

Cordless Stick Vacuum Cleaner

User Manual



VRT 94929 VV

VRT 94929 VI

EN | DE | FR | ES | RO | IT


PL | NL | SR | MK | SQ

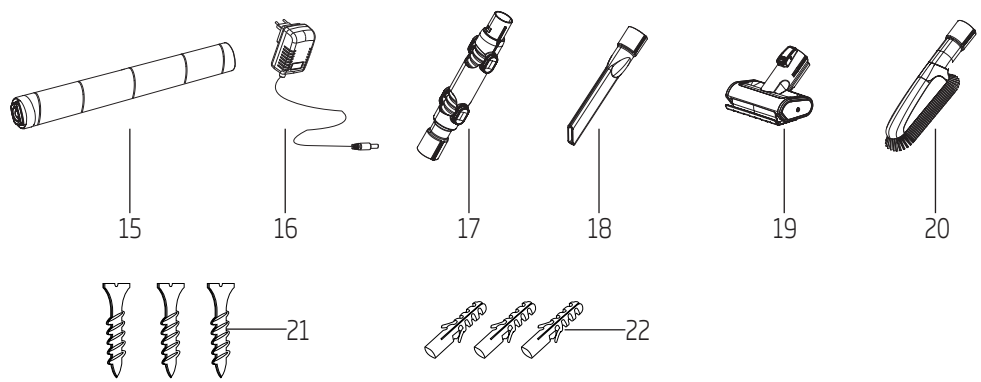
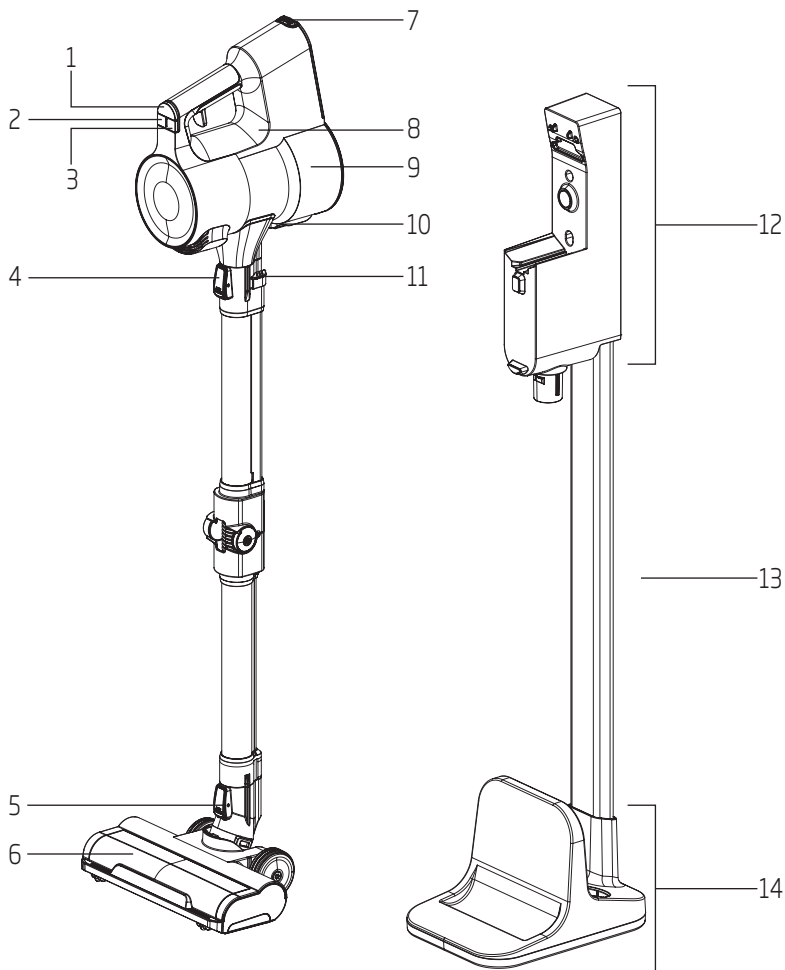
01M-8816513200-0920-04
01M-8816643200-0920-04

beko

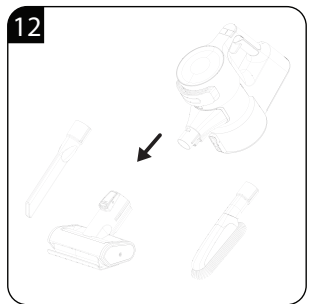
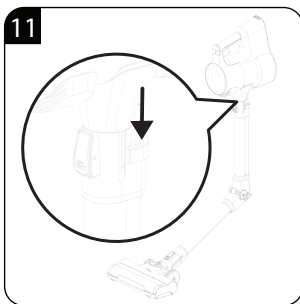
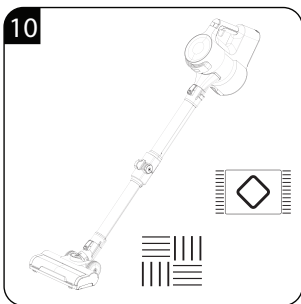
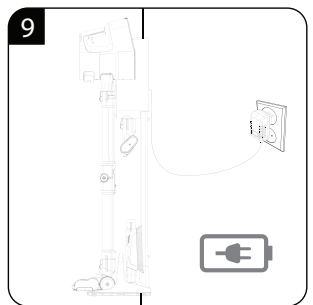
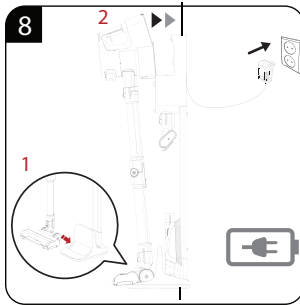
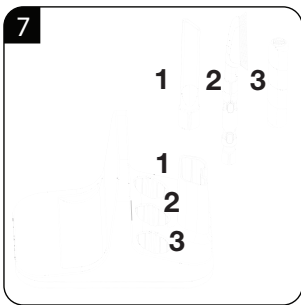
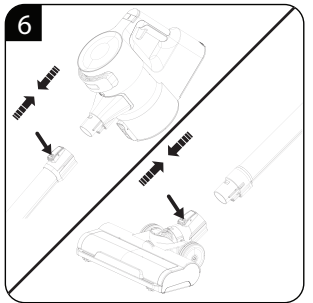
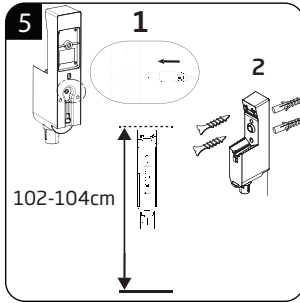
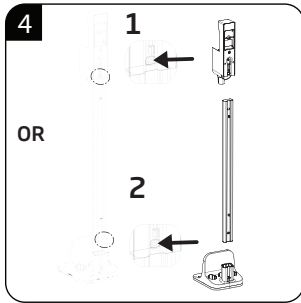
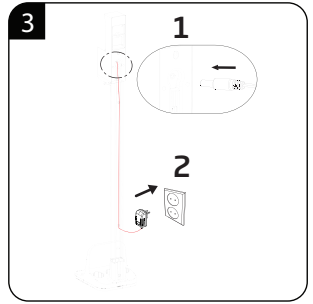
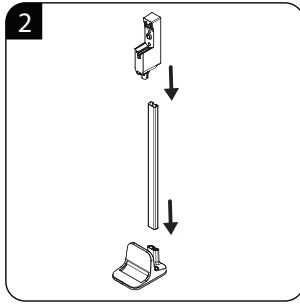
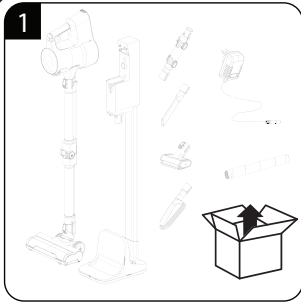
CONTENTS

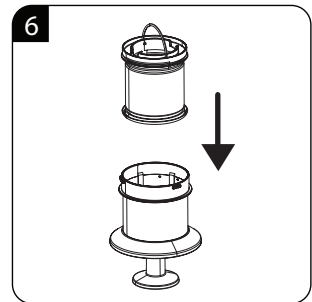
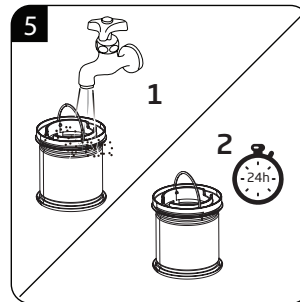
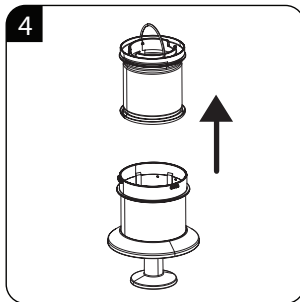
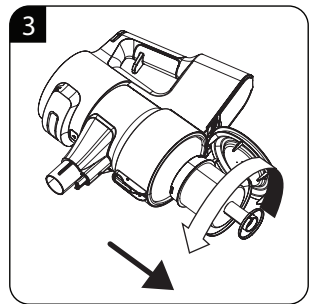
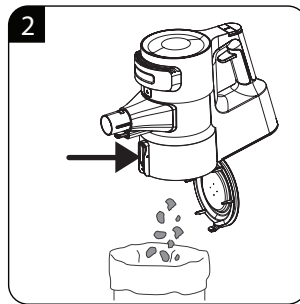
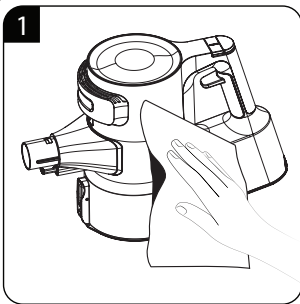
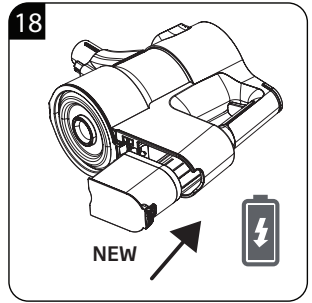
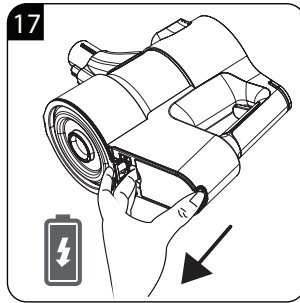
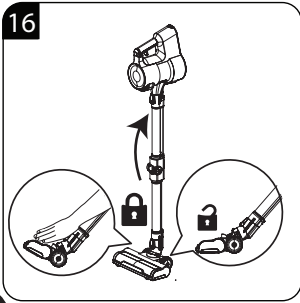
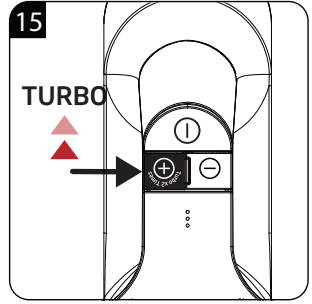
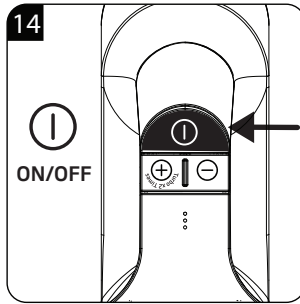
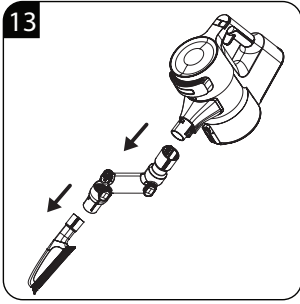
ENGLISH	07-17
DEUTSCH	18-27
FRANÇAIS	28-36
ESPAÑOL	37-47
ROMANIAN	48-58
ITALIANO	59-68
POLSKI	69-78
NEDERLANDS	79-87
SRPSKI	88-96
МАКЕДОНСКИ	97-105
SHQIP	106-114

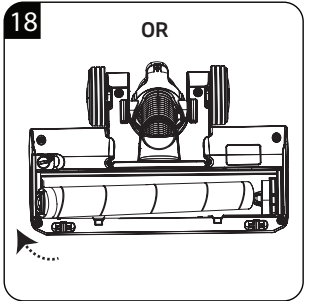
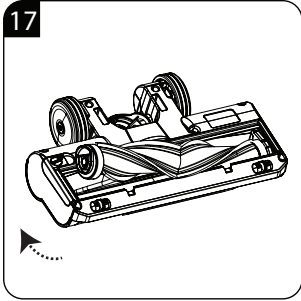
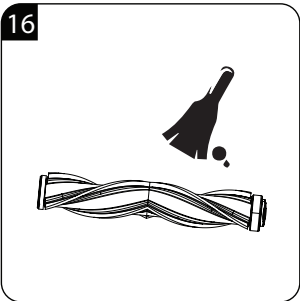
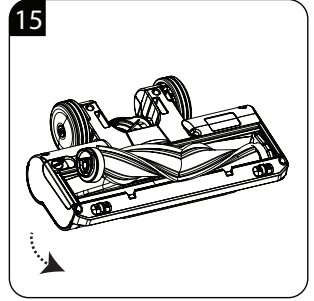
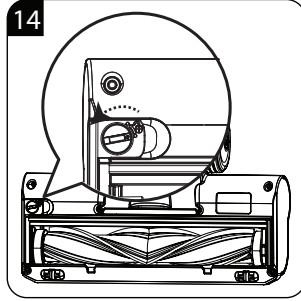
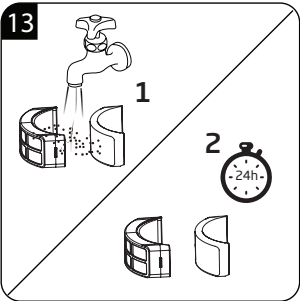
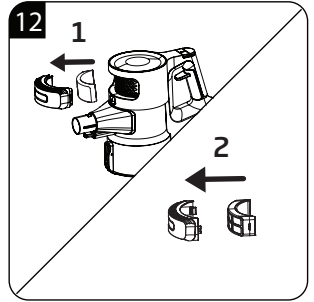
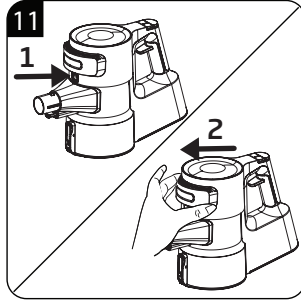
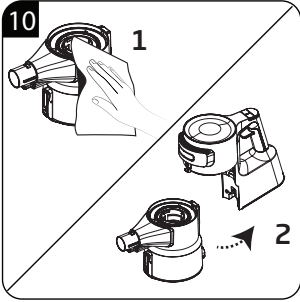
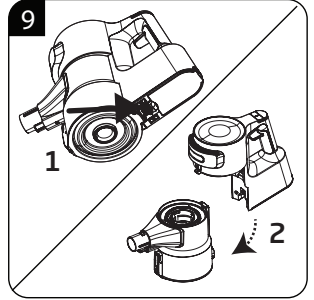
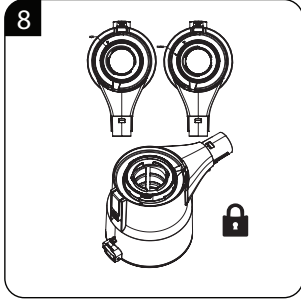
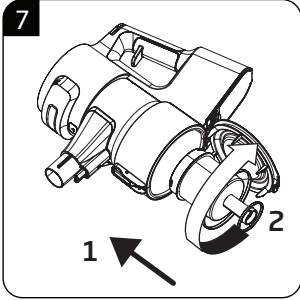




		
EN	OPERATION	CLEANING AND CARE
DE	BETRIEB	REINIGUNG UND PFLEGE
FR	FONCTIONNEMENT	NETTOYAGE ET ENTRETIEN
ES	FUNCIONAMIENTO	LIMPIEZA Y CUIDADOS
RO	UTILIZARE	CURĂȚAREA ȘI ÎNGRIJIREA
IT	UTILIZZO	PULIZIA E CURA
PL	OBSŁUGA	CZYSZCZENIE I KONSERWACJA
NL	BEDIENING	REINIGING EN ONDERHOUD
SRB	UKOVANJE	ČIŠĆENJE I ODRŽAVANJE
MK	РАБОТА	ЧИСТЕЊЕ И ОДРЖУВАЊЕ
ALBANIA (SQ)	FUNKSIONIMI	PASTRIMI DHE KUJDESI







Please read this manual first!

Dear Customer,

Thank you for selecting a Beko product. We hope that you get the best results from your appliance which has been manufactured with high quality and state-of-the-art technology. For this reason, please read this user manual and all other provided documents carefully before using the appliance and keep it as a reference for future use. If you hand over the appliance to someone else, give the user manual as well.

1. On/off button
2. Mode button +
3. Mode button -
4. Tube release button
5. Brush release button
6. Electrical turbo brush
7. Battery pack release button
8. Machine body
9. Dust cup
10. Dust cup release button
11. Foldable tube button
12. Charging station
13. Charging station tube
14. Charging station support
15. Hard floor roller
16. Power supply plug
17. Elbow
18. Crevice
19. Mini turbo brush
20. Soft brush
21. Screw
22. Wall plug

Follow the instructions by paying attention to all the information and warnings in the user manual.

Meanings of the symbols

Following symbols are used in various sections of this manual:



Important information and useful hints about usage.



WARNING: Warnings against dangerous situations concerning the security of life and property.



Protection class for electric shock.

Technical data

Rated input power : 450 W

Input :
100 - 240 V ~ 50-60Hz 0.8 A (max)

Output : 36 V  0.6A

Charging time : 4-5 hours

Running time max. power: 7 min.

Run time at medium power: 22 min

Running time min. power to up to:
45 min.

Technical and design modifications reserved.

The values which are declared in the markings affixed on your appliance or the other printed documents supplied with it represent the values which were obtained in the laboratories pursuant to the pertinent standards. These values may vary according to the usage of the appliance and ambient conditions.



This appliance has been produced in environmentally-friendly, state-of-the-art facilities.



This product does not contain PCB'S.

Parameter of External Power Supply

Manufacturer	:	
Dongguan Yinli Electronics Co.,Ltd		
Model Identifier	:	YLS0241A-E360060
Input Voltage	:	100-240V~
Input Frequency	:	50-60Hz
Input Current	:	0.8A
Output Voltage	:	36.0V
Output Current	:	0.6A
Output Power	:	21.6W
Average active efficiency	:	87.19%
Efficiency at low load(10%)	:	79.58%
No-load power consumption	:	0.09W

1 Important safety and environmental instructions

This section contains safety instructions that will help protect from risk of personal injury or property damage.

Failure to follow these instructions invalidates the granted warranty.

1.1 General safety

- This appliance complies with international safety standards.
- This appliance can be used by children aged from 8 years and above and persons with reduced physical, sensory or mental capabilities or lack of experience and knowledge if they have been given supervision or instruction concerning use of the appliance in a safe way and understand the hazards involved. Children shall not play with the appliance. Cleaning and user maintenance shall not be made by children without supervision.
- If the adapter or the appliance itself is damaged, do not use it. Contact an authorised service.
- Your mains power supply should comply with the information supplied on the rating plate of the appliance.
- Do not use the appliance with an extension cable.
- Prevent damage to the power cable by not squeezing, bending, or rubbing it on sharp edges.
- Do not touch the appliance or its plug when it is plugged if your hands are damp or wet.
- Do not pull the power cable when unplugging the appliance.
- Do not vacuum flammable materials and when vacuuming cigarette ash, make sure that it has cooled down.
- Do not vacuum water or other liquids.
- Protect the appliance from rain, humidity and heat sources.
- Never use the appliance in or near places where combustible or inflammable ambience or places are present.
- Unplug the appliance before cleaning and maintenance.
- Do not immerse the appliance or its power cable in water for cleaning.
- Do not attempt to dismantle the appliance.

1 Important safety and environmental instructions

- Use the original parts or parts recommended by the manufacturer only.
- Do not clean the particles such as cement, plaster and compressed paper in order to prevent the filter from being clogged and the motor being damaged.
- Use the appliance only with the adapter supplied with.
- Do not use the appliance without filters; otherwise it can get damaged.
- If you keep the packaging materials, store them out of the reach of children.
- This appliance is not intended for use by persons (including children) with reduced physical, sensory or mental capabilities, or lack of experience and knowledge, unless they have been given supervision or instruction concerning use of the appliance by a person responsible for their safety
- Children should be supervised to ensure that they do not play with the appliance
- The appliance is only to be used with the power supply unit provided with the appliance.
- The adapter must be removed from the socket-outlet and the battery pack must be removed from the appliance before cleaning or maintaining the appliance
- If the adapter is damaged, it must be replaced by the manufacturer or its agent or similarly qualified person in order to avoid hazard.
- Keep fingers, hair and loose clothing from moving parts and openings whilst using the vacuum cleaner
- The battery must be removed from the appliance before it is scrapped;
- The appliance must be disconnected from the supply mains when removing the battery;
- Please dispose of used batteries according to local laws and regulations.
- This appliance contains batteries that are only replaceable by skilled persons.
- **WARNING:** For the purposes of recharging the battery, only use the detachable supply unit YLS0241A-E360060 provided with this appliance.
- Please remove and insert the batteries according to UM.

1 Important safety and environmental instructions

- Rechargeable batteries are to be removed from the appliance before being charged;
- Different types of batteries or new and used batteries are not to be mixed.
- Batteries are to be inserted with the correct polarity.
- Exhausted batteries are to be removed from the appliance and safely disposed of.
- If the appliance is to be stored unused for a long period, the batteries should be removed.
- The supply terminals are not to be short-circuited.
- Only use with ZB1858 battery.
- The appliance is not to be used by persons (including children) with reduced physical, sensory or mental capabilities, or lack of experience and knowledge, unless they have been given supervision or instruction.
- Children being supervised not to play with the appliance.

2 Part assembling

2.1 Elbow (17)

The elbow is extension tools, one end is inserted into the suction part, the other end is connected with the accessories, which can clean corners or narrow spaces (7).

2.2 Crevice (18) and soft brush (20)

Push the round part of the accessory into the suction part until it clicks. Soft brush cleans your furniture without harming it (6-7).

2.3 Mini turbo brush (19)

Push the end of the Mini-brush into the suction part until it clicks.

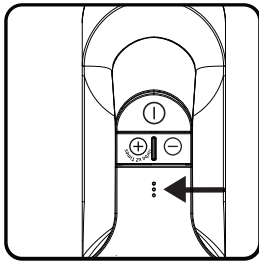
Remove it by pulling the buttons (6).

2.4 Hard floor roller (15)

Hard floor roller provides higher cleaning performance on parquet, tiles etc. (17)

3 Use

3.1 Charging Indicator



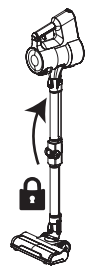
It indicates the battery charge status.

Working	Charging	Fully charged	Lower power
Persistent white light	Blinking white light	Persistent white light	Blinking red light

3.2 Charging station (12)

While charging the battery on the charging dock the charge indicator flashes white.

- When you receive this product, please use the charger provided by our company to recharge the battery for 3 hours (no need to charge it full) and the charging frequency should be every 3 months.
- Do not place the battery on the charging base for a very long time.
- When the battery is not in use for a long time or it is over-discharged, you may find the working time is reduced at the first few times. We recommend you fully charge the battery (usually 6 hours) and discharge it. Repeat this action two times.



- The product has the ability to stand in upright position with the locking mechanism of the brush. The floor must be level for this function to be used correctly (hard floor, parquet, etc.). If the product is not used and when it is to be stored, it must be kept on its charging station. The vacuum cleaner can stand in upright position (on surfaces such as hard floors, parquet, etc.) for short durations (2-3 minutes) thanks to the brush locking mechanism.

4 Information

4.1 Cleaning and care

Switch off and unplug the appliance, before cleaning it.



WARNING: Never use gasoline, solvent, abrasive cleaning agents, metal objects or hard brushes to clean the appliance.

4.2 Hepa filter

- In order to ensure the performance of the product, we recommend you clean regularly, and replace one after 3-6 months. (Depending on usage)



WARNING: Long-term no use, please keep the battery intact, stored in a cool dry place, and let the battery in the semi-state of charge. Not full or empty. Please enclose the battery with non-conductive material to avoid the metal touching the battery directly, causing the battery to be damaged.

4.3 Storage

- If you do not intend to use the appliance for a long time, store it carefully.
- Pull the appliance's plug out.
- Keep the appliance out of the reach of children.
- Long-term no use, please keep the battery intact, stored in a cool dry place, and let the battery in the semi-state of charge. Not full or empty.
- Please enclose the battery with non-conductive material to avoid the metal touching the battery directly, causing the battery to be damaged.

4.4 Handling and transportation

- During handling and transportation, carry the appliance in its original packaging. The packaging of the appliance protects it against physical damages.
- Do not place heavy loads on the appliance or on the packaging. The appliance may get damaged.
- Dropping the appliance may render it non-operational or cause permanent damage.

4.5 Compliance with the WEEE Directive and disposal of the waste product



This product complies with EU WEEE Directive (2012/19/EU). This product bears a classification symbol for waste electrical and electronic equipment (WEEE).

This symbol indicates that this product shall not be disposed with other household wastes at the end of its service life. Used device must be returned to official collection point for recycling of electrical and electronic devices. To find these collection systems please contact to your local authorities or retailer where the product was purchased. Each household performs important role in recovering and recycling of old appliance. Appropriate disposal of used appliance helps prevent potential negative consequences for the environment and human health.

4 Information

4.6 Information on waste batteries



This symbol on rechargeable batteries/batteries or on the packaging indicates that the rechargeable battery/battery may not be disposed of with regular household rubbish. For certain rechargeable batteries/batteries, this symbol may be supplemented by a chemical symbol. Symbols for mercury (Hg) or lead (Pb) are provided if the rechargeable batteries/batteries contain more than 0,0005 % mercury or more than 0,004 % lead.

Rechargeable batteries/batteries, including those which do not contain heavy metal, may not be disposed of with household waste. Always dispose of used batteries in accordance with local environmental regulations. Make enquiries about the applicable disposal regulations where you live.

4.7 Compliance with RoHS Directive

The product you have purchased complies with EU RoHS Directive (2011/65/EU). It does not contain harmful and prohibited materials specified in the Directive.

4.8 Package information



Packaging materials of the product are manufactured from recyclable materials in accordance with our National Environment Regulations. Do not dispose of the packaging materials together with the domestic or other wastes. Take them to the packaging material collection points designated by the local authorities.



For commissioning, general use and cleaning, please observe the instructions on pages 5-6-7 of this operating manual.

5 Troubleshooting

Common failure	Possible cause	Solutions
The vacuum doesn't work	Product is power off or battery is low	Please charge the product before use
	Product suction port is blocked.	Cleaning product suction mouth
Suction is too weak	Dust barrel & filter assembly is dusty	Clean the dustbin and filter material
	Rolling brush is wrapped around the hair and other objects	Clean roller brush
	Situation still remains	Please contact with our after sales team
Different motor operation sound	The aluminum tube is blocked	Clean up the obstacles
	Situation still remains	Please contact with our after sales team
Vacuum cleaner in trouble at work	Too many obstacles in the cleaning area	Manually remove obstacles
	Product suction port is blocked	Clean product suction mouth
	Situation still remains	Please contact with our after sales team
Product can not be charged	Battery pack and charger interface not connected well	Please check and contact well
	Charger or receptacle is not fully charged or loose	Check it and put away
	Situation still remains	Please contact with us
Common LED failure	Possible cause	Solutions
The red light flicker	Product is power off or battery is low	Please charge the product before use
The red light flash	Brush plugging and the main brush motor is working	Clean roller brush
	Overcharging current is too lager	Change the correct adapter
The red and white light trading flash when the discharge process	The battery pack has a problem	Please contact with our after sales team
The red and white light trading flash when the charge process	The battery pack is not installed well	1- Remove adapter 2- Installed the battery pack again 3- Insert adapter 4- Strictly follow the above steps

Product Guarantee

12 months breakdown and repair guarantee

Guarantor: **Beko plc, 1 Greenhill Crescent, Watford, Hertfordshire. WD18 8UF**

The guarantee does not in any way diminish your statutory or legal rights.

Your **appliance** has the benefit of our manufacturer's guarantee which covers the product for 12 months from the date of original purchase.

This gives you reassurance that if within that time, your **appliance** is proven to be defective because of either workmanship or materials, we will at our discretion either repair or replace your **appliance**.

The **appliance** must be correctly installed, located and operated in accordance with the instructions contained in the user manual. The guarantor disclaims any liability for accidental or consequential damage.

The Guarantee is subject to the following conditions:

- Documentary proof of the original purchase date is provided.
- The appliance has been installed and operated correctly and in accordance with our operating and maintenance instructions.
- The appliance is used only on the electricity supply on the rating plate.
- The appliance has only been used for normal domestic purposes.
- The appliance has not been altered, serviced, dismantled or otherwise interfered with by any person.
- The appliance is used in the United Kingdom or Republic of Ireland.
- Any parts removed during repair work or any product that has been replaced becomes our property.
- The guarantee is not transferrable if the product is resold.

The Guarantee does not cover:

- Transit, installation or delivery damage.
- Accidental damage.
- Misuse or abuse.
- Replacement of any consumable item or accessories. These include but are not limited to: plugs, cables, light bulbs, knobs, filters and flaps.
- Repairs or replacements required as a result of unauthorised repairs or inexperienced installation that fails to meet the requirements contained in the user guide or instruction book.
- Repairs to products used in commercial or non-residential household premises.

How to obtain after sales service, help or general advice

Please keep your purchase receipt or other proof of purchase in a safe place as you will need to show us this document if your product requires attention within the guarantee period.

Please also record your product details below, which will allow you to access our services more quickly and help us identify your product. The model number is printed on the front of the user guide and the serial and model number is shown on your products rating plate.

Model number	Serial number	Purchased from	Date of purchase

Please call our UK based Customer Service department if you need help or advice from us:

United Kingdom and Northern Ireland:

0333 207 9710

Republic of Ireland:

01 862 3411

You can also contact us through our website:

www.beko.co.uk

Bitte lesen Sie zunächst diese Anleitung!

Sehr geehrte Kundin, sehr geehrter Kunde,

Vielen Dank, dass Sie sich für ein Beko-Produkt entschieden haben. Wir hoffen, dass Sie mit diesem Produkt, das mit den höchsten Qualitätsanforderungen und der modernsten Technologie hergestellt wurde, beste Ergebnisse erzielen. Bitte lesen Sie die gesamte Bedienungsanleitung und alle anderen Begleitdokumente aufmerksam, bevor Sie das Produkt verwenden; bewahren Sie sie zum künftigen Nachschlagen sicher auf. Wenn Sie das Produkt an einen Dritten weitergeben, händigen Sie bitte auch diese Anleitung aus. Befolgen Sie alle Warnhinweise und Informationen in dieser Anleitung.

Bedeutung der Symbole

Folgende Symbole werden in den verschiedenen Abschnitten dieser Anleitung verwendet:



Wichtige Informationen und nützliche Tipps zur Verwendung.



WARNUNG: Warnhinweise zu gefährlichen Situationen im Hinblick auf die Sicherheit von Leib, Leben und Eigentum.



Schutzklasse gegen Stromschläge.

1. Ein-/Austaste
2. Modustaste +
3. Modustaste -
4. Rohrfreigabetaste
5. Bürstenfreigabetaste
6. Elektrische Turbobürste
7. Akkufreigabetaste
8. Gerätegehäuse
9. Auffangbehälter
10. Auffangbehälter-Freigabetaste
11. Rohrklapptaste
12. Ladestation
13. Rohr der Ladestation
14. Stütze der Ladestation
15. Hartbodenrolle
16. Netzstecker
17. Winkel
18. Fugendüse
19. Mini-Turbobürste
20. Weiche Bürste
21. Schraube
22. Dübel

Technische Daten

Nenneingangsleistung	: 450 W
Eingang	:
	100 - 240 V \sim , 50-60 Hz, 0,8 A (max.)
Leistung	: 36 V --- 0,6 A
Ladezeit	: 4-5 Stunden
Laufzeit bei max. Leistung	: 7 min.
Laufzeit bei mittlerer Leistung	: 22 Min.
Laufzeit bei min. Leistung bis	: 45Min

Technische und optische Änderungen vorbehalten.

Die am Gerät oder in der Dokumentation angegebenen Werte wurden nach maßgeblichen Standards unter Laborbedingungen ermittelt. Diese Werte können je nach Geräteinsatz und Umgebungsbedingungen variieren. Parameter der externen Stromversorgung

Hersteller: Dongguan Yinli Electronics Co.,Ltd

Modellidentifikator: YLS0241A-E360060

Eingangsspannung: 100-240 V \sim

Eingangsfrequenz: 50-60 Hz

Eingangsstrom: 0.8 A

Ausgangsspannung: 36.0V

Ausgangsstrom: 0.6A

Ausgangsleistung: 21.6W

Durchschnittliche Wirkeffizienz: 87.19%

Effizienz bei geringer Last (10 %): 79.58%

Leistungsaufnahme ohne Last: 0.09W



Dieses Produkt wurde in umweltfreundlichen, hochmodernen Einrichtungen hergestellt

Das Gerät erfüllt die Vorgaben der WEEE-Richtlinie.



Es enthält kein PCB.

1 Wichtige Hinweise zu Sicherheit und Umwelt

Dieser Abschnitt enthält Sicherheitsanweisungen, die beim Schutz vor Personen- und Sachschäden helfen.

Bei Nichtbeachtung dieser Anweisungen erlischt die gewährte Garantie.

1.1 Allgemeine Sicherheit

- Dieses Gerät erfüllt internationale Sicherheitsstandards.
- Das Gerät darf nur dann von Kindern ab 8 Jahren und Personen mit körperlichen oder geistigen Einschränkungen genutzt werden, wenn diese beaufsichtigt werden oder gründlich über den richtigen und sicheren Umgang mit dem Gerät aufgeklärt wurden, sich sämtlicher möglicher Gefahren bewusst sind. Kinder dürfen nicht mit dem Gerät spielen. Reinigung und Benutzerwartung dürfen von Kindern nicht ohne Aufsicht durchgeführt werden.
- Verwenden Sie das Gerät nicht, falls Netzteil oder Gerät selbst beschädigt sind. Wenden Sie sich dann an einen autorisierten Serviceanbieter.
- Die Stromversorgung muss mit den Angaben am Typenschild des Gerätes übereinstimmen.
- Das Gerät nicht mit einem Verlängerungskabel verwenden.
- Schäden am Netzkabel vermeiden, dieses nicht quetschen, knicken oder über scharfe Kanten ziehen.
- Gerät oder eingesteckten Netzstecker nicht mit feuchten oder gar nassen Händen berühren.
- Beim Trennen des Gerätes nicht am Netzkabel selbst ziehen.
- Keine brennbaren Materialien aufsaugen; Zigarettenasche nur dann aufsaugen, wenn diese definitiv kalt ist.
- Saugen Sie weder Wasser noch andere Flüssigkeiten auf.
- Gerät vor Regen, Feuchtigkeit und Wärmequellen schützen.

1 Wichtige Hinweise zu Sicherheit und Umwelt

- Gerät niemals an oder in der Nähe von Stellen benutzen, an denen sich leicht brennbare oder gar explosive Materialien befinden.
- Vor Reinigung und Wartung den Netzstecker ziehen.
- Tauchen Sie zur Reinigung weder das Gerät noch sein Netzkabel in Wasser.
- Nicht versuchen, das Gerät zu demontieren.
- Nur Originalteile und vom Hersteller empfohlene Teile verwenden.
- Saugen Sie keine Partikel, wie Zement, Gips und komprimiertes Papier auf. Diese könnten den Filter verstopfen und den Motor schädigen.
- Verwenden Sie das Gerät nur mit dem mitgelieferten Netzteil.
- Gerät nicht ohne Filter verwenden; andernfalls können Schäden auftreten.
- Falls Sie die Verpackungsmaterialien aufheben möchten, bewahren Sie sie außerhalb der Reichweite von Kindern auf.
- Dieses Gerät ist nicht zur Nutzung durch Personen (einschließlich Kindern) vorgesehen, die über reduzierte körperliche Eignung, Wahrnehmung oder geistige Fähigkeiten, Mangel an Erfahrung und Wissen verfügen, sofern diese Personen nicht von einer verantwortlichen Person beaufsichtigt oder in der Verwendung des Gerätes unterwiesen wurden.
- Kinder sollten soweit beaufsichtigt werden, dass sie nicht mit dem Gerät spielen.
- Das Gerät darf nur mit dem mitgelieferten Netzteil verwendet werden.
- Vor Reinigung oder Wartung des Gerätes muss das Netzteil aus der Steckdose gezogen und muss der Akku aus dem Gerät entfernt werden.
- Falls das Netzteil beschädigt ist, muss es zur Vermeidung von Gefahren vom Hersteller, seinem Kundencenter oder vergleichbar qualifizierten Personen ersetzt werden.

1 Wichtige Hinweise zu Sicherheit und Umwelt

- Halten Sie während der Benutzung des Staubsaugers Finger, Haare und lose Kleidungsstücke von beweglichen Teilen und Öffnungen fern.
- Der Akku muss vor der Verschrottung aus dem Gerät entfernt werden.
- Das Gerät muss zum Entfernen des Akkus vom Netzstrom getrennt sein.
- Bitte entsorgen Sie verbrauchte Akkus entsprechend den lokalen Gesetzen und Richtlinien.
- Dieses Gerät enthält Akkus, die nur von sachkundigen Personen ersetzt werden dürfen.
- **WARNUNG:** Verwenden Sie zur Aufladung des Akkus nur das abnehmbare mit diesem Gerät gelieferte Netzteil YLS0241A-E360060.
- Bitte beachten Sie zum Entfernen und Einlegen der Akkus die Bedienungsanleitung.
- Akkus müssen vor der Aufladung aus dem Gerät entfernt werden.
- Kombinieren Sie nicht verschiedene Akkutypen oder neue und gebrauchte Akkus.
- Akkus müssen richtig herum eingelegt werden.
- Erschöpfte Akkus müssen aus dem Gerät entfernt und sachgemäß entsorgt werden.
- Falls das Gerät lange Zeit nicht verwendet wird, sollten die Akkus entfernt werden.
- Die Versorgungsanschlüsse dürfen nicht kurzgeschlossen werden.
- Nur mit ZB1858 -Batterie verwenden.
- Dieses Gerät ist nicht für die Benutzung durch Personen (einschließlich Kindern) vorgesehen, die eingeschränkte körperliche oder geistige Fähigkeiten oder einen Mangel an Erfahrung und Wissen aufweisen, sofern sie nicht beaufsichtigt werden oder unterwiesen wurden.
- Kinder müssen beaufsichtigt werden, damit sie nicht mit dem Gerät spielen.

2 Montieren der Teile

2.1 Winkel (17)

Der Winkel ist ein Erweiterungszubehör. Stecken Sie ein Ende in die Saugöffnung und das andere Ende in das Zubehör (7), mit dem Sie Ecken und schmale Stellen besser erreichen.

2.2 Fugendüse (18) und weiche Bürste (20)

Drücken Sie den runden Abschnitt des Zubehörs in den Saugabschnitt, bis er einrastet. Die weiche Bürste reinigt Ihre Möbel, ohne sie zu beschädigen (6-7).

2.3 Mini-Turbobürste (19)

Drücken Sie das Ende der Mini-Bürste in den Saugabschnitt, bis es einrastet.

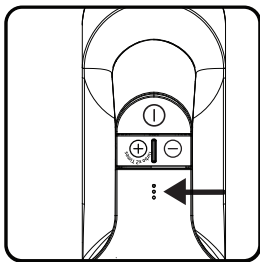
Entfernen Sie sie durch Ziehen der Tasten (6).

2.4 Hartbodenrolle (15)

Die Hartbodenrolle bietet eine bessere Reinigungsleistung auf Parkett, Fliesen usw. (17)

3 Verwendung

3.1 Ladeanzeige



Zeigt den Ladestand des Akkus an.

Betrieb	Wird geladen	Vollständig aufgeladen	Geringe Leistung
Weißes Licht leuchtet	Weißes Licht blinkt	Weißes Licht leuchtet	Rotes Licht blinkt

3.2 Ladestation (12)

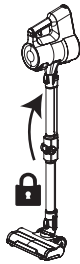
Beim Aufladen des Akkus im Ladedock blinkt die Ladeanzeige weiß.



- Laden Sie den Akku nach Erhalt des Geräts zunächst mit dem mitgelieferten Ladegerät 3 Stunden lang auf (keine vollständige Aufladung erforderlich). Anschließend sollte der Akku alle 3 Monate geladen werden.
- Belassen Sie den Akku nicht lange Zeit in der Ladestation.
- Wenn der Akku lange Zeit nicht verwendet wurde oder tiefentladen ist, ist die Betriebszeit bei den ersten Einsätzen möglicherweise reduziert. Sie sollten den Akku dann vollständig aufladen (üblicherweise 6 Stunden) und komplett entladen. Wiederholen Sie diesen Vorgang zweimal.

3 Verwendung

- Das Gerät kann mit Hilfe des Verriegelungsmechanismus der Bürste aufrecht gestellt werden. Dazu muss der Boden eben sein (Hartboden, Parkett, etc.). Bei Nichtverwendung und Lagerung sollte das Gerät auf seiner Ladestation aufbewahrt werden. Der Staubsauger kann dank des Verriegelungsmechanismus der Bürste für kurze Zeit (2-3 Minuten) aufrecht (auf Oberflächen wie harten Böden, Parkett usw.) stehen.



4 Informationen

4.1 Reinigung und Pflege

Schalten Sie das Gerät vor seiner Reinigung ab und ziehen Sie den Netzstecker.



WARNUNG: Reinigen Sie das Gerät niemals mit Benzin, Lösungsmitteln, Scheuermitteln, Metallgegenständen, harten Bürsten oder ähnlichen Mitteln.

4.2 Hepa-Filter

- Zur Gewährleistung der vollen Geräteleistung empfehlen wir, den Hepa-Filter regelmäßig zu reinigen und alle 3 bis 6 Monate auszuwechseln. (Je nach Zustand)



WARNUNG: Bei langfristiger Nichtbenutzung an einem kühlen, trockenen Ort aufbewahren, wobei der Akku mindestens zur Hälfte geladen sein sollte. Andernfalls könnte er beschädigt werden. Weder vollständig aufgeladen noch komplett entladen lagern. Bitte bewahren Sie den Akku nicht zusammen mit leitfähigen Materialien auf. Wenn Metallteile direkt mit dem Akku in Berührung kommen, könnte der Akku durch Kurzschluss beschädigt werden.

4.3 Entsorgung von Altgeräten

Dieses Produkt erfüllt die Vorgaben der EU-WEEE-Direktive (2012/19/EU). Das Produkt wurde mit einem Klassifizierungssymbol für elektrische und elektronische Altgeräte (WEEE) gekennzeichnet.



Dieses Symbol zeigt an, dass dieses Gerät am Ende seiner Einsatzzeit nicht mit anderem Hausmüll entsorgt werden darf. Altgeräte müssen an offizielle Sammelstellen zum Recycling elektrischer und elektronischer Geräte abgegeben

4 Informationen

werden. Nähere Angaben zu diesen Sammelstellen erhalten Sie von Ihrer Stadtverwaltung oder dem Händler, bei dem Sie das Gerät erworben haben. Der Beitrag jedes Haushalts zum Umweltschutz ist wichtig. Eine angemessene Entsorgung von Altgeräten hilft bei der Verhinderung negativer Auswirkungen auf Umwelt und menschliche Gesundheit.

4.4 Einhaltung von RoHS-Vorgaben

Das von Ihnen erworbene Produkt erfüllt die Vorgaben der EU-RoHS Richtlinie (2011/65/EU). Es enthält keine in der Richtlinie angegebenen gefährlichen und unzulässigen Materialien.

4.5 Informationen zur Verpackung



Die Verpackung des Produkts wurde gemäß unserer nationalen Gesetzgebung aus recyclingfähigen Materialien hergestellt. Entsorgen Sie die Verpackungsmaterialien nicht mit dem Hausmüll oder anderem Müll. Bringen Sie sie zu einer von der Stadtverwaltung bereitgestellten Sammelstelle für Verpackungsmaterial.

4.6 Informationen zur Entsorgung von Akkus/Batterien



Dieses Symbol an Akkus/Batterien oder an der Verpackung zeigt an, dass der Akku oder die Batterie nicht über den herkömmlichen Hausmüll entsorgt werden darf. Bei bestimmten Akkus/Batterien wird dieses Symbol möglicherweise durch ein chemisches Zeichen ergänzt. Zeichen für Quecksilber (Hg) oder Blei (Pb) werden angezeigt, wenn die Akkus/Batterien mehr als 0,0005 % Quecksilber oder mehr als 0,004 % Blei enthalten. Akkus/Batterien, auch solche, die kein Schwermetall enthalten, dürfen nicht im Hausmüll

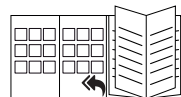
entsorgt werden. Entsorgen Sie verbrauchte Akkus/Batterien immer in Übereinstimmung mit den örtlichen Umweltrichtlinien. Informieren Sie sich bei Ihrer Stadtverwaltung nach den jeweiligen Entsorgungsrichtlinien.

4.7 Aufbewahrung

- Lagern Sie das Gerät sorgfältig, wenn Sie es längere Zeit nicht benutzen sollten.
- Sorgen Sie dafür, dass das Gerät vom Stromnetz getrennt, gänzlich abgekühlt und trocken ist.
- Lagern Sie das Gerät an einem kühlen, trockenen Ort.
- Halten Sie das Gerät von Kindern fern.
- Bei langfristiger Nichtbenutzung an einem kühlen, trockenen Ort aufbewahren, wobei der Akku mindestens zur Hälfte geladen sein sollte. Andernfalls könnte er beschädigt werden. Weder vollständig aufgeladen noch komplett entladen lagern.
- Bitte bewahren Sie den Akku nicht zusammen mit leitfähigen Materialien auf. Wenn Metallteile direkt mit dem Akku in Berührung kommen, könnte der Akku durch Kurzschluss beschädigt werden

4.8 Transport

- Transportieren Sie das Gerät in seiner Originalverpackung. Die Verpackung schützt das Gerät vor Beschädigungen.
- Legen Sie keine schweren Gegenstände auf dem Gerät oder der Verpackung ab. Andernfalls könnte das Gerät beschädigt werden.
- Falls das Gerät herunterfällt, ist es möglicherweise nicht mehr funktionsfähig oder weist dauerhafte Schäden auf.



Bitte beachten Sie zur Inbetriebnahme, allgemeinen Verwendung und Reinigung die Hinweise auf den Seiten 5-6-7 der Bedienungsanleitung.

5 Problemlösung

Fehler	Mögliche Ursache	Lösungen
Staubsauger funktioniert nicht	Gerät ist ausgeschaltet oder der Akkustand ist gering	Bitte laden Sie das Gerät vor dem Einsatz auf
	Saugöffnung des Gerätes ist blockiert	Saugöffnung des Produktes reinigen
Saugleistung ist zu gering	Auffangbehälter und Filterbaugruppe sind staubig	Auffangbehälter und Filtermaterial reinigen
	Haare und andere Gegenstände haben sich um die Rollbürste gewickelt	Rollbürste reinigen
	Problem lässt sich nicht beheben	Kontaktieren Sie unseren Kundendienst
Ungewöhnliche Motorbetriebsgeräusche	Aluminiumrohr ist verstopft	Verstopfung entfernen
	Problem lässt sich nicht beheben	Kontaktieren Sie unseren Kundendienst
Staubsauger funktioniert nicht richtig	Zu viele Hindernisse im zu saugenden Bereich	Hindernisse von Hand entfernen
	Saugöffnung des Gerätes ist blockiert	Saugöffnung des Geräts reinigen
	Problem lässt sich nicht beheben	Kontaktieren Sie unseren Kundendienst
Produkt kann nicht aufgeladen werden	Akku und Ladegerät sind nicht richtig verbunden	Bitte prüfen und guten Kontakt herstellen
	Ladegerät oder Steckdose funktionieren nicht oder sind locker	Prüfen und ggf. außer Betrieb nehmen
	Problem lässt sich nicht beheben	Nehmen Sie Kontakt mit uns auf
Allgemeiner LED-Fehler	Mögliche Ursache	Lösungen
Rotes Licht blinkt schnell	Gerät ist ausgeschaltet oder der Akkustand ist gering	Bitte laden Sie das Gerät vor dem Einsatz auf
Rotes Licht blinkt langsam	Bürste eingesteckt und Hauptbürstenmotor in Betrieb	Rollbürste reinigen
	Ladestrom nicht korrekt	Richtiges Netzteil anschließen
Rotes und weißes Licht blinken beim Entladen	Akku ist fehlerhaft	Kontaktieren Sie unseren Kundendienst
Rotes und weißes Licht blinken beim Aufladen	Akku ist nicht richtig installiert	1 - Netzteil trennen 2 - Akku erneut einsetzen 3 - Netzteil anschließen 4 - Die obigen Schritte genau befolgen

Vertriebsniederlassung Österreich für Beko Kleingeräte:

Elektra Bregenz AG
Pfarrgasse 77
A-1230, Wien



<http://at.beko.com/>

Sehr geehrter Kunde!

Vielen Dank, dass Sie sich für ein Qualitätsprodukt von Beko entschieden haben!

Unsere Geräte werden nach den neuesten technischen Erkenntnissen entwickelt, produziert und geprüft.

Sollte trotzdem eine Störung auftreten, so bitten wir Sie, sich mit Ihrem **Fachhändler** bzw. mit der Verkaufsstelle in Verbindung zu setzen.

Gewährleistungsansprüche können **nicht direkt bei Beko** geltend gemacht werden! Behalten Sie deshalb immer Ihre Verkaufsquittung als Beleg.

Wir danken Ihnen, für Ihr Vertrauen und wünschen Ihnen viel Freude mit Ihrem neuen Produkt!

Avant toute chose, veuillez lire ce manuel d'utilisation !

Chères clientes, Chers clients,
Merci d'avoir choisi un produit Beko. Nous espérons que ce produit, fabriqué dans des installations modernes et soumis à un processus de contrôle qualité rigoureux, vous offre les meilleures performances possibles. C'est pourquoi nous vous recommandons, avant d'utiliser ce produit, de lire attentivement ce manuel et tous les autres documents fournis et de les conserver soigneusement pour toute consultation future. Si vous confiez le produit à quelqu'un d'autre, n'oubliez pas de lui remettre également le manuel d'utilisation. Veuillez à bien respecter les consignes et les instructions figurant dans le manuel d'utilisation.

Signification des symboles

Les symboles suivants sont repris tout au long de ce manuel:



Informations importantes et conseils utiles concernant l'utilisation de l'appareil.



AVERTISSEMENT : Avertissement sur les situations dangereuses concernant la sécurité des biens et des personnes.



Classe de protection contre les chocs électriques.

1. Bouton On/Off
2. Bouton Puissance +
3. Bouton Puissance -
4. Bouton de déverrouillage du tube
5. Bouton de déverrouillage de la brosse
6. Turbo brosse électrique
7. Bouton de déverrouillage de la batterie
8. Corps de la machine
9. Bac à poussière
10. Bouton de déverrouillage du bac à poussière
11. Bouton de tube télescopique
12. Station de chargement
13. Tube de la station de chargement
14. Support de la station de chargement
15. Rouleau spécial parquets et sols durs
16. Fiche d'alimentation électrique
17. Extension coudée
18. Suceur
19. Mini Turbo brosse
20. Brosse à poussière souple
21. Vis
22. Prise murale

Données techniques

Puissance d'entrée

nominale : 450 W

Entrée :

100 - 240 V~ 50-60 Hz 0,8 A (max)

Sortie : 36 V \square 0,6 A

Durée de charge : 4-5 heures

Durée de fonctionnement à la puissance maximale : 7 min

Durée de fonctionnement à puissance moyenne : 22 min

Durée de fonctionnement à puissance minimale : 45 min.

Modifications techniques et conceptuelles réservées.

Les valeurs indiquées sur les inscriptions apposées sur votre appareil ou les autres documents fournis avec le produit sont des valeurs obtenues en conditions de laboratoire, conformément aux normes en vigueur. Ces valeurs peuvent varier en fonction de l'utilisation de l'appareil et des conditions ambiantes.

Paramètre de l'alimentation électrique externe

Fabricant : Dongguan Yinli Electronics Co.,Ltd

Identificateur de modèle : YLS0241A-E360060

Tension d'entrée : 100-240 V~

Fréquence d'entrée : 50-60 Hz

Courant d'entrée : 0.8 A

Tension de sortie : 36.0 V

Courant de sortie : 0.6 A

Puissance de sortie : 21.6 W

Rendement actif moyen : 87.19%

Rendement à faible charge (10 %) : 79.58%

Consommation d'énergie à vide : 0.09W



Ce produit a été fabriqué dans des usines écologiques et modernes.

Conforme à la Directive DEEE.



Ne contient pas de PCB.

1 Instructions importantes en matière de sécurité et d'environnement

Ce chapitre contient les instructions de sécurité qui vous aideront à éviter les risques de blessures corporelles ou de dégâts matériels. Le non-respect de ces instructions entraînera l'annulation de toute garantie.

1.1 Consignes générales de sécurité

- Cet appareil est conforme aux normes internationales de sécurité.
- Cet appareil peut être utilisé par des enfants de 8 ans minimum, des personnes à capacités physiques, sensorielles ou mentales réduites et des personnes manquant d'expérience ou de connaissances en la matière, à condition qu'ils soient supervisés ou aient été instruits sur le maniement sécurisé de l'appareil et qu'ils aient pleinement conscience des risques encourus. Les enfants ne doivent pas jouer avec l'appareil. Le nettoyage et l'entretien de l'appareil ne doivent pas être effectués par des enfants sans surveillance.
- Si l'adaptateur ou l'appareil est endommagé, ne pas l'utiliser. Contacter un service agréé.
- Assurez-vous que votre source d'alimentation électrique est conforme aux informations spécifiées sur la plaque signalétique de votre appareil.
- N'utilisez pas de rallonge.
- Pour éviter d'endommager le câble d'alimentation, évitez de l'aplatir, de le plier ou de le frotter contre des bords coupants.
- Si l'appareil est branché ne touchez pas la prise secteur avec les mains humides ou mouillées.
- Ne tirez pas sur le cordon d'alimentation de l'appareil pour le débrancher.
- N'aspirez jamais de substances inflammables ni de cendres chaudes.
- N'utilisez pas l'aspirateur pour l'eau ou tout autre liquide.
- Tenir l'appareil à l'écart de la pluie, de l'humidité et des sources de chaleur.
- N'utilisez pas l'appareil à proximité ou autour des environnements ou matières explosives ou inflammables.
- Veillez à toujours débrancher l'appareil avant de le nettoyer.

1 Instructions importantes en matière de sécurité et d'environnement

- Ne jamais introduire l'appareil ou le câble d'alimentation dans l'eau ou tout autre liquide.
- N'essayez pas de démonter l'appareil.
- Utilisez uniquement des pièces d'origine ou des pièces recommandées par le fabricant.
- Ne nettoyez pas les particules comme le ciment, le plâtre et le papier compressé afin d'éviter de boucher le filtre et d'endommager le moteur.
- Utilisez l'appareil uniquement avec l'adaptateur fourni.
- N'utilisez pas l'appareil sans filtre.
- Si vous conservez les matériaux d'emballage, tenez-les hors de la portée des enfants.
- Ce produit ne doit pas être utilisé par des personnes (y compris des enfants) dont les capacités physiques, sensorielles ou mentales sont réduites, ou manquant d'expérience ou de connaissances, à moins qu'elles ne soient supervisées ou instruites concernant l'utilisation de l'appareil par une personne responsable de leur sécurité.
- Les enfants doivent toujours être surveillés pour s'assurer qu'ils ne jouent pas avec l'appareil.
- Utiliser l'appareil uniquement avec le bloc d'alimentation fourni avec l'appareil.
- L'adaptateur doit être débranché de la prise électrique et le bloc de batteries retiré de l'appareil avant le nettoyage et l'entretien de l'appareil.
- Si l'adaptateur est endommagé, il doit être remplacé par le fabricant, son réparateur agréé ou une personne de qualification similaire afin d'éviter tout danger.
- Maintenir les doigts, les cheveux et les vêtements amples à distance des pièces en mouvement et des orifices pendant l'utilisation de l'aspirateur
- Retirer la batterie de l'appareil avant de le jeter ;
- Débrancher l'appareil de l'alimentation électrique pour retirer la batterie ;
- Éliminer les batteries usagées dans le respect des lois et réglementations locales.

1 Instructions importantes en matière de sécurité et d'environnement

- Cet appareil contient des batteries que seules des personnes compétentes peuvent remplacer.
- **AVERTISSEMENT** : Utiliser uniquement le bloc d'alimentation séparé YLS0241A-E360060 fourni avec l'appareil pour recharger la batterie.
- Retirer et insérer les batteries conformément au manuel de l'utilisateur.
- Ne pas mélanger les batteries de types différents ou des batteries neuves avec des batteries usées.
- Insérer les batteries en respectant la polarité
- Les batteries en fin de vie doivent être retirées de l'appareil et éliminées en toute sécurité.
- Si l'appareil reste inutilisé pendant une période prolongée, il convient de retirer les batteries.
- Ne court-circuiter en aucun cas les bornes d'alimentation.
- N'utilisez qu'avec une batterie ZB1858.
- l'appareil ne doit pas être utilisé par des personnes (y compris des enfants) dont les capacités physiques, sensorielles ou mentales sont réduites, ou manquant d'expérience ou de connaissances, à moins qu'elles soient sous supervision ou aient reçu une instruction.
- les enfants doivent être surveillés pour s'assurer qu'ils ne jouent pas avec l'appareil.

2 Assemblage

2.1 Extension coudée (17)

Insérez une extrémité de l'extension coudée dans le port d'aspiration et connectez l'autre extrémité à l'un des accessoires. Cette extension est parfaite pour nettoyer les recoins en hauteur, les rideaux ou le dessus des meubles hauts.

2.2 Suceur (18) et brosse à poussière souple

Insérez l'accessoire à l'extrémité du tube d'aspiration ou à l'extrémité de l'aspirateur à main jusqu'à entendre un clic.

La brosse à poussière souple vous permet de nettoyer la poussière des meubles sans les abîmer.

Le suceur vous permet de nettoyer les fentes de vos fauteuils et canapés, ou autres endroits étroits et difficiles d'accès.

2.3 Mini Turbo brosse (19)

Insérez la mini Turbo brosse à l'extrémité du tube d'aspiration ou à l'extrémité de l'aspirateur à main jusqu'à entendre un clic.

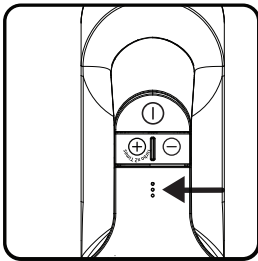
La mini Turbo brosse est très pratique pour nettoyer en profondeur les canapés et fauteuils et pour en éliminer les poils d'animaux domestiques.

2.4 Rouleau spécial parquets et sols durs (15)

Le rouleau spécial parquets et sols durs assure un nettoyage délicat et efficace de vos sols parquets, carrelage etc.

3 Utilisation

3.1 Indicateur de charge



Il indique l'état de charge de la batterie.

En fonctionnement	Charge en cours	Totalement chargé	Batterie faible
Voyant blanc continu	Voyant blanc clignotant	Voyant blanc continu	Voyant rouge clignotant

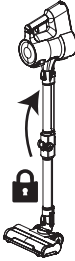
3.2 Station de charge (12)

Pendant le chargement de la batterie sur la station d'accueil, l'indicateur de charge clignote en blanc.



- À la réception du produit, veuillez utiliser le chargeur fourni par notre société pour recharger la batterie pendant 3 heures (pas besoin de la charger totalement) et la fréquence de charge devrait être tous les 3 mois.
- Ne pas placer la batterie sur la station de charge pour une durée prolongée.
- Si la batterie n'est pas utilisée pendant une période prolongée ou si elle est excessivement déchargée, vous constaterez que la durée de fonctionnement est réduite les premières utilisations suivantes. Nous vous recommandons de totalement charger la batterie (6 heures habituellement) et de la décharger. Répéter cette action deux fois.

3 Utilisation

-  Le produit peut tenir en position verticale grâce au mécanisme de verrouillage de la brosse. Le sol doit être plat pour que cette fonction puisse être utilisée correctement (sol dur, parquet, etc.). Lorsque le produit n'est pas en cours d'utilisation et lorsqu'il est stocké, il doit être conservé sur sa station de charge. L'aspirateur peut rester en position verticale (sur des surfaces dures, parquet, etc.) pendant de courtes durées (2-3 minutes) grâce au mécanisme de verrouillage à brosse.

4 Informations

4.1 Nettoyage et entretien

Arrêtez l'appareil et débranchez-le avant de le nettoyer.



AVERTISSEMENT : N'utilisez jamais d'essence, de solvants, de nettoyeurs abrasifs, d'objets métalliques ou de brosses dures pour nettoyer l'appareil.

4.2 Filtre HEPA

- Pour maintenir les performances du filtre, nous recommandons de le nettoyer régulièrement et de le remplacer tous les 3 à 6 mois. (en fonction de l'utilisation)



AVERTISSEMENT : en cas d'inutilisation prolongée, conserver la batterie intacte, dans un endroit sec et frais, chargée à moitié. Veuillez emballer la batterie dans un matériau non conducteur afin d'éviter que du métal puisse toucher la batterie directement, ce qui l'endommagerait.

4.3 Conformité avec la directive DEEE et mise au rebut des déchets

Ce produit est conforme à la directive DEEE (2012/19/UE) de l'Union européenne. Ce produit porte un symbole de classification pour la mise au rebut des équipements électriques et électroniques (DEEE).



Ce symbole indique que ce produit ne doit pas être jeté avec les déchets ménagers à la fin de sa vie utile. Les appareils usagés doivent être retournés au point de collecte officiel destiné au recyclage des appareils électriques et électroniques. Pour trouver ces systèmes de collecte, veuillez contacter les autorités locales ou le détaillant auprès duquel vous avez acheté le produit. Chaque ménage joue un rôle important dans la récupération et le recyclage des appareils ménagers usagés. L'élimination appropriée des appareils usagés aide à prévenir les conséquences négatives potentielles pour l'environnement et la santé humaine.

4 Informations

4.4 Conformité avec la directive LdSD

L'appareil que vous avez acheté est conforme à la directive LdSD (2011/65/UE) de l'Union européenne. Il ne comporte pas les matériaux dangereux et interdits mentionnés dans la directive.

4.5 Information sur l'emballage



L'emballage du produit est composé de matériaux recyclables, conformément à notre réglementation nationale. Ne jetez pas les éléments d'emballage avec les déchets domestiques et autres déchets. Déposez-les dans un des points de collecte d'éléments d'emballage que vous indiquera l'autorité locale dont vous dépendez.

4.6 Informations sur les piles usagées



Ce symbole sur les piles/batteries rechargeables ou sur l'emballage indique que les piles/batteries rechargeables ne doivent pas être jetées avec les déchets ménagers ordinaires. Pour certaines piles/batteries rechargeables, ce symbole peut être complété par un symbole chimique. Les symboles pour le mercure (Hg) ou le plomb (Pb) apparaissent si les piles rechargeables contiennent plus de 0,0005 % de mercure ou plus de 0,004 % de plomb.

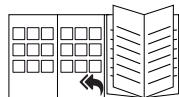
Les batteries rechargeables, y compris celles ne contenant pas de métaux lourds, ne doivent pas être éliminées avec les ordures ménagères. Toujours éliminer les batteries usées conformément aux dispositions locales relatives à l'environnement. Renseignez-vous sur la réglementation applicable en matière d'élimination des déchets dans votre commune.

4.7 Rangement

- Si vous ne comptez pas utiliser votre appareil pendant un certain temps, veuillez le ranger soigneusement.
- Assurez-vous que l'appareil soit débranché, refroidi et complètement sec.
- Conservez l'appareil dans un endroit frais et sec.
- Tenez l'appareil hors de portée des enfants.
- En cas d'inutilisation prolongée, conserver la batterie intacte, dans un endroit sec et frais, en la maintenant dans un état de charge moyenne. Pas chargée à bloc ni vide.
- Veuillez emballer la batterie dans un matériau non conducteur afin d'éviter que du métal puisse toucher la batterie directement, ce qui l'endommagerait.

4.8 Déplacement et transport

- Pendant la manipulation et le transport, utilisez toujours l'emballage d'origine de l'appareil. L'emballage de l'appareil le protège des dommages physiques.
- Ne placez pas de charges lourdes sur l'appareil ou sur l'emballage. Cela pourrait endommager l'appareil.
- Toute chute de l'appareil pourrait le rendre non opérationnel ou l'endommager de façon permanente.



Pour la mise en service, l'utilisation générale et le nettoyage, veuillez respecter les instructions figurant aux pages 5-6-7 du présent manuel d'utilisation.

5 Résolution de problèmes

Défaillance globale	Cause possible	Solutions
«L'appareil n'aspire pas	Le produit est hors service ou la batterie est déchargée	Veillez charger le produit avant utilisation
	Le port d'aspiration du produit est bloqué.	Nettoyage de l'embouchure d'aspiration du produit
L'aspiration est trop faible	Le module de filtres et le bac à poussière sont poussiéreux est poussiéreux	Nettoyer le bac et le matériau du filtre
	Des cheveux et d'autres objets sont pris dans la brosse roulante	Nettoyer la brosse roulante
	La situation perdure	Veillez contacter notre équipe de service après-vente
Le bruit de fonctionnement du moteur est différent	Le tube en aluminium est bouché	Nettoyer les obstacles
	La situation perdure	Veillez contacter notre équipe de service après-vente
L'aspirateur fonctionne difficilement	Trop d'obstacles dans la zone de nettoyage	Enlever les obstacles manuellement
	Le port d'aspiration du produit est bloqué	Nettoyer l'embouchure d'aspiration du produit
	La situation perdure	Veillez contacter notre équipe de service après-vente
Impossible de charger le produit	Le bloc de batterie et l'interface de chargeur ne sont pas correctement connectés	Veillez contrôler et établir correctement le contact
	Le chargeur ou le réceptacle ne sont pas totalement chargés ou en vrac	Contrôler et éliminer
	La situation perdure	Veillez nous contacter
Signaux LED courants	Cause possible	Solutions
Le voyant rouge scintille	Le produit est hors service ou la batterie est déchargée	Veillez charger le produit avant utilisation
Le voyant rouge clignote	La brosse est branchée et le moteur de brosse principal fonctionne	Nettoyer la brosse roulante
	Le courant de surcharge est trop fort	Brancher le bon adaptateur
Le voyant rouge et le voyant blanc clignent en alternance pendant le processus de décharge	Le bloc de batterie a un problème	Veillez contacter notre équipe de service après-vente
Le voyant rouge et le voyant blanc clignent en alternance pendant le processus de charge	Le bloc de batterie n'est pas installé correctement	1- Retirer l'adaptateur 2- Installer de nouveau le bloc de batterie 3- Insérer l'adaptateur 4- Respecter scrupuleusement les étapes ci-dessus

Por favor, ¡lea este manual de instrucciones primero!

Estimados Clientes,
Gracias por elegir un producto Beko. Esperamos que usted consiga los mejores resultados con su producto el cual ha sido fabricado con una tecnología de alta calidad y última generación. Por lo tanto, por favor lea este manual de instrucciones al completo y el resto de documentos que lo acompañan antes de utilizar el producto y manténgalo como una referencia para su futuro uso. Si usted entrega el producto a otra persona, dele el manual de instrucciones también. Siga todas las advertencias e información del manual de instrucciones.

Significados de los símbolos

Los siguientes símbolos se utilizan en varias secciones de este manual:



Información importante y pistas útiles sobre uso.



ADVERTENCIA: Advertencias para situaciones peligrosas concernientes a la seguridad de la vida y de los bienes.



Clase de protección para descarga eléctrica.

1. Botón de encendido/apagado
2. Botón de modo +
3. Botón de modo -
4. Botón de desbloqueo del tubo
5. Botón de desbloqueo del cepillo
6. Cepillo eléctrico turbo
7. Botón de desbloqueo del paquete de baterías
8. Cuerpo de la máquina
9. Recipiente para el polvo
10. Botón de desbloqueo del recipiente para el polvo
11. Botón del tubo plegable
12. Estación de carga
13. Tubo de la estación de carga
14. Soporte de la estación de carga
15. Rodillo para suelo duro
16. Conector de alimentación
17. Accesorio acodado
18. Accesorio para las hendiduras
19. Minicepillo turbo
20. Cepillo suave
21. Tornillo
22. Enchufe de pared

Información técnica

Potencia de entrada

nominal : 450 W

Entrada :

100 - 240 V~ 50-60Hz 0,8 A (máx.)

Salida : 36V  0,6A

Tiempo de carga : 4-5 horas

Potencia máx. del tiempo de funcionamiento : 7 min.

Tiempo de ejecución a potencia media : 22 min

Tiempo de funcionamiento min. potencia hasta : 45 min.

Modificaciones técnicas y de diseño reservadas.

Los valores declarados en los marcadores adjuntos en su aparato o los otros documentos impresos facilitados junto a él representan los valores que fueron obtenidos en los laboratorios conforme a las normas pertinentes. Estos valores pueden variar de acuerdo con el uso del aparato y condiciones ambientales.

Parámetros de la fuente de alimentación externa

Fabricante: Dongguan Yinli Electronics Co.,Ltd

Identificador del modelo: YLS0241A-E360060

Tensión de entrada: 100-240V~

Frecuencia de entrada: 50-60Hz

Corriente de entrada: 0,8A

Voltaje de salida: 36.0V

Corriente de salida: 0.6A

Potencia de salida: 21.6W

Eficiencia activa media: 87.19%

Eficiencia a baja carga (10%): 79.58%

Consumo de energía sin carga: 0.09W



Este producto ha sido producido en instalaciones respetuosas con el medio ambiente y de vanguardia.

Cumple con la Directiva WEEE.



No contiene PCB.

1 Instrucciones importantes para la seguridad y el medio ambiente

Este apartado contiene instrucciones de seguridad que ayudarán a la protección contra los riesgos de lesiones personales o daños a la propiedad.

El incumplimiento de estas instrucciones causará la pérdida de cualquier tipo de garantía.

1.1 Seguridad general

- Este aparato cumple con las normas de seguridad internacionales.
- Este aparato puede ser utilizado por niños mayores de 8 años y por personas con capacidades físicas, sensoriales o mentales reducidas o con falta de experiencia y conocimientos, siempre que estén bajo supervisión o hayan recibido instrucciones pertinentes sobre el uso del aparato de manera segura y comprendan los peligros que conlleva. No deje que los niños jueguen con el aparato. La limpieza y mantenimiento del usuario no deben ser realizados por niños sin supervisión.
- Si el adaptador o el aparato está dañado, no lo utilice. Contacte con un servicio de atención al cliente autorizado.
- Su fuente de alimentación debe ser conforme a la información que se indica en la placa de datos del aparato.
- No utilice este aparato con un cable alargador.
- Evite daños al cable procurando que no sufra tirones, no se doble y no roce con bordes afilados para evitar dañarlo.
- No toque el aparato o su enchufe con las manos húmedas o mojadas cuando esté conectado a la red eléctrica.
- No tire del cable de alimentación cuando desenchufe el aparato.
- No aspire materiales inflamables y al aspirar cenizas de cigarro, asegúrese de que se haya enfriado.
- No aspire agua u otros líquidos.
- Proteja el aparato de la lluvia, la humedad y las fuentes de calor.
- No utilice nunca el aparato en lugares con materiales combustibles o inflamables, o cerca de ellos.
- Desenchufe el aparato antes de realizar tareas de limpieza y mantenimiento.
- No sumerja el aparato o el cable de alimentación en agua para su limpieza.

1 Instrucciones importantes para la seguridad y el medio ambiente

- No trate de desmontar el aparato.
- Use únicamente las piezas originales o recomendadas por el fabricante.
- No limpie las partículas tales como cemento, yeso y papel comprimido para evitar que el filtro se obstruya y el motor se dañe.
- Utilice el aparato solamente con el adaptador suministrado.
- No utilice el aparato sin filtros; de lo contrario, podría dañarlo.
- Si guarda el material de embalaje, manténgalo fuera del alcance de los niños.
- Este aparato no está destinado a personas (incluidos niños) con habilidades físicas, sensoriales o mentales reducidas, o falta de experiencia y conocimiento, salvo que se les haya dado supervisión o instrucción concerniente al uso del aparato por una persona responsable de su seguridad.
- Los niños deberían estar supervisados para asegurar que ellos no jueguen con el aparato.
- Conecte el aparato a la red eléctrica únicamente mediante la fuente de alimentación suministrada junto con él.
- El adaptador debe ser retirado de la toma de corriente y el paquete de baterías debe ser retirado del aparato antes de limpiarlo o mantenerlo.
- Si el adaptador está dañado, debe ser reemplazado por el fabricante o su agente o por una persona cualificada similar para evitar riesgos.
- Mantenga los dedos, el cabello y la ropa suelta alejados de las piezas móviles y aberturas mientras utiliza la aspiradora.
- La batería debe retirarse del aparato antes de desecharla;
- El aparato debe estar desconectado de la red eléctrica al retirar la batería;
- Deseche las baterías gastadas de acuerdo con las leyes y normativas locales.
- Este aparato contiene baterías que sólo pueden ser reemplazadas por personal cualificado.
- **ADVERTENCIA:** Para recargar la batería, utilice únicamente la unidad de alimentación desmontable Y L S 0 2 4 1 A - E 3 6 0 0 6 0 suministrada con este aparato.

1 Instrucciones importantes para la seguridad y el medio ambiente

- Retire e introduzca las pilas de acuerdo con la norma UM.
- Las baterías recargables deben retirarse del aparato antes de cargarlo;
- No se deben mezclar diferentes tipos de baterías o baterías nuevas y usadas.
- Las pilas deben colocarse con la polaridad correcta.
- Las baterías agotadas deben retirarse del aparato y desecharse de forma segura.
- Si el aparato se va a almacenar sin utilizar durante un largo periodo de tiempo, se deben retirar las baterías.
- Los terminales de alimentación no deben estar en cortocircuito.
- Utilizar exclusivamente con la batería ZB1858.
- Este aparato no debe ser utilizado por personas (incluidos niños) con habilidades físicas, sensoriales o mentales reducidas, o falta de experiencia y conocimiento, salvo que se les haya dado supervisión o instrucción.
- Vigile a los niños para evitar que jueguen con el aparato.

2 Montaje de las piezas

2.1 Accesorio acodado (17)

El accesorio acodado es una herramienta de prolongación, un extremo se inserta en el puerto de succión, el otro extremo se conecta con los accesorios, que pueden limpiar esquinas o espacios estrechos (7).

2.2 Accesorio para las hendiduras (18) y cepillo suave (20)

Empuje la parte redonda del accesorio en la parte de succión hasta que haga clic. El cepillo suave limpia sus muebles sin dañarlos (6-7).

2.3 Minicepillo turbo (19)

Empuje el extremo del minicepillo en la pieza de aspiración hasta que haga clic.

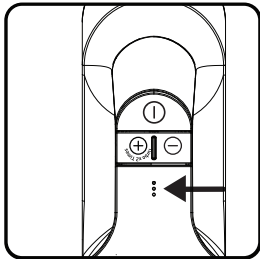
Quítelo tirando de los botones (6).

2.4 Rodillo para suelo duro (15)

El rodillo para suelos duros proporciona un mayor rendimiento de limpieza en parquet, baldosas, etc. (17)

3 Uso

3.1 Indicador de carga



Indica el estado de carga de la batería.

En funcionamiento	Cargando	Totalmente cargado	Menor consumo de energía
Luz blanca constante	Luz blanca intermitente	Luz blanca constante	Luz roja intermitente

3.2 Estación de carga (12)

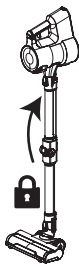
Mientras se carga la batería en la base de carga, el indicador de carga parpadea en blanco.



- Cuando reciba este producto, utilice el cargador proporcionado por nuestra compañía para recargar la batería durante 3 horas (sin necesidad de cargarla por completo) con una frecuencia de carga trimestral.
- No coloque la batería sobre la base de carga durante mucho tiempo.
- Cuando la batería no se vaya a utilizar durante mucho tiempo o esté descargada por completo, es posible que el tiempo de trabajo se reduzca durante las primeras veces. Recomendamos que cargue completamente la batería (normalmente 6 horas) y la descargue. Repita esta acción dos veces.

3 Uso

- El producto tiene la posibilidad de permanecer en posición vertical mediante el mecanismo de bloqueo del cepillo. El suelo debe estar nivelado para que esta función se utilice correctamente (suelo duro, parqué, etc.). Si el producto no se utiliza o cuando se guarde, debe mantenerse en la estación de carga. La aspiradora puede permanecer en posición vertical (en superficies como suelos duros, parqué, etc.) durante breves periodos de tiempo (2-3 minutos) gracias al mecanismo de bloqueo del cepillo.



4 Información

4.1 Limpieza y cuidados

Apague y desenchufe el aparato antes de limpiarlo.



ADVERTENCIA: Jamás utilice gasolina, disolventes, limpiadores abrasivos, objetos metálicos o cepillos duros para limpiar el aparato.

4.2 Filtro Hepa

- Para asegurar el rendimiento del aparato, le recomendamos que lo limpie regularmente y lo reemplace después de 3 a 6 meses. (Según el uso)



ADVERTENCIA: Si la batería no se utiliza durante mucho tiempo, se recomienda mantenerla intacta, almacenada en un lugar fresco y seco, y dejarla en estado de carga media. No llena ni vacía. Por favor, cubra la batería con material no conductor para evitar que el metal toque la batería directamente, ya que podría dañar la batería.

4.3 Conformidad con la normativa WEEE y eliminación del aparato al final de su vida útil

Este producto es conforme con la directiva de la UE sobre residuos de aparatos eléctricos y electrónicos (WEEE) (2012/19/UE). Este producto incorpora el símbolo de la clasificación selectiva para los residuos de aparatos eléctricos y electrónicos (WEEE).



Este símbolo indica que este producto no debe eliminarse con otros desechos domésticos al final de su vida útil. El dispositivo usado debe ser devuelto al punto de recogida oficial para el reciclaje de los dispositivos eléctricos y electrónicos. Para encontrar estos sistemas de recogida, por favor, póngase en contacto con las autoridades locales o con el distribuidor donde se compró el producto. Cada hogar desempeña un papel importante en la recuperación y el reciclaje de los aparatos antiguos. La eliminación adecuada de los aparatos usados ayuda a prevenir las posibles consecuencias negativas para el medio ambiente y la salud humana.

4 Información

4.4 Cumplimiento de la directiva RoHS

El producto que ha adquirido es conforme con la directiva de la UE sobre la restricción de sustancias peligrosas (RoHS) (2011/65/UE). No contiene ninguno de los materiales nocivos o prohibidos especificados en la directiva.

4.5 Información de embalaje



El embalaje del producto está fabricado con material reciclable de acuerdo con las normativas nacionales sobre medio ambiente. No se deshaga del material de embalaje ni de los desechos domésticos o de otro tipo. Llévelos a los puntos de recogida de material de embalaje designados por las autoridades locales.

4.6 Información sobre las baterías de desecho



Este símbolo en las pilas/baterías recargables o en el embalaje indica que las pilas/baterías recargables no deben eliminarse junto con la basura doméstica normal. En el caso de determinadas baterías recargables, este símbolo puede complementarse con un símbolo químico. Los símbolos de mercurio (Hg) o plomo (Pb) se proporcionan si las baterías recargables contienen más del 0,0005 % de mercurio o más del 0,004 % de plomo.

Las baterías, incluidas aquellas que no contienen metales pesados, no se deben eliminar junto con los residuos domésticos. Elimine las pilas cumpliendo con los reglamentos medioambientales locales. Infórmese sobre la normativa de eliminación de residuos aplicable en su lugar de residencia.

4.7 Almacenamiento

- Si no va a utilizar el aparato durante un periodo prolongado de tiempo, guárdelo cuidadosamente.
- Por favor, asegúrese de que el aparato esté desconectado, refrigerado y totalmente seco.
- Guarde el aparato en un lugar fresco y seco.
- Mantenga el aparato fuera del alcance de los niños.
- Si la batería no se utiliza durante mucho tiempo, se recomienda mantenerla intacta, almacenada en un lugar fresco y seco, y dejarla en estado de carga media. No llene ni vacía.
- Por favor, cubra la batería con un material no conductor para evitar que el metal toque la batería directamente, ya que podría dañar la batería.

4.8 Mudanza y transporte

- Durante el manejo y el transporte, lleve el aparato en su embalaje original. El embalaje del aparato lo protege de daños físicos.
- No coloque cargas pesadas en el aparato o en el embalaje. El aparato podría dañarse.
- Dejar caer el aparato podría causar que dejara de funcionar o dañarlo de forma permanente.



Para la puesta en marcha, el uso general y la limpieza, tenga en cuenta las instrucciones de las páginas 5-6-7 de este manual de instrucciones.

5 Resolución de problemas

Fallo común	Posible causa	Soluciones
La aspiradora no funciona	El producto está apagado o la batería está baja	Por favor, cargue el producto antes de usarlo
	El puerto de succión del producto está bloqueado.	Limpienza de la boca de succión del producto
La succión es demasiado débil	El filtro y el depósito de polvo están llenos de polvo	Limpiar el depósito de polvo y el material filtrante
	El cepillo de rodillo se envuelve alrededor del cabello y otros objetos	Limpiar el cepillo de rodillo
	La situación sigue siendo la misma	Póngase en contacto con nuestro equipo de postventa
Diferente sonido de funcionamiento del motor	El tubo de aluminio está bloqueado	Limpiar los obstáculos
	La situación sigue siendo la misma	Póngase en contacto con nuestro equipo de postventa
Aspiradora con problemas de funcionamiento	Demasiados obstáculos en el área de limpieza	Eliminar obstáculos manualmente
	El puerto de succión del producto está bloqueado	Limpiar la boca de succión del producto
	La situación sigue siendo la misma	Póngase en contacto con nuestro equipo de postventa
No se puede cargar el producto	El paquete de baterías y la interfaz del cargador no están bien conectados	Por favor, compruebe y contacte con nosotros
	El cargador o receptáculo no está completamente cargado o suelto	Compruébelo y guárdelo
	La situación sigue siendo la misma	Por favor, póngase en contacto con nosotros
Fallo común de los LED	Posible causa	Soluciones
La luz roja parpadea	El producto está apagado o la batería está baja	Por favor, cargue el producto antes de usarlo
La luz roja se enciende y se apaga	El cepillo está obstruido y el motor del cepillo principal está funcionando.	Limpiar el cepillo de rodillo
	La sobrecarga de corriente es demasiado fuerte.	Cambie el adaptador correcto
La luz roja y blanca parpadea durante el proceso de descarga.	La batería tiene un problema	Póngase en contacto con nuestro equipo de postventa
La luz roja y blanca parpadea durante el proceso de carga.	El paquete de baterías no está bien instalado	1- Retirar el adaptador 2- Instalar nuevamente el paquete de baterías 3- Conectar el adaptador 4- Seguir estrictamente los pasos anteriores



**Contacto para asistencia técnica:
902 877 665/ 932 992 581**

CONDICIONES DE GARANTIA - ESPAÑA

El presente certificado cubre la garantía de reparación de su electrodoméstico durante dos años, a partir de la fecha de venta, contra todo defecto de funcionamiento proveniente de fabricación o materiales; o de sustitución del aparato, salvo que una de estas opciones resulte imposible o desproporcionada respecto de la otra. Cuando usted detecte un defecto o anomalía en el aparato contacte de forma inmediata con nosotros, un plazo de dos meses es el límite para informarnos de la falta de conformidad. El cargo de desplazamiento está incluido en la reparación, excepto para pequeños electrodomésticos que pueden ser transportados al taller del servicio oficial de la marca. En caso de sustitución, el plazo de garantía se suspende y el nuevo aparato mantendrá el periodo de vigencia del aparato sustituido, y como mínimo 6 meses de garantía.

La presente garantía sólo será válida si se presenta factura, ticket de compra o el albarán de entrega del producto correspondiente si éste fuera posterior a la fecha de factura. La presente garantía es válida en el territorio español y portugués para los aparatos distribuidos por Beko Electronics España S.L.. La garantía sólo tendrá validez sobre el primer comprador o adquirente del producto. La garantía será válida para aparatos adecuados a las condiciones climáticas y medioambientales en que estén ubicados.

EXCLUSIONES DE LA GARANTIA

El coste de la reparación será a cargo del usuario en los siguientes casos:

- Los aparatos utilizados para uso profesional o no exclusivamente doméstico, en establecimientos públicos, industriales o comerciales.
- Los aparatos desmontados o manipulados por personas ajenas a los servicios técnicos expresamente autorizados.
- Las instalaciones, transporte, sustitución de aparatos, puestas en marcha, cambio de sentido de puertas.
- Intervenciones de mantenimiento o de información sobre el uso de los aparatos.
- Cambio de inyectores en aparatos de gas.
- Las averías provocadas por falta de mantenimiento o limpieza o aquellas provocadas por un uso indebido, sobrecarga, abandono o de manera no conforme a las instrucciones de uso o de instalación de los aparatos.
- Las averías producidas por causas fortuitas, siniestros de fuerza mayor o derivados de instalación incorrecta y en general, averías por causas ajenas al propio aparato.
- Las averías provocadas por conexiones que puedan presentar fluctuaciones, irregularidades o falta de uniformidad en el suministro, por ejemplo: suministro de agua impulsado por grupos de presión, energía solar, energía eólica, generadores eléctricos, u otro tipo de suministro no normalizado.
- La sustitución de materiales rotos o deteriorados por desgaste o uso normal del aparato tales como juntas, plásticos, gomas, correas, cristales, escobillas, bombillas, asas, tiradores, tapas de quemadores, filtros, rejillas, ánodos de sacrificio (magnesio o similares) de calentadores o calderas, etc.
- Los aparatos que presenten oxidación, o daños por corrosión en esmaltes o pinturas, que puedan ser provocados por efectos químicos o electroquímicos del agua o cualquier otra sustancia, o aceleradas por circunstancias ambientales o climáticas no propicias.
- Defectos estéticos en serigrafía o pintura.
- Los daños de transporte o manipulación, golpes, etc.
- Los aparatos deben instalarse de forma accesible para su reparación, debiendo asumir el usuario los costes necesarios para el acceso al aparato para su reparación y sustitución.

La presente garantía no afecta a los derechos de que dispone el consumidor conforme a lo previsto en el Real Decreto 1/2007, de 16 de noviembre, por el que se aprueba el texto refundido de la Ley General para la Defensa de los Consumidores y Usuarios y otras leyes complementarias, y la Ley 3/2014 que la modifica.

El Servicio Oficial de Asistencia Técnica resolverá cualquier incidencia que pudiera precisar su electrodoméstico siempre que el aparato esté instalado de forma accesible.

Para asegurarse que su electrodoméstico va a ser intervenido por un técnico oficial autorizado, rogamos solicite el carnet avalado por ANFEL (Asociación Nacional de Fabricantes de Electrodomésticos) a nuestros técnicos.

Las marcas BEKO, ALTUS, ARDEM, BLOMBERG, NORTLINE y GRUNDIG se distribuyen por Beko Electronics España S.L.

DATOS APARATO (a rellenar por el Distribuidor):

Titular:		Sello Establecimiento:
Modelo:	Núm. serie:	
Establecimiento:	Fecha de compra:	

El garante e importador de su electrodoméstico es: BEKO ELECTRONICS ESPAÑA S.L. Calle Provenza nº 388 3º Barcelona 08025, España. El producto ha sido fabricado por ARÇELIK A.S (Arçelik A.S.Sütlüce Karaağaç Cad. No:2-6 34445 Beyoğlu, Istanbul, Turkey).

Conózanos mejor en nuestra página: www.beko.es. Conserve este documento, es importante para usted.



**Contacte a assistência técnica:
00351 225191300/
00351 225191309**

CONDIÇÕES DE GARANTIA - PORTUGAL

Este certificado cobre a garantia de reparação do seu eletrodoméstico por dois anos a contar da data de compra, contra defeitos de funcionamento provenientes do fabrico ou dos materiais; ou de substituição do dispositivo, a menos que uma dessas opções seja impossível ou desproporcionada em relação à outra. Quando detetar um defeito ou anomalia no aparelho entre imediatamente em contacto connosco, existe um prazo limite de dois meses para nos informar sobre a falta de conformidade. O valor da deslocação está incluído na reparação, com exceção de pequenos aparelhos que podem ser transportados para a oficina do serviço oficial da marca. Em caso de substituição, o período de garantia fica suspenso e o aparelho irá manter o prazo de validade do aparelho substituído e no mínimo 6 meses de garantia.

Esta garantia só será válida se a fatura, recibo de venda ou a entrega do produto em questão for posterior à data da fatura. Esta garantia é válida em território espanhol e português para aparelhos distribuído pela Beko Electronics Espanha SL. A garantia só é válida para o primeiro comprador ou adquirente do produto. A garantia é válida para dispositivos adaptados às condições climáticas e ambientais em que se situam.

EXCLUSÕES DA GARANTIA

O custo da reparação será pago pelo utilizador nos seguintes casos:

- Aparelhos utilizados para uso profissional ou não exclusivamente doméstico, em estabelecimentos comerciais, industriais ou públicos.
- O equipamento desmontado ou adulterado por alguém que não seja expressamente autorizado pelos serviços técnicos.
- A instalação, transporte, substituição de equipamento, colocação em funcionamento, alteração do sentido das portas.
- Intervenções de manutenção ou informações sobre a utilização dos aparelhos.
- Alteração de injetores em aparelhos a gás.
- As avarias causadas pela falta de manutenção ou limpeza, ou aquelas causadas por um uso inadequado, sobrecarga, abandono ou de forma a não respeitar as instruções de uso ou instalação dos aparelhos.
- As avarias provocadas por causas acidentais, sinistros de força maior ou resultantes de instalação inadequada e em geral, avarias por razões não relacionadas com o produto.
- As avarias causadas por ligações que podem apresentar flutuações, irregularidades ou falta de uniformidade no fornecimento, por exemplo: abastecimento de água, impulsionado por pressão, energia solar, energia eólica, geradores de energia elétrica ou outro tipo de fornecimento não-padrão.
- Os materiais quebrados ou danificados por desgaste ou uso normal do aparelho tais como juntas, plásticos, borracha, correias, vidros, pincéis, lâmpadas, asas, puxadores, tampas de queimadores, filtros, grades, etc.
- Os aparelhos que apresentem oxidação, ou danos por corrosão em esmaltes ou tintas, que possam ter sido causados por efeitos químicos ou eletroquímicos da água ou de qualquer outra substância, ou aceleradas por circunstâncias ambientais ou climáticas não propícias.
- Defeitos estéticos em serigrafia ou pintura.
- Os danos causados por transporte ou manuseio, colisões, etc.
- Os aparelhos devem ser instalados de forma acessível em caso de reparação e o utilizador deve assumir os custos necessários para aceder ao aparelho para reparação e substituição.

As marcas BEKO, ALTUS, ARDEM, BLOMBERG, NORTLINE e GRUNDIG são distribuídas por Beko Electronics Espanha S.L.

DADOS DO APARELHO (a ser preenchido pelo Distribuidor):

Detentor:		Carimbo do estabelecimento:
Modelo:	N.º série:	
Estabelecimento:	Data de compra:	

O fiador e o importador do seu eletrodoméstico é: BEKO ELECTRONICS ESPAÑA S.L. Calle Provenza nº 388 3º Barcelona 08025, Espana. O produto foi fabricado por ARÇELIK A.S (Arçelik A.S.Sütluce Karaağaç Cad. No:2-6 34445 Beyoğlu, Istanbul, Turquia).

Conheça-nos melhor na nossa página: www.beko.es. Conserve este documento, é importante para si.

Citiți mai întâi acest manual de utilizare!

Stimați clienți,

Vă mulțumim că ați ales un produs Beko. Sperăm să obțineți cele mai bune rezultate de la produsul dumneavoastră, care a fost fabricat la o calitate înaltă și cu tehnologii performante. În acest scop, citiți cu grijă și în întregime acest manual de utilizare și toate celelalte documente însoțitoare înainte de a utiliza produsul și păstrați-le pentru consultări ulterioare. Dacă predați produsul către o altă persoană, predați-i și manualul de utilizare. Respectați toate avertismentele și informațiile din manualul de utilizare.

Semnificația simbolurilor

Următoarele simboluri sunt folosite în diferite secțiuni ale prezentului manual:



Informații importante sau sfaturi utile referitoare la utilizare.



AVERTISMENT: Avertismente pentru situații periculoase privind siguranța vieții și bunurilor.



Clasa de protecție la șocuri electrice.


1. Buton pornire/oprire
2. Buton Mod +
3. Buton Mod -
4. Buton eliberare tub
5. Buton eliberare perie
6. Perie turbo electrică
7. Buton eliberare acumulator
8. Corp aparat
9. Recipient pentru praf
10. Buton eliberare recipient pentru praf
11. Buton tub pliabil
12. Stație de încărcare
13. Tub stație de încărcare
14. Suport stație de încărcare
15. Perie rotativă pentru pardoseală
16. Priză alimentare electrică
17. Cot
18. Accesorii pentru spații înguste
19. Perie turbo mini
20. Perie moale
21. Șurub
22. Priză de perete

Date tehnice

Puterea nominală de intrare : 450 W

Alimentare :

100 - 240 V~ 50-60Hz 0,8 A (max)

Putere maximă : 36V  0,6A

Timp de încărcare : 4-5 ore

Putere max. rulare : 7min

Timp de funcționare la putere medie: 22 min

Timp de funcționare la putere minimă până la : 45 min.

Dreptul rezervat de a opera modificări tehnice și de design.

Valorile menționate pe marcasele atașate de aparatul dumneavoastră sau pe celelalte documente imprimare furnizate împreună cu acesta reprezintă valorile obținute în laboratoare, în conformitate cu standardele relevante. Aceste valori pot varia în funcție de maniera de utilizare a aparatului și de condițiile de mediu.

Parametrul sursei de alimentare externă

Producător: Dongguan Yinli Electronics Co.,Ltd

Identificator model: YLS0241A-E360060

Tensiune de intrare: 100-240 V~

Frecvență de intrare: 50-60 Hz

Curent de intrare: 0.8 A

Tensiune de ieșire: 36.0 V

Curent de ieșire: 0.6A

Putere de ieșire: 21.6 W

Randament mediu în regim activ: 87.19%

Randament în sarcină redusă (10%): 79.58%

Consum de putere în regim fără sarcină: 0.09W



Acest produs a fost fabricat într-o unitate performantă și care protejează mediul.

Produs conform cu Directiva DEEE.



Nu conține PCB.

1 Instrucțiuni importante referitoare la siguranță și mediul înconjurător

Această secțiune conține instrucțiuni de siguranță care vă vor ajuta să vă protejați de riscul vătămarilor corporale sau al pagubelor materiale.

Nerespectarea acestor instrucțiuni invalidează garanția furnizată.

1.1 Siguranță generală

- Acest produs este conform cu standardele internaționale de siguranță.
- Acest produs poate fi utilizat de către copii cu vârsta minimă de 8 ani și de persoanele cu capacități fizice, senzoriale sau mentale reduse sau lipsă de experiență și cunoștințe dacă aceștia au fost supravegheați sau instruiți cu privire la utilizarea produsului într-un mod sigur și înțeleg pericolele implicate. Copii nu trebuie să se joace cu produsul. Operațiunile de curățare și întreținere nu trebuie să fie efectuate de către copii fără supraveghere.
- Dacă adaptorul sau aparatul este deteriorat, nu îl folosiți. Contactați un service autorizat.
- Tensiunea de alimentare a prizelor trebuie să corespundă cu informațiile furnizate pe eticheta produsului.
- Nu utilizați produsul cu un prelungitor.
- Preveniți avarierea cablului de alimentare prin comprimare, deformare sau frecarea de margini tăioase.
- Dacă aveți mâinile umede, nu atingeți produsul sau ștecherul acestuia atunci când este conectat la priză.
- În momentul când scoateți fișa din priză, nu trageți de cablu.
- Nu aspirați materiale inflamabile, iar atunci când aspirați cenușa de țigară, asigurați-vă că este stinsă.
- Nu aspirați apă sau alte lichide.
- Protejați aparatul de ploaie, umiditate și surse de căldură.
- Nu utilizați niciodată produsul în locuri în care există materiale combustibile sau inflamabile sau în apropierea acestora.
- Înainte de curățare și întreținere, decuplați produsul.
- Nu imersați produsul sau cablul său în apă.

1 Instrucțiuni importante referitoare la siguranță și mediul înconjurător

- Nu încercați să demontați produsul.
- Utilizați doar componente originale sau componente recomandate de către producător.
- Nu curățați particule precum cele de ciment, tencuială și hârtie presată, pentru a preveni înfundarea filtrului și deteriorarea motorului.
- Utilizați produsul doar cu adaptorul cu care a fost furnizat.
- Nu utilizați produsul fără filtre, deoarece se poate avaria.
- Dacă păstrați materialele de ambalare, depozitați-le în locuri inaccesibile copiilor.
- Acest aparat nu este destinat utilizării de către persoane (inclusiv copii) cu capacități fizice, senzoriale sau mentale reduse, ori fără experiență și cunoștințe, cu excepția cazului în care au fost supravegheați sau instruiți cu privire la utilizarea aparatului de către o persoană responsabilă pentru siguranța lor.
- Copiii trebuie supravegheați pentru a nu se juca cu aparatul.
- Aparatul trebuie folosit doar cu sursa de alimentare furnizată împreună cu aparatul.
- Adaptorul trebuie scos din priză, iar acumulatorul trebuie extras din aparat înainte de curățarea și întreținerea aparatului.
- Dacă adaptorul este deteriorat, el trebuie înlocuit de către producător sau reprezentantul său ori de către o persoană cu o calificare similară pentru prevenirea pericolelor.
- Feriți degetele, părul și îmbrăcămintea largă de părțile în mișcare și orificii în timpul utilizării aspiratorului.
- Bateria trebuie extrasă din aparat înainte de a fi scoasă din uz;
- Apăraturul trebuie să fie deconectat de la priză când extrageți bateria;
- Vă rugăm să eliminați bateriile uzate în conformitate cu legile și reglementările locale.
- Acest aparat conține baterii care pot fi înlocuite doar de persoane calificate.
- **AVERTISMENT:** Pentru reîncărcarea bateriei, folosiți doar sursa de alimentare detașabilă YLS0241A-E360060 furnizată împreună cu produsul.

1 Instrucțiuni importante referitoare la siguranță și mediul înconjurător

- Vă rugăm să extrageți și să introduceți bateriile conform manualului de instrucțiuni
- Bateriile reîncărcabile trebuie extrase din aparat înainte să fie încărcate;
- Nu trebuie folosite împreună tipuri diferite de baterii sau baterii noi și uzate.
- Bateriile trebuie introduse respectând polaritatea corectă
- Bateriile descărcate trebuie extrase din aparat și eliminate în siguranță.
- Dacă aparatul trebuie depozitat și nu este folosit pentru o lungă perioadă de timp, bateriile trebuie extrase.
- Terminalele de alimentare nu trebuie scurtcircuitate.
- A se utiliza doar cu baterie ZB1858.
- Acest aparat nu trebuie utilizat de persoane (inclusiv copii) cu capacități fizice, senzoriale sau mentale reduse, ori fără experiență și cunoștințe, cu excepția cazului în care au primit instrucțiuni sau sunt supravegheați.
- Copiii nu trebuie lăsați nesupravegheați în apropierea aparatului.

2 Montarea componentelor

2.1 Cot (17)

Cotul este o unealtă de extensie, un capăt se introduce în duza de aspirare iar la celălalt capăt se atașează accesoriile, care pot curăța colțurile sau spațiile înguste (7).

2.2 Accesoriu spații înguste (18) și perie moale (20)

Introduceți partea rotundă a accesoriului în partea de aspirare până când se aude un clic. Peria moale

curăță mobilierul fără a-l deteriora (6-7).

2.3 Perie turbo mini (19)

Introduceți capătul periei mini în partea de aspirare până când se aude un clic.

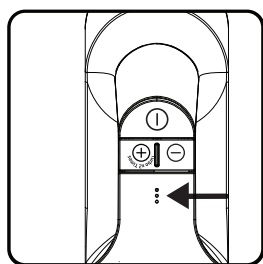
Trageți de butoane pentru a o îndepărta (6).

2.4 Perie rotativă pentru pardoseală (15)

Peria rotativă pentru pardoseală (17)

3 Utilizare

3.1 Indicator de încărcare



Indică starea de încărcare a bateriei.

Funcționează	Încarcă	Încărcat complet	Energie scăzută
Lumină albă continuă	Lumină albă intermitentă	Lumină albă continuă	Lumină roșie intermitentă

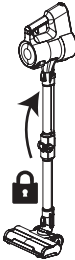
3.2 Stație de încărcare (12)

Indicatorul de încărcare luminează intermitent când încărcați acumulatorul în stația de încărcare



- Când primiți acest produs, vă rugăm să folosiți încărcătorul furnizat de compania noastră pentru a reîncărca acumulatorul timp de 3 ore (nu este necesară încărcarea completă), iar frecvența de încărcare ar trebui să fie la fiecare 3 luni.
- Nu lăsați acumulatorul pe baza de încărcare o perioadă îndelungată
- Atunci când acumulatorul nu este utilizat pentru o perioadă lungă de timp sau este supraîncărcat, este posibil ca timpul de lucru să fie redus primele două. Recomandăm să încărcați complet acumulatorul (de obicei 6 ore) și să îl descărcați. Repetați această acțiune de două ori

3 Utilizare

-  Produsul poate sta în poziție verticală cu ajutorul mecanismului de blocare al periei. Podeaua trebuie să fie uniformă pentru ca această funcție să fie utilizată corect (pardoseală tare, parchet, etc.) Produsul trebuie păstrat în stația de încărcare când nu este utilizat și trebuie depozitat. Aspiratorul poate sta în poziție verticală (pe suprafețe cum ar fi pardoseala tare, parchetul, etc.) pentru durate scurte (2-3 minute) mulțumită mecanismului de blocare al periei.

4 Informații

4.1 Curățare și întreținere

Oprii și deconectați aparatul înainte de a-l curăța.



AVERTISMENT: Nu utilizați niciodată benzină, solvent, agenți de curățare, obiecte metalice sau perii dure pentru a curăța aparatul.

4.2 Filtru HEPA

- Pentru a asigura buna funcționare a produsului, recomandăm curățarea sa regulată și înlocuirea filtrului după 3-6 luni. (În funcție de utilizare)



AVERTISMENT: În cazul în care nu e utilizat timp îndelungat, mențineți bateria în bună stare, la loc uscat și pe jumătate încărcată. Nici încărcată la maximum, nici descărcată. Vă rugăm să înveliți bateria cu material care nu conduce electricitatea pentru a evita ca metalul să atingă direct bateria, ceea ce ar duce la deteriorarea acesteia.

4.3 Conformitate cu Directiva WEEE și depozitarea la deșeurile a produsului uzat

Acest produs respectă Directiva UE WEEE (2012/19/UE). Produsul este marcat cu un simbol de clasificare pentru deșeurile electrice și electronice (WEEE).



Acest simbol indică faptul că produsul nu trebuie eliminat cu alte deșeurile menajere la finalul perioadei de utilizare. Dispozitivele utilizate trebuie returnate la punctul special de reciclare de dispozitive electrice și electronice. Pentru a găsi aceste sisteme de colectare contactați autoritățile locale sau distribuitorul de la care a fost achiziționat produsul. Fiecare gospodărie are un rol important în recuperarea și reciclarea electrocasnicelor vechi. Eliminarea corespunzătoare a electrocasnicelor utilizate ajută la prevenirea posibilelor consecințe negative pentru mediu și sănătatea umană.

4 Informații

4.4 Conformitate cu Directiva RoHS

Produsul pe care l-ați achiziționat respectă Directiva UE RoHS (2011/65/UE). Nu conține materiale dăunătoare și interzise specificate în Directivă.

4.5 Informații despre ambalaj



Ambalajul produsului este fabricat din materiale reciclabile conform Legislației Naționale. Ambalajele nu trebuie aruncate împreună cu gunoiul menajer sau alt tip. Duceți-le la punctele de colectare destinate ambalajelor amenajate de către autoritățile locale.

4.6 informații privind deșeurile de baterii



Simbolul de pe acumulatori/baterii sau cel aflat pe ambalaj indică faptul că acumulatorii/bateriile nu pot fi eliminate împreună cu deșeurile menajere obișnuite. Pentru anumite tipuri de acumulatori/baterii, acest simbol poate fi însoțit de un simbol chimic. Simbolurile pentru mercur (Hg) sau plumb (Pb) sunt ilustrate dacă acumulatorii/bateriile conțin mai mult de 0,0005 % mercur sau mai mult de 0,004 % plumb.

Acumulatorii/bateriile, inclusiv tipurile care nu conțin metale grele, nu pot fi eliminate împreună cu deșeurile menajere. Eliminați întotdeauna bateriile utilizate în conformitate cu reglementările de mediu locale. Solicitați informații cu privire la aceste reglementări aflate în vigoare în zona în care locuiți.

4.7 Depozitarea

- Dacă nu doriți să utilizați produsul pentru o perioadă lungă de timp, depozitați-l cu grijă.
- Asigurați-vă că aparatul este deconectat, răcit și total uscat.
- Depozitați produsul într-un loc uscat și răcoros.
- Păstrați produsul într-un loc inaccesibil copiilor.
- În caz de neutilizare pe o perioadă îndelungată, păstrați bateria la loc răcoros și uscat, în stare semiîncărcată. Nici plină, nici epuizată.
- Înășurați bateria în material izolator pentru a evita atingerea bateriei de obiecte metalice, ceea ce ar putea deteriora bateria

4.8 Manevrarea și transportul

- În timpul manevrării și transportului, transportați produsul în ambalajul său original. Ambalajul aparatului îl protejează împotriva deteriorării fizice.
- Nu plasați obiecte grele pe produs sau pe ambalaj. Produsul se poate deteriora.
- Lovirea produsului îl poate face nefuncțional sau poate cauza deteriorarea iremediabilă.



Pentru punerea în funcțiune, utilizare generală și curățare urmați instrucțiunile de la paginile 5-6-7 ale acestui manual de operare.

5 Depanare

Defecțiuni obișnuite	Posibile cauze	Soluții
Aspiratorul nu funcționează	Produsul este oprit sau acumulatorul este descărcat	Încărcați produsul înainte de utilizare
	Duza de aspirare este blocată.	Curățați duza de aspirare a produsului
Aspirarea este prea slabă	Praf acumulat în recipientul de praf și ansamblul de filtre	Curățați recipientul de praf și materialul filtrului
	Peria rotativă este înfășurată în păr sau în jurul altor obiecte	Curățați peria rotativă
	Situația persistă	Contactați echipa noastră de vânzări
Sunet diferit al motorului	Tubul de aluminiu este blocat	Îndepărtați obstacolele
	Situația persistă	Contactați echipa noastră de vânzări
Aspiratorul are probleme de funcționare	Prea multe obstacole în zona de curățare	Îndepărtați manual obstacolele
	Duza de aspirare este blocată	Curățați duza de aspirare a produsului
	Situația persistă	Contactați echipa noastră de vânzări
Produsul nu se încarcă	Acumulatorul și interfața încărcătorului nu sunt bine conectate	Verificați și conectați bine
	Încărcătorul sau priza nu este complet încărcat sau este slăbit	Verificați și îndepărtați
	Situația persistă	Contactați-ne
Defecțiune LED comună	Posibile cauze	Soluții
Lumina roșie pâlpâie intermitent	Produsul este oprit sau acumulatorul este descărcat	Încărcați produsul înainte de utilizare
Lumina roșie luminează intermitent	Peria este conectată și motorul principal al periei funcționează	Curățați peria rotativă
	Intensitatea curentului de suprasarcină este prea mare	Înlocuiți cu adaptorul potrivit
Lumina albă și cea roșie luminează intermitent în timpul procesului de descărcare	Acumulatorul are o problemă	Contactați echipa noastră de vânzări
Lumina albă și cea roșie luminează intermitent în timpul procesului de încărcare	Acumulatorul nu este instalat corect	1- Deconectați adaptorul 2- Reinstalați acumulatorul 3- Inserați adaptorul 4- Urmați cu strictețe pașii de mai sus



CERTIFICAT DE GARANȚIE

Tensiune de alimentare/frecvență: 220-240V~, 50-60Hz

Importator: ARCTIC S.A., Găești, Dâmbovița, str. 13 Decembrie nr. 210, email: office@arctic.ro

TIP: **Electrocasnice mici de bucătărie - 3 ani** **Cuptor cu microunde - 3 ani**
 Aspirator - 2 ani **Fier de călcat - 2 ani**

Model / Serie:

VÂNZĂTOR

Nr. factură: Data:

Vânzător (firma, localitatea):

CUMPĂRĂTOR

Nume Localitatea

Str. Nr. Bloc Sc. Et. Ap.

Județ Telefon E-mail

S-a efectuat proba de funcționare a aparatului, s-a prezentat modul de folosire, s-au predat instrucțiunile de utilizare și toate accesoriile. Am primit aparatul în perfectă stare de funcționare.

Stimați clienți,

La cumpărare vă recomandăm să solicitați efectuarea probei de funcționare și să verificați existența instrucțiunilor de utilizare și a accesoriilor.

Pentru a putea beneficia de toate avantajele produselor și serviciilor noastre vă rugăm:

- să citiți cu atenție și să respectați recomandările prezentate în "Instrucțiunile de utilizare",
- să păstrați cu grijă acest certificat pentru a-l putea prezenta (împreună cu documentul fiscal de achiziție), personalului SERVICE ARCTIC, la orice sesizare efectuată în perioada de garanție.

Vă mulțumim că ați optat pentru cumpărarea unui produs Beko!

Durata medie de utilizare a produselor BEKO este de 5 ani!

Perioada de garanție legală de conformitate este de 2 ani de la intrarea produsului în posesia consumatorului.

Perioada de garanție comercială este de 3 ani de la intrarea produsului în posesia consumatorului.

Art. 22, alin. 3-6, din L449/2003, modificata de OG 9/2016:

- (3) Timpul de nefuncționare din cauza lipsei de conformitate apărute în cadrul termenului de garanție prelungeste termenul de garanție legală de conformitate și cel al garanției comerciale și curge, după caz, din momentul la care a fost adusă la cunoștința vânzătorului lipsa de conformitate a produsului sau din momentul prezentării produsului la vânzător/unitatea service până la aducerea produsului în stare de utilizare normală și, respectiv, al notificării în scris în vederea ridicării produsului sau predării efective a produsului către consumator,
- (4) Produsele de folosință îndelungată care înlocuiesc produsele defecte în cadrul termenului de garanție vor beneficia de un nou termen de garanție care curge de la data preschimbării produsului.
- (5) Produsele de folosință îndelungată defectate în termenul de garanție legală de conformitate, atunci când nu pot fi reparate sau când durata cumulată de nefuncționare din cauza deficiențelor apărute în termenul de garanție legală de conformitate depășește 10% din durata acestui termen, la cererea consumatorului, vor fi înlocuite de vânzător sau acesta va restitui consumatorului contravaloarea produsului respectiv.
- (6) Termenul de garanție curge de la data intrării bunului respectiv în posesia consumatorului, inclusiv pentru bunurile noi de folosință îndelungată, obținute prin tragere la sorți la tombole, câștigate la concursuri și similare sau acordate cu reducere de preț ori gratuit de către operatorii economici.

Garanția oferită nu exclude garanția de viciu ascuns, conform OG 21/1992 (R2) privind protecția consumatorului și Codul Civil.



Service-ul acestui produs este asigurat de ARCTIC S.A. cu sediul în Găești, Dâmbovița, str. 13 Decembrie nr. 210. *9010 • www.arctic.ro • www.beko.ro • e-mail: service@arctic.ro
Program Call Center: Luni - Vineri 08:30 - 20:00; Sâmbătă 08:30 - 17:00

UNITĂȚILE SERVICE ALE ARCTIC S.A. EXECUTĂ REPARAȚII ÎN TERMENUL DE GARANȚIE ȘI ÎN AFARA ACESTUIA

Nr. crt.	Data Reclamației	Data primirii în reparație	Reparat		Reparația curentă și/sau componenta înlocuită	Prelungirea termenului de garanție	Efectuarea verificării	
			Programat	Data ridicării aparatului			Cauza întârzierii	SERVICE

CONDIȚIILE DE GARANȚIE LEGALĂ DE CONFORMITATE :

1. Garanția se aplică numai dacă documentul fiscal de achiziție împreună cu acest certificat sunt prezentate împreună cu produsul redamat. Pentru orice defecțiune apărută în perioada de garanție sau post-garanție, apelați la magazinul de unde a fost achiziționat produsul sau direct la Call Center Arctic. Termenul de garanție se prelungește cu timpul scurs de la data semnării defectului și până la data reparației aparatului în stare de funcționare. Prelungirea termenului de garanție se va înscrice în certificatul de garanție de către unitatea SERVICE care a efectuat reparația.
2. Garanția acoperă reparația și/sau înlocuirea pieselor constatate ca defecte (necauzate de consumator) de către tehnicienii Service Arctic.
3. La cumpărare vă recomandăm să solicitați efectuarea probei de funcționare și să verificați existența tuturor accesoriilor și a instrucțiunilor de utilizare. Produsul trebuie să funcționeze corespunzător și să nu prezinte defecte vizibile ale pieselor și accesoriilor.
4. Termenul de realizare a operațiilor de reparație, înlocuire sau întreținere este de 15 zile calendaristice de la data la care cumpărătorul a sesizat defecțiunea la magazinul de unde a achiziționat produsul sau direct la Call Center Arctic.

Reclamațiile referitoare la aspectele prevăzute mai jos, se rezolvă numai contra cost :

- a) nefuncționarea lămpilor de iluminare;
- b) accesoriile care nu au defecte ascunse de material constatate de tehnicienii Service Arctic;
- c) piesele și accesoriile care prezintă lovituri, zgârieturi, spărturi sau deformări.

PRODUSUL NU BENEFICIAZĂ DE GARANȚIE LEGALĂ DE CONFORMITATE ÎN URMĂTOARELE CAZURI:

1. Nu au fost respectate instrucțiunile de transport, manipulare, instalare, utilizare și întreținere prescise.
2. Subansamblurile și accesoriile casabile care se deteriorează în timpul transportului vor fi înlocuite de vânzător (în cazul în care asigură transportul).
3. Garanția nu se acordă subansamblurilor și accesoriilor casabile ale produselor care suferă deteriorări din vina consumatorului.
4. Tensiunea de alimentare are valori care nu se încadrează în limitele prevăzute de standarde (SREN 50160).
5. Instalația electrică a utilizatorului prezintă improvizații sau neconformități.
6. Produsul a fost folosit în alte scopuri decât cel pentru care a fost proiectat.
7. Produsul a suportat intervenții (reparații, modificări) din partea unor persoane neautorizate de producător.

Drepturile consumatorului sunt cele prevăzute în Legea 449/2003 (republicată) și OG 21/1992 (republicată).

Si prega di leggere questo manuale prima dell'uso!

Gentile Cliente, grazie per aver scelto un prodotto Beko. Ci auguriamo che riesca ad ottenere i risultati migliori da questo prodotto, realizzato con tecnologia all'avanguardia e di alta qualità. Pertanto, prima di utilizzare il prodotto, La preghiamo di leggere con attenzione e per intero il presente manuale e ogni altro documento allegato, conservandoli come riferimento per impieghi futuri. Nel caso cedesse il prodotto ad altre persone, consegni loro anche queste istruzioni. Segua tutte le avvertenze e le informazioni riportate nel manuale utente.

Significato dei simboli

I seguenti simboli sono utilizzati in diverse sezioni del presente manuale:



Informazioni importanti e suggerimenti utili sull'utilizzo.



AVVERTENZA: Avvisi in merito a situazioni pericolose per la sicurezza di persone e cose.



Classe di isolamento elettrico.

1. Pulsante di accensione/spengimento
2. Pulsante di incremento potenza +
3. Pulsante di decremento potenza -
4. Pulsante rilascio bastone
5. Pulsante rilascio spazzola
6. Spazzola turboelettrica
7. Pulsante rilascio batterie
8. Corpo
9. Contenitore
10. Pulsante rilascio contenitore
11. Pulsante bastone piegabile
12. Stazione di ricarica
13. Spazzola per fessure
14. Supporto stazione di ricarica
15. Rullo per pavimenti rigidi
16. Spina di alimentazione
17. Gomito
18. Spazzola per tappezzeria
19. Spazzola mini turbo
20. Spazzola a setole morbide
21. Vite
22. Tassello

Dati tecnici

Potenza nominale in ingresso

: 450 W

Ingresso

:

100 - 240 V~ 50-60 Hz 0,8 A (max)

Uscita

: 36 V  0,6 A

Tempo di ricarica

: 4-5 ore

Potenza max. tempo di funzionamento

: 7 min.

Tempo di esecuzione a potenza media

: 22 min.

Potenza min. tempo di

funzionamento sino a : 45 min.

Parametri di alimentazione esterna

Produttore: Dongguan Yinli Electronics Co.,Ltd

Identificativo modello: YLS0241A-E360060

Tensione in ingresso: 100-240V~

Frequenza di ingresso: 50-60Hz

Corrente di ingresso: 0.8A

Tensione di uscita: 36.0V

Corrente di uscita: 0.6A

Potenza di uscita: 21.6W

Efficienza attiva media: 87.19%

Efficienza a basso carico(10%): 79.58%

Consumo energetico a vuoto: 0.09W



Questo prodotto è stato realizzato in impianti all'avanguardia e rispettosi dell'ambiente.

Conforme alla Direttiva RAEE.



Non contiene PCB.

1 Istruzioni importanti per la sicurezza e l'ambiente

Questa sezione contiene istruzioni di sicurezza che consentono di prevenire il pericolo di lesioni personali o di danni materiali.

L'inosservanza di queste istruzioni invalida la garanzia accordata.

1.1 Sicurezza generale

- Questo dispositivo risulta conforme agli standard di sicurezza internazionali.
- Questo apparecchio può essere usato da bambini di età superiore agli 8 anni e da persone con ridotte capacità fisiche, sensoriali o mentali o prive dell'esperienza e delle conoscenze necessarie solo sotto supervisione o con l'ausilio delle istruzioni riguardanti l'uso dell'apparecchio in modo sicuro e con la comprensione dei rischi che ne derivano. I bambini non devono giocare con l'apparecchio. Le operazioni di pulizia e manutenzione non devono essere eseguite da bambini in assenza di supervisione.
- Non utilizzarlo se l'adattatore o l'apparecchio stesso sono danneggiati. Contattare un servizio di assistenza tecnica autorizzato.
- Il proprio impianto elettrico deve essere conforme ai valori riportati sul dispositivo.
- Non utilizzare il dispositivo con una prolunga.
- Per evitare danni al cavo di alimentazione, evitare di schiacciarlo, piegarlo o strofinarlo su bordi taglienti.
- Non toccare l'apparecchio o la sua spina quando è inserita, se le mani sono umide o bagnate.
- Non tirare il cavo di alimentazione per staccare la spina dalla presa.
- Non aspirare materiali infiammabili e, nel caso di cenere di sigaretta, assicurarsi che non sia ancora calda.
- Non aspirare acqua o altri liquidi.
- Proteggere l'apparecchio da pioggia, umidità e fonti di calore.
- Non utilizzare mai il dispositivo all'interno o nei pressi di luoghi dove sia presente del combustibile o altro materiale infiammabile.
- Scollegare il dispositivo prima di effettuarne pulizia e manutenzione.
- Non immergere il dispositivo o il suo cavo in acqua con l'obiettivo di pulirli.

1 Istruzioni importanti per la sicurezza e l'ambiente

- Non tentare di smontare il dispositivo.
- Utilizzare esclusivamente componenti originali o consigliati dal produttore.
- Non pulire particelle come cemento, gesso e carta compressa per impedire che il filtro venga ostruito e il motore venga danneggiato.
- Utilizzare l'apparecchio solo con l'adattatore in dotazione.
- Non usare l'apparecchio senza filtri, altrimenti potrebbe danneggiarsi.
- Se si desidera conservare i materiali di imballaggio, tenerli fuori dalla portata dei bambini.
- Questo apparecchio non è pensato per l'uso da parte di persone (compresi i bambini) con ridotte capacità fisiche, sensoriali o mentali o mancata esperienza o conoscenze, se non sotto supervisione o con istruzioni riguardanti l'uso dell'apparecchio da parte di una persona responsabile della loro sicurezza.
- Controllare i bambini per assicurarsi che non giochino con l'apparecchio
- L'apparecchio deve essere utilizzato solo con l'unità di alimentazione in dotazione.
- L'adattatore deve essere rimosso dalla presa e il pacco batterie deve essere rimosso dall'apparecchio prima di pulire o sottoporre a manutenzione l'apparecchio.
- Qualora l'adattatore risulti danneggiato, dovrà essere sostituito dal produttore o dal suo agente o da una persona con qualifica analoga al fine di evitare pericoli.
- Tenere lontano dita, capelli e abiti svolazzanti da componenti mobili e aperture durante l'utilizzo dell'aspirapolvere
- La batteria deve essere rimossa dall'apparecchio prima di essere scartata;
- L'apparecchio deve essere scollegato dalla rete di alimentazione quando si rimuove la batteria;

1 Istruzioni importanti per la sicurezza e l'ambiente

- Smaltire le batterie usate in conformità con le norme e regolamentazioni locali.
- L'apparecchio contiene batterie che possono essere sostituite soltanto da persone esperte.
- **AVVERTENZA:** Per ricaricare la batteria utilizzare soltanto l'unità di alimentazione staccabile YLS0241A-E360060 fornita insieme all'apparecchio.
- Rimuovere e inserire le batterie in conformità con UM
- Le batterie ricaricabili devono essere rimosse dall'apparecchio prima di essere caricate;
- Non mischiare batterie di tipi diversi o batterie nuove e usate.
- Le batterie devono essere inserite con la polarità corretta.
- Le batterie esauste devono essere rimosse dall'apparecchio e smaltite in modo sicuro.
- Se l'apparecchio deve essere conservato senza utilizzarlo per un lungo periodo è necessario rimuovere le batterie.
- Non mandare in cortocircuito i terminali di alimentazione.
- Utilizzare esclusivamente con batteria ZB1858.
- L'apparecchio non deve essere utilizzato da persone (bambini compresi) con ridotte capacità fisiche, sensoriali o mentali, o con esperienza e conoscenza inadeguate, a meno che non siano state opportunamente istruite.
- i bambini devono essere sorvegliati e non devono giocare con l'apparecchio.

2 Montaggio delle parti

2.1 Gomito (17)

Il gomito consente l'estensione di applicazione d'uso del prodotto, una estremità infatti è collegata al bocchettone di aspirazione, l'altra è collegata con gli accessori, al fine di pulire angoli e spazi ristretti (7).

2.2 Spazzola per fessure (18) e spazzola a setole morbide (20)

Infilare la parte tubolare della spazzola nel bocchettone di aspirazione fino a sentire un click. La spazzola a setole morbide consente la pulizia di arredi senza danneggiarli (6-7).

2.3 Spazzola mini turbo (19)

Infilare la parte terminale della miniturbospazzola nel bocchettone di aspirazione fino a sentire un click.

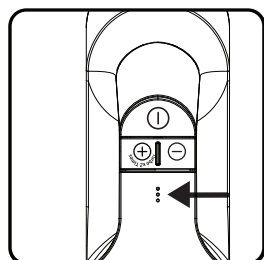
Rimuoverla premendo il rispettivo pulsante (6).

2.4 Rullo per pavimenti rigidi (15)

Il rullo per pavimenti rigidi è atto a una pulizia profonda su parquet, piastrelle e simili. (17)

3 Uso

3.1 Indicatore di carica



Indica lo stato di ricarica della batteria.

Funzionamento	Sotto carica	Batteria completamente carica	Bassa potenza
Luce bianca fissa	Luce bianca lampeggiante	Luce bianca fissa	Luce rossa lampeggiante

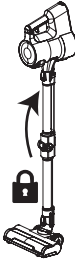
3.2 Stazione di ricarica (12)

Durante la carica della batteria, la luce bianca lampeggia.



- Al momento della ricezione del prodotto si prega di utilizzare il caricatore da noi fornito appositamente per ricaricare la batteria per 3 ore minimo (non è necessario caricarla completamente) e la frequenza di caricamento deve essere al massimo ogni 3 mesi.
- Non lasciare la batteria in carica per lungo tempo.
- Se non si usa la batteria per lungo tempo o è scarica oltre il limite, le prime volte dopo la ricarica il tempo di funzionamento potrebbe essere ridotto. Consigliamo di caricare la batteria (di solito in 6 ore) e scaricarla completamente. Ripetere due volte.

3 Uso

-  Il prodotto è in grado di rimanere in posizione verticale con il meccanismo di bloccaggio della spazzola. Per utilizzare questa funzione correttamente, il pavimento deve essere in piano (pavimentazione rigida, parquet, ecc.). Nel caso in cui il prodotto non sia utilizzato e quando viene riposto, è necessario tenerlo nella stazione di carica. L'aspirapolvere può rimanere in posizione verticale (su superfici come pavimentazioni rigide, parquet, ecc.) per brevi periodi di tempo (2-3 minuti), grazie al meccanismo di bloccaggio della spazzola.

4 Informazioni

4.1 Pulizia e manutenzione

Spegnere e scollegare il dispositivo prima di pulirlo.



AVVERTENZA: In nessun caso utilizzare benzina, solventi, detergenti abrasivi, oggetti metallici o spazzole dure per pulire il dispositivo.

4.2 Filtro HEPA

- Al fine di garantire le prestazioni del prodotto, consigliamo di pulire il filtro regolarmente e di sostituirlo dopo 3-6 mesi (a seconda dell'uso).



ATTENZIONE: Se non si usa per lungo tempo, assicurarsi che la batteria sia intatta, riporre in un luogo fresco e asciutto e tenerla nello stato di semi-ricarica. Evitare che sia completamente carica o del tutto scarica. Avvolgere la batteria con materiale non conduttivo per evitare che il metallo entri a diretto contatto con essa, danneggiandola.

4.3 Conformità alla direttiva WEEE e allo smaltimento dei rifiuti

Questo apparecchio è conforme alla Direttiva UE WEEE (2012/19/EU). Questo apparecchio riporta il simbolo di classificazione per i rifiuti delle apparecchiature elettriche ed elettroniche (WEEE).



Questo simbolo indica che questo prodotto non deve essere smaltito con altri rifiuti domestici al termine della sua vita utile. Il dispositivo usato deve essere portato a un punto di raccolta ufficiale per il riciclaggio di dispositivi elettrici ed elettronici. Per individuare questi punti di raccolta, contattare le proprie autorità locali oppure il rivenditore presso cui è stato acquistato il prodotto. Ciascuna famiglia ha un ruolo importante nel recupero e riciclaggio di vecchi apparecchi. Lo smaltimento appropriato degli apparecchi usati aiuta a prevenire potenziali conseguenze negative per l'ambiente e la salute umana.

4 Informazioni

4.4 Conformità alla Direttiva RoHS

L'apparecchio acquistato è conforme alla Direttiva UE RoHS (2011/65/EU). Non contiene materiali pericolosi o proibiti specificati nella Direttiva.

4.5 Informazioni di imballaggio



L'imballaggio del prodotto è fatto di materiali riciclabili in conformità con la normativa nazionale. Non smaltire i materiali di imballaggio con i rifiuti domestici o altri rifiuti. Portarli ai punti di raccolta per materiali di imballaggio previsti dalle autorità locali.

4.6 Informazioni sulle batterie da smaltire



Il simbolo sulle batterie (ricaricabili) o sulla confezione indica che la batteria (ricaricabile) non può essere smaltita con i normali rifiuti domestici. Per alcune batterie (ricaricabili), questo simbolo può essere integrato da un simbolo chimico. I simboli del mercurio (Hg) o del piombo (Pb) sono presenti se le batterie (ricaricabili) contengono più dello 0,0005% di mercurio o dello 0,004 % di piombo.

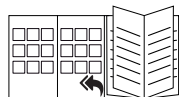
Le batterie (ricaricabili), comprese quelle che non contengono metalli pesanti, non devono essere smaltite con i rifiuti domestici. Smaltire sempre le batterie usate secondo le norme ambientali locali. Informarsi sulle normative locali applicabili in materia di smaltimento.

4.7 Conservazione

- Se si pensa di non usare l'apparecchio per un lungo periodo, riporlo con attenzione.
- Assicurarsi che l'apparecchio sia scollegato, freddo e completamente asciutto.
- Conservare l'apparecchio in un luogo fresco e asciutto.
- Tenere l'apparecchio lontano dalla portata dei bambini.
- Se non si usa per lungo tempo, assicurarsi che la batteria sia intatta, riporre in un luogo fresco e asciutto e tenerla nello stato di semi-ricarica. Evitare che sia completamente carica o del tutto scarica.
- Avvolgere la batteria con materiale non conduttivo per evitare che il metallo entri a diretto contatto con essa, danneggiandola.

4.8 Spostamento e trasporto

- Per la movimentazione e il trasporto del dispositivo, riporlo all'interno del suo imballaggio originale. L'imballo lo proteggerà contro eventuali danni materiali.
- Non posizionare carichi pesanti sul dispositivo o il suo imballaggio. Potrebbe danneggiarsi.
- Far cadere l'apparecchio potrebbe renderlo non funzionante o provocare danni permanenti.



Per avviamento, uso generale e pulizia, seguire le istruzioni nelle pagine 5-6-7 di questo manuale operativo.

5 Ricerca e risoluzione dei problemi

Guasti comuni	Causa possibile	Soluzioni
L'aspirapolvere non funziona	La batteria è scarica o quasi scarica	Si prega di caricare il prodotto prima del suo utilizzo
	Il bocchettone di aspirazione è bloccato.	Pulire l'apertura del bocchettone
L'aspirazione è troppo debole	Filtro e cilindro sono pieni di polvere	Pulire il contenitore e il filtro
	Intorno alla spazzola sono incastrati capelli e altri oggetti	Pulire i rulli della spazzola
	La situazione non cambia	Si prega di contattarci
Strano rumore di funzionamento del motore	Il bastone in alluminio è bloccato	Rimuovere qualsiasi impedimento
	La situazione non cambia	Si prega di contattarci
L'aspirapolvere fatica a funzionare	Troppi impedimenti nell'area sottoposta a pulizia	Rimuoverli manualmente
	Il bocchettone di aspirazione è bloccato	Pulire l'apertura del bocchettone
	La situazione non cambia	Si prega di contattarci
Il prodotto non si carica	La batteria e l'interfaccia del caricatore potrebbero non essere ben collegati ed inseriti	Si prega di controllare bene
	Il caricatore non è pienamente carico oppure è staccato dalla presa	Verificare e rimuoverlo
	La situazione non cambia	Si prega di contattarci
Guasti LED comuni	Causa possibile	Soluzioni
La luce rossa tremola	La batteria è scarica o quasi scarica	Si prega di caricare il prodotto prima del suo utilizzo
La luce rossa lampeggia	Collegare alla rete elettrica l'aspirapolvere così da far funzionare il motore	Pulire i rulli della spazzola
	Sovraccarico di corrente	Sostituire con un adattatore corretto
Durante il processo di scarica, lampeggiano le luci rossa e bianca	C'è un problema alla batteria	Si prega di contattarci
Durante il processo di carica, lampeggiano le luci rossa e bianca	La batteria non è inserita correttamente	<ol style="list-style-type: none"> 1- Rimuovere l'adattatore 2- Installare di nuovo la batteria 3- Inserire l'adattatore 4- Attenersi scrupolosamente alle precedenti fasi

CERTIFICATO DI GARANZIA

La presente garanzia commerciale si intende aggiuntiva e non sostitutiva di ogni altro diritto di cui gode il consumatore, intendendo per consumatore esclusivamente colui che utilizza il bene per scopi estranei all'attività imprenditoriale o professionale eventualmente svolta e pertanto per uso domestico/privato, e in particolare non pregiudica in alcun modo i diritti del consumatore stabiliti dal Dlgs 206/05. BEKO Italy S.r.l. in conformità alla facoltà prevista dalla legge, offre al consumatore una garanzia commerciale aggiuntiva, nei termini e nei modi di seguito indicati.

Questo certificato non deve essere spedito per la convalida. E' valido e operante solo se conservato assieme alla ricevuta fiscale o altro documento reso fiscalmente obbligatorio.

Condizioni di Garanzia

1. BEKO Italy S.r.l. garantisce l'apparecchio per un periodo di 2 anni dalla data di acquisto (12 mesi se acquistato con fattura di vendita e non con scontrino fiscale).
2. La garanzia è valida esclusivamente sul territorio italiano compresa la Repubblica di San Marino e la città del Vaticano e deve essere comprovata da scontrino fiscale o fattura, che riporti il nominativo del Rivenditore, la data di acquisto dell'apparecchio nonché gli estremi i identificativi dello stesso (tipo, modello).
3. Per garanzia s'intende la sostituzione o riparazione gratuita delle parti componenti l'apparecchio che sono risultate difettose all'origine, per vizi di fabbricazione.
4. L'utente decade dai diritti di garanzia se non denuncia il difetto di conformità entro 2 mesi dalla scoperta dello stesso.
5. Diritto di Chiamata: gratuita per i primi 12 mesi di garanzia, a pagamento per gli altri 12 mesi nel caso l'utente non sia in grado di provare che il difetto sia dovuto a vizio di conformità del prodotto.
6. Manodopera e ricambi gratuiti per i 24 mesi del periodo di garanzia.
7. L'intervento di riparazione viene effettuato presso il centro di assistenza reperibile presso il call centre e sul sito www.beko.it, fatto salvo i casi di impossibilità oggettiva o di forza maggiore.
8. La riparazione o sostituzione dei componenti o dell'apparecchio stesso, non estendono la durata della garanzia.
9. Tutte le parti asportabili e tutte le parti estetiche, non sono coperte da garanzia.
10. Tutti i materiali soggetti ad usura non sono coperti da garanzia a meno che venga dimostrata la difettosità risalente a vizio di fabbricazione delle stesse.
11. La BEKO Italy S.r.l. declina ogni responsabilità per eventuali danni che possano derivare, direttamente od indirettamente, a persone e cose come conseguenza del mancato rispetto delle istruzioni tutte, incluse nell'apposito Manuale per l'uso dell'apparecchio allegato a ciascuno apparecchio, da parte dell'utente ed in particolar modo per quanto concerne le avvertenze relative alla installazione, all'uso ed alla manutenzione dell'apparecchio stesso.
12. La garanzia non diventa operante e l'assistenza sarà effettuata totalmente a pagamento nei seguenti casi:
 - a. Danni dovuti al trasporto o alla movimentazione delle merci.
 - b. Interventi di installazione e montaggio, così come l'errata connessione o errata erogazione dalle reti di alimentazione, mancanza di allacciamento alla presa di terra.
 - c. Installazione errata, imperfetta o incompleta, per incapacità d'uso da parte dell'Utente, se mancano gli spazi necessari ad operare attorno ai prodotti, per eccessiva o scarsa temperatura dell'ambiente.,
 - d. Interventi nei quali non è stato riscontrato il difetto lamentato, o per generici problemi di funzionamento causati da errata impressione del cliente
 - e. Danni causati da agenti atmosferici (fulmini, terremoti, incendi, alluvioni, ecc.)
 - f. Se il numero di matricola risulta asportato, cancellato o manomesso.
 - g. Riparazioni, modifiche o manomissioni effettuate da persone non autorizzate dal produttore o comunque per cause non dipendenti dal prodotto. Per guasti dovuti a mancanza di regolare manutenzione (pulizia e manutenzione del prodotto.),
 - h. Mancanza dei documenti fiscali o se gli stessi risultano contraffatti o non inerenti al prodotto.
 - i. L'uso improprio dell'apparecchio, non di tipo domestico o diverso da quanto stabilito dal produttore, fa decadere il diritto alla Garanzia.
 - j. Per tutte le circostanze esterne che non siano riconducibili a difetti di fabbricazione dell'elettrodomestico.
 - k. Si intendono a pagamento anche tutti gli eventuali trasporti necessari per lo svolgimento degli interventi legati ai casi citati.

Il Servizio Assistenza di BEKO Italy S.r.l. è l'unico autorizzato a riparare i prodotti a marchio BEKO. Per ogni controversia è competente il foro di Milano.

Durante e dopo il periodo di garanzia, vi consigliamo di rivolgervi sempre ai nostri centri di assistenza autorizzati. Per contattare il Centro di Assistenza Tecnica Autorizzato operante nella sua zona chiami il numero unico per l'Italia:

02.03.03

Prima di contattare l'assistenza tecnica, al fine di agevolare la gestione della chiamata, è necessario avere a portata di mano il modello del prodotto e il documento fiscale di acquisto.

Przed rozpoczęciem użytkowania należy zapoznać się z instrukcją obsługi!

Szanowni Klienci, dziękujemy za wybranie produktu firmy Beko. Mamy nadzieję, że wyrób ten, wyprodukowany z zapewnieniem wysokiej jakości przy użyciu najnowszych technologii, okaże się w pełni zadowalający. Przed użyciem urządzenia należy uważnie przeczytać całą instrukcję obsługi oraz towarzyszące jej dokumenty i zachować ją do wglądu na przyszłość. Przekazując wyrób innemu użytkownikowi, należy dołączyć również niniejszą instrukcję. Proszę przestrzegać wszystkich ostrzeżeń i informacji zawartych w tej instrukcji obsługi.

Znaczenie symboli

W niniejszej instrukcji stosuje się następujące symbole:



Ważne informacje i przydatne wskazówki dotyczące użytkowania.



OSTRZEŻENIE: Ostrzeżenia dotyczące sytuacji zagrażających bezpieczeństwu, życiu i mieniu.



Klasa ochrony przeciwporażeniowej.

1. Przycisk wł./wyl.
2. Przycisk trybu +
3. Przycisk trybu -
4. Przycisk zwalniający rurę
5. Przycisk zwalniający szczotkę
6. Elektryczna szczotka turbo
7. Przycisk zwalniający akumulator
8. Korpus urządzenia
9. Osłona przeciwkurzowa
10. Przycisk zwalniający osłonę przeciwkurzową
11. Przycisk rury składanej
12. Stacja ładująca
13. Rura stacji ładującej
14. Wspornik stacji ładującej
15. Wałek do twardych powierzchni
16. Wtyczka zasilania
17. Kolanko
18. Końcówka szczelinowa
19. Szczotka turbo mini
20. Miękką szczotką
21. Śruba
22. Kołek

Parametr zasilania zewnętrznego

Producent: Dongguan Yinli Electronics Co.,Ltd

Identyfikator modelu: YLS0241A-E360060

Napięcie wejściowe: 100-240 V~

Częstotliwość wejściowa: 50-60 Hz

Natężenie prądu na wejściu: 0,8 A

Napięcie wyjściowe: 36.0 V

Natężenie prądu na wyjściu: 0.6 A

Moc wyjściowa: 21.6 W

Średnia wydajność podczas działania: 87.19%

Wydajność przy niskim obciążeniu (10%): 79.58%

Pobór mocy bez obciążenia: 0.09W



Dane techniczne

Znamionowa moc

wejściowa : 450 W

Wejście

: 100-240 V~ 50-60Hz 0,8 A (maks.)

Wyjście

: 36 V ~ 0,6 A

Czas ładowania

: 4-5 godziny

Czas pracy przy najwyższym poziomie mocy : 7min

Czas pracy ze

średnią mocą : 22 min

Czas pracy przy najniższym poziomie mocy do : 45 min

Zastrzega się prawo do wprowadzania modyfikacji konstrukcji i danych technicznych.

Wartości podane w oznaczeniach umieszczonych na tym urządzeniu lub w innych dostarczanych wraz z nim materiałach drukowanych uzyskano w warunkach laboratoryjnych zgodnie z obowiązującymi normami. Wartości te mogą się różnić w zależności od sposobu użytkowania urządzenia i warunków w jego otoczeniu.

Urządzenie zostało wyprodukowane w bezpiecznych dla środowiska, nowoczesnych zakładach.

Wyrób zgodny z dyrektywą WEEE.



Nie zawiera polichlorowanych bifenyli (PCB).

1 Ważne instrukcje dotyczące bezpieczeństwa i ochrony środowiska

Rozdział ten zawiera instrukcje bezpieczeństwa, które pomogą w uniknięciu obrażeń ciała i uszkodzeń mienia.

Nieprzestrzeganie tych instrukcji spowoduje unieważnienie udzielonej gwarancji.

1.1 Ogólne zasady bezpieczeństwa

- Urządzenie jest zgodne z międzynarodowymi normami bezpieczeństwa.
- To urządzenie może być obsługiwane przez dzieci w wieku 8 lat i starsze, osoby niepełnosprawne fizycznie, psychicznie lub sensorycznie, a także osoby bez doświadczenia lub wiedzy w zakresie obsługi urządzenia, o ile znajdują się one pod nadzorem lub zostały szczegółowo poinstruowane o bezpiecznym korzystaniu z urządzenia i potencjalnych zagrożeniach. Dzieci nie mogą bawić się tym urządzeniem. Dzieci bez nadzoru nie mogą czyścić ani konserwować tego urządzenia.
- Nie należy używać urządzenia, jeśli uszkodzony jest jego przewód zasilający lub samo urządzenie.

Należy skontaktować się z autoryzowanym punktem serwisowym.

- Zasilanie z domowej sieci elektrycznej powinno być zgodne z informacjami podanymi na tabliczce znamionowej urządzenia.
- Z urządzeniem nie należy używać przedłużaczy.
- Aby zapobiec uszkodzeniu przewodu zasilającego, nie wolno dopuścić do jego ściskania, zginania lub ocierania o ostre krawędzie.
- Nie wolno dotykać urządzenia i jego wtyczki mokrymi ani wilgotnymi dłońmi, jeśli jest ono podłączone do zasilania.
- Nie należy wyjmować wtyczki z gniazdka ciągnąc za przewód zasilający.
- Nie odkurzać materiałów palnych, a podczas odkurzania popiołu z papierosów upewnić się, że jest on zimny.
- Nie odkurzać wody ani innych cieczy.
- Chronić urządzenie przed deszczem, wilgocią i źródłami ciepła.

1 Ważne instrukcje dotyczące bezpieczeństwa i ochrony środowiska

- Nigdy nie używać urządzenia w miejscach przechowywania materiałów wybuchowych lub łatwopalnych ani w ich pobliżu.
- Przed przystąpieniem do czyszczenia i konserwacji urządzenia należy odłączyć je od zasilania.
- Podczas czyszczenia nie wolno zanurzać urządzenia ani przewodu zasilającego w wodzie.
- Nie należy próbować rozkładać tego urządzenia na części.
- Należy stosować wyłącznie oryginalne lub zalecane przez producenta części zamienne.
- Nie odkurzać pozostałości cementu, gipsu i sprasowanego papieru, aby zapobiec zatkaniu filtra i uszkodzeniu silnika.
- Urządzenia należy używać wyłącznie z dołączonym zasilaczem.
- Nie używać urządzenia bez filtrów. Może to spowodować jego uszkodzenie.
- Opakowanie urządzenia należy przechowywać poza zasięgiem dzieci.
- Urządzenie to nie jest przeznaczone do użytku przez osoby (w tym dzieci) o ograniczonej sprawności fizycznej, sensorycznej lub psychicznej bądź niemające doświadczenia i umiejętności, chyba że są nadzorowane lub zostały poinstruowane na temat obsługi tego urządzenia przez osobę odpowiedzialną za ich bezpieczeństwo.
- Należy zawsze uważać, aby dzieci nie bawiły się tym urządzeniem.
- Urządzenie można użytkować tylko z zasilaczem dostarczonym z tym urządzeniem.
- Adapter należy usunąć z gniazda zasilania, a akumulatory należy wyjąć z urządzenia przed jego czyszczeniem lub konserwacją.
- W razie uszkodzenia adaptera należy go wymienić u producenta, jego przedstawiciela lub u osoby o równoważnych kwalifikacjach, aby uniknąć niebezpieczeństwa.
- Podczas używania odkurzacza należy trzymać palce, włosy i luźne elementy odzieży za dala od jego ruchomych części i otworów.

1 Ważne instrukcje dotyczące bezpieczeństwa i ochrony środowiska

- Akumulator trzeba wyjąć z urządzenia, zanim zostanie zezłomowany.
- Urządzenie należy odłączyć od źródła zasilania podczas wyjmowania akumulatora.
- Akumulatory należy utylizować zgodnie z lokalnymi przepisami.
- To urządzenie zawiera akumulatory, które może wymieniać jedynie odpowiednio wyszkolona osoba.
- **OSTRZEŻENIE:** W celu naładowania akumulatora należy korzystać jedynie z odłączanej jednostki zasilania YLS0241A-E360060 dostarczonej wraz z urządzeniem.
- Akumulatory należy wyjmować i wkładać ponownie zgodnie z opisem zawartym w instrukcji użytkownika.
- Akumulatory należy wyjąć z urządzenia przed ładowaniem.
- Nie można łączyć różnych typów akumulatorów oraz nowych i używanych akumulatorów.
- Akumulatory należy umieścić zgodnie z ich biegunowością.
- Zużyte akumulatory należy wyjąć z urządzenia i bezpiecznie zutylizować.
- Jeśli urządzenie nie będzie używane przez dłuższy czas, należy wyjąć z niego akumulatory.
- Zaciski zasilania nie mogą być zwierane.
- Używać wyłącznie z baterią ZB1858.
- Urządzenie nie jest przeznaczone do użytku przez osoby (w tym dzieci) o ograniczonej sprawności fizycznej, sensorycznej lub psychicznej bądź bez odpowiedniego doświadczenia i wiedzy, chyba że są nadzorowane lub zostały poinstruowane na temat jego obsługi.
- Dzieci należy nadzorować, aby nie mogły bawić się urządzeniem.

2 Montaż części

2.1 Kolanko (17)

Kolanko jest narzędziem przedłużającym, jeden koniec wkładany jest do portu ssącego, a drugi połączony jest z akcesoriami do czyszczenia narożników lub wąskich przestrzeni (7).

2.2 Końcówka szczelinowa (18) i miękka szczotka (20)

Wcisnąć okrągłą część akcesorium w część ssącą, aż rozlegnie się kliknięcie. Miękka szczotka czyści meble bez uszkodzeń (6-7).

2.3 Szczotka turbo mini (19)

Wcisnąć końcówkę szczotki mini w część ssącą, aż rozlegnie się kliknięcie.

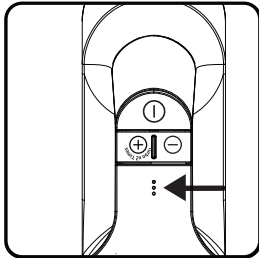
Usunąć ją, pociągając za przyciski (6).

2.4 Wałek do twardych powierzchni (15)

Wałek do twardych powierzchni zapewnia wyższą skuteczność czyszczenia parkietu, płytek itp. (17)

3 Użytkowanie

3.1 Wskaźnik ładowania



Wskazuje stan naładowania baterii.

Pracuje	Ładowanie	W pełni naładowany	Niski poziom naładowania
Ciągłe białe światło	Migające białe światło	Ciągłe białe światło	Migające czerwone światło

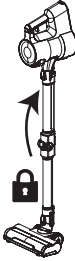
3.2 Stacja ładująca (12)

Podczas ładowania akumulatora w stacji ładującej wskaźnik ładowania miga na biało.



- Po otrzymaniu tego produktu należy skorzystać z ładowarki dołączonej przez naszą firmę w celu doładowania akumulatora przez 3 godziny (nie trzeba naładować go całkowicie), a częstotliwość ładowania nie powinna być mniejsza niż raz na 3 miesiące.
- Nie umieszczać akumulatora w stacji ładowania na długi czas.
- Jeżeli akumulator nie jest używany przez długi czas lub został nadmiernie rozładowany, może się okazać, że czas pracy jest skrócony w trakcie kilku początkowych użyc. Zalecamy w pełni naładować akumulator (zwykle 6 godzin) i rozładować go. Powtórzyć tę czynność dwa razy.

3 Użytkowanie

-  Mechanizm blokady szczotki umożliwia ustawienie produktu w pozycji pionowej. Prawidłowe działanie tej funkcji jest możliwe wyłącznie na równym podłożu (twarda podłoga, parkiet itd.). Podczas przechowywania lub w przypadku niekorzystania z produktu należy umieścić go na stacji ładowania. Dzięki mechanizmowi blokady szczotki odkurzacz można na krótki czas (2-3 minuty) ustawić w pozycji pionowej (np. na twardej podłodze, parkiecie).

4 Informacje

4.1 Czyszczenie i konserwacja

Przed czyszczeniem należy wyłączyć urządzenie i wyciągnąć wtyczkę z gniazdka.



OSTRZEŻENIE: Do czyszczenia urządzenia nie wolno używać benzyny, rozpuszczalników, szorstkich środków czyszczących, przedmiotów metalowych ani twardej szczotek.

4.2 Filtr HEPA

- Aby zapewnić wysoką wydajność, zalecane jest regularne czyszczenie i wymiana filtra raz na 3-6 miesięcy. (W zależności od tego, jak często urządzenie jest używane)



OSTRZEŻENIE: W przypadku nieużywania przez długi czas naładowany do połowy akumulator należy przechowywać w chłodnym, suchym miejscu w stanie nienaruszonym. Naładowany częściowo lub rozładowany. Akumulator należy owinać nieprzewodzącym materiałem, aby uniknąć bezpośredniego kontaktu z metalem, co spowoduje uszkodzenie akumulatora.

4.3 Zgodność z dyrektywą WEEE i usuwanie odpadów



Niniejszy wyrób jest zgodny z dyrektywą Parlamentu Europejskiego i Rady (2012/19/WE). Wyrób ten oznaczony jest symbolem klasyfikacji zużytych urządzeń elektrycznych i elektronicznych (WEEE).

Ten symbol oznacza, że sprzęt nie może być umieszczany łącznie z innymi odpadami gospodarstwa domowego po okresie jego użytkowania. Zużyte urządzenie należy oddać do specjalnego punktu zbiórki zużytego sprzętu elektrycznego i elektronicznego w celu utylizacji. Aby uzyskać informacje o punktach zbiórki w swojej okolicy należy skontaktować się z lokalnymi władzami lub punktem sprzedaży tego produktu. Gospodarstwo domowe spełnia ważną rolę w przyczynianiu się do ponownego użycia i odzysku zużytego sprzętu. Odpowiednie postępowanie ze zużytym sprzętem zapobiega potencjalnym negatywnym konsekwencjom dla środowiska naturalnego i ludzkiego zdrowia.

4 Informacje

4.4 Zgodność z dyrektywą RoHS

Niniejszy wyrób jest zgodny z dyrektywą Parlamentu Europejskiego i Rady RoHS (Ograniczenie użycia substancji niebezpiecznych) (2011/65/WE). Nie zawiera szkodliwych i zakazanych materiałów, podanych w tej dyrektywie

4.5 Opakowanie urządzenia



Opakowanie urządzenia jest wykonane z materiałów nadających się do recyklingu. Opakowanie należy usunąć w sposób zgodny z lokalnymi przepisami w zakresie ochrony środowiska, tak aby wszystkie materiały zostały poddane recyklingowi.

4.6 Informacje o użytych akumulatorach



Ten symbol na akumulatorach wielokrotnego ładowania / akumulatorach lub na opakowaniu wskazuje, że akumulatory wielokrotnego ładowania / akumulatory nie mogą być wyrzucane razem ze zwykłymi odpadami domowymi. W przypadku niektórych akumulatorów wielokrotnego ładowania / akumulatorów symbol ten może zostać zastąpiony symbolem chemicznym. Symbole rtęci (Hg) lub ołowiu (Pb) umieszczone są, jeżeli akumulatory wielokrotnego ładowania / akumulatory zawierają więcej niż 0,0005% rtęci lub więcej niż 0,004% ołowiu.

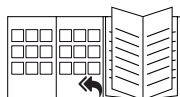
Akumulatorów wielokrotnego ładowania / akumulatorów, łącznie z tymi, które nie zawierają metali ciężkich, nie należy wyrzucać razem z odpadkami domowymi. Zużyte akumulatory należy zawsze utylizować zgodnie z miejscowymi przepisami ochrony środowiska. Zapytaj o obowiązujące przepisy dotyczące utylizacji w miejscu, w którym mieszkasz.

4.7 Przechowywanie

- Jeśli urządzenie nie będzie używane przez dłuższy czas, należy je starannie przechowywać.
- Upewnij się, że urządzenie jest odłączone od sieci, zimne i zupełnie suche.
- Przechowuj urządzenie w chłodnym i suchym miejscu.
- Urządzenie należy trzymać poza zasięgiem dzieci.
- W przypadku nieużywania przez długi czas naładowany do połowy akumulator należy przechowywać w chłodnym, suchym miejscu w stanie nienaruszonym. Naładowany częściowo lub rozładowany.
- Akumulator należy owinąć nieprzewodzącym materiałem, aby uniknąć bezpośredniego kontaktu z metalem, co spowoduje uszkodzenie akumulatora.

4.8 Przenoszenie i transport

- Urządzenie należy przenosić i transportować w oryginalnym opakowaniu. Zabezpiecza ono urządzenie przed fizycznymi uszkodzeniami.
- Nie wolno umieszczać ciężkich ładunków na urządzeniu lub opakowaniu. Może to spowodować uszkodzenie urządzenia.
- Upuszczenie urządzenia może spowodować jego awarię lub trwałe uszkodzenie.



W przypadku pierwszego wykorzystania, ogólnego użytkowania oraz czyszczenia prosimy zapoznać się z instrukcjami dostępnymi na stronach 5-6-7

niniejszej instrukcji.

5 Usuwanie problemów

Zdarzająca się usterka	Możliwa przyczyna	Rozwiązania
Odkurzacz nie działa	Produkt jest odłączony od zasilania lub akumulator jest rozładowany	Proszę naładować produkt przed użyciem
	Port ssący produktu jest zablokowany.	Oczyszczenie wlotu ssącego produktu
Za słabe ssanie	Komora na kurz oraz zespół filtra są zabrudzone	Oczyszczyć komorę filtra oraz materiał filtra
	Włosy i inne przedmioty zaplątały się w szczotkę obrotową	Oczyszczyć szczotkę obrotową
	Sytuacja się nie zmienia	Skontaktować się z naszą obsługą posprzedażową
Nietypowy dźwięk pracy silnika	Rura aluminiowa jest zatkana	Usunąć blokadę
	Sytuacja się nie zmienia	Skontaktować się z naszą obsługą posprzedażową
Odkurzacz niedokładnie odkurza	Za dużo przeszkód w miejscu odkurzania	Ręcznie usunąć przeszkody
	Port ssący produktu jest zablokowany	Oczyszczyć wlot ssący produktu
	Sytuacja się nie zmienia	Skontaktować się z naszą obsługą posprzedażową
Produktu nie można naładować	Akumulator nie jest dobrze podłączony do złącza ładowarki	Sprawdzić i prawidłowo podłączyć
	Ładowarka lub zbiornik nie jest całkowicie naładowana(-ny) lub jest luźna(-ny)	Sprawdzić i odłożyć
	Sytuacja się nie zmienia	Proszę się z nami skontaktować
Zdarzające się usterki LED	Możliwa przyczyna	Rozwiązania
Czerwona kontrolka miga	Produkt jest odłączony od zasilania lub akumulator jest rozładowany	Proszę naładować produkt przed użyciem
Czerwona kontrolka się świeci	Złącze szczotki oraz główny silnik szczotki działa	Oczyszczyć szczotkę obrotową
	Prąd przeładowania jest za wysoki	Zastosować odpowiedni adapter
Czerwona kontrolka i biała kontrolka świecą się w trakcie rozładowywania	Problem z akumulatorem	Skontaktować się z naszą obsługą posprzedażową
Czerwona kontrolka i biała kontrolka świecą się w trakcie ładowania	Akumulator jest nieprawidłowo zamontowany	1 - Odłączyć adapter 2 - Ponownie zamontować akumulator 3 - Włożyć adapter 4 - Postępować dokładnie według powyższego opisu

Szanowni Państwo,

Dziękujemy za okazane nam zaufanie. Cieszymy się, że zdecydowali się Państwo na wybór naszego produktu. Naszą misją jest dostarczanie Państwu niezawodnych rozwiązań, które ułatwią życie i uprzyjemnią codzienne obowiązki. Mamy nadzieję, że zakupiony sprzęt spełni Państwa oczekiwania i stanie się nowym przyjacielem w domu.

Jeżeli urządzenie ulegnie awarii prosimy skontaktować się ze sprzedawcą lub infolinią Beko. Warunki gwarancji są dostępne na stronie internetowej www.beko.pl.

Podstawą do udzielenia 24 miesięcznej gwarancji jest przedstawienie dowodu zakupu zawierającego czytelny symbol urządzenia, datę zakupu i dane sprzedawcy.

Gwarancja jest udzielana Użytkownikowi dodatkowo i nie wyłącza, nie ogranicza ani nie zawieszają uprawnień Użytkownika wynikających z przepisów o rękojmi za wady rzeczy sprzedanej na podstawie Kodeksu cywilnego.



INFOLINIA

222 50 14 14

7 DNI W TYGODNIU OD 8:00 DO 20:00

Lees deze handleiding eerst!

Beste klant,

Wij danken u dat u een product van Beko heeft gekozen. We hopen dat u het beste haalt uit uw product, dat vervaardigd is met de modernste technologie van hoge kwaliteit. Lees daarom deze gehele gebruikershandleiding en alle andere verstrekte documenten zorgvuldig door voordat u het product gaat gebruiken en bewaar deze ter referentie in de toekomst. Als u het product aan iemand anders geeft, overhandig dan ook de gebruikershandleiding.

Volg de instructies op door op alle informatie en waarschuwingen te letten in de gebruikershandleiding.

1. Aan/-/uit-knop
2. Modusknop +
3. Modusknop -
4. Vrijgaveknop van de stang
5. Vrijgaveknop van de borstel
6. Elektrische turboborstel
7. Vrijgaveknop voor het batterijvak
8. Machinebehuizing
9. Stofreservoir
10. Vrijgaveklop voor stofreservoir
11. Knop voor opvouwbare buis
12. Oplader
13. Stang oplader
14. Houder oplader
15. Roller voor harde vloeren
16. Stroomstekker
17. Elleboog
18. Spletenaccessoire
19. Mini-turboborstel
20. Zachte borstel
21. Schroef
22. Wandplug

Betekenis van de symbolen

De volgende symbolen worden gebruikt in de verschillende delen van deze handleiding:



Belangrijke informatie en nuttige aanwijzingen voor gebruik.



WAARSCHUWING:

Waarschuwingen voor levensgevaarlijke situaties en schade aan eigendommen.



Beschermingsklasse voor een elektrische schok.

Technische gegevens

Nominaal ingaand vermogen : 450 W

Invoer :

100 - 240 V ~ 50-60 Hz 0,8 A (max.)

Uitvoer : 36 V  0,6 A

Oplaadtijd : 4 - 5 uur

Werkingsijd bij max. vermogen: 7 min.

Looptijd op medium vermogen: 22 min.

Werkingsijd bij min. vermogen maximaal: 45 min.

Technische aanpassingen of ontwerpwijzigingen onder voorbehoud.

De waarden die u aantreft op de labels die zich op het apparaat bevinden of in de meegeleverde gedrukte documenten vertegenwoordigen de waarden die werden verkregen in de laboratoria conform de relevante standaarden. Deze waarden kunnen variëren, afhankelijk van het gebruik van het apparaat en de omgevingsomstandigheden.



Dit apparaat is in een milieuvriendelijke, moderne faciliteit geproduceerd.



Dit product bevat geen pcb.

Parameter van externe voeding

Fabrikant: Dongguan Yinli Electronics Co.,Ltd

Typeaanduiding: YLS0241A-E360060

Ingangsspanning: 100-240V~

Ingangsfrequentie: 50-60Hz

Ingangsstroom: 0,8A

Uitgangsspanning: 36.0V

Uitgangsstroom: 0.6A

Uitgangsvermogen: 21.6W

Gemiddelde actieve efficiëntie: 87.19%

Efficiëntie bij lage belasting (10%): 79.58%

Nullast stroomverbruik: 0.09W

1 Belangrijke veiligheids- en milieu-instructies

Dit deel bevat veiligheidsinstructies die u beschermen tegen het risico op persoonlijk letsel of materiële schade.

Het niet naleven van deze instructies laat de garantie vervallen.

1.1 Algemene veiligheid

- Dit apparaat voldoet aan de internationale veiligheidsnormen.
- Dit apparaat kan worden gebruikt door kinderen vanaf 8 jaar en personen met verminderde fysieke, zintuiglijke of mentale vermogens, of met een gebrek aan ervaring en kennis, als deze onder toezicht staan of instructies hebben gekregen betreffende het veilige gebruik van het apparaat en op de hoogte zijn van de betrokken gevaren. Laat kinderen niet met het apparaat spelen. Reiniging en gebruikersonderhoud dienen niet zonder toezicht door kinderen uitgevoerd te worden.
- Gebruik het apparaat niet als de adapter of het apparaat zelf is beschadigd. Neem contact op met een erkende servicedienst.
- Uw netstroom moet overeenkomen met de informatie die u aantreft op het typeplaatje van het apparaat.
- Gebruik het apparaat niet met een verlengsnoer.
- Voorkom schade aan het netsnoer door er niet in te knijpen, het snoer te buigen of tegen scherpe randen te wrijven.
- Raak het apparaat of zijn stekker als die in het stopcontact zit niet aan met natte of vochtige handen.
- Trek niet aan het stroomsnoer bij het uittrekken van de stekker.
- Zuig geen ontvlambare materialen op en zorg er bij opzuigen van sigarettenas voor dat deze afgekoeld is.
- Zuig geen water of andere vloeistoffen op.
- Behoed het apparaat tegen regen, vocht en warmtebronnen.
- Het apparaat nooit gebruiken in of in de buurt van brandbare, ontvlambare omgevingen.
- Trek de stekker van het apparaat uit voor reiniging of onderhoud.
- Dompel het apparaat of de stroomkabel bij reiniging niet in water.
- Probeer het apparaat niet uit elkaar te halen.

1 Belangrijke veiligheids- en milieu-instructies

- Gebruik alleen de originele onderdelen of onderdelen aanbevolen door de fabrikant.
- Zuig geen deeltjes op als cement, gips en gecompriemd papier omdat deze het filter kunnen verstopen en de motor daardoor beschadigd kan raken.
- Gebruik het apparaat uitsluitend met de meegeleverde adapter.
- Gebruik het apparaat niet zonder filters, want daardoor kan het beschadigd raken.
- Als u de verpakkingsmaterialen bewaart, berg ze dan op buiten het bereik van kinderen.
- Dit toestel is niet bedoeld voor gebruik door personen (waaronder kinderen) met beperkte fysieke, zintuigelijke of mentale capaciteiten of met een gebrek aan ervaring en kennis, tenzij ze onder toezicht staan of instructies hebben gekregen over het gebruik van het toestel door een persoon die verantwoordelijk is voor hun veiligheid.
- Kinderen moeten onder toezicht staan om ervoor te zorgen dat ze niet spelen met het apparaat.
- Het apparaat dient uitsluitend gebruikt te worden met de stroomstekker die met het apparaat is meegeleverd.
- De adapter moet uit het stopcontact worden getrokken en de batterij moet van het apparaat worden gehaald voordat het apparaat wordt gereinigd of onderhoud wordt uitgevoerd.
- Als het stroomsnoer beschadigd is, moet het worden vervangen door de fabrikant of zijn serviceagent of een vergelijkbaar gekwalificeerde persoon om gevaar te vermijden.
- Houd tijdens het gebruik van de stofzuiger vingers, haar en losse kleding verwijderd van de bewegende delen en openingen.
- De batterij moet uit het apparaat zijn verwijderd voordat het veilig wordt gesloopt;
- Het apparaat moet van het stopcontact worden losgekoppeld als de batterij wordt verwijderd;
- Gooi gebruikte batterijen weg volgens de plaatselijke wetgeving en voorschriften.
- Dit apparaat bevat batterijen die uitsluitend door vakkundige personen kunnen worden vervangen.

1 Belangrijke veiligheids- en milieu-instructies

- **WAARSCHUWING:** Gebruik voor het opladen van de batterij uitsluitend het afneembare voedingsapparaat YLS0241A-E360060 dat met dit apparaat is meegeleverd.
- Raadpleeg de gebruikershandleiding voor verwijdering en plaatsing van batterijen.
- Voordat het apparaat wordt opgeladen, moeten de oplaadbare batterijen uit het apparaat worden verwijderd;
- Meng geen verschillende batterijen of nieuw en oude batterijen.
- Batterijen moeten worden geplaatst volgens de juiste polariteit.
- Lege batterijen moeten uit het apparaat worden verwijderd en veilig worden weggegooid.
- Indien het apparaat gedurende langere tijd ongebruikt zal worden opgeborgen, verwijder dan de batterijen.
- De voedingsaansluitblokken mogen niet worden kortgesloten.
- Gebruik uitsluitend met ZB1858-batterij.
- Het toestel mag niet worden gebruikt door personen (waaronder kinderen) met beperkte fysieke, zintuigelijke of mentale capaciteiten of met een gebrek aan ervaring en kennis, tenzij ze onder toezicht staan of instructies hebben gekregen.
- Begeleide kinderen die werden geïnstrueerd om niet met het toestel te spelen.

2 Onderdelenmontage

2.1 Elleboog (17)

De elleboog is een verlengstuk. Het ene uiteinde wordt in de afzuigaansluiting gestoken en het andere uiteinde wordt aangesloten op de accessoires, die dienen voor hoekjes of nauwe ruimtes (7).

2.2 Spletenaccessoire (18) en zachte borstel (20)

Duw het ronde deel van het accessoire in het zuiggedeelte totdat het vastklikt. De zachte borstel reinigt uw meubelen zonder deze te beschadigen (6-7).

2.3 Mini-turboborstel (19)

Duw het ronde deel van de mini-borstel in het zuiggedeelte totdat het vastklikt.

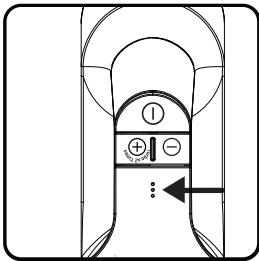
Verwijder het door bij de knoppen te trekken (6).

2.4 Roller voor harde vloeren (15)

Roller voor harde vloeren zorgt voor betere schoonmaakprestaties op parket, tegels enz. (17)

3 Gebruik

3.1 Opladlampje



Het geeft de status aan van hoe vol de batterij is.

In werking	Bezig met opladen	Volledig opgeladen	Laag vermogen
Voortdurende wit lampje	Knipperend wit lampje	Voortdurende wit lampje	Knipperend rood lampje

3.2 Oplader (11)

Tijdens het opladen van de batterij op de oplader knippert het witte lampje op de oplader.



- Gebruik bij de ontvangst van dit product de oplader die door ons bedrijf werd meegeleverd om de batterij gedurende 3 uur op te laden (hoeft niet volledig opgeladen te worden) en u dient een oplaadfrequentie van 3 maanden aan te houden.
- Plaats de batterij niet heel lang op de oplader.
- Als de batterij lange tijd niet wordt gebruikt of als deze wordt overbeladen, zult u merken dat de werktijd de eerste paar keer wordt verkort. We raden u aan de batterij volledig op te laden (doorgaans 6 uur) en hem volledig leeg te maken. Herhaal deze handeling tweemaal.

3 Gebruik

-  Het product kan met het vergrendelmechanisme van de borstel rechtop blijven staan. Om deze functie correct te gebruiken dient de vloer vlak te zijn (harde vloer, parket, enz.). Als het product niet wordt gebruikt en wordt opgeborgen, moet het op zijn oplader blijven. De stofzuiger kan gedurende korte tijd (2-3 minuten) rechtop blijven staan (op oppervlakken als harde vloeren, parket, enz.) dankzij het vergrendelmechanisme van de borstel.

4 Informatie

4.1 Reiniging en onderhoud

Trek de stekker van het apparaat uit voordat u het reinigt.



WAARSCHUWING: Gebruik nooit benzine, oplosmiddelen of schuurmiddelen, metalen voorwerpen of harde borstels om het apparaat schoon te maken.

4.2 Hepa-filter

- Om de prestaties van het product te kunnen garanderen, raden wij u een regelmatige reiniging aan en vervanging iedere 3-6 maanden. (afhankelijk van het gebruik)



WAARSCHUWING: Indien gebruik voor lange tijd wordt gestaakt, houd de batterij intact en bewaar deze op een koele en droge plaats, met de batterij half opgeladen. Niet vol of leeg. Verpak de batterij in niet-geleidend materiaal om direct contact tussen de batterij en het metaal te vermijden, want dit kan de batterij beschadigen.

4.3 Opslag

- Als u van plan bent het apparaat gedurende een lange periode niet te gebruiken, ruim het dan zorgvuldig op.
- Trek de stekker uit het apparaat.
- Bewaar het apparaat buiten het bereik van kinderen.
- Als het langdurig niet wordt gebruikt, houdt u de batterij intact op een koele en droge plaats en halfvol geladen. Niet vol of leeg.
- Verpak de batterij in niet-geleidend materiaal om direct contact tussen de batterij en het metaal te vermijden, want dit kan de batterij beschadigen.

4.4 Hanteren en vervoeren

- Dragg het apparaat bij hanteren en vervoeren in de oorspronkelijke verpakking. De verpakking van het apparaat beschermt tegen fysieke schade.
- Zet niets zwaars op het apparaat of op de verpakking. Het apparaat kan beschadigd raken.
- Het laten vallen van het apparaat kan ervoor zorgen dat het niet meer werkt of permanente schade veroorzaken.

4 Informatie

4.5 Naleving van de WEEE-richtlijn en verwerking van afvalproducten



Dit product voldoet aan de EU WEEE-norm (2012/19/EU). Dit product is voorzien van een classificatiesymbool voor verwerking van elektrische en elektronische apparatuur (WEEE).

Dit symbool geeft aan dat dit product niet met ander huishoudelijk afval mag worden weggegooid aan het einde van zijn levensduur. Het gebruikte apparaat moet worden ingeleverd bij het officiële inzamelingspunt voor recycling van elektrische en elektronische apparaten. Voor de locatie van deze inzamelingspunten neemt u contact op met de plaatselijke gemeente of winkelier waar u het product heeft gekocht. Ieder huishouden heeft een belangrijke rol in de herwinning en recycling van oude apparaten. Correcte verwijdering van gebruikte apparaten helpt potentiële negatieve consequenties voor het milieu en de gezondheid van de mens te voorkomen.

4.6 Informatie over verwijdering van batterijen



Dit symbool op wel of niet oplaadbare batterijen of op de verpakking ervan geeft aan dat de wel of niet oplaadbare batterij niet mag worden weggegooid met het normale huisafval. Voor bepaalde wel of niet oplaadbare batterijen wordt dit symbool vergezeld van een chemicaliënsymbool. Als de wel of niet oplaadbare batterijen meer dan 0,0005 % kwik of meer dan 0,004 % lood bevatten, wordt dit aangegeven met symbolen voor kwik (Hg) of lood (Pb).

Wel of niet oplaadbare batterijen, met inbegrip van de batterijen die geen zware metalen bevatten, mogen niet met het normale huisvuil worden weggegooid. Gooi gebruikte batterijen weg in overeenstemming met de plaatselijke milieuvoorschriften. Vraag om informatie over de van toepassing zijnde verwijderingsvoorschriften bij u in de buurt.

4.7 Naleving van de RoHS-norm

Het door u aangekochte product voldoet aan de EU RoHS-norm (2011/65/EU). Het bevat geen schadelijke en verboden materialen die in de richtlijn worden genoemd.

4.8 Verpakkingsinformatie



Het verpakkingsmateriaal van het product is vervaardigd uit gerecyclede materialen overeenkomstig onze nationale milieunormen. Gooi het verpakkingsmateriaal niet weg met het huishoudelijk of ander afval. Breng het naar een door de gemeente aangewezen verzamelpunt voor verpakkingsmateriaal



Raadpleeg voor in werk stellen, algemeen gebruik en reiniging de instructies op pagina's 5-6-7 van deze gebruikshandleiding.

5 Problemen oplossen

Veelvoorkomende storing	Mogelijke oorzaak	Oplossingen
De stofzuiger doet het niet	Product staat uit of de batterij is leeg	Laad het product voor gebruik op
	De zuigmond van het product is verstopt	Reinig de zuigmond van het product
Zuigkracht is te laag	Stofreservoir en filterset zijn stoffig	Reinig het stofreservoir en filtermateriaal
	Rolborstel is ingewikkeld in haar en andere objecten	Reinig de rolborstel
	De situatie houdt aan	Neem contact op met onze klantenservice
Ander geluid tijdens het werken van de motor	De aluminium stang is verstopt	Ontdoe van verstopping
	De situatie houdt aan	Neem contact op met onze klantenservice
Stofzuiger kan niet goed werken	Te veel voorwerpen in het gebied dat gezogen moet worden	Verwijder de voorwerpen met de hand
	De zuigmond van het product is verstopt	Reinig de zuigmond van het product
	De situatie houdt aan	Neem contact op met onze klantenservice
Product kan niet opgeladen worden	Het batterijgedeelte en de interface van de oplader zijn niet goed aangesloten	Controleer dit en zorg voor goede aansluiting
	Oplader of stopcontact is niet geladen of zit los	Controleer dit en berg op
	De situatie houdt aan	Neem contact met ons op
Gewone ledstoring	Mogelijke oorzaak	Oplossingen
Het rode lampje flinkt	Product staat uit of de batterij is leeg	Laad het product voor gebruik op
Het rode lampje knippert	Borstel is aangesloten en de hoofdmotor van de borstel werkt	Reinig de rolborstel
	Overbelastende stroom is te groot	Vervang door de juiste adapter
Het rode en witte lampje knipperen afwisselend tijdens het ontladproces	Het batterijgedeelte heeft een storing	Neem contact op met onze klantenservice
Het rode en witte lampje knipperen afwisselend tijdens het oplaadproces	Het batterijgedeelte is niet juist geplaatst	<ol style="list-style-type: none"> 1- Verwijder de adapter 2- Installeer het batterijgedeelte opnieuw 3- Plaats de adapter 4- Volg bovenstaande stappen nauwkeurig op

Najpre pročitate ovaj priručnik!

Poštovani kupci,

Zahvaljujemo vam na kupovini proizvoda kompanije Beko. Nadamo se da ćete na najbolji mogući način iskoristiti svoj uređaj koji je napravljen sa visokim kvalitetom i vrhunskom tehnologijom. Iz tog razloga, pročitate ovo uputstvo za upotrebu i sve druge prateće dokumente pažljivo pre korišćenja proizvoda i sačuvajte ih za buduću upotrebu. Ako ovaj uređaj predate trećem licu, priložite i ovo uputstvo za upotrebu.

1. Dugme za uključivanje/isključivanje
2. Dugme za režim rada +
3. Dugme za režim rada -
4. Dugme za otpuštanje cevi
5. Dugme za otpuštanje četke
6. Električna tubro četka
7. Dugme za odvajanje baterije
8. Telo mašine
9. Posuda za prašinu
10. Dugme za otpuštanje posude za prašinu
11. Dugme sklopive cevi
12. Stanica za punjenje
13. Cev stanice za punjenje
14. Nosač stanice za punjenje
15. Valjak za tvrdi pod
16. Priključak za napajanje
17. Krivina
18. Udubljenje
19. Mini turbo četka
20. Meka četka
21. Zavrtnaj
22. Tipla

Pratite uputstva obraćajući pažnju na sve informacije i upozorenja navedena u uputstvu za upotrebu.

Značenje simbola

Sledeći simboli se koriste u raznim odeljcima ovog uputstva:



Važne informacije i korisni saveti u vezi sa upotrebom.



UPOZORENJE: Upozorenja na opasne situacije koje se odnose na bezbednost života i imovine.



Klasa zaštite od strujnog udara.

Tehnički podaci

Nominalna ulazna snaga : 450 W

Ulazno napajanje :
100-240 V ~ 50-60 Hz 0,8 A (maks.)

Izlazno napajanje : 36 V  0,6 A

Vreme punjenja : 4-5 časova

Vreme rada pod maks. snagom: 7 min.

Vreme rada pri srednjoj snazi: 22 min

Vreme rada pod min. snagom do: 45 min.

Zadržavamo pravo na tehničke i modifikacije u dizajnu.

Vrednosti koje su date na oznakama postavljenim na vaš uređaj ili drugim štampanim materijalima koje ste dobili sa uređajem predstavljaju vrednosti koje su dobijene u laboratorijama, u skladu sa važećim standardima. Ove vrednosti mogu da variraju prema upotrebi uređaja i uslovima sredine.



Ovaj proizvod je proizveden u ekološkim i tehnički najsavremenijim objektima.



Ovaj proizvod ne sadrži PCB.

Parametar spoljnjeg napajanja električnom energijom

Proizvođač:

Dongguan Yinli Electronics Co.,Ltd

Identifikator modela: YLS0241A-E360060

Ulazni napon: 100-240V~

Ulazna frekvencija: 50-60Hz

Ulazna struja: 0,8A

Izlazni napon: 36,0V

Izlazna struja: 0,6A

Izlazna snaga: 21,6W

Prosečna aktivna efikasnost: 87,19%

Efikasnost pri malom opterećenju (10%):
79,58%

**Potrošnja električne energije bez
opterećenja:** 0,09W

1 Važna uputstva u vezi sa bezbednošću i zaštitom životne sredine

Ovaj odeljak sadrži sigurnosna uputstva koja će vam pomoći da se zaštitite od opasnosti povreda i oštećenja imovine.

Nepoštovanje ovih uputstava poništava odobrenu garanciju.

1.1 Opšta bezbednost

- Ovaj uređaj je usklađen sa međunarodnim standardima bezbednosti.
- Ovaj uređaj mogu da koriste deca koja imaju 8 i više godina, osobe sa nepotpuno razvijenim telesnim, senzornim ili mentalnim sposobnostima, kao i osobe koje nemaju dovoljno potrebnog znanja i iskustva sve dok su pod nadzorom ili im se daju uputstva u pogledu bezbedne upotrebe i dok shvataju rizike koji su obuhvaćeni upotrebom proizvoda. Deca ne smeju da se igraju uređajem. Čišćenje i korisničko održavanje ne smeju da obavljaju deca bez nadzora.
- Ako su adapter ili sam uređaj oštećeni, nemojte da ga koristite. Obratite se ovlašćenom servisu.
- Vaše mrežno napajanje strujom mora biti u skladu sa informacijama na pločici na aparatu.
- Nemojte koristiti uređaj sa produžnim kablom.
- Sprečite oštećenje kabla za napajanje tako što ga nećete stiskati, savijati ili trljati po ostrim ivicama.
- Ne dodirujte uređaj ili njegov priključak kada je priključen u struju ako su vam ruke vlažne ili mokre.
- Ne vucite strujni kabl prilikom isključivanja utikača aparata.
- Nemojte da usisavate zapaljive materijale, a kada usisavate pepeo cigareta, proverite da li se ohladio.
- Nemojte da usisavate vodu ili druge tečnosti.
- Zaštitite uređaj od kiše, vlage i izvora toplote.
- Nikada nemojte da koristite uređaj unutar ili u blizini zapaljivih okruženja ili mesta.
- Izvucite utikač uređaja iz struje pre čišćenja i održavanja.
- Nemojte uranjati uređaj ili njegov kabl za napajanje u vodu radi čišćenja.
- Nemojte da pokušavate da rastavljate aparat.

1 Važna uputstva u vezi sa bezbednošću i zaštitom životne sredine

- Koristite isključivo originalne delove ili delove koje preporučuje proizvođač.
- Nemojte da čistite čestice, kao što su cement, gips i kompresovani papir, da biste sprečili da se filter zapuši i da se motor ošteti.
- Koristite aparat samo sa dobijenom adapterom.
- Nemojte da koristite uređaj bez filtera; u suprotnom, može se oštetiti.
- Ako čuvate ambalažu, čuvajte je van domašaja dece.
- Ovaj uređaj nije namenjen da ga koriste osobe (uključujući i decu) sa smanjenim fizičkim, senzornim ili mentalnim sposobnostima ili sa nedostatkom iskustva i znanja, osim ako su pod nadzorom ili primaju instrukcije u vezi sa upotrebom uređaja od lica koje je odgovorno za njihovu bezbednost.
- Deca treba da budu pod nadzorom kako bi se osiguralo da se ne igraju sa uređajem.
- Ovaj uređaj se koristi samo sa jedinicom za napajanje koja je priložena uz uređaj.
- Adapter mora biti uklonjen iz utičnice i baterija mora biti uklonjena iz aparata pre čišćenja ili održavanja uređaja
- Ako dođe do oštećenja adaptera, mora ga zameniti proizvođač ili njegov predstavnik ili slična kvalifikovana osoba da bi se izbegla opasnost.
- Prste, kosu i široku odeću držite podalje od pokretnih delova i otvora dok koristite usisivač
- Baterija se mora izvaditi iz aparata pre nego što se izbacila iz upotrebe;
- Prilikom uklanjanja baterije uređaj mora biti isključen iz napajanja;
- Odložite iskorištene baterije u skladu sa lokalnim zakonima i propisima.
- Ovaj uređaj sadrži baterije koje mogu zameniti samo stručna lica.
- **UPOZORENJE:** Da napunite bateriju, koristite samo odvojivu jedinicu za napajanje YLS0241A-E360060 koja se isporučuje sa ovim uređajem.
- Vadite i stavljajte baterije u skladu sa Uputstvom za upotrebu.
- Punjive baterije treba ukloniti iz aparata pre punjenja;
- Ne smeju se mešati različite vrste baterija ili nove i polovne baterije.

1 Važna uputstva u vezi sa bezbednošću i zaštitom životne sredine

- Baterije se postavljaju sa ispravnim polaritetom.
- Prazne baterije treba ukloniti iz aparata i sigurno ih odložiti.
- Ako se uređaj ne koristi duže vreme, baterije treba ukloniti.
- Pazite da ne napravite kratak spoj između priključaka za napajanje.
- Koristite samo sa baterijom ZB1858.
- Uređaj ne treba da koriste osobe (uključujući decu) sa smanjenim fizičkim, senzornim ili mentalnim sposobnostima ili sa nedostatkom iskustva i znanja, osim ako nisu pod nadzorom i ne primaju instrukcije.
- Deca se nadziru tako da se ne igraju uređajem.

2 Sklapanje delova

2.1 Krivina (17)

Krivina je produžetak, jedan kraj se ubacuje u sukcioni otvor, drugi kraj se povezuje sa dodacima koji mogu da čiste uglove ili uske prostore (7).

2.2 Četka za uske prostore (18) i meka četka (20)

Gurnite kružni deo dodatka u sukcioni deo sve dok ne klikne. Meka četka čisti vaš nameštaj bez oštećivanja (6-7).

2.3 Mini turbo četka (19)

Gurnite kraj mini četke u sukcioni deo sve dok ne klikne.

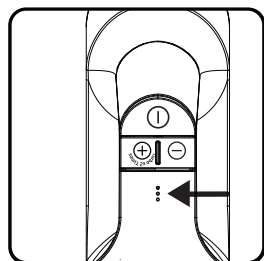
Uklonite je povlačenjem dugmadi (6).

2.4 Valjak za tvrdi pod (15)

Valjak za tvrde podove pruža bolje performanse čišćenja na parketu, pločicama itd. (17)

3 Upotreba

3.1 Indikator punjenja



Ukazuje na stanje napunjenosti baterije.

Radi	Puni se	U potpunosti napunjeno	Malo preostale energije
Neprekidno svetli belo	Treperi belo	Neprekidno svetli belo	Treperi crveno

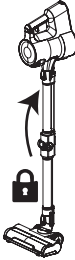
3.2 Stanica za punjenje (11)

Tokom punjenja baterije na postolju za punjenje, indikator za punjenje treperi belo.



- Kada primite ovaj proizvod, koristite punjač koji je dostavila naša kompanija da biste punili bateriju 3 sata (nije potrebno da je punite do maksimuma), a učestalost punjenja treba da bude na svaka 3 meseca.
- Nemojte da stavljate bateriju na bazu za punjenje tokom dužeg perioda.
- Kada se baterija ne koristi duže vreme ili je prekomerno ispražnjena, vreme rada će biti smanjeno prvih nekoliko korišćenja. Preporučujemo da u potpunosti napunite bateriju (uobičajeno 6 časova) i da je ispraznite. Ponovite ovu radnju dva puta.

3 Upotreba

-  Proizvod ima mogućnost da stoji u uspravnom položaju pomoću mehanizma za zaključavanje četke. Pod mora biti ravan da bi se ova funkcija pravilno koristila (tvrdi pod, parket i sl.). Ako se proizvod ne koristi i kada će se skladištiti, mora se čuvati na stanici za punjenje. Usisavač može da stoji u uspravnom položaju (na površinama poput tvrdog poda, parketa itd.) Kratko vreme (2-3 minuta) zahvaljujući mehanizmu za zaključavanje četke.

4 Informacije

4.1 Čišćenje i održavanje

Isključite uređaj i izvucite kabl uređaja iz struje pre čišćenja.



UPOZORENJE: Nikada nemojte koristiti benzin, rastvarač, abrazivna sredstva za čišćenje, metalne predmete ili grube četke za čišćenje ovog aparata.

4.2 HEPA filter

- Da bi se osigurala performanse proizvoda, preporučujemo da čistite redovno i da zamenite filter nakon 3-6 meseci. (U zavisnosti od korišćenja)



UPOZORENJE: Ako ne koristite aparat duže vreme, vodite računa o bateriji, čuvajte je na hladnom i tamnom mestu, i ostavite bateriju u polu-punom stanju. Ne ostavljajte bateriju kada je puna ili prazna. Čuvajte bateriju u materijal koji ne sprovodi struju da biste izbegli da metal direktno dodiruje bateriju, što može dovesti do oštećenja.

4.3 Skladištenje

- Ako ne nameravate da koristite aparat duže vreme, pažljivo ga odložite.
- Izvucite utikač uređaja iz utičnice.
- Držite uređaj van domašaja dece.
- Ako ne koristite aparat duže vreme, vodite računa o bateriji, čuvajte je na hladnom i tamnom mestu, i ostavite bateriju u polu-punom stanju. Ne ostavljajte bateriju kada je puna ili prazna.
- Čuvajte bateriju u materijal koji ne sprovodi struju da biste izbegli da metal direktno dodiruje bateriju, što može dovesti do oštećenja.

4.4 Prenos i transport

- Tokom prenosa i transporta nosite uređaj u njegovoj originalnoj ambalaži. Ambalaža uređaja ga štiti od fizičkih oštećenja.
- Nemojte stavljati teške predmete na uređaj ili njegovu ambalažu. Uređaj se može oštetiti.
- Ako vam uređaj ispadne, to može izazvati trajno oštećenje, odnosno aparat može postati nefunkcionalan.

4 Informacije

4.5 Usaglašenost sa WEEE direktivom i odlaganje otpada



Ovaj proizvod je usaglašen sa WEEE direktivom Evropske unije (2012/19/EU). Ovaj proizvod nosi simbol klasifikacije za električni i elektronski otpad (WEEE).

Ovaj simbol označava da se ovaj proizvod ne sme odlagati zajedno s ostalim kućnim otpadom na kraju njegovog radnog veka. Korišćeni uređaj mora se vratiti na službeno mesto za sakupljanje za recikliranje električnih i elektronskih uređaja. Da biste pronašli ove sisteme za sakupljanje, obratite se lokalnim nadležnim telima ili prodavcu gde je proizvod kupljen. Svako domaćinstvo ima važnu ulogu u vraćanju i recikliranju starih uređaja. Odgovarajuće odlaganje iskorišćenog aparata pomaže u sprečavanju potencijalnih negativnih posledica po životnu sredinu i zdravlje ljudi.

4.6 Informacije o iskorištenim baterijama



Ovaj simbol na punjivoj bateriji/baterijama ili na ambalaži označava da se punjiva baterija/baterije ne sme odlagati zajedno sa običnim otpadom iz domaćinstva. Za određene punjive baterije / baterije, ovaj simbol može biti dopunjen hemijskim simbolom. Simboli za živu (Hg) ili olovo (Pb) se navode ako punjive baterije / baterije sadrže više od 0,0005% žive ili više od 0,004% olova.

Punjive baterije / baterije, uključujući one koje ne sadrže teške metale, ne smeju se odlagati zajedno sa kućnim otpadom. Korišćene baterije uvek odlažite u skladu sa lokalnim ekološkim propisima. Raspitajte se o važećim propisima o odlaganju otpada u vašem prebivalištu.

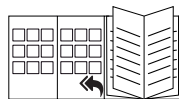
4.7 Usaglašenost sa RoHS Direktivom

Proizvod koji ste kupili u saglasnosti je sa RoHS Direktivom Evropske unije (2011/65/EU). On ne sadrži štetne i zabranjene materijale navedene u Direktivi.

4.8 Informacije o pakovanju



Ambalažni materijali ovog proizvoda su napravljeni od materijala koji mogu da se recikliraju u skladu sa nacionalnim propisima o zaštiti životne sredine. Ambalažne materijale ne odlagati zajedno sa kućnim ili drugim otpadom. Odnosite ih na mesta za prikupljanje ambalažnog materijala određena od strane lokalnih nadležnih tela.



Prilikom puštanja u rad, opšte upotrebe i čišćenja, obratite pažnju na uputstva na stranama 5-6-7 ovog uputstva za upotrebu.

5 Otkrivanje i rešavanje problema

Uobičajen problem	Mogući uzrok	Rešenja
Usisivač ne radi	Proizvod nema napajanje ili baterija je pri kraju.	Napunite bateriju pre upotrebe.
	Blokiran je ulazni otvor usisivača.	Čišćenje usisnog otvora proizvoda
Slabo vuče	Vrećica za prašinu i sklop filtera su puni prašine	Očistite posudu za prašinu u materijal filtera
	Rotirajuća četka je omotana oko dlaka i drugih predmeta	Očistite rotirajuću četku
	Problem ne prestaje	Stupite u kontakt sa našim prodajnim timom
Drugačiji zvuk rada motora	Blokirana je aluminijumska cev	Očistite cev
	Problem ne prestaje	Stupite u kontakt sa našim prodajnim timom
Usisivač ima poteškoće pri radu	Previše prepreka na površini koja se čisti	Ručno uklonite prepreke
	Blokiran je ulazni otvor usisivača	Očistite usisni otvor proizvoda
	Problem ne prestaje	Stupite u kontakt sa našim prodajnim timom
Proizvod se ne puni	Baterija i interfejs punjača nisu dobro povezani	Proverite da ima dobar kontakt
	Punjač nije potpuno napunjen ili sud za prašinu nije pričvršćen	Proverite i odložite
	Problem ne prestaje	Pozovite nas
Uobičajeni LED kvar	Mogući uzrok	Rešenja
Crveno svetlo treperi	Proizvod nema napajanje ili baterija je pri kraju.	Napunite bateriju pre upotrebe.
Crveno svetlo treperi	Priključivanje četke i glavni motor četke radi	Očistite rotirajuću četku
	Prekomerno punjenje, struja je prejak	Promenite odgovarajući adapter
Crveno i belo svetlo naizmenično trepere kada je proces pražnjenja u toku	Kod baterije postoji problem	Stupite u kontakt sa našim prodajnim timom
Crveno i belo svetlo naizmenično trepere kada je proces punjenja u toku	Baterija nije dobro instalirana	1- Uklonite adapter 2- Ponovo postavite bateriju 3- Ubacite adapter 4- Strogo pratite korake iznad

Прво прочитајте го упатството!

Почитуван кориснику,
Ви благодариме што избравте производ на Беко. Се надеваме дека ќе постигнете најдобри резултати со вашиот уред, којшто е произведен со врвна и високо квалитетна технологија. Затоа, внимателно прочитајте го целото упатство и целата друга придружна документација пред да го користите уредот и зачувајте го за идни потреби. Доколку го давате уредот на некој друг, заедно со него дајте го и прирачникот за употреба.

Следете ги инструкциите со обрнување внимание на сите информации и предупредувања во прирачникот.

1. Копче за вклучување/исклучување
2. Копче за режим +
3. Копче за режим -
4. Копче за ослободување на цевката
5. Копче за ослободување на четката
6. Електрична турбо четка
7. Копче за ослободување на батеријата
8. Тело на машината
9. Чашка за прав
10. Копче за ослободување на чашката за прав
11. Копче за склопување цевка
12. Станица за полнење
13. Цевка на станица за полнење
14. Потпора на станица за полнење
15. Валјак за тврд под
16. Приклучок за струја
17. Лакт
18. Отвор
19. Мини турбо четка
20. Мека четка
21. шраф
22. Типла

Значење на симболите

Следните симболи се користат низ разните поглавја на ова упатство:



Важни информации и корисни совети за употреба.



ПРЕДУПРЕДУВАЊЕ:
Предупредувања за опасни ситуации во однос на безбедноста по животот и имотот.



Класа на заштита од струен удар.

Технички податоци

Номинална влезна моќност : 450 W

Влез :

100 - 240 V ~ 50-60 Hz 0,8 A (макс.)

Излез : 36 V --- 0,6 A

Време на полнење : 4-5 часа

Време на работа со максимална моќност: 7 мин.

Време на работа на средна моќност: 22 мин.

Време на работа со минимална моќност: 45 мин.

Техничките и дизајнерски модификации се задржани.

Вредностите што се наведени со ознаките што се видливи на вашиот апарат или во други испечатени документи доставени со него претставуваат вредности добиени лабораториски во согласност со релевантните стандарди. Овие вредности може да варираат според искористеноста на уредот и околните услови.



Овој производ е произведен во еколошки и модерни простории.



Производот не содржи ПХБ (полихлорирани бифенили).

Параметар за надворешен извор на струја

Производител: Dongguan Yinli Electronics Co.,Ltd

Идентификатор на модел: YLS0241A-E360060

Влезна волтажа: 100-240V~

Влезна фреквенција: 50-60Hz

Влезна струја: 0.8A

Излезна волтажа: 36.0V

Излезна струја: 0.6A

Излезен капацитет: 21.6W

Просечна активна ефикасност: 87.19%

Ефикасност при низок товар (10%): 79.58%

Потрошувачка на капацитет: 0,09W

1 Важни упатства за безбедноста и животната средина

Ова поглавје содржи безбедносни упатства што ќе ви помогнат да се заштитите од лична повреда или штета по имотот.

Ако не ги следите овие упатства, гаранцијата ќе биде поништена.

1.1 Општа безбедност

- Овој уред е усогласен со меѓународните безбедносни стандарди.
- Овој уред може да го употребуваат деца постари од 8 години и лица со намалени физички, сензорни или ментални способности или без искуство и познавање, доколку се под надзор или им се даваат упатства за безбедна употреба на апаратот и ги разбираат опасностите што можат да се случат. Децата не треба да си играат со апаратот. Уредот не смеат да го чистат и одржуваат деца без надзор.
- Не употребувајте го адаптерот или самиот уред ако е оштетен. Побарајте овластен сервис.
- Вашиот напон во домот треба да биде во согласност со информациите што се наоѓаат на плочката на уредот.
- Не употребувајте го уредот со продолжен кабел.
- Спречете оштетување на кабелот за струја со тоа што нема да го стискате, виткате или триете од остри рабови.
- Не допирајте го уредот или неговиот приклучок кога е приклучен доколку ви се влажни или мокри рацете.
- Не влечете го кабелот кога го исклучувате уредот од струја.
- Не смукајте запаливи материјали, а кога смукате пепел од цигари, гледајте пепелта да е ладна.
- Не смукајте вода или други течности.
- Заштитете го уредот од дожд, влажност и топлотни извори.
- Никогаш не употребувајте го уредот во или близу места каде што има запаливи материјали или каде што околината е запалива.
- Исклучете го апаратот од струја пред чистењето и одржувањето.
- Не потопувајте го уредот или кабелот во вода за чистење.
- Не обидувајте се да го расклопите уредот.

1 Важни упатства за безбедноста и животната средина

- Употребувајте само оригинални делови или делови препорачани од производителот.
- Не чистете честички како цемент, гипс или компресирана хартија со уредот, за да спречите затнување на филтерот и оштетување на моторот.
- Употребувајте го уредот само со адаптерот кој е испорачан заедно со него.
- Не употребувајте го уредот без филтри; инаку може да се оштети.
- Доколку го чувате пакувањето, држете го понастрана од деца.
- Овој уред не е наменет да го користат лица (вклучително и деца) со намалени физички, сетилни или ментални способности или ако не се доволно обучени или пак немаат познавања, освен ако се под надзор и добиваат упатства од лице одговорно за нивната безбедност.
- Децата треба да се надгледуваат за да спречите да си играат со уредот.
- Уредот треба да се користи само со приклучокот за струја кој е испорачан заедно со него.
- Адаптерот треба да се извади од штекерот, а батериите треба да се извадат од уредот пред негово чистење и одржување.
- Ако адаптерот е оштетен, производителот или негов застапник или квалификувано лице, треба да го замени адаптерот за да се избегне опасност.
- Внимавајте на прстите, косата и облеката кај отворите и деловите на правосмукалката кои се движат додека чистите.
- Пред да го дадете уредот за рециклирање, отстранете ги батериите.
- Уредот треба да биде исклучен од струја додека ги отстранувате батериите.
- Отстранете ги искористените батерии како што налагаат локалните закони и регулативи.
- Уредот користи батерии кои може да ги замени само искусно лице.
- **ПРЕДУПРЕДУВАЊЕ:** За полнење на батериите, употребувајте ја само единицата за напојување YLS0241A-E360060 која е испорачана заедно со уредот.

1 Важни упатства за безбедноста и животната средина

- Ставајте ги и вадете ги батериите во уредот како што е покажано во прирачникот за употреба.
- Батериите на полнење треба да се извадат од уредот пред да се стават на полнење;
- Не треба да се мешаат различни типови батерии или нови и искористени батерии.
- Батериите треба да се наместат на точниот поларитет.
- Потрошените батерии треба да се извадат од уредот и безбедно да се отстранат.
- Ако уредот не се користи подолг период, батериите треба да се извадат.
- Терминалите за напојување не треба да претрпат краток спој.
- Користете само со ZB1858 батерија.
- уредот не смеат да го користат лица (вклучително и деца) со намалени физички, сетилни или ментални способности, или пак ако немаат искуство и познавања, освен ако се под надзор или добиваат упатства.
- децата што се под надзор не треба да си играат со уредот.

2 Составување на деловите

2.1 Лакт (17)

Лактот претставува алатка за продолжување, чијшто еден крај се вметнува во отворот за вшмукување, додека другиот крај се поврзува со додатоците со цел чистење агли во тесни простори (7).

2.2 Четка за процепи (18) и мека четка (20)

Притиснете го кружниот дел на додатокот во делот за вшмукување додека не кликне. Меката четка го чисти мебелот без да го оштети (6-7).

2.3 Мини турбо четка (19)

Притиснете го крајниот дел на мини четката во делот за вшмукување додека не кликне.

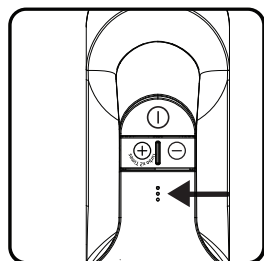
Отстранете го со влечење на копчињата (6).

2.4 Валјак за тврд под (15)

Валјакот за тврд под овозможува подобро чистење на паркет, плочки итн. (17)

3 Употреба

3.1 Индикатор за полнење



Покажува статус на полнење на батерија.

Работи	Полнење	Целосно наполнето	Понишка моќност
Постојано бело светло	Трепкачко бело светло	Постојано бело светло	Трепкачко црвено светло

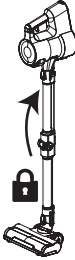
3.2 Станица за полнење (11)

Додека ја полните батеријата, индикаторот за полнење трепка со бела боја.



- Користете го полначот од нашата фирма кога ќе го примите овој производ, со којшто ќе ја полните батеријата 3 часа (нема потреба да ја полните до крај), додека зачестеноста на полнење треба да биде 3 месеци.
- Не оставајте ја батеријата на основата за полнење предолго време.
- Кога ја користите батеријата подолго време или кога е премногу испразнета, може да забележите неколку пати дека пократко држи. Препорачуваме целосно да ја наполните батеријата (обично 6 часа) и да ја испразните. Повторете го тоа двапати.

3 Употреба

-  Производот може да стои во исправена позиција со механизам за заклучување на четката. Подот мора да биде нивелиран за оваа функција да се користи правилно (цврст под, паркет, и др.) Ако производот не се користи и кога е оставен, мора да се чува на неговата станица за полнење. Правосмукалката може да стои во исправена позиција (на површини како цврсти подови, паркет и др.) кратки временски периоди (2-3 минути) благодарение на механизмот за заклучување на четката.

4 Информации

4.1 Чистење и одржување

Исклучете го уредот од струја пред да го чистите.



ПРЕДУПРЕДУВАЊЕ:

Никогаш не употребувајте бензин, растворувачи, абразивни агенси за чистење, метални објекти или тврди четки кога го чистите уредот.

4.2 HEPA филтер

- За да се осигурите дека производот добро работи, препорачуваме редовно да го чистите и да менувате на секои 3-6 месеци. (Зависно од употребата)



ПРЕДУПРЕДУВАЊЕ:

Доколку не го користите уредот подолго време, чувајте ја батеријата неоштетена, чувајте ја на суво и ладно место и оставете ја батеријата во полунаполнета состојба. Да не биде ниту полна ниту празна. Завиткајте ја батеријата со неспроводлив материјал за да избегнете металот директно да ја допира батеријата и да ја оштети.

4.3 Чување

- Доколку немате намера да го користите уредот подолго време, складирајте го внимателно.
- Исклучете го приклучокот од струја.
- Чувајте го уредот подалеку од дофат на деца.
- Доколку не го користите уредот подолго време, чувајте ја батеријата неоштетена, чувајте ја на суво и ладно место и оставете ја батеријата во полунаполнета состојба. Да не биде ниту полна ниту празна.
- Завиткајте ја батеријата со неспроводлив материјал за да избегнете металот директно да ја допира батеријата и да ја оштети.

4.4 Ракување и транспорт

- За време на ракувањето со уредот и неговото транспортирање, носете го во неговото оригинално пакување. Пакувањето го заштитува од секакви физички оштетувања.
- Не ставајте тешки работи врз уредот или врз пакувањето. Уредот може да се оштети.
- Доколку ви падне на земја може да престане да работи или да биде трајно оштетен.

4 Информации

4.5 Усогласеност со Директивата за отпадна електрична и електронска опрема (WEEE) и фрлање на производот



Овој производ е усогласен со Директивата за отпадна електрична и електронска опрема (WEEE (2012/19/EU)). Овој производ го носи симболот за класификација за отпадна електрична и електронска опрема (WEEE).

Овој симбол покажува дека овој производ не треба да се фрла со другиот отпад од домаќинството откако ќе престане да се користи. Искористениот уред треба да се врати во официјален пункт за собирање на електрични и електронски уреди за рециклирање. За да ги најдете овие системи за собирање отпад, контактирајте ги Вашите локални власти или малопродажното место од каде е купен производот. Секое домаќинство има важна улога во враќањето и рециклирањето на стари уреди. Правилното отстранување на искористените уреди помага во заштитата од можни негативни последици за животната средина и здравјето на луѓето.

4.6 Информации за отпадни батерии



Овој симбол на батериите на полнење/батериите или на пакувањето, значи дека батериите на полнење/батериите не смеат да се фрлаат заедно со вообичаениот отпад од домаќинството. За одредени батерии на полнење/батерии, овој симбол може да биде дополнет со хемиски симбол. Доколку батериите на полнење/батериите содржат повеќе од 0,0005 % жива или повеќе од 0,004 % олово, ќе бидат означени со симболите за жива (Hg) или олово (Pb).

Батериите на полнење/батериите, вклучувајќи ги и оние кои не содржат тежок метал, не смеат да се фрлаат заедно со отпадот од домаќинството. Искористените батерии фрлајте ги секогаш во согласност со локалните регулативи за животна средина. Истражувајте кои регулативи за отстранување отпад се применуваат во Вашето место на живеење.

4.7 Усогласеност со Директивата за ризик од опасни материи

Производот што го купивте е усогласен со Директивата на ЕУ за ризик од опасни материи (2011/65/EU). Овој производ не содржи штетни и забранети материјали коишто се посочени во Директивата.

4.8 Информации за пакувањето



Материјалите за пакувањето на производот се изработени од рециклирачки материјали, во согласност со нашите национални регулативи за животна средина. Не фрлајте го материјалот од пакувањето заедно со домашниот или друг отпад. Однесете го во пункт за собирање материјал од пакување, назначен од локалните власти.



За пуштање во употреба, општа употреба и чистење Ве молиме погледнете ги инструкциите на страниците 5-6-7 од ова упатство за употреба.

5 Отстранување проблеми

Чест дефект	Можна причина	Решенија
Правосмукалката не работи	Уредот е исклучен или батеријата е празна	Пред употреба, наполнете го уредот
	Отворот за вшмукување на уредот е блокиран.	Чистење на отворот за вшмукување на уредот
Вшмукувањето е премногу слабо	Садот за прашина и филтерот се правливи	Исчистете го садот за губре и филтерот
	Кружната четка е завиткана со коса и други предмети	Исчистете ја кружната четка
	Ситуацијата се повторува	Контактирајте со нашиот тим за пост-продажни услуги
Различен звук на работењето на моторот	Алуминиумската цевка е блокирана	Исчистете ја цевката
	Ситуацијата се повторува	Контактирајте со нашиот тим за пост-продажни услуги
Проблеми со правосмукалката при работа	Премногу пречки во делот за чистење	Рачно отстранете ги пречките
	Отворот за вшмукување на производот е блокиран	Исчистете го отворот за вшмукување на уредот
	Ситуацијата се повторува	Контактирајте со нашиот тим за пост-продажни услуги
Уредот не може да се полни	Батеријата и полначот не се поврзуваат добро	Проверете добро
	Полначот не е целосно наполнет или е разлабавен	Проверете и тргнете го настрана
	Ситуацијата се повторува	Контактирајте со нас
Вообичаен дефект на LED	Можна причина	Решенија
Црвената сијаличка светка	Уредот е исклучен или батеријата е празна	Пред употреба, наполнете го уредот
Црвената сијаличка трепка	Исчистете го приклучувањето и моторот за главната четка работи	Исчистете ја кружната четка
	Пресилна струја за полнење	Сменете го точниот адаптер
Црвената и бела сијаличка трепкаат за време на празнењето	Има проблем со батеријата	Контактирајте со нашиот тим за пост-продажни услуги
Црвената и бела сијаличка трепкаат за време на полнењето	Батеријата не е добро поставена	1- Отстранете го адаптерот 2- Ставете ја батеријата повторно 3- Вметнете го адаптерот 4- Строго следете ги чекорите горе

Ju lutemi të lexoni më parë këtë manual!

I nderuar klient,
Faleminderit që zgjodhët një produkt Beko. Shpresojmë që të arrini rezultatet më të mira nga pajisja juaj, e cila është prodhuar me cilësi të lartë dhe me teknologjinë më të fundit. Për këtë arsye, para se ta përdorni pajisjen ju lutemi ta lexoni me kujdes këtë manual dhe të gjitha dokumentet e dhëna si dhe ta ruani atë për t'iu referuar në të ardhmen. Nëse ia jepni pajisjen dikujt tjetër, jepini gjithashtu edhe manualin e përdorimit.

1. Butoni i ndezjes/fikjes
2. Butoni i modalitetit +
3. Butoni i modalitetit -
4. Butoni për lirim e tubit
5. Butoni për lirim e furçës
6. Furçë elektrike turbo
7. Butoni për lirim e paketës së baterive
8. Trupi i makinës
9. Kupa e pluhurit
10. Butoni për lirim e kupës së pluhurit
11. Butoni për tubin e palosshëm
12. Stacioni i karikimit
13. Tubi i stacionit të karikimit
14. Mbajtësja e stacionit të karikimit
15. Rul për dysheme të fortë
16. Spina e ushqimit
17. Bërryli
18. E çara
19. Mini furçë turbo
20. Furçë e butë
21. Vidhë
22. Vidhë muri

Ndiqui udhëzimet duke i kushtuar vëmendje të gjitha informacioneve dhe paralajmërimeve në manualin e përdorimit.

Kuptimi i simboleve

Simbolet e mëposhtme janë përdorur në pjesë të ndryshme të këtij manuali:



Informacione të rëndësishme dhe sugjerime të dobishme për përdorimin.



PARALAJMËRIM: Paralajmërime për situata të rrezikshme në lidhje me sigurinë e jetës dhe pronës.



Kategoria e mbrojtjes për goditjet elektrike.

Të dhënat teknike

Fuqia nominale në hyrje : 450 W

Hyrja :
100 - 240 V ~ 50-60Hz 0,8 A (maks.)

Dalja : 36 V  0,6A

Kohëzgjatja e karikimit : 4-5 orë

Kohëzgjatja e punës me fuqi maksimale: 7 min.

Koha e drejtimit me fuqi mesatare:
22 min.

Kohëzgjatja e punës me fuqi minimale deri në: 45 min.

Modifikimet teknike dhe ato të dizajnit janë të rezervuara.

Vlerat që janë deklaruar në shënimet e ngjitura në produktin tuaj ose në dokumentet e printuara të dhëna bashkë me të, tregojnë vlerat që janë marrë në laboratorë sipas standardeve përkatëse. Këto vlera mund të ndryshojnë sipas përdorimit të pajisjes dhe kushteve të ambientit.



Ky produkt është prodhuar në ambiente moderne që nuk dëmtojnë mjedisin.



Produkti nuk përmban PCB.

Parametri i burimit të jashtëm të energjisë

Prodhuesi: Dongguan Yinli Electronics Co.,Ltd

Identifikuesi i modelit: YLS0241A-E360060

Voltazhi në hyrje: 100-240V~

Frekuenca në hyrje: 50-60 Hz

Rryma në hyrje: 0.8 A

Voltazhi në dalje: 36.0 V

Rryma në dalje: 0.6 A

Energjia në dalje: 21.6 W

Efikasiteti mesatar aktiv: 87.19%

Efikasiteti me ngarkesë të vogël (10%): 79.58%

Konsumi i energjisë pa ngarkesë: 0,09 W

1 Udhëzime të rëndësishme për sigurinë dhe mjedisin

Ky seksion përmban udhëzime sigurie që do të ndihmojnë për t'u mbrojtur nga lëndimet personale ose dëmtimet e pronës.

Mosndjekja e këtyre udhëzimeve do ta bëjë garancinë të pavlefshme.

1.1 Siguria e përgjithshme

- Kjo pajisje i përmbahet standardeve ndërkombëtare të sigurisë.
- Kjo pajisje mund të përdoret nga fëmijë të moshës nga 8 vjeç e sipër dhe nga persona me aftësi të kufizuara fizike, ndijore ose mendore ose me mungesë eksperience dhe njohurie, nëse mbikëqyren ose nëse janë udhëzuar në lidhje me përdorimin e pajisjes në një mënyrë të sigurt dhe që i kuptojnë rreziqet e mundshme. Fëmijët nuk duhet të luajnë me pajisjen. Pastrimi dhe mirëmbajtja nga përdoruesi nuk duhet të bëhet nga fëmijë pa mbikëqyrje.
- Mos e përdorni pajisjen nëse kabllotja e energjisë ose vetë pajisja është e dëmtuar. Kontaktoni një shërbim të autorizuar.
- Rrjeti juaj i energjisë duhet të jetë në përputhje me informacionet

e dhëna në etiketën e vlerave të pajisjes.

- Mos e përdorni pajisjen me kabllotje zgjatues.
- Parandaloni dëmtimet e kabllotjes së energjisë duke mos e shtypur, përthyer ose fërkuar mbi qoshe të mprehta.
- Mos e prekni pajisjen ose spinën me duar të lagura ose të njoma, kur është në prizë.
- Mos e tërhiqni kabllon e energjisë kur e hiqni pajisjen nga priza.
- Mos fshini me korrent materiale që marrin flakë dhe kur fshini hirin e cigareve, sigurohuni që të jetë ftohur.
- Mos fshini me korrent ujë ose lëngje të tjera.
- Mbrojeni pajisjen nga shiu, lagështia dhe burimet e nxehtësisë.
- Asnjëherë mos e përdorni pajisjen brenda ose pranë vendeve me materiale të djegshme ose që marrin flakë.
- Hiqeni pajisjen nga priza para se ta pastroni dhe të bëni punë mirëmbajtjeje.
- Mos e zhytni pajisjen ose kabllon e energjisë në ujë për ta pastruar.

1 Udhëzime të rëndësishme për sigurinë dhe mjedisin

- Mos u mundoni ta çmontoni pajisjen.
- Përdorni vetëm pjesë origjinale ose pjesë të rekomanduara nga prodhuesi.
- Mos pastroni grimca, siç janë çimentoja, suvaja dhe letrat e ngjeshura, në mënyrë që të parandaloni bllokimin e filtrit dhe dëmtimin e motorit.
- Përdoreni pajisjen vetëm me përshtatësin e dhënë.
- Mos e përdorni pajisjen pa filtra; përndryshe mund të dëmtohet.
- Nëse i ruani materialet e paketimit, mbajini larg fëmijëve.
- Kjo pajisje nuk është projektuar për t'u përdorur nga persona (përfshirë fëmijët) me aftësi të kufizuara fizike, ndijore ose mendore, apo me mungesë përvoje dhe njohurie, përveçse nëse mbikëqyren ose janë udhëzuar në lidhje me përdorimin e pajisjes nga personi përgjegjës për sigurinë e tyre.
- Fëmijët duhet të mbikëqyren për t'u siguruar që të mos luajnë me pajisjen.
- Pajisja duhet të përdoret vetëm me njësinë ushqyese me energji të dhënë me pajisjen.
- Përshtatësi duhet të hiqet nga foleja e prizës dhe paketa e baterisë duhet të hiqet nga pajisja, përpara se të pastroni ose të mirëmbani pajisjen.
- Nëse përshtatësi është dëmtuar, duhet të zëvendësohet nga prodhuesi ose agjenti i tij apo ndonjë person me kualifikim të ngjashëm, për të shmangur rreziqe.
- Gjatë përdorimit të fshesës me korrent, mbajini gishtat, flokët dhe veshjet e lirshme larg pjesëve të lëvizshme dhe hapësirave.
- Para se të hidhni pajisjen, bateria duhet të hiqet.
- Kur hiqni baterinë, pajisja duhet të jetë e shkëputur nga korrenti;
- Ju lutemi t'i hidhni bateritë e përdorura sipas ligjeve dhe rregulloreve lokale.
- Pajisja përmban bateri që duhet të zëvendësohen vetëm nga persona të kualifikuar.
- **PARALAJMËRIM:** Për karikimin e baterisë, përdorni vetëm njësinë e veçuar ushqyese YLS0241A-E360060 pajisur me këtë pajisje.
- Ju lutemi të hiqni dhe të vendosni bateritë sipas UM.

1 Udhëzime të rëndësishme për sigurinë dhe mjedisin

- Bateritë e rikarikueshme duhet të hiqen nga pajisja para se të karikohen;
- Nuk duhet të përzihen lloje të ndryshme baterish ose bateri të reja me të përdorura.
- Bateritë duhet të vendosen me polarizim të saktë.
- Bateritë e prishura duhet të hiqen nga pajisja dhe të asgjësohen me kujdes.
- Nëse pajisja ruhet e papërdorur për një kohë të gjatë, bateritë duhet të hiqen.
- Terminalet ushqyese nuk duhet të jenë lidhur në qark të shkurtër.
- Përdoreni vetëm me bateri ZB1858.
- Pajisja nuk duhet të përdoret nga persona (përfshirë fëmijët) me aftësi të kufizuara fizike, ndijore ose mendore, apo me mungesë përvoja dhe njohurie, përveç nëse mbikëqyren ose u është dhënë udhëzim.
- Fëmijët që mbikëqyren të mos luajnë me pajisjen.

2 Montimi i pjesëve

2.1 Bërryli (17)

Bërryli është mjet zgjatues, ku njëri skaj futet në portën e thithjes, ndërsa tjetri lidhet me aksesorët, të cilët mund të pastrojnë qoshet ose hapësirat e ngushta (7).

2.2 E çara (18) dhe furça e butë (20)

Shtyjeni pjesën e rrumbullakët të aksesorit në pjesën e thithjes derisa të kërcasë. Furça e butë i pastron mobiliet tuaja pa i dëmtuar ato (6-7).

2.3 Mini furçë turbo (19)

Shtyjeni skajin e mini furçës në pjesën e thithjes derisa të kërcasë.

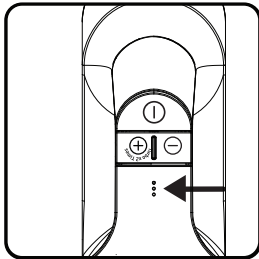
Hiqeni atë duke tërhequr butonat (6).

2.4 Rul për dysheme të fortë (15)

Ruli për dysheme të forta siguron performancë më të lartë pastrimi në parket, pllaka, etj. (17)

3 Përdorimi

3.1 Treguesi i karikimit



Kjo tregon statusin e ngarkimit të akumulatorit.

Punon	Duke u karikuar	E karikuar plotësisht	Fuqi më e ulët
Dritë e bardhë e vazhdueshme	Dritë e bardhë pulsuese	Dritë e bardhë e vazhdueshme	Dritë e kuqe pulsuese

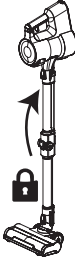
3.2 Stacioni i karikimit (11)

Gjatë karikimit të baterisë në stacionin karikues, treguesi i karikimit lëshon pulson me dritë të bardhë.



- Kur ta merrni këtë produkt, ju lutemi të përdorni karikuesin e ofruar nga kompania jonë për ta karikuar baterinë për 3 orë (nuk ka nevojë ta karikoni plotësisht) dhe shpeshtësia e karikimit duhet të jetë çdo 3 muaj.
- Mos e lini baterinë në bazën e karikimit për kohë shumë të gjatë.
- Kur bateria nuk është në përdorim për një kohë të gjatë ose është e shumë e shkarkuar, herët e para të përdorimit mund të vëreni se koha e punës është reduktuar. Ju rekomandojmë ta karikoni baterinë plotësisht (zakonisht 6 orë) dhe ta shkarkoni atë. Përsëriteni këtë veprim dy herë.

3 Përdorimi

-  Produkti ka mundësi të qëndroj në pozitë vertikale me mekanizmin bllokues të fshesës. Dyshemeja patjetër të jetë e sheshtë që ky funksion të përdoret siç duhet (dysHEME e fortë, parket, etj.) Nëse produkti nuk përdoret kur duhet ta magazinohet, ai patjetër të ruhet ose mbahet në stacionin e tij të ngarkimit. Fshesa me vakum mund të qëndroj në pozitë vertikale (mbi sipërfaqet si dyshemetë e forta, parketi, etj.) për periudha të shkurtëra kohore (2-3 minuta) duke ju falënderuar mekanizmit bllokues të fshesës.

4 Informacion

4.1 Pastrimi dhe kujdesi

Fikeni dhe hiqeni pajisjen nga priza para se ta pastroni.



PARALAJMËRIM: Mos përdorni asnjëherë benzinë, tretës, agjentë pastrimi gërryes, objekte metalike ose furça të forta për të pastruar pajisjen.

4.2 Filtri HEPA

- Për të garantuar performancë të mirë të produktit, ju rekomandojmë ta pastroni atë rregullisht dhe ta zëvendësoni pas 3-6 muajve. (Në varësi të përdorimit)



PARALAJMËRIM: Nëse nuk e përdorni për një kohë të gjatë, ju lutemi ta mbani baterinë të paprekur, të ruajtur në vend të thatë dhe të ftohtë dhe ta lini në gjendje gjysmë të karikuar. Jo e karikuar plotësisht apo bosh. Ju lutemi ta mbështillni baterinë me material jopërçues, në mënyrë që pjesa metalike të mos bjerë në kontakt të drejtpërdrejtë me baterinë, për të mos i shkaktuar dëme baterisë.

4.3 Ruajtja

- Nëse nuk keni ndërmend ta përdorni pajisjen për një kohë të gjatë, ruajeni atë me kujdes.
- Hiqeni pajisjen nga priza.
- Mbajeni pajisjen larg fëmijëve.
- Kur nuk e përdorni për një kohë të gjatë, ju lutemi mbani baterinë të pa dëmtuar, në një vend të freskët dhe pa lagështi, dhe lëreni baterinë në regjimin gjysmë të karikushëm. Jo i karikuar plotësisht apo bosh.
- Ju lutemi ta mbështillni baterinë me material jopërçues, në mënyrë që pjesa metalike të mos bjerë në kontakt të drejtpërdrejtë me baterinë, për të mos i shkaktuar dëme baterisë.

4.4 Lëvizja dhe transporti

- Gjatë lëvizjes dhe transportit, mbajeni pajisjen në paketimin e saj origjinal. Paketimi i pajisjes e mbron atë nga dëmtimet fizike.
- Mos vendosni pesha të rënda mbi pajisje ose mbi paketim. Pajisja mund të dëmtohet.
- Rrëzimi i pajisjes mund ta bëjë atë jofunksionale ose të shkaktojë dëmtime të riparueshme.

4 Informacion

4.5 Pajtueshmëria me direktivën WEEE dhe hedhja e produktit të vjetër



Ky produkt është në pajtim me direktivën WEEE të BE (2012/19/EU). Ky produkt mbart një simbol klasifikimi për mbetjet e pajisjeve elektrike dhe elektronike (WEEE).

Ky simbol tregon që ky produkt nuk duhet të hidhet me mbetjet e tjera shtëpiake në fund të jetëgjatësisë së tij. Pajisja e përdorur duhet të kthehet në pikën zyrtare të grumbullimit për riciklimin e pajisjeve elektrike dhe elektronike. Për të gjetur vendndodhjen e këtyre sistemeve të grumbullimit, ju lutemi të kontaktoni me autoritetet tuaja lokale ose me shitësin ku është blerë produkti. Çdo familje kryen një rol të rëndësishëm në rikuperimin dhe riciklimin e pajisjes së vjetër. Mënjanimi i duhur i pajisjes së përdorur ndihmon në parandalimin e pasojave të mundshme negative për mjedisin dhe shëndetin e njeriut.

4.6 Informacione për bateritë e vjetra



Ky simboli në baterinë e rikarikueshme/bateri ose në paketim tregon se bateria e rikarikueshme/bateria nuk mund të hidhet bashkë me mbeturinat e shtëpisë.

Për disa bateri të rikarikueshme/bateri, ky simbol mund të shoqërohet edhe nga një simbol kimik. Simbolet për përmbajtje merkuri (Hg) ose plumbi (Pb) vendosen nëse bateritë e rikarikueshme/bateritë përmbajnë më shumë se 0,0005% merkur ose më shumë se 0,004% plumb.

Bateritë e rikarikueshme/bateritë, duke përfshirë edhe ato që nuk përmbajnë metale të rënda, nuk mund të hidhen bashkë me mbeturinat e shtëpisë. Mënjanojini bateritë e përdorura gjithmonë në përputhje me rregulloret lokale të mjedisit. Pyesni lidhur me rregulloret e zbatueshme të mënjanimit, në vendin ku jetoni.

4.7 Pajtimi me direktivën RoHS

Produkti që keni blerë është në pajtim me Direktivës RoHS të BE (2011/65/EU). Nuk përmban materiale të dëmshme dhe të ndaluara të përcaktuara në Direktivë.

4.8 Informacione për paketimin



Materialet paketues të produktit janë prodhuar me materiale të riciklueshme sipas Rregulloreve tona Kombëtare për Mjedisin. Mos i hidhni materialet e paketimit bashkë me mbeturinat shtëpiake ose të tjera. Çojini ato në pikat e grumbullimit të materialeve të paketimit, të caktuara nga autoritetet vendase.



Për vënien në punë, përdorimin e përgjithshëm dhe pastrimin, ju lutemi të respektoni udhëzimet në faqet 5-6-7 të këtij manuali.

5 Zgjidhja e problemeve

Dështim i zakonshëm	Shkaku i mundshëm	Zgjidhjet
Fshesa nuk punon	Produkti është i fikur ose bateria ka rënë	Ju lutemi të karikoni produktin para përdorimit
	Porta e thithjes së produktit është e bllokuar.	Pastrim i vrimës së thithjes së pajisjes
Thithja është shumë e dobët	Depozita e pluhurit & filtri janë me pluhur	Pastroni kovën e pluhurit dhe materialet e filtrit
	Furça rrotulluese është mbështjellë me flokë dhe sende të tjera	Pastroni furçën rrotulluese
	Situata mbetet e njëjtë	Ju lutemi të kontaktoni ekipin tonë të pas shitjes
Zhurmë e ndryshme e punës së motorit	Tubi i aluminit është bllokuar	Pastroni pengesat
	Situata mbetet e njëjtë	Ju lutemi të kontaktoni ekipin tonë të pas shitjes
Fshesa me korrent nuk punon mirë	Ka shumë pengesa në zonën e pastrimit	Hiqini pengesat me dorë
	Porta e thithjes së produktit është bllokuar	Pastroni vrimën e thithjes së pajisjes
	Situata mbetet e njëjtë	Ju lutemi të kontaktoni ekipin tonë të pas shitjes
Produkti nuk mund të karikohet	Paketa e baterisë dhe ndërfaqja e karikimit nuk janë të lidhur mirë	Ju lutemi kontrolloni mirë kontaktin
	Karikuesi ose spina ushqyese nuk është e karikuar ose është e lirshme	Kontrollojeni dhe largojeni
	Situata mbetet e njëjtë	Ju lutemi të na kontaktoni
Dështimi i zakonshëm i llambës LED	Shkaku i mundshëm	Zgjidhjet
Drita e kuqe dridhet	Produkti është i fikur ose bateria ka rënë	Ju lutemi të karikoni produktin para përdorimit
Drita e kuqe pulson	Fisha e furçës dhe motori kryesor i furçës janë në punë	Pastroni furçën rrotulluese
	Rryma e mbingarkesës është shumë e lartë	Zëvendësoni përshtatësin e duhur
Ngjyra e kuqe dhe e bardhë pulsojnë gjatë procesit të shkarkimit	Paketa e baterisë ka një problem	Ju lutemi të kontaktoni ekipin tonë të pas shitjes
Ngjyra e kuqe dhe e bardhë pulson gjatë procesit të karikimit	Paketa e baterisë nuk është instaluar mirë	<ol style="list-style-type: none"> 1- Hiqni përshtatësin 2- Vendosni sërish paketën e baterisë 3- Futni përshtatësin 4- Ndiqni rreptësisht hapat e mësipërm



Arçelik A.Ş. Karaağaç Cad.
No:2-6 Sütlüce, 34445
İstanbul, Türkiye

www.beko.com