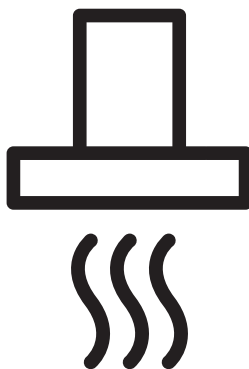




Cooker Hood

User Manual



HCA62640B - HCA62640W

EN - ES - BS - MK - PT - RO - RU - SK - SL - SQ - SR - UA - HU



01M-8848063200-3922-09
01M-8848053200-3922-09

CONTENTS

ENGLISH	3-16
ESPAÑOL	17-33
BOSANSKI	34-47
МАКЕДОНСКИ	48-66
PORTUGUÊS	67-83
ROMÂNĂ	84-100
РУССКИЙ	101-120
SLOVENSKÝ	121-134
SLOVENŠČINA	135-148
SHQIPTARE	149-162
СРПСКИ	163-179
УКРАЇНСЬКА	180-198
MAGYAR	199-212

Please read this user manual first!

Dear Valued Customer,

Thank you for preferring this Beko appliance. We hope that you get the best results from your appliance which has been manufactured with high quality and state-of-the-art technology. For this reason, please read this entire user manual and all other accompanying documents carefully before using the appliance and keep it as a reference for future use. If you handover the appliance to someone else, give the user manual as well. Follow the instructions by paying attention to all the information and warnings in the user manual.

Remember that this user manual may also apply to other models. Differences between models are explicitly described in the manual.

Meanings of the Symbols

Following symbols are used in various sections of this user manual:



Important information and useful hints about usage.



WARNING: Warnings against dangerous situations concerning the security of life and property.



WARNING: Warning for danger of fire.



WARNING: Warning for electric shock.

1 Important safety and environmental instructions

1.1 General Safety

Important Safety Instructions Read Carefully And Keep For Future Reference This section contains safety instructions that will help protect from risk of fire, electric shock, exposure to leak microwave energy, personal injury or property damage. Failure to follow these instructions shall void any warranty.

- Beko products comply with the applicable safety standards; therefore, in case of any damage on the appliance or power cable, it should be repaired or replaced by the dealer, service center or a specialist and authorized service alike to avoid any danger. Faulty or unqualified repair work may be dangerous and cause risk to the user.
- This appliance is intended to be used in household and similar applications such as:
 - Staff kitchen areas in shops, offices and other working environments;
 - Farm houses
 - By clients in hotels, and other residential type environments;
 - Bed and Breakfast type environments.
- Operate the appliance for its intended purpose only as described in this manual.
- The manufacturer cannot be held liable for damages resulting from improper installation or misuse of the product.
- This appliance can be used by children aged from 8 years and above and persons with reduced physical, sensory or mental capabilities or lack of experience and knowledge if they have been given supervision or instruction concerning use of the appliance in a safe way and understand the hazards involved.
- Children shall not be allowed play with the appliance. Cleaning and user maintenance shall not be made by children without supervision.

1 Important safety and environmental instructions

- The minimum distance between the supporting surface for the cooking vessels on the hob and the lowest part of your product must be at least 65 cm.
 - If the instructions for installation for the gas hob specify a greater distance, this has to be taken into account.
 - Make sure that your mains power supply complies with the information supplied on the rating plate of the appliance.
 - Never use the appliance if the power cable or the appliance itself is damaged.
 - Prevent damage to the power cable by not squeezing, bending, or rubbing it on sharp edges. Keep the power cable away from hot surfaces and naked flame.
 - Use the appliance with a grounded outlet only.
- WARNING:** Do not connect the appliance to the mains until the installation is fully complete.
- Place the appliance in a way so that the plug is always accessible.
 - Do not touch the lamps if they have operated for a long time. They can burn your hands since they will be hot.
 - Follow the regulations set out by competent authorities on discharge of the exhaust air (this warning is not applicable for use without flue).
 - Operate your appliance after putting a pot, pan etc. on the hob. Otherwise, high heat may cause deformation in some parts of your product.
 - Turn off the hob before taking the pot, pan etc. from it.
 - Do not leave hot oil on the hob. Pans with hot oil may cause self combustion.
 - Pay attention to your curtains and covers since oil may catch fire while cooking food such as fries.
 - Grease filter must be cleaned at least monthly. Carbon filter must be replaced at least every 3 months.

1 Important safety and environmental instructions

- Product shall be cleaned accordance with user manual. If cleaning was not carried out in accordance with user manual, there may be fire risk.
- Do not use non-fire-resistant filtering materials instead of the current filter.
- Only use the original parts or parts recommended by the manufacturer.
- Do not operate the product without the filter and do not remove the filters while the product is running.
- In the event of be started any flame, de-energize your product and cooking appliances.
- In the event of be started any flame, cover the flame and never use water to extinguish.
- Unplug the appliance before each cleaning and when the appliance is not in use.
- The negative pressure in the environment should not exceed 4 Pa (4x10 bar) while the hood for electric hob and appliances running on another type of energy but electricity operate simultaneously.
- In the environment where the appliance is being used, the exhaust of devices running on fuel oil or gas, such as room heater must be absolutely isolated or device must be hermetical type.
- When connecting the flue, use pipes with a diameter of 120 or 150 mm. Pipe connection must be as short as possible and have as few elbows as possible.

Danger of choking! Keep all the packaging materials away from children.

CAUTION: Accessible parts may become hot when used with cooking appliances.

- The product outlet must not be connected to air channels that include other smoke.
- The ventilation in the room may be insufficient when the hood for electric hob is used simultaneously with the devices operating on gas or other fuels (this may not apply to appliances that only discharge the air back into the room).

1 Important safety and environmental instructions

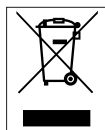
- Objects placed on the product may fall. Do not place any objects on the product.
- Do not flambe under the your product.

WARNING: Before installing the Hood, remove the protective films.

- Never leave high naked flames under the hood when it is in operation
- Deep fat fryers must be continuously monitored during use: overheated oil can burst into flames.

1.2 Compliance with the WEEE Directive and Disposing of the Waste Product:

This product complies with EU WEEE Directive (2012/19/EU). This product bears a classification symbol for waste electrical and electronic equipment (WEEE).



This symbol indicates that this product shall not be disposed with other household wastes at the end of its service life. Used device must be returned to official collection point for recycling

of electrical and electronic devices. To find these collection systems please contact to your local authorities or retailer where the product was purchased. Each household performs important role in recovering and recycling of old appliance. Appropriate disposal of used appliance helps prevent potential negative consequences for the environment and human health.

1.3 Compliance with RoHS Directive

The product you have purchased complies with EU RoHS Directive (2011/65/EU). It does not contain harmful and prohibited materials specified in the Directive.

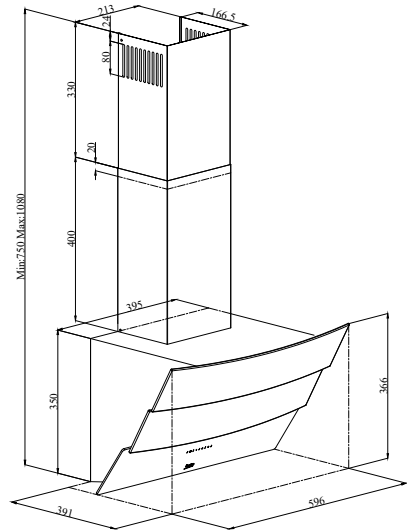
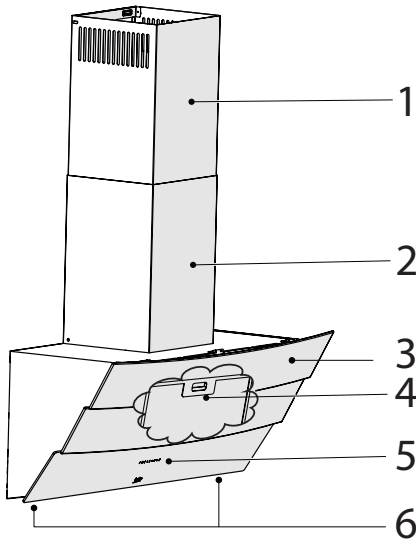
1.4 Package Information



Packaging materials of the product are manufactured from recyclable materials in accordance with our National Environment Regulations. Do not dispose of the packaging materials together with the domestic or other wastes. Take them to the packaging material collection points designated by the local authorities.

2 General appearance

2.1 Overview



(Figure 1)

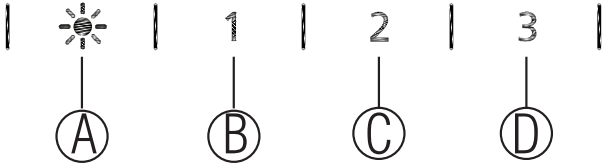
1. Inner chimney
2. Outer chimney
3. Body
4. Grease filter (Behind Glass Cover)
5. Control panel
6. Lighting

2.2 Technical data

Model	HCA62640B	HCA62640W
Supply voltage & frequency	220-240V ~ 50 Hz	
Lamp power	2x3 W	
Motor power	210 W	
Flow rate – 3. Level	582 m ³ /h	
Insulation class of motor	Class F	
Insulation class	Class I	

3 Operation of the appliance

3.1 Controlling the appliance

	
KEY	FUNCTION
A : Light On / Off	You may illuminate the cooking area by pressing this button. Re-press the button to turn off the lamp.
B : 1. Stage Button	Operates the appliance on 1st speed. When you press this button again to turn off the appliance, the screen speed stage turns off.
C : 2. Stage Button	Operates the appliance on 2nd speed. When you press this button again to turn off the appliance, the screen speed stage turns off.
D : 3. Stage Button	Operates the appliance on 3rd speed. When you press this button again to turn off the appliance, the screen speed stage turns off.

3.2 Efficient use in terms of energy saving

- When using your appliance, adjust the speed settings according to vapour and odour intensity, in order to save energy.
- Use low speeds (1-2) under normal conditions, and high speed (3) for intense odour and vapour.
- The lamps on the hood are placed for illuminating the cooking area.
- Using them for environmental lighting shall cause unnecessary energy expenditure and insufficient lighting.
- For your device to consume less energy, run it at a low speed level.
- Your device will reduce energy consumption as it will run more efficiently when you provide sufficient air intake to it.
- Set your device to the intense suction power level before the formation of steam, in cases where you know that the dense steam will occur. So, you reduce energy consumption by using your device for a shorter time as it will have a sufficient air intake.
- Keep the lids of the cookware closed to reduce the steam evolving.

3.3 Operation of the hood

- Your appliance contains a motor that has various speeds.
- For better performance, we recommend using low speeds under normal conditions and high speeds in cases of strong odours and intense vapour.
- You can start your appliance by pressing on the desired speed setting button. (B,C,D)
- You can illuminate the cooking area by pressing the lamp. (A)

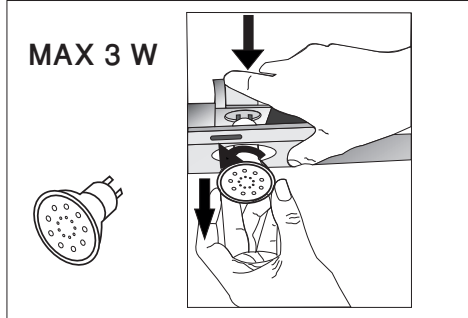
3 Operation of the appliance

3.4 Automatic stop

Your appliance has Automatic Stop feature, enabling it to ventilate for a bit more and remove the unwanted odours and vapour inside the environment and turn off automatically after the cooking is done. To enable Automatic Stop feature, press the any speed stage button (B, C, D) on the control panel for longer than 2 seconds; the 15-minute timer function shall be activated. When the automatic stop feature is active, pressing the same speed button shall disable the automatic stop function and the appliance's motor shall stop. This feature is disabled when you switch between different speed stages.


If you want the appliance to stop automatically, you need to enable the automatic stop feature again.

3.5 Replacement of lamp



(Figure 3)

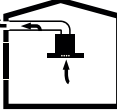
Make the electrical connections of the appliance. Your appliance uses 3W spot LED lamp. For replacing the lamps, push downwards on the holder from its behind, turn it counter-clockwise, and take it out downwards. Apply the above operation in reverse to install new lamps.

Bulb	
Bulb power	3 W

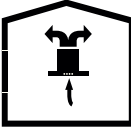
Holder / Socket	GZ 10
Bulb voltage	220 - 240 V
Size	53x50 mm
ILCOS Code	DR/F3-220-240-GZ10-50-53
Luminous flux	260 lm
Correlated colour temperature	3000 K

This product contains a light source of energy efficiency class "F".

3.6 Operation with flue connection

-  Vapour is extracted through the flue duct, which is fastened to the connection head on the hood.
- The diameter of the flue duct must be the same as the connection ring. In horizontal settings, the pipe has to have a slight upward slope (around 10°) so that the air can exit the room easily.

3.7 Operation without flue connection

-  Air is filtered through the carbon filter and recirculated in the room. Carbon filter is used when it is impossible to use a flue in the house.
- In flueless use, remove the flaps inside the flue adapter.
- Remove the grease filter. To install the carbon filter, fit the filter to the tabs by centring it on the plastic piece on both sides of the fan body. Tighten it by turning right or left.
- Replace grease filter.

4 Cleaning and maintenance

The device should be cleaned and maintained regularly. Failure to keep the device clean will adversely affect the service life of the device. For cleaning and maintenance, follow the instructions stated in the manual.



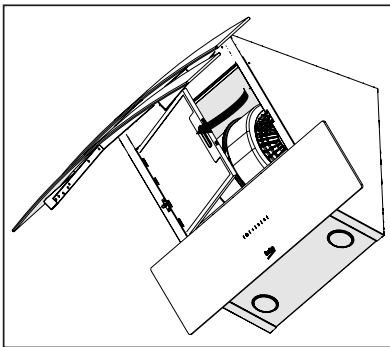
Before cleaning and maintenance, unplug the product or turn off the switch.



Non-compliance with the provisions associated with the cleaning of the device and replacement of the filters may result in a risk of fire. Therefore, it is recommended to follow the guidelines stated here. The manufacturer is not responsible for the engine damages or fires originating from the improper use.

4.1 Cleaning of the grease filter

Grease filter retains the oil particles in the air. Grease filters may change colour after repeated cleaning. This is normal and does not require replacement of filters.



(Figure 4)

- Push the grease filter lock forward.
- Then pull it slightly down and pull it out (Figure 4). Otherwise, you can bend the filter. Wash and rinse grease filters with liquid detergent and

replace grease filters to their sockets by carrying out the steps specified above in reverse order. This filter retains the oil particles in the air.



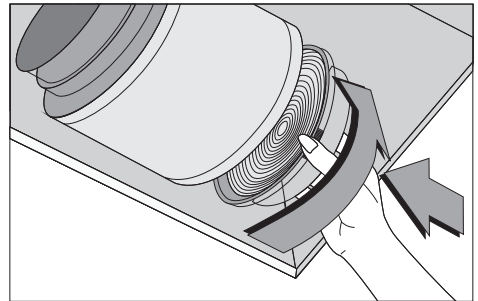
You may wash your grease filters in the dishwasher.



CAUTION: In case of normal use, clean your filter once in a month.

4.2 Replacement of carbon filters

Odour removing filters contain charcoal (Active carbon). Grease filters must be installed in the product, regardless of whether or not carbon filters are used.



(Figure 5)

- Remove the grease filter.
- To remove the carbon filter, remove the carbon filter from its housing by rotating it counter-clockwise from the tab (Figure 5).
- Install the new carbon filter.
- Install the grease filter.

CAUTION



- Carbon filter shall never be washed.
- Replace carbon filters once every 3 months.
- You can obtain the carbon filter from the authorized services.

5 Installation of appliance



WARNING: Before starting the installation, read the safety information on User Manual.

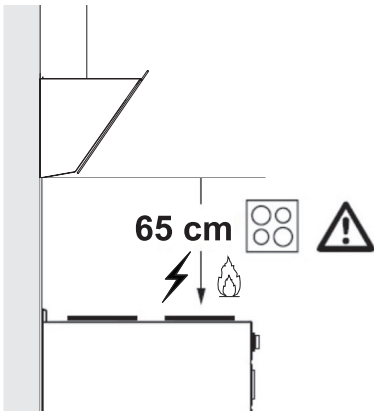


WARNING: Failure to install with screws and stabilizers in accordance with these instructions may result in electric shock.

For the installation of the hood, please contact the nearest Authorized Service.

It is the customer's responsibility to prepare the location and electrical installation of the hood.

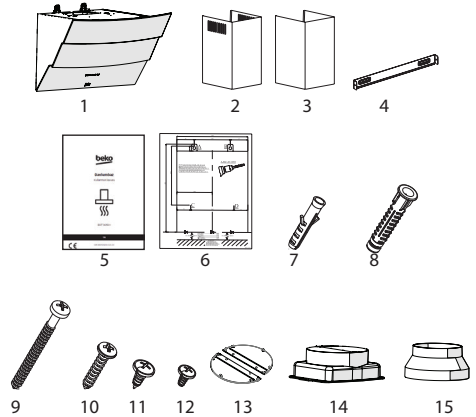
5.1 Position of the appliance



(Figure 6)

- Distance between the cooker and the cooker hood must be considered prior to assembly. This distance should be 65 cm (Figure 6).
- Distance must be measured from the surface of grate for gas cookers, From surface of glass for electric cookers.

5.2 Installation accessories



1. Product
2. Inner chimney
3. Outer chimney
4. Chimney connection plate
5. User manual
6. Assembly pattern
7. 2x Ø6mm plastic dowel
8. 4x Ø8mm plastic dowel
9. 4x 4.8x50 wall mount screw
10. 2x 3.9x22 chimney connection plate screw
11. 4x 3.5x9.5 chimney connection screw
12. 2x 3.5x9.5 blunt-ended screw
13. Chimney clamp
14. 150mm plastic chimney adapter
15. 150/120 Plastic chimney adapter

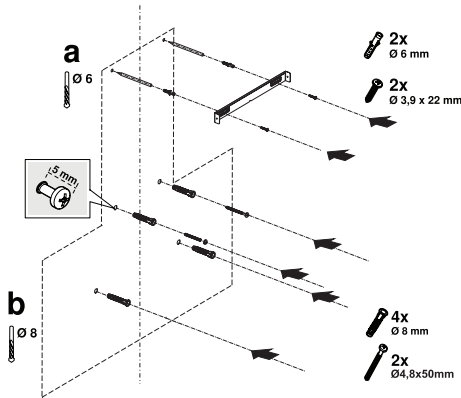
The information required to make the location suitable for the installation of the hood is given below.

5.3 Wall mounting

- Wall must be flat, straight and have the sufficient bearing capacity.

5 Installation of appliance

- Depth of drilling holes must comply with the length of bolts.
- The bolts and dowels provided are suitable for brick walls. For other construction material (e.g. drywall, plate, porous concrete), suitable fixing dowels and nuts shall be used.



(Figure 7)



CAUTION: Before drilling, ensure that there are no power, gas or water pipes in the close proximity of the drilling locations.

Draw a mid location line from the ceiling perpendicular to the lower edge of the hood.

Paste the installing template provided within the accessories on the surface where the hood is to be mounted. In doing this operation, observe the mounting height of the hood (Figure 6).

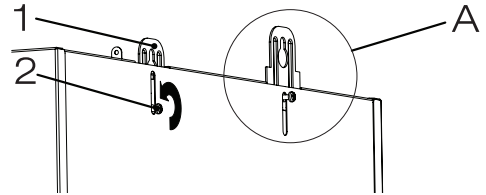
There is a tab in the middle of the flue connection plate. Place the middle point of this tab on the line that is drawn perpendicular to the wall. In doing this operation, adjust the hood according to the maximum height (Figure 1). Mark the holes where the flue connection plate will be mounted with the help of a pen (Figure 7/a).

Drill the marked points with Ø6mm drill and insert 2 plastic dowels in the drilled holes (Figure 7/a). Fix the flue connection plate to the wall with

3,9x22 screws (Figure 7/a).

To assemble the hood body, you can use the Ø8mm drill bit to drill points A, B, C, D on the assembly template, and insert 4.8x50mm plastic dowels at these points. (Figure 7/b).

2 piece 4.8x50 suspension screw with a clearance of 5 mm between the screw head and the wall (Figure 7/b).



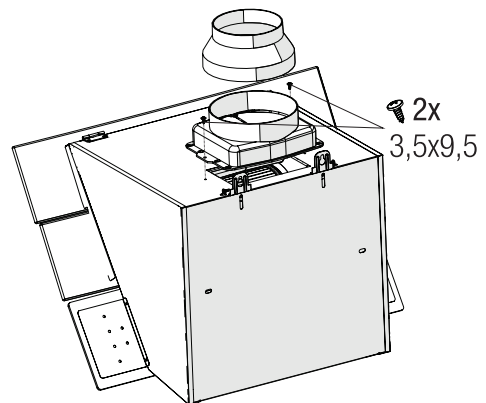
(Figure 8)

1. Hanger plate

2. Hanging plate connection screw

In order to install your hood to the wall, loosen the screws on the hanger plates mounted on the motor cabin and pull them up, and then fasten again (Figure 8 / A).

Turn on the suction glass of the hood and remove the grease filter (Figure 4).

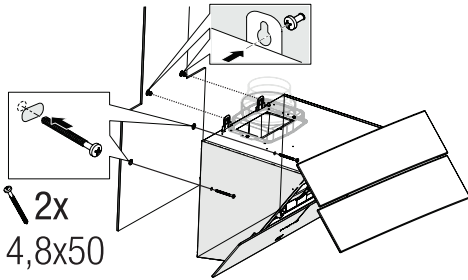


(Figure 9)

Attach the 150mm plastic chimney adapter included in the package to the product body with

5 Installation of appliance

3.5x9.5 blunt-ended screws. If the air outlet is to be connected to the air discharge duct smaller than 150mm, install the 150 / 120mm plastic flue adapter (Fig. 9).

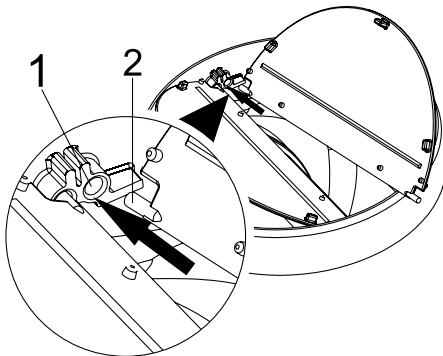


(Figure 10)

Hold the cooker hood by its body and place it on the mounting screws on the wall and tighten the screws (Figure 10).

Secure the cooker hood with two 4.8x50 screws to the wall through the mounting hole on the interior of the appliance (Figure 10).

5.4 Connecting to flue



(Figure 11)

1. Flap pin socket
2. Flap pin

Insert the plastic pin (Figure 11 / area no. 2) on the pin socket on the motor exhaust (Figure 11 / area no.1). Then bend the flap lightly to insert the other pin on the flap and insert the other pin to its socket (Figure 11).

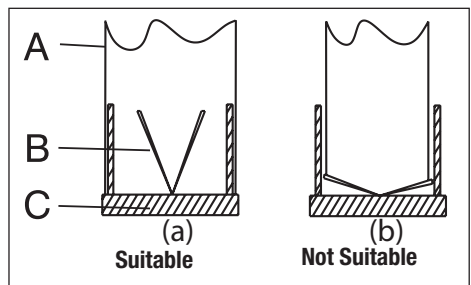
If you are going to use the \varnothing 120/150 mm plastic flue adapter, connect one end of the pipe to this adapter, if you are not going to use it, to the direct output on the product. Connect the other end of the pipe to your flue. Check that these two connections are tight enough so they will not come out when the appliance runs on full power. Ensure that the flaps inside the flue work when tightened with clamp. Connect the flue connection duct outside the adapter (Figure 12/a). If the connection duct is fitted inside the adapter, suction of air shall not occur as the flue flap that prevents the return of air will remain closed (Figure 12 / b). The length of the pipe connection as well as the number of elbows must be as minimum as possible.

A : Flue exit pipe

B : Flue clamps

C: Plastic flue

The valves are closed then the appliance is not operating and prevent possible outside odour and dust from entering inside.



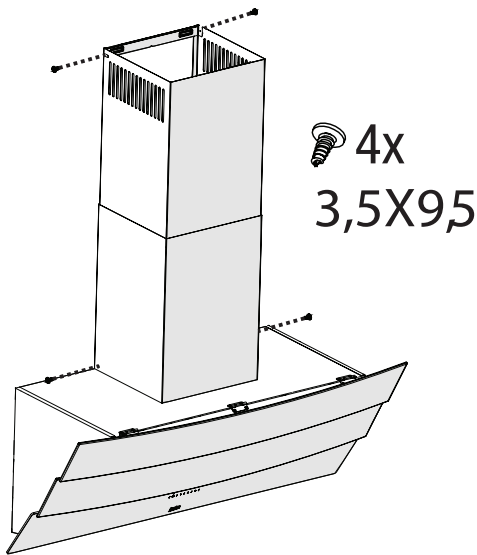
(Figure 12)

5 Installation of appliance

5.5 Installation of the hood to the flue

Make the electrical connection of your hood before starting the installation of the flue. Slip the flue plates around the body. Screw the flue to the flue fastening plates available on the motor cabin. (Figure 13).

Install the flue to the flue fastening plate that is secured to the wall from its upper outer edges (Figure 13).



(Figure 13)

5.6 Storage

- If you do not intend to use the appliance for a long time, please store it carefully.
- Please make sure that the appliance is unplugged, cooled down and totally dry.
- Store the appliance in a cool and dry place.
- Keep the appliance out of the reach of children

5.7 Handling and transportation

- During handling and transportation, carry the appliance in its original packaging. The packaging of the appliance protects it against physical damages.
- Do not place heavy loads on the appliance or the packaging. The appliance may be damaged.
- Dropping the appliance will render it non-operational or cause permanent damage.

6 Troubleshooting

Troubleshooting	Root Cause	Help
Appliance is not working.	Check your fuses.	Fuse may be blown, inspect and restore it.
Appliance is not working.	Check the electrical connection.	Mains voltage shall be between 220 and 240 V.
Appliance is not working.	Check the electrical connection.	Check if other appliance in your kitchen operate.
Illumination light does not operate.	Check the electrical connection.	Mains voltage shall be between 220 and 240 V.
Illumination light does not operate.	Inspect the lamp switch.	Lamp switch shall be at "on" position.
Illumination light does not operate.	Inspect the lamps.	The lamps of the appliance shall illuminate.
Air inlet of the appliance is inadequate.	Inspect the grease filter.	Under normal operating conditions, grease filter shall be cleaned at least once in a month.
Air inlet of the appliance is inadequate.	Check the air discharge flue.	The air discharge flue shall be at "on" position.
Air inlet of the appliance is inadequate.	Inspect the carbon filter.	The filters of the appliances with carbon filters shall be replaced once in every 3 months under normal conditions.

¡Lea el manual de usuario antes de utilizar el aparato!



Estimado cliente:

Gracias por elegir un aparato Beko. Esperamos que obtenga los mejores resultados de su aparato, ya que ha sido fabricado con gran calidad y con tecnología de última generación. Por esta razón, le aconsejamos que lea este manual de usuario y todos los demás documentos adjuntos con atención antes de utilizar el aparato y que los guarde para futuras consultas. Si entrega este aparato a otra persona, proporciónese también el manual de usuario. Siga las instrucciones prestando especial atención a toda la información y advertencias incluidas en el manual de usuario.

Recuerde que este manual de usuario también puede servir para otros modelos. En el manual se describen las diferencias entre los modelos explícitamente.

Significado de los símbolos

Los siguientes símbolos se usan en las diversas secciones del presente manual de usuario:

	Información importante y consejos útiles sobre su uso.
	ADVERTENCIA: Advertencias de situaciones peligrosas sobre la seguridad de las personas y la propiedad.
	ADVERTENCIA: Advertencia de peligro de incendio.
	ADVERTENCIA: Advertencia sobre posibles descargas eléctricas.

1 Instrucciones importantes para la seguridad y el medio ambiente

1.1 Seguridad general

Lea las instrucciones importantes de seguridad y guárdelas para su futura consulta

Esta sección contiene instrucciones de seguridad que ayudarán a la protección contra los riesgos de incendio, descargas eléctricas, exposición a la energía de microondas, lesiones personales o daño a la propiedad. El incumplimiento de estas instrucciones anulará cualquier tipo de garantía.

- Los productos Beko cumplen con todas las normas de seguridad aplicables; por ello, si el cable o el aparato presentan daños, deberán ser reparados o sustituidos por el distribuidor, un servicio técnico o una persona cualificada y autorizada para evitar cualquier peligro. Los trabajos de reparación deficientes o realizados por personal no cualificado puede ser peligrosos y entrañar riesgos para el usuario.
- Este aparato está destinado al uso doméstico y aplicaciones parecidas, como por ejemplo:

- Cocinas para uso del personal de tiendas, oficinas y otros entornos laborales;
 - Casa rurales;
 - Por clientes en hoteles o cualquier otro tipo de entorno residencial;
 - Entornos de tipo «Habitación y desayuno» (Bed and Breakfast).
- Utilice este aparato únicamente para su uso previsto, tal como se describe en este manual.
 - El fabricante no se hace responsable de los daños provocados por una instalación incorrecta o un uso inapropiado del producto.
 - Este aparato puede ser utilizado por niños mayores de 8 años y por personas con capacidades físicas, sensoriales o mentales reducidas o con falta de experiencia y conocimientos, siempre que estén bajo supervisión o hayan recibido instrucciones pertinentes sobre el uso del aparato de manera segura y comprendan los peligros que conlleva.

1 Instrucciones importantes para la seguridad y el medio ambiente

- No deje que los niños jueguen con el aparato. La limpieza y mantenimiento del usuario no deben ser realizados por niños sin supervisión.
 - La distancia mínima entre la superficie de soporte de los recipientes para cocinar en los fogones y la parte más baja de su aparato debe ser de al menos 65 cm.
 - Si en las instrucciones de instalación de la placa de gas se indica una distancia superior, deberá tenerse en cuenta este hecho.
 - Asegúrese de que la fuente de alimentación cumpla con la información que se indica en la placa de datos del aparato.
 - Nunca utilice el aparato si está dañado el cable de alimentación o el mismo aparato.
 - Evite daños al cable procurando que no sufra tirones, no se doble y no roce con bordes afilados para evitar dañarlo. Mantenga el cable de corriente alejado de superficies calientes y llamas descubiertas.
 - Use el aparato únicamente con un enchufe con toma a tierra.
- ADVERTENCIA:** No conecte el aparato a la red eléctrica antes de que la instalación se haya realizado por completo.
- Coloque siempre el aparato de forma que el enchufe quede a mano.
 - No toque las lámparas si han estado en funcionamiento durante mucho tiempo. Pueden ocasionar quemaduras en las manos ya que estarán calientes.
 - Siga las normas establecidas por las autoridades competentes para la descarga del aire de salida (esta advertencia no es aplicable sin la conexión de la chimenea).
 - Encienda el aparato después de colocar una olla, una sartén, etc, en los fogones. De lo contrario, las altas temperaturas pueden provocar deformaciones en algunas partes del aparato.
 - Apague los fogones antes de retirar las ollas, los sartenes, etc.

1 Instrucciones importantes para la seguridad y el medio ambiente

- No deje aceite caliente en los fogones. Las sartenes con aceite caliente pueden ocasionar auto-combustión.
- Preste atención a las cortinas y los estores, ya que, al cocinar platos como patatas fritas, el aceite puede originar un incendio.
- El filtro antigrasa se debe reemplazar por lo menos una vez al mes. El filtro de carbón se debe reemplazar por lo menos cada 3 meses.
- El producto se debe limpiar siguiendo las instrucciones del manual de usuario. Si la limpieza no se ha llevado a cabo siguiendo el manual de usuario, puede haber riesgo de incendio.
- No use materiales filtrantes que no resistan el fuego en vez del filtro actual.
- Utilice únicamente accesorios originales o bien los que recomienda el fabricante.
- No use el aparato sin el filtro y no retire los filtros mientras el aparato esté en funcionamiento.
- En caso de fuego, desactive su producto y los aparatos de cocina.
- En caso de fuego, cubra la llama y nunca utilice agua para apagarlo.
- Desenchufe el aparato antes de cada limpieza y cuando no esté en uso.
- La presión negativa de la estancia no debe superar los 4 Pa (4 x 10 bar) cuando la campana para una placa eléctrica funcione simultáneamente con dispositivos de otro tipo de energía excepto la electricidad.
- En la estancia en donde se encuentra el aparato, el escape de equipos de combustible o gas, como calefactores, deben ser herméticos o estar absolutamente aislados.
- Para la conexión de la chimenea, use tuberías de 120 o 150 mm de diámetro. La conexión de las tuberías debe ser lo más corta posible y tener la menor cantidad de codos de tubería.

1 Instrucciones importantes para la seguridad y el medio ambiente

- ¡Peligro de descarga eléctrica! Mantenga todos los materiales de embalaje alejados de los niños.

PRECAUCIÓN: Las partes accesibles pueden alcanzar temperaturas elevadas al usarse con cocinas.

- El canal de salida del aparato no debe estar conectado a canales de aire por los que pasan humo.
- La ventilación de la estancia puede ser insuficiente cuando la campana extractora para placas eléctricas se utiliza al mismo tiempo que los aparatos que funcionan con gas u otros combustibles (esto puede no ser aplicable a los aparatos que solamente descargan el aire de nuevo en la estancia).
- Los objetos colocados encima del producto pueden caerse. No coloque ningún objeto encima del aparato.
- No flambear debajo del aparato.

ADVERTENCIA: Antes de instalar la campana, retire las películas protectoras.

- No dejar llamas altas descubiertas debajo de la campana extractora cuando está en funcionamiento
- Las freidoras se deberán vigilar continuamente durante su utilización: el aceite sobrecalentado es inflamable.

1.2 De conformidad con la Directiva RAEE y eliminación del producto al final de su vida útil:

Este producto cumple con la Directiva RAEE de la UE (2012/19/UE). Este producto lleva un símbolo de clasificación de residuos de aparatos eléctricos y electrónicos (RAEE).



Este símbolo indica que este producto no debe eliminarse con otros residuos domésticos al final de su vida útil. El aparato usado debe ser devuelto al punto de recogida oficial para el reciclaje de aparatos eléctricos y electrónicos. Para encontrar estos sistemas de recogida, por favor, póngase en contacto con las autoridades locales o con el distribuidor donde se compró el producto. Cada hogar desempeña un papel importante en la recuperación y el reciclaje de los aparatos viejos. La eliminación adecuada de los aparatos usados ayuda a prevenir las posibles consecuencias negativas para el medio ambiente y la salud humana.

1

Instrucciones importantes para la seguridad y el medio ambiente

1.3 Conformidad con la Directiva RoHS

El producto que ha adquirido cumple con la Directiva RoHS de la UE (2011/65/UE). No contiene materiales peligrosos ni prohibidos especificados en la Directiva.

1.4 Información sobre el embalaje

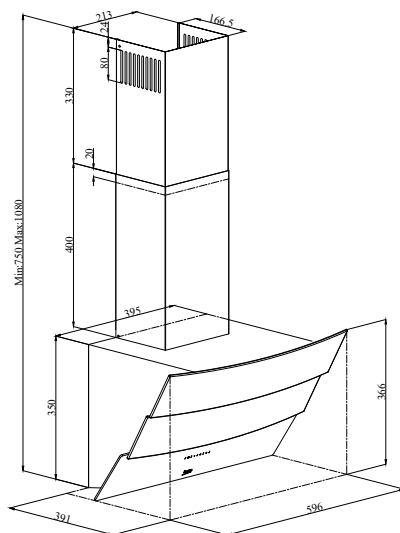
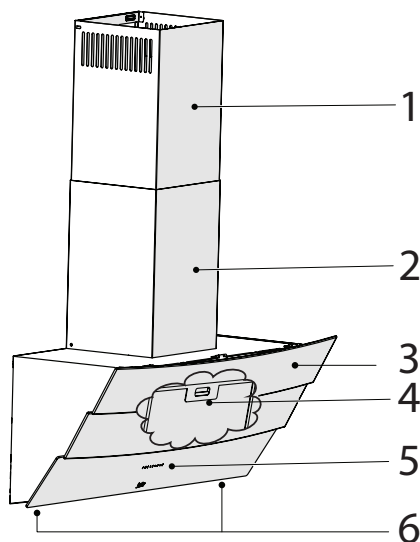


Los materiales de embalaje del producto están fabricados con materiales reciclables de acuerdo con nuestra Normativa Medioambiental Nacional.

No deseche los materiales de embalaje junto con los residuos domésticos o de otro tipo. Llévelos a los puntos de recogida de material de embalaje designados por las autoridades locales.

2 Apariencia general

2.1 Descripción general



(Figura 1)






1. Chimenea interior
2. Chimenea exterior
3. Cuerpo
4. Filtro de grasa (Tras la cubierta de vidrio)
5. Panel de mandos
6. Iluminación

2.2 Datos técnicos

Modelo	HCA62640B	HCA62640W
Tensión de alimentación	220-240V ~ 50 Hz	
Potencia de la bombilla	2x3 W	
Potencia del motor	210 W	
Caudal – 3. Nivel	582 m ³ /h	
Clase de aislamiento del motor	Clase F	
Clase de aislamiento	Clase I	

3 Funcionamiento del aparato

3.1 Control del aparato

		1	2	3	
					
BOTÓN	FUNCIÓN				
A : Luz Encendida / Apagada	Puede iluminar el área de cocción pulsando este botón. Vuelva a pulsar este botón para apagar la bombilla.				
B : 1. Botón de nivel	Hace funcionar el aparato en la primera velocidad. Cuando se pulsa este botón de nuevo para apagar el aparato, el nivel de velocidad de la pantalla se apaga.				
C : 2. Botón de nivel	Hace funcionar el aparato en la segunda velocidad. Cuando se pulsa este botón de nuevo para apagar el aparato, el nivel de velocidad de la pantalla se apaga.				
D : 3. Botón de nivel	Hace funcionar el aparato en la tercera velocidad. Cuando se pulsa este botón de nuevo para apagar el aparato, el nivel de velocidad de la pantalla se apaga.				

3.2 Funcionamiento eficiente y ahorro de energía uso

- Al utilizar su campana, ajuste la velocidad de acuerdo a la cantidad de vapores y olores existentes, para así ahorrar energía.
- Utilice velocidades bajas (1-2) en condiciones normales, y velocidades altas (3) para el olor y el vapor intensos.
- Las lámparas en la campana son colocadas para iluminar la superficie donde se cocina.
- Al usarlas como luces de ambientación se desperdiciará energía innecesariamente y dará una luz insuficiente.
- Para que el aparato consuma menos electricidad, hágalo funcionar a un nivel de velocidad bajo.
- El aparato reducirá el consumo eléctrico, ya que funcionará más eficazmente cuando le proporcione una entrada de aire suficiente.
- Ponga el aparato en el nivel de potencia de aspiración intensa antes de la formación de vapor, en los casos en que sepa que se producirá el vapor denso. Así, reducirá el consumo eléctrico utilizándolo durante menos tiempo, ya que tendrá una entrada de aire suficiente.
- Mantenga las tapas de las ollas cerradas para reducir la evolución del vapor.

3.3 Instrucciones de funcionamiento

- Su campana contiene un motor con varias velocidades.
- Para un mejor rendimiento, recomendamos utilizar velocidades bajas en condiciones normales y velocidades altas en casos de olores fuertes y vapor intenso.
- Puede iniciar su campana pulsando el botón de la velocidad deseada. (B, C, D)
- Puede iluminar el área de cocción presionando la lámpara (A).

3 Funcionamiento del aparato

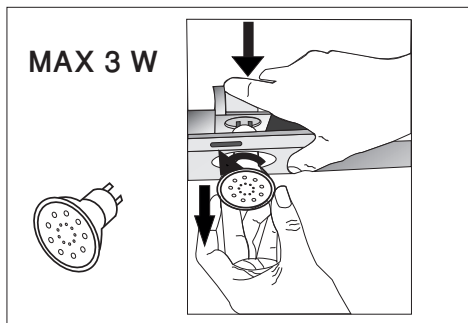
3.4 Parada automática

Su aparato tiene la función de parada automática, que le permite ventilar un poco más y eliminar los olores y vapores indeseados del ambiente, y se apaga automáticamente después de terminar de cocinar. Para activar la función de parada automática, pulse el botón de cualquier nivel de velocidad (B, C, D) en el panel de control durante más de 2 segundos; se activará dicha función con un temporizador de 15 minutos.

Cuando la función de parada automática esté activa, al pulsar el mismo botón de velocidad se desactivará la función de parada automática y el motor del aparato se detendrá. Esta función se desactiva cuando se cambia entre los diferentes niveles de velocidad.

Si desea que el aparato se detenga automáticamente, debe activar de nuevo la función de parada automática.

3.5 Reemplazo de la lámpara



(Figura 3)

Haga las conexiones eléctricas del aparato. Su aparato utiliza una bombilla LED de 3W. Para cambiar las bombillas, empuje el soporte desde atrás hacia abajo, gírelo en sentido contrario a las agujas del reloj y sáquelo hacia abajo. Haga lo anterior a la inversa para instalar nuevas bombillas.

Bombilla	
Potencia de la bombilla	3 W
Soporte/Enchufe	GZ 10
Voltaje de la bombilla	220 - 240 V
Tamaño	53x50 mm
Código ILCOS	DR/F3-220-240-GZ10-50-53
Flujo luminoso	260 lm
Temperatura de color correlativa	3000 K

Este producto dispone de una fuente luminosa de clase de eficiencia energética "F".

3.6 Funcionamiento con conexión al conducto

- El vapor se extrae a través del conducto de humo, que está sujeto a la cabeza de conexión en la campana.
- El diámetro del conducto de humos debe ser el mismo que el del anillo de conexión. En los entornos horizontales, el tubo tiene que tener una ligera inclinación hacia arriba (alrededor de 10°) para que el aire pueda salir fácilmente de la habitación.

3.7 Funcionamiento sin conexión al conducto

- El aire se filtra a través del filtro de carbón y circula en la habitación. El filtro de carbón se utiliza cuando es imposible utilizar un conducto para humos en casa.
- Si el funcionamiento es sin conducto, quite las tapas dentro del adaptador del conducto.
- Retire el filtro de aceite. Para instalar el filtro de

3 Funcionamiento del aparato

carbón, colóquelo en las pestañas centrándolo en la pieza de plástico a ambos lados del cuerpo del ventilador. Apriételo girando a la derecha o a la izquierda.

- Reemplace el filtro de aceite.

4 Limpieza y mantenimiento

Deberá limpiar y mantener el aparato regularmente. No mantener el aparato limpio afectará negativamente a la vida útil del mismo. Para la limpieza y el mantenimiento, siga las instrucciones indicadas en el manual.



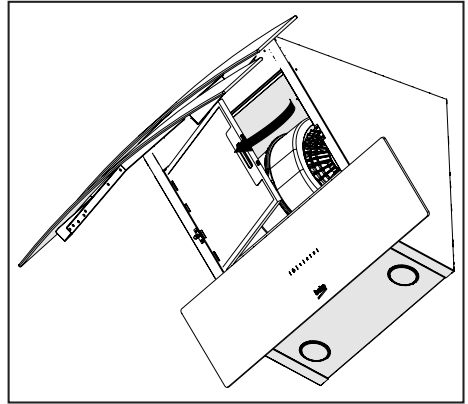
Antes de la limpieza y el mantenimiento, desenchufe el producto o apague el interruptor.



El incumplimiento de las disposiciones relativas a la limpieza del aparato y a la sustitución de los filtros puede suponer un riesgo de incendio. Por lo tanto, se recomienda seguir las directrices aquí indicadas. El fabricante no se hace responsable de los daños en el motor o de los incendios originados por un uso inadecuado.

4.1 Limpieza de los filtros de aceite

El filtro de aceite se utiliza para retener las partículas de aceite en el aire. Los filtros pueden cambiar de color después de ser limpiados repetidamente. Esto es normal, y no debe reemplazar sus filtros.



(Figura 4)

- Empuje el cierre del filtro de aceite hacia adelante.
- Luego tire ligeramente hacia abajo y sáquelo (Figura 4). De lo contrario, puede deformar el filtro. Lave y enjuague los filtros de aceite con detergente líquido y sustituya los filtros de aceite realizando los pasos especificados anteriormente en orden inverso. Estos filtros de aceite se utilizan para retener las partículas de aceite en el aire.



Puede lavar el filtro en el lavavajillas.

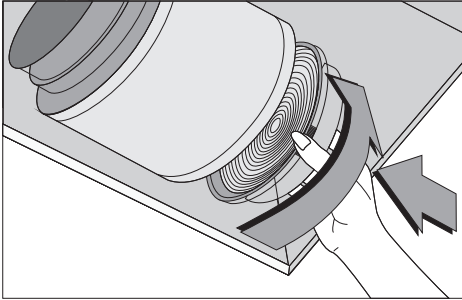


PRECAUCIÓN: En caso de uso normal, limpie el filtro una vez al mes.

4 Limpieza y mantenimiento

4.2 Sustitución de los filtros de carbón

Los filtros de eliminación de olores contienen carbón (carbón activo). Los filtros de grasa deben estar instalados en el producto, sin importar si se utilizan filtros de carbón o no.



(Figura 5)

- Retire el filtro de grasas.
- Para retirar el filtro de carbón, sáquelo de su alojamiento girándolo en sentido contrario a las agujas del reloj desde la pestaña (Figura 5).
- Instale el nuevo filtro de carbón.
- Instale el filtro de grasas.

PRECAUCIÓN



- El filtro de carbón nunca será lavado.
- Reemplace los filtros de carbón una vez cada 3 meses.
- Puede obtener el filtro de carbón en los servicios técnicos autorizados.

5 Instalación del aparato



¡ADVERTENCIA: Antes de comenzar la instalación, lea la información de seguridad en el manual de usuario.

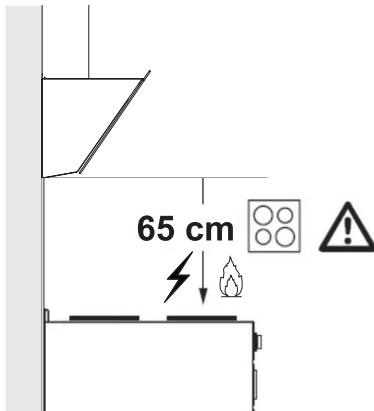


¡ADVERTENCIA: Si no se instalan los tornillos y estabilizadores de acuerdo con estas instrucciones, puede producirse una descarga eléctrica.

Para la instalación de la campana, por favor contacte con el servicio técnico autorizado más cercano.

Es responsabilidad del cliente proveer la ubicación e instalación eléctrica apropiadas para la campana.

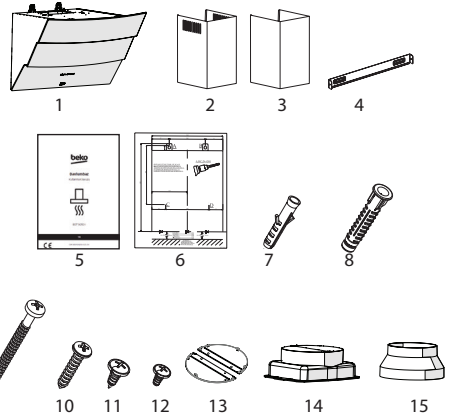
5.1 Posición del aparato



(Figura 6)

- La distancia entre la cocina y la campana extractora debe ser tenida en cuenta antes del montaje. Esta distancia debe ser de 65 cm.
- La distancia debe medirse desde la superficie de la rejilla para las cocinas de gas, y desde la superficie del vidrio para las cocinas eléctricas.

5.2 Accesorios de instalación



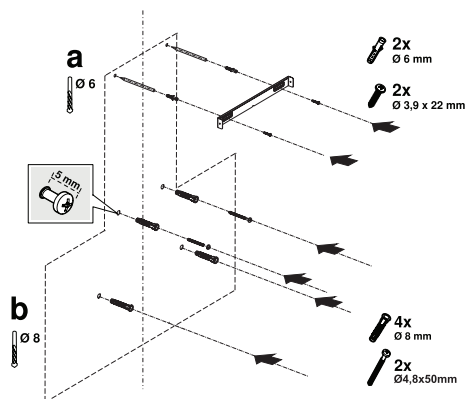
1. Producto
2. Chimenea interior
3. Chimenea exterior
4. Placa de conexión del conducto
5. Manual del Usuario
6. Patrón de ensamblaje
7. 2 clavijas de plástico de Ø6mm
8. 4x Ø8mm - Tacos de plástico
9. 4x 4.8x50 Tornillos de montaje en la pared
10. 2x 3.9x22 Tornillos de conexión de la placa de conexión del conducto
11. 4x 3.5x9.5 Tornillos de conexión del conducto
12. 2x 3.5x9.5 Tornillos de punta roma
13. Pinza de chimenea
14. Adaptador plástico para el conducto de 150 mm.
15. Adaptador plástico para el conducto de 150/120

La información necesaria para elegir un lugar adecuado para la instalación de la campana se da a continuación.

5 Instalación del aparato

5.3 Montaje en la pared

- La pared debe ser plana, recta y tener una capacidad de carga suficiente.
- La profundidad de los agujeros de perforación deben coincidir con la longitud de los pernos.
- Los tornillos y tacos proporcionados son adecuados para paredes de ladrillo. Para otros materiales de construcción (por ejemplo, paneles de yeso, placas, hormigón poroso), se deben utilizar apropiadas clavijas y tuercas de fijación.



(Figura 7)

PRECAUCIÓN: Antes de perforar, asegúrese de que no existan tuberías de alimentación, gas o agua cerca de las locaciones de perforación.

Dibuje una línea perpendicular desde techo hasta al borde inferior de la campana de cocina .

Pegue la plantilla de instalación suministrada con los accesorios en la superficie donde se va a montar la campana. Al realizar esta operación, respete la altura de montaje de la campana (Figura 6).

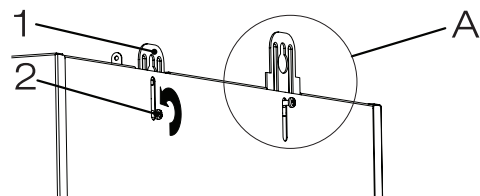
En el medio de la placa de conexión de chimenea existe una pestaña. El punto medio de la pestaña se coloca en la línea perpendicular dibujada en la pared. Al realizar esta operación, ajuste la campana de acuerdo con la altura máxima (Figura 1).

Marque los agujeros en los que se montará la placa de conexión del conducto con la ayuda de un bolígrafo (Figura 7/a).

Taladre los puntos marcados con un taladro de $\text{Ø}6\text{mm}$ e inserte 2 tacos de plástico en los agujeros taladrados (ilustración 7/a). Fije la placa de conexión del conducto a la pared con 3.9x22 tornillos (Figura 7/a).

Para ensamblar el cuerpo de la campana, puede usar la broca de $\text{Ø}8\text{mm}$ para taladrar los puntos A, B, C, D en la plantilla de montaje, e insertar tacos de plástico de 4,8x50mm en estos puntos. (Figura 7/b).

Tornillo de suspensión de 2 piezas 4.8x50 con un espacio de 5 mm entre la cabeza del tornillo y la pared (Figura 7/b).



(Figura 8)

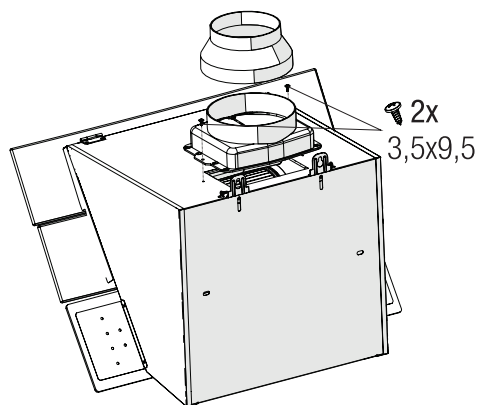
1. Placa colgante

2. Tornillo de conexión de la placa colgante

Para instalar la campana en la pared, afloje los tornillos de las placas de suspensión montadas en el alojamiento del motor y tire de ellas hacia arriba, y luego vuelva a fijarlas (Figura 8/A).

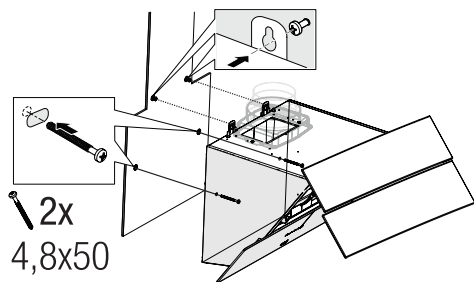
Abra el cristal de aspiración de la campana y retire el filtro de grasa de aluminio (Figura 4).

5 Instalación del aparato



(Figura 9)

Fije el adaptador plástico para conductos de 150 mm incluido en el paquete al cuerpo del producto con tornillos de punta roma de 3,5x9,5. Si la salida de aire debe conectarse al conducto de descarga de aire de menos de 150 mm, instale el adaptador plástico de conducto de 150 / 120 mm (Figura 9).

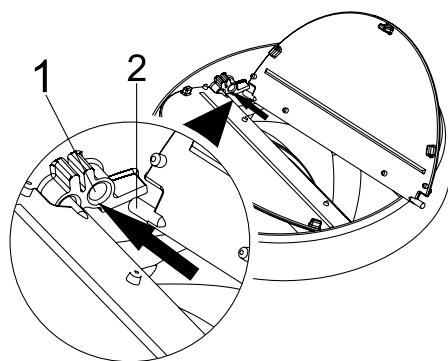


(Figura 10)

Sostenga la campana extractora por su cuerpo y colóquela sobre los tornillos de montaje en la pared y apriete los tornillos (Figura 10).

Asegure la campana extractora con dos tornillos de 4,8x50 a la pared a través del orificio de montaje en el interior del aparato (Figura 10).

5.4 Conexión al conducto



(Figura 11)

1. Conector de clavija

2. Clavija

Inserte la clavija de plástico (Figura 11/área nº 2) en el conector de clavija del extractor del motor (Figura 11/área nº 1). A continuación, doble el alojamiento de la clavija ligeramente e inserte la otra clavija en el mismo y, finalmente, inserte la clavija restante en el conector (Figura 11).

Si va a utilizar el adaptador de plástico para conductos de humos de 120/150 mm de diámetro, conecte un extremo del tubo a este adaptador, si no lo va a utilizar, a la salida directa del producto. Conecte el otro extremo del tubo al conducto de humos. Compruebe que estas dos conexiones están lo suficientemente firmes para que no se aflojen cuando el aparato funcione a plena potencia. Asegúrese de que las tapas dentro del conducto funcionan cuando se aprietan con la abrazadera. Conecte la conexión del conducto fuera del adaptador (Figura 12/a). Si el conducto de conexión está colocado en el interior del adaptador, no se producirá la succión de aire ya que la tapa de salida de humos que impide el retorno del aire permanecerá cerrada (Figura 12/b). La longitud de la conexión de la tubería, así como el número de codos deben ser de lo mínimo posible.

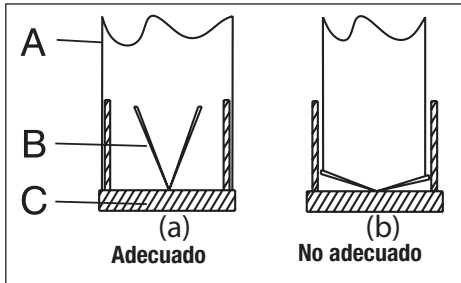
5 Instalación del aparato

A : Tubo de salida de humos

B : Abrazaderas para el conducto

C: Conducto plástico

Las válvulas están cerradas y el aparato no funciona, lo que evita que el posible olor exterior y el polvo entren en el interior.

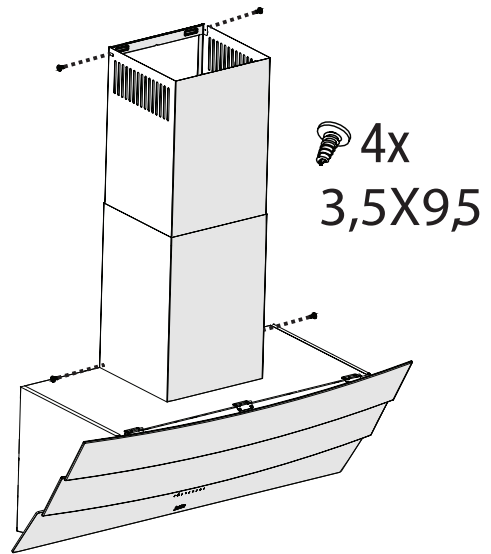


(Figura 12)

5.5 Instalación de la campana en el conducto

Lleve a cabo la conexión eléctrica de la campana antes de empezar con la instalación del conducto de humos. Deslice las placas del conducto alrededor del cuerpo. Atornille el conducto a las placas de sujeción del conducto que hay en el alojamiento del motor. (Figura 13).

Instale el conducto en la placa de sujeción del conducto que está fijada a la pared por sus bordes exteriores superiores (Figura 13).



(Figura 13)

5.6 Almacenamiento

- Si no va a utilizar el aparato durante un periodo prolongado de tiempo, guárdelo cuidadosamente.
- Asegúrese de que el aparato esté desenchufado, frío y totalmente seco.
- Guarde el aparato en un lugar fresco y seco.
- Mantenga el aparato fuera del alcance de los niños.

5.7 Manipulación y transporte

- Durante la manipulación y el transporte, transporte el aparato en su embalaje original. El embalaje del aparato lo protege contra daños físicos.
- No coloque cargas pesadas sobre el aparato o el embalaje. El aparato puede resultar dañado.
- Si deja caer el aparato, dejará de funcionar o provocará daños permanentes.

6 Solución de problemas

Solución de problemas	Causa principal	Ayuda
El aparato no funciona.	Revise los fusibles.	El fusible puede estar fundido, revíselo y cámbielo, si es necesario.
El aparato no funciona.	Revise la conexión eléctrica.	El voltaje de la red debe ser entre 220 y 240 V.
El aparato no funciona.	Revise la conexión eléctrica.	Compruebe si funcionan otros aparatos en la cocina.
La bombilla de iluminación no funciona.	Revise la conexión eléctrica.	El voltaje de la red debe ser entre 220 y 240 V.
La bombilla de iluminación no funciona.	Revise el interruptor de la bombilla.	El interruptor de la bombilla debe estar en posición "on" (encendido).
La bombilla de iluminación no funciona.	Revise las bombillas.	Las bombillas del aparato se iluminarán.
La entrada de aire del aparato no es adecuada.	Revise el filtro.	En condiciones normales de funcionamiento, el filtro de grasa se limpiará al menos una vez al mes.
La entrada de aire del aparato no es adecuada.	Revise el conducto de descarga de aire.	El conducto de descarga de aire debe estar en posición "on".
La entrada de aire del aparato no es adecuada.	Revise el filtro de carbón.	Los filtros de carbón serán reemplazados una vez cada 3 meses en condiciones normales.



**Contacto para asistencia técnica:
902 877 665 / 932 992 581**

CONDICIONES DE GARANTIA - ESPAÑA

El presente certificado cubre la garantía de reparación de su electrodoméstico durante dos años, a partir de la fecha de venta, contra todo defecto de funcionamiento proveniente de fabricación o materiales; o de sustitución del aparato, salvo que una de estas opciones resulte imposible o desproporcionada respecto de la otra. Cuando usted detecte un defecto o anomalía en el aparato contacte de forma inmediata con nosotros, un plazo de dos meses es el límite para informarnos de la falta de conformidad. El cargo de desplazamiento está incluido en la reparación, excepto para pequeños electrodomésticos que pueden ser transportados al taller del servicio oficial de la marca. En caso de sustitución, el plazo de garantía se suspende y el nuevo aparato mantendrá el periodo de vigencia del aparato sustituido, y como mínimo 6 meses de garantía.

La presente garantía sólo será válida si se presenta factura, ticket de compra o el albarán de entrega del producto correspondiente si éste fuera posterior a la fecha de factura. La presente garantía es válida en el territorio español y portugués para los aparatos distribuidos por Beko Electronics España S.L.. La garantía sólo tendrá validez sobre el primer comprador o adquirente del producto. La garantía será válida para aparatos adecuados a las condiciones climáticas y medioambientales en que estén ubicados.

EXCLUSIONES DE LA GARANTIA

El coste de la reparación será a cargo del usuario en los siguientes casos:

- Los aparatos utilizados para uso profesional o no exclusivamente doméstico, en establecimientos públicos, industriales o comerciales.
- Los aparatos desmontados o manipulados por personas ajenas a los servicios técnicos expresamente autorizados.
- Las instalaciones, transporte, sustitución de aparatos, puestas en marcha, cambio de sentido de puertas.
- Intervenciones de mantenimiento o de información sobre el uso de los aparatos.
- Cambio de inyectores en aparatos de gas.
- Las averías provocadas por falta de mantenimiento o limpieza o aquellas provocadas por un uso indebido, sobrecarga, abandono o de manera no conforme a las instrucciones de uso o de instalación de los aparatos.
- Las averías producidas por causas fortuitas, siniestros de fuerza mayor o derivados de instalación incorrecta y en general, averías por causas ajenas al propio aparato.
- Las averías provocadas por conexiones que puedan presentar fluctuaciones, irregularidades o falta de uniformidad en el suministro, por ejemplo: suministro de agua impulsado por grupos de presión, energía solar, energía eólica, generadores eléctricos, u otro tipo de suministro no normalizado.
- La sustitución de materiales rotos o deteriorados por desgaste o uso no normal del aparato, o materiales consumibles tales como: juntas, plásticos, gomas, correas, cristales, escobillas, bombillas, asas, tiradores, tapas de quemadores, filtros, rejillas, ánodos de sacrificio (magnesio o similares) de calentadores o calderas, etc.
- Los aparatos que presenten oxidación, o daños por corrosión en esmaltes o pinturas, que puedan ser provocados por efectos químicos o electroquímicos del agua o cualquier otra sustancia, o aceleradas por circunstancias ambientales o climáticas no propicias.
- Defectos estéticos en serigrafía o pintura.
- Los daños de transporte o manipulación, golpes, etc.
- Los aparatos deben instalarse de forma accesible para su reparación, debiendo asumir el usuario los costes necesarios para el acceso al aparato para su reparación y sustitución.

La presente garantía no afecta a los derechos de que dispone el consumidor conforme a lo previsto en el Real Decreto 1/2007, de 16 de noviembre, por el que se aprueba el texto refundido de la Ley General para la Defensa de los Consumidores y Usuarios y otras leyes complementarias, y la Ley 3/2014 que la modifica.

El Servicio Oficial de Asistencia Técnica resolverá cualquier incidencia que pudiera precisar su electrodoméstico siempre que el aparato esté instalado de forma accesible.

Para asegurarse que su electrodoméstico va a ser intervenido por un técnico oficial autorizado, rogamos solicite el carnet avalado por ANFEL (Asociación Nacional de Fabricantes de Electrodomésticos) a nuestros técnicos.

Las marcas BEKO, ALTUS, BLOMBERG, y GRUNDIG se distribuyen por Beko Electronics España S.L.

DATOS APARATO (a rellenar por el Distribuidor):

Titular:		Sello Establecimiento:
Modelo:	Núm. serie:	
Establecimiento:	Fecha de compra:	

El garante e importador de su electrodoméstico es: BEKO ELECTRONICS ESPAÑA S.L. Calle Provenza nº 388 3º Barcelona 08025, España. El producto ha sido fabricado por ARÇELIK A.S (Arçelik A.S.Sütluce Karaağaç Cad. No:2-6 34445 Beyoglu, Istanbul, Turkey) o Arctic S.A. (210, 13 Decembrie St., 135200, Gaesti, Dambovită, Romania

Conózanlos mejor en nuestra página: www.beko.com Conserve este documento, es importante para usted.

Prvo pročitajte ovaj korisnički priručnik!

Poštovani cijenjeni kupci,

Zahvaljujemo vam što ste odabrali ovaj proizvod kompanije Beko. Nadamo se da ćete na najbolji mogući način iskoristiti svoj uređaj koji je napravljen s visokim kvalitetom i vrhunskom tehnologijom. Iz tog razloga, pročitajte ovaj kompletan korisnički priručnik i sve druge prateće dokumente pažljivo prije korišćenja proizvoda i sačuvajte ih za buduću upotrebu. Ako ovaj uređaj predate trećem licu, priložite i ovaj korisnički priručnik. Pratite upute obraćajući pažnju na sve informacije i upozorenja navedena u korisničkom priručniku.

Imajte na umu da je ovaj korisnički priručnik primjenljiv i za druge modele. Razlike između modela izričito su opisane u priručniku.

Značenje simbola

Sljedeći simboli se koriste u raznim odjeljcima ovog korisničkog priručnika:



Važne informacije i korisni savjeti u vezi s upotrebom.



UPOZORENJE: Upozorenja na opasne situacije koje se odnose na sigurnost života i imovine.



UPOZORENJE: Upozorenje na opasnost od požara.



UPOZORENJE: Upozorenje na strujni udar.

1 Važne upute u vezi sa sigurnošću i zaštitom životne sredine

1.1 Opšta sigurnost

Važne upute u vezi sa sigurnošću pažljivo pročitajte i i sačuvajte ih za buduću upotrebu. Ovaj odjeljak sadrži upute u vezi sa sigurnošću koje će vam pomoći u zaštiti od opasnosti od požara, strujnog udara, izloženosti curenju mikro-talasne energije, ličnih povreda ili oštećenja imovine. Nepoštovanje ovih uputa poništava odobrenu garanciju.

- Beko proizvodi su u skladu s važećim sigurnosnim standardima; prema tome, u slučaju bilo kakvih oštećenja na uređaju ili kابلu za napajanje, iste treba da popravi ili zamijeni prodavač, servisni centar ili stručno lice i ovlašćeni servis kako bi se izbjegla bilo kakva opasnost. Neispravni ili nekvalifikovani radovi na popravci mogu biti opasni i mogu dovesti do opasnosti po korisnika.
- Ovaj uređaj je namijenjen za upotrebu u domaćinstvima i sličnim objektima kao što su:
 - prostori kuhinje za zaposlenike u trgovinama, uredima i drugim radnim okruženjima;
 - kuće na farmama,
 - seoske kuće i za goste u hotelima, motelima i drugim objektima za smještaj;
 - objekti koji nude prenoćište i doručak,
- Upravlajte uređajem prema predviđenoj namjeni samo kako je opisano u ovom priručniku.
- Proizvođač ne može biti odgovoran za štetu nastalu nepropisnom ugradnjom ili zloupotrebom proizvoda.
- Ovaj uređaj mogu koristiti djeca od 8 godina i starija, i osobe sa ograničenim fizičkim, čulnim ili mentalnim sposobnostima, osobe koje nemaju dovoljno znanja ili iskustva ako su pod nadzorom ili su im date upute koje se tiču upotrebe uređaja na siguran način i opasnosti koje uređaj uključuje.
- Djeca se ne smiju igrati s uređajem. Čišćenje i održavanje od strane korisnika ne smiju obav-

1 Važne upute u vezi sa sigurnošću i zaštitom životne sredine

ljati djeca ukoliko nisu pod nadzorom.

- Minimalna udaljenost između noseće površine posuda za kuvanje na ploči za kuvanje i najnižeg dijela vašeg proizvoda mora biti najmanje 65 cm.
- Ako je uputama za ugradnju plinske ploče definisana veća udaljenost, to se mora uzeti u obzir.
- Vaše mrežno napajanje strujom mora biti u skladu sa informacijama na pločici na uređaju.
- Nikada ne koristite uređaj ako je kabl za napajanje ili sam uređaj oštećen.
- Spriječite oštećenje kabla za napajanje tako što ga nećete stiskati, savijati ili trljati po ostrim ivicama. Držite kabl za napajanje dalje od vrućih površina i izvora plamena.
- Uređaj koristite samo sa uzemljenom utičnicom.

UPOZORENJE: Ne priključujte uređaj na napajanje prije potpune ugradnje uređaja.

- Postavite uređaj na način da utikač bude uvijek dostupan.
- Ne dirajte lampe ako su dugo radile. Mogu vam stvoriti opekotine na rukama jer će biti zagrijane.
- Pridržavajte se propisa koji su utvrdili nadležni organi o ispuštu izduvnog vazduha (ovo upozorenje nije primjenljivo na uporabu bez dimnih gasova).
- Uključite uređaj nakon što stavite lonac, tavu itd. na ploču za kuvanje. U suprotnom, velika toplota može prouzrokovati deformacije u nekim djelovima vašeg proizvoda.
- Isključite ploču prije nego što sa nje sklonite lonac, tavu itd.
- Ne ostavljajte vruće ulje na ploči za kuvanje. Posude sa vrućim uljem mogu izazvati samo-sagorijevanje.
- Obratite pažnju na zavjese i prekrivače, jer se ulje može zapaliti dok spremate hranu kao što je pomfrit.
- Filter za masnoće treba zamijeniti najmanje jednom mjesečno.

1 Važne upute u vezi sa sigurnošću i zaštitom životne sredine

Karbonski filter se mora zamijeniti najmanje jednom u svaka 3 mjeseca.

- Proizvod se čisti u skladu sa korisničkim priručnikom. Ako čišćenje nije izvršeno u skladu s korisničkim priručnikom, može doći do opasnosti od požara.
- Ne koristite materijale za filtriranje koji nisu otporni na vatru umjesto trenutnog filtera.
- Koristite samo originalne djelove ili djelove koje je preporučio proizvođač.
- Ne koristite proizvod bez filtera i ne uklanjajte filtere dok je proizvod u funkciji.
- U slučaju pojave plamena, isključite vaš proizvod i uređaje za kuvanje sa napajanja električnom energijom.
- U slučaju pojave plamena, prekriti plamen i nikada ne koristite vodu za gašenje.
- Isključite uređaj sa napajanja prije svakog čišćenja i kada uređaj ne koristite.
- Negativni pritisak u okolini ne bi trebalo da pređe 4 Pa (4 x 10

bara) dok istovremeno rade aspirator za električnu ploču i uređaji koji rade na drugoj vrsti energije osim struje.

- U okruženju u kojem se koristi uređaj, ispustni otvor uređaja koji rade na lož-gorivo ili plin, kao što su sobni grijači, mora biti apsolutno izolovan ili uređaj treba da bude hermetičnog tipa.
- Pri povezivanju odvodne cijevi koristite cijevi prečnika 120 ili 150 mm. Priključak cijevi mora biti što kraći i imati što je moguće manje prelamanja.

Opasnost od gušenja! Sve materijale za pakiranje držite dalje od djece.

OPREZ: Pristupačni djelovi se mogu zagrijati kada se koriste sa uređajima za kuvanje.

- Izlazni otvor proizvoda ne smije biti povezan sa vazдушnim kanalima koji sprovode drugu vrstu dima.
- Ventilacija u prostoriji može biti nedovoljna kada se aspirator za električnu ploču koristi istovremeno sa uređajima koji rade na

1 Važne upute u vezi sa sigurnošću i zaštitom životne sredine

plin ili druga goriva (ovo možda nije primjenljivo na uređaje koji samo dovode vazduh u prostoriju).

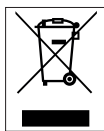
- Predmeti stavljeni na proizvod mogu pasti. Ne stavljajte nikakve predmete na proizvod.
- Ne flambirajte hranu ispod proizvoda.

UPOZORENJE: Prije ugradnje aspiratora uklonite zaštitne folije.

- Nikada ne ostavljajte visoko otvoren plamen ispod aspiratora dok je isti u funkciji.
- Friteze sa dubokim uljem moraju se neprestano nadgledati tokom upotrebe: pregrijano ulje može da plane.

1.2 Usklađenost s direktivom WEEE i Odlaganjem otpadnog proizvoda:

Ovaj proizvod je usklađen s Direktivom EU WEEE (2012/19/EU). Ovaj proizvod nosi simbol klasifikacije za odlaganje električne i elektronske opreme (WEEE).



Ovaj simbol označava da ovaj proizvod ne treba odlagati sa ostalim otpadom iz domaćinstva na kraju vijeka upotrebe. Korišćeni uređaj mora se vratiti u službeno zbirno mjesto za recikliranje električnih i elektronskih uređaja. Da biste

pronašli ove sisteme za prikupljanje, obratite se

lokalnim nadležnim organima ili prodavcu kod kojeg je proizvod kupljen. Svako domaćinstvo ima važnu ulogu u obnovi i recikliranju starih uređaja. Odgovarajuće odlaganje korišćenog aparata pomaže u sprječavanju potencijalnih negativnih posljedica po životnu sredinu i zdravlje ljudi.

1.3 Usklađenost sa RoHS direktivom:

Proizvod koji ste kupili je usklađen s Direktivom EU RoHS (2011/65/EU). On ne sadrži štetne i zabranjene materijale navedene u Direktivi.

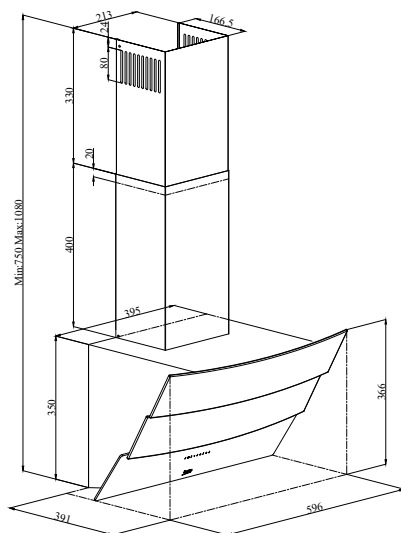
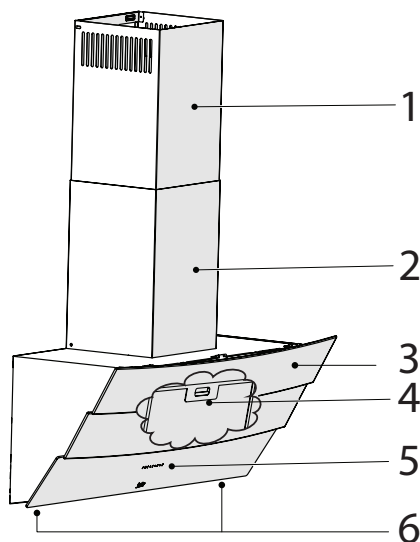
1.4 Informacija o ambalaži



Ambalaža proizvoda je proizvedena od sekundarnih sirovina u skladu s našim nacionalnim propisima za zaštitu okoliša. Ne bacajte ambalažu zajedno s otpadom iz domaćinstva ili drugim otpadom. Onesite je do sabirnih centara za ambalažu koje su odredili lokalni nadležni organi.

2 Opšti izgled

2.1 Prikaz



(Slika 1)

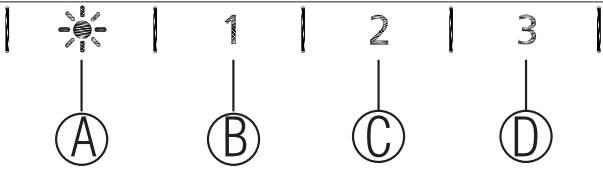
1. Unutarnji dimnjak
2. Vanjski dimnjak
3. Tijelo
4. Filter za masnoću (Stražnji takleni poklopac)
5. Upravljačka ploča
6. Osvjetljenje

2.2 Tehnički podaci

Model	HCA62640B	HCA62640W
Napon napajanja	220-240V ~ 50 Hz	
Snaga lampice	2x3 W	
Snaga motora	210 W	
Brzina protoka – 3. Nivo	582 m ³ /h	
Klasa izolacije motora	Klasa F	
Klasa izolacije	Klasa I	

3 Rukovanje uređajem

3.1 Kontrola uređaja

	
TIPKA	FUNKCIJA
A : Uključeno/Isključeno svjetlo	Možete osvijetliti površinu za kuvanje pritiskom na ovo dugme. Ponovo pritisnite dugme da biste isključili lampicu.
B : 1. Dugme za stepen	Upravlja uređajem u 1. brzini. Kad ponovno pritisnete ovo dugme za isključivanje uređaja, isključuje se stepen brzine na ekranu.
C : 2. Dugme za stepen	Upravlja uređajem u 2. brzini. Kad ponovno pritisnete ovo dugme za isključivanje uređaja, isključuje se stepen brzine na ekranu.
D : 3. Dugme za stepen	Upravlja uređajem u 3. brzini. Kad ponovno pritisnete ovo dugme za isključivanje uređaja, isključuje se stepen brzine na ekranu.

3.2 Energetski efikasan rad sa uštedom energije

- Kad koristite uređaj prilagodite brzinu intenzitetu pare i mirisa da biste uštedjeli energiju.
- Koristite niske brzine (1-2) u normalnim uvjetima, a velike brzine (3) za intenzivan miris i isparavanje.
- Lampice na napi su postavljene za osvijetljavanje područja kuhanja.
- Njihova upotreba za osvijetljenje okoliša uzrokovat će nepotrebne troškove energije i nedovoljno osvijetljenje.
- Da bi vaš uređaj trošio manje energije, pokrenite ga pri maloj brzini.
- Vaš uređaj će smanjiti potrošnju energije jer će raditi efikasnije kada mu obezbedite dovoljan usis zraka.
- Podesite uređaj na nivo intenzivne usisne snage pre stvaranja pare, u slučajevima kada znate da će doći do guste pare. Dakle, smanjujete potrošnju energije tako što ćete svoj uređaj koristiti kraće vrijeme jer će imati dovoljan usis zraka.
- Držite poklopce posuda zatvorenim kako biste smanjili stvaranje pare.

3.3 Rad nape

- Vaš uređaj ima motor s različitim brzinama.
- Za bolje performanse preporučujemo upotrebu niskih brzina u normalnim uvjetima i velike brzine u slučaju jakih mirisa i intenzivne pare.
- Uređaj možete pokrenuti pritiskom na dugme za podešavanje željene brzine. (B,C,D)
- Područje za kuhanje možete osvijetliti pritiskom na lampicu. (A)

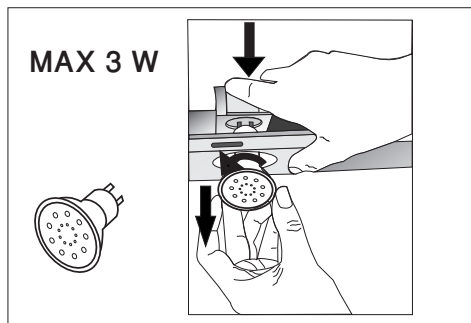
3 Rukovanje uređajem

3.4 Automatsko zaustavljanje

Vaš uređaj ima funkciju automatskog zaustavljanja, što mu omogućava da se ventilira još malo i ukloni neželjene mirise i paru iz okoline i automatski se isključi nakon završetka kuhanja. Da biste omogućili funkciju automatskog zaustavljanja, pritisnite dugme za bilo koji stepen brzine (B, C, D) na upravljačkoj ploči duže od 2 sekunde; aktivira se značajka 15-minutnog mjerača vremena. Kada je aktivna funkcija automatskog zaustavljanja, pritiskom na dugme za istu brzinu onemogućit će se funkcija automatskog zaustavljanja i motor uređaja će se zaustaviti. Ova se značajka onemogućava kad prebacate između različitih stupnjeva brzine.


Ako želite da se uređaj automatski zaustavi, morate ponovno omogućiti značajku automatskog zaustavljanja.

3.5 Zamjena lampice

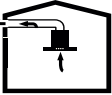


(Slika 3)

Priključite uređaj na električnu mrežu. Vaš uređaj koristi direktne LED lampice od 3W. Za zamjenu lampica gurnite držač sa stražnje strane odozdo prema dolje, okrenite ga u smjeru suprotnom od kazaljke na satu i izvadite ga prema dolje. Primijenite navedenu operaciju obrnutim postupkom da biste ugradili nove lampice (Slika 3).

Sijalica	
Snaga sijalice	3 W
Držač/utičnica	GZ 10
Napon sijalice	220 - 240 V
Veličina	53x50 mm
ILCOS kod	DR/F3-220-240-GZ10-50-53
Svjetlosni tok	260 lm
Odgovarajuća temperatura boje	3000 K

Ovaj proizvod sadrži izvor svjetla klase energetske efikasnosti "F".3.6 Rad s priključkom na dimnjak

-  Para se odvodi kroz kanal dimnjaka, koji je pričvršćen na priključnu glavu na napi.
- Promjer kanala dimnjaka mora biti isti kao i priključni prsten. U horizontalnim postavkama cijev mora imati blagi nagib prema gore (oko 10°) da bi zrak mogao lako izaći iz prostorije.

3.7 Rad bez priključka na dimnjak

-  Zrak se filtrira kroz karbonski filter i recirkulira unutar prostorije. Karbonski filter koristi se kada nije moguće koristiti dimnjak u kući.
- U slučaju upotrebe bez dimnjaka, uklonite klapne iz adaptera za dimnjak.
- Uklonite Filter za masnoću. Da biste ugradili karbonski filter, filter namjestite na jezičke tako što ćete ga centrirati na plastični komad s obje strane kucišta ventilatora. Zategnite ga okretanjem udesno ili ulijevo.
- Zamijenite Filter za masnoću.

4 Čišćenje i održavanje

Uređaj treba redovno čistiti i održavati. Ako uređaj ne održavate čistim, to će negativno utjecati na vijek trajanja uređaja. Za čišćenje i održavanje slijedite upute navedene u priručniku.



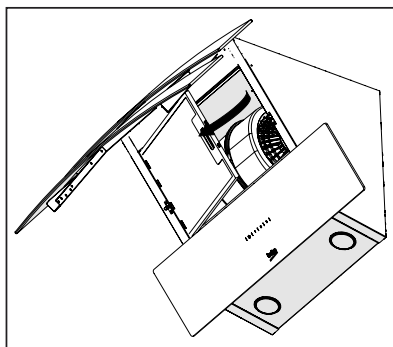
Prije čišćenja i održavanja, isključite proizvod s napajanja ili isključite prekidač.



Nepridržavanje odredbi vezanih za čišćenje uređaja i zamjenu filtera može dovesti do opasnosti od požara. Stoga se preporučuje da se pridržavate ovdje navedenih smjernica. Proizvođač nije odgovoran za oštećenja motora ili požare uzrokovane nepravilnim korištenjem.

4.1 Čišćenje filtera za masnoću

Ovaj filter sakuplja čestice masnoće u vazduhu. Filter za masnoću za masnoću mogu promijeniti boju prilikom pranja; to je normalno i ne zahtijeva zamjenu vaših aluminijskih filtera za masnoću.



(Slika 4)

- Gurnite bravu aluminijskog filtera za masnoću prema naprijed.
- Zatim je lagano povucite prema dolje i izvucite je (Slika 4). U suprotnom možete saviti filter. Operite i isperite aluminijske filtere za masnoću

tečnim deterdžentom i vratite aluminijske filtere za masnoću na njihova mjesta izvodeći gore navedene korake obrnutim redoslijedom. Ovaj filter sakuplja čestice masnoće u vazduhu.



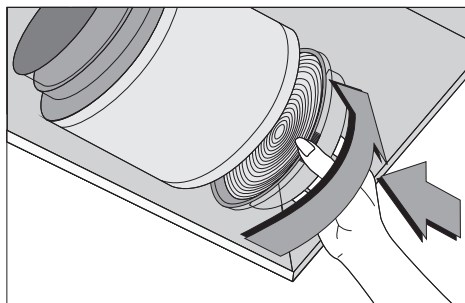
Filter za masnoću možete prati u mašini za pranje suđa.



OPREZ: U slučaju normalne upotrebe, očistite filter jednom mjesečno.

4.2 Zamjena karbonskih filtera

Filtri za uklanjanje mirisa sadrže ugljen (aktivni ugljen). U proizvodu moraju biti ugrađeni filteri za masnoću, bez obzira na to upotrebljavate li karbonske filtere.



(Slika 5)

- Uklonite Filter za masnoću (Slika 4).
- Da biste uklonili karbonski filter, izvadite ga iz njegovog kućišta tako da ćete ga okrenuti u smjeru suprotnom od kazaljke na satu (Slika 5).
- Ugradite novi karbonski filter.
- Ugradite Filter za masnoću.

OPREZ



- Karbonski filter nikada se ne pere.
- Zamijenite karbonske filtre jednom svaka 3 mjeseca.
- Karbonski filter možete nabaviti od ovlaštenih servisa.

5 Ugradnja uređaja



UPOZORENJE: Prije započinjanja ugradnje pročitajte sigurnosne informacije u korisničkom priručniku.

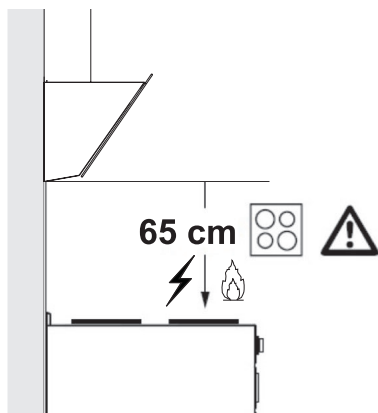


UPOZORENJE: Ako ugradnju ne izvršite s vijcima i uređajima za pričvršćivanje u skladu s ovim uputama, može doći do opasnosti od električnog udara.

Za ugradnju nape obratite se najbližem ovlaštenom servisu.

Korisnik je odgovoran da pripremi lokaciju i električnu instalaciju za napu.

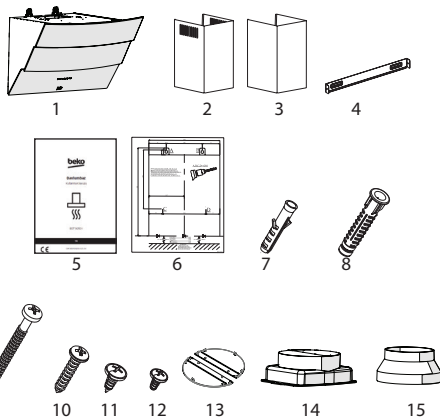
5.1 Položaj uređaja



(Slika 6)

- Prije montiranja mora se uzeti u obzir udaljenost između šporeta i nape. Ta udaljenost treba biti 65 cm (Slika 6).
- Udaljenost se mora mjeriti od površine rešetke za plinske šporete, od površine stakla za električne šporete.

5.2 Pribor za ugradnju



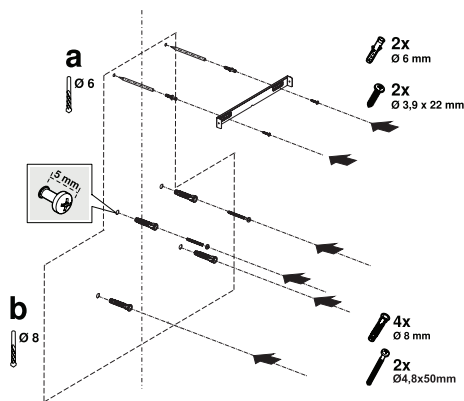
1. Proizvod
2. Unutarnji dimnjak
3. Vanjski dimnjak
4. Spojna ploča za kamin
5. Uputstvo za upotrebu
6. Obrazac montaže
7. 2x Ø6 mm plastični klin
8. 4x Ø8 mm plastični klin
9. 4x 4,8x50 vijak za zidnu montažu
10. 2x 3,9x22 vijak za ploču za priključak na dimnjak
11. 4x 3,5x9,5 vijak za priključak na dimnjak
12. 2x 3,5x9,5 vijak s tupim vrhom
13. Stezaljka za dimnjak
14. 150 mm adapter za plastični dimnjak
15. 150/120 adapter za plastični dimnjak

Informacije potrebne za pripremu lokacije prikladne za postavljanje nape date su u nastavku.

5 Ugradnja uređaja

5.3 Montaža na zid

- Zid mora biti ravan, prav i imati dovoljnu nosivost.
- Dubina rupa za bušenje mora biti u skladu s dužinom vijka.
- Isporučeni vijci i klipovi prikladni su za zidove od opeke. Za drugi građevinski materijal (npr. gipsani zid, ploča, porozni beton) koriste se odgovarajući učvršćni klipovi i matice.



(Slika 7)



OPREZ: Prije bušenja osigurajte da u neposrednoj blizini mjesta bušenja nema struje, plina ili vode.

Nacrtajte središnju liniju sa stropa okomito na donji rub nape.

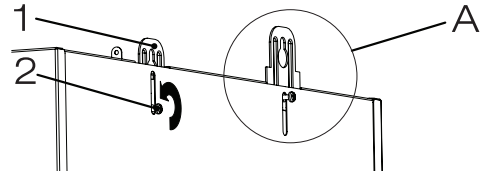
Zalijepite predložak za postavljanje koji se nalazi unutar pribora na površinu na koju treba montirati napu. Pri tom postupku, vodite računa o visini na kojoj ćete montirati napu (Slika 6).

Na sredini ploče za priključak na dimnjak nalazi se jezičak. Srednju točku tog jezička postavite na liniju koja je nacrtana okomito na zid. Pri tom postupku, podesite napu prema maksimalnoj visini (Slika 1). Pomoću olovke označite rupe na kojima će se montirati priključna ploča dimnjaka (Slika 7/a).

Izbušite označene tačke bušilicom od $\varnothing 6$ mm i umetnite dva plastična klipa od u izbušene rupe (Slika 7/a). Ugradite ploču za priključak na dimnjak na zid s vijcima 3,9x22 (Slika 7/a).

Da biste sastavili kućište haube, možete koristiti bušilicu od $\varnothing 8$ mm za bušenje tačaka A, B, C, D na predlošku za montažu, i na ove tačke umetnuti plastične klipove dimenzija 4,8x50 mm. (Slika 7/b).

Ugradite 2 komada montažnih vijaka od 4,8x50 na tačke C i D s razmakom od 5 mm između glave vijka i zida (Slika 7).



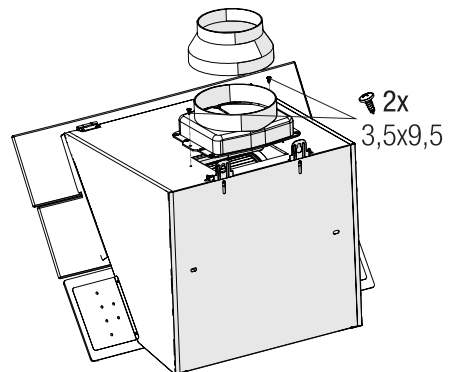
(Slika 8)

1. Viseća ploča

2. Vijak za pričvršćivanje viseće ploče

Da biste napu ugradili na zid, otpustite vijke na visećim pločama montiranim na kabini motora i povucite ih nagore, a zatim ponovo pričvrstite (Slika 8/A).

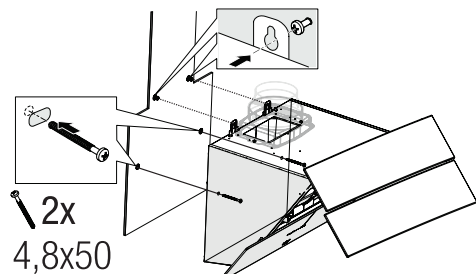
Uključite usisno staklo nape i uklonite Filter za masnoću (Slika 4).



(Slika 9)

5 Ugradnja uređaja

Spojite adapter za plastični dimnjak od 150 mm sadržan u paketu proizvoda na tijelo proizvoda koristeći 3,5x9,5 vijke s tupim vrhom. Ako se izlaz zraka treba spojiti na odvodnik zraka manji od 150 mm, ugradite adapter za plastični dimnjak od 150/120 mm (Slika 9).

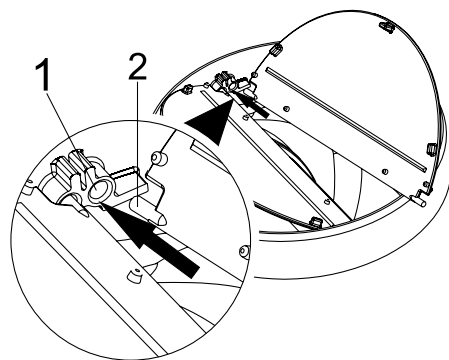


(Slika 10)

Držite napu za šporet za njegovo kućište i stavite je na montažne vijke na zidu i pritegnite vijke (Slika 10).

Pričvrstite napu za šporet s vijkom od 4,8x50 na zid kroz otvor za montažu s unutarnje strane uređaja (Slika 10).

5.4 Priključak na dimnjak



(Slika 11)

1. Fasung zaklopke
2. Zaklopka

Umetnite plastičnu iglu (Slika 11/područje br. 2) u fasung zaklopke na izduvu motora (Slika 11/područje br. 1). Zatim lagano savijte zaklopku da biste umetnuli drugu iglu na zaklopku i umetnite drugu iglu u njen fasung (Slika 11).

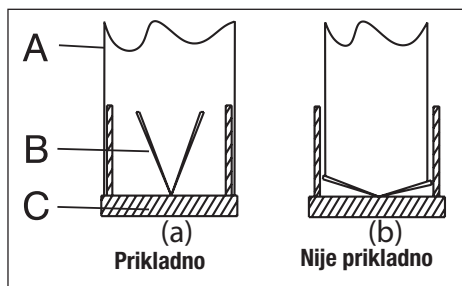
Ako namjeravate koristiti adapter za plastični dimnjak od Ø 120/150 mm, spojite jedan kraj cijevi na ovaj adapter, a ako ga nećete koristiti, onda na direktni izlaz na proizvodu. Spojite drugi kraj cijevi na dimnjak. Provjerite jesu li ova dva priključka dovoljno čvrsta da se ne raskāče kada uređaj bude radio punom snagom. Vodite računa da zaklopke unutar dimnjaka rade kada se stegnu stezaljkom. Spojite kanal priključka na dimnjak izvan adaptera (Slika 12/a). Ako je priključni kanal ugrađen unutar adaptera, usisavanje zraka se neće dogoditi jer će klapna dimnjaka koja sprečava povrat zraka ostati zatvorena (Slika 12/b). Dužina cijevnog priključka mora biti što je moguće kraća, a broj zglobova cijevi manji.

A: Izlazna cijev dimnjaka

B: Stezaljke za dimnjak

C: Plastični dimnjak

Ventili su zatvoreni kada uređaj ne radi te sprječavaju da mogući vanjski miris i prašina ulaze spolja.



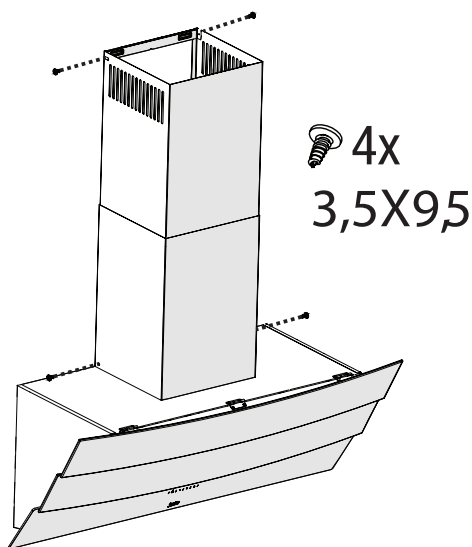
(Slika 12)

5 Ugradnja uređaja

5.5 Ugradnja nape na dimnjak

Prije nego što započnete ugradnju dimnjaka, obezbijedite električni priključak za napu. Gurnite ploče dimnjaka oko kućišta nape. Privijte dimnjak na pričvršne ploče dimnjaka dostupne na kabini motora. (Slika 13).

Ugradite dimnjak na pričvršnu ploču dimnjaka koja je pričvršćena za zid s gornjih vanjskih ivica (Slika 13).



(Slika 13)

5.6 Skladištenje

- Ako ne namjeravate koristiti aparat duže vrijeme, pažljivo ga spremite.
- Provjerite je li aparat isključen iz utičnice, ohlađen i potpuno suh.
- Aparat čuvajte na hladnom i suhom mjestu.
- Aparat čuvajte izvan dohvata djece.

5.7 Rukovanje i transport

- Tokom rukovanja i transporta, aparat nosite u originalnom pakovanju. Ambalaža aparata štiti ga od fizičkih oštećenja.
- Ne stavljajte teške terete na aparat ili ambalažu. Aparat se može oštetiti.

6 Rješavanje problema

Rješavanje problema	Izvorni razlog	Pomoć
Uređaj ne radi.	Provjerite osigurače.	Možda je osigurač pregorio, provjerite i vratite ga.
Uređaj ne radi.	Provjerite priključak na napajanje električnom energijom.	Napon mreže mora biti između 220 i 240 V.
Uređaj ne radi.	Provjerite priključak na napajanje električnom energijom.	Provjerite rade li drugi uređaji u vašoj kuhinji.
Rasvjetna lampica ne radi.	Provjerite priključak na napajanje električnom energijom.	Napon mreže mora biti između 220 i 240 V.
Rasvjetna lampica ne radi.	Provjerite prekidač za lampicu.	Prekidač za lampicu mora biti u položaju „Uključeno“.
Rasvjetna lampica ne radi.	Provjerite lampice.	Lampice uređaja moraju svijetliti.
Dovod zraka u uređaju nije dovoljan.	Provjerite filter za masnoću.	U normalnim radnim uvjetima, filter za masnoću se čisti najmanje jednom mjesečno.
Dovod zraka u uređaju nije dovoljan.	Provjerite odvodnik (dimnjak).	Prekidač za odvodnik zraka (dimnjak) trebao bi biti u položaju „Uključeno“.
Dovod zraka u uređaju nije dovoljan.	Provjerite karbonski filter.	Filtre uređaja s karbonskim filtrima treba zamijeniti jednom u 3 mjeseca u normalnim uvjetima.

Ве молиме прво прочитајте го ова упатство за употреба!

Почитуван кориснику,

Ви благодариме што избравте апарат од марката Веко. Се надеваме дека добро ќе Ви користи овој уред, кој е произведен со висок квалитет и според најнова технологија. За таа цел, Ве молиме внимателно да го прочитате ова упатство за употреба и другите приложени документи пред да го користите производот и чувајте ги во случај на потреба. Ако го дадете производот на друго лице, дајте му го и упатството за употреба. Следете ги препораките со тоа што ќе обрнете внимание на сите информации и предупредувања наведени во ова упатство.

Запамтете, ова упатство за употреба може да важи и за други модели. Разликите меѓу модели се јасно опишани во ова упатство.

Значења на симболите

Во различни делови од ова упатство се употребени следниве симболи:



Важни информации и корисни совети за употреба.



ПРЕДУПРЕДУВАЊЕ :

Предупредувања во врска со опасни ситуации поврзани со безбедноста на човекот и на имотот.



ПРЕДУПРЕДУВАЊЕ :

Предупредување за опасност од пожар.



ПРЕДУПРЕДУВАЊЕ :

Предупредување за електричен удар.



РЕЦИКЛИРАНА
РЕЦИКЛИРАЧКА
ХАРТИЈА

1 Важни упатства за безбедноста и животната средина

1.1 Општа безбедност

Важни упатства за безбедност Прочитајте внимателно и чувајте ги за идна употреба Овој дел содржи упатства за безбедност кои ќе Ви помогнат да се заштитите од ризик од пожар, електричен удар, изложеност на истекување на енергија од микробранова, лична повреда или оштетување на имот. Ако не ги следите овие упатства, гаранцијата нема да важи.

- Производите на Веко се во согласност со важечките безбедносни стандарди; затоа, во случај на какво било оштетување на апаратот или кабелот за напојување, треба да се поправи или замени од дилерот, сервисниот центар или експерт и сличен

овластен сервис, за да се избегне каква било опасност. Неправилните или неквалификувани поправки можат да бидат опасни и да предизвикаат ризик за корисникот.

- Овој уред е наменет за употреба во домаќинствата и за други слични намени како што се:
 - Поставени кујнски површини во продавници, канцеларии и други работни околии;
 - Викендички
 - Од страна на клиенти во хотели и други средини од станбен тип;
 - Средини од типот на ноќевање со појадок.
- Управувајте со апаратот за наменетата цел само како што е опишано во ова упатство.

1 Важни упатства за безбедноста и животната средина

- **П р о и з в о д и т е л о т** не може да биде одговорен за штети кои произлегуваат од неправилна инсталација или погрешна употреба на производот.
- Овој апарат можат да го користат деца над 8 години и лица со намалени физички, сензорни или ментални способности или, пак, лица без искуство и познавања само доколку имаат соодветен надзор или обука за безбедно користење на апаратот и сфаќаат кои ризици се вклучени.
- Деца не смеат да си играат со апаратот. Деца не смеат да го чистат или да го одржуваат апаратот без надзор.
- **М и н и м а л н о т о** растојание помеѓу подлогата за садовите за готвење на плочата за готвење и најнискиот дел од Вашиот производ мора да биде најмалку 65 см.
- Ако упатствата за инсталација на плочата за готвење на гас определуваат поголемо растојание, тоа треба да се земе предвид.
- Осигурајте се дека снабдувањето со електрична енергија е во согласност со информациите дадени на табличката за идентификација на апаратот.
- Никогаш не користете го апаратот ако кабелот за напојување или самиот уред е оштетен.
- Внимавајте кабелот да не се притиска, свиткува или трие од остри рабови за да не се оштети. Чувајте го кабелот за напојување подалеку од жешки површини и пламен на отворено.

1 Важни упатства за безбедноста и животната средина

- Користете го уредот само со заземјен приклучок.

ПРЕДУПРЕДУВАЊЕ: Не го поврзувајте апаратот со електричната мрежа додека инсталацијата не е целосно завршена.

- Поставете го апаратот така што електричниот приклучок секогаш да биде достапен.
- Не допирајте ги светилките ако работеле долго време. Може да Ви ги изгорат рацете бидејќи ќе бидат жешки.
- Следете ги прописите утврдени од надлежните органи за испуштање на издувниот воздух (ова предупредување не важи за употреба без оџак).
- Ракувајте со апаратот откако ќе ставите тенџере, тава и слично на плочата за готвење. Во спротивно, висока топлина

може да предизвика деформација на некои делови од Вашиот производ.

- Исклучете ја плочата за готвење пред да го тргнете тенџерето, тавата или слично.
- Не оставајте врело масло на плочата за готвење. Тави со врело масло може да предизвикаат самозапалување.
- Обрнете внимание на Вашите завеси и прекривки бидејќи маслото може да се запали додека готвите храна, како помфрит.
- Филтерот за маснотии мора да се менува најмалку еднаш месечно. Јаглеродниот филтер мора да се менува најмалку еднаш во 3 месеци.
- Производот треба да се чисти според упатството за употреба. Ако

1 Важни упатства за безбедноста и животната средина

чистењето не се врши според упатството за употреба, може да има ризик за пожар.

- Не користете материјали за филтрирање што не се огноотпорни, наместо актуелниот филтер.
- Користете ги само оригиналните делови или делови препорачани од производителот.
- Не управувајте со производот без филтерот и не ги отстранувајте филтерите додека производот работи.
- Во случај на започнат пламен, испразнете ги од електрична струја Вашиот производ и апаратите за готвење.
- Во случај на започнат пламен, покријте го пламенот и никогаш да не користите вода за да го изгасите.
- Исклучете го апаратот од струја пред секое

чистење и кога апаратот не се користи.

- Негативниот притисок во околината не треба да надминува 4 Pa (4 x 10 bar) додека аспираторот за електричната плоча за готвење и апаратите што работат на друг вид енергија, но електричната енергија работи истовремено.
- Во околината каде што се користи апаратот, издувниот отвор на апарати што работат на нафта или плин, како што е собниот греач, мора да биде целосно изолирана или уредот мора да е херметички.
- При поврзување на оџакот, користете цевки со дијаметар од 120 или 150 мм. Поврзувањето со цевки мора да биде што е можно пократко и да има што е можно помалку лакти.

1 Важни упатства за безбедноста и животната средина

Опасност од задушвање! Сите материјали од пакувањето чувајте ги подалеку од деца.

ВНИМАНИЕ: Достапните делови може да станат жешки кога се користат со апарати за готвење.

- Одводот на производот не смее да биде поврзан со воздушни одводи што вклучуваат друг чад.

- Вентилацијата во просторијата може да не е доволна кога аспираторот за електричната плоча за готвење се користи истовремено со уредите што работат на гас или други горива (ова може да не важи за апарати што само го испуштаат воздухот назад во просторијата).

- Предметите поставени на производот може да паднат. Не ставајте предмети на производот.

- Не фламбирајте под Вашиот производ.

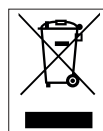
ПРЕДУПРЕДУВАЊЕ: Пред да го инсталирате аспираторот, извадете ги заштитните обвивки.

- Никогаш не оставајте големи пламени на отворено под аспираторот кога работи.

- Длабоките тави со масло мора постојано да се набљудуваат додека се употребуваат: прегреаното масло може да се запали.

1.2 Во согласност со директивата за отпадна електрична и електронска опрема (WEEE) и фрлање на дотраениот производ:

Овој производ се придржува кон директивата за отпадна електрична и електронска опрема на Европската Унија (2012/19/EU). Овој производ има симбол за класификација за отпадна електрична и електронска опрема (WEEE).



Овој симбол означува дека овој производ не се отстранува заедно со други отпадоци од домаќинството на крајот на својот животен

1 Важни упатства за безбедноста и животната средина

век. Користениот уред мора да се врати на официјалниот пункт за собирање за рециклирање на електрични и електронски уреди. За да ги пронајдете овие системи за собирање, ве молиме контактирајте ги локалните власти или трговците на мало каде е купен производот. Секое домаќинство игра важна улога

во обновувањето и рециклирањето на стар апарат. Соодветното отстранување на користениот апарат помага во спречување на можни негативни последици по животната средина и здравјето на луѓето.

1.3 Во согласност со Директивата за ограничување на опасните супстанции (RoHS)

Овој производ се придржува кон Директивата за ограничување на опасните супстанции (RoHS) на Европската Унија (2011/65/EU). Не содржи штетни и забранети материјали наведени во Директивата.

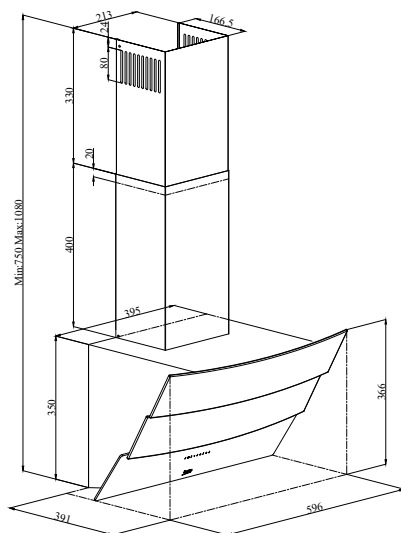
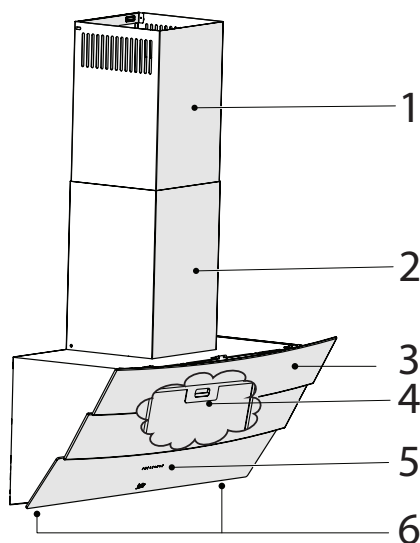
1.4 Информации за пакувањето



Материјалите од пакувањето на производот се произведени од материјали за рециклирање во согласност со нашите Државни регулативи за животна средина. Не ги фрлајте материјалите за пакување заедно со куќниот или друг отпад. Однесете ги на пунктовете за собирање материјали за пакување, определени од локалните власти.

2 Општ изглед

2.1 Општ преглед



(Слика 1)

1. Внатрешен димен канал
2. Надворешен димен канал
3. Куќиште
4. Алуминиумски филтер за маснотии (Позади стаклениот поклопец)
5. Контролна табла
6. Осветлување

2.2 Технички податоци

Модел	HCA62640B	HCA62640W
Напон на електричната мрежа	220-240V ~ 50 Hz	
Моќност на сијаличката	2x3 W	
Моќност на моторот	210 W	
Проток на воздух – 3. Ниво	582 m ³ /h	
Класа на изолација на моторот	Класа F	
Класа на изолација	Класа I	

3 Како да се работи со апаратот

3.1 Контрола на апаратот

	
КЛУЧ	ФУНКЦИЈА
A : Вклучено / Исклучено светло	Може да го осветлите просторот за готвење со притискање на ова копче. Повторно притиснете го копчето за да ја вклучите сијаличката.
B : 1. Копче за брзина	Апаратот работи со 1-ва брзина. Кога повторно ќе го притиснете ова копче за да го исклучите апаратот, екранот со копчето за брзина се исклучува.
C : 2. Копче за брзина	Апаратот работи со 2-ра брзина. Кога повторно ќе го притиснете ова копче за да го исклучите апаратот, екранот со копчето за брзина се исклучува.
D : 3. Копче за брзина	Апаратот работи со 3-та брзина. Кога повторно ќе го притиснете ова копче за да го исклучите апаратот, екранот со копчето за брзина се исклучува.

3.2 Економично користење на уредот за заштеда на електрична енергија

- Кога го користите уредот, подесете ги поставките за брзина според интензитетот на пареата и миризбата за да заштедите енергија.
- Користете ниски брзини (1- 2) во нормални околности, а висока брзина (3) при интензивна миризба и пареа.
- Сијаличките на аспираторот служат за осветлување на просторот за готвење.
- Ако се користат за осветлување на целата просторија, ќе се троши струја без потреба, а просторијата нема да биде доволно осветлена.
- За Вашиот уред да троши помалку енергија, вклучете го на мала брзина.
- Уредот ќе ја намали потрошувачката на енергија бидејќи ќе работи поефикасно кога ќе му обезбедите доволен внес на воздух.
- Во случаи кога знаете дека ќе се појави густа пареа, поставете го уредот на ниво на интензивна моќност на вшмукување пред да се формира пареа. Така ја намалувате потрошувачката на енергија користејќи го уредот пократко време бидејќи ќе има доволен внес на воздух.
- Држете ги капаците на садовите затворени за да намалите излегување на пареата.

3 Како да се работи со апаратот

3.3 Како да се работи со апаратот

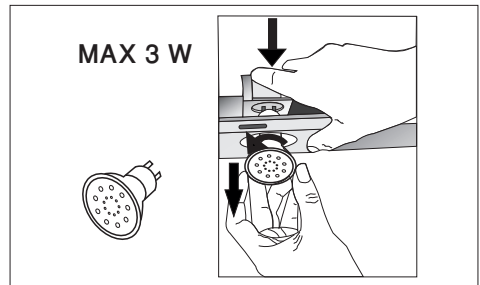
- Аспираторот е опремен со мотор кој има различни брзини.
- За подобри перформанси препорачуваме да се користат ниски брзини во нормални услови, а високи брзини кога има појаки миризби и повеќе параа.
- Може да го стартирате апаратот со притискање на копчето за поставување на саканата брзина. (B,C,D)
- Може да го осветлите просторот за готвење со притискање на сијаличката. (A)

3.4 Автоматско запирање

Аспираторот има функција за автоматско запирање, која овозможува да вентилира малку повеќе и да ги отстранува непожелните миризби и пареи во просторијата, како и автоматски да се исклучи откако ќе заврши готвењето. За да се активира функцијата за автоматско запирање, притиснете го копчето за која и да е брзина (B, C, D) на контролната табла подолго од 2 секунди; ќе се активира 15-минутен тајмер. Кога е активна функцијата за автоматско запирање, со притискање на истото копче за брзина ќе се деактивира функцијата за автоматско запирање и моторот на аспираторот ќе запре. Оваа функција се деактивира кога префрлате од една на друга брзина.


Ако сакате аспираторот автоматски да запре, треба повторно да ја активирате функцијата за автоматско запирање.

3.5 Замена на сијаличка



(Слика 3)

Извршете ги сите електрични поврзувања на уредот. Аспираторот користи 3W ЛЕД сијаличка. За да замените сијаличка, притиснете го надолу лежиштето од задната страна, свртете го спротивно од правецот на стрелката на часовникот и повлечете ја сијаличката надолу за да ја извадите. Направете го истото по обратен редослед за да ставите нова сијаличка (Слика 3).

Сијаличка	
Моќност на сијаличката	3 W
Лежиште / Фасонка	GZ 10
Напон на сијаличката	220 - 240 V
Димензии	53x50 mm
ILCOS код	DR/F3-220-240-GZ10-50-53
Светлосен флукс	260 lm
Температура на соодветна боја	3000 K

Овој производ содржи светлосен извор со енергетска ефикасност од класа "F".

3 Како да се работи со апаратот

3.6 Кога е поврзан димен канал

-  Пареата се издувува преку димен канал, кој е прицврстен за приклучната глава на аспираторот.
- Пречникот на димниот канал мора да биде ист како приклучната спојка. Кога се поставува хоризонтално, цевката мора да оди малку нагоре (околу 10°) за да може воздухот лесно да излегува од просторијата.

3.7 Кога не е поврзан димен канал

-  Воздухот се филтрира преку карбонскиот филтер и повторно циркулира во просторијата. Карбонскиот филтер се користи кога не е можно да се користи димен канал во објектот.
- Кога го користите аспираторот без димен канал, отстранете ги крилцата во адаптерот на димниот канал.
- Отстранете го алуминиумскиот филтер за маснотии. За да го ставите карбонскиот филтер, наместете го филтерот за клапните центрирајќи го на пластичниот дел на двете страни на куќиштето. Прицврстете го вртејќи го десно или лево.
- Заменете го алуминиумскиот филтер за маснотии.

4 Чистење и одржување

Уредот треба редовно да се чисти и одржува. Неуспешното одржување на чистотата на уредот негативно ќе влијае на работниот век на уредот. За чистење и одржување, следете ги инструкциите наведени во упатството.



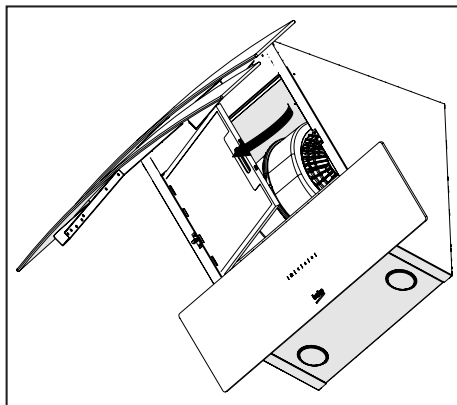
Пред чистењето и одржувањето на уредот, извадете го приклучокот од штекер или исклучете го прекинувачот.



Непочитувањето на мерките поврзани со чистењето на уредот и замена на филтрите може да резултира со ризик од пожар. Затоа, се препорачува да ги следите упатствата наведени овде. Производителот не е одговорен за оштетувањата на моторот или пожарите што настанале од неправилна употреба.

4.1 Чистење на алуминиумскиот филтер за маснотии

Овој филтер ги задржува масните честички од воздухот. Алуминиумските филтри за маснотии може да ја сменат бојата кога ќе се измијат, но тоа е нормално и не треба да се заменат.



(Слика 4)

- Притиснете ја напред бравата на алуминиумскиот филтер за маснотии.
- Потоа малку повлечете го надолу и извлечете го (Слика 4). Во спротивно филтерот може да се свитка. Измијте ги и исплакнете ги алуминиумските филтри за маснотии со течен детергент и вратете ги на место следејќи ги горенаведените чекори по обратен редослед. Овој филтер ги задржува масните честички од воздухот.



Алуминиумскиот филтер за маснотии може да го миете во машина за садови.

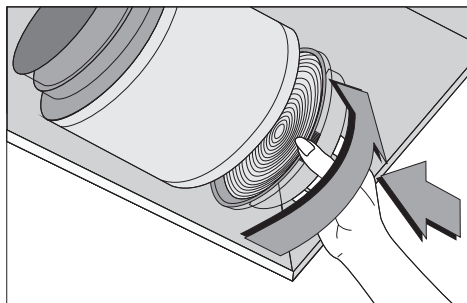


ВНИМАНИЕ: При нормална употреба, чистете го филтерот еднаш месечно.

4 Чистење и одржување

4.2 Замена на карбонските филтри

Филтрите што ја отстрануваат миризбата содржат јаглен (активен јаглен). Во аспираторот мора да има и филтри за маснотии независно од тоа дали се користат карбонски филтри.



(Слика 5)

- Отстранете го алуминиумскиот филтер за маснотии (Слика 4).
- За да го извадите карбонскиот филтер, извадете го од кукиштето вртејќи го обратно од стрелките на часовникот во однос на јазичето (Слика 5).
- Ставете го новиот карбонски филтер.
- Ставете го алуминиумскиот филтер за маснотии.

ВНИМАНИЕ



- Карбонскиот филтер не треба да се мие.
- Карбонските филтри треба да се менуваат секои 3 месеци.
- Карбонски филтер може да набавите во овластените сервиси.

5 Монтирање на уредот



ПРЕДУПРЕДУВАЊЕ:

Пред да почнете со монтирањето, прочитајте ги информациите за безбедност во Упатството за употреба.



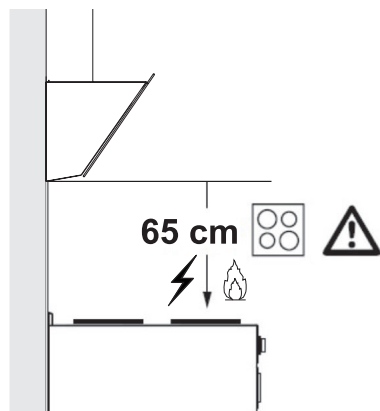
ПРЕДУПРЕДУВАЊЕ:

Ако не ги монтирате шrafoвите или не го фиксирате уредот во склад со овие упатства, може да дојде до електричен удар.

За монтирање на аспираторот јавете се во најблискиот овластен сервис.

Корисникот има одговорност да го подготви местото каде што ќе се монтира аспираторот и неговата електрична инсталација.

5.1 Положба на аспираторот

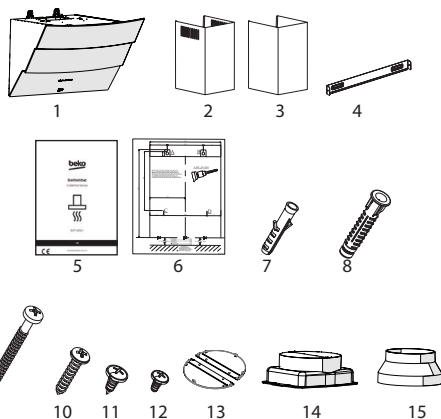


(Слика 6)

- Пред монтирањето мора да се остави соодветно растојание меѓу шпоретот и аспираторот. Растојанието треба да биде 65 cm (Слика 6).
- Растојанието треба да се мери

од површината на решетката кај плинските плотни, а од површината на стаклото кај електричните плотни.

5.2 Додатоци за монтирање



1. Производ
 2. Внатрешен димен канал
 3. Надворешен димен канал
 4. плоча за поврзување со оџакот
 5. Упатство за употреба
 6. Шаблон за составување
 7. 2x Ø6mm пластична типла
 8. 4x Ø8mm пластична типла
 9. 4x4,8x50 шраф за монтирање на сид
 10. 2x 3,9x22 шраф за плочата за поврзување со оџакот
 11. 4x 3,5x9,5 шраф за поврзување со оџакот
 12. 2x 3,5x9,5 шраф со тап крај
 13. стегач за оџакот
 14. 150mm пластичен адаптер за оџак
 15. 150/120 пластичен адаптер за оџак
- Потребните информации за подготвување на соодветна локација за монтирање на аспираторот се дадени подолу.

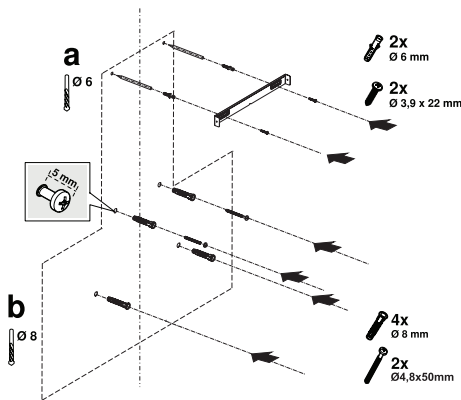
5 Монтирање на уредот

5.3 Монтирање на сид

Сидот мора да биде мазен, прав и да има доволна носивост.

Длабочината на издупчените отвори мора да одговара на должината на шрафовите.

Приложените шrafoви и типли се погодни за сидови од цигли. За ѕидови од други материјали (на пр. гипс, табли, порозен бетон) треба да се користат соодветни типли и навртки.



(Слика 7)

ВНИМАНИЕ: Пред да дупчите, проверете дали има електрични, плински или водоводни цевки во непосредна близина на местата каде што се дупчи.

Повлечете средна локациона линија од таванот нормално на долниот раб на аспираторот.

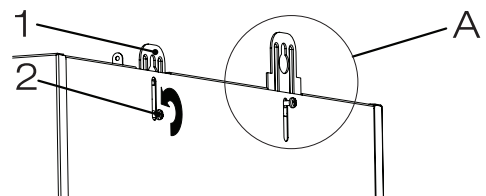
Наместете го приложениот шаблон на површината на која треба да се монтира аспираторот. При тоа запазете ја висината на која треба да се монтира аспираторот (Слика 6).

На средината на плочата за поврзување со оџакот има јазиче. Средната точка на ова јазиче поставете ја на линијата што е повлечена нормално на сидот. Притоа наместете го аспираторот според максималната висина (Слика 1). Со молив означете ги отворите на кои ќе биде поставена плочата за поврзување со оџакот (Слика 7/а).

Издупчете ги означените точки со дупчалка $\text{Ø}6\text{mm}$ и во отворите внесете 2 пластични типли (Слика 7/а). Прицврстете ја плочата за поврзување со оџакот за сидот со шrafoви $3,9 \times 22$ (Слика 7/а).

За да го составите куќиштето на аспираторот, може да користите бургија од $\text{Ø}8\text{mm}$ за да ги издупчите местата А, В, С и D на шаблонот за составување и на тие места да внесете пластични типли $4,8 \times 50\text{mm}$. (Слика 7/б).

2 шrafoва за прикачување $4,8 \times 50$ со простор од 5 mm меѓу главата на шrafoт и сидот (Слика 7/б).



(Слика 8)

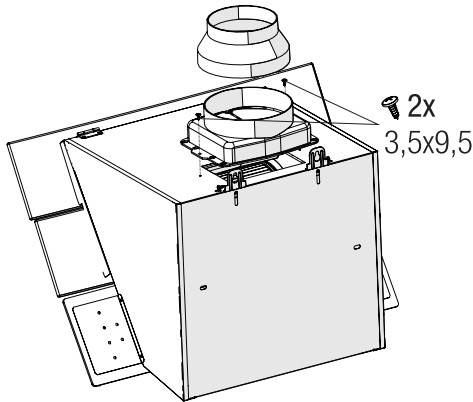
1. Плоча за закачување
2. Шrafo за поврзување на плочата за закачување

За да го монтирате аспираторот на сидот, олабавете ги шrafoвите на плочите за закачување монтирани на куќиштето на моторот и повлечете ги

5 Монтирање на апаратот

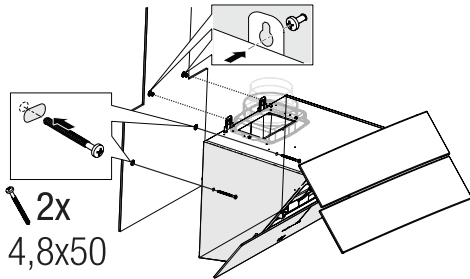
нагоре, а потоа повторно прицврстете ги (Слика 8/A).

Вклучете го стаклото за всмукување на аспираторот и извадете го алуминиумскиот филтер за маснотии (Слика 4).



(Слика 9)

Прикачете го приложениот пластичен адаптер за оџак од 150mm за куќиштето на аспираторот со помош на шрафовите со тап врв 3,5x9,5. Ако излезот за воздух треба да се поврзе со цевка за издувување на воздухот помала од 150mm, ставете го пластичниот адаптер за оџак од 150 / 120mm (Слика 9).

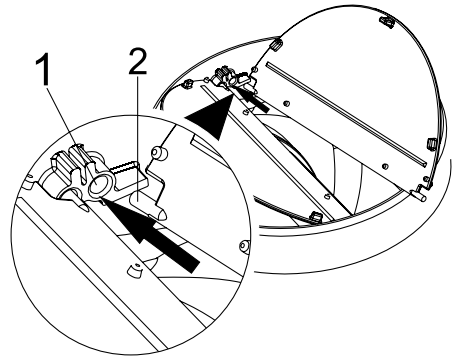


(Слика 10)

Држете го аспираторот за куќиштето и поставете го на шрафовите за монтирање на сидот и прицврстете ги шрафовите (Слика 10).

Прицврстете го аспираторот за сидот со два шрафа 4,8x50 низ отворот за монтирање во внатрешноста на апаратот (Слика 10).

5.4 Поврзување со оџакот



(Слика 11)

1. Лежиште на игличката на крилцето
2. Игличка на крилцето

Ставете ја пластичната игличка (Слика 11/бр. 2) на нејзиното лежиште на издувниот мотор (Слика 11/бр. 1). Потоа малку наведнете го крилцето за да ја ставите и игличката на другиот крај во нејзиното лежиште (Слика 11).

Ако користите пластичен адаптер за оџак \varnothing 120/150 mm, поврзете го едниот крај на цевката за овој адаптер, ако не го користите, за директниот излез на аспираторот. Поврзете го другиот крај на цевката со оџакот. Проверете дали овие две поврзувања се доволно цврсти за да не се одвојат кога апаратот ќе работи

5 Монтирање на апаратот

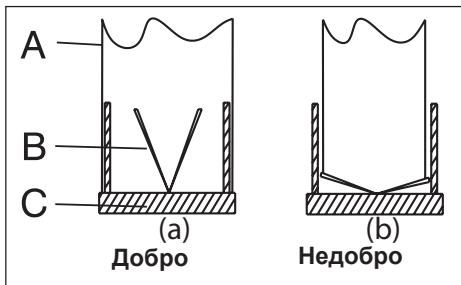
со најголема моќност. Проверете дали крилцата во оџакот работат откако ќе биде прицврстен со стегач. Поврзете ја цевката за поврзување со оџакот надвор од адаптерот (Слика 12/a). Ако цевката за поврзување е прицврстена внатре во адаптерот, нема да се влече воздух бидејќи крилцето на оџакот што го спречува враќањето на воздухот ќе остане затворено (Слика 12/б). Должината на поврзувањето со цевката треба да биде колку што е можно пократка и бројот на зглобови треба да биде колку што е можно помал.

A : Излезна цевка на оџакот

B : Стегачи за оџакот

C : Пластичен оџак

Вентилите се затворени и тогаш аспираторот не работи и така спречува во просторијата да влезат евентуални миризби и прашина однадвор.



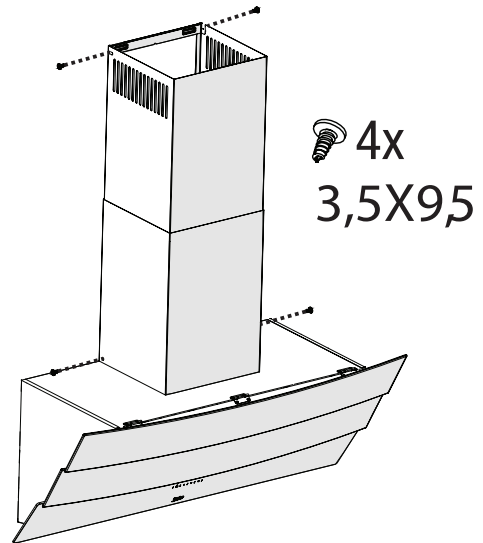
(Слика 12)

5.5 Монтирање на аспираторот за оџакот

Пред да почнете со инсталирање на оџакот, направете ги електричните поврзувања на аспираторот. Лизгајте ги плочите на оџакот околу куќиштето.

Зашрафете го оџакот за плочите за прицврстување на оџакот што се на куќиштето на моторот. (Слика 13).

Инсталирајте го оџакот на плочата за прицврстување на оџакот што е прицврстена за сидот од нејзините горни надворешни рабови (Слика 13).



(Слика 13)

5.6 Чување

- Ако не планирате да го користите уредот подолго време, Ве молиме внимателно да го одложите.
- Ве молиме проверете дали е уредот исклучен, ладен и комплетно сув.
- Оставете го уредот на суво и ладно место.
- Чувајте го уредот на места недостапни за деца.

5 Монтирање на апаратот

5.7 Ракување и транспорт

- За време на преместувањето и транспортот носете го уредот спакуван во оригиналната амбалажа. Амбалажата го заштитува уредот од физички оштетувања.
- Не ставајте терет на уредот или на амбалажата. Може да се оштети уредот.
- Внимавајте уредот да на Ви падне на под, тоа може да предизвика трајни оштетувања и дефект на уредот.

6 Решавање проблеми

Решавање проблеми	Главна причина	Решение
Уредот не работи.	Проверете ги осигурувачите.	Осигурувачот можеби прегорел, проверете го и заменете го.
Уредот не работи.	Проверете ја електричната врска.	Напонот на електричната мрежа треба да биде од 220 до 240 V.
Уредот не работи.	Проверете ја електричната врска.	Проверете дали работат другите кујнски апарати.
Осветлувањето не работи.	Проверете ја електричната врска.	Напонот на електричната мрежа треба да биде од 220 до 240 V.
Осветлувањето не работи.	Проверете го прекинувачот на сијаличката.	Прекинувачот на сијаличката треба да биде на позиција "оп" (вклучено).
Осветлувањето не работи.	Проверете ги сијаличките.	Сијаличките на уредот ќе светнат.
Аспираторот слабо влече воздух.	Проверте го алуминиумскиот филтер.	Во нормални услови, алуминиумскиот филтер за маснотии треба да се чисти најмалку еднаш месечно.
Аспираторот слабо влече воздух.	Проверете го димниот канал за исфрлање на воздухот.	Димниот канал за исфрлање на воздухот треба да биде на позиција "оп" (вклучено).
Аспираторот слабо влече воздух.	Проверете го карбонскиот филтер.	Во нормални услови, филтрите на уредите со карбонски филтри треба да се чистат најмалку еднаш на секои 3 месеци.

Leia este manual do utilizador em primeiro lugar!

Prezado Cliente,

Obrigado por preferir este aparelho da Beko. Esperamos que obtenha os melhores resultados com o nosso aparelho, que foi fabricado com tecnologia avançada e de alta qualidade. Como tal, leia com atenção todo este manual do utilizador e os outros documentos que o acompanham antes de utilizar o aparelho e guarde-o como referência para uso futuro. Se passar o aparelho para outra pessoa, dê-lhe também este manual do utilizador. Siga as instruções estando atento às informações e avisos no manual do utilizador.

Lembre-se que este manual do utilizador também pode aplicar-se a outros modelos. As diferenças entre modelos são explicitamente descritas no manual.

Significados dos símbolos

Os seguintes símbolos são usados em várias secções deste manual:



Informações importantes ou dicas úteis sobre a utilização.



AVISO: Avisos para situações perigosas relativas à segurança de pessoas e bens.



Aviso sobre perigo de incêndio.



Aviso de choque elétrico.

1 Instruções importantes sobre segurança e meio ambiente

1.1 Segurança geral

Instruções importantes sobre a segurança, leia com cuidado e mantenha para a referência futura. Esta secção contém instruções de segurança que ajudarão a protegê-lo(a) contra o risco de incêndio, exposição a energia de micro-ondas libertada acidentalmente, ferimentos pessoais ou danos à propriedade. O não cumprimento destas instruções invalida a garantia concedida.

- Os produtos Beko estão em conformidade com as normas de segurança aplicáveis; portanto, em caso de qualquer dano no aparelho ou cabo de alimentação, deve ser reparado ou substituído pelo revendedor, centro de assistência ou por uma assistência especializada e autorizada para evitar qualquer perigo. Reparações defeituosas ou não qualificadas podem ser perigosas e constituir riscos para o utilizador.
- Este aparelho destina-se à utilização doméstica e aplicações semelhantes, como por exemplo:
 - Áreas da cozinha dos funcionários em lojas, escritórios e outros ambientes de trabalho;
 - Casas de turismo rural;
 - Por clientes em hotéis, pensões e outros tipos de ambientes residenciais;
 - Alojamentos do tipo cama e pequeno-almoço.
- Use este aparelho apenas para os fins a que se destina e tal como descrito neste manual.
- O fabricante não se responsabiliza por quaisquer danos resultantes de uma instalação incorreta ou imprópria.
- Este equipamento pode ser usado por crianças com idade de 8 anos ou mais e por pessoas com capacidades físicas, sensoriais ou mentais reduzidas ou com falta de experiência e conhecimento se forem supervisionadas ou que lhes tenha sido dada instrução a respeito da utilização do equipamento de um modo seguro e que compreendam os perigos envolvidos.

1 Instruções importantes sobre segurança e meio ambiente

- As crianças não devem brincar com o aparelho. A limpeza e a manutenção do utilizador não devem ser realizadas por crianças sem serem supervisionadas.
 - A distância mínima entre a superfície de apoio para os recipientes na placa de cozinha e a parte inferior do produto deve ser de 65 cm, no mínimo.
 - Se as instruções de instalação para a placa de cozinha a gás especificarem uma distância maior, esta deve ser tida em consideração.
 - Certifique-se de que a alimentação elétrica está em conformidade com as informações fornecidas na placa de dados do aparelho.
 - Nunca utilize o aparelho se o cabo de alimentação ou o próprio aparelho estiverem danificados.
 - Evite danos ao cabo de alimentação, evitando apertá-lo, dobrá-lo ou arrastá-lo sobre extremidades pontiagudas. Mantenha o cabo de alimentação afastado de superfícies quentes e chamas vivas.
 - Apenas utilize o aparelho numa tomada com ligação à terra.
- AVISO:** Não ligue o aparelho à corrente até que a instalação esteja concluída.
- Coloque o aparelho de modo a que a ficha esteja sempre acessível.
 - Não toque nas lâmpadas caso tenham estado acesas durante muito tempo. Estas podem queimar as suas mãos, dado que ficam quentes.
 - Siga os regulamentos estabelecidos pelas autoridades competentes relativos ao ar de exaustão (este aviso não se aplica se o aparelho for utilizado sem chaminé).
 - Utilize o aparelho apenas depois de colocar um tacho, uma frigideira, etc. na placa de cozinha. Caso contrário, o calor excessivo pode deformar algumas partes do aparelho.
 - Desligue a placa de cozinha antes de retirar o tacho, a frigideira, etc.

1 Instruções importantes sobre segurança e meio ambiente

- Não deixe óleo quente na placa de cozinha. As frigideiras com óleo quente podem entrar em combustão espontânea.
- Preste atenção às cortinas e tampas, pois o óleo pode incendiar-se enquanto se cozinha, por exemplo, batatas fritas.
- O filtro de gordura deve ser substituído, no mínimo, mensalmente. O filtro de carbono deve ser substituído, no mínimo, a cada 3 meses.
- O aparelho deve ser limpo de acordo com as instruções do manual do utilizador. Pode existir perigo de incêndio caso a limpeza não seja realizada de acordo com as instruções do manual do utilizador.
- Não utilize materiais de filtração que não sejam resistentes ao fogo além do filtro atual.
- Utilize apenas as peças originais ou peças recomendadas pelo fabricante.
- Não utilize o aparelho sem o filtro e não retire os filtros durante o funcionamento do aparelho.
- No caso de deflagrar uma chama, corte a alimentação elétrica do aparelho e dos eletrodomésticos.
- No caso de deflagrar uma chama, cubra-a e nunca use água para extingui-la.
- Desligue o aparelho antes de cada limpeza e quando este não estiver a ser utilizado.
- A pressão negativa no ambiente não deverá exceder 4 Pa (4 x 10 bar) enquanto o exaustor para a placa de cozinha elétrica e os aparelhos alimentados por outro tipo de energia além da eletricidade estiverem a funcionar em simultâneo.
- No ambiente em que o aparelho está a ser utilizado, a exaustão dos dispositivos que funcionam a óleo combustível ou gás, como é o caso dos aquecedores, deverá ficar totalmente isolada. Caso contrário, o aparelho terá de ser de tipo hermético.
- Ao fazer a ligação à chaminé, utilize tubos com 120 ou 150 mm de diâmetro. A ligação do tubo

1 Instruções importantes sobre segurança e meio ambiente

deve ser o mais curta possível e ter o menor número de curvas possível.

Perigo de asfixia! Mantenha todos os materiais da embalagem afastados das crianças.

ATENÇÃO: Partes acessíveis podem ficar quentes quando utilizadas com aparelhos de cozinha.

- A saída do exaustor não pode estar ligada aos canais de ar que incluem outros fumos.
- A ventilação na divisão poderá ser insuficiente quando se utilizar o exaustor para a placa de cozinha elétrica simultaneamente com os dispositivos que funcionam a gás ou outros combustíveis (isto poderá não se aplicar aos aparelhos que apenas fazem o retorno do ar para a divisão).
- Os objetos colocados em cima do aparelho podem cair. Não coloque quaisquer objetos em cima do aparelho.
- Não flambeie debaixo do aparelho.

AVISO: Remova as películas protetoras antes de instalar a Placa de cozinha.

- Nunca deixe chamas vivas altas sob o exaustor quando este estiver em funcionamento
- Mantenha as fritadeiras sob controlo durante a utilização: o óleo sobreaquecido pode inflamar-se.

1.2 Conformidade com a Diretiva REEE e eliminação do produto residual:

Este produto está em conformidade com a Diretiva REEE da UE (2012/19/UE). Este produto traz um símbolo de classificação para reciclagem de equipamentos elétricos e eletrónicos (REEE).



Este símbolo indica que o produto não deve ser eliminado juntamente com o lixo doméstico no fim da sua vida útil. Os aparelhos usados devem ser levados para um ponto de recolha oficial para a reciclagem de aparelhos elétricos e eletrónicos. Para encontrar estes sistemas de recolha, entre em contacto com as autoridades locais ou com o revendedor através do qual adquiriu o produto. Cada domicílio desempenha um papel fundamental na recolha e reciclagem de aparelhos antigos. A eliminação correta de aparelhos usados ajuda a prevenir potenciais efeitos negativos ao meio ambiente e à saúde humana.

1.3 Conformidade com a Diretiva RoHS

O produto adquirido está em conformidade com a Diretiva RoHS da UE (2011/65/UE). Não contém materiais prejudiciais ou proibidos especificados na Diretiva.

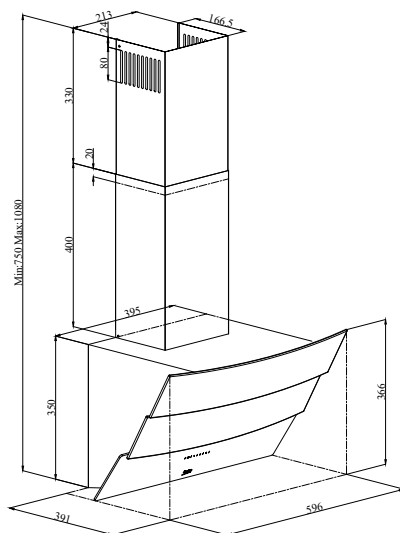
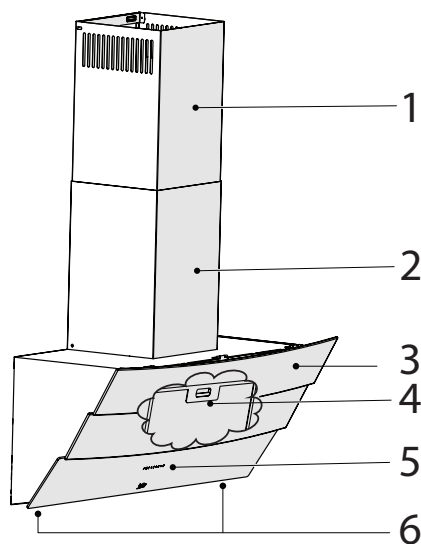
1.4 Informação de embalagem



Os materiais para embalagem do produto são fabricados a partir de materiais recicláveis, em conformidade com a nossa Regulamentação Nacional do Ambiente. Não elimine os materiais da embalagem juntamente com os resíduos domésticos ou outros tipos de resíduos. Leve-os para os pontos de recolha de materiais de embalagem designados pelas autoridades locais.

2 Aspetto geral

2.1 Generalidades



(Figura 1)

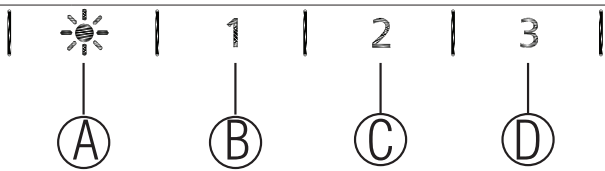
1. Chaminé interior
2. Chaminé exterior
3. Estrutura
4. Filtro de gorduras em alumínio (Por trás da tampa de vidro)
5. Painel de Controle
6. Iluminação

2.2 Dados técnicos

Modelo	HCA62640B	HCA62640W
Tensão de alimentação	220-240V ~ 50 Hz	
Potência da lâmpada	2x3 W	
Potência do motor	210 W	
Taxa de fluxo – 3. Nível	582 m ³ /h	
Classe de isolamento do motor	Classe F	
Classe de isolamento	Classe I	

3 Funcionamento do aparelho

3.1. Controlar o aparelho

	
TECLA	FUNÇÃO
A : Ligar/desligar a iluminação	Pode iluminar a zona de cozedura premindo este botão. Voltar a premir este botão para desligar a lâmpada.
B : 1. Botão de fase	Opera o aparelho na 1ª velocidade. Quando premir este botão novamente para desligar o aparelho, a fase de velocidade do ecrã desliga.
C : 2. Botão de fase	Opera o aparelho na 2ª velocidade. Quando premir este botão novamente para desligar o aparelho, a fase de velocidade do ecrã desliga.
D : 3. Botão de fase	Opera o aparelho na 3ª velocidade. Quando premir este botão novamente para desligar o aparelho, a fase de velocidade do ecrã desliga.

3.2 Utilização eficiente em termos de Poupança de Energia

- Quando usar o seu aparelho, ajustar as definições da velocidade de acordo com a intensidade de vapor e de odor, de modo a economizar energia.
- Usar as velocidades reduzidas (1-2) em condições normais e a velocidade mais elevada (3) com vapor e odor intensos.
- As lâmpadas no exaustor são colocadas para iluminar a zona de cozedura.
- Se usar as mesmas para iluminação ambiente irá provocar consumo desnecessário de energia e iluminação insuficiente.
- Para que o seu exaustor consuma menos energia, deve colocá-lo a funcionar num nível de velocidade baixa.
- O seu exaustor irá reduzir o consumo de energia e funcionará de forma mais eficiente quando permitir a entrada de ar suficiente no mesmo..
- Definir o seu exaustor para um nível de potência de sucção intensa perante a formação de vapor, nos casos em que souber que irá ocorrer vapor denso. Portanto, reduza o consumo de energia utilizando o seu exaustor durante um período de tempo mais curto à medida que o mesmo tiver uma entrada de ar suficiente.
- Mantenha as tampas do recipiente fechadas para reduzir a libertação do vapor.

3.3. Funcionamento do exaustor

- O seu aparelho inclui um motor com várias velocidades.
- Para um melhor desempenho, recomendamos usar velocidades reduzidas em condições normais e velocidades elevadas no caso de odores fortes e de vapor intenso.
- Pode começar a usar o seu aparelho premindo no botão de definição da velocidade pretendida. (B,C,D)

3 Funcionamento do aparelho

- Pode iluminar a zona de cozedura premindo a lâmpada.. (A)

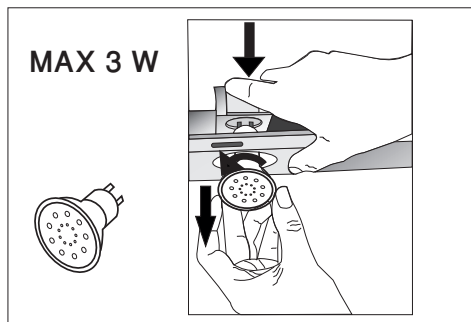
3.4 Paragem automática

O seu aparelho tem uma função de Paragem Automática, permitindo que o mesmo ventile durante mais algum tempo e remova os odores e vapor intenso não desejados que permaneçam no espaço e desligar automaticamente depois da cozedura estar concluída. Para a função Paragem Automática, premir qualquer botão de velocidade (B,C, D) no painel de controlo por mais de 2 segundos, a função de temporizador de 15 minutos deve ser ativada.

Quando a função de paragem automática está ativada, premir o mesmo botão de velocidade deverá desativar a função de paragem automática e o motor do aparelho deverá parar. Esta função é desativada quando alterna entre diferentes fases de velocidade.

Se pretender que o aparelho pare automaticamente, é necessário ativar de novo a função de paragem automática.

3.5. Substituição da lâmpada



(Figura 3)

Fazer as ligações elétricas do aparelho. O seu aparelho usa lâmpada LED spot 3 W. Para substituir as lâmpadas, empurrar para baixo o suporte

da lâmpada a partir de trás, rodá-lo no sentido anti-horário e tirá-lo por baixo. Realizar a operação acima no sentido inverso para instalar as novas lâmpadas (Figura 3).

Lâmpada	
Potência da lâmpada	3 W
Suporte / Tomada	GZ 10
Tensão da lâmpada	220 - 240 V
Dimensão	53x50 mm
Código ILCOS	DR/F3-220-240-GZ10-50-53
Fluxo luminoso	260 lm
Temperatura de cor relacionada	3000 K

Este produto contém uma fonte de luz com a classe de eficiência energética "F".

3.6 Funcionamento com ligação à chaminé

- O vapor é extraído através da conduta da chaminé, que é fixada à cabeça de ligação no exaustor.
- O diâmetro da conduta da chaminé tem de ser o mesmo do anel de ligação. Nas definições horizontais, o tubo tem de ter uma ligeira inclinação para cima (cerca de 10°) de modo a que o ar possa sair facilmente do espaço.

3.7 Funcionamento sem ligação à chaminé

- O ar filtrado através do filtro de carvão e recirculado no espaço. O filtro de carvão é usado quando é impossível usar uma Chaminé dentro de casa.

3 Funcionamento do aparelho

- Na Chaminé com pouco uso, remover as abas no interior do adaptador da mesma.
- Retirar o filtro de gordura em alumínio. Para instalar o filtro de carvão, encaixar o filtro nas guias centrando o mesmo na peça de plástico nos dois lados da estrutura da ventoinha. Apertar o mesmo rodando-o para a direita ou para a esquerda.
- Voltar a colocar o filtro de gordura em alumínio.

4 Limpeza e manutenção

O exaustor deve ser mantido e limpo regularmente. Se não mantiver o exaustor limpo isso poderá afetar adversamente a duração do mesmo. Para a limpeza e para a manutenção, deve seguir as instruções indicadas no manual.



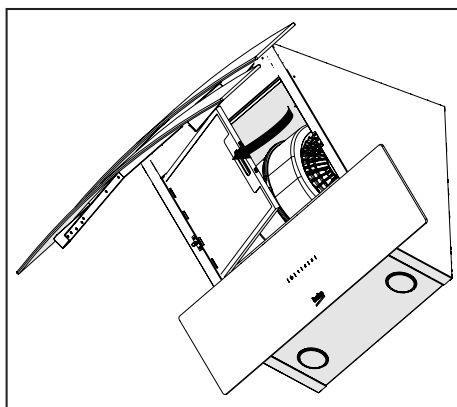
Antes de efetuar a limpeza e a manutenção, desligar o produto ou desligar o interruptor.



O incumprimento do estabelecido em relação à limpeza do exaustor e à substituição dos filtros pode resultar em risco de vida. Portanto, é recomendado seguir as orientações indicadas aqui. O fabricante não é responsável por danos no motor ou por incêndios provocado por um uso inadequado.

4.1 Limpeza do filtro de gordura em alumínio

Este filtro retém as partículas do óleo existentes no ar. Os filtros de gordura em alumínio podem mudar de cor à medida que vão sendo lavados, isto é normal e não exige a substituição dos seus filtros de gordura em alumínio.



(Figura 4)

- Empurrar para a frente o fecho do filtro de gordura em alumínio.
- Seguidamente, puxar o mesmo para baixo e remover (Figura 4). Caso contrário, pode dobrar o filtro. Lavar e enxaguar os filtros de gordura em alumínio com líquido com detergente e voltar a colocar os mesmos nas tomadas respetivas realizando os passos acima na ordem inversa. Este filtro retém as partículas do óleo existentes no ar.



Pode lavar o filtro de gordura em alumínio na máquina de lavar loiça.

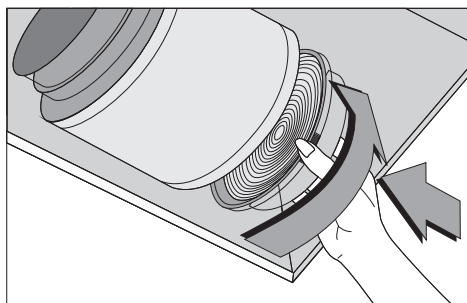
4 Limpeza e manutenção



CUIDADO: Com uma utilização normal, limpar o filtro do óleo uma vez por mês.

4.2 Substituição dos filtros de carvão

Is filtros de eliminação de odores contêm carvão (Carvão ativo). Os filtros do óleo têm de ser instalados no produto, independentemente se forem usados filtros de carvão ou não.



(Figura 5)

- Retira o filtro de gorduras em alumínio (Figura 4)
- Para remover o filtro de carvão, remover o mesmo do respetivo compartimento rodando-o no sentido anti-horário a partir da guia (Figura 5)
- Instalar o novo filtro de carvão.
- Instalar o filtro de gordura em alumínio



CUIDADO

- O filtro de carvão nunca deve ser lavado.
- Substituir os filtros de carvão uma vez em cada 3 meses.
- Pode obter o filtro de carvão nos revendedores autorizados.

5 Instalação do aparelho



ADVERTÊNCIA: Antes de iniciar a instalação, deve ler a informação de segurança no Manual do Utilizador.

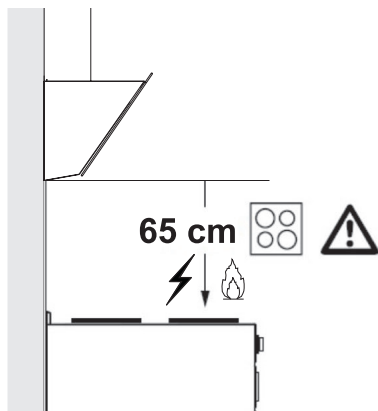


ADVERTÊNCIA: Não instalar com parafusos e estabilizadores de acordo com estas instruções pode resultar em choque eléctrico.

Para instalar o exaustor, deve contactar o Serviço Autorizado mais próximo.

É da responsabilidade do cliente preparar a localização e a instalação eléctrica do exaustor.

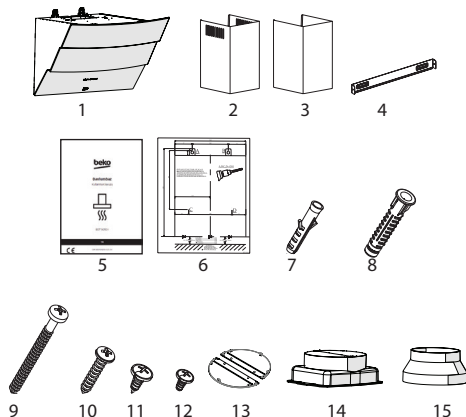
5.1 Posição do aparelho



(Figura 6)

- A distância entre o fogão e o exaustor tem de ser considerada antes da montagem.. Esta distância deve ser de 65 cm (Figura 6).
- A distância tem de ser medida a partir da superfície da grelha para os fogões a gás, a partir da superfície de vidro para os fogões eléctricos.

5.2 Acessórios da instalação



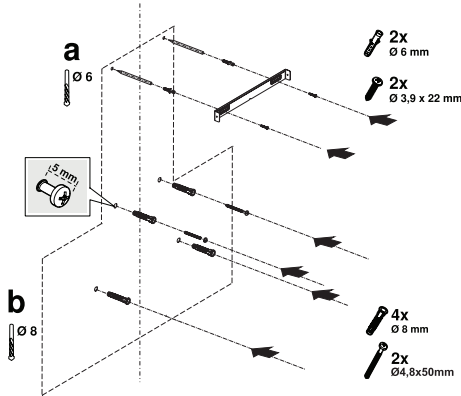
1. Produto
 2. Chaminé interior
 3. Chaminé exterior
 4. Placa de ligação à chaminé
 5. Manual do Utilizador
 6. Desenho da montagem
 7. Bucha de plástico 2x Ø6 mm
 8. Bucha de plástico 4x Ø8 mm
 9. Parafuso de montagem na parede 4x 4,8x50
 10. 2x 3.9x22 Parafuso da placa de ligação à chaminé
 11. 4x 3.5x9.5 Parafuso de ligação da chaminé
 12. 2x 3.5x9.5 Parafuso de ponta plana
 13. Abraçadeira
 14. 150mm Adaptador em plástico da chaminé
 15. 150/120 Adaptador em plástico da chaminé
- A informação necessária para fazer a localização adequada para a instalação do aparelho é indicada abaixo.

5.3 Instalação na parede

- A parede tem de ser plana, direita e ter capacidade de suporte suficiente.
- A profundidade dos furos de perfuração têm de estar de acordo com o comprimento dos parafusos.

5 Instalação do aparelho

- Os parafusos e as buchas fornecidos são adequados para paredes em tijolo. Para outros materiais de construção (por ex. placa de reboco, placa, betão poroso), devem ser usadas as buchas e porcas de fixação adequadas



(Figura 7)



CUIDADO: Antes de perfurar, assegurar que não existem tubos de alimentação, gás ou água nas proximidades dos locais de perfuração.

Desenhar uma linha ao meio da localização a partir da perpendicular do teto até ao rebordo inferior do exaustor.

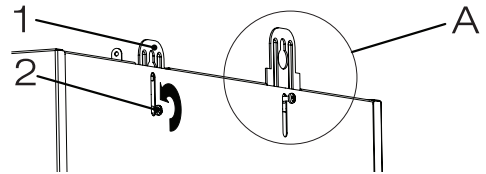
Colocar a placa de instalação fornecida com os acessórios na superfície onde pretende que o exaustor seja instalado. Ao fazer esta operação, deve respeitar a altura de montagem do exaustor (Figura 6).

Há uma guia no meio da placa de ligação da chaminé. Colocar o ponto intermédio desta guia na linha que está desenhada na perpendicular da parede. Ao fazer esta operação, ajustar o exaustor de acordo com a altura máxima (Figura 1) Marcar os furos onde a placa de ligação da chaminé será montada com a ajuda de uma esferográfica (Figura 7/a).

Perfurar os pontos marcados com uma perfuração de Ø6mm e inserir as duas buchas em plástico nos furos feitos (Figura 7/a). Fixar a placa de ligação da chaminé à parede com parafusos de 3,9x22 (Figura 7/a).

Para montar a armação do exaustor, pode usar os furos de Ø8 mm A,B,C,D na placa de montagem e inserir as buchas em plástico de 4,8x50 mm nestes pontos. (Figura 7/b).

2 parafusos de suspensão da peça 4,8x50 com uma folga de 5 mm entre a cabeça do parafuso e a parede (Figura 7/b).

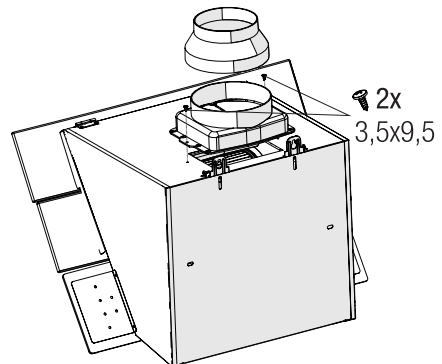


(Figura 8)

1. Placa de suporte
2. Parafuso de ligação da placa de suspensão

De modo a instalar o seu exaustor na parede, soltar os parafusos montados nas placas de suspensão na cabina do motor e puxar os mesmo e depois apertar novamente (Figura 8 / A).

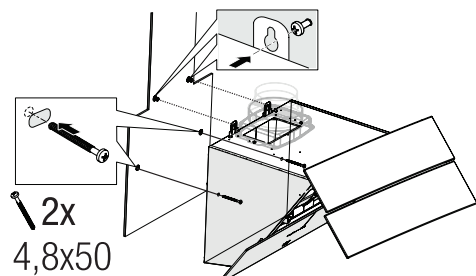
Rodar o vidro de sucção do exaustor e remover o filtro de gordura em alumínio (Figura 4).



(Figura 9)

5 Instalação do aparelho

Fixar o adaptador em plástico de 150 mm da chaminé incluído na embalagem à estrutura do produto com parafusos de ponta plana 3,5 x 9,5. Se a saída do ar para ser ligada à conduta de descarga do ar for menor que 150 mm, deve instalar o adaptador em plástico da chaminé 150/120 mm (Figura 9).

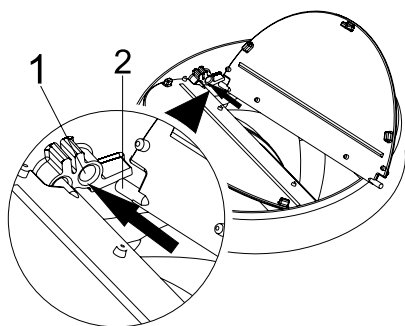


(Figura 10)

Segurar o exaustor do fogão na respetiva estrutura e colocar a mesma nos parafusos de suspensão na parede e apertar os parafusos (Figura 10).

Fixar o exaustor do fogão à parede com os parafusos de 4,8x50 através do furo de montagem no interior do aparelho (Figura 10).

5.4 Ligar à chaminé



(Figura 11)

1. Tomada do pino da aba
2. Pino da aba

Inserir o pino de plástico (Figura 11/zona nº 2) no soquete do pino na exaustão do motor (Figura 11/zona nº 1) Depois dobrar ligeiramente a aba para inserir o outro pino na aba e inserir o outro pino no respetivo soquete (Figura 11).

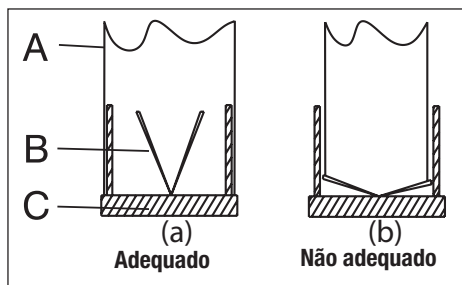
Se vai usar um adaptador de conduta em plástico com \varnothing 120/150 mm, ligar uma das extremidades do tubo a este adaptador, se não o for usar, ligar o mesmo à saída direta no produto. Ligar a outra extremidade do tubo à sua chaminé. Verificar se estas duas ligações estão suficientemente fixadas de modo a que não saiam quando o exaustor está a funcionar com toda a potência. Assegurar que as abas no interior da chaminé funcionam quando apertadas com o grampo. Ligar a conduta de ligação da chaminé exterior do adaptador (Figura 12/a). Se a conduta de ligação for encaixada dentro do adaptador, a sucção do ar não vai ocorrer dado que a aba da chaminé que impede o retorno do ar mantém-se fechada (Figura 12/b). O comprimento da ligação do tubo bem como o número de cotovelos deve ser o mínimo possível.

A : Tubo de saída da chaminé

B: Abraçadeiras da chaminé

C: Chaminé em plástico

As válvulas são fechadas depois o aparelho não está a funcionar e impede a entrada de odor e poeira possivelmente existentes no exterior.



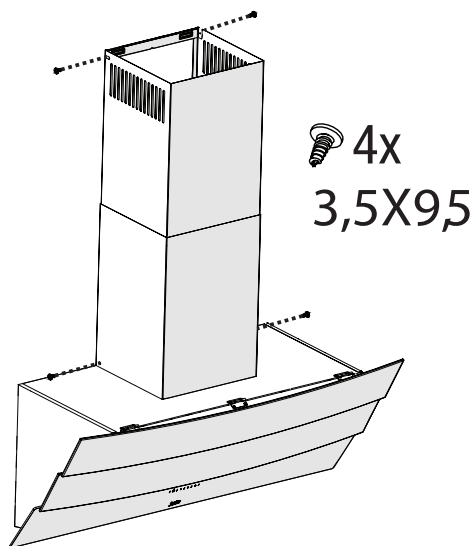
(Figura 12)

5 Instalação do aparelho

5.5 Instalação do exaustor à chaminé

Fazer a ligação elétrica do seu exaustor antes de iniciar a instalação da chaminé. Inserir as placas da chaminé em torno da estrutura. Aparafusar a chaminé às placas de fixação da chaminé que se encontram na cabina do motor. (Figura 13)

Instalar a chaminé na placa de fixação que está fixada na parede a partir do respetivo rebordo exterior superior (Figura 13).



(Figura 13)

5.6 Armazenamento

- Se não pretender usar o aparelho durante um período de tempo longo, armazená-lo cuidadosamente.
- Deve assegurar que o aparelho está desligado, arrefecido e totalmente seco.
- Armazenar o aparelho num espaço bem ventilado e seco.
- Manter o aparelho fora do alcance das crianças.

5.7 Manuseio e transporte

- Durante o manuseamento e transporte, levar o aparelho na embalagem original. A embalagem do aparelho protege-o contra danos físicos.
- Não colocar cargas pesadas sobre o aparelho ou sobre a embalagem. O aparelho pode ficar danificado.
- Deixar cair o aparelho irá torná-lo inoperacional ou causar danos permanentes.

6 Resolução de problemas

Resolução de problemas	Causa Origem	Ajuda
O aparelho não está a funcionar.	Verificar os fusíveis.	Os fusíveis podem ter rebentado, inspecionar e restaurar.
O aparelho não está a funcionar.	Verificar a instalação elétrica.	A tensão de corrente elétrica deve estar entre 220 e 240 V.
O aparelho não está a funcionar.	Verificar a instalação elétrica.	Verificar se outro aparelho na sua cozinha está a funcionar.
A lâmpada de iluminação não funciona	Verificar a instalação elétrica.	A tensão de corrente elétrica deve estar entre 220 e 240 V.
A lâmpada de iluminação não funciona	Verificar o interruptor da lâmpada.	O interruptor da lâmpada deve estar na posição "ligado".
A lâmpada de iluminação não funciona	Inspecionar as lâmpadas.	As lâmpadas do aparelho devem acender.
A entrada de ar do aparelho é inadequada.	Inspecionar o filtro de alumínio.	Em condições normais de funcionamento, o filtro de gordura em alumínio deve ser limpo pelo menos uma vez por mês.
A entrada de ar do aparelho é inadequada.	Verificar a descarga de ar da chaminé.	A descarga de ar da chaminé deve estar na posição "ligado".
A entrada de ar do aparelho é inadequada.	Inspecionar o filtro de carvão.	Nos filtros em que são utilizados filtros de carvão, o filtro de carvão deve ser substituído a cada 3 meses em condições normais.



**Contacte a assistência técnica:
707 014 192 / 215 557 319**

CONDIÇÕES DE GARANTIA - PORTUGAL

Este certificado cobre a garantia de reparação do seu eletrodoméstico por dois anos a contar da data de compra, contra defeitos de funcionamento provenientes do fabrico ou dos materiais; ou de substituição do dispositivo, a menos que uma dessas opções seja impossível ou desproporcionada em relação à outra. Quando detetar um defeito ou anomalia no aparelho entre imediatamente em contacto connosco, existe um prazo limite de dois meses para nos informar sobre a falta de conformidade. O valor da deslocação está incluído na reparação, com exceção de pequenos aparelhos que podem ser transportados para a oficina do serviço oficial da marca. Em caso de substituição, o período de garantia fica suspenso e o aparelho irá manter o prazo de validade do aparelho substituído e no mínimo 6 meses de garantia.

Esta garantia só será válida se a fatura, recibo de venda ou a entrega do produto em questão for posterior à data da fatura. Esta garantia é válida em território espanhol e português para aparelhos distribuído pela Beko Electronics Espanha SL. A garantia só é válida para o primeiro comprador ou adquirente do produto. A garantia é válida para dispositivos adaptados às condições climáticas e ambientais em que se situam.

EXCLUSÕES DA GARANTIA

O custo da reparação será pago pelo utilizador nos seguintes casos:

- Aparelhos utilizados para uso profissional ou não exclusivamente doméstico, em estabelecimentos comerciais, industriais ou públicos.
- O equipamento desmontado ou adulterado por alguém que não seja expressamente autorizado pelos serviços técnicos.
- A instalação, transporte, substituição de equipamento, colocação em funcionamento, alteração do sentido das portas.
- Intervenções de manutenção ou informações sobre a utilização dos aparelhos.
- Alteração de injetores em aparelhos a gás.
- As avarias causadas pela falta de manutenção ou limpeza, ou aquelas causadas por um uso inadequado, sobrecarga, abandono ou de forma a não respeitar as instruções de uso ou instalação dos aparelhos.
- As avarias provocadas por causas acidentais, sinistros de força maior ou resultantes de instalação inadequada e em geral, avarias por razões não relacionadas com o produto.
- As avarias causadas por ligações que podem apresentar flutuações, irregularidades ou falta de uniformidade no fornecimento, por exemplo: abastecimento de água, impulsionado por pressão, energia solar, energia eólica, geradores de energia elétrica ou outro tipo de fornecimento não-padrão.
- Os materiais quebrados ou danificados por desgaste ou uso não normal do aparelho, ou consumíveis tais como: juntas, plásticos, borracha, correias, vidros, pincéis, lâmpadas, asas, puxadores, tampas de queimadores, filtros, grades, etc.
- Os aparelhos que apresentem oxidação, ou danos por corrosão em esmaltes ou tintas, que possam ter sido causados por efeitos químicos ou eletroquímicos da água ou de qualquer outra substância, ou aceleradas por circunstâncias ambientais ou climáticas não propícias.
- Defeitos estéticos em serigrafia ou pintura.
- Os danos causados por transporte ou manuseio, colisões, etc.
- Os aparelhos devem ser instalados de forma acessível em caso de reparação e o utilizador deve assumir os custos necessários para aceder ao aparelho para reparação e substituição.

As marcas BEKO, ALTUS, BLOMBERG, y GRUNDIG são distribuídas por Beko Electronics Espanha S.L.

DADOS DO APARELHO (a ser preenchido pelo Distribuidor):

Detentor:		Carimbo do estabelecimento:
Modelo:	N.º série:	
Estabelecimento:	Data de compra:	

O fiador e o importador do seu eletrodoméstico é: BEKO ELECTRONICS ESPAÑA S.L. Calle Provenza nº 388 3º Barcelona 08025, Espana. O produto foi fabricado por ARÇELIK A.S (Arçelik A.S.Sütluce Karaağaç Cad. No:2-6 34445 Beyoglu, Istanbul, Turquia) ou o Arctic S.A. (210, 13 Decembrie St., 135200, Gaesti, Dambovitã, Romania.

Conheça-nos melhor na nossa página: www.beko.com Conserve este documento, é importante para si.

Vă rugăm să citiți mai întâi acest manual de utilizare!

Stimate client,

Vă mulțumim pentru că ați ales acest produs Beko. Sperăm să obțineți cele mai bune rezultate de la aparatul dumneavoastră, care a fost fabricat la o calitate înaltă și cu tehnologie performantă. Din acest motiv, vă rugăm să citiți cu atenție și în întregime acest manual de utilizare și toate celelalte documente însoțitoare înainte de a utiliza aparatul și să le păstrați pentru consultări ulterioare. Dacă transmiteți produsul altei persoane, oferiți-i și manualul de utilizare. Urmați instrucțiunile și acordați atenție tuturor informațiilor și avertismentelor din manualul de utilizare.

Nu uitați că acest manual de utilizare poate fi aplicat și altor modele. Diferențele dintre modele sunt descrise în manual în mod explicit.

Semnificația simbolurilor

Următoarele simboluri sunt utilizate în diverse părți ale acestui manual de utilizare:



Informații importante și sugestii utile cu privire la utilizare.



AVERTISMENT: Avertismente pentru situații periculoase referitoare la siguranța vieții și bunurilor.



AVERTISMENT: Avertisment pentru pericol de incendiu.



AVERTISMENT: Avertisment privind electrocutarea.



HĂRTIE RECICLATĂ ȘI
RECICLABILĂ

1 Instrucțiuni importante cu privire la siguranță și mediu

1.1 Siguranță generală

Instrucțiuni importante cu privire la siguranță Citiți cu atenție și păstrați-le pentru consultare ulterioară Această secțiune conține instrucțiuni privind siguranța, care vă vor proteja împotriva riscului de incendiu, electrocutare, expunere la scurgeri de microunde, vătămare corporală și pagube materiale. Nerespectarea acestor instrucțiuni atrage anularea garanțiilor acordate.

- Produsele de la Beko sunt conforme standardelor de siguranță aplicabile; din acest motiv, în caz de defecțiune a produsului sau a cablului de alimentare, acestea trebuie reparate sau înlocuite de distribuitor, un centru de service sau un service similar specializat și autorizat, pentru evitarea oricărui pericol. Lucrările de reparații greșite sau efectuate de persoane necalificate pot cauza pericole sau riscuri utilizatorului.
- Acest aparat este destinat pentru a fi utilizat în scop casnic și aplicații similare cum ar fi:

- Bucătării pentru personalul din magazine, birouri sau alte medii de lucru;
- Ferme
- De către clienți în hoteluri, moteluri sau alte medii de tip rezidențial;
- Medii de tip pensiune.
- Utilizați acest produs doar pentru uzul desemnat, așa cum este descris în acest manual.
- Producătorul nu își asumă răspunderea pentru daunele provocate de instalarea incorectă sau utilizarea greșită a produsului.
- Acest aparat poate fi utilizat de către copii cu vârsta minimă de 8 ani și de către persoanele cu capacități fizice, senzoriale sau mentale reduse sau lipsite de experiență și de cunoștințe, dacă aceștia au fost supravegheați sau instruiți cu privire la utilizarea produsului într-un mod sigur și dacă înțeleg pericolele implicate.

1 Instrucțiuni importante cu privire la siguranță și mediu

- Copiii nu trebuie să se joace cu aparatul. Operațiunile de curățare și întreținere nu trebuie să fie efectuate de către copii fără supraveghere.
 - Distanța minimă dintre suprafețele de susținere pentru vasele de gătit de pe plită și partea cea mai joasă a hotei trebuie să fie de 65 cm.
 - Dacă instrucțiunile de instalare a plitei cu gaz specifică distanțe mai mari decât cele de mai sus, se vor respecta instrucțiunile respective.
 - Asigurați-vă că tensiunea de alimentare corespunde cu informațiile furnizate pe plăcuța cu date tehnice a produsului.
 - Nu utilizați aparatul atunci când cablul de alimentare sau aparatul în sine este avariat.
 - Nu strângeți, nu îndoiți și nu frecăți cablul de alimentare de margini tăioase, pentru a preveni avariarea acestuia. Feriți cablul de alimentare de suprafețele fierbinți și focul deschis.
 - Utilizați produsul doar cu o priză cu împământare.
- AVERTISMENT:** Nu conectați produsul la priza de alimentare înainte de finalizarea instalării.
- Amplasați aparatul astfel încât ștecherul să fie întotdeauna accesibil.
 - Nu atingeți lămpile dacă au funcționat mult timp. Vă pot arde mâinile, deoarece vor fi fierbinți.
 - Respectați reglementările stabilite de autoritățile competente privind evacuarea aerului rezidual (acest avertisment nu este valabil la utilizarea fără coșul de fum).
 - Folosiți produsul după ce ați pus o oală, o tigaie etc. pe plită. În caz contrar, căldura ridicată poate cauza deformări în unele părți ale produsului.
 - Opriti plita înainte de a lua oala, tigaia etc. de pe aceasta.
 - Nu lăsați ulei fierbinte pe plită. Tigăile cu ulei fierbinte pot provoca auto-combustia.
 - Fiți atenți la perdele și huse, deoarece uleiul poate lua foc în

1 Instrucțiuni importante cu privire la siguranță și mediu

- timp ce gătiți alimente cum ar fi cartofi prăjiți.
- Filtrul de grăsime trebuie înlocuit cel puțin lunar. Filtrul de carbon trebuie înlocuit cel puțin o dată la 3 luni.
 - Produsul trebuie curățat conform manualului de utilizare. În cazul în care curățarea nu a fost efectuată conform manualului de utilizare, există risc de incendiu.
 - Nu folosiți materiale de filtrare care nu sunt rezistente la foc, în locul filtrului actual.
 - Utilizați doar componentele originale sau componentele recomandate de către producător.
 - Nu folosiți produsul fără filtru și nu scoateți filtrele în timp ce produsul funcționează.
 - În cazul în care se produce o flacără, opriți alimentarea produsului și aparatele de gătit.
 - În cazul în care se produce o flacără, acoperiți flacăra și nu utilizați apă pentru stingere.
 - Înainte de fiecare curățare și atunci când produsul nu este folosit, scoateți-l din priză.
 - Presiunea negativă în mediu nu trebuie să depășească 4 Pa (4 x 10 bari), în timp ce hota pentru plita electrică și aparatele care funcționează cu un alt tip de energie decât electricitatea funcționează simultan.
 - În mediul în care este folosit produsul, evacuarea dispozitivelor care funcționează pe combustibil lichid sau motorină, cum ar fi radiatorul, trebuie să fie complet izolată sau dispozitivul trebuie să fie de tip ermetic.
 - La conectarea coșului de evacuare, folosiți țevi cu diametrul de 120 sau 150 mm. Racordul țevelor trebuie să fie cât mai scurt posibil și să aibă cât mai puține coturi.
 - Pericol de sufocare! Păstrați materialele de ambalare la loc inaccesibil copiilor.
- ATENȚIE:** În timpul utilizării cu aparate de gătit, piesele accesibile se pot încinge.
- Evacuarea hotei nu trebuie să fie conectată la canalele de aer care includ alte tipuri de fum.

1 Instrucțiuni importante cu privire la siguranță și mediu

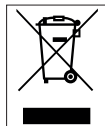
- Ventilația în cameră poate fi insuficientă atunci când hota pentru plita electrică este folosită simultan cu dispozitive care funcționează cu gaz sau alți combustibili (nu se aplică neapărat în cazul aparatelor care doar evacuează aerul înapoi în cameră).
- Obiectele plasate pe produs pot să cadă. Nu amplasați nici un obiect pe aparat.
- Nu flambați alimente sub produs.

AVERTISMENT: Îndepărtați foliile de protecție înainte de a instala hota.

- Nu lăsați niciodată focul deschis la intensitate mare sub hotă când aceasta funcționează.
- Friteuzele trebuie supravegheate permanent în timpul folosirii: uleiul supraîncălzit se poate aprinde.

1.2 Conformitate cu Directiva DEEE și eliminarea deșeurilor:

Acest produs este conform cu Directiva DEEE a UE (2012/19/EU). Acest produs poartă un simbol pentru deșeurile de echipamente electrice (DEEE).



Acest simbol indică faptul că acest produs nu trebuie eliminat împreună cu alte deșeurile menajere la sfârșitul duratei sale de utilizare. Dispozitivul uzat trebuie returnat către un punct

oficial de colectare pentru reciclarea dispozitivelor electrice și electronice. Pentru a găsi aceste sisteme de colectare contactați autoritățile locale sau distribuitorul de la care a fost achiziționat produsul. Fiecare gospodărie are un rol important în recuperarea și reciclarea electrocasnicelor vechi. Eliminarea corespunzătoare a electrocasnicelor uzate ajută la prevenirea posibilelor consecințe negative pentru mediu și sănătatea umană.

1.3 Conformitatea cu Directiva RoHS

Produsul pe care l-ați achiziționat este conform cu Directiva RoHS UE (2011/65/UE). Produsul nu conține materiale dăunătoare sau interzise specificate în Directivă.

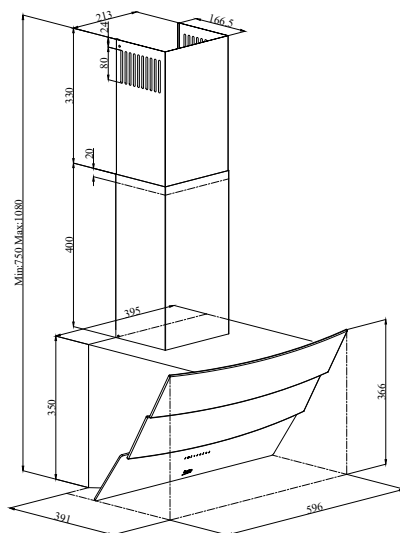
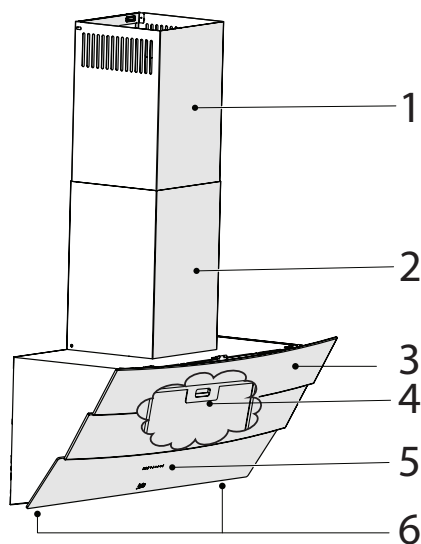
1.4 Informații despre ambalaj



Ambalajul produsului este fabricat din materiale reciclabile, în conformitate cu reglementările naționale de mediu. Nu eliminați ambalajul împreună cu deșeurile menajere sau de alt tip. Transportați-le la punctele de colectare a ambalajelor desemnate de către autoritățile locale.

2 Aspect general

2.1 Prezentare generală



(Figura 1)

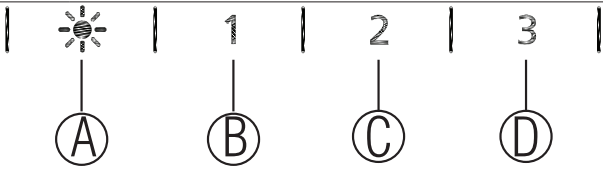
1. Burlan interior
2. Burlan exterior
3. Corp
4. Filtru de grăsime din aluminiu (În spatele sticlei de protecție)
5. Panou de control
6. Lampă

2.2 Date tehnice

Model	HCA62640B	HCA62640W
Tensiune alimentare	220-240V ~ 50 Hz	
Alimentare lampă	2x3 W	
Putere motor	210 W	
Debit – 3. Nivel	582 m ³ /h	
Clasa de izolație motor	Clasa F	
Clasa de izolație	Clasa I	

3 Funcționarea aparatului

3.1 Controlul aparatului

	
CHEIE	FUNCȚIE
A : Lumină On/Off	Puteți ilumina zona de gătit apăsând acest buton. Apăsati din nou acest buton pentru a stinge becul.
B : 1. Buton treaptă	Acționați aparatul la viteza 1. Când apăsați din nou acest buton pentru a opri aparatul, etapa de viteză a ecranului se oprește.
C : 2. Buton treaptă	Acționați aparatul la viteza 2. Când apăsați din nou acest buton pentru a opri aparatul, etapa de viteză a ecranului se oprește.
D : 3. Buton treaptă	Acționați aparatul la viteza 3. Când apăsați din nou acest buton pentru a opri aparatul, etapa de viteză a ecranului se oprește.

3.2 Utilizarea eficientă pentru economie de energie

- Când folosiți hota, ajustați setările de viteză conform vaporilor și intensității mirosului, pentru a economisi energie.
- Folosiți viteze mici (1-2) în condiții normale și viteze mari (3) pentru mirosuri intense și vapori.
- Lămpile de pe hotă sunt plasate pentru iluminarea zonei de gătit.
- Folosirea lor pentru lumina ambientală va produce consum de energie inutil și lumină insuficientă.
- Pentru ca aparatul să consume mai puțină energie, utilizați-l la o viteză redusă.
- Aparatul va consuma mai puțină energie, deoarece va funcționa mai eficient atunci când îi asigurați o admisie suficientă de aer.
- Setati aparatul la nivelul de aspirație puternică înainte de formarea aburului, în cazurile în care știți că se va forma mult abur. Așadar, reduceți consumul de energie folosind aparatul pentru o perioadă mai scurtă de timp, deoarece va avea o admisie suficientă de aer.
- Țineți capacele vaselor de gătit închise pentru a reduce degajarea aburului.

3.3 Funcționarea hotei

- Hota dvs. conține un motor care are viteze diferite.
- Pentru o performanță mai bună, vă recomandăm să utilizați viteze reduse în condiții normale și viteze mari în caz de mirosuri puternice și vapori intensi.
- Puteți porni aparatul apăsând butonul de setare a vitezei dorit. (B,C,D)
- Puteți ilumina zona de gătit apăsând lampa. (A)

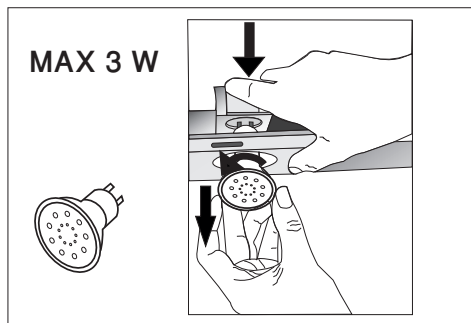
3 Funcționarea aparatului

3.4 Oprire automată

Aparatul dvs. are caracteristica Oprire automată, permițându-i să se ventileze puțin mai mult și să elimine mirosurile nedorite și vaporii din mediu și să se oprească automat după ce se termină gătitul. Pentru a activa funcția Oprire automată, apăsați orice buton al treptei de viteză (B, C, D) de pe panoul de comandă pentru mai mult de 2 secunde; funcția de temporizare de 15 minute se activează. Atunci când funcția de oprire automată este activă, apăsarea aceluiași buton de viteză dezactivează funcția de oprire automată, iar motorul aparatului se oprește. Această caracteristică este dezactivată atunci când comutați între diferite etape de viteză.


Dacă doriți ca aparatul să se oprească automat, trebuie să activați din nou funcția de oprire automată.

3.5 Înlocuirea becului



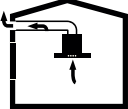
(Figura 3)

Efectuați conexiunile electrice ale aparatului. Aparatul dvs. utilizează un bec LED spot de 3W. Pentru înlocuirea becurilor, apăsați în jos suportul din spate, răsușiți-l puțin în sensul anti orar și scoateți-l trăgându-l în jos. Aplicați operațiunea de mai sus în sens invers pentru a instala becuri noi (Figura 3).

Bec	
Putere bec	3 W
Suport / Priză	GZ 10
Tensiune bec	220 - 240 V
Dimensiune	53x50 mm
Cod ILCOS	DR/F3-220-240-GZ10-50-53
Flux de lumină	260 lm
Temperatură de culoare corespondentă	3000 K

Acest produs conține o sursă de lumină din clasa de eficiență energetică "F".

3.6 Funcționare cu racordare la burlan

-  Vaporii sunt extrași prin conducta de evacuare, care este fixată pe capul de conectare de pe hotă.
- Diametrul conductei de evacuare trebuie să fie același cu cel al inelului de conectare. În setări orizontale, țeava trebuie să aibă o ușoară pantă ascendentă (aproximativ 10°), astfel încât aerul să poată ieși cu ușurință din cameră.

3.7 Funcționare fără racordare la burlan

-  Aerul este filtrat prin filtrul de carbon și recirculat în cameră. Filtrul de carbon este utilizat atunci când este imposibil de utilizat un burlan în casă.
- În cazul utilizării fără burlan de evacuare, împărtașiți clapetele din interiorul adaptorului pentru conducta de evacuare.
- Scoateți filtrul de grăsimi din aluminiu. Pentru a instala filtrul de carbon, montați filtrul pe clapete

3 Funcționarea aparatului

centrându-l pe piesa din plastic de pe ambele părți ale corpului ventilatorului. Strângeți-l prin rotirea spre dreapta sau spre stânga.

- Înlocuiți filtrul de grăsimi din aluminiu.

4 Curățare și întreținere

Dispozitivul trebuie curățat și întreținut în mod regulat. Dacă aparatul nu este păstrat curat durata de viață a acestuia va fi afectată negativ. Pentru curățare și întreținere, urmați instrucțiunile specificate în manual.



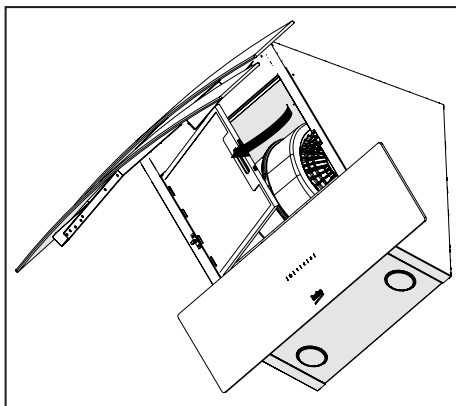
Înainte de curățare și întreținere, deconectați produsul sau opriți întrerupătorul.



Nerespectarea prevederilor legate de curățarea aparatului și înlocuirea filtrelor poate duce la producerea de incendii. Prin urmare, se recomandă să urmați instrucțiunile specificate aici. Producătorul nu este responsabil pentru defecțiunile motorului sau incendiile cauzate de utilizarea necorespunzătoare.

4.1 Curățarea filtrului de grăsimi din aluminiu

Acest filtru reține particulele de ulei din aer. Filtrele de grăsimi din aluminiu își pot schimba culoarea pe măsură ce sunt spălate; acest lucru este normal și nu necesită înlocuirea filtrelor de grăsimi din aluminiu.



(Figura 4)

- Împingeți înainte închiderea filtrului de grăsimi din aluminiu.
- Apoi trageți-l ușor în jos și trageți-l afară (Figura 4). În caz contrar, filtrul poate fi îndoit. Spălați și clătiți filtrele de grăsimi din aluminiu cu detergent lichid și înlocuiți filtrele de grăsimi din aluminiu, efectuând pașii specificați mai sus în ordine inversă. Acest filtru reține particulele de ulei din aer.



Puteți spăla filtrele de grăsimi din aluminiu în mașina de spălat vase.

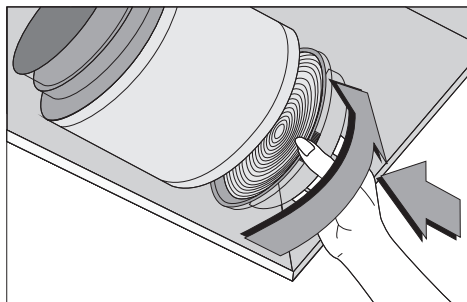


ATENȚIE: În caz de utilizare normală, curățați filtrul o dată pe lună.

4 Curățare și întreținere

4.2 Înlocuirea filtrelor de carbon

Filtrele de îndepărtare a mirosului conțin cărbune (carbon activ). Indiferent dacă este utilizat sau nu un filtru de cărbune, trebuie instalate filtrele de grăsimi.



(Figura 5)

- Scoateți filtrul de grăsimi din aluminiu (Figura 4).
- Pentru a scoate filtrul de carbon, scoateți filtrul de carbon din carcasă rotindu-l în sens anti orar de pe clapetă (Figura 5).
- Instalați noul filtru de carbon.
- Instalați filtrul de grăsimi din aluminiu.

ATENȚIE



- Filtrul de carbon nu trebuie spălat niciodată.
- Înlocuiți filtrele de carbon o dată la 3 luni.
- Puteți obține filtrul de carbon de la vânzătorii autorizați.

5 Instalarea aparatului



AVERTIZARE: Înainte de a începe instalarea, citiți informațiile de siguranță din Manualul utilizatorului.

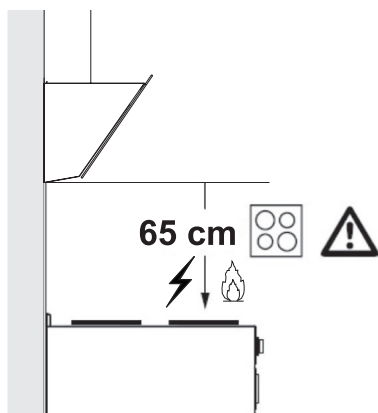


AVERTIZARE: Neinstalarea cu șuruburi și stabilizatori în conformitate cu aceste instrucțiuni poate duce la electrocutare.

Pentru instalarea hotei, vă rugăm să contactați cel mai apropiat serviciu autorizat.

Este responsabilitatea clientului să pregătească locația și instalarea electrică a hotei.

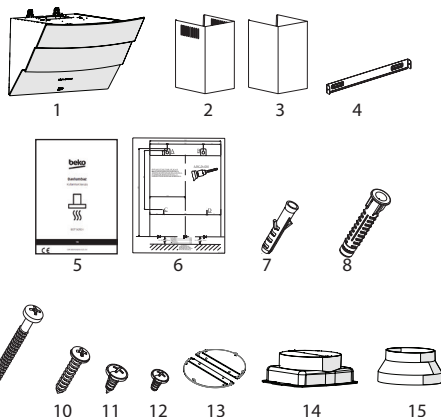
5.1 Poziția aparatului



(Figura 6)

- Distanța dintre aragaz și hotă trebuie luată în considerare înainte de asamblare. Această distanță trebuie să fie de 65 cm (Figura 6).
- Distanța trebuie măsurată de la suprafața grătarului pentru aragazuri pe gaz, de la suprafața sticlei pentru aragazuri electrice.

5.2 Accesorii de instalare



1. Produsul
2. Burlan interior
3. Burlan exterior
4. Placă de legătură burlan
5. Manual de utilizare
6. Schema de instalare
7. 2x dibluri din plastic \varnothing 6 mm
8. 4x dibluri din plastic \varnothing 8 mm
9. 4x șuruburi de montare pe perete 4,8x50
10. 2x 3,9x22 șuruburi pentru placa de conexiune la tubul de evacuare
11. 4x 3,5x9,5 șuruburi pentru conexiune la tubul de evacuare
12. 2x 3,5x9,5 șurub cu cap țeșit
13. Clemă pentru coș de fum
14. 150mm Adaptor din plastic pentru burlan
15. 150/120 Adaptor din plastic pentru burlan

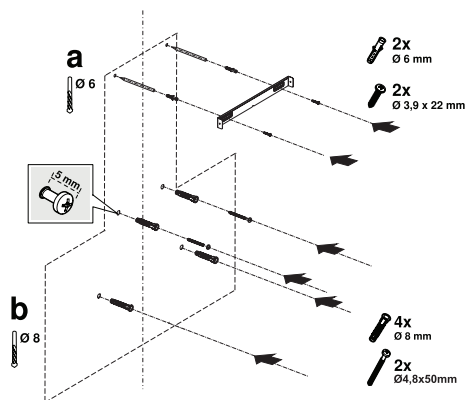
Informațiile necesare pentru a alege locul adecvat pentru instalarea hotei sunt prezentate mai jos.

5.3 Montare pe perete

- Peretele trebuie să fie plat, drept și să aibă o capacitate suficientă de încărcare.
- Adâncimea găurilor trebuie să corespundă cu lungimea șuruburilor.

5 Instalarea aparatului

- Șuruburile și diblurile furnizate sunt potrivite pentru pereți din cărămidă. Pentru alte materiale de construcții (de exemplu, ghips carton, placă, beton poros), se folosesc dibluri și piulițe de fixare adecvate.



(Figura 8)



ATENȚIE: Înainte de găurire, asigurați-vă că nu există conducte de alimentare, gaz sau apă, în imediata apropiere a locațiilor de găurire.

Desenați o linie de mijloc din tavan perpendicular pe marginea inferioară a hotei.

Lipiți șablonul de instalare furnizat în accesoriile de pe suprafața pe care va fi montată hota. La efectuarea acestei operațiuni, respectați înălțimea de montare a hotei (Figura 6).

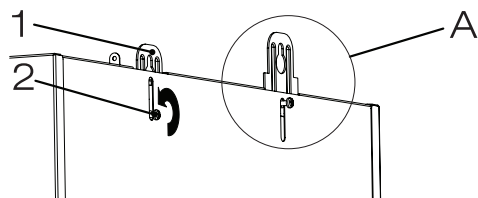
Există o filă în mijlocul plăcii de conexiune a tubului de evacuare. Amplasați punctul de mijloc al acestei file pe linia pe care este trasată perpendicular pe perete. La efectuarea acestei operațiuni, reglați hota în funcție de înălțimea maximă (Figura 1). Marcați orificiile în care placa de conectare a tubului va fi montată cu ajutorul unui creion (Figura 7/a).

Găuriți punctele marcate cu burghiu de Ø6mm și introduceți 2 dibluri de plastic în găurile perforate (Figura 7/a). Fixați placa de conectare a burlanului

pe perete cu șuruburi 3.9x22 (Figura 7/a).

Pentru a asambla corpul hotei, puteți utiliza burghiu de Ø8mm pentru a găuri punctele A, B, C, D pe șablonul de asamblare și introduceți dibluri din plastic de 4,8x50mm în aceste puncte. (Figura 7/b).

2 buc. șurub suspendare 4,8x50, cu un decalaj de 5 mm între capul șurubului și perete (Figura 7/b).



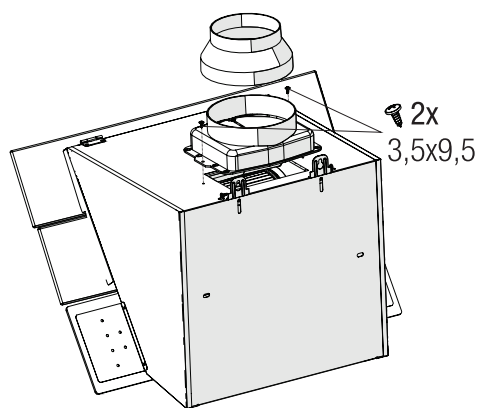
(Figura 8)

1. Placă de agățare

2. Șurub de conexiune placă de agățare

Pentru a vă instala hota pe perete, slăbiți șuruburile de pe plăcile de fixare montate pe cabina motorului și trageți-le în sus, apoi fixați din nou (Figura 8/A).

Porniți sticla de aspirație a hotei și scoateți filtrul de grăsime din aluminiu (Figura 4).

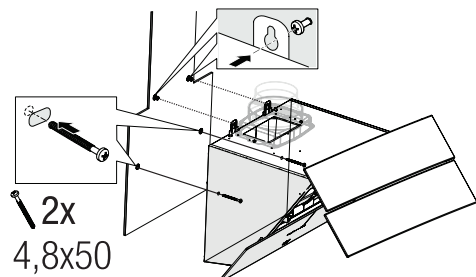


(Figura 9)

Atașați la corpul produsului adaptorul din plastic 150 mm pentru burlan inclus în pachet, cu șu-

5 Instalarea aparatului

ruburile cu cap țeșit 3,5x9,5. Dacă orificiul de evacuare a aerului trebuie conectat la conducta de evacuare a aerului mai mică de 150 mm, instalați adaptorul din plastic pentru burlan de 150/120 mm (Figura 9).

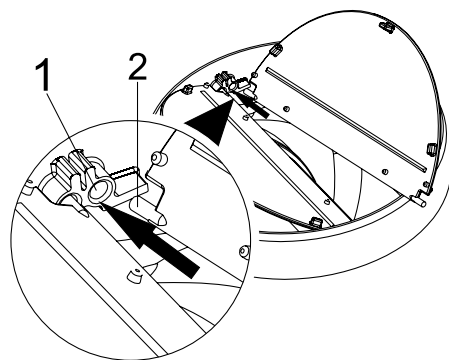


(Figura 10)

Țineți hota de corpul său și puneți-o pe șuruburile de suspendare de pe perete și strângeți șuruburile (Figura 10).

Fixați hota cu două șuruburi de 4.8x50 pe perete prin orificiul de montare din interiorul aparatului (Figura 10).

5.4 Conectarea la burlan



(Figura 11)

1. Mufă știft clapetă
2. Știftul clapetei

Introduceți știftul de plastic (Figura 11/zona nr. 2) pe mufa cu știfturi de pe evacuarea motorului (Figura 11/zona nr. 1). Apoi îndoii ușor clapeta pentru a introduce celălalt știft pe clapetă și introduceți celălalt știft în soclul său (Figura 11).

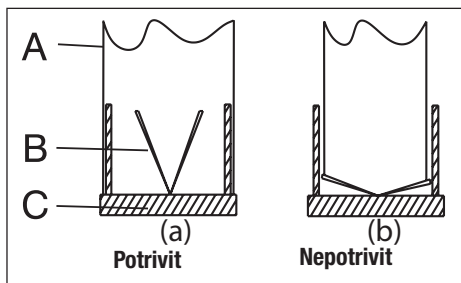
Dacă aveți de gând să utilizați adaptorul din plastic pentru burlan Ø 120/150 mm, conectați un capăt al țevii la acest adaptor, dacă nu aveți de gând să-l utilizați, conectați-l la conducta de evacuare directă a produsului. Conectați celălalt capăt al țevii la burlan. Verificați dacă aceste două conexiuni sunt suficient de strânse pentru a nu ieși atunci când aparatul funcționează la putere maximă. Asigurați-vă că clapetele din interiorul burlanului funcționează atunci când sunt strânse cu clemă. Conectați conducta de conectare a burlanului în afara adaptorului (Figura 12/a). Dacă conducta de conectare este montată în interiorul adaptorului, aspirația aerului nu se realizează, deoarece clapeta burlanului care împiedică revenirea aerului va rămâne închisă (Figura 12/b). Lungimea conductei de conectare, precum și numărul de coturi trebuie să fie cât mai mici posibil.

A: Țeavă de ieșire a burlanului

B: Cleme burlan

C: Burlan din plastic

Supapele sunt închise, apoi aparatul nu funcționează și împiedică pătrunderea în interior a mirosurilor și prafului din exterior.



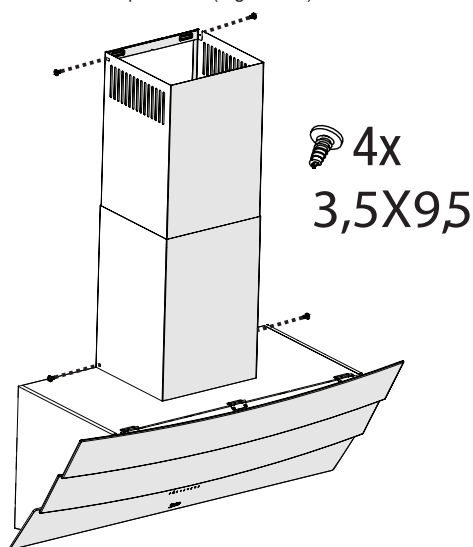
(Figura 12)

5 Instalarea aparatului

5.5 Instalarea hotei la burlan

Realizați conexiunea electrică a hotei dumneavoastră înainte de a începe instalarea burlanului. Glisați plăcile burlanului în jurul corpului. Înșurubați burlanul pe plăcile de fixare a burlanului, acestea sunt disponibile pe cabina motorului. (Figura 13).

Instalați placa burlanului pe placa de fixare a acestuia, care este fixată pe perete de la marginile sale exterioare superioare (Figura 13).



(Figura 13)

5.6 Depozitarea

- Dacă nu doriți să utilizați produsul pentru o perioadă lungă de timp, depozitați-l cu grijă.
- Asigurați-vă că aparatul este scos din priză, răcit și uscat complet.
- Depozitați produsul într-o loc uscat și răcoros.
- Păstrați produsul într-un loc inaccesibil copiilor.

5.7 Manipulare și transport

- În timpul manipulării și transportului, transportați aparatul în ambalajul original. Ambalajul aparatului îl protejează împotriva daunelor fizice.
- Nu puneți sarcini grele pe aparat sau pe ambalaj. Aparatul poate fi deteriorat.
- Scăderea aparatului îl va face nefuncțional sau va provoca daune permanente.

6 Depanare

Depanare	Cauză principală	Ajutor
Aparatul nu funcționează.	Verificați siguranțele	Siguranța poate fi arsă, inspectați-o și restabiliți-o.
Aparatul nu funcționează.	Verificați conexiunea electrică.	Tensiunea rețelei trebuie să fie cuprinsă între 220 și 240 V.
Aparatul nu funcționează.	Verificați conexiunea electrică.	Verificați dacă alte aparate din bucătărie funcționează.
Lampa de iluminat nu funcționează.	Verificați conexiunea electrică.	Tensiunea rețelei trebuie să fie cuprinsă între 220 și 240 V.
Lampa de iluminat nu funcționează.	Inspectați comutatorul lămpii.	Întreprupătorul lămpii trebuie să fie în poziția „on” (pornit).
Lampa de iluminat nu funcționează.	Inspectați becurile.	Lămpile aparatului se aprind.
Admisia de aer a aparatului este inadecvată.	Inspectați filtrul din aluminiu.	În condiții normale de funcționare, filtrul de grăsimi din aluminiu trebuie curățat cel puțin o dată pe lună.
Admisia de aer a aparatului este inadecvată.	Verificați conducta de evacuare a aerului.	Conducta de evacuare a aerului trebuie să fie în poziția „on” (pornit).
Admisia de aer a aparatului este inadecvată.	Inspectați filtrul de carbon.	Filtrele aparatelor cu filtre de carbon se înlocuiesc o dată la 3 luni, în condiții normale.



CERTIFICAT DE GARANȚIE

Tensiune de alimentare/frecvență: 220-240V~, 50-60Hz
Importator: ARCTIC S.A., Găești, Dâmbovița, str. 13 Decembrie nr. 210, email: office@arctic.ro

TIP: Aragaz Cuptor încorporabil Plită încorporabilă Hotă

Model / Serie:.....

VĂNZĂTOR

Nr. factură:.....Data:

Vânzător (firma, localitatea):

CUMPĂRĂTOR

NumeLocalitatea

Str.Nr.BlocSc.Et.Ap.

Județ TelefonE-mail

S-a efectuat proba de funcționare a aparatului, s-a prezentat modul de folosire, s-au predat instrucțiunile de utilizare și toate accesoriile. Am primit aparatul în perfectă stare de funcționare.

Stimați clienți,

La cumpărare vă recomandăm să solicitați efectuarea probei de funcționare și să verificați existența instrucțiunilor de utilizare și a accesoriilor.

Pentru a putea beneficia de toate avantajele produselor și serviciilor noastre vă rugăm:

- să citiți cu atenție și să respectați recomandările prezentate în "Instrucțiunile de utilizare".
- să păstrați cu grijă acest certificat pentru a-l putea prezenta (împreună cu documentul fiscal de achiziție), personalului SERVICE, la orice sesizare efectuată în perioada de garanție.

Vă mulțumim că ați optat pentru cumpărarea unui produs Beko!

Durata medie de utilizare a produsului este de 10 ani!

Perioada de garanție legală de conformitate este de 2 ani de la intrarea produsului în posesia consumatorului.

Art. 22, alin. 3-6, din L449/2003, modificata de OG 9/2016:

- (3) Timpul de nefuncționare din cauza lipsei de conformitate apărute în cadrul termenului de garanție prelungeste termenul de garanție legală de conformitate și curge, după caz, din momentul la care a fost adusă la cunoștință vânzătorului lipsa de conformitate a produsului sau din momentul prezentării produsului la vânzător/unitatea de service până la aducerea produsului în stare de utilizare normală și, respectiv, al notificării în scris în vederea ridicării produsului sau predării efective a produsului către consumator.
- (4) Produsele de folosință îndelungată care înlocuiesc produsele defecte în cadrul termenului de garanție vor beneficia de un nou termen de garanție care curge de la data preschimbării produsului.
- (5) Produsele de folosință îndelungată defectate în termenul de garanție legală de conformitate, atunci când nu pot fi reparate sau când durata cumulată de nefuncționare din cauza deficiențelor apărute în termenul de garanție legală de conformitate depășește 10% din durata acestui termen, la cererea consumatorului, vor fi înlocuite de vânzător sau acesta va restitui consumatorului contravaloarea produsului respectiv.
- (6) Termenul de garanție curge de la data intrării bunului respectiv în posesia consumatorului, inclusiv pentru bunurile noi de folosință îndelungată, obținute prin tragere la sorți la tombole, câștigate la concursuri și similare sau acordate cu reducere de preț ori gratuit de către operatorii economici.

Garanția oferită de producător nu exclude garanția de vicii ascuns, conform OG 21/1992 (R2) privind protecția consumatorului și Codul Civil.



Service-ul acestui produs este asigurat de ARCTIC S.A. cu sediul în Găești, Dâmbovița, str. 13 Decembrie nr. 210. • *9010 • www.arctic.ro • www.beko.ro • e-mail: service@arctic.ro
Program Call Center: Luni - Vineri 08:30 - 20:00; Sâmbătă 08:30 - 17:00

UNITĂȚILE SERVICE ALE ARCTIC S.A. EXECUTĂ REPARAȚII ÎN TERMENUL DE GARANȚIE ȘI ÎN AFARA ACESTUIA

Nr. crt.	Data Reclamației	Data primirii în reparație	Reparat			Reparația curentă și/sau componenta înlocuită	Prelungirea termenului de garanție	Efectuarea verificării	
			Programat	Data ridicării aparatului	Cauza întârzierii			SERVICE	CLIENT

CONDIȚII DE GARANȚIE LEGALĂ DE CONFORMITATE:

Pentru orice defecțiune apărută în perioada de garanție sau post-garanție, apălați la magazinul de unde a fost achiziționat produsul sau direct la Call Center Arctic.

Prelungirea termenului de garanție se va înscrie în certificatul de garanție de către unitatea SERVICE care a efectuat reparația.

Garanția acoperă reparația și/sau înlocuirea pieselor constatate ca defecte (necauzate de consumator) de către tehnicienii Service.

Termenul de realizare a operațiilor de reparare, înlocuire sau întreținere este de 15 zile calendaristice de la data la care cumpărătorul a sesizat defecțiunea la magazinul de unde a achiziționat produsul sau direct la Call Center Arctic.

Reclamațiile referitoare la aspectele prevăzute mai jos, se rezolvă numai contra cost:

- a) nefuncționarea lămpilor de iluminare;
- b) accesoriile care nu au defecte ascunse de material constatate de tehnicienii Service;
- c) piesele și accesoriile care prezintă lovitură, zgârieturi, spărturi sau deformări.

PRODUSUL NU BENEFICIAZĂ DE GARANȚIE LEGALĂ DE CONFORMITATE ÎN URMĂTOARELE CAZURI:

1. Nu a fost respectate instrucțiunile de transport, manipulare, instalare, utilizare și întreținere prescise.
2. Subansamblurile și accesoriile casabile care se deteriorează în timpul transportului vor fi înlocuite de vânzător (în cazul în care asigură transportul).
3. Garanția nu se acordă subsansamblelor și accesoriilor casabile ale produselor care suferă deteriorări din vina consumatorului.
4. Tensiunea de alimentare are valori care nu se încadrează în limitele prevăzute de standarde (SREN 50160).
5. Instalația electrică a utilizatorului prezintă improvizații sau neconformități.
6. Produsul a fost folosit în alte scopuri decât cel pentru care a fost proiectat.
7. Produsul a suportat intervenții (reparații, modificări) din partea unor persoane neautorizate de producător.

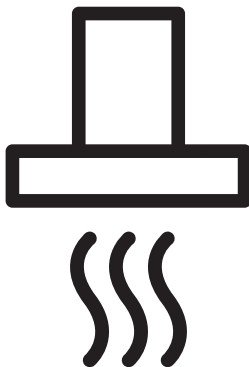
Drepturile consumatorului sunt cele prevăzute în Legea 449/2003 (republicată) și OG 21/1992 (republicată).

În cadrul acestui proces, Arctic vă prelucrează date cu caracter personal, cu respectarea legilor aplicabile privind confidențialitatea și protecția datelor. Pentru informații complete despre modul în care vă prelucreăm datele, precum și despre drepturile dumneavoastră, vă rugăm să consultați secțiunea "Protecția datelor personale", accesând site-ul nostru la adresa <https://www.beko.ro/>.



Вытяжка

Руководство пользователя



HCA62640B - HCA62640W

RU



01M-8848063200-3922-09
01M-8848053200-3922-09

Ознакомьтесь с этим руководством перед началом эксплуатации!

Уважаемый покупатель!

Благодарим Вас за выбор этого изделия компании Веко. Мы надеемся, что продукция, изготовленная на современном оборудовании и имеющая высокий уровень качества, будет служить вам наилучшим образом. Для этого, перед началом эксплуатации, внимательно прочтите данное руководство и все прочие сопроводительные документы, и используйте их в дальнейшем в справочных целях. При передаче устройства другому лицу необходимо также передать это руководство. Соблюдайте указания, которые даны в этом руководстве пользователя, и обращайтесь особое внимание на справочные пометки и предупреждения.

Имейте в виду, что данное руководство пользователя может также относиться к другим моделям. Различия между моделями четко описаны в руководстве.

Условные обозначения

В разных разделах данного руководства пользователя используются следующие символы:



Важная информация и полезные советы относительно эксплуатации.



ВНИМАНИЕ: Предупреждения об опасности травмирования или повреждения имущества.



Предупреждение об опасности возникновения пожара.



Предупреждение об опасности поражения электрическим током.



ПЕРЕРАБОТАННАЯ И
ПЕРЕРАБАТЫВАЕМАЯ
БУМАГА

1.1. Общие правила техники безопасности

Важные инструкции по технике безопасности: внимательно ознакомьтесь и сохраните для дальнейшего использования. В этом разделе содержатся правила техники безопасности, соблюдение которых позволит исключить риск возникновения пожара, поражения электрическим током, воздействия утечек микроволнового излучения, получения иных травм или причинения материального ущерба. При несоблюдении этих правил все гарантийные обязательства аннулируются.

- Изделия торговой марки Веко соответствуют действующим стандартам безопасности. В случае повреждения электроприбора или шнура питания, во избежание

опасных ситуаций, ремонт или замена должны производиться дилером, сервисным центром, специалистом или авторизованной службой. Неправильно или непрофессионально выполненные ремонтные работы могут привести к опасным для пользователя ситуациям.

- Этот прибор предназначен только для бытового и сходного с ним применения, а именно:
 - в кухонных зонах для персонала в магазинах, офисах и других рабочих помещениях;
 - на фермах;
 - в номерах гостиниц, мотелей и т. п.;
 - в помещениях, предоставляемых для проживания на условиях полупансиона.
- Используйте данный электроприбор только

по его прямому назначению, как описано в данном руководстве.

- Производитель не несет ответственности за любые повреждения, возникшие в результате неправильного использования или неправильной установки изделия.
- Дети старше 8 лет, а также лица с ограниченными физическими, сенсорными и умственными способностями или без соответствующих навыков и опыта могут использовать данный прибор только под присмотром или после получения инструкций по поводу безопасного использования прибора и осознания связанных с этим опасностей.
- Не позволяйте детям играть с прибором. Не позволяйте детям самостоятельно выполнять очистку и обслуживание прибора.
- Минимальное расстояние между опорной поверхностью емкостей для приготовления пищи на варочной панели и самой нижней частью изделия должно быть не менее 65 см.
- Если в инструкции по установке газовой плиты указано большее расстояние, это следует принять во внимание.
- Напряжение сети питания должно соответствовать номинальным характеристикам, указанным на паспортной табличке электроприбора.
- Ни в коем случае не пользуйтесь электроприбором, если шнур питания или электроприбор повреждены.
- Во избежание повреждения шнура питания не допускайте его сдавливания, перегиба

или контакта с острыми кромками. Не допускайте соприкосновения шнура питания с горячими поверхностями или открытым пламенем.

- Включайте прибор только в розетку с заземляющим контактом.

ВНИМАНИЕ: Не подключайте прибор к электросети до полного завершения работ по установке.

- Электроприбор следует располагать таким образом, чтобы штепсельная вилка была легкодоступна.
- Не прикасайтесь к лампам, если они работали в течение длительного времени. Это может вызвать ожог рук, поскольку лампы очень горячие.
- Следуйте инструкциям, установленным компетентными органами относительно выпуска

отработанного воздуха (данное предупреждение касается вентиляционных труб).

- Включите прибор после того, как поставите кастрюлю, сковороду и т. д. на варочную панель. В противном случае высокая температура может привести к деформации некоторых частей изделия.
- Отключайте варочную панель перед тем, как убрать с нее кастрюлю, сковороду и т.д.
- Не оставляйте горячее масло на варочной панели. Сковорода с горячим маслом может стать причиной самовозгорания.
- Следите за шторами и занавесками, поскольку при приготовлении таких блюд, как картофель фри масло может загореться.

- Замену жироулавливателя следует осуществлять, как минимум, раз в месяц. Замену угольного фильтра осуществлять, как минимум, раз в 3 месяца.
- Чистку изделия необходимо выполнять в соответствии с инструкциями руководства пользователя. Если чистка изделия не осуществляется в соответствии с указаниями руководства пользователя, существует риск возникновения пожара.
- Не используйте неогнеупорные фильтрующие материалы вместо текущего фильтра.
- Используйте только оригинальные детали или же рекомендованные производителем детали.
- Не эксплуатируйте изделие без фильтра и не снимайте фильтры во время работы изделия.
- В случае возникновения пожара, отключите питание изделия и кухонной плиты.
- В случае возникновения пожара, накройте источник огня. Применение воды для тушения не допускается.
- Отключайте прибор от электросети перед чисткой, а также когда он не используется.
- Отрицательное давление окружающей среды не должно превышать 4 Па (4 x 10 бар) во время одновременной работы вытяжки для электрической варочной панели и приборов, работающих от другого источника энергии.
- В среде, где используется прибор, выхлопные газы устройств, работающих на жидком топливе или газе, таких как комнатный обогрева-

1 Важные инструкции по технике безопасности и защите окружающей среды

тель, должны быть полностью изолированы, или должны быть герметичными.

- При подсоединении к вытяжной трубе, используйте трубы диаметром 120 или 150 мм. Соединения труб должны быть как можно более короткими и иметь минимальное количество колен.

- Существует опасность удушья! Храните упаковочные материалы в недоступном для детей месте.

О С Т О Р О Ж Н О : Доступные детали прибора могут нагреваться во время использования кухонных плит.

- Выход вытяжки нельзя подключать в воздуховодам, которые заняты отводом других отработанных воздушных масс.
- Вентиляция в помещении может быть недо-

статочной в случае, если вытяжка для электрической варочной панели используется одновременно с устройствами, работающими на газе или других видах топлива (это не относится к приборам, которые только выпускают воздух обратно в помещение).

- Находящиеся на изделии предметы могут упасть. Не следует класть посторонние предметы на вытяжку.
- Фламбирование блюд под изделием не допускается.

ВНИМАНИЕ: Перед началом работ по установке вытяжки удалите защитную пленку.

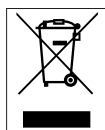
- Никогда не оставляйте открытым высокое пламя под работающей вытяжкой.

1 Важные инструкции по технике безопасности и защите окружающей среды

- Во время использования фритюрниц их необходимо держать под постоянным присмотром: сильно нагретое масло может загореться.

1.2 Соответствие Директиве по утилизации отходов электрического и электронного оборудования и утилизация продукта:

Данное изделие соответствует требованиям Директивы по утилизации отходов электрического и электронного оборудования (2012/19/ЕС). На изделие нанесено условное обозначение для отходов электрического и электронного оборудования (WEEE).



Этот символ означает, что по истечении срока службы данного прибора, он не должен утилизироваться вместе с другими бытовыми отходами. Бывшее в употреблении устройство необходимо сдать в официальный пункт сбора для утилизации электрического и электронного оборудования. Для получения информации о таких пунктах сбора, пожалуйста, свяжитесь с местными органами власти или розничной торговли, по месту покупки настоящего прибора. В вопросах восстановления и утилизации бывших в употреблении приборов каждый конкретный владелец играет важную роль. Надлежащая утилизация использованного бывшего в употреблении прибора помогает предот-

вратить потенциальные негативные последствия для окружающей среды и здоровья человека.

1.3 Соответствие Директиве ЕС по ограничению использования вредных веществ

Приобретенное вами изделие соответствует требованиям Директивы ЕС по ограничению использования вредных веществ (2011/65/ЕС). Устройство не содержит указанных в Директиве вредных веществ и запрещенных материалов.

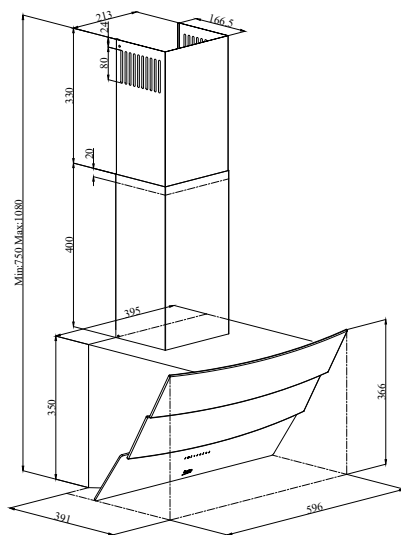
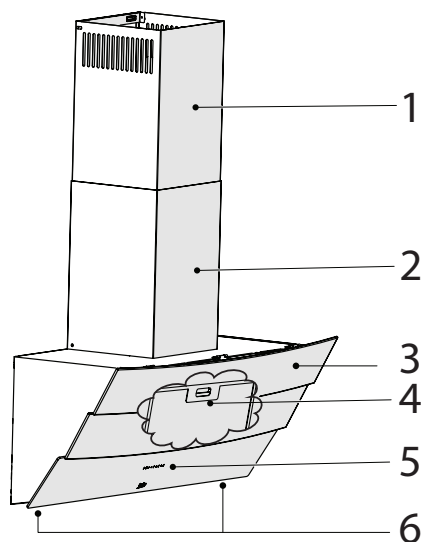
1.4. Информация об упаковке



Упаковочные материалы изделия изготовлены из вторичного сырья, в соответствии с государственными законами об охране окружающей среды. Не выбрасывайте упаковочные материалы вместе с бытовыми или другими отходами. Отнесите их в пункты приема упаковочных материалов, организованные местными органами власти.

2 Общий Вид

2.1 Обзор



(Рисунок 1)

1. Внутренний дымоход
2. Внешний дымоход
3. Корпус
4. Алюминиевый жировой фильтр (За стеклянной крышкой)
5. Панель управления
6. Освещение

2.2 Технические Данные

Модель	HCA62640B	HCA62640W
Напряжение питания	220-240 В ~ 50 Гц	
Мощность лампы	2x3 Вт	
Мощность двигателя	210 W	
Поток - 3. Уровень	582 м³/ч	
Класс изоляции мотора	Класс F	
Класс изоляции	Класс I	

3 Эксплуатация устройства

3.1 Управление Устройством

	
КНОПКА	НАЗНАЧЕНИЕ
A : Вкл / Выкл освещения	Вы можете осветить зону приготовления, нажав эту кнопку. При повторном нажатии данной кнопки лампа выключается.
B : 1. Кнопка ступени	Включает прибор на 1-й скорости. При повторном нажатии этой кнопки для выключения прибора уровень скорости экрана отключается.
C : 2. Кнопка ступени	Включает прибор на 2-й скорости. При повторном нажатии этой кнопки для выключения прибора уровень скорости экрана отключается.
D : 3. Кнопка ступени	Включает прибор на 3-й скорости. При повторном нажатии этой кнопки для выключения прибора уровень скорости экрана отключается.

3.2 Эффективное использование с точки зрения энергосбережения

- При использовании вытяжки для экономии электроэнергии устанавливайте скорость в соответствии с интенсивностью образования пара или запаха.
- В обычных условиях используйте низкие скорости (1-2), а при интенсивном образовании пара и запаха – высокую (3).
- Лампы на вытяжке предназначены для освещения места готовки.
- Их использование для освещения помещения приведет к чрезмерному потреблению электроэнергии и будет недостаточным.
- Чтобы устройство потребляло меньше энергии, запустите его на низкой скорости.
- Ваше устройство снизит энергопотребление, так как оно будет работать более эффективно, когда вы обеспечите достаточный забор воздуха.
- Установите устройство на интенсивный уровень мощности всасывания перед образованием пара в тех случаях, когда вы знаете, что будет плотный пар. Таким образом, вы уменьшаете энергопотребление, используя свое устройство в течение более короткого времени, поскольку оно будет иметь достаточно эффективный воздухозаборник.
- Держите крышки посуды закрытыми, чтобы уменьшить выделение пара.

3 Эксплуатация устройства

3.3 Эксплуатация кухонной вытяжки

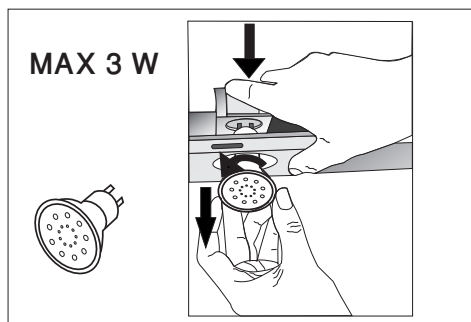
- В вытяжке имеется мотор, работающий на разных скоростях.
- Для лучшей производительности мы рекомендуем использовать низкие скорости в нормальных условиях и высокие скорости в случае сильного запаха и интенсивного пара.
- Вы можете запустить прибор, нажав кнопку желаемой скорости. (B,C,D)
- Вы можете осветить зону приготовления, нажав на лампу. (A)

3.4 Автоматический останов

В вашем приборе есть функция автоматической остановки, которая позволяет ему проветривать еще немного и удалять нежелательные запахи и пар из окружающей среды, а также автоматически выключаться после завершения приготовления. Чтобы включить функцию автоматической остановки, нажмите кнопку любой ступени скорости (B, C, D) на панели управления и удерживайте более 2 секунд, после этого активируется функция 15-минутного таймера. Когда функция автоматической остановки активна, нажатие той же кнопки скорости отключает функцию автоматической остановки, и двигатель устройства останавливается. Эта функция отключается при переключении между различными ступенями скорости.

Если вы хотите, чтобы прибор останавливался автоматически, вам необходимо снова включить функцию автоматической остановки.

3.5 Замена ламп



(Рисунок 3)

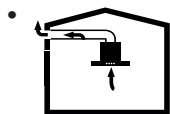
Выполните электрические подключения устройства. В вашем приборе используется точечная светодиодная лампа мощностью 3 Вт. Для замены ламп нажмите на держатель вниз, поверните его против часовой стрелки и вытащите его. Выполните описанную выше операцию в обратном порядке, чтобы установить новые лампы (Рисунок 3).

Лампочка	
Мощность лампочки	3 Вт
Держатель / Гнездо	GZ 10
Напряжение лампочки	220 - 240 В
Размер	53x50 мм
Код ILCOS	DR/F3-220-240-GZ10-50-53
Световой поток	260 lm
Коррелированная цветовая температура	3000 K

Этот продукт содержит источник света класса энергоэффективности «F».

3 Эксплуатация устройства

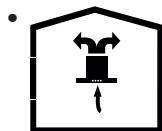
3.6 Работа с подключением к дымоходу



Пар выводится через дымоход, который крепится к соединительной головке вытяжки.

- Диаметр дымохода должен быть таким же, как у соединительного кольца. В горизонтальном положении труба должна иметь небольшой наклон вверх (около 10°), чтобы воздух мог легко выходить из комнаты.

3.7 Работа без подключения к дымоходу



Воздух фильтруется через угольный фильтр и рециркулирует в помещении. Угольный фильтр при-

меняется, когда в доме нельзя использовать дымоход.

- При использовании без дымохода снимите заслонки внутри переходника дымохода.
- Снимите алюминиевый жировой фильтр. Чтобы установить угольный фильтр, прикрепите фильтр к выступам, центрируя его на пластиковом элементе с обеих сторон корпуса вентилятора. Затяните, повернув вправо или влево.
- Заменить алюминиевый жировой фильтр.

4 Очистка и уход

Устройство следует регулярно чистить и обслуживать. Неподдержание устройства в чистоте отрицательно повлияет на срок службы устройства. Для очистки и технического обслуживания следуйте инструкциям, изложенным в руководстве.



Отключите устройство от сети или выключите соединения перед чисткой и техническим обслуживанием.

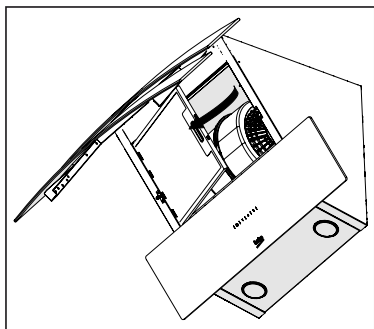


Несоблюдение положений, связанных с очисткой устройства и заменой фильтров, может привести к риску возгорания. Поэтому рекомендуется следовать приведенным здесь рекомендациям. Производитель не несет ответственности за повреждения двигателя или возгорания, возникшие в результате неправильного использования.

4 Очистка и уход

4.1 Очистка алюминиевого жирулавливающего фильтра

Этот фильтр задерживает частицы масла из воздуха. Алюминиевый жирулавливающий фильтр может изменить цвет при мытье, это нормально и не требует замены алюминиевого жирулавливающего фильтра.



(Рисунок 4)

- Выдвиньте затвор алюминиевого масляного фильтра вперед.
- Затем слегка потяните вниз и вытащите (Рисунок 4). Иначе вы можете искривить фильтр. Вымойте и прополоскайте алюминиевые жировые фильтры жидким моющим средством и замените фильтры в их гнездах, выполнив действия, указанные выше, в обратном порядке. Этот фильтр задерживает частицы масла из воздуха.



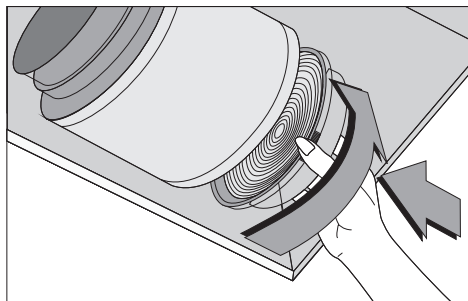
Алюминиевые масляные фильтры можно мыть в посудомоечной машине.



ВНИМАНИЕ: В случае нормальной эксплуатации очищайте фильтр один раз в месяц.

4.2 Замена угольного фильтра

Фильтры для удаления запахов содержат древесный уголь (активированный уголь). Угольные фильтры должны устанавливаться в изделие независимо от того, будут они использоваться или нет.



(Рисунок 5)

- Снимите алюминиевый жировой фильтр (Рисунок 4).
- Для того, чтобы снять угольный фильтр, изымите его из корпуса, повернув против часовой стрелки от таблички (Рисунок 5).
- Установите новый угольный фильтр.
- Установите алюминиевый жировой фильтр.

ВНИМАНИЕ



- Запрещено мыть угольные фильтры.
- Заменяйте угольные фильтры каждые 3 месяца.
- Вы можете приобрести угольный фильтр в авторизованных сервисах.

5 Установка изделия



ПРЕДУПРЕЖДЕНИЕ:

Перед началом установки прочтите информацию по безопасности в Руководстве пользователя.



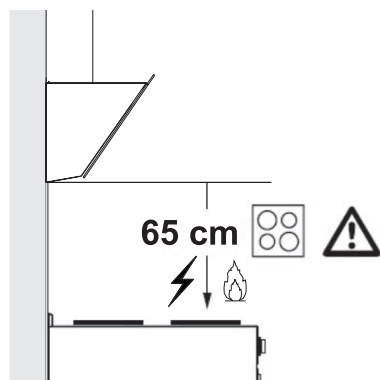
ПРЕДУПРЕЖДЕНИЕ:

Несоблюдение инструкций по установке с помощью винтов и стабилизаторов может привести к поражению электрическим током.

По вопросам установки вытяжки обращайтесь в ближайший авторизованный сервисный центр.

Заказчик несет ответственность за подготовку места и электрического монтажа вытяжки.

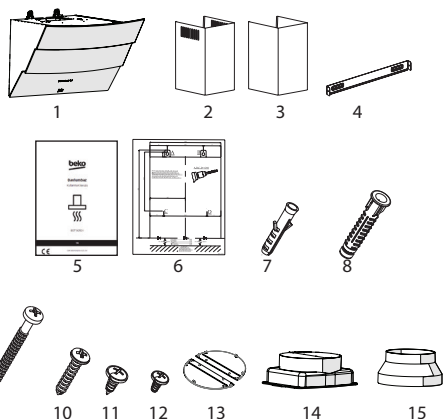
5.1 Положение изделия



(Рис. 6)

- Перед сборкой необходимо учитывать расстояние между плитой и вытяжкой. Это расстояние должно составлять 65 см (Рисунок 6).
- Расстояние необходимо измерять от поверхности решетки для газовых плит, от поверхности стекла для электрических плит.

5.2 Аксессуары для установки



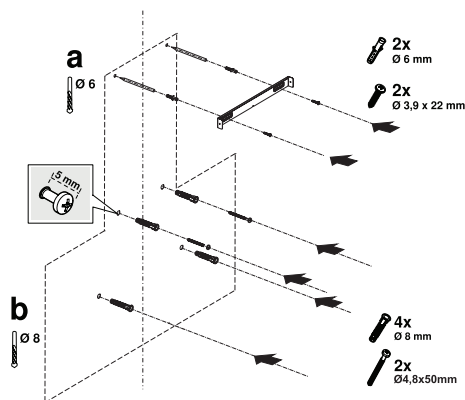
1. Прибор
2. Внутренний дымоход
3. Внешний дымоход
4. Соединительная пластина вытяжной трубы
5. Руководство по эксплуатации
6. Схема сборки
7. Дюбель пластмассовый 2x Ø6mm
- 8.4 x Дюбель пластмассовый Ø8 мм
- 9.4 x Винт для настенного монтажа 4.8x50
10. Соединительный винт для вытяжной трубы 2x 3.9x22
11. 4x 3.5x9.5 Соединительный винт дымохода
12. Тупоконечный винт 2x 3,5x9,5
13. зажим дымохода
14. Пластиковый переходник для дымохода 150 мм
15. Пластиковый переходник для дымохода 150/120 мм

Информация, необходимая для выбора места, подходящего для установки вытяжки, представлена ниже.

5 Установка изделия

5.3 Настенное крепление

- Стена должна быть плоской, прямой и иметь достаточную несущую способность.
- Длина отверстий для сверления должна соответствовать длине болтов.
- Винты и дюбели, поставляемые с изделием, подходят для кирпичных стен. При установке на стенах из других строительных материалов (например, гипсокартона, плиты, пористого бетона) следует использовать подходящие крепежные дюбели и гайки.



(Рис. 7)

ВНИМАНИЕ: Перед началом сверления убедитесь, что в непосредственной близости от мест сверления нет электрических кабелей, газовых или водопроводных труб.

Нарисуйте среднюю линию от потолка перпендикулярно нижнему краю. Вставьте шаблон установки, поставляемый с продуктом, на поверхность,

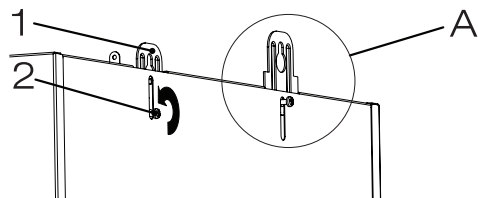
на которой должен быть установлен продукт. При выполнении этой операции соблюдайте монтажную высоту вытяжки (Рисунок 6).

Посередине соединительной пластины дымохода имеется язычок. Поместите среднюю точку данного язычка на линию, которая нарисована перпендикулярно стене. Выполняя эту операцию, отрегулируйте вытяжку по максимальной высоте (Рисунок 1). Отметьте отверстия, где будет установлена соединительная пластина дымохода, с помощью ручки (Рисунок 7/a).

Просверлите отмеченные точки Ø6 мм сверлом и вставьте 2 пластиковых штифта в просверленные отверстия (Рисунок 7/a). Прикрепите соединительную пластину дымохода к стене с помощью 3,9x22 винтов (Рисунок 7/a).

Чтобы собрать корпус вытяжки, вы можете использовать сверло Ø8 мм, чтобы просверлить точки А, В, С, D на сборочном шаблоне, и вставить в эти точки пластиковые дюбели 4,8x50 мм. (Рисунок 7/b).

2 шт. 4,8x50 подвесного винта с 5 мм зазором между головкой винта и стеной (Рисунок 7/b).



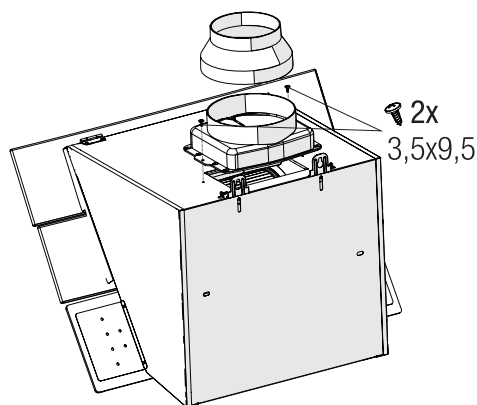
(Рисунок 8)

1. Пластина для подвешивания
2. Соединительный винт подвесной пластины

5 Установка изделия

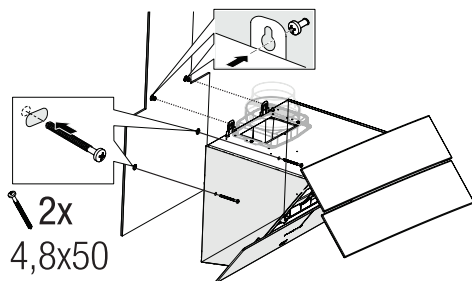
Чтобы прикрепить вытяжку к стене, ослабьте винты на подвесных пластинах, установленных на кабине двигателя, и потяните их вверх, а затем снова закрепите (Рисунок 8/А).

Включите всасывающее стекло вытяжки и снимите алюминиевый жироулавливающий фильтр (Рисунок 4).



(Рисунок 9)

Прикрепите 150-миллиметровый пластиковый переходник для дымохода, входящий в комплект, к корпусу изделия с помощью винтов с тупым концом 3,5x9,5. Если воздуховыпускное отверстие должно быть подсоединено к воздуховоду диаметром менее 150 мм, установите пластиковый переходник для дымохода 150/120 мм (Рисунок 9).

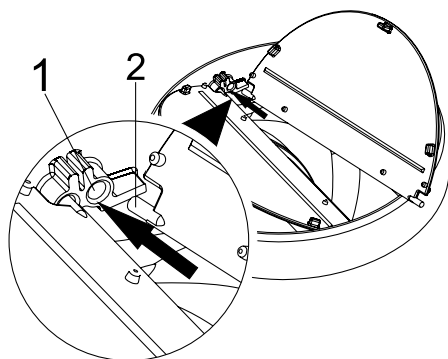


(Рисунок 10)

Удерживая изделие за корпус, поместите его на винты для подвешивания на стене и затяните винты (Рисунок 10).

Закрепите вытяжку 2 шурупами 4.8x50 к стене через монтажное отверстие внутри прибора (Рисунок 10).

5.4 Подключение к дымоходу



(Рисунок 11)

1. Гнездо с откидной крышкой
2. Заслонка

Вставьте пластиковый штифт (Рисунок 11/область № 2) в гнездо для штифта на выхлопе двигателя (Рисунок 11/область № 1). Затем слегка согните заслонку, чтобы вставить другой штифт в заслонку, и вставьте другой штифт в его гнездо (Рисунок

5 Установка изделия

11).

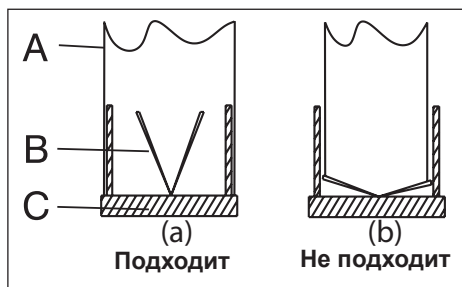
Если вы собираетесь использовать пластиковый переходник для дымохода $\varnothing 120/150$ мм, подсоедините один конец трубы к этому переходнику, если вы не собираетесь его использовать, к прямому выходу на изделие. Подключите другой конец трубы к дымоходу. Убедитесь, что эти два соединения достаточно тугие, чтобы они не выскочили, когда прибор будет работать на полную мощность. Убедитесь, что створки внутри дымохода работают при затяжке зажимом. Подсоедините соединительный канал дымохода за пределами адаптера (Рисунок 12/a). Если соединительный канал расположен внутри адаптера, всасывание воздуха не должно происходить, так как заслонка дымохода, препятствующая возврату воздуха, будет оставаться закрытой (Рисунок 12/b). Длина трубы, а также количество колен трубы должны быть минимальными.

A : Труба выхода дымохода

B : Зажимы дымохода

C : Пластиковый дымоход

Клапаны закрыты, значит прибор не работает, и предотвращают попадание внутрь возможного запаха извне и пыли.

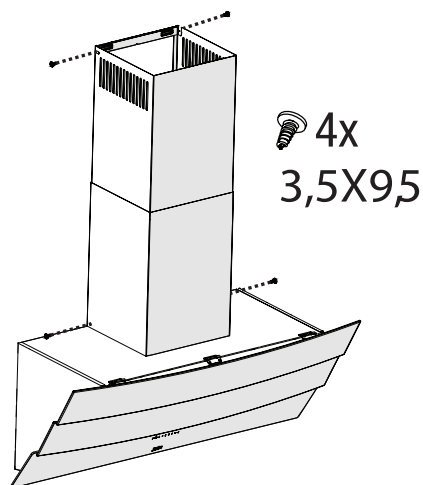


(Рис. 12)

5.5 Установка вытяжки на дымоход

Подключите вытяжку к электросети перед установкой дымохода. Наденьте пластины дымохода на корпус. Прикрутите дымоход к крепежным пластинам дымохода на моторной кабине. (Рисунок 13).

Установите пластину дымохода на крепежную пластину дымохода, которая крепится к стене с ее верхних внешних краев (Рисунок 13).



(Рис. 13)

5 Установка изделия

5.6 Хранение

- Если вы не планируете использовать электроприбор в течение длительного времени, то его следует хранить надлежащим образом.
- Убедитесь, что электроприбор отключен от электросети, остыл, а его поверхности полностью сухие.
- Хранить прибор следует в сухом прохладном месте.
- Храните устройство в недоступном для детей месте.

5.7 Обращение и транспортировка

- Во время обработки и транспортировки переносите прибор в оригинальной упаковке.
- Упаковка устройства защищает его от физических повреждений.
- Не кладите тяжелые грузы на прибор или упаковку. Возможно повреждение прибора.

6 Устранение неисправностей

Устранение неисправностей	Основная причина	Помощь
Устройство не работает.	Проверить предохранители.	Возможно перегорел предохранитель, проверьте и восстановите его.
Устройство не работает.	Проверьте электрическое соединение.	Напряжение в сети должно быть от 220 до 240 В.
Устройство не работает.	Проверьте электрическое соединение.	Убедитесь, что на вашей кухне работает другой прибор.
Лампа освещения не работает.	Проверьте электрическое соединение.	Напряжение в сети должно быть от 220 до 240 В.
Лампа освещения не работает.	Проверьте выключатель лампы.	Выключатель лампы должен находиться в положении "Вкл".
Лампа освещения не работает.	Проверьте лампы.	Лампы прибора должны гореть.
Неправильное поступление воздуха в прибор.	Осмотрите алюминиевый фильтр.	При нормальных условиях эксплуатации алюминиевый жирославливающий фильтр необходимо очищать не реже одного раза в месяц.
Неправильное поступление воздуха в прибор.	Проверить вытяжную трубу.	Вытяжная труба должна находиться в положении «Вкл».
Неправильное поступление воздуха в прибор.	Проверьте угольный фильтр.	Фильтры приборов с угольными фильтрами при нормальных условиях следует заменять один раз в 3 месяца.

Действует только на территории РФ / Valid for Russian Federation only

beiko

ГАРАНТИЯ 2 ГОДА

Адрес: 109004, Россия, Москва, ул. Станиславского, д21, стр 1. <http://www.beiko.ru>
Телефон горячей линии 8-800-200-23-56 (Звонок бесплатный на всей территории России)

Гарантийный талон серия **RUS №** []

Модель

Серийный номер

Дата продажи

Компания

Подпись продавца

ПЕЧАТЬ

Дата установки

Компания

Подпись мастера

ПЕЧАТЬ

Покупатель Телефон
Фамилия, Имя, Отчество

Изделие проверялось в присутствии покупателя;

Покупатель с условиями гарантии ознакомлен
Подпись Покупателя



Отрывные купоны гарантийного талона являются средством отчетности о выполнении сервисным центром гарантийных работ. Купон изымается из гарантийного талона после удовлетворения Ваших претензий.

beiko

серия **RUS №** []

Дата продажи

ПЕЧАТЬ
МАГАЗИНА

3

ГАРАНТИЯ 2 ГОДА

beiko

серия **RUS №** []

Дата продажи

ПЕЧАТЬ
МАГАЗИНА

2

ГАРАНТИЯ 2 ГОДА

beiko

серия **RUS №** []

Дата продажи

ПЕЧАТЬ
МАГАЗИНА

1

ГАРАНТИЯ 2 ГОДА

Производитель: “Arçelik A.S.”
Karaağaç Caddesi No: 2-6 Sütlüce, 34445, Турция

Сделано в Китае

Импортер на территории РФ: ООО «БЕКО»
Юридический адрес: 601021 Россия, Владимирская обл., Киржачский р-н,
дер. Федоровское, ул. Сельская, д. 49

Дата производства включена в серийный номер продукта, указанный на этикетке, расположенной на продукте, а именно:

первые две цифры серийного номера обозначают год производства, а последние две – месяц.

Например, «10-100001-05» обозначает, что продукт произведен в мае 2010 года.

Najskôr si prečítajte túto používateľskú príručku!

Vážený zákazník,

Ďakujeme vám, že ste si vybrali tento spotrebič značky Beko. Dúfame, že s týmto spotrebičom, ktorý bol vyrobený vo vysokej kvalite a s najmodernejšími technológiami, dosiahnete tie najlepšie výsledky. Z tohto dôvodu si pred použitím spotrebiča pozorne prečítajte celú túto používateľskú príručku a všetky ostatné sprievodné dokumenty a uschovajte ich pre prípad potreby do budúcnosti. Ak dáte spotrebič niekomu inému, dajte mu tiež používateľskú príručku. Postupujte podľa pokynov a venujte pozornosť všetkým informáciám a varovaniám v používateľskej príručke.

Pamätajte, že sa táto používateľská príručka môže vzťahovať aj na iné modely. Rozdiely medzi modelmi budú v príručke výslovne popísané.

Význam symbolov

V rôznych častiach tejto používateľskej príručky sú použité nasledujúce symboly:



Dôležité informácie a užitočné tipy na použitie.



VAROVANIE: Upozornenia na nebezpečné situácie týkajúce sa ohrozenia života a majetku.



VAROVANIE: Upozornenia na nebezpečenstvo požiaru.



VAROVANIE: Varovanie pred zásahom elektrickým prúdom.



RECYKLOVANÝ A
RECYKLOVATEĽNÝ
PAPIER

1 Dôležité pokyny týkajúce sa bezpečnosti a životného prostredia

1.1 Všeobecná bezpečnosť

Dôležité bezpečnostné pokyny: Dôkladne si ich prečítajte a uschovejte pre nahliadnutie v budúcnosti. Táto časť obsahuje bezpečnostné pokyny, ktoré pomôžu ochrániť pred zranením osôb, poškodením majetku, vznikom požiaru alebo pred zásahom elektrickým prúdom. Nedodržanie týchto pokynov zruší platnosť akejkoľvek záruky.

- Produkty Beko spĺňajú platné bezpečnostné štandardy. V prípade akéhokoľvek poškodenia spotrebiča alebo napájacieho kábla musí byť oprava alebo výmena vykonaná predajcom, servisným centrom alebo odborníkom z autorizovaného servisu, aby sa predišlo akémukoľvek nebezpečenstvu. Chybná alebo neodborná oprava môže pre užívateľa predstavovať nebezpečenstvo a riziko.
- Tento spotrebič je určený len na použitie v domácnostiach a podobných prostrediach, ako sú napríklad:

- kuchynky pre zamestnancov v obchodoch, kanceláriách a iných pracovných prostrediach,
- budovy na farmách,
- priestory pre klientov v hoteloch, motelloch a ďalších obytných prostrediach,
- prostredia ubytovania typu Bed and Breakfast.
- Spotrebič používajte iba na určený účel, ako je popísané v tomto návode.
- Výrobca nenesie žiadnu zodpovednosť za žiadne škody spôsobené nesprávnou alebo nevhodnou inštaláciou alebo nevhodným používaním produktu.
- Tento spotrebič môžu používať deti staršie ako 8 rokov a osoby so zníženými fyzickými, vnemovými alebo mentálnymi schopnosťami, prípadne nedostatkom skúseností a vedomostí, pokiaľ sú počas prevádzky spotrebiča pod náležitým dozorom alebo sú im dané inštrukcie o bezpečnom používaní spotrebiča a sú si vedomí sprievodných rizík.

1 Dôležité pokyny týkajúce sa bezpečnosti a životného prostredia

- Deťom nesmie byť dovolené hrať sa so spotrebičom. Deti bez dozoru nesmú vykonávať čistenie ani používateľskú údržbu.
 - Minimálna vzdialenosť medzi varnými plochami sporáka a najnižšou časťou odsávača musí byť najmenej 65 cm.
 - Ak sa v pokynoch pre plynový sporák uvádza väčšia vzdialenosť, musíte ju zohľadniť.
 - Skontrolujte, či vaše napájanie zodpovedá informáciám uvedeným na štítku spotrebiča.
 - Nikdy nepoužívajte spotrebič, ak je napájací kábel alebo samotný spotrebič poškodený.
 - Zabráňte poškodeniu napájacieho kábla tým, že zabránite jeho pritlačeniu, ohýbaniu alebo odieraniu sa o ostré hrany. Napájací kábel udržiavajte mimo horúcich povrchov a otvoreného ohňa.
 - Spotrebič zapájajte iba do uzemnenej zásuvky.
 - Spotrebič umiestnite tak, aby bola zástrčka vždy prístupná.
 - Nedotýkajte sa lúčov, ak boli v prevádzke po dlhý čas. Keďže sú horúce, mohli by ste si popáliť ruky.
 - Dodržiavajte predpisy vydané kompetentnými úradmi týkajúce sa vypúšťania odsávaného vzduchu (toto neplatí pre použitie bez dymovodu).
 - Váš spotrebič spustíte len vtedy, ak je na varnej doske hrniec, panvica atď. V opačnom prípade môže teplo spôsobiť deformáciu niektorých častí vášho spotrebiča.
 - Varnú dosku vypnite pred tým, ako z nej zložíte hrniec, panvicu a pod.
 - Na varnej doske nenechávajte horúci olej. Panvice s horúcim olejom môžu zapríčiniť samovznietenie.
 - Dávajte pozor na závesy a prikrývky, keďže by olej pri tepelnej úprave mohol vzbĺknuť, napr. pri smažení.
- VAROVANIE:** Spotrebič nepripájajte k elektrickej sieti, kým úplne nedokončíte inštaláciu.

1 Dôležité pokyny týkajúce sa bezpečnosti a životného prostredia

- Filter mastnoty sa musí vymieňať aspoň raz mesačne. Uhlíkový filter sa musí vymieňať aspoň každé 3 mesiace.
- Spotrebič musí byť čistený v súlade s používateľskou príručkou. Ak čistenie nebolo vykonané v súlade s používateľskou príručkou, môže hroziť nebezpečenstvo požiaru.
- Súčasné filtre nenahrádzajte materiálmi, ktoré nie sú ohňovzdorné.
- Používajte len originálne časti odporúčané výrobcom.
- Spotrebič nespúšťajte bez filtra a filtre nevyberajte počas prevádzky spotrebiča.
- V prípade, ak sa na spotrebiči objavia plamene, odpojte spotrebič aj zariadenia určené na varenie od elektrickej siete.
- V prípade vzniku ohňa zakryte plamene a nikdy nepoužívajte vodné hasiace prístroje.
- Spotrebič odpojte pred každým čistením a v prípade, že ho nepoužívate.
- Negatívny tlak prostredia by nemal presiahnuť 4 Pa (4 x 10 bar), pokiaľ je digestor pre elektrickú varnú dosku v prevádzke súčasne so spotrebičmi fungujúcimi na inom type energie.
- V prostredí, kde je tento spotrebič používaný, musia byť výfuky zariadení fungujúcich na palivách, ako je olej alebo plyn, napr. izbové vykurovacie telesá, úplne oddelené alebo tieto zariadenia musia byť hermetického typu.
- Pri montáži dymovodu použite potrubie s priemerom 120 mm alebo 150 mm. Pripojenie cez potrubie musí byť čo najkratšie a mať čo najmenej kolien.

Nebezpečenstvo udusení!

Všetky obaly uchovajte mimo dosahu detí.

VÝSTRAHA: Prístupné časti sa počas súčasného používania so spotrebičmi na varenie môžu zahriať.

- Výfuk spotrebiča nesmie byť nájedený na vzduchové potrubia, ktoré obsahujú iný dym.

1 Dôležité pokyny týkajúce sa bezpečnosti a životného prostredia

- Vetranie miestnosti môže byť nedostatočné, ak sa digestor pre elektrické varné dosky používa súčasne so zariadeniami využívajúcimi plyn alebo iné palivá (toto sa nevzťahuje na zariadenia, ktoré vypúšťajú vzduch späť do tej istej miestnosti).
- Predmety položené na spotrebič môžu spadnúť. Na spotrebič nekladte žiadne predmety.
- Pod spotrebičom neflambujte.

VAROVANIE: Pred inštaláciou digestora odstráňte ochranné fólie.

- Počas prevádzky pod digestorom nikdy nenechávajte vysoké priame plamene.
- Fritézy sa musia počas používania nepretržite monitorovať: prehriaty olej môže vzplanúť.

1.2 Súlad so smernicou o OEEZ a likvidácia vyradeného produktu:

Tento výrobok je v súlade so smernicou o OEEZ. (2012/19/EU). Tento výrobok je označený klasifikačným symbolom pre odpad z elektrických a elektronických zariadení (OEEZ).



Tento symbol znamená to, že tento výrobok sa na konci jeho životnosti nesmie likvidovať spolu s iným domácim odpadom.

Použitú spotrebiče sa musia odovzdať na oficiálnych zberných miestach na recykláciu elektrických a elektronických zariadení. Obráťte sa na miestne úrady alebo na predajcu, u ktorého ste si výrobok zakúpili, a informujte sa o umiestnení zberných zariadení. Každá domácnosť zohráva dôležitú úlohu v obnove a recyklácii starých spotrebičov. Správna likvidácia starého spotrebiča pomáha predísť možným negatívnym následkom pre životné prostredie a ľudské zdravie.

1.3 Súlad so smernicou RoHS

Výrobok, ktorý ste si zakúpili, vyhovuje smernici EÚ RoHS (2011/65/EÚ). Neobsahuje škodlivé ani zakázané materiály špecifikované v tejto smernici.

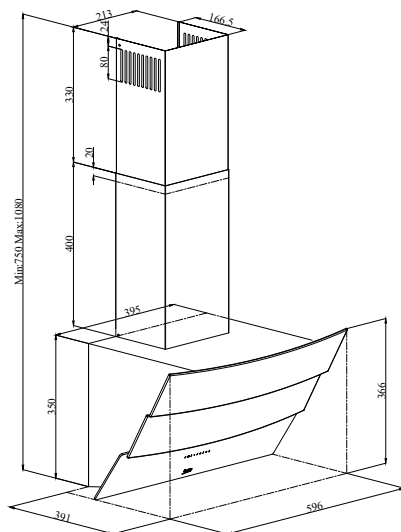
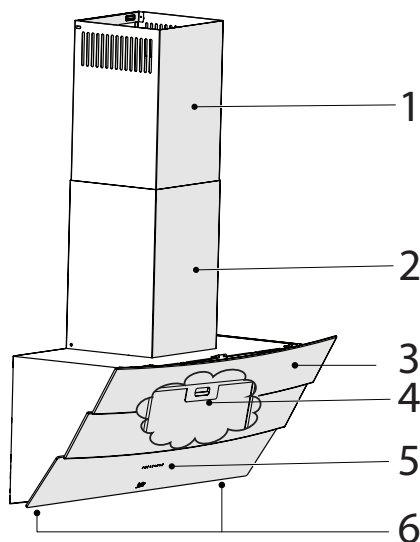
1.4 Informácie o balení



Obalové materiály tohto výrobku sú vyrobené z recyklovateľných materiálov v súlade s našimi Národnými environmentálnymi predpismi. Baliaci materiál nelikvidujte spolu s domovým odpadom alebo inými druhmi odpadu. Odneste ich na zberné miesto baliaceho materiálu, určené miestnymi úradmi.

2 Všeobecný vzhľad

2.1 Prehľad



(Obrázok č. 1)

1. Vnútrotný dymovod
2. Vonkajší dymovod
3. Telo
4. Hliníkový tukový filter (Za skleneným krytom)
5. Kontrolný panel
6. Osvetlenie

2.2 Technické údaje

Model	HCA62640B	HCA62640W
Napájacie napätie	220-240V ~ 50 Hz	
Napájanie svetla	2x3 W	
Výkon motora	210 W	
Prietok - 3. Úroveň	582 m ³ /h	
Trieda izolácie motora	Trieda F	
Izolačná trieda	Trieda I	

3 Prevádzka spotrebiča

3.1 Ovládanie zariadenia

	
KEY	FUNKCIE
A : Zapnutie/vypnutie svetla	Stlačením tohto tlačidla môžete osvietiť varnú oblasť. Pre vypnutie lampy stlačte tlačidlo znovu.
B : 1. Tlačidlo etapy	Prevádzkuje spotrebič pri prvej rýchlosti. Po opätovnom stlačení tohto tlačidla prístroj vypnete, stupeň rýchlosti obrazovky sa vypne.
C : 2. Tlačidlo etapy	Prevádzkuje spotrebič pri druhej rýchlosti. Po opätovnom stlačení tohto tlačidla prístroj vypnete, stupeň rýchlosti obrazovky sa vypne.
D : 3. Tlačidlo etapy	Prevádzkuje spotrebič pri tretej rýchlosti. Po opätovnom stlačení tohto tlačidla prístroj vypnete, stupeň rýchlosti obrazovky sa vypne.

3.2 Efektívne využitie z hľadiska Úspory energie

- Pri používaní spotrebiča, upravte nastavenie rýchlosti podľa intenzity pary a zápachov, z dôvodu šetrenia energie.
- Používajte nízku rýchlosť (1-2) za obvyklých podmienok a vysokú rýchlosť (3) pri intenzívnom zápachu a pary.
- Lampy na odsávači sú umiestnené pre osvetlenie priestoru na varenie.
- Ich používanie na osvetlenie priestoru bude viesť k zbytočným výdavkom energie a k nedostatočnému osvetleniu.
- Ak chcete, aby zariadenie spotrebovalo menej energie, spúšťajte ho pri nízkych otáčkach.
- Vaše zariadenie zníži spotrebu energie, pretože bude pracovať efektívnejšie, keď mu zabezpečíte dostatočný prívod vzduchu.
- V prípadoch, keď viete, že dôjde k vytvoreniu hustej pary, nastavte zariadenie na úroveň intenzívneho sacieho výkonu pred vznikom pary. Spotrebu energie tak znížite tým, že zariadenie budete používať kratší čas, pretože bude mať dostatočný prívod vzduchu.
- Pokrievky riadu nechajte zakryté, aby ste znížili vývin pary.

3.3 Ovládanie Odsávača pár

- Váš spotrebič obsahuje motor, ktorý má premenlivú rýchlosť.
- Pre lepšiu výkonnosť odporúčame používať nízke rýchlosti za normálnych podmienok a vysoké rýchlosti v prípade silných zápachov a intenzívnych výparov.
- Spotrebič môžete spustiť stlačením tlačidla požadovaného nastavenia rýchlosti. (B,C,D)
- Varnú zónu môžete osvetliť stlačením lampy. (A)

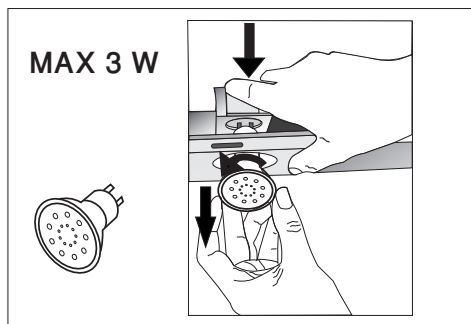
3 Prevádzka spotrebiča

3.4 Automatické zastavenie

Váš prístroj má funkciu automatického zastavenia, ktorá umožňuje trochu vetrať a odstrániť nežiaduce pachy a pary vo vnútri prostredia a po ukončení varenia sa automaticky vypne. Ak chcete povoliť funkciu automatického zastavenia, stlačte ľubovoľné tlačidlo rýchlostného stupňa (B, C, D) na ovládacom paneli dlhšie ako 2 sekundy; aktivuje sa funkcia 15-minútového časovača. Ak je funkcia automatického zastavenia aktívna, stlačením toho istého tlačidla rýchlosti sa deaktivuje funkcia automatického zastavenia a motor spotrebiča sa zastaví. Táto funkcia je vypnutá, keď prepínate medzi rôznymi stupňami rýchlosti.

Ak chcete, aby sa zariadenie zastavilo automaticky, musíte znova povoliť funkciu automatického zastavenia.

3.5 Výmena žiaroviek



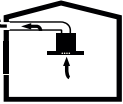
(Obrázok č. 3)

Vykonajte elektrické pripojenie spotrebiča. Váš spotrebič používa bodové LED svetlo 3W. Pri výmene žiaroviek zatlačte držiak smerom dozadu, otočte ho proti smeru hodinových ručičiek a vyberte ho smerom dole. Použite vyššie uvedenú operáciu dozadu a nainštalujte nové žiarovky (obrázok 3).

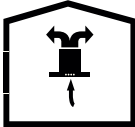
Žiarovka	
Výkon žiarovky	3 W
Držiak / zásuvka	GZ 10
Napätie žiarovky	220 - 240 V
Veľkosť	53x50 mm
ILCOS kód	DR/F3-220-240-GZ10-50-53
Svetelný tok	260 lm
Súvisiaca teplota farby	3000 K

Tento výrobok obsahuje svetelný zdroj triedy energetickej účinnosti "F".

3.6 Prevádzka s komínom

-  Para sa odvádza cez komínové potrubie, ktoré je pripojené k pripojovacej hlave na odsávači pár.
- Priemer komína musí byť rovnaký ako spojovací krúžok. V horizontálnych nastaveniach musí mať potrubie mierny sklon nahor (okolo 10 °), aby mohol vzduch ľahko unikať z miestnosti.

3.7 Prevádzka bez komína

-  Vzduch sa filtruje cez uhlíkový filter a recirkuluje v miestnosti. Uhlíkový filter sa používa, keď nie je možné v dome použiť komín.
- Pri bezprúdovom používaní odstráňte klapky vo vnútri komínového adaptéra.
- Odstráňte hliníkové tukové kazety. Ak chcete nainštalovať uhlíkový filter, nasadte filter na úchytky centrovaním na plastový kus na oboch stranách tela ventilátora. Dotiahnite ho otočením doprava alebo doľava.
- Vymeňte hliníkový tukový filter.

4 Čistenie a údržba

Zariadenie by sa malo pravidelne čistiť a udržiavať. Ak nebudete zariadenie udržiavať v čistote, bude to mať negatívny vplyv na životnosť zariadenia. Pri čistení a údržbe postupujte podľa pokynov uvedených v príručke.



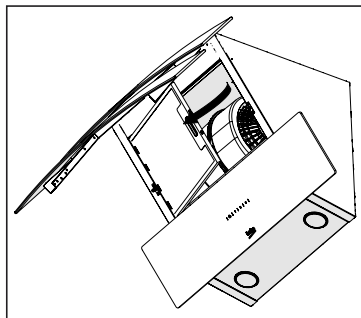
Pred čistením a údržbou výrobok odpojte alebo vypnite vypínač.



Nedodržanie ustanovení týkajúcich sa čistenia zariadenia a výmeny filtrov môže mať za následok riziko požiaru. Preto sa odporúča dodržiavať tu uvedené pokyny. Výrobca nezodpovedá za poškodenie motora alebo za požiare vzniknuté v dôsledku nesprávneho použitia.

4.1 Čistenie hliníkových tukových filtrov

Tento filter zadržiava častice oleja zo vzduchu. Hliníkové tukové filtre môžu pri umývaní zmeniť farbu; je to normálne a nevyžaduje výmenu hliníkových tukových filtrov.



(Obrázok č. 4)

- Hliníkový tukový filter zatlačte dopredu.
- Potom ho mierne potiahnite a vytiahnite (Obrázok 4). V opačnom prípade môžete filter ohnúť. Hliníkové tukové filtre umyte a opláchnite tekutým čistiacim prostriedkom a vráťte hliníkové

tukové filtre do svojich uložení vykonaním vyššie uvedených krokov v opačnom poradí. Tento filter zadržiava častice oleja zo vzduchu.



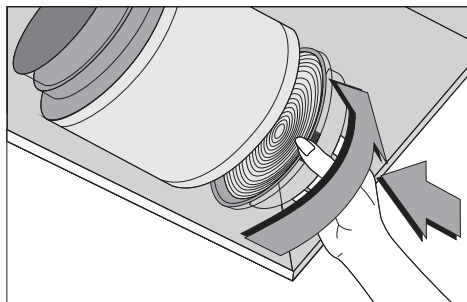
Hliníkové tukové filtre môžete umývať v umývačke riadu



VÝSTRAHA: V prípade normálneho používania vyčistite filter raz za mesiac.

4.2 Výmena uhlíkových filtrov

Filtre na odstraňovanie zápachu obsahujú aktívne uhlie (aktívny karbón). V produkte musí byť inštalovaný tukový filter, bez ohľadu na to, či sú alebo nie sú používané filtre s aktívnym uhlím.



(Obrázok č. 5)

- Odstráňte hliníkové tukové filtre (Obrázok č. 4).
- Ak chcete vybrať uhlíkový filter, vyberte uhlíkový filter z jeho krytu jeho otočením proti smeru hodinových ručičiek z úchytky (Obrázok č. 5).
- Nainštalujte nový uhlíkový filter.
- Inštalácia hliníkového tukového filtra.

VÝSTRAHA



- Uhlíkový filter sa nesmie nikdy umývať.
- Vymeňte uhlíkové filtre raz za 3 mesiace.
- Uhlíkový filter môžete získať od autorizovaných servisov.

5 Inštalácia Spotrebiča



UPOZORNENIE: Pred začatím inštalácie si prečítajte bezpečnostné pokyny v používateľskej príručke.

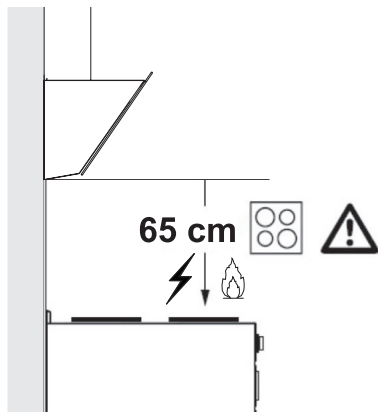


UPOZORNENIE: Neinštalovanie skrutiek a stabilizátorov podľa týchto pokynov môže mať za následok úraz elektrickým prúdom.

Ak chcete nainštalovať odsávač pár, kontaktujte najbližšiu autorizovanú službu.

Zákazník je zodpovedný za prípravu umiestnenia a elektrickej inštalácie odsávača pár.

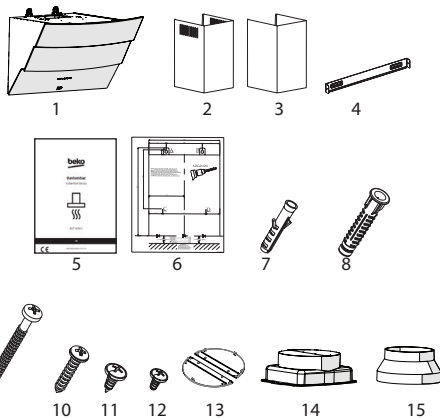
5.1 Pozícia spotrebiča



(Obrázok č. 6)

- Pred zmontovaním zvážte vzdialenosť medzi sporákom a odsávačom. Táto vzdialenosť musí byť aspoň 65 cm (obrázok 6).
- U plynových sporákov sa musí merať vzdialenosť od povrchu mriežky, pre elektrické sporáky od povrchu skla.

5.2 Inštalčné príslušenstvo



1. Výrobok
2. Vnútrotný dymovod
3. Vonkajší dymovod
4. Kominová prípojová doska
5. Návod na použitie
6. Rozmery zostavy
7. 2x Ø6mm Plastová hmoždinka
8. 4x Ø8mm Plastová hmoždinka
9. 4x 4.8x50 Skrutka pre upevnenie na stenu
10. 2x 3.9x22 Skrutka na pripojenie kominovej dosky
11. 4x 3.5x9.5 Skrutka na pripojenie kominá
12. 2x 3.5x9.5 Skrutka s tupým koncom
13. Kominová svorka
14. 150mm Plastový kominový adaptér
15. 150/120 Plastový kominový adaptér

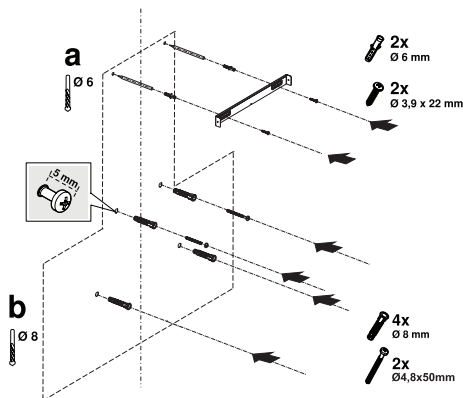
Informácie potrebné pre miesto vhodné miesto na inštaláciu odsávača pár, sú uvedené nižšie.

5.3 Inštalácia spotrebiča na stenu

- Stena musí byť plochý, rovný a musí mať dostatočnú nosnosť.
- Hĺbka navŕtaných otvorov musí byť v súlade s dĺžkou skrutiek.
- Dodané skrutky a hmoždinky sú vhodné pre tehlové steny. Pri ostatných stavebných mate-

5 Inštalácia Spotrebiča

riáloch (napr. sadrokartón, doska, pórobetón) sa použijú vhodné upevňovacie hmoždinky a matice.



(Obrázok č. 7)



VÝSTRAHA: Pred vrtaním sa uistite, že v tesnej blízkosti miest vrtania nie sú rozvody elektriny, plynu alebo vody.

Nakreslite strednú čiaru od stropu kolmo na dolný okraj odsávača.

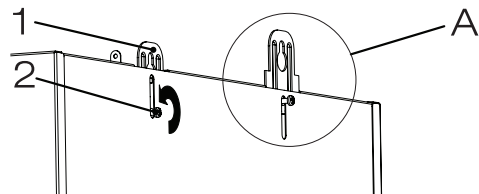
Umiestnite inštaláciu šablónu, ktorá je súčasťou príslušenstva, na povrch, na ktorý sa má odsávač pár namontovať. Pri tejto činnosti dodržujte montážnu výšku odsávača pár (Obrázok č. 6).

Uprostred dosky na pripojenie komína sa nachádza jazýček. Umiestnite stredný bod tejto úchytky na čiaru, ktorá je nakreslená kolmo na stenu. Pri tejto činnosti nastavte odsávač pár podľa maximálnej výšky (Obrázok č. 1). Pomocou pera označte otvory komína, na ktoré sa pripevní doska na odvod vzduchu (Obrázok č. 7/a).

Vyvrtajte označené body vrtákom $\varnothing 6\text{mm}$, do vyvrtaných otvorov vložte dve plastové hmoždinky $\varnothing 6\text{mm}$ (Obrázok č. 7/a). Dosku na pripojenie komína na pripevnite na stenu pomocou skrutiek $3,9 \times 22$ (Obrázok 7/a).

Na zostavenie tela odsávača pár môžete pomocou $\varnothing 8\text{mm}$ vrtáka vyvrtávať body A, B, C, D na montážnej šablóne a do týchto miest vložiť plastové hmoždinky $4,8 \times 50\text{mm}$. (Obrázok č. 7/ b).

2 dielna $4,8 \times 50$ závesná skrutka s vôľou 5mm medzi hlavou skrutky a stenou (obrázok č. 7/b).

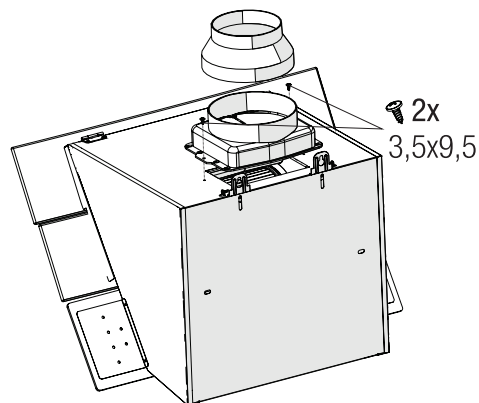


(Obrázok č. 8)

1. Závesná doska
2. Skrutka na pripojenie závesnej dosky

Ak chcete namontovať odsávač pár na stenu, povoľte skrutky na závesných doskách namontovaných na skrinke motora, vyťahnite ich a potom znova pripevnite (Obrázok č. 8/A).

Zapnite nasávacie sklo odsávača pár a vyberte hliníkový tukový filter (Obrázok č. 4).

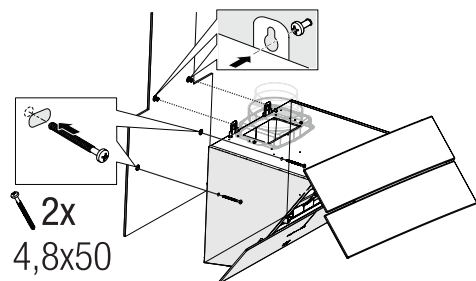


(Obrázok č. 9)

Pripojte 150mm plastový komínový adaptér, ktorý je súčasťou balenia, k telu produktu pomocou $3,5 \times 9,5$ skrutiek s tupými koncami. Ak má byť výstup vzduchu pripojený k výstupnému potrubiu vzduchu

5 Inštalácia Spotrebiča

menšiemu ako 150 mm, nainštalujte 150/120 mm plastový komínový adaptér (obr. 9).

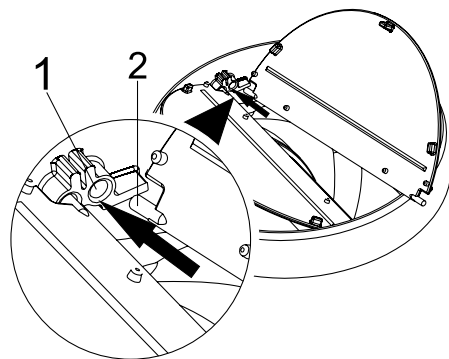


(Obrázok č. 10)

Odsávač pár držte za jeho telo a položte ho na montážne skrutky na stene a utiahnite skrutky (Obrázok č. 10).

Zaistíte odsávač pár pomocou dvoch skrutiek 4,8x50 k stene cez montážny otvor na vnútornej strane spotrebiča (Obrázok č. 10).

5.4 Pripojenie na komín



(Obrázok č. 11)

1. Zástrčka kolíka s klapkou
2. Kolík klapky

Vložte plastový čap (Obrázok č. 11/oblasť č. 2) do kolíkovej zásuvky na výduchu motora (Obrázok č. 11/oblasť č.1). Potom zľahka ohnite klapku, aby ste vložili druhý kolík na klapku a druhý kolík vložte

do jeho zásuvky (Obrázok č. 11).

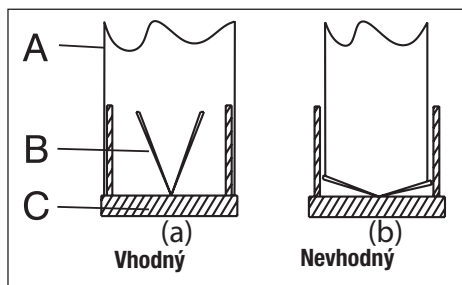
Ak sa chystáte použiť Ø 120/150 mm plastový komínový adaptér, pripojte jeden koniec rúrky k tomuto adaptéru, ak ho nebudete používať, k priamemu výstupu na produkte. Pripojte druhý koniec rúry k vášmu komínu. Skontrolujte, či sú tieto dve spoje dostatočne pevné, aby sa nevysunuli, keď bude prístroj prevádzkovaný na plný výkon. Pri dotiahnutí svorky sa uistite, že klapky vo vnútri komína fungujú. Pripojte potrubie komínového vývodu mimo adaptér (Obrázok 12/a). Ak je spojovací kanál namontovaný vo vnútri adaptéra, nesmie dôjsť k nasávaniu vzduchu, pretože komínová klapka, ktorá bráni spätnému toku vzduchu, zostane zatvorená (obrázok 12/b). Dĺžka spojenia rúr, ako aj počet kolien musí byť čo najmenší.

A: Výstupná rúra pre komín

B: Komínové svorky

C: Plastový komín

Keď sú ventily zatvorené, potom prístroj nefunguje a zabraňuje vniknutiu vonkajšieho pachu a prachu.



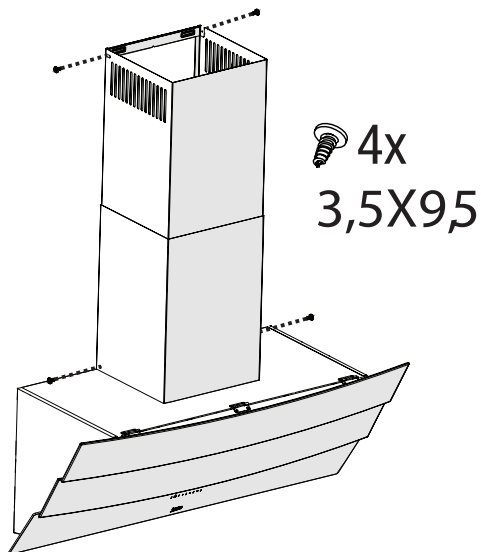
(Obrázok č. 12)

5.5 Inštalácia odsávača do komína

Pred začatím inštalácie komína vykonajte elektrické pripojenie odsávača pár. Nasuňte komínové platne okolo tela odsávača. Zaskrutkujte komín na platne na upevnenie komína, ktoré sú k dispozícii v skrinke motora. (Obrázok č. 13).

5 Inštalácia Spotrebiča

Nainštalujte komín na dosku na upevnenie komína, ktorá je pripevnená k stene z jej horných vonkajších okrajov (Obrázok č. 13).



(Obrázok č. 13)

5.6 Skladovanie

- Ak nechcete spotrebič dlhšiu dobu používať, opatrne ho uložte, prosím.
- Uistite sa, že je spotrebič odpojený od elektrickej siete, vychladený a úplne suchý.
- Spotrebič skladujte na chladnom a suchom mieste.
- Uchovávajte prístroj mimo dosahu detí.

5.7 Zaobchádzanie a preprava

- Počas manipulácie a prepravy majte prístroj v pôvodnom obale. Balenie spotrebiča ho chráni pred fyzickým poškodením.
- Na zariadenie ani na obal nekladte ťažké bremená. Prístroj sa môže poškodiť.
- Pád prístroja môže spôsobiť jeho nefunkčnosť alebo trvalé poškodenie.

6 Odstraňovanie problémov

Odstraňovanie problémov	Príčina	Pomoc
Zariadenie nefunguje.	Skontrolujte svoje poistky.	Poistka môže byť vypálená, skontrolujte a obnovte ju.
Zariadenie nefunguje.	Skontrolujte elektrické pripojenie.	Sieťové napätie musí byť medzi 220 a 240 V.
Zariadenie nefunguje.	Skontrolujte elektrické pripojenie.	Skontrolujte, či vo vašej kuchyni funguje iný spotrebič.
Osvetľovacie svetlo nefunguje.	Skontrolujte elektrické pripojenie.	Sieťové napätie musí byť medzi 220 a 240 V.
Osvetľovacie svetlo nefunguje.	Skontrolujte spínač žiarovky.	Prepínač lampy musí byť v polohe "zapnuté".
Osvetľovacie svetlo nefunguje.	Skontrolujte žiarovky.	Svietidlá zariadenia sa musia rozsvietiť.
Prívod vzduchu do zariadenia nie je dostatočný.	Skontrolujte hliníkový filter.	Za normálnych prevádzkových podmienok sa musí hliníkový filter čistiť najmenej raz za mesiac.
Prívod vzduchu do zariadenia nie je dostatočný.	Skontrolujte vývod vzduchu z komína.	Komín pre odvod vzduchu musí byť v polohe „zapnutý“.
Prívod vzduchu do zariadenia nie je dostatočný.	Skontrolujte uhlíkový filter.	Filtre spotrebičov s uhlíkovými filterami sa za normálnych podmienok vymieňajú raz za každé 3 mesiace.

Najprej preberite priročnik za uporabo!

Spoštovana stranka,

Zahvaljujemo se vam, da ste se odločili za nakup izdelka Beko. Upamo, da boste dosegli najboljše rezultate vašega aparata, ki je bil izdelan z visoko kakovostjo in najsodobnejšo tehnologijo. Zaradi tega pred uporabo naprave natančno preberite celoten uporabniški priročnik in vse druge priložene dokumente in jih shranite kot referenco za nadaljnjo uporabo. Če napravo predate komu drugemu, mu predajte še uporabniški priročnik. Upoštevajte navodila ter vse informacije in opozorila v uporabniškem priročniku.

Ne pozabite, da lahko ta uporabniški priročnik velja tudi za druge modele. Razlike med posameznimi modeli so natančno navedene v priročniku.

Pomen Simbolov

Naslednji simboli so uporabljeni v različnih razdelkih tega uporabniškega priročnika:



Pomembne informacije in koristni nasveti za uporabo.



OPOZORILO: Opozorila pred nevarnimi situacijami, ki zadevajo varnost življenja in premoženja.



OPOZORILO: Opozorilo za nevarnost požara



OPOZORILO: Opozorilo za električni udar.



RECIKLIRANI PAPIR in
PAPIR ZA RECIKLIRANJE

1 Pomembna navodila za varnost in okolje

1.1 Splošna varnost

Pomembna varnostna navodila
Pozorno preberite in hranite za referenco v prihodnje. Ta razdelek vsebuje varnostna navodila, ki vam bodo pomagala zaščititi pred nevarnostjo požara, električnega udara, izpostavljenosti mikrovalovne energije, osebnih poškodb ali materialne škode. Neupoštevanje teh navodil lahko razveljavi kakršno koli garancijo.

- Beko izdelki ustrezajo veljavnim varnostnim standardom; v primeru kakršnih koli poškodb na napravi ali napajalnem kablu, jih mora popraviti ali zamenjati prodajalec, servisni center ali specialist in pooblaščen servis, da se izognete kakršni koli nevarnosti. Neustrezna ali nekvalificirana popravila so lahko nevarna in povzročijo tveganje za uporabnika.
- Ta aparat je namenjen za uporabo v gospodinjstvih in podobnih aplikacijah, kot so:
 - Kuhinjske površine osebja v trgovinah, pisarnah in drugih delovnih okoljih;
 - Kmečke hiše
 - Stranke v hotelih in drugih stanovanjskih okoljih;
 - Garni hoteli.
- Napravo uporabljajte samo za predvideni namen, kot je opisano v tem priročniku.
- Proizvajalec ne more biti odgovoren za škodo, nastalo zaradi nepravilne namestitve ali zlorabe izdelka.
- Otroci od 8. leta starosti ter osebe z zmanjšanimi telesnimi, zaznavnimi ali duševnimi sposobnostmi ali s pomanjkanjem izkušenj in znanja lahko napravo uporabljajo le, če so pod nadzorom ali pa so prejele ustrezna navodila glede varne uporabe naprave in razumejo nevarnosti, ki so povezane z njeno uporabo.
- Otroci se ne smejo igrati z napravo. Čiščenje in vzdrževanje uporabnikov ne smejo izvajati otroci brez nadzora.
- Najmanjša razdalja med podporno površino kuhalnih plošč na kuhalni plošči in najnižjim delom izdelka mora biti najmanj 65 cm.

1 Pomembna navodila za varnost in okolje

- Če navodila za vgradnjo plinske kuhalne plošče določajo večjo razdaljo, je to treba upoštevati.
 - Prepričajte se, da vaše napajalno omrežje ustreza podatkom, navedenim na tipski plošči naprave.
 - Naprave nikoli ne uporabljajte, če sta električni kabel ali naprava poškodovana.
 - Preprečite poškodbe napajalnega kabla, tako da ga ne stisnete, upognete ali drgnete po ostrih robovih. Električni kabel hranite stran od vročih površin in odprtega ognja.
 - Napravo uporabljajte samo z ozemljeno vtičnico.
- OPOZORILO:** Naprave ne priključujte na električno omrežje, dokler namestitev ni popolnoma končana.
- Napravo namestite tako, da je vtič vedno dostopen.
 - Ne dotikajte se svetilk, če so že dolgo obratovala. Lahko vam opečejo roke, saj bodo vroče.
 - Upoštevajte predpise, ki jih določijo pristojni organi o odvajanju izpušnega zraka (to opozorilo ne velja za uporabo brez ventilacijske cevi).
 - Upravljajte z napravo, potem ko na kuhalno ploščo postavite lonec, ponev itd., V nasprotnem primeru lahko visoka toplota povzroči deformacijo v nekaterih delih izdelka.
 - Preden vzamete lonec, ponev itd., izklopite kuhalno ploščo.
 - Na kuhalni plošči ne puščajte vročega olja. Ponev z vročim oljem lahko povzroči samo zgozrevanje.
 - Bodite pozorni na zavese in prevleke, saj se lahko olje med kuhanjem hrane, kot je krompirček, vname.
 - Mastni filter morate zamenjati vsaj mesečno. Ogljikov filter je treba zamenjati vsaj vsake 3 mesece.
 - Izdelek je treba očistiti v skladu z navodili za uporabo. Če čiščenje ni bilo izvedeno v skladu z navodili za uporabo, lahko pride do nevarnosti požara.
 - Namesto trenutnega filtra ne uporabljajte filtrov, ki niso odporni na ogenj.
 - Uporabljajte samo originalne dele ali dele, ki jih priporoča proizvajalec.

1 Pomembna navodila za varnost in okolje

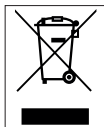
- Izdelka ne uporabljajte brez filtra in ne odstranjujte filtrov med delovanjem izdelka.
 - V primeru, da se začne plamen, izklopite napajanje izdelka in kuhalne naprave.
 - Če se začne plamen, ga pokrijte in nikoli ne uporabljajte vode za gašenje.
 - Napravo izklopite pred vsakim čiščenjem in ko je ne uporabljate.
 - Negativni tlak v okolju ne sme presežati 4 Pa (4 x 10 barov), medtem ko napa za električno kuhalno ploščo in naprave deluje na drugi vrsti energije, vendar elektrika deluje hkrati.
 - V okolju, kjer uporabljate aparat, mora biti izpuh naprav, ki delujejo na kurilno olje ali plin, na primer grelec za prostore, popolnoma izoliran ali naprava mora biti hermetičnega tipa.
 - Pri priključitvi ventilacijske cevi uporabljajte cevi s premerom 120 ali 150 mm. Cevni priključek mora biti čim krajši in imeti čim manj komolcev.
- POZOR:** Pri uporabi s kuharskimi napravami lahko dostopni deli postanejo vroči.
- Izhodna cev izdelka ne sme biti povezana z zračnimi kanali, ki vključujejo drug dim.
 - Prezračevanje v prostoru morda ni zadostno, če se napa za električno kuhalno ploščo uporablja hkrati z napravami, ki delujejo na plin ali druga goriva (to ne velja za naprave, ki v prostor odvajajo samo zrak).
 - Predmeti, postavljeni na izdelek, lahko padejo. Na izdelek ne postavljajte nobenih predmetov.
 - Ne vžigajte pod svojim izdelkom.
- OPOZORILO:** Pred namestitvijo Nape odstranite zaščitne folije.
- Nikoli ne puščajte visoko odprtega ognja pod napa, ko deluje
 - Friteze z globoko vsebnostjo maščobe je treba med uporabo nenehno nadzorovati: pregreto olje lahko vname plamen.

Nevarnost zadužitve! Embalažni material hranite izven dosega otrok.

1 Pomembna navodila za varnost in okolje

1.2 Skladnost z direktivo o OEE0 in odstranjevanje odpadkov:

Izdelek je v skladu z Direktivo EU OEE0 (2012/19/EU). Ta izdelek ima klasifikacijski simbol za odpadno električno in elektronsko opremo (OEE0).



Ta simbol pomeni, da tega izdelka ob koncu življenjske dobe ne smete odlagati skupaj z drugimi gospodinjskimi odpadki. Rabljeno napravo je treba vrniti v uradno zbirno mesto za recikliranje električnih in elektronskih naprav. Če želite najti te sisteme zbiranja, se obrnite na lokalne organe ali prodajalca, kjer je bil izdelek kupljen. Vsako gospodinjstvo ima pomembno vlogo pri predelavi in recikliranju starega aparata. Ustrezno odlaganje uporabljene naprave pomaga pri varstvu pred morebitnimi negativnimi vplivi na okoljevarstvo in zdravje človeka.

1.3 Skladnost z direktivo RoHS

Izdelek, ki ste ga kupili, je skladen z direktivo EU RoHS (2011/65/EU). Ne vsebuje škodljivih in prepovedanih materialov, določenih v Direktivi.

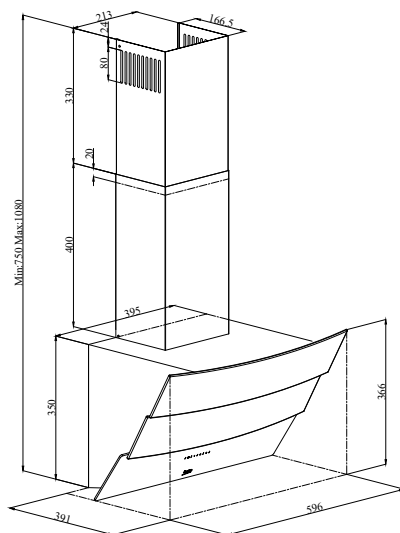
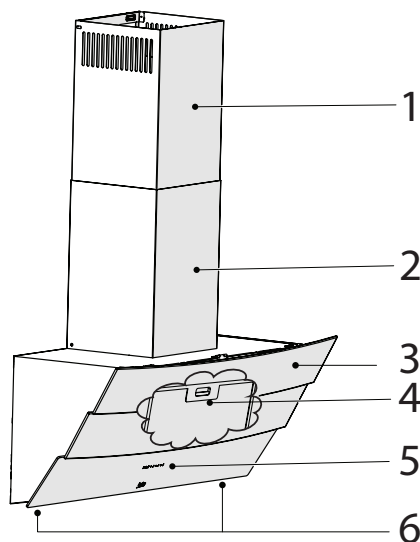
1.4 Podatki o embalaži



Embalažni materiali izdelka so izdelani iz materialov, ki jih je mogoče reciklirati, v skladu z našimi Nacionalnimi predpisi o okolju. Embalažnega materiala ne odložite skupaj z gospodinjskimi ali drugimi odpadki. Odnosite ga na zbirna mesta za embalažni material, ki so jih določile lokalne oblasti.

2 Splošen videz

2.1 Pregled



(Slika 1)

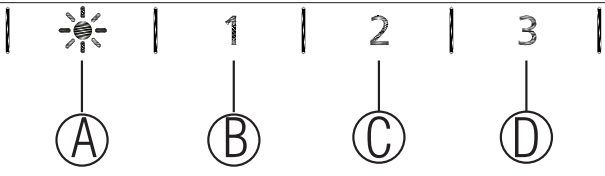
1. Notranji dimni kanal
2. Zunanji dimni kanal
3. Ohišje
4. Aluminijski maščobni filter (Za steklom)
5. Upravljalna plošča
6. Osvetlitev

2.2 Tehnični podatki

Model	HCA62640B	HCA62640W
Napajalna napetost	220-240V ~ 50 Hz	
Moč žarnice	2x3 W	
Moč motorja	210 W	
Stopnja pretoka – 3. stopnja	582 m ³ /h	
Izolacijski razred motorja	Razred F	
Izolacijski razred	Razred I	

3 Delovanje naprave

3.1 Upravljanje naprave

	
TIPKA	FUNKCIJA
A : Vklop/izklop osvetlitve	Za osvetlitev kuhalnega mesta pritisnite ta gumb. Ponovno pritisnite ta gumb, da izklopite lučko.
B : 1. Gumb za stopnjo	Naprava deluje s 1. hitrostjo. Ko znova pritisnete ta gumb, da izklopite napravo, se prikazana hitrosti izklopi.
C : 2. Gumb za stopnjo	Naprava deluje z 2. hitrostjo. Ko znova pritisnete ta gumb, da izklopite napravo, se prikazana hitrosti izklopi.
D : 3. Gumb za stopnjo	Naprava deluje s 3. hitrostjo. Ko znova pritisnete ta gumb, da izklopite napravo, se prikazana hitrosti izklopi.

3.2 Energijsko učinkovita uporaba

- Med delovanjem aparata prilagodite nastavev hitrosti glede na količino pare in intenzivnost vonja, da zmanjšate porabo energije.
- V običajnih razmerah uporabljajte nizki hitrosti (1–2), pri veliki količini pare in močnem vonju pa uporabljajte visoko hitrost (3).
- Lučke na napi so namenjene osvetlitvi kuhalnega mesta.
- Če jih uporabljate za osvetlitev prostora, lahko pride do nepotrebne porabe energije in nezadostne osvetlitve.
- Če želite, da naprava porabi manj energije, jo nastavite na nizko hitrost.
- Naprava bo porabila manj energije, saj bo delovala učinkoviteje, če ji zagotovite zadosten dovod zraka.
- Če veste, da bo nastala večja količina pare, predhodno nastavite napravo na veliko moč sesanja. Tako zmanjšate porabo energije s krajšo uporabo naprave, saj bo imela zadosten dovod zraka.
- Posoda naj bo pokrita s pokrovi, da zmanjšate nastajanje pare.

3.3 Delovanje nape

- Aparat je opremljen z motorjem, ki ima različne hitrosti.
- Za boljšo učinkovitost priporočamo, da v običajnih razmerah uporabljate nizke hitrosti, pri veliki količini pare in močnem vonju pa visoko hitrost.
- Aparat lahko vklopite tako, da pritisnete gumb za nastavev zelene hitrosti. (B,C,D)
- Za osvetlitev kuhalnega mesta pritisnite lučko. (A)

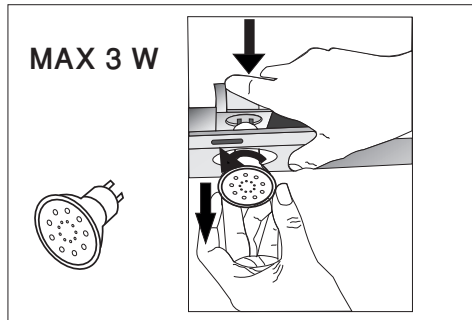
3 Delovanje naprave

3.4 Samodejna zaustavitev

Vaša naprava ima funkcijo samodejne zaustavitve, ki vam omogoča, da prostor malce bolj prezračite in odstranite neželen vonj ter veliko količino pare v okolju, po koncu kuhanja pa jo samodejno izklopite. Da omogočite funkcijo samodejne zaustavitve, pritisčajte katerikoli gumb (B, C, D) za nastavitev hitrosti na nadzorni plošči dlje kot za 2 sekundi; aktivirala se bo funkcija 15-minutnega merilnika časa. Ko je funkcija samodejne zaustavitve aktivna, bo pritisk istega gumba za nastavitev hitrosti onemogočil funkcijo samodejne zaustavitve in motor naprave se bo ustavil. Ta funkcija je onemogočena, ko preklapljate med različnimi hitrostmi.

Če želite, da se naprava zaustavi, morate znova omogočiti funkcijo samodejne zaustavitve.

3.5 Zamenjava lučke



(Slika 3)

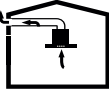
Izvedite električne povezave aparata. Vaša naprava uporablja 3W točkovno LED-lučko. Da zamenjate žarnice, potisnite z zadnje strani navzdol držalo, ga zavrtite v nasprotni smeri urnega kazalca in odstranite v smeri navzdol. Slika Za namestitev nove žarnice postopek opravite v obratni smeri (Slika 3).

Žarnica	
Moč žarnice	3 W

Držalo/vtičnica	GZ 10
Napetost žarnice	220 - 240 V
Velikost	53x50 mm
Koda ILCOS	DR/F3-220-240-GZ10-50-53
Svetlobni tok	260 lm
Korelirana barvna temperatura	3000 K

Ta izdelek vsebuje svetlobni vir razreda energijske učinkovitosti "F".

3.6 Delovanje s priklopom na dimni kanal

-  Para se odvaja skozi dimni kanal, ki je pritrjen na priključno glavo nape.
- Premer dimnega kanala mora biti enak kot obroč priklopa. V vodoravni postavitvi mora imeti cev naklon nekoliko navzgor (okrog 10°), da zrak zlahkoto zapusti prostor.

3.7 Delovanje brez priklopa na dimni kanal

-  Zrak se filtrira skozi ogljeni filter in ponovno kroži po prostoru. Ogljikov filter se uporabi, ko v hiši ni mogoče uporabiti dimnega kanala.
- Pri uporabi brez dimnega kanala odstranite lopute v adapterju dimnega kanala.
- Odstranite aluminijasti filter za maščobo. Da namestite ogljeni filter, ga namestite na oznake tako, da ga na vsaki strani ohišja nape postavite na plastičen del. Zategnite ga tako, da ga obrnete desno ali levo.
- Zamenjajte aluminijasti filter za maščobo

4 Čiščenje in vzdrževanje

Napravo je treba redno čistiti in vzdrževati. Če ne čistite naprave, bo to negativno vplivalo na njeno življenjsko dobo. Za čiščenje in vzdrževanje upoštevajte navodila, ki so navedena v priročniku.



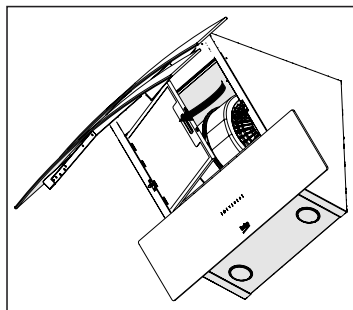
Pred čiščenjem in vzdrževanjem odklopite izdelek ali izklopite stikalo.



Če ne upoštevate navodil v zvezi s čiščenjem naprave in zamenjavo filtrov, lahko pride do nevarnosti požara. Zato priporočamo, da upoštevate smernice, ki so navedene tukaj. Proizvajalec ne odgovarja za poškodbe motorja ali požare, ki nastanejo zaradi nepravilne uporabe.

4.1 Čiščenje aluminijastega filtra za maščobo

Ta filter zadržuje oljne delce v zraku. Aluminijasti maščobni filtri lahko med pranjem spremenijo barvo; to je normalno in ne zahteva zamenjave aluminijastega filtra za maščobo.



(Slika 4)

- Pritisnite zaklep aluminijastega filtra za maščobo naprej.
- Nato ga malce povlecite navzdol in navzven (Slika 4). V nasprotnem primeru ga lahko zvijete. Umijte in splaknite aluminijasti filter za maščobo s tekočim detergentom in ga zamenjajte po zgo-

raj opisanem postopku v obratni smeri. Ta filter zadržuje oljne delce v zraku.



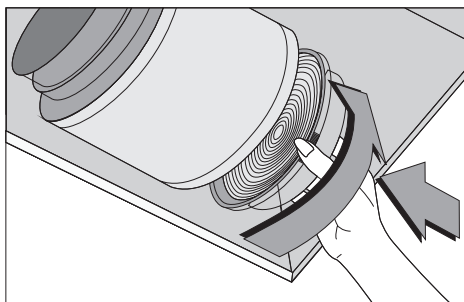
Svoj aluminijasti filter za maščobo lahko umijete v pomivalnem stroju.



POZOR: V primeru običajne uporabe filter očistite enkrat na mesec.

4.2 Zamenjava oglenih filtrov

Filtri za odstranjevanje neprijetnih vonjav vsebujejo oglje (aktivni ogljik). Aluminijasti maščobni filter je treba namestiti v izdelek, ne glede na to, ali uporabljate ogljeni filter.



(Slika 5)

- Odstranite aluminijasti filter za maščobo (slika 4).
- Da odstranite ogljeni filter, ga vzemite iz ohišja tako, da ga zasukate v nasprotni smeri (Slika 5).
- Namestite novi ogljeni filter.
- Namestite aluminijasti filter za maščobo.

POZOR



- Ogljenega filtra nikoli ne umivajte.
- Ogljeni filter zamenjate enkrat na tri mesece.
- Ogljeni filter lahko kupite pri pooblaščenih prodajalcih.

5 Namestitev naprave



OPOZORILO: Pred začetkom namestitve preberite varnostne informacije v uporabniškem priročniku.

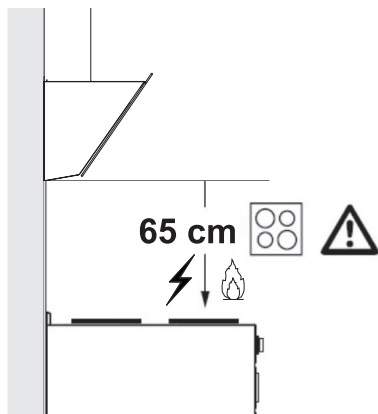


OPOZORILO: Če naprave ne namestite z vijaki in stabilizatorji v skladu s temi navodili, lahko pride do električnega šoka.

Za namestitev pokrova se obrnite na najbližji pooblašeni servis.

Odgovornost kupca je, da pripravi lokacijo in električno instalacijo za pokrov.

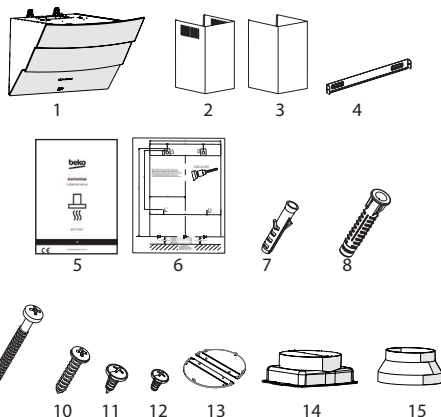
5.1 Položaj naprave



(Slika 6)

- Razdalja med kuhhalno ploščo in pokrovom mora biti upoštevana pred sestavljanjem. Meriti mora 65 cm (Slika 6).
- Razdalja je treba izmeriti od površine rešetke plinskih gorilnikov, površine steklene električne kuhhalne plošče.

5.2 Namestitev dodatkov



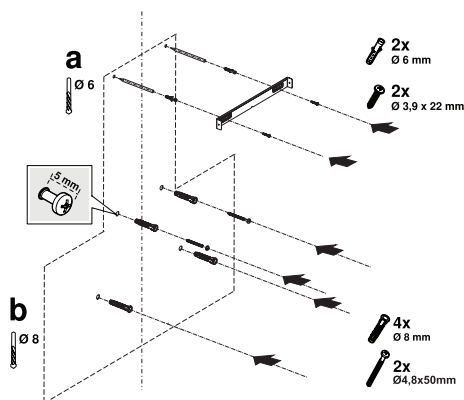
1. Izdelek
 2. Notranji dimni kanal
 3. Zunanji dimni kanal
 4. Plošča za priklop na dimni kanal
 5. Uporabniški priročnik
 6. Montažni vzorec
 7. 2 x Ø 6 mm plastični vložek
 8. 4 x Ø 8 mm plastični vložek
 9. 4 x 4,8 x 50 stenski vijak
 10. 2 x 3,9 x 22 vijak za ploščo za priklop na dimni kanal
 11. 4 x 3,5 x 9,5 vijak za priklop na dimni kanal
 12. 2 x 3,5 x 9,5 vijak s topim koncem
 13. Objemka za dimni kanal
 14. 150 mm plastični adapter za dimni kanal
 15. 150/120 plastični adapter za dimni kanal
- Informacije za primerno lokacijo za namestitev nape so na voljo spodaj.

5.3 Stenska namestitev

- Stena mora biti ravna in dovolj nosilna.
- Globina izvrtanih lukenj mora ustrezati dolžini vijakov.
- Priloženi vložki in matice so primerni za opečnate stene. V primeru drugih gradbenih materialov (npr. suhomontažne plošče, plinobeton)

5 Namestitev naprave

je treba uporabiti ustrezne pritrdilne vložke in matice.



(Slika 7)



POZOR: Pred vrtanjem se pripravite, da v neposredni bližini mest vrtanja ni električnih, plinskih ali vodovodnih cevi.

Narišite sredinsko namestitveno črto od stropa pravokotno na spodnji rob nape.

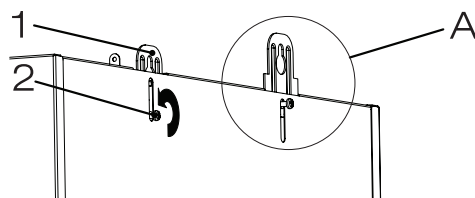
Predlogo za namestitev, priloženo izdelku, položite na površino, na katero želite namestiti napa. Pri tem opazujte višino namestitve nape (slika 6).

V sredini plošče za priklop na dimni kanal je oznaka. Središčno točko postavite na to oznako ter črto narišite navpično na zid. Pri tem nastavite največjo višino nape (slika 1). S pisalom označite luknje, kjer bo nameščena plošča za priklop na dimni kanal (slika 7/a).

Zvrtajte označene točke z $\varnothing 6$ mm svedom in vstavite dva plastična vložka v izvrtane luknje (Slika 7/a). Vstavite ploščo za priklop na dimni kanal z vijaki 3,9 x 22 (slika 7/a).

Da sestavite napa, lahko uporabite $\varnothing 8$ m sveder, da izvrtate točke A, B, C, D na plošči za sestavljanje, in vanje vstavite 4,8 x 50 mm plastične vložke. (Slika 7/b).

Namestite 2 pritrdilna vijaka 4,8 x 50 z razmikom 5 mm med glavo vijaka in steno (Slika 7/b).

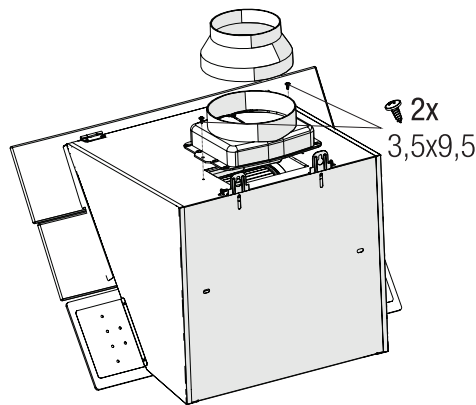


(Slika 8)

1. Obešalna plošča
2. Povezovalni vijak za obešalno ploščo

Da svojo napa namestite na steno, odvijte vijake na obešalni plošči, nameščeni na ohišju motorja, in jih povlecite navzgor ter znova zategnite (Slika 8/A).

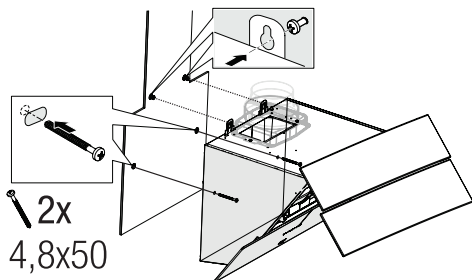
Vklopite sesalno steklo na pokrovu in odstranite aluminijasti filter za maščobo (slika 4).



(Slika 9)

150mm plastični adapter za dimni kanal, ki je priložen, pritrдите na ohišje nape z vijaki s topim koncem 3.5x9.5. Če bo izstop zraka priključen na cev za izpust zraka, ki bo manjša kot 150 mm, namestite 150 / 120 mm plastični adapter za cev (slika 9).

5 Namestitev naprave

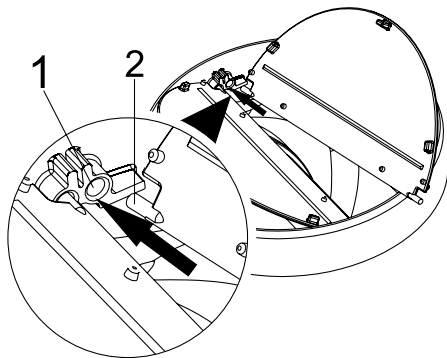


(Slika 10)

Držite nabo za ohišje ter ga namestite na pritrtilne vijake na steni ter privijte vijake (Slika 10).

Pritrdite nabo z dvema vijakoma 4,8 x 50 skozi namestitveno luknjo na notranji strani naprave (Slika 10).

5.4 Preklop na dimni kanal



(Slika 11)

1. Vtičnica za zatič lopute
2. Zatič lopute

Vstavite plastični zatič (Slika 11/del št. 2) v vtičnico za zatič na izhodu motorja (Slika 11/del št. 1). Nato loputo malce upognite, da v loputo vstavite še drugi zatič, in ga vstavite v vtičnico (Slika 11).

Če boste uporabili \varnothing 150/120 mm plastični adapter za dimni kanal, en konec cevi priključite na adapter za dimni kanal. Če ga ne boste uporabili, pa priključite neposredno na izhod naprave.

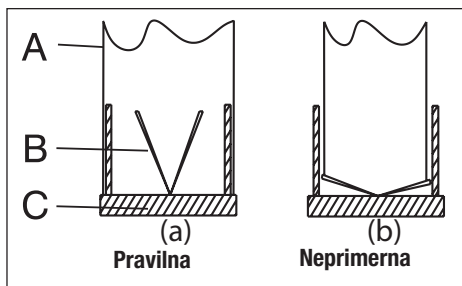
Povežite drugo stran cevi z dimnim kanalom. Preverite, ali sta povezavi dovolj tesni, da tudi pri najvišji hitrosti delovanja naprave zrak ne uhaja. Prepričajte se, da lopute v dimnem kanalu delujejo, ko so pritrjene s sponko. Povežite prikllop dimnega kanala z zunanjo stranjo adapterja (slika 12/a). Če je priključna cev v notranjosti adapterja, ne bo prišlo do pretoka zraka, saj dimniška loputa, ki preprečuje vračanje zraka, ostane zaprta (slika 12/b). Dolžina priključka cevi ter število zavojev morajo biti kar najmanjša.

A : Izhodna cev dimnega kanala

B : Sponke za dimni kanal

C : Plastični dimni kanal

Če so ventili zaprti, naprava ne deluje in preprečuje, da bi morebitne neprijetne vonjave od zunaj vstopale v notranjost.



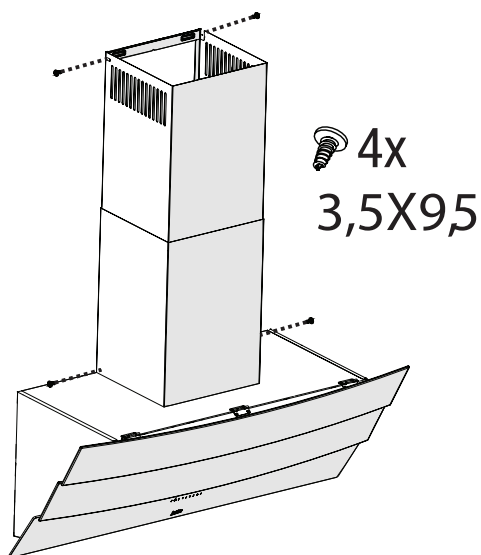
(Slika 12)

5.5 Namestitev nape na dimni kanal

Pred namestitvijo vaše nape na dimni kanal uredite električni priključek. Plošče za dimni kanal namestite okrog ohišja. Dimni kanal privijte na ploščo za pritrnitev na dimni kanal, ki je na voljo na ohišju motorja. (Slika 13).

Namestite dimni kanal na ploščo za pritrnitev na dimni kanal, ki je pritrjena na steni na zgornjih zunanjih robovih (slika 13).

5 Namestitev naprave



(Slika 13)

5.6 Shranjevanje

- Če naprave ne želite uporabljati dlje časa, jo skrbno shranite.
- Prepričajte se, da je naprava izključena iz omrežja, ohlajena in popolnoma suha.
- Napravo hranite na hladnem in suhem mestu.
- Napravo shranjujte izven dosega otrok.

5.7 Rokovanje in transport

- Med rokovanjem in prevozom prenašajte napravo v originalni embalaži. Embalaža napravo varuje pred fizičnimi poškodbami.
- Na napravo ali embalažo ne polagajte težkih bremen. Naprava se lahko poškoduje.
- Če vam naprava pade na tla, ne bo več delovala in je lahko trajno poškodovana.

6 Odpravljanje težav

Odpravljanje težav	Glavni razlog	Pomoč
Naprava ne deluje.	Preverite varovalke.	Varovalka je lahko pokvarjena. Preglejte jo in jo popravite.
Naprava ne deluje.	Preverite električno povezavo.	Napetost mora biti med 220 in 240 V.
Naprava ne deluje.	Preverite električno povezavo.	Preverite, ali delujejo druge naprave v vaši kuhinji.
Žarnica za osvetlitev ne deluje.	Preverite električno povezavo.	Napetost mora biti med 220 in 240 V.
Žarnica za osvetlitev ne deluje.	Preverite stikalo lučke.	Stikalo lučke mora biti v položaju »vklopljeno«.
Žarnica za osvetlitev ne deluje.	Preverite lučke.	Lučke za osvetlitev mora zasvetiti.
Vhod zraka v napravo ni ustrezen.	Preverite aluminijasti filter.	Pri normalnih pogojih delovanja je treba aluminijaste filtre za maščobo čistiti vsaj enkrat na mesec.
Vhod zraka v napravo ni ustrezen.	Preverite dimni kanal za izpust zraka.	Dimni kanal za izpust zraka mora biti v položaju "vklop".
Vhod zraka v napravo ni ustrezen.	Preverite ogljeni filter.	V običajnih razmerah je treba ogljeni filter v napravah, ki so opremljene z njim, zamenjati vsake 3 mesece.

Ju lutemi lexoni në fillim këtë manual përdorimi!

I dashur klient i çmuar,

Faleminderit që keni zgjedhur këtë pajisje Beko. Ne shpresojmë që të merrni rezultatet më të mira nga pajisja juaj, e cila është prodhuar me cilësi të lartë dhe me një teknologji të nivelit më të lartë. Për këtë arsye, lexoni me kujdes të gjithë këtë manual përdorimi dhe të gjitha dokumentet e tjera shoqëruese përpara se të përdorni këtë pajisje dhe mbajeni atë si referencë për ta përdorur në të ardhmen. Nëse ia jepni dikujt tjetër këtë pajisje, jepini edhe manualin e përdorimit. Ndiqni udhëzimet duke treguar vëmendje për të gjitha informacionet dhe paralajmërimet në manualin e përdorimit.

Mos harroni se ky manual përdorimi mund të jetë i vlefshëm edhe për modele të tjera. Diferencat mes modeleve përshkruhen në mënyrë të qartë në manual.

Kuptimet e simboleve

Simbolet e mëposhtme përdoren në pjesë të ndryshme të këtij manuali përdorimi:



Informacione të rëndësishme dhe sugjerime të dobishme për përdorimin.



PARALAJMËRIM: Paralajmërim për situata të rrezikshme në lidhje me sigurinë e jetës dhe të pronës.



PARALAJMËRIM: Paralajmërim për rrezikun e zjarrit.



PARALAJMËRIM: Paralajmërim për goditje elektrike.



LETËR E RICIKLUAR
DHE E RICIKLUESHME

1 Udhëzime të rëndësishme për sigurinë dhe mjedisin

1.1 Siguria e përgjithshme

Udhëzime të rëndësishme për sigurinë. Lexojini me kujdes dhe mbajini për referencë në të ardhmen. Në këtë pjesë përfshihen udhëzimet për sigurinë që do t'ju ndihmojnë të mbroheni nga rreziku i zjarrit, goditjes elektrike, ekspozimit ndaj rrjedhjeve të energjisë së mikrovalëve, lëndimeve personale ose dëmtimeve të pronës. Mosrespektimi i këtyre udhëzimeve do ta bëjë të pavlefshme garancinë.

- Produktet Beko janë në përputhje me standardet përkatëse të sigurisë; për këtë arsye, në rast dëmtimi të pajisjes ose të kabllos elektrike, ajo duhet të riparohet ose të zëvendësohet nga shitësi, qendra e shërbimit ose një specialist dhe shërbim i autorizuar i ngjashëm për të shmangur çdo rrezik. Riparimet e gabuara ose të pakualifikuara mund të jenë të rrezikshme dhe të shkaktojnë rrezik për përdoruesin.
- Kjo pajisje është planifikuar të përdoret në shtëpi dhe në aktivitete të ngjashme si p.sh.:
 - Zonat e kuzhinës së personelit në dyqane, zyra dhe ambiente të tjera pune;
 - Shtëpi në ferma
 - Nga klientët në hotele dhe ambiente të tjera banimi;
 - Ambiente të tipit të moteleve.
- Përdoreni këtë pajisje vetëm për qëllimin e planifikuar siç përshkruhet në këtë manual.
- Prodhuuesi nuk mund të mbajë përgjegjësi për dëmtimet që shkaktohen nga instalimi i gabuar ose keqpërdorimi i produktit.
- Kjo pajisje mund të përdoret nga fëmijë të moshës 8 vjeç e lart dhe personat me aftësi më të ulëta fizike, ndjesore ose mendore ose me mungesë përvoja dhe njohurish nëse u janë dhënë udhëzime ose janë monitoruar në lidhje me përdorimin e pajisjes në një mënyrë të sigurt dhe i kuptojnë rreziqet që përfshihen.
- Fëmijët nuk duhet të lejohen që të luajnë me pajisjen. Pastrimi

1 Udhëzime të rëndësishme për sigurinë dhe mjedisin

dhe mirëmbajtja e përdoruesit nuk duhet bërë nga fëmijë pa mbikëqyrje.

- Distanca minimale mes sipërfaqes mbështetëse për enët e gatimit në vatrën e gatimit dhe pjesës më të poshtme të produktit tuaj duhet të jetë të paktën 65 cm.
- Nëse udhëzimet për instalimin për vatrën e gazit specifikojnë një distancë më të madhe, kjo duhet të merret parasysh.
- Sigurohuni që furnizimi me energji nga rrjeti elektrik është në përputhje me informacionet e dhëna në tabelën e karakteristikave të pajisjes.
- Mos e përdorni asnjëherë pajisjen nëse kabloja elektrike ose vetë pajisja është e dëmtuar.
- Parandaloni dëmtimin e kabllot elektrike duke mos e shtypur, përkulur ose prekur në cepa të mprehtë. Mbajeni kabllon elektrike larg nga sipërfaqet e nxehta dhe flakët e pambrojtura.
- Përdoreni pajisjen vetëm me një prizë me tokëzim.

PARALAJMËRIM: Mos e lidhni pajisjen me rrjetin elektrik deri sa instalimi të ketë përfunduar plotësisht.

- Vendoseni pajisjen në një mënyrë të tillë që spina të jetë gjithmonë lehtësisht e arritshme.
- Mos i prekni llambat nëse janë përdorur për një kohë të gjatë. Ato mund t'ju djegin duart nëse nxehen.
- Ndiqni rregullat e përcaktuara nga autoritetet kompetente për shkarkimin e ajrit të papastër (ky paralajmërim nuk është i vlefshëm për përdorim pa tuba).
- Përdoreni pajisjen pasi të vendosni një tenxhere, tigan etj. në vatrën e gatimit. Në rast të kundërt, nxehtësia e lartë mund të shkaktojë deformime në disa pjesë të produktit tuaj.
- Fikeni vatrën e gatimit para se ta hiqni tenxheren, tiganin etj. nga ajo.
- Mos lini vaj të nxehtë që vatrën e gatimit. Tiganët me vaj të nxehtë mund të marrin zjarr.
- Tregoni kujdes ndaj perdeve dhe mbulesave pasi vaji mund

1 Udhëzime të rëndësishme për sigurinë dhe mjedisin

- të marrë zjarr gjatë gatimit të ushqimeve si p.sh. patateve të skuqura.
- Filtri i yndyrës duhet të ndërrohet të paktën çdo muaj. Filtri i karbonit duhet të ndërrohet të paktën çdo 3 muaj.
 - Produkti duhet të pastrohet në përputhje me manualin e përdorimit. Nëse pastrimi nuk kryhet në përputhje me manualin e përdorimit, ekziston rreziku i zjarrit.
 - Mos përdorni materiale filtrimi që nuk janë rezistente ndaj zjarrit në vend të filtrit aktual.
 - Përdorni vetëm pjesë origjinale ose pjesë të rekomanduara nga prodhuesi.
 - Mos e përdorni produktin pa filtrin dhe mos i hiqni filtrat kur produkti është në përdorim.
 - Në rast se ndizen flakë, shkëputeni produktin nga rrjeti elektrik dhe pajisjet e gatimit.
 - Në rast se ndizen flakë, mbulojini flakët dhe mos përdorni asnjëherë ujë për fikjen e tyre.
 - Hiqeni pajisjen nga priza para pastrimit dhe kur pajisja nuk është në përdorim.
 - Presioni negativ në ambient nuk duhet të kalojë 4 Pa (4 x 10 bar) kur përdoren njëkohësisht aspiratori për vatrat elektrike dhe pajisje që funksionojnë me një lloj tjetër energjie.
 - Në ambientin ku përdoret pajisja, ajri i shkarkimit i pajisjeve që punojnë me karburant ose gaz, si p.sh. ngrohësit e dhomës, duhet të izolohet në mënyrë absolute ose pajisja duhet të jetë e tipit hermetik.
 - Kur lidhni tubat, përdorni tuba me diametër 120 ose 150 mm. Lidhja e tubave duhet të jetë sa më e shkurtër dhe me sa më pak bërryla.
- Rrezik mbytje!** Mbajini të gjitha materialet e paketimit larg fëmijëve.
- KUJDES:** Pjesët e arritshme mund të jenë të nxehta kur përdoren me pajisjet e gatimit.
- Shkarkimi i produktit nuk duhet të lidhet me kanale ajri që përfshijnë tymra të tjerë.

1 Udhëzime të rëndësishme për sigurinë dhe mjedisin

- Ajrimi në dhomë mund të mos jetë i mjaftueshëm kur aspiratori për vatrën elektrike përdoret në të njëjtën kohë me pajisje që funksionojnë me gaz ose karburante të tjera (kjo mund të mos jetë e vlefshme për pajisjet që e nxjerrin ajrin përsëri vetëm në dhomë).
- Objektet e vendosura mbi produkt mund të bien. Mos vendosni objekte mbi produkt.
- Mos ndizni flakë gjatë gatimit nën produkt.

PARALAJMËRIM: Para se të instaloni aspiratorin, hiqni shtresat mbrojtëse.

- Mos lini asnjëherë flakë të hapura të larta nën aspirator kur ai është në funksionim.
- Fritezat duhet të monitorohen vazhdimisht gjatë përdorimit: vaji i nxehur shumë mund të shpërthejë në flakë.

1.2 Përputhja me direktivën WEEE dhe hedhja e produktit pas përdorimit

Ky produkt është në përputhje me direktivën WEEE të BE-së (2012/19/EU). Ky produkt ka një simbol klasifikimi për pajisjet e përdorura elektrike dhe elektronike (WEEE).



Ky simbol tregon se ky produkt nuk duhet të hidhet me mbeturinat e tjera të shtëpisë në fund të kohëzgjatjes së shërbimit. Pajisja e përdorura duhet të kthehet te pika zyrtare e grumbullimit për riciklimin e pajisjeve elektrike dhe elektronike. Për t'i gjetur këto sisteme grumbullimi, kontaktoni me autoritetet lokale ose me shitësin ku e keni blerë produktin. Çdo shtëpi ka një rol të rëndësishëm në rikuperimin dhe riciklimin e pajisjeve të vjetra. Hedhja e pajisjes së përdorur në mënyrën e duhur ndihmon për të parandaluar pasoja të mundshme negative për mjedisin dhe shëndetin e njeriut.

1.3 Përputhja me direktivën RoHS

Produkti që keni blerë është në përputhje me direktivën RoHS të BE-së (2011/65/EU). Nuk përmban materiale të dëmshme dhe të ndaluara të specifikuara në direktivë.

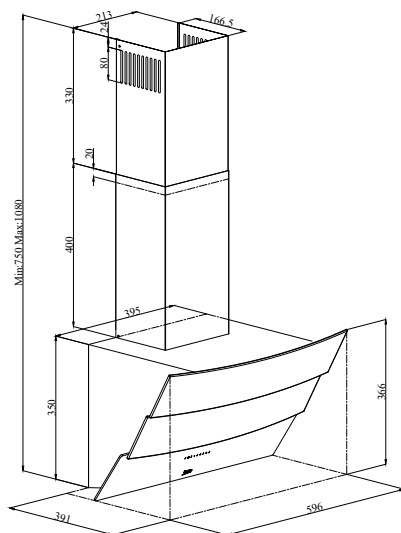
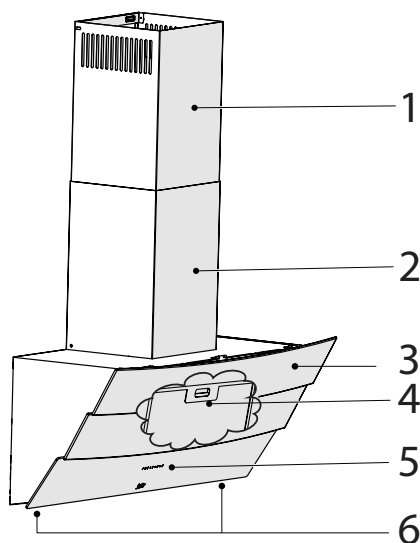
1.4 Informacionet për paketimin



Materialet e paketimit të produktit janë prodhuar nga materiale të riciklueshme në përputhje me rregulloret tona kombëtare për mjedisin. Mos i hidhni materialet e paketimit bashkë me mbeturinat e shtëpisë ose mbeturina të tjera. Dërgojini ato te pikat e grumbullimit të materialeve të paketimit të përcaktuara nga autoritetet lokale.

2 Pamja e përgjithshme

2.1 Pamja e përgjithshme



(Figura 1)

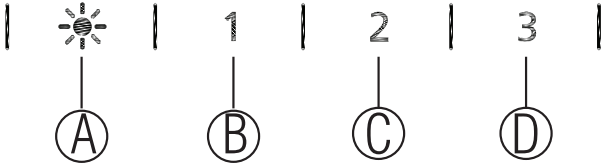
1. OXHAKU I BRENDSHËM
2. OXHAKU I JASHTËM
3. TRUPI
4. FILTRI PREJ ALUMINI I YNDYRËS (Prapa kapakut prej xhami)
5. PANELI I KONTROLLIT
6. NDRIÇIMI

2.2 Të dhënat teknike

Modeli	HCA62640B	HCA62640W
Voltaži	220-240V ~ 50 Hz	
Fuqia e llambës	2x3 W	
Fuqia e motorit	210 W	
Sasia e thithjes – 3. Niveli	582 m ³ /h	
Klasa e izolimit të motorit	Klasa F	
Klasa e izolimit	Klasa I	

3 Përdorimi i pajisjes

3.1 Kontrolli i pajisjes

	
BUTONI	FUNKSIONI
A : Drita ndezur / fikur	Mund të ndriçoni sipërfaqen e gatimit duke shtypur këtë buton. Rishtypni butonin për të fikur llambën.
B : 1. Butoni i fazës	Operon pajisjen në shpejtësinë e 1-rë. Kur ju shtypni këtë buton përsëri për të fikur pajisjen, ekrani i fazës së shpejtësisë fiket.
C : 2. Butoni i fazës	Operon pajisjen në shpejtësinë e 2-të. Kur ju shtypni këtë buton përsëri për të fikur pajisjen, ekrani i fazës së shpejtësisë fiket.
D : 3. Butoni i fazës	Operon pajisjen në shpejtësinë e 3-të. Kur ju shtypni këtë buton përsëri për të fikur pajisjen, ekrani i fazës së shpejtësisë fiket.

3.2 Përdorimi efikas për sa i përket kursimit të energjisë

- Kur përdorni pajisjen, rregulloni parametrat e shpejtësisë në përputhje me intensitetin e avullit dhe të aromës, në mënyrë që të kurseni energji.
- Përdorni shpejtësitë e ulëta (1-2) në kushte normale, dhe shpejtësinë e lartë (3) kur ka aroma të forta dhe avull.
- Llambat në aspirator janë vendosur për të ndriçuar sipërfaqen e gatimit.
- Përdorimi i tyre për të ndriçuar ambientin do të shkaktojë shpenzim të panevojshëm të energjisë dhe ndriçim të pamjaftueshëm.
- Në mënyrë që pajisja juaj të konsumojë më pak energji, përdoreni atë me një nivel më të ulët shpejtësie.
- Pajisja juaj do ta zvogëlojë konsumin e energjisë pasi do të punojë me efikasitet më të madh kur të siguroni një vëllim të mjaftueshëm ajri që hyn në të.
- Caktojeni pajisjen tuaj në nivelin e fuqisë së lartë thithëse para formimit të avullit, në rastet kur e dini se do të ketë avull të dendur. Në këtë mënyrë ju zvogëloni konsumin e energjisë duke e përdorur pajisjen tuaj për një kohë më të shkurtër pasi ajo do të ketë një vëllim të mjaftueshëm ajri që hyn në të.
- Mbajini të mbyllur kapakët e enëve të gatimit për të zvogëluar krijimin e avullit.

3.3 Përdorimi i aspiratorit

- Pajisja juaj ka një motor me shpejtësi të ndryshme.
- Për një performancë më të mirë, rekomandojmë të përdorni shpejtësitë e ulëta në kushte normale dhe shpejtësitë e larta në rastin kur ka aroma të forta dhe shumë avull.
- Mund ta ndizni pajisjen duke shtypur butonin e parametrat të shpejtësisë së dëshiruar. (B,C,D)

3 Përdorimi i pajisjes

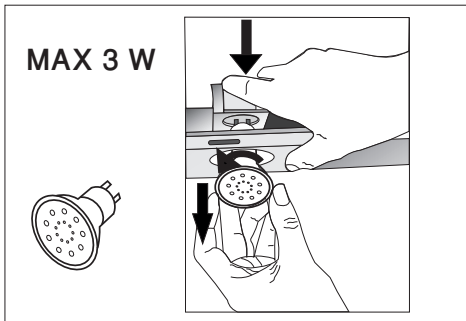
- Mund të ndriçoni sipërfaqen e gatimit duke shtypur llambën. (A)

3.4 Ndalja automatike

Pajisja juaj ka veçorinë e Ndaljes automatike, e cila mundëson të ajroset ambienti edhe pak më shumë dhe të hiqen erërat e padëshiruara dhe avulli brenda ambientit e të fiket automatikisht pasi gatimi ka përfunduar. Për të aktivizuar veçorinë e Ndaljes automatike, shtypni çdo buton të fazës së shpejtësisë (B, C, D) të paneli i kontrollit për më shumë se 2 sekonda; funksioni i kohëmatësit prej 15-minutash do të aktivizohet. Kur veçoria e ndaljes automatike është aktive, shtypja e të njëjtit buton të shpejtësisë do të çaktivizojë funksionin e ndaljes automatike dhe motori i pajisjes do të ndalojë. Kjo veçori çaktivizohet kur kaloni në faza të ndryshme të shpejtësisë.

Nëse dëshironi që pajisja të ndalet automatikisht, duhet të aktivizoni përsëri veçorinë e ndaljes automatike.

3.5 Ndërimi i llambës



(Figura 3)

Bëni lidhjet elektrike të pajisjes. Pajisja juaj përdor llambë spot LED 3W. Për të ndërruar llambat, shtypeni poshtë mbajtësen nga prapa, rrotullojeni në drejtim të kundërt me akrepat e orës dhe tërhiqeni poshtë. Kryeni të njëjtat veprime nga ana e kundërt për të montuar llambat e reja (Figura 3).

Llamba	
Fuqia e llambës	3 W
Mbajtësja / Foleja	GZ 10
Voltazhi i llambës	220 - 240 V
Madhësia	53x50 mm
Kodi ILCOS	DR/F3-220-240-GZ10-50-53
Fluksi ndriçues	260 lm
Temperatura e ngjyrës përkatëse	3000 K

Ky produkt përmban një burim ndriçimi të klasës së efikasitetit energjetik "F".

3.6 Përdorimi me lidhjen me oxhak

- Avulli nxirret nëpërmjet tubit të oxhakut, i cili është mbërthyer te koka bashkuese në aspirator.
- Diametri i tubit të oxhakut duhet të jetë i njëjtë me unazën bashkuese. Kur është i vendosur horizontalisht, tubi duhet të ketë një pjerrësi pakëz të ngritur (rreth 10°) në mënyrë që ajri të dalë lehtë nga dhoma.

3.7 Përdorimi pa lidhjen me oxhak

- Ajri filtrohet nëpërmjet filtrit prej karboni dhe riqarkullohet në dhomë. Filtri prej karboni përdoret kur është e pamundur të përdoret një oxhak në shtëpi.
- Në përdorimin pa oxhak, hiqni fletët brenda reaktorit të oxhakut.
- Hiqni filtrin prej alumini të yndyrës. Për të montuar filtrin prej karboni, puthiteni filtrin te gjuhëzat duke e e vënë në qendër të pjesës plastike në lidhje me të dyja anët e trupit të ventilatorit. Shtrëngojeni duke e rrotulluar djathtas ose majtas.
- Vendosni përsëri filtrin prej alumini të yndyrës.

4 Pastrimi dhe mirëmbajtja

Pajisja duhet të pastrohet dhe të mirëmbahet rregullisht. Mospastrimi i pajisjes do të ketë ndikim negativ në jetëgjatësinë e shërbimit të pajisjes. Për pastrimin dhe mirëmbajtjen, ndiqni udhëzimet e dhëna në manual.



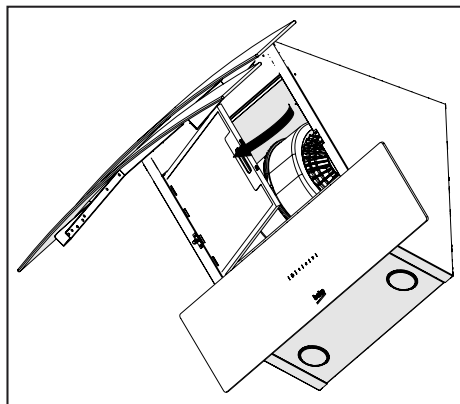
Para pastrimit dhe mirëmbajtjes, hiqni produktin nga priza ose fikni çelësin.



Mosrespektimi i masave në lidhje me pastrimin e pajisjes dhe zëvendësimin e filtrave mund të shkaktojë rrezik zjarri. Për këtë arsye, rekomandohet të ndiqni udhëzimet e dhëna këtu. Prodhuesi nuk është përgjegjës për dëmtimin e motorit ose zjarrin që shkaktohet nga përdorimi i papërshtatshëm.

4.1 Pastrimi i filtrit prej alumini të yndyrës

Filtri mbledh grimcat e yndyrave që janë në ajër. Filtrat prej alumini të yndyrës mund të ndryshojnë ngjyrë kur lahen; kjo është normale dhe nuk kërkon që t'i ndërroni filtrat prej alumini të yndyrës.



(Figura 4)

- Shtyni para mbërtheckën e filtrit prej alumini të yndyrës.
- Pastaj tërhiqeni pak poshtë dhe nxirreni jashtë filtrin (Figura 4). Në të kundërt, mund ta sh-trembëroni filtrin. Lani dhe shpëlani filtrat prej alumini të yndyrës me detergjent të lëngshëm dhe rivendosni filtrat prej alumini të yndyrës në foletë e tyre duke ndjekur hapat e specifikuar më sipër në radhën e kundërt. Filtri mbledh grimcat e yndyrave që janë në ajër.



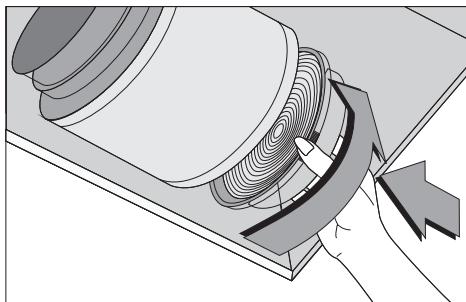
Mund t'i lani filtrat prej alumini të yndyrës në larësen e enëve.



KUJDES: Në rast përdorimi normal, pastrojeni filtrin një herë në muaj.

4.2 Ndërrimi i filtrave prej karboni

Filtrat për heqjen e erërave përmbajnë qymyr druri (Karbon aktiv). Filtrat anti-yndyrë duhen montuar në produkt, pavarësisht nëse përdoren apo jo filtrat e karbonit.



(Figura 5)

- Hiqni filtrin prej alumini të yndyrës (Figura 4).
- Për të hequr filtrin prej karboni, hiqni filtrin prej karboni nga foleja e tij duke e rrotulluar në kra-hun e kundër të akrepave të orës për ta nxjerrë nga gjuhëzat (Figura 5).
- Montoni filtrin e ri prej karboni.

3 Përdorimi i pajisjes

- Montoni filtrin prej alumini të yndyrës.



KUJDES

- Filtri prej karboni nuk duhet të lahet kurrë.
- Ndërrojini filtrat prej karboni një herë në 3 muaj.
- Mund ta gjeni filtrin prej karboni te serviset e autorizuara.

5 Montimi i pajisjes



PARALAJMËRIM: Para se të filloni montimin, lexoni informacionet për sigurinë në Manualin e Përdorimit.

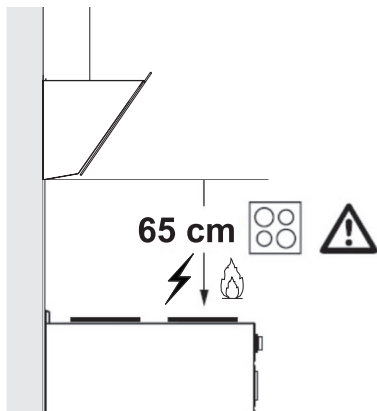


PARALAJMËRIM: Nëse pajisja nuk montohet me vida dhe bulona në përputhje me këto udhëzime, kjo mund të rezultojë në goditje elektrike.

Për montimin e aspiratorit, ju lutemi kontaktoni Servisin e Autorizuar më të afërt.

Është përgjegjësia e klientit të përgatitë vendndodhjen dhe montimin elektrik të aspiratorit.

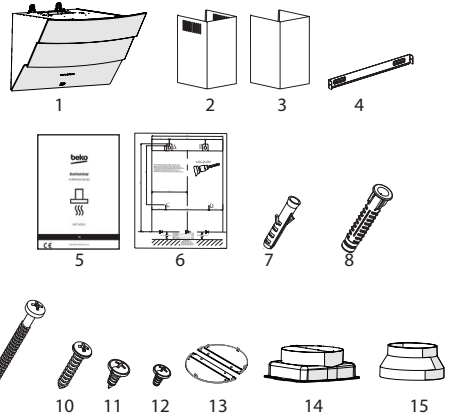
5.1 Pozicioni i pajisjes



(Figura 6)

- Distanca midis sobës dhe aspiratorit të kuzhinës duhet të merret parasysh para montimit. Distanca duhet të jetë 65 cm (Figura 6).
- Distanca duhet matur nga sipërfaqja e skarës për sobat me gaz, Nga sipërfaqja e xhamit për sobat elektrike.

5.2 Aksesorët e montimit



1. Produkti
2. OXHAKU I BRENDSHËM
3. OXHAKU I JASHTËM
4. Pllaka e lidhjes e oxhakut
5. Manuali i përdorimit
6. Shablloni i montimit
7. 2x Ø6mm upa plastike

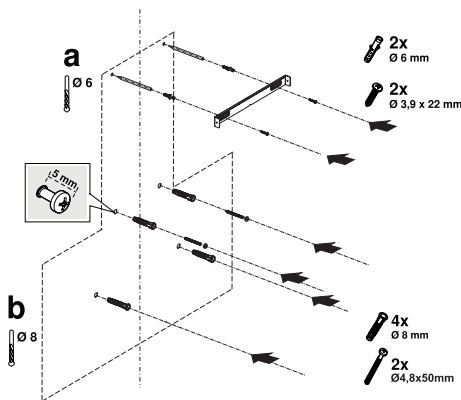
5 Montimi i pajisjes

8. 4x upa plastike Ø8mm
9. 4x vida muri 4.8x50
10. 2x vida për pllakën bashkuese të oxhakut 3.9x22
11. 4x vida për oxhakun 3.5x9.5
12. 2x vida me fund të prerë për oxhakun 3.5x9.5
13. Mbërtheçë për oxhakun
14. Reduktor plastik për oxhakun 150mm
15. Reduktor plastik për oxhakun 150/120

Informacionet që nevojiten për ta bërë vendin të përshtatshëm për montimin e aspiratorit jepen më poshtë.

5.3 Montimi në mur

- Muri duhet të jetë i sheshtë, i drejtë dhe të ketë aftësi mbajtëse të mjaftueshme.
- Thellësia e vrimave që do të shpohen duhet të përputhet me gjatësinë e bulonave.
- Bulonat dhe upat e siguruara janë të përshtatshme për muret me tulla. Për materiale të tjera ndërtimi (p.sh. karton gips, veshje metalike, beton poroz), duhen përdorur upa dhe vida të përshtatshme.



(Figura 7)

KUJDES: Para se të hapni vrimat, sigurohuni që pranë vendit ku do të shpohi me trapan të mos ketë tuba korrenti, gazi ose uji.

Vizatoni një vijë në mes të vendndodhjes së aspiratorit nga tavani pingul me skajin e poshtëm të aspiratorit.

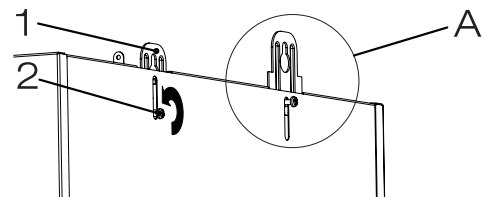
Ngjitni shabllonin e montimit të dhënë bashkë me aksesoret te sipërfaqja ku do të montohet aspiratori. Gjatë këtij veprimi, kushtojini vëmendje lartësisë së montimit të aspiratorit (Figura 6).

Ka një gjuhëz në mes të pllakës bashkuese të oxhakut. Vendoseni mesin e kësaj gjuhëze te vija që është vizatuar pingul në mur. Gjatë këtij veprimi, rregullojeni aspiratorin në përputhje me lartësinë maksimale (Figura 1). Me një stilolaps shënoni vrimat ku do të montohet pllaka bashkuese e oxhakut (Figura 7/a).

Hapni vrimat te vendet e shënuara me punto Ø6mm dhe futni 2 upa plastike te vrimat e hapura (Figura 7/a). Fiksoni në mur pllakën bashkuese të oxhakut me vidat 3,9x22 (Figura 7/a).

Për të montuar trupin e aspiratorit, mund të përdorni puntot Ø8mm për të hapur vrima në pikat A, B, C, D të shabllonit të montimit dhe në këto pika futni upat plastike 4.8x50mm. (Figura 7/b).

2 copë vida mbajtëse 4.8x50 me një hapësirë 5 mm midis kokës së vidës dhe murit (Figura 7/b).



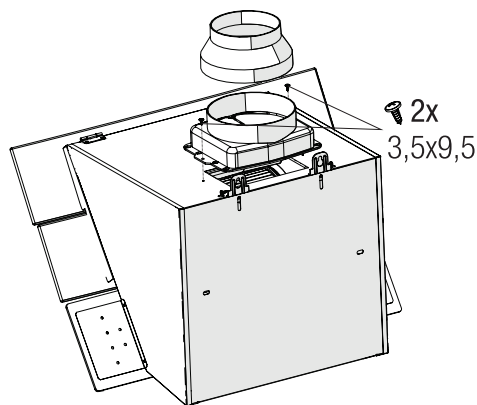
(Figura 8)

1. Pllakëz mbajtëse
2. Vidë për pllakëzën mbajtëse

Për ta montuar aspiratorin në mur, lironi vidat te pllakëzat mbajtëse montuar te kabina e motorit dhe hiqini, pastaj mbërthejini përsëri (Figura 8/A).

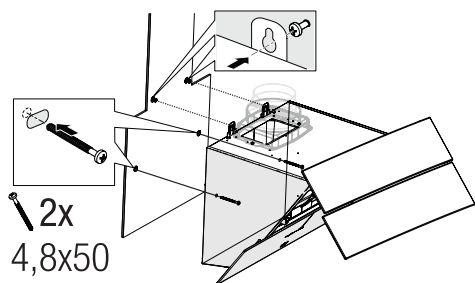
Ngrini xhamin e aspiratorit dhe hiqni filtrin prej alumini të yndyrës (Figura 4).

5 Montimi i pajisjes



(Figura 9)

Bashkoheni reduktorin plastik për oxhakun 150mm të përfshirë në paketim me trupin e produktit me vidat me fund të prerë 3.5x9.5. Nëse dalja e ajrit duhet të lidhet me tubin e shkarkimit të ajrit më të vogël se 150mm, montoni reduktorin plastik për oxhakun 150 / 120mm (Fig. 9).

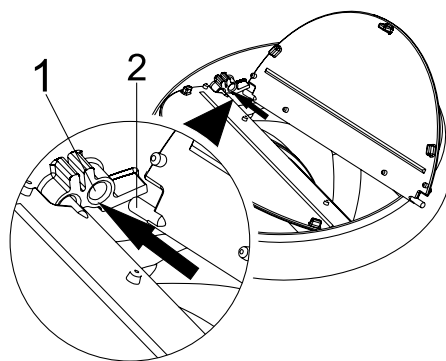


(Figura 10)

Mbajeni aspiratorin e kuzhinës te trupi i tij dhe vendoseni te vidat e montimit në mur dhe shtrëngojini vidat (Figura 10).

Fiksojeni e kuzhinës në mur me dy vida 4.8x50 nga vrimat e montimit që gjenden në anën e brendshme të pajisjes (Figura 10).

5.4 Lidhja me oxhakun



(Figura 11)

1. Foleja e kunjit të fletës
2. Kunji i fletës

Futni kunjin plastik (Figura 11/zona nr. 2) te foleja e kunjit në tubin shkarkues të motorit (Figure 11/ zona nr.1). Pastaj përkuleni pak fletën për të futur kunjin tjetër të fletës dhe futeni kunjin tjetër në folenë e vet (Figura 11).

Nëse do të përdorni reduktorin plastik të oxhakut Ø 120/150 mm, lidhni njërin skaj të tubit me këtë reduktor, nëse nuk do ta përdorni, drejtpërdrejt te gryka dalëse e produktit. Lidhni anën tjetër të tubit me oxhakun. Kontrolloni që këto dy lidhje të jenë shtrënguar mjaftueshëm që të mos dalin nga vendi kur pajisja të punojë me tërë fuqinë. Sigurohuni që fletët brenda oxhakut të punojnë pas fiksimit me mbërtheckë. Lidhni tubin bashkues me oxhakun nga ana e jashtme e reduktorit (Figura 12/a). Nëse tubi bashkues vendoset brenda reduktorit, nuk do të thithet ajri pasi fletët e oxhakut që pengojnë rikthimin e ajrit do të qëndrojnë të mbyllura (Figura 12 / b). Gjatësia e tubit bashkues si edhe numri i bërlylave duhet të jenë sa më minimale.

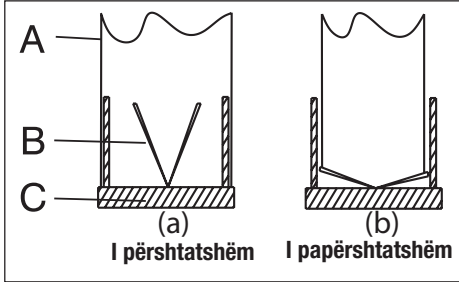
A : Tubi dalës i oxhakut

B : Kapëset e oxhakut

C: Oxhaku plastik

5 Montimi i pajisjes

Valvulat mbylLEN kur pajisja nuk punon dhe pengon që erërat dhe pluhurat nga jashtë të mos hyjnë brenda.

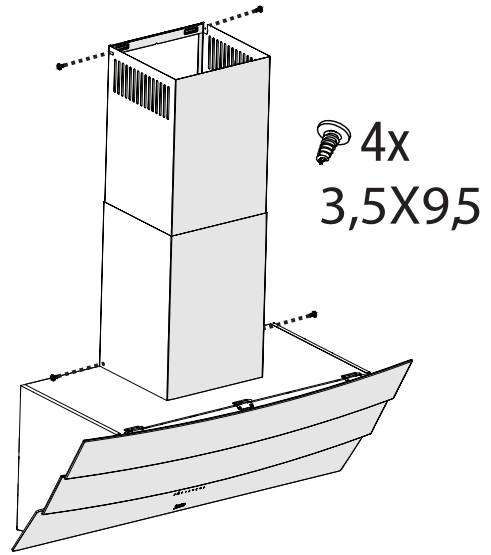


(Figura 12)

5.5 Montimi i aspiratorit me oxhakun

Bëni lidhjen elektrike të aspiratorit para se të filloni montimin e oxhakut. Hiqini pllakëzat e oxhakut që janë përreth trupit duke i rrëshqitur. Mbërthejeni me vida oxhakun te pllakëzat mbajtëse të oxhakut që ndodhen në kabinën e motorit. (Figura 13).

Montojeni oxhakun te pllaka bashkuese e oxhakut që është mbërthyer në mur duke e vendosur nga cepat e tij të jashtëm që ndodhen sipër (Figura 13).



(Figura 13)

5.6 Ruajtja

- Nëse nuk planifikoni të përdorni pajisjen për një kohë të gjatë, largojeni atë me kujdes.
- Ju lutemi, kontrolloni nëse pajisja është e fikur, e ftohtë dhe e thatë plotësisht.
- Largojeni pajisjen në një vend të thatë dhe të ftohtë ku fëmijët nuk mund ta kapin.

5.7 Trajtimi dhe transporti

- Kur lëvizni apo transportoni pajisjen mabjeni atë e paketuar në ambalazhin origjinal. Ambalazhi e mbron pajisjen nga dëmtimet fizike.
- Mos e vendosni asnjë ngarkesë në pajisjen ose ambalazhin. Pajisja mund të dëmtohet.
- Kini kujdes që pajisja mos të bjerë poshtë, pra kjo mund të shkaktojë dëmtimet e përrherëshme dhe mosfunksionimi i pajisjes.

6 Zgjidhja e problemeve

Zgjidhja e problemeve	Shkaku	Ndihma
Pajisja nuk punon.	Kontrolloni siguresat.	Siguresa mund të ketë plasur, kontrollojeni dhe ndërrojeni.
Pajisja nuk punon.	Kontrolloni lidhjen elektrike.	Voltazhi kryesor duhet të jetë nga 220 deri në 240 V.
Pajisja nuk punon.	Kontrolloni lidhjen elektrike.	Kontrolloni nëse punojnë pajisjet e tjera në kuzhinë.
Drita ndriçuese nuk punon.	Kontrolloni lidhjen elektrike.	Voltazhi kryesor duhet të jetë nga 220 deri në 240 V.
Drita ndriçuese nuk punon.	Kontrolloni çelësin e llambës.	Çelësi i llambës duhet të jetë në pozicionin "ndezur".
Drita ndriçuese nuk punon.	Kontrolloni llambat	Llambat e pajisjes duhet të ndriçojnë.
Sasia e ajrit që futet në pajisje është e papërshtatshme.	Kontrolloni filtrin prej alumini.	Nën kushte normale pune, filtri prej alumini i yndyrës duhet pastruar të paktën një herë në muaj.
Sasia e ajrit që futet në pajisje është e papërshtatshme.	Kontrolloni oxhakun e shkarkimit të ajrit.	Oxhaku i shkarkimit të ajrit duhet të jetë në pozicionin "hapur".
Sasia e ajrit që futet në pajisje është e papërshtatshme.	Kontrolloni filtrin prej karboni.	Filtrat e pajisjeve me filtra karboni duhen ndërruar një herë në 3 muaj në kushte normale.

Најпре прочитајте овај приручник!





Поштовани купци,

Захваљујемо вам што сте одабрали производ компаније Веко. Желимо да постигнете оптималну ефикасност овог висококвалитетног производа који је произведен уз примену врхунске технологије. Обавезно прочитајте и схватите у потпуности овај приручник и додатну документацију пре употребе, и исти чувати за накнадне референце. Не одвајајте овај приручник од јединице ако желите да је предате неком другом лицу. Придржавајте се свих упозорења и информација датих овде и следите упутства.

Имајте на уму да се овај кориснички приручник може примењивати на неколико модела производа. Приручник јасно указује на све варијације код различитих модела.

Симболи и њихова значења

Симболи наведени у наставку су употребљени у овом приручнику:

	Важне информације и препоруке у вези с коришћењем уређаја.
	ОПРЕЗ: Упозорења на личне повреде или оштећење имовине.
	ОПРЕЗ: Упозорење за електрични удар.
	Опасност од пожара.



RECIKLIRANI I RE-
CIKLABILNI PAPIR

1 Важна упутства у вези са безбедношћу и заштитом животне средине

1.1 Општа безбедност

- Важна упутства у вези са безбедношћу пажљиво прочитајте и и сачувајте их за будућу употребу. Овај одељак садржи упутства у вези са безбедношћу која ће вам помоћи у заштити од опасности од пожара, струјног удара, изложености цурењу микроталасне енергије, личних повреда или оштећења имовине. Непоштовање ових упутстава поништава одобрену гаранцију.
- Веко производи су у складу са важећим безбедносним стандардима; према томе, у случају било каквих оштећења на уређају или каблу за напајање, исте треба да поправи или замени продавач, сервисни центар или стручно лице и ов-

лашћени сервис како би се избегла било каква опасност. Неисправни или неквалификовани радови на поправци могу бити опасни и могу довести до опасности за корисника.

- Овај апарат је намењен за употребу у домаћинствима и сличним објектима као што су:
 - кухиње за запослене у продавницама, канцеларијама и другим радним окружењима;
 - куће на фармама;
 - од стране клијената у хотелима и осталим стамбеним окружењима;
 - објекти који нуде ноћење и доручак.
- Управљајте уређајем према предвиђеној намени само како је описано у овом упутству.
- Произвођач не може бити одговоран за штету

насталу непрописном уградњом или злоупотребом производа.

- Овај уређај могу да користе деца која имају 8 и више година, особе са непотпуно развијеним телесним, чулним или менталним способностима, као и особе које немају довољно потребног искуства и знања све док су под надзором или им се дају упутства у погледу безбедне употребе уређаја и док схватају ризике који су обухваћени употребом производа.
- Деца не смеју да се играју уређајем. Чишћење и корисничко одржавање не смеју да обављају деца без надзора.
- Минимална удаљеност између носеће површине посуда за кување на плочи за кување и најнижег дела вашег производа мора бити најмање 65 цм.

• Ако је упутствима за уградњу плинске плоче дефинисана већа удаљеност, то се мора узети у обзир.

• Ваше мрежно напајање струјом мора бити у складу са информацијама на плочици на уређају.

• Никада не користите уређај ако је кабл за напајање или сам уређај оштећен.

• Спречите оштећење кабла за напајање тако што га нећете стискати, савијати или трљати по оштрим ивицама. Држите кабл за напајање даље од врућих површина и извора пламена.

• Уређај користите само са уземљеном утичницом.

УПОЗОРЕЊЕ: Не прикључујте уређај на напајање пре потпуне уградње уређаја.

- Поставите уређај на начин да утикач буде увек доступан.
- Не дирајте лампице ако су дуго радиле. Могу вам створити опекотине на рукама јер ће бити загрејане.
- Придржавајте се прописа који су утврдили надлежни органи о испусту издувног ваздуха (ово упозорење није применљиво за употребу без димњака).
- Укључите уређај након што ставите лонац, таву итд. на плочу за кување. У супротном, велика топлота може проузроковати деформације у неким деловима вашег производа.
- Искључите плочу пре него што са ње склоните лонац, таву итд.
- Не остављајте вруће уље на плочи за кување. Посуде са врућим уљем могу изазвати само-сагоревање.
- Обратите пажњу на завесе и прекриваче, јер се уље може запалити док спремате храну као што је помфрит.
- Филтер за масноће треба чистити најмање једном месечно. Карбонски филтер се мора заменити најмање једном у свака 3 месеца.
- Производ се чисти у складу са упутством за коришћење. Ако чишћење није извршено у складу с упутствима за коришћење, може доћи до опасности од пожара.
- Не користите материјале за филтрирање који нису отпорни на ватру уместо тренутног филтера.
- Користите само оригиналне делове или делове које је препоручио произвођач.

- Не користите производ без филтера и не уклањајте филтере док је производ у функцији.
- У случају појаве пламена, искључите ваш производ и уређаје за кување са напајања електричном енергијом.
- У случају појаве пламена, прекријте пламен и никада не користите воду за гашење.
- Искључите уређај са напајања пре сваког чишћења и када уређај не користите.
- Негативни притисак у околини не би требало да пређе 4 Pa (4 x 10 бара) док истовремено раде аспиратор за електричну плочу и уређаји који раде на другој врсти енергије а не на струју.
- У окружењу у којем се користи уређај, испусни отвор уређаја који раде на лож-гориво или плин, као што су собна грејна тела, мора бити апсолутно изолован или уређај треба да буде херметичног типа.
- При повезивању одводне цеви користите цеви пречника 120 или 150 mm. Прикључак цеви мора бити што краћи и имати што је могуће мање преламања.

Опасност од гушења!

Амбалажу држите ван дохвата деце.

ОПРЕЗ: Приступачни делови се могу загријати када се користе са уређајима за кување.

- Излазни отвор производа не сме бити повезан са ваздушним каналима који спроводе другу врсту дима.
- Вентилација у просторији може бити недовољна када се аспиратор за електричну плочу користи истовре-

1 Важна упутства у вези са безбедношћу и заштитом животне средине

мено са уређајима који раде на плин или друга горива (ово можда није применљиво на уређаје који само доводе ваздух у просторију).

- Предмети стављени на производ могу пасти. Не стављајте никакве предмете на производ.
- Не фламбирајте храну испод производа.

УПОЗОРЕЊЕ: Пре уградње аспиратора уклоните заштитне фолије.

- Никада не остављајте високо отворен пламен испод аспиратора док је исти у функцији
- Фритезе са дубоким уљем морају се непрестано надгледати током употребе: прегрејано уље може да плане.

1.2 Усаглашеност са WEEE директивом и одлагање отпада:

Овај производ је усаглашен са WEEE директивом Европске уније (2012/19/EU). Овај уређај поседује симбол класификације за отпад електричне и електронске опреме (WEEE).

Овај симбол означава да се овај производ не сме одлагати заједно с осталим отпадом из домаћинства на крају његовог радног века. Коришћени уређај мора се вратити на службено сабирно место за рециклирање електричних и електронских уређаја. Да бисте пронашли ове сабирне системе, обратите се локалним надлежним телима или продавцу где је производ купљен. Свако домаћинство има важну улогу у опораци и рециклажи старих уређаја. Одговарајуће одлагање искоришћеног уређаја помаже у спречавању потенцијалних негативних последица по животну средину и здравље људи.

1.3 Усклађеност са директивом RoHS

Производ који сте купили у сагласности је са RoHS директивом Европске уније (2011/65/EU). Он не садржи штетне и забрањене материјале наведене у Директиви.

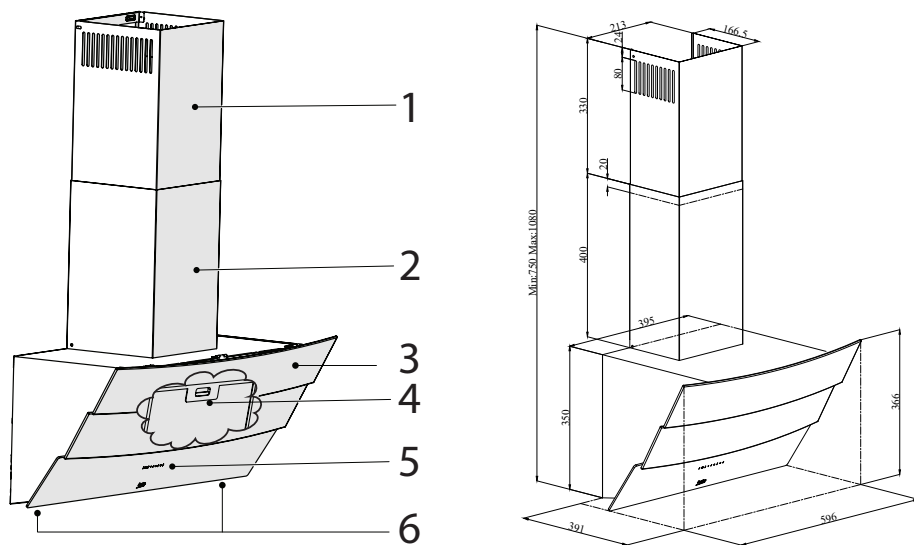
1.4 Информације о паковању



Амбалажни материјали овог производа су направљени од материјала који могу да се рециклирају у складу са националним прописима о заштити животне средине. Амбалажне материјале не одлагати заједно са отпадом из домаћинства или другим отпадом. Однесите их на места за прикупљање амбалажног материјала одређена од стране локалних надлежних тела.

2 Општи изглед

2.1 Приказ



1. Унутрашњи димњак
2. Спољни димњак
3. Кућиште
4. Алуминијумски филтер за масноће (Иза стакленог поклопца)
5. Контролна табла
6. Светло

(Слика 1.)

2.2 Технички подаци

Model	HCA62640B	HCA62640W
Напон	220-240V ~ 50 Hz	
Снага лампице	2x3 W	
Снага мотора	210 W	
Проток ваздуха – 3. Ниво	582 m ³ /h	
Класа изолације мотора	Класа F	
Класа изолације	Класа I	

3 Руковање уређајем

3.1 Контрола уређаја

	
ТИПКА	ФУНКЦИЈА
A : Укључено/ Искључено светло	Можете осветлити површину за кување притиском на ову типку. Поновно притисните типку да бисте искључили лампицу.
B : 1. Дугме за фазу	Управља уређајем у 1. брзини. Кад поновно притиснете ово дугме за искључивање уређаја, искључује се степен брзине на екрану.
C : 2. Дугме за фазу	Управља уређајем у 2. брзини. Кад поновно притиснете ово дугме за искључивање уређаја, искључује се степен брзине на екрану.
D : 3. Дугме за фазу	Управља уређајем у 3. брзини. Кад поновно притиснете ово дугме за искључивање уређаја, искључује се степен брзине на екрану.

3.2 Ефикасна употреба у сврху уштеде енергије

- Кад користите уређај, подесите поставке брзине према интензитету паре и мириса, да бисте уштедели енергију.
- Користите ниске брзине (1-2) у нормалним условима, а велике брзине (3) за интензиван мирис и испаравање.
- Лампице на аспиратору су постављене за осветљавање подручја кувања.
- Њихова употреба за осветљење околног простора узрокује непотребне трошкове енергије и недовољно осветљење.
- Да би вањ уређај трошио мање енергије, покрените га при малој брзини.
- Вањ уређај ће смањити потрошњу енергије јер ће радити ефикасније када му обезбедите довољан unos ваздуха.
- Подесите уређај на интензивну снагу уписивања пре стварања паре, у случајевима када знате да ће доћи до густе паре. Дакле, смањујете потрошњу енергије тако што ћете свој уређај користити краће време јер ће имати довољан unos ваздуха.
- Држите poklopce посуда затвореним да бисте смањили стварање паре.

3.3 Рад аспиратора

- Вањ уређај има мотор с различитим брзинама.
- За бољи учинак препоручујемо употребу ниских брзина у нормалним условима и велике брзине у случају јаких мириса и интензивне паре.

3 Руковање уређајем

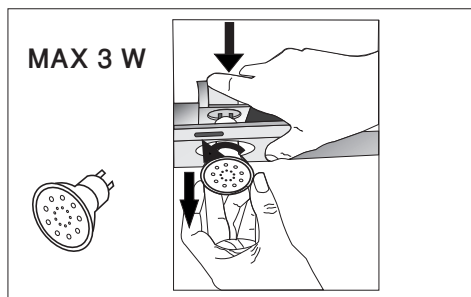
- Уређај можете покренути притиском на типку за подешавање жељене брзине. (Б, Ц, Д)
- Подручје за кување можете осветлити притиском на лампицу. (А)

3.4 Аутоматско заустављање

Ваш уређај има функцију аутоматског заустављања, што му омогућава да се вентилира још мало и уклони нежељене мирисе и пару из околине и аутоматски се искључи након завршетка кувања. Да бисте омогућили функцију аутоматског заустављања, притисните типку за било који степен брзине (Б, Ц, Д) на управљачкој плочи дуже од 2 секунде; активира се функција 15-минутног мерача времена. Када је активна функција аутоматског заустављања, притиском на типку за исту брзину онемогућиће се функција аутоматског заустављања и мотор уређаја ће се зауставити. Ова функција је онемогућена кад прелазите између различитих степена брзине.

Ако желите да се уређај аутоматски заустави, морате поновно омогућити функцију аутоматског заустављања.

3.5 Замена лампице



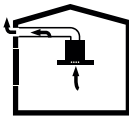
(Слика 3.)

Прикључите уређај на мрежу напјања електричном енергијом. Ваш уређај користи директне ЛЕД лампице од 3W. Да бисте заменили лампице, гурните држач са задње стране одоздо према доле, окрените га у смеру супротном од казаљке на сату и извадите га према доле. Примените наведену операцију обрнутим поступком да бисте уградили нове лампице (Слика 3).

Сијалица	
Снага сијалице	3 W
Држач/утичница	GZ 10
Напон сијалице	220 - 240 V
Величина	53x50 mm
ILCOS код	DR/F3-220-240-GZ10-50-53
Svetlosni tok	260 lm
Odgovarajuća temperatura boje	3000 K

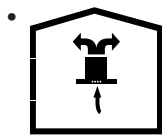
Ovaj proizvod sadrži izvor svetla klase energetske efikasnosti F.

3.6 Рад са прикључком на димњак

-  Пара се одводи кроз димоводни канал, који је причвршћен на прикључну главу на аспиратору.
- Промер димоводног канала мора бити исти као и прикључни прстен. У хоризонталним поставкама цев мора имати благи нагиб према горе (око 10°) да би ваздух могао лако изаћи из просторије.

3 Руковање уређајем

3.7 Рад без прикључка на димњак



- Ваздух се филтрира кроз карбонски филтер и рециркулира у просторији. Карбонски филтер се користи када није могуће користити димовод у кући.
- У случају употребе без димовода, уклоните заклопке унутар адаптера за димовод.

- Уклоните алуминијски филтер за масноће. Да бисте уградили карбонски филтер, филтер наместите на језичке тако што ћете га центрирати на пластични комад с обе стране кућишта вентилатора. Затегните га окретањем удесно или улево.
- Замените алуминијски филтер за масноћу.

Чишћење и одржавање

Уређај треба редовно čistiti и одржавати. Ако уређај не одржавате čistим, то ће негативно uticati на радни век уређаја. Што се тиче чишћења и одржавања, пратите упутства наведена у приручнику.



Пре чишћења и одржавања, искључите производ с напајања или искључите на прекидачу.

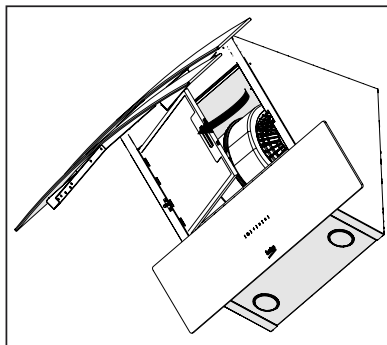


Непоштовање одређених мера предосторожности везаних за чишћење уређаја и замену филтера може довести до опасности од пожара. Због тога се препоручује да се придржавате овде наведених смерница. Произвођач није одговоран за оштећења мотора или пожара који настају услед неправилне употребе.

4.1 Чишћење алуминијског филтера за масноћу

Овај филтер сакупља честице масноће у ваздуху. Алуминијски филтери за масноћу могу променити боју приликом прања; то је нормално и не

захтева замену ваших алуминијских филтера за масноћу.



(Слика 4.)

- Гурните браву алуминијског филтера за масноћу према напред.
- Затим је лагано повуците према доле и извуците је (Слика 4). У супротном можете савити филтер. Оперите и исперите алуминијски филтер за масноћу течним детерџентом и вратите алуминијски филтер за масноћу на његово место тако што ћете извести горе наведене кораке обрнутим редоследом.

4 Чишћење и одржавање

Овај филтер сакупља честице масноће у ваздуху.



Алуминијски филтери за масноћу можете опрати у машини за прање судова.



ОПРЕЗ: У случају нормалне употребе, очистите филтер једном месечно.

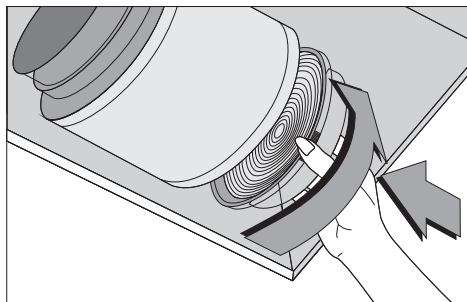


ОПРЕЗ

- Карбонски филтер се никада не пере.
- Замените карбонске филтере једном свака 3 месеца.
- Карбонски филтер можете набавити код овлашћених сервиса.

4.2 Замена карбонских филтера

Филтери за уклањање мириса садрже угљен (активни угљен). У производу морају бити уграђени филтери за масноћу, без обзира на то употребљавате ли карбонске филтере или не.



(Слика 5.)

- Уклоните алуминијске филтере за масноћу (Слика 4).
- Да бисте уклонили карбонски филтер, извадите га из његовог кућишта тако што ћете га окренути у смеру супротном од казаљке на сату (Слика 5).
- Уградите нови карбонски филтер.
- Уградите алуминијске филтере за масноћу.

5 Уградња уређаја



УПОЗОРЕЊЕ: Пре започињања уградње прочитајте безбедносне информације у корисничком приручнику.

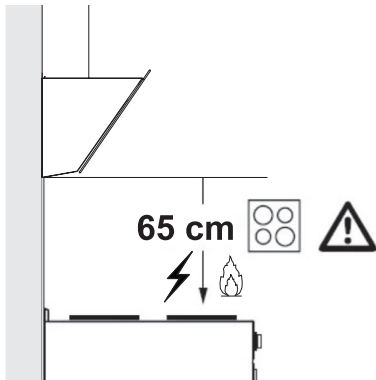


УПОЗОРЕЊЕ: Ако не поставите шrafoве или уређај за причвршћивање у складу с овим упутствима, може доћи до опасности од електричне енергије.

За уградњу аспиратора обратите се најближем овлашћеном сервису.

Корисник је одговоран да припреми локацију и електричну инсталацију за аспиратор.

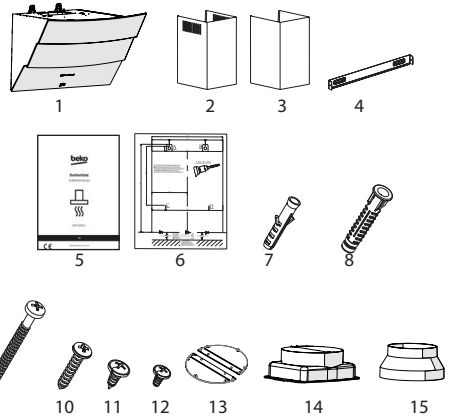
5.1 Положај уређаја



(Слика 6.)

- Пре монтирања мора се узети у обзир удаљеност између штедњака и аспиратора. Та удаљеност треба да буде 65 cm (Слика 6).
- Удаљеност се мора мерити од површине решетке за плинске штедњаке, од површине стакла за електричне штедњаке.

5.2 Прибор за уградњу



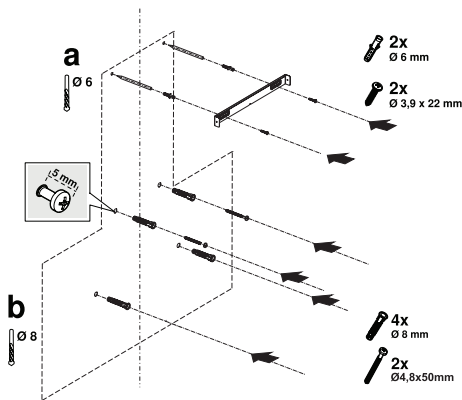
1. Производ
2. Унутрашњи димњак
3. Спољни димњак
4. Плоча за прикључак на димњак
5. Упутство за коришћење
6. Образац монтаже
7. 2x Ø6mm пластични клип
8. 4x Ø8mm пластични клип
9. 4x 4.8x50 вијак за зидну монтажу
10. 2x 3,9x22 вијак за плочу за прикључак на димњак
11. 4x 3.5x9.5 вијак за прикључак на димњак
12. 2x 3.5 x 9.5 вијак са тупим завршетком
13. стезаљка за димњак
14. 150mm адаптер за пластични димњак
15. 150/120mm адаптер за пластични димњак

Информације потребне за припрему локације прикладне за постављање аспиратора дате су у наставку.

5 Уградња уређаја

5.3 Монтажа на зид

- Зид мора бити раван, прав и имати довољну носивост.
- Дубина рупа за бушење мора бити у складу с дужином вијка.
- Испоручени вијци и клипови прикладни су за зидове од опеке. За други грађевински материјал (нпр. гипсани зид, плоча, порозни бетон) користе се одговарајући учврсни клипови и матице.



(Слика 7.)



ОПРЕЗ: Пре бушења осигурајте да у непосредној близини места бушења нема струје, плина или воде.

Нацртајте средишњу линију са плафона вертикално на доњи руб аспиратора.

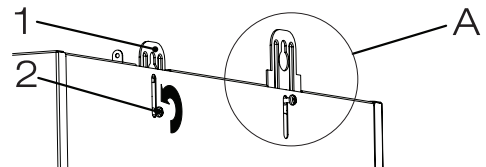
Залепите предложак за постављање који се налази унутар прибора на површину на коју треба монтирати аспиратор. При том поступку, водите рачуна о висини на којој ћете монтирати аспиратор (Слика 6).

На средини плоче за прикључак на димњак налази се језичак. Средњу тачку тог језичка поставите на линију која је нацртана вертикално на зид. При том поступку, подесите аспиратор према максималној висини (Слика 1). Помоћу оловке означите рупе на којима ће се монтирати прикључна плоча димњака (Слика 7/а).

Izbušite označene tačke bušilicom od $\varnothing 6$ mm i umetnite dva plastična klipa u izbušene rupe (Slika 7/a). Уградите плочу за прикључак на димњак на зид с вијцима 3,9x22 (Слика 7/а).

Да бисте саставили кућиште аспиратора, можете користити бушилицу од $\varnothing 8$ mm за бушење тачака А, Б, Ц, Д на предлошку за монтажу, и на ове тачке уметнути пластичне клипове димензија 4,8x50 mm. (Слика 7/б).

Уградите 2 комада монтажних вијака од 4,5x60 на тачке Ц и Д с размаком од 5 mm између главе вијка и зида (Слика 7).



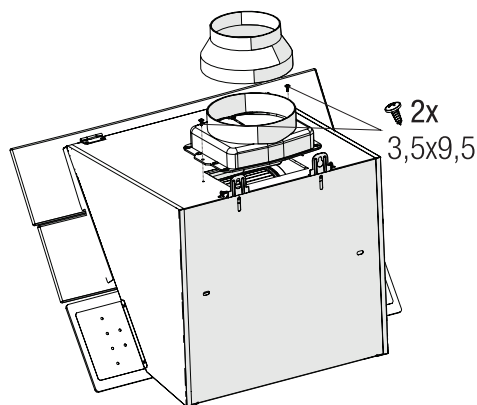
(Слика 8.)

1. Висећа плоча
2. Вијак за причвршћивање висеће плоче

Да бисте аспиратор уградили на зид, отпустите вијке на висећим плочама монтираним на кабини мотора и повуците их нагоре, а затим поново причврстите (Слика 8/А).

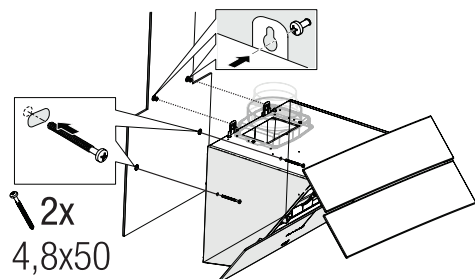
Укључите усисно стакло аспиратора и уклоните алуминијски филтер за масноћу (Слика 4).

5 Уградња уређаја



(Слика 9.)

Причврстите пластични адаптер за димовод од 150 мм који се налази у пакету на кућишту уређаја помоћу завртања с тупим завршецима 3,5 x 9,5. Ако ће излаз за ваздух бити повезан са каналом за испуштање ваздуха мањим од 150 мм, инсталирајте адаптер за димовод од 150/120 мм (слика 9).

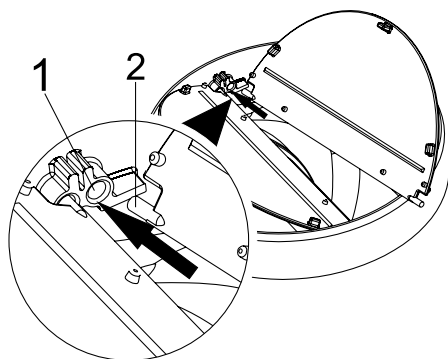


(Слика 10.)

Držite aspirator za štednjak za njegovo kućište i stavite ga na montažne vijke na zidu i pritegnite vijke (Слика 10).

Причврстите аспиратор за штедњак с вијком од 4,8x50 на зид кроз отвор за монтажу с унутрашње стране уређаја (Слика 10).

5.4 Спајање на димовод



(Слика 11.)

1. Утичница са заклопком
2. Заклопка

Уметните пластичну иглу (Слика 11/ подручје бр. 2) у утичницу заклопке на издуву мотора (Слика 11/ подручје бр. 1). Затим лагано савијте заклопку да бисте уметнули другу иглу на заклопку и уметните другу иглу у њено кућиште (Слика 11).

Ако намеравате користити адаптер за пластични димњак од \varnothing 120/150 mm, спојите један крај цеви на овај адаптер, а ако га нећете користити, онда на директни излаз на производу. Спојите други крај цеви на димњак. Проверите јесу ли ова два прикључка довољно чврста да се не раскаче када уређај буде радио пуном снагом. Водите рачуна да заклопке унутар димњака раде када се стегну стегаљком. Спојите канал прикључка на димњак изван адаптера (Слика 12/а). Ако је прикључни канал уграђен унутар адаптера, неће доћи до усисавања ваздуха јер ће димоводни отвор који спречава поврат ваздуха остати затворен (Слика 12/б).

5 Уградња уређаја

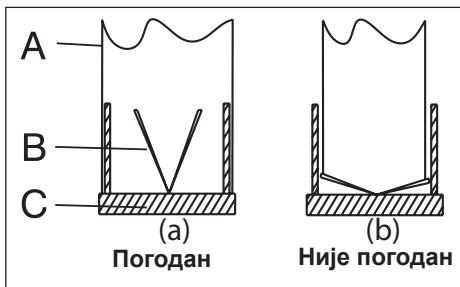
Даљина цевног прикључка мора бити што је могуће краћа, а број зглобова цеви мањи.

A : Излазна цев димњака

B : Стезаљке за димњак

C : Пластични димњак

Вентили су затворени када уређај не ради па спречавају да могући спољни мирис и прашина улазе унутра.

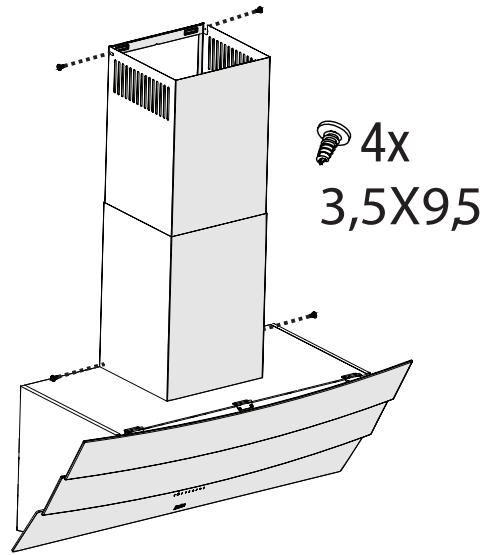


(Слика 12.)

5.5 Уградња аспиратора на димњак

Пре него што започнете уградњу димњака, обезбедите електрични прикључак за аспиратор. Гурните плоче димњака око кућишта аспиратора. Привидајте димњак на причврсне плоче димњака доступне на кабиничном мотору. (Слика 13.)

Уградите димњак на причврсну плочу димњака која је причвршћена за зид с горњих спољних ивица (Слика 13).



(Слика 13.)

5.6 Čuvanje

- Ако не planirate да користите уређај дуго време, molimo Vas да га pažljivo odložite.
- Molimo vas, proverite да li је уређај isključen, hladan и potpuno сув.
- Ostavite уређај на суво и hladно место.
- Držite уређај van домаћаја dece.

5.7 Baratanje i transport

- Tokom premeštanja и transporta nosite уређај spakovan u originalnu ambalažu. Ambalaža štiti уређај od fizičkih oštećenja.
- Ne stavlјajte teret на уређај или на ambalažu. Уређај се може oštetiti.
- Pazite да Vam уређај не padne на pod, jer то може izazvati trajnja oštećenja и kvar уређаја.

6 Решавање проблема

Решавање проблема	Изворни разлог	Помоћ
Уређај не ради.	Проверите осигураче.	Можда је осигурач прегорио, проверите и вратите га.
Уређај не ради.	Проверите прикључак на напајање електричном енергијом.	Напон мреже мора бити између 220 и 240 V.
Уређај не ради.	Проверите прикључак на напајање електричном енергијом.	Проверите раде ли други уређаји у вашој кухињи.
Расветна лампица не ради.	Проверите прикључак на напајање електричном енергијом.	Напон мреже мора бити између 220 и 240 V.
Расветна лампица не ради.	Проверите прекидач за лампицу.	Прекидач за лампицу мора бити у положају „Укључено“.
Расветна лампица не ради.	Проверите лампице.	Лампице уређаја морају светлити.
Довод ваздуха у уређају није довољан.	Проверите алуминијски филтер.	У нормалним радним условима, алуминијски филтер за масноћу се чисти најмање једном месечно.
Довод ваздуха у уређају није довољан.	Проверите одвод ваздуха (димовод).	Прекидач за одвод ваздуха (димњак) треба да буде у положају „Укључено“.
Довод ваздуха у уређају није довољан.	Проверите карбонски филтер.	Филтере уређаја с карбонским филтерима треба заменити једном у 3 месеца у нормалним условима.

Перед використанням прочитайте цей посібник!

Вельмишановний клієнте!

Дякуємо за придбання цього приладу торгової марки Веко. Ми сподіваємося, що Ви отримаєте найкращі результати від використання приладу, виготовленого за найкращими стандартами якості з використанням найсучасніших технологій. Саме тому, будь ласка, уважно й повністю прочитайте цей посібник користувача й усі інші супровідні документи перед використанням виробу та збережіть посібник для довідки в майбутньому. Передавати прилад іншій особі треба разом з посібником користувача. Дотримуйтесь інструкцій, звертаючи увагу на всю інформацію й попередження в посібнику користувача.

Пам'ятайте, що цей посібник може також застосовуватися до інших моделей. Відмінності між моделями чітко описано в посібнику.

Значення символів

У різних розділах цього керівництва використовуються такі символи:



Важлива інформація й корисні рекомендації щодо використання.



УВАГА: Попередження про небезпечні ситуації, пов'язані з безпекою для життя й майна.



УВАГА: Попередження про небезпеку виникнення пожежі.



УВАГА: Попередження про ризик ураження електричним струмом.



1.1. Загальні правила техніки безпеки

Важливі інструкції з техніки безпеки: уважно ознайомтеся та збережіть для подальшого використання. Цей розділ містить інструкції з техніки безпеки, дотримання яких допоможе виключити ризик виникнення пожежі, ураження електричним струмом, впливу витоків мікрохвильового випромінювання, отримання інших травм або заподіяння матеріальної шкоди. У разі недотримання цих інструкцій усі гарантійні зобов'язання анулюються.

- Продукція торгової марки Веко відповідає чинним стандартам безпеки; у разі пошкодження електроприладу або шнура живлення, щоб уникнути небезпечних ситуацій, ремонт або заміну повинні здійс-

нювати дилер, сервісний центр, фахівець або авторизована служба. Неправильно або непрофесіонально виконані ремонтні роботи можуть призвести до небезпечних для користувача ситуацій.

- Цей електроприлад призначено тільки для побутового й подібного застосування, а саме:
 - у кухонних зонах для персоналу в магазинах, офісах та інших робочих приміщеннях;
 - на фермах
 - у номерах готелів, мотелів тощо;
 - у приміщеннях, що надаються для проживання на умовах напівпансіону.
- Використовуйте цей електроприлад тільки за його безпосереднім призначенням, як описано в цьому посібнику.

1 Важливі інструкції з техніки безпеки й охорони довкілля

- Виробник не несе відповідальності за збитки, які виникли внаслідок неправильного встановлення або неналежного використання виробу.
- Цей прилад не призначено для використання дітьми віком до 8 років та особам з обмеженими фізичними, сенсорними або розумовими можливостями або особами, які не мають відповідного досвіду чи знань з використання приладу, за винятком випадків, коли вони перебувають під наглядом або проінструктовані щодо використання пристрою в безпечний спосіб і розуміють небезпеку.
- Використання дітьми виробу як іграшки заборонено. Очищення й обслуговування не мають здійснювати діти без нагляду.
- Мінімальна відстань між опорною поверхнею ємності для приготування їжі на варильній поверхні й найнижчою частиною виробу має бути не менше 65 см.
- Якщо інструкція щодо встановлення газової варильної поверхні вказує більшу відстань, такі рекомендації треба брати до уваги.
- Переконайтеся, що ваша електрична мережа відповідає вимогам, зазначеним на паспортній табличці приладу.
- У жодному разі не користуйтеся електроприладом, якщо шнур живлення або сам електроприлад пошкоджено.
- Намагайтеся запобігати пошкодженню кабелю живлення: уникайте його стискання, згинання або контакту з гострими предметами. Не три-

майте кабель живлення біля гарячих поверхонь і відкритого вогню.

- Під'єднання приладу треба здійснювати виключно в розетку із заземлювальним контактом.

УВАГА: Не під'єднуйте прилад до електромережі до цілковитого завершення монтажних робіт.

- Розташуйте прилад так, щоб вилка була завжди доступною.
- Не торкайтеся ламп після їх тривалої роботи. Вони мають високу температуру й можуть обпекти кінцівки.
- Дотримуйтеся визначених компетентними органами правил щодо відведення повітряних мас (це попередження не застосовується для використання без газовідводів).

- Експлуатація приладу здійснюється після розміщення на варильній поверхні каструлі, сковорідки тощо. Інакше висока температура може спричинити деформування деяких деталей виробу.

- Перед зняттям каструлі, сковорідки тощо вимкніть варильну поверхню.

- Не залишайте гарячу олію на варильній поверхні. Сковорідки із залишками гарячої олії можуть загорітися.

- Зверніть увагу на штори й чохла, оскільки олія може загорітися під час приготування їжі, наприклад картоплі фрі.

- Заміну жировловлювального фільтра треба здійснювати щонайменше раз на місяць. Заміну вугільного фільтра треба здійснювати

1 Важливі інструкції з техніки безпеки й охорони довкілля

- щонайменше раз на 3 місяці.
- Чищення виробу треба виконувати відповідно до рекомендацій, зазначених у посібнику користувача. Якщо чищення виробу виконувалося не відповідно до рекомендацій посібника користувача, існує ризик виникнення пожежі.
- Використання протипожежних фільтрувальних матеріалів замість поточного фільтра заборонено.
- Використовуйте лише оригінальні деталі або ж деталі, рекомендовані виробником.
- Використання виробу без фільтра й виймання фільтрів під час роботи виробу заборонено.
- У разі виникнення пожежі вимкніть живлення виробу й кухонних приладів.
- У разі виникнення пожежі накрийте полум'я та ніколи не використовуйте воду для його гасіння.
- Від'єднуйте прилад від електромережі перед кожним чищенням, а також коли він не використовується.
- Під час одночасної роботи витяжки для електричної варильної панелі або для приладів, що працюють на іншому виді енергії, відмінної від електрики, від'ємний тиск навколишнього середовища не повинен перевищувати 4 Па (4 x 10 бар).
- У приміщенні, де використовується прилад, вихлопні гази пристроїв, що працюють на мазуті або газі, наприклад нагрівача приміщення, повинні бути абсолютно ізольованими або ж такий пристрій повинен

мати герметичне виконання.

- Під час під'єднання газовідводу використовуйте труби діаметром 120 або 150 мм. Трубопровід має бути якомога коротшим і мати якомога меншу кількість колін.

Небезпека задухи!

Зберігайте пакувальні матеріали в недоступному для дітей місці.

Обережно! Під час використання кухонних приладів легкодоступні деталі можуть нагріватися.

- Випускний отвір виробу не можна під'єднувати до повітряних каналів, де є інший дим.
- Коли витяжка для електричної варильної панелі використовується одночасно з пристроями, що працюють на газі чи іншому паливі (це може не стосуватися приладів, які лише випускають повітря в при-

міщення), вентиляування в приміщенні може бути недостатнім.

- Розміщені на виробі предмети можуть упасти. Не розміщуйте на витяжці будь-які предмети.
- Фламбування страв, які розташовано під виробом, заборонено.

УВАГА: Перед установленням витяжки зніміть захисну плівку.

- Ніколи не залишайте джерела високого відкритого полум'я під витяжкою, яка працює
- Треба забезпечити постійний контроль фритюрниць під час їх роботи: перегріта олія може спалахнути.

1.2 Відповідність вимогам Директиви щодо утилізування відходів електричного й електронного обладнання (WEEE) та утилізування продукту:

Цей пристрій відповідає вимогам Директиви EU WEEE (2012/19/EU). Цей виріб має класифікаційний знак утилізування відходів електричного й електронного обладнання (WEEE).



Цей знак означає, що цей виріб після завершення строку служби не підлягає утилізуванню разом з іншими побутовими приладами.

Уживаний пристрій треба здавати до офіційного пункту утилізування електричного й електронного обладнання. Інформацію щодо розташування таких пунктів можна отримати в місцевих органах влади або в точці роздрібного продажу, де було придбано виріб. Кожне домоволодіння відіграє важливу роль у відновленні й переробці старих побутових приладів. Належне утилізування використаних приладів сприяє запобіганню негативних наслідків для довкілля та здоров'я людини.

1.3 Відповідність вимогам Директиви ЄС щодо обмеження використання небезпечних речовин

Пристрій, який ви придбали, відповідає вимогам Директиви ЄС щодо обмеження використання небезпечних речовин (2011/65/EU). Пристрій не містить шкідливих і заборонених речовин, указаних у Директиві.

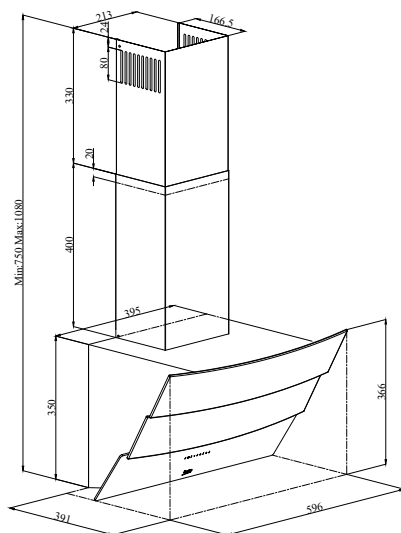
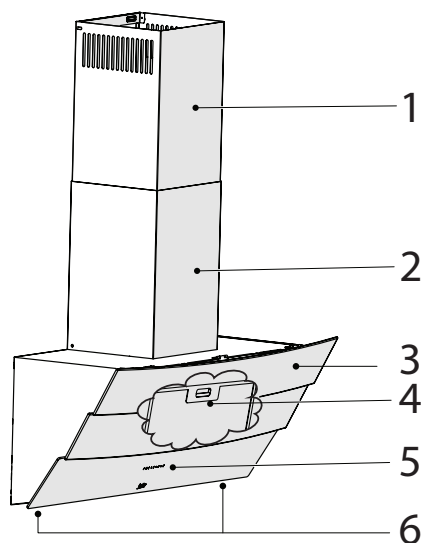
1.4 Інформація про пакування



Пакувальні матеріали виробу виготовлені з матеріалів вторинної переробки, відповідно до наших Національних природоохоронних норм. Не утилізуйте пакувальні матеріали разом із побутовими й іншими відходами. Здавайте їх у спеціальні пункти приймання тари, споруджені місцевими службами.

2 Загальний вигляд

2.1 Огляд



(Рис. 1)

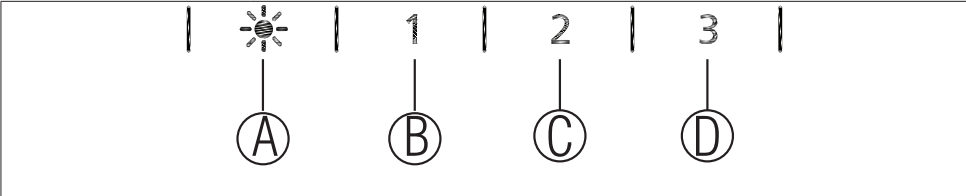
1. Внутрішній димохід
2. Зовнішній димохід
3. Корпус
4. Фільтр для уловлювання жиру (за скляною кришкою)
5. Пульт керування
6. Освітлення

2.2 Технічні дані

Модель	HCA62640B	HCA62640W
Напруга та частота живлення	220–240 В ~ 50 Гц	
Потужність лампи	3 Вт (2 шт.)	
Потужність двигуна	210 Вт	
Швидкість потоку — 3 рівні	582 м³/год	
Клас ізоляції двигуна	Клас F	
Клас ізоляції	Клас I	

3 Експлуатація пристрою

3.1 Керування пристроєм

	
ПРИЗНАЧЕННЯ	КНОПОК
A : Світло увімкн./вимкн.	Натисканням цієї кнопки освітлюється зона приготування. Щоб вимкнути лампу, треба натиснути цю кнопку ще раз.
B : 1. Кнопка вибору ступеня швидкості	Пристрій працює на 1-й швидкості. Після повторного натискання цієї кнопки для вимикання пристрою екран відображення ступеня швидкості вимикається.
C : 2. Кнопка вибору ступеня швидкості	Пристрій працює на 2-й швидкості. Після повторного натискання цієї кнопки для вимикання пристрою екран відображення ступеня швидкості вимикається.
D : 3. Кнопка вибору ступеня швидкості	Пристрій працює на 3-й швидкості. Після повторного натискання цієї кнопки для вимикання пристрою екран відображення ступеня швидкості вимикається.

3.2 Ефективне використання з точки зору енергозбереження

- Щоб заощадити електроенергію, під час використання пристрою налаштуйте швидкість відповідно до інтенсивності пари та запаху.
- За нормальних умов використання рекомендується встановлювати низьку швидкість (1–2), а в разі інтенсивних запаху та пари — високу (3).
- Лампи, розміщені на витяжці, призначені для освітлення кухонної зони.
- Їхнє використання для освітлення приміщення стане причиною непотрібних витрат енергії та недостатньо ефективного освітлення.

3.3 Експлуатація витяжки

- Придбаний пристрій містить двигун, який працює на різних швидкостях.
- Для досягнення кращої ефективності рекомендується використовувати низькі швидкості за нормальних умов і високі швидкості в разі сильного запаху та інтенсивної пари.
- Пристрій запускається шляхом натискання кнопки потрібної швидкості. (B,C,D)
- Щоб освітити зону приготування, можна натиснути кнопку вмикання лампи. (A)

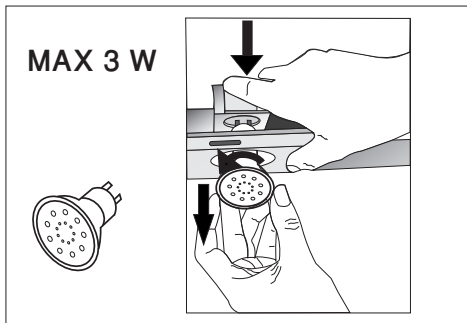
3 Експлуатація пристрою

3.4 Автоматичний зупин

Придбаний пристрій оснащено функцією автоматичного зупину, що дозволяє йому довше вентилювати приміщення та видаляти небажані запахи та пару, що скопилися всередині приміщення, а також автоматично вимикатися після закінчення приготування. Щоб увімкнути функцію автоматичного зупину, натисніть і утримуйте будь-яку кнопку ступеня швидкості (B, C, D) на панелі керування довше 2 секунд, після чого активується функція 15-хвилинного таймера. Якщо функція автоматичного зупину активна, після натискання тієї ж кнопки швидкості функція автоматичного зупину вимикається, а двигун пристрою зупиняється. Ця функція вимикається також у разі перемикання між різними ступенями швидкості.

Для того, щоб забезпечити автоматичне вимикання пристрою, потрібно знову активувати функцію автоматичного зупину.


3.5 Заміна лампи



(Рис. 3)

Виконайте підключення пристрою до електромережі. У придбаному пристрої використовується точкова світ-

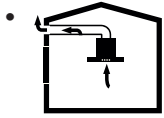
лодіодна лампа потужністю 3 Вт. Щоб замінити лампу, натисніть вниз на тримач ззаду, поверніть його проти годинникової стрілки та потягніть згори вниз. Для встановлення нових ламп виконайте описану вище процедуру у зворотному порядку (рис. 3).

Лампа	
Потужність лампи	3 Вт
Тримач/Гніздо	GZ 10
Напруга лампи	220–240 В
Розмір	53 x 50 мм
Код за системою міжнародного кодування ламп (ILCOS)	DR/F3-220-240-GZ10-50-53
Світловий потік	260 lm
Корельована колірна температура	3000 К

Цей виріб містить джерело світла, яке відноситься до класу енергоефективності F.

3 Експлуатація пристрою

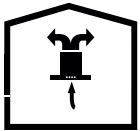
3.6 Експлуатація з під'єднаним димоходом



Пара витягується через димовідвід, який кріпиться до з'єднувальної головки на витяжці.

- Необхідно, щоб діаметр димоходу дорівнював діаметру з'єднувального кільця. Необхідно, щоб у горизонтальних положеннях труба мала невеликий нахил вгору (близько 10°), щоб повітря легко виходило з приміщення.

3.7 Експлуатація без під'єданого димоходу



Повітря фільтрується через вугільний фільтр і рециркулює в приміщенні. Вугільний фільтр використовується в

разі, якщо в будинку неможливо застосувати димохід.

- У разі експлуатації без димоходу видаліть засувки всередині перехідника для димоходу.
- Зніміть фільтр для уловлювання жиру. Щоб виконати монтаж вугільного фільтра, встановіть його на язички, відцентрувавши на пластиковій деталі з обох боків корпусу вентилятора. Закріпіть його, повернувши праворуч або ліворуч.
- Встановіть алюмінієвий фільтр для уловлювання жиру на місце.

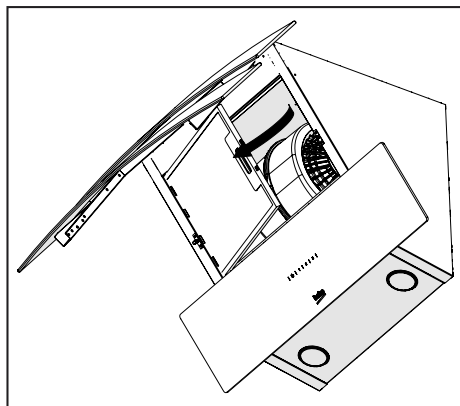
4 Чищення та обслуговування



Перед чищенням та обслуговуванням відключіть виріб від мережі або поверніть вимикач у положення «Вимкн.».

4.1 Чищення алюмінієвого фільтра для уловлювання жиру

Цей фільтр утримує частинки жиру, що знаходяться в повітрі. Алюмінієві фільтри для уловлювання жиру можуть змінювати колір під час миття; це нормальне явище, тому немає необхідності в заміні цих фільтрів.



(Рис. 4)

- Посуньте замок алюмінієвого фільтра для уловлювання жиру вперед.
- Потім потягніть його трохи вниз і витягніть (рис. 4). Якщо не дотримуватися цього правила, можна зігнути фільтр. Промийте алюмінієвий фільтр для уловлювання жиру рідким миючим засобом і прополощіть його, а потім встановіть у його гніздо, виконавши описані вище дії

в зворотному порядку. Цей фільтр утримує частинки жиру, що знаходяться в повітрі.



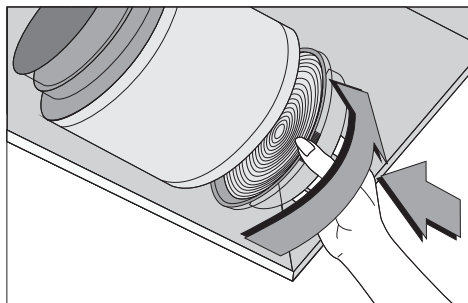
Алюмінієві фільтри для уловлювання жиру можна мити в посудомийній машині.



ЗАСТЕРЕЖЕННЯ. За нормальних умов експлуатації очищуйте фільтр раз на місяць.

4.2 Заміна вугільних фільтрів

Фільтри для видалення запаху містять деревне вугілля (активоване вугілля). Фільтри для уловлювання жиру слід встановлювати в пристрій незалежно від того, використовуються фільтри з активованим вугіллям чи ні.



(Рис. 5)

- Зніміть алюмінієвий фільтр для уловлювання жиру (рис. 4).
- Для того, щоб зняти вугільний фільтр, треба витягнути фільтр із його корпусу, відкручуючи його з язичка проти годинникової стрілки (рис. 5).
- Встановіть новий вугільний фільтр.

- Встановіть алюмінієвий фільтр для уловлювання жиру.

**ЗАСТЕРЕЖЕННЯ**

- Забороняється мити вугільний фільтр.
- Заміняйте вугільні фільтри 1 раз на 3 місяці.
- Вугільний фільтр можна придбати в авторизованих сервісних центрах.

5 Встановлення пристрою



ПОПЕРЕДЖЕННЯ Перед початком встановлення ознайомтеся з інформацією про безпеку в Керівництві користувача.

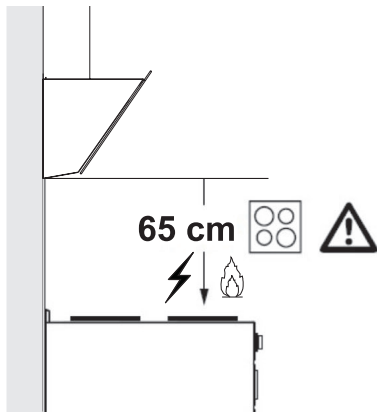


ПОПЕРЕДЖЕННЯ Недотримання інструкцій з встановлення за допомогою гвинтів та стабілізаторів може призвести до ураження електричним струмом.

З питань встановлення витяжки зверніться до найближчого авторизованого сервісного центру.

За підготовку місця розташування та виконання електромонтажних робіт, необхідних для встановлення витяжки, відповідає замовник.

5.1 Розташування пристрою

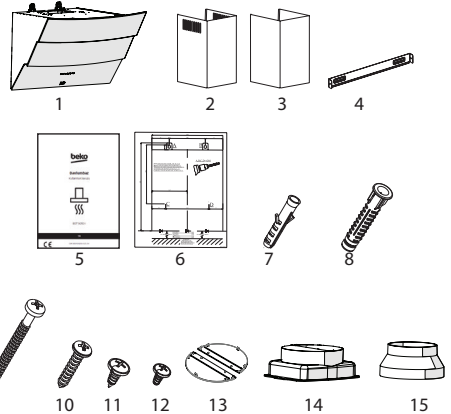


(Рис. 6)

- Перед монтажем слід врахувати відстань між плитою та витяжкою. Ця відстань має становити 65 см (рис. 6).
- Відстань необхідно вимірювати від

- поверхні решіток газових плит і
- поверхні скла електричних плит.

5.2 Приладдя для монтажу



1. Виріб
2. Внутрішній димохід
3. Зовнішній димохід
4. Монтажна планка димоходу
5. Керівництво користувача
6. Зразок монтажу
7. Пластиковий дюбель Ø6 мм (2 штуки)
8. Пластиковий дюбель Ø8 мм (4 штуки)
9. Гвинт для кріплення на стіну 4,8 x 50 (4 штуки)
10. Гвинт монтажної планки димоходу 3,9 x 22 (2 штуки)
11. Гвинт кріплення димоходу 3,5 x 9,5 (4 штуки)
12. Гвинт з тупим кінцем 3,5 x 9,5 (2 штуки)
13. Хомут димоходу

5 Встановлення пристрою

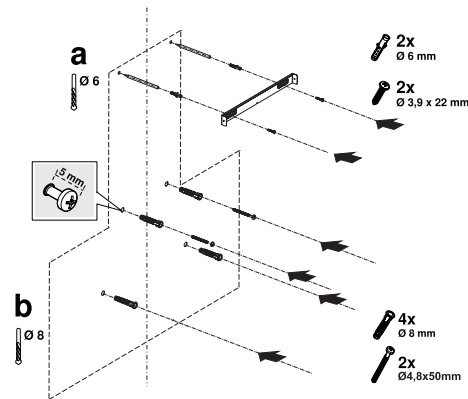
14. Пластиковий перехідник для димоходу 150 мм

15. Пластиковий перехідник для димоходу 150/120

Інформацію, необхідну для забезпечення придатного для встановлення витяжки місця розташування, наведено нижче.

5.3 Настінне кріплення

- Стіна має бути плоска, рівна та мати достатню міцність.
- Глибина отворів має відповідати довжині болтів.
- Надані болти та дюбелі підходять для цегляних стін. Для інших будівельних матеріалів (наприклад, гіпсокартону, обшивного матеріалу, пористого бетону) слід використовувати відповідні кріпильні дюбелі та гайки.



(Рис. 7)



ЗАСТЕРЕЖЕННЯ. Перед свердлінням переконайтеся, що в безпосередній близькості від місць свердління немає кабельних або трубних проходок для подачі електроенергії, газу чи води.

Проведіть середню лінію розташування від стелі перпендикулярно до нижнього краю витяжки.

Наклейте монтажний шаблон, що входить до складу поставки приладдя, на поверхню, де потрібно встановити витяжку. Виконуючи цю операцію, дотримуйтеся монтажною висоти витяжки (рис. 6).

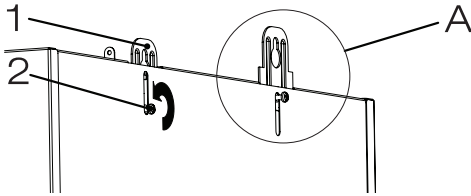
Посередині монтажною планки димоходу є язичок. Помістіть середню точку цього язичка на лінію, проведену перпендикулярно стіні. Виконуючи цю операцію, відрегулюйте витяжку відповідно до максимальної висоти (рис. 1). Ручкою позначте отвори, де буде встановлено монтажну планку димоходу (рис. 7/a).

Просвердліть позначені місця свердлом $\varnothing 6$ мм і вставте 2 пластикових дюбеля в просвердлені отвори (рис. 7/a). Пригвинтіть монтажну планку димоходу до стіни гвинтами 3,9 x 22 (рис. 7/a).

Щоб зібрати корпус витяжки, можна за допомогою свердла $\varnothing 8$ мм просвердлити отвори в точках А, В, С, D на монтажному шаблоні та вставити в ці місця пластикові дюбелі 4,8 x 50 мм. (Рис. 7/b).

2 гвинта підвіски 4,8 x 50 з зазором 5 мм між головкою гвинта і стіною (рис. 7/b).

5 Встановлення пристрою

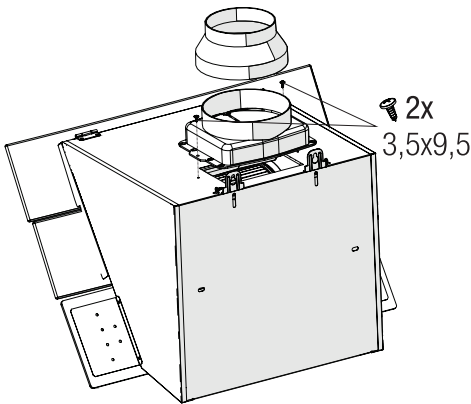


(Рис. 8)

1. Підвісна планка
2. Гвинт кріплення підвісної планки

Щоб встановити витяжку на стіні, відкрутіть гвинти на підвісних планках, встановлених на корпусі двигуна, і потягніть їх вгору, а потім знову закріпіть (рис. 8/А).

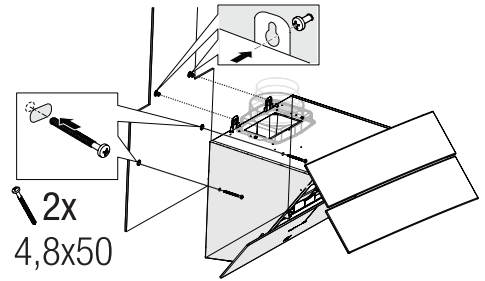
Відкрутіть скло всмоктувальної системи витяжки та зніміть алюмінієвий фільтр для уловлювання жиру (рис. 4).



(Рис. 9)

Прикріпіть пластиковий перехідник для димоходу діаметром 150 мм, що входить до комплекту, до корпусу виробу за допомогою гвинтів із тупим кінцем 3,5 x 9,5. Якщо необхідно під'єднати випускний отвір до повітропроводу з діаметром менше 150 мм,

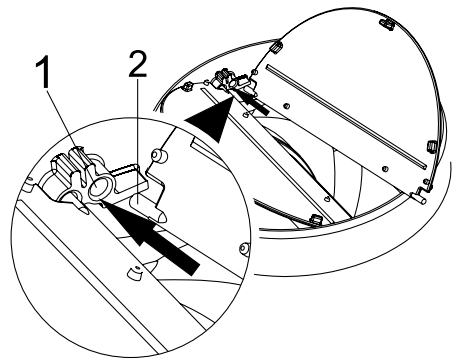
встановіть пластиковий перехідник 150/120 мм (рис. 9).



(Рис. 10)

Візьміть кухонну витяжку за корпус і помістіть її на монтажні гвинти на стіні, а потім затягніть ці гвинти (рис. 10). Прикріпіть кухонну витяжку двома гвинтами 4,8 x 50 до стіни через монтажний отвір у внутрішній частині пристрою (рис. 10).

5.4 Приєднання до димоходу



(Рис. 11)

1. Гніздо для штифта засувки
2. Штифт засувки

Вставте пластиковий штифт (рис. 11/ зона № 2) у гніздо для штифта на дви-

5 Встановлення пристрою

гуні витяжного вентилятора (рис. 11/ зона № 1). Потім злегка зігніть засувку, щоб вставити інший штифт в засувку, а ще один штифт — в його гніздо (рис. 11).

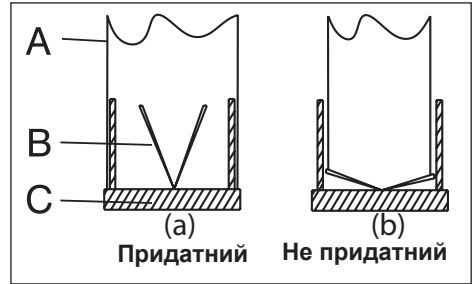
Якщо ви збираєтеся використовувати пластиковий димохідний перехідник Ø 120/150 мм, під'єднайте один кінець труби до цього перехідника; а якщо ви не збираєтеся його використовувати — безпосередньо до виходу на виробі. Під'єднайте інший кінець труби до димоходу. Перевірте, чи достатньо щільні ці два з'єднання, щоб уникнути витоків в період, коли пристрій працює на повній потужності. Переконайтеся в робочому стані засувки після їх закріплення хомутом всередині димоходу. Під'єднайте патрубок димоходу зовні перехідника (рис. 12/a). Якщо патрубок приєднано всередині перехідника, всмоктування повітря неможливе, оскільки димохідна засувка, що перешкоджає поверненню повітря, залишатиметься закритою (рис. 12/b). Необхідно дотримуватися мінімально можливої довжини трубного з'єднання та кількості колін.

A: Вихідний трубопровід димоходу

B: Хомути димоходу

C: Пластиковий димохід

Якщо клапани закриті, пристрій не працює і не запобігає потраплянню всередину запаху та пилу.



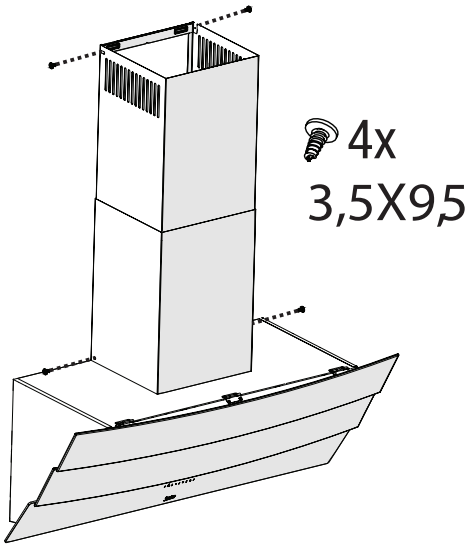
(Рис. 12)

5.5 Під'єднання витяжки до димоходу

Перед початком встановлення димоходу виконайте підключення витяжки до електромережі. Посуньте планки димоходу ближче до корпусу. Прикрутіть димохід до планок кріплення димоходу, розташованих на корпусі двигуна. (Рис. 13)

Встановіть димохід на планку кріплення димоходу, яка кріпиться до стіни за допомогою її верхніх зовнішніх країв (рис. 13).

5 Встановлення пристрою



(Рис. 13)

5.6 Зберігання

- Якщо ви збираєтесь тривалий час не використовувати прилад, зберігайте його дбайливо.
- Переконайтесь, що прилад від'єднаний від мережі, охолоджений та повністю сухий.
- Зберігайте прилад в прохолодному та сухому місці.
- Зберігайте прилад у недоступному для дітей місці.

5.7 Поводження та транспортування

- Під час транспортування та транспортування транспортуйте прилад в оригінальній упаковці. Упаковка приладу захищає його від фізичних пошкоджень.

- Не кладіть важкі вантажі на прилад або упаковку. Прилад може бути пошкоджений.
- Падіння приладу призведе до того, що він не працюватиме або спричинить його остаточні пошкодження.

Визначення несправності	Причина	Підказка
Виріб не працює.	Перевірте запобіжник.	Є вірогідність того, що запобіжник згорів, забезпечте його робочий стан.
Виріб не працює.	Перевірте електричне з'єднання.	Необхідний рівень напруги в мережі: 220–240 В.
Виріб не працює.	Перевірте електричне з'єднання.	Перевірте, чи працює інше обладнання у вашій кухні.
Лампа освітлення не працює.	Перевірте електричне з'єднання.	Необхідний рівень напруги в мережі: 220–240 В.
Лампа освітлення не працює.	Перевірте перемикач лампи.	Необхідно, щоб перемикач лампи знаходився в положенні «увімкн.».
Лампа освітлення не працює.	Перевірте лампи.	Необхідно забезпечити справність ламп виробу.
Виріб забезпечує недостатній забір повітря.	Перевірте алюмінієвий фільтр.	Алюмінієвий масляний фільтр слід очищати не рідше одного разу на місяць у звичайних умовах використання.
Виріб забезпечує недостатній забір повітря.	Перевірте вентиляційну трубу.	Необхідно, щоб перемикач системи витяжної вентиляції знаходився в положенні «увімкн.».
Виріб забезпечує недостатній забір повітря.	Перевірте вугільний фільтр.	Якщо у виробі використовується вугільний фільтр, його зазвичай потрібно міняти кожні 3 місяці.

Kérjük, először olvassa el ezt a használati útmutatót!

Tisztelt Vásárló,

Köszönjük, hogy ezt a Beko készüléket választotta. Reméljük, hogy a készülékével amelyet kiváló minőséggel és a legkorszerűbb technológiával gyártottak, a legjobb eredményeket érheti el. Ezért kérjük, mielőtt a készüléket felhasználná, figyelmesen olvassa el ezt a teljes felhasználói kézikönyvet és az összes többi kísérő dokumentumot és őrizze meg a későbbi felhasználási referenciaként. Ha a készüléket továbbadja, akkor adja tovább a felhasználói kézikönyvet is. Kövesse az utasításokat, vegye figyelembe a felhasználói kézikönyv összes információját és figyelmeztetését.

Ne feledje, hogy ez a felhasználói kézikönyv más modellekre is vonatkozhat. A modellek közötti különbségeket a kézikönyv kifejezetten leírja.

A szimbólumok jelentése

A felhasználói kézikönyv egyes szakaszaiban az alábbi szimbólumokat használjuk:



Fontos információk és hasznos tippek a használatához.



FIGYELMEZTETÉS: Figyelmeztetések az élet és vagyon biztonságát érintő veszélyes helyzetekre.



Tűzveszély figyelmeztetés.



Áramütés figyelmeztetés.



ÚJRAHASZNOSÍTOTT ÉS
ÚJRAFELDOLGOZHATÓ
PAPÍR

Ezt a készüléket környezetbarát, modern gyárban gyártották a természet károsítása nélkül.

1 Fontos biztonsági és környezetvédelmi utasítások

1.1 Általános biztonság

Fontos biztonsági utasítások
Olvassa el figyelmesen, és őrizze meg a jövőbeli referenciák céljából Ez a szakasz olyan biztonsági utasításokat tartalmaz, amelyek megvédik a tűz, az áramütés, a szivárgó mikrohullámú energia, a személyi sérülések és az anyagi károk veszélyétől. Ezen utasítások be nem tartása a garancia érvényvesztését okozza.

- A Beko termékek megfelelnek az alkalmazandó biztonsági előírásoknak; ezért a készülék vagy a tápkábel sérülése esetén a veszély elkerülése érdekében a terméket a forgalmazó, a szakszerviz vagy a szakember és hivatalos szerviz javíthatja, bármely veszély elkerülése érdekében. A hibás vagy minősítés nélküli javítás veszélyes lehet, és kockázatot jelenthet a felhasználó számára.
- A berendezést otthoni, valamint az alábbi helyeken történő használatra tervezték:
 - Üzletek, irodák és egyéb munkahelyek személyzeti ko-

nyhája;

- Farm házak,
- szállodák és más szálláshelyek vendégei általi használat;
- Bed and Breakfast szolgáltatók;
- A készüléket csak rendeltetészerűen, a használati útmutatóban leírtak szerint használja.
- A gyártó nem vállal felelősséget a termék nem megfelelő beszereléséből vagy helytelen felhasználásából eredő károkért.
- A készülék használható 8 éves és ennél nagyobb gyermekek által, valamint csökkentett fizikális, érzékelési vagy mentális készségekkel rendelkező személyek által, vagy tapasztalattal és tudással nem rendelkező személyek által, ha őket a biztonságukért felelős személy a készülék használatával kapcsolatban tájékoztatással vagy iránymutatással látta el.
- Gyermekek nem játszhatnak a készülékkel. A tisztítást és a karbantartást gyermekek felügyelet nélkül nem végezhetik.

1 Fontos biztonsági és környezetvédelmi utasítások

- A főzőlap főzőedényeinek tartófelülete és a termék alsó része közötti minimális távolságnak legalább 65 cm-nek kell lennie.
 - Ha a gáztűzhely beszerelési útmutatója nagyobb távolságot ír elő, ezt figyelembe kell venni.
 - Ellenőrizze, hogy a hálózati áramellátás megfelel-e a készülék adattábláján szereplő információknak.
 - Soha ne használja a készüléket, ha a tápkábel vagy maga a készülék megsérült.
 - Kerülje el a tápkábel sérülését azáltal, hogy nem szorítja, hajlíttja vagy dörzsöli éles szélekre. Tartsa távol a tápkábelt forró felületektől és nyílt lángtól.
 - A készüléket csak földelt aljzattal használja.
- FIGYELMEZTETÉS:** Ne csatlakoztassa a készüléket a hálózathoz, amíg a telepítés teljesen be nem fejeződött.
- Helyezze el a készüléket oly módon, hogy a csatlakozó dugó mindig hozzáférhető legyen.
 - Ne érintse meg a lámpákat, ha azok hosszú ideig működtek.
- Megégethetik a kezét, mivel forrók lesznek.
- Kövesse az illetékes hatóságok által a füstgáz kibocsátására vonatkozó előírásokat (ez a figyelmeztetés nem vonatkozik az égéstermék nélküli használatra).
 - A készülékét csak csésze, serpenyő esetén használhatja. Ellenkező esetben az erős hő a termék egyes elemeinek deformációját okozhatja.
 - Mielőtt levinné az edényt, serpenyőt, stb., kapcsolja ki a főzőlapot.
 - Ne hagyjon forró olajat a tűzhelyen. Forró olajat tartalmazó edények öngyulladást okozhatnak.
 - Vigyázzon a függönyökre és takarókra, mivel az olaj étel, például sült krumpli, sütés közben felgyulladhat.
 - A zsír szűrőt minden hónapban ki kell cserélni. A szénzsűrőt legalább háromhavonta ki kell cserélni.
 - A terméket a felhasználói kézikönyvnek megfelelően kell megtisztítani. Ha a tisztítást nem

1 Fontos biztonsági és környezetvédelmi utasítások

a felhasználói kézikönyv szerint hajtották végre, tüzet okozhat.

- A jelenlegi szűrők helyett ne használjon nem tűzálló szűrőanyagokat.
- Csak eredeti alkatrészeket vagy a gyártó által ajánlott alkatrészeket használjon.
- Ne működtesse a terméket szűrő nélkül, és ne távolítsa el a szűrőket, amíg a termék működik.
- Ha bármilyen láng elindul, áramtalanítsa a terméket és a főzőkészülékeket.
- A láng belobbanása esetén takarja el a lángot, soha ne használjon az oltáshoz vizet.
- Minden egyes tisztítás előtt és amikor a készüléket nem használja, húzza ki a konnektorból.
- A környezeti negatív nyomás nem haladhatja meg a 4 Pa-t (4 x 10 bar), ha az elektromos főzőlap páraelszívója és az elektromos áramtól eltérő, más típusú energiára működő készülékek egyszerre működnek.
- A környezetben, ahol a készüléket használják, a tüzelőolajra

vagy gázra működő eszközök, pl. helyiségfűtő berendezések füstgázainak teljesen elszigetelten kell működniük, vagy az eszköznek hermetikus típusúnak kell lennie.

- Az égéstermék-elvezetéshez használjon 120 vagy 150 mm átmérőjű csöveket. A csőcsatlakozásnak a lehető legrövidebbnek kell lennie és a lehető legkevesebb könyököt kell felhasználnia.

Fulladás veszély! A csomagolóanyagokat tartsa távol gyermekektől.

VIGYÁZAT: Főzőeszközökkel történő használat esetén a hozzáférhető részek forróak lehetnek.

- A termék kimenete nem csatlakoztatható más füstöt tartalmazó légcsatornához.
- Lehet, hogy a helyiség szellőztetése nem elegendő, ha az elektromos főzőlap burkolatát egyidejűleg használják a gázzal vagy más üzemanyaggal működő eszközökkel (ez nem vonatkozik azokra a készüléke-

1 Fontos biztonsági és környezetvédelmi utasítások

kre, amelyek csak a levegőt vezetik vissza a helyiségbe).

- A termékre helyezett tárgyak leeshetnek. Ne tegyen semmilyen tárgyat a készülékre.
- Ne lánjoljon a termék alatt.

FIGYELMEZTETÉS: A páraelszívó felszerelése előtt távolítsa el a védőfóliákat.

- Soha ne hagyjon magas nyílt lángot a páraelszívót alatt, amikor az működésben van.
- Használat közben a folyamatosan ellenőrizze a fritőzöket: a túlmelegedett olaj fellángolhat.

1.2 A WEEE-irányelvnek való megfelelés és hulladékártalmatlanítás:

A termék megfelel a WEEE (elektromos és elektronikus berendezések hulladékairól szóló 2012/19/EU) irányelv követelményeinek. Ez a termék elektromos és elektronikus hulladék osztályozási szimbólummal (WEEE) rendelkezik.



Ez a szimbólum azt jelzi, hogy a terméket az élettartama végén nem szabad közösen más háztartási hulladékokkal együtt kidobni. A használt eszközt vissza kell vinni a hivatalos

gyűjtőhelyre az elektromos és elektronikus szkezők újrahasznosítása céljából. A gyűjtőrendszerek megtalálásához vegye fel a kapcsolatot a helyi hatóságokkal vagy a kereskedővel, ahol a terméket vásárolták. Minden háztartás fontos szerepet tölt be a régi készülékek visszanyerésében és újrahas-

znosításában. A használt készülék megfelelő ártalmatlanítása segít megelőzni a környezetre és az emberi egészségre gyakorolt lehetséges negatív következményeket.

1.3 Az RoHS irányelv betartása

A megvásárolt termék megfelel az EU RoHS Irányelvének (2011/65/EU). Nem tartalmaz az irányelvben meghatározott káros és tiltott anyagokat.

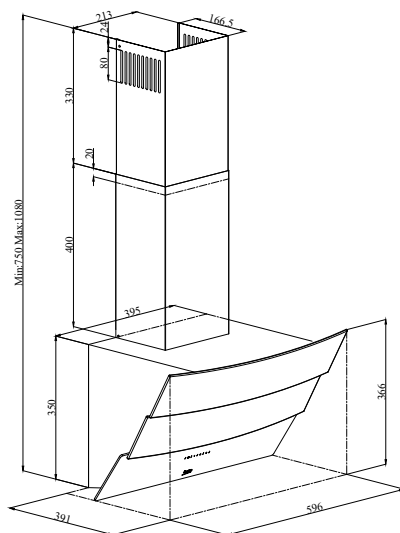
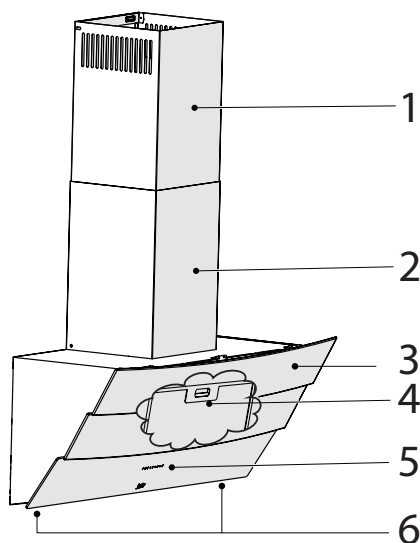
1.4 Csomagolási információ



A termék csomagolóanyagait újrahasznosítható anyagokból gyártják, a nemzeti környezetvédelmi rendeleteinknek megfelelően. A csomagolóanyagokat ne dobja el a háztartási vagy egyéb hulladékok közé. TVigye őket a helyi hatóságok által kijelölt csomagolóanyag-gyűjtő helyekre.

2 Általános megjelenés

2.1 Áttekintés



(1. ábra)

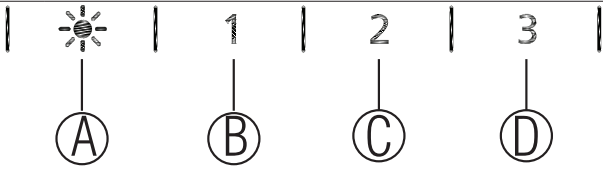
1. Belső kürtő
2. Külső kürtő
3. Üveg burkolat
4. Szűrő (az üveg burkolat alatt)
5. Kezelőpanel
6. Megvilágítás

2.2 Technical data

	HCA62640B	HCA62640W
Tápfeszültség	220-240V ~ 50 Hz	
Lámpa teljesítménye	2x3 W	
Motor teljesítménye	210 W	
Áramlási sebesség – 3. Szint	582 m ³ /h	
A motor szigetelési osztálya	F osztály	
Szigetelési osztály	I osztály	

3 A készülék működése

3.1 A készülék vezérlése

	
KULCS	FUNKCIÓ
A : Fény Be/ Ki kapcsoló	A kapcsoló megnyomásával megvilágíthatja a főzőterületet.
B : 1. szint kapcsoló	A kapcsoló megnyomásával elindíthatja a páraelszívót az 1. szinten. Ha ezt a kapcsolót még egyszer megnyomja a berendezés kikapcsolásához, a sebességkijelzés eltűnik a kijelzőről.
C : 2. szint kapcsoló	A kapcsoló megnyomásával elindíthatja a páraelszívót a 2. szinten. Ha ezt a kapcsolót még egyszer megnyomja a berendezés kikapcsolásához, a sebességkijelzés eltűnik a kijelzőről.
D : 3. szint kapcsoló	A kapcsoló megnyomásával elindíthatja a páraelszívót a 3. szinten. Ha ezt a kapcsolót még egyszer megnyomja a berendezés kikapcsolásához, a sebességkijelzés eltűnik a kijelzőről.

3.2 Energiatakarékos használat

- A páraelszívó használatakor a szagok és gőzök intenzitásának megfelelően válassza ki a sebességet, így megakadályozhatja a szükségtelen áramfogyasztást.
- Normál körülmények között használja az alacsony sebességeket (1-2), ha a szagok és a gőzök intenzívebbek, akkor a magasabb sebességet (3).
- A páraelszívón található lámpák feladata a főzőzónák megvilágítása.
- Amennyiben ezeket használja a környezet/konyha megvilágítására, az szükségtelen áramfogyasztást és elégtelen megvilágítást eredményez.

3.3 A páraelszívó használata

- A páraelszívó egy olyan motorral van felszerelve, amely különböző sebességbeállításokkal rendelkezik.
- A jobb teljesítmény érdekében azt javasoljuk, hogy normál körülmények között használja az alacsony sebességet, intenzívebb szagok és gőzök esetén pedig a magasabb sebességet.
- A páraelszívót elindíthatja a kívánt sebesség kapcsolójának megnyomásával (B,C,D).
- A világításkapcsoló megnyomásával megvilágíthatja a főzőterületet (A).

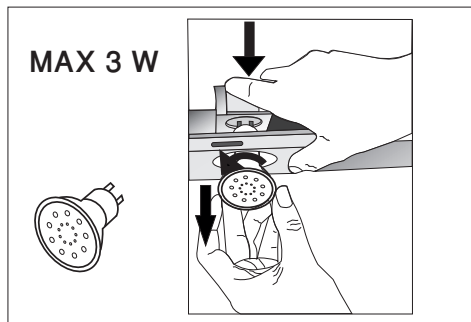
3.4 Automatikus leállítás

Ez a berendezés fel van szerelve egy automatikus leállító funkcióval, amely lehetővé teszi, hogy a főzés követően a berendezés még egy előre meghatározott ideig szellőztesse a helyiséget a kellemetlen szagok és gőzök megszüntetése érdekében. A berendezés a megadott időtartamot követően automatikusan leáll. Az automatikus leállítási funkció engedélyezéséhez nyomja bármelyik sebességválasztó gombot (B, C, D) 2 másodpercnél hosszabban. A 15 perces időzítő aktiválásra kerül. Ha megnyomja

3 A készülék működése


ugyanazt a sebességválasztó gombot, miközben az automatikus leállítási funkció aktiválva van, a funkció törlésre kerül és a berendezés leáll. Ha egy másik sebességszintet választ ki, a funkció akkor is leállítása kerül. Ha szeretné, hogy a berendezés ismét automatikusan álljon le, újra engedélyeznie kell az automatikus leállítási funkciót.

3.5 Lámpák cseréje



(3. ábra)

Válassza le a páraelszívót az áramforrásról. Ebben a berendezésben 3 W LED lámpák találhatóak. A LED lámpák cseréjéhez nyomja lefelé a lámpákat a lámpatartó hátsó részénél, hogy kioldhassa a lámpát. Majd az eltávolításhoz forgassa el 1/4 fordulattal az óramutató járásával megegyezően. Az új lámpa behelyezéséhez hajtsa végre a fenti lépéseket fordított sorrendben.

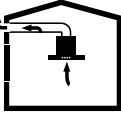
Izzó	
Izzó teljesítmény	3 W
Tartó / Aljzat	GZ 10
Izzófeszültség	220 - 240 V
Méret	53x50 mm
ILCOS kód	DR/F3-220-240-GZ10-50-53
Fényáram	260 lm

Kapcsolódó színhőmérséklet

3000 K

Ez a termék "F" energiahatékonysági osztályú fényforrást tartalmaz.

3.6 Üzemeltetés kürtőcsatlakozással

-  A gőzök a kürtőn keresztül kerülnek eltávolításra, amely a páraelszívó csatlakozófejehez van rögzítve.
- A kürtő átmérőjének ugyanakkorának kell lennie, mint a csatlakozógyűrű. Vízszintes elhelyezés esetén a csövet egy kis lejtéssel kell beszerelni (kb. 10°), hogy a levegő könnyen távozhasson a helyiségből.

3.7 Üzemeltetés kürtőcsatlakozás nélkül

-  A levegőt a szénzsűrő megszűri, majd visszavezeti a helyiségbe. A szénzsűrő akkor használatos, amikor nincs lehetőség kürtőbe történő csatlakoztatásra.
- Kürtő nélküli használat esetén távolítsa el a kürtőadapterben található terelőlapokat.
- Távolítsa el a zsírszűrőt. A szénzsűrő behelyezéséhez illesse a szűrőt a fűlekbe úgy, hogy a ventilátor burkolatának két oldalán található műanyag darabokra központosítja. Rögzítse úgy, hogy balra vagy jobbra elforgatja.
- Cserélje ki a zsírszűrőt.

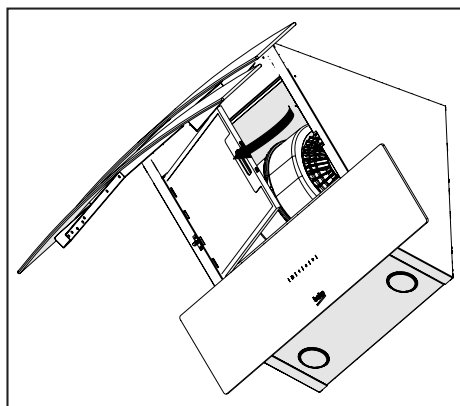
4 Tisztítás és karbantartás



A tisztítás és karbantartás előtt húzza ki a berendezést vagy kapcsolja ki a főkapcsolót, vagy kapcsolja le a biztosítékot, amely a páraelszívót biztosítja.

4.1 A zsírszűrő tisztítása

A szűrő felfogja a levegőben lévő olajrészecskéket. Az alumínium szűrők elszíneződhetnek mosás közben; ez normális, ezért nem kell kicserélnie a szűrőt.



(4. ábra)

- Nyomja meg az alumínium szűrő rögzítését előre.
- Majd kissé engedje le és húzza előre. Ellenkező esetben a szűrő elgörbülhet. Azt követően, hogy az alumínium szűrőt kimosta és megszáritotta, helyezze vissza a nyílásba a fenti lépések fordított sorrendjében.



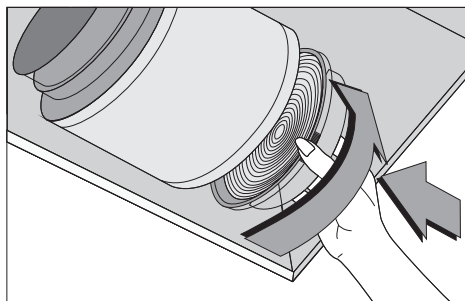
Az alumínium szűrőket mosógépben is moshatja.



VIGYÁZAT: Javasoljuk, hogy normál használat mellett havonta tisztítsa meg a szűrőt.

4.2 Szénszűrő cseréje

A szagmentesítő szűrők szénen tartalmaznak (aktívszén). Függetlenül attól, hogy használ-e szénszűrőket vagy sem, az alumínium szűrőket minden esetben be kell helyezni.



(5. ábra)

- Távolítsa el az alumínium szűrőket.
- A szénszűrő eltávolításához forgassa el a fület az óramutató járásával ellentétesen és oldja ki a szűrőt.
- Helyezze be az új szénszűrőt.
- Helyezze be az alumíniumszűrőket.

VIGYÁZAT



- A szénszűrőt soha nem szabad kimosni.
- Cserélje ki a szénszűrőket 3 havonta egyszer.
- A szénszűrőt a hivatalos szerviztől szerezheti be.

5 Készülék telepítése



FIGYELEM: A telepítés megkezdése előtt olvassa el a felhasználói kézikönyvben található biztonsági információkat.

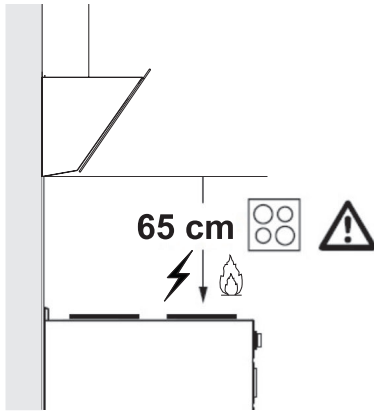


FIGYELEM: Ha a csavarokat és a stabilizátorokat nem az előírásoknak megfelelően szereli fel, fennáll az áramütés veszélye.

A páraelszívó telepítéséhez keresse fel a legközelebbi hivatalos szervizt.

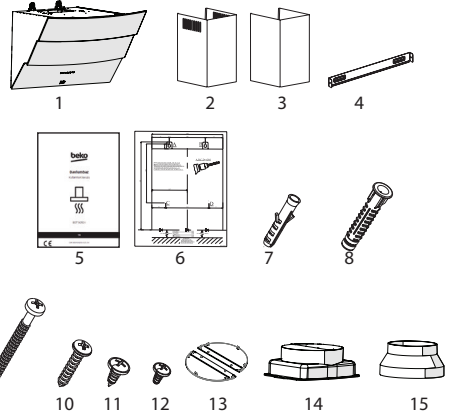
A telepítés helyének előkészítése, illetve az elektromos csatlakozás kiépítése az ügyfél felelőssége.

5.1 A berendezés pozíciója



- A páraelszívó és a főzőlap közötti távolságot a felszerelés előtt fel kell mérni. A távolságnak 65 cm-nek kell lennie.
- A távolságot a gáz főzőlap edénytartójától,
- illetve az elektromos főzőlap felületétől kell mérni.

5.2 Csomag tartalma



1. Termék
2. Belső kürtő
3. Külső kürtő
4. Kürtő csatlakozó lemez
5. Felhasználói kézikönyv
6. Beszerelési sablon
7. 2x Ø6 mm-es műanyag tipli
8. 4x Ø8 mm-es műanyag tipli
9. 4x 4,8x50 fali rögzítőcsavar
10. 2x 3,9x22 kémény csatlakozó lemez csavar
11. 4x 3,5x9,5 kéménycsatlakozó csavar
12. 2x 3,5x9,5 tompa végű csavar
13. Kéménybilincs
14. Ø150 mm műanyag kürtő
15. Ø120/150mm műanyag kürtő adapter

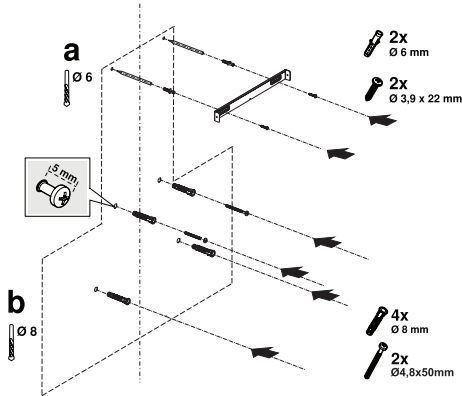
Az alábbiakban található információk segítségével alkalmassá teheti az adott helyet a páraelszívó felszereléséhez.

5.3 Rögzítés falra

- A falnak síknak, egyenesnek és megfelelő teherbírásúnak kell lennie.
- A furatok mélységének meg kell felelnie a csavarok hosszának.
- A mellékelt csavarok és dübök téglafalakhoz

5 Készülék telepítése

használhatók. Egyéb építőanyagok (pl. gipszkarton, lemez, pórusbeton) esetén megfelelő rögzítődübeleket és anyákat kell használni.



(7. ábra)



VIGYÁZAT: A fúrás megkezdése előtt győződjön meg róla, hogy a fúrás helyének közelében nincsenek elektromos-, gáz- vagy vízvezetékek.

Rajzoljon egy középvonalat a mennyezettől a páraelszívó alsó széléig merőlegesen.

Illessze fel a tartozékokban található szerelési sablont arra a felületre, ahová a páraelszívót szerelni kívánja. A művelet során vegye figyelembe a páraelszívó beépítési magasságát (6. ábra).

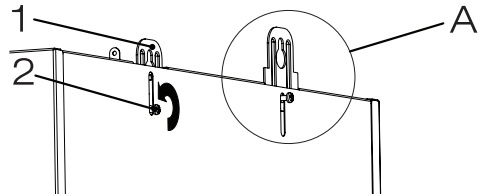
A kürtő csatlakozólemez közepén van egy bevágás. Helyezze ennek a bevágásnak a közepét arra a vonalra, amelyet merőlegesen felrajzolt a falra. A művelet közben határozza meg a páraelszívó maximális magasságát (1. ábra). Egy tollal jelölje át azokat a furatokat, amelyekkel a kürtő csatlakozólemeze rögzítve lesz a falra (7/a. ábra).

A megjelölt pontokon fúrjon Ø6 mm-es furatokat és helyezzen be 2 műanyag dübelt (7/a. ábra).

Rögzítse a kürtő csatlakozólemezét a falra a 3,9x22 csavarokkal (7/a. ábra).

Ahhoz, hogy a páraelszívó burkolatát felszerelhesse, a Ø8 mm-es fúróval készítsen furatokat a sablon szerinti A, B, C, D pontokba, majd helyezze be a 4,8x50 mm-es műanyag dübeleket. (7/b. ábra).

2 darab 4,8x50 rögzítőcsavar, ahol a csavar feje és a fal közötti távolság 5 mm (7/b. ábra).



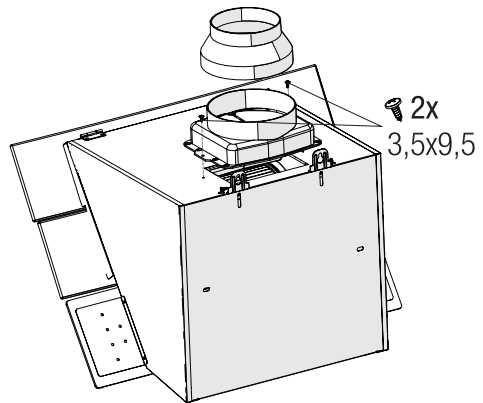
(8. ábra)

1. Függesztőlemez

2. Függesztőlemez rögzítőcsavar

Ahhoz, hogy a páraelszívót rögzíteni tudja, lazítsa meg a csavarokat az motorburkolatra felszerelt függesztőlemezeken, húzza fel őket, majd rögzítse őket újra (8/A. ábra).

Fordítsa el a szívóüveget a páraelszívón és vegye ki a zsírszűrőt (8. ábra).

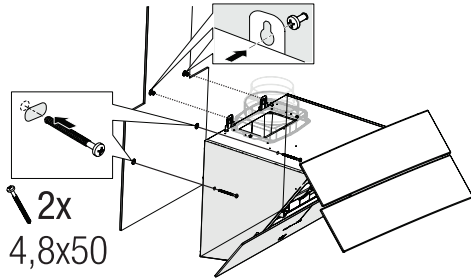


(9. ábra)

Rögzítse a csomagban található 150 mm-es műanyag kéményadaptert a termék testéhez 3,5x9,5 tompa végű csavarokkal. Ha a levegőki-

5 Készülék telepítése

menetet a 150 mm-nél kisebb légelvezető csatornához kell csatlakoztatni, szerelje be a 150 / 120 mm-es műanyag égéstermék-adaptert (9. ábra).

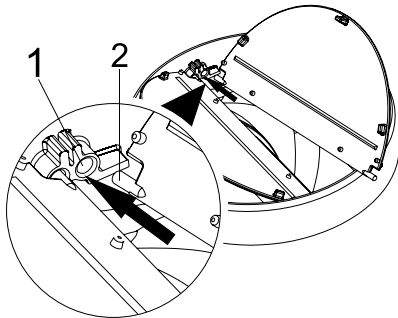


(10. ábra)

A burkolatánál fogva emelje meg a páraelszívót és helyezze fel a falban található rögzítőcsavarokara, majd húzza meg a csavarokat (10. ábra).

Rögzítse a páraelszívó burkolatát két 4,8x50 csavarral a falhoz a berendezés belsejében található rögzítőfuratokon keresztül (10. ábra).

5.4 Csatlakoztatás a kürtőhöz



(11. ábra)

1. Csappantyú forgócsapjának helye
2. Csappantyú forgócsapja

Helyezze be a műanyag forgócsapot (11. ábra/2. terület) a motoros elszívón található illesztési helybe (11. ábra/1. terület). Ezt követően kissé hajtsa meg a csappantyút, hogy a másik forgócsapot is beilleszthesse a helyére (11. ábra).

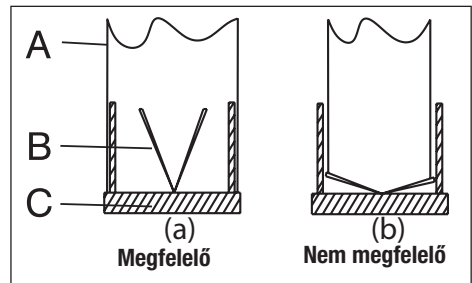
Ha a Ø 120/150 mm-es műanyag kürtő-adaptert használja, csatlakoztassa a cső egyik végét ehhez az adapterhez; ha nem használja, akkor a termék közvetlen kimenetéhez. Csatlakoztassa a cső másik végét a kürtőhöz. Ellenőrizze, hogy ez a két csatlakozás elég szoros-e, nem válnak le, amikor a termék teljes teljesítménnyel működik. Győződjön meg róla, hogy a kürtő belsejében található csappantyúk megfelelően működnek, ha a bilincseket megszorítja. Csatlakoztassa a kürtő csatlakozócsövét az adapteren kívül (12/a. ábra). Ha a csatlakozócső az adapteren belül van rögzítve, nincs levegőelszívás, mivel a levegő visszaráramlását megakadályozó kürtő csappantyú zárva marad (12/b. ábra). A csőcsatlakozások hosszát, illetve a könyök számát is a lehető legkisebbre kell csökkenteni.

A : Elvezetőkürtő

B : Kürtőbilincsek

C : Műanyag kürtő

A szelepek zárva vannak, amikor a készülék nem működik, így megakadályozzák, hogy a külső szagok vagy por a beltérbe jusson.



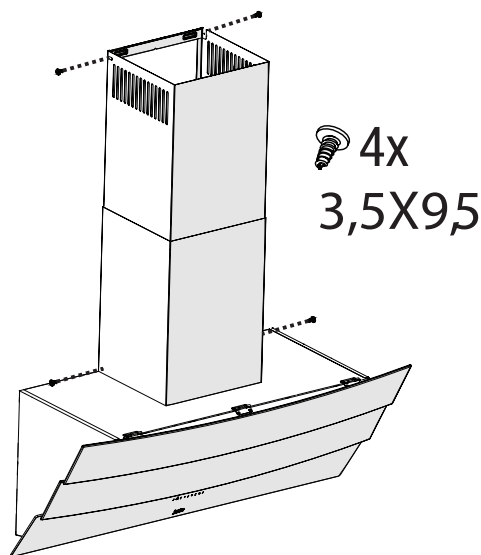
(12. ábra)

5 Készülék telepítése

5.5 A páraelszívó csatlakoztatása a kúrtóhoz

a kúrtó telepítése előtt alakítsa ki a páraelszívó elektromos csatlakozását. Csúsztassa fel a kúrtólemezeket a házra. Csavarozza fel a kúrtót a motorburkolaton található kúrtólemezekre. (11. ábra).

Felül kívülről rögzítse a kúrtót a falra rögzített rögzítőlemezhez (11. ábra).



(13. ábra)

5.6 Tárolás

- Ha hosszú ideig nem fogja használni a készüléket, tárolja gondosan.
- Kérjük győződjön meg róla, hogy a készüléket kihúzta, lehűlt és teljesen száraz.
- A készüléket tartsa hűvös, száraz helyen.
- A készüléket tartsa gyermekek által nem hozzáférhető helyen.

5.7 Kezelés és szállítás

- Kezelés és szállítás során tartsa a készüléket az eredeti csomagolásában! A készülék csomagolása megvédi a terméket a fizikai sérülésektől.
- Ne helyezzen nehéz tárgyat sem a készülékre, sem a csomagolásra! A készülék megsérülhet.
- Ha leejti a készüléket, azzal működésképtelenné teheti vagy maradandó károsodást okozhat benne.

6 Hibaelhárítás

Hibaelhárítás	Ok	Megoldás
A berendezés nem működik.	Ellenőrizze a biztosítékot.	Lehet, hogy a biztosíték le van kapcsolva, hozza működésbe.
A berendezés nem működik.	Ellenőrizze az elektromos csatlakozást.	A hálózati feszültségnek 220–240 V között kell lennie.
A berendezés nem működik.	Ellenőrizze az elektromos csatlakozást.	Ellenőrizze, hogy a konyhában lévő többi termék működik-e vagy sem.
A lámpa nem működik.	Ellenőrizze az elektromos csatlakozást.	A hálózati feszültségnek 220–240 V között kell lennie.
A lámpa nem működik.	Ellenőrizze a lámpa kapcsolót.	A lámpa kapcsolójának "be" állásban kell lennie.
A lámpa nem működik.	Ellenőrizze a lámpákat.	A termék lámpáinak nem szabad hibásnak lennie.
A termék légszívása rossz.	Ellenőrizze az alumínium szűrőt.	Az alumínium olaj szűrőt normál használat mellett legalább havonta egyszer tisztítani kell.
A termék légszívása rossz.	Ellenőrizze a levegő kivezető kürtőt.	A kürtőnek "be" helyzetben kell lennie.
A termék légszívása rossz.	Ellenőrizze a szénszűrőt.	Szénszűrővel rendelkező termékek esetében a szűrőt általában háromhavonta cserélni kell.

Arçelik A.Ş.
Karaağaç Caddesi No: 2-6, 34445,
Sütlüce, İstanbul, Türkiye

www.beko.com