

Slow Juicer

User Manual



SJA3209BX

EN

01M-8813593200-1318-01

beko

CONTENTS

1 Important instructions for safety and environment 7

1.1 General safety7

2 Operation 9

2.1 Frozen fruit/sorbet strainer 9

3 Information 10

3.1 Cleaning and care 10

3.2 Storage 10

3.3 Handling and transportation 10

3.4 Compliance with the WEEE Directive and
Disposing of the Waste Product: 10

3.5 Compliance with RoHS Directive 10

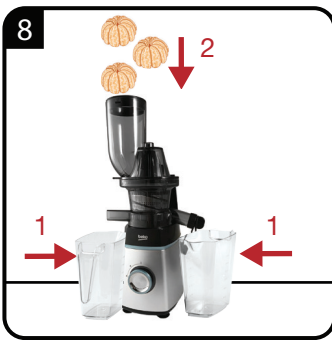
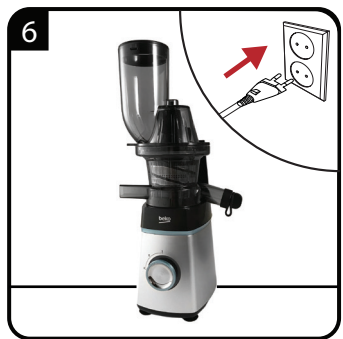
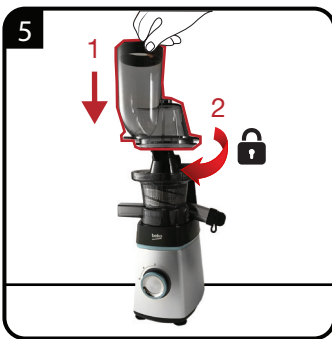
3.6 Package information 10

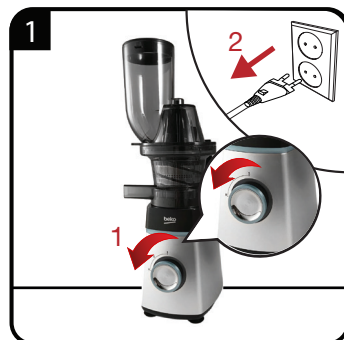
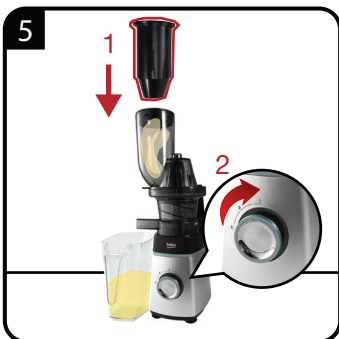
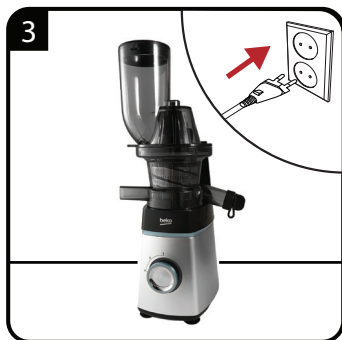
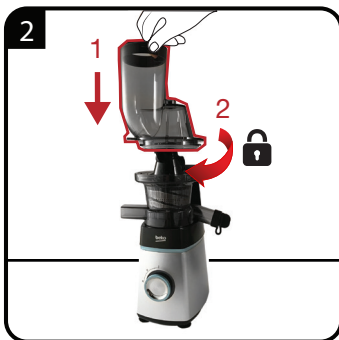
3.7 Things to do for energy saving 10

3.8 Plug Wiring 11









EN	OPERATION	CLEANING AND CARE	FROZEN FRUIT/SORBET

Please read this user manual first!

Dear Customers,

Thank you for selecting an Beko product. We hope that you get the best results from your product which has been manufactured with high quality and state-of-the-art technology. Therefore, please read this entire user manual and all other accompanying documents carefully before using the product and keep it as a reference for future use. If you handover the product to someone else, give the user manual as well. Follow all warnings and information in the user manual.

1. Pusher
 2. Press screw
 3. Spinning brush
 4. Juice outlet
 5. Drip stop
 6. Juice container
 7. Body
 8. Power button
 9. Pulp container
 10. Pulp outlet
 11. Cylinder chamber
 12. Hopper
 13. Frozen fruit/sorbet strainer
 14. Filter wiper
- Cleaning brush

Meanings of the symbols

Following symbols are used in the various section of this manual:



Important information and useful hints about usage.



WARNING: Warnings for dangerous situations concerning the safety of life and property.



Materials are intended to be in contact with food.



Do not immerse the appliance, power cord or power plug in water or in other liquids.

Technical data

Power supply: 220-240 V~, 50-60 Hz

Power: 200 W

Technical and design modifications reserved.

The values which are declared in the markings affixed on your appliance or the other printed documents supplied with it represent the values which were obtained in the laboratories pursuant to the pertinent standards. These values may vary according to the usage of the appliance and ambient conditions.



This product has been produced in environmentally-friendly, state-of-the-art facilities.

Complies with the WEEE Directive.



It does not contain PCB.
Made in P.R.C.

1 Important instructions for safety and environment

Please read this instruction manual thoroughly before using this appliance! Follow all safety instructions in order to avoid damages due to improper use!

Keep the instruction manual for future reference. Should this appliance be given to a third party, then this instruction manual must also be handed over.

1.1 General safety

- This appliance is intended for private domestic use only. It should not be used for commercial purposes.
- This appliance can be used by children who are at the age of 8 and above and by people who have reduced physical, perceptual or mental abilities or by people who are deficient in terms of experience and knowledge as long as they are supervised and given the instructions regarding the safe use of the appliance and dangers encountered.
- Children should not play with the appliance.
- This appliance should not be used by children. Keep the appliance and cable out of the reach of children.
- Cleaning and user maintenance should not be performed by children.
- Do not use it if the power cable, appliance or the filter of the appliance is damaged. Contact an authorized service.
- Unplug the appliance when left unattended, while installing/removing accessories or before cleaning.
- Use the original parts or parts recommended by the manufacturer only.
- Do not attempt to dismantle the appliance.
- Your mains power supply should comply with the information supplied on the rating plate of the appliance.
- Use the appliance with a grounded outlet.
- Do not use the appliance with an extension cable.
- Do not pull the power cable when unplugging the appliance.
- Unplug the appliance before cleaning, disassembly, accessory replacement and wait for it to stop completely.

1 Important instructions for safety and environment

- After cleaning, dry the appliance and all parts before connecting it to mains supply and before attaching the parts.
- Do not touch the plug of the appliance with damp or wet hands.
- Do not immerse the appliance, power cable, or power plug in water or any other liquids.
- Do not operate or place any part of this appliance or its parts on or near hot surfaces.
- Do not operate the appliance continuously for more than 20 minutes.
- Do not remove the pulp container when the appliance is in operation.
- Do not operate the juicer without the pulp container fitted.
- Use only the pusher to put food in the appliance. Do not use your fingers or any other object.
- Cut fruits in such a way that they can fit into the feeding chute.
- Remove stones of stone fruits and peel off the rind of fruits that have a thick or inedible rind before putting them into the appliance.
- Do not touch any of the rotating parts while the appliance is plugged. There is a risk of injury.
- If you keep the packaging materials, store them out of the reach of children.
- Do not push the pusher severely to extract more juice.
- Operate the appliance empty for 10 seconds and then start to extract the juice.
- When the appliance is excessively strained, it will automatically switch off for protection purposes. If this happens, switch off the appliance and remove the food that causes the strain. You can use the appliance for juice extraction again after waiting for 10 seconds.
- Do not use the appliance if the rotating sieve or the protecting cover is damaged or has visible cracks.
- In order to avoid a hazard due to inadvertent resetting of the thermal cut-out, this appliance must not be supplied through an external switching device, such as a timer, or connected to a circuit that is regularly switched on and off by the utility.

2 Operation



WARNING: The appliance does not operate when the locking latch is not locked.



WARNING: Hard stones may harm the filter.



WARNING: Before starting the juice extraction, operate the appliance for 10 seconds while it is empty, then feed it.



Cut the food items that you want to put into the hopper to appropriate sizes.



When the appliance is jammed and does not operate, rotate the power button (8) to (R) position for 5 seconds. Then return to (1) position again.



WARNING: When processing fibrous vegetables (such as celery stalk and wheatgrass), we recommend that you clean the cylinder chamber and the fruit/vegetable strainer after extracting 200 grams of food. Otherwise, the squeezing performance of the product may decrease..



WARNING: The Max. mark on the cylinder chamber should not be exceeded. If you exceed the Max. mark, the extracted juice will overflow.

2.1 Frozen fruit/sorbet strainer



Before starting the process: cut the fruit you will use (kiwis, strawberries, bananas etc.) into small pieces and freeze them.



While preparing frozen fruit sorbet, the ingredients you have processed will pour out of the pulp outlet.



WARNING: Fruits that are taken out of the freezer should be kept at room temperature for 15-20 minutes.

3 Information

3.1 Cleaning and care



WARNING: Never use petrol solvents, abrasive cleaners, metal objects or hard brushes to clean the appliance.



WARNING: Never put the motor unit or power cord in water or any other liquids and never hold them under running water.



It is easier to clean the appliance right after using it.



Do not wash the parts in the dishwasher.

3.2 Storage

- If you do not intend to use the appliance for a long time, store it carefully.
- Unplug the appliance before lifting it.
- Store the appliance in a cool and dry place.
- Keep the appliance out of the reach of children.

3.3 Handling and transportation

- During handling and transportation, carry the appliance in its original packaging. The packaging of the appliance protects it against physical damages.
- Do not place heavy loads on the appliance or the packaging. The appliance may be damaged.
- Dropping the appliance will render it non-operational or cause permanent damage.

3.4 Compliance with the WEEE Directive and Disposing of the Waste Product:

This product complies with EU WEEE Directive (2012/19/EU). This product bears a classification symbol for waste electrical and electronic equipment (WEEE).



This product has been manufactured with high quality parts and materials which can be reused and are suitable for recycling. Do not dispose of the waste product with normal domestic and other wastes at the end of its service life. Take it to the collection center for the recycling of electrical and electronic equipment. Please consult your local authorities to learn about these collection centers.

3.5 Compliance with RoHS Directive

The product you have purchased complies with EU RoHS Directive (2011/65/EU). It does not contain harmful and prohibited materials specified in the Directive.

3.6 Package information



Packaging materials of the product are manufactured from recyclable materials in accordance with our National Environment Regulations. Do not dispose of the packaging materials together with the domestic or other wastes. Take them to the packaging material collection points designated by the local authorities.

3.7 Things to do for energy saving

Follow the times recommended in the manual during use. Unplug the appliance after use.

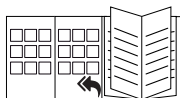
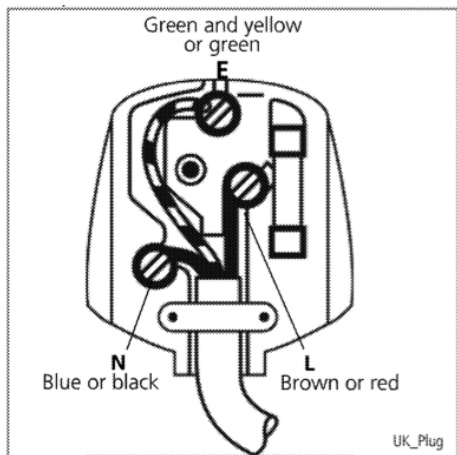
3 Information

3.8 Plug Wiring

The moulded plug on this appliance incorporates a 13 A fuse. Should the fuse need to be replaced an ASTA approved BS1362 fuse of the same rating must be used. Do not forget to refit the fuse cover. In the event of losing the fuse cover, the plug must not be used until a replacement fuse cover has been fitted. Colour of the replacement fuse cover must be the same colour as that visible on the pin face of the plug. Fuse covers are available from any good electrical store.

• Fitting a different plug

- As the colours of the wires in the mains lead of this appliance may not correspond with the coloured markings identifying the terminals on your plug, proceed as follows:
- Brown cable = L (Live)
- Blue cable = N (Neutral)
- Green/yellow cable must be connected to ground (E) \equiv line
- With the alternative plugs a 13 A fuse must be fitted either in the plug or adaptor or in the main fuse box. If in doubt contact a qualified electrician.



Please see the cover page of the user manual for initial use, general use and cleaning sections.

Product Guarantee

12 months breakdown and repair guarantee

Guarantor: **Beko plc, 1 Greenhill Crescent, Watford, Hertfordshire. WD18 8UF**

The guarantee does not in any way diminish your statutory or legal rights.

Your **appliance** has the benefit of our manufacturer's guarantee which covers the product for 12 months from the date of original purchase.

This gives you reassurance that if within that time, your **appliance** is proven to be defective because of either workmanship or materials, we will at our discretion either repair or replace your **appliance**.

The **appliance** must be correctly installed, located and operated in accordance with the instructions contained in the user manual. The guarantor disclaims any liability for accidental or consequential damage.

The Guarantee is subject to the following conditions:

- Documentary proof of the original purchase date is provided.
- The appliance has been installed and operated correctly and in accordance with our operating and maintenance instructions.
- The appliance is used only on the electricity supply on the rating plate.
- The appliance has only been used for normal domestic purposes.
- The appliance has not been altered, serviced, dismantled or otherwise interfered with by any person.
- The appliance is used in the United Kingdom or Republic of Ireland.
- Any parts removed during repair work or any product that has been replaced becomes our property.
- The guarantee is not transferrable if the product is resold.

The Guarantee does not cover:

- Transit, installation or delivery damage.
- Accidental damage.
- Misuse or abuse.
- Replacement of any consumable item or accessories. These include but are not limited to: plugs, cables, light bulbs, knobs, filters and flaps.
- Repairs or replacements required as a result of unauthorised repairs or inexperienced installation that fails to meet the requirements contained in the user guide or instruction book.
- Repairs to products used in commercial or non-residential household premises.

How to obtain after sales service, help or general advice

Please keep your purchase receipt or other proof of purchase in a safe place as you will need to show us this document if your product requires attention within the guarantee period.

Please also record your product details below, which will allow you to access our services more quickly and help us identify your product. The model number is printed on the front of the user guide and the serial and model number is shown on your products rating plate.

Model number	Serial number	Purchased from	Date of purchase

Please call our UK based Customer Service department if you need help or advice from us:

United Kingdom and Northern Ireland: **0333 207 9710**
Republic of Ireland: **01 862 3411**
You can also contact us through our website: **www.beko.co.uk**

