

# beko



Refrigerator  
Kühlschrank/ Gefrierschrank  
Congélateur / réfrigérateur  
Køleskab  
Koelkast

CBI 7771  
CBI 7770 HCA+  
CBI 7771 F



## **Please read this user manual first!**

Dear Customer,

We hope that your product, which has been produced in modern plants and checked under the most meticulous quality control procedures, will provide you an effective service.

Therefore, read this entire user manual carefully before using the product and keep it as a reference. If you handover the product to someone else, give the user manual as well.

### **The user manual will help you use the product in a fast and safe way.**

- Read the manual before installing and operating the product.
- Make sure you read the safety instructions.
- Keep the manual in an easily accessible place as you may need it later.
- Read the other documents given with the product.

Remember that this user manual is also applicable for several other models. Differences between models will be identified in the manual.

### **Explanation of symbols**

#### **Throughout this user manual the following symbols are used:**

 Important information or useful tips.

 Warning against dangerous conditions for life and property.

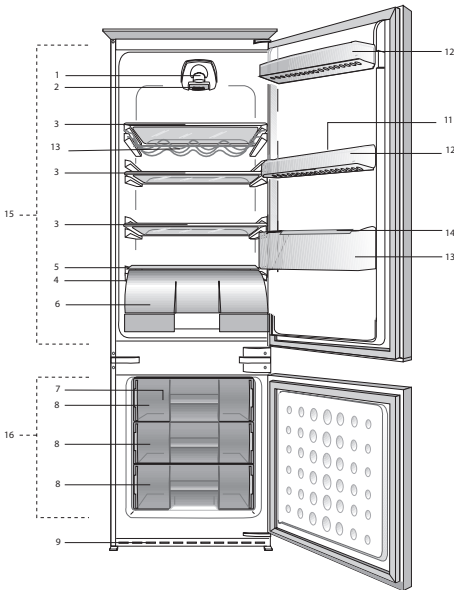
 Warning against electric voltage.

# CONTENTS

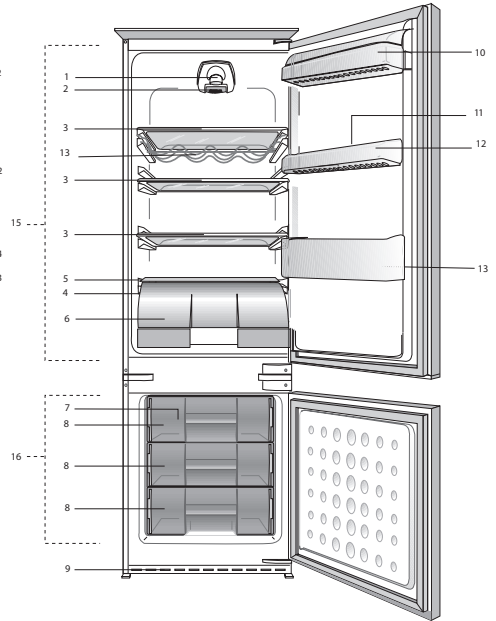
---

<b>1 Your refrigerator</b>	<b>3</b>	<b>4 Preparation</b>	<b>13</b>
<b>2 Important Safety Warnings</b>	<b>4</b>	<b>5 Using your refrigerator</b>	<b>14</b>
Intended use .....	4	Thermostat setting button.....	14
General safety .....	4	Defrost .....	14
For products with a water dispenser; .	6	Zero temperature compartment .....	15
Child safety.....	6	<b>6 Maintenance and cleaning</b>	<b>16</b>
Compliance with the WEEE Regulation and Disposing of the Waste Product..	6	Protection of plastic surfaces .....	16
Package information.....	6	<b>7 Troubleshooting</b>	<b>17</b>
HCA warning .....	7		
Things to be done for energy saving ..	7		
<b>3 Installation</b>	<b>8</b>		
Points to be paid attention to when the relocation of the refrigerator .....	8		
Before you start the refrigerator,.....	8		
Electrical connection.....	8		
Disposing of the packaging .....	9		
Disposing of your old refrigerator .....	9		
Placing and Installation .....	9		
Replacing the interior lamp .....	10		
Reversing the doors .....	11		
Reversing the doors .....	12		

# 1 Your refrigerator



CBI 7771  
CBI 7771 F



CBI 7770

- |   |                             |
|---|-----------------------------|
| 1. Temperature setting knob                         | 9. Air grille               |
| 2. Interior light                                   | 10. Dairy compartment       |
| 3. Adjustable shelves                               | 11. Egg tray                |
| 4. Defrost water collection channel -<br>Drain tube | 12. Adjustable door shelves |
| 5. Crisper cover                                    | 13. Bottle shelf            |
| 6. 0 °C compartment                                 | 14. Bottle holder           |
| 7. Ice bank   | 15. Fridge compartment      |
| 8. Freezer compartment                              | 16. Freezer compartment     |

**i** Figures that take place in this instruction manual are schematic and may not correspond exactly with your product. If the subject parts are not included in the product you have purchased, then it is valid for other models.

## 2 Important Safety Warnings

---

Please review the following information. Failure to observe this information may cause injuries or material damage. Otherwise, all warranty and reliability commitments will become invalid. Original Spare parts will be provided for 10 years, following the product purchasing date.

### Intended use

This product is intended to be used

- indoors and in closed areas such as homes;
- in closed working environments such as stores and offices;
- in closed accommodation areas such as farm houses, hotels, pensions.
- It should not be used outdoors.

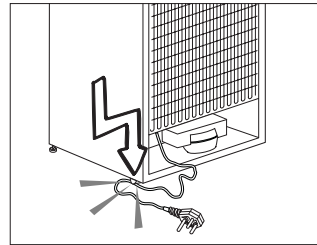
### General safety

- When you want to dispose/scrap the product, we recommend you to consult the authorized service in order to learn the required information and authorized bodies.
- Consult your authorized service for all your questions and problems related to the refrigerator. Do not intervene or let someone intervene to the refrigerator without notifying the authorised services.
- For products with a freezer compartment; Do not eat cone ice cream and ice cubes immediately after you take them out of the freezer compartment! (This may cause frostbite in your mouth.)
- For products with a freezer compartment; Do not put bottled and canned liquid beverages in the freezer compartment. Otherwise, these may burst.

- Do not touch frozen food by hand; they may stick to your hand.
- Unplug your refrigerator before cleaning or defrosting.
- Vapor and vaporized cleaning materials should never be used in cleaning and defrosting processes of your refrigerator. In such cases, the vapor may get in contact with the electrical parts and cause short circuit or electric shock.
- Never use the parts on your refrigerator such as the door as a means of support or step.
- Do not use electrical devices inside the refrigerator.
- Do not damage the parts, where the refrigerant is circulating, with drilling or cutting tools. The refrigerant that might blow out when the gas channels of the evaporator, pipe extensions or surface coatings are punctured causes skin irritations and eye injuries.
- Do not cover or block the ventilation holes on your refrigerator with any material.
- Electrical devices must be repaired by only authorised persons. Repairs performed by incompetent persons create a risk for the user.
- In case of any failure or during a maintenance or repair work, disconnect your refrigerator's mains supply by either turning off the relevant fuse or unplugging your appliance.
- Do not pull by the cable when pulling off the plug.
- Place the beverage with higher proofs tightly closed and vertically.

- Never store spray cans containing flammable and explosive substances in the refrigerator.
- Do not use mechanical devices or other means to accelerate the defrosting process, other than those recommended by the manufacturer.
- This product is not intended to be used by persons with physical, sensory or mental disorders or unlearned or inexperienced people (including children) unless they are attended by a person who will be responsible for their safety or who will instruct them accordingly for use of the product
- Do not operate a damaged refrigerator. Consult with the service agent if you have any concerns.
- Electrical safety of your refrigerator shall be guaranteed only if the earth system in your house complies with standards.
- Exposing the product to rain, snow, sun and wind is dangerous with respect to electrical safety.
- Contact authorized service when there is a power cable damage to avoid danger.
- Never plug the refrigerator into the wall outlet during installation. Otherwise, risk of death or serious injury may arise.
- This refrigerator is intended for only storing food items. It must not be used for any other purpose.
- Label of technical specifications is located on the left wall inside the refrigerator.
- Never connect your refrigerator to electricity-saving systems; they may damage the refrigerator.

- If there is a blue light on the refrigerator, do not look at the blue light with optical tools.
- For manually controlled refrigerators, wait for at least 5 minutes to start the refrigerator after power failure.
- This operation manual should be handed in to the new owner of the product when it is given to others.
- Avoid causing damage on power cable when transporting the refrigerator. Bending cable may cause fire. Never place heavy objects on power cable.
- Do not touch the plug with wet hands when plugging the product.



- Do not plug the refrigerator if the wall outlet is loose.
- Water should not be sprayed on inner or outer parts of the product for safety purposes.
- Do not spray substances containing inflammable gases such as propane gas near the refrigerator to avoid fire and explosion risk.
- Never place containers filled with water on top of the refrigerator; in the event of spillages, this may cause electric shock or fire.
- Do not overload the refrigerator with food. If overloaded, the food items may fall down and hurt you and damage refrigerator when you open the door.

- Never place objects on top of the refrigerator; otherwise, these objects may fall down when you open or close the refrigerator's door.
- As they require a precise temperature, vaccines, heat-sensitive medicine and scientific materials and etc. should not be kept in the refrigerator.
- If not to be used for a long time, refrigerator should be unplugged. A possible problem in power cable may cause fire.
- The plug's tip should be cleaned regularly with a dry cloth; otherwise, it may cause fire.
- Refrigerator may move if adjustable legs are not properly secured on the floor. Properly securing adjustable legs on the floor can prevent the refrigerator to move.
- When carrying the refrigerator, do not hold it from door handle. Otherwise, it may be snapped.
- When you have to place your product next to another refrigerator or freezer, the distance between devices should be at least 8cm. Otherwise, adjacent side walls may be humidified.

### **For products with a water dispenser;**

Pressure of water mains should be minimum 1 bar. Pressure of water mains should be maximum 8 bars.

- Use only potable water.

### **Child safety**

- If the door has a lock, the key should be kept away from reach of children.
- Children must be supervised to prevent them from tampering with the product.

## **Compliance with the WEEE Regulation and Disposing of the Waste Product**

This product does not contain harmful and forbidden materials described in the "Regulation on the Control of the Waste Electrical and Electronic Equipment" issued by the T.R. Ministry of Environment and City Planning. Complies with the WEEE Regulation.



This product has been manufactured with high quality parts and materials which can be reused and are suitable for recycling.

Therefore, do not dispose the product with normal domestic waste at the end of its service life. Take it to a collection point for the recycling of electrical and electronic equipment. Please consult your local authorities to learn the nearest collection point. Help protect the environment and natural resources by recycling used products. For children's safety, cut the power cable and break the locking mechanism of the door, if any, so that it will be non-functional before disposing of the product.

### **Package information**

Packaging materials of the product are manufactured from recyclable materials in accordance with our National Environment Regulations. Do not dispose of the packaging materials together with the domestic or other wastes. Take them to the packaging material collection points designated by the local authorities.



### **Do not forget...**

Any recycled substance is an indispensable matter for nature and our national asset wealth.

If you want to contribute to the re-evaluation of the packaging materials, you can consult to your environmentalist organizations or the municipalities where you are located.

### **HCA warning**

#### **If your product's cooling system contains R600a:**

This gas is flammable. Therefore, pay attention to not damaging the cooling system and piping during usage and transportation. In the event of damage, keep your product away from potential fire sources that can cause the product catch a fire and ventilate the room in which the unit is placed.

#### **Ignore this warning if your product's cooling system contains R134a.**

Type of gas used in the product is stated in the type label which is on the left wall inside the refrigerator.

Never throw the product in fire for disposal.

### **Things to be done for energy saving**

- Do not leave the doors of your refrigerator open for a long time.
- Do not put hot food or drinks in your refrigerator.
- Do not overload your refrigerator so that the air circulation inside of it is not prevented.
- Do not install your refrigerator under direct sunlight or near heat emitting appliances such as ovens, dishwashers or radiators. Keep your refrigerator at least 30cm away from heat emitting sources and at least 5cm from electrical ovens.
- Pay attention to keep your food in closed containers.
- For products with a freezer compartment; You can store maximum amount of food items in the freezer when you remove the shelf or drawer of the freezer. Energy consumption value stated for your refrigerator has been determined by removing freezer shelf or drawer and under maximum load. There is no harm to use a shelf or drawer according to the shapes and size of food to be frozen.
- Thawing frozen food in fridge compartment will both provide energy saving and preserve the food quality.

## 3 Installation

⚠ In case the information which are given in the user manual are not taken into account, manufacturer will not assume any liability for this.

### Points to be paid attention to when the relocation of the refrigerator

1. Your refrigerator should be unplugged. Before transportation of your refrigerator, it should be emptied and cleaned.
2. Before it is re-packaged, shelves, accessories, crisper, etc. inside your refrigerator should be fixed with adhesive tape and secured against impacts. Package should be bound with a thick tape or sound ropes and the transportation rules on the package should be strictly observed.
3. Original packaging and foam materials should be kept for future transportations or moving.

### Before you start the refrigerator,

Check the following before you start to use your refrigerator:

1. Attach 2 plastic wedges as illustrated below. Plastic wedges are intended to keep the distance which will ensure the air circulation between your refrigerator and the wall. (The picture is drawn up as a representation and it is not identical with your product.)
2. Clean the interior of the refrigerator as recommended in the "Maintenance and cleaning" section.
3. Connect the plug of the refrigerator to the wall socket. When the fridge door is opened, fridge internal lamp will turn on.

4. When the compressor starts to operate, a sound will be heard. The liquid and gases sealed within the refrigeration system may also give rise to noise, even if the compressor is not running and this is quite normal.
5. Front edges of the refrigerator may feel warm. This is normal. These areas are designed to be warm to avoid condensation.

### Electrical connection

Connect your product to a grounded socket which is being protected by a fuse with the appropriate capacity.

Important:

The connection must be in compliance with national regulations.

- The power plug must be easily accessible after installation.
- Electrical safety of your refrigerator shall be guaranteed only if the earth system in your house complies with standards.
- The voltage stated on the label located at left inner side of your product should be equal to your network voltage.
- **Extension cables and multi plugs must not be used for connection.**

⚠ A damaged power cable must be replaced by a qualified electrician.

⚠ Product must not be operated before it is repaired! There is the risk of electric shock!

## Disposing of the packaging

The packing materials may be dangerous for children. Keep the packing materials out of the reach of children or dispose of them by classifying them in accordance with the waste instructions stated by your local authorities. Do not throw away with regular house waste, throw away on packaging pick up spots designated by the local authorities.

The packing of your refrigerator is produced from recyclable materials.

## Disposing of your old refrigerator

Dispose of your old refrigerator without giving any harm to the environment.

- You may consult your authorized dealer or waste collection center of your municipality about the disposal of your refrigerator.

Before disposing of your refrigerator, cut out the electric plug and, if there are any locks on the door, make them inoperable in order to protect children against any danger.

## Placing and Installation

⚠ If the entrance door of the room where the refrigerator will be installed is not wide enough for the refrigerator to pass through, then call the authorized service to have them remove the doors of your refrigerator and pass it sideways through the door.

1. Install your refrigerator to a place that allows ease of use.
2. Keep your refrigerator away from heat sources, humid places and direct sunlight.
3. There must be appropriate air ventilation around your refrigerator in order to achieve an efficient operation. If the refrigerator is to be placed in a recess in the wall, there must be at least 5 cm distance with the ceiling and at least 5 cm with the wall. Do not place your product on the materials such as rug or carpet.
4. Place your refrigerator on an even floor surface to prevent jolts.

## Replacing the interior lamp

To change the Bulb/LED used for illumination of your refrigerator, call your AuthorisedService.

The lamp(s) used in this appliance is not suitable for household room illumination.

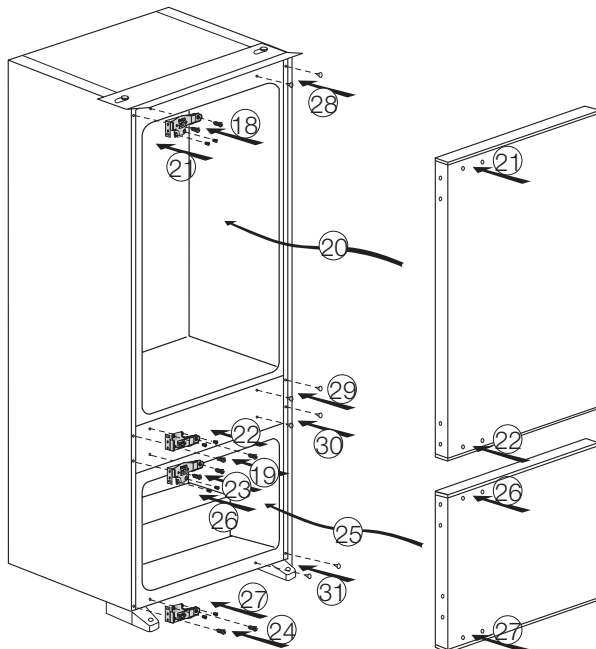
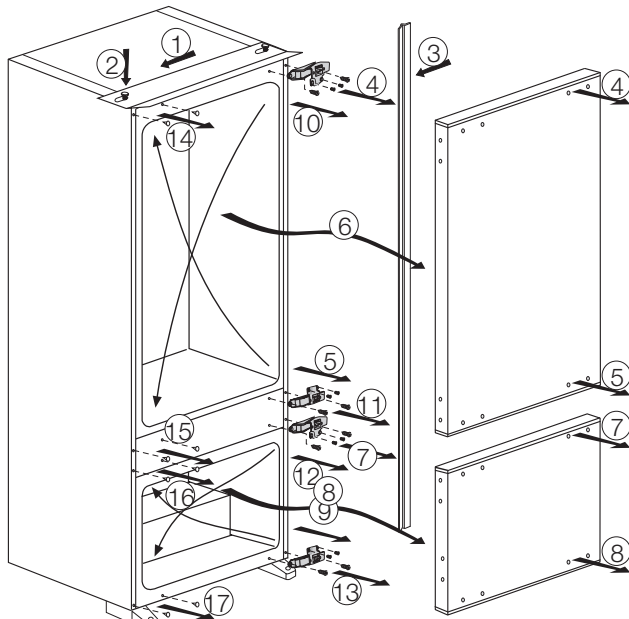
The intended purpose of this lamp is to assist the user to place foodstuffs in the refrigerator/freezer in a safe and comfortable way.

The lamps used in this appliance have to withstand extreme physical conditions such as temperatures below  $-20^{\circ}\text{C}$ .



# Reversing the doors

Proceed in numerical order

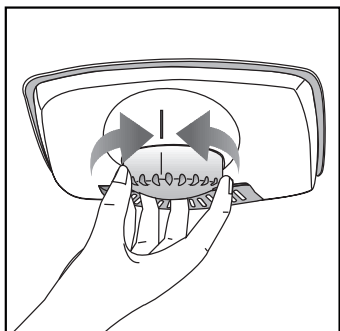


## 4 Preparation

---

- Your refrigerator should be installed at least 30 cm away from heat sources such as hobs, ovens, central heater and stoves and at least 5 cm away from electrical ovens and should not be located under direct sunlight.
- The ambient temperature of the room where you install your refrigerator should at least be 10°C. Operating your refrigerator under cooler conditions is not recommended with regard to its efficiency.
- Please make sure that the interior of your refrigerator is cleaned thoroughly.
- If two refrigerators are to be installed side by side, there should be at least 2 cm distance between them.
- When you operate your refrigerator for the first time, please observe the following instructions during the initial six hours.
- The door should not be opened frequently.
- It must be operated empty without any food in it.
- Do not unplug your refrigerator. If a power failure occurs out of your control, please see the warnings in the “Recommended solutions for the problems” section.
- Original packaging and foam materials should be kept for future transportations or moving.

## 5 Using your refrigerator



### Thermostat setting button

The interior temperature of your refrigerator changes for the following reasons;

- Seasonal temperatures,
- Frequent opening of the door and leaving the door open for long periods,
- Food put into the refrigerator without cooling down to the room temperature,
- The location of the refrigerator in the room (e.g. exposing to sunlight).
- You may adjust the varying interior temperature due to such reasons by using the thermostat. Numbers around the thermostat button indicates the cooling degrees.
- If the ambient temperature is higher than 32 °C, turn the thermostat button to maximum position.
- If the ambient temperature is lower than 25 °C, turn the thermostat button to minimum position.

### Defrost

#### Fridge compartment

Fridge compartment performs full-automatic defrosting. Water drops and a frosting up to 7-8 mm can occur on the inner rear wall of the fridge compartment while your refrigerator cools down. Such formation is normal as a result of the cooling system.

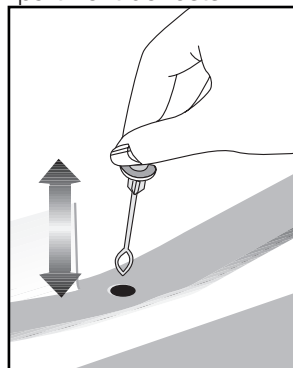
The frost formation is defrosted by performing automatic defrosting with certain intervals thanks to the automatic defrosting system of the rear wall. User is not required to scrape the frost or remove the water drops.

Water resulting from the defrosting passes from the water collection groove and flows into the evaporator through the drain pipe and evaporates here by itself.

Check regularly to see if the drain pipe is clogged or not and clear it with the stick in the hole when necessary.

Deep freezer compartment does not perform automatic defrosting in order to prevent decaying of the frozen food

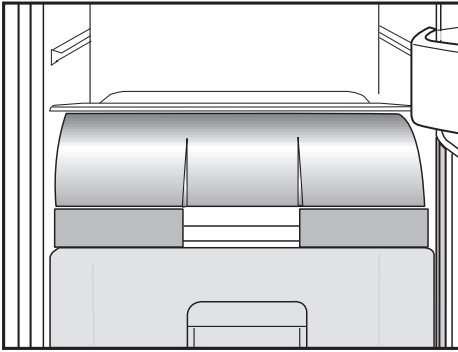
The freezer compartment defrosts automatically.





## Zero temperature compartment

This compartment has been designed to store frozen food which would be thawed slowly (meat, fish, chicken, etc.) as required. Zero temperature compartment is the coldest place of your refrigerator in which dairy products (cheese, butter), meat, fish or chicken may be kept at ideal storage conditions. Vegetables and/or fruits must not be placed in this compartment.



## 6 Maintenance and cleaning

---

- ⚠ Never use gasoline, benzene or similar substances for cleaning purposes.
- ⚠ We recommend that you unplug the appliance before cleaning.
- ⚠ Never use any sharp abrasive instrument, soap, household cleaner, detergent and wax polish for cleaning.
- ℹ Use lukewarm water to clean the cabinet of your refrigerator and wipe it dry.
- ℹ Use a damp cloth wrung out in a solution of one teaspoon of bicarbonate of soda to one pint of water to clean the interior and wipe it dry.
- ⚠ Make sure that no water enters the lamp housing and other electrical items.
- ⚠ If your refrigerator is not going to be used for a long period of time, unplug the power cable, remove all food, clean it and leave the door ajar.
- ℹ Check door seals regularly to ensure they are clean and free from food particles.

- ⚠ To remove door racks, remove all the contents and then simply push the door rack upwards from the base.
- ⚠ Never use cleaning agents or water that contain chlorine to clean the outer surfaces and chromium coated parts of the product. Chlorine causes corrosion on such metal surfaces.

### Protection of plastic surfaces

- ℹ Do not put the liquid oils or oil-cooked meals in your refrigerator in unsealed containers as they damage the plastic surfaces of your refrigerator. In case of spilling or smearing oil on the plastic surfaces, clean and rinse the relevant part of the surface at once with warm water.

## 7 Troubleshooting

Please review this list before calling the service. It will save your time and money. This list includes frequent complaints that are not arising from defective workmanship or material usage. Some of the features described here may not exist in your product.

The refrigerator does not operate.
<ul style="list-style-type: none"><li>• The plug is not inserted into the socket correctly. &gt;&gt;&gt;Insert the plug into the socket securely.</li><li>• The fuse of the socket which your refrigerator is connected to or the main fuse have blown out. &gt;&gt;&gt;Check the fuse.</li></ul>
Condensation on the side wall of the fridge compartment (MULTIZONE, COOL CONTROL and FLEXI ZONE).
<ul style="list-style-type: none"><li>• Ambient is very cold. &gt;&gt;&gt;Do not install the refrigerator in places where the temperature falls below 10 °C.</li><li>• Door has been opened frequently. &gt;&gt;&gt;Do not open and close the door of refrigerator frequently.</li><li>• Ambient is very humid. &gt;&gt;&gt;Do not install your refrigerator into highly humid places.</li><li>• Food containing liquid is stored in open containers. &gt;&gt;&gt;Do not store food with liquid content in open containers.</li><li>• Door of the refrigerator is left ajar. &gt;&gt;&gt;Close the door of the refrigerator.</li><li>• Thermostat is set to a very cold level. &gt;&gt;&gt;Set the thermostat to a suitable level.</li></ul>
Compressor is not running
<ul style="list-style-type: none"><li>• Protective thermic of the compressor will blow out during sudden power failures or plug-out plug-ins as the refrigerant pressure in the cooling system of the refrigerator has not been balanced yet. The refrigerator will start running approximately after 6 minutes. Please call the service if the refrigerator does not startup at the end of this period.</li><li>• The fridge is in defrost cycle. &gt;&gt;&gt;This is normal for a full-automatically defrosting refrigerator. Defrosting cycle occurs periodically.</li><li>• The refrigerator is not plugged into the socket. &gt;&gt;&gt;Make sure that the plug is fit into the socket.</li><li>• Temperature settings are not made correctly. &gt;&gt;&gt;Select the suitable temperature value.</li><li>• There is a power outage. &gt;&gt;&gt;Refrigerator returns to normal operation when the power restores.</li></ul>

The operation noise increases when the refrigerator is running.

- The operating performance of the refrigerator may change due to the changes in the ambient temperature. It is normal and not a fault.

The refrigerator is running frequently or for a long time.

- New product may be wider than the previous one. Larger refrigerators operate for a longer period of time.
- The room temperature may be high. >>>It is normal that the product operates for longer periods in hot ambient.
- The refrigerator might be plugged in recently or might be loaded with food. >>>When the refrigerator is plugged in or loaded with food recently, it will take longer for it to attain the set temperature. This is normal.
- Large amounts of hot food might be put in the refrigerator recently. >>>Do not put hot food into the refrigerator.
- Doors might be opened frequently or left ajar for a long time. >>>The warm air that has entered into the refrigerator causes the refrigerator to run for longer periods. Do not open the doors frequently.
- Freezer or fridge compartment door might be left ajar. >>>Check if the doors are closed completely.
- The refrigerator is adjusted to a very low temperature. >>>Adjust the refrigerator temperature to a warmer degree and wait until the temperature is achieved.
- Door seal of the fridge or freezer may be soiled, worn out, broken or not properly seated. >>>Clean or replace the seal. Damaged/broken seal causes the refrigerator to run for a longer period of time in order to maintain the current temperature.

Freezer temperature is very low while the fridge temperature is sufficient.

- The freezer temperature is adjusted to a very low value. >>>Adjust the freezer temperature to a warmer degree and check.

Fridge temperature is very low while the freezer temperature is sufficient.

- The fridge temperature is adjusted to a very low value. >>>Adjust the fridge temperature to a warmer degree and check.

Food kept in the fridge compartment drawers is frozen.

- The fridge temperature is adjusted to a very high value. >>>Adjust the fridge temperature to a lower value and check.

Temperature in the fridge or freezer is very high.

- The fridge temperature is adjusted to a very high value. >>>Fridge compartment temperature setting has an effect on the temperature of the freezer. Change the temperatures of the fridge or freezer and wait until the relevant compartments attain a sufficient temperature.
- Doors are opened frequently or left ajar for a long time. >>>Do not open the doors frequently.
- Door is ajar. >>>Close the door completely.
- The refrigerator is plugged in or loaded with food recently. >>>This is normal. When the refrigerator is plugged in or loaded with food recently, it will take longer for it to attain the set temperature.
- Large amounts of hot food might be put in the refrigerator recently. >>>Do not put hot food into the refrigerator.

Vibrations or noise.

- The floor is not level or stable. >>> If the refrigerator rocks when moved slowly, balance it by adjusting its feet. Also make sure that the floor is strong enough to carry the refrigerator, and level.
- The items put onto the refrigerator may cause noise. >>>Remove the items on top of the refrigerator.

There are noises coming from the refrigerator like liquid flowing, spraying, etc.

- Liquid and gas flows occur in accordance with the operating principles of your refrigerator. It is normal and not a fault.

Whistle comes from the refrigerator.

- Fans are used in order to cool the refrigerator. It is normal and not a fault.

Condensation on the inner walls of refrigerator.

- Hot and humid weather increases icing and condensation. It is normal and not a fault.
- Doors are opened frequently or left ajar for a long time. >>>Do not open the doors frequently. Close them if they are open.
- Door is ajar. >>>Close the door completely.

Humidity occurs on the outside of the refrigerator or between the doors.

- There might be humidity in the air; this is quite normal in humid weather. When the humidity is less, condensation will disappear.

#### Bad odour inside the refrigerator.

- No regular cleaning is performed. >>>Clean the inside of the refrigerator regularly with a sponge, lukewarm water or carbonate dissolved in water.
- Some containers or package materials may cause the smell. >>>Use a different container or different brand packaging material.
- Food is put into the refrigerator in uncovered containers. >>>Keep the food in closed containers. Microorganisms spreading out from uncovered containers can cause unpleasant odours.
- Remove the foods that have expired best before dates and spoiled from the refrigerator.

#### The door is not closing.

- Food packages are preventing the door from closing. >>>Replace the packages that are obstructing the door.
- The refrigerator is not completely even on the floor. >>>Adjust the feet to balance the refrigerator.
- The floor is not level or strong. >>>Make sure that the floor is level and capable to carry the refrigerator.

#### Crispers are stuck.

- The food is touching the ceiling of the drawer. >>>Rearrange food in the drawer.

## **Bitte lesen Sie zuerst diese Anleitung!**

Lieber Kunde,

Wir sind sicher, dass Ihnen dieses Produkt, das in modernsten Fertigungsstätten hergestellt und den strengsten Qualitätsprüfungen unterzogen wurde, lange Zeit gute Dienste leisten wird.




Wir empfehlen Ihnen, vor Inbetriebnahme des Gerätes das gesamte Handbuch durchzulesen und es anschließend aufzubewahren.

### **Diese Anleitung...**

- hilft Ihnen, Ihr Gerät schnell und sicher zu bedienen.
- Lesen Sie die Anleitung, bevor Sie Ihr Gerät aufstellen und bedienen.
- Halten Sie sich an die Anweisungen, beachten Sie insbesondere die Sicherheitshinweise.
- Bewahren Sie die Anleitung an einem leicht zugänglichen Ort auf, damit Sie jederzeit darin nachschlagen können.
- Lesen Sie auch die weiteren Dokumente, die mit Ihrem Produkt geliefert wurden.
- Bitte beachten Sie, dass diese Anleitung eventuell auch für andere Geräte eingesetzt werden kann.

### **Symbole und ihre Bedeutung**

In dieser Anleitung finden Sie die folgenden Symbole:

-  Wichtige Informationen oder nützliche Tipps.
-  Warnung vor Verletzungen oder Sachschäden.
-  Warnung vor elektrischem Strom.

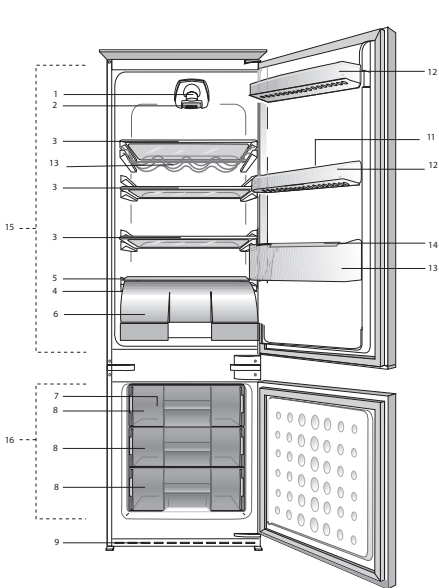
# INHALT

---

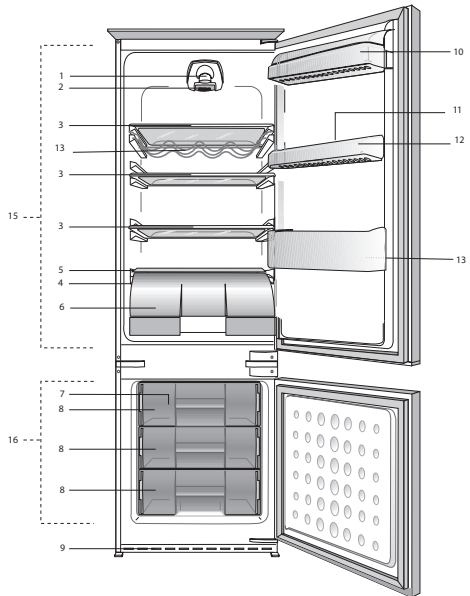
<b>1 Ihr Kühlschrank</b>	<b>3</b>	<b>4 Vorbereitung</b>	<b>15</b>
<b>2 Wichtige Sicherheitshinweise</b>	<b>4</b>	<b>5 So bedienen Sie Ihren Kühlschrank</b>	<b>16</b>
Bestimmungsgemäßer Einsatz.....	4	Temperatureinstellknopf.....	16
Allgemeine Hinweise zu Ihrer Sicherheit .....	4	Abtauen.....	16
Bei Geräten mit Wasserspender: .....	6	<b>6 Wartung und Reinigung</b>	<b>17</b>
Kinder – Sicherheit .....	6	Schutz der Kunststoffflächen .....	17
Konformität mit der WEEE-Richtlinie zur Entsorgung von Altgeräten .....	7	<b>7 Problemlösung</b>	<b>18</b>
Hinweise zur Verpackung .....	7		
HCA-Warnung.....	7		
Tipps zum Energiesparen .....	8		
<b>3 Installation</b>	<b>9</b>		
Wenn Sie den Kühlschrank versetzen möchten:.....	9		
Vor dem Einschalten.....	9		
Verpackungsmaterialien entsorgen ..	10		
Altgeräte entsorgen .....	10		
Aufstellung und Installation .....	10		
Austausch der Innenbeleuchtung ....	11		
Türanschlag umkehren.....	12		
Türanschlag umkehren.....	13		
0 °C-Fach.....	14		



# 1 Ihr Kühlschrank



**CBI 7771  
CBI 7771 F**



**CBI 7770**

- |   |                             |
|---|-----------------------------|
| 1. Thermostatknopf                        | 9. Lüftungsgitter           |
| 2. Innenbeleuchtung                       | 10. Butter- & Käsefächer    |
| 3. Bewegbare Regale                       | 11. Eierhalter              |
| 4. Tauwassersammelkanal -<br>Abflusskanal | 12. Adjustierende Türfächer |
| 5. Abdeckplatte für Gemüselade            | 13. Türregal                |
| 6. 0 °C-Fach                              | 14. Flaschenhalter          |
| 7. Eisschale                              | 15. Kühlbereich             |
| 8. Gefrierfach                            | 16. Gefrierfach             |

**i** Abbildungen und Angaben in dieser Anleitung sind schematisch und können etwas von Ihrem Produkt abweichen. Wenn die Teile nicht im gekauften Produkt enthalten sind, gelten sie für andere Modelle.

## 2 Wichtige Sicherheitshinweise

---

Bitte lesen Sie die folgenden Hinweise aufmerksam durch. Bei Nichtbeachtung dieser Angaben kann es zu Verletzungen und Sachschäden kommen. In diesem Fall erlöschen auch sämtliche Garantie- und sonstigen Ansprüche.

Originalersatzteile stehen für einen Zeitraum von 10 Jahren ab Kaufdatum zur Verfügung.

### Bestimmungsgemäßer Einsatz

Dieses Produkt dient dem Einsatz in

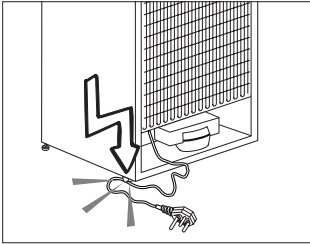
- Innenräumen und geschlossenen Bereichen, wie z. B. Haushalten;
- geschlossenen Arbeitsbereichen, wie Läden und Büros;
- geschlossenen Unterkunftsbereichen, wie Bauernhöfen, Hotels und Pensionen.
- Das Gerät sollte nicht im Freien benutzt werden.

### Allgemeine Hinweise zu Ihrer Sicherheit

- Wenn Sie das Gerät entsorgen möchten, wenden Sie sich am besten an den autorisierten Kundendienst. Hier erhalten Sie notwendige Informationen und erfahren, welche Stellen für die Entsorgung zuständig sind.
- Bei Problemen und Fragen zum Gerät wenden Sie sich grundsätzlich an den autorisierten Kundendienst. Ziehen Sie keine Dritten zu Rate, versuchen Sie nichts in Eigenregie, ohne den autorisierten Kundendienst davon in Kenntnis zu setzen.
- Bei Geräten mit Tiefkühlbereich: Der Verzehr von Speiseeis und Eiswürfeln unmittelbar nach der Entnahme aus dem Tiefkühlbereich ist nicht ratsam. (Dies kann zu Erfrierungen führen.)
- Bei Geräten mit Tiefkühlbereich: Bewahren Sie Getränke in Flaschen sowie Dosen niemals im Tiefkühlbereich auf. Diese platzen.
- Berühren Sie gefrorene Lebensmittel nicht mit der Hand; sie können festfrieren.
- Trennen Sie Ihren Kühlschrank vor dem Reinigen oder Abtauen vom Stromnetz.
- Verwenden Sie niemals Dampf- oder Sprühreiniger zum Reinigen und Abtauen Ihres Kühlschranks. Die Dämpfe oder Nebel können in Kontakt mit stromführenden Teilen geraten und Kurzschlüsse oder Stromschläge auslösen.
- Missbrauchen Sie niemals Teile Ihres Kühlschranks (z. B. Tür) als Befestigungen oder Kletterhilfen.
- Nutzen Sie keine elektrischen Geräte innerhalb des Kühlschranks.
- Achten Sie darauf, den Kühlkreislauf keinesfalls mit Bohr- oder Schneidwerkzeugen zu beschädigen. Das Kühlmittel kann herausspritzen, wenn die Gaskanäle des Verdunsters, Rohr- und Schlauchleitungen oder Oberflächenversiegelungen beschädigt werden. Dies kann zu Hautreizungen und Augenverletzungen führen.
- Decken Sie keinerlei Belüftungsöffnungen des Kühlschranks ab.

- Elektrische Geräte dürfen nur von autorisierten Fachkräften repariert werden. Reparaturen durch weniger kompetente Personen können erhebliche Gefährdungen des Anwenders verursachen.
- Sollten Fehler oder Probleme während der Wartung oder Reparaturarbeiten auftreten, so trennen Sie den Kühlschrank von der Stromversorgung, indem Sie die entsprechende Sicherung abschalten oder den Netzstecker ziehen.
- Ziehen Sie niemals am Netzkabel – ziehen Sie direkt am Stecker.
- Lagern Sie hochprozentige alkoholische Getränke gut verschlossen und aufrecht.
- Bewahren Sie niemals Sprühdosen mit brennbaren und explosiven Substanzen im Kühlschrank auf.
- Nutzen Sie keine mechanischen oder anderen Hilfsmittel, um das Gerät abzutauen – es sei denn, solche Hilfsmittel werden ausdrücklich vom Hersteller empfohlen.
- Dieses Produkt darf nicht von Personen (einschließlich Kindern) mit eingeschränkten physischen, sensorischen oder geistigen Fähigkeiten bedient werden, sofern sie nicht durch eine Person, die für ihre Sicherheit verantwortlich ist, in der Bedienung des Produktes angeleitet werden.
- Nehmen Sie einen beschädigten Kühlschrank nicht in Betrieb. Wenden Sie sich bei jeglichen Zweifeln an einen Kundendienstmitarbeiter.
- Die elektrische Sicherheit des Gerätes ist nur dann gewährleistet, wenn das hausinterne Erdungssystem den zutreffenden Normen entspricht.
- Setzen Sie das Gerät keinem Regen, Schnee, direktem Sonnenlicht oder Wind aus; dies kann die elektrische Sicherheit gefährden.
- Wenden Sie sich zur Vermeidung von Gefahren an den autorisierten Kundendienst, falls das Netzkabel beschädigt ist.
- Stecken Sie während der Installation niemals den Netzstecker ein. Andernfalls kann es zu schweren bis tödlichen Verletzungen kommen.
- Dieser Kühlschrank dient nur der Aufbewahrung von Lebensmitteln. Für andere Zwecke sollte er nicht verwendet werden.
- Das Etikett mit den technischen Daten befindet sich an der linken Innenwand des Kühlschranks.
- Schließen Sie Ihren Kühlschrank niemals an energiesparende Systeme an; dies kann den Kühlschrank beschädigen.
- Falls der Kühlschrank über ein blaues Licht verfügt, blicken Sie nicht mit optischen Werkzeugen in das blaue Licht.
- Bei manuell gesteuerten Kühlschränken warten Sie mindestens 5 Minuten, bevor Sie den Kühlschrank nach einem Stromausfall wieder einschalten.
- Falls Sie das Gerät an einen anderen Besitzer weitergeben, vergessen Sie nicht, die Bedienungsanleitung ebenfalls auszuhändigen.
- Achten Sie darauf, dass das Netzkabel beim Transport des Kühlschranks nicht beschädigt wird. Übermäßiges Biegen des Kabels birgt Brandgefahr. Platzieren Sie keine schweren Gegenstände auf dem Netzkabel.

- Berühren Sie den Netzstecker niemals mit feuchten oder gar nassen Händen.



- Schließen Sie den Kühlschrank nicht an lose Steckdosen an.
- Sprühen Sie aus Sicherheitsgründen niemals Wasser auf die Innen- und Außenflächen des Gerätes.
- Sprühen Sie keine Substanzen mit brennbaren Gasen, wie z. B. Propangas, in die Nähe des Kühlschranks; andernfalls bestehen Brand- und Explosionsgefahr.
- Stellen Sie keine mit Wasser gefüllten Gegenstände auf den Kühlschrank; dies birgt Brand- und Stromschlaggefahr.
- Überladen Sie das Gerät nicht mit Lebensmitteln. Wenn das Gerät überladen ist, können beim Öffnen der Kühlschranktür Lebensmittel herausfallen und Verletzungen verursachen.
- Stellen Sie keinesfalls Gegenstände auf den Kühlschrank; sie könnten beim Öffnen oder Schließen der Kühlschranktür herunterfallen.
- Materialien wie beispielsweise Impfstoffe, wärmeempfindliche Arznei, wissenschaftliche Proben usw. sollten nicht im Kühlschrank aufbewahrt werden, da sie bei exakt festgelegten Temperaturen gelagert werden müssen.

- Trennen Sie den Kühlschrank vom Stromnetz, wenn er längere Zeit nicht benutzt wird. Ein mögliches Problem im Netzkabel kann einen Brand auslösen.
- Die Steckerkontakte sollten regelmäßig mit einem trockenen Tuch gereinigt werden; andernfalls besteht Brandgefahr.
- Wenn die höhenverstellbaren Füße nicht sicher auf dem Boden stehen, kann sich der Kühlschrank bewegen. Die angemessene Sicherung der höhenverstellbaren Füße am Boden kann eine Bewegung des Kühlschranks verhindern.
- Halten Sie den Kühlschrank beim Tragen nicht am Türgriff. Andernfalls könnte er abbrechen.
- Wenn Sie Ihr Produkt neben einem anderen Kühl- oder Gefrierschrank aufstellen möchten, sollte der Abstand zwischen beiden Geräten mindestens 8 cm betragen. Andernfalls können die benachbarten Seitenwände feucht werden.

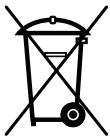
### **Bei Geräten mit Wasserspender:**

Der Wasserdruck sollte zwischen 1 und 8 bar liegen.

- Nur Trinkwasser verwenden.
- ### **Kinder – Sicherheit**
- Bei abschließbaren Türen bewahren Sie den Schlüssel außerhalb der Reichweite von Kindern auf.
  - Achten Sie darauf, dass Kinder nicht mit dem Produkt spielen.

## Konformität mit der WEEE-Richtlinie zur Entsorgung von Altgeräten

Dieses Produkt enthält keine der in der vom türkischen Ministerium für Umwelt und Städteplanung ausgestellten „Richtlinie zur Steuerung von elektrischen und elektronischen Altgeräten“ beschriebenen gefährlichen oder verbotenen Materialien. Übereinstimmung mit WEEE-Richtlinie.



Dieses Gerät wurde mit hochwertigen Materialien hergestellt, die wiederverwendet und recycelt werden können.

Entsorgen Sie das Gerät am Ende seiner Einsatzzeit

daher nicht mit dem regulären Hausmüll. Bringen Sie das Gerät zu einer Sammelstelle zum Recycling von elektrischen und elektronischen Geräten. Ihre Stadtverwaltung informiert Sie gerne über Sammelstellen in Ihrer Nähe. Durch das Recycling von Altgeräten leisten Sie einen wichtigen Beitrag zum Umweltschutz und zum Erhalt natürlicher Ressourcen. Zur Sicherheit von Kindern: Schneiden Sie vor der Entsorgung des Produktes das Netzkabel ab und setzen Sie den Sperrmechanismus der Tür außer Kraft (sofern vorhanden).

## Hinweise zur Verpackung

Die Verpackungsmaterialien des Gerätes wurden gemäß nationalen Umweltschutzbestimmungen aus recyclingfähigen Materialien hergestellt. Entsorgen Sie Verpackungsmaterialien nicht mit dem regulären Hausmüll oder anderen Abfällen. Bringen Sie Verpackungsmaterialien zu geeigneten Sammelstellen; Ihre Stadtverwaltung berät Sie gern.

### Nicht vergessen!

Recycelte Materialien leisten einen wichtigen Beitrag zu einer schönen und gesunden Umwelt.

Wenn Sie zur Wiederverwertung von Verpackungsmaterialien beitragen möchten, informieren Sie sich bei Ihren Umweltschutzbehörden oder der Stadtverwaltung, wo entsprechende Sammelstellen zu finden sind.

## HCA-Warnung

### Falls das Kühlsystem Ihres Produktes R600a enthält:

Dieses Gas ist leicht entflammbar. Achten Sie also darauf, Kühlkreislauf und Leitungen während Betrieb und Transport nicht zu beschädigen. Bei Beschädigungen halten Sie das Produkt von potenziellen Zündquellen (z. B. offenen Flammen) fern und sorgen für eine gute Belüftung des Raumes, in dem das Gerät aufgestellt wurde.

**Ignorieren Sie diese Warnung, falls das Kühlsystem Ihres Produktes R134a enthält.**

Die Art des im Gerät eingesetzten Gases wird auf dem Typenschild an der linken Innenwand des Kühlschranks angegeben.

Entsorgen Sie das Produkt keinesfalls durch Verbrennen.

**Tipps zum Energiesparen**

- Halten Sie die Kühlschranktüren nur möglichst kurz geöffnet.
  - Geben Sie keine warmen Speisen oder Getränke in den Kühlschrank.
  - Überladen Sie den Kühlschrank nicht; die Luft muss frei zirkulieren können.
  - Stellen Sie den Kühlschrank nicht im direkten Sonnenlicht oder in der Nähe von Wärmequellen wie Öfen, Spülmaschinen oder Heizkörpern auf. Halten Sie den Kühlschrank mindestens 30 cm von Wärmequellen und mindestens 5 cm von elektrischen Öfen entfernt.
  - Achten Sie darauf, Ihre Lebensmittel in verschlossenen Behältern aufzubewahren.
- Bei Geräten mit Tiefkühlbereich: Sie können noch mehr Lebensmittel einlagern, wenn Sie die Ablage oder Schublade aus dem Tiefkühlbereich herausnehmen. Der für Ihren Kühlschrank angegebene Energieverbrauch wurde nach dem Entfernen der Ablage oder Schublade und bei maximaler Beladung bestimmt. Ansonsten ist es Ihnen freigestellt, die Ablage oder Schublade zu verwenden.
  - Das Auftauen von gefrorenen Lebensmitteln im Kühlbereich ist energiesparend und bewahrt die Qualität der Lebensmittel.

### 3 Installation

⚠ Der Hersteller haftet nicht, falls die Angaben in dieser Anleitung nicht berücksichtigt werden.

#### **Wenn Sie den Kühlschrank versetzen möchten:**

1. Ziehen Sie zuvor den Netzstecker. Der Kühlschrank sollte geleert und gesäubert werden, bevor Sie ihn transportieren oder versetzen.
2. Sichern Sie die beweglichen Teile im Inneren (z. B. Ablagen, Zubehör, Gemüsefach etc.) vor dem Verpacken mit Klebeband, schützen Sie solche Teile vor Stößen. Umwickeln Sie die Verpackung mit kräftigem Klebeband oder stabilen Schnüren, beachten Sie die Transporthinweise auf der Verpackung.
3. Originalverpackung und Schaumstoffmaterialien sollten zum zukünftigen Transport des Gerätes aufbewahrt werden.

#### **Vor dem Einschalten**

Beachten Sie Folgendes, bevor Sie Ihren Kühlschrank benutzen:

1. Bringen Sie die beiden Kunststoffkeile wie nachstehend abgebildet an. Die Kunststoffkeile sorgen für den nötigen Abstand zwischen Kühlschrank und Wand, damit die Luft frei zirkulieren kann. (Die Abbildung dient lediglich zur Orientierung und kann daher etwas von Ihrem Gerät abweichen.)
2. Reinigen Sie das Innere des Kühlschranks wie im Abschnitt „Wartung und Reinigung“ beschrieben.

3. Schließen Sie den Netzstecker des Kühlschranks an eine Steckdose an. Beim Öffnen der Tür leuchtet die Innenbeleuchtung auf.
4. Beim Anspringen des Kompressors sind Geräusche zu hören. Die Flüssigkeiten und Gase im Kühlsystem können auch leichte Geräusche erzeugen, wenn der Kompressor nicht läuft. Dies ist völlig normal.
5. Die Vorderkanten des Kühlgerätes können sich warm anfühlen. Dies ist normal. Diese Bereiche wärmen sich etwas auf, damit sich kein Kondenswasser bildet.

#### **Elektrischer Anschluss**

Schließen Sie das Gerät an eine geerdete (Schuko-) Steckdose an. Diese Steckdose muss mit einer passenden Sicherung abgesichert werden.

Wichtig:

- Der Anschluss muss gemäß lokaler Vorschriften erfolgen.
- Der Netzstecker muss nach der Installation frei zugänglich bleiben.
- Die elektrische Sicherheit des Gerätes ist nur dann gewährleistet, wenn das hausinterne Erdungssystem den zutreffenden Normen entspricht.
- Die auf dem Typenschild an der linken Innenwand des Gerätes angegebene Spannung muss mit Ihrer Netzspannung übereinstimmen.
- **Zum Anschluss dürfen keine Verlängerungskabel oder Mehrfachsteckdosen verwendet werden.**

⚠ Ein beschädigtes Netzkabel muss unverzüglich durch einen qualifizierten Elektriker ausgetauscht werden.

⚠ Das Gerät darf vor Abschluss der Reparaturen nicht mehr betrieben werden! Es besteht Stromschlaggefahr!

## **Verpackungsmaterialien entsorgen**

Das Verpackungsmaterial kann eine Gefahr für Kinder darstellen. Halten Sie Verpackungsmaterialien von Kindern fern oder entsorgen Sie das Verpackungsmaterial gemäß gültigen Entsorgungsbestimmungen. Entsorgen Sie das Verpackungsmaterial über geeignete Sammelstellen (Ihre Stadtverwaltung informiert Sie gerne), nicht über den regulären Hausmüll.

Die Verpackung Ihres Gerätes wurde aus recyclingfähigen Materialien hergestellt.

## **Altgeräte entsorgen**

Entsorgen Sie Altgeräte auf umweltfreundliche Weise.

- Bei Fragen zur richtigen Entsorgung wenden Sie sich bitte an Ihren Händler, an eine Sammelstelle oder an Ihre Stadtverwaltung.

Bevor Sie das Gerät entsorgen, schneiden Sie den Netzstecker ab und machen die Türverschlüsse (sofern vorhanden) unbrauchbar, damit Kinder nicht in Gefahr gebracht werden.

## **Aufstellung und Installation**

⚠ Falls die Tür des Raumes, in dem der Kühlschrank aufgestellt werden soll, nicht breit genug ist, wenden Sie sich an den autorisierten Kundendienst, lassen die Kühlschranktüren demontieren und befördern das Gerät seitlich durch die Tür.

1. Stellen Sie Ihren Kühlschrank an einer gut erreichbaren Stelle auf.
2. Platzieren Sie den Kühlschrank nicht in der Nähe von Wärmequellen oder dort, wo er Feuchtigkeit oder direktem Sonnenlicht ausgesetzt ist.
3. Damit das Gerät richtig arbeiten kann, müssen Sie ausreichend Platz um das Gerät herum freilassen, damit eine ordentliche Belüftung gewährleistet ist. Wenn Sie den Kühlschrank in einer Nische aufstellen, müssen Sie einen Abstand von mindestens 5 cm zur Decke und 5 cm zu den Wänden einhalten. Stellen Sie das Gerät nicht auf Materialien wie Teppichen oder Teppichböden auf.
4. Stellen Sie Ihren Kühlschrank auf einem ebenen Untergrund auf, damit er nicht wackelt.



## **Austausch der Innenbeleuchtung**

Die Innenbeleuchtung Ihres Kühlschranks sollte ausschließlich vom autorisierten Kundendienst ausgetauscht werden.

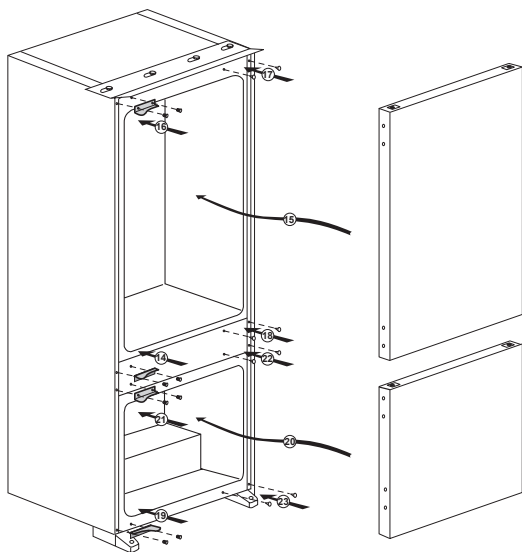
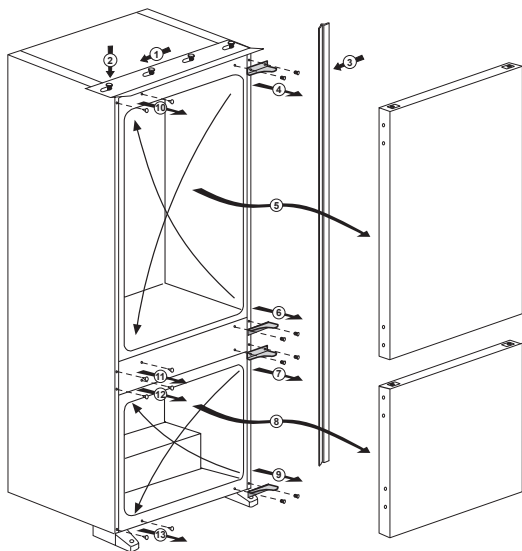
Die Glühbirnen für dieses Haushaltsgerät sind für Beleuchtungszwecke nicht geeignet.

Die beabsichtigte Aufgabe dieser Lampe ist es den Benutzer zu ermöglichen die Platzierung der Lebensmittel in den Kühlschrank / Eiskühltruhe sicher und bequem vorzunehmen.

Die in diesem Gerät verwendeten Lampen müssen extremen physikalischen Bedingungen, wie z. B. Temperaturen von  $-20^{\circ}\text{C}$ , standhalten.

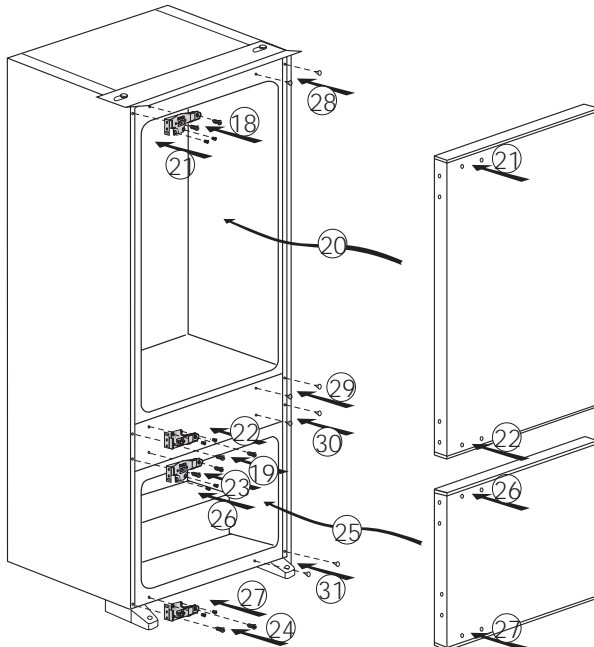
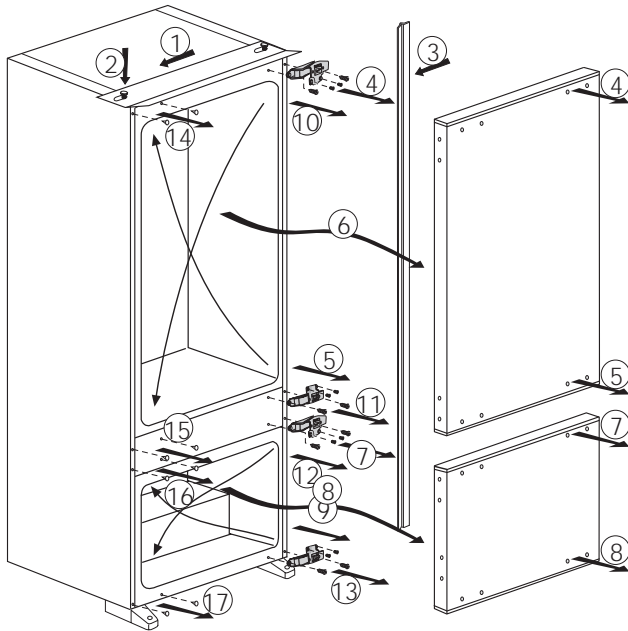
# Türanschlag umkehren

Gehen Sie der Reihe nach vor.



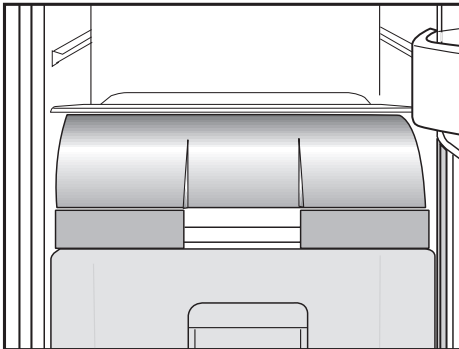
# Türanschlag umkehren

Gehen Sie der Reihe nach vor.



## 0 °C-Fach

Dieses Fach können Sie zur Aufbewahrung von gefrorenen Lebensmitteln verwenden, die langsam aufgetaut werden sollen (z. B. Fleisch, Fisch, Geflügel, usw.). Das 0 °C-Fach ist die kälteste Stelle Ihres Kühlschranks, an der ideale Lagerbedingungen für Milchprodukte (Käse, Butter), Fleisch, Fisch oder Geflügel herrschen. Gemüse und Früchte sollten jedoch nicht in diesem Fach gelagert werden.



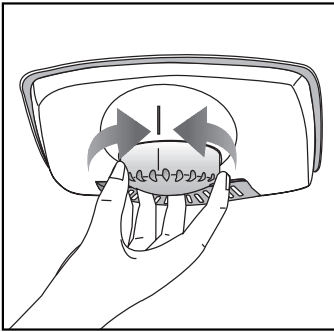
## 4 Vorbereitung

---

- Ihr Kühlschrank / Gefrierschrank sollte mindestens 30 cm von Hitzequellen wie Kochstellen, Öfen, Heizungen, Herden und ähnlichen Einrichtungen aufgestellt werden. Halten Sie mindestens 5 cm Abstand zu Elektroöfen ein, vermeiden Sie die Aufstellung im direkten Sonnenlicht.
- Die Zimmertemperatur des Raumes, in dem der Kühlschrank / Gefrierschrank aufgestellt wird, sollte mindestens 10 °C betragen. Im Hinblick auf den Wirkungsgrad ist der Betrieb des Kühlschrank / Gefrierschranks bei geringerer Umgebungstemperatur nicht ratsam.
- Sorgen Sie dafür, dass das Innere Ihres Kühlschrank / Gefrierschranks gründlich gereinigt wird.
- Falls zwei Kühlschränke nebeneinander platziert werden sollen, achten Sie darauf, dass sie mindestens 2 cm voneinander entfernt aufgestellt werden.
- Wenn Sie den Kühlschrank / Gefrierschrank zum ersten Mal in Betrieb nehmen, halten Sie sich bitte an die folgenden Anweisungen für die ersten sechs Betriebsstunden.
- Die Kühlschrank / Gefrierschrantür sollte nicht zu häufig geöffnet werden.
- Der Kühlschrank / Gefrierschrank muss zunächst vollständig leer arbeiten.
- Ziehen Sie nicht den Netzstecker. Falls der Strom ausfallen sollte, beachten Sie die Warnhinweise im Abschnitt „Empfehlungen zur Problemlösung“.
- Originalverpackung und Schaumstoffmaterialien sollten zum zukünftigen Transport des Gerätes aufbewahrt werden.

## 5 So bedienen Sie Ihren Kühlschrank

### Temperatureinstellknopf



Die Innentemperatur Ihres Kühlschranks hängt teilweise von folgenden Einflüssen ab:

- Umgebungstemperatur
- Häufigkeit der Türöffnungen, Offenstehen der Tür über längere Zeit
- Einlagern von Lebensmitteln, ohne diese zuvor auf Raumtemperatur abkühlen zu lassen
- Platzierung des Kühlschranks innerhalb des Raumes (z. B. im direkten Sonnenlicht).
- Zum Anpassen der Innentemperatur an solche Einflüsse benutzen Sie den Temperatureinstellknopf. Die Zahlen rund um die Knopf zeigen die Kühlungsleistung an.
- Bei niedrigen Umgebungstemperaturen zwischen 0 und -15 °C (zum Beispiel bei Aufstellung in der Garage) sollten

Sie den Knopf auf die Einstellung 4 einstellen, damit -18 °C im Tiefkühlbereich erreicht werden. Sie können noch tiefere Temperaturen erreichen, indem Sie den Einstellknopf zur Position Max. hin drehen.

• Das maximale Stauvolumen erreichen Sie, wenn Sie die obere Ablage aus dem Tiefkühlbereich entfernen. Der Energieverbrauch Ihres Gerätes wurde bei vollständiger Belegung des Tiefkühlbereiches ohne obere Ablage ermittelt.

### Abtauen Kühlbereich

Der Kühlbereich taut vollautomatisch ab. Im Betrieb können sich Wassertropfen und eine 7 – 8 mm starke Eisschicht an der Innenwand des Kühlbereiches absetzen. Dies ist vollkommen normal und ein Nebeneffekt des Kühlungssystems. Dank des automatischen Abtausystems an der Rückwand wird das Eis in bestimmten Abständen automatisch abgetaut. Weder Eis noch Wassertropfen müssen manuell entfernt werden.

Beim Abtauen läuft das Tauwasser in die Ablaufrinne und fließt anschließend zum Verdampfer - hier verdunstet das Wasser automatisch.

Überzeugen Sie sich regelmäßig davon, dass der Ablauf nicht verstopft ist; beseitigen Sie eventuelle Verstopfungen mit dem Stäbchen.

Der Tiefkühlbereich taut automatisch ab.

## 6 Wartung und Reinigung

---

- ⚠ Verwenden Sie zu Reinigungszwecken niemals Benzin oder ähnliche Substanzen.
- ⚠ Wir empfehlen, vor dem Reinigen den Netzstecker zu ziehen.
- ℹ Verwenden Sie zur Reinigung niemals scharfe Gegenstände, Seife, Haushaltsreiniger, Waschmittel oder Wachspolituren.
- ℹ Reinigen Sie das Gehäuse des Gerätes mit lauwarmem Wasser, wischen Sie die Flächen danach trocken.
- ⚠ Zur Reinigung des Innenraums verwenden Sie ein feuchtes Tuch, das Sie in eine Lösung aus 1 Teelöffel Natron und einem halben Liter Wasser getaucht und ausgewrungen haben. Nach dem Reinigen wischen Sie den Innenraum trocken.
- ⚠ Achten Sie darauf, dass kein Wasser in das Lampengehäuse oder andere elektrische Komponenten eindringt.
- ⚠ Wenn Ihr Kühlgerät längere Zeit nicht benutzt wird, ziehen Sie den Netzstecker, nehmen alle Lebensmittel heraus, reinigen das Gerät und lassen die Türe geöffnet.
- ℹ Kontrollieren Sie die Türdichtungen regelmäßig, um sicherzustellen, dass diese sauber und frei von Speiseresten sind.
- ℹ Zum Entfernen einer Türablage räumen Sie sämtliche Gegenständen aus der Ablage und schieben diese dann nach oben heraus.

- ℹ Verwenden Sie zur Reinigung der Außenflächen und Chrombeschichteten Produktteile niemals Reinigungsmittel oder Wasser, die/das Chlor enthält. Chlor lässt Metalloberflächen korrodieren.

### **Schutz der Kunststoffflächen**

- ℹ Geben Sie keine Öle oder stark fetthaltige Speisen offen in Ihren Kühlschrank / Gefrierschrank – dadurch können die Kunststoffflächen angegriffen werden. Sollten die Plastikoberflächen einmal mit Öl in Berührung kommen, so reinigen Sie die entsprechend Stellen umgehend mit warmem Wasser.

## 7 Problemlösung

Bitte arbeiten Sie diese Liste durch, bevor Sie sich an den Kundendienst wenden. Dies kann Ihnen Zeit und Geld sparen. In der Liste finden Sie häufiger auftretende Probleme, die nicht auf Verarbeitungs- oder Materialfehler zurückzuführen sind. Nicht alle hier beschriebenen Funktionen sind bei jedem Modell verfügbar.

### Der Kühlschrank arbeitet nicht.

- Der Netzstecker ist nicht richtig eingesteckt. >>> Stecken Sie den Netzstecker bis zum Anschlag in die Steckdose.
- Die entsprechende Haussicherung ist herausgesprungen oder durchgebrannt. >>> Überprüfen Sie die Sicherung.

### Kondensation an den Seitenwänden des Kühlbereiches (Multizone, Kühlkontrolle und FlexiZone).

- Die Umgebungsluft ist zu kalt. >>> Stellen Sie den Kühlschrank nicht an Orten mit Temperaturen unter 10 °C auf.
- Die Tür wurde häufig geöffnet. >>> Verzichten Sie auf häufiges Öffnen der Kühlschranktür.
- Die Luftfeuchtigkeit in der Umgebung ist zu hoch. >>> Stellen Sie Ihren Kühlschrank nicht an Orten mit hoher Luftfeuchtigkeit auf.
- Lebensmittel mit hohem Flüssigkeitsanteil werden in offenen Behältern aufbewahrt. >>> Bewahren Sie Lebensmittel mit hohem Flüssigkeitsanteil nicht in offenen Behältern auf.
- Die Kühlschranktür steht offen. >>> Schließen Sie die Kühlschranktür.
- Das Thermostat ist auf eine sehr geringe Temperatur eingestellt. >>> Stellen Sie das Thermostat entsprechend nach.

### Der Kompressor läuft nicht.

- Eine Schutzschaltung stoppt den Kompressor bei kurzzeitigen Unterbrechungen der Stromversorgung und wenn das Gerät zu oft und schnell ein- und ausgeschaltet wird, da der Druck des Kühlmittels eine Weile lang ausgeglichen werden muss. Der Kühlschrank beginnt nach etwa sechs Minuten wieder zu arbeiten. Bitte wenden Sie sich an den Kundendienst, falls Ihr Kühlschrank nach Ablauf dieser Zeit nicht wieder zu arbeiten beginnt.
- Der Kühlschrank taut ab. >>> Dies ist bei einem vollautomatisch abtauenden Kühlschrank völlig normal. Das Gerät taut von Zeit zu Zeit ab.
- Der Netzstecker ist nicht eingesteckt. >>> Überprüfen Sie, ob der Netzstecker richtig eingesteckt wurde.
- Die Temperatur ist nicht richtig eingestellt. >>> Wählen Sie eine geeignete Temperatur.
- Der Strom ist ausgefallen. >>> Sobald die Stromversorgung wiederhergestellt ist, nimmt der Kühlschrank den Betrieb wieder auf.



Das Betriebsgeräusch nimmt zu, wenn der Kühlschrank arbeitet.
<ul style="list-style-type: none"> <li>• Das Leistungsverhalten des Kühlgerätes kann sich je nach Umgebungstemperatur ändern. Dies ist völlig normal und keine Fehlfunktion.</li> </ul>
Der Kühlschrank arbeitet sehr intensiv oder über eine sehr lange Zeit.
<ul style="list-style-type: none"> <li>• Ihr neues Gerät ist vielleicht etwas breiter als sein Vorgänger. Große Kühlgeräte arbeiten oft etwas länger.</li> <li>• Die Umgebungstemperatur ist eventuell sehr hoch. &gt;&gt;&gt; Bei hohen Umgebungstemperaturen arbeitet das Gerät etwas länger.</li> <li>• Der Kühlschrank wurde möglicherweise erst vor Kurzem in Betrieb genommen oder mit Lebensmitteln gefüllt. &gt;&gt;&gt; Wenn der Kühlschrank erst vor Kurzem in Betrieb genommen oder mit Lebensmitteln gefüllt wurde, dauert es einige Zeit, bis er die eingestellte Temperatur erreicht. Dies ist normal.</li> <li>• Kurz zuvor wurden größere Mengen warmer Speisen in den Kühlschrank gestellt. &gt;&gt;&gt; Geben Sie keine warmen oder gar heißen Speisen in den Kühlschrank.</li> <li>• Die Türen wurden häufig geöffnet oder längere Zeit nicht richtig geschlossen. &gt;&gt;&gt; Der Kühlschrank muss länger arbeiten, weil warme Luft in den Innenraum eingedrungen ist. Verzichten Sie auf häufiges Öffnen der Türen.</li> <li>• Die Türen des Kühl- oder Tiefkühlbereiches wurden nicht richtig geschlossen. &gt;&gt;&gt; Vergewissern Sie sich, dass die Türen richtig geschlossen wurden.</li> <li>• Die Kühlschranktemperatur ist sehr niedrig eingestellt. &gt;&gt;&gt; Stellen Sie die Kühlschranktemperatur höher ein. Warten Sie dann ab, bis die gewünschte Temperatur erreicht ist.</li> <li>• Die Türdichtungen von Kühl- oder Gefrierbereich sind verschmutzt, verschlissen, beschädigt oder sitzen nicht richtig. &gt;&gt;&gt; Reinigen oder ersetzen Sie die Dichtung. Beschädigte oder defekte Dichtungen führen dazu, dass der Kühlschrank länger arbeiten muss, um die Temperatur halten zu können.</li> </ul>
Die Temperatur im Tiefkühlbereich ist sehr niedrig, während die Temperatur im Kühlbereich normal ist.
<ul style="list-style-type: none"> <li>• Die Tiefkühltemperatur ist sehr niedrig eingestellt. &gt;&gt;&gt; Stellen Sie die Tiefkühltemperatur wärmer ein, prüfen Sie die Temperatur nach einer Weile.</li> </ul>
Die Temperatur im Kühlbereich ist sehr niedrig, während die Temperatur im Tiefkühlbereich normal ist.
<ul style="list-style-type: none"> <li>• Die Kühltemperatur ist sehr niedrig eingestellt. &gt;&gt;&gt; Stellen Sie die Kühlbereichtemperatur wärmer ein, prüfen Sie die Temperatur nach einer Weile.</li> </ul>
Im Kühlbereich gelagerte Lebensmittel frieren ein.
<ul style="list-style-type: none"> <li>• Die Kühltemperatur ist sehr niedrig eingestellt. &gt;&gt;&gt; Wählen Sie eine höhere Kühlbereichtemperatur, prüfen Sie die Temperatur nach einer Weile.</li> </ul>

Die Temperatur im Kühl- oder Tiefkühlbereich ist sehr hoch.

- Die Kühltemperatur ist sehr hoch eingestellt. >>> Die Kühlbereichtemperatur wirkt sich auf die Temperatur des Tiefkühlbereichs aus. Ändern Sie die Temperatur des Kühl- oder Tiefkühlbereichs und warten Sie, bis die entsprechenden Fächer eine geeignete Temperatur erreicht haben.
- Türen wurden häufig geöffnet oder längere Zeit nicht richtig geschlossen. >>> Verzichten Sie auf häufiges Öffnen der Türen.
- Die Tür steht offen. >>> Schließen Sie die Tür komplett.
- Der Kühlschrank wurde möglicherweise erst vor Kurzem in Betrieb genommen oder mit Lebensmitteln gefüllt. >>> Dies ist normal. Wenn der Kühlschrank erst vor Kurzem in Betrieb genommen oder mit Lebensmitteln gefüllt wurde, dauert es einige Zeit, bis er die eingestellte Temperatur erreicht.
- Kurz zuvor wurden größere Mengen warmer Speisen in den Kühlschrank gestellt. >>> Geben Sie keine warmen oder gar heißen Speisen in den Kühlschrank.

Vibrationen oder Betriebsgeräusche.

- Der Boden ist nicht eben oder nicht stabil genug. >>> Falls der Kühlschrank bei leichten Bewegungen wackelt, gleichen Sie ihn mit Hilfe seiner Füße aus. Achten Sie außerdem darauf, dass der Boden eben ist und das Gewicht des Kühlschranks problemlos tragen kann.
- Gegenstände, die auf dem Kühlschrank abgestellt wurden, können Geräusche verursachen. >>> Nehmen Sie die Gegenstände vom Kühlschrank.

Fließ- oder Spritzgeräusche sind zu hören.

- Aus technischen Gründen bewegen sich Flüssigkeiten und Gase innerhalb des Gerätes. Dies ist völlig normal und keine Fehlfunktion.

Der Kühlschrank pfeift.

- Zum gleichmäßigen Kühlen werden Ventilatoren eingesetzt. Dies ist völlig normal und keine Fehlfunktion.

Kondensation an den Kühlschrankinnenflächen.

- Bei heißen und feuchten Wetterlagen treten verstärkt Eisbildung und Kondensation auf. Dies ist völlig normal und keine Fehlfunktion.
- Türen wurden häufig geöffnet oder längere Zeit nicht richtig geschlossen. >>> Verzichten Sie auf häufiges Öffnen der Türen. Schließen Sie geöffnete Türen.
- Die Tür steht offen. >>> Schließen Sie die Tür komplett.

Feuchtigkeit sammelt sich an der Außenseite des Kühlschranks oder an den Türen.

- Eventuell herrscht hohe Luftfeuchtigkeit; dies ist je nach Wetterlage völlig normal. Die Kondensation verschwindet, sobald die Feuchtigkeit abnimmt.

#### Unangenehmer Geruch im Kühlschrank.

- Der Kühlschrank wurde nicht regelmäßig gereinigt. >>> Reinigen Sie das Innere des Kühlschranks regelmäßig mit einem Schwamm, den Sie mit lauwarmem Wasser oder einer Natron-Wasser-Lösung angefeuchtet haben.
- Bestimmte Behälter oder Verpackungsmaterialien verursachen den Geruch. >>> Verwenden Sie andere Behälter oder Verpackungsmaterial einer anderen Marke.
- Lebensmittel wurden in offenen Behältern in den Kühlschrank gegeben. >>> Lagern Sie Lebensmittel in geschlossenen Behältern. Mikroorganismen, die aus unverschlossenen Behältern entweichen, können üble Gerüche verursachen.
- Nehmen Sie Lebensmittel mit abgelaufenem Mindesthaltbarkeitsdatum sowie verdorbene Lebensmittel aus dem Kühlschrank.

#### Die Tür lässt sich nicht schließen.

- Lebensmittelpackungen verhindern ein vollständiges Schließen der Tür. >>> Entfernen Sie die Verpackungen, welche die Tür blockieren.
- Der Kühlschrank steht nicht vollständig eben auf dem Boden. >>> Gleichen Sie den Kühlschrank mit Hilfe der Füße aus.
- Der Boden ist nicht eben oder nicht stabil genug. >>> Achten Sie darauf, dass der Boden eben ist und das Gewicht des Kühlschranks problemlos tragen kann.

#### Das Gemüsefach klemmt.

- Lebensmittel berühren eventuell den oberen Teil der Schublade. >>> Ordnen Sie die Lebensmittel in der Schublade anders an.

## **Veillez commencer par lire ce manuel d'utilisation!**

Cher client,

Nous espérons que votre produit, qui a été fabriqué dans des usines modernes et vérifié au terme des procédures de contrôle de qualité les plus méticuleuses, vous donnera entière satisfaction.

Veillez donc lire attentivement l'intégralité de ce manuel avant de commencer à utiliser le produit et conservez-le manuel comme référence. Si vous remettez cet appareil à quelqu'un d'autre, remettez-lui également le manuel d'utilisation.

## **Le présent manuel vous aidera à utiliser votre produit en toute sécurité et efficacement.**

- Lisez le manuel avant d'installer et de faire fonctionner votre produit.
- Veillez à lire les instructions de sécurité.
- Conservez ce manuel dans un endroit facilement accessible car vous pourriez en avoir besoin ultérieurement.
- Lisez également la documentation fournie avec le produit.

N'oubliez pas que le manuel d'utilisation est également valable pour plusieurs autres modèles. Les différences entre les différents modèles seront identifiées dans le manuel.

## **Explication des symboles**

### **Les symboles ci-dessous sont utilisés dans le manuel d'utilisation:**

 Informations importantes ou astuces.

 Avertissement relatif aux situations dangereuses pour la vie et la propriété.

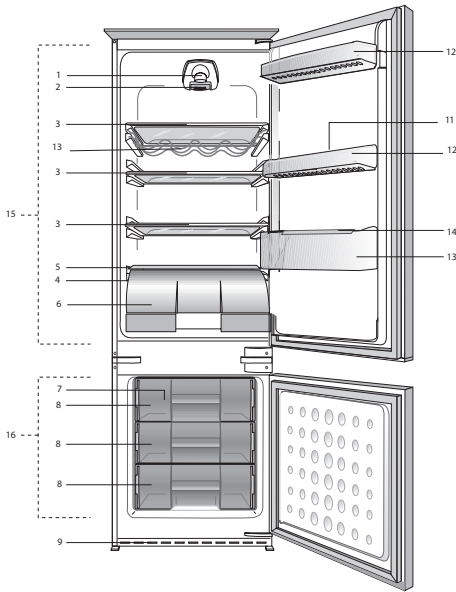
 Avertissement relatif à la tension électrique.

## TABLE DES MATIÈRES

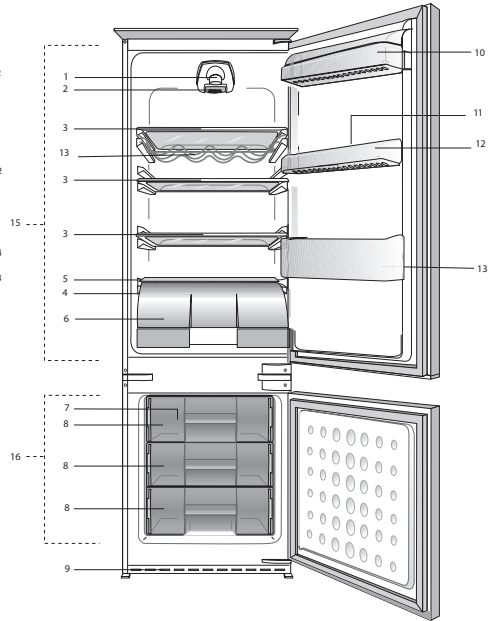
---

<b>1 Votre réfrigérateur</b>	<b>3</b>	<b>4 Préparation</b>	<b>14</b>
<b>2 Précautions de sécurité importantes</b>	<b>4</b>	<b>5 Utilisation de votre réfrigérateur</b>	<b>15</b>
Utilisation préconisée.....	4	Manette de réglage de la température.....	15
Sécurité générale.....	4	Décongélation .....	15
Pour les appareils dotés d'une fontaine à eau ;.....	6	Compartment basse température	16
Sécurité enfants.....	6	<b>6 Entretien et nettoyage</b>	<b>17</b>
Conformité avec la réglementation DEEE et mise au rebut des déchets	6	Protection des surfaces en plastique. ....	17
Informations relatives à l'emballage.	7	<b>7 Dépannage</b>	<b>18</b>
Avertissement HCA .....	7		
Mesures d'économie d'énergie.....	8		
<b>3 Installation</b>	<b>9</b>		
Éléments à prendre en considération lors du déménagement de votre réfrigérateur .....	9		
Avant de mettre votre réfrigérateur en marche, .....	9		
Branchement électrique.....	9		
Mise au rebut de l'emballage .....	10		
Mise au rebut de votre ancien réfrigérateur .....	10		
Disposition et Installation .....	10		
Remplacement de l'ampoule intérieure .....	11		
Réversibilité des portes.....	12		
Réversibilité des portes.....	13		

# 1 Votre réfrigérateur



CBI 7771  
CBI 7771 F



CBI 7770

1. Commande du thermostat
2. Éclairage intérieur
3. Clayettes réglables
4. Voie de récupération de l'eau de dégivrage - Tube d'écoulement
5. Couverture du bac à légumes
6. Compartiment 0 °C
7. Bac à glaçons
8. Compartiment congélateur
9. Grille d'aération
10. Compartiment produits laitiers
11. Casier à œufs
12. Balconnets réglables
13. Clayette range-bouteilles
14. Range-bouteilles
15. Compartiment réfrigérateur
16. Compartiment congélateur

**i** Les illustrations présentées dans cette notice d'utilisation sont schématiques et peuvent ne pas correspondre exactement à votre produit. Si des pièces présentées ne sont pas comprises dans le produit que vous avez acheté, elles sont valables pour d'autres modèles.

## 2 Précautions de sécurité importantes

Veillez examiner les informations suivantes : Le non respect de ces consignes peut entraîner des blessures ou dommages matériels. Sinon, tout engagement lié à la garantie et à la fiabilité du produit devient invalide. Les pièces détachées d'origine sont disponibles pendant 10 ans, à compter de la date d'achat du produit.

### Utilisation préconisée

Ce produit est prévu pour une utilisation

- en intérieur et dans des zones fermées telles que les maisons ;
- dans les environnements de travail fermés, tels que les magasins et les bureaux ;
- dans les lieux d'hébergement fermés, tels que les fermes, hôtels, pensions.
- Il ne doit pas être utilisé en extérieur.

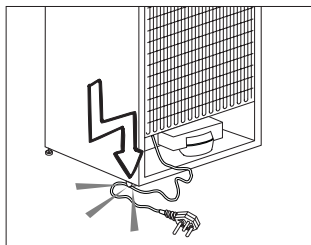
### Sécurité générale

- Avant de vous débarrasser de votre appareil, veuillez consulter les autorités locales ou votre revendeur pour connaître le mode opératoire et les organismes de collecte agréés.
- Consultez le service après-vente agréé concernant toutes questions ou problèmes relatifs au réfrigérateur. N'intervenez pas ou ne laissez personne intervenir sur le réfrigérateur sans le communiquer au service après-vente agréé.
- Pour les produits équipés d'un compartiment congélateur : ne mangez pas de cônes de crème glacée ou des glaçons immédiatement après les avoir sortis du compartiment de congélation !

(Cela pourrait provoquer des engelures dans votre bouche).

- Pour les produits équipés d'un compartiment congélateur : ne placez pas de boissons en bouteille ou en cannette dans le compartiment de congélation. Cela peut entraîner leur éclatement.
- Ne touchez pas des produits congelés avec les mains, ils pourraient se coller à celles-ci.
- Débranchez votre réfrigérateur avant de le nettoyer ou de le dégivrer.
- La vapeur et des matériaux de nettoyage pulvérisés ne doivent jamais être utilisés pour les processus de nettoyage ou de dégivrage de votre réfrigérateur. La vapeur pourrait pénétrer dans les pièces électriques et provoquer des courts-circuits ou des électrocutions.
- Ne jamais utiliser les pièces de votre réfrigérateur telles que la porte, comme un support ou une marche.
- N'utilisez pas d'appareils électriques à l'intérieur du réfrigérateur.
- N'endommagez pas les pièces où circule le liquide réfrigérant avec des outils de forage ou coupants. Le liquide réfrigérant qui pourrait s'échapper si les canalisations de gaz de l'évaporateur, les rallonges de tuyau ou les revêtements de surface étaient percés, peut irriter la peau et provoquer des blessures aux yeux.
- Ne pas couvrir ou obstruer les orifices de ventilation du réfrigérateur.
- Les appareils électriques peuvent être réparés seulement par des personnes autorisées. Les réparations réalisées par des personnes ne présentant pas les compétences requises peuvent

- présenter un risque pour l'utilisateur.
- En cas de dysfonctionnement ou lors d'opérations d'entretien ou de réparation, débranchez l'alimentation électrique du réfrigérateur soit en désactivant le fusible correspondant, soit en débranchant l'appareil.
  - Ne tirez pas sur le câble lorsque vous débranchez la prise.
  - Placez les boissons alcoolisées verticalement, dans des récipients convenablement fermés.
  - Ne conservez jamais des aérosols contenant des substances inflammables et explosives dans le réfrigérateur.
  - N'utilisez pas d'outils mécaniques ou autres dispositifs pour accélérer le processus de décongélation autres que ceux qui sont recommandés par le fabricant.
  - Ce produit n'est pas conçu pour être utilisé par des personnes (enfants compris) souffrant de déficience physique, sensorielle, mentale, ou inexpérimentées, à moins d'avoir obtenu une autorisation auprès des personnes responsables de leur sécurité.
  - Ne faites pas fonctionner un réfrigérateur endommagé. Consultez le service agréé en cas de problème.
  - La sécurité électrique du réfrigérateur n'est assurée que si le système de mise à la terre de votre domicile est conforme aux normes en vigueur.
  - L'exposition du produit à la pluie, la neige, au soleil ou au vent présente des risques concernant la sécurité électrique.
  - Contactez le service agréé quand un câble d'alimentation est endommagé pour éviter tout danger.
- Ne branchez jamais le réfrigérateur à la prise murale au cours de l'installation. Vous vous exposeriez à un risque de mort ou à de blessures graves.
  - Ce réfrigérateur est conçu seulement pour conserver des aliments. Par conséquent, il ne doit pas être utilisé à d'autres fins.
  - L'étiquette avec les caractéristiques techniques est située sur le mur gauche à l'intérieur du réfrigérateur.
  - Ne branchez jamais votre réfrigérateur à des systèmes d'économie d'énergie, cela peut l'endommager.
  - S'il y a une lumière bleue sur le réfrigérateur, ne la regardez pas avec des outils optiques.
  - Pour les réfrigérateurs contrôlés manuellement, attendez au moins 5 minutes pour allumer le réfrigérateur après une coupure de courant.
  - Si cet appareil venait à changer de propriétaire, n'oubliez pas de remettre la présente notice d'utilisation au nouveau bénéficiaire.
  - Évitez d'endommager le câble d'alimentation quand vous transportez le réfrigérateur. Tordre le câble peut entraîner un incendie. Ne placez jamais d'objets lourds sur le câble d'alimentation.
  - Évitez de toucher à la prise avec des mains mouillées au moment de brancher l'appareil.





- Évitez de brancher le réfrigérateur lorsque la prise de courant électrique a lâché.
- Pour des raisons de sécurité, évitez de pulvériser directement de l'eau sur les parties externes et internes du réfrigérateur.
- Ne pulvérisez pas de substances contenant des gaz inflammables comme du propane près du réfrigérateur pour éviter tout risque d'incendie et d'explosion.
- Ne placez jamais de récipients contenant de l'eau sur votre réfrigérateur, ils pourraient causer des chocs électriques ou un incendie.
- Évitez de surcharger le réfrigérateur avec une quantité excessive d'aliments. S'il est surchargé, les aliments peuvent tomber, vous blesser et endommager le réfrigérateur quand vous ouvrez la porte.
- Ne placez jamais d'objets au-dessus du réfrigérateur, ils pourraient tomber quand vous ouvrez ou fermez la porte du réfrigérateur.
- Les produits qui nécessitent un contrôle de température précis (vaccin, médicament sensible à la chaleur, matériels scientifiques, etc.) ne doivent pas être conservés dans le réfrigérateur.
- Si le réfrigérateur n'est pas utilisé pendant longtemps, il doit être débranché. Un problème avec le câble d'alimentation pourrait causer un incendie.
- Le bout de la prise électrique doit être nettoyé régulièrement à l'aide d'un chiffon sec, sinon il peut provoquer un incendie.

- Le réfrigérateur peut bouger si ses pieds réglables ne sont pas bien fixés sur le sol. Bien fixer les pieds réglables sur le sol peut empêcher le réfrigérateur de bouger.
- Quand vous transportez le réfrigérateur, ne le tenez pas par la poignée de la porte. Cela peut le casser.
- Quand vous devez placer votre produit près d'un autre réfrigérateur ou congélateur, la distance entre les appareils doit être d'au moins 8 cm. Sinon, les murs adjacents peuvent être humidifiés.

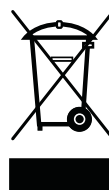
### **Pour les appareils dotés d'une fontaine à eau ;**

La pression de l'alimentation en eau doit être comprise entre 1 et 8 bars.

- Utilisez uniquement de l'eau potable.
- ### **Sécurité enfants**
- Si la porte a un verrouillage, la clé doit rester hors de portée des enfants.
  - Les enfants doivent être surveillés et empêchés de s'amuser avec le produit.

### **Conformité avec la réglementation DEEE et mise au rebut des déchets**

Ce produit ne contient pas de matériaux dangereux et interdits décrits dans la « Règlementation sur le contrôle des déchets d'équipements électriques et électroniques » publié par le Ministère de l'Environnement et de l'Urbanisme. Conforme avec la réglementation DEEE.



Le présent produit a été fabriqué avec des pièces et du matériel de qualité supérieure susceptibles d'être réutilisés et adaptés au recyclage. Par

conséquent, nous vous conseillons de ne pas le mettre au rebut aux côtés des ordures ménagères à la fin de sa durée de vie. Au contraire, rendez-vous dans un point de collecte pour le recyclage de tout matériel électrique et électronique. Veuillez vous rapprocher des autorités de votre localité pour plus d'informations concernant le point de collecte le plus proche. Aidez-nous à protéger l'environnement et les ressources naturelles en recyclant les produits usagés. Pour la sécurité des enfants, coupez le câble d'alimentation et le mécanisme de verrouillage de la porte, le cas échéant. Ce faisant, vous rendez l'appareil inopérant avant sa mise au rebut.

### **Informations relatives à l'emballage**

Les matériaux d'emballage de cet appareil sont fabriqués à partir de matériaux recyclables, conformément à nos Réglementations Nationales en Environnement. Ne mélangez pas les matériaux d'emballage avec les déchets domestiques ou d'autres déchets. Amenez-les aux points de collecte des matériaux d'emballage, désignés par les autorités locales.

### **N'oubliez pas...**

Pour la préservation de la nature et de notre santé, il est indispensable de recycler les matières.

Si vous voulez contribuer au recyclage des matériaux d'emballage, vous pouvez vous renseigner auprès d'organisations environnementales ou de l'autorité locale proche de votre domicile.

### **Avertissement HCA**

#### **Si le système de refroidissement de votre appareil contient R600a :**

Ce gaz est inflammable. Par conséquent, veuillez prendre garde à ne pas endommager le système de refroidissement et les tuyauteries lors de son utilisation ou de son transport. En cas de dommages, éloignez votre produit de toute source potentielle de flammes susceptible de provoquer l'incendie de l'appareil. De même, placez le produit dans une pièce aérée.

#### **Ne tenez pas compte de cet avertissement si le système de refroidissement de votre appareil contient R134a.**

Le type de gaz utilisé dans l'appareil est mentionné sur la plaque signalétique située sur la paroi gauche de l'intérieur du réfrigérateur.

Ne jetez jamais l'appareil au feu pour vous en débarrasser.

## Mesures d'économie d'énergie

- Ne laissez pas les portes du réfrigérateur ouvertes pendant une durée prolongée.
- N'introduisez pas de denrées ou de boissons chaudes dans le réfrigérateur.
- Ne surchargez pas le réfrigérateur pour ne pas obstruer pas la circulation d'air à l'intérieur.
- N'installez pas le réfrigérateur à la lumière directe du soleil ou près d'appareil émettant de la chaleur tels qu'un four, un lave-vaisselle ou un radiateur. Maintenez une distance d'au moins 30 cm entre votre réfrigérateur et toute source de chaleur, et à une distance de 5cm d'un four électrique.
- Veillez à conserver vos denrées dans des récipients fermés.
- Pour les produits équipés d'un compartiment congélateur : vous pouvez conserver une quantité maximale d'aliments dans le congélateur quand vous enlevez l'étagère ou le tiroir du congélateur. La consommation d'énergie précisée pour votre réfrigérateur a été déterminée en enlevant l'étagère ou le tiroir du congélateur et avec la charge maximale. Il n'y aucun risque à utiliser une étagère ou un tiroir en fonction des formes et tailles des denrées à congeler.
- La décongélation des aliments dans le compartiment réfrigérateur permet de faire des économies d'énergie et de préserver la qualité des aliments.

## 3 Installation

⚠ Dans l'hypothèse ou l'information contenue dans ce manuel n'a pas été prise en compte par l'utilisateur, le fabricant ne sera aucunement responsable en cas de problèmes.

### Éléments à prendre en considération lors du déménagement de votre réfrigérateur

1. Votre réfrigérateur doit être débranché
2. Avant le transport de votre réfrigérateur, vous devez le vider et le nettoyer. Avant d'emballer votre réfrigérateur, vous devez fixer ses étagères, bac, accessoires, etc, avec du ruban adhésif afin de les protéger contre les chocs.
3. L'emballage doit être solidement attaché avec du ruban adhésif épais ou avec un cordage solide. La réglementation en matière de transport et de marquage de l'emballage doit être strictement respectée.
4. L'emballage et les matériaux de protection d'emballage doivent être conservés pour les éventuels transports ou déplacements à venir.

### Avant de mettre votre réfrigérateur en marche,

Vérifiez les points suivants avant de commencer à utiliser votre réfrigérateur

1. Fixez les câles en plastique tel qu'indiqué sur le schéma ci-dessous. Les câles en plastique servent à maintenir une distance permettant la circulation de l'air entre le réfrigérateur et le mur. (Cette image n'est donnée qu'à titre indicatif ; elle n'est pas identique à votre produit.)

2. Vous pouvez installer les 2 cales en plastique comme illustré dans le schéma. Les cales en plastique maintiendront la distance nécessaire entre votre Congélateur / réfrigérateur et le mur pour permettre une bonne circulation de l'air. (Le schéma présenté est fourni à titre indicatif et peut ne pas correspondre exactement avec votre produit.)
3. Nettoyez l'intérieur du réfrigérateur tel qu'indiqué dans la section « Entretien et nettoyage ».
4. Insérez la prise du réfrigérateur dans la prise murale. Lorsque la porte du réfrigérateur est ouverte, la lampe interne du réfrigérateur s'éclaire.
5. Lorsque le compresseur commence à fonctionner, il émettra un son. Le liquide et les gaz intégrés au système du réfrigérateur peuvent également faire du bruit, que le compresseur soit en marche ou non. Ceci est tout à fait normal.
6. Les parties antérieures du réfrigérateur peuvent chauffer. Ce phénomène est normal. Ces zones doivent en principe être chaudes pour éviter tout risque de condensation.

### Branchement électrique

Branchez votre réfrigérateur à une prise électrique protégée par un fusible ayant une capacité appropriée.

Important :

- Le branchement doit être conforme aux normes en vigueur sur le territoire national.
- La fiche du câble d'alimentation doit être facilement accessible après installation.

- La sécurité électrique du réfrigérateur n'est assurée que si le système de mise à la terre de votre domicile est conforme aux normes en vigueur.
- La tension indiquée sur l'étiquette située sur la paroi gauche interne de votre produit doit correspondre à celle fournie par votre réseau électrique.
- **Les rallonges et prises multivoies ne doivent pas être utilisés pour brancher l'appareil.**

⚠ Un câble d'alimentation endommagé doit être remplacé par un électricien qualifié.

⚠ L'appareil ne doit pas être mis en service avant d'être réparé ! Cette précaution permet d'éviter tout risque de choc électrique!

### **Mise au rebut de l'emballage**

Les matériaux d'emballage peuvent être dangereux pour les enfants. Tenez les matériaux d'emballage hors de portée des enfants ou jetez-les conformément aux consignes établies par les autorités locales en matière de déchets. Ne les jetez pas avec les déchets domestiques, déposez-les dans les centres de collecte désignés par les autorités locales.

L'emballage de votre appareil est produit à partir de matériaux recyclables.

### **Mise au rebut de votre ancien réfrigérateur**

Débarrassez-vous de votre ancien réfrigérateur sans nuire à l'environnement.

- Vous pouvez consulter le service après-vente agréé ou le centre chargé de la mise au rebut dans votre municipalité pour en savoir plus sur la mise au rebut de votre produit.

Avant de procéder à la mise au rebut de votre machine, coupez la prise électrique et, le cas échéant, tout verrouillage susceptible de se trouver sur la porte. Rendez-les inopérants afin de ne pas exposer les enfants à d'éventuels dangers.

### **Disposition et Installation**

⚠ Si la porte d'entrée de la pièce où sera installé le réfrigérateur n'est pas assez large pour laisser passer le réfrigérateur, appelez le service après-vente qui retirera les portes du réfrigérateur et le fera entrer latéralement dans la pièce.

1. Installez le réfrigérateur dans un emplacement qui permette une utilisation pratique.
2. Maintenez le réfrigérateur éloigné de toutes sources de chaleur, des endroits humides et de la lumière directe du soleil.
3. Une ventilation d'air autour du réfrigérateur doit être aménagée pour obtenir un fonctionnement efficace. Si le réfrigérateur est placé dans un enfoncement du mur, il doit y avoir un espace d'au moins 5 cm avec le plafond et d'au moins 5 cm avec le mur. Ne placez pas l'appareil sur des revêtements tels qu'un tapis ou de la moquette.
4. Placez le réfrigérateur sur une surface plane afin d'éviter les à-coups.

## **Remplacement de l'ampoule intérieure**

Per cambiare lampadina/LED utilizzati per illuminare il frigorifero, rivolgersi al Servizio Assistenza Autorizzato.

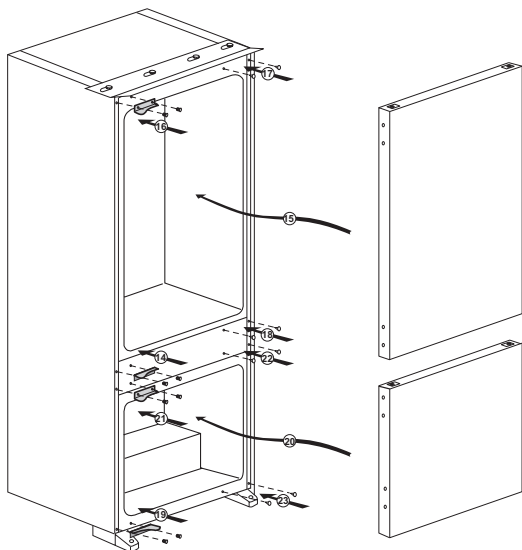
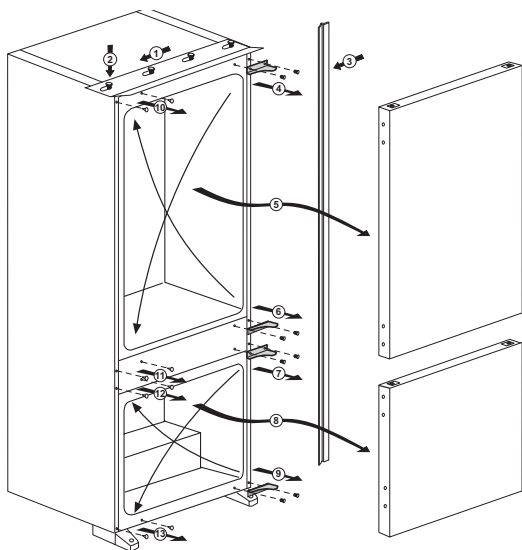
La lampada (le lampade) usata (usate) nell'apparecchiatura non è (sono) adatta (adatte) per l'illuminazione domestica.

L'obiettivo previsto per questa lampada è quello di assistere l'utente in fase di posizionamento degli alimenti all'interno del frigorifero / congelatore in modo sicuro e comodo.

Le lampadine utilizzate in questo apparecchio devono sopportare condizioni fisiche estreme come temperature inferiori a -20°C.

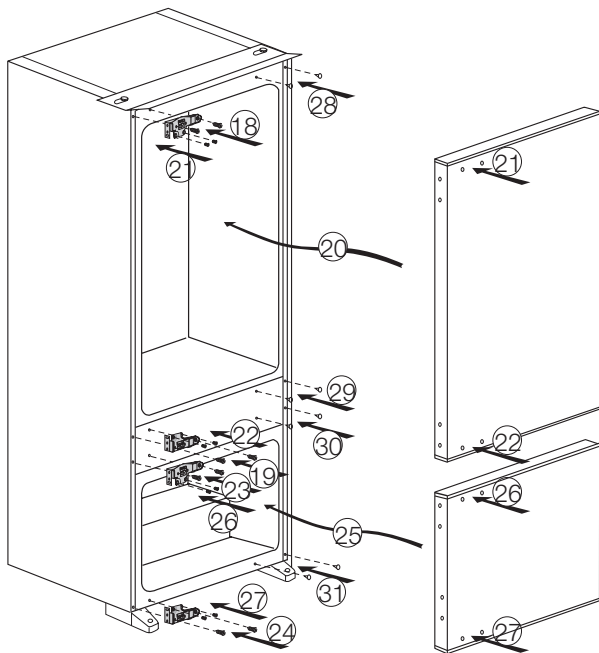
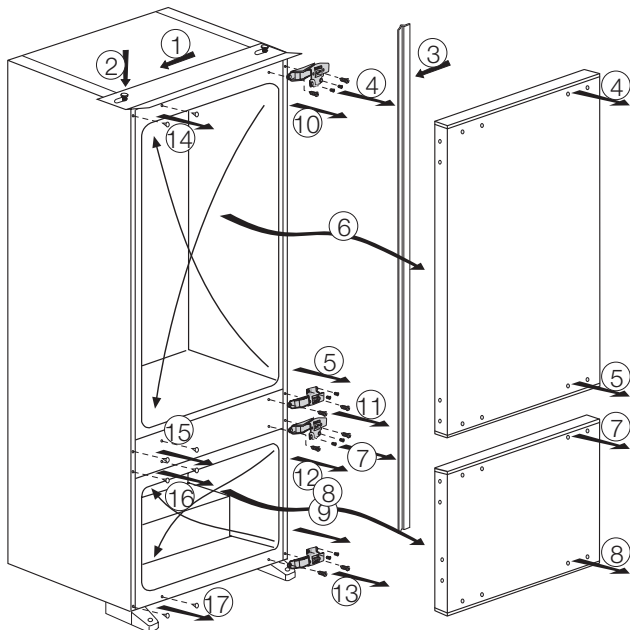
## Réversibilité des portes

Procédez dans l'ordre numérique



# Réversibilité des portes

Procédez dans l'ordre numérique



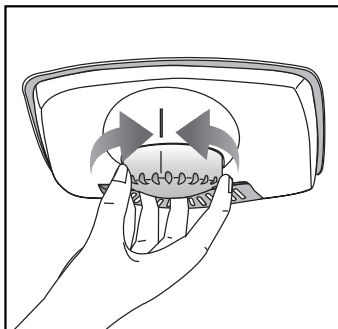


## 4 Préparation

---

- Votre congélateur / réfrigérateur doit être installé à au moins 30 cm des sources de chaleur telles que les plaques de cuisson, les fours, appareils de chauffage ou cuisinières, et à au moins 5 cm des fours électriques. De même, il ne doit pas être exposé à la lumière directe du soleil.
- Veuillez vous assurer que l'intérieur de votre appareil est soigneusement nettoyé.
- La température ambiante de la pièce où vous installez le congélateur / réfrigérateur doit être d'au moins 10°C. Faire fonctionner l'appareil sous des températures inférieures n'est pas recommandé et pourrait nuire à son efficacité.
- Si deux congélateur / réfrigérateurs sont installés côte à côte, ils doivent être séparés par au moins 2 cm.
- Lorsque vous faites fonctionner le congélateur / réfrigérateur pour la première fois, assurez-vous de suivre les instructions suivantes pendant les six premières heures.
- La porte ne doit pas être ouverte fréquemment.
- Le congélateur / réfrigérateur doit fonctionner à vide, sans denrées à l'intérieur.
- Ne débranchez pas le congélateur / réfrigérateur. Si une panne de courant se produit, veuillez vous reporter aux avertissements dans la section « Solutions recommandées aux problèmes ».
- L'emballage et les matériaux de protection d'emballage doivent être conservés pour les éventuels transports ou déplacements à venir.

## 5 Utilisation de votre réfrigérateur



### Manette de réglage de la température

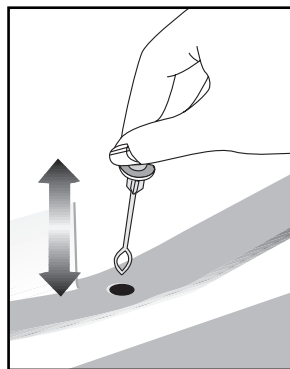
La température intérieure de votre réfrigérateur change pour les raisons suivantes :

- Températures saisonnières,
- Ouverture fréquente de la porte et porte laissée ouverte pendant de longues périodes,
- Denrées introduites dans le réfrigérateur sans réduction à la température ambiante.
- Emplacement du réfrigérateur dans la pièce (par ex. exposition à la lumière directe du soleil)
- Vous pouvez régler la manette de réglage des différentes températures intérieures dues à de telles raisons en utilisant le thermostat. Les numéros entourant le bouton indiquent le niveau de refroidissement.
- Si la température ambiante (de la pièce ou du garage) est comprise entre 0 °C et -15 °C, nous vous conseillons d'ajuster le bouton au réglage 4 afin d'atteindre -18 °C de température dans le compartiment congélateur. Vous pouvez obtenir des températures plus basses en ajustant la manette de réglage en direction de la Position max.

• Vous pouvez conserver le maximum d'aliments congelés sans recourir au couvercle de l'étagère supérieure situé dans le compartiment du congélateur. La consommation énergétique de votre appareil est enclenchée alors que le compartiment du congélateur est entièrement chargé sans l'utilisation du couvercle de l'étagère supérieure.

### Décongélation Compartiment réfrigérateur

Le compartiment réfrigérateur se dégivre automatiquement. De l'eau s'écoule et une couche de givre pouvant atteindre 7-8 mm peut se former sur la paroi arrière interne du compartiment du réfrigérateur pendant le processus de refroidissement. Cette formation est normale, provoquée par le système de refroidissement. La formation de givre peut être supprimée par le dégivrage automatique qui s'active régulièrement grâce au système de dégivrage de la paroi arrière. L'utilisateur n'a pas besoin d'éliminer le givre ou les gouttes d'eau manuellement.

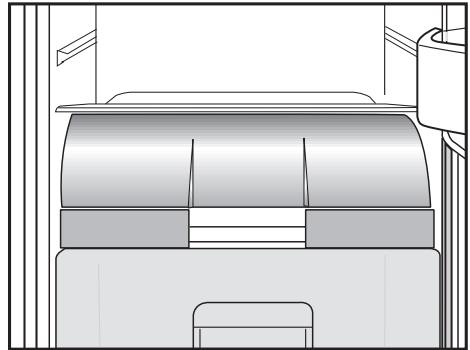


L'eau générée par le dégivrage s'écoule dans la rainure de collecte de l'eau et passe dans l'évaporateur par le tuyau de vidange où elle s'évapore. Vérifiez régulièrement le tuyau de vidange pour vous assurer qu'il n'est pas obstrué et débouchez-le en introduisant un bâton dans le trou si nécessaire.

Le compartiment congélateur se dégivre automatiquement.

## Compartiment basse température

Ce compartiment a été conçu pour conserver des denrées à décongeler lentement (viande, poisson, poulet, etc.) si nécessaire. Le compartiment basse température est l'endroit le plus froid de votre réfrigérateur / congélateur dans lequel les produits laitiers (fromage, beurre), la viande, le poisson, ou le poulet peuvent être conservés dans des conditions idéales. Les légumes et/ou fruits ne doivent pas être introduits dans ce compartiment.



## 6 Entretien et nettoyage

---

- ⚠ N'utilisez jamais d'essence, de benzène ou de matériaux similaires pour le nettoyage.
- ⚠ Nous vous recommandons de débrancher l'appareil avant de procéder au nettoyage.
- ℹ N'utilisez jamais d'ustensiles tranchants, savon, produit de nettoyage domestique, détergent et cirage pour le nettoyage.
- ℹ Utilisez de l'eau tiède pour nettoyer la carrosserie du congélateur / réfrigérateur et séchez-la soigneusement à l'aide d'un chiffon.
- ℹ Utilisez un chiffon humide imbibé d'une solution composée d'une cuillère à café de bicarbonate de soude pour un demi litre d'eau pour nettoyer l'intérieur et séchez soigneusement.
- ⚠ Prenez soin de ne pas faire couler d'eau dans le logement de la lampe et dans d'autres éléments électriques.
- ⚠ En cas de non utilisation de votre congélateur / réfrigérateur pendant une période prolongée, débranchez le câble d'alimentation, sortez toutes les denrées, nettoyez-le et laissez la porte entrouverte.
- ℹ Inspectez les joints de porte régulièrement pour vérifier qu'ils sont propres et qu'il n'y a pas de résidus de nourriture.

- ℹ Pour retirer les balconnets de portes, sortez tout son contenu puis poussez simplement le balconnet vers le haut à partir de la base.
- ℹ Ne jamais utiliser des produits nettoyants ou de l'eau contenant du chlore pour le nettoyage des surfaces externes et des pièces chromées du produit. Le chlore entraîne la corrosion de ces surfaces métalliques.

### Protection des surfaces en plastique.

- Ne placez pas d'huiles ou de plats huileux dans le congélateur / réfrigérateur dans des récipients non fermés, car les graisses peuvent endommager les surfaces en plastique du congélateur / réfrigérateur. Si vous versez ou éclaboussez de l'huile sur les surfaces en plastique, nettoyez et lavez les parties souillées avec de l'eau chaude immédiatement.

## 7 Dépannage

Veillez vérifier la liste suivante avant d'appeler le service après-vente. Cela peut vous faire économiser du temps et de l'argent. Cette liste regroupe les problèmes les plus fréquents ne provenant pas d'un défaut de fabrication ou d'utilisation du matériel. Il se peut que certaines des fonctions décrites ne soient pas présentes sur votre produit.

### Le réfrigérateur ne fonctionne pas.

- La fiche n'est pas insérée correctement dans la prise. >>>Insérez correctement la fiche dans la prise.
- Est-ce que le fusible ou la douille de raccord du réfrigérateur sont connectés ou est-ce que le fusible principal a sauté ? >>>Vérifiez le fusible.

### Condensation sur la paroi intérieure du compartiment réfrigérateur. (MULTIZONE, COOL CONTROL et FLEXI ZONE).

- La température ambiante est très froide. >>>N'installez pas le réfrigérateur dans des endroits où la température peut être inférieure à 10 °C.
- La porte a été ouverte souvent. >>>Évitez d'ouvrir et de fermer trop fréquemment la porte du réfrigérateur.
- L'environnement est très humide. >>>N'installez pas votre réfrigérateur dans des endroits très humides.
- La nourriture contenant du liquide est conservée dans des récipients ouverts. >>>Ne conservez pas de la nourriture contenant du liquide dans des récipients ouverts.
- La porte du réfrigérateur est laissée entrouverte. >>>Fermez la porte du réfrigérateur.
- Le thermostat est réglé à un niveau très froid. >>>Réglez le thermostat à un niveau adapté.

### Le compresseur ne fonctionne pas.

- Le dispositif de protection thermique du compresseur sautera en cas de coupures soudaines du courant ou de débranchement intempestif, en effet la pression du liquide réfrigérant du système de refroidissement ne sera pas équilibrée. Le réfrigérateur recommencera à fonctionner normalement après 6 minutes environ. Veuillez contacter le service après-vente si le réfrigérateur ne redémarre pas après cette période.
- Le réfrigérateur est en mode de dégivrage. >>>Cela est normal pour un réfrigérateur à dégivrage semi-automatique. Le cycle de dégivrage se déclenche régulièrement.
- Le réfrigérateur n'est pas branché à la prise. >>>Assurez-vous que la prise est branchée dans la prise murale.
- Les réglages de température ne sont pas effectués correctement. >>>Sélectionnez la température appropriée.
- Il y a une panne de courant. >>>Le réfrigérateur recommence à fonctionner normalement après le retour du courant.

Le niveau sonore augmente lorsque le réfrigérateur est en marche.

- Les caractéristiques de performance du réfrigérateur peuvent changer en raison des variations de la température ambiante. Cela est normal et n'est pas un défaut.

Le réfrigérateur fonctionne fréquemment ou pendant de longues périodes.

- Votre nouveau réfrigérateur est peut être plus large que l'ancien. Les grands réfrigérateurs durent plus longtemps.
- La température de la pièce est probablement élevée. >>>Il est normal que l'appareil fonctionne plus longtemps quand la température ambiante est élevée.
- Le réfrigérateur pourrait y avoir été branché tout récemment ou pourrait avoir été chargé de denrées alimentaires. >>>Quand le réfrigérateur a été branché ou récemment rempli avec de la nourriture, il met plus de temps à atteindre la température réglée. Ce phénomène est normal.
- D'importantes quantités de denrées chaudes ont peut être été introduites dans le réfrigérateur récemment. >>>Ne mettez pas de nourriture chaude dans le réfrigérateur.
- Les portes ont peut être été ouvertes fréquemment ou laissées entrouvertes pendant une durée prolongée. >>>L'air chaud qui entre dans l'appareil oblige le réfrigérateur à travailler sur de plus longues périodes. N'ouvrez pas les portes fréquemment.
- La porte du congélateur ou du réfrigérateur est probablement entrouverte. >>>Vérifiez que les portes sont bien fermées.
- Le réfrigérateur est réglé à une température très basse. >>>Réglez la température du réfrigérateur à un degré supérieur et attendez que la température réglée soit atteinte.
- Le joint de la porte du réfrigérateur ou du congélateur peut être sale, déchiré, rompu ou mal en place. >>>Nettoyez ou remplacez le joint. Tout joint endommagé/déchiré fait fonctionner le réfrigérateur pendant une période de temps plus longue afin de conserver la température actuelle.

La température du congélateur est très basse alors que celle du réfrigérateur est correcte.

- La température du congélateur est réglée à une température très basse. >>>Réglez la température du congélateur à un degré supérieur et vérifiez.

La température du réfrigérateur est très basse alors que celle du congélateur est correcte.

- La température du réfrigérateur est réglée à une température très basse. >>>Réglez la température du réfrigérateur à un degré supérieur et vérifiez.

Les denrées conservées dans les tiroirs du compartiment de réfrigération sont congelées.

- La température du réfrigérateur est réglée à une température très basse. >>>Réglez la température du réfrigérateur à un niveau inférieur et vérifiez.

La température dans le réfrigérateur ou le congélateur est très élevée.

- La température du réfrigérateur est réglée à une température très basse. >>>Le réglage du compartiment réfrigérant a un effet sur la température du congélateur. Changez les températures du réfrigérateur ou du congélateur et attendez que les compartiments atteignent une température suffisante.
- Les portes ont peut être été ouvertes fréquemment ou laissées entrouvertes pendant une durée prolongée. >>>N'ouvrez pas les portes fréquemment.
- La porte est entrouverte. >>>Refermez complètement la porte.
- Le réfrigérateur a été récemment branché ou rempli avec de la nourriture. >>>Ce phénomène est normal. Lorsque le réfrigérateur vient d'être branché ou récemment rempli avec de la nourriture, il met plus de temps à atteindre la température réglée.
- D'importantes quantités de denrées chaudes ont peut être été introduites dans le réfrigérateur récemment. >>>Ne mettez pas de nourriture chaude dans le réfrigérateur.

• Vibrations ou bruits

- Le sol n'est pas plat ou stable. >>>Si le réfrigérateur balance lorsqu'il est déplacé lentement, équilibrez-le en ajustant sa base. Assurez-vous que le sol est plat et suffisamment solide pour supporter le poids et le volume de l'appareil.
- Les éléments placés sur le réfrigérateur peuvent faire du bruit. >>>Enlevez les éléments du haut du réfrigérateur.

Le réfrigérateur produit des bruits semblables à de l'eau qui coule, à la pulvérisation d'un liquide, etc.

- Des écoulements de gaz et de liquides surviennent dans le réfrigérateur, de par ses principes de fonctionnement. Cela est normal et n'est pas un défaut.

Un sifflement sort du réfrigérateur.

- Les ventilateurs sont utilisés pour refroidir le réfrigérateur. Cela est normal et n'est pas un défaut.

#### Condensation sur les parois intérieures du réfrigérateur.

- Un temps chaud et humide augmente la formation de givre et de condensation. Cela est normal et n'est pas un défaut.
- Les portes ont peut être été ouvertes fréquemment ou laissées entrouvertes pendant une durée prolongée. >>>N'ouvrez pas les portes fréquemment. Refermez-les si elles sont ouvertes.
- La porte est entrouverte. >>>Refermez complètement la porte.

#### De l'humidité est présente à l'extérieur ou entre les portes du réfrigérateur.

- Il y a peut être de l'humidité dans l'air; ceci est tout à fait normal par un temps humide. Lorsque l'humidité est faible, la condensation disparaîtra.

#### Présence d'une mauvaise odeur dans le réfrigérateur.

- Il n'y a pas de nettoyage régulier effectué. >>>Nettoyez régulièrement l'intérieur du réfrigérateur avec une éponge, de l'eau tiède ou du carbonate dissout dans l'eau.
- Certains récipients ou matériaux d'emballage peuvent provoquer ces odeurs. >>>Utilisez un autre récipient ou changez de marque de matériau d'emballage.
- Les denrées sont mises au réfrigérateur dans des récipients sans couvercle. >>>Conservez les aliments liquides dans des récipients fermés. Les micro-organismes issus de récipients non fermés peuvent dégager des odeurs désagréables.
- Enlevez les aliments périmés et pourris du réfrigérateur.

#### La porte ne se ferme pas.

- Des récipients empêchent la fermeture de la porte. >>>Retirez les emballages qui obstruent la porte.
- Le réfrigérateur n'est pas complètement vertical sur le sol. >>>Ajustez les pieds du réfrigérateur pour l'équilibrer.
- Le sol n'est pas plat ou solide. >>>Assurez-vous que le sol est plat et qu'il peut supporter le poids du réfrigérateur.

#### Les bacs à légumes sont coincés.

- Il se peut que les denrées touchent le plafond du tiroir. >>>Disposez à nouveau les denrées dans le tiroir.



## Læs venligst denne vejledning først!

Kære kunde

Vi håber, at dit produkt, der er produceret i moderne produktionsanlæg og kontrolleret under de grundigste kvalitetskontrolprocedurer, vil give yde dig en effektiv service.

Derfor anbefaler vi dig grundigt at læse hele vejledningen for produktet, inden du tager det i anvendelse, og gemmer det tilgængeligt for fremtidige opslag.

## Denne vejledning

- Vil hjælpe dig med at bruge køle-/fryseskabet hurtigt og sikkert.
- Læs denne vejledning, inden du installerer og betjener produktet.
- Følg instruktionerne, især sikkerhedsinstruktionerne.
- Opbevar denne manual på et nemt tilgængeligt sted, da du kan få brug for den senere.
- Derudover skal du også læse de andre dokumenter, der er fulgt med produktet.
- Bemærk at denne vejledningen også kan være gældende for andre modeller.

## Symboler og deres beskrivelse

Denne brugsvejledning indeholder følgende symboler:

 Vigtige informationer eller brugbare tips.

 Advarsel mod farlige forhold for liv og ejendom.

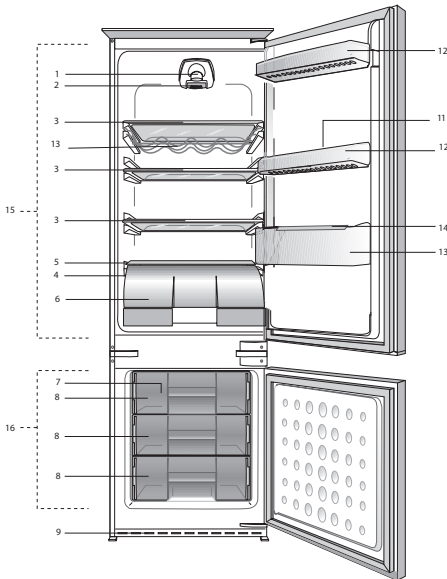
 Advarsel mod strømspænding.

## INDHOLD

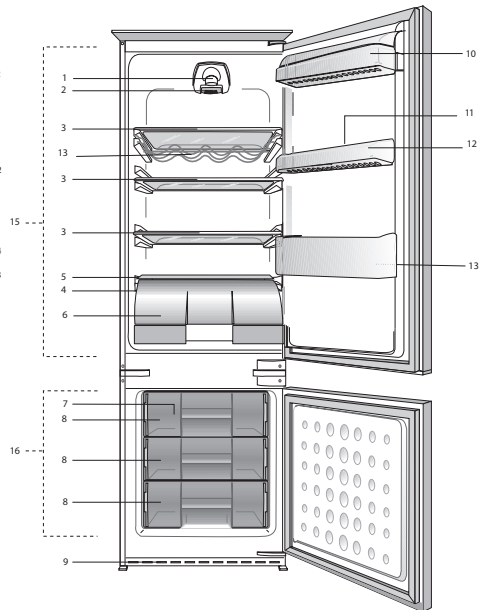
---

<b>1 Køleskabet</b>	<b>3</b>	<b>4 Tilberedning</b>	<b>13</b>
<b>2 Vigtige sikkerhedsadvarsler</b>	<b>4</b>	<b>5 Anvendelse af køleskabet</b>	<b>14</b>
Tilsigtet brug.....	4	Håndtag til temperaturindstilling.....	14
Børnesikkerhed .....	6	Afrimning .....	14
Overholdelse af WEEE-direktivet og bortskaffelse af affald: .....	6	Nul-grader rum .....	15
Overholdelse af RoHS-direktivet: .....	6	<b>6 Vedligeholdelse og rengøring</b>	<b>16</b>
Emballageopslysninger .....	7	Beskyttelse af plasticoverflader .....	16
HCA Advarsel .....	7	<b>7 Anbefalede løsninger på problemerne</b>	<b>17</b>
Energibesparende foranstaltninger.....	7		
<b>3 Installation</b>	<b>8</b>		
Hvis køleskabet skal transporteres igen .....	8		
Inden køleskabet betjenes .....	8		
Elektrisk tilslutning .....	8		
Bortskaffelse af emballagen .....	8		
Bortskaffelse af det gamle køleskab...	9		
Placering og installation .....	9		
Udskiftning af den indvendige lyspære .....	10		
Vende dørene .....	11		
Vende dørene .....	12		

# 1 Køleskabet



CBI 7771  
CBI 7771 F



CBI 7770

1. Termostatknop
2. Indvendigt lys
3. Regulerbare hylder
4. Opsamlingskanal til optøet vand - Afløbsrør
5. Låg til grøntsagsskuffe
6. 0 °C afdeling
7. Isbakke
8. Fryser
9. Rist
10. Mejeriafdeling
11. Æggebakke
12. Justerbare hylder i lågen
13. Flaskehylde
14. Flaskeholder
15. Køleskab
16. Fryser

**i** Tallene i denne manual er skematiske og svarer måske ikke helt til dit produkt. Hvis delene ikke er indeholdt i det produkt, du har købt, findes de i andre modeller.

## 2 Vigtige sikkerhedsadvarsler

---

Gennemgå følgende informationer. Hvis man undlader at overholde disse informationer, kan det forårsage kvæstelser eller materiel skade. Ellers vil alle garantier og løfter om driftssikkerhed blive ugyldige. Brugslevetiden for enheden, du har købt, er 10 år. Det er den periode, de reservedele bevares, der er nødvendige for, at enheden kan køre som beskrevet.

### Tilsigtet brug

Dette produkt er beregnet til at blive brugt

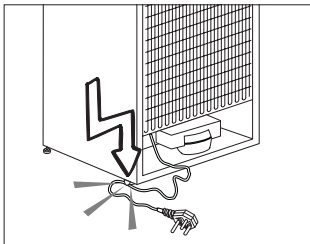
- indendørs og i lukkede områder, som f.eks. hjem;
- i lukkede arbejdsmiljøer, som f.eks. butikker og kontorer;
- lukkede boligområder, som f.eks. stuehuse, hoteller, pensionater.
- Dette produkt skal ikke bruges udendørs.

### Generelle sikkerhedsregler

- Når du vil bortkaste/skrotte produktet, anbefaler vi, at du rådfører dig med den autoriserede service for at tilegne dig de krævede informationer samt med de autoriserede myndigheder.
- Kontakt den autoriserede forhandler for at få svar på spørgsmål og problemer omkring køle-/fryseskabet. Undlad at foretage indgreb eller lade andre foretage indgreb på køle-/fryseskabet uden at informere den autoriserede forhandler.
- For produkter med fryser; Undlad at spise vaffelis eller isterninger lige efter, du har taget dem ud af fryseren! (Det kan forårsage forfrysninger i munden.)

- For produkter med fryser; læg ikke flydende drikkevarer på flaske eller kande i fryseren. De kan eksplodere.
- Rør ikke frosne madvarer med hænderne, da de kan hænge fast i din hånd.
- Tag køle-/fryseskabet ud af stikket inden rengøring eller afrimning.
- Damp og fordampede rengøringsmaterialer skal aldrig bruges ved rengøring og afrimning af køle-/fryseskabet. Hvis det sker, kan dampen komme i kontakt med de elektriske dele og forårsage kortslutning eller elektrisk stød.
- Brug aldrig delene på køle-/fryseskabet, som f.eks. lågen til at støtte dig på eller stå på.
- Brug ikke elektriske apparater inde i køle-/fryseskabet.
- Undlad at beskadige de dele, hvor kølemidlet cirkulerer, med bore- eller skæreværktøjer. Kølemidlet, som kan blæse ud, når fordamperens gaskanaler, forlængerrørene eller overfladebelægningerne punkteres, kan forårsage hudirritationer og øjenskader.
- Undlad med nogen form for materiale at tildække eller blokere ventilationshullerne på køle-/fryseskabet.
- Elektrisk udstyr må kun repareres af autoriserede personer. Reparationer, der er udført af inkompetente personer, skaber en risiko for brugeren.

- I tilfælde af fejlfunktion under vedligeholdelses- eller reparationsarbejde skal køle-/fryseskabets forsyningsnet afbrydes ved enten at slukke for den relevante sikring eller ved at tage apparatets stik ud af kontakten.
- Træk ikke i ledningen, når stikket skal tages ud.
- Placer de drikkevarer, der indeholder højere alkoholprocent, stramt lukket og lodret.
- Opbevarer aldrig sprayflasker, der indeholder brændbare og eksplosive substanser, i køle-/fryseskabet.
- Der må ikke anvendes mekanisk udstyr eller andre midler, ud over de af producenten anbefalede, for at fremskynde afrimningsprocessen.
- Dette produkt er ikke beregnet til at bruges af personer med fysiske handicap, føleforstyrrelser og psykiske lidelser eller personer, som ikke har modtaget instruktion (herunder børn), medmindre de er ledsaget af en person, der er ansvarlig for deres sikkerhed eller som instruerer dem i brug af produktet.
- Lad ikke et beskadiget køle-/fryseskab køre. Kontakt serviceagenten, hvis du har nogen betænkeligheder.
- Der kan kun garanteres for køle-/fryseskabets strømsikkerhed, hvis jordingsystemet i dit hjem opfylder standarderne.
- At udsætte produkterne for regn, sne, sol og vind er farligt hvad angår el-sikkerheden.
- Kontakt autoriseret service, hvis der er et beskadiget strømkabel, for at undgå fare.
- Sæt aldrig køle-/fryseskabet ind i stikkontakten under installationen. Hvis det sker, kan der opstå risiko for dødsfald eller alvorlig skade.
- Dette køle-/fryseskab er kun beregnet til at opbevare madvarer. Det bør ikke bruges til andre formål.
- Typeskiltet med tekniske informationer er placeret på den venstre væg i køle-/fryseskabet.
- Tilslut aldrig køle-/fryseskabet til el-besparende systemer; de kan beskadige køle-/fryseskabet.
- Hvis der er et blåt lys i køle-/fryseskabet, så undlad at kigge på det blå lys med optiske instrumenter.
- For manuelt betjente køle-/fryseskabe skal man vente mindst 5 minutter med at starte det efter strømsvigt.
- Denne brugermanual skal afleveres til den nye ejer når det skifter ejermand.
- Undlad at beskadige strømkablet, når køle-/fryseskabet transporteres. Det kan forårsage brand at bøje kablet. Placer aldrig tunge genstande på strømkablet. Rør ikke ved stikket med våde hænder, når du tager stikket ud.



- Tilslut ikke køle-/fryseskabet hvis stikkontakten er løs.
- Vand bør ikke blive sprøjet direkte på indre og ydre dele af produktet af sikkerhedsmæssige årsager.
- Undlad at sprøjte substanser, der indeholder brændbare gasser, som f.eks. propangas, nær ved køle-/fryseskabet for at undgå risiko for brand og eksplosion.

- Placer aldrig beholdere, der er fyldt med vand, oven på køle-/fryseskabet, da det kan forårsage elektrisk stød eller brand.
- Overfyld ikke køle-/fryseskabet med overdrevne mængder mad. Hvis det er overfyldt, kan maden falde ned og beskadige dig og beskadige køle-/fryseskabet, når lågen åbnes. Placer aldrig genstande oven på køle-/fryseskabet; disse genstande kan falde ned, når du åbner eller lukker køle-/fryseskabslågen.
- Vacciner, varmfølsomme medikamenter, videnskabelige materialer osv. bør ikke opbevares i køle-/fryseskabet, da de har brug for præcis temperatur.
- Køle-/fryseskabet skal tages ud af stikkontakten, hvis det ikke skal bruges i længere tid. Et evt. problem i strømkablet kan forårsage brand.
- Spidsen på stikket bør rengøres jævnlgt; ellers kan den forårsage brand.
- Spidsen af stikket bør rengøres jævnlgt med en tør klud, da det ellers kan forårsage brand.
- Køle-/fryseskabet kan flytte sig, hvis de justerbare ben ikke er sikret godt nok på gulvet. Rigtigt sikrede justerbare ben på gulvet kan forhindre køle-/fryseskabet i at flytte sig.
- Når køle-/fryseskabet skal bæres, må man ikke holde i lågens håndtag. Hvis det sker, kan det brække.
- Hvis produktet skal placeres ved siden af et andet køle-/fryseskab eller fryser, skal afstanden mellem de to apparater være mindst 8 cm. Ellers kan de tilgrænsende sidevægge blive fugtige.

## For produkter med en vanddispenser;

- Vandtrykket skal være mindst 1 bar.
- Vandtrykket skal være højst 8 bar.
- Brug kun drikkevand.

## Børnesikkerhed

- Hvis døren har en lås, bør nøglen opbevares uden for børns rækkevidde.
- Børn skal overvåges for at forhindre, at de piller ved produktet.

## Overholdelse af WEEE-direktivet og bortskaffelse af affald:



Dette produkt er i overensstemmelse med WEEE-direktiv (2012/19/EU). Dette produkt bærer et symbol for klassificering af bortskaffelse af elektrisk og elektronisk udstyr (WEEE).

Dette produkt er fremstillet af dele og materialer af høj kvalitet, der kan bruges igen, og som er egnede for genbrug. Smid ikke produktet med husholdningsaffald og andet affald ved slutningen af dets levetid. Bring det til et opsamlingssted for genbrug af elektroniske og elektriske apparater. Kontakt dine lokale myndigheder for at finde nærmeste opsamlingssted.

## Overholdelse af RoHS-direktivet:

Det produkt, du har købt, er i overensstemmelse med EU RoHS-direktivet (2011/65/EU). Det indeholder ikke skadelige og forbudte materialer angivet i direktivet.

## **Emballageoplysninger**

Produktets emballage er fremstillet af genbrugsmaterialer i overensstemmelse med vores nationale miljøbestemmelser. Smid ikke emballagen sammen med husholdningsaffald eller andet affald. Bring den til et opsamlingssted udpeget af de lokale myndigheder.

## **HCA Advarsel**

### **Hvis køle-/fryseskabets kølesystem indeholder R600a:**

Denne gas er brændbar. Du skal derfor være opmærksom på ikke at ødelægge kølesystemet og kølerørene under brug og transport. I tilfælde af beskadigelse skal produktet holdes væk fra mulige brandkilder, der kan forårsage, at produktet går i brand, og du skal sørge for at lufte ud i rummet, hvor produktet er placeret.

### **Ignorer denne advarsel, hvis dit køle-/fryseskabs kølesystem indeholder R134a.**

Gastypen, der bruges i produktet, er meddelt på typeskiltet, der er på venstre væg inde i køle-/fryseskabet. Kast aldrig produktet i en brand for bortskaffelse.

## **Energibesparende foranstaltninger**

- Undlad at lade lågerne i køle-/fryseskabet stå åbne i lang tid.
- Put ikke varm mad eller drikke i køle-/fryseskabet.
- Overfyld ikke køle-/fryseskabet, så luftcirkulationen bliver forhindret.
- Placer ikke dit køle-/fryseskab under direkte sollys eller tæt på varmeudstrålende apparater, som f.eks. ovne, opvaskemaskiner eller radiatorer.

- Vær omhyggelig med at opbevare maden i lukkede beholdere.
- Produkter med en fryser: Du kan opbevare maksimal mængde madvarer i fryseren, hvis du fjerner hylden eller skuffen i fryseren. Energiforbrugsværdien, der er angivet for køle-/fryseskabet, er blevet bestemt ved at fjerne fryserhylden eller -skuffen og under maksimal indfyldning. Der er ingen skade ved at bruge en hyld eller skuffe der passer i form og størrelse til de madvarer der skal fryses.
- Optøning af frossen mad i køle-/fryseskabet vil både skabe energibesparelse og bevare madens kvalitet.

## 3 Installation

⚠ Producenten kan ikke holdes ansvarlig, hvis oplysningerne givet i brugsanvisningen ikke er overholdt.

### Hvis køleskabet skal transporteres igen

1. Køleskabet skal tømmes og rengøres inden transport.
2. Hylde, tilbehør, grøntsagsskuffer osv. skal fastgøres sikkert for at modvirke stød, inden produktet pakkes igen.
3. Emballagen skal fastgøres, og reglerne for transport, der er trykt på pakken, skal følges.

### Glem ikke, at...

Alt genbrugsmateriale er en uundværlig kilde for naturen og for vore nationale ressourcer.

Hvis du ønsker at medvirke til at genbruge emballagen, kan du få yderligere informationer hos miljøorganisationerne eller de lokale myndigheder.

### Inden køleskabet betjenes

Inden du begynder at bruge køleskabet, skal du kontrollere følgende:

1. Køleskabet skal være tørt indvendigt, og luften skal kunne cirkulere frit bagved det.
2. Rengør køleskabet indvendigt som anbefalet i afsnittet "Vedligeholdelse og rengøring".
3. Sæt køleskabets ledning i kontakten. Når køleskabsdøren åbnes, vil køleskabets indvendige lys tændes.

4. Der vil kunne høres en lyd, når kompressoren starter. Kølevæsken og gasarterne, der findes i kølesystemet, kan også støje lidt, selv om kompressoren ikke kører, hvilket er helt normalt.
5. Køleskabets forreste kanter kan føles varme. Dette er normalt. Disse områder er beregnet til at være varme for at undgå kondensering.

### Elektrisk tilslutning

Tilslut produktet til en jordet kontakt, der er beskyttet af en sikring med passende kapacitet.

Vigtigt:

- Tilslutningen skal være i overensstemmelse med de nationale regulativer.
- Strømstikket skal være nemt tilgængeligt efter installationen.
- Den angivne spænding skal være lig med spændingen på dit el-net.
- Mellemkabler og stikdåser med flere stik skal ikke bruges til tilslutningen.

⚠ Beskadiget netledning skal udskiftes af autoriseret el-installatøren.

⚠ Produktet må ikke betjenes, før det er repareret! Der er fare for elektrisk stød!

### Bortskaffelse af emballagen

Emballagen kan være farlig for børn. Hold emballagen væk fra børns rækkevidde eller bortskaf den, idet du skal klassificere den i henhold til affaldsinstruktionerne. Smid den ikke væk sammen med det øvrige husholdningsaffald.

Køleskabets emballage er produceret af genanvendelige materialer.



## **Bortskaffelse af det gamle køleskab**

Bortskaf det gamle køleskab uden at skade miljøet.

- Du kan spørge din forhandler eller genbrugsstationen i din kommune angående bortskaffelse af køleskabet.

Inden køleskabet bortskaffes, skal du skære elstikket af, og hvis der er låse i lågen, skal du gøre dem ubrugelige for at beskytte børn mod fare.

## **Placering og installation**

1. Ungå at placere køleskabet ved varmekilder, fugtige steder og direkte sollys.
2. Der skal være tilstrækkelig ventilation rundt om køleskabet for at opnå en effektiv funktion. Hvis køleskabet skal placeres i en fordybning i væggen, skal der være mindst 5 cm afstand fra loft og væg. Hvis gulvet er belagt med tæppe, skal produktet hæves 2,5 cm fra gulvet.
3. Placér køleskabet på en jævn gulvoverflade for at undgå rystebevægelser.

## **Udskiftning af den indvendige lyspære**

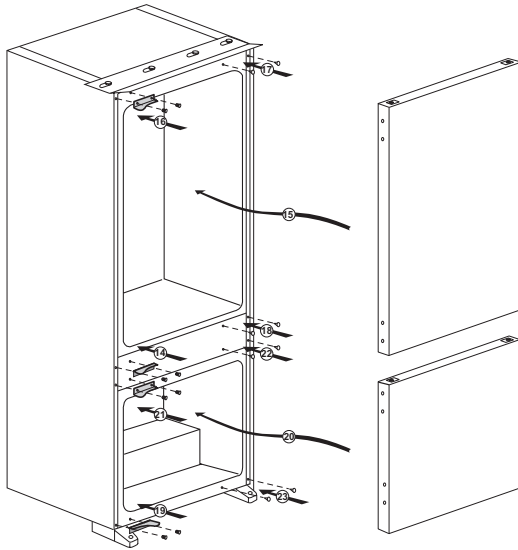
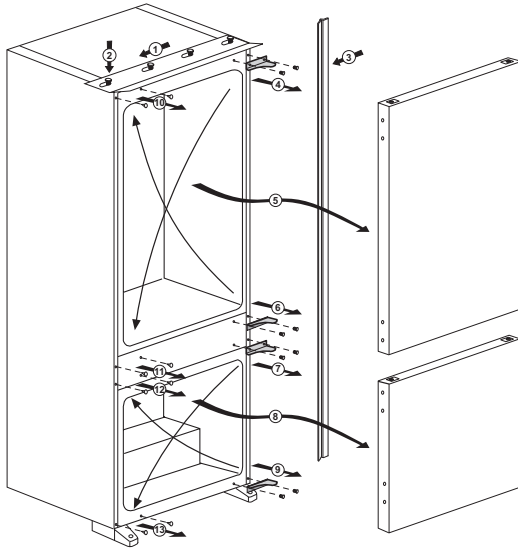
For at skifte lampen, der belyser køleskabet, bedes du ringe til den autoriserede service. Pærerne for dette husholdningsapparat er ikke egnet til belysningsformål.

Det tiltænkte formål med denne pære er at gøre det muligt for brugeren at placere levnedsmidler i køleskabet/fryseren på en sikker og bekvem måde.

De pærer der anvendes i enheden, skal kunne modstå ekstreme fysiske forhold som eksempelvis temperaturer under  $-20^{\circ}\text{C}$ .

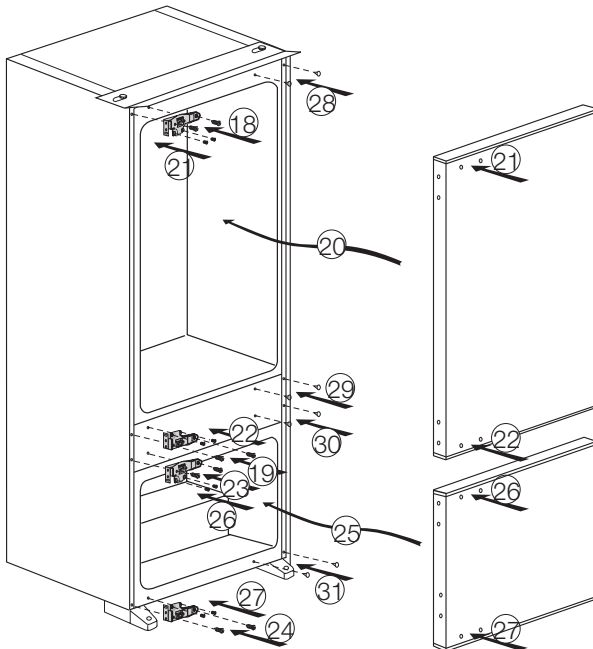
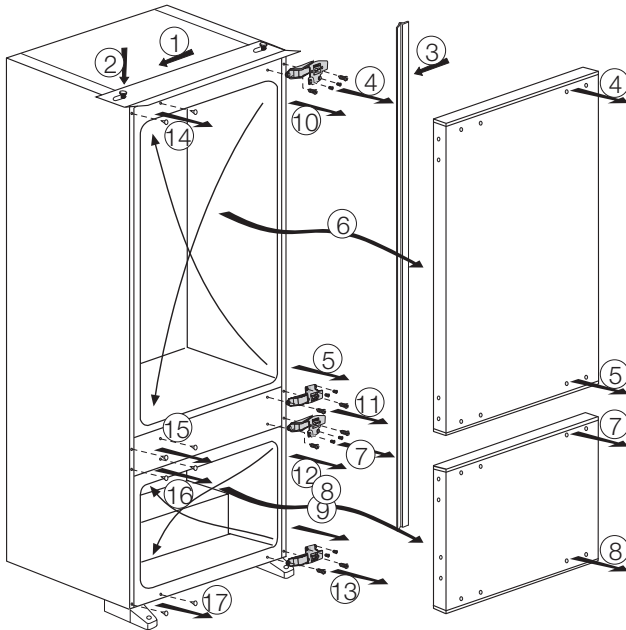
# Vende dørene

Fortsæt i numerisk rækkefølge



# Vende dørene

Fortsæt i numerisk rækkefølge

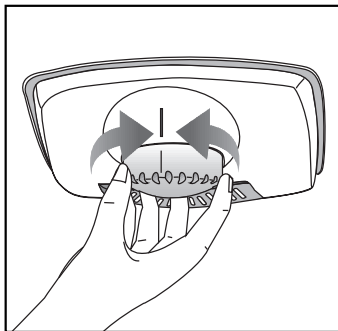


## 4 Tilberedning

---

- Køle-/fryseskabet skal installeres mindst 30 cm væk fra varmekilder, som f.eks. kogeplader, ovne, radiatorer og brændeovne, og mindst 5 cm væk fra elektriske ovne, og det bør ikke placeres i direkte sollys.
- Den omgivende temperatur i det rum, hvor køle-/fryseskabet installeres, bør være mindst 10°C. For at køle-/fryseskabet skal være effektivt, anbefales det ikke at betjene det under koldere forhold.
- Sørg for at den indvendige del af køle-/fryseskabet er grundigt rengjort.
- Hvis der skal installeres to køle-/fryseskabe ved siden af hinanden, bør der være mindst 2 cm imellem dem.
- Når du lader køle-/fryseskabet køre første gang, skal du overholde følgende instruktioner de første 6 timer.
- Lågen skal ikke åbnes ofte.
- Det skal køre tomt uden nogen form for mad i det.
- Tag ikke køle-/fryseskabet ud af stikkontakten. Hvis der opstår et strømudfald uden for din kontrol, så læs advarslerne under afsnittet "Anbefalede løsninger ved problemer".
- Den originale emballage og skummaterialerne bør gemmes for fremtidig transport eller flytning.

## 5 Anvendelse af køleskabet



### Håndtag til temperaturindstilling

Køleskabets indvendige temperatur kan ændre sig pga. følgende:

- Sæsonbetonede temperaturer;
- Hvis lågen ofte åbnes, og hvis lågen efterlades åben i længere perioder,
- Mad, der sættes ind i køleskabet, uden at være kølet ned til rumtemperatur,
- Placering af køleskabet i rummet (f.eks. udsættelse for sollys).
- Du kan justere de varierende indvendige temperaturindstillinger, der er opstået af disse årsager, ved at bruge termostaten. Tallene rundt om knappen angiver kølegraderne.
- Hvis rumtemperaturen (rum eller garage) er mellem 0 °C og -15 °C, anbefaler vi at du justerer knappen 4 så du når -18C i fryserummet. Lavere temperaturer kan opnås ved at stille justeringsknappen mod maks. position.
- Den maksimale fryseplads til frosne madvare kan opnåes uden brug af det øverste hyldelåg i fryseren. Energiforbruget for dit apparat er angivet for et fyldt fryserum uden brug af øverste hyldelåg.

### Afrimning

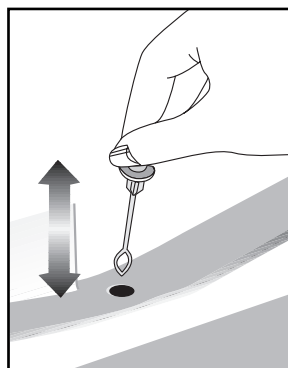
#### Køleskab

Køleskabet udfører fuldautomatisk afrimning. Der kan opstå vanddråber og isblomstdannelse op til 7-8 mm på køleskabets bageste væg, mens køleskabet køler ned. Sådant en dannelse er normal som et resultat af kølesystemet. Frostdannelsen afrimes ved udførelse af automatisk afrimning med bestemte intervaller takket være det automatiske afrimningssystem af bagvæggen. Brugeren skal ikke skrabe frosten af eller fjerne vanddråberne.

Vand, der opstår som følge af afrimningen, passerer fra vandopsamlingsrenden og flyder ind i fordampere gennem drænrøret og fordamper af sig selv.

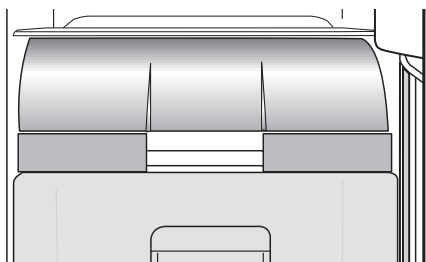
Kontroller jævnligt for at se, om drænrøret er tilstoppet eller ej, og ryd det med pinden i hullet, hvis nødvendigt.

Fryserafdelingen afrimer automatisk.



## Nul-grader rum

Dette rum er beregnet til at opbevare frossen mad, som skal tøs langsomt op (kød, fisk, kylling osv.). Nul-grader rummet er det koldeste sted i køleskabet, hvor mejeriprodukter (ost, smør), kød, fisk eller kylling kan opbevares ved ideelle opbevaringsbetingelser. Grøntsager og/eller frugt skal ikke placeres i dette rum.



## 6 Vedligeholdelse og rengøring

---

- ⚠ Anvend aldrig benzin, benzen eller lignede stoffer til rengøring.
- ⚠ Vi anbefaler at koble køle-/fryseskabet fra strømmen inden rengøring.
- ⚠ Anvend aldrig skarpe, slibende redskaber, sæbe, rengøringsmidler, detergenter og pudsemidler med voks til rengøring.
- ℹ Brug lunt vand til rengøring af køle-/fryseskabet udvendigt og tør det af.
- ℹ Anvend en fugtig, opvredet klud i en opløsning af en teske af natron til en halv liter vand til rengøring af køle-/fryseskabet indvendigt og tør det af.
- ⚠ Sørg for, at ingen vand kommer i kontakt med lampen og andre elektriske dele.
- ⚠ Hvis køle-/fryseskabet ikke skal bruges i en længere periode, træk stikket ud af kontakten, fjern al mad, rengør køle-/fryseskabet og lad døren stå på klem.
- ℹ Kontroller jævnligt dørhænderne for at sikre, at de er rene og frie for madrester.
- ⚠ For at fjerne dørhænder, tømmes indholdet ud, hvorefter dørhænderne ganske enkelt løftes op fra sin plads.

- ⚠ Brug aldrig rengøringsmidler eller vand, der indeholder klorin, til rengøring af de ydre overflader og de forkromede dele af produktet. Klorin forårsager korrosion på den slags metaloverflader.

### Beskyttelse af plasticoverflader

- ℹ Sæt ikke flydende olie eller olieholdige madvarer i åbne beholdere da de kan ødelægge køle-/fryseskabets plastikdele. Hvis der spildes eller smøres olie på plasticoverfladerne, skal den relevante del af overfladen renses og skylles med det samme med varmt vand.



## 7 Anbefalede løsninger på problemerne

Læs denne liste igennem, inden du ringer efter service. Det kan spare dig for tid og penge. Denne liste indeholder ofte forekommende reklamationer, der ikke opstår af defekt udførelse eller materialebrug. Det er muligt, at nogle af de her beskrevne funktioner ikke findes i dit produkt.

Køle-/fryseskabet virker ikke
<ul style="list-style-type: none"><li>• Er køle-/fryseskabet sat rigtigt i stikkontakten? Sæt stikket i kontakten i væggen.</li><li>• Er sikringen, som køle-/fryseskabet er tilsluttet, eller hovedsikringen sprunget? Kontroller sikringen.</li></ul>
Kondention på siden af køle-/fryseskabet (MULTIZONE, KØLEKONTROL og FLEXIZONE).
<ul style="list-style-type: none"><li>• Meget kolde omgivelser. Ofte åbning og lukning af lågen. Højt fugtindhold i omgivelserne. Opbevaring af mad, der indeholder væske, i åbne beholdere. Lågen står på klem. Sæt termostaten på koldere grader.</li><li>• Reducér tiden, hvor lågen står åben, eller brug den mindre ofte.</li><li>• Dæk maden, der opbevares i åbne beholdere, til med passende materiale.</li><li>• Tør kondensvandet af vha. en tør klud og kontroller, om det vedvarer.</li></ul>
Kompressoren kører ikke.
<ul style="list-style-type: none"><li>• Beskyttelsestermo fra kompressoren vil blæse ud under pludselig strømudfald eller tilkoblinger fra koblinger, da kølemiddeltrykket i køle-/fryseskabets kølesystem ikke er bragt i balance endnu. Køle-/fryseskabet vil starte med at køre efter ca. 6 minutter. Ring efter service, hvis køle-/fryseskabet ikke starter efter denne periode.</li><li>• Køle-/fryseskabet er ved at afrime. Dette er normalt for et køle-/fryseskab med fuldautomatisk afrimning. Afrimning foregår med jævne mellemrum.</li><li>• Køle-/fryseskabsstikket er ikke sat i kontakten. Sørg for, at stikket er sat ordentligt i kontakten.</li><li>• Er temperaturindstillingerne foretaget rigtigt?</li><li>• Strømmen kan være afbrudt.</li></ul>

Køle-/fryseskabet kører ofte eller i lang tid.
<ul style="list-style-type: none"> <li>• Det nye køle-/fryseskab kan være bredere end det foregående. Det er ganske normalt. Store køle-/fryseskabe arbejder i længere perioder.</li> <li>• Den omgivende rumtemperatur kan være høj. Det er ganske normalt.</li> <li>• Køle-/fryseskabet kan have været sat til for nylig eller have været fyldt op med mad. Komplet nedkøling af køle-/fryseskabet kan vare et par timer længere.</li> <li>• Store mængder varm mad kan være blevet sat ind i køle-/fryseskabet fornylig. Varm mad medfører, at køle-/fryseskabet skal køre i længere tid, indtil maden når den ønskede temperatur.</li> <li>• Lågerne kan have været åbnet jævnligt eller have stået på klem i lang tid. Den varme luft, der er kommet ind i køle-/fryseskabet, får køle-/fryseskabet til at køre i længere perioder. Undlad at åbne lågen så ofte.</li> <li>• Fryserens eller køle-/fryseskabets dør kan have stået på klem. Kontroller om lågerne er lukket tæt.</li> <li>• Køle-/fryseskabet er indstillet meget koldt. Indstil køle-/fryseskabstemperaturen højere, indtil temperaturen er tilpas.</li> <li>• Køle-/fryseskabets eller fryserens lågepakning kan være snavset, slidt, ødelagt eller ikke sat ordentligt på. Rengør eller udskift pakningen. Beskadiget/brækket pakning forårsager, at køle-/fryseskabet kører i længere perioder for at vedligeholde den aktuelle temperatur.</li> </ul>
Frysertemperaturen er meget lav, mens køle-/fryseskabstemperaturen er tilpas.
<ul style="list-style-type: none"> <li>• Frysertemperaturen er indstillet meget koldt. Juster frysertemperaturen varmere og kontroller.</li> </ul>
Køle-/fryseskabstemperaturen er meget lav, mens fryserstemperaturen er tilpas.
<ul style="list-style-type: none"> <li>• Køle-/fryseskabstemperaturen er indstillet til en meget lav temperatur. Juster køle-/fryseskabstemperaturen varmere og kontroller.</li> </ul>
Mad, der opbevares i køle-/fryseskabet, fryser.
<ul style="list-style-type: none"> <li>• Køle-/fryseskabstemperaturen er indstillet til en meget lav temperatur. Juster køle-/fryseskabstemperaturen varmere og kontroller.</li> </ul>
Temperaturen i køle-/fryseskab eller fryser er meget høj.
<ul style="list-style-type: none"> <li>• Køle-/fryseskabstemperaturen er indstillet til en meget lav temperatur. Køle-/fryseskabsindstillingen har virkning på fryserens temperatur. Skift køle-/fryseskabets eller fryserens temperatur, indtil køle-/fryseskabs- eller frysertemperatur når et tilpas niveau.</li> <li>• Lågerne kan have været åbnet jævnligt eller have stået på klem i lang tid.</li> <li>• Døren kan have stået på klem, luk døren helt.</li> <li>• Store mængder varm mad kan være blevet sat ind i køle-/fryseskabet fornylig. Vent til køle-/fryseskabet eller fryseren når den ønskede temperatur.</li> <li>• Køle-/fryseskabet kan være taget ud af kontakten fornylig. Komplet nedkøling af køle-/fryseskabet tager tid.</li> </ul>

Funktionslyden øges, når køle-/fryseskabet kører.
<ul style="list-style-type: none"> <li>Egenskaberne for køle-/fryseskabets driftsydelse kan ændre sig alt efter ændringerne i den omgivende temperatur. Det er normalt og ikke en fejl.</li> </ul>
Vibrationer eller støj.
<ul style="list-style-type: none"> <li>Gulvet er ikke lige, eller det er svagt. Køle-/fryseskabet vipper, når det flyttes langsomt. Sørg for, at gulvet er lige, stærkt og kapabelt til at bære køle-/fryseskabet.</li> <li>Støjen kan være forårsaget af de genstande, der er lagt i køle-/fryseskabet. Ting oven på køle-/fryseskabet skal fjernes.</li> </ul>
Der er støj som væske, der løber over eller sprøjter.
<ul style="list-style-type: none"> <li>Væske- og gasstrømning sker i henhold til køle-/fryseskabets driftsprincipper. Det er normalt og ikke en fejl.</li> </ul>
Der er en støj som en vind, der blæser.
<ul style="list-style-type: none"> <li>Ventilatorer bruges til at køle køle-/fryseskabet. Det er normalt og ikke en fejl.</li> </ul>
Kondensvand på køle-/fryseskabets indervægge.
<ul style="list-style-type: none"> <li>Varmt og fugtigt vejr øger isdannelse og udsvedning. Det er normalt og ikke en fejl.</li> <li>Dørerne kan have stået på klem, sørg for de er helt lukkede.</li> <li>Lågerne kan have været åbnet jævnlige eller have stået på klem i lang tid.</li> </ul>
Der opstår fugt på ydersiden af køle-/fryseskabet eller mellem lågerne.
<ul style="list-style-type: none"> <li>Der kan være fugtighed i luften hvilket er normalt i fugtigt vejr. Når fugtigheden er mindre, vil kondensen forsvinde.</li> </ul>
Dårlig lugt inde i køle-/fryseskabet.
<ul style="list-style-type: none"> <li>Køle-/fryseskabets skal rengøres indvendigt. Rengør køle-/fryseskabet indvendigt med en svamp, varmt vand eller kulstoffoldigt vand.</li> <li>Nogle beholdere eller emballeringsmaterialer kan forårsage lugten. Brug en anden beholder eller et andet mærke indpakningsmateriale.</li> </ul>
Døren lukker ikke.
<ul style="list-style-type: none"> <li>Madbeholdere forhindrer lågen i at lukke. Omplacér pakkerne, der blokerer lågen.</li> <li>Køle-/fryseskabet står ikke helt lodret på gulvet og vipper når det flyttes lidt. Justér højdeskruerne.</li> <li>Gulvet er ikke lige eller stærkt. Sørg for, at gulvet er lige, stærkt og kapabelt til at bære køle-/fryseskabet.</li> </ul>
Grøntsagsskuffer sidder fast.
<ul style="list-style-type: none"> <li>Maden berører måske skuffens top. Omarranger maden i skuffen.</li> </ul>

## **Gelieve eerst deze gebruiksaanwijzing te lezen!**

Geachte Klant,

We hopen dat uw product, dat in een moderne fabriek werd geproduceerd en onder de meest nauwkeurige procedures voor kwaliteitscontrole werd gecontroleerd, u doeltreffend van dienst zal zijn.

Wij bevelen daarom aan dat u eerst zorgvuldig de volledige gebruiksaanwijzing van uw product leest voordat u het product gaat gebruiken. Bewaar de handleiding voor toekomstige raadpleging.

### **Deze gebruiksaanwijzing...**

...helpt u uw toestel snel en veilig te gebruiken.

- Lees de gebruiksaanwijzing voordat u het product installeert en gebruikt.
- Volg de instructies, in het bijzonder die met betrekking tot veiligheid.
- Bewaar de gebruiksaanwijzing op een eenvoudig toegankelijke plaats aangezien u deze later nodig kunt hebben.
- Daarnaast dient u ook de andere documenten die bij uw product worden geleverd te lezen.

Let erop dat deze gebruiksaanwijzing ook voor andere modellen kan gelden.

### **Symbolen en hun beschrijvingen**

Deze instructiehandleiding bevat de volgende symbolen:

 Belangrijke informatie of nuttige gebruikstips.

 Waarschuwing tegen gevaarlijke omstandigheden voor leven en eigendommen.

 Waarschuwing tegen elektrische spanning.

### **1 Uw koelkast 3**

#### **2 Belangrijke veiligheidswaarschuwingen 4**

Bedoeld gebruik .....	4
Voor producten met een waterdispenser; .....	6
Kinderbeveiliging .....	6
Voldoet aan de WEEE-richtlijn en de richtlijnen voor afvoeren van het restproduct: .....	6
Voldoet aan de RoHS-richtlijn: .....	7
Verpakkingsinformatie.....	7
HCA-Waarschuwing .....	7
Aanwijzingen ter besparing van energie .....	7

### **3 Installatie 8**

Aandachtspunten bij het opnieuw transporteren van uw koelkast .....	8
Alvorens de inwerkstelling van uw koelkast.....	8
Afvoeren van de verpakking.....	9
Afvoeren van uw oude koelkast .....	9
Plaatsing en installatie.....	9
Het binnenlichtje vervangen .....	10
De deuren omkeren .....	11
De deuren omkeren .....	12

### **4 Voorbereiding 13**

#### **5 Gebruik van uw koelkast 14**

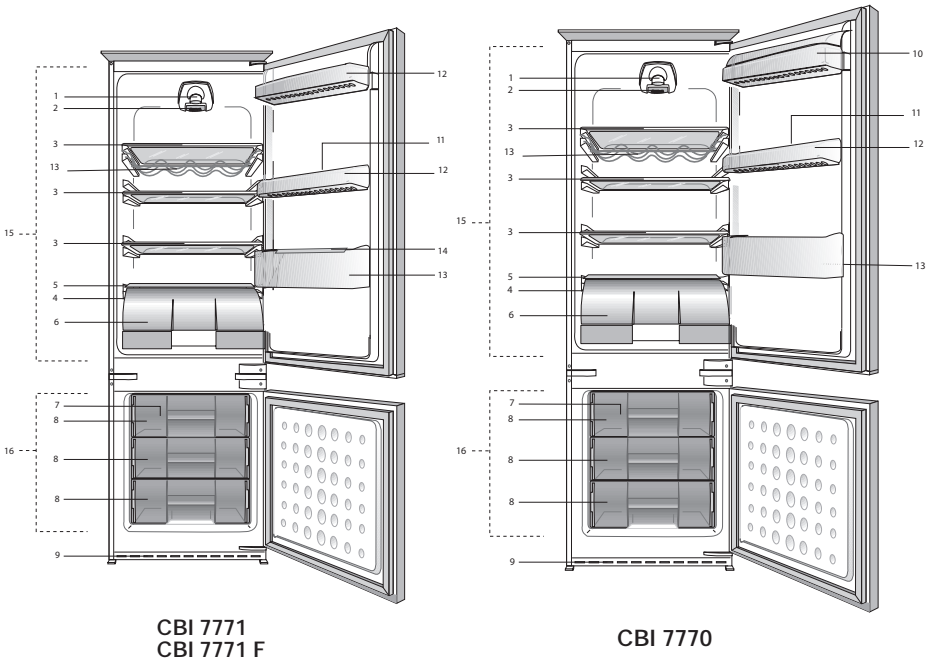
Temperatuurinstellingsknop .....	14
Ontdooien .....	14
Nul-graden-vak.....	15

#### **6 Onderhoud en reiniging 16**

Bescherming van de plastic oppervlakken .....	16
---	----

#### **7 Aanbevolen oplossingen voor problemen 17**

# 1 Uw koelkast



CBI 7771  
CBI 7771 F

CBI 7770

- 1. Thermostaatknop
- 2. Binnenlichtje
- 3. Aanpasbare schappen
- 4. Afvoer kanaal dooiwater - uitloop
- 5. Deksel van groentelade
- 6. 0 °C Vak
- 7. Ijsbank
- 8. Diepvriesgedeelte
- 9. Luchtrooster
- 10. Vak voor zuivelproducten
- 11. Eierrek
- 12. Verstelbare deurvakken
- 13. Flessenrek
- 14. Flessenhouder
- 15. Koelgedeelte
- 16. Diepvriesgedeelte

**f** De afbeeldingen in deze gebruiksaanwijzing zijn schematisch en hoeven niet exact met uw product overeen te komen. Wanneer onderdelen niet tot het product behoren dat u hebt gekocht, zijn deze geldig voor andere modellen.

## 2 Belangrijke veiligheids waarschuwingen

Gelieve de volgende informatie goed te bestuderen. Verzuim deze informatie door te lezen kan letsel of materiële schade veroorzaken. In dat geval worden alle garantie en betrouwbaarheidsgaranties ongeldig. De levensduur van de unit die u heeft aangekocht is 10 jaar. Dit is de periode dat u benodigde reserveonderdelen dient te bewaren om de unit te laten werken zoals beschreven.

### Bedoeld gebruik

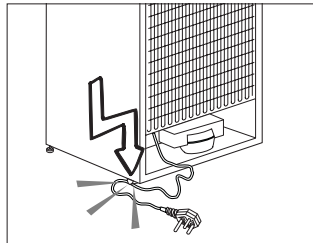
Dit product is bedoeld voor gebruik

- binnen en in afgesloten ruimten zoals huizen;
- in afgesloten werkomgevingen zoals winkels en kantoren;
- in afgesloten verblijfplaatsen zoals boerenhoeven, hotels, pensions.
- Dit toestel mag niet buitenshuis worden gebruikt.

### Algemene veiligheid

- Wanneer u het product wenst af te voeren, raden wij u aan de bevoegde onderhoudsdienst te raadplegen om de benodigde informatie en bevoegde instanties te leren kennen.
- Raadpleeg uw bevoegde onderhoudsdienst voor alle vragen en problemen met betrekking tot de koelkast. Voer geen ingrepen aan de koelkast uit en laat dit ook niet door iemand anders doen zonder de bevoegde onderhoudsdienst op de hoogte te stellen.
- Voor producten met een diepvriesvak; Eet geen ijs of ijsblokjes onmiddellijk nadat u deze uit het diepvriesvak heeft gehaald! (Dit kan bevroering in uw mond veroorzaken.)
- Voor producten met een diepvriesvak; Plaats geen flessen of blikjes met vloeibare dranken in het diepvriesvak. Deze zouden kunnen barsten.
- Raak ingevroren voedingsmiddelen niet met de hand aan; deze kunnen aan uw hand vastplakken.
- Trek de stekker van uw koelkast uit het stopcontact voordat u deze schoonmaakt of ontdooit.
- Bij het schoonmaken en ontdooien van de koelkast mogen geen stoom en stoomreinigers gebruikt worden. De stoom kan in contact komen met de elektrische onderdelen en kortsluiting of een elektrische schok veroorzaken.
- Gebruik geen onderdelen van uw koelkast zoals de deur als steun of opstapje.
- Gebruik geen elektrische apparaten binnen in de koelkast.
- Beschadig de onderdelen waar de koelmoeistof circuleert niet door boor- of snijgereedschap. De koelmoeistof kan naar buiten geblazen worden wanneer de gasleidingen van de verdamper, leidingverlengingen of oppervlaktecoatings worden doorboord en dit veroorzaakt huidirritatie en oogletsel.
- Dek of blokkeer de ventilatieopeningen van uw koelkast met geen enkel materiaal.
- Elektrische apparaten dienen slechts te worden gerepareerd door bevoegde personen. Reparaties die door onbevoegde personen worden leveren een risico voor de gebruiker op.

- In geval van storing of tijdens onderhoud- of reparatiewerkzaamheden, sluit de stroomtoevoer van de koelkast af door de zekering uit te draaien of de stekker van het apparaat uit te trekken.
- Bij het uittrekken van de stekker deze niet aan de kabel uittrekken.
- Plaats alcoholische dranken goed afgesloten en verticaal.
- Bewaar nooit spuitbussen met ontvlambare en explosieve substanties in de koelkast.
- Gebruik geen andere mechanische toestellen of andere middelen om het ontdooiingsproces te versnellen dan die toestellen of middelen die door de fabrikant worden aangeraden.
- Dit product is niet bedoeld te worden gebruikt door personen met fysieke, zintuiglijke of mentale afwijkingen of personen met gebrek aan kennis of ervaring (inclusief kinderen) mits deze worden bijgestaan door een persoon die verantwoordelijk is voor hun veiligheid of die hen dienovereenkomstig instrueert hoe het product te gebruiken.
- Gebruik geen beschadigde koelkast. Raadpleeg de servicedienst in geval van twijfel.
- Elektrische veiligheid van uw koelkast wordt alleen gegarandeerd wanneer het aardingssysteem in uw huis aan de normen voldoet.
- Blootstelling van het product aan regen, sneeuw, zon en wind is gevaarlijk met betrekking tot de elektrische veiligheid.
- Neem bij schade aan de stroomkabel contact op met de bevoegde servicedienst om gevaar te voorkomen.
- Steek tijdens installatie nooit de stekker van de koelkast in het stopcontact. Er bestaat een kans op overlijden of serieus letsel.
- Deze koelkast is slechts bedoeld voor de opslag van voedselwaren. Het dient niet gebruikt te worden voor andere doeleinden.
- Typeplaatje met technische specificaties bevindt zich op de linkerbinnenwand in de koelkast.
- Sluit uw koelkast nooit aan op een elektriciteitsbesparingsysteem; dit kan de koelkast beschadigen.
- Als er zich een blauw lampje op de koelkast bevindt dient u hier niet naar te kijken door optische instrumenten.
- Voor handbediende koelkasten wacht u na een stroomonderbreking tenminste 5 minuten voordat u de koelkast in werking stelt.
- Deze gebruikershandleiding moet aan de nieuwe eigenaar van het toestel gegeven worden wanneer het toestel doorgegeven wordt.
- Voorkom het veroorzaken van schade aan de stroomkabel indien u de koelkast verplaatst. Het knikken van de kabel kan brand veroorzaken. Plaats nooit zware voorwerpen op de stroomkabel. Raak de stekker niet aan met natte handen wanneer deze in het stopcontact wordt geplaatst.



- Sluit de koelkast niet aan als het wandcontactdoos los zit.



- Er mag geen water rechtstreeks op de binnen- of buitendelen van het toestel gespreid worden omwille van veiligheidsredenen.
- Spray geen substanties die ontvlambaar gas bevatten, zoals propaangas, in de buurt van de koelkast om brand en ontploffingsgevaar te voorkomen.
- Plaats nooit bakjes met water bovenop de koelkast, want deze kunnen elektrische schokken of brand veroorzaken.
- Overvul uw koelkast niet met overmatige hoeveelheden voedsel. In geval van overbelasting kunnen bij opening van de deur de voedselwaren naar beneden vallen en u bezeren en de koelkast beschadigen. Plaats nooit voorwerpen bovenop de koelkast; deze voorwerpen kunnen bij opening of sluiting van de koelkastdeur naar beneden vallen.
- Omdat vaccins, hittegevoelige medicatie, wetenschappelijke materialen, enz. een nauwkeurige temperatuur vereisen dienen deze niet in koelkast bewaard te worden.
- Als de koelkast voor een langere tijd niet wordt gebruikt dient de stekker uit het stopcontact te worden getrokken. Een mogelijk probleem in de stroomkabel kan brand veroorzaken.
- Het stekkeruiteinde dient regelmatig schoongemaakt te worden, want kan anders brand veroorzaken.
- Het stekkeruiteinde moet regelmatig worden schoongemaakt met een droog doek, anders bestaat er brandgevaar.

- De koelkast kan bewegen indien de stelpoten niet juist op de vloer zijn bevestigd. Het juist bevestigen van de stelpoten op de vloer kan voorkomen dat de koelkast beweegt.
- Als u de koelkast optilt dient u dit niet te doen aan de hendel. Anders kan deze breken.
- Indien u uw product naast een andere koelkast of vriezer moet plaatsen, dient de afstand tussen de apparaten minstens 8 cm bedragen. Anders kunnen de aangrenzende zijwanden vochtig worden.

### **Voor producten met een waterdispenser;**

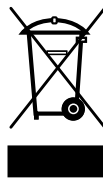
De waterleidingdruk dient minstens 1 bar te bedragen. De waterleidingdruk mag maximaal 8 bar te bedragen.

- Gebruik alleen drinkwater.

### **Kinderbeveiliging**

- Indien de deur een slot heeft, moet de sleutel buiten het bereik van kinderen worden gehouden.
- Kinderen dienen onder toezicht te staan om te voorkomen dat ze aan het product komen.

### **Voldoet aan de WEEE-richtlijn en de richtlijnen voor afvoeren van het restproduct:**



Dit product voldoet aan de EU-richtlijn WEEE (2012/19/EU). Dit product is voorzien van een classificatiesymbool voor afvalsortering van elektrische en elektronische apparatuur (WEEE).

Dit product werd vervaardigd uit onderdelen en materialen van hoge kwaliteit die hergebruikt kunnen worden en geschikt zijn voor recycling. Gooi het restproduct aan het einde van zijn levensduur niet weg bij normaal huishoudelijk of ander afval. Breng het naar een verzamelpunt voor recycling van elektrische en elektronische apparatuur. Raadpleeg uw plaatselijke autoriteiten om te weten waar u deze verzamelpunten aantreft.

### **Voldoet aan de RoHS-richtlijn:**

Het door u aangekochte product voldoet aan de EU-richtlijn RoHS (2011/65/EU). Het bevat geen schadelijke en verboden materialen die in deze richtlijn zijn opgenomen.

### **Verpakkingsinformatie**

Verpakkingsmaterialen van het product zijn vervaardigd van recycleerbare materialen in overeenstemming met onze nationale milieunormen. Gooi het verpakkingsmateriaal niet weg met het huishoudelijke of ander afval. Breng het naar een verzamelpunt voor verpakkingsmateriaal dat is aangesteld door de lokale autoriteiten.

### **HCA-Waarschuwing Indien het koelsysteem van uw product R600a bevat:**

Dit gas is ontvlambaar. Zorg daarom tijdens gebruik en transport dat het koelsysteem en de leidingen niet beschadigd raken. In het geval van beschadiging, uw product buiten bereik van potentiële vuurbronnen houden. Deze kunnen maken dat het product vlam vat. De ruimte waarin het toestel is geplaatst ventileren.

### **U kunt deze waarschuwing negeren als het koelsysteem van uw product R134a bevat.**

Het gastype dat het product gebruikt is aangegeven op het typeplaatje dat zich op de linkerbinnenwand in de koelkast bevindt.

Steek het product om u zich ervan te ontdoen nooit in de brand.

### **Aanwijzingen ter besparing van energie**

- Houd de deuren van uw koelkast niet lang open.
- Plaats geen warme voedingsmiddelen of dranken in de koelkast.
- Overlaad de koelkast niet zodat luchtcirculatie aan de binnenzijde niet geblokkeerd wordt.
- Plaats de koelkast niet in direct zonlicht of naast warmteafgevend apparaten zoals een oven, vaatwasser of radiator.
- Bewaar uw voedingsmiddelen in gesloten bakjes.
- Voor producten met een diepvriesvak; U kunt de maximum hoeveelheid voedselwaren in de diepvriezer bewaren als u het schap of de diepvrieslade verwijdert. De vastgestelde energieverbruikswaarde voor uw koelkast is bepaald bij verwijderd diepvriesschap of -lade en bij maximale lading. Er bestaat geen risico bij het gebruik van een schap of lade volgens de vorm en grootte van de in te vriezen voedingsmiddelen.
- Het ontdooien van ingevroren voedsel in het koelkastgedeelte voorziet in energiebesparing en behoud van de voedselkwaliteit.

### 3 Installatie

⚠ De fabrikant kan niet aansprakelijk worden gesteld indien de informatie van deze gebruiksaanwijzing niet in acht wordt genomen.

#### Aandachtspunten bij het opnieuw transporteren van uw koelkast

1. Voor transport dient de koelkast leeg en schoon te zijn.
2. In verband met schokken moeten de schappen, accessoires, groentelade enz. in uw koelkast met plakband vastgezet worden voordat de koelkast opnieuw wordt verpakt.
3. Verpakking moet worden vastgebonden met dikke tape en sterke touwen en de transportregels, gedrukt op de verpakking, moeten opgevolgd worden.

#### Gelieve niet te vergeten...

Ieder gerecycled materiaal is een essentiële bron voor de natuur en onze nationale bronnen.

Indien u een bijdrage wilt leveren aan recycling van verpakkingsmateriaal, kunt u meer informatie krijgen bij de milieu instanties of plaatselijke autoriteiten.

#### Alvorens de inwerkstelling van uw koelkast

Alvorens u uw koelkast gaat gebruiken, controleer of:

1. De binnenzijde van de koelkast schoon is en de luchtcirculatie aan de achterzijde vrij kan plaatsvinden?
2. U kunt de twee plastic wiggen installeren zoals weergegeven in de afbeelding. Plastic wiggen zullen de vereiste afstand geven tussen

uw koelkast en de muur om luchtcirculatie mogelijk te maken. (De geïllustreerde afbeelding is enkel een voorbeeld en komt niet volledig overeen met uw product.)

3. Maak de binnenkant van de koelkast proper, zoals aanbevolen in het hoofdstuk "Onderhoud en reiniging".
4. Steek de stekker van de koelkast in het stopcontact. Wanneer de deur wordt geopend, zal het binnenlichtje aangaan.
5. U zult een geluid horen wanneer de compressor opstart. De vloeistof en de gassen die zich in het koelsysteem bevinden, zouden ook wat lawaai kunnen veroorzaken zelfs wanneer de compressor niet werkt. Dit is normaal.
6. De buitenkant van de koelkast kunnen warm aanvoelen. Dit is normaal. Deze oppervlakken zijn bedoeld om warm te worden om condensvorming te voorkomen.

#### Elektrische aansluiting

Sluit uw product aan in een geaard stopcontact, beschermd door een zekering, met de juiste capaciteit.

Belangrijk:

- De aansluiting moet in naleving zijn met nationale voorschriften.
- De stekker van de stroomkabel moet na installatie eenvoudig bereikbaar zijn.
- De gespecificeerde spanning moet gelijk zijn aan uw netspanning.
- Verlengkabels en meerwegstekkers mogen voor aansluiting niet worden gebruikt.

⚠ Een beschadigde stroomkabel kabel moet door een gekwalificeerd elektricien worden vervangen.

⚠ Het product mag niet in werking worden gesteld voordat het is hersteld! Gevaar op een elektrische schok!

### **Afvoeren van de verpakking**

De verpakkingsmaterialen kunnen gevaarlijk zijn voor kinderen. Houd het verpakkingsmateriaal buiten bereik van kinderen of voer deze af conform afvalinstructies. Gooi het materiaal niet weg bij het normale huishoudelijk afval. De verpakking van uw koelkast is vervaardigd uit herbruikbare materialen.

### **Afvoeren van uw oude koelkast**

Voer uw oude machine af zonder het milieu op enige wijze te schaden.

- U kunt uw bevoegde dealer of het afvalcentrum van uw gemeente raadplegen over het afvoeren van uw koelkast.

Voordat u uw koelkast afvoert, snijd de elektrische stekker af. Indien het apparaat is uitgevoerd met deursluitingen, dit slot dan onbruikbaar maken om kinderen tegen gevaar te beschermen.

### **Plaatsing en installatie**

⚠ Wanneer de toegangsdeur van de kamer waar de koelkast geplaatst moet worden niet breed genoeg is om de koelkast door te voeren, bel dan de bevoegde onderhoudsdienst om de deuren van uw koelkast te verwijderen en de koelkast overdwars door de deur te dragen.

1. Installeer uw koelkast op een eenvoudig bedienbare plaats.
2. Houd uw koelkast weg van hittebronnen, vochtige ruimten en direct zonlicht.
3. Voor een efficiënte werking moet er voldoende luchtventilatie rondom uw koelkast aanwezig zijn.

Indien de koelkast in een nis in de muur wordt geplaatst, moet er een afstand van minstens 5 cm zijn tot het plafond en minstens 5 cm tot de muur. Wanneer de vloer met tapijt bedekt is, moet uw product 2,5 cm van de vloer worden geplaatst.

4. Plaats uw koelkast waterpas op een vlak grondoppervlak om wiebelen te voorkomen.

## **Het binnenlichtje vervangen**

Die Innenbeleuchtung Ihres Kühlschranks sollte ausschließlich vom autorisierten Kundendienst ausgetauscht werden.

Die Glühbirnen für dieses Haushaltsgerät sind für Beleuchtungszwecke nicht geeignet.

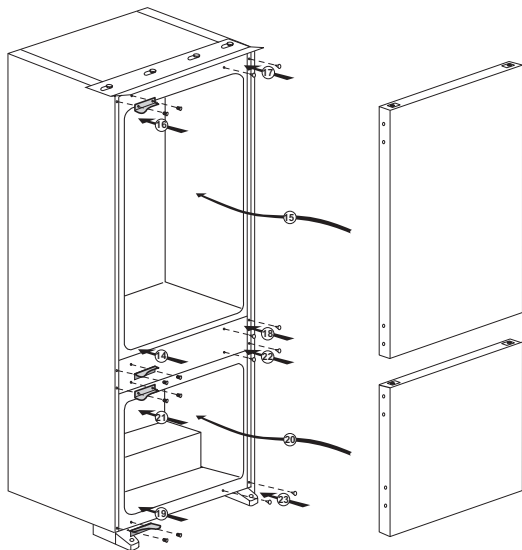
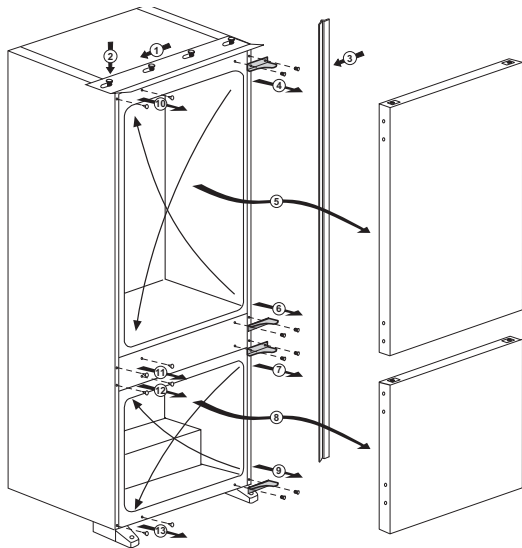
Die beabsichtigte Aufgabe dieser Lampe ist es den Benutzer zu ermöglichen die Plazierung der Lebensmittel in den

Kühlschrank / Eiskühltruhe sicher und bequem vorzunehmen.

Die in diesem Gerät verwendeten Lampen müssen extremen physikalischen Bedingungen, wie z. B. Temperaturen von  $-20^{\circ}\text{C}$ , standhalten.

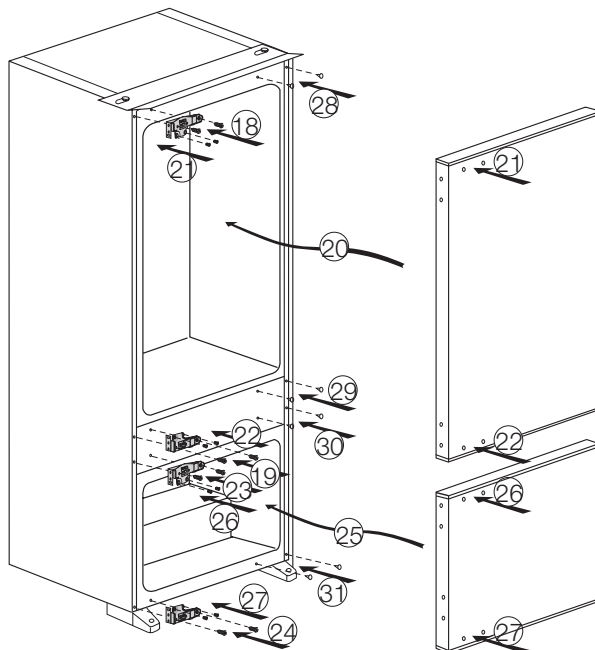
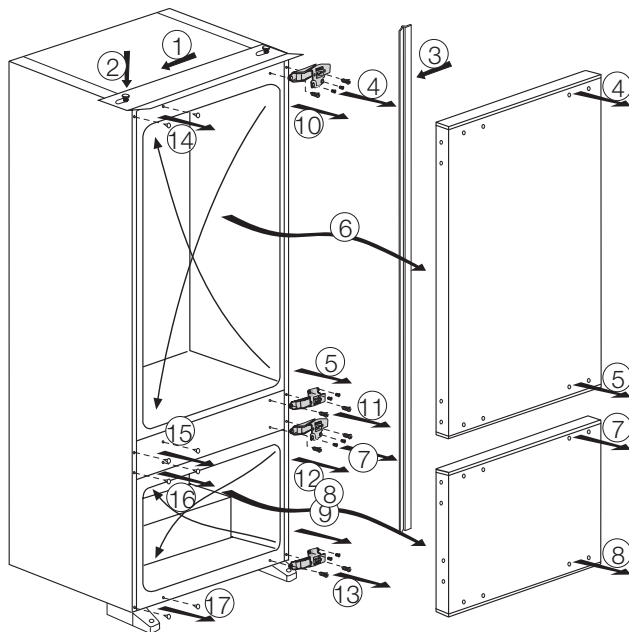
## De deuren omkeren

Ga verder in numerieke volgorde



## De deuren omkeren

Ga verder in numerieke volgorde



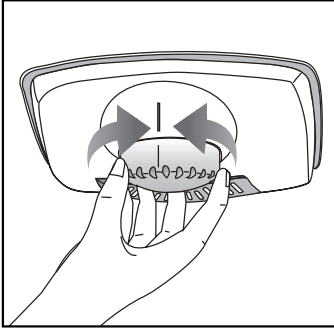
## 4 Voorbereiding

---

- Uw koelkast moet worden geïnstalleerd op minstens 30 cm afstand van warmtebronnen zoals kookplaten, centrale verwarming en kachels en op minstens 5 cm afstand van elektrische ovens. De koelkast mag niet in direct zonlicht worden geplaatst.
- De omgevingstemperatuur van de kamer waarin u de koelkast installeert dient minstens 10°C te zijn. In verband met efficiëntie wordt gebruik van uw koelkast in koudere omstandigheden niet aanbevolen.
- Controleer of de binnenzijde van uw koelkast volledig schoon is.
- Bij installatie van twee koelkasten naast elkaar, moeten de koelkasten op een afstand van minstens 2 cm van elkaar worden geplaatst.
- Wanneer u de koelkast voor de eerste keer in gebruik neemt, gelieve tijdens de eerste zes uur de volgende instructies in acht te houden.
  - De deur niet regelmatig openen.
  - Koelkast moet in bedrijf gesteld worden zonder levensmiddelen.
  - De stekker van de koelkast niet uittrekken. Indien zich een stroomstoring voordoet buiten uw macht, zie de waarschuwingen in het deel "Aanbevolen oplossingen voor problemen".
- Originele verpakking en schuimmaterialen moeten worden bewaard voor toekomstig transport of verhuizen.



## 5 Gebruik van uw koelkast



### Temperatuurstellingsknop

De binnentemperatuur van uw koelkast verandert om de volgende redenen;

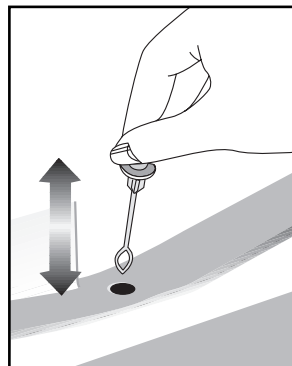
- Seizoentemperaturen,
- Frequent openen van de deur of de deur lang open laten staan,
- Etenswaar dat in de koelkast wordt geplaatst zonder dat deze tot kamertemperatuur is zijn afgekoeld.
- De plaats van de koelkast in de kamer (bijv. blootgesteld aan zonlicht)
- Met de temperatuurstellingsknop kunt u een als gevolg van deze redenen variërende binnentemperatuur aanpassen. De cijfers rond de knop geven de mate van koeling aan.
- Indien de omgevingstemperatuur (kamer of garage) tussen 0°C en -15°C is, bevelen we aan dat u de knop aanpast naar de instelling 4 om -18°C te krijgen in het diepvriescompartiment. U kunt lagere

temperaturen verkrijgen door de instelknop in de maximale stand te zetten.

- Het maximum opslagvolume voor diepvriesvoedsel kan verkregen worden zonder gebruik van het deksel van het bovenste schap in de diepvriezer. Het energieverbruik van uw toestel is vermeld bij volledige lading van het diepvriescompartiment en zonder het gebruik van het deksel van het bovenste schap.

### Ontdooien Koelgedeelte

Het koelkastgedeelte voert een volledige automatische ontdooiing uit. Waterdruppels en een ijslaag van tot 7-8 mm kunnen zich voordoen op de binnenste achterwand van het koelkastgedeelte terwijl uw koelkast aan het koelen is. Zulke ijsvorming is normaal als een resultaat van het koelsysteem. De ijsvorming wordt ontdooid via een automatische ontdooiing met bepaalde tussentijden dankzij het automatische ontdooisysteem van de achterwand. De gebruiker moet de ijsvorming niet wegschrappen of de waterdruppels niet verwijderen.



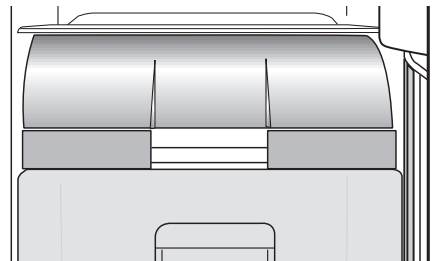
Het water dat afkomstig is van het ontdooien loopt weg via de wateropvanggroef en stroomt in de verdamer via de afvoerleiding en verdampt daar zelf.

Controleer regelmatig om te zien of de afvoerleiding niet verstopt is en ontstop met behulp van een stokje in de opening indien nodig.

Het diepvriesgedeelte ontdooit automatisch.

## Nul-graden-vak

Dit vak werd ontworpen om bevroren voedsel te bewaren dat traag ontdooid moet worden (vlees, vis, kip; enz.). Het nul-graden-vak is de koudste plaats van uw koelkast waar zuivelproducten (kaas, boter), vlees, vis of kip op ideale opslagcondities bewaard kunnen worden. Groenten en/of fruit mogen niet in dit vak geplaatst worden.



## 6 Onderhoud en reiniging

---

- ⚠ Gebruik nooit benzine, benzeen of gelijksoortige substanties voor het reinigingswerk.
- ⚠ Wij bevelen aan dat u de stekker uit het toestel trekt voordat u met reinigen begint.
- ⓘ Gebruik nooit scherpe voorwerpen, zeep, huishoudproducten, afwasmiddel of boenwas om te poetsen.
- ⓘ Gebruik lauwwarm water om de kast van uw koelkast schoon te maken en wrijf deze droog.
- ⓘ Gebruik een vochtige doek, uitgewrongen in een oplossing van één koffielepel natriumbicarbonaat voor 50 cl water, om de binnenkant schoon te maken en wrijf vervolgens droog.
- ⚠ Zorg ervoor dat er geen water in de lamp en andere elektrische onderdelen binnensijpelt.
- ⚠ Als uw koelkast voor een lange periode niet zal worden gebruikt, trek dan de stroomkabel uit, verwijder al de etenswaren, maak de koelkast schoon en laat de deur op een kier staan.
- ⓘ Kijk de deurgrendels regelmatig na om u ervan te vergewissen dat ze proper en vrij van etensresten zijn.

- ⓘ Om deurroosters te verwijderen, verwijder de inhoud en druk het deurrooster vervolgens eenvoudigweg naar boven vanaf de basis.
- ⓘ Gebruik nooit reinigingsmiddelen of water dat chloor bevat om de buitenkant en de verchromde onderdelen van het product te reinigen. Chloor veroorzaakt corrosie op dergelijke metalen oppervlakken.

### Bescherming van de plastic oppervlakken

- ⓘ Plaats geen vloeibare olie of in olie bereide maatlijden in uw koelkast in onafgedichte bakjes. Deze kunnen de plastic oppervlakken van uw koelkast beschadigen. Mocht u olie morsen op de plastic oppervlakken, reinig dit deel van het oppervlak dan direct met warm water en spoel af.

## 7 Aanbevolen oplossingen voor problemen

Controleer de volgende punten voordat u de onderhoudsdienst belt. Dit kan u tijd en geld besparen. Deze lijst omvat regelmatige klachten die niet voortkomen uit defect vakmanschap of materiaalgebruik. Het is mogelijk dat bepaalde functies die hier beschreven zijn niet tot uw product behoren.

De koelkast werkt niet
<ul style="list-style-type: none"><li>• Zit de stekker van de koelkast goed in het stopcontact? Steek de stekker in het stopcontact.</li><li>• Is de zekering van de contactdoos waarop de koelkast is aangesloten of de hoofdzekering gesprongen? Controleer de zekering.</li></ul>
Condensvorming langs de wand van het koelkastgedeelte. (MULTIZONE, COOL CONTROL en FLEXI ZONE).
<ul style="list-style-type: none"><li>• Zeer koude omgevingsomstandigheden. Regelmatig openen en sluiten van de deur. Zeer vochtige omgevingsomstandigheden. Bewaren van voedingsmiddelen met vloeistof in open bakjes. De deur staat op een kier.</li><li>• Zet de thermostaat kouder.</li><li>• Zorg dat de deur minder lang open staat of dat deze minder vaak wordt geopend.</li><li>• Dek de eetwaar die in open bakjes wordt bewaard af met een daarvoor geschikt materiaal.</li><li>• Veeg condens af met een droge doek en controleer of condensvorming aanhoudt.</li></ul>
De compressor draait niet
<ul style="list-style-type: none"><li>• Thermische bescherming van de compressor kan springen gedurende plotselinge stroomuitval of afsluiting van de stroomtoevoer wanneer de druk van het koelmiddel in het koelsysteem van de koelkast niet in balans is.</li><li>• De koelkast gaat na ongeveer 6 minuten draaien. Neem contact op met de onderhoudsdienst wanneer de koelkast na deze periode niet start.</li><li>• De koelkast zit in een ontdooicyclus. Dit is normaal voor volledig automatisch ontdooiende koelkast. Ontdooicyclus vindt periodiek plaats.</li><li>• De stekker van uw koelkast steekt niet in het stopcontact. Controleer of de stekker stevig in het stopcontact is gestoken.</li><li>• Zijn de temperatuurinstellingen goed ingesteld? Er is een stroomstoring. Bel uw elektriciteitsleverancier.</li></ul>

De koelkast werkt frequent of gedurende lange tijd.
<ul style="list-style-type: none"> <li>• Uw nieuwe koelkast kan breder zijn dan de vorige. Dit is normaal. Grote koelkasten werken gedurende langere tijd.</li> <li>• De omgevingstemperatuur kan hoog zijn. Dit is normaal.</li> <li>• De stekker van de koelkast kan onlangs ingestoken zijn of de koelkast kan zijn volgeladen met voedingsmiddelen. Het compleet afkoelen van de koelkast kan enkele uren langer in beslag nemen.</li> <li>• Grote hoeveelheden warm voedingsmiddelen kunnen recentelijk in de koelkast zijn geplaatst. Warme voedingsmiddelen maken dat de koelkast langer werkt tot deze eetwaar de veilige bewaar temperatuur heeft bereikt.</li> <li>• Deuren kunnen regelmatig geopend zijn of gedurende enige tijd op een kier hebben gestaan. De warme lucht die in de koelkast is binnengekomen maakt dat de koelkast langer werkt. Open de deuren minder vaak.</li> <li>• De deur van het diepvries- of koelgedeelte kan op een kier hebben gestaan. Controleer of de deuren goed gesloten zijn.</li> <li>• De koelkast is zeer koud ingesteld. Stel de koelkasttemperatuur hoger en wacht tot de temperatuur wordt bereikt.</li> <li>• Deurafdichting van de koelkast of diepvriezer kan vuil, versleten, gebroken of niet goed geplaatst zijn. Maak de afdichting schoon of vervang deze. Een beschadigde/gebroken afdichting maakt dat de koelkast langer moet werken om de huidige temperatuur te handhaven.</li> </ul>
Diepvriestemperatuur is erg laag terwijl de koelkasttemperatuur voldoende is.
<ul style="list-style-type: none"> <li>• De diepvriestemperatuur is zeer koud ingesteld. Stel de diepvriezertemperatuur hoger in en controleer.</li> </ul>
Koelkasttemperatuur is erg laag terwijl de diepvries temperatuur voldoende is.
<ul style="list-style-type: none"> <li>• De koelkasttemperatuur is zeer koud ingesteld. Stel de koelkasttemperatuur hoger in en controleer.</li> </ul>
Voedingsmiddelen die in laden van koelgedeelte worden bewaard, bevroren.
<ul style="list-style-type: none"> <li>• De koelkasttemperatuur is zeer koud ingesteld. Stel de koelkasttemperatuur hoger in en controleer.</li> </ul>
Temperatuur in de koelkast of diepvriezer is zeer hoog.
<ul style="list-style-type: none"> <li>• De koelkasttemperatuur is zeer hoog ingesteld. Koelkastinstelling is van invloed op de temperatuur van de diepvriezer. Verander de temperatuur van de koelkast of diepvriezer totdat de temperatuur van de koelkast of diepvriezer het gewenste niveau bereikt.</li> <li>• De deur kan op een kier hebben gestaan. Sluit de deur volledig.</li> <li>• Grote hoeveelheden warm voedingsmiddelen kunnen recentelijk in de koelkast zijn geplaatst. Wacht tot de koelkast of diepvriezer de gewenste temperatuur heeft bereikt.</li> <li>• De koelkast kan recentelijk ingeschakeld zijn. Als gevolg van de afmeting, neemt het volledig afkoelen van de koelkast enige tijd in beslag.</li> </ul>

Er komt een geluid uit de koelkast dat lijkt op de secondenwijzers van een analoge klok.
<ul style="list-style-type: none"> <li>• Dit geluid komt uit de magneetklep van de koelkast. De magneetklep werkt met het doel de koeling door het hele gedeelte te garanderen, welke geregeld kan worden op koel- of vriestemperaturen en koelfuncties uit te voeren. Dit is normaal en geen storing.</li> </ul>
Het werkingsgeluid neemt toe wanneer de koelkast werkt.
<ul style="list-style-type: none"> <li>• De werkingskenmerken van de koelkast kunnen veranderen als gevolg van wijzigingen in de omgevingstemperatuur. Dit is normaal en geen defect.</li> </ul>
Vibratie of geluid.
<ul style="list-style-type: none"> <li>• De vloer is niet gelijk of is zwak. De koelkast kantelt een beetje wanneer langzaam wordt bewogen. Zorg dat de vloer gelijk en stevig is en de koelkast kan dragen.</li> <li>• Het geluid kan worden veroorzaakt door voorwerpen die op de koelkast zijn geplaatst. Dergelijke voorwerpen moeten van de bovenkant van de koelkast verwijderd worden.</li> </ul>
Een geluid van morsende of sprayende vloeistof.
<ul style="list-style-type: none"> <li>• Vloeistof- en gasstromen vinden plaats conform de werkingsprincipes van uw koelkast. Dit is normaal en geen defect.</li> </ul>
Een geluid van wind die blaast.
<ul style="list-style-type: none"> <li>• Er worden luchtactivators (ventilatoren) gebruikt om de koelkast efficiënt af te koelen. Dit is normaal en geen defect.</li> </ul>
Condens op de binnenwanden van de koelkast.
<ul style="list-style-type: none"> <li>• Met warm en vochtig weer neemt ijs- en condensvorming toe. Dit is normaal en geen defect.</li> <li>• De deuren staan op een kier. Controleer of de deuren volledig gesloten zijn.</li> <li>• Deuren kunnen regelmatig geopend zijn of gedurende enige tijd open hebben gestaan. Open de deur minder vaak.</li> </ul>
Vocht aan de buitenkant van de koelkast of tussen de deuren.
<ul style="list-style-type: none"> <li>• Het weer kan vochtig zijn. Dit is normaal bij vochtig weer. Wanneer de vochtigheid minder wordt, zal de condens verdwijnen.</li> </ul>
Slechte geur binnenin de koelkast.
<ul style="list-style-type: none"> <li>• De binnenkant van de koelkast moet gereinigd worden. Maak de binnenkant van de koelkast schoon met een spons met warm of sodawater.</li> <li>• Sommige bakjes of verpakkingsmaterialen kunnen de geur veroorzaken. Gebruik een ander bakje of ander soort verpakkingsmateriaal.</li> </ul>

De deur(en) blijft (blijven) niet gesloten.

- Het kan zijn dat voedselpakketjes maken dat de deur niet sluit. Verplaats de pakketjes die de deur belemmeren.
- De koelkast staat niet volledig waterpas op de vloer en wiebelt wanneer deze bewogen wordt. Stel de hoogteschroeven anders in.
- De vloer is niet gelijk of stevig. Zorg dat de vloer vlak is en de koelkast kan dragen.

Groenteladen zitten vast.

- De voedingsmiddelen kunnen de bovenzijde van de lade raken. Herschik de voedingsmiddelen in de lade.

4872610004/AO

1/5

en-de-fr-da-file

[www.beko.com](http://www.beko.com)