



Fully Automatic Espresso Machine

User Manual



CEG 3192 B

EN - DE - FR - TR - ES - CS - IT - PL - RO - SK - RU - NL - AR



01M-8911403200-2721-04

CONTENTS

ENGLISH	3-22
DEUTSCH	23-44
FRANÇAIS	45-65
TÜRKÇE	66-89
ESPAÑOL	90-112
ČESKY	113-132
ITALIANO	133-154
POLSKI	155-177
ROMÂNĂ	178-200
SLOVENSKÝ	201-220
РУССКИЙ	221-244
NEDERLANDS	245-265

Please read this user manual first!

Dear Customers,

Thank you for selecting an Beko product. We hope that you get the best results from your product which has been manufactured with high quality and state-of-the-art technology. Therefore, please read this entire user manual and all other accompanying documents carefully before using the product and keep it as a reference for future use. If you handover the product to someone else, give the user manual as well. Follow all warnings and information in the user manual.

Meanings of the symbols

Following symbols are used in the various section of this manual:



Important information or useful hints about usage.



DANGER: Warning for hazardous situations with regard to life and property.



WARNING: Warning indicates a potentially dangerous situation.



CAUTION: Warning indicates potential material damage.



Materials are intended to be in contact with food.



This product has been produced in environmentally-friendly, state-of-the-art facilities.

It does not contain PCB.

1 Important instructions for safety and environment

This section includes the safety instructions that will help providing protection against personal injury and material loss risks. Failure to follow these instructions invalidates the granted warranty.

1.1 Danger of electric current

Danger to life by electric current!

Contact with live wires or components could lead to serious injury or even death!

Observe the following safety precautions to avoid electric shocks:

- Do not use it if the power cable or the appliance itself is damaged. Contact an authorised service.
- Do not open the housing of the coffee machine. Danger of electric shock if live connections are touched and/or the electrical and mechanical configuration is changed.

- Before cleaning the bean container, pull the mains plug of the appliance out of the socket. Danger from rotating coffee mill!

1.2 Danger of burning or scalding

Parts of the coffee machine can become very hot during operation! Dispensed drinks and escaping steam are very hot!

Observe the following safety precautions to avoid burning/scalding yourself and/or others:

- Do not touch either of the metal sleeves on both coffee spouts.
- Avoid direct contact of the skin with escaping steam or hot rinsing, cleaning and descaling water.

1 Important instructions for safety and environment

1.3 Fundamental safety precautions

Observe the following safety precautions to ensure safe handling of the coffee machine:

- Never play with packaging material. Risk of suffocation. Keep all the packaging materials away from children.
- Inspect the coffee machine for visible signs of damage before use. Do not use a damaged coffee machine. Contact an authorised service.
- If the connecting cable is damaged, it should only be replaced by a service agent recommended by the manufacturer in order to prevent any danger! Please contact the manufacturer or his customer service.
- Repairs to the coffee machine must only be carried out by an authorised specialist or by the works customer service. Unqualified repairs can lead to considerable danger for the user. They will also void the warranty.
- Repairs to the coffee machine during the warranty period may only be carried out by service centres authorised by the manufacturer, otherwise the warranty will become void in the event of subsequent damage.
- Defective parts may only be replaced with original spare parts. Only original spare parts guarantee that the safety requirements are met.
- This appliance can be used by children from the age of 8 up as well as by persons with reduced physical, sensory or mental abilities or with lacking experience and/or knowledge, if these persons are supervised or have been instructed how to use the appliance in a safe way and have understood the hazards which could arise from using it. Children must not play with the appliance. Cleaning and user maintenance shall not be made by children unless they are older than 8 and supervised.

1 Important instructions for safety and environment

- This appliance is intended to be used in household and similar applications such as:
 - staff kitchen areas in shops, offices and other working environments,
 - farm houses,
 - by clients in hotels, motels and other residential type environments,
 - bed and breakfast type environments.
- Protect the coffee machine against the effects of weather such as rain, frost and direct sunlight. Do not use the coffee machine outdoors.
- Never immerse the coffee machine itself, the mains cable or the mains plug into water or other liquids.
- Do not clean the coffee machine or accessories in a dish washer.
- Do not pour any other liquids apart from water or place foodstuffs into the water tank.
- Do not fill the water tank beyond the maximum mark (lower edge of the filling hole).
- Only operate the machine when the waste container, drip tray and the cup grate are fitted.
- Do not pull the cable to remove the plug from the mains socket or touch with wet hands.
- Do not hold the coffee machine with the mains cable.
- Keep the appliance and its cord out of reach of children aged less than 8 years.
- The appliance can only be used to prepare coffee.
- Children should be supervised to ensure that they do not play with the appliance.
- Unplug the appliance before each cleaning and when the appliance is not in use.

1 Important instructions for safety and environment

- Place the appliance in a way so that the plug is always accessible.
- Always use the appliance on a stable, flat, clean dry, and non-slip surface.
- Appliance is not built-in coffee-makers and is not designed use in cabinet. The coffee maker shall not be place in a cabinet when in use.
- Do not squeeze or bend the power cord and do not rub it on sharp edges in order to prevent any damage. Keep the power cord away from hot surfaces and naked flame.
- Your mains power supply should comply with the information supplied on the rating plate of the appliance.
- Use the appliance with a grounded outlet only.
- Do not use the appliance with an extension cord.
- Do not touch the appliance or its plug with wet or damp hands when the appliance is plugged in.

1.4 Intended use

The fully automatic coffee machine Beko is intended for use in homes and similar applications, for instance in staff kitchens, shops, offices and similar areas or by customers in bed & breakfast, hotels, motels and other living accommodation. This coffee machine is not intended for commercial use. The machine is only intended for preparing coffee and heating milk and water. Any other use other than previously stated is considered as improper use.

Danger resulting from improper use!

If not used for its intended purpose or used in any other way, the coffee machine may be or become a source of danger.



WARNING: Therefore, the coffee machine may only be used for its intended purpose.



WARNING: Observe the procedures described in this user manual.

No claims of any kind will be accepted for damage or injury resulting from use of the coffee machine for other than its intended purpose.

The risk has to be borne solely by the machine owner.

1 Important instructions for safety and environment

1.5 Limitation of liability

All technical information, data and instructions on installation, operation and maintenance of the coffee machine contained in these operating instructions represent the current status at the time of printing and are based on the best possible knowledge gained by experience and knowhow.

No claims can be derived from the information, illustrations and descriptions in this user manual.

The manufacturer assumes no liability for damage or injury resulting from failure to observe the user manual, use for other than the intended purpose, unprofessional repairs, unauthorised modifications or use of non-approved spare parts.

1.6 Compliance with the WEEE Directive and Disposing of the Waste Product:

This product complies with EU WEEE Directive (2012/19/EU). This product bears a classification symbol for waste electrical and electronic equipment (WEEE).



This symbol indicates that this product shall not be disposed with other household wastes at the end of its service life. Used device must be returned to official collection point for recycling of electrical and electronic devices. To find these collection systems please contact to your local authorities or retailer where the product was purchased. Each household performs important role in recovering and recycling of old appliance. Appropriate disposal of used appliance helps prevent potential negative consequences for the environment and human health.

1.7 Compliance with RoHS Directive

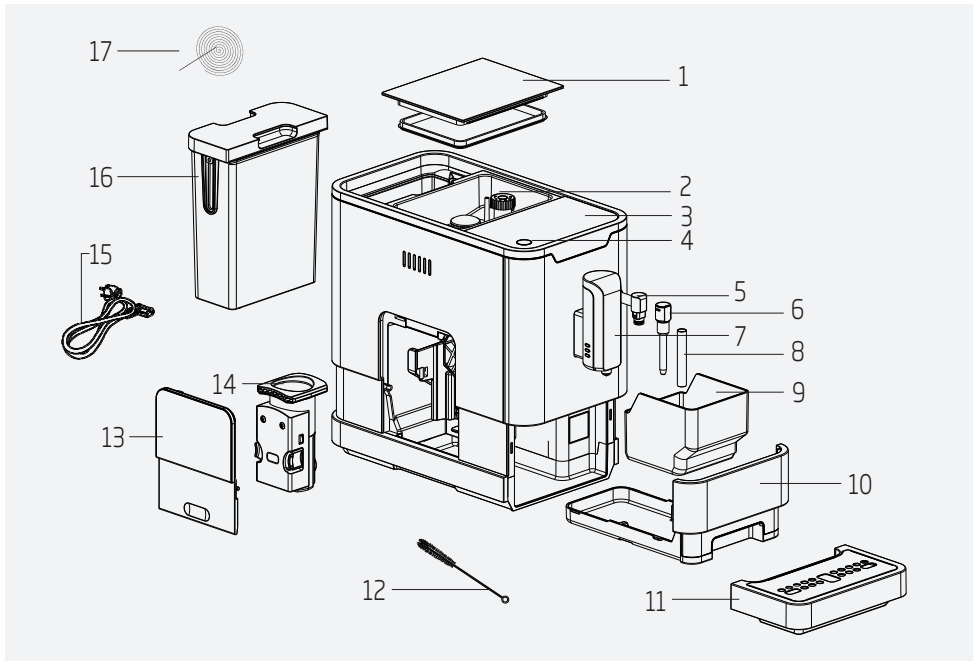
The product you have purchased complies with EU RoHS Directive (2011/65/EU). It does not contain harmful and prohibited materials specified in the Directive.

1.8 Package information



Packaging materials of the product are manufactured from recyclable materials in accordance with our National Environment Regulations. Do not dispose of the packaging materials together with the domestic or other wastes. Take them to the packaging material collection points designated by the local authorities.

2 Your Fully Automatic Coffee Machine



1. Coffee Bean Container Cover
2. Coffee Bean Container
3. Control Panel
4. On/Off button
5. Steam Nozzle
6. Nozzle cover
7. Adjustable coffee spout
8. Metal tube
9. Coffee Grounds Container
10. Internal Drip Tray
11. External Drip Tray
12. Cleanliness brush
13. Service Door
14. Brewer
15. Power cord
16. Water Tank
17. Cleanliness needle

Technical data

Power supply:

220-240 V~, 50-60 Hz



Power: 1350 W

Technical and design modifications reserved.

All declared values on the product and on the printed leaflets are picked up after laboratory measurements performed according to related standards. These values may differ upon usage and ambient conditions.

3 Display

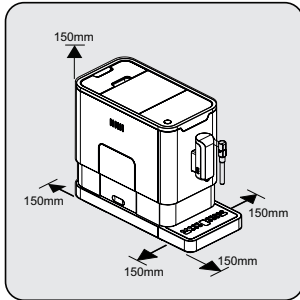
3.1 Control Panel

	Flashing: Low water level/ Water tank missing
	Not enough coffee beans
	Steady warning light: The coffee grounds container is full Flashing light: The internal Drip Tray/coffee grounds container is missing
	Steady warning light: Brewer is missing/ installed improperly Flashing light: Service door is opened / installed improperly
	Steady warning light: Requires descaling Flashing light: Descaling is under way
	Empty System Function is running
	Power ON/OFF Button
	Steam Button
	Hot Water Button
	Strong Espresso Button (25-40 ml coffee with one press on button)
	Mild Espresso Button (51-69 ml coffee with one press on button)

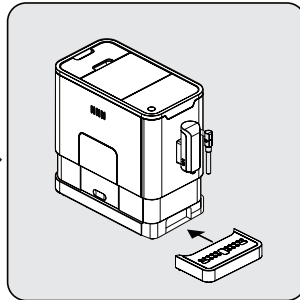
4 Preparation

4.1 Installation

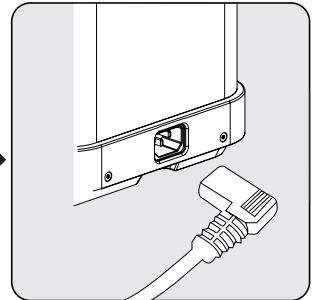
i Remove any protective films, stickers and any other packing material on the appliance.



Choose a safe and stable surface with an easily reachable power supply and allow minimum distance from the sides of the machines.



Insert the external drip tray. Make sure it is inserted correctly.



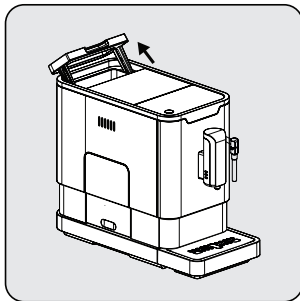
Unwind and straighten the power cord and insert the plug into the socket located on the back of the machine. Insert the other end of the power cord into a wall socket with suitable power voltage.

4.2 Filling the water tank

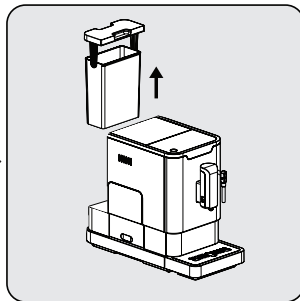
! **About the protect program:** If the water tank is not fully placed into the machine, a protection mode will be activated in 15 seconds during brewing process. Hot water button will lights on control panel.

1. Make sure that the water tank is fully inserted into the machine.
2. Press the hot water button. After the hot water is dispensed, the machine will be in standby condition.

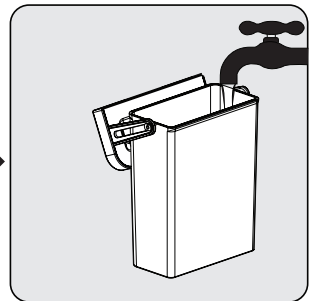
! **WARNING:** When  is flashing, the water tank is at a low water level and requires filling.



Lift the water tank by using the lid as the handle.



Take the water tank out.



Rinse the water tank with fresh water and then fill the tank to the Max level and place it back into the machine. Make sure it is fully inserted.

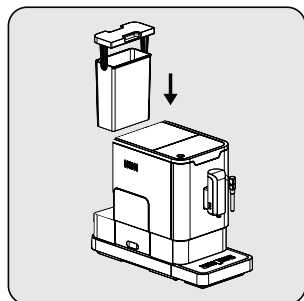
4 Preparation



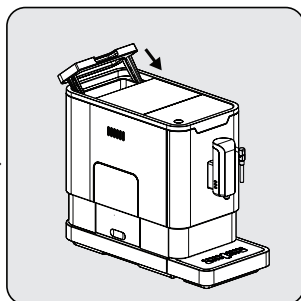
To prevent overflow of water from the water tank, do not add water directly into the appliance with another container.



WARNING: Never fill the water tank with warm or hot water, sparkling water or any other liquid which might damage the water tank and the machine.



Place the water tank back by using the lid as the handle.

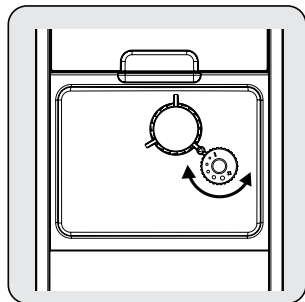


Close the water tank by using the lid.

5 Operation

5.1 Grinding Adjustment

You can adjust the grinder to suit the roast of your coffee by turning the adjuster knob in the bean container:



WARNING: Never adjust the grinder when it is in use.

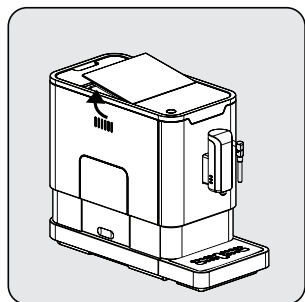


The dots on the adjuster knob indicate the fineness of the grind.

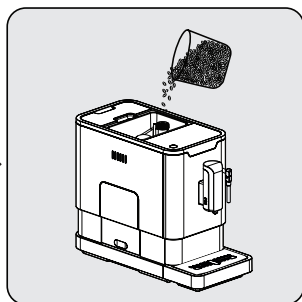
5.2 Filling the bean container



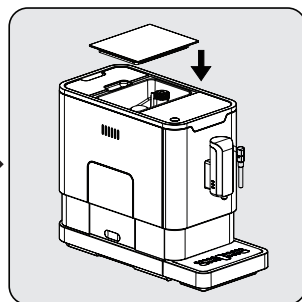
When  is flashing, the appliance needs to be filled with coffee beans.



Remove the bean container lid.



Slowly pour in the coffee beans.



Place the container lid back.

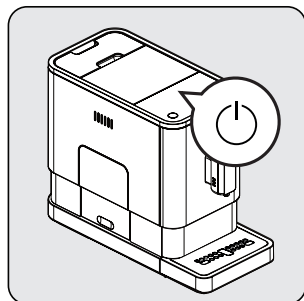


WARNING: Fill the coffee bean container only with coffee beans. Ground coffee, instant coffee, caramelized coffee or any other objects may damage the machine.

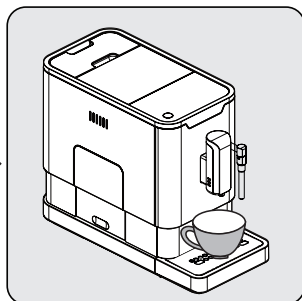
5 Operation

i Press the hot water button to clean the inside of the coffee maker before first use.

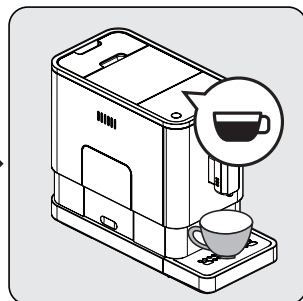
5.3 Making Your Coffee



Switch on the appliance by pressing the power on/off button. The appliance turns on in standby mode and will be ready for use by flowing some hot water from coffee spout.



Place a cup under the coffee spout and adjust the height of the spout to fit the cup.



Press the espresso button and the light will turn on, with the illumination lights indicating that the appliance is preparing a cup of coffee. When the appliance is back on standby, the coffee is ready to serve.

i Switch off the appliance by pressing the power on/off button.

i Press the strong espresso or mild espresso button depending on the taste of coffee you'd prefer.

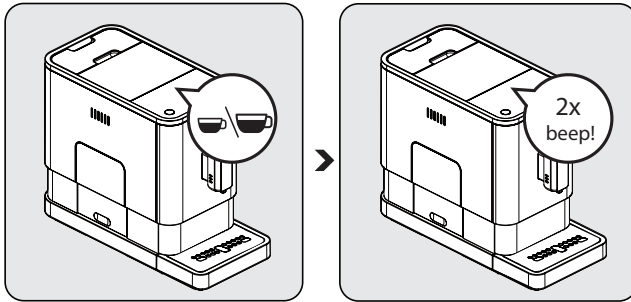
i Press the hot water button to clean the inside of the coffee maker before first use.

i The Appliance is equipped with auto-shut off. Depending on the mode you have selected, the appliance will have different auto-shut off timing.

5 Operation

5.4 Adjusting The Volume of Your Coffee/Hot Water

You can save your desired volume of coffee for both strong espresso and mild espresso and also the hot water from 25ml to 250ml.



When making your coffee (either strong espresso or mild espresso) press and hold the button you selected. The appliance will continue to make the cup of coffee while holding on the button.

When the volume of coffee meets your desired volume, release the button. If you hear two beeps, that indicates the machine has saved the volume of coffee that you prefer.

To reset to the default/factory settings;

In order to reset to the default settings of coffee and hot water volume selection recorded in memory, it is necessary to reset to the factory settings.

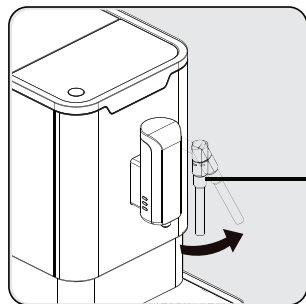
1. When the device is off, remove the inner and outer drip pans,
2. Remove the service cover,
3. Remove the carafe,
4. Place the service cover,
5. Press down the on-off key for 5 seconds (It beeps 2 times)
6. Open the service cover,
7. Place the carafe,
8. Close the service cover,
9. Place the drip tray.

It has been resetted to factory settings.

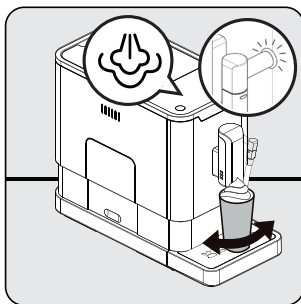
5 Operation

5.5 Preparing Frothy Milk for Coffee

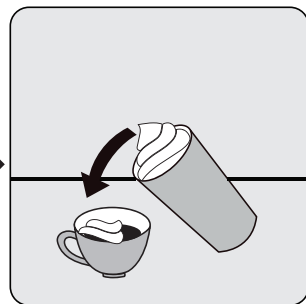
i As the temperature of steam is higher than the temperature of espresso, the espresso should be prepared before making frothy milk. Otherwise the espresso might get burnt.



Prepare the espresso coffee with a larger cup. Turn the steam nozzle toward to the Drip tray.



Press the steam button. The steam indicator light will flash. Then the appliance will heat up and drain the residual water into the Drip Tray or another container. After the steam indicator light stops flashing and stays steady, place a container with milk under the steam nozzle and immerse the steam nozzle about 5cm deep into the container. Swivel the container while the hot steam comes out.



Pour the hot frothy milk into the espresso. Now you can enjoy your coffee!

i After the usage of steam nozzle, please clean the nozzle from the milk residue by wiping away the nozzle with a wet rag.

i It is recommended to remove any milk residue that may accumulate at the tip of the nozzle by activating hot water function from the nozzle.

5.6 Hot Water

The appliance can dispense hot water by simply pressing the hot water button. The hot water button and the illumination lit up indicates that the appliance is heating up the water. When the hot water button and the illumination turn off, the water is ready to serve.

5.7 Mode Selection



The machine has three different settings: the default setting, ECO mode and speed mode. In ECO mode, the appliance saves more energy. In speed mode, the user can make their coffee faster than in the default setting.




5 Operation


	ECO Mode	Speed Mode	Default Setting
Illumination Light	No	Yes	Yes
Pre-brewing*	Yes	No	Yes
Auto shut off time	10mins	30mins	20mins
Cup Volume memory	Yes	Yes	Yes



The pre-brewing function moistens the ground beans in the brewer with a small amount of water before full extraction. This expands the coffee grounds to build up greater pressure in the brewer, which helps extract all the oils and bring out the full flavour of the beans.

1. When the machine is in standby, press and hold the  for 5 seconds.
2. The  will then flash and the next button will have the following indications for different settings:

	Hot water button 	Strong espresso button 	Mild espresso button 
In ECO Mode	Lights On	Flashing	Flashing
In Speed Mode	Yes	No	Flashing
In Default Setting	Flashing	Flashing	Lights On

3. Press the hot water button for ECO mode, strong espresso button for speed mode and mild espresso button for default settings. You'll hear two beeps when the mode has been selected. (Note: If you are pressing the lights on button for each mode, the machine will not respond).
4. If you would like the setting to remain unchanged, press  again or wait for 5 seconds for the machine to return to standby condition.

6 Cleaning

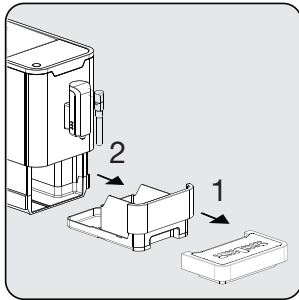
6.1 Cleaning of the appliance

1. Disconnect the power cord from the mains supply outlet.
2. Pour away all the water in the internal and external drip tray.
3. Use a damp cloth or non-scratching cleaner to clean the water stains on the appliance.

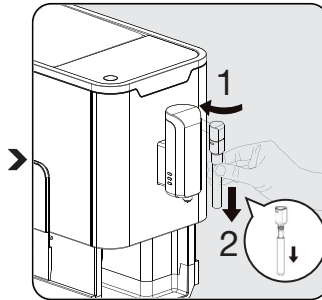


WARNING: Never use any abrasive, vinegar or descaling agents not included in the box to clean the appliance.

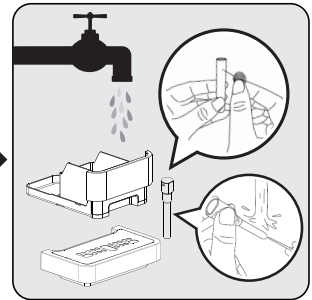
Timely cleaning and maintenance of the appliance is very important in prolonging its life.



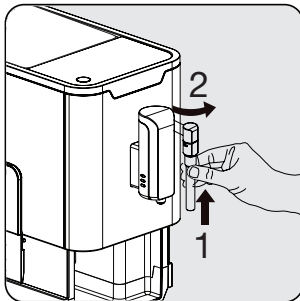
Remove the external drip tray. Slide open the internal drip tray and the coffee grounds container.



Remove metal tube by pulling it down. Then unlock the nozzle cover by turning it to left to disassemble the nozzle cover and metal tube.



Empty the coffee grounds container and external drip tray. Wash the metal tube with warm running water and use needle or bristle of brush to clean the hole. Wash the nozzle cover with warm running water and use needle or bristle of brush to clean the hole. Dry them afterwards.

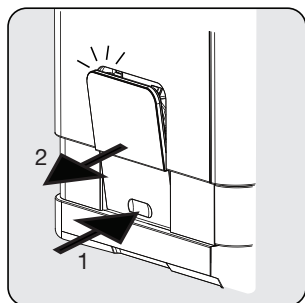


Assembly the metal tube back to the nozzle cover. Then push upward to place the nozzle cover back. And turn it to right to lock it.

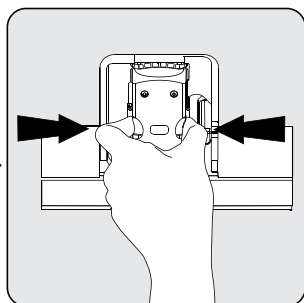


When  lights up, the coffee grounds container needs to be emptied. This icon will light up after every 10 coffee brews. Clean the container to reset the icon. If the container is clean, it will be enough to remove the container and put it back in place.

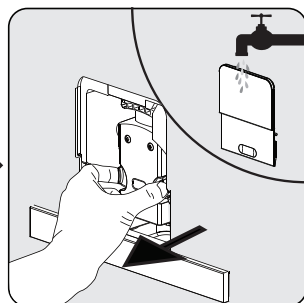
6 Cleaning



Press unlock area, service door will pop out. Then pull out the service door.



Press release knobs and pull out.



Remove the brewer. Wash the brewer with fresh water. Dry the brewer afterwards.



When  lights up, it indicates that the brewer is missing / installed improperly. When  is flashing, it indicates that the service door is missing/installed improperly.

6.2 Self-Cleaning







WARNING: Please wait to finish the self-cleaning process and then switch off the machine.

When  is flashing, it indicates that the appliance needs to undergo self-cleaning. The appliance will remain in the best condition if this function is performed at least once a month or more regularly depending on the hardness of water used. You should also

1. Fully fill the water tank.
2. Add one pack of cleaning agent included in the box to the water tank.






WARNING: Do not use vinegar or other cleaning agents for the self-cleaning of this appliance. The cleaning agent might damage the appliance.

3. Plug in the appliance.
4. Place a sufficiently large container under the coffee spout and nozzle.
5. In standby, press and hold  and the strong espresso button  for 5 seconds. You'll hear a beep with and the strong espresso button  will flash.
6. Press the strong espresso button to confirm the self-cleaning process. To resume back to the standby, press .
7. If it's flashing, that indicates that the appliance is self-cleaning.

6 Cleaning








WARNING: Keep skin/body away from hot water.

8. When all the water in the water tank has been emptied, the  and self cleaning button  will flash. Remove all the remaining solution in the water tank and fill the tank with normal tap water up to the max position. When the tank is full, the  will go off. Then the appliance will continue the self-cleaning process.
9. When the self-cleaning process is completed, the appliance will switch off automatically.

6.3 Empty System Function

Use the empty system function before a long period of non-use, for frost protection, and before talking to a repair agent.






1. In standby condition, press and hold the  and the mild espresso button  together for 5 seconds.
2.  will then start flashing.
3. Remove the water tank from the appliance.  will light up indicating that the empty system is under way. Press  before removing the water tank to return back to the standby.
4. When the empty system function is completed, the appliance will switch off automatically.



WARNING: After performing the EMPTY SYSTEM FUNCTION; press the hot water button until water can come out from the spout when the coffee maker is reused again.

6.4 Manual Rinsing

You can manually rinse to clean the coffee nozzle after use. If the appliance has not been used for a long period of time, a manual rinse may be a good idea.

1. In standby, press and hold the  and the hot water button  together.
2. The hot water button , the strong espresso button  and the mild espresso button  will then go off. The coffee nozzle will then dispense a small amount of water which is used for rinsing.





WARNING: The water that comes out of the coffee nozzle is hot and is collected in the drip tray underneath. Avoid contact as it splashes around.

3. After rinsing, the appliance will return to the standby.

6 Cleaning

Cancelling the auto-clean mode

Your appliance cleans itself automatically before and after each brewing operation. You may follow the steps below to cancel the auto-clean mode.

- Turn on the appliance by pressing the On-Off switch  and wait until it engages the Stand-by position.
- Open the service cover.
- Press the On-Off switch  for 5 seconds, a beep shall be heard.
- Close the service cover.
- Now, the auto-clean operation is cancelled.



We recommend you to use the auto-clean mode actively for a healthy operation.

7 Troubleshooting

Problem	Cause	Solution
The appliance does not work.	The appliance is not connected to the mains.	Plug in and press the switch. Check the cable and the Plug.
No or delayed response in several trials of pressing a function key on the panel	Appliance is under an electromagnetic interference. Dirt over the panel.	Unplug the appliance. Restart after a few minutes Clean the panel with the cloth provided.
The coffee is not hot enough.	The cups have not been preheated. The brewing unit is too cold.	Warm up your cup by using steam function before you make coffee or rinse the cup with hot water. Make sure that the water in the water tank is not too cold.
The coffee cannot come out from spout.	Empty system function maybe used before. Coffee spout may not have been cleaned and blocked by coffee residues.	Press the hot water button until water can come out from the spout. Clean the coffee spout.
The first cup of coffee is poor quality.	The first run of the grinder does not pour a sufficient quantity of coffee into the brewing unit.	Throw the coffee away. The next cups will be better.
The water tank is removed / the water level is very low in the water tank but  there's no alert.	The area near the water tank connector is wet.	Wipe off the water around the water tank connector.
The internal drip tray is filled with a lot of water.	The ground coffee is too fine, which blocks the water from coming out.	Adjust the coffee fineness to bigger dot during grinder operation.
Coffee is delivered too slowly or a drop at a time.	Coffee grounds are too fine, which blocks the water from coming out.	Adjust the coffee fineness to bigger dot during grinder operation.
The indicator flashes that there's not enough coffee beans, but there are plenty inside the container.	The internal coffee grounds outlet is blocked.	Follow the steps described for Cleaning coffee grounds outlet.
The brewer or the coffee ground tray is impossible to remove.	The appliance did not finish the self-cleaning process and was switched off.	Please switch on the machine again and let it finish its auto cleaning process.
The appliance no longer performs the rinsing cycle when switched on or off.	Improper handling when servicing the appliance may be the cause.	1. When the appliance is on, remove the service door. 2. Press and hold the on/off button until you hear 2 beeps. 3. Replace service door.
The touch buttons are not sensitive.	Not pressing the touch button from the front direction of the appliance.	Press the lower bottom part of the icon of the touch button from the front direction of the appliance.

Bitte lesen Sie zuerst dieses Handbuch!

Sehr geehrter Kunde,

vielen Dank, dass Sie sich für ein Beko-Produkt entschieden haben. Wir hoffen, dass Sie mit Ihrem Gerät, das mit hoher Qualität und modernster Technologie hergestellt wurde, die besten Ergebnisse erzielen. Lesen Sie deshalb bitte dieses Benutzerhandbuch und alle anderen mitgelieferten Dokumente sorgfältig durch, bevor Sie das Gerät benutzen, und bewahren Sie es als Hinweis für den zukünftigen Gebrauch auf. Wenn Sie das Gerät an eine andere Person weitergeben, geben Sie auch das Benutzerhandbuch mit. Befolgen Sie alle Warnungen und Informationen im Benutzerhandbuch.

Bedeutungen der Symbole

Die folgenden Symbole werden in verschiedenen Abschnitten dieses Handbuchs verwendet:



Wichtige Informationen oder nützliche Hinweise zur Benutzung.



GEFAHR: Warnung vor gefährlichen Situationen in Bezug auf Leben und Eigentum.



WARNUNG: Warnung weist auf eine möglicherweise gefährliche Situation hin.



VORSICHT! Warnung weist auf mögliche Materialschäden hin.



Die Materialien sind dazu bestimmt, mit Lebensmitteln in Kontakt zu kommen.



Dieses Gerät wurde in umweltfreundlichen, hochmodernen Anlagen hergestellt.

Es enthält kein PCB.

1 Wichtige Hinweise zur Sicherheit und zum Umweltschutz

Dieser Abschnitt enthält die Sicherheitshinweise, die zum Schutz vor Personen- und Materialverlustrisiken beitragen. Nichtbeachtung dieser Anweisungen macht die gewährte Garantie ungültig.

1.1 Gefahr von elektrischem Strom

Lebensgefahr durch elektrischen Strom!

Kontakt mit stromführenden Drähten oder Bauteilen kann zu schweren oder sogar tödlichen Verletzungen führen!

Beachten Sie die folgenden Sicherheitsvorkehrungen, um Stromschläge zu vermeiden:

- Verwenden Sie das Gerät nicht, wenn das Netzkabel und der Stecker beschädigt ist. Kontaktieren Sie den zuständigen Kundendienst.

- Öffnen Sie nicht das Gehäuse der Kaffeemaschine. Stromschlaggefahr bei Berührung unter Spannung stehender Verbindungen und/oder Änderung der elektrischen und mechanischen Konfiguration.
- Ziehen Sie vor dem Reinigen des Bohnenbehälters den Netzstecker des Geräts aus der Steckdose. Gefahr durch rotierende Kaffeemühle!

1.2 Verbrennungs- oder Verbrühungsgefahr

Teile der Kaffeemaschine können sich bei der Benutzung stark erhitzen. Abgegebene Getränke und austretender Dampf sind sehr heiß!

Beachten Sie die folgenden Sicherheitsvorkehrungen, um Verbrennungen/Verbrühungen von sich selbst und/oder anderen zu vermeiden:

1 Wichtige Hinweise zur Sicherheit und zum Umweltschutz

Berühren Sie keine der Metallhülsen an beiden Kaffeeausläufen.

- Vermeiden Sie direkten Hautkontakt mit austretendem Dampf oder heißem Spül-, Reinigungs- und Entkalkungswasser.

1.3 Grundlegende Sicherheitsvorkehrungen

Beachten Sie die folgenden Sicherheitsvorkehrungen, um einen sicheren Umgang mit der Kaffeemaschine zu gewährleisten:

- Spielen Sie niemals mit Verpackungsmaterial. Erstickungsgefahr. Halten Sie das Verpackungsmaterial von Kindern fern!
- Überprüfen Sie die Kaffeemaschine vor dem Gebrauch auf sichtbare Anzeichen von Beschädigungen. Verwenden Sie keine beschädigte Kaffeemaschine. Wenden Sie sich an

einen autorisierten Dienst.

- Wenn das Verbindungskabel beschädigt ist, sollte es nur von einem vom Hersteller empfohlenen Kundendienst ausgetauscht werden, um Gefahren zu vermeiden! Bitte wenden Sie sich an den Hersteller oder seinen Kundendienst.
- Reparaturen an der Kaffeemaschine dürfen nur von einem autorisierten Fachmann oder vom Kundendienst durchgeführt werden. Unqualifizierte Reparaturen können zu erheblichen Gefahren für den Benutzer führen. Sie führen auch zum Erlöschen der Garantie.
- Reparaturen an der Kaffeemaschine während der Garantiezeit dürfen nur von vom Hersteller autorisierten Kundendiensten durchgeführt werden, andernfalls erlischt die Garantie bei späteren Schäden.

1 Wichtige Hinweise zur Sicherheit und zum Umweltschutz

- Defekte Teile dürfen nur durch Originalersatzteile ersetzt werden. Nur Originalersatzteile garantieren, dass die Sicherheitsanforderungen erfüllt werden.
- Dieses Gerät kann von Kindern ab 8 Jahren sowie von Personen mit eingeschränkten körperlichen, sensorischen oder geistigen Fähigkeiten oder mit mangelnder Erfahrung und/oder Kenntnissen verwendet werden, wenn diese Personen beaufsichtigt werden oder in die Verwendung des Geräts eingewiesen wurden einen sicheren Weg und haben die Gefahren verstanden, die durch die Verwendung entstehen können. Kinder dürfen nicht mit dem Gerät spielen. Reinigung und Wartung dürfen nicht von Kindern durchgeführt werden, sofern diese nicht älter als 8 und unbeaufsichtigt sind.
- Dieses Gerät ist ausschließlich zur Verwendung in einem Haushalt und vergleichbaren Einrichtungen gedacht, darunter:
 - Küchenbereiche für Mitarbeiter in Läden, Büros und vergleichbaren Einrichtungen;
 - landwirtschaftlichen Betrieben,
 - von Gästen in Hotels, Motels und anderen wohnungsähnlichen Umgebungen,
 - kleineren Pensionen oder vergleichbaren Einrichtungen.
- Schützen Sie die Kaffeemaschine vor Witterungseinflüssen wie Regen, Frost und direkter Sonneneinstrahlung. Verwenden Sie die Kaffeemaschine nicht im Freien.
- Tauchen Sie die Kaffeemaschine selbst, das Netzkabel oder den Netzstecker niemals in Wasser oder andere Flüssigkeiten.

1 Wichtige Hinweise zur Sicherheit und zum Umweltschutz

- Reinigen Sie die Kaffeemaschine oder das Zubehör nicht in einer Spülmaschine.
- Geben Sie keine anderen Flüssigkeiten als Wasser ein und geben Sie keine Lebensmittel in den Wassertank.
- Füllen Sie den Wassertank nicht über die maximale Markierung (Unterkante der Einfüllöffnung) hinaus.
- Betreiben Sie die Maschine nur, wenn der Abfallbehälter, die Tropfschale und der Taschenrost montiert sind.
- Ziehen Sie nicht am Kabel, um den Stecker aus der Steckdose zu ziehen, und berühren Sie ihn nicht mit nassen Händen.
- Halten Sie die Kaffeemaschine nicht mit dem Netzkabel fest.
- Bewahren Sie das Gerät und sein Kabel außerhalb der Reichweite von Kindern unter 8 Jahren auf.
- Betreiben Sie die Heißwasserfunktion nicht kontinuierlich für mehr als einen Wassertank.
- Das Gerät kann nur zur Zubereitung von Kaffee verwendet werden.
- Kinder müssen beaufsichtigt werden, um dafür zu sorgen, dass sie nicht mit dem Gerät spielen.
- Ziehen Sie den Netzstecker vor jeder Reinigung und wenn das Gerät nicht in Gebrauch ist.
- Das Gerät muss derart aufgestellt werden, dass der Stecker zugänglich ist..
- Verwenden Sie das Gerät immer auf einer stabilen, flachen, sauberen, trockenen und rutschfesten Oberfläche.
- Das Gerät ist keine Einbau-Kaffeemaschine und nicht für die Verwendung im Schrank vorgesehen. Die Kaffeemaschine darf während des

1 Wichtige Hinweise zur Sicherheit und zum Umweltschutz

Gebrauchs nicht in einem Schrank aufgestellt werden.

- Quetschen oder biegen Sie das Netzkabel nicht und reiben Sie es nicht an scharfen Kanten, um Beschädigungen zu vermeiden. Halten Sie das Netzkabel von heißen Oberflächen und offener Flamme fern.
- Ihr Netzteil sollte den Angaben auf dem Typenschild des Geräts entsprechen.
- Verwenden Sie das Gerät nur mit einer geerdeten Steckdose.
- Verwenden Sie das Gerät nicht mit einem Verlängerungskabel.
- Berühren Sie das Gerät oder seinen Stecker nicht mit nassen oder feuchten Händen, wenn das Gerät eingesteckt ist.

1.4 Verwendungszweck

Die vollautomatische Kaffeemaschine Beko ist für den Einsatz in Privathaushalten und ähnlichen Anwendungen vorgesehen, beispielsweise in Personalküchen, Geschäften, Büros und ähnlichen Bereichen oder von Kunden in Bed & Breakfast, Hotels, Motels und anderen Wohnräumen. Diese Kaffeemaschine ist nicht für den gewerblichen Gebrauch bestimmt. Die Maschine ist nur zum Zubereiten von Kaffee und zum Erhitzen von Milch und Wasser vorgesehen. Jede andere als die zuvor angegebene Verwendung gilt als unsachgemäße Verwendung.

Gefahr bei unsachgemäßer Verwendung!

Wenn die Kaffeemaschine nicht für den vorgesehenen Zweck oder auf andere Weise verwendet wird, kann oder wird sie eine Gefahrenquelle.



WARNUNG: • Deswegen sollte die Kaffeemaschine nur für den vorgesehenen Zweck verwendet werden.



WARNUNG: Beachten Sie die in dieser Bedienungsanleitung beschriebenen Verfahren.

Es werden keine Ansprüche jeglicher Art für Schäden oder Verletzungen akzeptiert, die durch die Verwendung der Kaffeemaschine für einen anderen als den beabsichtigten Zweck entstehen.

Das Risiko trägt allein der Maschinenbesitzer.

1 Wichtige Hinweise zur Sicherheit und zum Umweltschutz

1.5 Haftungsbeschränkung

Alle in dieser Bedienungsanleitung enthaltenen technischen Informationen, Daten und Anweisungen zur Installation, zum Betrieb und zur Wartung der Kaffeemaschine geben den aktuellen Stand zum Zeitpunkt des Drucks wieder und basieren auf den bestmöglichen Kenntnissen aus Erfahrung und Know-how.

Aus den Informationen, Abbildungen und Beschreibungen in dieser Bedienungsanleitung können keine Ansprüche abgeleitet werden.

Der Hersteller übernimmt keine Haftung für Schäden oder Verletzungen, die durch Nichtbeachtung des Benutzerhandbuchs, Verwendung für andere als den vorgesehenen Zweck, unprofessionelle Reparaturen, nicht autorisierte Änderungen oder Verwendung nicht zugelassener Ersatzteile entstehen.

1.6 Einhaltung der WEEE-Richtlinie und Entsorgung des Abfallproduktes:

Dieses Gerät entspricht der EU WEEE-Richtlinie (2012/19/EU). Dieses Gerät trägt das Klassifizierungssymbol für Elektro- und Elektronik-Altgeräte (WEEE).



Dieses Symbol zeigt an, dass dieses Produkt am Ende seiner Lebensdauer nicht zusammen mit anderen Haushaltsabfällen entsorgt werden darf. Gebrauchte Geräte müssen zum

Recycling von elektrischen und elektronischen Geräten an einer offiziellen Sammelstelle abgegeben werden. Um diese Sammelsysteme zu finden, wenden Sie sich bitte an Ihre örtlichen Behörden oder den Händler, bei dem das Produkt gekauft wurde. Jeder Haushalt spielt eine wichtige Rolle bei der Rückgewinnung und dem Recycling von Altgeräten. Die richtige Entsorgung Ihrer Altgeräte hilft, potenziell schädliche Umweltauswirkungen und mögliche Gesundheitsgefahren zu verhindern.

1.7 Einhaltung der RoHS-Richtlinie

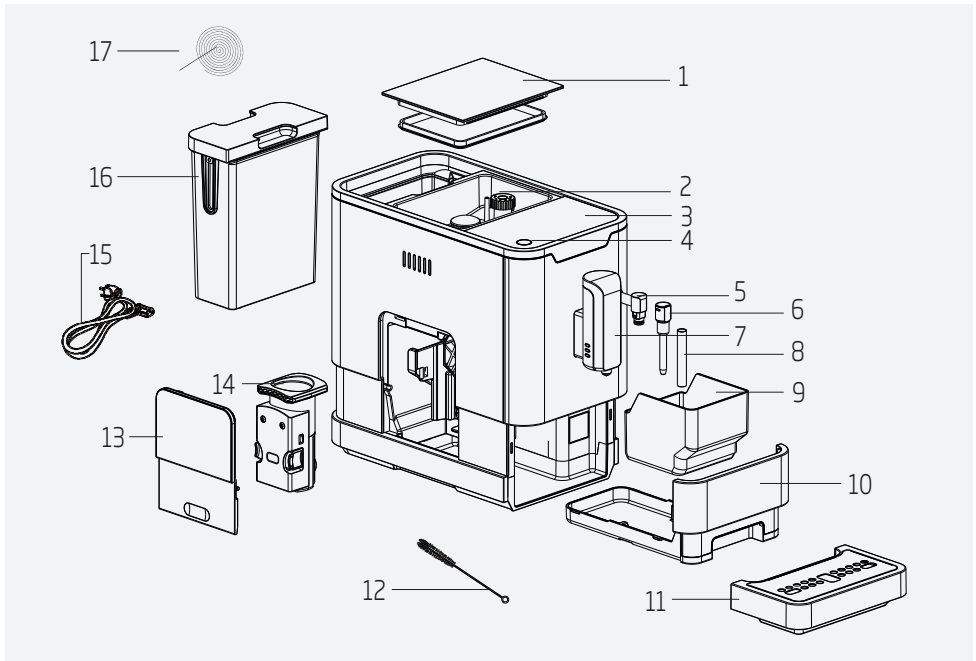
Das von Ihnen gekaufte Produkt entspricht der EU RoHS Richtlinie (2011/65/EU). Sie enthält keine schädlichen und verbotenen Materialien, die in der Richtlinie aufgeführt sind.

1.8 Informationen zum Paket



Die Verpackungsmaterialien des Produkts werden in Übereinstimmung mit unseren nationalen Umweltvorschriften aus wiederverwertbaren Materialien hergestellt. Entsorgen Sie das Verpackungsmaterial nicht zusammen mit dem Hausmüll oder anderen Abfällen. Bringen Sie es zu einer von den örtlichen Behörden eingerichteten Sammelstelle für Verpackungsmaterial.

2 Ihre vollautomatische Kaffeemaschine



1. Kaffeebohnenbehälterdeckel
2. Kaffeebohnenbehälter
3. Bedienfeld
4. Ein-/Aus-Taste
5. Dampfdüse
6. Düsenabdeckung
7. Einstellbarer Kaffeeauslauf
8. Metallrohr
9. Kaffeesatzbehälter
10. Interne Tropfschale
11. Externe Tropfschale
12. Reinigungsbürste
13. Servicetür
14. Brauer
15. Netzkabel
16. Wassertank
17. Säuberungsnadel

Technische Daten

Stromversorgung:

220-240 V~, 50-60 Hz












Strom: 1350 W

Technische und Designänderungen vorbehalten.

Alle auf dem Produkt und auf den gedruckten Packungsbeilagen angegebenen Werte werden nach Labormessungen gemäß den entsprechenden Standards erfasst. Diese Werte können je nach Einsatz und Umgebungsbedingungen abweichen.

3 Display

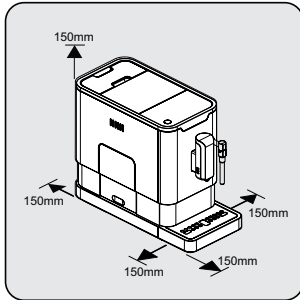
3.1 Kontrollfeld

	Blinkt: Niedriger Wasserstand/Wassertank fehlt
	Nicht genug Kaffeebohnen
	Dauerwarnleuchte: Der Kaffeesatzbehälter ist voll Blinklicht: Der interne Tropfschale/Kaffeesatzbehälter fehlt
	Dauerwarnleuchte: Brauer fehlt/ist nicht richtig installiert Blinklicht: Die Servicetür ist nicht ordnungsgemäß geöffnet/installiert
	Dauerwarnleuchte: Erfordert Entkalkung Blinklicht: Die Entkalkung ist im Gange
	Leere Systemfunktion wird ausgeführt
	Power EIN-/AUS-Taste
	Dampfgler
	Heißwassertaste
	Starker Espressoknopf (25-40 ml Kaffee mit einem Druckknopf)
	Milder Espressoknopf (51-69 ml Kaffee mit einem Druckknopf)

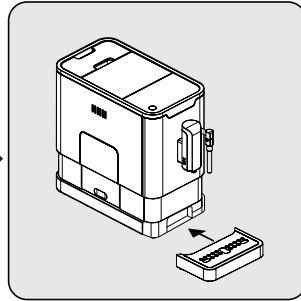
4 Vorbereitung

4.1 Installation

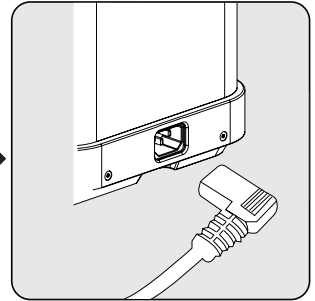
i Entfernen Sie alle Schutzfolien, Aufkleber und sonstigen Verpackungsmaterialien vom Gerät.



Wählen Sie eine sichere und stabile Oberfläche mit leicht erreichbarer Stromversorgung und lassen Sie einen Mindestabstand von den Seiten der Maschinen ein.



Setzen Sie die externe Tropfschale ein. Stellen Sie sicher, dass es richtig eingesetzt ist.



Wickeln Sie das Netzkabel ab, richten Sie es aus und stecken Sie den Stecker in die Buchse auf der Rückseite des Geräts. Stecken Sie das andere Ende des Netzkabels in eine Steckdose mit geeigneter Netzspannung.


4.2 Füllen des Wassertanks



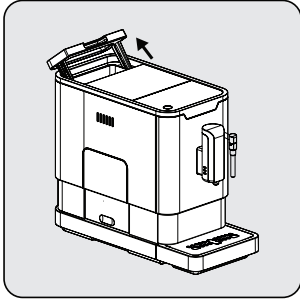
Über das Schutzprogramm: Wenn der Wassertank nicht vollständig in die Maschine eingesetzt ist, wird während des Brauvorgangs innerhalb von 15 Sekunden ein Schutzmodus aktiviert. Die Warmwassertaste leuchtet auf dem Bedienfeld auf.

1. Stellen Sie sicher, dass der Wassertank vollständig in die Maschine eingesetzt ist.
2. Drücken Sie die Heißwassertaste. Nachdem das heiße Wasser abgegeben wurde, befindet sich die Maschine im Standby-Zustand.

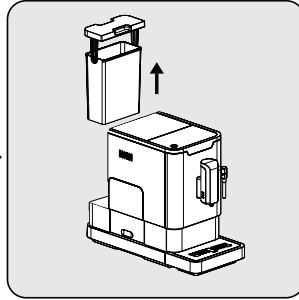


WARNUNG: Wenn  blinkt, befindet sich der Wassertank auf einem niedrigen Wasserstand und muss gefüllt werden.

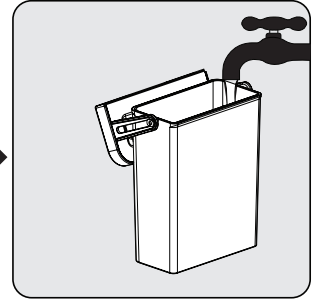
4 Vorbereitung



Heben Sie den Wassertank an, indem Sie den Deckel als Griff verwenden.



Nehmen Sie den Wassertank heraus.



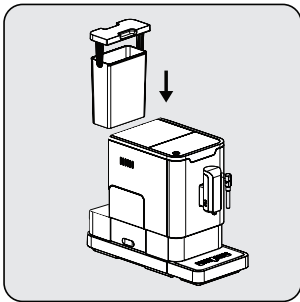
Spülen Sie den Wassertank mit frischem Wasser aus, füllen Sie den Tank bis zum Höchststand und stellen Sie ihn wieder in die Maschine. Stellen Sie sicher, dass es vollständig eingesetzt ist.



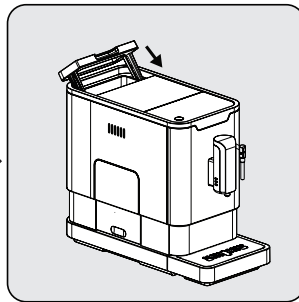
Um ein Überlaufen von Wasser aus dem Wassertank zu verhindern, geben Sie kein Wasser mit einem anderen Behälter direkt in das Gerät.



WARNUNG: Füllen Sie den Wassertank niemals mit warmem oder heißem Wasser, Sprudelwasser oder anderen Flüssigkeiten, die den Wassertank und die Maschine beschädigen könnten.



Setzen Sie den Wassertank wieder ein, indem Sie den Deckel als Griff verwenden.

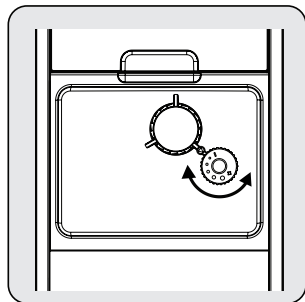


Schließen Sie den Wassertank mit dem Deckel.

5 Bedienung

5.1 Mahleinstellung

Sie können die Mühle an den Röst Ihres Kaffees anpassen, indem Sie den Einstellknopf im Bohnenbehälter drehen:



WARNUNG: Stellen Sie die Mühle niemals ein, wenn sie verwendet wird.

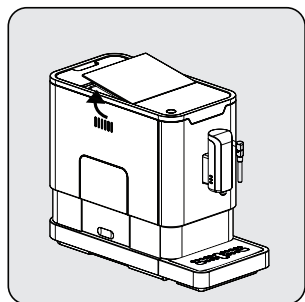


Die Punkte auf dem Einstellknopf zeigen die Feinheit des Schleifens an.

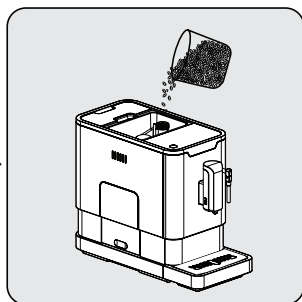
5.2 Bohnenbehälter füllen



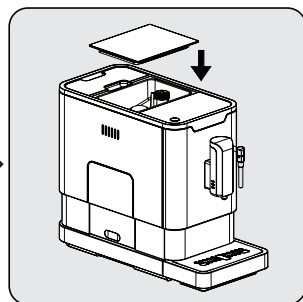
Wenn  blinkt, muss das Gerät mit Kaffeebohnen gefüllt werden.



Entfernen Sie den Deckel des Bohnenbehälters.



Geben Sie die Kaffeebohnen langsam ein.



Setzen Sie den Behälterdeckel wieder auf.

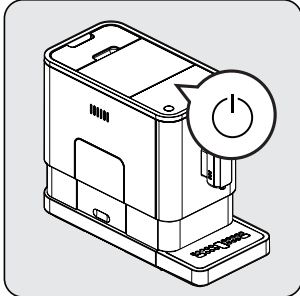


WARNUNG: Füllen Sie den Kaffeebohnenbehälter nur mit Kaffeebohnen. Gemahlener Kaffee, Instantkaffee, karamellisierter Kaffee oder andere Gegenstände können die Maschine beschädigen.

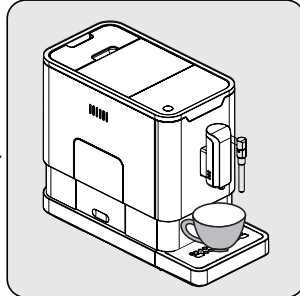
5 Bedienung

i Drücken Sie die Heißwassertaste, um das Innere der Kaffeemaschine vor dem ersten Gebrauch zu reinigen.

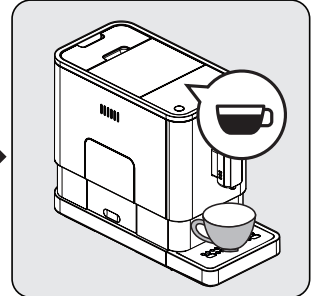
5.3 Ihr Kaffee zubereiten



Schalten Sie das Gerät durch Drücken der Ein-/Aus-Taste ein. Das Gerät schaltet sich im Standby-Modus ein und ist betriebsbereit, indem heißes Wasser aus dem Kaffeeauslauf fließt.



Stellen Sie eine Tasse unter den Kaffeeauslauf und stellen Sie die Höhe des Auslaufs so ein, dass er in die Tasse passt.



Drücken Sie die Espressotaste und das Licht geht an. Die Beleuchtungslichter zeigen an, dass das Gerät eine Tasse Kaffee zubereitet. Wenn das Gerät wieder in Bereitschaft ist, ist der Kaffee fertig zum Servieren.

i Schalten Sie das Gerät durch Drücken der Ein-/Aus-Taste aus.

i Drücken Sie die Taste für starken Espresso oder milden Espresso, je nachdem, welchen Kaffeegeschmack Sie bevorzugen.

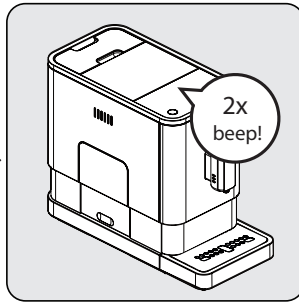
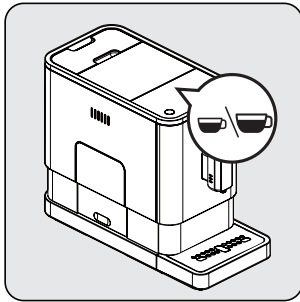
i Drücken Sie die Heißwassertaste, um das Innere der Kaffeemaschine vor dem ersten Gebrauch zu reinigen.

i Das Gerät ist mit einer automatischen Abschaltung ausgestattet. Abhängig von dem von Ihnen ausgewählten Modus verfügt das Gerät über unterschiedliche Zeitpunkte für die automatische Abschaltung.

5.4 Anpassen der Lautstärke Ihres Kaffees/Heißwassers

Sie können Ihre gewünschte Kaffeemenge sowohl für starken Espresso als auch für milden Espresso und auch für heißes Wasser von 25 ml bis 250 ml speichern.

5 Bedienung



Halten Sie bei der Zubereitung Ihres Kaffees (entweder starker Espresso oder milder Espresso) die ausgewählte Taste gedrückt. Das Gerät kocht weiterhin Kaffee, während Sie die Taste gedrückt halten.

Wenn die Kaffeemenge Ihrer gewünschten Menge entspricht, lassen Sie die Taste los. Wenn Sie zwei Pieptöne hören, bedeutet dies, dass das Gerät die von Ihnen bevorzugte Kaffeemenge gespeichert hat.

Um auf die Standard-/Werkseinstellungen zurückzusetzen;

Um die im Speicher aufgezeichneten Standardeinstellungen der Kaffee- und Heißwassermengenauswahl zurückzusetzen, ist es notwendig, auf die Werkseinstellungen zurückzusetzen.

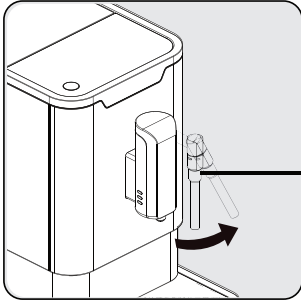
1. Wenn das Gerät ausgeschaltet ist, entfernen Sie die innere und äußere Auffangwanne,
2. Entfernen Sie die Servierabdeckung,
3. Entfernen Sie die Karaffe,
4. Platzieren Sie die Servierabdeckung,
5. Drücken Sie die Ein-Aus-Taste 5 Sekunden lang (es piept 2 Mal)
6. Öffnen Sie die Servierabdeckung,
7. Stellen Sie die Karaffe auf,
8. Schließen Sie die Servierabdeckung,
9. Setzen Sie die Tropfschale ein.

Es wurde auf Werkseinstellungen zurückgesetzt.

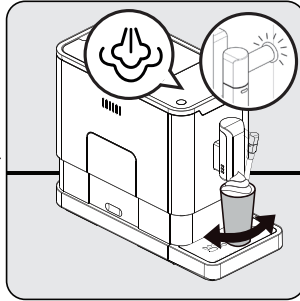
5 Bedienung

5.5 Schaummilch für Kaffee zubereiten

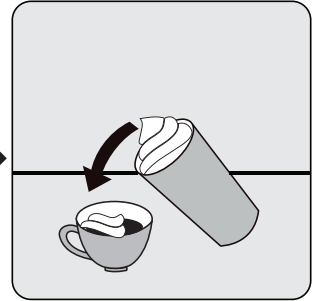
i Da die Dampftemperatur höher als die Espressotemperatur ist, sollte der Espresso vor der Herstellung von schaumiger Milch zubereitet werden. Andernfalls könnte der Espresso verbrannt werden.



Bereiten Sie den Espresso mit einer größeren Tasse zu. Drehen Sie die Dampfdüse in Richtung der Tropfschale.



Drücken Sie die Dampftaste. Die Dampfanzeige blinkt. Dann erwärmt sich das Gerät und lässt das restliche Wasser in die Tropfschale oder einen anderen Behälter ab. Nachdem die Dampfanzeige nicht mehr blinkt und ruhig bleibt, stellen Sie einen Behälter mit Milch unter die Dampfdüse und tauchen Sie die Dampfdüse etwa 5 cm tief in den Behälter ein. Drehen Sie den Behälter, während der heiße Dampf austritt.



Gießen Sie die heiße schaumige Milch in den Espresso. Jetzt können Sie Ihren Kaffee genießen!

i Reinigen Sie die Düse nach der Verwendung der Dampfdüse von den Milchresten, indem Sie die Düse mit einem feuchten Lappen abwischen.

i Es wird empfohlen, Milchreste, die sich an der Spitze der Düse ansammeln können, durch Aktivieren der Heißwasserfunktion aus der Düse zu entfernen.

5.6 Heißwasser

Das Gerät kann heißes Wasser durch einfaches Drücken der Heißwassertaste abgeben. Die Heißwassertaste und die leuchtende Beleuchtung zeigen an, dass das Gerät das Wasser aufheizt. Wenn sich die Heißwassertaste und die Beleuchtung ausschalten, ist das Wasser fertig zum servieren.

5.7 Modusauswahl



Das Gerät verfügt über drei verschiedene Einstellungen: Standardeinstellung, ECO-Modus und Geschwindigkeitsmodus. Im ECO-Modus spart das Gerät mehr Energie. Im Geschwindigkeitsmodus kann der Benutzer seinen Kaffee schneller als in der Standardeinstellung zubereiten.


5 Bedienung


	Energiesparmodus	Geschwindigkeitsmodus	Voreinstellung
Beleuchtungslicht	Nein	Ja	Ja
Vorbrauen*	Ja	Nein	Ja
Automatische Abschaltzeit	10 Min	30 Min	20 Min
Tassenmengenspeicher	Ja	Ja	Ja



Die Vorbraufunktion befeuchtet die gemahlene Bohne im Brauer vor der vollständigen Extraktion mit einer kleinen Menge Wasser. Dies erweitert den Kaffeesatz, um einen höheren Druck im Brauer aufzubauen, wodurch alle Öle extrahiert und der volle Geschmack der Bohne hervorgehoben werden.

1. Wenn sich das Gerät im Standby-Modus befindet, halten Sie  5 Sekunden lang gedrückt.
2.  blinkt dann und die nächste Taste zeigt die folgenden Anzeigen für verschiedene Einstellungen an:

	Heißwassertaste 	Starker Espressoknopf 	Milder Espressoknopf 
Im ECO-Modus	Lichter an	Blinkt	Blinkt
Im Geschwindigkeitsmodus	Ja	Nein	Blinkt
In der Standardeinstellung	Blinkt	Blinkt	Lichter an

3. Drücken Sie die Heißwassertaste für den ECO-Modus, den starken Espressoknopf für den Geschwindigkeitsmodus und den milden Espressoknopf für die Standardeinstellungen. Sie hören zwei Pieptöne, wenn der Modus ausgewählt wurde. (Hinweis: Wenn Sie für jeden Modus die Licht-Ein-Taste drücken, reagiert das Gerät nicht.)
4. Wenn Sie möchten, dass die Einstellung unverändert bleibt, drücken Sie erneut  oder warten Sie 5 Sekunden, bis das Gerät in den Standby-Zustand zurückkehrt.

6 Reinigung

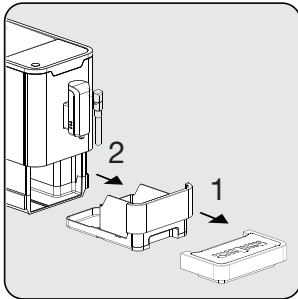
6.1 Reinigung des Gerätes

1. Ziehen Sie das Netzkabel aus der Steckdose.
2. Gießen Sie das gesamte Wasser in die interne und externe Tropfschale.
3. Verwenden Sie ein feuchtes Tuch oder einen kratzfesten Reiniger, um die Wasserflecken auf dem Gerät zu entfernen.

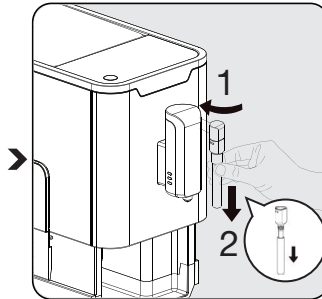


WARNUNG: Verwenden Sie zum Reinigen des Geräts niemals Schleifmittel, Essig oder Entkalkungsmittel, die nicht im Lieferumfang enthalten sind.

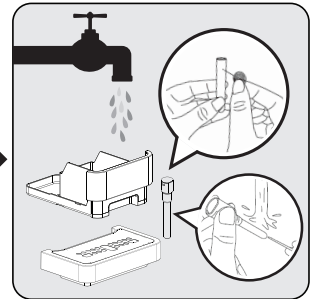
Die rechtzeitige Reinigung und Wartung des Geräts ist sehr wichtig, um seine Lebensdauer zu verlängern.



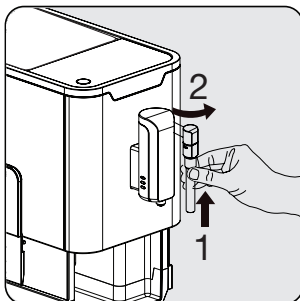
Entfernen Sie die externe Tropfschale. Schieben Sie die interne Tropfschale und den Kaffeesatzbehälter auf.



Entfernen Sie das Metallrohr, indem Sie es nach unten ziehen. Entriegeln Sie dann die Düsenabdeckung, indem Sie sie nach links drehen, um die Düsenabdeckung und das Metallrohr zu zerlegen.




Leeren Sie den Kaffeesatzbehälter und die externe Auffangschale. Waschen Sie das Metallrohr mit warmem fließendem Wasser und reinigen Sie das Loch mit einer Nadel oder einer Bürste. Waschen Sie den Düsendeckel mit warmem fließendem Wasser und reinigen Sie das Loch mit Nadel oder Bürstenborste. Trocknen Sie sie anschließend.

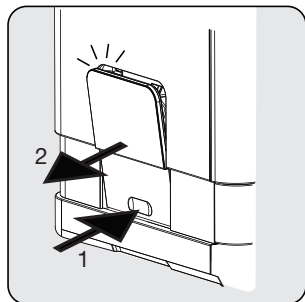


Montieren Sie das Metallrohr wieder an der Düsenabdeckung. Drücken Sie dann nach oben, um die Düsenabdeckung wieder aufzusetzen. Und drehen Sie es nach rechts, um es zu verriegeln.

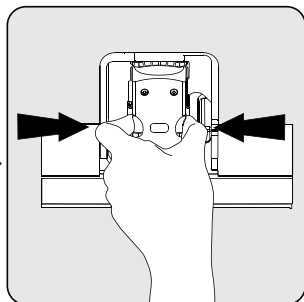
6 Reinigung



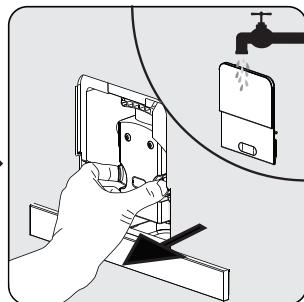
Wenn  aufleuchtet, muss der Kaffeesatzbehälter geleert werden. Dieses Symbol leuchtet nach jeweils 10 Kaffeezubereitungen auf. Reinigen Sie den Behälter, um das Symbol zurückzusetzen. Wenn der Behälter sauber ist, reicht es aus, den Behälter zu entfernen und wieder aufzusetzen.



Drücken Sie den Entriegelungsbereich, die Servicetür springt heraus. Ziehen Sie dann die Servicetür heraus.





Drücken Sie die Entriegelungsknöpfe ziehen Sie sie heraus.



Entfernen Sie den Brauer. Waschen Sie den Brauer mit frischem Wasser. Trocknen Sie den Brauer anschließend.




Wenn  aufleuchtet, zeigt dies an, dass der Brauer fehlt/nicht ordnungsgemäß installiert wurde. Wenn  blinkt, zeigt dies an, dass die Servicetür fehlt/nicht ordnungsgemäß installiert wurde.

6.2 Selbstreinigung



WARNUNG: Bitte warten Sie, bis der Selbstreinigungsvorgang abgeschlossen ist, und schalten Sie die Maschine aus.

Wenn  blinkt, bedeutet dies, dass das Gerät selbst gereinigt werden muss. Das Gerät bleibt in bestem Zustand, wenn diese Funktion mindestens einmal im Monat oder häufiger ausgeführt wird, abhängig von der verwendeten Wasserhärte. Sie sollten auch

1. den Wassertank vollständig füllen.
2. Geben Sie eine Packung Reinigungsmittel in die Box in den Wassertank.



WARNUNG: Verwenden Sie zur Selbstreinigung dieses Geräts keinen Essig oder andere Reinigungsmittel. Das Reinigungsmittel kann das Gerät beschädigen.

3. Schließen Sie das Gerät an.
4. Stellen Sie einen ausreichend großen Behälter unter den Kaffeeauslauf und die Düse.

6 Reinigung

5. Halten Sie im Standby-Modus (⏻) und den starken Espresso-Knopf (☞) 5 Sekunden lang gedrückt. Sie hören einen Piepton mit und der starke Espresso-Knopf (☞) blinkt.
6. Drücken Sie den starken Espresso-Knopf, um den Selbstreinigungsvorgang zu bestätigen. Drücken Sie (⏻), um zum Standby zurückzukehren.
7. Wenn es blinkt, bedeutet dies, dass das Gerät sich selbst reinigt.



WARNUNG: Halten Sie Haut/Körper von heißem Wasser fern.

8. Wenn das gesamte Wasser im Wassertank geleert wurde, blinkt (💧) und die Selbstreinigungstaste (🔄). Entfernen Sie die gesamte verbleibende Lösung im Wassertank und füllen Sie den Tank bis zur Maximalposition mit normalem Leitungswasser. Wenn der Tank voll ist, erlischt (💧). Dann setzt das Gerät den Selbstreinigungsvorgang fort.
9. Wenn der Selbstreinigungsvorgang abgeschlossen ist, schaltet sich das Gerät automatisch aus.

6.3 Leeres System-Funktion

Verwenden Sie die Funktion des leeren Systems vor einer längeren Nichtbenutzung, zum Schutz vor Frost und bevor Sie mit einem Reparaturpersonal sprechen.

1. Halten Sie im Standby-Zustand (⏻) und den milden Espresso-Knopf (☞) 5 Sekunden lang gleichzeitig gedrückt
2. (🔄) beginnt dann zu blinken.
3. Entfernen Sie den Wassertank vom Gerät. (🔄) leuchtet auf, um anzuzeigen, dass das leere System in Betrieb ist. Drücken Sie (⏻), bevor Sie den Wassertank entfernen, um in den Standby-Modus zurückzukehren.
4. Wenn die Funktion leeres System abgeschlossen ist, schaltet sich das Gerät automatisch aus.



WARNUNG: Drücken Sie nach dem Ausführen der LEERES SYSTEM-FUNKTION, die Heißwassertaste, bis Wasser aus dem Auslauf austreten kann.

6.4 Manuelles Spülen

Sie können die Kaffeedüse nach Gebrauch manuell ausspülen, um sie zu reinigen. Wenn das Gerät längere Zeit nicht benutzt wurde, ist eine manuelle Spülung möglicherweise eine gute Idee.

1. Halten Sie im Standby-Modus (⏻) und die Heißwassertaste (☞) gleichzeitig gedrückt.
2. Die Heißwassertaste (☞), der starke Espresso-Knopf (☞) und der milde Espresso-Knopf (☞) gehen dann aus. Die Kaffeedüse gibt dann eine kleine Menge Wasser ab, das zum Spülen verwendet wird.



WARNUNG: Das aus der Kaffeedüse austretende Wasser ist heiß und wird in der darunter liegenden Tropfschale gesammelt. Vermeiden Sie Kontakt, da es herumspritzt.

3. Nach dem Spülen kehrt das Gerät in den Standby-Modus zurück.

6 Reinigung

Abbrechen des Modus automatische Reinigung

Ihr Gerät reinigt sich vor und nach jedem Brühvorgang automatisch. Sie können die folgenden Schritte ausführen, um den automatischen Reinigungsmodus abzubrechen.

- Schalten Sie das Gerät durch Drücken des Ein-Aus-Schalters ein und warten Sie, bis es in die Standby-Position einrastet.
- Öffnen Sie die Serviceabdeckung.
- Drücken Sie den Ein-Aus-Schalter 5 Sekunden lang. Es ertönt ein Piepton.
- Schließen Sie die Serviceabdeckung.
- Jetzt wird die automatische Reinigung abgebrochen.



Wir empfehlen Ihnen, den automatischen Reinigungsmodus für einen fehlerfreien Betrieb aktiv zu verwenden.

7 Problembehandlung

Problem	Ursache	Lösung
Das Gerät funktioniert nicht.	Das Gerät ist nicht an das Stromnetz angeschlossen.	Schließen Sie es an und drücken Sie den Schalter. Überprüfen Sie das Kabel und den Stecker.
Keine oder verzögerte Reaktion in mehreren Versuchen, beim Drücken auf eine Funktionstaste auf dem Bedienfeld.	Das Gerät ist elektromagnetischen Störungen ausgesetzt. Schmutz auf dem Bedienfeld.	Ziehen Sie den Geränetzstecker. Nach einigen Minuten neu starten. Reinigen Sie das Bedienfeld mit dem mitgelieferten Tuch.
Der Kaffee ist nicht heiß genug.	Die Tassen wurden nicht vorgewärmt. Die Braueinheit ist zu kalt.	Wärmen Sie Ihre Tasse mit der Dampffunktion auf, bevor Sie Kaffee kochen oder die Tasse mit heißem Wasser abspülen. Stellen Sie sicher, dass das Wasser im Wassertank nicht zu kalt ist.
Der Kaffee kann nicht aus dem Auslauf kommen.	Die Leeres System-Funktion kann vorher verwendet werden. Der Kaffeeauslauf wurde möglicherweise nicht gereinigt und durch Kaffeereste blockiert.	Drücken Sie die Heißwassertaste, bis Wasser aus dem Auslauf austreten kann. Reinigen Sie den Kaffeeauslauf.
Die erste Tasse Kaffee ist von schlechter Qualität.	Beim ersten Durchlauf der Mühle wird nicht genügend Kaffee in die Braueinheit gegossen.	Werfen Sie den Kaffee weg. Die nächsten Tassen werden besser sein.
Der Wassertank ist entfernt/der Wasserstand im Wassertank ist sehr niedrig, aber  es ist keine Warnung vorhanden.	Der Bereich in der Nähe des Wassertankanschlusses ist nass.	Wischen Sie das Wasser um den Wassertankanschluss herum ab.
Die interne Tropfschale ist mit viel Wasser gefüllt.	Der gemahlene Kaffee ist zu fein, wodurch das Wasser nicht austreten kann.	Stellen Sie die Kaffeefeinheit während des Mahlvorgangs auf einen größeren Punkt ein.
Kaffee wird zu langsam oder tropfenweise geliefert.	Kaffeesatz ist zu fein, wodurch das Wasser nicht austreten kann.	Stellen Sie die Kaffeefeinheit während des Mahlvorgangs auf einen größeren Punkt ein.
Die Anzeige blinkt, dass nicht genügend Kaffeebohnen vorhanden sind, sich jedoch viel im Behälter befindet.	Der interne Kaffeesatzauslass ist blockiert.	Befolgen Sie die unter Reinigen des Kaffeesatzauslasses beschriebenen Schritte.
Der Brauer oder das Kaffeepulver ist nicht zu entfernen.	Das Gerät hat den Selbstreinigungsvorgang nicht beendet und wurde ausgeschaltet.	Bitte schalten Sie die Maschine erneut ein und lassen Sie sie ihre automatische Reinigung beenden.
Das Gerät führt den Spülzyklus beim Ein- und Ausschalten nicht mehr durch.	Eine unsachgemäße Handhabung bei der Wartung des Geräts kann die Ursache sein.	1. Wenn das Gerät eingeschaltet ist, entfernen Sie die Servicetür. 2. Halten Sie die Ein-/Aus-Taste gedrückt, bis Sie 2 Pieptöne hören. 3. Servicetür ersetzen.
Die Touch-Tasten sind nicht empfindlich.	Drücken Sie die Touch-Taste nicht an der Vorderseite in Richtung des Geräts.	Drücken Sie den unteren Teil des Symbols der Touch-Taste aus der vorderen Richtung des Geräts.

Vertriebsniederlassung Österreich für Beko Kleingeräte:

Elektra Bregenz AG
Pfarrgasse 77
A-1230, Wien



<http://at.beko.com/>

Sehr geehrter Kunde!

Vielen Dank, dass Sie sich für ein Qualitätsprodukt von Beko entschieden haben!

Unsere Geräte werden nach den neuesten technischen Erkenntnissen entwickelt, produziert und geprüft.

Sollte trotzdem eine Störung auftreten, so bitten wir Sie, sich mit Ihrem **Fachhändler** bzw. mit der Verkaufsstelle in Verbindung zu setzen.

Gewährleistungsansprüche können **nicht direkt bei Beko** geltend gemacht werden! Behalten Sie deshalb immer Ihre Verkaufsquittung als Beleg.

Wir danken Ihnen, für Ihr Vertrauen und wünschen Ihnen viel Freude mit Ihrem neuen Produkt!

Veillez d'abord lire ce manuel d'utilisation !

Cher Client,

Merci d'avoir choisi un produit Beko. Nous espérons que vous obtenez les meilleurs résultats de votre appareil qui est fabriqué avec une haute qualité et une technologie de pointe. Par conséquent, veuillez lire attentivement ce manuel d'utilisation et tous les autres documents d'accompagnement avant d'utiliser l'appareil et conservez-le comme référence pour une utilisation future. Si vous donnez l'appareil à une autre personne, donnez-lui également le manuel d'utilisation. Prêtez attention à tous les avertissements et informations figurant dans ce manuel.

Signification des symboles

Les symboles suivants sont utilisés dans les différentes sections de ce manuel:



Informations importantes ou consignes utiles relatives à l'utilisation.



DANGER : Avertissement pour des situations à risque concernant la vie et les biens.



AVERTISSEMENT : L'avertissement indique une situation potentiellement dangereuse.



ATTENTION : L'avertissement indique un dommage matériel potentiel.



Les matériaux sont destinés à être en contact avec les aliments.



Ce produit a été fabriqué dans des installations de pointe respectueuses de l'environnement.

Il ne contient pas de PCB.

1 Consignes importantes sur la sécurité et l'environnement

Ce chapitre contient les instructions de sécurité qui vous aideront à éviter les risques de blessures corporelles ou de dégâts matériels. Le non-respect de ces instructions entraînera l'annulation de toute garantie.

1.1 Danger lié au courant électrique

Danger mortel lié au courant électrique ! Danger mortel en cas de contact avec des lignes ou des composants sous tension ! Respectez les consignes de sécurité suivantes pour éviter tout danger lié au courant électrique :

- N'utilisez pas l'appareil si le cordon d'alimentation et la fiche sont endommagés. Contactez un centre de service agréé.
- N'ouvrez en aucun cas le boîtier de l'appareil. Il existe un risque de choc électrique si les raccords conducteurs de courant sont touchés et si l'instal-

lation électrique et mécanique est modifiée.

- Danger lorsque le broyeur est en rotation ! Avant de nettoyer le réservoir à grains, débrancher l'appareil de la prise secteur.

1.2 Risque de brûlures

Des pièces de l'appareil peuvent être très chaudes lors du fonctionnement !

Respectez les consignes de sécurité suivantes afin de ne pas vous brûler ou de brûler d'autres personnes :

- Ne touchez pas les douilles métalliques sur les deux orifices d'écoulement de café.
- Éviter tout contact de la peau avec la vapeur sortante et de l'eau de rinçage, de nettoyage et de détartage chaude sortante.

1 Consignes importantes sur la sécurité et l'environnement

1.3 Consignes de sécurité fondamentales

Pour une utilisation en toute sécurité de l'appareil, respectez les consignes de sécurité suivantes :

- Ne jouez jamais avec l'emballage. Risque de suffocation. Tenez tous les emballages hors de la portée des enfants.
- Contrôlez la machine à café avant de l'utiliser pour détecter les signes visibles de dommages. N'utilisez pas une machine à café endommagée. Contactez un service agréé.
- En cas d'endommagement du cordon d'alimentation, le faire impérativement remplacer par un centre de réparation agréé par le fabricant afin de prévenir tout danger! Veuillez vous adresser au fabricant ou à son service clientèle.
- Faites effectuer les réparations sur l'appareil uniquement par des revendeurs spécialisés agréés ou par le service après-vente. Des réparations non conformes peuvent engendrer des risques considérables pour l'utilisateur. De plus, le droit à garantie ne pourra s'appliquer.
- Une réparation de l'appareil durant la période de garantie doit être effectuée uniquement par l'un des SAV agréés par le fabricant, dans le cas contraire les dommages consécutifs ne sont plus couverts par la garantie.
- Les composants défectueux doivent être remplacés uniquement par des pièces de rechange d'origine. Seules ces pièces garantissent que les exigences de sécurité sont remplies.

1 Consignes importantes sur la sécurité et l'environnement

- Cet appareil peut être utilisé par des enfants âgés d'au moins 8 ans et par des personnes ayant des capacités physiques, sensorielles ou mentales réduites ou dénuées d'expérience ou de connaissance, s'ils (si elles) sont correctement surveillé(es) ou si des instructions relatives à l'utilisation de l'appareil en toute sécurité leur ont été données et si les risques encourus ont été appréhendés. Les enfants ne doivent pas jouer avec l'appareil. Le nettoyage et l'entretien par l'utilisateur ne doivent pas être effectués par des enfants sans surveillance.
- Cet appareil est destiné à un usage domestique ou pour d'autres applications semblables, par exemple:
 - dans des cuisinettes pour employés de magasins, bureaux et autres domaines professionnels
 - dans des propriétés agricoles
 - par les clients dans les hôtels, motels et autres domaines industriels
 - dans des chambres d'hôte
- Tenir l'appareil à l'écart de la pluie, de l'humidité et des sources de chaleur.
- Ne plongez jamais l'appareil, le câble d'alimentation ou la fiche dans l'eau ou d'autres liquides.
- Ne nettoyez pas l'appareil ou les accessoires au lave-vaisselle.
- Ne mettez pas d'autres liquides ou aliments que de l'eau dans le réservoir à eau.
- Ne remplissez pas le réservoir à eau au-delà du repère Max. (bord inférieur de l'orifice de remplissage) avec de l'eau.
- N'utilisez l'appareil qu'après avoir installé le bac à marc de café, le bac d'écoulement et la grille support de tasses.

1 Consignes importantes sur la sécurité et l'environnement

- Débranchez toujours le câble d'alimentation en tirant la fiche de la prise et non en tirant le câble et évitez d'avoir les mains humides.
- Ne portez pas l'appareil par le câble d'alimentation.
- Gardez l'appareil et ses câbles d'alimentation hors de portée des enfants de moins de 8 ans.
- L'appareil ne peut être utilisé que pour préparer du café.
- Surveillez toujours les enfants pour vous s'assurer qu'ils ne jouent pas avec l'appareil.
- Débranchez l'appareil avant chaque nettoyage et lorsque vous ne l'utilisez pas.
- Placez l'appareil de manière à ce que la fiche soit toujours accessible.
- Utilisez toujours l'appareil sur une surface stable, plane, propre, sèche et antidérapante.
- L'appareil n'est pas une cafetière intégrée et n'est pas conçu pour être utilisé dans une armoire. La cafetière ne doit pas être placée dans une armoire lorsqu'elle est utilisée.
- Afin d'éviter tout dommage, n'écrasez pas ou ne pliez pas le cordon d'alimentation et ne le frottez pas sur des bords tranchants. Éloignez-le des surfaces et des flammes nues.
- Votre alimentation secteur doit être conforme aux informations fournies sur la plaque signalétique de l'appareil.
- N'utilisez l'appareil qu'avec une prise de terre.
- N'utilisez pas l'appareil avec une rallonge.
- Ne touchez pas l'appareil ou sa fiche avec les mains mouillées ou humides lorsqu'il est branché.

1 Consignes importantes sur la sécurité et l'environnement

1.4 Utilisation conforme

Cette appareil Beko est destiné uniquement à un usage domestique ou similaire :

- les cuisinettes d'employés
- bureaux
- les chambres meublées

Cet appareil n'est pas approprié pour les utilisations commerciales.

Le fabricant ne répond pas d'éventuels dégâts découlant d'un usage impropre de l'appareil.

Cette cafetière Beko est fabriqué pour préparer du café et

réchauffer des boissons. Toute autre utilisation n'est pas conforme.

Danger lié à une utilisation non conforme !

En cas d'utilisation non conforme et/ou d'une utilisation autre, des dangers peuvent émaner de l'appareil.



Le fabricant ne répond pas d'éventuels dégâts découlant d'une utilisation non conforme.

1.5 Limites de la responsabilité

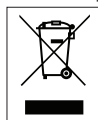
Toutes les données, indications et informations techniques concernant l'installation, le fonctionnement et l'entretien contenues dans ce manuel correspondent aux informations et connaissances détenues au moment de l'impression du présent manuel.

Aucune exigence ne peut donc être revendiquée sur la base des indications, illustrations ou descriptions contenues dans ce mode d'emploi.

Le fabricant ne peut être tenu responsable des dommages liés au non respect du mode d'emploi, de réparations non conformes, de modifications non autorisées ou de l'utilisation de pièces de rechange non admises.

1.6 Conformité avec la directive DEEE et mise au rebut des déchets :

Ce produit est conforme à la directive DEEE (2012/19/UE) de l'Union européenne). Ce produit porte un symbole de classification pour la mise au rebut des équipements électriques et électroniques (DEEE).



Ce symbole indique que ce produit ne doit pas être jeté avec les déchets ménagers à la fin de sa vie utile. Les appareils usagés doivent être retournés au point de collecte officiel destiné au recyclage des appareils électriques et électroniques. Pour trouver ces systèmes de collecte, veuillez contacter les autorités locales ou le détaillant auprès duquel vous avez acheté le produit. Chaque ménage joue un rôle important dans la récupération et le recyclage des appareils ménagers usagés. L'élimination appropriée des appareils usagés aide à prévenir les conséquences négatives potentielles pour l'environnement et la santé humaine.

1 Consignes importantes sur la sécurité et l'environnement

1.7 Conformité avec la directive LdSD :

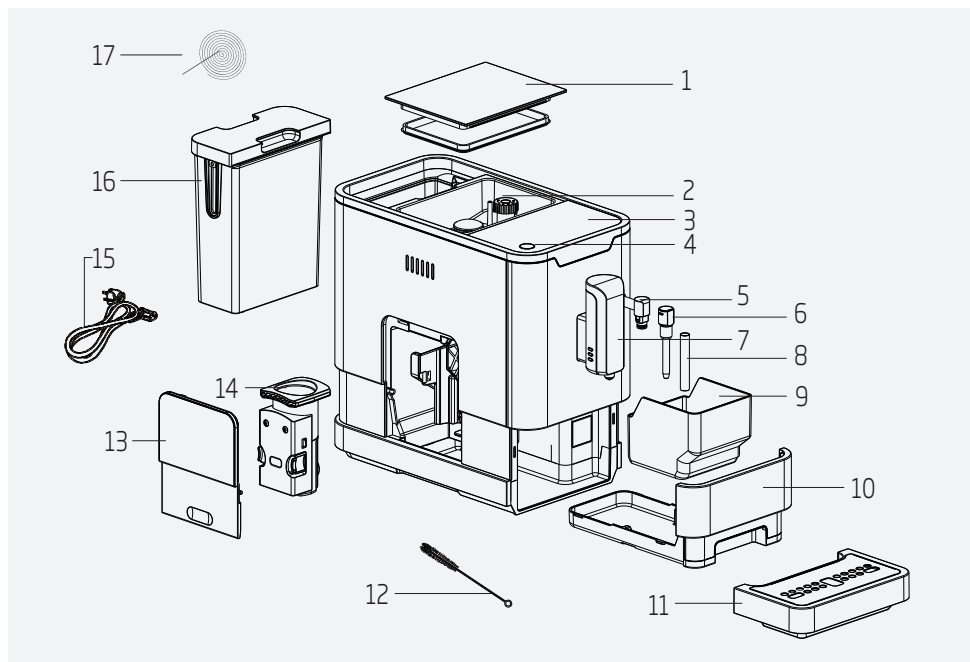
L'appareil que vous avez acheté est conforme à la directive LdSD (2011/65/UE) de l'Union européenne. Il ne comporte pas les matériels dangereux et interdits mentionnés dans la directive.

1.8 Information sur l'emballage



L'emballage du produit est composé de matériaux recyclables, conformément à notre réglementation nationale. Ne jetez pas les éléments d'emballage avec les déchets domestiques et autres déchets. Déposez-les dans un des points de collecte d'éléments d'emballage que vous indiquera l'autorité locale dont vous dépendez.

2 Votre Machine à Café Entièrement Automatique



1. Couverture de Conteneur de Café en Grains
2. Conteneur de Café en Grains
3. Panneau de commande
4. Bouton marche / arrêt
5. Buse à Vapeur
6. Couverture de Buse
7. Bec réglable de café
8. Tuyau métallique
9. Conteneur de Grain de Café
10. Plateau d'Égouttage Interne
11. Plateau d'Égouttage Externe
12. Brosse de nettoyage
13. Porte de Service
14. Brasseur
15. Cordon d'alimentation
16. Réservoir d'eau
17. Aiguille de nettoyage

Données techniques

Alimentation :

220-240 V~, 50-60 Hz












Puissance: 1350 W

Sous réserve de modifications techniques et de conception.

Toutes les valeurs déclarées sur le produit et sur les brochures imprimées sont relevées après des mesures de laboratoire effectuées conformément aux normes correspondantes. Ces valeurs peuvent varier en fonction de l'utilisation et des conditions ambiantes.

3 Affichage

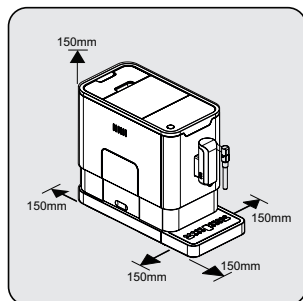
3.1 Panneau de commande

	Clignotant : Niveau d'eau bas/ Réservoir d'eau manquant
	Pas assez de grains de café
	Témoin lumineux permanent : Le conteneur de grain de café est plein Lumière clignotante : Le conteneur interne du Bac d'Égouttage/du grain de café est manquant
	Témoin lumineux permanent : Le brasseur est manquant / mal installé Lumière clignotante : La porte de service est ouverte / mal installée
	Témoin lumineux permanent : Nécessite un détartrage Lumière clignotante : Le détartrage est en cours
	La Fonction de Vidange du Système est en cours
	Bouton Marche/Arrêt
	Bouton de Vapeur
	Bouton d'Eau Chaude
	Bouton Espresso Fort (25-40 ml de café avec une seule pression sur le bouton)
	Bouton Espresso Doux (51-69 ml de café avec une seule pression sur le bouton)

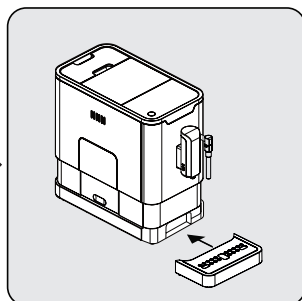
4 Préparation

4.1 Installation

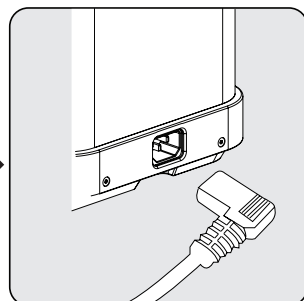
i Retirez les films de protection, les autocollants et tout autre matériel d'emballage de l'appareil.



Choisissez une surface sûre et stable avec une alimentation électrique facilement accessible et prévoyez une distance minimale par rapport aux côtés des machines.



Insérez le bac d'égouttage externe. Veillez à ce qu'il soit correctement inséré.



Déroulez et redressez le cordon d'alimentation et insérez la fiche dans la prise située à l'arrière de l'appareil. Insérez l'autre extrémité du cordon d'alimentation dans une prise de courant murale ayant une tension appropriée.

4.2. Remplissage du réservoir d'eau



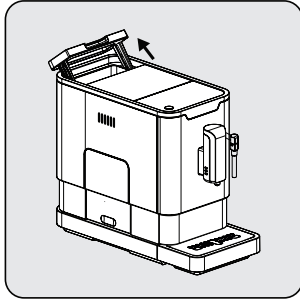
À propos du programme de protection : Si le réservoir d'eau n'est pas entièrement placé dans la machine, un mode de protection sera activé en 15 secondes pendant le processus de brassage. Le bouton d'eau chaude s'allume sur le panneau de contrôle.

1. Assurez-vous que le réservoir d'eau est entièrement inséré dans la machine.
2. Appuyez sur le bouton d'eau chaude. Une fois l'eau chaude distribuée, la machine sera en état de veille.

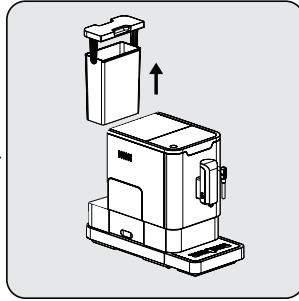


AVERTISSEMENT : Lorsque  clignote, le réservoir d'eau est à un niveau bas et doit être rempli.

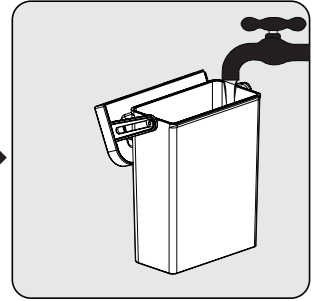
4 Préparation



Soulevez le réservoir d'eau en utilisant le couvercle comme poignée.



Retirez le réservoir d'eau.



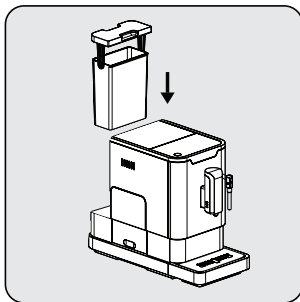
Rincez le réservoir d'eau avec de l'eau douce, puis remplissez le réservoir jusqu'au niveau maximum et remettez-le dans la machine. Assurez-vous qu'il soit bien inséré.



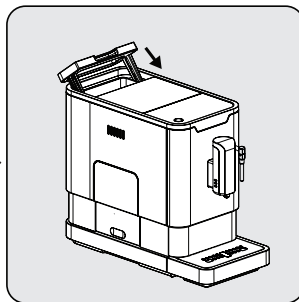
Pour éviter le débordement du réservoir d'eau, n'ajoutez pas d'eau directement dans l'appareil avec un autre conteneur.



AVERTISSEMENT : Ne remplissez jamais le réservoir d'eau avec de l'eau chaude ou tiède, de l'eau gazeuse ou tout autre liquide qui pourrait endommager le réservoir d'eau et la machine.



Remettez le réservoir d'eau en place en utilisant le couvercle comme poignée.

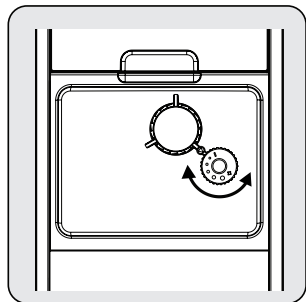


Fermez le réservoir d'eau à l'aide du couvercle.

5 Fonctionnement

5.1 Ajustement du Broyage

Vous pouvez régler le broyeur en fonction de la torréfaction de votre café en tournant le bouton de réglage dans le conteneur à grains :



AVERTISSEMENT : Ne réglez jamais le broyeur lorsqu'il est en service.

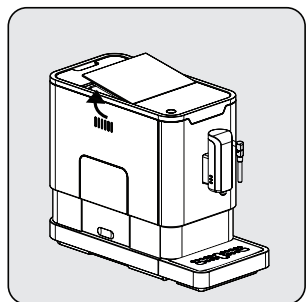


Les points sur le bouton de réglage indiquent la finesse du broyage.

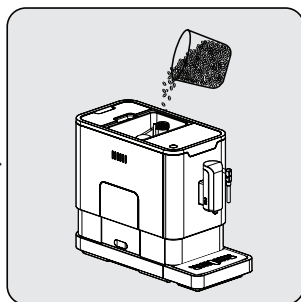
5.2 Remplir le conteneur de grains de café



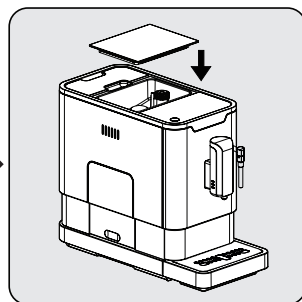
Lorsque  clignote, l'appareil doit être rempli de grains de café.



Enlevez le couvercle du conteneur à grains.



Versez lentement les grains de café.



Remettez le couvercle du conteneur en place.

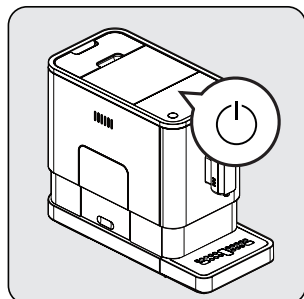


AVERTISSEMENT : Remplissez le conteneur de grains de café uniquement avec des grains de café. Le café moulu, le café instantané, le café caramélisé ou tout autre objet peut endommager la machine.

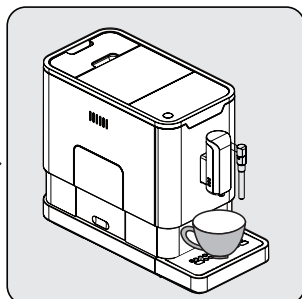
5 Fonctionnement

i Appuyez sur le bouton d'eau chaude pour nettoyer l'intérieur de la cafetière avant la première utilisation.

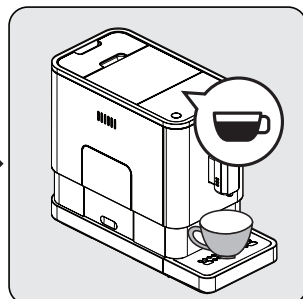
5.3 Préparer Votre Café



Allumez l'appareil en appuyant sur le bouton marche/arrêt. L'appareil s'allume en mode veille et sera prêt à l'emploi en faisant couler de l'eau chaude par le bec à café.



Placez une tasse sous l'écoulement de café et ajustez la hauteur de l'écoulement en fonction de la tasse.



Appuyez sur le bouton espresso et la lumière s'allumera, les voyants lumineux indiquant que l'appareil prépare une tasse de café. Lorsque l'appareil est de nouveau en veille, le café est prêt à être servi.

i Éteignez l'appareil en appuyant sur le bouton marche/arrêt.

i Appuyez sur le bouton "espresso fort" ou "espresso doux" selon le goût du café que vous préférez.

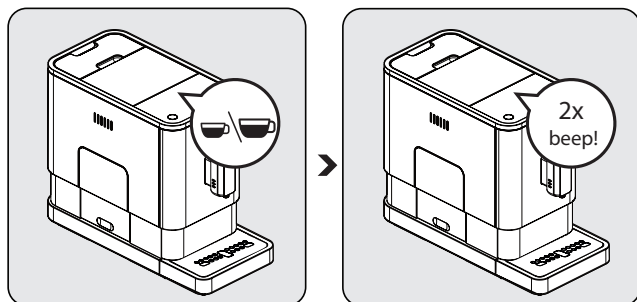
i Appuyez sur le bouton d'eau chaude pour nettoyer l'intérieur de la cafetière avant la première utilisation.

i L'appareil est équipé d'un dispositif d'arrêt automatique. Selon le mode que vous avez sélectionné, l'appareil aura un temps d'arrêt automatique différent.

5.4 Ajuster le Volume de Votre Café/Eau Chaude

Vous pouvez enregistrer le volume de café souhaité pour l'espresso fort et l'espresso doux, ainsi que l'eau chaude de 25 ml à 250 ml.

5 Fonctionnement



Lorsque vous faites votre café (soit un espresso fort, soit un espresso doux), appuyez sur le bouton que vous avez sélectionné et maintenez-le enfoncé. L'appareil continuera à préparer la tasse de café tout en maintenant le bouton enfoncé.

Lorsque le volume de café atteint le volume souhaité, relâchez le bouton. Si vous entendez deux bips, cela indique que la machine a enregistré le volume de café que vous préférez.

Pour réinitialiser les paramètres par défaut/d'usine ;

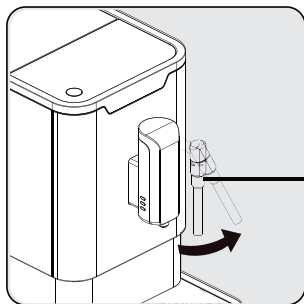
Afin de réinitialiser les paramètres par défaut de sélection du volume de café et d'eau chaude enregistrés en mémoire, il est nécessaire de réinitialiser les paramètres d'usine.

1. Lorsque l'appareil est éteint, retirez les bacs d'égouttement intérieurs et extérieurs,
 2. Retirez le couvercle de service,
 3. Retirez la carafe,
 4. Placez le couvercle de service,
 5. Appuyez sur la touche Marche/Arrêt pendant 5 secondes (elle émet un bip 2 fois)
 6. Ouvrez le couvercle de service,
 7. Placez la carafe,
 8. Fermez le couvercle de service,
 9. Placez le plateau d'égouttage.
- Il a été réinitialisé aux paramètres d'usine.

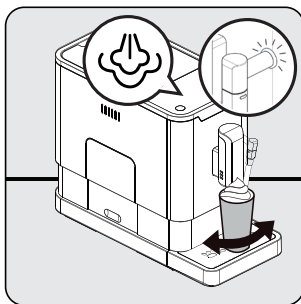
5 Fonctionnement

5.5 Préparer du Lait Mousseux pour le Café

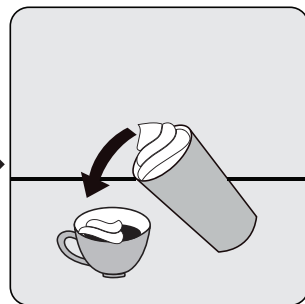
i La température de la vapeur étant plus élevée que celle de l'espresso, l'espresso doit être préparé avant de faire du lait mousseux. Sinon, l'espresso risque de se brûler.



Préparez le café espresso avec une tasse plus grande. Tournez la buse à vapeur vers le plateau d'égouttage.



Appuyez sur le bouton vapeur. Le voyant lumineux de la vapeur clignote. Ensuite, l'appareil chauffe et évacue l'eau résiduelle dans le bac d'égouttage ou un autre conteneur. Lorsque le témoin lumineux de la vapeur cesse de clignoter et reste stable, placez un conteneur avec du lait sous la buse de vapeur et immergez la buse de vapeur à environ 5 cm de profondeur dans le conteneur. Faites pivoter le conteneur pendant que la vapeur chaude sort.



Versez le lait mousseux chaud dans l'espresso. Vous pouvez maintenant savourer votre café !

i Après l'utilisation de la buse à vapeur, veuillez nettoyer la buse des résidus de lait en l'essuyant avec un chiffon humide.

i Il est recommandé d'éliminer tout résidu de lait qui pourrait s'accumuler à l'extrémité de la buse en activant la fonction d'eau chaude de la buse.

5.6 Eau Chaude

L'appareil peut distribuer de l'eau chaude en appuyant simplement sur le bouton d'eau chaude. Le bouton d'eau chaude et l'éclairage allumé indiquent que l'appareil est en train de chauffer l'eau. Lorsque le bouton d'eau chaude et l'éclairage s'éteignent, l'eau est prête à être servie.

5.7 Sélection du Mode



L'appareil possède trois réglages différents : le réglage par défaut, le mode ECO et le mode vitesse. En mode ECO, l'appareil permet d'économiser plus d'énergie. En mode vitesse, l'utilisateur peut faire son café plus rapidement que dans le réglage par défaut.




5 Fonctionnement


	Mode ECO	Mode Vitesse	Réglage par Défaut
Lumière d'Éclairage	Non	Oui	Oui
Pré-brassage*	Oui	Non	Oui
Arrêt automatique de temps	10mins	30mins	20mins
Mémoire de Volume de Tasse	Oui	Oui	Oui



La fonction de pré-brassage consiste à humidifier les grains moulus dans le brasseur avec une petite quantité d'eau avant l'extraction complète. Le grain de café se dilate et la pression dans le brasseur augmente, ce qui permet d'extraire toutes les huiles et de faire ressortir tout l'arôme des grains.

1. Lorsque la machine est en veille, appuyez sur le bouton et maintenez  enfoncée pendant 5 secondes.
2.  clignotera alors et le bouton suivant aura les indications suivantes pour les différents réglages :

	Bouton d'Eau Chaude 	Bouton espresso fort 	Bouton espresso doux 
En Mode ECO	Lumières Allumées	Clignotant	Clignotant
En Mode Vitesse	Oui	Non	Clignotant
Au Réglage par Défaut	Clignotant	Clignotant	Lumières Allumées

3. Appuyez sur le bouton d'eau chaude pour le mode ECO, sur le bouton d'espresso fort pour le mode vitesse et sur le bouton d'espresso doux pour les réglages par défaut. Vous entendrez deux bips lorsque le mode a été sélectionné. (Remarque: Si vous appuyez sur le bouton d'allumage des lumières pour chaque mode, la machine ne répondra pas).
4. Si vous souhaitez que le réglage reste inchangé, appuyez à nouveau sur le bouton  ou attendez 5 secondes pour que la machine se remette en état de veille.

6 Nettoyage

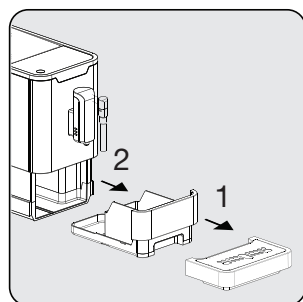
6.1 Nettoyage de l'appareil

1. Débranchez le cordon d'alimentation de la prise de courant.
2. Versez toute l'eau dans les égouttoirs interne et externe.
3. Utilisez un chiffon humide ou un nettoyeur non abrasif pour nettoyer les taches d'eau sur l'appareil.

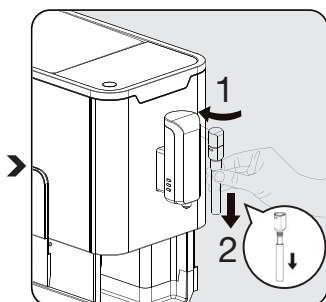


AVERTISSEMENT : N'utilisez jamais d'abrasif, de vinaigre ou de détartrant non inclus dans la boîte pour nettoyer l'appareil.

Le nettoyage et l'entretien en temps utile de l'appareil sont très importants pour prolonger sa durée de vie.



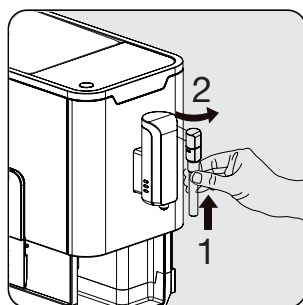
Retirez le bac d'égouttage externe. Faites glisser le bac interne d'égouttage et le conteneur de grain de café.



Retirez le tube métallique en le tirant vers le bas. Ensuite, déverrouillez le couvercle de la buse en le tournant vers la gauche pour démonter le couvercle de la buse et le tube métallique.




Videz le conteneur de grain de café et le bac d'égouttage externe. Lavez le tube métallique à l'eau courante chaude et utilisez une aiguille ou un poil de brosse pour nettoyer le trou. Lavez le couvercle de la buse à l'eau courante chaude et utilisez une aiguille ou un poil de brosse pour nettoyer le trou. Séchez-les ensuite.

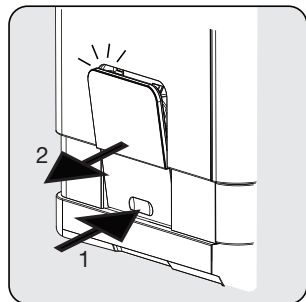


Remontez le tube métallique sur le couvercle de la buse. Ensuite, poussez vers le haut pour remettre le couvercle de la buse en place. Et tournez-le vers la droite pour le verrouiller.

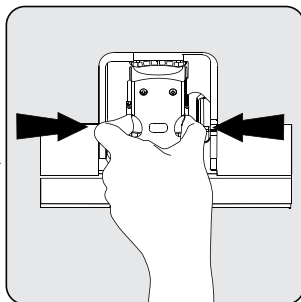
6 Nettoyage



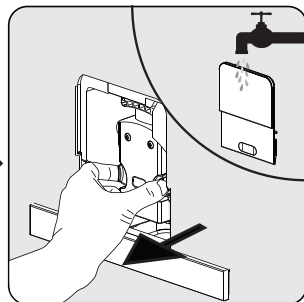
Lorsque  s'allume, vous devez vider le bac à marc de café. Cette icône s'allumera après chaque 10 infusions de café. Nettoyez le bac pour la réinitialiser. Si le bac est propre, il suffira de le retirer et de le remettre en place.



Appuyez sur la zone de déverrouillage, la porte de service sortira. Ensuite, sortez la porte de service.



Appuyez sur les boutons de dégagement et retirez-les.



Retirez le brasseur. Lavez le brasseur à l'eau douce. Séchez ensuite le brasseur.




Lorsque  s'allume, il indique que le brasseur est manquant / mal installé. Lorsque  clignote, il indique que la porte de service est manquante/installée incorrectement.

6.2 Auto-Nettoyage



AVERTISSEMENT : Veuillez attendre la fin du processus d'auto-nettoyage, puis éteignez la machine.

Lorsque  clignote, il indique que l'appareil doit subir un auto-nettoyage. L'appareil restera dans le meilleur état si cette fonction est assurée au moins une fois par mois ou plus régulièrement selon la dureté de l'eau utilisée. Vous devez également

1. Remplir complètement le réservoir d'eau.
2. Ajouter au réservoir d'eau un paquet de produit de nettoyage inclus dans la boîte.



AVERTISSEMENT : N'utilisez pas de vinaigre ou d'autres produits de nettoyage pour l'auto-nettoyage de cet appareil. Le produit de nettoyage pourrait endommager l'appareil.

3. Branchez l'appareil.
4. Placer un conteneur suffisamment grand sous l'écoulement et la buse du café.

6 Nettoyage

5. En veille, appuyez sur le bouton ☹ "espresso fort" et maintenez ☹ enfoncé pendant 5 secondes. Vous entendrez un bip sonore et le bouton ☹ d'espresso fort clignotera.
6. Appuyez sur le bouton "espresso fort" pour confirmer le processus d'auto-nettoyage. Pour revenir à l'état de veille, appuyez sur ☹.
7. S'il clignote, cela indique que l'appareil est auto-nettoyant.



AVERTISSEMENT : Gardez la peau / le corps loin de l'eau chaude.

8. Lorsque toute l'eau du réservoir a été vidée, le bouton ☹ et auto-nettoyage ☹ clignote. Retirez toute la solution restante dans le réservoir d'eau et remplissez le réservoir avec de l'eau du robinet normale jusqu'à la position maximale. Lorsque le réservoir est plein, le ☹ s'éteindra. Ensuite, l'appareil poursuivra le processus d'auto-nettoyage.
9. Lorsque le processus d'auto-nettoyage est terminé, l'appareil s'éteint automatiquement.

6.3 Fonction de Vidange du Système

Utilisez la fonction de système de vidange avant une longue période de non-utilisation, pour la protection contre le gel, et avant de parler à un agent de réparation.

1. En mode veille, appuyez sur le bouton ☹ et le bouton d'espresso doux ☹ et maintenez-les enfoncés ensemble pendant 5 secondes.
2. ☹ commencera alors à clignoter.
3. Retirez le réservoir d'eau de l'appareil. ☹ s'allumera, indiquant que le système de vidange est en cours. Appuyez sur le bouton ☹ avant de retirer le réservoir d'eau pour revenir à l'état de veille.
4. Lorsque la fonction de système de vidange est terminée, l'appareil s'éteint automatiquement.



AVERTISSEMENT : Après avoir effectué la FONCTION DE SYSTÈME DE VIDANGE ; appuyez sur le bouton d'eau chaude jusqu'à ce que de l'eau puisse sortir du bec lorsque la cafetière est réutilisée.

6.4 Rinçage Manuel

Vous pouvez rincer manuellement pour nettoyer la buse à café après utilisation. Si l'appareil n'a pas été utilisé pendant une longue période, un rinçage manuel peut être une bonne idée.

1. En veille, appuyez sur le bouton d'eau chaude ☹ et maintenez-le enfoncé ☹.
2. Le bouton d'eau chaude ☹, le bouton d'espresso fort ☹ et le bouton d'espresso doux ☹ s'éteignent alors. La buse à café distribue ensuite une petite quantité d'eau qui est utilisée pour le rinçage.



AVERTISSEMENT : L'eau qui sort de la buse à café est chaude et est recueillie dans le bac d'égouttage situé en dessous. Évitez tout contact car il y a des éclaboussures.

3. Après le rinçage, l'appareil se remet en veille.

6 Nettoyage

Annulation du mode nettoyage automatique

Votre appareil se nettoie automatiquement avant et après chaque processus d'infusion. Vous pouvez suivre les étapes ci-dessous pour annuler le mode nettoyage automatique.

- Allumez l'appareil en appuyant sur l'interrupteur marche-arrêt, puis attendez qu'il enclenche la position de veille.
- Ouvrez le couvercle de service.
- Appuyez sur l'interrupteur marche-arrêt pendant 5 secondes, un bip retentira.
- Fermez le couvercle de service.
- À présent, le nettoyage automatique est annulé.



Nous vous recommandons vivement d'utiliser le mode nettoyage automatique pour un bon fonctionnement.

7 Dépannage

Problème	Cause	Solution
L'appareil ne fonctionne pas.	L'appareil n'est pas branché sur le secteur.	Branchez et appuyez sur l'interrupteur. Vérifiez le câble et la prise.
Absence de réponse ou réponse tardive dans plusieurs essais d'appui sur un bouton de fonction du panneau	L'appareil est soumis à une interférence électromagnétique. Saleté sur le panneau.	Débranchez l'appareil. Redémarrez après quelques minutes. Nettoyez le panneau avec le chiffon fourni.
Le café n'est pas assez chaud.	Les tasses n'ont pas été préchauffées. L'unité de brassage est trop froide.	Réchauffez votre tasse en utilisant la fonction vapeur avant de faire du café ou rincez la tasse avec de l'eau chaude. Veillez à ce que l'eau du réservoir ne soit pas trop froide.
Le café ne peut pas sortir par le bec.	La fonction de système de vidange peut avoir été utilisée auparavant. Le bec du café peut ne pas avoir été nettoyé et bloqué par des résidus de café.	Appuyez sur le bouton d'eau chaude jusqu'à ce que l'eau puisse sortir du bec. Nettoyez le bec du café.
La première tasse de café est de mauvaise qualité.	Le premier passage du broyeur ne permet pas de verser une quantité suffisante de café dans l'unité d'infusion.	Jetez le café. Les prochaines tasses seront meilleures.
Le réservoir d'eau est retiré / le niveau de l'eau est très bas dans le réservoir mais  il n'y a pas d'alerte.	La zone proche du raccord du réservoir d'eau est humide.	Essuyez l'eau autour du raccord du réservoir d'eau.
Le bac d'égouttage interne est rempli de beaucoup d'eau.	Le café moulu est trop fin, ce qui empêche l'eau de sortir.	Ajustez la finesse du café à un point plus grand pendant le fonctionnement du broyeur.
Le café est livré trop lentement ou une goutte à la fois.	Le grain de café est trop fin, ce qui empêche l'eau de sortir.	Ajustez la finesse du café à un point plus grand pendant le fonctionnement du broyeur.
L'indicateur clignote pour indiquer qu'il n'y a pas assez de grains de café, mais qu'il y en a beaucoup à l'intérieur du conteneur.	La sortie interne du grain de café est bloquée.	Suivez les étapes décrites pour le nettoyage de la sortie du grain de café.
Il est impossible de retirer le brasseur ou le plateau à café moulu.	L'appareil n'a pas terminé le processus d'auto-nettoyage et a été éteint.	Veillez rallumer la machine et la laisser terminer son processus de nettoyage automatique.
L'appareil n'effectue plus le cycle de rinçage lorsqu'il est allumé ou éteint.	Une mauvaise manipulation lors de l'entretien de l'appareil peut en être la cause.	1. Lorsque l'appareil est en marche, retirez la porte de service. 2. Appuyez sur le bouton marche/arrêt et maintenez-le enfoncé jusqu'à ce que vous entendiez 2 bips. 3. Remplacez la porte de service.
Les boutons tactiles ne sont pas sensibles.	Ne pas appuyer sur le bouton tactile depuis l'avant de l'appareil.	Appuyez sur la partie inférieure de l'icône du bouton tactile depuis l'avant de l'appareil.

Lütfen önce bu kılavuzu okuyun!

Değerli Müşterimiz,

Bu Beko ürününü tercih ettiğiniz için teşekkür ederiz. Yüksek kalite ve teknoloji ile üretilmiş olan ürününüzün size en iyi verimi sunmasını istiyoruz. Bunun için, ürünü kullanmadan önce bu kılavuzun tamamını ve verilen diğer belgeleri dikkatlice okuyun ve ileride başvurmak üzere saklayın. Ürünü başka birisine vererseniz kullanım kılavuzunu da birlikte verin. Kullanım kılavuzunda yer alan tüm uyarıları ve bilgileri dikkate alın.

Semboller ve açıklamaları

Kullanma kılavuzunda şu semboller yer almaktadır:



Önemli bilgiler veya kullanımla ilgili faydalı ipuçları.



TEHLİKE: Can ve mal açısından tehlikeli durumlara karşı uyarı.



UYARI: Uyarı, potansiyel olarak tehlikeli durumları belirtir.



DİKKAT: Uyarı, maddi hasar potansiyeli belirtir.



Gıda ile temasa uygundur.



Bu ürün çevre dostu modern tesislerde üretilmiştir.

1 Önemli güvenlik ve çevre talimatları

Bu bölümde, yaralanma ya da maddi hasar tehlikelerini önlemeye yardımcı olacak güvenlik talimatları yer almaktadır. Bu talimatlara uyulmaması halinde her türlü garanti geçersiz hale gelir.

1.1 Elektrik akımı tehlikesi

Elektrik akımı dolayısıyla hayati tehlike!

Akımlı tellerle veya bileşenlerle temas etmek ciddi yaralanmalara ve ölüme neden olabilir!

Elektrik çarpması riskini önlemek için aşağıdaki güvenlik önlemlerine uyun:

- Elektrik kablosu ve fiş hasar görmüşse cihazı kullanmayın. Yetkili servise başvurun.
- Kahve makinesinin muhafazasını açmayın. Akımlı bağlantılara dokunulursa ve/veya elektriksel ve mekanik yapılandırma değiştirilirse elektrik çarpması riski ortaya çıkar.

- Kahve çekirdeği haznesini temizlemeden önce cihazın fişini prizden çekin. Kahve öğütücünün dönmesinden doğan tehlike!

1.2 Yanma veya haşlanma tehlikesi

Kahve makinesinin bazı parçaları çalışma sırasında çok fazla ısınabilir! Makineden alınan içecekler ve çıkan buhar çok sıcaktır!

Kendinizi ve başkalarını yakmaktan/haşlamaktan kaçınmak için aşağıdaki güvenlik önlemlerine uyun:

- Her iki kahve musluğunda yer alan metal manşonlara dokunmayın.
- Cildinizin makineden çıkan buharla veya sıcak durulama, temizleme ya da kireç çözme suyuyla doğrudan temas etmesini engelleyin.

1 Önemli güvenlik ve çevre talimatları

1.3 Temel güvenlik önlemleri

Kahve makinesini güvenli bir şekilde kullanmak için aşağıdaki güvenlik önlemlerine uyun:

- Ambalaj malzemeleriyle asla oynamayın. Boğulma riski vardır. Tüm ambalaj malzemelerini çocuklardan uzak tutun.
- Kahve makinesini kullanmadan önce görünür hasar olup olmadığını gözle kontrol edin. Hasarlı kahve makinesini kullanmayın. Yetkili servise başvurun.
- Bağlantı kablosu hasarlıysa olası tehlikeleri önlemek adına yalnızca üreticinin tavsiye ettiği bir servis yetkilisi tarafından değiştirilmelidir! Lütfen üreticiyle ya da üreticinin müşteri hizmetleri yetkilisiyle iletişime geçin.
- Kahve makinesinin onarım işlemleri yetkili servis veya müşteri hizmetleri yetkilisi tarafından yapılmalıdır. Yetkisiz kişilerin yaptığı onarım işlemleri kullanıcı için ciddi tehlikelere yol açabilir. Ayrıca, bu işlemler garantiyi geçersiz kılar.
- Garanti süresi içerisinde kahve makinesinde yapılacak onarım işlemleri, yalnızca üretici tarafından yetkilendirilen servis merkezleri tarafından yapılmalıdır. Aksi takdirde, sonradan ortaya çıkan hasarlar durumunda garanti geçersiz kalacaktır.
- Kusurlu parçalar yalnızca orijinal yedek parçalarla değiştirilebilir. Güvenlik gerekliliklerine uyulması ancak orijinal yedek parça kullanımıyla sağlanabilir.

1 Önemli güvenlik ve çevre talimatları

- Bu ürün, denetim altında tutulmaları ya da ürünün güvenli kullanımına dair bilgilendirilmeleri ve ürünün kullanımından doğabilecek tehlikeleri anlamaları koşuluyla 8 yaşından büyük çocuklar ile fiziksel, duyuşsal ya da zihinsel kapasiteleri azalmış ve bilgi ve/veya tecrübe eksikliği olan kişiler tarafından kullanılabilir. Çocuklar ürünle oynamamalıdır. Temizleme ve kullanıcı bakımı, 8 yaşının üzerinde olmadıkları ve gözetim altında tutulmadıkları sürece çocuklar tarafından yapılmamalıdır.
- Bu cihaz, evde ve aşağıdakiler gibi uygulamalarda kullanılmak üzere tasarlanmıştır:
 - Dükkanların, ofislerin ve diğer çalışma ortamlarının personel mutfaklarında;
 - Çiftlik evlerinde;
 - Otel, motel ve diğer konaklama mekanlarında müşteriler tarafından;
 - Pansiyon türü mekanlarda.
- Kahve makinesini yağmur, don ve doğrudan güneş ışığı gibi hava etmenlerinden koruyun. Kahve makinesini açık alanda kullanmayın.
- Kahve makinesini, elektrik kablosunu ya da fişini kesinlikle suya veya başka sıvılara batırmayın.
- Kahve makinesini ya da aksesuarlarını bulaşık makinesinde yıkamayın.
- Su haznesine sudan başka sıvı dökmeyin, gıda malzemeleri koymayın.
- Su haznesini maksimum işareti (doldurma deliğinin alt kenarı) fazla doldurmayın.
- Makineyi sadece atık kahve haznesi, damlama tepsisi ve fincan ızgarası takılı durumdayken kullanın.
- Fişi prizden çıkarmak için kabloyu çekmeyin ve ıslak elle dokunmayın.

1 Önemli güvenlik ve çevre talimatları

- Kahve makinesini elektrik kablosundan tutmayın.
- Ürünü ve ürün kablosunu 8 yaşından küçük çocukların erişemeyeceği bir yerde saklayın.
- Cihaz sadece kahve hazırlamak için kullanılabilir.
- Çocuklar, cihazla oynamadıklarından emin olmak için gözetim altında tutulmalıdır.
- Cihaz kullanılmadığında ve her temizlik öncesinde cihazın fişini prizden çıkartın.
- Cihazı fişe her zaman erişim sağlanabilecek bir yere yerleştirin.
- Cihazı her zaman sabit, düz, temiz, kuru ve kaymayan bir yüzeye yerleştirin.
- Cihaz entegre kahve makinesi değildir ve kabin içinde kullanılmak için tasarlanmamıştır. Kahve makinesi kullanılırken kabin içerisine yerleştirilmemelidir.
- Elektrik kablosunun hasar görmemesi için kabloyu sıkıştırmayın, bükmeyin veya keskin kenarlarla temas ettirmeyin. Elektrik kablosunu sıcak yüzeylerden ve açık alevden uzak tutun.
- Şebeke elektriğinin cihazın bilgi levhasında belirtilen bilgilerle uyumlu olduğundan emin olun.
- Cihazı sadece topraklı prizle kullanın.
- Cihazı uzatma kablosu ile kullanmayın.
- Cihazın prizi takılıyken ıslak veya nemli ellerle cihaza veya fişine dokunmayın.

1 Önemli güvenlik ve çevre talimatları

1.4 Kullanım amacı

Beko tam otomatik kahve makinesi, evlerde ve benzeri yerlerde (örneğin personel mutfakları, ofisler ve benzeri alanlar ya da pansiyon, otel, motel ve diğer konaklama mekanlarında müşteriler tarafından kullanılmak üzere) tasarlanmıştır. Bu kahve makinesi ticari kullanıma uygun değildir. Yalnızca kahve hazırlamak, süt ve su ısıtmak için tasarlanmıştır. Bunun dışında kullanımlar, uygunsuz kullanım olarak değerlendirilir.

Uygunsuz kullanımdan kaynaklanan tehlike!

Kahve makinesi, kullanım amacı doğrultusunda kullanılmazsa tehlike kaynağı haline gelebilir.



UYARI: Dolayısıyla, kahve makinesi kullanım amacına uygun olarak kullanılmalıdır.



UYARI: Bu kullanım kılavuzunda yer alan prosedürlere uyun.

Kahve makinesinin amacı dışında kullanılmasından kaynaklanan hasar ve yaralanmalar için hiçbir sorumluluk kabul edilmeyecektir.

Risk, sadece makinenin sahibi tarafından ortaya çıkarılmış olmalıdır.

1.5 Sorumluluk sınırlaması

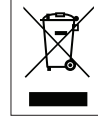
Bu kullanım kılavuzunda yer alan ve kahve makinesinin kurulumuna, kullanımına ve bakımına yönelik olan tüm teknik bilgiler, veriler ve talimatlar makinenin baskı sırasındaki güncel durumunu yansıtmakta, deneyim ve uzmanlık ile kazanılan olası en iyi bilgilere dayanmaktadır.

Bu kullanım kılavuzundaki bilgilerden, çizimlerden ve açıklamalardan hiçbir iddia/taalep çıkarımında bulunulamaz.

Üretici, kullanım kılavuzuna uyulmamasından, ürünün kullanım amacı dışında kullanılmasından, amatör onarımlardan, yetkisiz şekilde yapılan değişikliklerden ve onaylı olmayan yedek parçaların kullanılmasından kaynaklanan hasar ve yaralanmalar için sorumluluk kabul etmemektedir.

1.6 AEEE Direktifine Uygunluk ve Atık Ürünün Elden Çıkarılması:

Bu ürün, AB AEEE Direktifine (2012/19/AB) uygundur. Bu ürün, atık elektrikli ve elektronik ekipman (AEEE) sınıflandırma sembolü taşımaktadır.



Bu ürün, tekrar kullanılabilir ve geri dönüşüme uygun yüksek kaliteli parçalardan ve malzemelerden üretilmiştir. Kullanım ömrünün sonunda, atık ürünü normal evsel ve diğer atıklarla birlikte atmayın. Elektrikli ve elektronik ekipmanların yeniden dönüşümü için toplama merkezine götürün. Söz konusu toplama merkezleri hakkında bilgi sahibi olmak için lütfen yerel mercilere başvurun.

1.7 RoHS Direktifine Uygunluk

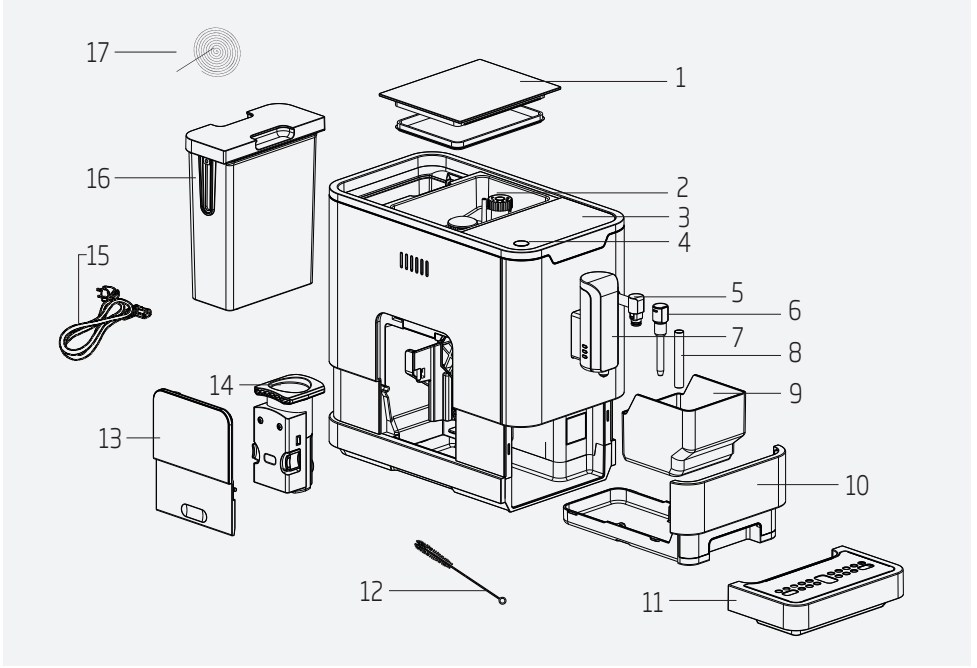
Satın almış olduğunuz ürün, AB RoHS Direktifine (2011/65/AB) uygundur. Direktifte belirtilen tehlikeli ve yasaklanmış malzemeleri içermez.

1.8 Ambalaj bilgileri



Ürünün ambalajı, Ulusal Çevre Mevzuatımız gereği geri dönüştürülebilir malzemelerden üretilmiştir. Ambalaj malzemelerini evsel veya diğer atıklarla birlikte atmayın. Bu malzemeleri yerel mercilerce görevlendirilen ambalaj malzemesi toplama noktalarına götürün.

2 Tam Otomatik Kahve Makineniz



1. Kahve Çekirdeği Haznesi Kapağı
2. Kahve Çekirdeği Haznesi
3. Kontrol Paneli
4. Açma/Kapatma tuşu
5. Buhar Nozülü
6. Nozül kapağı
7. Ayarlanabilir Kahve Musluğu
8. Metal boru
9. Atık Kahve Haznesi
10. İç Damlama Tepsisi
11. Dış Damlama Tepsisi
12. Temizlik Fırçası
13. Servis Kapağı
14. Demlik
15. Güç kablosu
16. Su Haznesi
17. Temizlik iğnesi

Teknik veriler

Güç beslemesi:

220-240 V~, 50-60 Hz




Güç: 1350 W

Teknik ve tasarım değişiklikleri yapma hakkı saklıdır.

Ürün üzerinde ve yanında verilen kitapçıklarda belirtilen tüm değerler ilgili standartlara göre yapılan laboratuvar ölçümlerinden alınmıştır. Bu değerler kullanıma ve ortam koşullarına bağlı olarak farklılık gösterebilir.

3 Ekran

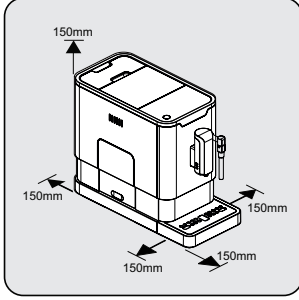
3.1 Kontrol Paneli

	Yanıp sönüyor: Su seviyesi düşük/Su haznesi yerinde değil
	Kahve çekirdeği eksik
	Sürekli yanan ışıklar: atık kahve haznesi dolu Yanıp sönüyor: İç Damlama Tepsisi/atık kahve haznesi yerinde değil
	Sürekli yanan ışıklar: Demlik yerinde değil/yanlış takılmış Yanıp sönüyor: Servis kapağı açık/yanlış takılmış
	Sürekli yanan ışıklar: Kireç çözme işlemi gerekiyor Yanıp sönüyor: Kireç çözme işlemi yapılıyor
	Sistem Boşaltma Fonksiyonu çalışıyor
	Güç Açma/Kapatma Düğmesi
	Buhar Düğmesi
	Sıcak Su Düğmesi
	Sert Espresso Düğmesi (tek basışta 25-40 ml kahve)
	Yumuşak Espresso Düğmesi (tek basışta 51-69 ml kahve)

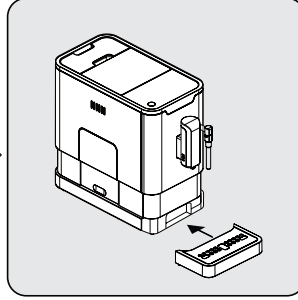
4 Hazırlık

4.1 Kurulum

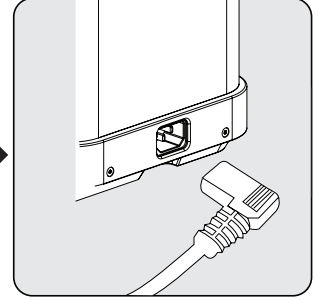
i Cihazın üzerindeki tüm koruyucu filmleri, yapışkanları ve diğer ambalaj malzemelerini sökün.



Kolayca erişilebilir güç kaynağına sahip güvenli ve dengeli bir yüzey belirleyip makinenin kenarlarında gereken minimum boşluğu bırakmaya dikkat edin.



Dış damlama tepsisini takın. Doğru yerleştirdiğinizden emin olun.



Güç kablosunu açık düz hale getirin ve fişi, makinenin arkasında yer alan sokete takın. Güç kablosunun diğer ucunu, uygun gerilime sahip duvar prizine takın.


4.2 Su haznesinin doldurulması



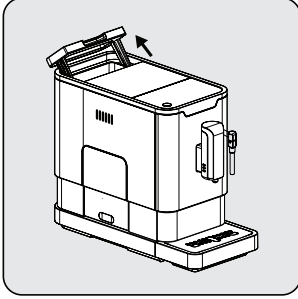
Koruma programı hakkında: Su tankı makineye tamamen yerleştirilmezse, demleme süreci sırasında 15 saniye içinde bir koruma modu etkinleştirilecektir. Kontrol panelinde sıcak su düğmesi yanacaktır.

1. Su tankının makineye tamamen yerleştirildiğinden emin olun.
2. Sıcak su düğmesine basın. Sıcak su boşalıdıktan sonra, makine bekleme durumuna geçecektir.

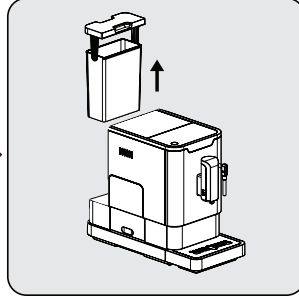


UYARI:  yanıp sönyorsa su haznesindeki su seviyesi düşüktür ve su haznesinin doldurulması gerekir.

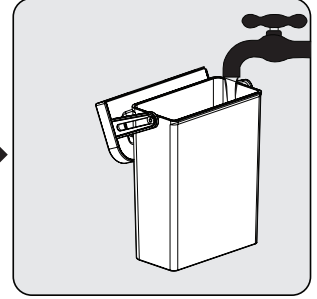
4 Hazırlık



Su haznesini, kapağı tutacak olarak kullanarak kaldırın.



Su haznesini dışarı çıkarın.



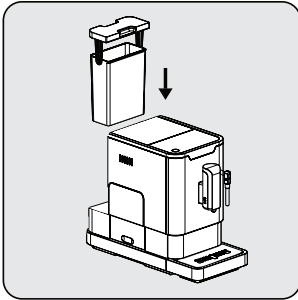
Temiz suyla yıkadığınız su haznesini maksimum seviyeye kadar doldurup tekrar makineye takın. Tamamen yerleştirdiğinizden emin olun.



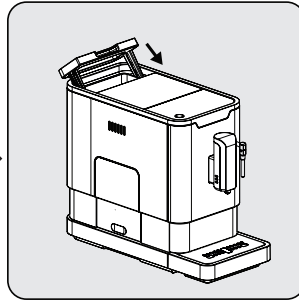
Su haznesinin taşmasını önlemek için, cihaza başka bir kapla doğrudan su eklemeyin.



UYARI: Su haznesine ılık su, sıcak su, maden suyu veya su haznesine ve makineye zarar verebilecek başka bir sıvı doldurmayın.



Su haznesini, kapağı tutacak olarak kullanarak tekrar yerine takın.

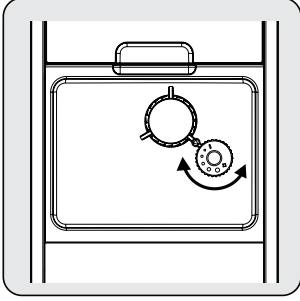


Kapağı kullanarak su haznesini kapatın.

5 Kullanım

5.1 Öğütme Ayarı

Öğütücüyü, kahve çekirdeği haznesindeki ayar düğmesini çevirerek kahvenizin öğütülme derecesine uyacak şekilde ayarlayabilirsiniz.



UYARI: Öğütücü çalışırken öğütme ayarı yapmayın.

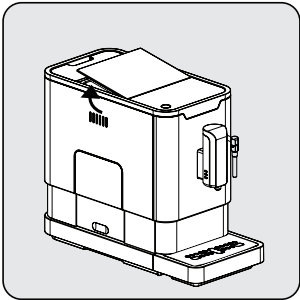


Ayar düğmesinin üzerinde yer alan noktalar, kahve çekirdeklerinin öğütülme inceliğini gösterir.

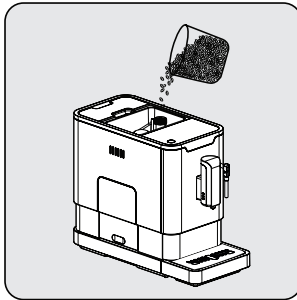
5.2 Kahve çekirdeği haznesinin doldurulması



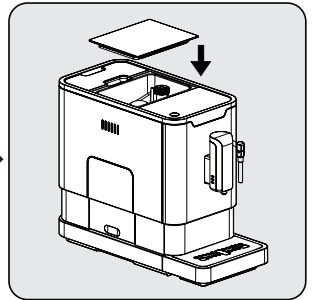
yanıp sönyorsa cihaza kahve çekirdeği ilave etmeniz gerekir.



Kahve çekirdeği haznesinin kapağını çıkarın.



Kahve çekirdeklerini yavaşça hazneye ilave edin.



Kahve çekirdeği haznesinin kapağını kapatın.

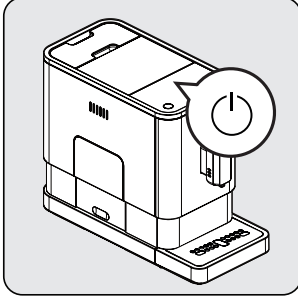


UYARI: Kahve çekirdeği haznesine sadece kahve çekirdeği koyun. Öğütülmüş kahve, hazır kahve, karamelize edilmiş kahve ve diğer türler makineye zarar verebilir.

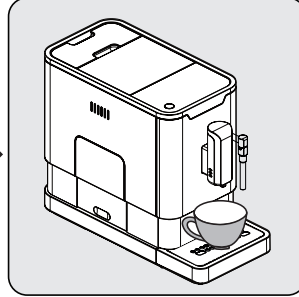
5 Kullanım

i İlk kullanımdan önce sıcak su düğmesine basarak kahve makinesinin içini temizleyin.

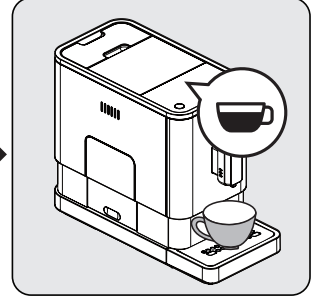
5.3 Kahve Hazırlama



Güç açma/kapama düğmesine basarak cihazı açın. Cihaz bekleme modunda açılır ve kahve musluğundan bir miktar sıcak su akarak kullanıma hazır olacaktır.



Kahve musluğunun altına bir fincan yerleştirip musluğun yüksekliğini fincana göre ayarlayın.



Basılan espresso düğmesinin ışığı yanar ve ışıklar, cihazın kahveyi hazırlamakta olduğunu belirtir. Cihaz tekrar bekleme durumuna geçtiğinde kahve hazır demektir.

i Güç açma/kapama düğmesine basarak cihazı kapatın.

i Damak zevkinize bağlı olarak sert espresso düğmesine veya yumuşak espresso düğmesine basın.

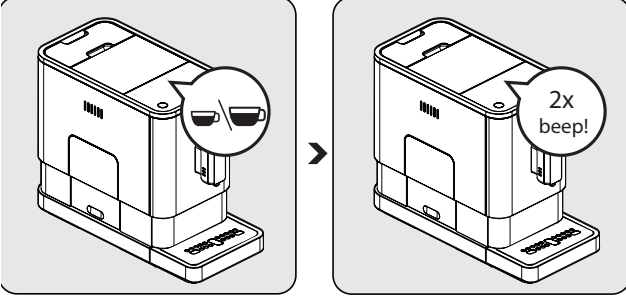
i İlk kullanımdan önce sıcak su düğmesine basarak kahve makinesinin içini temizleyin.

i Cihaz, otomatik kapanma özelliğine sahiptir. Otomatik kapanma süreleri, seçtiğiniz moda bağlı olarak değişir.

5 Kullanım

5.4 Kahve/Sıcak Su Hacminin Ayarlanması

Hem sert ve yumuşak espresso hem de sıcak su hacmini 25 ml ile 250 ml arasında istediğiniz bir değere ayarlayıp bunu makinenin belleğine kaydedebilirsiniz.



Kahvenizi (sert veya yumuşak espresso) hazırlarken seçtiğiniz düğmeye basılı tutun. Cihaz, parmağınız basılı kaldığı sürece kahveyi hazırlamaya devam edecektir.

Kahve hacmi istediğiniz seviyeye ulaştığında düğmeye basmayı bırakın. Makineden iki bip sesi gelecektir. Bu sesler, kahve hacminin belleğe kaydedilmekte olduğunu belirtir.

Varsayılan/ fabrika ayarlarına geri dönmek için;

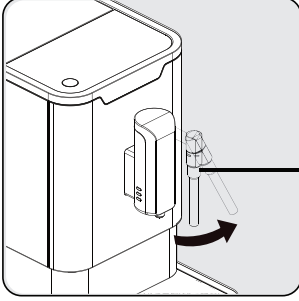
Belleğe kaydedilmiş olan kahve ve sıcak su hacmi seçiminde varsayılan ayarlara dönmek için fabrika ayarlarına geri dönmek gerekmektedir.

1. Cihaz kapalı konumdayken, iç ve dış damlama haznelerini çıkarın,
 2. Servis kapağını çıkarın,
 3. Demliği çıkarın,
 4. Servis kapağını yerine takın,
 5. On-off tuşuna 5 sn basılı tutun (2 bip sesi duyulur)
 6. Servis kapağını açın,
 7. Demliği yerine takın,
 8. Servis kapağını kapatın,
 9. Damlama tepsisini yerine takın,
- Fabrika ayarlarına dönüş sağlanmıştır.

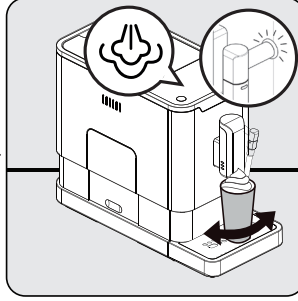
5 Kullanım

5.5 Kahve için Köpüklü Süt Hazırlama

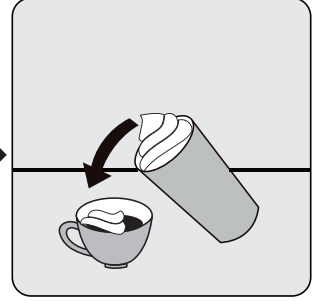
i Buhar sıcaklığı, espresso sıcaklığından daha yüksek olduğu için espresso, köpüklü süttten önce hazırlanmalıdır. Aksi takdirde espresso yanabilir.



Espresso'yu daha büyük bir fincan ile hazırlayın. Buhar nozülünü Damlatma tepsisine doğru çevirin.



Buhar düğmesine basın. Buhar göstergesi ışığı yanıp söner ve cihaz ısınır. Su kalıntısını damlatma tepsisine veya başka bir kaba boşaltın. Su kalıntısı boşaldıktan sonra buhar işlemi duracak ve tekrar buhar düğmesine basmanız gerekecektir. Buhar gösterge ışığı yanıp sönmeyi durdurduğunda ve sabit olarak yandığında sütle dolu bir kabı buhar nozülünün altına yerleştirin ve buhar nozülünü kabın 5 cm kadar içine daldırın. Sıcak buhar gelmeye başladığında kabı döndürün.



Sıcak köpüklü sütü espressoya ekleyin. Artık kahvenizi keyifle yudumlayabilirsiniz.

i Nozül kullanımından sonra süt kalıntılarını nozülden nemli bir bez yardımı ile silin.

i Nozülden sıcak su fonksiyonunu etkinleştirerek başlığın ucunda birikebilecek süt artıklarının temizlenmesi tavsiye edilir.

5.6 Sıcak Su

Cihazdan sıcak su almak için sıcak su düğmesine basmanız yeterlidir. Sıcak su düğmesi ve ışık yanarak cihazın suyu ısıtmakta olduğunu belirtir. Sıcak su düğmesi ve ışık söndüğünde, sıcak suyunuz hazır demektir.

5 Kullanım

5.7 Mod Seçimi

Makinenin üç farklı ayarı vardır: Varsayılan ayar, ECO (Ekonomik) modu ve hızlı mod. ECO (Ekonomik) modunda, cihaz daha fazla enerji tasarrufu yapar. Hızlı modda ise kullanıcı, kahvesini varsayılan ayarda olduğundan daha hızlı şekilde hazırlayabilir.

	ECO Modu	Hızlı Mod	Varsayılan Ayar
Aydınlatma Işığı	Hayır	Evet	Evet
Ön demleme*	Evet	Hayır	Evet
Otomatik kapanma süresi	10 dakika	30 dakika	20 dakika
Bardak Hacmi belleği	Evet	Evet	Evet



Ön demleme fonksiyonu, tam ekstraksiyon öncesinde demlikteki öğütülmüş çekirdekleri az miktarda suyla nemlendirir. Bu, öğütülmüş kahveyi şişirerek demlikte daha fazla basınç yaratır. Bu sayede, öğütülmüş çekirdeklerin yağının ve aromasının tamamı ortaya çıkarır.

1. Makine bekleme modundayken düğmesine 5 saniye basılı tutun.
2. yanıp söner ve aşağıdaki düğmeler, farklı ayarlar için şu göstergeleri verir:

	Sıcak su düğmesi 	Sert espresso düğmesi 	Yumuşak espresso düğmesi
ECO Modunda	Işıklar açık	Yanıp sönüyor	Yanıp sönüyor
Hızlı Modda	Evet	Hayır	Yanıp sönüyor
Varsayılan Ayarda	Yanıp sönüyor	Yanıp sönüyor	Işıklar Açık

3. ECO modu için sıcak su düğmesine, hızlı mod için sert espresso düğmesine, varsayılan ayar içinse yumuşak espresso düğmesine basın. Makineden iki bip sesi gelir. Bu sesler, modun seçilmekte olduğunu belirtir. (Not: Her mod için düğmedeki ilgili ışıklara basarsanız makine yanıt vermez).
4. Ayarın değişmesini istemiyorsanız düğmesine tekrar basın ya da makinenin bekleme moduna dönmesi için 5 saniye bekleyin.

6 Temizlik

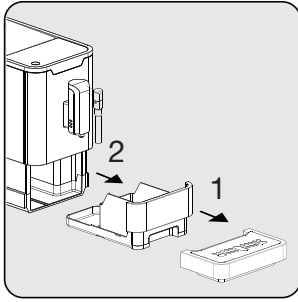
6.1 Cihazın temizlenmesi

1. Güç kablosunu prizden çekin.
2. İç ve dış damlama tepsilerindeki tüm suyu boşaltın.
3. Nemli bir bez veya aşındırmayan bir temizlik malzemesi kullanarak cihazın üzerindeki su lekelerini temizleyin.

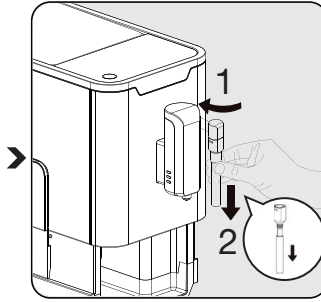


UYARI: Cihazı temizlemek için kutuda yer almayan; aşındırıcı, sirke içerikli veya kireç çözücü ürünler kullanmayın.

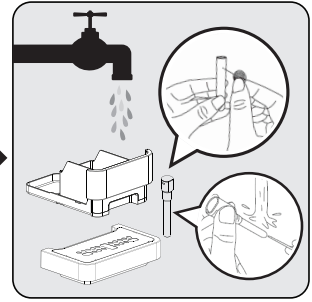
Cihazın kullanım ömrünü uzatmak için zamanında temizlik ve bakım yapmak çok önemlidir.



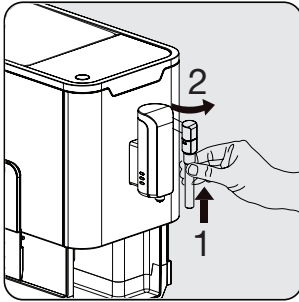
Dış damlama tepsisini çıkarın.
İç damlama tepsisini ve sonrasında da atık kahve haznesini kaydırarak çıkarın.



Metal boruyu aşağı doğru çekerek çıkarın. Sonrasında nozül kapağını sola doğru çevirip, aşağı doğru çekerek parçaları birbirinden ayırın.




Kahve haznesini ve dış damlama tepsisini boşaltın. Metal boruyu tazikli sıcak su ile yıkayın ve iğne veya kıl fırça ile deliği temizleyin. Nozülü tazikli sıcak su ile yıkayın ve iğne veya kıl fırça ile deliği temizleyin. Tüm parçaları kurulayın.

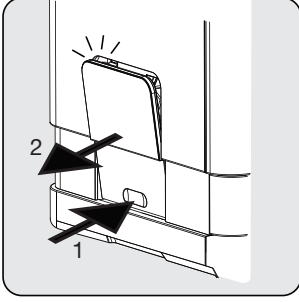


Metal boruyu tekrardan nozül kapağına takın. Daha sonra yukarı doğru bastırarak nozül kapağını yerine takın. Kilitlemek için sağa doğru çevirin.

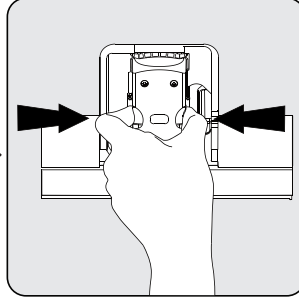


Atık kahve haznesi sembolü  yanıyorsa atık kahve haznesinin boşaltılması gerekir. Bu ikon her 10 kahve demleme sonrasında yanacaktır. Işığı söndürmek için atık kahve haznesi temizleyin. Atık kahve haznesi temiz ise, iç damlama haznesini çıkarıp, tekrar yerine takın.

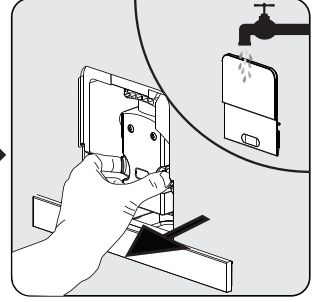
6 Temizlik



Kilit açma yerine bastırın, kapak dışarı dışarı doğru açılacaktır. Dışarı açılan kapağı çekerek çıkarın.



Çıkarma düğmelerine bastırın ve dışarı çekin.



Kahve demleyici çıkarın ve temiz suyla yıkayın. Ardından kurulaştırın.



⚠️ sabit yanıyor ise kahve demleyici yerinde değildir/yanlış takılmıştır. ⚠️ yanıp sönüyorsa servis kapağı yerinde değildir/yanlış takılmıştır.

6.2 Kendi Kendini Temizleme (Self-Cleaning) Fonksiyonu



UYARI: Lütfen kendi kendini temizleme işleminin bitmesini bekleyin, ardından makineyi kapatın.

🔌 yanıp sönüyorsa cihazın kendi kendini temizleme fonksiyonunun çalıştırılması gerekir. Bu fonksiyon en az ayda bir kez ya da kullanılan suyu sertliğine bağlı olarak daha düzenli bir şekilde kullanılırsa cihaz en iyi durumda kalır. Ayrıca:

1. Su haznesini tamamen doldurmanız,
2. Ürünün kutusunda verilen bir paket temizlik malzemesini su haznesine eklemeniz önerilir.






UYARI: Bu cihazın kendi kendini temizleme fonksiyonunu çalıştırmak için sirke veya başka temizlik maddeleri kullanmayın. Temizlik maddeleri cihaza zarar verebilir.

3. Cihazın fişini prize takın.
4. Kahve musluğunun ve nozülün altına yeterli büyüklükte bir kap koyun.
5. Bekleme modundayken ☺ ve sert espresso düğmesine ☺ 5 saniye basılı tutun. 🔄 ile bir bip sesi duyulur ve sert espresso düğmesi ☺ yanıp söner.
6. Sert espresso düğmesine basarak cihazın kendi kendini temizleme işlemi yapması için onay verin. Bekleme moduna dönmek için ☺ düğmesine basın.
7. Yanıp sönmek cihazın kendi kendini temizleme işlemine girmekte olduğunu belirtir.

6 Temizlik








UYARI: Sıcak suyu cildinizden/vücutunuzdan uzak tutun.

8. Su haznesindeki suyun tamamı tahliye edilirken  ve  yanıp söner. Su haznesinde kalan solüsyonun tamamını temizleyip hazneyi maksimum seviyeye kadar normal musluk suyuyla doldurun. Su haznesine su doldurulduğunda  söner. Ardından, cihaz kendi kendini temizlemeye devam eder.
9. Kendi kendini temizleme işlemi tamamlandıktan sonra cihaz otomatik olarak kapanır.

6.3 Sistem Boşaltma Fonksiyonu

Cihaz uzun süre kullanım dışı bırakılmadan, donma koruması uygulanmadan ve onarım görevlisiyle konuşulmadan önce sistem boşaltma fonksiyonunun kullanılması önerilir.

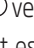

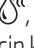


1. Bekleme modundayken  ve yumuşak espresso düğmesine  aynı anda 5 saniye basılı tutun.
2.  yanıp söner.
3. Su haznesini cihazdan çıkarın. Sistem boşaltma işlemi boyunca  ışığı sürekli yanar. Bekleme moduna geri dönmek için su haznesini çıkarmadan önce  düğmesine basabilirsiniz.
4. Sistem boşaltma işlemi tamamlandıktan sonra cihaz otomatik olarak kapanır.



UYARI: SİSTEM BOŞALTMA FONKSİYONU kullanıldıktan sonra, kahve makinesini tekrar kullanırken, sıcak su düğmesine basın ve su gelene kadar bekleyin.

6.4 Manuel Yıkama

Makineyi kullandıktan sonra kahve ağzını temizlemek için manuel yıkama işlemi gerçekleştirebilirsiniz. Ayrıca, cihaz uzun süre kullanılmadıktan sonra da manuel yıkama yapmanız tavsiye edilir.

1. Bekleme modundayken  ve sıcak su düğmesine  aynı anda basılı tutun.
2. Sıcak su düğmesi , sert espresso düğmesi  ve yumuşak espresso düğmesi  söner. Kahve ağzından, yıkama için kullanılan yaklaşık bir bardak su gelir.



UYARI: Kahve ağzından yaklaşık bir bardak sıcak su gelerek damlama tepsisinde toplanır. Su sıçratmamaya dikkat edin.

3. Yıkamadan sonra, cihaz bekleme moduna döner.

6 Temizlik

Otomatik temizleme modu iptali


Her kahve hazırlamadan önce ve hazırladıktan sonra makineniz otomatik olarak kendi kendini temizler. Otomatik temizleme modunu iptal etmek için aşağıdaki adımları izleyebilirsiniz.

- On-Off düğmesine basarak cihazı açın ve bekleme konumuna gelene kadar bekleyin.
- Servis kapağını açın.
- On-Off düğmesine 5 saniye basılı tutun, bip bip ses duyulacaktır.
- Servis kapağını kapatın.
- Otomatik temizleme işlemi iptal edilmiştir.



Sağlıklı bir kullanım için otomatik kendi kendini temizleme modunu aktif olarak kullanmanızı öneririz.

7 Sorun giderme

Sorun	Neden	Çözüm
Cihaz çalışmıyor.	Cihaz şebekeye bağlı değildir.	Cihazın fişini prize takıp düğmesine basın. Kabloyu ve fişi kontrol edin.
Paneldeki fonksiyon tuşuna birkaç kez basılmasına rağmen cihaz yanıt vermiyor veya geç yanıt veriyor	Cihaz elektromanyetik parazit altındadır. Panel kirlidir.	Cihazın fişini çekin. Birkaç dakika sonra cihazı yeniden başlatın. Ürünle birlikte verilen bezi kullanarak paneli temizleyin.
Kahve yeterince sıcak değil.	Fincanlarda ön ısıtma yapılmamıştır. Demleme ünitesi çok soğuk.	Kahve yapmadan önce fincanınızı buhar fonksiyonu kullanarak ısıtın veya sıcak suyla fincanı çalkalayın. Su haznesindeki suyun çok soğuk olmasına dikkat edin.
Kahve ağızdan kahve gelmiyor.	Sistem boşaltma fonksiyonu önceden kullanılmış olabilir. Kahve çıkış ucu temizlenmemiş ve kahve kalıntıları ile tıkanmış olabilir.	Ağızdan su gelene kadar sıcak su düğmesine basın. Kahve çıkış ucunu temizleyin.
Hazırlanan ilk kahvenin kalitesi düşük.	Öğütücü, ilk çalışmasında demleme ünitesinde yeterli düzeyde güç vermiyor olabilir.	Kahveyi atın. Diğer kahvelerin kalitesi her zaman yüksek olacaktır.
Su haznesi yerinde değil su haznesindeki su seviyesi çok düşük fakat  cihaz uyarı vermiyor.	Su haznesi konnektörünün yakınındaki alan ıslak olabilir.	Su haznesi konnektörünün çevresindeki suyu silin.
İç damlama tepsisinde çok fazla su var.	Toz kahve çok ince olduğu için suyun çıkmasını engelliyor olabilir.	Öğütme işlemi sırasında kahve inceliğini daha büyük bir noktaya ayarlayın.
Kahve çok yavaş ya da damla damla çıkıyor.	Toz kahve çok ince olduğu için suyun çıkmasını engelliyor olabilir.	Öğütme işlemi sırasında kahve inceliğini daha büyük bir noktaya ayarlayın.
Çekirdek yok göstergesi yanıp sönüyor fakat haznedeki hâlâ çok miktarda kahve çekirdeği var.	İçerideki toz kahve çıkışı tıkanmış olabilir.	Temizlik bölümünde verilen adımları izleyin.
Demlik ya da öğütülmüş kahve tepsisinin çıkarılması mümkün değildir.	Cihaz kendi kendini temizleme işlemini bitirmedi ve kapatıldı.	Lütfen makineyi tekrar açıp kendi kendini temizleme işlemini bitirmesini bekleyin.
Ürün kapandığında veya açıldığında yıkama çevrimi yapmıyor.	Üründe servis bakımı yapılırken yanlış işlem uygulanmış olabilir.	1. Ürün açıkken servis kapağını çıkarın. 2. 2 bip sesi duyana kadar açma/kapama düğmesine basılı tutun. 3. Servis kapağını kapatın.
Dokunmatik düğmeler hassas değil.	Dokunmatik düğmeye cihazın ön tarafından basılmıyor olabilir.	Dokunmatik düğme simgesinin alt kısmına cihazın tam karşısında durarak basın.

Müşteri Hizmetleri

Müşteri Memnuniyeti Politikası

- Müşterilerimizin istek ve önerilerini her kanaldan karşılamaktan mutluluk duyarız.

Kanallarımız:

* Çağrı Merkezimiz: 0850 210 0 888

(Sabit telefonlardan veya cep telefonlarından alan kodu çevirmeden arayın*)

* Diğer Numaramız: 0216 585 8 888

- Çağrı Merkezimiz haftanın 7 günü 24 saat hizmet vermektedir.

- Çağrı Merkezimiz ile yaptığınız görüşmeler iletişim hizmeti aldığınız operatör firma tarafından sizin için tanımlanan tarifeye göre ücretlendirilir.

- Sabit veya cep telefonlarınızdan alan kodu tuşlamadan çağrı merkezi numaramızı arayarak ürününüz ile ilgili arzu ettiğiniz hizmeti talep edebilirsiniz.

* Whatsapp Numaramız: 0544 444 0 888

* Faks Numaramız: 0216-423-2353

* Web Adresimiz:

- www.beko.com.tr

* e-posta Adresimiz:

- musteri.hizmetleri@beko.com

* Sosyal Medya Hesaplarımız:

- <https://www.instagram.com/bekoturkiye/>

- https://twitter.com/beko_tr

- <https://www.facebook.com/bekoturkiye/>

- <https://www.youtube.com/user/BekoChannel>

* Posta Adresimiz:

- Arçelik A.Ş. Karaağaç Caddesi No:2-6,
34445, Söğütözü / İSTANBUL

* Bayilerimiz,

- <https://www.beko.com.tr/yetkili-saticilar>

* Yetkili Servislerimiz,

- <https://www.beko.com.tr/yetkili-servis>

- Tüm yetkili servis istasyonu bilgilerimiz, Ticaret Bakanlığı tarafından oluşturulan "Servis Bilgi Sistemi"nde (www.servis.gov.tr) yer almaktadır.
- Yedek parça malzemeleri yetkili servislerimizden temin edilebilir.

- Müşterilerimizden iletilen istek ve önerilerin Beko'ya ulaştığı bilgisini, müşteri profili ayrımı yapılmaksızın kendilerine 24 saat içinde veririz.
- Müşteri Hizmetleri sürecimiz:
Müşterilerimizin istek ve önerilerini;
* İzlenebilir, raporlanabilir, şeffaf ve güvenli tek bir bilgi havuzunda toplarız.
* Yasal düzenlemelere uygun, objektif, adil ve gizlilik içinde ele alır ve değerlendiririz.
* Bu geri bildirimleri süreçlerimizin daha mükemmel hale getirilmesinde kullanırız.
- Beko olarak, mükemmel müşteri deneyimini yaşatmayı ana ilke olarak kabul eder, müşteri odaklı bir yaklaşım benimseriz.
- Bütün süreçlerimizi yönetim sistemi ile entegre ederek birbirini kontrol eden bir yapı geliştirilmesini sağlarız.
Yönetim hedeflerini de bu sistem üzerinden besleriz.

Aşağıdaki önerilere uymanızı rica ederiz.

- Ürününüzü aldığınızda Garanti belgesini Yetkili Satıcınıza onaylattırınız.
- Ürününüzü kullanma kılavuzu esaslarına göre kullanınız.
- Ürününüz ile ilgili hizmet talebiniz olduğunda yukarıdaki telefon numaralarından Çağrı Merkezimize başvurunuz.
- Hizmet için gelen teknisyene "teknisyen kimlik kartı"nı sorunuz.
- İşiniz bittiğinde Yetkili servis teknisyeninden "Hizmet Fişi" istemeyi unutmayınız. alacağınız "Hizmet Fişi" , ilerde ürününüzde meydana gelebilecek herhangi bir sorunda size yarar sağlayacaktır.
- Ürünün kullanım ömrü: 7 yıldır. (Ürünün fonksiyonunu yerine getirebilmesi için gerekli yedek parça bulundurma süresi)

Hizmet talebinin deęerlendirilmesi

1

Müşteri Başvurusu



Web sitesi



0850 210 0 888
Çaęrı merkezi



Yetkili Servis



musteri.hizmetleri
@beko.com.tr



Yetkili Satıcı



Faks
0216 423 2353

2

Başvuru kaydı

Başvuru Konusu
Müşteri Adı, Soyadı
Müşteri Telefonu
Müşteri Adresi

3

Hizmet talebinin alınması

- Hizmet talebi analizi
- Hizmet hakkında müşterinin bilgilendirilmesi (Keşif,nakiye,montaj,bilgi,onarım,deęişim vb.)
- Hizmet hakkında gerekli işlemin gerçekleştirilmesi

4

Müşteri memnuniyetinin alınması

Memnun

Memnun
deęil

5

Başvuru kaydının kapatılıp, bilgilerin saklanması

Bu kılavuzu okumadan ürününüzü çalıştırmayınız.

Ürününüz ile ilgili garanti şartları, kullanımı ve sorun giderme yöntemleri kılavuzda yer almaktadır.

Uygun Kullanım ve Garanti ile İlgili Dikkat Edilmesi Gereken Hususlar;

Aşağıda belirtilen sorunların giderilmesi ücret karşılığında yapılır. Bu durumlar için garanti şartları uygulanmaz;

- 1) Kullanım hatalarından kaynaklanan hasar ve arızalar,
- 2) Malın tüketiciye tesliminden sonraki yükleme, boşaltma, taşıma vb. sırasında oluşan hasar ve arızalar,
- 3) Malın kullanıldığı yerin elektrik (priz, gerilim, topraklama vb.), su (su basıncı, musluk vb.), doğalgaz, telefon, internet vb. şebekesi ve/veya altyapısı (gider, zemin, ortam vb.) kaynaklı meydana gelen hasar ve arızalar,
- 4) Doğa olayları ve yangın, su baskını vb. kaynaklı meydana gelen hasar ve arızalar,
- 5) Malın tanıtma ve kullanma kılavuzlarında yer alan hususlara aykırı kullanılmasından kaynaklanan hasar ve arızalar,
- 6) Malın, 6502 sayılı Tüketicinin Korunması Hakkındaki Kanununda tarif edilen şekli ile ticari veya mesleki amaçlarla kullanımı durumunda ortaya çıkan hasar ve arızalar,
- 7) Mala yetkisiz kişiler tarafından bakım, onarım veya başka bir nedenle müdahale edilmesi

Durumlarında mala verilmiş garanti sona erecektir.
Garanti uygulaması sırasında değiştirilen malın garanti süresi, satın alınan malın kalan garanti süresi ile sınırlıdır.

Bu ürün Arçelik A.Ş. adına Town Ray Electrical(Huizhou) Limited Jiang Bei, 84 Hao Xiao Qu, Xiao Jin Kou Town, Huizhou, GuangDong, 516023, China Tel: +86-752 2028218 tarafından üretilmiştir.

Menşei: P.R.C.

GARANTİ ŞARTLARI

- 1) Garanti süresi, malın teslim tarihinden itibaren başlar ve 2 yıldır.
- 2) Malın tanıtma ve kullanma kılavuzunda gösterildiği şekilde kullanılması ve Arçelik A.Ş.'nin yetkili kıldığı servis çalışanları dışındaki şahıslar tarafından bakım, onarım veya başka bir nedenle müdahale edilmemiş olması şartıyla, malın bütün parçaları dahil olmak üzere tamamını; malzeme, işçilik ve üretim hatalarına karşı malın teslim tarihinden itibaren yukarıda belirtilen süre kadar garanti eder.
- 3) Malın ayıplı olduğunun anlaşılması durumunda tüketici, 6502 sayılı Tüketicinin Korunması Hakkında Kanununun 11 inci maddesinde yer alan;
a- Sözleşmeden dönme, c- Ücretsiz onarılmasını isteme,
b- Satış bedelinden indirim isteme, ç- Satılanın ayıpsız bir misli ile değiştirilmesini isteme,
haklarından birini kullanabilir.
- 4) Tüketicinin bu haklardan ücretsiz onarım hakkını seçmesi durumunda satıcı; işçilik masrafı, değiştirilen parça bedeli ya da başka herhangi bir ad altında hiçbir ücret talep etmeksizin malın onarımını yapmak veya yaptırmakla yükümlüdür. Tüketici ücretsiz onarım hakkını ücretli veya ithalata karşı da kullanabilir. Satıcı, üretici ve ithalatçı tüketici bu hakkını kullanmasından müteselsilen sorumludur.
- 5) Tüketicinin, ücretsiz onarım hakkını kullanması halinde malın;
- Garanti süresi içinde tekrar arızalanması,
- Tamiri için gereken azami sürenin aşılması,
- Tamirinin mümkün olmadığı, yetkili servis istasyonu, satıcı, üretici yada ithalatçı tarafından bir raporla belirlenmesi durumlarında;

tüketici malın bedel iadesini, ayıp oranında bedel indirimi veya imkân varsa malın ayıpsız misli ile değiştirilmesini satıcıdan talep edebilir. Satıcı, tüketicinin talebini reddedemez. Bu talebin yerine getirilmemesi durumunda satıcı, üretici ile ithalatçı müteselsilen sorumludur.

- 6) İlgili mevzuatlarda belirlenen kullanım ömrü süresince malın azami tamir süresi 20 iş gününü, geçemez. Bu süre, garanti süresi içerisinde mala ilişkin arızanın yetkili servis istasyonuna veya satıcıya bildirim tarihi, garanti süresi dışında ise malın yetkili servis istasyonuna teslim tarihinden itibaren başlar. Garanti kapsamı içerisindeki malın arızasının 10 iş günü içerisinde giderilememesi halinde, üretici veya ithalatçı; malın tamiri tamamlanmaya kadar, benzer özelliklere sahip başka bir malı tüketicinin kullanımına tahsis etmek zorundadır. Benzer özelliklere sahip başka bir malın tüketici tarafından istenmemesi halinde üretici veya ithalatçılar bu yükümlülüğünden kurtulur. Malın garanti süresi içerisinde arızalanması durumunda, tamirde geçen süre garanti süresine eklenir.
- 7) Malın kullanma kılavuzunda yer alan hususlara aykırı kullanılmasından kaynaklanan hasar ve arızalar garanti kapsamı dışındadır.
- 8) Tüketici, garantiden doğan haklarının kullanılması ile ilgili olarak çıkabilecek uyuşmazlıklarda yerleşim yerinin bulunduğu veya tüketici işleminin yapıldığı yerdeki Tüketici Hakem Heyetine veya Tüketici Mahkemesine başvurabilir.
- 9) Satıcı tarafından bu Garanti Belgesinin verilmemesi durumunda, tüketici Ticaret Bakanlığı Tüketicinin Korunması ve Piyasa Gözetimi Genel Müdürlüğüne başvurabilir.

Üretici veya İthalatçı Firmasının:

Unvanı: Arçelik A.Ş.
Adresi: Arçelik A.Ş. Karaağaç Caddesi No:2-6,
34445, Sıtlıçe / İSTANBUL
Telefonu: (0-216) 585 8 888
Faks: (0-216) 423 23 53
web adresi: www.beko.com.tr

Malın

Markası: Beko
Cinsi: Tam Otomatik Kahve Makinesi
Modeli: CEG 3192 B
Bandrol ve Seri No:
Garanti Süresi: 2 YIL
Azami Tamir Süresi: 20 İş günü

GENEL MÜDÜR

Arçelik A.Ş.

GENEL MÜDÜR YRD.

Satıcı Firmasının:

Unvanı:
Adresi:
Telefonu:
Faks:
e-posta:

Fatura Tarih ve Sayısı:
Teslim Tarihi ve Yeri:
Yetkilinin İmzası:
Firmanın Kaşesi:

Bu bölümü, ürünü aldığınız Yetkili Satıcı imzalayacak ve kaşeleyecektir.

¡Lea el Manual del usuario antes del uso!

Estimados Clientes,

Gracias por elegir un producto Beko. Esperamos que obtenga los mejores resultados con su producto, el cual ha sido fabricado con altas calidades y la última tecnología. Por lo tanto, le rogamos que lea detenidamente este manual de usuario y todos los demás documentos que lo acompañan antes de utilizar el producto y que lo conserve como referencia para un uso futuro. Si entrega el producto a otra persona, facilítele también el manual de usuario. Siga todas las advertencias e información del manual de usuario.

Significados de los símbolos

Los siguientes símbolos se utilizan en las distintas secciones de este manual:



Información adicional o consejos útiles sobre el uso.



PELIGRO: Advertencia para situaciones de riesgo con respecto a la vida y la propiedad.



ADVERTENCIA: Advertencia indica una situación potencialmente peligrosa.



PRECAUCIÓN: Advertencia indica posibles daños materiales.



Materiales destinados a entrar en contacto con alimentos.



Este producto se ha producido en instalaciones de última generación respetuosas con el medio ambiente.

No contiene PCB.

1 Instrucciones importantes respecto a seguridad y medio ambiente

Esta sección incluye las instrucciones de seguridad que ayudarán a proporcionar protección contra lesiones personales y los riesgos de pérdida de material. El incumplimiento de estas instrucciones causará la pérdida de la garantía.

1.1 Peligro de corriente eléctrica

¡Peligro de muerte por corriente eléctrica!

¡El contacto con cables o componentes bajo tensión puede provocar lesiones graves e incluso la muerte!

Observe las siguientes precauciones de seguridad para evitar descargas eléctricas:

- No utilice el aparato si el cable de corriente o el aparato están dañados. Comuníquese con el servicio técnico autorizado.

- No abra la carcasa de la cafetera. Peligro de descarga eléctrica si se tocan las conexiones eléctricas y/o se cambia la configuración eléctrica y mecánica.
- Antes de limpiar el contenedor de granos de café, desenchufe el aparato de la toma de corriente. ¡Peligro por rotación del molino de café!

1.2 Peligro de quemaduras o escaldaduras

¡Las partes de la cafetera pueden calentarse mucho durante el funcionamiento! ¡Las bebidas dispensadas y el vapor de escape están muy calientes! Observe las siguientes precauciones de seguridad para evitar quemarse/escaldarse a sí mismo y/o a otros:

- No toque ninguno de los manguitos metálicos de las dos boquillas de salidas del café.

1 Instrucciones importantes respecto a seguridad y medio ambiente

- Evitar el contacto directo de la piel con el vapor de escape o el agua caliente de lavado, limpieza y descalcificación.

1.3 Precauciones básicas de seguridad

Observe las siguientes precauciones de seguridad para garantizar una manipulación segura de la cafetera:

- Nunca juegue con el embalaje. Riesgo de asfixia. Mantenga todos los materiales de embalaje lejos de los niños.
- Antes de utilizar la cafetera, revísela para ver si tiene algún daño visible. No utilice una cafetera dañada. Contacte con un servicio de atención al cliente autorizado.
- Si el cable de conexión está dañado, sólo debe sustituirse por un agente de mantenimiento recomendado por el fabricante para evitar cualquier peligro. Póngase en contacto con el fabricante o con su servicio de atención al cliente.
- La reparación de la cafetera sólo debe ser realizada por un especialista autorizado o por el servicio de asistencia técnica. Las reparaciones no cualificadas pueden suponer un peligro considerable para el usuario. También anularán la garantía.
- Las reparaciones de la máquina de café durante el período de garantía sólo pueden ser realizadas por los centros de servicio autorizados por el fabricante, de lo contrario la garantía quedará anulada en caso de daños posteriores.
- Las piezas defectuosas sólo deben sustituirse por piezas de repuesto originales. Sólo las piezas de repuesto originales garantizan el cumplimiento de los requisitos de seguridad.

1 Instrucciones importantes respecto a seguridad y medio ambiente

- Este aparato puede ser utilizado por niños a partir de los 8 años, así como por personas con capacidades físicas, sensoriales o mentales reducidas o con poca experiencia y/o conocimientos, si estas personas son supervisadas o han sido instruidas sobre el uso del aparato de forma segura y han entendido los peligros que pueden derivarse de su uso. Los niños no deben jugar con el aparato. La limpieza y el mantenimiento del usuario no deben ser realizados por niños a menos que sean mayores de 8 años y estén supervisados.
- Este aparato está destinado al uso doméstico y aplicaciones similares tales como:
 - cocinas para uso del personal de tiendas, oficinas y otros entornos laborales,
 - casa rurales,
 - a través de clientes en hoteles, hostales o cualquier otro tipo de entorno residencial,
 - entornos de tipo "habitación y desayuno".
- Proteja la cafetera de los efectos del clima, como la lluvia, las heladas y la luz solar directa. No utilice la cafetera al aire libre.
- No sumerja nunca la cafetera, el cable de alimentación o el enchufe de red en agua u otros líquidos.
- No limpie la cafetera o los accesorios en un lavavajillas.
- No vierta ningún otro líquido aparte del agua o coloque productos alimenticios en el tanque de agua.
- No llenar el depósito de agua por encima de la marca máxima (borde inferior del orificio de llenado).
- Utilice la máquina únicamente cuando estén instalados el depósito de residuos, la bandeja de goteo y la rejilla para vasos.

1 Instrucciones importantes respecto a seguridad y medio ambiente

- No tire del cable para retirar el enchufe de la toma de corriente ni lo toque con las manos mojadas.
- No sostenga la cafetera con el cable de red.
- Mantenga el aparato y el cable fuera del alcance de niños menores de 8 años.
- La cafetera sólo se puede utilizar para preparar café.
- Debe vigilarse a los niños a fin de asegurarse que no jueguen con el aparato.
- Desenchufe el aparato antes de cada limpieza y cuando el aparato no esté en uso.
- Coloque el aparato de manera que el enchufe sea siempre accesible.
- Siempre use el aparato en una superficie estable, plana, limpia, seca y antideslizante.
- Esta cafetera no es empotrable y por tanto no debe utilizarse dentro de muebles a tal efecto. Tampoco se deberá colocar la cafetera dentro de ningún mueble mientras esté en uso.
- No apriete ni doble el cable de corriente; no lo roce con bordes afilados para evitar que se dañe. Manténgalo alejado de las superficies calientes y de las llamas.
- Su fuente de alimentación debe ser conforme a la información que se indica en la placa de datos del aparato.
- Utilice el aparato sólo con una toma de corriente con conexión a tierra.
- No utilice este aparato con un cable alargador.
- No toque el enchufe si sus manos están mojadas o húmedas cuando el aparato está enchufado.

1 Instrucciones importantes respecto a seguridad y medio ambiente

1.4 Uso previsto

La cafetera completamente automática Beko está diseñada para su uso en el hogar y aplicaciones similares, por ejemplo en cocinas de personal, tiendas, oficinas y áreas similares o por clientes en habitaciones de huéspedes, hoteles, moteles y otros alojamientos. Esta máquina de café no está diseñada para uso comercial. La máquina sólo está diseñada para preparar café y calentar leche y agua. Cualquier otro uso distinto del indicado anteriormente se considera como uso indebido.

¡Peligro por uso inadecuado!

Si no se utiliza para el uso previsto o se usa de cualquier otra manera, la cafetera puede ser o convertirse en una fuente de peligro.



ADVERTENCIA: Por lo tanto, la máquina de café sólo puede utilizarse para el uso previsto.



ADVERTENCIA: Observe los procedimientos descritos en este manual de instrucciones.

No se aceptarán reclamaciones de ningún tipo por daños o lesiones como consecuencia del uso de la máquina de café para fines distintos a los previstos.

El riesgo tiene que ser asumido exclusivamente por el propietario de la máquina.

1.5 Limitación de responsabilidad

Toda la información técnica, los datos y las instrucciones de instalación, funcionamiento y mantenimiento de la cafetera que se encuentran en estas instrucciones de servicio representan el estado actual en el momento de la impresión y se basan en los mejores conocimientos y experiencias adquiridas.

Las informaciones, ilustraciones y descripciones contenidas en este manual de instrucciones no son susceptibles de reclamación.

El fabricante no asume ninguna responsabilidad por daños o lesiones que resulten del incumplimiento del manual de usuario, uso de parafines distintos al previsto, reparaciones no profesionales, modificaciones no autorizadas o el uso de piezas de repuesto no autorizadas.

1 Instrucciones importantes respecto a seguridad y medio ambiente

1.6 Conformidad con la normativa WEEE y eliminación del aparato al final de su vida útil:

Este producto es conforme con la directiva de la UE sobre residuos de aparatos eléctricos y electrónicos (WEEE) (2012/19/UE). Este producto incorpora el símbolo de la clasificación selectiva para los residuos de aparatos eléctricos y electrónicos (WEEE).



Este símbolo indica que este producto no debe eliminarse con otros desechos domésticos al final de su vida útil. El dispositivo usado debe ser devuelto al punto de recogida oficial para el reciclaje de los dispositivos eléctricos y electrónicos. Para encontrar estos sistemas de recogida, por favor, póngase en contacto con las autoridades locales o con el distribuidor donde se compró el producto. Cada hogar desempeña un papel importante en la recuperación y el reciclaje de los aparatos antiguos. La eliminación adecuada de los aparatos usados ayuda a prevenir las posibles consecuencias negativas para el medio ambiente y la salud humana.

1.7 Conformidad con la Directiva RoHS

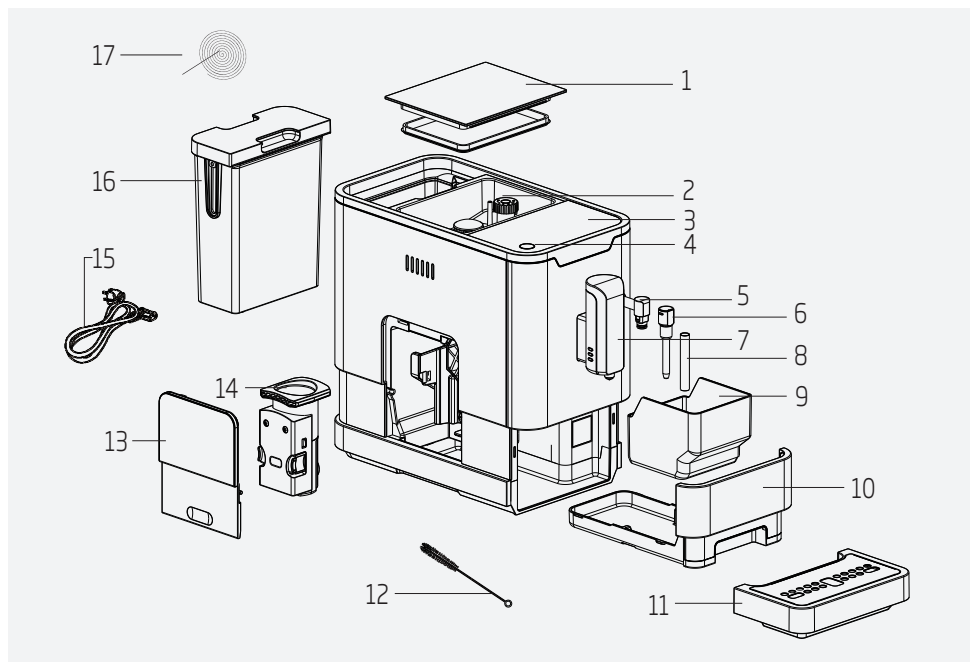
El producto que ha adquirido cumple con la directiva RoHS de la UE (2011/65/UE). No contiene materiales peligrosos ni prohibidos especificados en la Directiva.

1.8 Información de embalaje



El embalaje del producto está fabricado a partir de material reciclable de acuerdo con la Normativa nacional sobre medio ambiente. No se deshaga de los materiales de embalaje junto con los desechos domésticos o de otro tipo. Llévelos a los puntos de recogida de material de embalaje designados por las autoridades locales.

2 Su Cafetera Totalmente Automática



1. Cubierta de Recipiente de Granos de Café
2. Recipiente de Granos de Café
3. Panel de Control
4. Botón de Encendido/Apagado
5. Boquilla de Vapor
6. Cubierta de Boquilla
7. Boquilla de café ajustable
8. Tubo de metal
9. Contenedor de Poso de Café
10. Bandeja Interna de Goteo
11. Bandeja Externa de Goteo
12. Cepillo de Limpieza
13. Tapa de Servicio
14. Mezclador
15. Cable de corriente
16. Depósito de agua
17. Aguja de limpieza

Datos técnicos

Corriente:

220-240 V~, 50-60 Hz


Corriente: 1350 W

Modificaciones técnicas y de diseño reservadas.

Todos los valores declarados sobre el producto y en los folletos impresos fueron recopilados después de las mediciones de laboratorio realizadas conforme a los estándares relacionados. Estos valores pueden variar en función del uso y las condiciones ambientales.

3 Pantalla

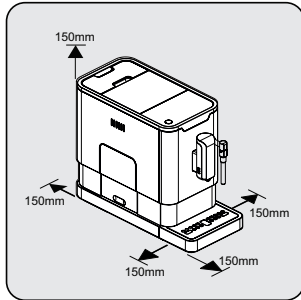
3.1 Panel de mandos

	Parpadeando: Bajo nivel de agua/Ausencia de depósito de agua
	No suficientes granos de café
	Luz de advertencia constante: El contenedor de granos de café está lleno Luz intermitente: Ausencia de bandeja interna de goteo y contenedor de posos de café.
	Luz de advertencia constante: Falta/ instalado incorrectamente el mezclador Luz intermitente: La tapa de servicio está abierta / instalada incorrectamente
	Luz de advertencia constante: Requiere descalcificación Luz intermitente: Descalcificación está en curso
	La Función de Vaciado del Sistema está en marcha
	Botón de ENCENDIDO/APAGADO
	Botón de Vapor
	Botón de Agua Caliente
	Botón de Espresso Fuerte (25-40 ml de café pulsando un solo botón)
	Botón de Espresso Suave (51-69 ml de café pulsando un solo botón)

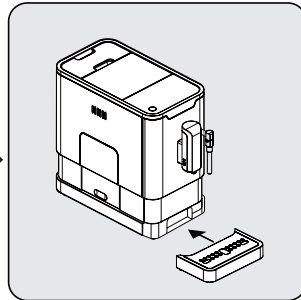
4 Preparación

4.1 Instalación

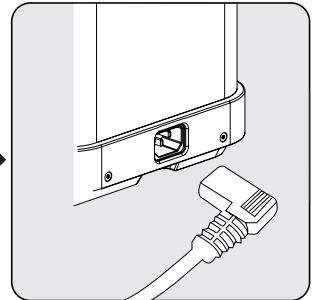
i Quite todas las láminas protectoras, pegatinas y cualquier otro material de embalaje del aparato.



Elija una superficie segura y estable con una fuente de alimentación de fácil acceso y deje la mínima distancia posible de los lados de las máquinas.



Inserte la bandeja externa de goteo. Asegúrese de que esté insertada adecuadamente.



Afloje y tense el cable de alimentación e inserte el enchufe en la toma situada en la parte posterior de la máquina. Inserte el otro extremo del cable de alimentación en una toma de corriente con la tensión de alimentación adecuada.

4.2 Llenado del depósito de agua



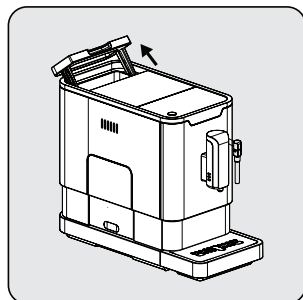
Sobre el programa de protección: En caso de que el tanque de agua no esté completamente introducido en la máquina, se activará un modo de protección en 15 segundos durante el proceso de mezcla. En el panel de control se iluminará el botón de agua caliente.

1. Asegúrese de que el depósito de agua esté completamente insertado en la máquina.
2. Pulse el botón de agua caliente. Una vez que se haya dispensado el agua caliente, la máquina se pondrá en estado de espera.

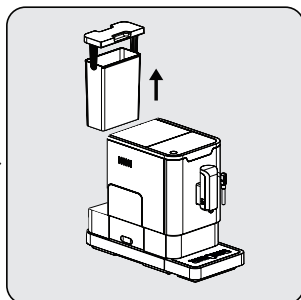


ADVERTENCIA: Si  parpadea, el depósito de agua se encuentra a un nivel bajo de agua y requiere ser llenado.

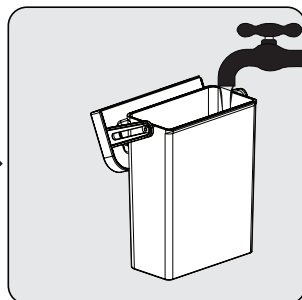
4 Preparación



Eleve el depósito de agua utilizando la tapa como asa.



Retire el depósito de agua.



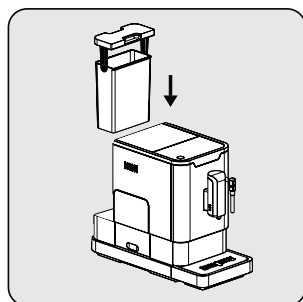
Enjuague el depósito de agua con agua fresca y luego rellene el depósito hasta el nivel Máx y póngalo de nuevo en la máquina. Asegúrese de que esté totalmente insertado.



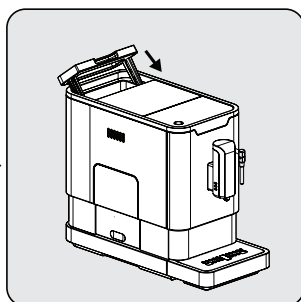
No agregue agua directamente al aparato con otro recipiente con el fin de evitar que se desborde el agua del depósito.



ADVERTENCIA: Nunca llene el depósito de agua con agua caliente o tibia, agua con gas o cualquier otro líquido que pudiera dañar el depósito de agua y la máquina.



Vuelva a poner el depósito de agua en su lugar utilizando la tapa como asa.

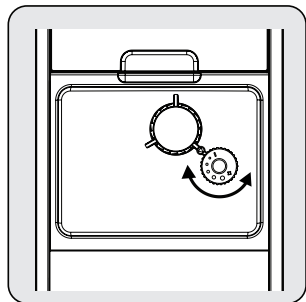


Cierre el depósito de agua utilizando la tapa.

5 Operación

5.1 Ajuste de Molienda

Puede ajustar la molienda para que se adapte al sabor del café girando la perilla de ajuste que se encuentra en el recipiente de granos:



ADVERTENCIA: Nunca ajuste el molino cuando esté en uso.

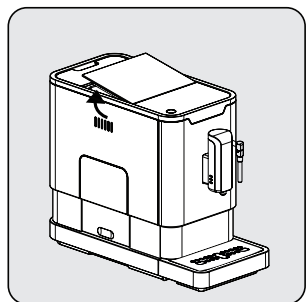


La finura del molido se indica mediante los puntos de la perilla del ajustador.

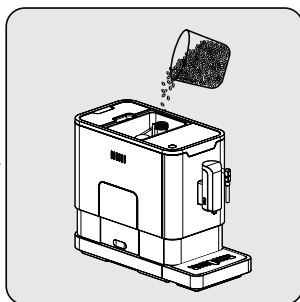
5.2 Llenado del contenedor de granos



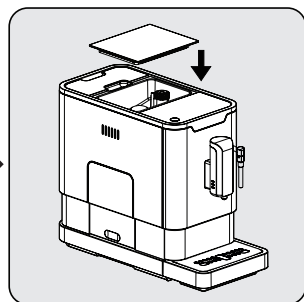
Si  parpadea, el aparato debe llenarse con granos de café.



Quite la tapa del contenedor de granos.



Vierta poco a poco los granos de café.



Vuelva a colocar la tapa del recipiente.

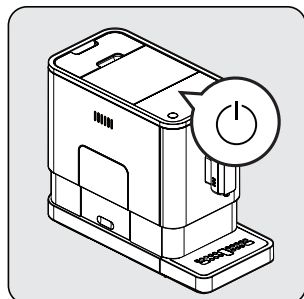


ADVERTENCIA: Llene el recipiente de granos de café sólo con granos de café. Café molido, café instantáneo, café caramelizado o cualquier otro elemento puede dañar la máquina.

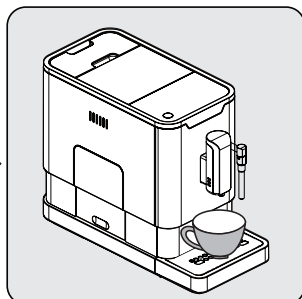
5 Operación

i Antes del primer uso, pulse el botón de agua caliente para limpiar el interior de la cafetera.

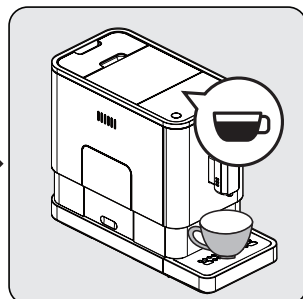
5.3 Preparación de Su Café



Encienda el aparato pulsando el botón de encendido/apagado. El aparato se enciende en el modo de espera y estará listo para su uso fluyendo un poco de agua caliente de la boquilla de café.



Ponga una taza debajo de la boquilla de café y ajuste la altura de la boquilla de acuerdo con el tamaño de la taza.



Pulse el botón de espresso y la luz se encenderá, y la iluminación indicará que el aparato está preparando una taza de café. Una vez que el aparato vuelva a ponerse en espera, el café estará listo para servir.

i Apague el aparato pulsando el botón de encendido/apagado.

i Pulse el botón de espresso fuerte o el botón de espresso suave, según el sabor de café que prefiera.

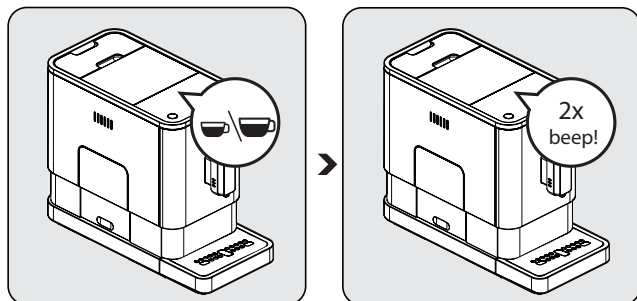
i Antes del primer uso, pulse el botón de agua caliente para limpiar el interior de la cafetera.

i El aparato dispone de un sistema de autoapagado. En función del modo que haya seleccionado, el aparato tendrá diferentes tiempos de apagado automático.

5 Operación

5.4 Ajuste de Cantidad de Café/Agua Caliente

La cantidad de café deseada para el espresso fuerte y el espresso suave, así como el agua caliente se puede guardar entre 25 y 250 ml.



Al preparar el café (ya sea un espresso fuerte o un espresso suave), mantenga pulsado el botón que ha seleccionado. Mientras se mantiene pulsado el botón, el aparato continuará preparando el café.

Una vez que se alcance la cantidad de café deseada, suelte el botón. La emisión de dos pitidos indica que la máquina ha guardado la cantidad de café que usted prefiere.

Para volver a los ajustes por defecto/de fábrica:

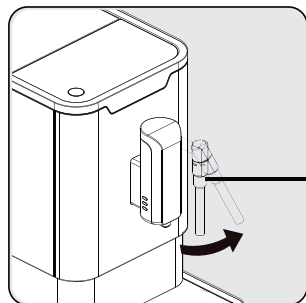
Para volver a los ajustes por defecto relativos a la selección del volumen de café y de agua caliente registrados en la memoria, es necesario restablecer los ajustes de fábrica.

1. Estando el aparato apagado, quite las bandejas de goteo interior y exterior,
 2. Quite la cubierta de servicio,
 3. Quite la jarra,
 4. Coloque la cubierta de servicio,
 5. Pulse durante 5 segundos la tecla de encendido-apagado (emite 2 pitidos)
 6. Abra la cubierta de servicio,
 7. Coloque la jarra,
 8. Cierre la cubierta de servicio,
 9. Coloque la bandeja de goteo.
- El aparato ha vuelto a los ajustes de fábrica.

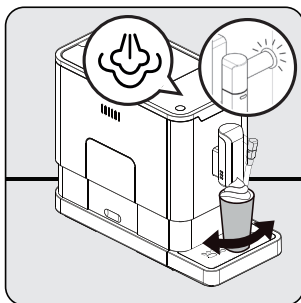
5 Operación

5.5 Preparación de Leche Espumosa para el Café

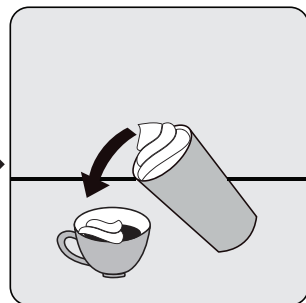
i Café espresso se debe preparar antes de preparar la leche espumosa ya que la temperatura del vapor es más alta que la temperatura del espresso. En caso contrario, el espresso se podría quemar.



Prepara el café espresso con una taza más grande. Gire la boquilla de vapor hacia la Bandeja de goteo.



Pulse el botón de vapor. Parpadeará la luz indicadora de vapor. Luego el aparato calentará el agua residual y la drenará en la bandeja de goteo o en otro contenedor. Una vez que la luz indicadora de vapor deje de parpadear y se mantenga constante, ponga un recipiente con leche debajo de la boquilla de vapor y sumerja la boquilla de vapor a unos 5 cm de profundidad en el recipiente. Gire el contenedor mientras sale el vapor caliente.



Vierta la leche espumosa caliente en el espresso. ¡Ahora puede disfrutar de su café!

i Después de utilizar la boquilla de vapor, por favor, limpie los residuos de leche de la boquilla mediante un trapo húmedo.

i Es recomendable eliminar cualquier residuo de leche que pueda acumularse en la punta de la boquilla mediante la activación de la función de agua caliente de la boquilla.

5.6 Agua Caliente

El aparato puede suministrar agua caliente simplemente pulsando el botón de agua caliente. El botón de agua caliente y la iluminación indica que el aparato está calentando el agua. Cuando el botón de agua caliente y la iluminación se desactivan, el agua está lista para servir.

5.7 Selección de Modo



La máquina cuenta con tres ajustes diferentes: el ajuste predeterminado, el modo ECO y el modo rápido. En el modo ECO, el aparato ahorra más energía. En el modo rápido, el usuario puede preparar su café más rápidamente con respecto al ajuste predeterminado.




5 Operación


	Modo ECO	Modo Rápido	Configuración Predeterminada
Luz de Iluminación	No	Sí	Sí
Mezcla previa*	Sí	No	Sí
Temporizador de apagado automático	10minutos	30minutos	20minutos
Memoria del volumen de taza	Sí	Sí	Sí



La función de mezclado previo humedece los granos molidos con una pequeña cantidad de agua antes de la extracción completa. Esto hace que el café se expanda para crear una mayor presión en la cafetera, lo que ayuda a extraer todos los aceites y sacar todo el sabor de los granos.

1. Cuando la máquina está en modo de espera, mantenga pulsado el botón  durante 5 segundos.
2. Parpadeará  y el siguiente botón tendrá las siguientes indicaciones para los diferentes ajustes:

	Botón de agua caliente 	Botón de espresso fuerte 	Botón de espresso suave 
En Modo ECO	Luces Encendidas	Parpadeando	Parpadeando
En Modo Rápido	Sí	No	Parpadeando
En Configuración Predeterminada	Parpadeando	Parpadeando	Luces Encendidas

3. Para el Modo ECO pulse el botón de agua caliente, para el modo rápido pulse el botón de café espresso fuerte y para los ajustes predeterminados pulse el botón de café espresso suave. Al seleccionar el modo escuchará dos pitidos. (Nota: Al pulsar el botón de encendido de las luces de cada modo, la máquina no responderá.
4. En caso de que desee que el ajuste no cambie, vuelva a pulsar  o espere 5 segundos para que la máquina vuelva a la condición de espera.

6 Limpieza

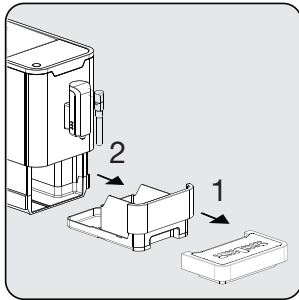
6.1 Limpieza del aparato

1. Desenchufe el cable de alimentación de la toma de corriente.
2. Vierta toda el agua en la bandeja de goteo interna y externa.
3. Utilice un paño húmedo o un limpiador que no raye para limpiar las manchas de agua del aparato.

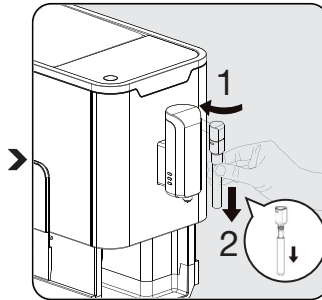


ADVERTENCIA: Para limpiar el aparato, nunca utilice agentes abrasivos, vinagre o desincrustantes que no estén incluidos en la caja.

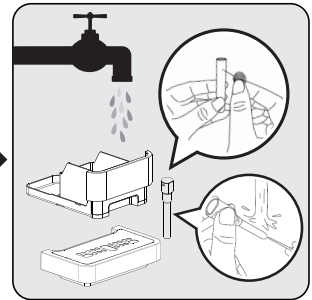
Para prolongar la vida útil del aparato, es muy importante limpiarlo y mantenerlo a tiempo.



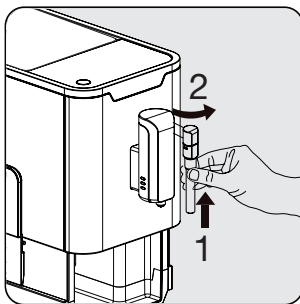
Retire la bandeja externa de goteo. Abra deslizando la bandeja interna de goteo y el contenedor de posos de café.



Quite el tubo metálico tirando de él hacia abajo. Luego desbloquee la tapa de boquilla girando hacia la izquierda para desmontar la tapa de boquilla y el tubo metálico.




Vacíe el contenedor de posos de café y la bandeja externa de goteo. Lave el tubo metálico con agua corriente tibia y utilice aguja o cepillo para limpiar el orificio. Lave la tapa de boquilla con agua corriente tibia y utilice aguja o cepillo para limpiar el orificio. Séquelos posteriormente.

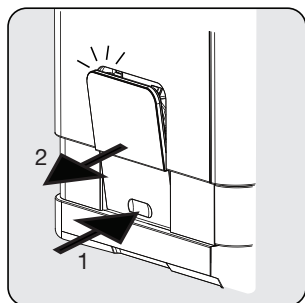


Vuelve a montar el tubo metálico en la cubierta de la boquilla. Después empuje hacia arriba para volver a colocar la tapa de la boquilla. Y gírela hacia la derecha para fijarla.

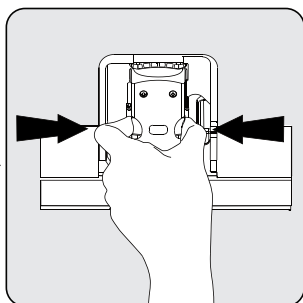


Cuando se enciende , es necesario vaciar el contenedor de posos de café. Este icono se encenderá después de cada 10 preparaciones de café. Limpie el contenedor para restablecer el icono. Si el contenedor está limpio, bastará con retirar el contenedor y volver a colocarlo en su sitio.

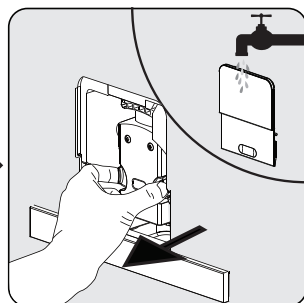
6 Limpieza



Pulse el área de desbloqueo, la tapa del servicio saldrá. A continuación, tire de la tapa de servicio.



Pulse los botones de liberación y tire hacia fuera.



Retire el mezclador. Lave el mezclador con agua fresca. Seque el mezclador posteriormente.




Cuando  se ilumina, indica que falta/mal instalado el mezclador. Cuando  parpadea, indica que falta/mal instalada la tapa de servicio.

6.2 Autolimpieza



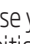


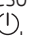
ADVERTENCIA: Por favor, espere que termine el proceso de autolimpieza y luego apague la máquina.

Cuando  parpadea, indica que el aparato necesita una autolimpieza. El aparato permanecerá en las mejores condiciones si esta función se ejecuta al menos una vez al mes o con mayor regularidad, en función de la dureza del agua utilizada. También debe llenar completamente

1. el depósito de agua.
2. Agregue un paquete de agente de limpieza en la caja al depósito de agua.






ADVERTENCIA: Para la autolimpieza de este aparato no utilice vinagre ni otros agentes de limpieza. El agente de limpieza podría dañar el aparato.

3. Enchufe el aparato.
4. Ponga un recipiente de suficiente tamaño debajo de la boquilla de café y la salida.
5. En el modo de espera, pulse y mantenga pulsado el botón  y de café espresso fuerte  durante 5 segundos. Escuchará un pitido y el botón de espresso fuerte  parpadeará.
6. A fin de confirmar el proceso de autolimpieza, pulse el botón de espresso fuerte. Con el fin de volver al modo de espera, pulse .
7. Cuando parpadea, significa que el aparato se está autolimpiando.

6 Limpieza








ADVERTENCIA: Proteja la piel/el cuerpo contra el agua caliente.

- Una vez que se haya vaciado toda el agua del depósito de agua, el botón  y botón de autolimpieza  parpadeará. Elimine toda la solución que queda en el depósito de agua y llene el depósito con agua corriente hasta la posición máx. Una vez que el tanque está lleno,  se apagará. Luego el aparato continuará el proceso de autolimpieza.
- Una vez que el proceso de autolimpieza se complete, el aparato se apagará de forma automática.

6.3 Función de Vaciado del Sistema

Antes de un largo período de inactividad, para protegerse de las heladas, y antes de comunicarse con un agente de reparación, utilice la función de vaciado del sistema.






- En la condición de espera, pulse y mantenga pulsado el botón  y el botón del espresso suave  juntos durante 5 segundos.
-  comenzará a parpadear a continuación.
- Retire el depósito de agua del aparato.  se iluminará indicando que el sistema de vaciado está en marcha. Antes de retirar el depósito de agua, pulse  para volver al modo de espera.
- Una vez que la función de vaciado del sistema se complete, el aparato se apagará de forma automática.



ADVERTENCIA: Una vez realizada la FUNCIÓN DE VACIADO DE SISTEMA, pulse el botón de agua caliente hasta que salga agua por la boquilla cuando la cafetera se vuelva a utilizar.

6.4 Enjuague Manual

Para limpiar la boquilla de café después de su uso, puede enjuagarla manualmente. En caso de que el aparato no se haya utilizado durante un largo período de tiempo, un enjuague manual puede ser una buena idea.

- En modo de espera, pulse y mantenga pulsado el botón  y el botón de agua caliente  juntos.
- Entonces se apagará el botón de agua caliente , el botón de espresso fuerte  y el botón de espresso suave . Luego la boquilla de café dispensará una poca cantidad de agua que se utiliza para enjuagar.



ADVERTENCIA: El agua que sale de la boquilla de café está caliente y se recoge en la bandeja de goteo que está debajo. Evite el contacto ya que salpica alrededor.

- Tras el enjuague, el aparato volverá al modo de espera.

6 Limpieza

Cancelación del modo de limpieza automática


Su aparato se limpia automáticamente antes y después de cada elaboración de cerveza. Puede seguir los siguientes pasos para cancelar el m*. Encienda el aparato pulsando el interruptor de encendido y apagado y espere hasta que se ponga en posición de espera.

- Abra la tapa de mantenimiento.
- Presione el interruptor On-Off durante 5 segundos, se escuchará un pitido.
- Cierre la tapa de mantenimiento.
- Ahora, la operación de autolimpieza se cancela.



Le recomendamos usar habitualmente la limpieza automática para un funcionamiento óptimo.

7 Solución de problemas

Problema	Causa	Solución
La cafetera no funciona.	El aparato no está conectado a red.	Enchufe y pulse el interruptor. Revise el cable y el enchufe.
Ninguna respuesta o respuesta retrasada tras pulsar varias veces una tecla de función en el panel	El aparato está bajo una interferencia electromagnética. Suciedad en el panel.	Desenchufe el aparato. Vuelva a ponerlo en marcha después de unos minutos Limpie el panel con el paño suministrado.
El café no está suficientemente caliente.	Las tazas no han sido precalentadas. La unidad de mezcla está demasiado fría.	Caliente la taza mediante la función de vapor antes de preparar el café o enjuague la taza con agua caliente. Asegúrese de que el agua que está en el depósito de agua no esté muy fría.
El café no puede salir por el tubo de salida.	Es posible que la función de vaciado del sistema se haya utilizado antes. Es posible que el tubo de salida de café no haya sido limpiado y obstruido por residuos de café.	Pulse el botón de agua caliente hasta que salga agua por la salida. Limpie la salida de café.
La primera taza de café es de mala calidad.	En el primer ciclo de molienda no se vierte la cantidad suficiente de café en la unidad de mezcla.	Eche el café. Las siguientes tazas serán mejor.
El depósito de agua se retira / el nivel de agua es muy bajo en el depósito de agua pero  no se emite alerta.	La zona cercana al conector del depósito de agua está mojada.	Elimine el agua que hay alrededor del conector del depósito de agua.
La bandeja interna de goteo está llena de mucha agua.	El café molido es muy fino, lo cual bloquea la salida del agua.	Ajuste la fineza del café a un punto más grande durante el funcionamiento de la molienda.
La salida del café es demasiado lenta o una gota a la vez.	El café molido es muy fino, lo cual bloquea la salida del agua.	Ajuste la fineza del café a un punto más grande durante el funcionamiento de la molienda.
El indicador parpadea indicando que no existen suficientes granos de café, cuando existen muchos granos en el contenedor.	La salida interna de los posos de café está bloqueada.	Para limpiar la salida de los posos de café, siga los pasos que se describen.
Es imposible quitar el mezclador o la bandeja de posos de café.	El aparato no completó el proceso de autolimpieza y se apagó.	Por favor, encienda la máquina de nuevo y permita que complete el proceso de autolimpieza.
Al conectar o desconectar el aparato, éste no realiza más el ciclo de enjuague.	El manejo inapropiado durante el mantenimiento del aparato puede ser la causa de esto.	1. Una vez que el aparato esté encendido, quite la tapa de servicio. 2. Pulse y mantenga pulsado el botón de encendido y apagado hasta que oiga 2 pitidos. 3. Coloque nuevamente la tapa de servicio.
Los botones táctiles no son sensibles.	No pulsar el botón táctil desde la dirección delantera del aparato.	Pulse la parte inferior del icono del botón táctil desde la dirección frontal del aparato.



**Contacto para asistencia técnica:
902 877 665/ 932 992 581**

CONDICIONES DE GARANTIA - ESPAÑA

El presente certificado cubre la garantía de reparación de su electrodoméstico durante dos años, a partir de la fecha de venta, contra todo defecto de funcionamiento proveniente de fabricación o materiales; o de sustitución del aparato, salvo que una de estas opciones resulte imposible o desproporcionada respecto de la otra. Cuando usted detecte un defecto o anomalía en el aparato contacte de forma inmediata con nosotros, un plazo de dos meses es el límite para informarnos de la falta de conformidad. El cargo de desplazamiento está incluido en la reparación, excepto para pequeños electrodomésticos que pueden ser transportados al taller del servicio oficial de la marca. En caso de sustitución, el plazo de garantía se suspende y el nuevo aparato mantendrá el periodo de vigencia del aparato sustituido, y como mínimo 6 meses de garantía.

La presente garantía sólo será válida si se presenta factura, ticket de compra o el albarán de entrega del producto correspondiente si éste fuera posterior a la fecha de factura. La presente garantía es válida en el territorio español y portugués para los aparatos distribuidos por Beko Electronics España S.L.. La garantía sólo tendrá validez sobre el primer comprador o adquirente del producto. La garantía será válida para aparatos adecuados a las condiciones climáticas y medioambientales en que estén ubicados.

EXCLUSIONES DE LA GARANTIA

El coste de la reparación será a cargo del usuario en los siguientes casos:

- Los aparatos utilizados para uso profesional o no exclusivamente doméstico, en establecimientos públicos, industriales o comerciales.
- Los aparatos desmontados o manipulados por personas ajenas a los servicios técnicos expresamente autorizados.
- Las instalaciones, transporte, sustitución de aparatos, puestas en marcha, cambio de sentido de puertas.
- Intervenciones de mantenimiento o de información sobre el uso de los aparatos.
- Cambio de inyectores en aparatos de gas.
- Las averías provocadas por falta de mantenimiento o limpieza o aquellas provocadas por un uso indebido, sobrecarga, abandono o de manera no conforme a las instrucciones de uso o de instalación de los aparatos.
- Las averías producidas por causas fortuitas, siniestros de fuerza mayor o derivados de instalación incorrecta y en general, averías por causas ajenas al propio aparato.
- Las averías provocadas por conexiones que puedan presentar fluctuaciones, irregularidades o falta de uniformidad en el suministro, por ejemplo: suministro de agua impulsado por grupos de presión, energía solar, energía eólica, generadores eléctricos, u otro tipo de suministro no normalizado.
- La sustitución de materiales rotos o deteriorados por desgaste o uso normal del aparato tales como juntas, plásticos, gomas, correas, cristales, escobillas, bombillas, asas, tiradores, tapas de quemadores, filtros, rejillas, ánodos de sacrificio (magnesio o similares) de calentadores o calderas, etc.
- Los aparatos que presenten oxidación, o daños por corrosión en esmaltes o pinturas, que puedan ser provocados por efectos químicos o electroquímicos del agua o cualquier otra sustancia, o aceleradas por circunstancias ambientales o climáticas no propias.
- Defectos estéticos en serigrafía o pintura.
- Los daños de transporte o manipulación, golpes, etc.
- Los aparatos deben instalarse de forma accesible para su reparación, debiendo asumir el usuario los costes necesarios para el acceso al aparato para su reparación y sustitución.

La presente garantía no afecta a los derechos de que dispone el consumidor conforme a lo previsto en el Real Decreto 1/2007, de 16 de noviembre, por el que se aprueba el texto refundido de la Ley General para la Defensa de los Consumidores y Usuarios y otras leyes complementarias, y la Ley 3/2014 que la modifica.

El Servicio Oficial de Asistencia Técnica resolverá cualquier incidencia que pudiera precisar su electrodoméstico siempre que el aparato esté instalado de forma accesible.

Para asegurarse que su electrodoméstico va a ser intervenido por un técnico oficial autorizado, rogamos solicite el carnet avalado por ANFEL (Asociación Nacional de Fabricantes de Electrodomésticos) a nuestros técnicos.

Las marcas BEKO, ALTUS, ARDEM, BLOMBERG, NORTLINE y GRUNDIG se distribuyen por Beko Electronics España S.L.

DATOS APARATO (a rellenar por el Distribuidor):

Titular:		Sello Establecimiento:
Modelo:	Núm. serie:	
Establecimiento:	Fecha de compra:	

El garante e importador de su electrodoméstico es: BEKO ELECTRONICS ESPAÑA S.L. Calle Provenza nº 388 3º Barcelona 08025, España. El producto ha sido fabricado por ARÇELIK A.S (Arçelik A.S.Şişliçe Karaağaç Cad. No:2-6 34445 Beyoğlu, Istanbul, Turkey).

Conózanos mejor en nuestra página: www.beko.es. Conserve este documento, es importante para usted.



**Contacte a assistência técnica:
00351 225191300/
00351 225191309**

CONDIÇÕES DE GARANTIA - PORTUGAL

Este certificado cobre a garantia de reparação do seu eletrodoméstico por dois anos a contar da data de compra, contra defeitos de funcionamento provenientes do fabrico ou dos materiais; ou de substituição do dispositivo, a menos que uma dessas opções seja impossível ou desproporcionada em relação à outra. Quando detetar um defeito ou anomalia no aparelho entre imediatamente em contacto connosco, existe um prazo limite de dois meses para nos informar sobre a falta de conformidade. O valor da deslocação está incluído na reparação, com exceção de pequenos aparelhos que podem ser transportados para a oficina do serviço oficial da marca. Em caso de substituição, o período de garantia fica suspenso e o aparelho irá manter o prazo de validade do aparelho substituído e no mínimo 6 meses de garantia.

Esta garantia só será válida se a fatura, recibo de venda ou a entrega do produto em questão for posterior à data da fatura. Esta garantia é válida em território espanhol e português para aparelhos distribuído pela Beko Electronics Espanha SL. A garantia só é válida para o primeiro comprador ou adquirente do produto. A garantia é válida para dispositivos adaptados às condições climáticas e ambientais em que se situam.

EXCLUSÕES DA GARANTIA

O custo da reparação será pago pelo utilizador nos seguintes casos:

- Aparelhos utilizados para uso profissional ou não exclusivamente doméstico, em estabelecimentos comerciais, industriais ou públicos.
- O equipamento desmontado ou adulterado por alguém que não seja expressamente autorizado pelos serviços técnicos.
- A instalação, transporte, substituição de equipamento, colocação em funcionamento, alteração do sentido das portas.
- Intervenções de manutenção ou informações sobre a utilização dos aparelhos.
- Alteração de injetores em aparelhos a gás.
- As avarias causadas pela falta de manutenção ou limpeza, ou aquelas causadas por um uso inadequado, sobrecarga, abandono ou de forma a não respeitar as instruções de uso ou instalação dos aparelhos.
- As avarias provocadas por causas acidentais, sinistros de força maior ou resultantes de instalação inadequada e em geral, avarias por razões não relacionadas com o produto.
- As avarias causadas por ligações que podem apresentar flutuações, irregularidades ou falta de uniformidade no fornecimento, por exemplo: abastecimento de água, impulsionado por pressão, energia solar, energia eólica, geradores de energia elétrica ou outro tipo de fornecimento não-padrão.
- Os materiais quebrados ou danificados por desgaste ou uso normal do aparelho tais como juntas, plásticos, borracha, correias, vidros, pincéis, lâmpadas, asas, puxadores, tampas de queimadores, filtros, grades, etc.
- Os aparelhos que apresentem oxidação, ou danos por corrosão em esmaltes ou tintas, que possam ter sido causados por efeitos químicos ou eletroquímicos da água ou de qualquer outra substância, ou aceleradas por circunstâncias ambientais ou climáticas não propícias.
- Defeitos estéticos em serigrafia ou pintura.
- Os danos causados por transporte ou manuseio, colisões, etc.
- Os aparelhos devem ser instalados de forma acessível em caso de reparação e o utilizador deve assumir os custos necessários para aceder ao aparelho para reparação e substituição.

As marcas BEKO, ALTUS, ARDEM, BLOMBERG, NORTLINE e GRUNDIG são distribuídas por Beko Electronics Espanha S.L.

DADOS DO APARELHO (a ser preenchido pelo Distribuidor):

Detentor:		Carimbo do estabelecimento:
Modelo:	N.º série:	
Estabelecimento:	Data de compra:	

O fiador e o importador do seu eletrodoméstico é: BEKO ELECTRONICS ESPAÑA S.L. Calle Provenza nº 388 3º Barcelona 08025, Espana. O produto foi fabricado por ARÇELIK A.S (Arçelik A.S.Sütluce Karaağaç Cad. No:2-6 34445 Beyoğlu, Istanbul, Turquia).

Conheça-nos melhor na nossa página: www.beko.es. Conserve este documento, é importante para si.

Nejprve si přečtete tento návod, prosím!

Vážení zákazník,

Děkujeme Vám, že jste si zvolili spotřebič Beko. Doufáme, že Vám výrobek, který byl vyroben kvalitně a moderními technologiemi, přinese to nejlepší. Přečtete si proto pečlivě celý tento návod a veškerou doprovodnou dokumentaci ještě předtím, než začnete výrobek používat, a uschovejte je pro pozdější nahlédnutí. Pokud postoupíte produkt někomu jinému, předejte mu i tento návod. Postupujte podle všech upozornění a informací uvedených v návodu.

Význam symbolů

V různých částech tohoto návodu jsou použity tyto symboly.



Důležité informace nebo užitečné rady o použití.



NEBEZPEČÍ: Upozornění na nebezpečné situace vůči životu a majetku.



UPOZORNĚNÍ: Varování naznačuje potenciálně nebezpečnou situaci.



UPOZORNĚNÍ: Výstraha naznačuje možné materiální škody.



Materiály jsou určeny pro styk s potravinami.



Tento produkt byl vyroben v nejmodernějších ekologických a zařízeních.

Neobsahuje PCB.

1 Důležité pokyny pro bezpečnost a životní prostředí

Tento oddíl obsahuje bezpečnostní pokyny, které pomohou zajistit ochranu před rizikem zranění a materiálních škod. Nedodržení těchto pokynů způsobí neplatnost záruky.

1.1 Nebezpečí související s elektrickým proudem

Nebezpečí ohrožení života elektrickým proudem!

Dotyk s vodiči nebo částmi pod napětím může vést k vážnému úrazu nebo dokonce smrti!

Dodržujte následující bezpečnostní opatření k zabránění úrazu elektrickým proudem:

- Nepoužívejte spotřebič, pokud je poškozen jeho napájecí kabel nebo zástrčka. Kontaktujte autorizovaný servis.

- Neotvírejte opláštění kávovaru. Nebezpečí úrazu elektrickým proudem v případě dotyku s částmi pod napětím a / nebo změn elektrické a mechanické konfigurace.
- Před čištěním zásobníku na zrnkovou kávu vytáhněte zástrčku přístroje ze zásuvky. Nebezpečí ze strany rotujících kávomlýnku!

1.2 Nebezpečí popálení nebo opaření

Během provozu se mohou určité části spotřebiče zahřát na vysokou teplotu! Vydané nápoje a unikající pára jsou velmi horké!

Dodržujte následující bezpečnostní opatření k zabránění popálení / opaření sebe a / nebo ostatních osob:

- Nedotýkejte se kovových pouzder na obou výpustích kávy.

1 Důležité pokyny pro bezpečnost a životní prostředí

- Vyhněte se přímému kontaktu pokožky s unikající párou nebo horkou oplachovací, čisticí a odvápnovací vodou.
- Je-li poškozený připojovací kabel, jeho výměnu smí provádět pouze zástupce servisu doporučeného výrobcem, aby se zabránilo jakémukoli nebezpečí! Obráťte se, prosím, na výrobce nebo jeho zákaznický servis.

1.3 Základní bezpečnostní opatření

Dodržujte následující bezpečnostní opatření pro zajištění bezpečné manipulace s kávovarem:

- Nikdy se nehrajte s obalovým materiálem. Nebezpečí udušení Všechny obalové materiály uchovávejte mimo dosah dětí.
- Před použitím zkontrolujte kávovar, zda nemá viditelné známky poškození. Nepoužívejte poškozený kávovar. Kontaktujte autorizovaný servis.
- Opravy kávovaru smí provádět pouze autorizovaný odborník nebo zákaznický servis. Nekvalifikované opravy mohou vést ke vzniku značného nebezpečí pro uživatele. Způsobí rovněž ztrátu záruky.
- Opravy kávovaru během záruční doby smí provádět pouze servisní centra autorizovaná výrobcem, jinak dojde k zániku záruky v případě následného poškození.
- Vadné díly je možné vyměnit pouze za originální náhradní díly. Pouze originální náhradní díly zaručují, že jsou splněny požadavky na bezpečnost.

1 Důležité pokyny pro bezpečnost a životní prostředí

- Tento spotřebič mohou používat děti starší 8 let a osoby s omezenými tělesnými, smyslovými nebo mentálními schopnostmi anebo osoby bez příslušných znalostí a zkušeností, pokud jsou pod dozorem nebo byly poučeny o bezpečném užívání tohoto přístroje a chápou nebezpečí, které mohou vzniknout při jeho používání. Děti si nesmí se spotřebičem hrát. Čištění a uživatelskou údržbu nesmí vykonávat děti, ledaže jsou starší 8 let a jsou pod dohledem.
- Tento spotřebič je určen pouze pro použití v domácnosti a podobných prostředích, jako jsou například:
 - kuchyňky pro zaměstnance v obchodech, kancelářích a jiných pracovních prostředích,
 - na farmách,
 - klienty v hotelích, motelech a dalších obytných prostředích;
- v prostředí ubytování typu Bed and Breakfast.
- Chraňte kávovar před vlivy počasí, jako je déšť, mráz a přímé sluneční záření. Nepoužívejte kávovar ve venkovním prostředí.
- Nikdy neponořujte kávovar, síťový kabel nebo zástrčku do vody nebo jiných kapalin.
- Nemyjte kávovar ani jeho příslušenství v myčce na nádobí.
- Nelijte žádné jiné tekutiny kromě vody ani nevkládejte potraviny do nádržky na vodu.
- Neplňte nádržku na vodu nad značku maximální hladiny (spodní hrana plnicího otvoru).
- Přístroj používejte pouze tehdy, je-li vložena odpadní nádoba, odkapávací miska a mřížka na šálky.
- Netahejte za kabel pro vytažení zástrčku ze zásuvky a nedotýkejte se jí mokřýma rukama.

1 Důležité pokyny pro bezpečnost a životní prostředí

- Nedržte kávovar za síťový kabel.
- Udržujte spotřebič a jeho kabel mimo dosah dětí mladších 8 let.
- Spotřebič je možné používat pouze pro přípravu kávy.
- Děti by měly být pod dohledem, aby se nehrály s tímto spotřebičem.
- Před každým čištěním a pokud se spotřebič nepoužívá, jej odpojte ze zásuvky.
- Umístěte spotřebič tak, aby zástrčka byla vždy přístupná.
- Spotřebič používejte vždy na stabilním, rovném, čistém, suchém a neklouzavém povrchu.
- Spotřebič není zabudovaným kávovarem a není určen k použití ve skřínce. Kávovar nesmí být při používání umístěn ve skřínce.
- Napájecí kabel nemačkejte ani neohýbejte a nemněte ve ostré hrany, aby nedošlo k jeho poškození. Napájecí kabel udržujte mimo dosah horkých povrchů a otevřeného ohně.
- Síťové napětí musí odpovídat údajům uvedeným na typovém štítku spotřebiče.
- Spotřebič používejte pouze s uzemněnou zásuvkou.
- Nepoužívejte spotřebič s prodlužovacím kabelem.
- Když je spotřebič zapojen do zásuvky, nedotýkejte se ho mokřýma nebo vlhkýma rukama.

1 Důležité pokyny pro bezpečnost a životní prostředí

1.4 Zamýšlené použití

Plně automatický kávovar Beko je určen pro použití v domácnostech a podobných prostředích, například v kuchyních pro zaměstnance, obchodech, kancelářích a podobných oblastech nebo zákazníky v ubytovacích typu bed & breakfast, hotelích, motelech a jiných typech ubytování. Tento kávovar není určen ke komerčnímu využití. Stroj je určen pouze pro přípravu kávy a horké mléko a vodu. Jakékoliv jiné použití, než uvedené dříve, je považováno za nesprávné použití.

Nebezpečí vyplývající z nesprávného použití!

Není-li použit k zamýšlenému účelu nebo je-li používán jakýmkoli jiným způsobem, kávovar může být nebo se může stát zdrojem nebezpečí.



VAROVÁNÍ: Proto kávovar může být použit pouze k zamýšlenému účelu.



VAROVÁNÍ: Dodržujte postupy popsané v tomto návodu k použití.

Žádné nároky jakéhokoliv druhu nebudou přijaty za škody nebo zranění vyplývající z použití kávovaru pro jiný než zamýšlený účel.

Riziko musí nést pouze majitel přístroje.

1.5 Omezení odpovědnosti

Všechny technické informace, údaje a pokyny k instalaci, obsluze a údržbě kávovaru obsažené v tomto návodu k použití představují aktuální stav v době tisku a jsou založeny na nejlepších možných znalostech získaných zkušeností a know-how.

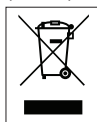
Žádné nároky nelze odvodit z informací, ilustrací a popisů v tomto návodu k použití.

Výrobce nepřijímá žádnou odpovědnost za škody nebo zranění vzniklé nedodržením návodu k použití, použitím k jiným než zamýšleným účelům, neodbornými opravami, nepovolené úpravami

nebo použitím neschválených náhradních dílů.

1.6 Dodržování směrnice WEEE a o likvidaci odpadů:

Tento produkt splňuje směrnici EU WEEE (2012/19/EU). Tento výrobek nese symbol pro třídění, platný pro elektrický a elektronický odpad (WEEE).



Tento symbol znamená, že příslušný produkt na konci jeho životnosti nesmí být likvidován spolu s jiným domácím odpadem. Použité zařízení musíte odnést do oficiální sběrně pro recyklaci elektrických a elektronických zařízení. Obratě se na místní úřady nebo na prodejce, u kterého jste si zařízení koupili, a informujte se o umístění sběrných zařízení. Každá domácnost hraje důležitou roli ve sběru a recyklaci starých zařízení. Správná likvidace starého zařízení pomáhá předejít možným negativním následkům pro životní prostředí a lidské zdraví.

1.7 Dodržování směrnice RoHS:

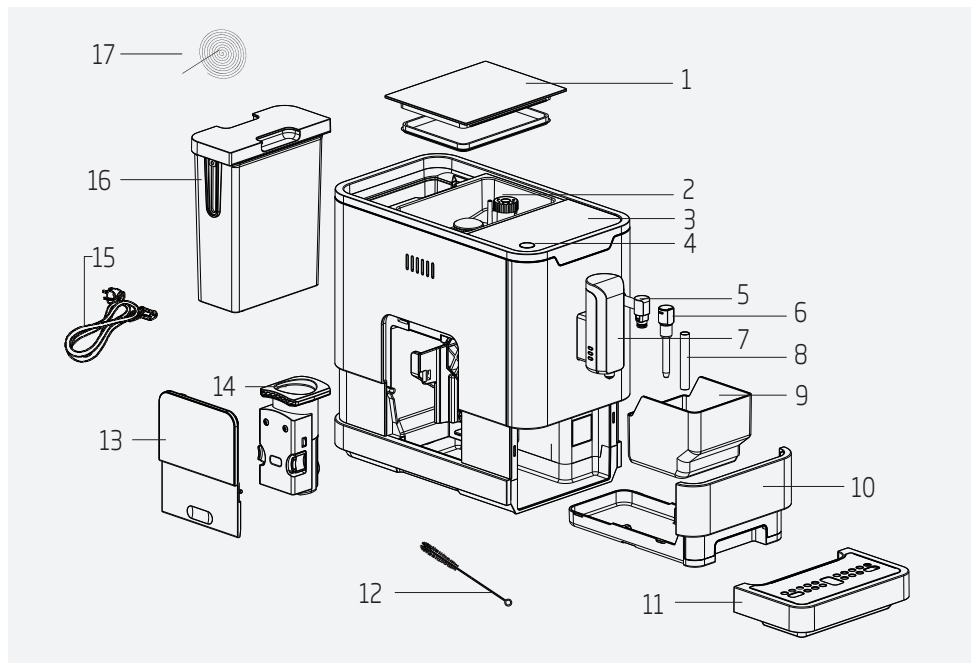
Produkt, který jste zakoupili splňuje směrnicí EU RoHS (2011/65/EU). Neobsahuje žádné škodlivé ani zakázané materiály, které jsou směrnicí zakázané.

1.8 Informace o balení



Balení produktu je vyrobeno z recyklovatelných materiálů, v souladu s naší národní legislativou. Obalové materiály nelikvidujte s domácím nebo jiným druhem odpadu. Odveďte je na sběrné místo balícího materiálu, které má pověření místních orgánů.

2 Váš plně automatický kávovar



1. Obal nádoby na kávová zrna
2. Nádoba na kávová zrna
3. Ovládací panel
4. Tlačítko Zapnutí / Vypnutí
5. Parní tryska
6. Kryt trysky
7. Nastavitelný výtok kávy
8. Kovová trubice
9. Nádoba na kávu
10. Vnitřní odkapávací vanička
11. Externí odkapávací vanička
12. Čistící kartáč
13. Servisní dveře
14. Varná jednotka
15. Napájecí kabel
16. Nádrž na vodu
17. Jehla na čištění

Technické údaje

Napájení:

220-240 V~, 50-60 Hz












Výkon: 1350 W

Technické a konstrukční změny vyhrazeny.

Všechny deklarované hodnoty na produktu a na vytištěných letáčích jsou zachycovány po laboratorních měřeních provedených podle souvisejících norem. Tyto hodnoty se mohou lišit v závislosti na použití a od okolních podmínek.

3 Displej

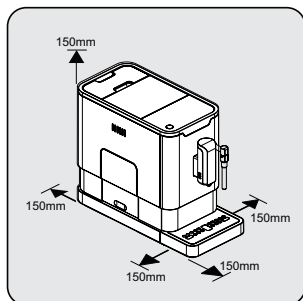
3.1 Ovládací panel

	Bliká: Nízká hladina vody / Chybí vodní nádrž
	Nedostatek kávových zrn
	Stálé kontrolní světlo: Nádoba na kávové sedliny je plná Blikající světlo: Chybí vnitřní zásobník na odkapávání / kávové usazeniny
	Stálé kontrolní světlo: Varná jednotka chybí / je nesprávně nainstalována Blikající světlo: Servisní dveře jsou nesprávně otevřené / namontované
	Stálé kontrolní světlo: Je třeba odvápnění Blikající světlo: Probíhá odstraňování vodního kamene
	Běží funkce vyprázdnění systému
	Tlačítko Zapnutí / vypnutí
	Tlačítko páry
	Tlačítko horké vody
	Tlačítko na silné espresso (25 - 40 ml kávy s jedním stiskem tlačítka)
	Tlačítko na jemné espresso (51 - 69 ml kávy jedním stiskem tlačítka)

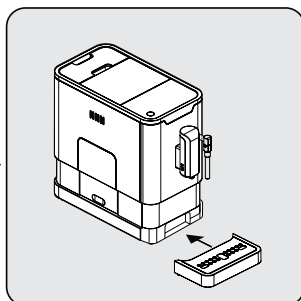
4 Příprava

4.1 Instalace

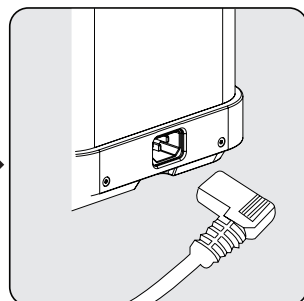
i Odstraňte z přístroje veškeré ochranné fólie, nálepky a jakýkoli jiný obalový materiál.



Vyberte si bezpečný a stabilní povrch s lehce dostupným zdrojem energie a umožněte minimální vzdálenost od stran strojů.



Vložte externí odkapávací plech. Ujistěte se, že je vložen správně.



Rozviňte a vyrovnejte napájecí kabel a zapojte zástrčku do zásuvky umístěné na zadní straně zařízení. Druhý konec napájecího kabelu zasuňte do síťové zásuvky s vhodným napájecím napětím.

4.2 Plnění nádrže dávkovače vody

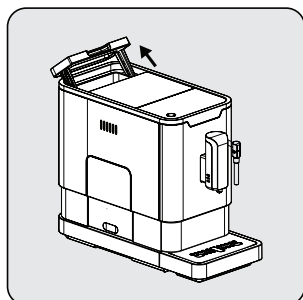


O programu ochrany: Pokud nádrž na vodu není úplně vložena do přístroje, během procesu vaření se aktivuje ochranný režim za 15 sekund. Na ovládacím panelu se rozsvítí tlačítko horké vody.

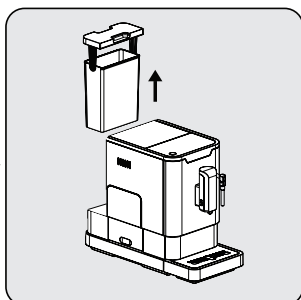
1. Ujistěte se, že je nádržka na vodu zcela zasunuta do stroje.
2. Stiskněte tlačítko horké vody. Po vypuštění horké vody bude stroj v pohotovostním stavu.



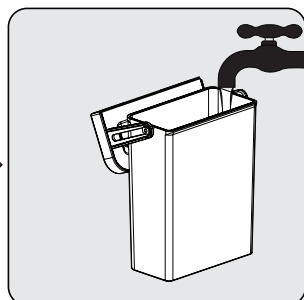
UPOZORNĚNÍ: Když  bliká, v nádrži na vodu je málo vody a vyžaduje naplnění.



Zvedněte nádrž na vodu pomocí víka s rukojetí.



Vytažení zásobníku na vodu.



Opláchněte nádržku na vodu čerstvou vodou, pak ji naplňte na úroveň Max a vložte ji zpět do zařízení. Zkontrolujte, zda je zcela zasunuta.

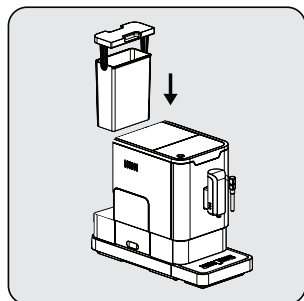
4 Příprava



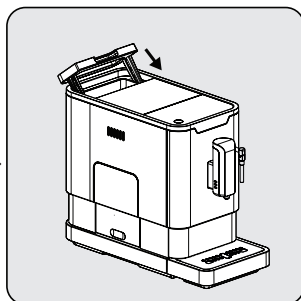
Pro zabránění přetečení vody z nádrže na vodu, nepřidávejte vodu přímo do zařízení pomocí jiné nádoby.



UPOZORNĚNÍ: Nikdy nenaplňujte nádrž na vodu teplou nebo horkou, perlivou vodou nebo jinou tekutinou, která by mohla poškodit nádrž na vodu a stroj.



Nádobu na vodu vložte zpět pomocí eka s rukojetí.

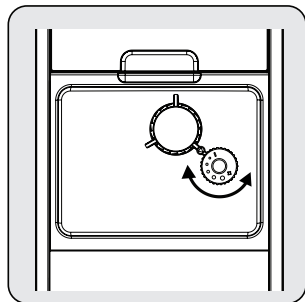


Nádobu na vodu zavřete pomocí víka.

5 Obsluha

5.1 Nastavení mletí

Otáčením nastavovacího knoflíku na nádobě na zrna můžete nastavit mlýnek tak, aby vyhovoval vaší pražené kávě:



UPOZORNĚNÍ: Nikdy nenastavujte mlýnek, když je v provozu.

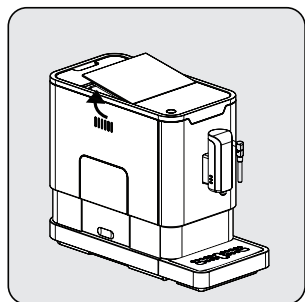


Tečky na nastavovacím knoflíku označují jemnost mletí.

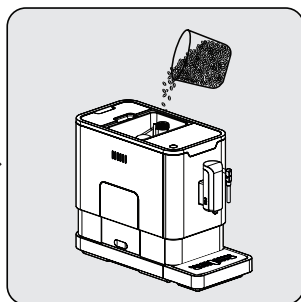
5.2 Naplňování nádoby na zrnkovou kávu



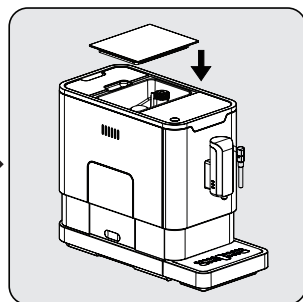
Když  bliká, je třeba spotřebič naplnit zrnkovou kávou.



Odstraňte víko nádoby na zrnkovou kávu.



Pomalou nasypete zrnkovou kávu.



Nasaďte zpět víko nádoby.

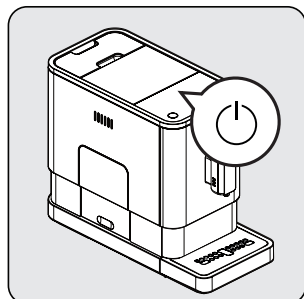


UPOZORNĚNÍ: Nádoby zrnkové kávy plňte pouze kávovými zrny. Mletá káva, instantní káva, karamelizovaná káva a jakékoliv jiné předměty mohou stroj poškodit.

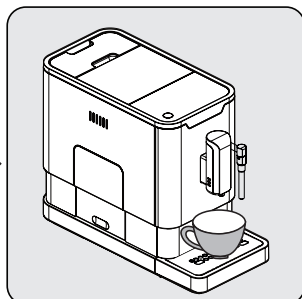
5 Obsluha

i Před prvním použitím stiskněte tlačítko horké vody, abyste vyčistili vnitřek kávovaru.

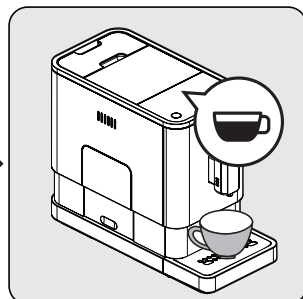
5.3 Příprava vaší kávy



Spotřebič zapněte stisknutím tlačítka zapnutí / vypnutí. Spotřebič se zapne v pohotovostním režimu a bude připraven k použití vytékáním horké vody z výpusti kávy.



Dejte šálek pod výlevku kávy a upravte výšku výlevky tak, aby vešla do šálku.



Stiskněte tlačítko espresso a rozsvítí se kontrolka, přičemž kontrolky osvětlení naznačují, že přístroj připravuje šálek kávy. Když se zařízení vrátí do pohotovostního stavu, káva je připravena k servírování.

i Spotřebič vypněte stisknutím tlačítka zapnutí / vypnutí.

i Podle toho, jakou chuť kávy upřednostňujete stiskněte silné nebo mírně espresso.

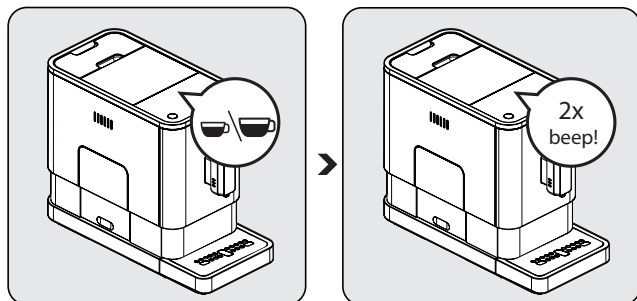
i Před prvním použitím stiskněte tlačítko horké vody, abyste vyčistili vnitřek kávovaru.

i Zařízení je vybaveno automatickým vypínáním. V závislosti na zvoleném režimu bude mít spotřebič různé časování automatického vypnutí.

5 Obsluha

5.4 Úprava objemu vaší kávy / horké vody

Můžete uložit požadovaný objem kávy pro silné espresso i mírné espresso a také teplou vodu od 25 ml do 250 ml.



Když připravujete kávu (silné espresso nebo jemné espresso), stiskněte a podržte tlačítko, které jste vybrali. Zatímco držíte tlačítko, zařízení bude nadále připravovat šálek kávy.

Když objem kávy dosáhne požadovaný objem, tlačítko uvolněte. Pokud uslyšíte dvě pípnutí, znamená to, že přístroj uložil vámi preferované množství kávy.

Chcete-li obnovit výchozí/tovární nastavení;

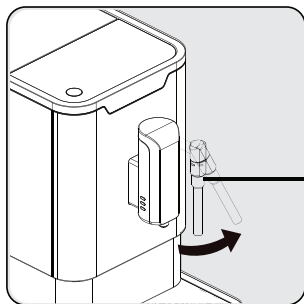
Chcete-li obnovit výchozí nastavení výběru množství kávy a horké vody zaznamenané v paměti, je nutné obnovit tovární nastavení.

1. Když je spotřebič vypnut, odstraňte vnitřní a vnější odkapávací nádobku,
 2. Sejměte servisní kryt,
 3. Odstraňte nádržku na vodu,
 4. Umístěte servisní kryt,
 5. Stiskněte tlačítko pro zapnutí a vypnutí na 5 sekund (2 krát pípně)
 6. Otevřete servisní kryt,
 7. Umístěte nádobku na vodu,
 8. Zavřete servisní kryt,
 9. Umístěte odkapávací tácek.
- Spotřebič byl resetován na tovární nastavení.

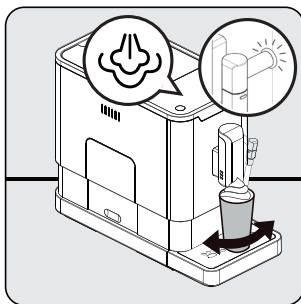
5 Obsluha

5.5 Příprava zpěněného mléka na kávu

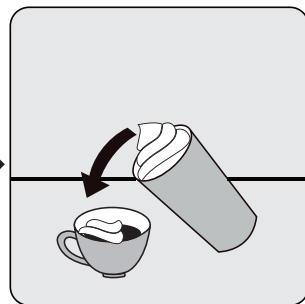
i Protože je teplota páry vyšší než teplota espresso, mělo by se espresso připravit před výrobou pěnovitého mléka. Jinak by se mohlo espresso spálit.



Kávu na espresso připravte do většího šálku. Otočte parní trysku směrem k odkapávací misce.



Stiskněte tlačítko páry. Kontrolka páry bude blikat. Pak se přístroj zahřeje a vypustí zbytkovou vodu do odkapávače nebo do jiné nádoby. Když kontrolka páry přestane blikat a bude stále svítit, postavte pod parní trysku nádobu s mlékem a ponořte parní trysku asi 5 cm hluboko do nádoby. Otočte nádobu, dokud z ní bude vycházet horká pára.



Nalijte horké pěnovité mléko do espresso. Nyní si můžete vychutnat svou kávu!

i Po použití parní trysky očistěte trysku od zbytků mléka tak, že trysku setřete vlhkým hadrem.

i Zbytky mléka, které se mohou hromadit na konci trysky, se doporučuje odstranit aktivací funkce horké vody z trysky.

5.6 Horká voda

Zařízení může vydávat horkou vodu jednoduchým stisknutím tlačítka horké vody. Tlačítko horké vody a osvětlení se rozsvítí, což znamená, že zařízení ohřívá vodu. Když se tlačítko horké vody a osvětlení vypnou, voda je připravena k podávání.

5 Obsluha

5.7 Výběr režimu




Stroj má tři různá nastavení: výchozí nastavení, režim ECO a rychlý režim. V režimu ECO přístroj šetří více energie. V rychlém režimu může uživatel kávu zrychlit jako je nastaveno ve výchozím nastavení.

	Režim ECO	Rychlý režim	Výchozí nastavení
Světlo	Ne	Ano	Ano
Předvaření *	Ano	Ne	Ano
Čas automatického vypnutí	10 min	30 min	20 min
Paměť objemu poháru	Ano	Ano	Ano



Funkce předvaření zvlhčuje mleté zrna ve varné jednotce malým množstvím vody před úplným vypuštěním. To rozšiřuje mletou kávu, aby ve varné jednotce vytvořila větší tlak, který pomáhá extrahovat všechny oleje a dosáhnout plnou chuť ze zrn.

1. Když je zařízení v pohotovostním stavu, stiskněte a podržte ☹ na 5 sekund.
2. Pak bude blikat ikona ☹ a následující tlačítko bude mít následující indikace pro různá nastavení:

	Tlačítko horké vody 	Tlačítko pro silné espresso 	Tlačítko pro jemné espresso 
V ECO režimu	Světlo zapnuto	Bliká	Bliká
V rychlém režimu	Ano	Ne	Bliká
Ve výchozím nastavení	Bliká	Bliká	Světlo zapnuto

3. Stiskněte tlačítko horké vody pro režim ECO, tlačítko silného espressa pro režim rychlosti a tlačítko jemného espressa pro výchozí nastavení. Po volbě režimu uslyšíte dvě pípnutí. (Poznámka: Pokud stisknete tlačítko světla pro každý režim, stroj neposkytne odezvu).
4. Pokud si přejete ponechat nastavení nezměněné, stiskněte ☹ znovu nebo počkejte 5 sekund, dokud se zařízení vrátí do pohotovostního stavu.

6 Čištění

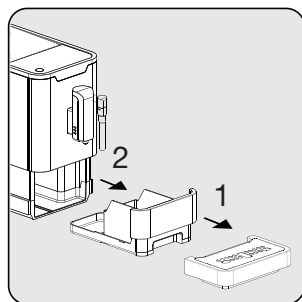
6.1 Čištění spotřebiče

1. Odpojte napájecí kabel z elektrické zásuvky.
2. Vylijte všechnu vodu z vnitřní a vnější odkapávací misky.
3. K čištění skvrn na přístroji použijte navlhčený hadřík nebo čistící prostředek, který neškrábe.

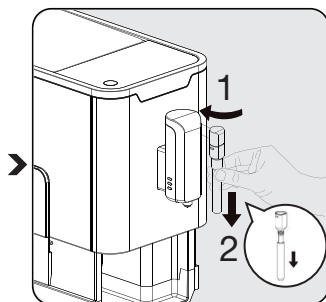


UPOZORNĚNÍ: K čištění zařízení nikdy nepoužívejte abrazivní, ocotové nebo odvápnovací prostředky, které nejsou součástí balení.

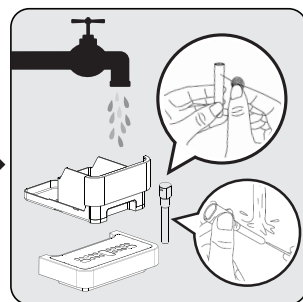
Včasné čištění a údržba spotřebiče jsou velmi důležité při prodloužení jeho životnosti.



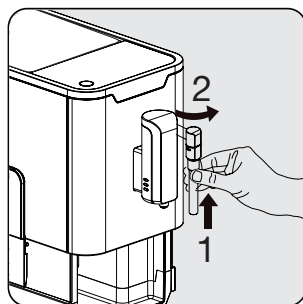
Vyberte externí odkapávací plech. Odtažením otevřete vnitřní odkapávací plech a nádobu na kávové sedliny.



Kovovou trubku vyberte tahem dolů. Potom odemkněte kryt trysky otočením doleva, abyste rozebrali kryt trysky a kovovou trubici.

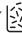


Vyprázdňte nádobu na kávové sedliny a externí odkapávač. Kovovou trubici omyjte teplou tekoucí vodou a pomocí jehly nebo štětiny vyčistěte otvor. Umyjte kryt trysky teplou tekoucí vodou a pomocí jehly nebo štětiny vyčistěte otvor. Pak ho osušte.

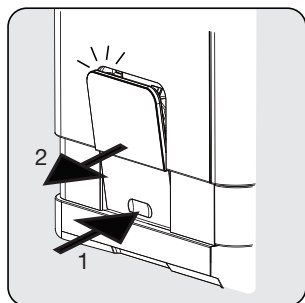


Znovu namontujte kovovou trubku na kryt trysky. Potom zatlačte vzhůru a nasadte kryt trysky zpět. Pro upevnění ho otočte doprava.

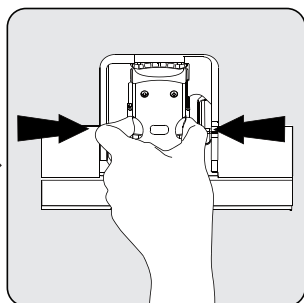


Když se rozsvítí , je třeba vyprázdnit zásobník na kávovou sedlinu. Tato ikona se rozsvítí po každých 10 vaření kávy. Vyčištěním nádoby resetujete ikonu. Pokud je nádoba čistá, nádobu stačí vybrat a vrátit zpět na místo.

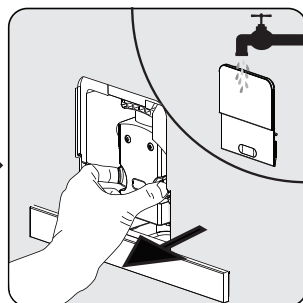
6 Čištění



Stiskněte oblast odemknutí, vysunou se servisní dveře. Potom vytáhněte servisní dveře.



Stiskněte uvolňovací knoflíky a vytáhněte je.



Vyberte varnou jednotku. Varnou jednotku omyjte čerstvou vodou. Poté varnou jednotku vysušte.




Když se rozsvítí kontrolka , znamená to, že varná jednotka chybí / je nesprávně nainstalována. Pokud bliká , znamená to, že servisní dvířka chybějí / jsou nesprávně nainstalovaná.

6.2 Samočištění



UPOZORNĚNÍ: Počkejte prosím na dokončení procesu samočištění a potom vypněte stroj.

Když bliká , znamená to, že spotřebič musí samo očistit. Spotřebič zůstane v nejlepší stavu, pokud se tato funkce provádí nejméně jednou měsíčně nebo pravidelněji v závislosti na tvrdosti použité vody. Měli byste také

1. Naplňte nádržku na vodu úplně.
2. Do nádrže na vodu přidejte jedno balení čisticího prostředku, které je součástí balení.



UPOZORNĚNÍ: Na samočištění tohoto zařízení nepoužívejte ocet ani jiný čisticí prostředek. Čisticí prostředek může zařízení poškodit.

3. Připojte spotřebič.
4. Pod výtok na kávu a trysku vložte dostatečnou velkou nádobu.
5. V pohotovostním režimu stiskněte a podržte tlačítko  a tlačítko silného espressa  na 5 sekund. Uslýšíte pípnutí a tlačítko silného espressa  bude blikat.

6 Čištění

6. Stisknutím tlačítka silného espressa potvrďte proces samočištění. Chcete-li se vrátit do pohotovostního stavu, stiskněte tlačítko ☰.
7. Když bliká, znamená, že spotřebič musí vykonat proces samočištění.



UPOZORNĚNÍ: Chraňte pokožku / své tělo od horké vody.

8. Když je veškerá voda ve vodní nádrži vyprázdněna, ☰ a tlačítko samočištění ☰ budou blikat. Vyberte veškerý zbylý roztok z nádrže na vodu a naplňte nádrž normální vodou z vodovodu, dokud se nedosáhne maximální výška. Když je nádrž plná, ☰ zhasne. Poté bude spotřebič pokračovat v samočisticí procesu.
9. Po dokončení procesu samočištění se spotřebič automaticky vypne.

6.3 Funkce vyprázdnění systému

Funkci vyprázdnění systému používejte před dlouhodobým nepoužíváním, ochranou před mrazem a před kontaktováním opraváře.

1. V pohotovostním stavu stiskněte a podržte ☰ a jemné espressa ☰ spolu na 5 sekund.
2. ☰ začne blikat.
3. Vyberte nádrž na vodu ze zařízení. ☰ se rozsvítí, což znamená, že probíhá vyprazdňování systému. Před vyjmutím nádrže na vodu stiskněte ☰, abyste se vrátili zpět do pohotovostního režimu.
4. Po dokončení funkce vyprázdnění systému se spotřebič automaticky vypne.



UPOZORNĚNÍ: Po provedení FUNKCE VYPRÁZDNĚNÍ SYSTÉMU; při opětovném použití kávovaru stiskněte tlačítko horké vody, dokud z kávovaru nevytéká voda.

6.4 Manuální propláchnutí

Po použití můžete trysku na kávu propláchnout ručně. Pokud jste spotřebič delší dobu nepoužívali, může být dobrý nápad propláchnout ho ručně.

1. V pohotovostním stavu podržte současně tlačítko ☰ a tlačítko horké vody ☰.
2. Tlačítko horké vody ☰, tlačítko silného espressa ☰ a tlačítko jemného espressa ☰ se následně vypnou. Kávová tryska pak vydá malé množství vody, která se použije na oplachování.



UPOZORNĚNÍ: Voda z kávové trysky je horká a shromáždí se v odkapávací misce pod ní. Zabraňte kontaktu, nakolik šplíchá kolem.

3. Po opláchnutí se spotřebič vrátí do pohotovostního stavu.

6 Čištění

Ruší se režim automatického čištění


Váš přístroj se automaticky čistí před a po každém vaření. Podle pokynů uvedených níže můžete režim automatického čištění zrušit.

- Zapněte přístroj stisknutím vypínače a počkejte, dokud se nezapne do pohotovostní polohy.
- Otevřete servisní kryt.
- Stiskněte vypínač na 5 sekund, zazní pípnutí.
- Zavřete servisní kryt.
- Nyní je operace automatického čištění zrušena.



Pro zajištění zdravé provozu doporučujeme aktivně používat režim automatického čištění.

7 Řešení problémů

Problém	Příčina	Řešení
Spotřebič nefunguje.	Spotřebič není připojen do sítě.	Zapojte ho a stiskněte spínač. Zkontrolujte kabel a zástrčku.
Při několika pokusech o stisknutí funkčního tlačítka na panelu není žádná nebo je opožděná odpověď	Spotřebič je pod elektromagnetickým rušením. Nečistoty na panelu.	Odpojte spotřebič od elektrického napětí. Po několika minutách restartujte. Panel očistěte přiloženou hadříkem.
Káva není dost horká.	Sklenice nebyly přehřáté. Varná jednotka je příliš studená.	Před přípravou kávy nebo před opláchnutím šálky horkou vodou zahřejte svůj šálek pomocí funkce páry. Ujistěte se, že voda v nádrži na vodu není příliš studená.
Káva nemůže vycházet z výlevky.	Možná předtím byla použita funkce vyzrádňování systému. Výpust kávy nemusel být vyčištěn a je zablokovaný zbytky kávy.	Stiskněte tlačítko horké vody, dokud z výtoku jehlou nevytéká voda. Vyčistěte výpust kávy.
První šálek kávy je nízké kvality.	První spuštění mlýnku nenamele dostatečné množství prášku kávy do varné jednotku.	Vyprázdňte kávu. Další šálky budou lepší.
Nádrž na vodu je odstraněna / hladina vody v nádrži na vodu je velmi nízká, ale  není žádné varování.	Oblast v blízkosti připojení nádrže na vodu je mokrá.	Otřete vodu kolem připojení nádrže na vodu
Vnitřní odkapávací vanička je naplněna velkým množstvím vody.	Mletá káva je příliš jemná, což blokuje vytékání vody.	Během provozu mlýnku upravte jemnost kávy na hrubší.
Káva vytéká příliš pomalu nebo po kapkách.	Příliš jemný prášek na kávu, který blokuje vytékání vody.	Během provozu mlýnku upravte jemnost kávy na hrubší.
Kontrolka bliká, že není dostatek kávových zrn, ale uvnitř nádoby je dostatek.	Vnitřní vývod umleté kávy je zablokován.	Postupujte podle kroků popsanych v části Čištění výstupu kávových zrn.
Varnou jednotku nebo misku na mletou kávu nelze odstranit.	Spotřebič nedokončil proces samočištění a byl vypnutý.	Znovu zapněte zařízení a nechte ho dokončit proces automatického čištění.
Spotřebič nebude provádět proplachovací cyklus, když je zapnutý nebo vypnutý.	Příčinou může být nesprávná manipulace při údržbě spotřebiče.	1. Když je spotřebič zapnutý, odstraňte servisní dvířka. 2. Stiskněte a podržte tlačítko zapnutí / vypnutí, dokud neuslyšíte 2 pípnutí. 3. Vyměňte servisní dveře.
Dotyková tlačítka nejsou citlivá.	Nemačkejte dotykové tlačítko z přední strany spotřebiče.	Stiskněte spodní část ikony dotykového tlačítka z přední strany přístroje.

Leggere come prima cosa questo manuale dell'utente!

Gentile Cliente,

Grazie per aver scelto un prodotto Beko. Ci auguriamo tu ottenga i migliori risultati dal tuo prodotto, che è stato fabbricato con standard di alta qualità e tecnologia all'avanguardia. Per questo motivo, ti preghiamo di leggere attentamente tutto il presente manuale d'uso e tutti gli altri documenti forniti in dotazione prima di utilizzare il prodotto, e di conservarli come riferimento per l'uso futuro. Se si dovesse consegnare il prodotto a qualcun altro, consegnare anche il manuale d'uso. Osservare tutte le avvertenze e le informazioni nel manuale dell'utente.

Significato dei simboli

I seguenti simboli sono utilizzati in varie sezioni di questo manuale:



Informazioni importanti. Suggestioni utili relativamente all'uso.



PERICOLO: Avvertenza per situazioni di pericolo relativamente a durata di vita e proprietà.



AVVERTENZA: Indica una situazione potenzialmente pericolosa.



ATTENZIONE: Indica potenziali danni materiali.



I materiali di costruzione sono idonei per essere messi in contatto con gli alimenti.



Questo prodotto è stato fabbricato in strutture rispettose dell'ambiente e all'avanguardia.

Non contiene PCB.

1 Istruzioni importanti per la sicurezza e l'ambiente

La presente sezione include delle istruzioni relative alla sicurezza che vi aiuteranno a proteggervi dal rischio di lesioni personali e di perdite materiali. L'inosservanza di tali istruzioni invalida la garanzia concessa.

1.1 Rischio elettrico

Danni vitali provocati dalla corrente elettrica!

Il contatto con i cavi o componenti scoperti potrebbe provocare lesioni gravi o persino la morte! Osservare le seguenti misure di sicurezza per evitare scosse elettriche:

- Non utilizzare l'apparecchio se il cavo di alimentazione e la spina sono danneggiati. Contattare il servizio autorizzato.
- Non aprire l'alloggiamento della macchina da caffè. Toccando connessioni scoperte e/o cambiando la configurazione elettrica e meccanica del dispositivo, si corre il pericolo di scossa elettrica.

- Prima di effettuare la pulizia del contenitore dei chicchi di caffè, estrarre la spina dalla presa. Pericolo derivante dalla rotazione del macinacaffè!

1.2 Rischio di scottatura o ustione

Durante il funzionamento, alcune parti della macchina da caffè possono diventare molto calde! Le bevande erogate e le fuoriuscite di vapore sono molto calde!

Osservare le seguenti misure di sicurezza per evitare scottature/ustioni a se stessi e/o ad altri:

- Non toccare le parti metalliche dei beccucci che erogano il caffè.
- Evitare il contatto diretto della pelle con fuoriuscite di vapore o acqua calda di risciacquo, pulizia e decalcificazione.

1 Istruzioni importanti per la sicurezza e l'ambiente

1.3 Precauzioni fondamentali per la sicurezza

Osservare le seguenti misure di sicurezza per assicurare una corretta gestione della macchina da caffè:

- Non giocare mai con il materiale di imballaggio. Rischio di soffocamento. Tenere tutti i materiali di imballaggio lontano dalla portata dei bambini.
- Ispezionare la macchina da caffè per cercare segni visibili di danni prima dell'uso. Non utilizzare una macchina da caffè danneggiata. Contattare un servizio autorizzato.
- Se il cavo di alimentazione risulta danneggiato, dovrebbe essere sostituito esclusivamente da un servizio di assistenza consigliato dal produttore, in modo da evitare qualsiasi pericolo! Si prega di contattare il fabbricante o il servizio clienti dedicato.
- La riparazione della macchina da caffè deve avvenire esclusivamente ad opera di un tecnico autorizzato o tramite il servizio clienti. Le riparazioni compiute in maniera non professionale possono apportare considerevoli rischi all'utente. In aggiunta, invalideranno la garanzia.
- Durante il periodo di garanzia, le riparazioni del dispositivo possono essere compiute solamente da centri di assistenza autorizzati dal produttore. Altrimenti, nel caso di danni successivi, la garanzia risulterà priva di validità.
- I componenti difettosi possono essere sostituiti esclusivamente da parti di ricambio originali. Solamente i ricambi originali garantiscono il mantenimento dei requisiti di sicurezza.

1 Istruzioni importanti per la sicurezza e l'ambiente

- Questo apparecchio può essere utilizzato da bambini a partire dagli 8 anni e da persone con capacità fisiche, sensoriali o mentali ridotte o prive di esperienza e/o conoscenze, qualora siano poste sotto supervisione oppure vengano istruite in merito all'uso sicuro del dispositivo, comprendendone i pericoli implicati. I bambini non devono giocare con il dispositivo. I bambini minori di 8 anni e privi di supervisione non devono pulire né effettuare operazioni di manutenzione.
- Questo dispositivo è concepito per l'uso domestico e impieghi affini, come:
 - aree ristoro per il personale in negozi, uffici ed altri ambienti di lavoro;
 - agriturismi;
 - clienti di hotel, motel e altri contesti di tipo residenziale;
- strutture tipo bed & breakfast.
- Proteggere la macchina da caffè da agenti atmosferici quali pioggia, gelo e luce solare diretta. Non utilizzare il dispositivo in ambienti esterni.
- Non immergere mai in acqua o altro liquido la macchina da caffè, né il cavo di alimentazione né la spina.
- Non lavare la macchina da caffè né gli accessori in lavastoviglie.
- Non versare altro liquido che non sia acqua nell'apposito contenitore e neanche inserirvi del cibo.
- Non riempire il contenitore dell'acqua oltre il limite massimo indicato (bordo inferiore del foro di riempimento).
- Impiegare la macchina solamente dopo aver inserito il contenitore dei residui, la vaschetta di raccolta e la griglia di supporto alla tazza.

1 Istruzioni importanti per la sicurezza e l'ambiente

- Non toccare con le mani bagnate e non rimuovere la spina tirando il cavo.
- Non reggere la macchina da caffè dal cavo di alimentazione.
- Tenere il dispositivo e il suo cavo fuori dalla portata dei bambini di età inferiore agli 8 anni.
- L'apparecchio può essere usato solo per preparare il caffè.
- Sorvegliare i bambini per evitare che giochino con l'apparecchio.
- Scollegare l'apparecchio prima di ogni pulizia e quando non è in uso.
- Posizionare l'apparecchio in modo che la spina sia sempre accessibile.
- Utilizzare sempre l'apparecchio su una superficie stabile, piana, pulita, asciutta e non scivolosa.
- L'apparecchio non è una caffettiera da incasso e non è progettato per l'uso in un armadio. La caffettiera non deve essere messa in un armadio quando in uso.
- Non schiacciare o piegare il cavo di alimentazione e non strofinarlo su bordi taglienti per evitare qualsiasi danno. Tenere il cavo di alimentazione lontano da superfici calde e fiamme libere.
- La potenza della rete domestica deve essere conforme alle indicazioni riportate sulla targhetta di identificazione dell'apparecchio.
- Servirsi dell'apparecchio unicamente solo con una presa dotata di messa a terra.
- Non usare l'elettrodomestico con una prolunga.
- Non toccare l'elettrodomestico se le mani sono bagnate o umide, quando l'apparecchio è collegato.

1 Istruzioni importanti per la sicurezza e l'ambiente

1.4 Uso previsto

La macchina da caffè superautomatica Beko è concepita per l'uso domestico e impieghi simili, ad esempio per il personale di cucine, negozi, uffici e contesti analoghi, oppure per i clienti di bed & breakfast, hotel, motel e altri tipi di alloggio. Questa macchina da caffè non è destinata all'uso commerciale. Il dispositivo è pensato esclusivamente per la preparazione del caffè e per riscaldare latte ed acqua. Ogni altro utilizzo differente da quanto elencato in precedenza sarà considerato come uso improprio.

Danno derivante da uso improprio!

Se impiegata per uno scopo diverso da quello previsto, la macchina da caffè può risultare pericolosa.



AVVERTENZA:

Pertanto, la macchina da caffè deve essere utilizzata esclusivamente per lo scopo previsto.



AVVERTENZA:

Rispettare le procedure descritte in questo manuale utente.

Non sarà accettato alcun tipo di reclamo per danni o lesioni provocate da un utilizzo del dispositivo diverso dal suo scopo previsto.

Il rischio è da intendersi in capo unicamente al proprietario della macchina.

1.5 Limitazione di responsabilità

Ogni informazione, dato o indicazione di natura tecnica presente in queste istruzioni e riguardante l'installazione, il funzionamento e la manutenzione della macchina da caffè è da intendersi aggiornato al momento della stampa e basato sulla miglior conoscenza possibile derivante da esperienza e competenze.

Non potrà sorgere alcun reclamo dalle informazioni, illustrazioni e descrizioni ivi presenti. Il produttore non si assume alcuna responsabilità per danni o lesioni risultanti da una mancata osservanza del manuale utente, come anche dall'uso diverso dallo scopo previsto, da riparazioni realizzate in maniera non professionale, modifiche non autorizzate o impiego di ricambi non autorizzati.

1.6 Conformità alla direttiva WEEE e allo smaltimento dei rifiuti:

Questo apparecchio è conforme alla Direttiva UE WEEE (2012/19/EU). Questo apparecchio riporta il simbolo di classificazione per i rifiuti delle apparecchiature elettriche ed elettroniche (WEEE).



Questo simbolo indica che questo prodotto non deve essere smaltito con altri rifiuti domestici al termine della sua vita utile. Il dispositivo usato deve essere portato a un punto di raccolta ufficiale per il riciclaggio di dispositivi elettrici ed elettronici. Per individuare questi punti di raccolta, contattare le proprie autorità locali oppure il rivenditore presso cui è stato acquistato il prodotto. Ciascuna famiglia ha un ruolo importante nel recupero e riciclaggio di vecchi apparecchi. Lo smaltimento appropriato degli apparecchi usati aiuta a prevenire potenziali conseguenze negative per l'ambiente e la salute umana.

1 Istruzioni importanti per la sicurezza e l'ambiente

1.7 Conformità alla Direttiva

RoHS:

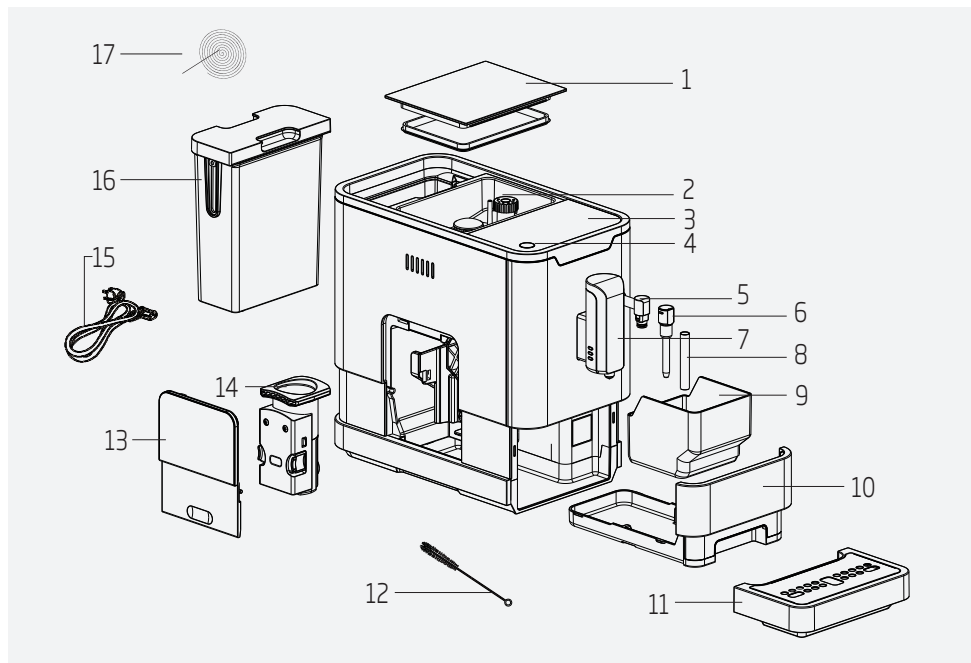
L'apparecchio acquistato è conforme alla Direttiva UE RoHS (2011/65/EU). Non contiene materiali pericolosi o proibiti specificati nella Direttiva.

1.8 Informazioni di imballaggio



L'imballaggio del prodotto è fatto di materiali riciclabili in conformità con la normativa nazionale. Non smaltire i materiali di imballaggio con i rifiuti domestici o altri rifiuti. Portarli ai punti di raccolta per materiali di imballaggio previsti dalle autorità locali.

2 La tua macchina da caffè completamente automatica



1. Coperchio contenitore chicchi di caffè
2. Contenitore per chicchi di caffè
3. Pannello di controllo
4. Pulsante On/Off
5. Ugello vapore
6. Copri ugello
7. Erogatore caffè regolabile
8. Tubo metallico
9. Contenitore per fondi di caffè
10. Vaschetta raccogli gocce interna
11. Vaschetta raccogli gocce esterna
12. Spazzola per la pulizia
13. Sportello di servizio
14. Unità di infusione
15. Cavo di alimentazione
16. Serbatoio dell'acqua
17. Ago di pulizia

Dati tecnici

Alimentazione:

220-240 V~, 50-60 Hz












Potenza: 1350 W

Con riserva di modifiche tecniche e di progettazione.

Tutti i valori dichiarati sul prodotto e sui foglietti stampati, vengono rilevati dopo le misurazioni di laboratorio eseguite secondo gli standard relativi. Questi valori possono differire dopo l'uso e a seconda delle condizioni ambientali.

3 Display

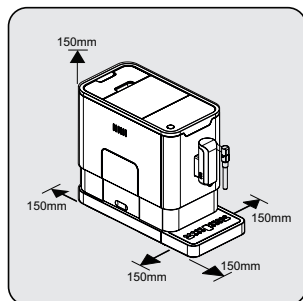
3.1 Pannello di controllo

	Lampeggiamento: Livello dell'acqua basso/Serbatoio dell'acqua mancante
	Chicchi di caffè insufficienti
	Spia fissa: Il contenitore dei fondi di caffè è pieno Lampeggiante: Manca la vaschetta raccogli gocce interna/ contenitore fondi di caffè
	Spia fissa: L'unità di infusione manca/ è installata in modo improprio Lampeggiante: Lo sportello di servizio è aperto / installato in modo errato
	Spia fissa: Richiede la decalcificazione Lampeggiante: È in corso la decalcificazione
	La funzione di svuotamento è in esecuzione
	Pulsante ON/OFF
	Pulsante Vapore
	Pulsante Acqua Calda
	Pulsante per Espresso Ristretto (25-40 ml di caffè con una pressione sul pulsante)
	Pulsante per Espresso Normale (51-69 ml di caffè con una pressione sul pulsante)

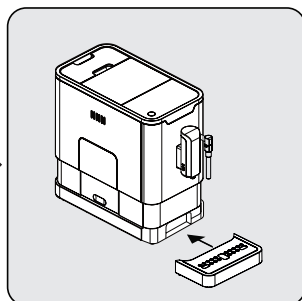
4 Preparazione

4.1 Installazione

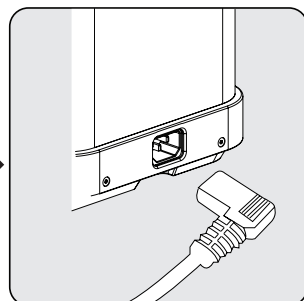
i Rimuovere eventuali pellicole protettive, adesivi e qualsiasi altro materiale di imballaggio dall'apparecchiatura.



Scegli una superficie sicura e stabile con un'alimentazione facilmente raggiungibile e lascia uno spazio libero minimo ai lati della macchina.



Inserire la vaschetta raccogli gocce esterna. Assicurati che sia inserita correttamente.



Svolgere e raddrizzare il cavo di alimentazione e inserire la spina nella presa situata sul retro della macchina. Inserire l'altra estremità del cavo di alimentazione in una presa a muro con una tensione di alimentazione adeguata.

4.2 Riempimento del serbatoio dell'acqua



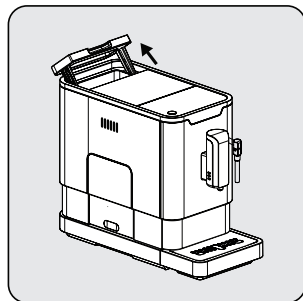
Riguardo il programma di protezione: Se il serbatoio dell'acqua non è completamente inserito nella macchina, una modalità di protezione verrà attivata in 15 secondi durante il processo di infusione. Il pulsante dell'acqua calda si accende sul pannello di controllo.

1. Assicurarsi che il serbatoio dell'acqua sia completamente inserito nella macchina.
2. Premere il pulsante dell'acqua calda. Dopo l'erogazione dell'acqua calda, la macchina sarà in condizione di standby.

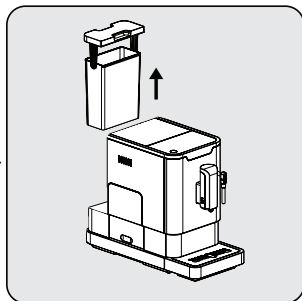


AVVERTENZA: Quando  lampeggia, il serbatoio dell'acqua è a un livello basso e deve essere riempito.

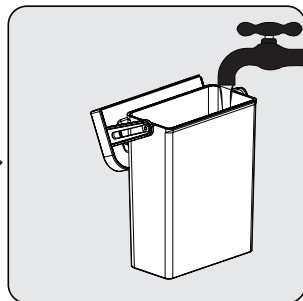
4 Preparazione



Sollevare il serbatoio dell'acqua usando il coperchio come maniglia.



Estrarre il serbatoio dell'acqua.



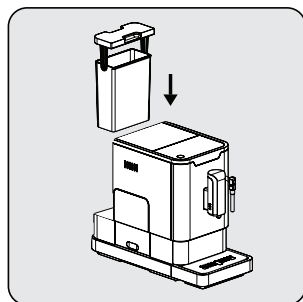
Sciacquare il serbatoio dell'acqua con acqua fresca, quindi riempirlo fino al livello Max e reinstallarlo nella macchina. Assicurarsi che sia completamente inserito.



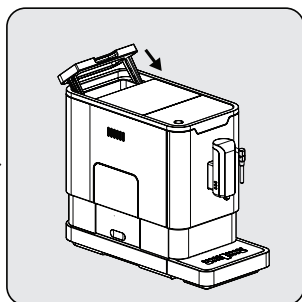
Per evitare che l'acqua fuoriesca dal serbatoio, non aggiungere acqua direttamente nell'apparecchiatura con un altro contenitore.



AVVERTENZA: Non riempire mai il serbatoio dell'acqua con acqua calda, acqua gassata o qualsiasi altro liquido che potrebbe danneggiare il serbatoio dell'acqua e la macchina.



Riposizionare il serbatoio dell'acqua utilizzando il coperchio come maniglia.

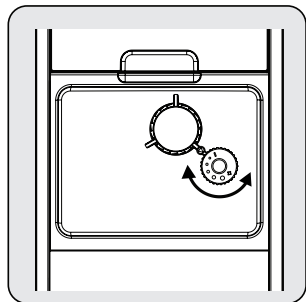


Chiudere il serbatoio dell'acqua utilizzando il coperchio.

5 Funzionamento

5.1 Regolazione della macinatura

È possibile regolare il macina caffè in base alla tostatura del caffè ruotando la manopola di regolazione nel contenitore dei chicchi:



AVVERTENZA: Non regolare mai il macinacaffè quando è in uso.

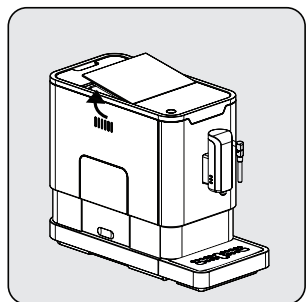


I punti sulla manopola di regolazione indicano la finezza della macinatura.

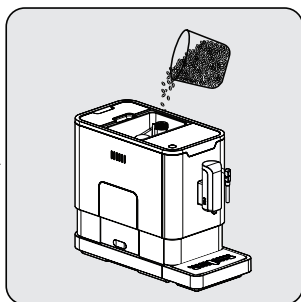
5.2 Riempimento del contenitore chicchi di caffè



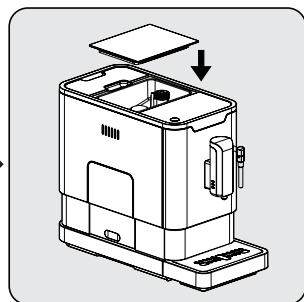
Quando  lampeggia, la macchina deve essere riempita con i chicchi di caffè.



Rimuovere il coperchio del contenitore del caffè in grani.



Versare lentamente i chicchi di caffè.



Riposizionare il coperchio del contenitore.

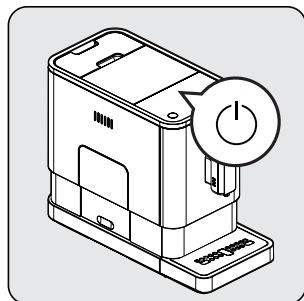


AVVERTENZA: Riempire il contenitore del caffè in grani solo con chicchi di caffè. Caffè macinato, caffè solubile, caffè caramellato o altri oggetti possono danneggiare la macchina.

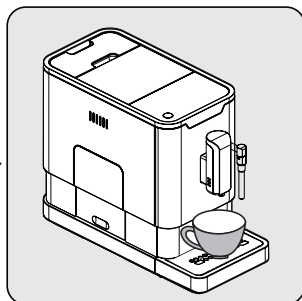
5 Funzionamento

i Premere il pulsante dell'acqua calda per pulire l'interno della macchina prima del primo utilizzo.

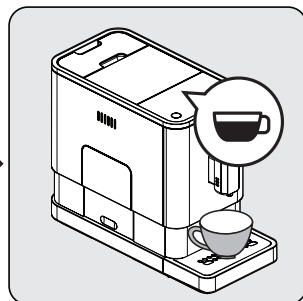
5.3 Preparare il caffè



Accendere l'apparecchiatura premendo il pulsante di accensione/spengimento. L'apparecchiatura si accende in modalità standby e sarà pronta per l'uso facendo scorrere dell'acqua calda dall'erogatore del caffè.



Posizionare una tazza sotto l'erogatore del caffè e regolare l'altezza dell'erogatore per adattarla alla tazza.



Premere il pulsante espresso e la luce si accenderà, con le spie luminose che indicano che la macchina sta preparando una tazza di caffè. Quando la macchina torna in stand-by, il caffè è pronto per essere servito.

i Spegner l'apparecchiatura premendo il pulsante on/off.

i Premere il pulsante espresso forte o espresso delicato a seconda del gusto di caffè che si preferisce.

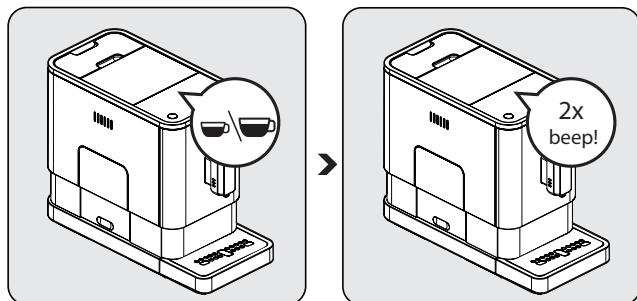
i Premere il pulsante dell'acqua calda per pulire l'interno della macchina prima del primo utilizzo.

i L'apparecchiatura è dotata di spegnimento automatico. A seconda della modalità selezionata, l'apparecchiatura avrà tempi di spegnimento automatico diversi.

5 Funzionamento

5.4 Regolazione del volume del caffè / acqua calda

È possibile salvare il volume di caffè desiderato sia per l'espresso forte che per l'espresso delicato e anche l'acqua calda, da 25 ml a 250 ml.



Quando si prepara il caffè (espresso forte o espresso delicato), tenere premuto il pulsante selezionato. L'apparecchiatura continuerà a erogare caffè tenendo premuto il pulsante.

Quando il volume del caffè raggiunge il volume desiderato, rilasciare il pulsante. Se si sentono due segnali acustici, significa che la macchina ha memorizzato il volume di caffè preferito.

Per ripristinare le impostazioni predefinite/di fabbrica;

Per ripristinare le impostazioni predefinite della selezione del caffè e dell'acqua calda salvate in memoria, sarà necessario procedere al ripristino delle impostazioni di fabbrica.

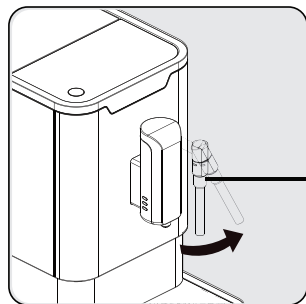
1. Quando il dispositivo è spento, rimuovere le vaschette interne ed esterne,
2. Rimuovere il coperchio di servizio,
3. Rimuovere la caraffa,
4. Posizionare il coperchio di servizio,
5. Premere il tasto ON-OFF per 5 secondi (vengono emessi 2 bip)
6. Aprire il coperchio di servizio,
7. Posizionare la caraffa,
8. Chiudere il coperchio di servizio,
9. Posizionare la vaschetta raccogli gocce.

È stato eseguito il reset alle impostazioni predefinite di fabbrica.

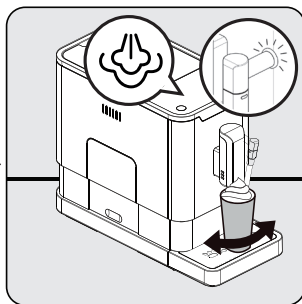
5 Funzionamento

5.5 Preparazione del latte schiumoso per il caffè

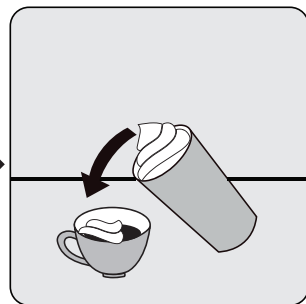
i Poiché la temperatura del vapore è superiore alla temperatura dell'espresso, l'espresso deve essere preparato prima di fare il latte schiumoso. Altrimenti l'espresso potrebbe bruciarsi.



Preparare il caffè espresso con una tazza più grande. Ruotare l'ugello del vapore verso la vaschetta raccogli gocce.



Premere il pulsante vapore. La spia del vapore lampeggerà. Quindi l'apparecchiatura si scalderà e scaricherà l'acqua residua nella vaschetta raccogli gocce o in un altro contenitore. Dopo che la spia del vapore smette di lampeggiare e rimane fissa, posizionare un contenitore con il latte sotto l'ugello del vapore e immergere l'ugello del vapore a circa 5 cm di profondità nel contenitore. Ruotare il contenitore mentre fuoriesce il vapore caldo.



Versare il latte schiumoso caldo nell'espresso. Si può ora godere il caffè!

i Dopo aver utilizzato l'ugello del vapore, pulire l'ugello dai residui di latte pulendolo con uno straccio umido.

i Si consiglia di rimuovere eventuali residui di latte che possono accumularsi sulla punta dell'ugello attivando la funzione acqua calda dall'ugello.

5.6 Acqua calda

L'apparecchiatura può erogare acqua calda semplicemente premendo il pulsante apposito. Il pulsante dell'acqua calda e la spia accesa indicano che l'apparecchiatura sta riscaldando l'acqua. Quando il pulsante dell'acqua calda e l'illuminazione si spengono, l'acqua è pronta per essere erogata.

5.7 Selezione Modalità



La macchina ha tre diverse impostazioni: l'impostazione predefinita, la modalità ECO e la modalità veloce. In modalità ECO, l'apparecchiatura risparmia più energia. In modalità veloce, l'utente può preparare il caffè più velocemente rispetto all'impostazione predefinita.




5 Funzionamento


	Modalità ECO	Modalità veloce	Impostazione predefinita
Luce di illuminazione	No	Sì	Sì
Pre-infusione*	Sì	No	Sì
Tempo di spegnimento automatico	10 minuti	30 minuti	20 minuti
Memoria del volume della tazza	Sì	Sì	Sì



La funzione di pre-infusione inumidisce i chicchi macinati nell'unità di infusione con una piccola quantità d'acqua prima dell'estrazione completa. Questo espande i fondi di caffè per creare una maggiore pressione nell'unità di infusione, aiutando ad estrarre tutti gli olii e ad esaltare il pieno sapore dei chicchi.

1. Quando la macchina è in standby, tenere premuto il pulsante  per 5 secondi.
2. Il  quindi lampeggerà e il pulsante successivo avrà le seguenti indicazioni per diverse impostazioni:

	Pulsante acqua calda 	Pulsante per Espresso Ristretto 	Pulsante per Espresso Normale 
Modalità ECO	Luce accesa	Lampeggia	Lampeggia
In modo veloce	Sì	No	Lampeggia
In impostazione predefinita	Lampeggia	Lampeggia	Luce accesa

3. Premere il pulsante dell'acqua calda per la modalità ECO, il pulsante espresso forte per la modalità rapida e il pulsante espresso delicato per le impostazioni predefinite. Si sentiranno due segnali acustici quando la modalità è stata selezionata. (Nota: Se si premono le luci sul pulsante per ciascuna modalità, la macchina non risponderà).
4. Se si desidera che l'impostazione rimanga invariata, premere  o attendere 5 secondi affinché la macchina torni in modalità standby.

6 Pulizia

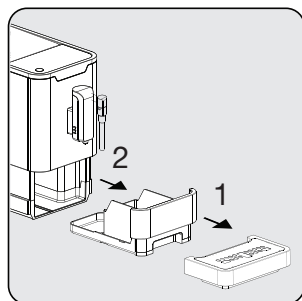
6.1 Pulizia dell'apparecchiatura

1. Scollegare il cavo di alimentazione dalla presa di alimentazione.
2. Peliminare tutta l'acqua dalle vaschette raccogli gocce interna ed esterna.
3. Utilizzare un panno umido o un detergente antigraffio per pulire le macchie d'acqua sull'apparecchiatura.

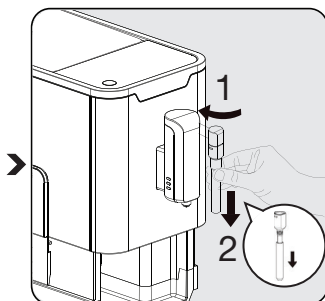


AVVERTENZA: Non utilizzare mai agenti abrasivi, aceto o agenti disincrostanti non inclusi nella confezione per pulire l'apparecchiatura.

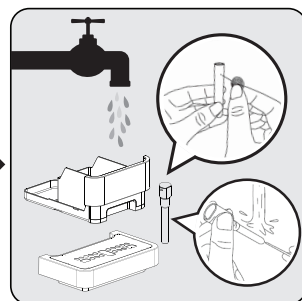
La pulizia e la manutenzione tempestive dell'apparecchiatura sono molto importanti per prolungarne la vita.



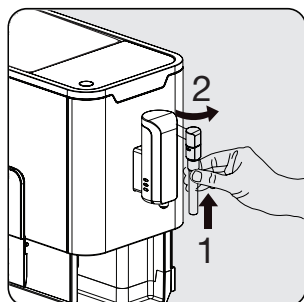
Rimuovere la vaschetta raccogli gocce esterna. Aprire la vasca raccogli gocce interna e il contenitore dei fondi di caffè.



Rimuovere il tubo di metallo tirandolo verso il basso. Quindi sbloccare il coperchio dell'ugello ruotandolo verso sinistra per smontare il coperchio dell'ugello e il tubo di metallo.



Svuotare il contenitore dei fondi di caffè e la vaschetta raccogli gocce esterna. Lavare il tubo di metallo con acqua corrente calda e utilizzare un ago o una spazzola per pulire il foro. Lavare il coperchio dell'ugello con acqua corrente calda e utilizzare l'ago o la spazzola per pulire il foro. Successivamente asciugarli.

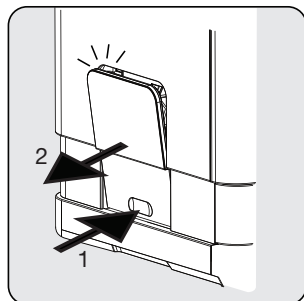


Rimontare il tubo di metallo sul coperchio dell'ugello. Quindi spingere verso l'alto per riposizionare il coperchio dell'ugello. E ruotarlo a destra per bloccarlo.

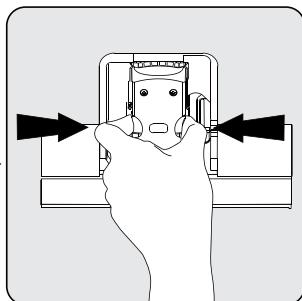
6 Pulizia



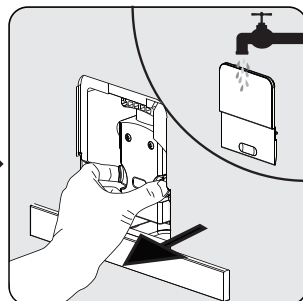
Quando ☺ si accende, sarà necessario provvedere allo svuotamento del contenitore dei fondi di caffè. L'icona in questione si accende dopo ogni 10 erogazioni di caffè. Per effettuare il reset dell'icona è necessario pulire il contenitore. Se il contenitore è pulito, sarà sufficiente rimuovere il contenitore e ricollocarlo in posizione.



Premendo l'area di sblocco, il coperchio di servizio si aprirà. Estrarre quindi lo sportello di servizio.



Premere le manopole di rilascio ed estrarre.



Rimuovere l'unità di infusione. Lavare l'unità di infusione con acqua fredda. Successivamente asciugare l'unità di infusione.



Quando ⚠ si accende, indica che l'unità di infusione manca/ è installata in modo non corretto. Quando ⚠ lampeggia, indica che lo sportello di servizio è mancante / installato in modo non corretto.

6.2 Auto-pulizia



AVVERTENZA: Attendere per terminare il processo di auto pulizia e quindi spegnere la macchina.

Quando ☺ lampeggia, indica che l'apparecchiatura deve essere sottoposta ad auto pulizia. L'apparecchiatura rimarrà nelle migliori condizioni se questa funzione viene eseguita almeno una volta al mese o più frequentemente, a seconda della durezza dell'acqua utilizzata. Bisognerebbe anche

1. Riempire il serbatoio dell'acqua.
2. Aggiungere una confezione di detergente incluso nella fornitura al serbatoio dell'acqua.



AVVERTENZA: Non utilizzare aceto o altri detersivi per l'auto pulizia di questa apparecchiatura. Il detergente potrebbe danneggiare l'apparecchiatura.

3. Collegare l'apparecchiatura alla presa.
4. Posizionare un contenitore sufficientemente grande sotto l'erogatore del caffè e l'ugello.

6 Pulizia

5. In modalità standby, tenere premuto ☺ e il pulsante espresso forte ☹ per 5 secondi. Si sentirà un segnale acustico e il pulsante espresso forte ☹ lampeggerà.
6. Premere il pulsante espresso forte per confermare il processo di auto pulizia. Per tornare in standby, premere ☺.
7. Se lampeggia, significa che l'apparecchiatura è in processo di auto pulizia.



AVVERTENZA: Tenere la pelle / il corpo lontano dall'acqua calda.

8. Quando tutta l'acqua nel serbatoio è stata svuotata, il ☹ e pulsante di auto pulizia ☺ lampeggeranno. Rimuovere tutta la soluzione rimanente nel serbatoio dell'acqua e riempire il serbatoio con normale acqua di rubinetto fino al livello massimo. Quando il serbatoio è pieno, il ☹ si spegne. Quindi l'apparecchiatura continuerà il processo di auto pulizia.
9. Al termine del processo di auto pulizia, l'apparecchiatura si spegnerà automaticamente.

6.3 Funzione di svuotamento

Utilizzare la funzione di svuotamento prima di un lungo periodo di inutilizzo, per la protezione antigelo e prima di parlare con un riparatore.

1. In condizione di standby, tenere premuto il pulsante ☺ e il pulsante espresso delicato ☹ insieme per 5 secondi.
2. ☺ inizierà quindi a lampeggiare.
3. Rimuovere il serbatoio dell'acqua dall'apparecchiatura. ☺ si accenderà indicando che lo svuotamento è in corso. Premere ☺ prima di rimuovere il serbatoio dell'acqua per tornare in standby.
4. Una volta completata la funzione di svuotamento del sistema, l'apparecchiatura si spegnerà automaticamente.



AVVERTENZA: Dopo aver eseguito la FUNZIONE SVUOTAMENTO SISTEMA, premere il pulsante acqua calda fino a quando l'acqua non fuoriesce dall'erogatore, quando la macchina viene riutilizzata.

6.4 Risciacquo Manuale

È possibile risciacquare manualmente l'ugello del caffè per pulirlo dopo l'uso. Se l'apparecchiatura non è stata utilizzata per un lungo periodo di tempo, un risciacquo manuale può essere una buona idea.

1. In modalità standby, tenere premuto il pulsante ☺ e il pulsante dell'acqua calda ☹ insieme.
2. Il pulsante dell'acqua calda ☹, il pulsante espresso forte ☹ e il pulsante espresso delicato ☹ quindi si spegneranno. L'ugello caffè erogherà quindi una piccola quantità di acqua che verrà utilizzata per il risciacquo.



AVVERTENZA: L'acqua che esce dall'ugello caffè è calda e viene raccolta nella vaschetta raccogli gocce sottostante. Evitare il contatto mentre schizza intorno.

3. Dopo il risciacquo, l'apparecchiatura tornerà in standby.

6 Pulizia

Annullamento della modalità di pulizia automatica


Il dispositivo si pulisce automaticamente prima della fine di ogni operazione di erogazione. Sarà possibile seguire i passaggi indicati qui di seguito per annullare la modalità di pulizia automatica.

- Accendere l'apparecchiatura premendo l'interruttore On-Off; attendere che l'apparecchiatura entri in modalità Stand-by.
- Aprire il coperchio di servizio.
- Premere l'interruttore On-Off per 5 secondi - verrà emesso un bip.
- Chiudere il coperchio di servizio.
- In questo modo è stata annullata l'operazione di pulizia automatica.



Consigliamo di utilizzare attivamente la modalità di pulizia automatica per garantire un funzionamento adeguato dell'apparecchiatura.

7 Risoluzione dei problemi

Problema	Causa	Soluzione
L'apparecchiatura non funziona.	L'apparecchiatura è collegata in modo errato alla presa di corrente.	Collegarla e premere l'interruttore. Controllare il cavo e la spina.
Risposta assente o ritardata in diverse prove di pressione di un tasto funzione sul pannello	L'apparecchiatura è soggetto a un'interferenza elettromagnetica. Sporizia sul pannello.	Scollegare l'apparecchiatura. Riavviare dopo pochi minuti Pulire il pannello con il panno in dotazione.
Il caffè non è caldo sufficientemente.	Le tazze non sono state preriscaldate. L'unità di infusione è troppo fredda.	Riscaldare la tazza utilizzando la funzione vapore prima di preparare il caffè o sciacquare la tazza con acqua calda. Assicurarsi che l'acqua nel serbatoio non sia troppo fredda.
Il caffè non può uscire dall'erogatore.	Un ciclo di svuotamento potrebbe essere effettuato prima dell'utilizzo. L'erogatore del caffè potrebbe non essere stato pulito ed essere bloccato da residui di caffè.	Premere il pulsante dell'acqua calda fino a quando l'acqua esce dall'erogatore. Pulite l'erogatore del caffè.
La prima tazza di caffè è di scarsa qualità.	Il primo funzionamento del macina caffè non versa una quantità sufficiente di caffè nell'unità di infusione.	Butta via il caffè. Le prossime tazze saranno migliori.
Il serbatoio dell'acqua è stato rimosso / il livello dell'acqua è molto basso nel serbatoio ma  non c'è avviso.	L'area vicino al connettore del serbatoio dell'acqua è bagnata.	Asciugare l'acqua attorno al connettore del serbatoio dell'acqua.
La vaschetta raccogli gocce interna viene riempita con molta acqua.	Il caffè macinato è troppo fine, il che impedisce la fuoriuscita dell'acqua.	Regolare la macinatura del caffè su un punto più grande durante il funzionamento del macina caffè.
Il caffè viene erogato troppo lentamente o una goccia alla volta.	I fondi di caffè sono troppo fini, il che impedisce la fuoriuscita dell'acqua.	Regolare la macinatura del caffè su un punto più grande durante il funzionamento del macina caffè.
L'indicatore lampeggia per avvertire che non c'è abbastanza caffè in grani, ma all'interno del contenitore vi è sufficiente caffè.	L'uscita interna dei fondi di caffè è ostruita.	Seguire i passaggi descritti per la pulizia dell'uscita dei fondi di caffè.
Impossibile rimuovere l'unità di infusione o il contenitore dei fondi di caffè.	L'apparecchiatura non ha terminato il processo di auto pulizia ed è stata spenta.	Riacendere la macchina e attendere che termini il processo di pulizia automatica.
L'apparecchiatura non esegue più il ciclo di risciacquo all'accensione o allo spegnimento.	La causa potrebbe essere una manipolazione impropria durante la manutenzione dell'apparecchiatura.	1. Quando l'apparecchiatura è accesa, rimuovere lo sportello di servizio. 2. Tenere premuto il pulsante di accensione / spegnimento finché non si sentono 2 segnali acustici. 3. Sostituire lo sportello di servizio.
I pulsanti a sfioramento non sono sensibili.	Non premere il pulsante a sfioramento dalla direzione anteriore dell'apparecchiatura.	Premere la parte inferiore dell'icona del pulsante a sfioramento dalla direzione anteriore dell'apparecchiatura.



CERTIFICATO DI GARANZIA

La presente garanzia commerciale si intende aggiuntiva e non sostitutiva di ogni altro diritto di cui gode il consumatore, intendendo per consumatore esclusivamente colui che utilizza il bene per scopi estranei all'attività imprenditoriale o professionale eventualmente svolta e pertanto per uso domestico/privato, e in particolare non pregiudica in alcun modo i diritti del consumatore stabiliti dal Dlgs 206/05. BEKO Italy S.r.l. in conformità alla facoltà prevista dalla legge, offre al consumatore una garanzia commerciale aggiuntiva, nei termini e nei modi di seguito indicati.

Questo certificato non deve essere spedito per la convalida. E' valido e operante solo se conservato assieme alla ricevuta fiscale o altro documento reso fiscalmente obbligatorio.

Condizioni di Garanzia

1. BEKO Italy S.r.l. garantisce l'apparecchio per un periodo di 2 anni dalla data di acquisto (12 mesi se acquistato con fattura di vendita e non con scontrino fiscale).
2. La garanzia è valida esclusivamente sul territorio italiano compresa la Repubblica di San Marino e la città del Vaticano e deve essere comprovata da scontrino fiscale o fattura, che riporti il nominativo del Rivenditore, la data di acquisto dell'apparecchio nonché gli estremi i identificativi dello stesso (tipo, modello).
3. Per garanzia s'intende la sostituzione o riparazione gratuita delle parti componenti l'apparecchio che sono risultate difettose all'origine, per vizi di fabbricazione.
4. L'utente decade dai diritti di garanzia se non denuncia il difetto di conformità entro 2 mesi dalla scoperta dello stesso.
5. Diritto di Chiamata: gratuita per i primi 12 mesi di garanzia, a pagamento per gli altri 12 mesi nel caso l'utente non sia in grado di provare che il difetto sia dovuto a vizio di conformità del prodotto.
6. Manodopera e ricambi gratuiti per i 24 mesi del periodo di garanzia.
7. L'intervento di riparazione viene effettuato presso il centro di assistenza reperibile presso il call centre e sul sito www.beko.it, fatto salvo i casi di impossibilità oggettiva o di forza maggiore.
8. La riparazione o sostituzione dei componenti o dell'apparecchio stesso, non estendono la durata della garanzia.
9. Tutte le parti asportabili e tutte le parti estetiche, non sono coperte da garanzia.
10. Tutti i materiali soggetti ad usura non sono coperti da garanzia a meno che venga dimostrata la difettosità risalente a vizio di fabbricazione delle stesse.
11. La BEKO Italy S.r.l. declina ogni responsabilità per eventuali danni che possano derivare, direttamente od indirettamente, a persone e cose come conseguenza del mancato rispetto delle istruzioni tutte, incluse nell'apposito Manuale per l'uso dell'apparecchio allegato a ciascuno apparecchio, da parte dell'utente ed in particolar modo per quanto concerne le avvertenze relative alla installazione, all'uso ed alla manutenzione dell'apparecchio stesso.
12. La garanzia non diventa operante e l'assistenza sarà effettuata totalmente a pagamento nei seguenti casi:
 - a. Danni dovuti al trasporto o alla movimentazione delle merci.
 - b. Interventi di installazione e montaggio, così come l'errata connessione o errata erogazione dalle reti di alimentazione, mancanza di allacciamento alla presa di terra.
 - c. Installazione errata, imperfetta o incompleta, per incapacità d'uso da parte dell'Utente, se mancano gli spazi necessari ad operare attorno ai prodotti, per eccessiva o scarsa temperatura dell'ambiente,.
 - d. Interventi nei quali non è stato riscontrato il difetto lamentato, o per generici problemi di funzionamento causati da errata impressione del cliente
 - e. Danni causati da agenti atmosferici (fulmini, terremoti, incendi, alluvioni, ecc.)
 - f. Se il numero di matricola risulta asportato, cancellato o manomesso.
 - g. Riparazioni, modifiche o manomissioni effettuate da persone non autorizzate dal produttore o comunque per cause non dipendenti dal prodotto. Per guasti dovuti a mancanza di regolare manutenzione (pulizia e manutenzione del prodotto.).
 - h. Mancanza dei documenti fiscali o se gli stessi risultano contraffatti o non inerenti al prodotto.
 - i. L'uso improprio dell'apparecchio, non di tipo domestico o diverso da quanto stabilito dal produttore, fa decadere il diritto alla Garanzia.
 - j. Per tutte le circostanze esterne che non siano riconducibili a difetti di fabbricazione dell'elettrodomestico.
 - k. Si intendono a pagamento anche tutti gli eventuali trasporti necessari per lo svolgimento degli interventi legati ai casi citati.

Il Servizio Assistenza di BEKO Italy S.r.l. è l'unico autorizzato a riparare i prodotti a marchio BEKO. Per ogni controversia è competente il foro di Milano.

Durante e dopo il periodo di garanzia, vi consigliamo di rivolgervi sempre ai nostri centri di assistenza autorizzati. Per contattare il Centro di Assistenza Tecnica Autorizzato operante nella sua zona chiami il numero unico per l'Italia:

02.03.03

Prima di contattare l'assistenza tecnica, al fine di agevolare la gestione della chiamata, è necessario avere a portata di mano il modello del prodotto e il documento fiscale di acquisto.

Proszę najpierw przeczytać tę instrukcję obsługi!

Szanowni Klienci,

dziękujemy za wybranie produktu firmy Beko. Mamy nadzieję, że wyrób ten, wyprodukowany z zapewnieniem wysokiej jakości przy użyciu najnowszych technologii, okaże się w pełni zadowalający. Przed użyciem urządzenia należy uważnie przeczytać całą instrukcję obsługi oraz towarzyszące jej dokumenty i zachować ją do wglądu na przyszłość. Przekazując wyrób innemu użytkownikowi, należy dołączyć również niniejszą instrukcję. Przestrzegaj wszystkich ostrzeżeń i informacji zawartych w instrukcji obsługi.

Znaczenie symboli

W niniejszej instrukcji stosuje się następujące symbole:



Ważne informacje lub przydatne wskazówki dotyczące obsługi.



NIEBEZPIECZEŃSTWO:

Ostrzeżenie przed niebezpiecznymi sytuacjami dotyczącymi życia i mienia.



OSTRZEŻENIE: Ostrzeżenie wskazuje na potencjalnie niebezpieczną sytuację.



UWAGA: Ostrzeżenie wskazuje na potencjalne szkody materialne.



Materiały przeznaczone są do kontaktu z żywnością.



Urządzenie zostało wyprodukowane w bezpiecznych dla środowiska, nowoczesnych zakładach.

Nie zawiera PCB.

1 Ważne instrukcje dotyczące bezpieczeństwa i środowiska

W niniejszej części zawarto zalecenia dotyczące bezpieczeństwa mające na celu ochronę przed ryzykiem poniesienia uszczerbku na zdrowiu lub straty materialnej. Nieprzestrzeganie tych zaleceń skutkuje utratą gwarancji.

1.1 Zagrożenie porażeniem elektrycznym

Zagrożenie życia przez prąd elektryczny!

Kontakt z przewodami pod lub komponentami pod napięciem może prowadzić do poważnych obrażeń, a nawet śmierci!

Przestrzegaj następujących środków ostrożności, aby uniknąć porażenia prądem elektrycznym:

- Nie używaj urządzenia, jeśli kabel zasilania i wtyczka są uszkodzone. Skontaktuj się z autoryzowanym serwisem.

- Nie otwieraj obudowy ekspresu do kawy. Niebezpieczeństwo porażenia prądem w przypadku dotknięcia połączeń pod napięciem i/lub zmiany konfiguracji elektrycznej i mechanicznej.
- Przed czyszczeniem pojemnika na ziarna kawy wyciągnij wtyczkę urządzenia z gniazdka. Zagrożenie przez obracający się młynek do kawy!

1.2 Niebezpieczeństwo oparzenia

Podczas pracy ekspresu do kawy niektóre części urządzenia mogą silnie się nagrzewać. Przygotowywane napoje i emitowana para są bardzo gorące!

Aby uniknąć oparzenia siebie i/lub innych, należy przestrzegać poniższych zasad bezpieczeństwa:

1 Ważne instrukcje dotyczące bezpieczeństwa i środowiska

- Nie należy dotykać metalowych rurek żadnego z dwóch wylotów kawy.
- Należy unikać bezpośredniego kontaktu skóry z emitowaną parą wodną lub gorącą wodą wydostającą się z urządzenia podczas płukania, czyszczenia lub odkamieniania.
- Jeśli kabel zasilania jest uszkodzony, może go wymienić jedynie pracownik serwisu rekomendowanego przez producenta, aby uniknąć niebezpiecznych sytuacji. Prosimy o kontakt z producentem lub centrum serwisowym.
- Napraw ekspresu do kawy mogą dokonywać wyłącznie upoważnieni specjaliści lub firmowe centrum serwisowe. Naprawy dokonane przez niewykwalifikowane osoby mogą stwarzać bardzo niebezpieczne sytuacje dla użytkownika. Takie naprawy skutkują również utratą gwarancji.

1.3 Podstawowe zasady bezpieczeństwa

Aby zagwarantować bezpieczne użytkowanie ekspresu do kawy, należy przestrzegać poniższych zasad bezpieczeństwa:

- Nigdy nie baw się opakowaniem. Ryzyko uduszenia. Wszystkie opakowania należy trzymać z dala od dzieci.
- Przed użyciem sprawdź ekspres do kawy pod kątem widocznych oznak uszkodzeń. Nie używaj uszkodzonego ekspresu do kawy. Należy skontaktować się z autoryzowanym punktem serwisowym.
- Naprawy ekspresu do kawy w okresie gwarancji mogą być wykonywane wyłącznie przez centra serwisowe upoważnione przez producenta. W przeciwnym razie gwarancja nie obejmuje naprawy kolejnego uszkodzenia.

1 Ważne instrukcje dotyczące bezpieczeństwa i środowiska

- Wadliwe części należy zastępować wyłącznie oryginalnymi częściami zamiennymi. Tylko oryginalne części zamienne gwarantują spełnienie wymogów bezpieczeństwa.
- To urządzenie może być obsługiwane przez dzieci powyżej 8 roku życia oraz przez osoby o ograniczonej sprawności fizycznej, sensorycznej lub umysłowej, a także przez osoby bez doświadczenia ani wiedzy, jeśli korzystanie z urządzenia odbywa się pod nadzorem lub jeśli osobom tym wyjaśniono, jak bezpiecznie korzystać z urządzenia i zrozumiały one zagrożenia, które mogą wynikać z korzystania z urządzenia. Dzieci nie mogą bawić się urządzeniem. Dzieci mogą czyścić i konserwować urządzenie tylko pod nadzorem i po ukończeniu 8. roku życia.
- W pełni automatyczny ekspres do kawy Beko przeznaczony jest tylko do użytku domowego.
- To urządzenie nie jest przeznaczone do użytkowania profesjonalnego i do zastosowania w kuchniach zakładowych, sklepach, biurach, hotelach, motelach, placówkach bed & breakfast oraz innych podobnych obszarach zastosowania.
- Ekspres do kawy należy chronić przed czynnikami atmosferycznymi, takimi jak deszcz, mróz i bezpośrednie nasłonecznienie. Z ekspresu do kawy nie należy korzystać na zewnątrz budynków.
- Nie wolno zanurzać ekspresu do kawy ani kabli czy wtyczek zasilających w wodzie ani w innych płynach.
- Nie wolno czyścić ekspresu do kawy ani dołączonych akcesoriów w zmywarce.

1 Ważne instrukcje dotyczące bezpieczeństwa i środowiska

- Do zbiornika na wodę nie wolno nalewać żadnych innych płynów z wyjątkiem wody, ani umieszczać tam żywności.
- Przy napełnianiu zbiornika wodą nie należy przekraczać oznaczenia maksymalnego poziomu wody (dolna krawędź otworu do napełniania).
- Z urządzenia można korzystać tylko wówczas, gdy pojemnik na fusy, tacka ociekowa i kratka na filiżanki są na swoim miejscu.
- Nie wolno ciągnąć za kabel, aby wyjąć wtyczkę z gniazdka ani dotykać jej mokrymi rękami.
- Nie wolno ciągnąć ekspresu do kawy za kabel zasilający.
- Urządzenie i kabel zasilający należy umieścić w miejscu niedostępnym dla dzieci poniżej 8. roku życia.
- Urządzenie służy wyłącznie do przygotowywania kawy.
- Dzieci nie należy pozostawiać bez opieki, aby mieć pewność, że nie będą się one bawić urządzeniem.
- Przed każdym czyszczeniem urządzenia i gdy nie jest używane należy wyjąć wtyczkę z gniazdka.
- Urządzenie musi być ustawione tak, aby wtyczka była łatwo dostępna..
- Zawsze używaj urządzenia na stabilnej, płaskiej, czystej, suchej i antypoślizgowej powierzchni.
- Urządzenie nie ma wbudowanych ekspresów do kawy i nie jest przeznaczone do użytku w szafce. Podczas korzystania z ekspresu do kawy nie należy umieszczać go w szafce.
- Aby uniknąć uszkodzeń nie ściskaj ani nie zginaj przewodu zasilającego, nie pocieraj go o ostre krawędzie. Trzymaj przewód z dala od gorących powierzchni i otwartego ognia.

1 Ważne instrukcje dotyczące bezpieczeństwa i środowiska

- Zasilanie z domowej sieci elektrycznej powinno być zgodne z informacjami podanymi na tabliczce znamionowej urządzenia.
- Urządzenia można używać tylko wtedy, gdy jest podłączone do gniazda z uziemieniem.
- Z urządzeniem nie należy używać przedłużaczy.
- Gdy urządzenie jest podłączone nie należy dotykać wtyczki mokrymi lub wilgotnymi rękoma.

1.4 Korzystanie zgodne z przeznaczeniem

Automatyczny ekspres do kawy Beko jest przeznaczony do wykorzystywania w domu. Ten ekspres do kawy nie jest przeznaczony do użytku komercyjnego. Urządzenie przeznaczone jest wyłącznie do przygotowywania kawy oraz podgrzewania mleka i wody. Każdy przypadek użycia go do innych celów, niż wyżej wymienione, uznaje się za nieprawidłowe korzystanie z urządzenia.

Nieprawidłowe korzystanie z urządzenia może być niebezpieczne!

Ekspres do kawy, jeśli będzie używany w sposób niezgodny z przeznaczeniem, może być przyczyną niebezpieczeństwa.



OSTRZEŻENIE: W związku z powyższym ekspresu do kawy można używać tylko zgodnie z przeznaczeniem.

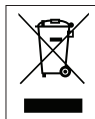


OSTRZEŻENIE: Należy przestrzegać procedur opisanych w niniejszej instrukcji obsługi.

Nie będą rozpatrywane żadne roszczenia w związku ze szkodą lub uszczerbkiem na zdrowiu spowodowanymi korzystaniem z ekspresu do kawy w sposób niezgodny z przeznaczeniem. Ryzyko ponosi wówczas wyłącznie właściciel urządzenia.

1.5 Zgodność z dyrektywą WEEE i usuwanie odpadów:

Niniejszy wyrób jest zgodny z dyrektywą Parlamentu Europejskiego i Rady (2012/19/WE). Wyrób ten oznaczony jest symbolem klasyfikacji zużytych urządzeń elektrycznych i elektronicznych (WEEE).



Ten symbol oznacza, że sprzęt nie może być umieszczany łącznie z innymi odpadami gospodarstwa domowego po okresie jego użytkowania. Zużyte urządzenie należy oddać do specjalnego punktu zbiórki zużytego sprzętu elektrycznego i elektronicznego w celu utylizacji. Aby uzyskać informacje o punktach zbiórki w swojej okolicy należy skontaktować się z lokalnymi władzami lub punktem sprzedaży tego produktu. Gospodarstwo domowe spełnia ważną rolę w przyczynianiu się do ponownego użycia i odzysku zużytego sprzętu. Odpowiednie postępowanie ze zużytym sprzętem zapobiega potencjalnym negatywnym konsekwencjom dla środowiska naturalnego i ludzkiego zdrowia.

1 Ważne instrukcje dotyczące bezpieczeństwa i środowiska

1.6 Zgodność z rozporządzeniem WEEE i utylizacja produktu po zakończeniu eksploatacji

Ten produkt nie zawiera szkodliwych ani zabronionych materiałów wyszczególnionych w „Rozporządzeniu dotyczącym nadzoru nad utylizacją urządzeń elektrycznych i elektronicznych” wydanym przez Ministerstwo Środowiska i Planowania Przestrzennego. To urządzenie jest zgodne z wymogami rozporządzenia WEEE.

Produkt ten został wyprodukowany z elementów i materiałów wysokiej jakości nadających się do recyklingu i ponownego wykorzystania. Po zakończeniu eksploatacji nie należy zatem wyrzucać produktu wraz ze zwykłymi odpadami domowymi.

Urządzenie należy zanieść do punktu zbiórki sprzętu elektrycznego i elektronicznego do recyklingu. Informacji o punktach zbiórki w swojej okolicy należy zasięgnąć u lokalnych władz. Zanosząc zużyte produkty do punktów recyklingu przyczyniają się Państwo do ochrony środowiska i zasobów naturalnych.

1.7 Informacje o opakowaniu

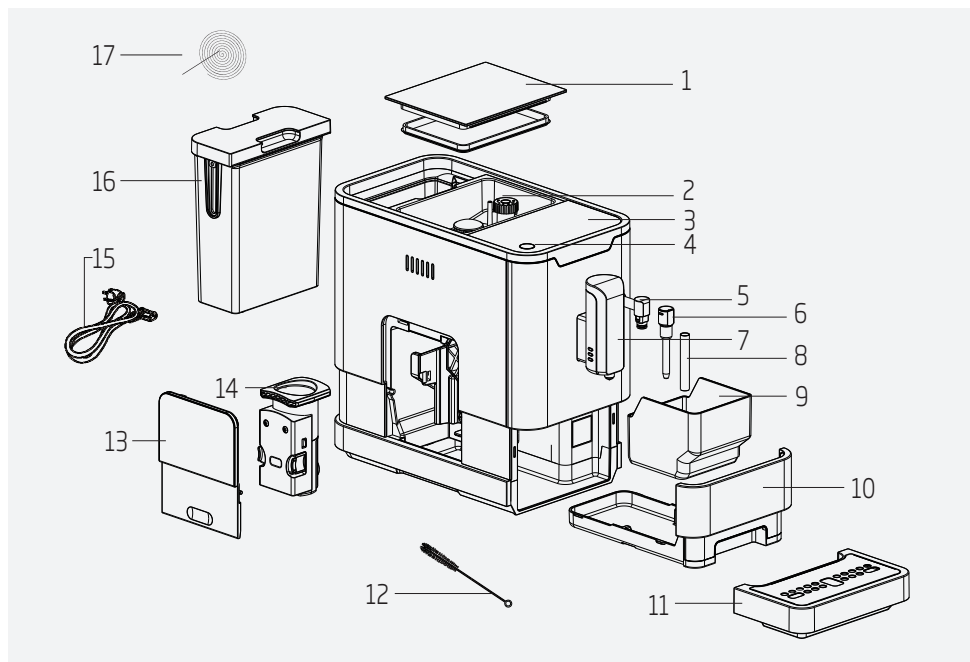


Opakowanie produktu wykonano z materiałów nadających się do powtórnego użycia zgodnie z krajowym ustawodawstwem. Nie należy wyrzucać opakowania wraz z odpadami domowymi ani innymi odpadami. Należy zanieść je do punktu zbiórki opakowań wyznaczonego przez lokalne władze.

1.8 Zgodność z dyrektywą RoHS

Zakupiony produkt jest zgodny z unijną dyrektywą RoHS (2011/65/UE). Nie zawiera on szkodliwych ani zabronionych materiałów wyszczególnionych w dyrektywie.

2 Twój w pełni automatyczny ekspres do kawy



1. Przykrywka pojemnika na ziarna kawy
2. Pojemnik na ziarna kawy
3. Panel sterowania
4. Przycisk wł./wyl.
5. Dysza spieniająca
6. Osłona dyszy
7. Regulowany dozownik kawy
8. Metalowa rurka
9. Pojemnik na fusy kawy
10. Wewnętrzna taca ociekowa
11. Zewnętrzna taca ociekowa
12. Szczoteczka do czyszczenia
13. Drzwiczki serwisowe
14. Zaparzacz
15. Kabel zasilania
16. Zbiornik wody
17. Igła do czyszczenia

Dane techniczne

Zasilanie:

220-240V~, 50-60Hz












Moc: 1350W

Zastrzega się prawo do wprowadzania modyfikacji konstrukcji i danych technicznych.

Wszystkie deklarowane wartości na produkcie i drukowanych ulotkach są pobierane po pomiarach laboratoryjnych wykonanych zgodnie z odpowiednimi normami. Wartości te mogą się różnić w zależności od warunków użytkowania i otoczenia.

3 Wyświetlacz

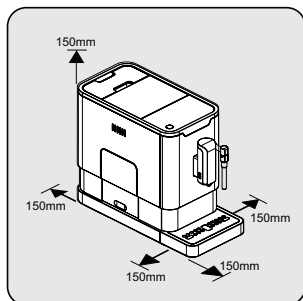
3.1 Panel sterowania

	Miga: Niski poziom wody/Brak zbiornika wody
	Za mało ziaren kawy
	Stale światło ostrzegawcze: Pojemnik na fusy kawy jest pełen Migające światło: Brak wewnętrznej tacy ociekowej/pojemnika na fusy
	Stale światło ostrzegawcze: Brak zaparzacza/nieprawidłowo zainstalowany Migające światło: Drzwiczki serwisowe są otwarte/nieprawidłowo zainstalowane
	Stale światło ostrzegawcze: Wymaga odkamienienia Migające światło: Okamienianie w toku
	Uruchomiona funkcja opróżniania systemu
	Przycisk WŁ./WYŁ.
	Przycisk pary
	Przycisk gorącej wody
	Przycisk mocnego espresso (25-40ml kawy po jednym naciśnięciu przycisku)
	Przycisk łagodnego espresso (51-69ml kawy po jednym naciśnięciu przycisku)

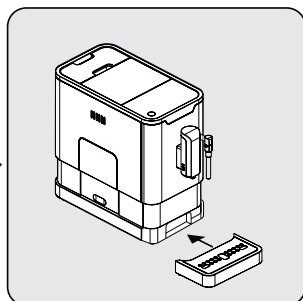
4 Przygotowanie

4.1 Instalacja

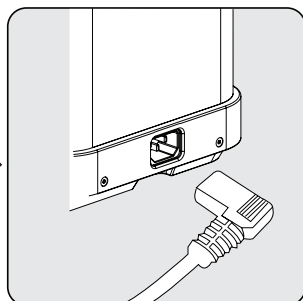
i Usuń wszelkie folie ochronne, naklejki i inne materiały opakowaniowe z urządzenia.



Wybierz bezpieczną i stabilną powierzchnię z łatwo dostępnym gniazdkiem i zachowaj minimalną odległość od boków urządzenia.



Włóż zewnętrzną taczkę ociekową. Upewnij się, że jest właściwie włożona.



Rozwiń i rozprostuj przewód zasilania i włóż wtyczkę do gniazdka znajdującego się z tyłu urządzenia. Podłącz drugi koniec przewodu zasilania do gniazdka o odpowiednim napięciu.

4.2 Napełnianie zbiornika na wodę

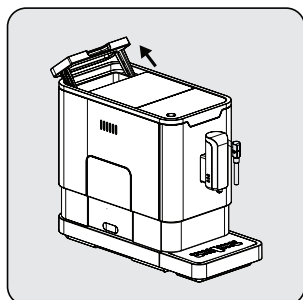


O programie ochrony: Jeśli zbiornik na wodę nie jest całkowicie włożony do urządzenia, po 15 sekundach parzenia włączy się tryb ochrony. Na panelu sterowania zaświeci się przycisk gorącej wody.

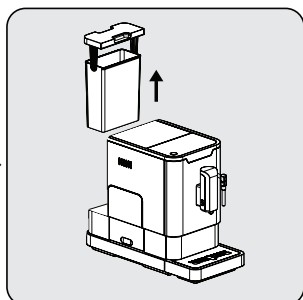
1. Upewnij się, że zbiornik na wodę jest całkowicie włożony do urządzenia.
2. Naciśnij przycisk gorącej wody. Po nalaniu gorącej wody urządzenie przejdzie w stan gotowości.



OSTRZEŻENIE: Gdy  miga, poziom wody w zbiorniku jest niski i wymaga napełnienia.



Podnieś zbiornik na wodę używając pokrywki jako rączki.



Wymij zbiornik na wodę.



Wypłucz zbiornik na wodę świeżą wodą, a następnie napełnij go do poziomu Max i włóż z powrotem do urządzenia. Upewnij się, że jest włożony do końca.

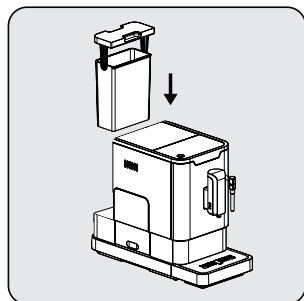
4 Przygotowanie



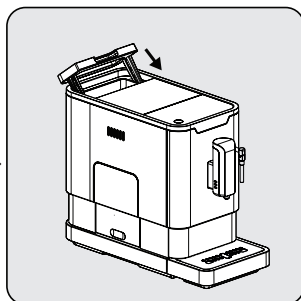
Aby zapobiec przelewaniu się wody ze zbiornika, nie należy dodawać wody bezpośrednio do urządzenia innym naczyniem.



OSTRZEŻENIE: Nigdy nie wlewaj do zbiornika na wodę ciepłej lub gorącej wody, wody gazowanej ani innej cieczy, która może uszkodzić zbiornik na wodę i urządzenie.



Włóż zbiornik na wodę z powrotem na swoje miejsce, używając pokrywki jako rączki.

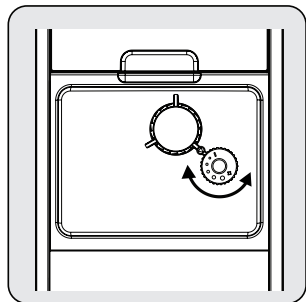


Zamknij zbiornik na wodę używając pokrywki.

5 Obsługa

5.1 Regulacja mielenia

Młynek można dostosować do stopnia palenia kawy, obracając pokrętło regulacyjne w pojemniku na ziarna kawy:



OSTRZEŻENIE: Nigdy nie reguluj grubości mielenia, gdy urządzenie jest w użyciu.

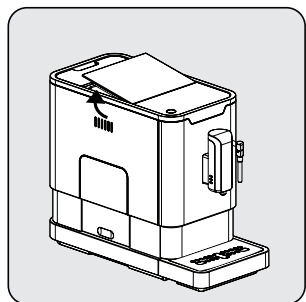


Kropki na pokrętle regulacyjnym wskazują stopień zmielenia.

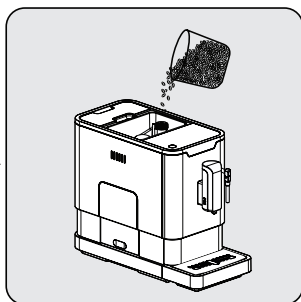
5.2 Napełnianie pojemnika na ziarna kawy



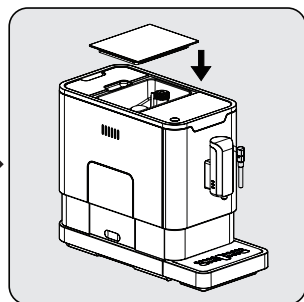
Gdy  miga, urządzenie należy napełnić ziarnami kawy.



Zdejmij pokrywkę pojemnika na ziarna kawy.



Powoli wysyp ziarna kawy.



Nałóż z powrotem pokrywkę pojemnika.

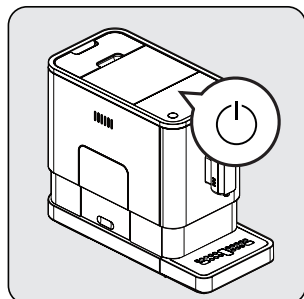


OSTRZEŻENIE: Napełniaj pojemnik na ziarna kawy tylko ziarnami kawy. Kawa mielona, rozpuszczalna, karmelizowana lub inne przedmioty mogą uszkodzić urządzenie.

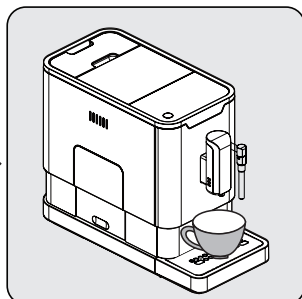
5 Obsługa

i Naciśnij przycisk gorącej wody, aby wyczyścić wnętrze ekspresu do kawy przed pierwszym użyciem.

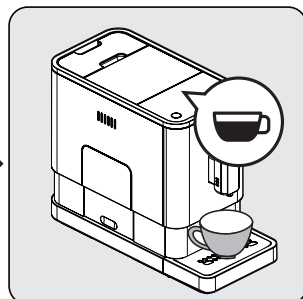
5.3 Przygotowanie kawy



Włącz urządzenie, naciskając przycisk włączania/wyłączania. Urządzenie włączy się w trybie czuwania i będzie gotowe do użycia po wypłynięciu gorącej wody z kranika kawy.



Podstaw filiżankę pod dozownik kawy i wyreguluj jego wysokość tak, aby pasowała do filiżanki.



Naciśnij przycisk espresso, a kontrolka zaświeci się wskazując, że urządzenie przygotowuje filiżankę kawy. Gdy urządzenie powróci do trybu czuwania, kawa będzie gotowa do podania.

i Wyłącz urządzenie, naciskając przycisk włączania/wyłączania.

i Naciśnij przycisk mocnego espresso lub łagodnego espresso, w zależności od preferowanego smaku kawy.

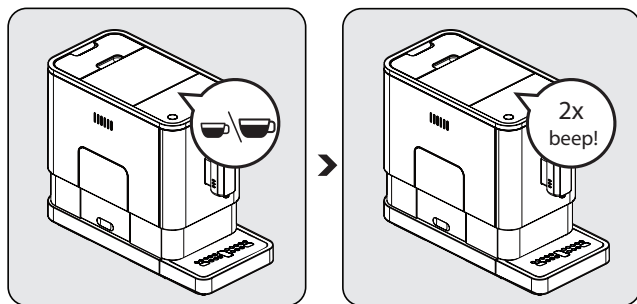
i Naciśnij przycisk gorącej wody, aby wyczyścić wnętrze ekspresu do kawy przed pierwszym użyciem.

i Urządzenie wyposażone jest w system automatycznego wyłączenia. W zależności od wybranego trybu, urządzenie będzie miało różne czasy automatycznego wyłączenia.

5.4 Regulacja ilości kawy/gorącej wody

Możesz zapisać żądaną ilość kawy zarówno dla mocnego espresso, jak i łagodnego espresso, a także gorącej wody od 25ml do 250ml.

5 Obsługa



Przygotowując kawę (mocne lub łagodne espresso), naciśnij i przytrzymaj wybrany przycisk. Urządzenie będzie przygotowywać kawę, gdy trzymasz wciśnięty przycisk.

Gdy ilość kawy osiągnie żądaną objętość, zwolnij przycisk. Jeśli usłyszysz dwa sygnały dźwiękowe, oznacza to, że urządzenie zapisało preferowaną ilość kawy.

Aby przywrócić ustawienia domyślne/fabryczne;

W celu przywrócenia zapisanych w pamięci ustawień domyślnych wyboru ilości kawy i gorącej wody konieczne jest przywrócenie ustawień fabrycznych.

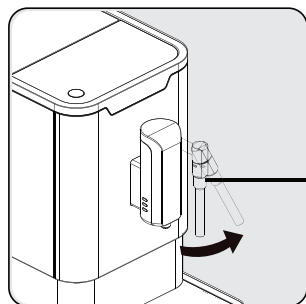
1. Gdy urządzenie jest wyłączone, wyjmij wewnętrzną i zewnętrzną tackę ociekową,
 2. Zdejmij osłonę serwisową,
 3. Wyjmij dzbanek,
 4. Załóż osłonę serwisową,
 5. Naciśnij przycisk włączania/wyłączania na 5 sekund (wyda sygnał dźwiękowy 2 razy)
 6. Otwórz osłonę serwisową,
 7. Włóż dzbanek,
 8. Zamknij osłonę serwisową,
 9. Włóż tackę ociekową.
- Został zresetowany do ustawień fabrycznych.

5.5 Przygotowanie spienionego mleka do kawy

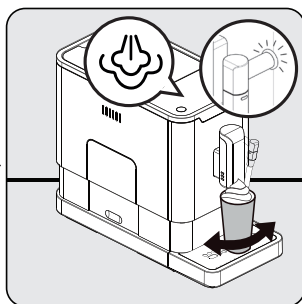


Ponieważ temperatura pary jest wyższa niż temperatura espresso, espresso należy przygotować przed zrobieniem spienionego mleka. W przeciwnym razie espresso może się przypalić.

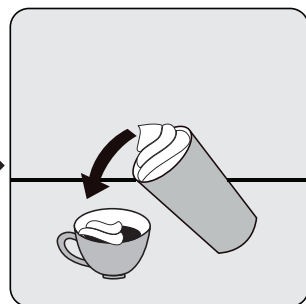
5 Obsługa



Przygotuj kawę espresso w większej filiżance. Obróć dyszę spieniającą w stronę tacki ociekowej.



Naciśnij przycisk pary. Kontrolka pary zacznie migać. Następnie urządzenie nagrzeje się i odprowadzi resztkę wody do tacki ociekowej lub innego pojemnika. Gdy kontrolka pary przestanie migać i zapali się na stałe, umieść pojemnik z mlekiem pod dyszą spieniającą i zanurz dyszę na głębokość około 5cm w pojemniku. Obróć pojemnik, gdy zacznie wydobywać się z niego gorąca para.



Wlej gorące spienione mleko do espresso. Teraz możesz cieszyć się swoją kawą!



Po użyciu dyszy pary należy oczyścić dyszę z pozostałości mleka, wycierając ją wilgotną szmatką.



Zaleca się usunięcie wszelkich pozostałości mleka, które mogą gromadzić się na końcówce dyszy, poprzez włączenie funkcji nalewania gorącej wody z dyszy.

5.6 Gorąca woda

Urządzenie może podać gorącą wodę, po naciśnięciu przycisku gorącej wody. Podświetlenie przycisku gorącej wody i kontrolka wskazują na to, że urządzenie podgrzewa wodę. Gdy podświetlenie przycisku gorącej wody i kontrolka zgaśnie, woda jest gotowa do podania.

5.7 Wybór trybu



Urządzenie ma trzy różne ustawienia: ustawienie domyślne, tryb ECO i tryb szybki. W trybie ECO urządzenie oszczędza więcej energii. W trybie szybkim użytkownik może przygotować kawę szybciej niż w ustawieniu domyślnym.




	Tryb ECO	Tryb szybki	Ustawienie domyślne
Podświetlenie	Nie	Tak	Tak
Zaparzanie wstępne*	Tak	Nie	Tak
Czas automatycznego wyłączenia	10 min.	30 min.	20 min.
Pamięć pojemności filiżanki	Tak	Tak	Tak


5 Obsługa



Funkcja wstępnego zaparzania zwilża zmielone ziarna w zaparzaczu niewielką ilością wody przed całkowitą ekstrakcją. Dzięki temu zmielona kawa zwiększa swą objętość i podnosi ciśnienie w zaparzaczu, co pomaga w ekstrakcji wszystkich olejków i wydobyć pełny smak ziaren.

1. Gdy urządzenie jest w trybie gotowości, naciśnij i przytrzymaj  przez 5 sekund.
2.  zacznie migać, a następnie przycisk będzie miał następujące wskazania dla różnych ustawień:

	Przycisk gorącej wody 	Przycisk mocnego espresso 	Przycisk łagodnego espresso 
W trybie ECO	Zapalony na stałe	Miga	Miga
W trybie szybkim	Tak	Nie	Miga
W ustawieniu domyślnym	Miga	Miga	Zapalony na stałe

3. Naciśnij przycisk gorącej wody, aby włączyć tryb ECO, przycisk mocnego espresso dla trybu szybkiego i przycisk łagodnego espresso po ustawienia domyślne. Po wybraniu trybu usłyszysz dwa sygnały dźwiękowe. (Uwaga: Jeśli naciśniesz zapalony na stałe przycisk dla każdego trybu, urządzenie nie zareaguje).
4. Jeśli chcesz, aby ustawienie pozostało niezmienione, naciśnij  ponownie lub odczekaj 5 sekund, aż urządzenie powróci do stanu gotowości.

6 Czyszczenie

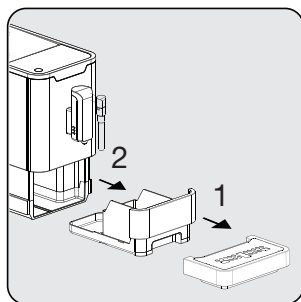
6.1 Czyszczenie urządzenia

1. Wyciągnij wtyczkę z gniazdka.
2. Wylej całą wodę z wewnętrznej i zewnętrznej tacki ociekowej.
3. Użyj wilgotnej i miękkiej szmatki do wytarcia urządzenia.

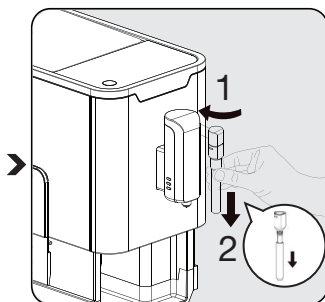


OSTRZEŻENIE: Do czyszczenia urządzenia nie wolno używać żadnych środków ściernych, octu ani środków do usuwania kamienia, które nie są dołączone do opakowania.

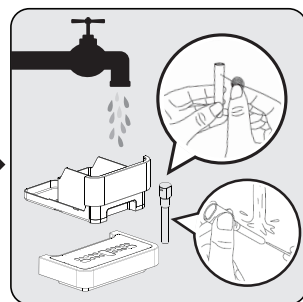
Regularne czyszczenie i konserwacja urządzenia jest bardzo ważne dla przedłużenia jego żywotności.



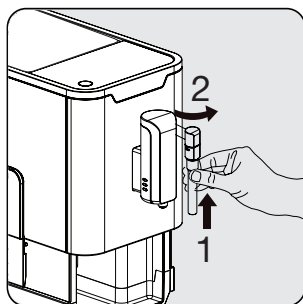
Wymij zewnętrzną tackę ociekową. Wysuń wewnętrzną tackę ociekową i pojemnik na fusy.



Zdejmij metalową rurkę, pociągając ją w dół. Następnie odblokuj osłonę dyszy, obracając ją w lewo, aby zdemonstrować osłonę dyszy i metalową rurkę.




Opróżnij pojemnik na fusy i zewnętrzną tackę ociekową. Umyj metalową rurkę pod ciepłą bieżącą wodą i użyj igły lub szczotki do oczyszczenia otworu. Umyj osłonę dyszy pod ciepłą bieżącą wodą i użyj igły lub szczotki do oczyszczenia otworu. Następnie wysusz je.

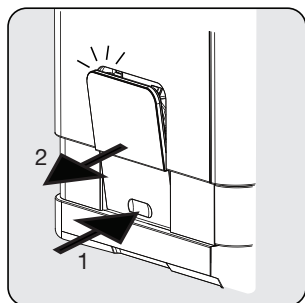


Zamontuj metalową rurkę z powrotem do osłony dyszy. Następnie popchnij ją do góry, aby ponownie założyć osłonę dyszy. Następnie obróć ją w prawo, aby ją zablokować.

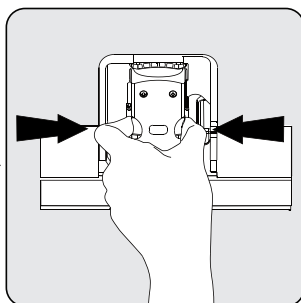


Gdy  zapali się, należy opróżnić pojemnik na fusy. Ikona zapala się po każdym 10 zaparzeniach kawy. Wyczyść pojemnik, aby zresetować ikonę. Jeśli pojemnik jest czysty, wystarczy go wyjąć i włożyć z powrotem na miejsce.

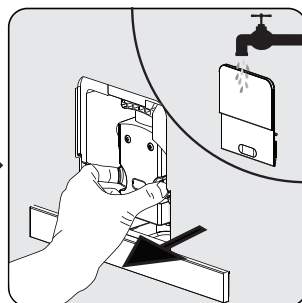
6 Czyszczenie



Naciśnij obszar odblokowania, drzwiczki serwisowe odskoczą. Następnie wyciągnij drzwiczki serwisowe.



Naciśnij pokrętła zwalniające i wyciągnij.



Wymij zaparacz. Przemij zaparacz pod bieżącą wodą. Następnie wysusz zaparacz.



Gdy  zapali się, sygnalizuje brak zaparacza/nieprawidłową instalację. Gdy  miga, oznacza to, że drzwiczki serwisowe są wyjęte/nieprawidłowo zamontowane.

6.2 Samoczyszczenie







OSTRZEŻENIE: Zaczekaj na zakończenie procesu samooczyszczania, a następnie wyłącz urządzenie.

Gdy  miga, oznacza to, że urządzenie wymaga samooczyszczania. Urządzenie pozostanie w najlepszym stanie, jeśli ta funkcja będzie wykonywana przynajmniej raz w miesiącu lub częściej, w zależności od twardości używanej wody. Należy

1. Napełnić zbiornik na wodę
2. Dodać jedno opakowanie środka czyszczącego znajdującego się w pudełku do zbiornika na wodę.






OSTRZEŻENIE: Do samooczyszczania tego urządzenia nie używaj octu ani innych środków czyszczących. Środek czyszczący może uszkodzić urządzenie.

3. Podłącz urządzenie.
4. Podstaw odpowiednio duży pojemnik pod dozownik kawy i dyszę.
5. W trybie gotowości naciśnij i przytrzymaj  i przycisk mocnego espresso  przez 5 sekund. Usłyszysz sygnał dźwiękowy i przycisk mocnego espresso  zacznie migać.
6. Naciśnij przycisk mocnego espresso, aby potwierdzić proces samooczyszczania. Aby powrócić do stanu gotowości, naciśnij .
7. Jeśli miga, oznacza to, że urządzenie samo się czyści.

6 Czyszczenie








OSTRZEŻENIE: Trzymaj skórę/ciało z dala od gorącej wody.

8. Kiedy cała woda w zbiorniku zostanie opróżniona,  i przycisk samoczyszczenia  zaczną migać. Usuń cały pozostały roztwór ze zbiornika na wodę i napełnij zbiornik zwykłą wodą z kranu do maksymalnego poziomu. Gdy zbiornik jest pełny,  zgaśnie. Następnie urządzenie będzie kontynuowało proces samooczyszczania.
9. Po zakończeniu procesu samooczyszczania urządzenie wyłączy się automatycznie.

6.3 Funkcja opróżniania systemu

Funkcji opróżniania systemu należy używać przed długim okresem nieużywania w celu ochrony przed zamarzaniem i przed rozmową z serwisantem.






1. W trybie gotowości naciśnij i przytrzymaj  i przycisk łagodnego espresso  przez 5 sekund.
2.  zacznie migać.
3. Wyjmij zbiornik na wodę z urządzenia.  zapali się wskazując na to, że opróżnianie systemu jest w toku. Naciśnij  przed wyjęciem zbiornika na wodę, aby powrócić do trybu gotowości.
4. Po zakończeniu procesu opróżniania urządzenie wyłączy się automatycznie.



OSTRZEŻENIE: Po wykonaniu CZYNNOŚCI OPRÓŻNIANIA SYSTEMU; naciśnij przycisk gorącej wody, aż woda zacznie wypływać z dozownika przy ponownym użyciu ekspresu do kawy.

6.4 Płukanie ręczne

Możesz ręcznie przepłukać urządzenie, aby wyczyścić dozownik kawy po użyciu. Jeśli urządzenie nie było używane przez dłuższy czas, dobrze jest ręcznie je płukać.

1. W trybie gotowości naciśnij i przytrzymaj  oraz przycisk gorącej wody .
2. Przycisk gorącej wody , przycisk mocnego espresso  i przycisk łagodnego espresso  zgasną. Z dozownika wyleje się niewielka ilość wody użytej do płukania.



OSTRZEŻENIE: Woda wypływająca z dyszy do kawy jest gorąca i zbiera się w tacce ociekowej pod spodem. Unikaj kontaktu, gdy się rozpryskuje.

3. Po płukaniu urządzenie powróci do trybu czuwania.

6 Czyszczenie

Anulowanie trybu automatycznego czyszczenia

Urządzenie czyści się automatycznie przed i po każdym zaparzeniu kawy. Aby anulować tryb automatycznego czyszczenia należy:

- Włączyć urządzenie, naciskając włącznik i poczekać, aż zatrzaśnie się w pozycji Stand-by.
- Otworzyć pokrywę serwisową.
- Nacisnąć włącznik przez 5 sekund, aż rozlegnie się sygnał dźwiękowy.
- Zamknąć pokrywę serwisową.
- Automatyczne czyszczenie zostało anulowane.



W celu zapewnienia prawidłowego działania zalecamy aktywne korzystanie z trybu automatycznego czyszczenia.

7 Rozwiązywanie problemów

Problem	Przyczyna	Rozwiązanie
Urządzenie nie działa.	Urządzenie nie jest podłączone do prądu.	Podłącz i naciśnij przełącznik. Sprawdź kabel i wtyczkę.
Brak lub opóźniona reakcja po kilku próbach naciśnięcia klawisza funkcyjnego na panelu	Urządzenie jest narażone na zakłócenia elektromagnetyczne. Brud na panelu.	Odłącz urządzenie od prądu. Uruchoom ponownie po kilku minutach Wyczyść panel dostarczoną szmatką.
Kawa nie jest wystarczająco gorąca.	Filiżanki nie zostały podgrzane. Zaparzacz jest za zimny.	Podgrzej filiżankę za pomocą funkcji pary przed zaparzeniem kawy lub optucz filiżankę gorącą wodą. Upewnij się, że woda w zbiorniku na wodę nie jest za zimna.
Kawa nie może wypłynąć z dozownika.	Być może została wcześniej użyta funkcja opróżniania systemu. Dozownik kawy mógł nie zostać wyczyszczony i jest zablokowany przez resztki kawy.	Naciśnij przycisk gorącej wody, aż woda zacznie wypływać z dozownika. Wyczyść dozownik kawy.
Pierwsza filiżanka kawy jest kiepskiej jakości.	Pierwsze uruchomienie młynka nie powoduje wysypania wystarczającej ilości kawy do zaparzacza.	Wylej kawę. Kolejne filiżanki będą lepsze.
Zbiornik na wodę jest wyjęty/poziom wody w zbiorniku jest bardzo niski, ale nie ma alarmu 	Obszar w pobliżu złącza zbiornika wody jest mokry.	Wytrzyj wodę wokół złącza zbiornika wody.
Wewnętrzna tacka ociekowa jest wypełniona dużą ilością wody.	Mielona kawa jest zbyt drobna, co blokuje wypływ wody.	Ustaw stopień mielenia kawy do większej kropki.
Kawa wypływa zbyt wolno lub kropla po kropli.	Kawa jest zbyt drobno zmielona, co blokuje wypływ wody.	Ustaw stopień mielenia kawy do większej kropki.
Wskaźnik miga, że nie ma wystarczającej ilości ziaren kawy, ale w pojemniku jest jej dużo.	Wewnętrzny wylot fusów jest zatkany.	Wykonaj czynności opisane w punkcie Czyszczenie wylotu fusów.
Nie można wyjąć zaparzacza lub tacki na fusy.	Urządzenie nie zakończyło procesu samoczyszczenia i zostało wyłączone.	Włącz ponownie urządzenie i pozwól mu zakończyć proces automatycznego czyszczenia.
Urządzenie nie wykonuje już cyklu płukania po włączeniu lub wyłączeniu.	Przyczyną może być niewłaściwa obsługa podczas serwisowania urządzenia.	1. Gdy urządzenie jest włączone, zdejmij drzwiczki serwisowe. 2. Naciśnij i przytrzymaj przycisk włączenia/wyłączenia, aż usłyszysz 2 sygnały dźwiękowe. 3. Załóż z powrotem drzwiczki serwisowe.
Przyciski dotykowe nie działają.	Nie naciskasz przycisku dotykowego od przodu urządzenia.	Naciśnij dolną dolną część ikonki przycisku dotykowego od przodu urządzenia.

Drodzy Klienci,

Dziękujemy za zakup naszych produktów. Jesteśmy przekonani, że nasze urządzenia będą służyć przez lata. Każdy produkt firmy Beko jest objęty 2-letnim okresem gwarancji.

Warunki gwarancji Beko S.A. (małe urządzenia AGD)

BEKO spółka akcyjna z siedzibą w Warszawie (02-819), przy ulicy Puławskiej 366, wpisana do rejestru przedsiębiorców prowadzonego przez Sąd Rejonowy dla m.st. Warszawy w Warszawie, XIII Wydział Gospodarczy Krajowego Rejestru Sądowego, pod numerem: 0000078147 (dalej: „BEKO”) udziela gwarancji jakości (dalej: „Gwarancja”) na wprowadzone przez BEKO do obrotu na terenie Polski produkty marki BEKO (dalej: „Urządzenia”) osobom, które nabyły te produkty („Użytkownik”) na następujących warunkach:

I. ZAKRES OCHRONY.

BEKO gwarantuje, że Urządzenie zakupione przez Użytkownika jest wolne od wad produkcyjnych lub materiałowych, powstałych z przyczyn tkwiących w tym Urządzeniu (dalej: „Wada”), które ujawnią się w ciągu terminu określonego w części II. niniejszych Warunków Gwarancji (dalej: „Okres Gwarancyjny”).

W razie ujawnienia się Wady Produktu w trakcie Okresu Gwarancyjnego, zostanie ona usunięta na koszt BEKO w sposób uzależniony od właściwości wady, na zasadach i w zakresie określonym w niniejszych Warunkach Gwarancji.

BEKO zobowiązuje się do usunięcia Wady poprzez dokonanie nieodpłatnej naprawy lub wymiany Urządzenia, bądź też reklamacja zgłoszona na podstawie niniejszych Warunków Gwarancji zostanie rozpatrzona w inny sposób uzgodniony przez BEKO i Użytkownika. Udzielona gwarancja jest ważna na terytorium Rzeczypospolitej Polskiej.

II. CZAS TRWANIA GWARANCJI.

Okres Gwarancyjny wynosi 24 miesiące licząc od daty zakupu Urządzenia przez pierwszego Użytkownika.

III. PROCEDURA ZGŁOSZENIA REKLAMACYJNEGO.

Wady Urządzenia ujawnione w Okresie Gwarancyjnym będą usuwane pod warunkiem przedstawienia przez Użytkownika dowodu zakupu tego Urządzenia zawierającego oznaczenia niezbędne do jego identyfikacji (model, datę zakupu).

Uprawnienia wynikające z niniejszych Warunków Gwarancji mogą być zrealizowane przez Użytkownika wyłącznie w Autoryzowanych Punktach Serwisowych BEKO (dalej: „Serwis”) po uprzednim dokonaniu zgłoszenia na Infolinii BEKO pod numerem telefonu: 22 250 14 14. Urządzenie powinno być odpowiednio zapakowane i zabezpieczone przez Użytkownika na czas transportu do punktu serwisowego Beko.

Wady Urządzenia będą usunięte w terminie 14 dni od daty zgłoszenia Wady na Infolinii BEKO. Jeżeli część zamienna wymieniana w ramach uprawnień wynikających z niniejszych Warunków Gwarancji Urządzenia jest sprowadzana z zagranicy, termin naprawy, o którym mowa w punkcie 5 powyżej, może ulec wydłużeniu jednak, nie więcej niż do 30 dni licząc

odpowiednio od daty zgłoszenia Wady na Infolinii BEKO. Informacje o spodziewanych terminach napraw dostępne są na Infolinii BEKO pod numerem 22 250 14 14. Po usunięciu Wady, Urządzenie zostanie dostarczone Użytkownikowi na koszt BEKO.

IV. WYŁĄCZENIA.

Warunkiem skorzystania z niniejszych Warunków Gwarancji jest:

- użytkowanie Urządzenia zgodnie z Instrukcją Obsługi dołączoną do tego Urządzenia i jego przeznaczeniem, jak również odpowiednie czyszczenie i konserwacje Urządzenia;
- użytkowanie w warunkach indywidualnego gospodarstwa domowego. Urządzenie nie jest używane do celów prowadzenia działalności gospodarczej lub w zastosowaniach eksploatacji masowej, w szczególności w gastronomicznej działalności hoteli, restauracji i innych obiektów turystyczno-rekreacyjnych lub zbiorowego żywienia. Stosowanie osprzętu zalecanego przez producenta; brak ingerencji w Urządzenie przez osoby do tego nieupoważnione; brak ingerencji w tabliczkę znamionową z numerem seryjnym Urządzenia.

Udzielona przez Beko Gwarancja nie obejmuje:

- wad powstałych z przyczyn innych niż tkwiące w Urządzeniu;
- normalnego zużycia elementów eksploatacyjnych tj. akumulatory, baterie, noże, filtry, żarówki, szczotki, itp.;
- czynności przewidzianych w Instrukcji Obsługi, do wykonania których zobowiązany jest Użytkownik Urządzenia we własnym zakresie i na swój koszt, w tym: instruktażu dotyczącego obsługi Urządzenia, instalacji oraz regulacji urządzenia.
- usterek powstałych w wyniku nieprawidłowego lub niewłaściwego użytkowania, niedbalstwa, przypadkowego uszkodzenia Urządzenia, nieodpowiedniego napięcia prądu lub dokonania jakichkolwiek zmian, które mają wpływ na niewłaściwe działanie Urządzenia, i które naprawiane były przez osoby nieupoważnione, używania instalacji niezgodnych z odpowiednimi Polskimi Normami i innych niż wymienione w Instrukcji Obsługi Urządzenia; uszkodzeń mechanicznych, termicznych, chemicznych, korozji, innych uszkodzeń spowodowanych działaniem lub zaniedbaniem Użytkownika lub powstałych na skutek działania sił zewnętrznych (do których zalicza się w szczególności wyładowania atmosferyczne, skoki napięcia, wszystkiego rodzaju awarie domowej instalacji wodno-kanalizacyjnej, itp.), a także powstałych na skutek przedostania się zanieczyszczeń lub ciał obcych do Urządzenia, zakamienienia (proces odkamieniania musi być przeprowadzany zgodnie z instrukcją obsługi z użyciem odpowiednich środków czyszczących) elementów ze szkła, plastiku oraz porcelany; odbarwień Urządzenia lub poszczególnych jego części;
- usterek powstałych na skutek przechowywania i użytkowania Urządzenia w warunkach, które są niezgodne z normalnymi warunkami domowymi określonymi wymaganiami powszechnie obowiązujących przepisów prawa i odpowiednich Polskich Norm;

V. POZOSTAŁE POSTANOWIENIA.

Niniejsze warunki gwarancji mają zastosowanie do Urządzeń zakupionych od dnia 01.03.2019 r. Gwarant oświadcza, że niniejsza Gwarancja jest udzielana Użytkownikowi dodatkowo i nie wyłącza, nie ogranicza ani nie zawiesza uprawnień Użytkownika wynikających z przepisów o rękojmi za wady rzeczy sprzedanej na podstawie Kodeksu cywilnego.

Vă rugăm să citiți acest manual de utilizare înainte de folosirea aparatului!

Stimați clienți,

Vă mulțumim că ați ales un produs Beko. Sperăm să obțineți cele mai bune rezultate de la produsul dumneavoastră, care a fost fabricat la o calitate înaltă și cu tehnologii performante. Prin urmare, citiți cu atenție și în întregime acest manual de utilizare și toate celelalte documente însoțitoare înainte de a utiliza produsul și păstrați-le pentru consultări ulterioare. Dacă predați produsul către o altă persoană, predați-i și manualul de utilizare. Respectați toate avertismentele și informațiile din manualul de utilizare.

Semnificația simbolurilor

Următoarele simboluri sunt folosite în diferite secțiuni ale acestui manual:



Informații importante sau sugestii utile despre utilizare.



PERICOL: Avertizare privind situațiile periculoase care pun în pericol viața și proprietatea.



AVERTISMENT: Avertisment indică o situație potențial periculoasă.



ATENȚIE: Avertisment indică un pericol potențial de deteriorare a materialului.



Materialele sunt destinate să vină în contact cu produsele alimentare.



Acest produs a fost fabricat într-o unitate performantă și care protejează mediul.

Nu conține PCB.

1 Instrucțiuni importante privind siguranța și mediul

Această secțiune include instrucțiuni privind siguranța care contribuie la protecția împotriva riscurilor de rănire a persoanelor sau de pierderi materiale. Nerespectarea acestor instrucțiuni anulează garanția furnizată.

1.1 Pericol de curentare

Pericol mortal din cauza curentului electric!

Contactul cu firele electrice sau componentele poate duce la răniri grave sau chiar la deces!

Respectați următoarele măsuri de siguranță pentru a evita șocurile electrice:

- Nu utilizați aparatul dacă cablul de alimentare și ștecherul prezintă deteriorări. Contactați service-ul autorizat.
- Nu deschideți carcasa cafetierei. Există pericolul de șoc electric dacă atingeți conexiunile electrice și/sau modificați configurația electrică sau mecanică.

- Înainte de curățarea recipientului pentru boabe, scoateți ștecherul de conectare la rețea din priză. Pericole legate de râșnița de cafea!

1.2. Pericol de arsură sau opărire

Componentele cafetierei se pot încălzi foarte tare în timpul utilizării! Băuturile și aburul eliberat sunt foarte fierbinți!

Respectați următoarele măsuri de siguranță pentru a evita arsurile sau opărirea dvs. sau a altor persoane:

- Nu atingeți niciuna dintre marginile metalice de pe cele două duze de cafea.
- Evitați contactul direct al pielii cu aburul sau cu apa fierbinte de clătire, curățare sau decalcifiere.

1 Instrucțiuni importante privind siguranța și mediul

1.3 Măsurile de siguranță esențiale

Respectați următoarele măsuri de siguranță pentru a asigura manevrarea corectă a cafetierei:

- Nu vă jucați niciodată cu materialul de ambalare. Risc de sufocare. Țineți ambalajele departe de copii.
- Verificați dacă mașina de cafea prezintă semne vizibile de deteriorare înainte de utilizare. Nu utilizați o mașină de cafea defectă. Contactați un service autorizat.
- În cazul în care cablul de alimentare este deteriorat, trebuie înlocuit doar de un agent de service recomandat de către producător pentru a evita orice pericol! Contactați producătorul sau serviciul clienți al acestuia.
- Reparațiile cafetierei trebuie realizate numai de către un specialist autorizat sau de reprezentanții serviciului clienți. Reparațiile necalificate pot genera pericole considerabile pentru utilizator. Acestea vor anula și garanția.
- Reparațiile cafetierei în timpul perioadei de garanție pot fi realizate numai de centre de service autorizate de către producător, altfel garanția va deveni nulă în cazul unor deteriorări ulterioare.
- Componentele defecte pot fi înlocuite numai cu piese de schimb originale. Numai utilizarea de piese de schimb originale garantează respectarea cerințelor privind siguranța.

1 Instrucțiuni importante privind siguranța și mediul

- Acest produs poate fi utilizat de copii începând cu vârsta de 8 ani, precum și de către persoane cu abilități fizice, senzoriale sau mentale reduse sau care nu au experiența și/sau cunoștințele necesare, dacă persoanele respective sunt supravegheate sau au fost instruite despre cum să utilizeze aparatul în siguranță și au înțeles pericolele ce ar putea apărea în momentul utilizării lui. Copiii nu trebuie să se joace cu produsul. Lucrările de curățare și de întreținere nu trebuie să fie efectuate de către copii exceptând cazul în care aceștia au o vârstă mai mare de 8 ani și sunt supravegheați.
- Acest produs este destinat utilizării în scop casnic și cu aplicații similare cum ar fi:
 - bucătării pentru personalul din magazine, birouri sau alte medii de lucru;
 - ferme;
 - de către clienți în hoteluri, moteluri sau alte medii de tip rezidențial;
 - medii de tip pensiune.
- Protejați cafetiera de efectele fenomenelor meteorologice cum ar fi ploaia, înghețul și lumina solară directă. Nu utilizați cafetiera în aer liber.
- Nu introduceți niciodată cafetiera, cablul de alimentare sau ștecherul de alimentare în apă sau în alte lichide.
- Nu curățați cafetiera sau accesoriile ei în mașina de spălat vase.
- Nu turnați niciun alt lichid în afară de apă și nu introduceți alimente în rezervorul pentru apă.
- Nu umpleți rezervorul pentru apă peste marcajul nivelului maxim (marginea de jos a orificiului de umplere).

1 Instrucțiuni importante privind siguranța și mediul

- Utilizați cafetiera doar atunci când recipientul pentru reziduuri, tava de scurgere și grătarul pentru cană sunt montate.
- Nu trageți de cablu pentru a deconecta ștecherul de la priză și nu îl atingeți cu mâinile umede.
- Nu țineți cafetiera de cablul de alimentare.
- Mențineți produsul și cablul său de alimentare departe de copiii sub vârsta de 8 ani.
- Aparatul poate fi utilizat numai pentru prepararea cafelei
- Copiii trebuie să fie supravegheați pentru siguranța că aceștia nu se joacă cu aparatul.
- Scoateți aparatul din priză înainte de a-l curăța sau când nu îl folosiți.
- Așezați aparatul astfel încât ștecherul să fie întotdeauna accesibil.
- Folosiți aparatul întotdeauna pe o suprafață sigură, dreaptă, curată, uscată și antiderapantă.
- Acest aparat nu este o mașină de cafea încorporabilă, deci nu este proiectat pentru a fi încastat în mobilier. Mașina de cafea nu trebuie așezată într-un dulap când este în funcțiune.
- Nu strângeți, nu îndoiți și nu frecăți de muchii ascuțite cablul de alimentare pentru a preveni deteriorarea acestuia. Fericiți cablul de suprafețele fierbinți sau flăcări deschise..
- Tensiunea rețelei electrice de alimentare trebuie să corespundă cu informațiile furnizate pe eticheta aparatului.
- Folosiți aparatul doar cu o priză împământată.
- Nu utilizați aparatul cu un prelungitor.

1 Instrucțiuni importante privind siguranța și mediul

- Dacă aveți mâinile umede, nu atingeți aparatul sau ștechelele acestuia când este conectat la priză.

1.4 Scopul utilizării

Cafetiera complet automată de la Beko a fost concepută pentru utilizarea casnică și aplicații similare, de exemplu în bucătăriile pentru personal, în magazine, birouri și spații similare sau de către clienți în pensiuni, hoteluri, moteluri și alte spații de cazare. Cafetiera nu a fost concepută pentru utilizare în scopuri comerciale. Cafetiera este utilizată numai pentru prepararea cafelei și încălzirea laptelui și a apei. Orice altă utilizare decât cea menționată mai sus este considerată necorespunzătoare.

Utilizarea necorespunzătoare poate genera pericole!

Dacă nu este utilizată pentru scopul propus sau este utilizată în alte moduri, cafetiera poate reprezenta sau deveni o sursă de pericole.

	AVERTISMENT: Așadar, cafetiera poate fi utilizată numai pentru scopul propus.
---	---

	AVERTISMENT: Respectați procedurile descrise în acest manual de utilizare.
--	--

Nu se vor accepta reclamații de niciun fel pentru daunele sau răniile cauzate în urma utilizării cafetierei altfel decât în scopul propus.

Riscul va fi suportat numai de proprietarul cafetierei.

1.5 Limitarea răspunderii

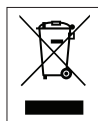
Toate informațiile tehnice, datele și instrucțiunile privind instalarea, utilizarea și întreținerea cafetierei cuprinse în acest manual de utilizare sunt actualizate la data tipării lui și se bazează pe informațiile cele mai bune posibil obținute prin prisma experienței și expertizei.

Nicio reclamație nu poate decurge din informațiile, ilustrațiile și descrierile din prezentul manual de utilizare.

Producătorul nu își asumă nicio răspundere pentru daunele sau răniile rezultate ca urmare a nerespectării manualului de utilizare, a utilizării în alte moduri decât pentru scopul propus, a reparațiilor neprofesioniste, a modificărilor neautorizate sau a utilizării de piese de schimb neaprobat.

1.6 Conformitate cu Directiva WEEE și depozitarea la deșeurile de produsul uzat:

Acest produs respectă Directiva UE WEEE (2012/19/UE). Produsul este marcat cu un simbol de clasificare pentru deșeurile electrice și electronice (WEEE).



Acest simbol indică faptul că produsul nu trebuie eliminat cu alte deșeurile menajere la finalul perioadei de utilizare. Dispozitivele utilizate trebuie returnate la punctul special de reciclare de dispozitive electrice și electronice. Pentru a găsi aceste sisteme de colectare contactați autoritățile locale sau distribuitorul de la care a fost achiziționat produsul. Fiecare gospodărie are un rol important în recuperarea și reciclarea electrocasnicilor vechi. Eliminarea corespunzătoare a electrocasnicilor utilizați ajută la prevenirea posibilelor consecințe negative pentru mediu și sănătatea umană.

1 Instrucțiuni importante privind siguranța și mediul

1.7 Conformitatea cu Directiva RoHS

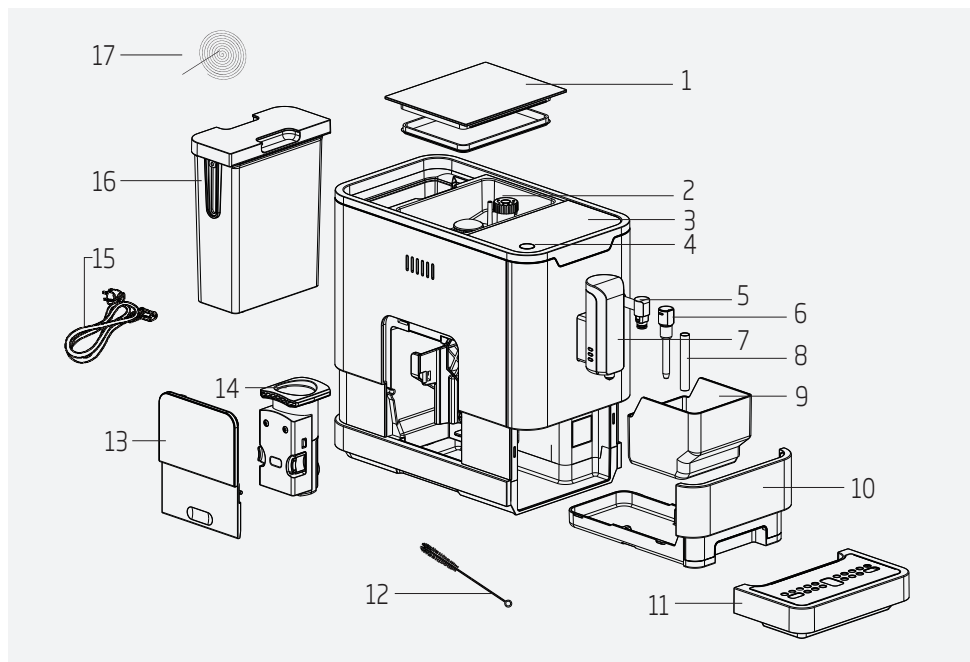
Produsul pe care l-ați achiziționat este conform cu Directiva RoHS UE (2011/65/UE). Acesta nu conține materiale periculoase și interzise, specificate în această Directivă.

1.8 Informații despre ambalaj



Ambalajele produsului sunt fabricate din materiale reciclabile, conform reglementărilor noastre naționale de mediu. Materialele utilizate pentru ambalaj nu trebuie să fie eliminate împreună cu deșeurile menajere sau cu vreun alt tip de deșeurii. Transportați-le la punctele de colectare pentru ambalaje, amenajate de autoritățile locale.

2 Mașina dvs. de cafea complet automată



1. Capac recipient pentru boabe de cafea
2. Recipient pentru boabe de cafea
3. Panou de control
4. Buton On/Off (Pornire/Oprire)
5. Duză de abur
6. Capac duză
7. Gură de scurgere reglabilă pentru cafea
8. Tub de metal
9. Recipient pentru cafea măcinată
10. Tavă de picurare internă
11. Tavă de picurare externă
12. Perie de curățare
13. Ușiță de service
14. Infuzor
15. Cablu de alimentare
16. Rezervor de apă
17. Ac de curățare

Date tehnice

Sursă de alimentare:

220-240 V~, 50-60 Hz












Putere: 1350 W

Dreptul rezervat de a opera modificări tehnice și de design.

Toate valorile declarate de pe produs și de pe pliantele tipărite sunt preluate după măsurătorile de laborator efectuate în conformitate cu standardele conexe. Aceste valori pot varia în funcție de condițiile de utilizare și de mediu.

3 Afișaj

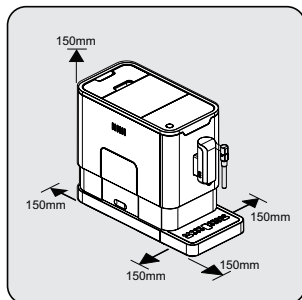
3.1. Panoul de comandă

	Intermitent: Nivel scăzut de apă/Rezervor de apă lipsă
	Nu sunt suficiente boabe de cafea
	Lumină de avertizare constantă: Recipientul pentru cafea măcinată este plin Lumină intermitentă: Lipsește tava de scurgere internă/recipientul pentru cafea măcinată
	Lumină de avertizare constantă: Infuzorul lipsește/este instalat incorect Lumină intermitentă: Ușița de service este deschisă/instalată incorect
	Lumină de avertizare constantă: Necesită detartrare Lumină intermitentă: Detartrarea este în curs
	Funcția de sistem golire este în funcțiune
	Buton ON/OFF (PORNIT/OPRIT)
	Buton pentru abur
	Buton pentru apă fierbinte
	Buton Espresso tare (25-40 ml cafea cu o singură apăsare de buton)
	Buton Espresso mediu (51-69 ml cafea cu o singură apăsare de buton)

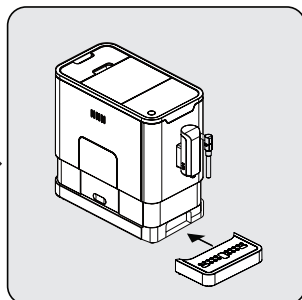
4 Pregătirea

4.1 Instalarea

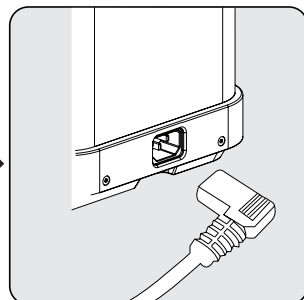
i Îndepărtați orice folie de protecție, autocolante și orice alt material de ambalare de pe aparat.



Alegeți o suprafață sigură și stabilă, cu o sursă de alimentare ușor accesibilă și permiteți o distanță minimă față de părțile laterale ale mașinii de cafea.



Introduceți tava de scurgere externă. Asigurați-vă că este introdusă corect.



Desfășurați și îndreptați cablul de alimentare și introduceți ștecherul în mufa din spatele mașinii de cafea. Introduceți celălalt capăt al cablului de alimentare într-o priză de perete cu tensiune de alimentare adecvată.


4.2 Umplerea rezervorului de apă



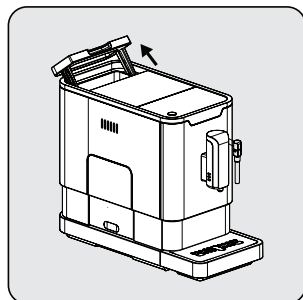
Despre programul de protecție: Dacă rezervorul de apă nu este complet introdus în aparat, în timpul procesului de preparare se va activa un mod de protecție în 15 secunde. Butonul pentru apă caldă se va aprinde pe panoul de control.

1. Asigurați-vă că rezervorul de apă este introdus complet în aparat.
2. Apăsăți butonul pentru apă caldă. După ce se dozează apa fierbinte, aparatul va intra în starea de standby.

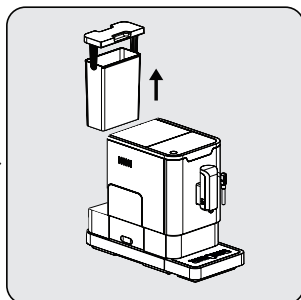


AVERTISMENT: Când  luminează intermitent, rezervorul de apă este la un nivel scăzut de apă și necesită umplere.

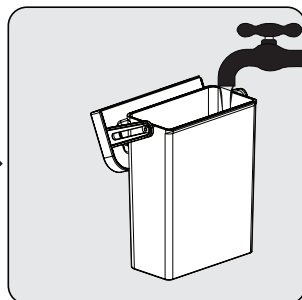
4 Pregătirea



Ridicați rezervorul de apă utilizând capacul ca mâner.



Scoateți rezervorul de apă.



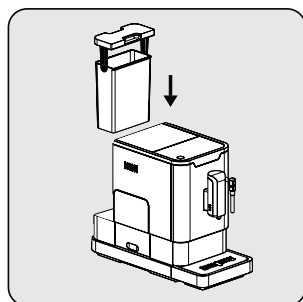
Clătiți rezervorul de apă cu apă curată, apoi umpleți rezervorul până la nivelul maxim și introduceți-l înapoi în mașina de cafea. Asigurați-vă că este introdus complet.



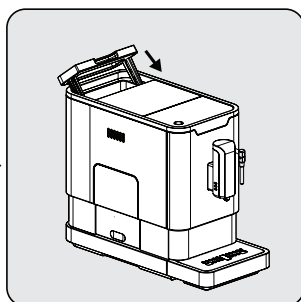
Pentru a preveni revărsarea apei din rezervorul de apă, nu adăugați apă direct în aparat cu un alt recipient.



AVERTISMENT: Nu umpleți niciodată rezervorul de apă cu apă caldă sau fierbinte, cu apă minerală sau orice alt lichid care ar putea deteriora rezervorul de apă și mașina de cafea.



Puneți rezervorul de apă la loc utilizând capacul ca mâner.

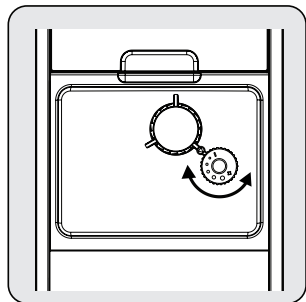


Închideți rezervorul de apă cu capacul.

5 Funcționarea

5.1 Reglarea râșnirii

Puteți regla râșnița pentru a se potrivi cu prăjirea cafelei dvs. prin rotirea butonului de reglare la recipientul pentru boabe:



AVERTISMENT: Nu reglați niciodată râșnița în timpul funcționării acesteia.

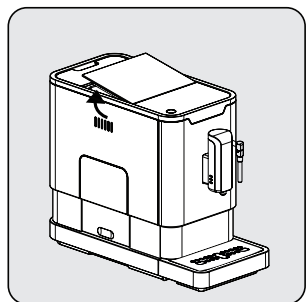


Punctele de pe butonul de reglare indică finețea măcinării.

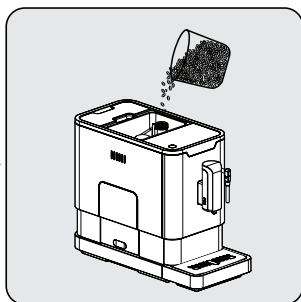
5.2 Umplerea recipientului pentru boabe



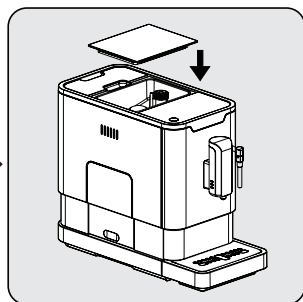
Când  luminează intermitent, aparatul trebuie umplut cu boabe de cafea.



Scoateți capacul recipientului pentru boabe.



Turnați încet boabele de cafea.



Puneți la loc capacul recipientului pentru boabe.

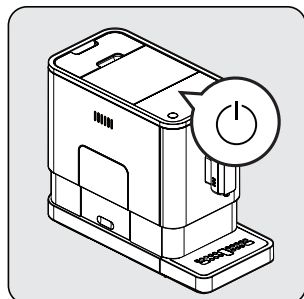


AVERTISMENT: Umpleți recipientul pentru boabe de cafea numai cu boabe de cafea. Cafeaua măcinată, cafeaua instant, cafeaua caramelizată sau orice alte obiecte pot deteriora aparatul.

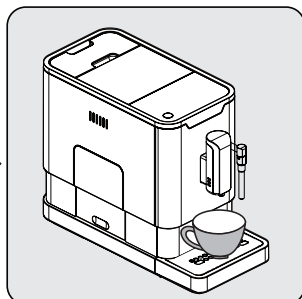
5 Funcționarea

i Apăsați butonul pentru apă fierbinte pentru a curăța interiorul cafetierei înainte de prima utilizare.

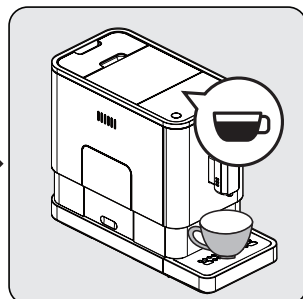
5.3 Prepararea cafelei



Porniți aparatul apăsând butonul On/Off (Pornit/Oprit). Aparatul pornește în modul standby și va fi gata de utilizare când va curge o parte de apă fierbinte prin gura de scurgere pentru cafea.



Așezați o ceașcă sub gura de scurgere pentru cafea și reglați înălțimea gurii de scurgere potrivită pentru ceașcă.



Apăsați butonul pentru espresso și indicatorul luminos se va aprinde indicând faptul că aparatul pregătește o ceașcă de cafea. Când aparatul este din nou în standby, cafeaua este gata de servit.

i Opriți aparatul apăsând butonul On/Off (Pornit/Oprit).

i Apăsați butonul pentru espresso tare sau espresso mediu, în funcție de gustul cafelei pe care o preferați.

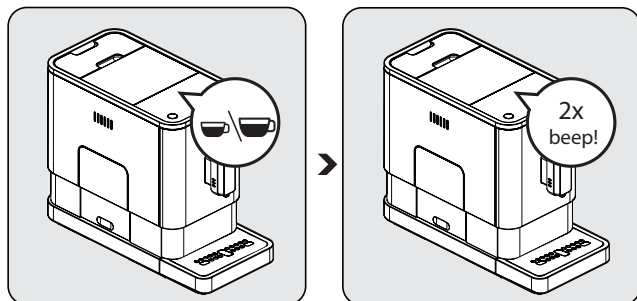
i Apăsați butonul pentru apă fierbinte pentru a curăța interiorul cafetierei înainte de prima utilizare.

i Aparatul este prevăzut cu oprire automată. În funcție de modul selectat, aparatul va dispune de diferite durate de oprire automată.

5 Funcționarea

5.4 Reglarea volumului de cafea/apă fierbinte

Puteți economisi volumul dorit de cafea atât pentru un espresso tare, cât și pentru un espresso mediu și, de asemenea, pentru apă fierbinte de la 25 ml la 250 ml.



Când preparați cafeaua (espresso tare sau espresso mediu) apăsați continuu butonul pe care l-ați selectat. Aparatul va continua să prepare ceașca de cafea în timp ce țineți apăsat butonul.

Când volumul cafelei corespunde volumului dorit, eliberați butonul. Dacă auziți două bipuri, acest lucru indică faptul că aparatul a salvat volumul de cafea pe care îl preferați.

Pentru a resetarea la setările implicite/ din fabrică

Pentru a reveni la valorile implicite ale selecției volumului de cafea și apă fierbinte înregistrate în memoria dispozitivului, este necesară revenirea la setările din fabrică.

1. Când dispozitivul este oprit, îndepărtați recipientele de picurare din interior și exterior.
2. Îndepărtați capacul din spate,
3. Îndepărtați carafa,
4. Așezați capacul din spate,
5. Apăsați tasta on/off (pornit/oprit) pentru 5 secunde (se va auzi un bip de 2 ori)
6. Deschideți capacul din spate,
7. Așezați carafa,
8. Închideți capacul din spate,
9. Așezați tăvița de picurare.

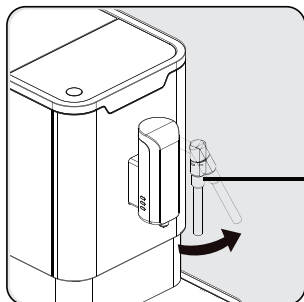
A revenit la setările din fabrică.

5.5 Pregătirea laptelui cu spumă pentru cafea

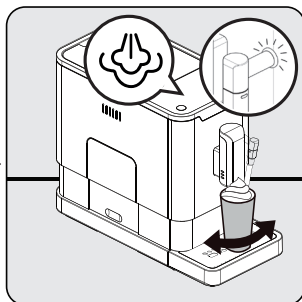


Deoarece temperatura aburului este mai mare decât temperatura espresso-ului, espresso-ul trebuie preparat înainte de a prepara laptele cu spumă. În caz contrar, espresso-ul se poate deteriora.

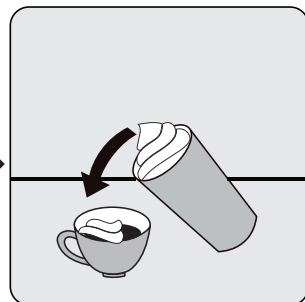
5 Funcționarea



Pregătiți cafeaua espresso cu o ceașcă mai mare. Rotiți duza pentru abur spre tava de scurgere.



Apăsăți butonul pentru abur. Ledul indicator pentru abur va lumina intermitent. Apoi, aparatul se va încălzi și va scurge apa reziduală în tava colectoare sau în alt recipient. După ce ledul indicator pentru abur nu mai luminează intermitent și rămâne aprins, așezați un recipient cu lapte sub duza pentru abur și introduceți duza pentru abur la aproximativ 5 cm adâncime în recipient. Rotiți recipientul în timp ce iese aburul fierbinte.



Turnați laptele cu spumă fierbinte în espresso. Acum vă puteți savura cafeaua!

i După utilizarea duzei pentru abur, curățați duza de reziduurile de lapte ștergând duza cu o cârpă umedă.

i Se recomandă îndepărtarea reziduurilor de lapte care se pot acumula în vârful duzei, prin activarea funcției de apă fierbinte la duză.

5.6 Apa fierbinte

Aparatul poate distribui apă fierbinte prin simpla apăsare a butonului pentru apă fierbinte. Butonul pentru apă fierbinte și indicatorul luminos aprins indică faptul că aparatul încălzește apa. Când butonul pentru apă fierbinte și indicatorul luminos se sting, apa este gata de servit.

5.7 Selectarea modului



Mașina de cafea are trei setări diferite: setarea Default (Implicită), modul ECO și modul Speed (Rapid). În modul ECO, aparatul economisește mai multă energie. În modul Speed (Viteză), utilizatorul poate face cafeaua mai rapid decât în setarea implicită.




5 Funcționarea


	ECO Mode (Mod ECO)	Speed Mode (Mod rapid)	Default Setting (Setare implicită)
Bec indicator	Nu	Da	Da
Pre-infuzare*	Da	Nu	Da
Oprire automată	10 minute	30 de minute	20 de minute
Memorie volum ceașcă	Da	Da	Da



Funcția de pre-infuzare umezește boabele măcinate în infuzor cu o cantitate mică de apă înainte de extragerea completă. Acest lucru expandează cafeaua măcinată care acumulează o presiune mai mare în infuzor, ceea ce ajută la extragerea tuturor uleiurilor și obținerea savorii complete a boabelor.

1. Când mașina de cafea este în standby, țineți apăsat timp  de 5 secunde.
2.  va clipi, iar butonul următor va avea următoarele indicații pentru setări diferite:

	Buton pentru apă fierbinte 	Buton espresso tare 	Buton espresso mediu 
În ECO Mode (Mod ECO)	Lumini aprinse	Intermitent	Intermitent
În Speed Mode (Mod rapid)	Da	Nu	Intermitent
În Default Setting (Setare implicită)	Intermitent	Intermitent	Lumini aprinse

3. Pentru modul ECO apăsați butonul pentru apă fierbinte, pentru modul Speed (Rapid) apăsați butonul pentru espresso tare, iar și pentru setările implicite apăsați butonul pentru espresso mediu. Veți auzi două bipuri când modul a fost selectat. (Notă: Dacă apăsați butonul On (Pornit) pentru fiecare mod, mașina de cafea nu va răspunde).
4. Dacă doriți ca setarea să rămână neschimbată, apăsați  din nou sau așteptați 5 secunde pentru ca mașina de cafea să revină în starea de standby.

6 Curățarea

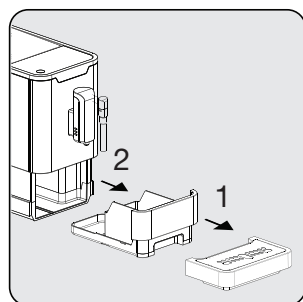
6.1 Curățarea aparatului

1. Deconectați cablul de alimentare.
2. Scurgeți toată apa din tava de scurgere internă și cea externă
3. Utilizați o cârpă umedă sau un curățător care nu zgârie pentru a curăța petele de apă de pe aparat.

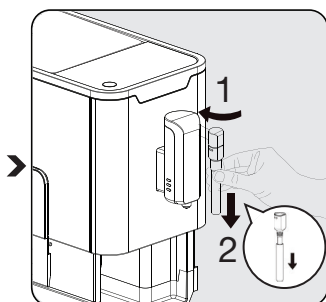


AVERTISMENT: Nu utilizați niciodată agenți abrazivi, oțet sau detartranți care nu sunt incluși în cutie pentru a curăța aparatul.

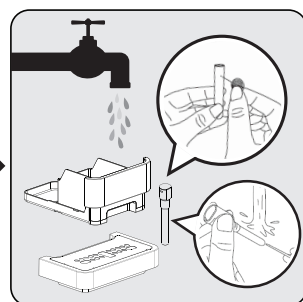
Curățarea și întreținerea regulată a aparatului este foarte importantă pentru prelungirea duratei de viață a acestuia.



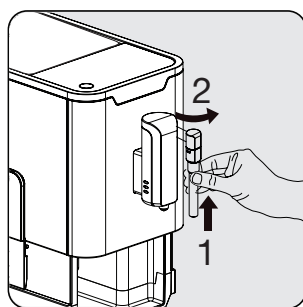
Îndepărtați tava de scurgere externă. Deschideți prin glisare tava de scurgere internă și recipientul pentru cafea măcinată.



Scoateți tubul metalic trăgându-l în jos. Apoi deblocați capul duzei rotind-l spre stânga pentru a dezambla capul duzei și tubul metalic.




Goliți recipientul pentru cafea măcinată și tava de scurgere externă. Spălați tubul metalic cu apă caldă și utilizați acul sau peria pentru a curăța orificiul. Spălați capul duzei cu apă caldă și utilizați acul sau peria pentru a curăța orificiul. Apoi uscați-le.

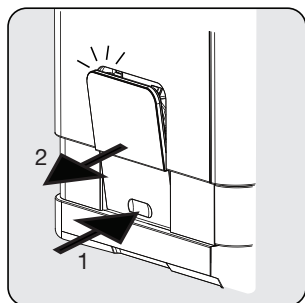


Reasamblați tubul metalic la capul duzei. Apoi împingeți în sus pentru a pune capul duzei la loc. Rotiți-l spre dreapta pentru a-l bloca.

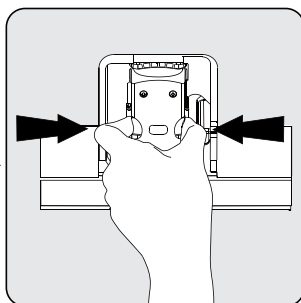


Când se aprinde , recipientul pentru cafea măcinată trebuie golit. Această pictogramă se va aprinde după fiecare 10 infuzări de cafea. Curățați containerul pentru a reseta pictograma. Dacă recipientul este curat, va fi de ajuns să scoateți recipientul și să îl puneți la loc.

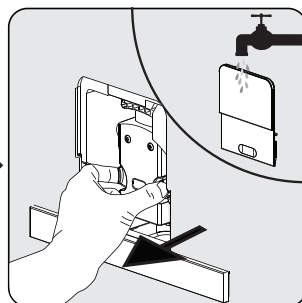
6 Curățarea



Apăsați zona de deblocare, iar ușița de serviciu va ieși. Trageți ușița de service.



Apăsați butoanele de deblocare și trageți afară.



Scoateți infuzorul. Spălați infuzorul cu apă caldă. Apoi uscați infuzorul.




Când  se aprinde, indică faptul că infuzorul lipsește/este instalat incorect. Când  luminează intermitent, indică faptul că ușița de service lipsește/este instalată incorect.

6.2 Auto-curățarea







AVERTISMENT: Așteptați finalizarea procesului de auto-curățare și apoi opriți mașina de cafea.

Când  luminează intermitent, indică faptul că aparatul trebuie să efectueze auto-curățare. Aparatul va fi în cea mai bună stare dacă această funcție este efectuată cel puțin o dată pe lună sau mai regulat, în funcție de duritatea apei utilizate. De asemenea, ar trebui să

1. Umpleți rezervorul de apă.
2. Adăugați în rezervorul de apă un pachet de agent de curățare inclus în cutie.






AVERTISMENT: Nu utilizați oțet sau alți agenți de curățare pentru auto-curățarea acestui aparat. Agentul de curățare poate deteriora aparatul.

3. Băgați aparatul în priză.
4. Așezați un recipient suficient de mare sub gura de scurgere pentru cafea și duză.
5. În standby, apăsați continuu  și butonul pentru espresso tare  timp de 5 secunde. Veți auzi un bip, iar butonul pentru espresso tare  va clipi.
6. Apăsați butonul pentru espresso tare pentru a confirma procesul de auto-curățare. Pentru a reveni la modul standby, apăsați .
7. Dacă luminează intermitent, acest lucru indică faptul că aparatul se auto-curăță.

6 Curățarea








AVERTISMENT: Nu vă expuneți pielea/corpul la apa fierbinte.

8. După ce toată apa din rezervor este gollă,  și butonul de auto-curățare  vor clipi. Îndepărtați toată soluția rămasă în rezervorul de apă și umpleți rezervorul cu apă de la robinet până la nivelul maxim. Când rezervorul este plin,  se va stinge. Apoi, aparatul va continua procesul de auto-curățare.
9. După finalizarea procesului de auto-curățare, aparatul se va opri automat.

6.3 Funcția de sistem gol

Utilizați funcția de sistem gol înainte de o perioadă lungă de neutilizare, pentru protecția împotriva înghețului și înainte de a discuta cu un agent de service.






1. În standby, apăsați continuu  și butonul de espresso mediu  simultan timp de 5 secunde.
2.  va începe apoi să clipească.
3. Scoateți rezervorul de apă din aparat.  se va aprinde indicând faptul că sistemul gol este în curs de desfășurare. Apăsați  înainte de a scoate rezervorul de apă pentru a reveni în modul standby.
4. După finalizarea procesului de funcție de sistem gol, aparatul se va opri automat.



AVERTISMENT: După efectuarea FUNCȚIEI DE SISTEM GOL, apăsați butonul pentru apă fierbinte până când apa poate ieși prin gura de scurgere atunci când cafetiera este reutilizată.

6.4 Spălarea manuală

Puteți spăla manual duza de cafea după utilizare. Dacă aparatul nu a fost utilizat o perioadă lungă de timp, o spălare manuală este indicată.

1. În standby, apăsați continuu  și butonul de apă fierbinte  simultan.
2. Butonul pentru apă fierbinte , butonul pentru espresso tare  și butonul pentru espresso mediu  se vor stinge. Duza de cafea va distribui apoi o cantitate mică de apă care este utilizată pentru spălare.



AVERTISMENT: Apa care iese prin duza pentru cafea este fierbinte și este colectată în tava de scurgere de dedesubt. Evitați contactul, deoarece acesta este împroșcată.

3. După spălare, aparatul va reveni în standby.

6 Curățarea

Anularea modului de curățare automată

Aparatul dvs. se curăță automat înainte și după fiecare operație de preparare. Puteți urma pașii de mai jos pentru a anula modul de curățare automată.

- Porniți aparatul apăsând butonul On-Off (Pornit-Oprit) și așteptați până când se activează poziția Stand-by (Pauză).
- Deschideți capacul de service.
- Apăsați butonul On-Off (Pornit-Oprit) timp de 5 secunde, se va auzi un semnal sonor.
- Închideți capacul de service.
- Acum, operația de curățare automată este anulată.



Vă recomandăm să utilizați în mod activ modul de curățare automată pentru o funcționare optimă.

7 Depanarea

Problema	Cauză	Soluție
Aparatul nu funcționează.	Aparatul nu este conectat la rețeaua de alimentare.	Conectați și apăsați comutatorul. Verificați cablul și conectorul.
La mai multe încercări de apăsare a unei taste funcționale de pe panou, răspunsul se obține târziu sau deloc.	Aparatul se află sub o interferență electromagnetică. Murdărie pe panou.	Scoateți aparatul din priză. Reporniți după câteva minute. Curățați panoul cu cârpa furnizată.
Cafeaua nu este suficient de fierbinte.	Ceștile nu au fost preîncălzite. Unitatea de infuzare este prea rece.	Încălziți ceașca utilizând funcția pentru abur înainte de a prepara cafea sau clățiți ceașca cu apă fierbinte. Asigurați-vă că apa din rezervor nu este prea rece.
Cafeaua nu poate ieși prin gura de scurgere.	Poate a fost utilizată înainte funcția de sistem gol. Este posibil ca gura de scurgere a cafelei să nu fi fost curățată și a fost blocată de reziduuri de cafea.	Apăsați butonul pentru apă fierbinte până când apa poate ieși prin gura de scurgere. Curățați gura de scurgere a cafelei.
Prima ceașcă de cafea este de calitate slabă.	La prima râșnire nu a fost suficientă cantitate de cafea în unitatea de infuzare.	Aruncați cafeaua. Următoarele cești vor fi mai bune.
Rezervorul de apă este scos/nivelul apei este foarte scăzut în rezervorul de apă, dar  nu are nicio alertă.	Zona din apropierea conectorului rezervorului de apă este umedă.	Ștergeți apa din jurul conectorului rezervorului de apă.
Tava de scurgere internă este plină de apă.	Cafeaua măcinată este prea fină, ceea ce blochează ieșirea apei.	Reglați finețea cafelei la mai mare în timpul funcționării râșniței.
Cafeaua curge prea încet sau câte o picătură.	Cafeaua măcinată este prea fină, ceea ce blochează ieșirea apei.	Reglați finețea cafelei la mai mare în timpul funcționării râșniței.
Indicatorul luminează intermitent pentru că nu există suficiente boabe de cafea, însă există o mulțime de boabe în interiorul recipientului.	Orificiul intern de ieșire a cafelei este blocat.	Urmați pașii descriși la Curățarea orificiului de ieșire a cafelei măcinată.
Infuzorul sau tava pentru cafeaua măcinată este imposibil de îndepărtat.	Aparatul nu a finalizat procesul de auto-curățare și a fost oprit.	Porniți din nou mașina de cafea și lăsați-o să finalizeze procesul de auto-curățare.
Aparatul nu mai efectuează ciclul de spălare când este pornit sau oprit.	Cauza poate fi manipularea incorectă în operării aparatului.	1. Cu aparatul pornit, scoateți ușița de service. 2. Apăsați continuu butonul On/Off (Pornit/Oprit) până când auziți 2 bipuri. 3. Înlocuiți ușița de service.
Butoanele tactile nu sunt sensibile.	Nu apăsați butonul tactil din partea frontală a aparatului.	Apăsați partea inferioară a pictogramei butonului tactil din partea frontală a aparatului.



CERTIFICAT DE GARANȚIE

Tensiune de alimentare/frecvență: 220-240V~, 50-60Hz

Importator: ARCTIC S.A., Găești, Dâmbovița, str. 13 Decembrie nr. 210, email: office@arctic.ro

TIP: **Electrocasnice mici de bucătărie** **Cuptor cu microunde**
 Purificatoare de aer

Model / Serie:.....

VÂNZĂTOR

Nr. factură:.....Data:

Vânzător (firma, localitatea):

CUMPĂRĂTOR

NumeLocalitatea

Str.Nr.BlocSc.Et.Ap.

Județ TelefonE-mail

S-a efectuat proba de funcționare a aparatului, s-a prezentat modul de folosire, s-au predat instrucțiunile de utilizare și toate accesoriile. Am primit aparatul în perfectă stare de funcționare.

Stimați clienți,

La cumpărare vă recomandăm să solicitați efectuarea probei de funcționare și să verificați existența instrucțiunilor de utilizare și a accesoriilor.

Pentru a putea beneficia de toate avantajele produselor și serviciilor noastre vă rugăm:

- să citiți cu atenție și să respectați recomandările prezentate în "Instrucțiunile de utilizare".

- să păstrați cu grijă acest certificat pentru a-l putea prezenta (împreună cu documentul fiscal de achiziție), personalului SERVICE, la orice sesizare efectuată în perioada de garanție.

Vă mulțumim că ați optat pentru cumpărarea unui produs Beko!

Durata medie de utilizare a produsului este de 5 ani!

Perioada de garanție legală de conformitate este de 2 ani de la intrarea produsului în posesia consumatorului. Perioada de garanție comercială este de 3 ani de la intrarea produsului în posesia consumatorului și include perioada de garanție legală de conformitate.

Garanția comercială se acordă produselor vândute și care la data solicitării garanției comerciale se află pe teritoriul României.

Art. 22, alin. 3-6, din L449/2003, modificata de OG 9/2016:

- (3) Timpul de nefuncționare din cauza lipsei de conformitate apărute în cadrul termenului de garanție prelungeste termenul de garanție legală de conformitate și cel al garanției comerciale și curge, după caz, din momentul la care a fost adusă la cunoștința vânzătorului lipsa de conformitate a produsului sau din momentul prezentării produsului la vânzător/unitatea service până la aducerea produsului în stare de utilizare normală și, respectiv, al notificării în scris în vederea ridicării produsului sau predării efective a produsului către consumator.

- (4) Produsele de folosință îndelungată care înlocuiesc produsele defecte în cadrul termenului de garanție vor beneficia de un nou termen de garanție care curge de la data preschimbării produsului.

- (5) Produsele de folosință îndelungată defectate în termenul de garanție legală de conformitate, atunci când nu pot fi reparate sau când durata cumulată de nefuncționare din cauza deficiențelor apărute în termenul de garanție legală de conformitate depășește 10% din durata acestui termen, la cererea consumatorului, vor fi înlocuite de vânzător sau acesta va restitui consumatorului contravaloarea produsului respectiv.

- (6) Termenul de garanție curge de la data intrării bunului respectiv în posesia consumatorului, inclusiv pentru bunurile noi de folosință îndelungată, obținute prin tragere la sorți la tombole, câștigate la concursuri și similare sau acordate cu reducere de preț ori gratuit de către operatorii economici.

Garanția oferită de producător nu exclude garanția de viciu ascuns, conform OG 21/1992 (R2) privind protecția consumatorului și Codul Civil.



Service-ul acestui produs este asigurat de ARCTIC S.A. cu sediul în Găești, Dâmbovița, str. 13 Decembrie nr. 210. • *9010 • www.arctic.ro • www.beko.ro • e-mail: service@beko.ro
Program Call Center: Luni - Vineri 08:30 - 20:00; Sâmbătă 08:30 - 17:00

UNITĂȚILE SERVICE ALE ARCTIC S.A. EXECUTĂ REPARAȚII ÎN TERMENUL DE GARANȚIE ȘI ÎN AFARA ACESTUIA

Nr. crt.	Data Reclamației	Data primirii în reparație	Reparat			Reparația curentă și/sau componenta înlocuită	Prelungirea termenului de garanție	Efectuarea verificării	
			Programat	Data ridicării aparatului	Cauza întârzierii			SERVICE	CLIENT

CONDIȚII DE GARANȚIE LEGALĂ DE CONFORMITATE ȘI GARANȚIE COMERCIALĂ:

Pentru orice defecțiune apărută în perioada de garanție sau post garanție, apălați la magazinul de unde a fost achiziționat produsul sau direct la Call Center Arctic.

Prelungirea termenului de garanție se va înscris în certificatul de garanție de către unitatea SERVICE care a efectuat reparația.

Garanția acoperă repararea și/sau înlocuirea pieselor constatate ca defecte (necauzate de consumator) de către tehnicienii Service.

Termenul de realizare a operațiilor de reparare, înlocuire sau întreținere este de 15 zile calendaristice de la data la care cumpărătorul a sesizat defecțiunea la magazinul de unde a achiziționat produsul sau direct la Call Center Arctic.

Reclamațiile referitoare la aspectele prevăzute mai jos, se rezolvă numai contra cost:

- a) nefuncționarea lămpilor de iluminare;
- b) accesoriile care nu au defecte ascunse de material constatate de tehnicienii Service;
- c) piesele și accesoriile care prezintă lovituri, zgârieturi, spărturi sau deformări.

PRODUSUL NU BENEFICIAZĂ DE GARANȚIE LEGALĂ DE CONFORMITATE ȘI DE GARANȚIE COMERCIALĂ ÎN URMĂTOARELE CAZURI:

1. Nu au fost respectate instrucțiunile de transport, manipulare, instalare, utilizare și întreținere prescise.
2. Subansamblurile și accesoriile casabile care se deteriorează în timpul transportului vor fi înlocuite de vânzător (în cazul în care asigură transportul).
3. Garanția nu se acordă subansamblurilor și accesoriilor casabile ale produselor care suferă deteriorări din vina consumatorului.
4. Tensiunea de alimentare are valori care nu se încadrează în limitele prevăzute de standarde (SR EN 50160).
5. Instalația electrică a utilizatorului prezintă improvizații sau neconformități.
6. Produsul a fost folosit în alte scopuri decât cel pentru care a fost proiectat.
7. Produsul a suportat intervenții (reparații, modificări) din partea unor persoane neautorizate de producător.

Drepturile consumatorului sunt cele prevăzute în Legea 449/2003 (republicată) și OG 21/1992 (republicată).

Tento návod si prečítajte ako prvý!

Vážení zákazníci,

Ďakujeme Vám, že ste si zvolili spotrebič Beko. Dúfame, že z vášho produktu, ktorý bol vyrobený pomocou vysoko kvalitnej a najmodernejšej technológie, získate najlepšie výsledky. Z tohto dôvodu si pred použitím zariadenia pozorne prečítajte celú používateľskú príručku a všetky ďalšie sprievodné dokumenty a uschovajte ich ako referenciu pre budúce použitie. Ak produkt odovzdáte niekomu inému, odovzdajte mu tiež návod na použitie. Postupujte podľa všetkých varovaní a informácií uvedených v používateľskej príručke.

Významy symbolov

V rôznych častiach tohto návodu sa používajú nasledovné symboly:



Dôležité informácie alebo užitočné rady o použití.



NEBEZPEČENSTVO: Upozornenie na nebezpečné situácie voči životu a majetku.



VAROVANIE: Varovanie naznačuje potenciálne nebezpečnú situáciu.



VÝSTRAHA: Výstraha naznačuje možné materiálne škody.



Materiály sú určené na styk s potravinami.



Tento produkt bol vyrobený v najmodernejších ekologických a zariadeniach.

Neobsahuje PCB.

1 Dôležité pokyny pre bezpečnosť a životné prostredie

Tento oddiel obsahuje bezpečnostné pokyny, ktoré pomôžu zabezpečiť ochranu pred rizikom zranenia a materiálnych škôd. Nedodržanie týchto pokynov zruší platnosť záruky.

1.1 Nebezpečenstvo súvisiace s elektrickým prúdom

Nebezpečenstvo ohrozenia života elektrickým prúdom!

Dotyk s vodičmi alebo časťami pod napätím môže viesť k vážnemu úrazu alebo dokonca smrti!

Dodržiujte nasledujúce bezpečnostné opatrenia na zabránenie úrazu elektrickým prúdom:

- Nepoužívajte spotrebič, ak je poškodený napájací kábel alebo zástrčka. Kontaktujte autorizovaný servis.

- Neotvárajte opláštenie kávovaru. Nebezpečenstvo úrazu elektrickým prúdom v prípade dotyku s časťami pod napätím a/alebo zmien elektrickej a mechanickej konfigurácie.
- Pred čistením zásobníka na zrnkovú kávu vyťahujte zástrčku prístroja zo zásuvky. Nebezpečenstvo zo strany rotujúceho kávomlynčeka!

1.2 Nebezpečenstvo popálenia alebo obarenia

Počas prevádzky sa môžu určité časti spotrebiča zahriať na vysokú teplotu! Vydané nápoje a unikajúca para sú veľmi horúce!

Dodržiujte nasledujúce bezpečnostné opatrenia na zabránenie popálenia/obarenia seba a/alebo iných osôb:

- Nedotýkajte sa kovových puzdier na oboch výpustoch kávy.

1 Dôležité pokyny pre bezpečnosť a životné prostredie

- Vyhnite sa priamemu kontaktu pokožky s unikajúcou parou alebo horúcou oplachovacou, čistiacou a odvápnovacou vodou.
- Ak je poškodený pripojovací kábel, jeho výmenu smie vykonávať iba zástupca servisu odporúčaného výrobcom, aby sa zabránilo akémukoľvek nebezpečenstvu! Obráťte sa, prosím, na výrobcu alebo jeho zákaznícky servis.

1.3 Základné bezpečnostné opatrenia

Dodržiujte nasledujúce bezpečnostné opatrenia pre zaistenie bezpečnej manipulácie s kávovarom:

- Nikdy sa nehrajte s obalovým materiálom. Nebezpečenstvo udusenia sa! Všetky obalové materiály uchovávajte mimo dosahu detí.
- Pred použitím skontrolujte kávovar, či nemá viditeľné známky poškodenia. Nepoužívajte poškodený kávovar. Kontaktujte autorizovaný servis.
- Opravy kávovaru smie vykonávať len autorizovaný odborník alebo zákaznícky servis. Nekvalifikované opravy môžu viesť k vzniku značného nebezpečenstva pre užívateľa. Spôsobí tiež stratu záruky.
- Opravy kávovaru počas záručnej lehoty smú vykonávať len servisné centrá autorizované výrobcom, inak dôjde k zániku záruky v prípade následného poškodenia.
- Chybné diely je možné vymeniť len za originálne náhradné diely. Iba originálne náhradné diely zaručujú, že sú splnené požiadavky na bezpečnosť.

1 Dôležité pokyny pre bezpečnosť a životné prostredie

- Tento spotrebič môžu používať deti staršie ako 8 rokov a osoby s obmedzenými telesnými, zmyslovými alebo mentálnymi schopnosťami alebo osoby bez príslušných znalostí a skúseností, ak sú pod dozorom alebo boli poučené o bezpečnom používaní tohto prístroja a chápu nebezpečenstvá, ktoré môžu vzniknúť pri jeho používaní. Deti sa nesmú so spotrebičom hrať. Čistenie a používateľskú údržbu nesmú vykonávať deti, pokiaľ nie sú staršie ako 8 rokov a sú pod dohľadom.
- Tento spotrebič je určený len na použitie v domácnosti a podobných prostrediach, ako sú napríklad kuchynky:
 - pre zamestnancov v obchodoch, kanceláriách a iných pracovných prostrediach,
 - na farmách,
 - klientov v hoteloch, motelloch a ďalších obytných prostrediach,
- v prostredí ubytovania typu Bed and Breakfast.
- Chráňte kávovar pred vplyvmi počasia, ako je dážď, mráz a priame slnečné žiarenie. Nepoužívajte kávovar vo vonkajšom prostredí.
- Nikdy neponárajte kávovar, sieťový kábel alebo zástrčku do vody alebo iných kvapalín.
- Neumývajte kávovar ani jeho príslušenstvo v umývačke riadu.
- Nelejte žiadne iné tekutiny okrem vody ani nekladajte potraviny do nádržky na vodu.
- Neplňte nádržku na vodu nad značku maximálnej hladiny (spodná hrana plniaceho otvoru).
- Prístroj používajte iba vtedy, ak je vložená odpadová nádoba, odkvapkávacia miska a mriežka na šálky.

1 Dôležité pokyny pre bezpečnosť a životné prostredie

- Neťahajte za kábel pre vyťahnutie zástrčky zo zásuvky a nedotýkajte sa ho mokrými rukami.
- Nedržte kávovar za sieťový kábel.
- Udržujte spotrebič a jeho kábel mimo dosahu detí mladších ako 8 rokov.
- Spotrebič je možné používať iba na prípravu kávy.
- Deti by mali byť pod dozorom, aby sa nehrali s týmto spotrebičom.
- Spotrebič pred každým čistením a v období nepoužívania odpojte.
- Spotrebič umiestnite spôsobom, aby bola zásuvka vždy prístupná.
- Spotrebič vždy používajte na stabilnom, rovnom, čistom, suchom a nekĺzavom povrchu.
- Spotrebič nie je zabudovaným kávovarom a nie je určený na použitie v skrinke. Kávovar nesmie byť pri používaní umiestnený v skrinke.
- Napájací kábel nestláčajte ani neohýbajte a nešúchajte ním o ostré hrany, aby ste predišli jeho poškodeniu. Napájací kábel uchovávajte mimo dosahu horúcich povrchov a otvoreného ohňa.
- Sieťové napätie musí zodpovedať údajom uvedeným na typovom štítku spotrebiča.
- Spotrebič používajte výlučne v uzemnenej zásuvke.
- Nepoužívajte spotrebič s predlžovacím káblom.
- Keď je spotrebič zapojený do zásuvky, nedotýkajte sa ho mokrými alebo vlhkými rukami.

1 Dôležité pokyny pre bezpečnosť a životné prostredie

1.4 Zamýšľané použitie

Plne automatický kávovar Beko je určený na použitie v domácnostiach a podobných prostrediach, napríklad v kuchynkách pre zamestnancov, obchodoch, kanceláriách a podobných oblastiach alebo zákazníkmi v ubytovaní typu bed & breakfast, hoteloch, motelloch a iných typoch ubytovania. Tento kávovar nie je určený na komerčné použitie. Stroj je určený iba na prípravu kávy a ohrievanie mlieka a vody. Akékoľvek iné použitie, než je uvedené predtým, je považované za nesprávne použitie.

Riziká vyplývajúce z nesprávneho použitia!

Ak nie je použitý na určený účel alebo ak sa používa akýmkoľvek iným spôsobom, kávovar môže byť alebo sa môže stať zdrojom nebezpečenstva.



VAROVANIE: Preto kávovar môže byť použitý na plánovaný účel.



VAROVANIE: Dodržujte postupy opísané v tomto návode na použitie.

Žiadne nároky akéhokoľvek druhu nebudú prijaté za škody alebo zranenia vyplývajúce z použitia kávovaru na iný ako určený účel.

Riziko musí niesť iba majiteľ prístroja.

1.5 Obmedzenie zodpovednosti

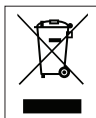
Všetky technické informácie, údaje a pokyny na inštaláciu, obsluhu a údržbu kávovaru uvedené v tomto návode na použitie predstavujú aktuálny stav v čase tlače a sú založené na najlepších možných znalostiach získaných skúsenosťou a know-how.

Žiadne nároky nie je možné získať na základe informácií, ilustrácií a popisov v tomto návode na použitie.

Výrobca neprijíma žiadnu zodpovednosť za škody alebo zranenia vzniknuté nedodržaním návodu na použitie, použitím na iný ako určený účel, neodbornými opravami, nepovolenými úpravami alebo použitím nepovolených náhradných dielov.

1.6 V súlade so smernicou o odpadoch z elektrických a elektronických zariadení a zneškodňovaní odpadov:

Tento produkt je v súlade so smernicou o odpadoch z elektrických a elektronických zariadení EÚ (2012/19/EÚ). Tento produkt obsahuje symbol triedeného odpadu pre odpadové elektrické a elektronické vybavenie (WEEE).



Tento produkt bol vyrobený z vysoko kvalitných častí a materiálov, ktoré môžu byť znovu použité a sú vhodné na recykláciu. Na konci životnosti odpad z produktu neodstraňujte s bežným

odpadom z domácnosti ani s iným odpadom. Recyklujte ho v zbernom mieste určenom na recykláciu elektrického a elektronického vybavenia. Pre zistenie informácií o zberných miestach kontaktujte miestne úrady.

1.7 Dodržiavanie smernice RoHS

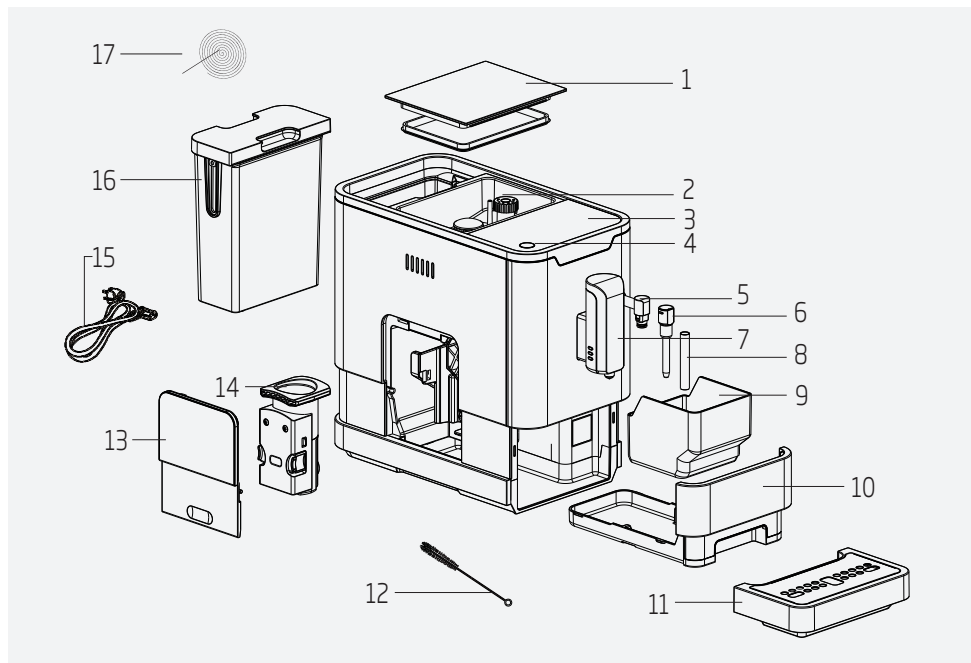
Produkt, ktorý ste zakúpili spĺňa smernicu EÚ RoHS (2011/65/EU). Neobsahuje škodlivé ani zakázané materiály špecifikované v smernici.

1.8 Informácie o balení



Baliace materiály produktu sa vyrobili z recyklovateľných materiálov v súlade s našimi národnými nariadeniami na ochranu životného prostredia. Baliaci materiál nelikvidujte spolu s komunálnym alebo iným odpadom. Žoberte ho na zberné miesto baliaceho materiálu, ktoré vytvorili miestne úrady.

2 Váš plne automatický kávovar



1. Obal nádoby na kávové zrná
2. Nádoba na kávové zrná
3. Kontrolný panel
4. Tlačidlo Zapnutia/Vypnutia
5. Parná tryska
6. Kryt trysky
7. Nastaviteľný výtok kávy
8. Kovová trubica
9. Nádoba na kávu
10. Vnútorňá odkvapkávacia vanička
11. Externá odkvapkávacia vanička
12. Čistiaca kefa
13. Servisné dvere
14. Varná jednotka
15. Napájací kábel
16. Nádrž na vodu
17. Ihla na čistenie

Technické údaje

Napájanie:

220-240 V~, 50-60 Hz











Napájanie: 1350 W

Právo na technické zmeny a na zmeny dizajnu sú vyhradené.

Všetky deklarované hodnoty na produkte a na vytlačených letádoch sú zachytávané po laboratórnych meraniach vykonaných podľa súvisiacich noriem. Tieto hodnoty sa môžu líšiť v závislosti od použitia a od okolitých podmienok.

3 Displej

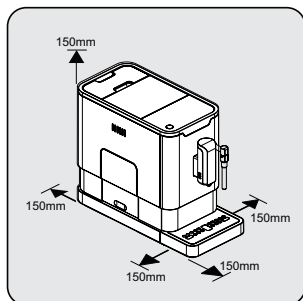
3.1 Ovládací panel

	Bliká: Nízka hladina vody / Chýba vodná nádrž
	Nedostatok kávových zŕn
	Stále kontrolné svetlo: Nádobu na kávové usadeniny je plná Blikajúce svetlo: Chýba vnútorný zásobník na odkvapkavanie / kávové usadeniny
	Stále kontrolné svetlo: Varná jednotka chýba / je nesprávne nainštalovaný Blikajúce svetlo: Servísne dvere sú nesprávne otvorené / namontované
	Stále kontrolné svetlo: Je potrebné odvápnenie Blikajúce svetlo: Prebieha odstraňovanie vodného kameňa
	Beží funkcia prázdneho systému
	Tlačidlo ZAP/VYP napájania
	Tlačidlo pary
	Tlačidlo horúcej vody
	Tlačidlo na silné espresso (25 - 40 ml kávy s jedným stlačením tlačidla)
	Tlačidlo na jemné espresso (51 - 69 ml kávy jedným stlačením tlačidla)

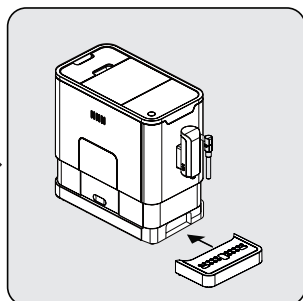
4 Príprava

4.1- Inštalácia

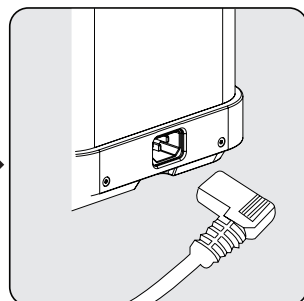
i Odstráňte z prístroja všetky ochranné fólie, nálepky a akýkoľvek iný obalový materiál.



Vyberte si bezpečný a stabilný povrch s ľahko dostupným zdrojom energie a umožnite minimálnu vzdialenosť od strán strojov.



Vložte externý odkvapkavací plech. Uistite sa, že je vložený správne.



Rozviňte a vyrovnajte napájací kábel a zapojte zástrčku do zásuvky umiestnenej na zadnej strane zariadenia. Druhý koniec napájacieho kábla zasuňte do sieťovej zásuvky s vhodným napájacím napätím.

4.2 Plnenie nádrže dávkovača vody

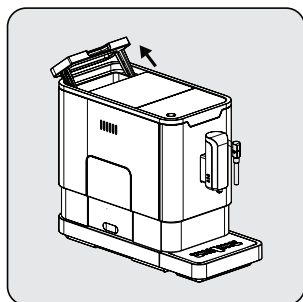


O programe ochrany: Ak nádrž na vodu nie je úplne vložená do prístroja, počas procesu varenia sa aktivuje ochranný režim za 15 sekúnd. Na ovládacom paneli sa rozsvieti tlačidlo horúcej vody.

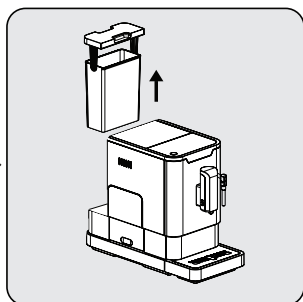
1. Uistite sa, že je nádržka na vodu úplne zasunutá do stroja.
2. Stlačte tlačidlo horúcej vody. Po vypustení horúcej vody bude stroj v pohotovostnom stave.



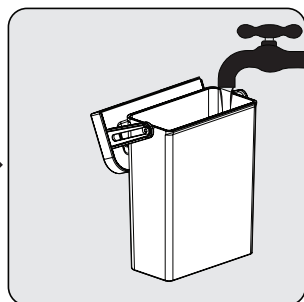
VAROVANIE: Keď bliká , v nádrži na vodu je málo vody a vyžaduje si naplnenie.



Zdvihnite nádrž na vodu pomocou veka s rukoväťou.



Vyberte zásobník na vodu.



Opláchnite nádržku na vodu čerstvou vodou, potom ju naplňte na úroveň Max a vložte ju späť do zariadenia. Skontrolujte, či je úplne zasunutá.

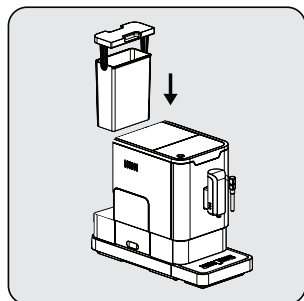
4 Príprava



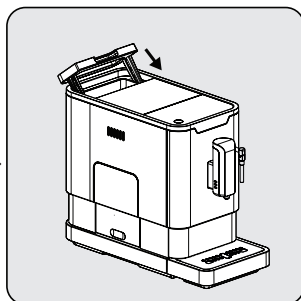
Pre zabránenie pretečeniu vody z nádrže na vodu, nepridávajte vodu priamo do zariadenia pomocou inej nádoby.



VAROVANIE: Nikdy nenapĺňajte nádrž na vodu teplou alebo horúcou vodou, perlívous vodou alebo inou tekutinou, ktorá by mohla poškodiť nádrž na vodu a stroj.



Nádobu na vodu vložte späť pomocou eka s rukoväťou.

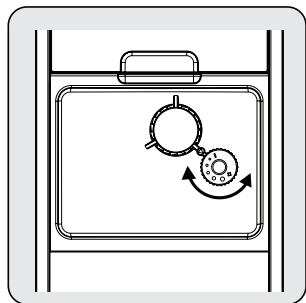


Nádobu na vodu zatvorte pomocou veka.

5 Prevádzka

5.1 Nastavenie mletia

Otáčaním nastavovacieho gombíka na nádobe na zrná môžete nastaviť mlynček tak, aby vyhovoval vašej praženej káve:



VAROVANIE: Nikdy nenastavujte mlynček, keď je v prevádzke.

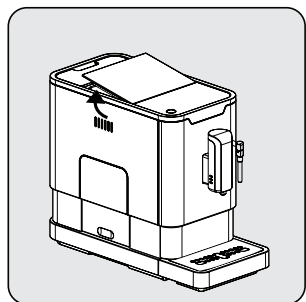


Bodky na nastavovacom gombíku označujú jemnosť mletia.

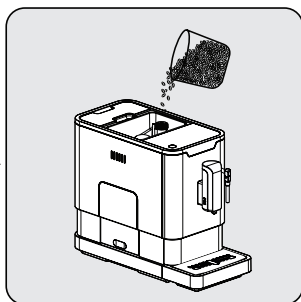
5.2 Napĺňanie nádoby na zrnkovú kávu



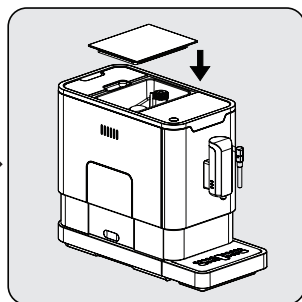
Keď  bliká, je potrebné spotrebič naplniť zrnkovou kávou.



Odstráňte veko nádoby na zrnkovú kávu.



Pomaly nasypete zrnkovú kávu.



Nasadte späť veko nádoby.

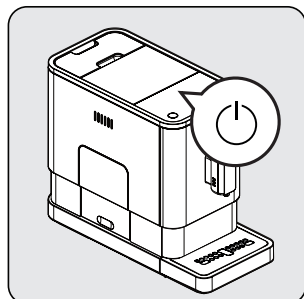


VAROVANIE: Nádobu na zrnkovú kávu plňte iba kávovými zrnami. Mletá káva, instantná káva, karamelizovaná káva alebo akékoľvek iné predmety môžu stroj poškodiť.

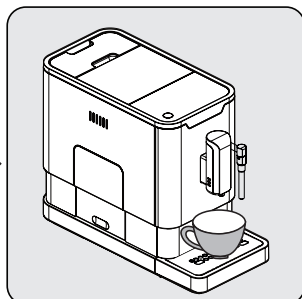
5 Prevádzka

i Pred prvým použitím stlačte tlačidlo horúcej vody, aby ste vyčistili vnútro kávovaru.

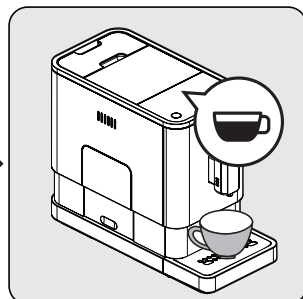
5.3 Príprava vašej kávy



Spotrebič zapnite stlačením tlačidla zapnutia/vypnutia. Spotrebič sa zapne v pohotovostnom režime a bude pripravený na použitie vytekaním horúcej vody z výpustu kávy.



Dajte šálku pod výlevku kávy a upravte výšku výlevky tak, aby vošla do šálky.



Stlačte tlačidlo espresso a rozsvietí sa kontrolka, pričom kontrolky osvetlenia naznačujú, že prístroj pripravuje šálku kávy. Keď sa zariadenie vráti do pohotovostného stavu, káva je pripravená na servírovanie.

i Spotrebič vypnite stlačením tlačidla zapnutia/vypnutia.

i Podľa toho, akú chuť kávy uprednostňujete, stlačte silné alebo mierne espresso.

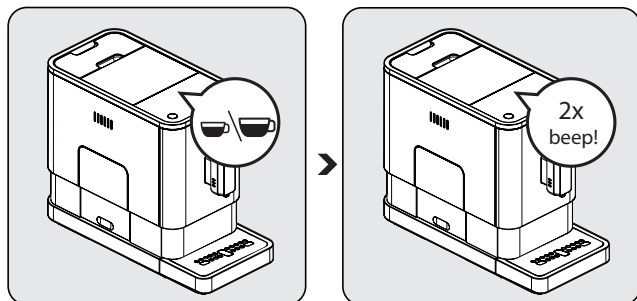
i Pred prvým použitím stlačte tlačidlo horúcej vody, aby ste vyčistili vnútro kávovaru.

i Zariadenie je vybavené automatickým vypínaním. V závislosti od zvoleného režimu bude mať spotrebič rôzne časovanie automatického vypnutia.

5 Prevádzka

5.4 Úprava objemu vašej kávy / horúcej vody

Môžete uložiť požadovaný objem kávy pre silné espresso aj mierne espresso a tiež teplú vodu od 25 ml do 250 ml.



Keď pripravujete kávu (silné espresso alebo jemné espresso), stlačte a podržte tlačidlo, ktoré ste vybrali. Zatiaľ čo držíte tlačidlo, zariadenie bude naďalej pripravovať šálku kávy.

Keď objem kávy dosiahne požadovaný objem, tlačidlo uvoľníte. Ak počujete dve pípnutia, znamená to, že prístroj uložil vami preferované množstvo kávy.

Obnovenie predvolených/továrenských nastavení;

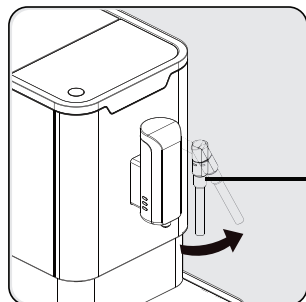
Ak chcete obnoviť predvolené nastavenia voľby objemu kávy a horúcej vody zaznamenané v pamäti, je potrebné obnoviť výrobné nastavenia.

1. Keď je zariadenie vypnuté, vyberte vnútornú a vonkajšiu odkvapkávaciu misku,
 2. Odstráňte servisný kryt,
 3. Vyberte karafu,
 4. Nasad'ite servisný kryt,
 5. Stlačte tlačidlo zapnutia a vypnutia na 5 sekúnd (2 krát pípnutie)
 6. Otvorte servisný kryt,
 7. Vložte karafu,
 8. Zatvorte servisný kryt,
 9. Umiestnite odkvapkávaciu misku.
- Boli obnovené továrenské nastavenia.

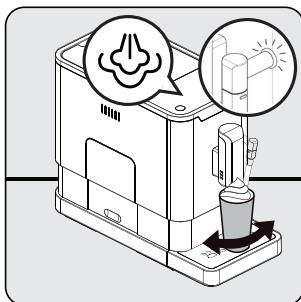
5 Prevádzka

5.5 Príprava speneného mlieka na kávu

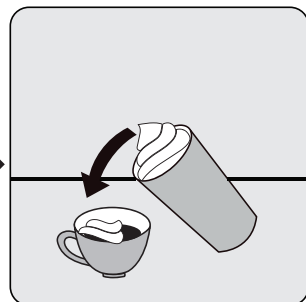
i Pretože je teplota pary vyššia ako teplota espressa, malo by sa espresso pripraviť pred výrobou penivého mlieka. Inak by sa mohlo espresso spáliť.



Kávu na espresso pripravte do väčšej šálky. Otočte parnú trysku smerom k odkvapkávacej miske.



Stlačte tlačidlo pary. Kontrolka pary bude blikať. Potom sa prístroj zahreje a vypustí zvyškovú vodu do odkvapkávača alebo do inej nádoby. Keď kontrolka pary prestane blikať a bude stále svietiť, postavte pod parnú trysku nádobu s mliekom a ponorte parnú trysku asi 5 cm hlboko do nádoby. Otočte nádobu, kým z nej bude vychádzať horúca para.



Nalejte horúce penivé mlieko do espressa. Teraz si môžete vychutnať svoju kávu!

i Po použití parnej trysky očistite trysku od zvyškov mlieka tak, že trysku zotriete vlhkou handrou.

i Zvyšky mlieka, ktoré sa môžu hromadiť na konci dýzy, sa odporúča odstrániť aktiváciou funkcie horúcej vody z dýzy.

5.6 Horúca voda

Zariadenie môže vydávať horúcu vodu jednoduchým stlačením tlačidla horúcej vody. Tlačidlo horúcej vody a osvetlenie sa rozsvietia, čo znamená, že zariadenie ohrieva vodu. Keď sa tlačidlo horúcej vody a osvetlenie vypnú, voda je pripravená na podávanie.

5.7 Výber režimu


Stroj má tri rôzne nastavenia: predvolené nastavenie, režim ECO režim a rýchly režim. V režime ECO prístroj šetrí viac energie. V rýchly režime môže užívateľ kávu zrýchliť ako je nastavené v predvolenom nastavení.




5 Prevádzka


	Režim ECO	Rýchly režim	Štandardné nastavenie
Svetlo	Nie	Áno	Áno
Predvarenie*	Áno	Nie	Áno
Čas automatického vypnutia	10 min	30 min	20 min
Pamäť objemu pohára	Áno	Áno	Áno



Funkcia Predvarenia zvlhčuje mleté zrná vo varnej jednotke malým množstvom vody pred úplným vypustením. To rozširuje mletú kávu, aby vo varnej jednotke vytvorila väčší tlak, ktorý pomáha extrahovať všetky oleje a dosiahnuť plnú chuť zo zrn.

1. Keď je zariadenie v pohotovostnom stave, stlačte a podržte  na 5 sekúnd.
2. Potom bude blikať ikona  a ďalšie tlačidlo bude mať nasledujúce indikácie pre rôzne nastavenia:

	Tlačidlo horúcej vody 	Tlačidlo pre silné espresso 	Tlačidlo pre jemné espresso 
Režim ECO	Svetlo zapnuté	Bliká	Bliká
V rýchlom režime	Áno	Nie	Bliká
V predvolenom nastavení	Bliká	Bliká	Svetlo zapnuté

3. Stlačte tlačidlo horúcej vody pre režim ECO, tlačidlo silného espressa pre režim rýchlosti a tlačidlo jemného espressa pre predvolené nastavenia. Po voľbe režimu budete počuť dve pípnutia. (Poznámka: Ak stlačíte tlačidlo svetiel pre každý režim, stroj neposkytne odozvu).
4. Ak si prajete ponechať nastavenie nezmenené, stlačte  znova alebo počkajte 5 sekúnd, kým sa zariadenie vráti do pohotovostného stavu

6 Čistenie

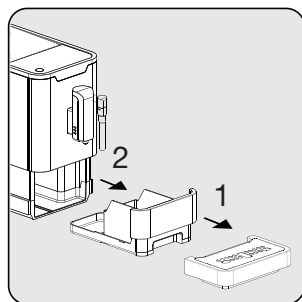
6.1 Čistenie spotrebiča

1. Odpojte napájací kábel z elektrickej zásuvky.
2. Vylejte všetku vodu z vnútornej a vonkajšej odkvapkávacej misky.
3. Na čistenie škvŕn na prístroji použite vlhkú handričku alebo čistiaci prostriedok, ktorý neškrabe.

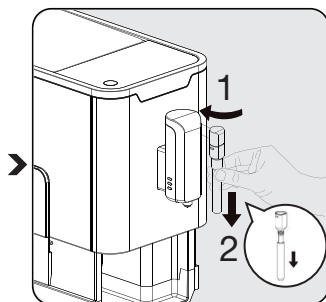


VAROVANIE: Na čistenie zariadenia nikdy nepoužívajte abrazívne, ocotové alebo odvápnovacie prostriedky, ktoré nie sú súčasťou balenia.

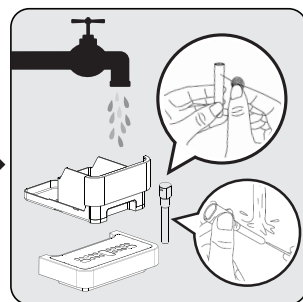
Včasná čistenie a údržba spotrebiča sú veľmi dôležité pri predĺžení jeho životnosti.



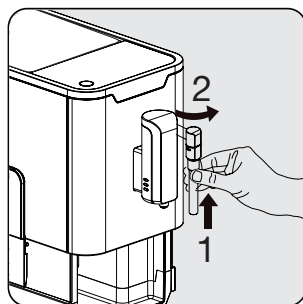
Vyberte externý odkvapkávací plech. Odtiahnutím otvorte vnútorný odkvapkávací plech a nádobu na kávové usadeniny.



Kovovú rúrku vyberte potiahnutím nadol. Potom odomknite kryt trysky otočením doľava, aby ste rozobrali kryt trysky a kovovú trubicu.




Vyprázdňte nádobu na kávové usadeniny a externý odkvapkávač. Kovovú trubicu umyte teplou tečúcou vodou a pomocou ihly alebo štetiny vyčistite otvor. Umyte kryt trysky teplou tečúcou vodou a pomocou ihly alebo štetiny vyčistite otvor. Potom ho osušte.

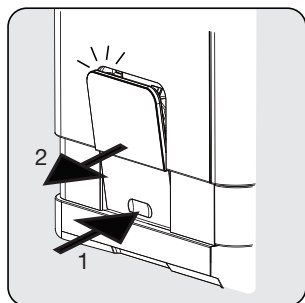


Znovu namontujte kovovú rúrku na kryt trysky. Potom zatlačte nahor a nasadte kryt trysky späť. Pre upevnenie ho otočte doprava.

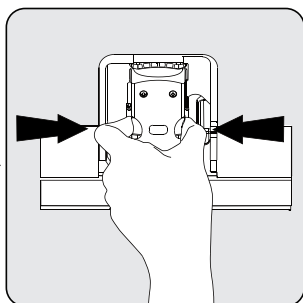


Keď sa rozsvieti , je potrebné vyprázdniť zásobník na kávové usadeniny. Táto ikona sa rozsvieti po každých 10 vareníach kávy. Vyčistením nádoby resetujete ikonu. Ak je nádoba čistá, nádobu stačí vybrať a vrátiť späť na miesto.

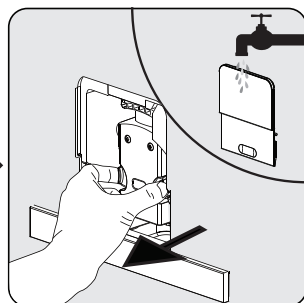
6 Čistenie



Stlačte oblasť odomknutia, vysunú sa servisné dvere. Potom vyťahnite servisné dvere.





Stlačte uvoľňovacie gombíky a vyťahnite ich.



Vyberte varnú jednotku. Varnú jednotku umyte čerstvou vodou. Potom varnú jednotku vysušte.




Keď sa rozsvieti kontrolka , znamená to, že varná jednotka chýba / je nesprávne nainštalovaná. Ak bliká , znamená to, že servisné dveria chýbajú / sú nesprávne nainštalované.

6.2 Samočistenie






VAROVANIE: Počkajte prosím na dokončenie procesu samočistenia a potom vypnite stroj.

Keď bliká , znamená to, že spotrebič sa musí samo vyčistiť. Spotrebič zostane v najlepšom stave, ak sa táto funkcia vykonáva najmenej raz mesačne alebo pravidelnejšie v závislosti od tvrdosti použitej vody. Mali by ste tiež

1. Naplňte nádržku na vodu úplne.
2. Do nádrže na vodu pridajte jedno balenie čistiaceho prostriedku, ktoré je súčasťou balenia.



VAROVANIE: Na samočistenie tohto zariadenia nepoužívajte ocot ani iný čistiaci prostriedok. Čistiaci prostriedok môže zariadenie poškodiť.

3. Pripojte spotrebič.
4. Pod výtok na kávu a trysku vložte dostatočný veľkú nádobu.
5. V pohotovostnom režime stlačte a podržte tlačidlo  a tlačidlo silného espressa  na 5 sekúnd. Budete počuť pípnutie a tlačidlo silného espressa  bude blikáť.

6 Čistenie

6. Stlačením tlačidla silného espressa potvrdíte proces samočistenia. Ak sa chcete vráti do pohotovostného stavu, stlačte tlačidlo ☺.
7. Keď bliká, znamená, že spotrebič musí vykonať proces samočistenia.



VAROVANIE: Chráňte pokožku / svoje telo od horúcej vody.

8. Keď je všetka voda vo vodnej nádrži vyprázdnená, ☹ a tlačidlo samočistenia ☺ budú blikáť. Vyberte všetok zvyšný roztok z nádrže na vodu a naplňte nádrž normálnou vodou z vodovodu, kým sa nedosiahne maximálna výška. Keď je nádrž plná, ☹ zhasne. Potom bude spotrebič pokračovať v samočistiacom procese.
9. Po dokončení procesu samočistenia sa spotrebič automaticky vypne.

6.3 Funkcia vyprázdnenia systému

Funkciu vyprázdnenia systému používajte pred dlhodobým nepoužívaním, ochranu pred mrazom a pred kontaktovaním opravára.

1. V pohotovostnom stave stlačte a podržte stlačené tlačidlo ☺ a tlačidlo pre jemné espresso ☹ na 5 sekúnd.
2. ☹ začne blikáť.
3. Vyberte nádrž na vodu zo zariadenia. ☹ naznačuje, že prebieha vyprázdňovanie systému. Pred vybratím nádrže na vodu stlačte ☺, aby ste sa vrátili späť do pohotovostného režimu.
4. Po dokončení funkcie vyprázdnenia systému sa spotrebič automaticky vypne.



VAROVANIE: Po vykonaní FUNKCIE VYPRÁZDNENIA SYSTÉMU; pri opätovnom použití kávovaru stlačte tlačidlo horúcej vody, až kým z kávovaru nevyteká voda.

6.4. Manuálne prepláchnutie

Po použití môžete trysku na kávu prepláchnuť ručne. Ak ste spotrebič dlhší čas nepoužívali, môže byť dobrý nápad prepláchnuť ho ručne.

1. V pohotovostnom stave stlačte a podržte súčasne tlačidlo ☺ a tlačidlo ☹ tlačidla horúcej vody.
2. Tlačidlo horúcej vody ☹, tlačidlo silného espressa ☹ a tlačidlo jemného espressa ☹ sa následne vypnú. Kávová tryska potom vydá malé množstvo vody, ktorá sa použije na prepláchnutie.



VAROVANIE: Voda vychádzajúca z kávovej trysky je horúca a zhromažďí sa v odkvapkávacej miske pod ňou. Zabráňte kontaktu, nakoľko špliecha okolo.

3. Po opláchnutí sa spotrebič vráti do pohotovostného stavu.

6 Čistenie

Ruší sa režim automatického čistenia

Váš prístroj sa automaticky čistí pred a po každom varení. Podľa pokynov uvedených nižšie môžete režim automatického čistenia zrušiť.

- Zapnite prístroj stlačením vypínača a počkajte, kým sa nezapne do pohotovostnej polohy.
- Otvorte servisný kryt.
- Stlačte vypínač na 5 sekúnd, zaznie pípnutie.
- Zatvorte servisný kryt.
- Teraz je operácia automatického čistenia zrušená.



Pre zaistenie zdravej prevádzky vám odporúčame aktívne používať režim automatického čistenia.

7 Riešenie problémov

Problém	Príčina	Riešenie
Spotrebič nefunguje.	Spotrebič nie je pripojený do siete.	Zapojte ho a stlačte spínač. Skontrolujte kábel a zástrčku
Pri niekoľkých pokusoch o stlačenie funkčného tlačidla na paneli nie je žiadna alebo je oneskorená odpoveď	Spotrebič je pod elektromagnetickým rušením. Nečistoty na paneli.	Odpojte spotrebič od elektrického napätia. Po niekoľkých minútach reštartujte. Panel očistite priloženou handričkou.
Káva nie je dost horúca.	Poháre neboli predhriate. Varná jednotka je príliš studená.	Pred prípravou kávy alebo pred opláchnutím šálky horúcou vodou zahrejte svoju šálku pomocou funkcie pary. Uistite sa, že voda v nádrži na vodu nie je príliš studená.
Káva nemôže vychádzať z výlevky.	Možno predtým bola použitá funkcia vyprázdňovania systému. Výpusť kávy nemusel byť vyčistený a je zablokovaný zvyškami kávy.	Stlačajte tlačidlo horúcej vody, kým z výpustu nevystrekne voda. Vyčistite výpusť kávy.
Prvá šálka kávy je nízkej kvality.	Prvé spustenie mlynčeka nemamie dostatočné množstvo prášku kávy do varnej jednotku.	Vyprázdňte kávu. Ďalšie šálky budú lepšie.
Nádrž na vodu je odstránená / hladina vody v nádrži na vodu je veľmi nízka, ale  nie je žiadne varovanie.	Oblasť v blízkosti pripojenia nádrže na vodu je mokrá.	Utrite vodu okolo pripojenia nádrže na vodu.
Vnútroňná odkvapkávacia vanička je naplnená veľkým množstvom vody.	Mletá káva je príliš jemná, čo blokuje vytekanie vody.	Počas prevádzky mlynčeka upravte jemnosť kávy na hrubšiu.
Káva vyteká príliš pomaly alebo po kvapkách.	Príliš jemný prášok na kávu, ktorý blokuje vytekanie vody.	Počas prevádzky mlynčeka upravte jemnosť kávy na hrubšiu.
Kontrolka bliká, že nie je dostatok kávových zŕn, ale vo vnútri nádoby je dostatok.	Vnútroňný vývod zomletej kávy je zablokovaný.	Postupujte podľa krokov popísaných v časti Čistenie výstupu kávových zŕn.
Varná jednotka alebo misku na mletú kávu nie je možné odstrániť.	Spotrebič nedokončil proces samočistenia a bol vypnutý.	Znova zapnite zariadenie a nechajte ho dokončiť proces automatického čistenia.
Spotrebič nebude vykonávať cyklus preplachovania, keď je zapnutý alebo vypnutý.	Príčinou môže byť nesprávna manipulácia pri údržbe spotrebiča.	1. Keď je spotrebič zapnutý, odstráňte servisné dvierka. 2. Stlačte a podržte tlačidlo zapnutia/vypnutia, kým nebudete počuť 2 pípnutia. 3. Vymeňte servisné dvierka.
Dotykové tlačidlá nie sú citlivé	Nestlačajte dotykové tlačidlo z prednej strany spotrebiča.	Stlačte spodnú časť ikony dotykového tlačidla z prednej strany prístroja.



Кофемашина зерновая

Руководство по эксплуатации



CEG 3192 B

RU

Перед первым использованием изделия внимательно прочитайте данное руководство!

Уважаемые Покупатели,

Благодарим Вас за то, что выбрали продукт Веко. Мы надеемся, что вы получите наилучшие результаты от его использования: прибор был изготовлен с обеспечением высокого качества на базе новейших технологий. Поэтому внимательно прочитайте данное руководство пользователя и все другие сопроводительные документы перед использованием устройства. Рекомендуется сохранить данный документ в качестве справочного пособия для дальнейшего использования. При передаче устройства какому-либо другому лицу приложите к нему руководство пользователя. Соблюдайте все предупреждения и информацию в руководстве пользователя.

Значения Символов

В различных разделах данного руководства пользователя используются следующие обозначения:



Важная информация или полезные подсказки по использованию машины.



ОПАСНО: Предупреждение о возникновении опасных ситуаций, представляющих угрозу жизни и имуществу.



ПРЕДУПРЕЖДЕНИЕ: Предупреждение указывает на потенциально опасную ситуацию.



ВНИМАНИЕ: Предупреждение указывает на потенциальный материальный ущерб.



Материалы предназначены для контакта с пищевыми продуктами.



Этот продукт был произведен на экологически чистом, современном оборудовании.

Не содержит ПХД.

1 Важные инструкции по технике безопасности и защите окружающей среды

В этот раздел включены инструкции по технике безопасности, которые помогут обеспечить защиту от травм и материального ущерба. Несоблюдение этих инструкций аннулирует предоставленную гарантию.

1.1 Опасность электрического тока

Опасность для жизни от электрического тока!

Контакт с токоведущими проводами или компонентами может привести к серьезным травмам или даже смерти!

Во избежание поражения электрическим током соблюдайте следующие меры безопасности:

- Не осуществляйте эксплуатацию прибора в случае повреждения шнура питания или вилки. Обратитесь в авторизованную службу.

- Не открывайте корпус кофемашины. Опасность поражения электрическим током при прикосновении к токоведущим соединениям и / или изменении электрической и механической конфигурации.
- Перед очисткой контейнера для кофейных зерен выньте вилку прибора из розетки. Опасность из-за вращающейся кофемолки!

1.2 Опасность ожога

Части кофемашины во время работы могут сильно нагреваться! Раздаваемые напитки и выходящий пар очень горячие!

Соблюдайте следующие меры безопасности, чтобы избежать ожогов себя и / или других:

- Не касайтесь металлических втулок на обоих носиках дозатора кофе.

1 Важные инструкции по технике безопасности и защите окружающей среды

- Избегайте прямого контакта кожи с выходящим паром или горячей водой для ополаскивания, очистки и удаления накипи.
- Если соединительный кабель поврежден, он должен быть заменен только сервисным агентом, рекомендованным производителем, во избежание любой опасности! Обратитесь к производителю или в его службу поддержки.

1.3 Основные меры безопасности

Для безопасного обращения с кофемашинной соблюдайте следующие меры предосторожности:

- Никогда не играйте с упаковочным материалом. Риск удушья. Храните все упаковочные материалы в недоступном для детей месте.
- Перед использованием осмотрите кофемашину на предмет видимых признаков повреждений. Не используйте поврежденную кофемашину. Обратитесь в авторизованный сервисный центр.
- Ремонт кофемашин должен выполняться только авторизованным специалистом или сервисной службой завода. Неквалифицированный ремонт может представлять серьезную опасность для пользователя. Они также аннулируют гарантию.
- Ремонт кофемашин в течение гарантийного срока может выполняться только сервисными центрами, уполномоченными производителем, в противном случае гарантия аннулируется в случае последующего повреждения.

1 Важные инструкции по технике безопасности и защите окружающей среды

- Неисправные детали можно заменять только оригинальными запчастями. Только оригинальные запчасти гарантируют соблюдение требований безопасности.
- Данным прибором могут пользоваться дети в возрасте от 8 лет, а также лица с ограниченными физическими, сенсорными или умственными способностями или с недостатком опыта и / или знаний, если эти люди находятся под присмотром или были проинструктированы, как использовать прибор безопасным способом и осознали опасности, которые могут возникнуть при его использовании. Дети не должны играть с устройством. Чистка и обслуживание устройства не должны осуществляться детьми, если они не старше 8 лет и не находятся под надзором.
- Прибор предназначен для использования в домашних условиях и для схожих целей, например:
 - поварским персоналом в магазинах, офисах и других рабочих средах;
 - в жилых домах на фермах,
 - постояльцами в гостиницах, отелях и других средах населенных мест,
 - в заведениях типа «ночлег и завтрак».
- Защищайте кофемашину от погодных воздействий, таких как дождь, мороз и прямые солнечные лучи. Не используйте кофемашину на открытом воздухе.
- Ни в коем случае не погружайте кофемашину, сетевой кабель или вилку в воду или другие жидкости.
- Не мойте кофемашину или аксессуары в посудомоечной машине.

1 Важные инструкции по технике безопасности и защите окружающей среды

- Не наливайте никаких других жидкостей, кроме воды, и не кладите в резервуар для воды продукты.
- Не наполняйте резервуар для воды больше максимальной отметки (нижний край заливного отверстия).
- Эксплуатируйте машину только с установленным контейнером для отходов, поддоном для сбора капель и решеткой для чашек.
- Не тяните за кабель, чтобы вынуть вилку из розетки, и не прикасайтесь мокрыми руками.
- Не держите кофемашину за сетевой шнур.
- Храните устройство и шнур питания в месте, недоступном для детей в возрасте менее 8 лет.
- Не включайте функцию горячей воды непрерывно для более чем одного резервуара воды.
- Этот прибор можно использовать только для приготовления кофе.
- Необходимо следить за детьми с целью предотвращения игры с устройством.
- Отключайте прибор от сети перед каждой чисткой и в нерабочее время.
- Размещайте прибор таким образом, чтобы всегда обеспечивался доступ к вилке.
- Всегда используйте прибор на устойчивой, ровной, чистой, сухой и нескользкой поверхности.
- Устройство не является встроенной кофеваркой и не предназначено для использования в шкафу. Во время использования кофеварку нельзя ставить в шкаф.

1 Важные инструкции по технике безопасности и защите окружающей среды

- Не сжимайте и не перегибайте шнур питания и не трите его об острые края, чтобы избежать повреждения. Держите шнур питания вдали от горячих поверхностей и открытого огня.
- Ваш источник питания должен соответствовать информации, указанной на паспортной табличке прибора.
- Используйте прибор только с заземленной розеткой.
- Не используйте прибор с удлинителем.
- Не прикасайтесь к прибору или вилке прибора влажными или мокрыми руками, когда прибор включен в розетку.

1.4 Использование по назначению

Полностью автоматическая кофемашина Веко предназначена для использования в домашних условиях и аналогичных сферах, например, на кухнях для персонала, в магазинах, офисах и подобных помещениях или клиентами в гостиницах, мотелях и других жилых помещениях. Эта кофемашина не предназначена для коммерческого использования. Машина предназначена только для приготовления кофе и нагрева молока и воды. Любое другое использование, кроме ранее заявленного, считается неправильным.

Опасность из-за неправильного использования!

Если кофемашина используется не по назначению или для других ситуаций, она может быть источником опасности.



ПРЕДУПРЕЖДЕНИЕ:

Поэтому кофеварку можно использовать только по прямому назначению.



ПРЕДУПРЕЖДЕНИЕ:

Соблюдайте процедуры, описанные в данном руководстве пользователя.

Никакие претензии в отношении повреждений или травм, возникших в результате использования кофемашины не по прямому назначению, не принимаются.

Риск несет исключительно владелец машины.

1 Важные инструкции по технике безопасности и защите окружающей среды

1.5 Ограничение ответственности

Вся техническая информация, данные и инструкции по установке, эксплуатации и техническому обслуживанию кофемашины, содержащиеся в этой инструкции по эксплуатации, отражают текущее состояние на момент печати и основаны на самых лучших знаниях, полученных в результате опыта и ноу-хау.

Никакие претензии не могут быть основаны на информации, иллюстрациях и описаниях в этом руководстве пользователя.

Изготовитель не несет ответственности за ущерб или травмы, возникшие в результате несоблюдения руководства пользователя, использования не по назначению, непрофессионального ремонта, несанкционированных модификаций или использования неутвержденных запасных частей.

1.6 Соответствие требованиям Директивы WEEE (директива ЕС об отходах электрического и электронного оборудования) и утилизация отработавшего прибора:

Данный продукт соответствует Директиве ЕС WEEE (2012/19/EU). Данный прибор имеет классификационный знак для отработанного электрического и электронного оборудования (WEEE).



Такой знак означает, что после завершения эксплуатации прибор запрещается выбрасывать вместе с прочими бытовыми отходами.

Использованное устройство необходимо вернуть в официальный пункт приема утилизируемых электрических и электронных устройств. Чтобы найти такие системы приема утиля, обратитесь в местные уполномоченные органы или к розничным продавцам, у которых был приобретен продукт. Каждое домашнее хозяйство выполняет важную роль в восстановлении и утилизации старого оборудования. Надлежащая утилизация отработавшего устройства позволяет предотвратить возможные негативные последствия для окружающей среды и здоровья человека.

1.7 Соответствие требованиям Директивы RoHS

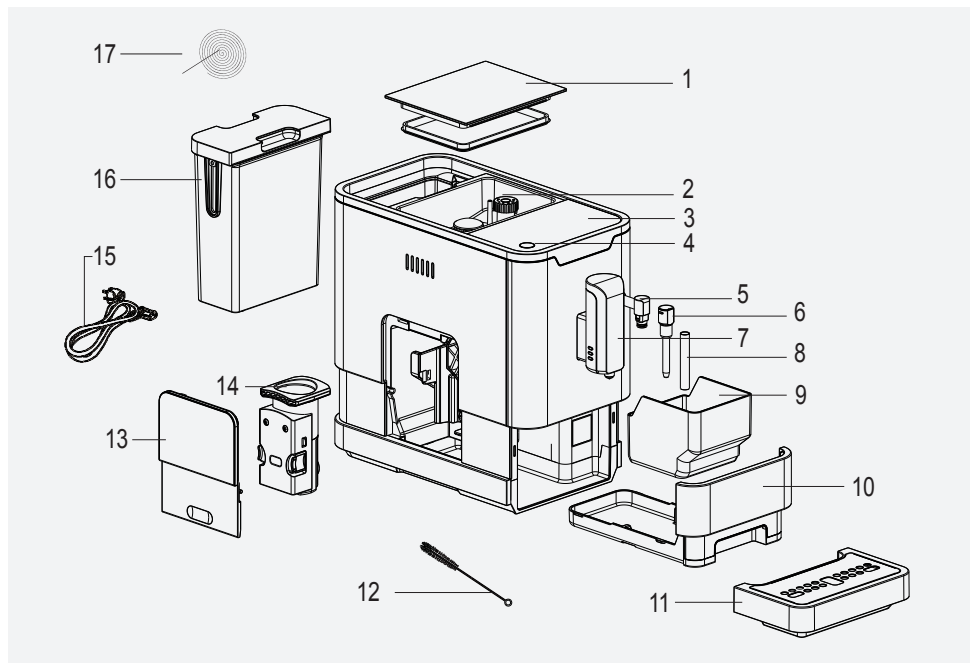
Приобретенный Вами прибор соответствует требованиям Директивы RoHS EC (2011/65/EU). В нем не содержится вредных и запрещенных материалов, указанных в данной Директиве.

1.8 Информация об упаковке



Материалы упаковки устройства произведены из перерабатываемого сырья в соответствии с нашими Национальными нормами по защите окружающей среды. Запрещается выбрасывать упаковочные материалы вместе с бытовыми и другими отходами. Отправьте их в точки сбора упаковочных материалов, указанные местными органами власти.

2 Ваша Полностью Автоматическая Кофемашина



1. Крышка контейнера для кофейных зерен
2. Контейнер для кофейных зерен
3. Панель управления
4. Кнопка «Вкл./Выкл.»
5. Паровое сопло
6. Крышка сопла
7. Регулируемый дозатор кофе
8. Металлическая трубка
9. Контейнер для кофейной гущи
10. Внутренний поддон
11. Внешний поддон
12. Щетка для чистки
13. Сервисная дверца
14. Часть для заваривания
15. Шнур питания
16. Резервуар для воды
17. Игла для очистки

Технические данные

Источник питания:

220-240 В~, 50-60 Гц












Мощность: 1350 W

Возможны технические и дизайнерские изменения.

Все заявленные значения на продукте и на печатных буклетах получены после лабораторных измерений, выполненных в соответствии с соответствующими стандартами. Эти значения могут отличаться в зависимости от использования и условий окружающей среды.

3 Дисплей

3.1 Панель управления

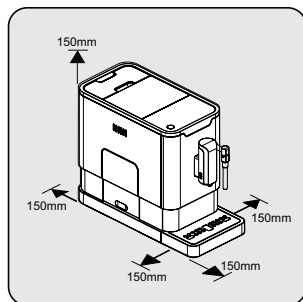
	Мигание: Низкий уровень воды / Отсутствует резервуар для воды
	Недостаточно кофейных зерен
	Постоянный световой сигнал: Контейнер для кофейной гущи заполнен Мигающий сигнал: Внутренний поддон для сбора капель / контейнер для кофейной гущи отсутствует
	Постоянный световой сигнал: Часть для заваривания отсутствует / установлена неправильно Мигающий сигнал: Сервисная дверца открыта / установлена неправильно
	Постоянный световой сигнал: Требуется удаление накипи Мигающий сигнал: Выполняется удаление накипи
	Функция пустой системы запущена
	Кнопка вкл./выкл.
	Кнопка подачи пара
	Кнопка горячей воды
	Кнопка крепкого эспрессо (25-40 мл кофе одним нажатием кнопки)
	Кнопка мягкого эспрессо (51-69 мл кофе одним нажатием кнопки)

4 Подготовка

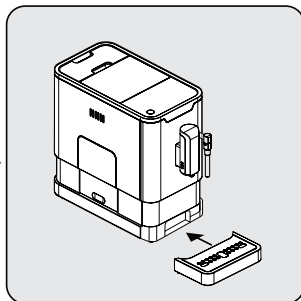
4.1 Установка



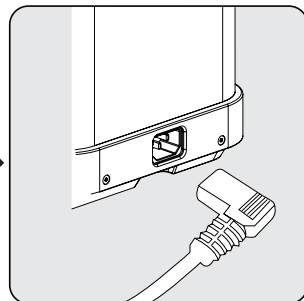
Удалите с устройства все защитные пленки, наклейки и другие упаковочные материалы.



Выберите безопасную и устойчивую поверхность с легкодоступным источником питания и соблюдайте минимальное расстояние от боковых сторон машин.



Вставьте внешний поддон для капель. Убедитесь, что он вставлен правильно.



Размотайте и распрямите шнур питания, затем вставьте вилку в разъем, расположенный на задней панели машины. Вставьте другой конец шнура питания в розетку с подходящим напряжением питания.

4.2 Заполнение резервуара для воды



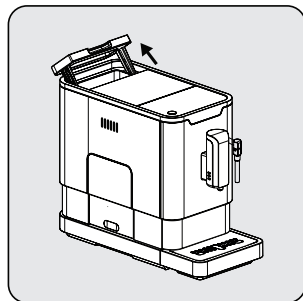
О программе защиты: Если резервуар для воды не полностью помещен в кофемашину, режим защиты сработает через 15 секунд во время процесса заваривания. На панели управления загорится кнопка горячей воды.

1. Убедитесь, что резервуар для воды полностью вставлен в машину.
2. Нажмите кнопку горячей воды. После подачи горячей воды машина перейдет в режим ожидания.

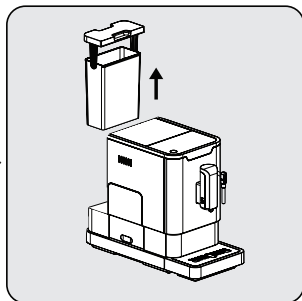


ПРЕДУПРЕЖДЕНИЕ: Когда  мигает, резервуар для воды находится на низком уровне и требует заполнения.

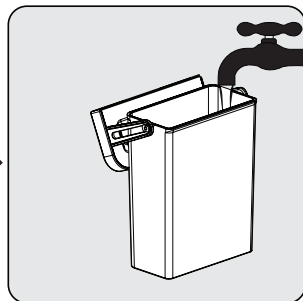
4 Подготовка



Поднимите резервуар для воды, взяв за ручку крышку.



Выньте резервуар для воды.



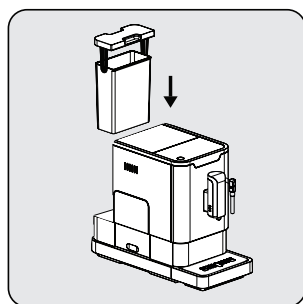
Промойте резервуар для воды пресной водой, затем наполните резервуар до максимального уровня и вставьте его обратно в машину. Убедитесь, что он вставлен полностью.



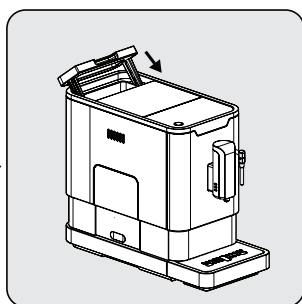
Во избежание перелива воды из резервуара для воды не добавляйте воду непосредственно в прибор из другой емкости.



ПРЕДУПРЕЖДЕНИЕ: Никогда не наполняйте резервуар для воды теплой или горячей водой, газированной водой или любой другой жидкостью, которая может повредить резервуар для воды и машину.



Установите резервуар для воды обратно, используя крышку как ручку.

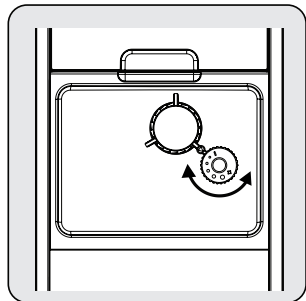


Закройте резервуар для воды крышкой.

5 Использование

5.1 Регулировка кофемолки

Вы можете настроить кофемолку в соответствии с степенью обжарки кофе, повернув ручку регулятора в контейнере для кофейных зерен:




ПРЕДУПРЕЖДЕНИЕ: Никогда не регулируйте кофемолку, когда она используется.

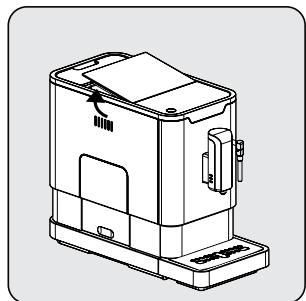


Точки на ручке регулятора указывают на тонкость помола.

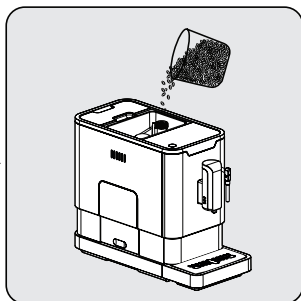
5.2 Наполнение контейнера для кофейных зерен



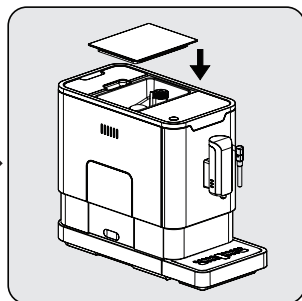
Когда мигает , необходимо заполнить прибор зернами кофе.



Снимите крышку контейнера для кофейных зерен.



Медленно насыпьте кофейные зерна.



Закройте контейнер крышкой.

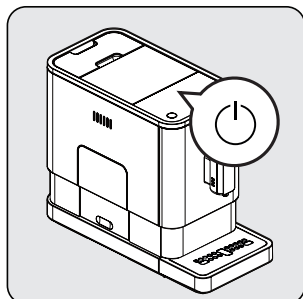


ПРЕДУПРЕЖДЕНИЕ: Наполняйте контейнер для кофейных зерен только кофейными зернами. Молотый кофе, растворимый кофе, карамелизированный кофе или любые другие предметы могут повредить машину.

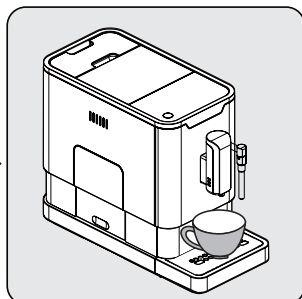
5 Использование

i Нажмите кнопку подачи горячей воды, чтобы очистить кофеварку изнутри перед первым использованием.

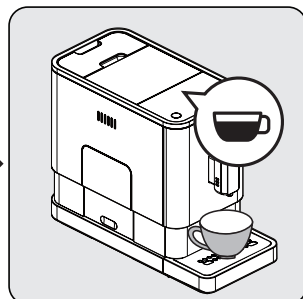
5.3 Приготовление вашего кофе



Включите прибор, нажав кнопку включения / выключения. Прибор включается в режиме ожидания и будет готов к работе, когда из дозатора кофе потечет немного горячей воды.



Поставьте чашку под дозатор кофе и отрегулируйте высоту носика по размеру чашки.



Нажмите кнопку эспрессо, и загорится свет, при этом загорится индикатор, указывающий, что прибор готовит чашку кофе. Когда прибор снова вернется в режим ожидания, кофе будет готов к подаче.

i Выключите прибор, нажав кнопку включения / выключения.

i Нажмите кнопку крепкого или мягкого эспрессо в зависимости от того, какой вкус кофе вы предпочитаете.

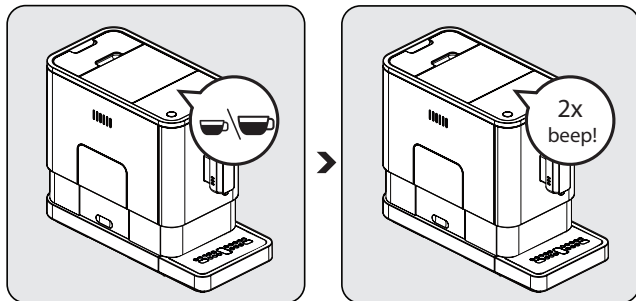
i Нажмите кнопку подачи горячей воды, чтобы очистить кофеварку изнутри перед первым использованием.

i Устройство оснащено функцией автоматического отключения. В зависимости от выбранного режима прибор будет иметь разное время автоматического выключения.

5 Использование

5.4 Регулировка количества кофе / горячей воды

Вы можете сохранить желаемое количество кофе как для крепкого, так и для мягкого эспрессо, а также для горячей воды от 25 мл до 250 мл.



При приготовлении кофе (крепкого или мягкого эспрессо) нажмите и удерживайте выбранную кнопку. Прибор продолжит приготовление чашки кофе, удерживая нажатой кнопку.

Когда количество кофе достигнет желаемого, отпустите кнопку. Если вы слышите два звуковых сигнала, это означает, что машина сохранила желаемый объем кофе.

Чтобы сбросить до заводских настроек

Чтобы сбросить выбор объема кофе и горячей воды, сохраненный в памяти до заводских настроек, следует сбросить до заводских настроек.

1. Снимите внутренний и внешний поддоны при выключенном приборе,
2. Снимите сервисную крышку,
3. Уберите графин,
4. Установите сервисную крышку,
5. Удерживайте вкл/выкл кнопку в течение 5 секунд (2 раза выдаст звуковой сигнал)
6. Откройте сервисную крышку,
7. Установите графин,
8. Закройте сервисную крышку,
9. Установите поддоны.

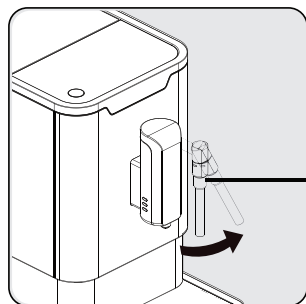
Теперь прибор сброшен до заводских настроек.

5.5 Приготовление пенистого молока для кофе

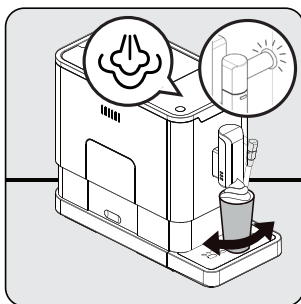


Поскольку температура пара выше, чем температура эспрессо, эспрессо следует приготовить до приготовления вспененного молока. В противном случае эспрессо может пригореть.

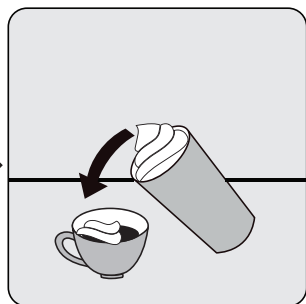
5 Использование



Приготовьте кофе эспрессо для чашки большего размера. Поверните паровое сопло к поддону для сбора капель.



Нажмите кнопку пара. Индикатор пара будет мигать. После этого прибор нагреется и остатки воды стекут в поддон для сбора капель или другую емкость. После того, как световой индикатор пара перестанет мигать и будет гореть постоянным светом, поместите емкость с молоком под паровое сопло и погрузите паровое сопло примерно на 5 см в емкость. Пока выходит горячий пар, поверните емкость.



Налейте горячее вспененное молоко в эспрессо. Теперь вы можете наслаждаться своим кофе!



После использования паровой насадки очистите насадку от остатков молока, протерев насадку влажной тряпкой.



Рекомендуется удалить остатки молока, которые могут скапливаться на кончике сопла, активировав функцию подачи горячей воды из сопла.

5.6 Горячая вода

Прибор может подавать горячую воду простым нажатием кнопки подачи горячей воды. Загорание кнопки подачи горячей воды и подсветки означает, что прибор нагревает воду. Когда кнопка горячей воды и подсветка погаснут, вода готова к подаче.

5.7 Выбор режима



У машины есть три различных настройки: настройка по умолчанию, режим ECO и быстрый режим. В режиме ECO прибор экономит больше энергии. В быстром режиме пользователь может приготовить кофе быстрее, чем при настройке по умолчанию.




5 Использование


	Режим ЭКО	Быстрый режим	Настройки по умолчанию
Свет	Нет	Да	Да
Предварительное заваривание*	Да	Нет	Да
Время автоматического отключения	10 минут	30 минут	20 минут
Память объема чашки	Да	Да	Да



Функция предварительного заваривания смачивает молотые зерна в части для заваривания небольшим количеством воды перед полным отжимом. Это расширяет кофейную гущу, чтобы создать большее давление в части для заваривания, что помогает извлечь все масла и раскрыть полный аромат зерен.

1. Когда машина находится в режиме ожидания, нажмите и удерживайте  в течение 5 секунд.
2. Затем  будет мигать, и следующая кнопка будет иметь следующие обозначения для различных настроек:

	Кнопка горячей воды 	Кнопка крепкого эспрессо 	Кнопка мягкого эспрессо 
В режиме ЭКО	Свет горит	Мигает	Мигает
В быстром режиме	Да	Нет	Мигает
При настройках по умолчанию	Мигает	Мигает	Свет горит

3. Нажмите кнопку горячей воды для режима ЭКО, кнопку сильного эспрессо для режима скорости и кнопку мягкого эспрессо для настроек по умолчанию. Когда режим будет выбран, вы услышите два гудка. (Примечание: Если вы нажмете кнопку включения света для каждого режима, машина не ответит).
4. Если вы хотите, чтобы настройка оставалась неизменной, снова нажмите  или подождите 5 секунд, пока машина не вернется в состояние ожидания.

6 Очистка

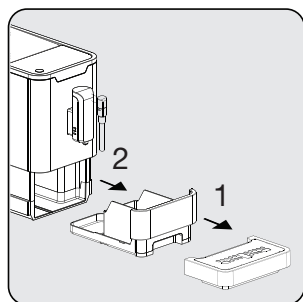
6.1 Очистка прибора

1. Выньте шнур питания из розетки.
2. Слейте всю воду из внутреннего и внешнего поддона для сбора капель.
3. Используйте влажную ткань или не царапающее средство для очистки водяных пятен на приборе.

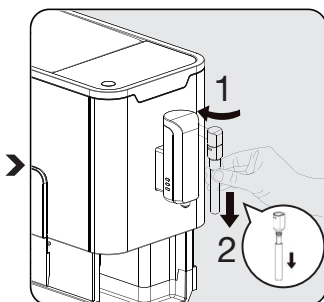


ПРЕДУПРЕЖДЕНИЕ: Никогда не используйте для чистки прибора абразивные вещества, уксус или средства для удаления накипи, не входящие в комплект поставки.

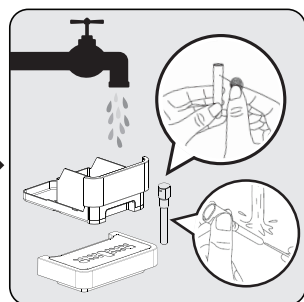
Своевременная чистка и уход за прибором очень важны для продления его срока службы.



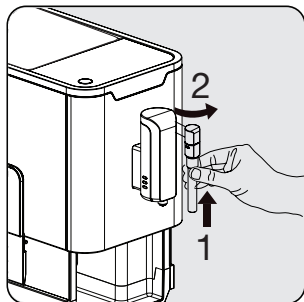
Снимите внешний поддон для капель. Выдвиньте внутренний поддон для капель и контейнер для кофейной гущи.



Снимите металлическую трубку, потянув ее вниз. Затем разблокируйте крышку сопла, повернув ее влево, чтобы снять крышку сопла и металлическую трубку.




Опорожните контейнер для кофейной гущи и внешний поддон для капель. Промойте металлическую трубку теплой проточной водой и используйте иглу или щетину кисти, чтобы очистить отверстие. Промойте крышку сопла теплой проточной водой и очистите отверстие иглой или щетиной. После этого просушите их.

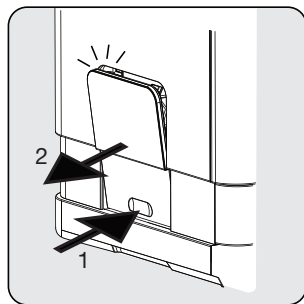


Установите металлическую трубку обратно на крышку сопла. Затем нажмите вверх, чтобы установить крышку сопла на место. И поверните ее вправо, чтобы заблокировать.

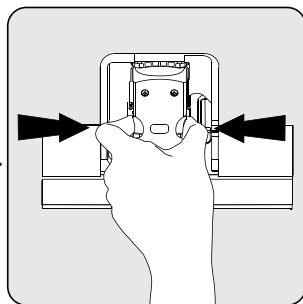
6 Очистка



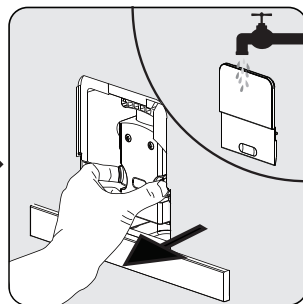
Когда  загорается, необходимо опорожнить контейнер для кофейной гущи. Этот значок загорается после каждых 10 приготовлений кофе. Очистите контейнер, чтобы сбросить значок. Если контейнер чистый, достаточно будет снять его и установить на место.



Нажмите на область разблокировки, сервисная дверца выскочит. Затем вытащите сервисную дверцу.





Нажмите на фиксирующие ручки и вытащите.



Снимите часть для заваривания. Промойте часть для заваривания пресной водой. Затем высушите часть для заваривания.




Когда горит , это означает, что часть для заваривания отсутствует / установлена неправильно. Когда  мигает, это означает, что сервисная дверца отсутствует / установлена неправильно.

6.2 Самоочистка



ПРЕДУПРЕЖДЕНИЕ: Подождите, пока завершится процесс самоочистки, а затем выключите машину.

Мигание  означает, что прибору необходимо пройти самоочистку. Устройство будет оставаться в наилучшем состоянии, если эту функцию выполнять не реже одного раза в месяц или чаще, в зависимости от жесткости используемой воды. Вы также должны





1. Полностью заполнить резервуар для воды.
2. Добавить содержимое одной упаковки чистящего средства из коробки в резервуар для воды.



ПРЕДУПРЕЖДЕНИЕ: Не используйте уксус или другие чистящие средства для самоочистки этого прибора. Чистящее средство может повредить прибор.




3. Подключите устройство к розетке.
4. Поставьте достаточно большую емкость под дозатор кофе и сопло.

6 Очистка

5. В режиме ожидания нажмите и удерживайте  и кнопку сильного эспрессо  в течение 5 секунд. Вы услышите звуковой сигнал, и кнопка сильного эспрессо  начнет мигать.
6. Нажмите кнопку крепкого эспрессо, чтобы подтвердить процесс самоочистки. Чтобы вернуться в режим ожидания, нажмите .
7. Если свет мигает, это означает, что прибор выполняет самоочистку.








ПРЕДУПРЕЖДЕНИЕ: Держите кожу / тело подальше от горячей воды.

8. Когда вся вода в резервуаре для воды будет слита, кнопка  и кнопка самоочистки  начнут мигать. Удалите весь оставшийся раствор из резервуара для воды и наполните резервуар обычной водопроводной водой до максимального значения. Когда бак заполнится,  погаснет. После этого прибор продолжит процесс самоочистки.
9. По завершении процесса самоочистки прибор автоматически выключится.

6.3 Функция опустошения системы

Используйте функцию опустошения системы перед длительным периодом простоя, для защиты от замерзания и перед разговором с техником по ремонту.






1. В режиме ожидания нажмите и удерживайте одновременно кнопку  и кнопку мягкого эспрессо  в течение 5 секунд.
2.  начнет мигать.
3. Снимите резервуар для воды с прибора.  загорится, указывая на то, что опустошение системы находится в процессе. Нажмите  перед снятием резервуара для воды, чтобы вернуться в режим ожидания.
4. Когда функция опустошения системы будет завершена, прибор автоматически выключится.



ПРЕДУПРЕЖДЕНИЕ: После выполнения ФУНКЦИИ ОПУСТОШЕНИЯ СИСТЕМЫ нажмите кнопку горячей воды до тех пор, пока из дозатора не пойдет вода, когда кофеварка снова будет использоваться.

6.4 Ручное ополаскивание

После использования можно промыть сопло для кофе вручную. Если прибор не использовался в течение долгого времени, рекомендуется промыть его вручную.

1. В режиме ожидания нажмите и удерживайте одновременно кнопку  и кнопку подачи горячей воды .
2. После этого погаснет кнопка горячей воды , кнопка сильного эспрессо  и кнопка мягкого эспрессо . Из сопла для кофе будет подано небольшое количество воды, которая используется для ополаскивания.



ПРЕДУПРЕЖДЕНИЕ: Из сопла для кофе выходит горячая вода, которая собирается в поддоне для капель под ним. Избегайте контакта, так как он разбрызгивается.

3. После ополаскивания прибор вернется в режим ожидания.

6 Очистка

Отмена режима автоматической очистки

Ваш прибор автоматически очищается до и после каждой операции приготовления. Вы можете выполнить следующие действия, чтобы отменить режим автоматической очистки.

- Включите прибор, нажав выключатель, и дождитесь, пока он перейдет в режим ожидания.
- Откройте сервисную крышку.
- Нажмите выключатель на 5 секунд, раздастся звуковой сигнал.
- Закройте сервисную крышку.
- Теперь операция автоматической очистки отменена.



Мы рекомендуем вам активно использовать режим автоматической очистки для обеспечения нормальной работы.

7 Выявление проблем

Неисправность	Причина	Решение
Прибор не работает.	Прибор не подключен к электросети.	Подключите и нажмите на выключатель. Проверьте кабель и вилку.
Отсутствие или задержка отклика в нескольких попытках нажатия функциональной клавиши на панели	Устройство находится под воздействием электромагнитных помех. Грязь на панели.	Выключите изделие из розетки. Перезапустите через несколько минут. Очистите панель прилагаемой тканью.
Кофе недостаточно горячий.	Чашки не были подогреты. Заварочный блок слишком холодный.	Перед приготовлением кофе подогрейте чашку с помощью функции пара или ополосните чашку горячей водой. Убедитесь, что вода в резервуаре для воды не слишком холодная.
Кофе не выходит из носика.	Функция опустошения системы могла использоваться раньше. Возможно, дозатор кофе не был очищен и забит остатками кофе.	Нажимайте кнопку подачи горячей воды до тех пор, пока из носика не начнет вытекать вода. Очистите дозатор кофе.
Первая чашка кофе плохого качества.	При первом запуске кофемолки в заварочный блок не наливается достаточное количество кофе.	Выбросьте кофе. Следующие чашки будут лучше.
Бак для воды снят / уровень воды в баке очень низкий, но  нет предупреждения.	Область возле разъема резервуара для воды влажная.	Вытрите воду вокруг разъема резервуара для воды.
Внутренний поддон для сбора капель наполнен большим количеством воды.	Молотый кофе слишком мелкий, поэтому вода не может вытекать.	Отрегулируйте степень помола кофе на более крупную во время работы кофемолки.
Кофе подается слишком медленно или по каплям.	Кофейная гуща слишком мелкая, и вода не может вытекать.	Отрегулируйте степень помола кофе на более крупную во время работы кофемолки.
Индикатор мигает, что кофейных зерен недостаточно, но внутри контейнера их много.	Внутренний выход для кофейной гущи заблокирован.	Выполните действия, описанные в разделе Очистка отверстия для сбора кофейной гущи.
Невозможно извлечь часть для заваривания или поддон для кофейной гущи.	Прибор не завершил процесс самоочистки и был выключен.	Пожалуйста, снова включите машину и дайте ей завершить процесс автоматической очистки.
При включении или выключении прибор больше не выполняет цикл ополаскивания.	Причиной может быть неправильное обращение при обслуживании прибора.	1. Когда прибор включен, снимите сервисную дверцу. 2. Нажмите и удерживайте кнопку включения / выключения, пока не услышите 2 звуковых сигнала. 3. Установите сервисную дверцу.
Сенсорные кнопки не чувствительны.	Не нажимайте сенсорную кнопку с передней стороны прибора.	Нажмите на самую нижнюю часть значка сенсорной кнопки со стороны передней части прибора.

Производитель: "Arçelik A.S."
Karaağaç Caddesi No: 2-6 Sütlüce, 34445, Турция

Сделано в Китае

(Town Ray Electrical (HuiZhou) Limited / Tunbow Group Limited Jiang Bei, 84 Hao Xiao Qu,
Xiao Jin Kou Town, Huizhou, GuangDong, 516023, China Tel: +86-752 2028218 P.R.C.)
Китай

Импортер на территории РФ: ООО «БЕКО»
Юридический адрес: 601021 Россия, Владимирская обл., Киржачский р-н, дер.
Федоровское, ул. Сельская, д. 49

Дата производства включена в серийный номер продукта, указанный на этикетке,
расположенной на продукте, а именно:
первые две цифры серийного номера обозначают год производства, а последние две
– месяц.

Например, «10-100001-05» обозначает, что продукт произведен в мае 2010 года.

Действует только на территории РФ / Valid for Russian Federation only



ГАРАНТИЯ 2 ГОДА

Адрес: 109004, Россия, Москва, ул. Станиславского, д21, стр 1. <http://www.beko.ru>
Телефон горячей линии 8-800-200-23-56 (Звонок бесплатный на всей территории России)

Гарантийный талон серия **RUS №**

Модель Серийный номер

Дата продажи

Компания

Подпись продавца

ПЕЧАТЬ

Дата установки

Компания

Подпись мастера

ПЕЧАТЬ

Покупатель Телефон

Фамилия, Имя, Отчество

Изделие проверялось в присутствии покупателя;

Покупатель с условиями гарантии ознакомлен

Подпись Покупателя



Отрывные купоны гарантийного талона являются средством отчетности о выполнении сервисным центром гарантийных работ. Купон изымается из гарантийного талона после удовлетворения Ваших претензий.



серия **RUS №**

Дата продажи

ПЕЧАТЬ
МАГАЗИНА

3

ГАРАНТИЯ 2 ГОДА



серия **RUS №**

Дата продажи

ПЕЧАТЬ
МАГАЗИНА

2

ГАРАНТИЯ 2 ГОДА



серия **RUS №**

Дата продажи

ПЕЧАТЬ
МАГАЗИНА

1

ГАРАНТИЯ 2 ГОДА

Lees eerst deze handleiding!

Beste klant,

Bedankt dat u voor Beko product hebt gekozen. Wij hopen dat u de beste resultaten krijgt van uw product dat werd vervaardigd met hoogwaardige en moderne technologie. Om die reden vragen wij u deze volledige handleiding en alle andere begeleidende documenten zorgvuldig te lezen voor u het product in gebruik neemt en bewaar ze voor een eventuele raadpleging in de toekomst. Als u het product doorgeeft aan iemand anders mag u niet vergeten ook de handleiding mee te geven. U moet alle waarschuwingen en informatie omvat in deze handleiding naleven.

Betekenis van de symbolen

De volgende symbolen worden gebruikt in verschillende hoofdstukken van deze handleiding:



Belangrijke informatie en nuttige tips bij het gebruik.



GEVAAR: Waarschuwing voor gevaarlijke situaties met betrekking tot leven en eigendom.



WAARSCHUWING: Deze waarschuwingen wijzen op potentieel gevaarlijke situaties.



OPGELET: Deze waarschuwingen wijzen op potentiële materiële schade.



Materiaal dat bedoeld is in contact te komen met voedingswaren.



Dit product is vervaardigd in milieuvriendelijke, moderne faciliteiten.

Het bevat geen PCB's.

1 Belangrijke instructies met betrekking tot veiligheid en het milieu

Dit deel bevat de veiligheidsinstructies die bescherming zullen bieden tegen risico's op persoonlijk letsel en materieel verlies. Het niet naleven van deze instructies laat de garantie vervallen.

1.1 Gevaar voor elektrische stroom

Levensgevaar door elektrische stroom!

Aanraking met onder spanning staande draden of onderdelen kan ernstig letsel of zelfs de dood tot gevolg hebben!

Houd rekening met de volgende veiligheidsvoorschriften om elektrische schokken te vermijden:

- Gebruik het apparaat niet als het netsnoer of de stekker beschadigd is. Neem contact op met de onderhoudsdienst.

- Open de behuizing van de koffiemachine niet. Gevaar voor elektrische schok als onder spanning staande aansluitingen worden aangeraakt en/of de elektrische en mechanische configuratie wordt gewijzigd.
- Trek de stekker van het apparaat uit het stopcontact voordat u het bonenreservoir reinigt. Gevaar voor draaiende koffiemolen!

1.2 Verbrandingsgevaar

Delen van de koffiemachine kunnen zeer heet worden wanneer het apparaat in werking is! Geserveerde dranken en vrijkomend stoom zijn zeer heet!

Neem de volgende veiligheidsmaatregelen in acht om te voorkomen dat u uzelf en/of anderen verbrandt:

1 Belangrijke instructies met betrekking tot veiligheid en het milieu

Raak geen van beide metalen hulzen op beide koffietuiten aan.

- Vermijd rechtstreeks contact van de huid met vrijkomend stoom of met heet spoel-, reinigings- en ontkalkingswater.

1.3 Fundamentele veiligheidsmaatregelen

Neem de volgende veiligheidsmaatregelen in acht om het veilig hanteren van de koffiemachine te garanderen:

- Speel nooit met de verpakking. Verstikkingsgevaar. Houd alle verpakkingsmateriaal uit de buurt van kinderen.
- Inspecteer het koffiezetapparaat op zichtbare tekenen van schade voor het gebruik. Gebruik het apparaat niet als het is beschadigd. Neem contact op met de geautoriseerde service.
- Als de aansluitkabel beschadigd is, moet deze worden vervangen door een serviceagent die wordt aanbevolen door de fabrikant om gevaar te voorkomen. Neem contact op met de fabrikant of met zijn klantenservice.
- Reparaties aan de koffiemachine mogen alleen worden uitgevoerd door een erkende vakman of door de klantenservice van het bedrijf. Ongekwalificeerde reparaties kunnen leiden tot groot gevaar voor de gebruiker. Bovendien vervalt de garantie bij dergelijke reparaties.
- Reparaties aan het koffiezetapparaat tijdens de garantieperiode mogen alleen worden uitgevoerd door servicecentra die door de fabrikant zijn erkend, anders vervalt de garantie bij latere schade.

1 Belangrijke instructies met betrekking tot veiligheid en het milieu

- Defecte onderdelen mogen alleen worden vervangen door originele wisselstukken. Alleen originele wisselstukken garanderen dat aan de veiligheidsvereisten is voldaan.
- Dit apparaat mag worden gebruikt door kinderen ouder dan 8 en door personen met een fysieke, sensorische of mentale beperking of die onvoldoende ervaring en kennis hebben van het apparaat, mits ze onder toezicht staan of zijn geïnformeerd over het veilige gebruik van het apparaat en de eventuele gevaren van het gebruik begrijpen. Laat kinderen niet met het apparaat spelen. Reiniging en gebruikersonderhoud dienen niet door kinderen uitgevoerd te worden, tenzij ze ouder zijn dan 8 en onder toezicht staan.
- Dit apparaat is bedoeld voor huishoudelijk gebruik en vergelijkbare toepassingen zoals:
 - personeelskeukenruimtes in winkels, kantoren en andere werkomgevingen,
 - boerderijen,
 - door klanten in hotels, motels en andere typen overnachtingsomgevingen,
 - omgevingen van het type bed-and-breakfast.
- Bescherm het koffiezetapparaat tegen weersinvloeden zoals regen, vorst en direct zonlicht. Gebruik het koffiezetapparaat niet buitenshuis.
- Dompel het koffiezetapparaat zelf, het netsnoer of de stekker nooit onder in water of andere vloeistoffen.
- Reinig het koffiezetapparaat of de accessoires niet in een vaatwasser.

1 Belangrijke instructies met betrekking tot veiligheid en het milieu

- Giet geen andere vloeistoffen dan water in het waterreservoir en plaats er geen voedsel in.
- Vul het waterreservoir niet boven de maximummarkering (onderste rand van het vulgat).
- Gebruik het apparaat alleen als de afvalbak, lekbak en het bekerrooster zijn bevestigd.
- Trek niet aan de kabel om de stekker uit het stopcontact te trekken of raak deze niet aan met natte handen.
- Houd het koffiezetapparaat niet vast met het netsnoer.
- Houd het apparaat en het snoer buiten het bereik van kinderen jonger dan 8 jaar.
- Het apparaat mag enkel worden gebruikt om koffie te zetten.
- Kinderen moeten onder toezicht staan om zeker te zijn dat ze niet spelen met dit apparaat.
- Verwijder de stekker uit het stopcontact na elke reiniging en wanneer u het apparaat niet gebruikt
- Het apparaat moet zodanig worden gepositioneerd dat de stekker toegankelijk blijft.
- Gebruik het apparaat altijd op een stabiel, plat, schoon, droog en antislip oppervlak.
- Het apparaat is geen ingebouwd koffiezetapparaat en is niet ontworpen voor gebruik in een kast. Het koffiezetapparaat mag niet in een kast worden geplaatst wanneer het in gebruik is.
- Het netsnoer mag niet worden samengedrukt of gebogen en het mag niet over scherpe randen worden gewreven om schade te voorkomen. Houd het netsnoer uit de buurt van warme oppervlakken en open vlammen.

1 Belangrijke instructies met betrekking tot veiligheid en het milieu

- Zorg ervoor dat uw netspanning overeenstemt met de gegevens op het typeplaatje van het apparaat.
- Gebruik het apparaat enkel met een gaard stopcontact.
- Gebruik het apparaat niet met een verlengsnoer.
- Raak het apparaat of de stekker niet aan met vochtige of natte handen als de stekker in het stopcontact zit.

1.4 Bedoeld gebruik

Het volautomatische koffiezetapparaat van Beko is bedoeld voor huishoudelijk gebruik en gelijkaardige toepassingen, bijvoorbeeld in personeelskeukens, kantoren en gelijkaardige ruimten of door klanten in bed & breakfasts, hotels, motels en andere woonruimten. Dit koffiezetapparaat is niet bedoeld voor commercieel gebruik. Het apparaat is alleen bedoeld voor het bereiden van koffie en het opwarmen van melk en water. Ieder ander dan het hiervoor genoemde gebruik wordt beschouwd als oneigenlijk gebruik.

Gevaar door oneigenlijk gebruik!

Als het koffiezetapparaat niet voor het beoogde doel of op een andere wijze wordt gebruikt, kan deze een bron van gevaar zijn of worden.



WAARSCHUWING: Het koffiezetapparaat mag daarom alleen voor zijn beoogde doel worden gebruikt.



WAARSCHUWING: Neem de procedures die in deze gebruikershandleiding worden beschreven in acht.

Er wordt geen enkele aanspraak op schadevergoeding aanvaard voor schade of letsel als gevolg van het gebruik van het koffiezetapparaat voor een ander doel dan het beoogde doel.

Het risico is uitsluitend voor rekening van de eigenaar van het apparaat.

1.5 Beperking van aansprakelijkheid

Alle in deze bedieningsinstructies opgenomen technische informatie, gegevens en instructies met betrekking tot de installatie, het gebruik en het onderhoud van het koffiezetapparaat geven de actuele stand van zaken op het moment van het drukken weer en zijn gebaseerd op de best mogelijke kennis die werd opgedaan door ervaring en knowhow.

Aan de informatie, afbeeldingen en beschrijvingen in deze gebruikershandleiding kunnen geen aanspraken worden ontleend.

De fabrikant is niet aansprakelijk voor schade of letsel die voortvloeit uit het niet in acht nemen van de gebruikershandleiding, een ander gebruik dan voor het beoogde doel, onprofessionele reparaties, ongeoorloofde wijzigingen of het gebruik van niet-goedgekeurde wisselstukken.

1 Belangrijke instructies met betrekking tot veiligheid en het milieu

1.6 Voldoet aan de WEEE-richtlijn en de richtlijnen voor afvoeren van het restproduct:

Dit product voldoet aan de EU-richtlijn WEEE (2012/19/EU). Dit product is voorzien van een classificatiesymbool voor afvalsortering van elektrische en elektronische apparatuur (WEEE).



Dit symbool geeft aan dat dit product niet met ander huishoudelijk afval mag worden weggegooid aan het einde van zijn levensduur. Het gebruikte apparaat moet worden ingeleverd bij het officiële

inzamelingspunt voor recycling van elektrische en elektronische apparaten. Voor de locatie van deze inzamelingspunten neemt u contact op met de plaatselijke gemeente of winkelier waar u het product heeft gekocht. Ieder huishouden heeft een belangrijke rol in de herwinning en recycling van oude apparaten.

Correcte verwijdering van gebruikte apparaten helpt potentiële negatieve consequenties voor het milieu en de gezondheid van de mens te voorkomen.

1.7 Naleving van de RoHS-richtlijn

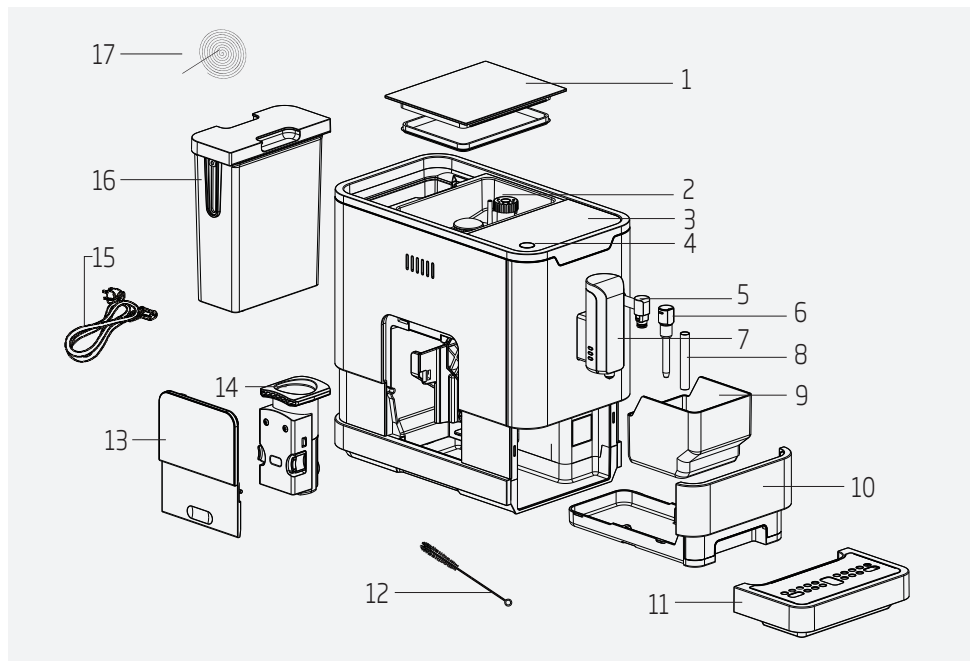
Het product dat u gekocht heeft, voldoet aan de EU RoHS Richtlijn (2011/65/EU). Het bevat geen schadelijke en verboden materialen die in de richtlijn worden gespecificeerd.

1.8 Verpakkingsinformatie



De verpakkingsmaterialen van het product zijn gemaakt van recyclebare materialen in overeenstemming met onze Nationale Milieuvorschriften. Gooi de verpakkingsmaterialen niet weg samen met het huishoudelijk of ander afval. Breng ze naar de verzamelpunten voor verpakkingsmaterialen aangegeven door de lokale instanties.

2 Uw volledig automatische koffiezetapparaat



1. Deksel van het koffiebonenreservoir
2. Koffiebonenreservoir
3. Bedieningspaneel
4. Knop Aan/Uit
5. Stoompijpje
6. Dop van het pijpje
7. Verstelbare koffie-uitloop
8. Metalen buis
9. Gemalen koffiereservoir
10. Intern lekbakje
11. Extern lekbakje
12. Reinigingsborstel
13. Onderhoudsluik
14. Brouwer
15. Netsnoer
16. Waterreservoir
17. Reinigingsnaald

Technische gegevens

Voeding:

220-240 V~, 50-60 Hz












Vermogen: 1350 W

Technische en ontwerp wijzigingsrechten zijn voorbehouden.

Alle vermelde waarden op het product en op de gedrukte brochures worden vastgesteld na metingen in de laboratoria in overeenstemming met de relevante normen. Deze waarden kunnen verschillen naargelang het gebruik en de omstandigheden van de omgeving.

3 Scherm

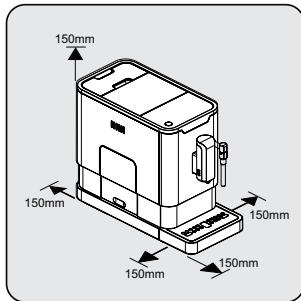
3.1 Bedieningspaneel

	Knipperen: Laag waterniveau/Waterreservoir ontbreekt
	Onvoldoende koffiebonen
	Stabiel waarschuwingslicht Het gemalen koffiereservoir is vol Knipperend licht: Het intern lekbakje/gemalen koffiereservoir ontbreekt
	Stabiel waarschuwingslicht Brouwer ontbreekt/is incorrect geïnstalleerd Knipperend licht: Onderhoudsluik is geopend/incorrect geïnstalleerd
	Stabiel waarschuwingslicht Ontkalken vereist Knipperend licht: Het apparaat wordt ontkalkt
	Systeem legen is actief
	Aan/Uit knop
	Stoomknop
	Warm water knop
	Sterke Espresso knop (25-40 ml koffie met één druk op de knop)
	Middelmatige Espresso knop (51-69 ml koffie met één druk op de knop)

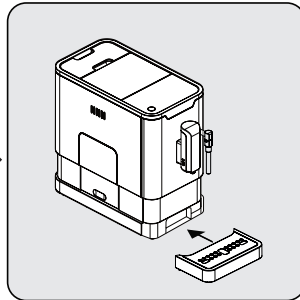
4 Bereiding

4.1 Installatie

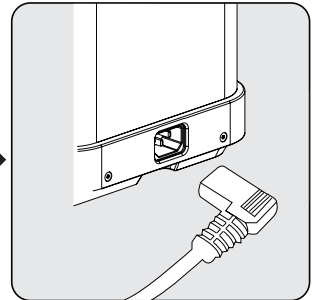
i Verwijder alle eventuele beschermende lagen, stickers en alle andere verpakkingsmateriaal op het apparaat.



Kies een veilig en stabiel oppervlak met een gemakkelijk bereikbaar stopcontact en laat een minimumafstand aan de zijkanten van het apparaat.



Breng het extern lekbakje aan. Zorg ervoor dat het correct is aangebracht.



Ontwikkel en trek het netsnoer recht en steek de stekker in het stopcontact op de achterzijde van het apparaat. Steek het andere uiteinde van het netsnoer in het stopcontact in de muur met een geschikte spanning.

4.2 Het waterreservoir vullen

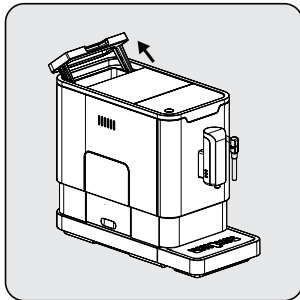


Over het beschermingsprogramma: Als het waterreservoir niet volledig in het apparaat is aangebracht, wordt een beschermingsmodus ingeschakeld gedurende 15 seconden van het brouwproces. De warm water knop licht op op het bedieningspaneel.

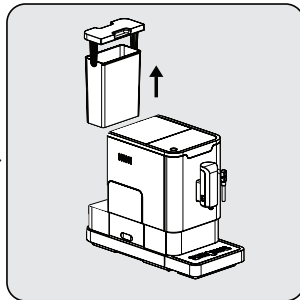
1. Zorg ervoor dat het waterreservoir volledig in het apparaat is gevoerd.
2. Druk op de warm water knop. Nadat het warm water is verdeeld, keert het apparaat terug naar stand-by.



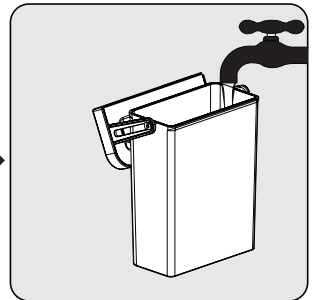
WAARSCHUWING: Als  knippert, is het waterniveau in het waterreservoir zeer laag en moet worden bijgevuld.



Vul het waterreservoir op met het deksel als het handvat.



Verwijder het waterreservoir.



Spoel het waterreservoir met fris water en vul het reservoir tot het Max. niveau en plaats het terug in het apparaat. Zorg ervoor dat het volledig is aangebracht.

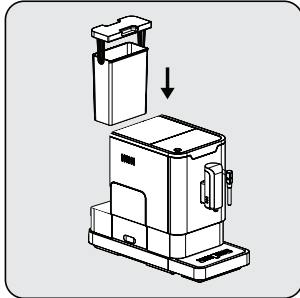
4 Bereiding



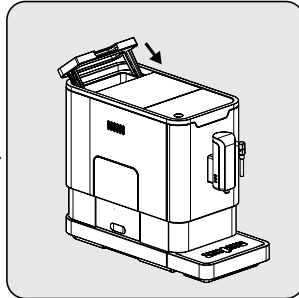
Om de overstroming van water uit het waterreservoir te voorkomen, mag u geen water direct in het apparaat toevoegen met een andere container.



WAARSCHUWING: Vul het waterreservoir nooit op met warm of heet water, bruisend water of een andere vloeistof die het waterreservoir en het apparaat kan beschadigen.



Breng het waterreservoir opnieuw aan met het deksel als het handvat.

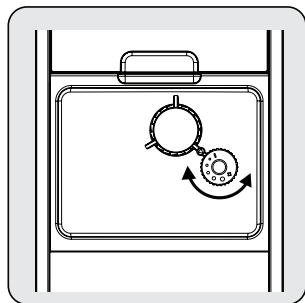


Sluit het waterreservoir met het deksel.

5 Bediening

5.1 Malen bijstellen

U kunt de molen bijstellen om het brandniveau van uw koffiezetapparaat aan te passen door te draaien aan de bijstelknop in het bonenreservoir:



WAARSCHUWING: Regel de molen nooit bij als hij in gebruik is.

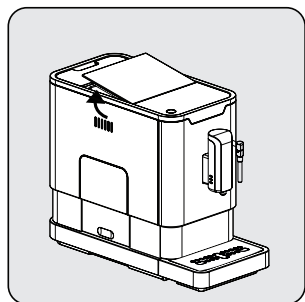


De punten op de bijstelknop geven de fijnheid van de gemalen koffie aan.

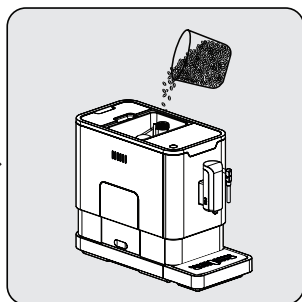
5.2 Het bonenreservoir opvullen



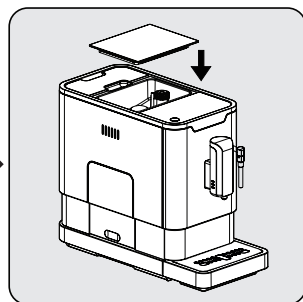
Als  knippert, moet het apparaat worden bijgevuld met koffiebonen.



Verwijder het deksel van het bonenreservoir.



Giet de koffiebonen langzaam in het reservoir.



Breng het deksel opnieuw aan.

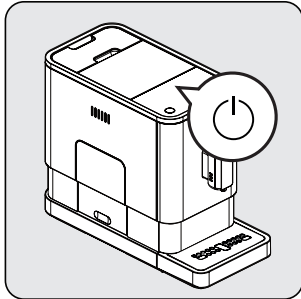


WAARSCHUWING: Vul het koffiebonenreservoir enkel op met koffiebonen. Gemalen koffie, instant koffie, gekarameliseerde koffie of andere voorwerpen kunnen het koffiezetapparaat beschadigen.

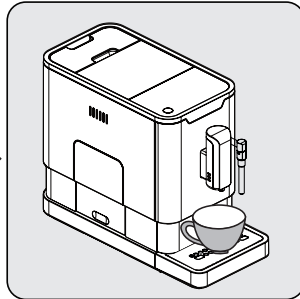
5 Bediening

i Druk op de warm water knop om de binnenzijde van het koffiezetapparaat te reinigen voor het eerste gebruik.

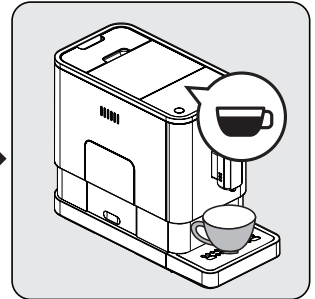
5.3 Uw koffie bereiden



Schakel het apparaat in door te drukken op de Aan/Uit knop. Het apparaat schakelt in in de stand-bymodus en het is klaar voor gebruik door de koffie-uitloop te spoelen met warm water.



Plaats een kopje onder de koffie-uitloop en stel de hoogte van de uitloop bij naargelang het kopje.



Druk op de espressoknop en het lichtje schakelt in. De lampjes wijzen erop dat het apparaat een kopje koffie bereidt. Als het apparaat opnieuw in stand-by staat, kan de koffie worden geseveerd.

i Schakel het apparaat uit door te drukken op de Aan/Uit knop.

i Druk op de sterke of gematigde espresso knop naargelang de gewenste koffiesmaak die u wilt bereiken.

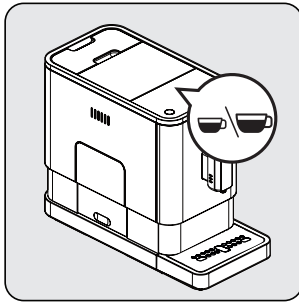
i Druk op de warm water knop om de binnenzijde van het koffiezetapparaat te reinigen voor het eerste gebruik.

i Het apparaat is uitgerust met een automatische uitschakelfunctie. Afhankelijk van de modus die u hebt geselecteerd, heeft het apparaat een verschillende automatische uitschakeltijd timer.

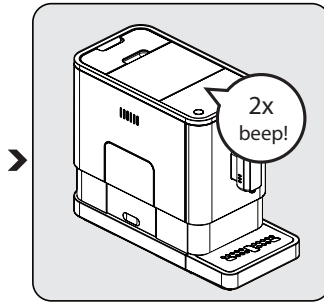
5.4 Het volume regelen van uw koffie/warm water

U kunt uw gewenste koffievolumen opslaan voor zowel sterke en gematigde espresso als voor het warme water van 25ml tot 250ml.

5 Bediening



Wanneer u koffie bereidt (sterke of gematigde espresso), moet u de geselecteerde knop ingedrukt houden. Het apparaat blijft het kopje koffie maken terwijl u de knop ingedrukt houdt.



Wanneer het volume voldoet aan uw gewenste volume moet u de knop loslaten. Wanneer u twee geluidssignalen hoort, wijst dat erop dat het apparaat het gewenste koffievolume heeft opgeslagen.

De standaard/fabrieksinstellingen opnieuw instellen;

Als u de standaardinstellingen van de koffie en warm water volumeselectie die zijn opgeslagen in het geheugen opnieuw wilt instellen, moet u de fabrieksinstellingen terugzetten.

1. Als het apparaat is uitgeschakeld, moet u de interne en externe opvangbakjes verwijderen,
2. Verwijder het deksel,
3. Verwijder de kan,
4. Breng het deksel aan,
5. Druk de Aan/Uit-toets in gedurende 5 seconden (een geluidssignaal weerklinkt 2 maal)
6. Open het deksel,
7. Plaats de kan in het apparaat,
8. Sluit het deksel,
9. Breng het drupbakje aan.

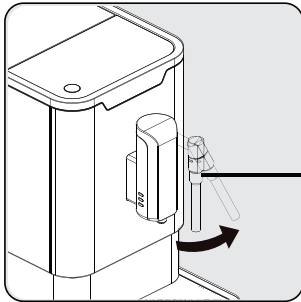
De fabrieksinstellingen zijn teruggezet.

5.5 Schuimende melk bereiden voor de koffie

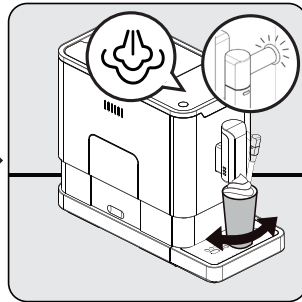


Aangezien de temperatuur van de stoom hoger is dan de temperatuur van de espresso moet deze worden bereid voor u de schuimende melk maakt. Zo niet kan de espresso worden verbrand.

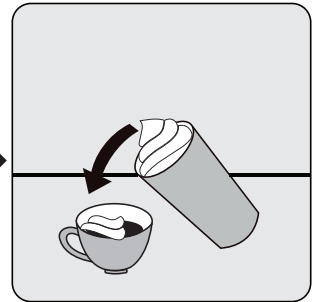
5 Bediening



Espresso koffie bereiden met een grotere kop. Draai het stoompijpje naar het lekbakje.



Druk op de stoomknop. Het stoom controlelampje knippert. Daarna warmt het apparaat op en wordt het resterende water afgevoerd in het lekbakje of een andere container. Wanneer het stoom controlelampje stopt met knipperen en ononderbroken oplicht, plaatst u een container met melk onder het stoompijpje en dompelt u het stoompijpje ongeveer 5cm diep in de container. Draai de container terwijl de hete stoom wordt vrijgegeven.



Giet de warme schuimende melk in de espresso. Nu kunt u genieten van uw kopje koffie!



Na gebruik van het stoompijpje moet u de melkresten reinigen van het pijpje door het pijpje schoon te wrijven met een natte doek.



Het is raadzaam alle melkresten te verwijderen die kan accumuleren op de punt van het pijpje met de warmwaterfunctie van het pijpje.

5.6 Warm water

Het apparaat kan warm water verdelen door op de warm water knop te drukken. De warm water knop en het lampje lichten op wat er op wijst dat het apparaat het water opwarmt. Wanneer de warm water knop en het lampje uitschakelen, kan het water worden geserveerd.

5.7 Modusselectie



Het apparaat heeft drie verschillende instellingen: de standaardinstelling, ECO-modus en de snelheidsmodus. In de ECO-modus bespaart het apparaat meer energie. In de snelheidsmodus kan de gebruiker hun koffie sneller maken dan in de standaardinstelling.

5 Bediening


	ECO modus	Snelheidsmodus	Standaardinstelling
Lampje	Nee	Ja	Ja
Voor-brouwen*	Ja	Nee	Ja
Automatische uitschakeltijd	10 min	30 min	20 min
Kopje volume geheugen	Ja	Ja	Ja



De voorbrouwen functie bevochtigt de gemalen bonen in de brouwer met een kleine hoeveelheid water voor de volledige extractie. Hierdoor zet de gemalen koffie uit om een hogere druk op te bouwen in de brouwer die bijdraagt tot de extractie van alle oliën om de volle smaak van de bonen tot zijn recht te laten komen.

1. Als de machine in stand-by staat, houdt u de  knop 5 seconden ingedrukt.
2. Daarna knippert  en de volgende knop heeft de volgende aanwijzingen voor verschillende instellingen:

	Warm water knop 	Sterke espresso knop 	Gematigde espresso knop 
in de ECO-modus	Lichten aan	Knipperen	Knipperen
In de snelheidsmodus	Ja	Nee	Knipperen
In de standaardinstelling	Knipperen	Knipperen	Lichten aan

3. Druk op de warm water knop in de ECO-modus, sterke espresso knop voor de snelheidsmodus en gematigde espresso knop voor de standaardinstellingen. U zult twee geluidssignalen horen wanneer de modus is geselecteerd. (Opmerking: Als u op de lichten aan knop druk voor elke modus zal het apparaat niet reageren).
4. Als u niet wilt dat de instelling wordt gewijzigd, drukt u opnieuw op  of wacht u 5 seconden tot het apparaat terugkeert naar stand-by.

6.1 Het apparaat reinigen

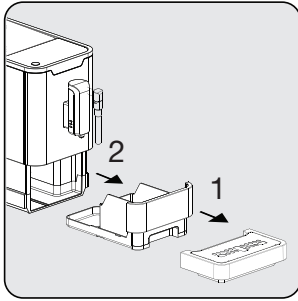
1. Verwijder het netsnoer uit het stopcontact.
2. Giet al het water weg in het interne of externe lekbakje.
3. Gebruik een vochtige doek of niet krassend reinigingsmiddel om de watervlekken te reinigen op het apparaat.



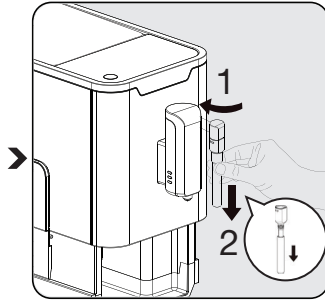
WAARSCHUWING: Gebruik nooit schurende, azijn of ontkalkingsmiddelen die niet worden meegeleverd in de doos om het apparaat te reinigen.

Regelmatig reinigen en onderhoud van het apparaat is zeer belangrijk om de levensduur te verlengen.

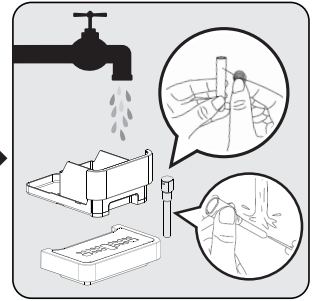
6 Reiniging



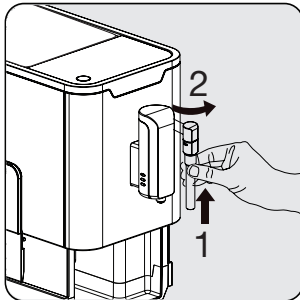
Verwijder het externe lekbakje. Schuif de lade van het intern lekbakje en het gemalen koffiereservoir open.



Verwijder de metalen buis door ze naar beneden te trekken. Ontgrendel daarna de dop van het pijpje door het naar links te draaien om de dop van het pijpje en de metalen buis te demonteren.




Maak het gemalen koffiereservoir en het externe lekbakje leeg. Was de metalen buis met warm stromen water en gebruik de naald of haren van de borstel om de opening te reinigen. Was de dop van het pijpje met warm stromen water en gebruik de naald of haren van de borstel om de opening te reinigen. Droog ze daarna af.

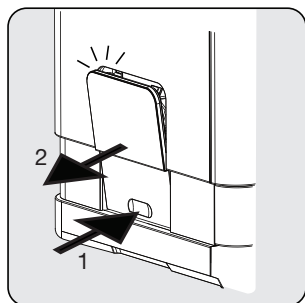


Breng de metalen buis opnieuw aan op de pijpje. Druk ze daarna omhoog om de dop van het pijpje opnieuw aan te brengen. En draai het om het te vergrendelen.

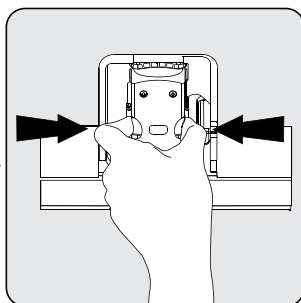


Als  oplicht, moet de container met koffiegruis worden leeggemaakt. Dit pictogram licht op na elke 10 maal dat u koffie zet. Reinig de container om het pictogram te resetten. Als de container schoon is, volstaat het de container te verwijderen en hem opnieuw aan te brengen.

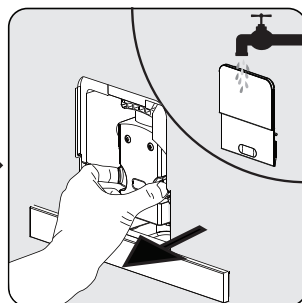
6 Reiniging



Druk op de ontgrendelingszone en het onderhoudsluik wordt geopend. Trek het onderhoudsluik daarna uit.



Druk op de vrijgaveknoppen trek ze uit.



Verwijder de brouwer. Was de brouwer met fris water. Droog daarna de brouwer.



Wanneer ⚠️ oplicht, wijst dit er op dat de brouwer ontbreekt / incorrect is geïnstalleerd. Als ⚠️ knippert, wijst dit er op dat het onderhoudsluik ontbreekt / incorrect is geïnstalleerd.

6.2 Zelfreinigend



WAARSCHUWING: Wacht tot het einde van de zelfreiniging en schakel het apparaat uit.

Als 🔄 knippert wijst dit er op dat een zelfreiniging van het het apparaat moet worden uitgevoerd. Om uw apparaat in optimale omstandigheden te gebruiken, is het raadzaam deze functie ten minste één maal per maand of vaker uit te voeren, afhankelijk van de hardheid van het water dat u gebruikt. U moet ook

1. het waterreservoir volledig vullen.
2. Voeg een pakket reinigingsmiddel, dat is meegeleverd in de doos, toe aan het waterreservoir.






WAARSCHUWING: Gebruik geen azijn of andere reinigingsmiddelen voor de zelfreiniging van dit apparaat. Het reinigingsmiddel kan het apparaat beschadigen.

3. Sluit het apparaat aan.
4. Plaats een voldoende grote container onder de koffie-uitloop en het pijpje.
5. Houd, in stand-by, de ☺ en sterke espresso knop ☹ 5 seconden ingedrukt. U zult een geluidssignaal horen en de sterke espresso knop ☹ begint te knipperen.
6. Druk op de sterke espresso knop om de zelfreiniging te bevestigen. Om terug te keren naar stand-by drukt u op ☺.
7. Als het knippert, wijst dit er op dat het apparaat de zelfreiniging uitvoert.

6 Reiniging








WAARSCHUWING: Houd de huid/het lichaam uit de buurt van heet water.

8. Wanneer al het water is leeggemaakt uit het waterreservoir begint de  en zelfreiniging knop  te knippen. Verwijder alle resterende oplossing uit het waterreservoir en vul het reservoir met normaal kraantjeswater tot de max. positie. Wanneer het reservoir vol is, schakelt  uit. Daarna gaat het apparaat door met de zelfreiniging.
9. Aan het einde van de zelfreiniging schakelt het apparaat automatisch uit.

6.3 Systeem leegmaken functie

Gebruik het systeem leegmaken functie als u apparaat gedurende een lange periode niet zult gebruiken, om het te beschermen tegen vorst en voor u het naar een reparateur brengt.

1. Houd, in stand-by, de  en gematigde espresso knop  5 seconden ingedrukt.
2.  begint te knippen.
3. Verwijder de waterreservoir uit het apparaat.  licht op wat er op wijst dat het systeem wordt leeggemaakt. Druk op  voor u het waterreservoir verwijdert om terug te keren naar stand-by.
4. Aan het einde van de systeem leegmaken functie schakelt het apparaat automatisch uit.



WAARSCHUWING: Aan het einde van de SYSTEEM LEEGMAKEN FUNCTIE; druk op de warm water knop tot het water uit de uitloop stroomt wanneer u het koffiezetapparaat opnieuw gebruikt.

6.4 Handmatig spoelen

U kunt de koffie-uitloop handmatig spoelen na gebruik. Als het apparaat niet is gebruikt gedurende een lange periode, is het een goed idee het apparaat handmatig te spoelen.

1. Houd, in stand-by, de  en warm water knop .
2. De warm water knop , de sterke espresso knop  en de gematigde espresso knop  schakelen uit. De koffie-uitloop verdeelt dan een kleine hoeveelheid water die wordt gebruikt om te spoelen.



WAARSCHUWING: Het water dat uit de koffie-uitloop stroomt is heet en wordt opgevangen in het lekbakje. Vermijd contact met de spatten.

3. Na het spoelen keert het apparaat terug naar stand-by.

6 Reiniging

De automatische reinigingsmodus annuleren

Uw apparaat wordt automatisch gereinigd voor en na elk koffie zetten. U kunt de onderstaande stappen volgen om de automatische reinigingsmodus te annuleren.

- Schakel het apparaat in door de Aan/Uit-schakelaar in te drukken en wacht tot de stand-bypositie inschakelt.
- Open het onderhoudsluik.
- Druk op de Aan/Uit-schakelaar gedurende 5 seconden. U zult een geluidssignaal horen.
- Sluit het onderhoudsluik.
- De automatische reinigingsfunctie is nu geannuleerd.



Wij raden aan de automatische reinigingsmodus regelmatig te gebruiken voor een gezond gebruik van uw apparaat.

7 Probleemoplossen

Probleem	Oorzaak	Oplossing
Het apparaat werkt niet	Het apparaat is verbonden met het elektrisch net.	Steek de stekker in het stopcontact en druk op de schakelaar. Controleer het netsnoer en de stekker.
Geen of vertraagde reactie in meerdere tests van het indrukken van een functie-toets op het paneel.	Het apparaat ondervindt elektromagnetische storingen. Vuil op het paneel.	Verwijder de stekker uit het stopcontact. Start het apparaat opnieuw na een aantal minuten. Reinig het paneel met de geleverde doek.
De koffie is onvoldoende warm.	De kopjes werden niet voorverwarmd. De brouweenheid is te koud.	Warm uw kopje op met de stoomfunctie voor u koffie brouwt of spoel het kopje met warm water? Zorg ervoor dat het water in het waterreservoir niet te koud is.
De koffie komt niet uit de uitloop.	De systeem leegmaken functie is mogelijk eerder gebruikt. De koffie-uitloop is mogelijk niet gereinigd en geblokkeerd met gemalen koffie.	Druk op de warm water knop tot het water uit de uitloop stroomt. Reinig de koffie-uitloop.
De eerste kop koffie is van slechte kwaliteit.	De eerste werking van de molen giet een onvoldoende hoeveelheid koffie in de brouweenheid.	Gooi de koffie weg. De volgende kopjes zullen beter zijn.
Het waterreservoir is verwijderd / het waterniveau is zeer laag in het waterreservoir maar  er verschijnt geen waarschuwing.	De zone rond de aansluiting van het waterreservoir is nat.	Verwijder het water rond de aansluiting van het waterreservoir.
Er is veel water aanwezig in het interne lekbakje.	De gemalen koffie is te fijn en blokkeert de doorstroming van het water.	Regel de fijnheid van de koffie tot grotere korrels tijdens het malen.
De koffie wordt te langzaam geleverd of een druppel per keer.	De gemalen koffie is te fijn en dit blokkeert de doorstroming van het water.	Regel de fijnheid van de koffie tot grotere korrels tijdens het malen.
Het controlelampje knippert wat er op wijst dat er onvoldoende koffiebonen zijn, maar meer dan voldoende in het reservoir.	De interne uitlaat van de gemalen koffie is geblokkeerd.	Volg de stappen beschreven in Uitlaat voor gemalen koffie reinigen.
De brouwer of de gemalen koffielade kan niet worden verwijderd.	Het apparaat heeft de zelfreiniging niet voltooid en werd uitgeschakeld.	Schakel het apparaat opnieuw aan en laat het de zelfreiniging voltooiën.
Het apparaat voert de spoelcyclus niet meer uit als het wordt in- of uitgeschakeld.	Een incorrecte hantering tijdens het onderhoud van het apparaat kan de oorzaak zijn.	1. Als het apparaat is ingeschakeld, moet u het onderhoudsluik verwijderen. 2. Houd de Aan/uit-knop ingedrukt tot u twee piepsignalen hoort. 3. Breng het onderhoudsluik opnieuw aan.
De aanraaktoetsen zijn niet gevoelig.	Druk niet op de aanraaktoets vooraan op het apparaat.	Druk op het onderste deel van het pictogram van de aanraaktoets vooraan op het apparaat.

7 استكشاف الأخطاء وإصلاحها

الحل	السبب	المشكلة
قم بتوصيله واضغط على المفتاح. تحقق من الكبل والقابس.	الجهاز غير متصل بالتيار الكهربائي.	الجهاز لا يعمل.
انزع الجهاز من الكهرباء. أعد التشغيل بعد بضع دقائق، نظف اللوحة بقطعة القماش المرفقة.	الجهاز تحت تدخال كهرومغناطيسي. يوجد أوساخ على اللوحة.	لا توجد استجابة أو تأخر في عدة تجارب للضغط على مفتاح وظيفي باللوحة
قم بتسخين الكوب باستخدام وظيفة البخار قبل تحضير القهوة أو شطف الكوب بالماء الساخن. تأكد من أن الماء في خزان المياه ليس بارداً جداً.	لم يتم تسخين الكؤوس. وحدة التخمير باردة جداً.	القهوة ليست ساخنة بدرجة كافية.
اضغط على زر الماء الساخن حتى يخرج الماء من الفوهة. قم بتنظيف صنوبر القهوة.	ربما تم استخدام وظيفة النظام الفارغ من قبل. ربما لم يتم تنظيف صنوبر القهوة وتم انسدها بسبب بقايا القهوة.	لا تخرج القهوة من الفوهة.
تخلص من القهوة. الأكوام التالية ستكون أفضل.	لا تسكب المطحنة الأولى كمية كافية من القهوة في وحدة التخمير.	فجان القهوة الأول رديء الجودة.
امسح الماء حول موصل خزان المياه.	المنطقة القريبة من موصل خزان المياه رطبة.	تمت إزالة خزان المياه / مستوى المياه منخفض جداً في خزان المياه ولكن لا يوجد تنبيه.
اضبط درجة نقاء القهوة على نقطة أكبر أثناء تشغيل المطحنة.	البن المطحون ناعم جداً، مما يمنع الماء من الخروج.	يتملى إناء التنقيط الداخلي بالكثير من الماء.
اضبط درجة نقاء القهوة على نقطة أكبر أثناء تشغيل المطحنة.	البن المطحون ناعم جداً، مما يمنع الماء من الخروج.	تخرج القهوة ببطء شديد.
اتبع الخطوات الموضحة لتنظيف مخرج القهوة المطحونة.	منفذ القهوة الداخلي مسدود.	يومض المؤشر أنه لا يوجد ما يكفي من حبوب البن، ولكن هناك الكثير داخل الوعاء.
يرجى تشغيل الجهاز مرة أخرى والسماح له بإنهاء عملية التنظيف التلقائي.	لم يُنهي الجهاز عملية التنظيف الذاتي وتم إيقاف تشغيله.	من المستحيل إزالة المخمر أو إناء القهوة المطحونة.
1. عندما يكون الجهاز قيد التشغيل، قم بإزالة باب الخدمة. 2. اضغط باستمرار على زر التشغيل / الإيقاف حتى تسمع صوتين. 3. استبدل باب الخدمة.	قد يكون التعامل غير السليم أثناء صيانة الجهاز هو السبب.	لم يعد الجهاز يقوم بدورة الشطف عند تشغيله أو إيقاف تشغيله.
اضغط على الجزء السفلي السفلي من أيقونة زر اللمس من الاتجاه الأمامي للجهاز.	عدم الضغط على زر اللمس من الاتجاه الأمامي للجهاز.	أزرار اللمس ليست حساسة.

إلغاء وضع التنظيف التلقائي

ينظف جهازك نفسه تلقائيًا قبل وبعد كل عملية تخمير. ولكن يمكنك اتباع الخطوات الموضحة أدناه لإلغاء وضع التنظيف التلقائي

شغلّ الجهاز بالضغط على مفتاح التشغيل - إيقاف التشغيل وانتظر لحين تشغيله في وضع الاستعداد *

افتح غطاء الخدمة *

اضغط على مفتاح التشغيل - إيقاف التشغيل لمدة 5 ثوان. وسوف تسمع صوت صفارة *

أغلق غطاء الخدمة *

الآن. يكون تم إلغاء عملية التنظيف التلقائي *

ملحوظة: نوصيك باستخدام وضع التنظيف التلقائي بفعالية لضمان التشغيل الصحي

أغلق غطاء الخدمة *

الآن. يكون تم إلغاء عملية التنظيف التلقائي *




نوصيك باستخدام وضع التنظيف التلقائي بفعالية لضمان التشغيل الصحي



7. إذا كان يومض، فهذا يشير إلى أن الجهاز يقوم بالتنظيف الذاتي.


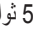
تحذير: أبعد الجلد / الجسم بعيداً عن الماء الساخن.






8. عندما يتم إفراغ كل المياه الموجودة في خزان المياه، سيومض  وزر التنظيف الذاتي . قم بإزالة كل المحلول المتبقي في خزان المياه وأملأ الخزان بماء الصنبور العادي حتى الحد الأقصى. عندما يمتلئ الخزان، سيحتفي . ثم سيواصل الجهاز عملية التنظيف الذاتي.
9. عند اكتمال عملية التنظيف الذاتي، سيتم إيقاف تشغيل الجهاز تلقائياً.

6.3 وظيفة النظام الفارغة

استخدم وظيفة النظام الفارغة قبل فترة طويلة من عدم الاستخدام، للحماية من الصقيع، وقبل التحدث إلى وكيل الإصلاح.

1. في حالة الاستعداد، اضغط مع الاستمرار على  وزر الإسبريسو الخفيف  معاً لمدة 5 ثوانٍ.

2. سيبدأ  بعد ذلك في الوميض.

3. قم بإزالة خزان المياه من الجهاز. سيضيء  مشيراً إلى استمرار النظام الفارغ. اضغط على  قبل إزالة خزان المياه للعودة إلى وضع الاستعداد.

4. عند اكتمال وظيفة النظام الفارغ، سيتم إيقاف تشغيل الجهاز تلقائياً.


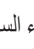

تحذير: بعد أداء وظيفة النظام الفارغ؛ اضغط على زر الماء الساخن حتى يخرج الماء من الفوهة عند إعادة استخدام جهاز تحضير القهوة مرة أخرى.



6.4 الشطف اليدوي

يمكنك الشطف يدوياً لتنظيف فوهة القهوة بعد الاستخدام. إذا لم يتم استخدام الجهاز لفترة طويلة، فقد يكون الشطف اليدوي فكرة جيدة.

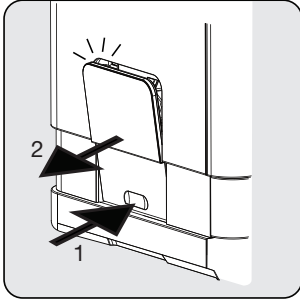
1. في وضع الاستعداد، اضغط على باستمرار على  وزر الماء الساخن  معاً.

2. ثم بختفي زر الماء الساخن  وزر الإسبريسو القوي  وزر الإسبريسو الخفيف . ستقوم فوهة القهوة بعد ذلك بتوزيع كمية صغيرة من الماء الذي يستخدم للشطف.

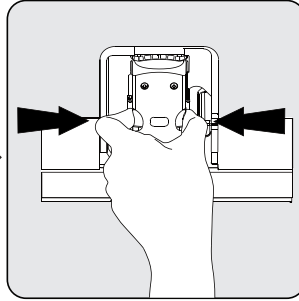
تحذير: الماء الذي يخرج من فوهة القهوة ساخن ويتم تجميعه في إناء التقطير تحتها. تجنب ملامسته لأنه يتناثر.



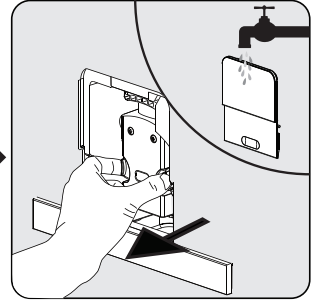
3. بعد الشطف، سيعود الجهاز إلى وضع الاستعداد.



اضغط على منطفة الفتح، سيظهر باب الخدمة. ثم اسحب باب الخدمة.



اضغط على مقابض التحرير واسحب للخارج.



قم بإزالة المخمر. اغسل المخمر بالماء العذب. جفف المخمر بعد ذلك.

عندما يضيء **!**، فهذا يشير إلى أن المخمر غير موجود/ مثبت بشكل غير صحيح. عندما يومض **!**، فهذا يشير إلى أن باب الخدمة غير موجود/ مثبت بشكل غير صحيح.

i

6.2 التنظيف الذاتي

تحذير: يرجى الانتظار لإنهاء عملية التنظيف الذاتي ثم إيقاف تشغيل الجهاز.



عندما يومض **!**، فهذا يشير إلى أن الجهاز يحتاج إلى التنظيف الذاتي. سبزل الجهاز في أفضل حالة إذا تم تنفيذ هذه الوظيفة مرة واحدة على الأقل شهرياً أو أكثر بانتظام حسب درجة عسر الماء المستخدم. يجب عليك أيضاً

1. املاً خزان المياه بالكامل.

تحذير: لا تستخدم الخل أو عوامل التنظيف الأخرى للتنظيف الذاتي لهذا الجهاز. قد تؤدي مواد التنظيف إلى تلف الجهاز.



2. أضف عبوة واحدة من المنظف الموجود في العلبة إلى خزان المياه.

3. قم بتوصيل الجهاز.

4. ضع وعاءً كبيراً بدرجة كافية تحت فوهة وصنبور القهوة.

5. في وضع الاستعداد، اضغط مع الاستمرار على **!** و زر الإسبريسو القوي **!** لمدة 5 ثوانٍ. ستسمع صفيراً وسيومض زر الإسبريسو القوي **!**.

6. اضغط على زر الإسبريسو القوي لتأكيد عملية التنظيف الذاتي. للعودة إلى وضع الاستعداد، اضغط على **!**.

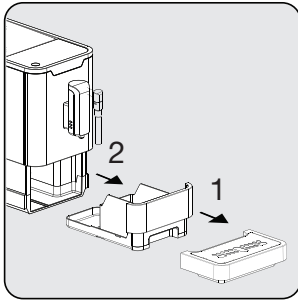
6.1 تنظيف الجهاز

1. افصل سلك الطاقة من مأخذ التيار الكهربائي.
2. اسكب كل الماء في إناء التنقيط الداخلي والخارجي.
3. استخدم قطعة قماش مبللة أو منظف لا يسبب الخدش لتنظيف بقع الماء على الجهاز.

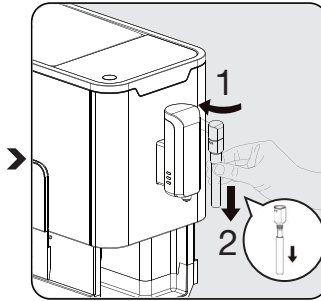
تحذير: لا تستخدم أبداً أي مواد كاشطة أو خل أو عوامل إزالة الترسبات غير المدرجة في الصندوق لتنظيف الجهاز.



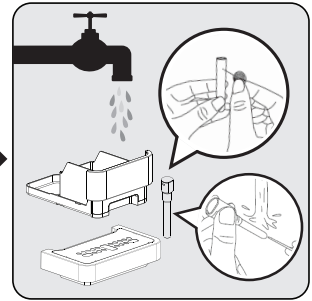
يعد تنظيف الجهاز وصيانته في الوقت المناسب أمراً مهماً للغاية لإطالة عمره.



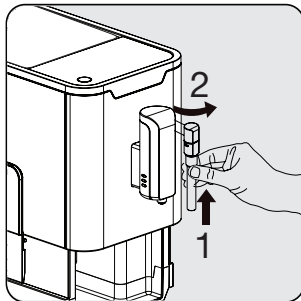
قم بإزالة إناء التنقيط الخارجي. افتح إناء التنقيط الداخلي ووعاء القهوة المطحونة.



قم بإزالة الأنبوب المعنني عن طريق سحبه للأسفل. ثم افتح غطاء الفوهة بتدويره إلى اليسار لتفكيك غطاء الفوهة والأنبوب المعنني.



أفرغ وعاء القهوة المطحونة وإناء التنقيط الخارجي. اغسل الأنبوب المعنني بالماء الجاري الدافئ واستخدم إبرة أو فرشاة لتنظيف الفتحة. اغسل غطاء الفوهة بالماء الجاري الدافئ واستخدم إبرة أو فرشاة لتنظيف الفتحة. جففهم بعد ذلك.



قم بتركيب الأنبوب المعنني مرة أخرى في غطاء الفوهة. ثم ادفع لأعلى لوضع غطاء الفوهة في الخلف. وأدره إلى اليمين لقفله.

عندما يضيء الرمز يجب إفراغ حاوية البن المطحون. وسيضيئ هذا الرمز بعد كل 10 مرات من تخمير البن. وعندئذ، نظّف الحاوية لإعادة تعيين الرمز. إذا كانت الحاوية نظيفة، فسيكون من الكافي إزالة الحاوية ثم إعادة وضعها في مكانها.



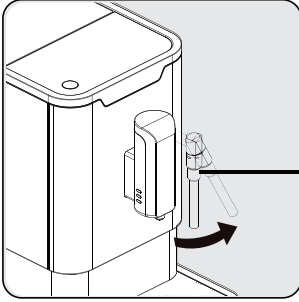
5 التشغيل

2. سيومض (⓪) بعد ذلك وسيحتوي الزر التالي على المؤشرات التالية لإعدادات مختلفة:

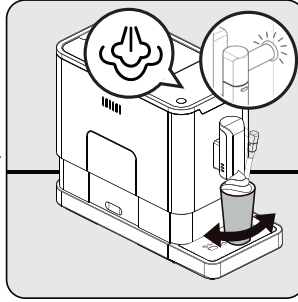
زر إسبريسو خفيف 	زر إسبريسو قوي 	زر الماء الساخن 	
الوميض	الوميض	تشغيل الضوء	في وضع ECO
الوميض	لا	نعم	في وضع السرعة
تشغيل الضوء	الوميض	الوميض	في الإعداد الافتراضي

3. اضغط على زر الماء الساخن لوضع ECO، و زر الإسبريسو القوي لوضع السرعة و زر الإسبريسو المعتدل للإعدادات الافتراضية. ستسمع صوتين عند تحديد الوضع. (ملاحظة: إذا كنت تضغط على زر تشغيل الأضواء لكل وضع، فلن يستجيب الجهاز).

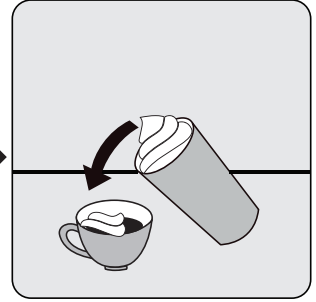
4. إذا كنت ترغب في أن يظل الإعداد دون تغيير، فاضغط مرة أخرى على (⓪) أو انتظر لمدة 5 ثوانٍ حتى يعود الجهاز إلى حالة الاستعداد.



حضر قهوة الإسبريسو بكوب أكبر. أدر فوهة البخار باتجاه إنباء التنقيط.



اضغط على زر البخار. سيومض ضوء مؤشر البخار. ثم يسخن الجهاز ويصرف الماء المتبقي في إنباء التنقيط أو إنباء آخر. بعد أن يتوقف ضوء مؤشر البخار عن الوميض ويبقى ثابتاً، ضع وعاءاً به حليب تحت فوهة البخار واعمر فوهة البخار بعمق 5 سم في الوعاء. قم بتدوير الوعاء أثناء خروج البخار الساخن.



صب الحليب الساخن الرغوي على الإسبريسو. الآن يمكنك الاستمتاع بقهوتك!

بعد استخدام فوهة البخار، يرجى تنظيف الفوهة من بقايا الحليب عن طريق مسح الفوهة بقطعة قماش مبللة.



يوصى بإزالة أي بقايا حليب قد تتراكم عند طرف الفوهة عن طريق تنشيط وظيفة الماء الساخن من الفوهة.



5.6 الماء الساخن

يمكن للجهاز توزيع الماء الساخن ببساطة عن طريق الضغط على زر الماء الساخن. يشير زر الماء الساخن والإضاءة إلى أن الجهاز يقوم بتسخين المياه. عندما ينطفئ زر الماء الساخن والإضاءة، يكون الماء جاهزاً للتقديم.

5.7 تحديد الوضع

يحتوي الجهاز على ثلاثة إعدادات مختلفة: الإعداد الافتراضي ووضع ECO ووضع السرعة. في وضع ECO، يوفر الجهاز المزيد من الطاقة. في وضع السرعة، يمكن للمستخدم تحضير قهوته بشكل أسرع من الإعداد الافتراضي.

الإعداد الافتراضي	وضع السرعة	وضع ECO	
نعم	نعم	لا	ضوء الإضاءة
نعم	لا	نعم	تخمير مسبق*
20 دقيقة	30 دقيقة	10 دقائق	وقت الإغلاق التلقائي
نعم	نعم	نعم	ذاكرة حجم الكوب

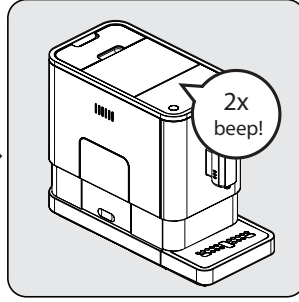
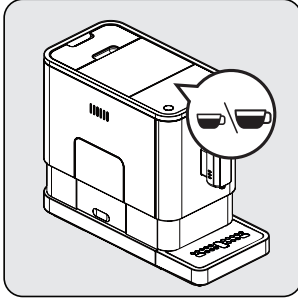
تعمل وظيفة التخمير المسبق على ترطيب الحبوب المطحونة في المخمر بكمية صغيرة من الماء قبل الاستخراج الكامل. يعمل هذا على توسيع حبيبات القهوة لبناء ضغط أكبر في المخمر، مما يساعد على استخراج جميع الزيوت وإخراج النكهة الكاملة للحبوب.



1. عندما يكون الجهاز في وضع الاستعداد، اضغط باستمرار على (⏻) لمدة 5 ثوانٍ.

5.4 ضبط حجم قهوتك / الماء الساخن

يمكنك توفير الحجم الذي تريده من القهوة لكل من الإسبرسو القوي والإسبريسو الخفيف وكذلك الماء الساخن من 25 مل إلى 250 مل.



عند تحضير قهوتك (سواء أكان إسبريسو قوي أو إسبريسو خفيف) اضغط باستمرار على الزر الذي حددته، سيستمر الجهاز في تحضير فجان القهوة أثناء الضغط على الزر.

عندما يصل حجم القهوة إلى الحجم المطلوب، اترك الزر. إذا سمعت صوتين، فهذا يشير إلى أن الجهاز قد وفر كمية القهوة التي تفضلها.

إعادة التعيين إلى الإعدادات الافتراضية / إعدادات المصنع؛

لإعادة التعيين إلى الإعدادات الافتراضية لتحديد كمية القهوة ومقدار الماء الساخن المسجل في الذاكرة، يلزم إعادة التعيين إلى إعدادات المصنع.

1. عند إيقاف تشغيل الجهاز: أزل أوعية التنقيط الداخلية والخارجية.
 2. أزل غطاء الخدمة.
 3. أزل الدورق.
 4. ضع غطاء الخدمة.
 5. اضغط لأسفل على مفتاح التشغيل/إيقاف التشغيل لمدة 5 ثوانٍ (يصدر صوت صافرة مرتين)
 6. افتح غطاء الخدمة.
 7. ضع الدورق.
 8. أغلق غطاء الخدمة.
 9. ضع صينية التنقيط.
- تمت إعادة التعيين إلى إعدادات المصنع.

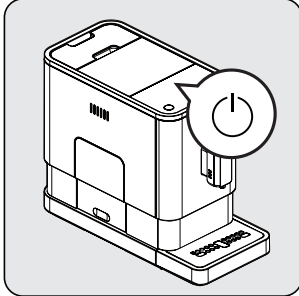
5.5 تحضير الحليب الرغوي للقهوة

نظرًا لأن درجة حرارة البخار أعلى من درجة حرارة الإسبريسو، يجب تحضير الإسبريسو قبل تحضير الحليب الرغوي. وإلا فقد يحترق الإسبريسو.

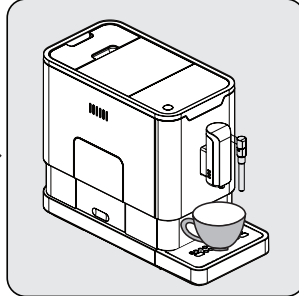
اضغط على زر الماء الساخن لتنظيف الجزء الداخلي قبل الاستخدام لأول مرة.



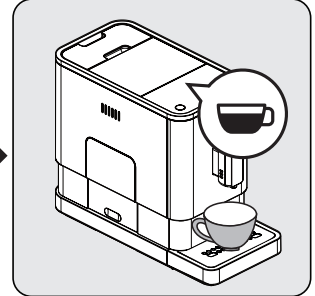
5.3 تحضير قهوتك



قم بتشغيل الجهاز بالضغط على زر التشغيل / الإيقاف. يتم تشغيل الجهاز في وضع الاستعداد وسيكون جاهزًا للاستخدام عن طريق تدفق بعض الماء الساخن من صنبور القهوة.



ضع كوبًا تحت صنبور القهوة واضبط ارتفاع الفوهة بما يتناسب مع الكوب.



اضغط على زر الإسبريسو وسوف يضيء الضوء، حيث تشير الأضواء إلى أن الجهاز يقوم بتحضير فنجان قهوة. عندما يعود الجهاز إلى وضع الاستعداد، تكون القهوة جاهزة للتقديم.

قم بإيقاف تشغيل الجهاز بالضغط على زر التشغيل / الإيقاف.



اضغط على زر الإسبريسو القوي أو زر الإسبريسو الخفيف حسب طعم القهوة الذي تفضله.



اضغط على زر الماء الساخن لتنظيف الجزء الداخلي قبل الاستخدام لأول مرة.

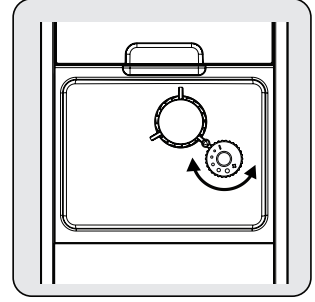


الجهاز مزود بإغلاق تلقائي. اعتمادًا على الوضع الذي حددته، سيكون للجهاز توقيت إيقاف تلقائي مختلف.



5.1 ضبط الطحن

يمكنك ضبط المطحنة لتناسب تحميص قهوتك عن طريق تدوير مقبض الضبط في وعاء الحبوب:




تحذير: لا تقم أبدًا بضبط المطحنة عندما تكون قيد الاستخدام.

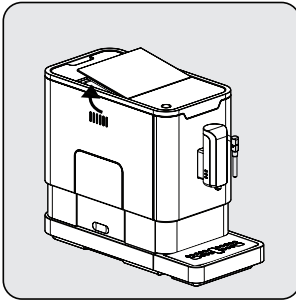


تشير النقاط الموجودة على مقبض الضبط إلى رقة الطحن.

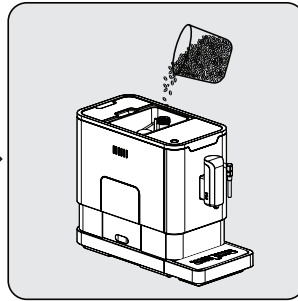


5.2 ملء وعاء حبوب البن

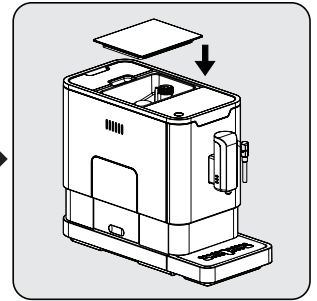
عندما يومض ، يجب ملء الجهاز بحبوب القهوة.



قم بإزالة غطاء وعاء الحبوب.



اسكب حبوب القهوة ببطء.



ضع غطاء الوعاء للخلف.

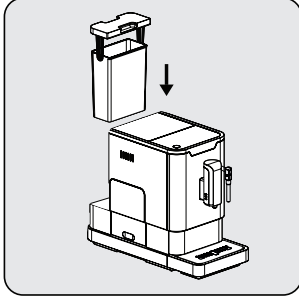
تحذير: املأ وعاء حبوب القهوة بحبوب القهوة ببطء فقط. قد يؤدي البن المطحون أو القهوة سريعة الذوبان أو القهوة بالكراميل أو أي أشياء أخرى إلى تلف الجهاز.



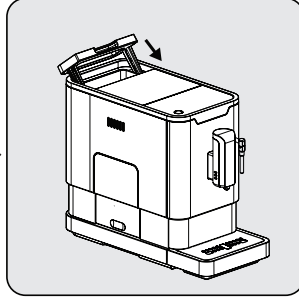
لمنع فيض المياه من الخزان ، لا تتم بإضافة الماء مباشرة إلى الجهاز باستخدام وعاء آخر.



تحذير: لا تتم أبدًا بملء خزان المياه بالماء الدافئ أو الساخن أو الماء الفوار أو أي سائل آخر قد يؤدي إلى تلف خزان المياه والجهاز.



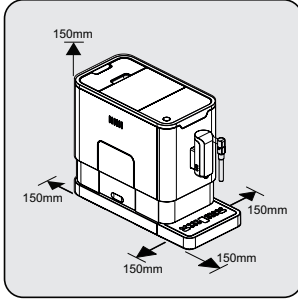
ضع خزان المياه مرة أخرى باستخدام الغطاء كمنقبض.



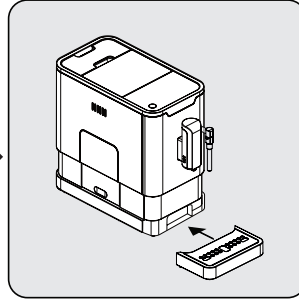
أغلق خزان المياه باستخدام الغطاء.

قم بإزالة أي أغشية واقية وملصقات وأي مواد تغليف أخرى على الجهاز.

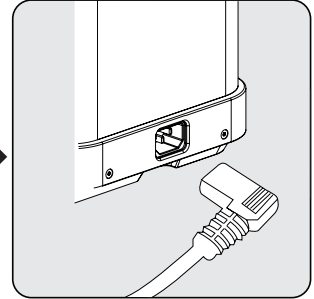
i



اختر سطحًا آمنًا ومستقرًا مزودًا بمصدر طاقة يمكن الوصول إليه بسهولة واترك مسافة أقل من جوانب الماكينات.



أدخل إزاء التنقيط الخارجي. تأكد من إدخاله بشكل صحيح.




قم بفك وشد سلك الطاقة وإدخال القابس في المقبس الموجود في الجزء الخلفي من الجهاز. أدخل الطرف الآخر من سلك الطاقة في مقبس الحائط بجهد طاقة مناسب.

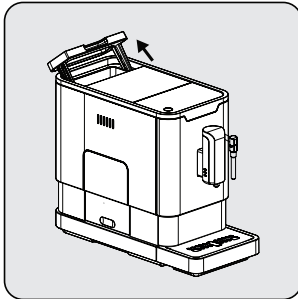
4.2 تعبئة خزان المياه

حول برنامج الحماية: إذا لم يتم وضع خزان المياه بالكامل في الماكينة، فسيتم تنشيط وضع الحماية خلال 15 ثانية أثناء عملية التخمير. سيضيء زر الماء الساخن على لوحة التحكم.

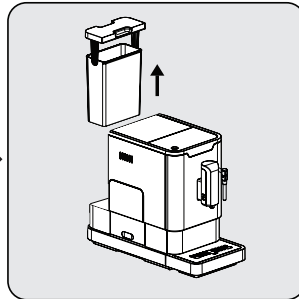
1. تأكد من إدخال خزان المياه بالكامل في الماكينة.
2. اضغط على زر الماء الساخن. بعد توزيع الماء الساخن، ستكون الماكينة في وضع الاستعداد.



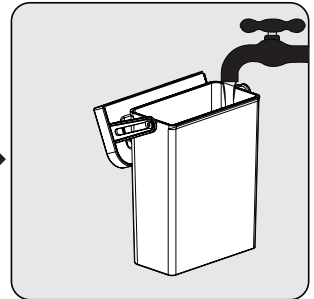
تحذير: عندما يومض ، يكون خزان المياه عند مستوى منخفض من الماء ويتطلب التعبئة.



ارفع خزان المياه باستخدام الغطاء كمقبض.



أخرج خزان الماء.

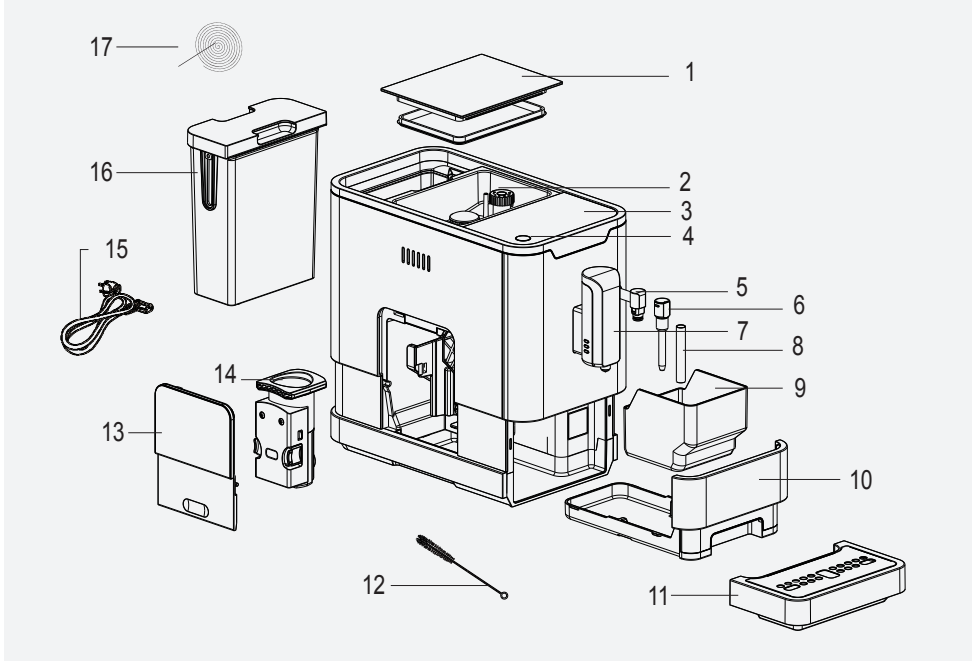


اشطف خزان المياه بالمياه العذبة ثم املا الخزان إلى أقصى مستوى وضعه مرة أخرى في الجهاز. تأكد من إدخاله بالكامل.

3.1 لوحة التحكم

وميض: مستوى الماء منخفض / خزان المياه غير موجود	
حبوب البن غير كافية	
ضوء تحذير ثابت: إناء نفل القهوة ممتلئ وميض الضوء: إناء التنقيط الداخلي / وعاء نفل القهوة غير موجود	
ضوء تحذير ثابت: المخمر غير موجود / تم تركيبه بشكل غير صحيح وميض الضوء: تم فتح / تركيب باب الخدمة بشكل غير صحيح	
ضوء تحذير ثابت: يجب إزالة الترسبات وميض الضوء: جاري إزالة الترسبات	
تعمل وظيفة النظام الفارغة	
زر التشغيل/الإيقاف	
زر البخار	
زر الماء الساخن	
زر إسبريسو قوي (25-40 مل قهوة بضغط واحدة على الزر)	
زر إسبريسو خفيف (51-69 مل قهوة بضغط واحدة على الزر)	

2 ماكينة تحضير القهوة الأوتوماتيكية بالكامل



1. غطاء وعاء حبوب البن
2. وعاء حبوب البن
3. لوحة التحكم
4. زر التشغيل/الإيقاف
5. فوهة بخار
6. غطاء الفوهة
7. صنوبر قهوة قابل للتعديل
8. أنبوب معدني
9. وعاء ثقل القهوة
10. إناء تنقيط داخلي
11. إناء تنقيط خارجي
12. فرشاة تنظيف
13. باب الخدمة
14. المخمر
15. سلك الطاقة
16. خزان الماء
17. إبرة التنظيف

البيانات التقنية

إمداد الطاقة:

220-240 فولت ~ ، 50-60 هرتز

الطاقة: 1350 وات

التعديلات الفنية والتصميمية محفوظة.

ناروشنملا إلى عو جتنملا إلى عو أنلعملا ميقلأ عييجل لوصلا مّ
دق .تلصلا تاذر يباعملا أقو ًمير بتخملا تاسايقلأ ءارجل دعب ءوبملا
ًطليخملا فورظلاو ما دختسلأا بسج ميقلأ مّذف فالتخت.

1 تعليمات هامة للسلامة والبيئة

• 1.4 الاستخدام المقصود

ماكينة القهوة Beko الآلية بالكامل مخصصة للاستخدام المنزلي أو الاستخدامات المشابهة، مثل مطابخ الموظفين، والمحلات التجارية، والمكاتب، والمناطق المشابهة، أو الاستخدام بواسطة العملاء في أماكن النوم والإفطار، والفنادق، ونزل الإقامة، وأماكن الإقامة الأخرى. ماكينة القهوة غير معدة للاستخدام التجاري. الماكينة مخصصة فقط لتحضير القهوة وتسخين الحليب والماء. يدخل أي استخدام آخر بخلاف الاستخدامات السابق ذكرها في نطاق الاستخدامات غير الملائمة.

!الخطر الناتج عن الاستخدام غير الملائم

في حالة استخدام ماكينة القهوة في غير الغرض المخصص لها بأي طريقة من الطرق، قد تمثل أو تصبح مصدراً للخطر.

تحذير: وبالتالي يجب عدم استخدام ماكينة القهوة إلا للغرض المخصص لها.



تحذير: يجب مراعاة الإجراءات المذكورة في هذا الدليل.



لن يتم قبول أي مطالبات من أي نوع بخصوص الأضرار أو الإصابات الناتجة عن استخدام ماكينة القهوة في غرض آخر بخلاف الغرض المخصص لها. حيث يجب أن يتحمل مالك الماكينة وحده هذا الخطر.

1.5 تحديد المسؤولية

جميع المعلومات الفنية، والبيانات، والتعليمات المتعلقة بتركيب وتشغيل وصيانة ماكينة القهوة الواردة في تعليمات التشغيل هذه تمثل الحالة الحالية في وقت الطباعة، وتستند إلى أفضل معرفة ممكنة مكتسبة عبر الخبرة والدراية.

لا يمكن استناد أي مطالبات إلى المعلومات والرسوم التوضيحية والأوصاف الواردة في هذا الدليل.

لا تتحمل جهة التصنيع أية مسؤولية عن الضرر أو الإصابة الناتجة عن عدم مراعاة دليل المستخدم، أو الاستخدام لغير الغرض المخصص، أو أعمال الإصلاح غير الاحترافية، أو التعديلات غير المصرح بها، أو استخدام قطع غيار غير معتمدة.

1.6 الالتزام بالتشريعات الخاصة بنفايات

المعدات الكهربائية والإلكترونية والتخلص من نفايات المنتجات:

يتوافق هذا المنتج مع التشريعات الخاصة بنفايات المعدات الكهربائية والإلكترونية للاتحاد الأوروبي (2012/19/EU). يحمل هذا المنتج رمزاً تصنيفياً لنفايات المعدات الكهربائية والإلكترونية (WEEE).

تم تصنيع الجهاز من أجزاء ومواد عالية الجودة يمكن إعادة استخدامها وهي مناسبة لإعادة التدوير. لا تتخلص من المنتج الذي تنوي التخلص منه مع النفايات المنزلية أو غيرها من النفايات في نهاية فترة استخدامه. بل عليك أخذه إلى مركز التجميع لإعادة تدوير الأجهزة الكهربائية والإلكترونية. يرجى استشارة السلطات المحلية لديك لمعرفة مراكز التجميع هذه.



1.7 التوافق مع توجيه RoHS

المنتج الذي اشتريته متوافق مع توجيه الاتحاد الأوروبي RoHS (2011/65/EU). هذا المنتج لا يحتوي على مواد مؤذية أو محظورة من تلك المشار إليها في التوجيه.

1.8 معلومات التعبئة

تم تصنيع مواد التعبئة للمنتج من مواد قابلة لإعادة التدوير وفقاً لتشريعات البيئة الوطنية لدينا. لا تتخلص من مواد التعبئة مع النفايات المنزلية أو غيرها من النفايات. خذها إلى نقاط تجميع مواد التعبئة المخصصة التابعة للسلطات المحلية.



1 تعليمات هامة للسلامة والبيئة

- تجنب الضغط على سلك الطاقة أو ثنيه (الملء).
- لا تشغل الماكينة إلا أثناء تركيب حاوية النفايات، وصينية التقطير، وشبكة الأكواب.
- لا تسحب الكابل لإزالة القابس من مقبس التيار الكهربائي، ولا تلمسه بأيدي مبتلة.
- لا تحمل ماكينة القهوة من خلال كابل التيار الكهربائي.
- حافظ على الجهاز مع الكابل الخاص به بعيداً عن متناول أيدي الأطفال الأصغر من ٨ أعوام.
- لا يمكن استخدام الجهاز سوى لإعداد القهوة.
- يجب مراقبة الأطفال للتأكد من عدم عبثهم بالجهاز.
- افصل الجهاز قبل كل عملية تنظيف وعندما لا يكون قيد الاستخدام.
- ضع الجهاز بوضعية ينسنى من خلالها الوصول إلى القابس بسهولة دوّمًا.
- استخدم الجهاز دوّمًا على سطح ثابت ومسطح ونظيف وجاف ومانع للانزلاق.
- الجهاز ليس ماكينة إعداد قهوة مدمجة وغير مصمم للاستخدام في الخزانة. ينبغي عدم وضع ماكينة إعداد القهوة في الخزانة أثناء استخدامها.
- تجنب الضغط على سلك الطاقة أو ثنيه ولا تفركه على الحواف الحادة لتفادي حدوث أي تلف. احتفظ بسلك الطاقة بعيداً عن الأسطح الساخنة وألسنة اللهب المكشوف.
- ينبغي أن يتوافق مصدر إمداد الطاقة الرئيسي بجهازك مع المعلومات الواردة على لوحة التصنيف الخاصة بالجهاز.
- يُحظر استخدام الجهاز سوى مع منفذ مؤرض.
- لا تستخدم الجهاز بسلك تطويل.
- لا تلمس الجهاز أو قابسه وبديك مبتلتين أو رطبتين عند توصيله.

1 تعليمات هامة للسلامة والبيئة

- في حالة تلف كابل التوصيل، يجب عدم استبداله إلا بمعرفة أحد وكلاء الخدمة الموصى بهم من قبل جهة التصنيع لتجنب أي خطر! يُرجى الاتصال بجهة التصنيع أو خدمة العملاء التابعة لها.
- يجب عدم إجراء أعمال إصلاح ماكينة القهوة إلا بمعرفة أحد المتخصصين المعتمدين أو بمعرفة خدمة العملاء المختصة بأعمال الإصلاح. حيث قد تؤدي أعمال الإصلاح غير المؤهلة إلى تعرض المستخدم إلى خطر بالغ. كما أنها ستؤدي إلى إبطال الضمان.
- لا يُسمح بإجراء أعمال إصلاح ماكينة القهوة أثناء فترة الضمان إلا بمعرفة مراكز الخدمة المعتمدة من جهة التصنيع. وإلا فسيبطل الضمان في حالة التلف اللاحق.
- يجب عدم استبدال القطع المعيبة إلا بقطع غيار أصلية. حيث إن قطع الغيار الأصلية هي فقط التي تضمن تلبية متطلبات السلامة.
- يمكن استخدام هذا الجهاز بواسطة الأطفال الذين لا تقل أعمارهم عن ٨ سنوات، وكذلك بواسطة الأشخاص محدودي القدرات البدنية أو الحسية أو الذهنية، أو محدودي الخبرة و/أو المعرفة. بشرط توافر الإشراف لهؤلاء الأشخاص، أو توجيههم بشأن كيفية استخدام الجهاز
- بطريقة آمنة، وإدراكهم للأخطار التي قد تنشأ عن استخدامه. لا يجوز للأطفال اللعب بالجهاز. لا يجوز إجراء التنظيف والصيانة من قبل أطفال يقل عمرهم عن ٨ أعوام فيما فوق، بدون رقابة عليهم.
- هذا الجهاز مُعد للاستخدام المنزلي والاستخدامات المشابهة مثل:
 - مناطق المطابخ في المحلات والمقاهي وبيئات العمل الأخرى.
 - بيوت المزارع.
 - الاستخدام بواسطة العملاء في الفنادق أو نزل الإقامة أو بيئات أنواع الإقامة الأخرى.
 - في غرف النوم وبيئات الإفطار.
- يجب توفير الحماية لماكينة القهوة من آثار الطقس مثل الأمطار، والصقيع، وأشعة الشمس المباشرة. لا تستخدم ماكينة القهوة في الأماكن المفتوحة.
- تجنب تمامًا غمر ماكينة القهوة نفسها، أو كابل التيار الكهربائي، أو قابس التيار الكهربائي في الماء أو غيره من السوائل.
- لا تنظف ماكينة القهوة أو ملحقاتها في غسالة الأطباق.
- لا تصب أي سوائل أخرى بخلاف الماء في خزان الماء ولا تضع فيه أي مواد غذائية.
- لا تملأ خزان الماء بكمية تتعدى علامة الحد الأقصى (الحافة السفلية لفتحة

1 تعليمات هامة للسلامة والبيئة

1.2 خطر الإصابة بالحرق أو السمط

قد تصبح أجزاء ماكينة القهوة ساخنة جداً أثناء التشغيل! تكون حرارة المشروبات المُنْتَجَة والبخار المنبعث عالية جداً! يجب مراعاة احتياطات السلامة التالية لتجنب تعريض نفسك أو غيرك للحرق أو السمط:

- لا تلمس أيًا من الكُمّين المعدنيين الموجودين على فوهتي القهوة.
- تجنب التلامس المباشر للبشرة مع البخار المنبعث أو المياه الساخنة المستخدمة للشطف، والتنظيف، وإزالة الترسبات.

1.3 احتياطات السلامة الأساسية

- يجب مراعاة احتياطات السلامة التالية لضمان التعامل الآمن مع ماكينة القهوة:
- لا تعبت أبداً بمواد التعبئة والتغليف. خطر الاختناق. أبعاد جميع مواد التغليف عن الأطفال.
 - افحص ماكينة القهوة بحثاً عن علامات تلف واضحة قبل الاستخدام. لا تستخدم آلة القهوة في حالة وجود تلف. اتصل بوكيل خدمة معتمد.

يشتمل هذا القسم على تعليمات السلامة التي ستساعد على توفير الحماية ضد مخاطر الإصابة الشخصية والخسائر الجسيمة. يؤدي عدم اتباع هذه التعليمات إلى إبطال الضمان الممنوح.

1.1 خطر التيار الكهربائي

خطر يهدد الحياة بسبب التيار الكهربائي! قد تؤدي ملامسة الأسلاك أو المكونات ذات الشحنات الكهربائية إلى التعرض لإصابة خطيرة أو الوفاة!

يجب مراعاة احتياطات السلامة التالية لتجنب الصدمات الكهربائية:

- لا تستخدم الجهاز في حالة تلف سلك الطاقة والقابس. اتصل بوكيل خدمة معتمد.
- لا تفتح الهيكل الخارجي لماكينة القهوة. خطر التعرض لصدمة كهربائية في حالة ملامسة التوصيلات النشطة كهربائياً و/أو تغيير التكوين الكهربائي أو الميكانيكي.
- قبل تنظيف الحاوية، اسحب قابس التيار الكهربائي الخاص بالجهاز من مقبس التيار. خطر ناتج عن مطحنة القهوة الدوارة!

1 تعليمات هامة للسلامة والبيئة 3

- 1.1 خطر التيار الكهربائي..... 3
 1.2 خطر الحروق..... 3
 1.3 احتياطات السلامة الأساسية..... 4
 1.4 الاستخدام المخصص..... 7
 1.5 حدود المسؤولية القانونية..... 7
 1.6 الامتثال للتوجيهات الخاصة بنفايات الأجهزة والتخلص منها: 7
 1.7 الامتثال لتوجيهات حظر المواد الخطرة:..... 7
 1.8 معلومات الغلاف..... 7

**2 ماكينة تحضير القهوة الأوتوماتيكية
بالكامل 8**

- البيانات التقنية..... 8

3 الشاشة 9

- 3.1 لوحة التحكم..... 9

4 التحضير 10

- 4.1 التركيب..... 10
 4.2 تعبئة خزان المياه..... 10

5 التشغيل 12

- 5.1 ضبط الطحن..... 12
 5.2 ملء وعاء حبوب البن..... 12
 5.3 تحضير قهوتك..... 13
 5.4 ضبط حجم قهوتك / الماء الساخن..... 14
 5.5 تحضير الحليب الرغوي للقهوة..... 14
 5.6 الماء الساخن..... 15
 5.7 تحديد الوضع..... 15

6 التنظيف 17

- 6.1 تنظيف الجهاز..... 17
 6.2 التنظيف الذاتي..... 18
 6.3 وظيفة النظام الفارغة..... 19
 6.4 الشطف اليدوي..... 19

7 استكشاف الأخطاء وإصلاحها 21

يرجى قراءة دليل المستخدم هذا أولاً!

معاني الرموز

عميلنا العزيز،

شكرًا لك على اختيار أحد منتجات Beko. نأمل أن تحصل على أفضل النتائج من منتجك الذي تم تصنيعه بجودة عالية وأحدث التقنيات. لذلك، يرجى قراءة دليل المستخدم بالكامل وجميع المستندات الأخرى المصاحبة له بعناية قبل استخدام المنتج والاحتفاظ به كمرجع للاستخدام في المستقبل. وإذا قمت بإعطاء المنتج إلى شخص آخر، فقم بإعطاء دليل المستخدم أيضًا. اتبع جميع التحذيرات والمعلومات الواردة في دليل المستخدم.

تستخدم الرموز التالية في الأقسام المختلفة من هذا الدليل:

معلومات هامة أو تلميحات مفيدة عن الاستخدام.



خطر: تحذير حول مواقف خطيرة تتعلق بالحياة والممتلكات.



تحذير: تحذير يشير إلى موقف خطير محتمل.



إنذار: يشير التحذير إلى تلف مادي محتمل.



يهدف إلى تلامس المواد للطعام.



تم إنتاج هذا المنتج في مرافق حديثة وصديقة للبيئة.

لا يحتوي على ثنائي الفينيل متعدد الكلور.

beko

ماكينة تحضير القهوة الأوتوماتيكية بالكامل
دليل المستخدم



CEG 3192 B

AR

CE

01M-8911403200-2721-04