



## Semi-Automatic Espresso Machine With Integrated Milk Cup

User Manual



CEP 5304 X  
CEP 5303 B

EN - TR - DE - FR - ES - PL - RO - IT - CS - SK - SR - AR



01M-8914083200-5223-10  
01M-8914711200-5223-10  
01M-8915403200-5223-10  
01M-8916213200-5223-10



## CONTENTS

---

<b>ENGLISH</b>	<b>3-17</b>
<b>TÜRKÇE</b>	<b>18-35</b>
<b>DEUTSCH</b>	<b>36-53</b>
<b>FRANÇAIS</b>	<b>54-68</b>
<b>ESPAÑOL</b>	<b>69-84</b>
<b>POLISH</b>	<b>85-100</b>
<b>ROMÂNĂ</b>	<b>101-118</b>
<b>ITALIANO</b>	<b>119-134</b>
<b>ČESKY</b>	<b>135-147</b>
<b>SLOVENSKÝ</b>	<b>148-163</b>
<b>СРПСКИ</b>	<b>164-177</b>

# Please read this user manual first!

Dear Customer,

Thank you for selecting this Beko product. We hope that you get the best results from your product, which has been manufactured to a high quality with state-of-the-art technology. Please read this entire user manual and all other accompanying documents carefully before using the product and keep them as a reference for future use. If you pass on the product to someone else, please give them the user manual as well. Please take into consideration all warnings and information in the user manual.

## Explanation of symbols

The following symbols are used in the various section of this manual:



Important information or useful hints about usage.



**DANGER:** This warning for dangerous situations with regard to life and property.



**WARNING:** This warning indicates potentially dangerous situations.



**CAUTION:** This warning indicates the potential for material damage.



Materials are suitable for food contact



This section includes the safety instructions that will help providing protection against personal injury and material loss risks. Failure to follow these instructions invalidates the granted warranty.

## 1.1 Danger of electric current

Danger to life by electric current! Contact with live wires or components could lead to serious injury or even death! Observe the following safety precautions to avoid electric shocks:

- Do not use the coffee machine if the connecting cable or mains plug are damaged.
- Before reusing the coffee machine, the mains cable must be renewed by a qualified electrician.
- Do not open the housing of the coffee machine. Danger of electric shock if live connections are touched and/or the electrical and mechanical configuration is

changed.

## 1.2 Danger of burning or scalding

Parts of the coffee machine can become very hot during operation! Dispensed drinks and escaping steam are very hot!

Observe the following safety precautions to avoid burning/scalding yourself and/or others:

- Do not touch either of the metal sleeves on both coffee spouts.
- Avoid direct contact of the skin with escaping steam or hot rinsing, cleaning and descaling water.

## 1.3 Fundamental safety precautions

Observe the following safety precautions to ensure safe handling of the coffee machine:

- Never play with packaging material. Risk of suffocation.
- Inspect the coffee machine for visible signs of damage before use. Do not use a damaged coffee machine.

## Important instructions for safety and environment

- If the supply cord is damaged, it must be replaced by the manufacturer or its agent or similarly qualified person in order to avoid hazard.
- Repairs to the coffee machine must only be carried out by an authorised specialist or by the works customer service. Unqualified repairs can lead to considerable danger for the user. They will also void the warranty.
- Repairs to the coffee machine during the warranty period may only be carried out by service centres authorised by the manufacturer, otherwise the warranty will become void in the event of subsequent damage.
- Defective parts may only be replaced with original spare parts. Only original spare parts guarantee that the safety requirements are met.
- Appliances can be used by persons with reduced physical, sensory or mental capabilities or lack of experience and knowledge if they have been given supervision or instruction concerning use of the appliance in a safe way and understand the hazards involved.
- This appliance can be used by children aged from 8 years and above if they have been given supervision or instruction concerning use of the appliance in a safe way and if they understand the hazards involved. Cleaning and user maintenance shall not be made by children unless they are older than 8 and supervised. Keep the appliance and its cord out of reach of children aged less than 8 years.
- Children shall not play with the appliance.
- This appliance is intended to be used in household and similar applications such as:
  - staff kitchen areas in shops, offices and other working environments;
  - farm houses;

## Important instructions for safety and environment

- by clients in hotels, motels and other residential environments;
- bed and breakfast type environments.
- Protect the coffee machine against the effects of weather such as rain, frost and direct sunlight. Do not use the coffee machine outdoors.
- The appliance must not be immersed.
- Do not clean the coffee machine or accessories in a dish washer.
- Do not pour any other liquids apart from water or place foodstuffs into the water tank.
- Do not fill the water tank beyond the maximum mark (lower edge of the filling hole) (1.1 litres).
- Only operate the machine when the waste container, drip tray and the cup grate are fitted.
- Do not pull the cable to remove the plug from the mains socket or touch with wet hands.
- Do not hold the coffee machine with the mains cable.
- Keep the appliance and its cord out of reach of children aged less than 8 years.
- Before removing the water tank to fill or empty it, always turn the machine off.
- Always place the unit on a flat, stable, heat-resistant work surface.
- Before brewing, the portafilter must be turned to the right as tight as possible to prevent the portafilter from loosening due to high pressure.
- Serious injury may result from misuse. To protect against a fire, electric shock or personal injury, do not immerse cord, electric plugs, heating base in water or other liquids. Do not operate any appliance with a damaged cord or plug, after the appliance malfunctions, or is dropped or damaged in any manner. Please contact the manufacturer or his customer service.

# Important instructions for safety and environment

- Heating element surface is subject to residual heat after use, do not touch the hot surface, use the handle or the button. Always keep hands out of container and machine while in use and afterward to reduce the risk of injury to persons.
- Coffee-maker shall not be placed in a cabinet when in use.
- Cleaning: Do not place the appliance in water or other liquids. Clean the housing only with a sponge/cloth moistened in warm, soapy water. Do not use harsh, abrasive cleaners. See chapter 6 for detailed cleaning instructions.
- The heating element surface is subject to residual heat after use.

## 1.4 Intended use

The manual espresso machine Beko is intended for use in homes and similar applications, for instance in staff kitchens, shops, offices and similar areas or by customers in bed & breakfast, hotels, motels and other living accommodation. This coffee machine is not intended for commercial use. The machine is only intended for preparing coffee and heating milk and water. Any other use other than previously stated is considered as improper use.

### **Danger resulting from improper use!**

If not used for its intended purpose or used in any other way, the coffee machine may be or become a source of danger.



- Therefore, the coffee machine may only be used for its intended purpose.
- Observe the procedures described in this user manual.

No claims of any kind will be accepted for damage or injury resulting from use of the coffee machine for other than its intended purpose.

The risk has to be borne solely by the machine owner.

## 1.5 Limitation of liability

All technical information, data and instructions on installation, operation and maintenance of the coffee machine contained in these operating instructions represent the current status at the time of printing and are based on the best possible knowledge gained by experience and knowhow.

No claims can be derived from the information, illustrations and descriptions in this user manual.

The manufacturer assumes no liability for damage or injury resulting from failure to observe the user manual, use for other than the intended purpose, unprofessional repairs, unauthorised modifications or use of non-approved spare parts.

## 1.6 Compliance with the WEEE Directive and Disposing of the Waste Product:

This product complies with EU WEEE Directive (2012/19/EU). This product bears a classification symbol for waste electrical and electronic equipment (WEEE).



This symbol indicates that this product shall not be disposed with other household waste at the end of its service life. The used device must be returned to an official collection point for the recycling of electrical and electronic devices. To find these collection points, please contact your local authority or retailer where the product was purchased. Each household performs an important role in the restoring and recycling of old appliances. The appropriate disposal of used appliance helps prevent potential negative consequences for the environment and human health.

## 1.7 Compliance with RoHS Directive

The product you have purchased complies with EU RoHS Directive (2011/65/EU). It does not contain harmful and prohibited materials specified in the Directive.


## 1.8 Package information

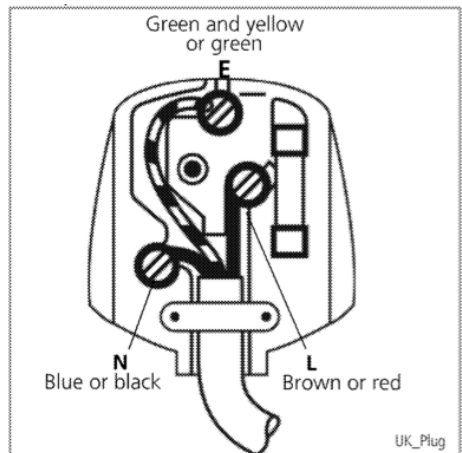


Packaging materials of the product are manufactured from recyclable materials in accordance with our National Environment Regulations. Do not dispose of the packaging materials together with the domestic or other wastes. Take them to the packaging material collection points designated by the local authorities.

## 1.9 Plug Wiring

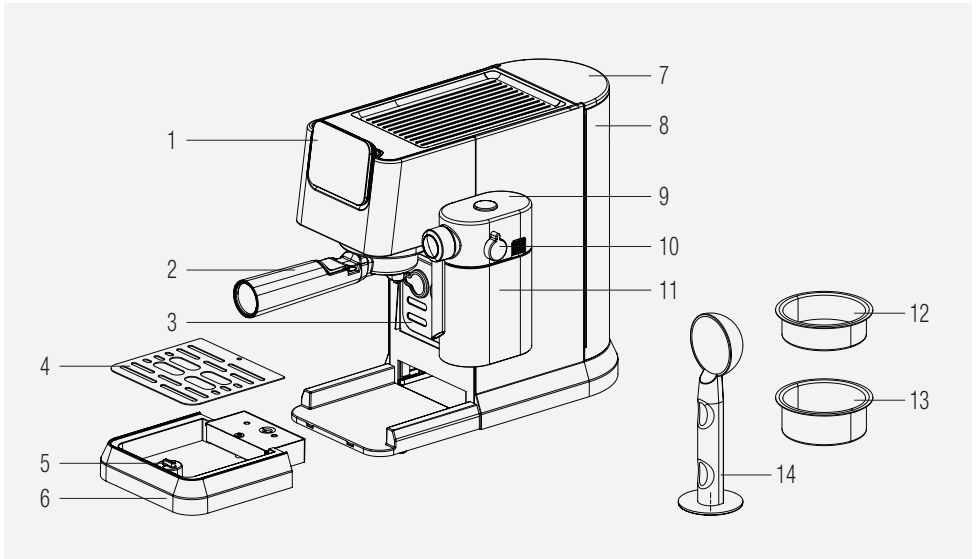
The moulded plug on this appliance incorporates a 13 A fuse. Should the fuse need to be replaced an ASTA approved BS1362 fuse of the same rating must be used. Do not forget to refit the fuse cover. In the event of losing the fuse cover, the plug must not be used until a replacement fuse cover has been fitted. Colour of the replacement fuse cover must be the same colour as that visible on the pin face of the plug. Fuse covers are available from any good electrical store.

- **Fiting a different plug**
- As the colours of the wires in the mains lead of this appliance may not correspond with the coloured markings identifying the terminals on your plug, proceed as follows:
  - Brown cable = L (Live)
  - Blue cable = N (Neutral)
  - Green/yellow cable must be connected to ground (E)  line
- With the alternative plugs a 13 A fuse must be fitted either in the plug or adaptor or in the main fuse box. If in doubt contact a qualified electrician.



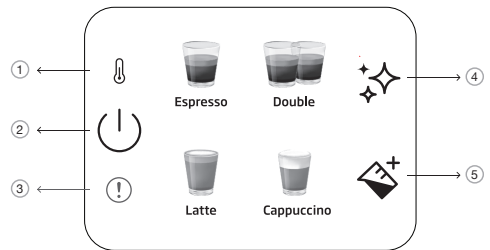


## 2 Overview & Control panel



1. Control panel
2. Portafilter
3. Cup holder
4. Drip tray grid
5. Floater
6. Drip tray
7. Water tank lid
8. Water tank
9. Milk tank cover
10. Milk foam adjustment knob
11. Milk tank
12. Single espresso basket
13. Double espresso basket
14. Coffee Scoop / Tamper

### 2.1 Control Panel



1		Pre-heating indicator
2		On/off & cancel button
3		General error
4		Cleaning and descaling button
5		Milk button

All declared values on the product and on the printed leaflets are picked up after laboratory measurements performed according to related standards. These values may differ upon usage and ambient conditions.

## 3 Technical data

**Power supply:** 220-240 V~, 50-60 Hz

**Power:** 1376 - 1628 W

The right to make technical and design changes is reserved.

All declared values on the product and on the printed leaflets were obtained from laboratory measurements performed according to the relevant standards. These values may differ depending on usage and ambient conditions.

**Product Dimensions:**

20,5 cm (Width) x 30,8 cm (Height) x 42,3 cm (Depth)

[Width w/out milk cup: 14,4 cm

Depth w/out portafilter: 32,5 cm]

**Weight:** 3.85±0.5kg

**Cable Length:** >90 cm

**Basket Capacities**

**Single:** 10g

**Double:** 17g

**Drip Tray Capacity:** Up to 0.2 L

**Water Tank Capacity:** 1.1±5%L

**Machine Pre-heating time:** <55s

**Volume of coffee (Default settings):**

Espresso: 30-55ml

Double: 65-95ml

Latte: 170-280 ml milk, 30-55 ml coffee

Cappuccino: 114-190 ml milk, 30-55 ml coffee



This button "" will light up as orange when machine needs descaling.

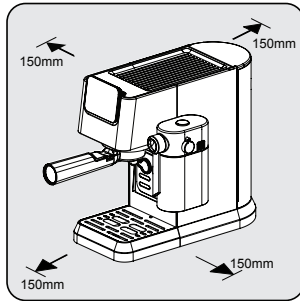


If the NTC is not connected to the power board, the red light of the error indicator will be on at the time, and there will be no response if any button is pressed.

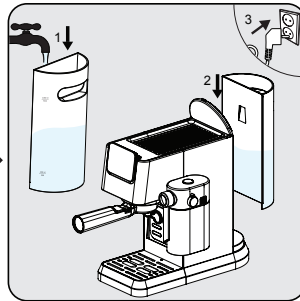
## 4 Preparation

### 4.1 First Time Use

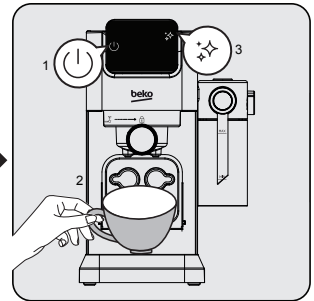
**i** Remove any protective films, stickers and any other packaging material from the appliance.



Choose a safe and stable surface with an easily reachable power supply and allow the minimum distance from the sides of the machines.

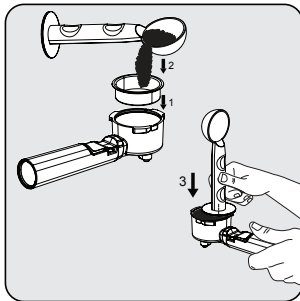


Fill the water tank with fresh, cold pure water at least up to the MIN marking and at most up to the MAX marking. (Do not add hot water)  
Then insert tank on to the machine and the other end of the power cord into a wall socket with the suitable power voltage.

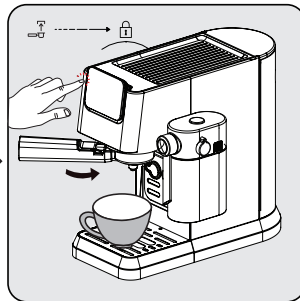


The power on/off button "⏻" on the control panel will light up. Press that button to turn on the machine. Put a cup right under the brewing head and press the cleaning button "🧼". The machine will sound one beep and start cleaning. Once completed the machine will be ready to use.

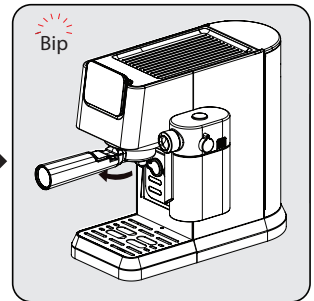
### 4.2 Brewing Single / Double Espresso



Place the single or double espresso basket into the filter holder. Fill the freshly ground coffee powder into the filter with measuring spoon (approx. 8-15g) and use the spoon to flatten the excess powder. With the tamping end of the spoon, apply around 15 kg to push down the powder even and firmly.



Install the portafilter under the coffee outlet. Align it with the unlock symbol, slide it into the groove, and slowly rotate it to the right to the lock symbol.  
- Place a coffee cup right under the coffee outlet.  
- Press the single or double button and a beep will sound.  
- Selected coffee will start blinking and the beverage preparation will begin.



After brewing is completed, machine will sound one beep and enter idle mode. Remove the portafilter clockwise. Clean the portafilter and dry it after each use.

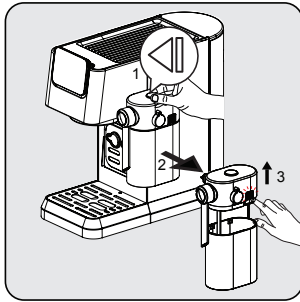
## 4 Preparation

i

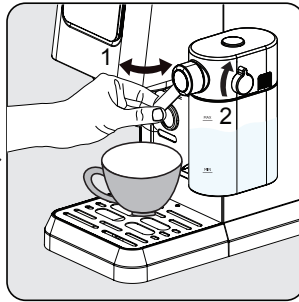
- Wait 5 seconds after brewing and then take out the filter. This will help remove the moving filter easily.
- Coffee powder cannot be used after brewing.
- Use the handle extension to knock the coffee residue out while keeping the basket in place.
- To ensure your espresso stays at optimum temperature, we recommend that you preheat your cups.
- To extract the fullest flavor from your coffee beans, we recommend using whole coffee beans that have been freshly ground each time espresso is prepared.
- In addition to the coffee used, using fresh cold water that is free of chlorine, odors and other impurities will help ensure the perfect espresso.
- Store your espresso grounds in an airtight container, and in a cool, dry place to retain the flavor. Grounds should not be kept for long periods of time as the flavor will be reduced.

### 4.3 Brewing Cappuccino & Latte

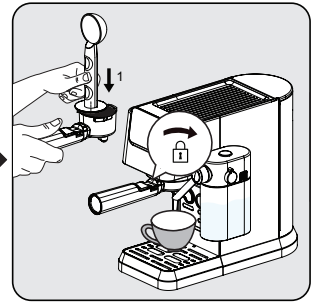
Cappuccino or Latte are combinations of one shot of espresso with different amounts of hot milk and milk froth.



Holding the milk tank with one hand, press the button on the top of the milk tank lid to remove the milk tank rightwards. Remove the lid of the milk tank by pressing the release button on the right side of the lid body.



Add milk to the milk tank. The milk should always be below the max mark. The recommended temperature for milk is 4-8 °C (~ 40-46 ° F). Put on the lid of the milk tank and attach the milk tank to the appliance, it must click audibly into place. Make sure that the milk tank fits correctly. Adjust the angle of the milk foam outlet over the cup. Adjust the milk foam density with the help of knob based on your preferences.

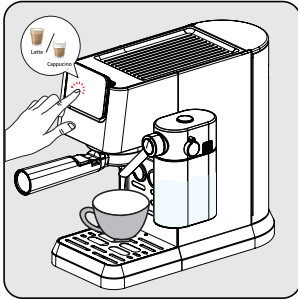


Insert the single basket into the portafilter. Fill the filter with finely ground espresso powder (approx. 8-15 g). Press the powder down with the flat side of the coffee spoon. Install the portafilter under the coffee outlet. Align it with the unlock symbol, slide it into the groove, and slowly rotate it to the right to the lock symbol.

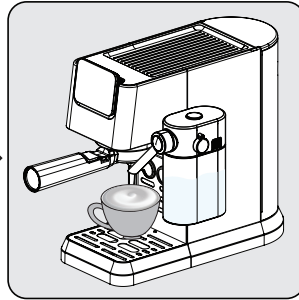
i

This machine allows the user to set the foam ratio by turning the knob from Max to Min to enjoy the desired foam. Suggested setting for Latte is min-mid, Cappuccino is mid-max. Adjust the milk foam density based on your preferences.

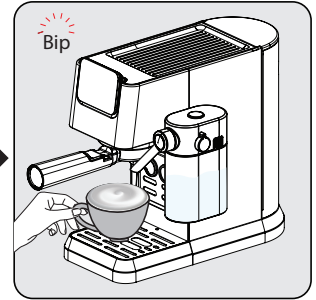
## 4 Preparation



Press the "cappuccino or latte" button, then one beep sounds. The selected beverages button will start blinking and brewing will start.



The pump will work intermittently as the milk froth first enters your cup. After the milk froth is ready, the device automatically starts to brew the coffee.



When the unit beeps once, the beverages is ready enjoy!  
- The machine will revert to idle mode.

### 4.4 Brewing / Adding Milk Foam

Fill in the milk tank and adjust the knob into position. Press the milk foam button "☒<sup>+</sup>". Machine will start milk dispensing automatically (90-140 ml). Once completed machine will revert back to idle stage.

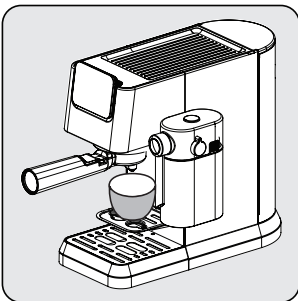


Always make sure the milk tank is placed correctly. If not fitted well; the cappuccino, latte & milk foam buttons will light off and the functions will not be available. Buzzer will sound as 3 beeps to indicate this.

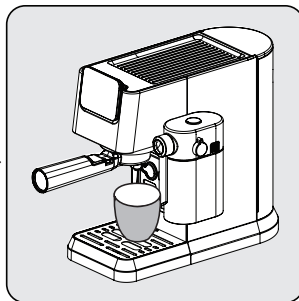


The removal of the milk tank has no impact on the coffee brewing, single/double espresso programs can be used.

### 4.5 Adjusting Height for Different Cup Size



For smaller cups, the cup tray (3) can be used.



For average size cups, place cup over the drip tray (6) in normally inserted position.



If drip tray is removed for bigger cups, it should be placed back into the machine right after beverage preparation is completed. If drip tray is not placed back after beverage preparation, due to internal system release, water might come to the base and would need a manual cleaning with dry cloth.

## 5 Operation and use

### 5.1 Adjusting the Volume of your Coffee / Milk

#### Setting amounts for Single & Double Espresso

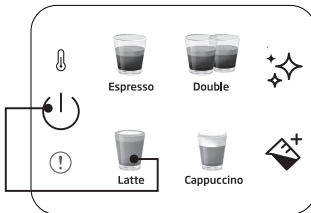
1. Select the function that is to be reprogrammed. Press the appropriate button (single or double espresso) and keep it held down. You will hear one beep. [single/double espresso programmable amounts (min: 30/60ml, max: 50/100ml)]
2. Only let go of the button once the desired amount of coffee has passed through. You will hear two beeps. This amount is now saved under the corresponding function.

#### Setting amounts for Latte, Cappuccino & Milk Foam

1. Select the function that is to be reprogrammed. Press the appropriate button (cappuccino, latte or milk) and keep it held down. You will hear one beep. (The shortest time of brewing milk is 10s, the longest time is 45s.)
2. Only let go of the button once the time of brewing milk that you want has passed through. You will hear two beeps. This time is now saved under the corresponding function.
3. To change amount of black coffee; after milk dispensing is completed, press and hold down selected beverage icon until desired amount has passed through.

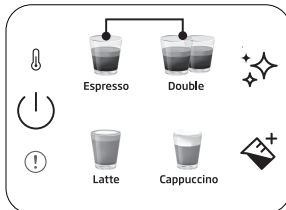


The adjusted beverage settings will be saved to device memory for future use until resetted or changed again.



#### To reset single beverage to default/factory setting:

Press and hold down any beverage and power buttons together for more than 3 seconds to reset the selected beverage amount.



#### To reset all beverages to default/factory setting:


Press and hold down single and double espresso buttons together for more than 3 seconds to reset the all beverage amount.



Standby time: The machine will automatically shut down after 29 minutes without any operation (or after work).

## 6 Cleaning


### 6.1 Cleaning the Milk Tank

Pour water in the milk tank until MAX level and press the milk foam button . Once completed, take out the milk tank components (9) (11) and clean them under clean water.



Clean the milk tank after each use to avoid milk residue.




### 6.2 Cleaning/Rinsing Function


For cleaning the brewing head, place a container under the brewing head and press the cleaning button . Cleaning will be completed within 16 seconds and the machine will be ready to use.

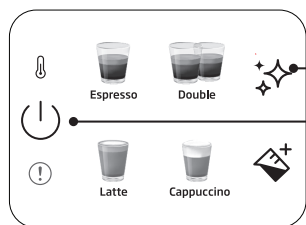


- If you do not use the machine for more than 5 consecutive days, rinse and drain the water tank.
- Drip tray and its grid (6) (4) can be cleaned manually under clean water.
- Do not put the portafilter into the dishwasher.

### 6.3 Descale Function

When descaling is required, descale icon  will light up as orange. Place a container that can hold 1.5L under the brewing head. Pour water into the water tank until MAX level and mix with scale remover or citric acid. Press & hold descale button  for more than 3 seconds and you will hear two beep sounds which indicates that the first cycle of descaling has begun. The first cycle will take around 15 minutes. Once completed, the descale icon will turn white .

Empty and replace the container under the brewing head. Clean and fill water tank until MAX level with clean water. Press & hold descale button  for more than 3 seconds and you will hear two beep sounds which indicates that the second cycle of descaling has begun. The second cycle will take around 6 minutes. Once all complete, the machine will go back to idle stage and will be ready to use.



#### To reset descale warning status:

Press and hold power and descale button together for more than 3 seconds.



- Descale is required after predefined brewing cycle.
- Resetting descaling warning status is not suggested for maintaining the best condition of the appliance.

## 7 Troubleshooting

### 7.1 Problems, possible causes and remedies

Problem	Cause	Remedy
<b>Coffee runs down the side of the portafilter.</b>	Portafilter (2) is not properly inserted.	Turn the handle of the portafilter (2) further to the right.
	Edge of sieve is not free of ground coffee	Turn off the machine, remove the portafilter (2) holder and clean the edges of the sieve.
	Screen inside brew head is dirty.	Clean the brew head using a wet cloth and run the cleaning function without placing the portafilter.
<b>Very little or no coffee flows through the portafilter.</b>	No water in tank.	Fill the tank with water.
	The screen inside the brew head is blocked.	Brew water through the screen without the portafilter (2) inserted. If no water comes through, unscrew the screen, clean and replace.
	The sieve is blocked.	Correction: Clean the sieve, insert into the portafilter (2) and pump water through without coffee. If no water comes through the sieve call Customer Service to order a replacement sieve.
<b>Espresso brews out only as drops.</b>	Coffee grounds are too fine or packed down too firmly.	Do not tamp coffee grounds so firmly. Use a coarser grind of coffee.
	Machine blocked by calcium deposits.	Descale the appliance. See page 15.
<b>Espresso brews too quickly.</b>	Ground coffee is too coarse.	Use a finer grind.
	Not enough coffee in the sieve.	Use more ground coffee.
<b>No crema.</b>	Coffee old or too dry.	Use fresh coffee.
	Coffee not pushed down firmly enough. Water pushes through the coffee too fast.	Tamp coffee grounds more firmly. Use a finer grind.
	Coffee too coarse.	Use a conical burr grinder to obtain a finer and more consistent grind.
	Coffee blend not suited to espresso coffee.	Change brand of espresso.
<b>Not enough froth when frothing milk.</b>	Milk not fresh.	Use fresh milk.
	Milk not suitable.	Check that the milk is suitable for frothing.
	Milk was too warm from the start.	Use milk straight from the refrigerator (34°F).
	Not enough milk to froth.	Use more cold milk.
	Milk inlet hole is blocked.	Clean the milk inlet hole.



## Product Guarantee

### 12 months breakdown and repair guarantee

Guarantor: **Beko plc, 1 Greenhill Crescent, Watford, Hertfordshire. WD18 8UF**

The guarantee does not in any way diminish your statutory or legal rights.

Your **appliance** has the benefit of our manufacturer's guarantee which covers the product for 12 months from the date of original purchase.

This gives you reassurance that if within that time, your **appliance** is proven to be defective because of either workmanship or materials, we will at our discretion either repair or replace your **appliance**.

The **appliance** must be correctly installed, located and operated in accordance with the instructions contained in the user manual. The guarantor disclaims any liability for accidental or consequential damage.

#### The Guarantee is subject to the following conditions:

- Documentary proof of the original purchase date is provided.
- The appliance has been installed and operated correctly and in accordance with our operating and maintenance instructions.
- The appliance is used only on the electricity supply on the rating plate.
- The appliance has only been used for normal domestic purposes.
- The appliance has not been altered, serviced, dismantled or otherwise interfered with by any person.
- The appliance is used in the United Kingdom or Republic of Ireland.
- Any parts removed during repair work or any product that has been replaced becomes our property.
- The guarantee is not transferrable if the product is resold.

#### The Guarantee does not cover:

- Transit, installation or delivery damage.
- Accidental damage.
- Misuse or abuse.
- Replacement of any consumable item or accessories. These include but are not limited to: plugs, cables, light bulbs, knobs, filters and flaps.
- Repairs or replacements required as a result of unauthorised repairs or inexperienced installation that fails to meet the requirements contained in the user guide or instruction book.
- Repairs to products used in commercial or non-residential household premises.

#### **How to obtain after sales service, help or general advice**

**Please keep your purchase receipt or other proof of purchase in a safe place as you will need to show us this document if your product requires attention within the guarantee period.**

Please also record your product details below, which will allow you to access our services more quickly and help us identify your product. The model number is printed on the front of the user guide and the serial and model number is shown on your products rating plate.

Model number	Serial number	Purchased from	Date of purchase

Please call our UK based Customer Service department if you need help or advice from us:

United Kingdom and Northern Ireland: **0333 207 9710**

Republic of Ireland: **01 862 3411**

You can also contact us through our website: **[www.beko.co.uk](http://www.beko.co.uk)**

# Lütfen önce bu kullanma kılavuzunu okuyun!

Değerli Müşterimiz,

Bu Beko ürününü tercih ettiğiniz için teşekkür ederiz. En son teknoloji kullanılarak yüksek kalitede üretilen ürününüzden en iyi sonuçları alacağınızı umuyoruz. Lütfen ürünü kullanmadan önce bu kullanım talimatlarını ve beraberindeki diğer tüm belgeleri dikkatlice okuyun ve ileride başvurmak üzere saklayın. Ürünü başka bir kişiye devrederseniz, lütfen kullanım talimatlarını ona da verin. Lütfen kullanım kılavuzundaki tüm uyarıları ve bilgileri dikkate alın.

## Sembollerin açıklaması

Bu kılavuzun çeşitli bölümlerinde aşağıdaki semboller kullanılmıştır:



Kullanımla ilgili önemli bilgiler veya faydalı ipuçları.



**TEHLİKE:** Can ve mal güvenliği açısından tehlikeli durumlar için uyarı.



**UYARI:** Bu uyarı potansiyel olarak tehlikeli durumlara işaret eder.



**DİKKAT:** Bu uyarı maddi hasar olasılığını gösterir.



Malzemeler gıda ile temas için uygundur



**GERİ DÖNÜŞTÜRÜLMÜŞ &  
GERİ DÖNÜŞTÜRÜLEBİLİR  
KAĞIT**

Bu bölüm, kişisel yaralanmalara ve maddi hasara karşı korunmaya yardımcı olan güvenlik talimatlarını içerir. Bu talimatlara uyulmaması verilen garantiyi geçersiz kılar.

## 1.1 Elektrik akımı tehlikesi

Elektrik akımı nedeniyle hayati tehlike!

Akım taşıyan hatlara veya bileşenlere temas ciddi yaralanmalara ve hatta ölüme yol açabilir!

Elektrik çarpmalarını önlemek için aşağıdaki güvenlik önlemlerini dikkate alın:

- Bağlantı kablosu veya elektrik fişi hasar görmüşse kahve makinesini kullanmayınız.
- Kahve makinesini tekrar kullanmadan önce şebeke kablosu kalifiye bir elektrikçi tarafından değiştirilmelidir.
- Kahve makinesinin gövdesini açmayın. Gerilim ileten bağlantılara dokunulması ve/veya elektriksel ve mekanik konfigürasyonun değiştirilmesi

durumunda elektrik çarpması tehlikesi.

## 1.2 Yanma veya haşlanma tehlikesi

Kahve makinesinin parçaları çalışma sırasında çok sıcak olabilir! Dökülen içecekler ve çıkan buhar çok sıcaktır!

Kendinizin ve/veya başkalarının yanmasını/yaralanmasını önlemek için aşağıdaki güvenlik önlemlerine uyun:

- İki kahve ağız üzerinde bulunan metal kovanlara dokunmayın.
- Çıkan buhar veya sıcak durulama, temizleme ve kireç çözme suyu ile doğrudan cilt temasından kaçının.

## 1.3 Temel güvenlik önlemleri

Kahve makinesinin güvenli bir şekilde kullanılmasını sağlamak için aşağıdaki güvenlik önlemlerine uyun:

- Ambalaj malzemesi ile asla oynamayın. Boğulma riski vardır.

# 1 Önemli güvenlik ve çevre talimatları

- Kahve makinesini kullanmadan önce görünür hasar olup olmadığını gözle kontrol edin. Hasarlı kahve makinesini kullanmayın.
- Elektrik kablosu hasar görürse, tehlikeyi önlemek için üretici veya temsilcisi ya da benzer niteliklere sahip bir kişi tarafından değiştirilmelidir.
- Kahve makinesinin onarımı sadece yetkili bir uzman veya fabrikanın satış sonrası servisi tarafından yapılmalıdır. Niteliksiz onarımlar kullanıcı için ciddi tehlikelere yol açabilir. Ayrıca garantiyi de geçersiz kılar.
- Garanti süresi içinde kahve makinesindeki onarımlar sadece üretici tarafından yetkilendirilmiş servis merkezleri tarafından yapılabilir, aksi takdirde hasar durumunda garanti geçersiz olur.
- Arızalı parçalar sadece orijinal yedek parçalarla değiştirilebilir. Sadece orijinal yedek parçalar güvenlik gereksinimlerinin karşılanmasını garanti eder.
- Bu cihaz, gözetim altında oldukları, cihazın güvenli bir şekilde kullanımına dair talimat verildikleri ve muhtemel tehlikeleri anladıkları takdirde sınırlı fiziksel, duyuşsal ve zihinsel becerilere sahip veya deneyim ve bilgi eksikliği olan kişiler tarafından kullanılabilir.
- Bu cihaz, gözetim altında oldukları veya cihazın güvenli bir şekilde kullanımına dair talimat verildikleri ve ilgili tehlikeleri anladıkları takdirde, 8 yaşında ve daha büyük çocuklar tarafından kullanılabilir. 8 yaşından daha büyük olmadıkları ve gözetim altında olmadıkları takdirde, cihazın temizlenmesi ve kullanıcı bakımı çocuklar tarafından yapılmamalıdır. Cihazı ve kablosunu 8 yaşından küçük çocukların erişemeyeceği yerlerde saklayın.
- Çocuklar cihazla oynamamalıdır.
- Bu cihaz, evlerde ve aşağıdaki

# 1 Önemli güvenlik ve çevre talimatları

- alanlarda kullanılmak üzere tasarlanmıştır:
- Dükkanların, ofislerin ve diğer çalışma ortamlarının personel mutfaklarında;
    - Çiftlik evlerinde;
    - Otel, motel ve diğer konaklama mekânlarında müşteriler tarafından;
    - Pansiyon türü mekanlarda.
  - Yatma yerleri ve kahvaltı yapılan ortamlar
  - Kahve makinesini yağmur, don ve doğrudan güneş ışığı gibi etkenlerden koruyun. Kahve makinesini açık havada kullanmayın.
  - Cihazı suya daldırmayın.
  - Kahve makinesini ve aksesuarlarını bulaşık makinesinde temizlemeyin.
  - Su haznesine su dışında herhangi bir sıvı dökmeyin ve içine yiyecek koymayın.
  - Su haznesini maksimum işaretin (doldurma deliğinin alt kenarı) (1,1 litre) üzerinde doldurmayın.
  - Atık kabı, damlama tepsisi ve bardak ızgarası takılı olmadan makineyi çalıştırmayın.
  - Fişi prizden çıkarmak için kabloyu çekmeyin ve ıslak elle dokunmayın.
  - Kahve makinesini elektrik kablosundan tutmayın.
  - Cihazı ve kablosunu 8 yaşından küçük çocukların erişemeyeceği yerlerde saklayın.
  - Su haznesini doldurmak veya boşaltmak için çıkarmadan önce daima cihazı kapatın.
  - Makineyi her zaman düz, sabit ve ısıya dayanıklı bir çalışma yüzeyine yerleştirin.
  - Pişirmeden önce, yüksek basınç nedeniyle gevşemesini önlemek için portafiltreyi mümkün olduğunca sıkıca sağa çevirin.
  - Yanlış kullanım ciddi yaralanmalara neden olabilir. Yangın, elektrik çarpması veya yaralanmaya karşı korunmak için kabloyu, fişi veya ısıtma tabanını suya veya diğer sıvılara daldırmayın. Kablosu ya

# 1 Önemli güvenlik ve çevre talimatları

da fişi arızalanmış olan, ısıtma mekanizması arızalanmış olan, düşürülmüş ya da başka bir şekilde zarar görmüş olan bir ısıtıcıyı kesinlikle çalıştırmayın. Lütfen üretici veya müşteri hizmetleri ile iletişime geçin.

- Isıtma elemanının yüzeyi kullanımdan sonra artık ısıya maruz kalır, sıcak yüzeye dokunmayın, tutamağı veya düğmeyi kullanmayın. Kişilerin yaralanma riskini azaltmak için kullanım sırasında ve sonrasında ellerinizi daima kaptan ve makineden uzak tutun.
- Kullanım sırasında kahve makinesini dolaba koymayın.

## 1.4 Kullanım amacı

Beko yarı otomatik espresso makinesi, evlerde ve benzer uygulamalarda, örneğin personel mutfaklarında, mağazalarda, ofislerde ve benzer alanlarda veya bed & breakfast, otel, motel ve diğer konaklama yerlerindeki müşteriler tarafından kullanılmak üzere tasarlanmıştır. Bu kahve makinesi ticari kullanım için tasarlanmamıştır. Cihaz sadece kahve hazırlamak ve süt ve su ısıtmak için tasarlanmıştır. Yukarıda belirtilenler dışındaki her türlü kullanım uygunsuz kullanım olarak kabul edilir.

## Yanlış kullanım durumunda tehlike!

Kahve makinesi amacına uygun kullanılmadığında veya standart olmayan bir şekilde kullanıldığında bir tehlike kaynağı haline gelebilir.



- Bu nedenle kahve makinesi sadece amacına uygun olarak kullanılmalıdır.
- Bu kullanım kılavuzunda açıklanan prosedürlere uyun.

Kahve makinesinin kullanım amacı dışında kullanılmasından kaynaklanan hasar veya yaralanmalarla ilgili olarak hiçbir tazminat talebi kabul edilmeyecektir.

Risk yalnızca makinenin sahibi tarafından üstlenilir.

## 1.5 Sorumluluk sınırlaması

Bu kullanım kılavuzunda yer alan kahve makinesinin kurulumu, işletimi ve bakımı ile ilgili tüm teknik bilgiler, veriler ve notlar baskı tarihindeki güncel teknik duruma uygundur ve mümkün olan en iyi deneyim ve bilgi düzeyine dayanmaktadır.

Bu kullanım kılavuzundaki bilgilerden, resimlerden ve açıklamalardan yola çıkılarak herhangi bir hak talep edilemez.

Üretici, kullanım kılavuzuna uyulmaması, hatalı kullanım, hatalı onarımlar, izinsiz değişiklikler veya onaylanmamış yedek parçaların kullanılması nedeniyle meydana gelen hasarlar için sorumluluk kabul etmez.

## 1.6 AEEE Yönetmeliğine Uyum ve Atık Ürünün Elden Çıkarılması

Bu ürün T.C. Çevre ve Şehircilik Bakanlığı tarafından yayımlanan "Atık elektrikli ve Elektronik eşyaların Kontrolü Yönetmeliği"nde belirtilen zararlı ve yasaklı maddeleri içermez.



AEEE Yönetmeliğine uygundur. Bu ürün, geri dönüşümlü ve tekrar kullanılabilir nitelikteki yüksek kaliteli parça ve malzemelerden üretilmiştir. Bu nedenle, ürünü, hizmet ömrünün sonunda evsel veya diğer atıklarla birlikte atmayın. Elektrikli ve elektronik cihazların geri dönüşümü için bir toplama noktasına götürün. Bu toplama noktalarını bölgenizdeki yerel yönetime sorun. Kullanılmış ürünleri geri kazanıma vererek Çevrenin ve doğal kaynakların korunmasına yardımcı olun.

## 1.7 RoHS Direktifine Uygunluk

Satın almış olduğunuz ürün AB RoHS Yönergesine (2011/65/EU) uygundur. Yönergede belirtilen zararlı ve yasak malzemeleri içermez.

## 1.8 Ambalaj bilgisi

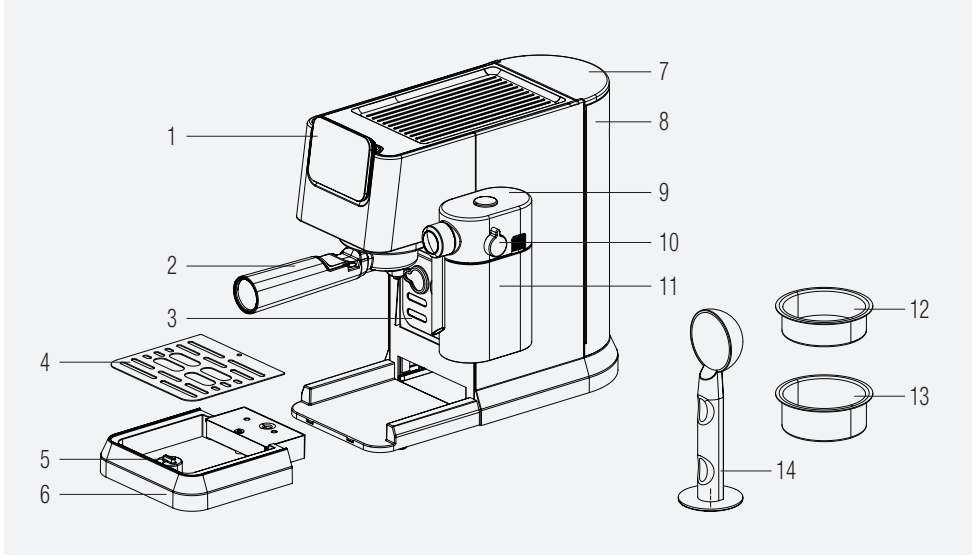


Ürünün ambalajı, Ulusal Mevzuatımız gereği geri dönüştürülebilir malzemelerden üretilmiştir. Ambalaj atığını evsel veya diğer atıklarla birlikte atmayın, yerel otoritenin belirttiği ambalaj toplama noktalarına atın.

## 1.9 Enerji tasarrufu için yapılması gerekenler

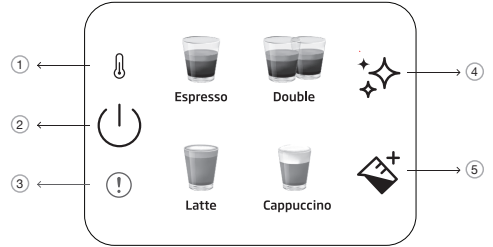
Kullanımdan sonra cihazı kapatın ve fişini prizden çıkarın.

## 2 Genel bakış & Kontrol paneli



1. Kontrol paneli
2. Portafiltre
3. Bardak tutucu
4. Damlama tepsisi ızgarası
5. Mekanik su seviye göstergesi
6. Damlama tepsisi
7. Su haznesi kapağı
8. Su haznesi
9. Süt haznesi kapağı
10. Süt köpüğü ayar düğmesi
11. Süt haznesi
12. Tek espresso sepeti
13. Çift espresso sepeti
14. Kahve kaşığı / Tamper

### 2.1 Kontrol Paneli



1		Ön ısıtma göstergesi
2		Açma/kapama ve iptal düğmesi
3		Genel hata
4		Temizleme ve kireç çözme düğmesi
5		Süt düğmesi

Ürün üzerinde ve basılı broşürlerde beyan edilen tüm değerler, ilgili standartlara göre yapılan laboratuvar ölçümleri sonucunda elde edilmiştir. Bu değerler kullanım ve ortam koşullarına göre farklılık gösterebilir.



## 3 Teknik veriler

**Güç kaynağı:** 220-240 V~, 50-60 Hz

**Güç:** 1376 - 1628 W

Teknik ve tasarım değişiklikleri yapma hakkımız saklıdır.

Ürün üzerinde ve basılı broşürlerde beyan edilen tüm değerler ilgili standartlara uygun olarak laboratuvar ölçümleri ile tespit edilmiştir. Bu değerler kullanıma ve çevre koşullarına bağlı olarak değişiklik gösterebilir.

### Ürün boyutları:

20,5 cm (genişlik) x 30,8 cm (yükseklik) x 42,3 cm (derinlik).

[Süt kabı olmadan genişlik: 14,4 cm

Portafiltre olmadan derinlik: 32,5 cm]

**Ağırlık:** 3,85±0,5 kg

**Kablo uzunluğu:** >90 cm'den fazla

### Sepet kapasiteleri

**Tek:** 10g

**Çift:** 17g

**Damlama tepsisi kapasitesi:** 0,2 L'ye kadar

**Su haznesi kapasitesi:** 1.1±5%L

**Makine ön ısıtma süresi:** <55s

### **Kahve miktarı (varsayılan ayarlar):**

Espresso: 30-55ml

Double: 65-95ml

Latte: 170-280ml süt, 30-55ml kahve

Cappuccino: 114-190 ml süt, 30-55 ml kahve.



Makinenin kirecinin çözülmesi gerektiğinde bu düğme " ✨ " turuncu renkte yanar.

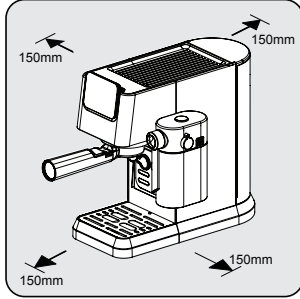


NTC güç kaynağı kartına bağlı değilse, hata göstergesinin kırmızı ışığı bu sırada yanar ve bir düğmeye basıldığında tepki vermez.

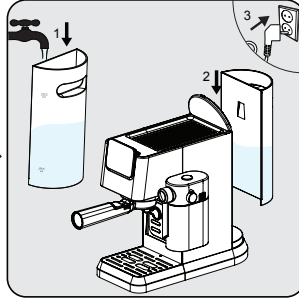
## 4 Hazırlık

### 4.1 İlk kez kullanım

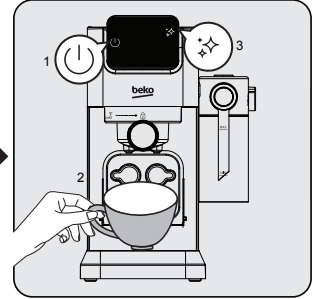
**i** Tüm koruyucu filmleri, etiketleri ve diğer ambalaj malzemelerini makineden çıkarın.



Kolay erişilebilir bir güç bağlantısı olan güvenli ve sabit bir yüzey seçin ve makinenin yanlarından minimum mesafe bırakın.

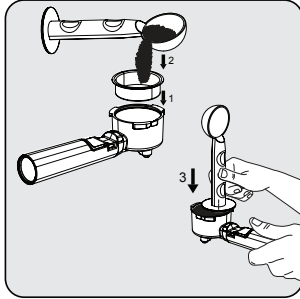


Su haznesini en az MIN işaretine kadar ve en fazla MAX işaretine kadar taze, soğuk, temiz su ile doldurun. (Sıcak su eklemeyin)  
Ardından hazneyi ünitenin üzerine yerleştirin ve güç kablosunun diğer ucunu uygun gerilime sahip bir prize takın.

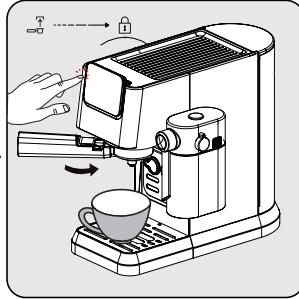


Kontrol panelindeki açma/kapama düğmesi yanar. Makineyi açmak için bu düğmeye basın. Doğrudan pişirme başlığının altına bir fincan yerleştirin ve temizleme düğmesine basın. Makine bip sesi çıkarır ve kendini temizlemeye başlar. Temizlik bittiğinde, makine tekrar kullanıma hazırdır.

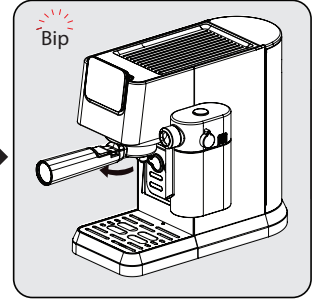
### 4.2 Tek / çift espresso pişirme



Tek veya çift espresso sepetini filtre tutucunun içine yerleştirin. Bir ölçü kaşığı kullanarak filtreyi taze çekilmiş kahve tozu ile doldurun (yaklaşık 8-15 g) ve fazla tozu düzeltmek için kaşığı kullanın. Tozu eşit ve sıkı bir şekilde bastırmak için kaşığın tokmak ucuna yaklaşık 15 kg uygulayın.



Portafiltreyi kahve çıkış ağzının altına yerleştirin. Kilidi açma sembolü ile hizalayın, oluğun içine kaydırın ve kilit sembolüne doğru yavaşça sağa çevirin.  
- Bir kahve fincanını doğrudan kahve çıkış ağzının altına yerleştirin.  
- Tekli veya çiftli düğmeye basın, bir bip sesi duyulur.  
- Seçilen kahve türü yanıp sönmeye başlar ve içeceğin hazırlanması başlar.



Pişirme işlemi tamamlandığında bir bip sesi duyulur ve makine bekleme moduna geçer. Portafiltreyi saat yönünde çevirerek çıkarın. Her kullanımdan sonra portafiltreyi temizleyin ve kurulayın.

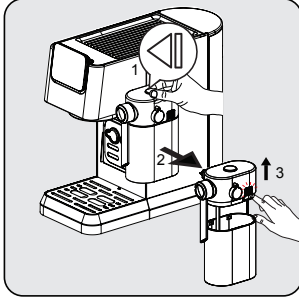
## 4 Hazırlık

i

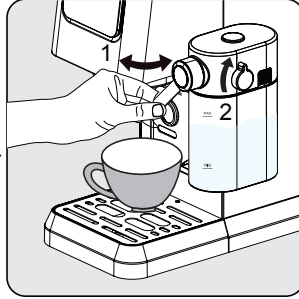
- Pişirme işleminden sonra 5 saniye bekleyin ve ardından filtreyi çıkarın. Bu, hareketli filtrenin çıkarılmasını kolaylaştırır.
- Kahve tozu pişirildikten sonra kullanılamaz.
- Sepeti yerinde tutarken kahve kalıntılarını çıkarmak için tutamaç uzantısını kullanın.
- Espresso'nuzun optimum sıcaklıkta olmasını sağlamak için fincanlarınızı önceden ıstımanızı öneririz.
- Kahve çekirdeklerinin aromasını tam olarak korumak için, her espresso yaptığınızda taze çekilmiş bütün kahve çekirdekleri kullanmanızı öneririz.
- Kullandığınız kahvenin yanı sıra, klor, koku ve diğer yabancı maddelerden arındırılmış taze, soğuk su kullanmak da mükemmel bir espressoya katkıda bulunur.
- Aromayı korumak için espresso telvenizi hava geçirmez bir kaptan ve serin, kuru bir yerde saklayın. Kahve telvesi uzun süre saklanmamalıdır, aksi takdirde aromasını kaybeder.

### 4.3 Cappuccino ve Latte hazırlanması

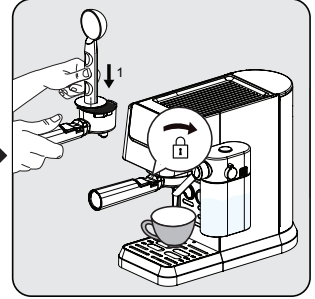
Cappuccino veya latte, değişen miktarlarda sıcak süt veya süt köpüğüne sahip shot espresso kombinasyonlarıdır.



Süt kabını bir elinizle tutun ve süt kabını sağa doğru çıkarmak için süt kabı kapağının üstündeki düğmeye basın. Kapak gövdesinin sağ tarafındaki kilit açma düğmesine basarak süt kabı kapağını çıkarın.



Sütü süt kabına doldurun. Süt her zaman Maksimum işaretinin altında olmalıdır. Süt için önerilen sıcaklık 4-8 °C'dir (~ 40-46 °F). Süt kabı kapağını takın ve süt kabını makineye takın, yerine oturması için duyulur şekilde tıklaması gerekir. Süt kabının doğru oturduğundan emin olun. Süt köpüğü çıkışının fincan üzerindeki açısını ayarlayın. Kontrol düğmesini kullanarak süt köpüğü yoğunluğunu istediğiniz gibi ayarlayın.

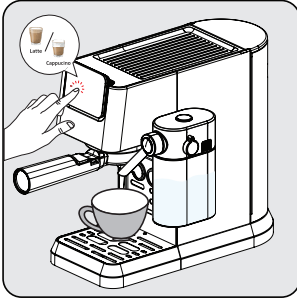


Tekli sepeti portafiltrenin içine yerleştirin. Filtreyi ince öğütülmüş espresso tozu ile doldurun (yaklaşık 8-15g). Kahve kaşığının düz tarafı ile tozu bastırın. Filtre tutucuyu kahve ağzının altına yerleştirin. Kilit açma sembolü ile hizalayın, oluğun içine itin ve yavaşça sağa doğru kilitleme sembolüne doğru çevirin.

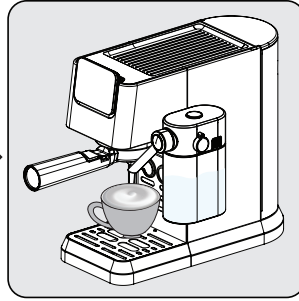
i

Bu makine, kullanıcının istediği köpüğü elde etmesi için düğmenin Maks'tan Min'e çevrilerek köpük oranını ayarlamasına olanak tanır. Latte için önerilen ayar min-mid, cappuccino için mid-max'tır. Süt köpüğü yoğunluğunu tercihinize göre ayarlayın.

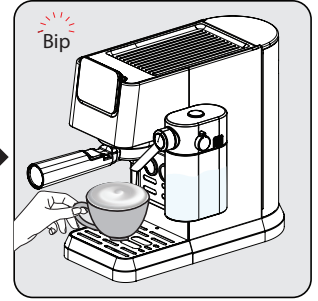
## 4 Hazırlık



'Cappuccino veya Latte' düğmesine basın, ardından bir bip sesi duyacaksınız. Seçilen içeceğin düğmesi yanıp söner ve pişirme işlemi başlar.




Süt köpüğü bardağa girerken pompa aralıklı olarak çalışır. Süt köpüğü hazır olduğunda, makine otomatik olarak kahveyi pişirmeye başlar.



Makine bir kez bip sesi çıkardığında içecek hazırdır - tadını çıkarın!  
- Makine bekleme durumuna geri döner.

### 4.4 Pişirme / süt köpüğü ekleme

Süt kabını doldurun ve döner düğmeyi konumuna getirin. Süt köpüğü düğmesine basın . Makine süt dağıtımına otomatik olarak başlayacaktır (90-140 ml). İşiniz bittiğinde makine rölatiye döner.

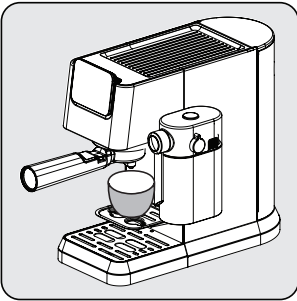


Her zaman süt haznesinin doğru yerleştirildiğinden emin olun. Doğru takılmamışsa, cappuccino, latte ve süt köpüğü düğmeleri yanmaz ve işlevler kullanılamaz. Bu, 3 bip sesi ile bir sesli uyarı ile bildirilir.

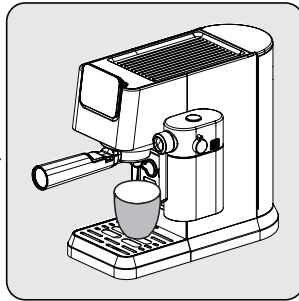


Süt haznesinin çıkarılması kahve hazırlamayı etkilemez, tek/çift espresso programları kullanılmaya devam edilebilir.

### 4.5 Farklı fincan boyutları için yüksekliğin ayarlanması



Daha küçük fincanlar için fincan tepsisi (3) kullanılabilir.



Orta büyüklükteki fincanlar için, fincan normal konumda damlama tepsisinin (6) üzerine yerleştirin.



Daha büyük fincanlar için damlama tepsisi çıkarılırsa, içecek hazırlandıktan hemen sonra makineye tekrar takılmalıdır. İçecek hazırlandıktan sonra damlama tepsisi tekrar takılmazsa, dahili sistemin tetiklenmesi nedeniyle tabana su girebilir ve bu durumda kuru bir bezle manuel olarak temizlenmesi gerekir.

## 5.1 Kahve/süt miktarının ayarlanması

### Tek ve çift espresso için miktarların ayarlanması

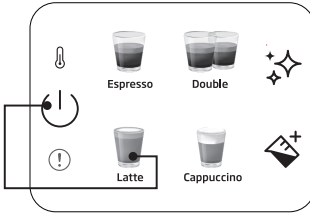
1. Yeniden programlanacak işlevi seçin. İlgili düğmeye basın (Tek veya çift espresso) ve basılı tutun. Bir bip sesi duyacaksınız. [Tek/çift espresso için programlanabilir miktarlar (min: 30/60ml, maks: 50/100ml)]
2. İsteddiğiniz miktarda kahve pişene kadar düğmeyi bırakmayın. İki bip sesi duyacaksınız. Bu miktar artık ilgili fonksiyon altında saklanır.

### Latte, cappuccino ve süt köpüğü için miktar ayarı

1. Yeniden programlanacak fonksiyonu seçin. İlgili düğmeye (Cappuccino, Latte veya süt) basın ve basılı tutun. Bir bip sesi duyacaksınız. (En kısa süt demleme süresi 10 saniye, en uzun 45 saniyedir).
2. İsteddiğiniz demleme süresi dolana kadar düğmeyi bırakmayın. İki bip sesi duyacaksınız. Bu süre artık ilgili işlev altında saklanır.
3. Sade kahve miktarını değiştirmek için, makine süt dağıtımını bitirdikten sonra, istediğiniz miktar geçene kadar seçilen içeceğin sembolünü basılı tutun.

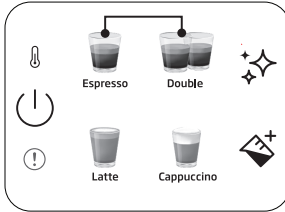


Ayarlanan içecek ayarları, sıfırlanana veya tekrar değiştirilene kadar ileride kullanılmak üzere cihaz hafızasında saklanır.



#### Tek bir içeceği varsayılan/çalışma ayarına sıfırlamak için:

Seçilen içecek miktarını sıfırlamak için içecek düğmelerinden birini ve güç düğmesini aynı anda 3 saniyeden uzun süre basılı tutun.



#### Tüm içecekleri varsayılan/çalışma ayarına sıfırlamak için:


Tüm içecek miktarını sıfırlamak için tek ve çift espresso düğmelerini aynı anda 3 saniyeden uzun süre basılı tutun.



Bekleme süresi: Makine herhangi bir işlem yapmadan 29 dakika sonra (veya işten sonra) otomatik olarak kapanacaktır.

## 6 Temizlik


### 6.1 Süt haznesinin temizlenmesi

Süt haznesine MAX seviyesine kadar su dökün ve süt köpüğü düğmesine  basın. Ardından süt haznesinin parçalarını (9) (11) çıkarın ve temiz su altında temizleyin.



Süt kalıntılarını önlemek için her kullanımdan sonra süt haznesini temizleyin.




### 6.2 Temizleme/durulama fonksiyonu


Pişirme başlığını temizlemek için, pişirme başlığının altına bir kap yerleştirin ve temizleme düğmesine  basın. Temizlik 16 saniye içinde tamamlanır ve makine tekrar kullanıma hazır hale gelir.

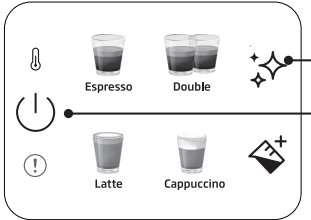


- Makineyi art arda beş günden fazla kullanmazsanız, su haznesini durulayın ve boşaltın.
- Damlama tepsisi ve ızgarası (6) (4) temiz su altında elle temizlenebilir.
- Portafiltreyi bulaşık makinesine koymayın.

### 6.3 Kireç çözme fonksiyonu

Kireç çözme gerektiğinde, kireç çözme sembolü  turuncu renkte yanar. Pişirme kafasının altına 1,5 l kapasiteli bir kap yerleştirin. Su haznesine MAX seviyesine kadar su dökün ve kireç çözücü veya sitrik asit ile karıştırın. Kireç çözme düğmesine  3 saniyeden fazla basılı tuttuğunuzda, ilk kireç çözme döngüsünün başladığını gösteren iki bip sesi duyacaksınız. İlk döngü yaklaşık 15 dakika sürer. Tamamlandığında, kireç çözme sembolü beyaza döner. .

Pişirme başlığının altındaki kabı boşaltın ve yeniden yerleştirin. Su haznesini temizleyin ve MAX seviyesine kadar temiz su ile doldurun. Kireç çözme düğmesini  3 saniyeden fazla basılı tuttuğunuzda ikinci kireç çözme döngüsünün başladığını gösteren iki bip sesi duyacaksınız. İkinci döngü yaklaşık 6 dakika sürer. Döngü tamamlandığında, makine rölantiye döner ve tekrar kullanıma hazır hale gelir.



#### Kireç çözme uyarı durumunu sıfırlamak için:

Güç düğmesini ve kireç çözme düğmesini aynı anda 3 saniyeden uzun süre basılı tutun.



- Önceden tanımlanmış pişirme döngüsünden sonra kireç çözme gereklidir.
- Kireç çözme uyarı durumunun sıfırlanması, cihazın en iyi durumda tutulması için önerilmez.

## 7.1 Sorunlar, olası nedenler ve çözüm yolları

Sorun	Neden	Çözüm
<b>Kahve portafiltrenin kenarından aşağı akıyor.</b>	Portafiltre (2) doğru yerleştirilmemiştir.	Portafiltrenin (2) sapını sağa doğru çevirin.
	Eleğin kenarı öğütülmüş kahveden arındırılmamış.	Makineyi kapatın, eleğin (2) tutucusunu çıkarın ve eleğin kenarlarını temizleyin.
	Pişirme başlığındaki elek kirlidir.	Pişirme kafasını nemli bir bezle temizleyin ve temizleme işlevini portafiltreyi yerleştirmeden gerçekleştirin.
<b>Portafiltreden çok az kahve akıyor veya hiç akmıyor.</b>	Haznede su yok.	Hazneyi su ile doldurun.
	Pişirme başlığındaki filtre tıkalı.	Portafiltreyi (2) takmadan filtreden su geçirin. Su gelmezse, filtreyi söküp, temizleyin ve yeniden takın.
	Elek tıkanmıştır.	Çözüm: Eleği temizleyin, portafiltrenin (2) içine yerleştirin ve suyun kahve olmadan geçmesine izin verin. Elekten su akmazsa, yeni bir elek sipariş etmek için müşteri hizmetleriyle iletişime geçin.
<b>Espresso sadece damla damla pişiyor.</b>	Kahve telvesi çok ince veya çok sıkı bastırılmış.	Kahve telvesini çok sert bastırmayın. Daha iri öğütülmüş bir kahve kullanın.
	Makine kireçle tıkanmış.	Makineyi kireçten arındırın. Sayfa 15'e bakın.
<b>Espresso çok hızlı pişiyor.</b>	Kahve öğütme çok kaba.	Daha ince bir öğütme kullanın.
	Elekte çok az kahve var.	Daha fazla öğütülmüş kahve kullanın.
<b>Krema yok.</b>	Kahve eski veya çok kuru.	Taze kahve kullanın.
	Kahve yeterince sert bastırılmamış. Su kahvenin içinden çok hızlı geçiyor.	Kahve telvesini daha sert bastırın. Daha ince öğütülmüş kahve kullanın.
	Kahve çok yoğun.	Daha ince ve daha eşit bir öğütme elde etmek için konik bir öğütücü kullanın.
	Kahve karışımı espresso kahve için uygun değil.	Espresso markasını değiştirin.
<b>Köpürtme sırasında yeterli süt köpüğü oluşmuyor.</b>	Süt taze değil.	Taze süt kullanın.
	Süt uygun değil.	Sütün köpürtme için uygun olup olmadığını kontrol edin.
	Süt başlangıçtan beri çok sıcaktır.	Sütü doğrudan buzdolabından (34°F) alın.
	Köpürtmek için yeterli süt yok.	Daha fazla soğuk süt kullanın.
	Süt giriş deliği tıkalı.	Süt giriş deliğini temizleyin.

## Müşteri Hizmetleri

### Müşteri Memnuniyeti Politikası

- Müşterilerimizin istek ve önerilerini her kanaldan karşılamaktan mutluluk duyarız.

#### Kanallarımız:

\* **Çağrı Merkezimiz: 0850 210 0 888**

(Sabit telefonlardan veya cep telefonlarından alan kodu çevirmeden arayın\*)

\* **Diğer Numaramız: 0216 585 8 888**

- Çağrı Merkezimiz haftanın 7 günü 24 saat hizmet vermektedir.

- Çağrı Merkezimiz ile yaptığımız görüşmeler iletişim hizmeti aldığınız operatör firma tarafından sizin için tanımlanan tarifeye göre ücretlendirilir.

- Sabit veya cep telefonlarınızdan alan kodu tuşlamadan çağrı merkezi numaramızı arayarak ürününüz ile ilgili arzu ettiğiniz hizmeti talep edebilirsiniz.

\* **Whatsapp Numaramız: 0544 444 0 888**

\* **Faks Numaramız: 0216-423-2353**

\* **Web Adresimiz:**

- [www.beko.com.tr](http://www.beko.com.tr)

\* **e-posta Adresimiz:**

- [musteri.hizmetleri@beko.com](mailto:musteri.hizmetleri@beko.com)

\* **Sosyal Medya Hesaplarımız:**

- <https://www.instagram.com/bekoturkiye/>

- [https://twitter.com/beko\\_tr](https://twitter.com/beko_tr)

- <https://www.facebook.com/bekoturkiye/>

- <https://www.youtube.com/user/BekoChannel>

\* **Posta Adresimiz:**

- Arçelik A.Ş. Karaağaç Caddesi No:2-6,  
34445, Sütüçe / İSTANBUL

\* **Bayilerimiz,**

- <https://www.beko.com.tr/yetkili-saticilar>

\* **Yetkili Servislerimiz,**

- <http://www.beko.com.tr/yetkili-servis>

- Online servis randevusu almak için,

- <http://digital.arcelik.com.tr>

- Tüm yetkili servis istasyonu bilgilerimiz, Ticaret Bakanlığı tarafından oluşturulan "Servis Bilgi Sistemi"nde ([www.servis.gov.tr](http://www.servis.gov.tr)) yer almaktadır.

- Yedek parça malzemeleri yetkili servislerimizden temin edilebilir.

- Müşterilerimizden iletilen istek ve önerilerin Beko'ya ulaştığı bilgisini, müşteri profili ayrımı yapılmaksızın kendilerine 24 saat içinde veririz.
- Müşteri Hizmetleri sürecimiz:  
Müşterilerimizin istek ve önerilerini;  
\* **İzlenebilir, raporlanabilir, şeffaf ve güvenli tek bir bilgi havuzunda toplarız.**  
\* **Yasal düzenlemelere uygun, objektif, adil ve gizlilik içinde ele alır ve değerlendiririz.**  
\* **Bu geri bildirimleri süreçlerimizin daha mükemmel hale getirilmesinde kullanırız.**
- Beko olarak, mükemmel müşteri deneyimini yaşatmayı ana ilke olarak kabul eder, müşteri odaklı bir yaklaşım benimseriz.
- Bütün süreçlerimizi yönetim sistemi ile entegre ederek birbirini kontrol eden bir yapı geliştirilmesini sağlarız.  
Yönetim hedeflerini de bu sistem üzerinden besleriz.

### Aşağıdaki önerilere uymanızı rica ederiz.

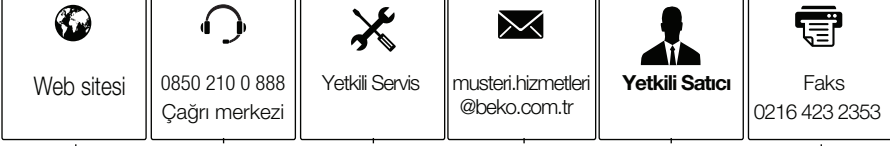
- Ürününüzü aldığınızda Garanti belgesini Yetkili Satıcınıza onaylattırınız.
- Ürününüzü kullanma kılavuzu esaslarına göre kullanınız.
- Ürününüz ile ilgili hizmet talebiniz olduğunda yukarıdaki telefon numaralarından Çağrı Merkezimize başvurunuz.
- Hizmet için gelen teknisyene "teknisyen kimlik kartı"nı sorunuz.
- İşiniz bittiğinde Yetkili servis teknisyeninden "Hizmet Fişi" istemeyi unutmayınız. alacağınız "Hizmet Fişi" , ilerde ürününüzde meydana gelebilecek herhangi bir sorunda size yarar sağlayacaktır.
- Ürünün kullanım ömrü: 7 yıldır. (Ürünün fonksiyonunu yerine getirebilmesi için gerekli yedek parça bulundurma süresi)



## Hizmet talebinin değerlendirilmesi

1

### Müşteri Başvurusu



2

### Başvuru kaydı

Başvuru Konusu  
Müşteri Adı, Soyadı  
Müşteri Telefonu  
Müşteri Adresi

3

### Hizmet talebinin alınması

- Hizmet talebi analizi
- Hizmet hakkında müşterinin bilgilendirilmesi (Keşif,nakliye,montaj,bilgi,onarım,değişim vb.)
- Hizmet hakkında gerekli işlemin gerçekleştirilmesi

4

### Müşteri memnuniyetinin alınması

Memnun

Memnun  
değil

5

### Başvuru kaydının kapatılıp, bilgilerin saklanması

## **Bu kılavuzu okumadan ürününüzü çalıştırmayınız.**

Ürününüz ile ilgili garanti şartları, kullanımı ve sorun giderme yöntemleri kılavuzda yer almaktadır.

Uygun Kullanım ve Garanti ile İlgili Dikkat Edilmesi Gereken Hususlar;

Aşağıda belirtilen sorunların giderilmesi ücret karşılığında yapılır. Bu durumlar için garanti şartları uygulanmaz;

1. Kullanım hatalarından kaynaklanan hasar ve arızalar,
2. Malın tüketiciye tesliminden sonraki yükleme, boşaltma, taşıma vb. sırasında oluşan hasar ve arızalar,
3. Malın kullanıldığı yerin elektrik (priz, gerilim, topraklama vb.), su (su basıncı, musluk vb.), doğalgaz, telefon, internet vb. şebekesi ve/veya altyapısı (gider, zemin, ortam vb.) kaynaklı meydana gelen hasar ve arızalar,
4. Doğa olayları ve yangın, su baskını vb. kaynaklı meydana gelen hasar ve arızalar,
5. Malın tanıtma ve kullanma kılavuzlarında yer alan hususlara aykırı kullanılmasından kaynaklanan hasar ve arızalar,
6. Malın, 6502 sayılı Tüketicinin Korunması Hakkındaki Kanununda tarif edilen şekli ile ticari veya mesleki amaçlarla kullanımı durumunda ortaya çıkan hasar ve arızalar,
7. Mala yetkisiz kişiler tarafından bakım, onarım veya başka bir nedenle müdahale edilmesi

Durumlarında mala verilmiş garanti sona erecektir.

Garanti uygulaması sırasında değiştirilen malın garanti süresi, satın alınan malın kalan garanti süresi ile sınırlıdır.

Ürününüz Arçelik A.Ş adına Eternal (Guang Dong) Tech Electric Co. Ltd. B5 Long Zhou West Road, Shunde District, Fo Shan, Guang Dong, China Tel: +86 159 8999 2434 tarafından üretilmiştir.

Menşei : P.R.C.

## GARANTİ ŞARTLARI

- Garanti süresi, malın teslim tarihinden itibaren başlar ve 2 yıldır.
- Malın tanıtma ve kullanma kılavuzunda gösterildiği şekilde kullanılması ve Arçelik A.Ş.'nin yetkili kıldığı servis çalışanları dışındaki şahıslar tarafından bakım, onarım veya başka bir nedenle müdahale edilmemiş olması şartıyla, malın bütün parçaları dahil olmak üzere tamamını; malzeme, işçilik ve üretim hatalarına karşı malın teslim tarihinden itibaren yukarıda belirtilen süre kadar garanti eder.
- Malın ayıplı olduğunun anlaşılması durumunda tüketici, 6502 sayılı Tüketicinin Korunması Hakkında Kanununun 11 inci maddesinde yer alan;
  - Sözleşmeden dönme,
  - Satış bedelinden indirim isteme,
  - Ücretsiz onarılmasını isteme,
  - Satılanın ayıpsız bir misli ile değiştirilmesini isteme, haklarından birini kullanabilir.
- Tüketicinin bu haklardan ücretsiz onarım hakkını seçmesi durumunda satıcı; işçilik masrafı, değiştirilen parça bedeli ya da başka herhangi bir ad altında hiçbir ücret talep etmeksizin malın onarımını yapmak veya yaptırmakla yükümlüdür. Tüketici ücretsiz onarım hakkını üretici veya ithalatçıya karşı da kullanabilir. Satıcı, üretici ve ithalatçı tüketicinin bu hakkını kullanmasından müstesilsen sorumludur.
- Tüketicinin, ücretsiz onarım hakkını kullanması halinde malın;
  - Garanti süresi içinde tekrar arızalanması,
  - Tamiri için gereken azami sürenin aşılması,
  - Tamirinin mümkün olmadığı için, yetkili servis istasyonu, satıcı, üretici yada ithalatçı tarafından bir raporla belirlenmesi durumlarında;tüketici malın bedel iadesini, ayıp oranında bedel indirimini veya imkân varsa malın ayıpsız misli ile değiştirilmesini satıcıdan talep edebilir.

Satıcı, tüketicinin talebini reddedemez. Bu talebin yerine getirilmemesi durumunda satıcı, üretici ile ithalatçı müstesilsen sorumludur.

- İlgili mevzuatlarda belirlenen kullanım ömrü süresince malın azami tamir süresi 20 iş gününü, geçemez. Bu süre, garanti süresi içerisinde mala ilişkin arızanın yetkili servis istasyonuna veya satıcıya bildirim tarihinde, garanti süresi dışında ise malın yetkili servis istasyonuna teslim tarihinden itibaren başlar. Garanti kapsamı içerisindeki malın arızasının 10 iş günü içerisinde giderilememesi halinde, üretici veya ithalatçı; malın tamiri tamamlanıncaya kadar, benzer özelliklere sahip başka bir malı tüketicinin kullanımına tahsis etmek zorundadır. Benzer özelliklere sahip başka bir malın tüketicici tarafından istenmemesi halinde üretici veya ithalatçılar bu yükümlülüğünden kurtulur. Malın garanti süresi içerisinde arızalanması durumunda, tamirde geçen süre garanti süresine eklenir.
- Malın kullanma kılavuzunda yer alan hususlara aykırı kullanılmasından kaynaklanan hasar ve arızalar garanti kapsamı dışındadır.
- Tüketici, garantiden doğan haklarının kullanılması ile ilgili olarak çıkabilecek uyuşmazlıklarda yerleşim yerinin bulunduğu veya tüketici işleminin yapıldığı yerdeki Tüketici Hakem Heyetine veya Tüketici Mahkemesine başvurabilir.
- Satıcı tarafından bu Garanti Belgesinin verilmemesi durumunda, tüketici Ticaret Bakanlığı Tüketicinin Korunması ve Piyasa Gözetimi Genel Müdürlüğüne başvurabilir.

**Üretici veya İthalatçı Firmasının;**

Ünvanı: Arçelik A.Ş.  
Adresi: Arçelik A.Ş. Karaağaç Cad. No:2-6  
34445 Sıtlıçe / İSTANBUL / TÜRKİYE  
Telefonu: (0-216) 585 8 888  
Faks: (0-216) 423 23 53  
web adresi: www.beko.com.tr

**Malın**

Markası: Beko  
Cinsi: Yarı Otomatik Espresso Makinesi  
Modeli: CEP 5304 X - CEP 5303 B  
Bandrol ve Seri No:  
Garanti Süresi: 2 YIL  
Azami Tamir Süresi: 20 İş günü

GENEL MÜDÜR

**Arçelik A.Ş.**

GENEL MÜDÜR YRD.

**Satıcı Firmasının:**

Ünvanı:  
Adresi:  
Telefonu:  
Faks:  
e-posta:

Fatura Tarih ve Sayısı:  
Teslim Tarihi ve Yeri:  
Yetkilinin İmzası:  
Firmanın Kaşesi:

Bu bölümü, ürünü aldığınız Yetkili Satıcı imzalayacak ve kaşeleyecektir.

# Bitte lesen Sie zuerst dieses Handbuch!

Sehr geehrter Kunde,

vielen Dank, dass Sie sich für dieses Beko-Produkt entschieden haben. Wir hoffen, dass Sie mit Ihrem Gerät, das mit hoher Qualität und modernster Technologie hergestellt wurde, die besten Ergebnisse erzielen. Lesen Sie bitte dieses Benutzerhandbuch und alle anderen mitgelieferten Dokumente sorgfältig durch, bevor Sie das Gerät benutzen, und bewahren Sie sie als Hinweis für den zukünftigen Gebrauch auf. Wenn Sie das Produkt an eine andere Person weitergeben, geben Sie ihr bitte auch das Benutzerhandbuch mit. Bitte beachten Sie alle Warnhinweise und Informationen in der Bedienungsanleitung.

## Erläuterung der Symbole

Die folgenden Symbole werden in verschiedenen Abschnitten dieses Handbuchs verwendet:



Wichtige Informationen oder nützliche Hinweise zur Benutzung.



**GEFAHR:** Warnung vor gefährlichen Situationen in Bezug auf Leben und Eigentum.



**WARNUNG:** Diese Warnung weist auf potenziell gefährliche Situationen hin.



**VORSICHT:** Diese Warnung weist auf die Möglichkeit von Sachschäden hin.



Die Materialien sind für den Kontakt mit Lebensmitteln geeignet



**RECYCELTES UND  
RECYCELBARES PAPIER**

Dieser Abschnitt enthält die Sicherheitshinweise, die zum Schutz vor Personen- und Materialverlustrisiken beitragen. Nichtbeachtung dieser Anweisungen macht die gewährte Garantie ungültig.

## 1.1 Gefahr von elektrischem Strom

Lebensgefahr durch elektrischen Strom!

Kontakt mit stromführenden Drähten oder Bauteilen kann zu schweren oder sogar tödlichen Verletzungen führen!

Beachten Sie die folgenden Sicherheitsvorkehrungen, um Stromschläge zu vermeiden:

- Verwenden Sie die Kaffeemaschine nicht, wenn das Verbindungskabel oder der Netzstecker beschädigt sind.
- Vor der Wiederverwendung der Kaffeemaschine muss das Netzkabel von einem

qualifizierten Elektriker erneuert werden.

- Öffnen Sie nicht das Gehäuse der Kaffeemaschine. Stromschlaggefahr bei Berührung unter Spannung stehender Verbindungen und/oder Änderung der elektrischen und mechanischen Konfiguration.

## 1.2 Verbrennungs- oder Verbrühungsgefahr

Teile der Kaffeemaschine können sich bei der Benutzung stark erhitzen. Abgegebene Getränke und austretender Dampf sind sehr heiß!

Beachten Sie die folgenden Sicherheitsvorkehrungen, um Verbrennungen/Verbrühungen von sich selbst und/oder anderen zu vermeiden:

- Berühren Sie keine der Metallhülsen an beiden Kaffeeausläufen.

- Vermeiden Sie direkten Hautkontakt mit austretendem Dampf oder heißem Spül-, Reinigungs- und Entkalkungswasser.

## 1.3 Grundlegende Sicherheitsvorkehrungen

Beachten Sie die folgenden Sicherheitsvorkehrungen, um einen sicheren Umgang mit der Kaffeemaschine zu gewährleisten:

- Spielen Sie niemals mit Verpackungsmaterial. Erstickungsgefahr.
- Überprüfen Sie die Kaffeemaschine vor dem Gebrauch auf sichtbare Anzeichen von Beschädigungen. Verwenden Sie keine beschädigte Kaffeemaschine.
- Sollte das Netzkabel beschädigt sein, muss es durch den Hersteller oder dessen Kundendienst oder eine Person mit gleicher technischer Qualifikation ausgetauscht werden.
- Reparaturen an der Kaffeemaschine dürfen nur von einem autorisierten Fachmann oder vom Kundendienst durchgeführt werden. Unqualifizierte Reparaturen können zu erheblichen Gefahren für den Benutzer führen. Sie führen auch zum Erlöschen der Garantie.
- Reparaturen an der Kaffeemaschine während der Garantiezeit dürfen nur von vom Hersteller autorisierten Kundendiensten durchgeführt werden, andernfalls erlischt die Garantie bei späteren Schäden.
- Defekte Teile dürfen nur durch Originalersatzteile ersetzt werden. Nur Originalersatzteile garantieren, dass die Sicherheitsanforderungen

## Wichtige Hinweise zur Sicherheit und zum Umweltschutz

erfüllt werden.

- Dieses Gerät kann von Personen mit **e i n g e s c h r ä n k t e n** körperlichen, sensorischen oder geistigen Fähigkeiten oder fehlender Erfahrung und Kenntnissen benutzt werden, wenn sie in sicherer Weise beaufsichtigt oder unterwiesen wurden und die damit verbundenen Gefahren verstehen.
- Dieses Gerät kann von Kindern ab 8 Jahren benutzt werden, sofern sie unter Aufsicht eines für ihre Sicherheit verantwortlichen Erwachsenen gestellt sind oder Anweisungen zur sicheren Bedienung des Gerätes erhalten und sofern sie diese verstanden haben. Reinigung und Wartung dürfen nicht von Kindern durchgeführt werden, sofern diese nicht älter als 8 und unbeaufsichtigt sind. Bewahren Sie das Gerät und sein Kabel außerhalb der Reichweite von Kindern unter 8 Jahren auf.
- Kinder dürfen nicht mit dem Gerät spielen.
- Dieses Gerät ist ausschließlich zur Verwendung in einem Haushalt und vergleichbaren Einrichtungen gedacht, darunter:
  - Personalküchenbereiche in Geschäften, Büros und anderen Arbeitsumgebungen,
  - Bauernhöfen;
  - von Gästen in Hotels, Motels und anderen wohnungsähnlichen Umgebungen,
  - kleineren Pensionen oder vergleichbaren Einrichtungen
- Schützen Sie die Kaffeemaschine vor Witterungseinflüssen wie Regen, Frost und direkter Sonneneinstrahlung.

## Wichtige Hinweise zur Sicherheit und zum Umweltschutz

Verwenden Sie die Kaffeemaschine nicht im Freien.

- Das Gerät darf nicht untergetaucht werden.
- Reinigen Sie die Kaffeemaschine oder das Zubehör nicht in einer Spülmaschine.
- Geben Sie keine anderen Flüssigkeiten als Wasser ein und geben Sie keine Lebensmittel in den Wassertank.
- Füllen Sie den Wassertank nicht über die maximale Markierung (Unterkante der Einfüllöffnung) (1,1 Liter) hinaus.
- Betreiben Sie die Maschine nur, wenn der Abfallbehälter, die Tropfschale und der Tassenrost montiert sind.
- Ziehen Sie nicht am Kabel, um den Stecker aus der Steckdose zu ziehen, und berühren Sie ihn nicht mit nassen Händen.
- Halten Sie die

Kaffeemaschine nicht mit dem Netzkabel fest.

- Bewahren Sie das Gerät und sein Kabel außerhalb der Reichweite von Kindern unter 8 Jahren auf.
- Schalten Sie das Gerät immer aus, bevor Sie den Wassertank abnehmen, um ihn zu füllen oder zu entleeren.
- Stellen Sie das Gerät immer auf eine ebene, stabile und hitzebeständige Arbeitsfläche.
- Vor dem Brühen muss der Siebträger so fest wie möglich nach rechts gedreht werden, um zu verhindern, dass sich der Siebträger durch den hohen Druck lockert.
- Bei unsachgemäßem Gebrauch kann es zu schweren Verletzungen kommen. Zum Schutz vor Feuer, elektrischem Schlag oder Verletzungen dürfen Kabel, Stecker und



# Wichtige Hinweise zur Sicherheit und zum Umweltschutz

Heizsockel nicht in Wasser oder andere Flüssigkeiten getaucht werden. Nehmen Sie das Gerät nicht in Betrieb, wenn das Kabel oder der Stecker beschädigt ist, wenn das Gerät eine Fehlfunktion hat oder wenn es heruntergefallen oder in irgendeiner Weise beschädigt ist. Bitte wenden Sie sich an den Hersteller oder seinen Kundendienst.

- Die Oberfläche des Heizelements unterliegt nach dem Gebrauch einer Restwärme, berühren Sie nicht die heiße Oberfläche, verwenden Sie den Griff oder die Taste. Halten Sie die Hände während und nach dem Gebrauch immer vom Behälter und der Maschine fern, um die Verletzungsgefahr für Personen zu verringern.
- Die Kaffeemaschine darf während des Gebrauchs

nicht in einen Schrank gestellt werden.

## 1.4 Verwendungszweck

Die manuelle Espressomaschine Beko ist für den Gebrauch in Haushalten und ähnlichen Anwendungen bestimmt, z. B. in Personalküchen, Geschäften, Büros und ähnlichen Bereichen oder durch Kunden in Bett & Frühstück Gasthöfe, Hotels, Motels und anderen Wohneinrichtungen. Diese Kaffeemaschine ist nicht für den gewerblichen Gebrauch bestimmt. Die Maschine ist nur zum Zubereiten von Kaffee und zum Erhitzen von Milch und Wasser vorgesehen. Jede andere als die zuvor angegebene Verwendung gilt als unsachgemäße Verwendung.

### Gefahr bei unsachgemäßer Verwendung!

Wenn die Kaffeemaschine nicht für den vorgesehenen Zweck oder auf andere Weise verwendet wird, kann oder wird sie eine Gefahrenquelle.



- Deswegen sollte die Kaffeemaschine nur für den vorgesehenen Zweck verwendet werden.
- Beachten Sie die in dieser Bedienungsanleitung beschriebenen Verfahren.

Es werden keine Ansprüche jeglicher Art für Schäden oder Verletzungen akzeptiert, die durch die Verwendung der Kaffeemaschine für einen anderen als den beabsichtigten Zweck entstehen.

Das Risiko trägt allein der Maschinenbesitzer.

## 1.5 Haftungsbeschränkung

Alle in dieser Bedienungsanleitung enthaltenen technischen Informationen, Daten und Anweisungen zur Installation, zum

# Wichtige Hinweise zur Sicherheit und zum Umweltschutz

Betrieb und zur Wartung der Kaffeemaschine geben den aktuellen Stand zum Zeitpunkt des Drucks wieder und basieren auf den bestmöglichen Kenntnissen aus Erfahrung und Know-how.

Aus den Informationen, Abbildungen und Beschreibungen in dieser Bedienungsanleitung können keine Ansprüche abgeleitet werden.

Der Hersteller übernimmt keine Haftung für Schäden oder Verletzungen, die durch Nichtbeachtung des Benutzerhandbuchs, Verwendung für andere als den vorgesehenen Zweck, unprofessionelle Reparaturen, nicht autorisierte Änderungen oder Verwendung nicht zugelassener Ersatzteile entstehen.

## Informationen zur Entsorgung

### 1.6 Ihre Pflichten als Endnutzer



Dieses Produkt erfüllt die Vorgaben der EU-WEEE-Direktive (2012/19/ EU). Das Produkt wurde mit einem Klassifizierungssymbol für elektrische und elektronische Altgeräte (WEEE)

gekennzeichnet.

Dieses Elektro- bzw. Elektronikgerät ist mit einer durchgestrichenen Abfalltonne auf Rädern gekennzeichnet. Das Gerät darf deshalb nur getrennt vom unsortierten Siedlungsabfall gesammelt und zurückgenommen werden. Es darf somit nicht in den Hausmüll gegeben werden. Das Gerät kann z.B. bei einer kommunalen Sammelstelle oder ggf. bei einem Vertreter (siehe unten zu deren Rücknahmepflichten in Deutschland) abgegeben werden.

Das gilt auch für alle Bauteile, Unterbaugruppen und Verbrauchsmaterialien des zu entsorgenden Altgeräts.

Bevor das Altgerät entsorgt werden darf, müssen alle Altbatterien und Altakkumulatoren vom Altgerät getrennt werden, die nicht vom Altgerät umschlossen sind. Das gleiche gilt für Lampen,

die zerstörungsfrei aus dem Altgerät entnommen werden können. Der Endnutzer ist zudem selbst dafür verantwortlich, personenbezogene Daten auf dem Altgerät zu löschen.

Die ordnungsgemäße Entsorgung gebrauchter Geräte trägt dazu bei, mögliche negative Folgen für die Umwelt und die menschliche Gesundheit zu vermeiden.

### 1.7 Hinweise zum Recycling



Helfen Sie mit, alle Materialien zu recyceln, die mit diesem Symbol gekennzeichnet sind. Entsorgen Sie solche Materialien, insbesondere

Verpackungen, nicht im Hausmüll, sondern über die bereitgestellten Recyclingbehälter oder die entsprechenden örtlichen Sammelsysteme.

Recyceln Sie zum Umwelt- und Gesundheitsschutz elektrische und elektronische Geräte.

## 1.8 Rücknahmepflichten der Verreiber

Wer auf mindestens 400 m<sup>2</sup> Verkaufsfläche Elektro- und Elektronikgeräte vertreibt oder diese gewerblich an Endnutzer abgibt, ist verpflichtet, bei Abgabe eines neuen Gerätes, ein Altgerät des Endnutzers der gleichen Geräteart, das im Wesentlichen die gleichen Funktionen wie das neue Gerät erfüllt, am Ort der Abgabe oder in unmittelbarer Nähe, unentgeltlich zurückzunehmen. Das gilt auch für Verreiber von Lebensmitteln mit einer Gesamtverkaufsfläche von mindestens 800 m<sup>2</sup>, die mehrmals im Kalenderjahr oder dauerhaft Elektro- und Elektronikgeräte anbieten und auf dem Markt bereitstellen. Solche Verreiber müssen zudem auf Verlangen des Endnutzers Altgeräte, die in keiner äußeren Abmessung größer als 25 cm sind, (kleine Elektrogeräte) im Einzelhandelsgeschäft oder in unmittelbarer Nähe hierzu unentgeltlich zurückzunehmen; die Rücknahme darf in diesem Fall nicht an den Kauf eines Elektro- oder Elektronikgerätes verknüpft, kann aber auf drei Altgeräte pro Geräteart beschränkt werden.

Ort der Abgabe ist auch der private Haushalt, wenn das neue Elektro- oder Elektronikgerät dorthin geliefert wird; in diesem Fall ist die Abholung des Altgerätes für den Endnutzer kostenlos.

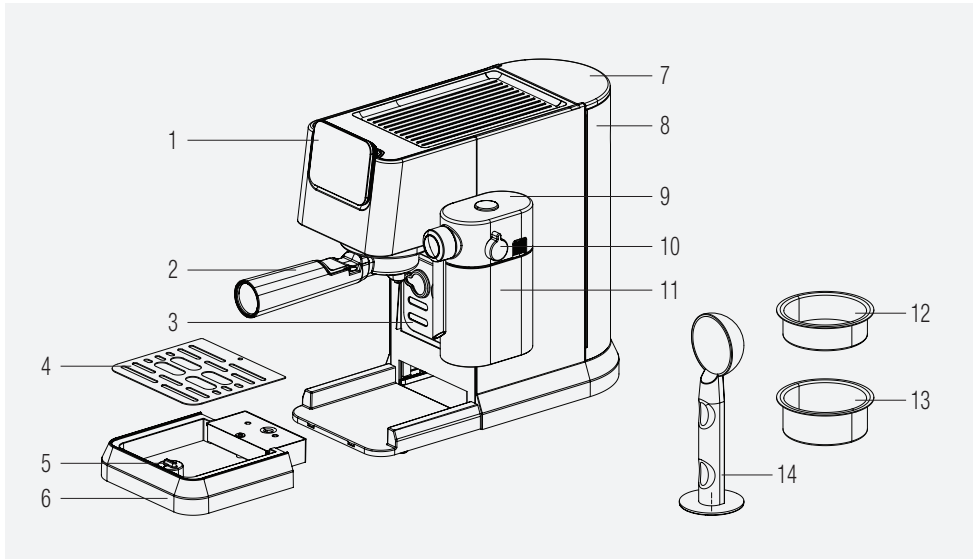
Die vorstehenden Pflichten gelten auch für den Vertrieb unter Verwendung von Fernkommunikationsmitteln, wenn die Verreiber Lager- und Versandflächen für Elektro- und Elektronikgeräte bzw. Gesamtlager und Versandflächen für Lebensmittel beinhalten, die den oben genannten Verkaufsflächen entsprechen. Die unentgeltliche Abholung von Elektro- und Elektronikgeräten ist dann aber auf Wärmeüberträger (z.B. Kühlschränke), Bildschirme, Monitore und Geräte, die Bildschirme mit einer Oberfläche von mehr als 100 cm<sup>2</sup> enthalten und Geräte beschränkt, bei denen mindestens eine der äußeren Abmessungen mehr als 50 cm beträgt. Für alle übrigen Elektro- und Elektronikgeräte muss der Verreiber geeignete Rückgabemöglichkeiten in

zumutbarer Entfernung zum jeweiligen Endnutzer gewährleisten; das gilt auch für kleine Elektrogeräte (s.o.), die der Endnutzer zurückgeben möchte, ohne ein neues Gerät zu erwerben.

## 1.9 Einhaltung von RoHS-Vorgaben:

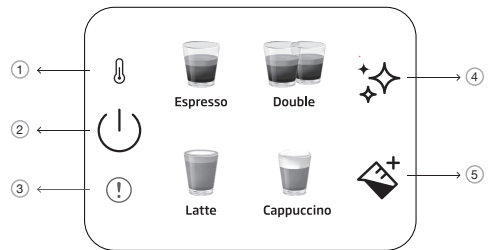
Das von Ihnen erworbene Produkt erfüllt die Vorgaben der EU-RoHS Richtlinie (2011/65/EU). Es enthält keine in der Richtlinie angegebenen gefährlichen und unzulässigen Materialien.

## 2 Übersicht & Bedienfeld



1. Bedienfeld
2. Portafilter
3. Tassenhalter
4. Gitter für Tropfschale
5. Schwimmer
6. Tropfschale
7. Wassertankdeckel
8. Wassertank
9. Deckel des Milchtanks
10. Einstellknopf für den Milchschaum
11. Milchtank
12. Einzelner Espresso
13. Doppelter Espresso
14. Kaffeeschaufel/Stamper

### 2.1 Kontrollfeld



1		Vorwärmanzeige
2		Ein-/Aus-Taste
3		Allgemeiner Fehler
4		Taste für Reinigung und Entkalkung
5		Taste für Milch

Alle auf dem Produkt und auf den gedruckten Packungsbeilagen angegebenen Werte werden nach Labormessungen gemäß den entsprechenden Standards erfasst. Diese Werte können je nach Einsatz und Umgebungsbedingungen abweichen.

## 3 Technische Daten

**Stromversorgung:** 220-240 V~, 50-60 Hz

**Leistung:** 1376 - 1628 W

Die Rechte zur Durchführung technischer und gestalterischer Änderungen bleiben vorbehalten.

Alle auf dem Produkt und den Beipackzetteln angegebenen Werte stammen aus Labormessungen, die gemäß den einschlägigen Normen durchgeführt wurden. Diese Werte können je nach Einsatz und Umgebungsbedingungen abweichen.

**Produktabmessungen:**

20,5 cm (Breite) x 30,8 cm (Höhe) x 42,3 cm (Tiefe)

[Breite ohne Milchbecher: 14,4 cm

Tiefe ohne Portafilter: 32,5 cm]

**Gewicht:** 3,85±0,5kg

**Kabellänge** >90 cm

**Fassungsvermögen der Körbe**

**Einzel:** 10g

**Doppelt:** 17g

**Fassungsvermögen der Auffangwanne:** Bis zu 0,2 l

**Fassungsvermögen Wassertank:** 1.1±5%L

**Maschine Vorwärmzeit:** <55s

**Menge des Kaffees (Standardeinstellungen):**

Espresso: 30- 55ml

Doppelt: 65- 95ml

Latte: 170-280 ml Milch, 30-55 ml Kaffee

Cappuccino: 114-190 ml Milch, 30-55 ml Kaffee



Diese Taste " ✨ " leuchtet orange, wenn das Gerät entkalkt werden muss.

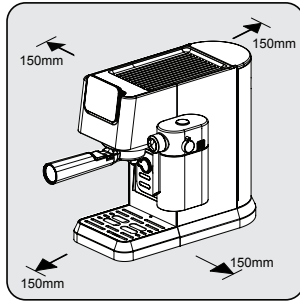


Wenn der NTC nicht an die Stromversorgungsplatine angeschlossen ist, leuchtet das rote Licht der Fehleranzeige zu diesem Zeitpunkt auf, und es erfolgt keine Reaktion auf das Drücken einer Taste.

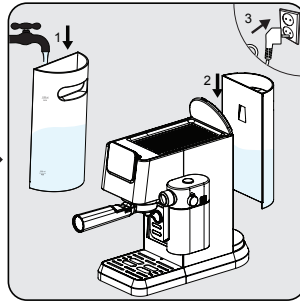
## 4 Vorbereitung

### 4.1 Erstmalige Verwendung

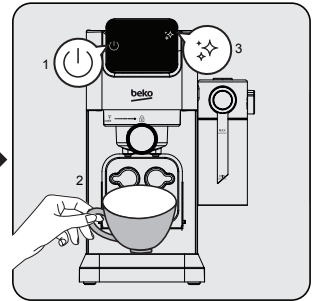
**i** Entfernen Sie alle Schutzfolien, Aufkleber und sonstigen Verpackungsmaterialien vom Gerät.



Wählen Sie eine sichere und stabile Oberfläche mit leicht erreichbarer Stromversorgung und lassen Sie einen Mindestabstand von den Seiten der Maschinen ein.

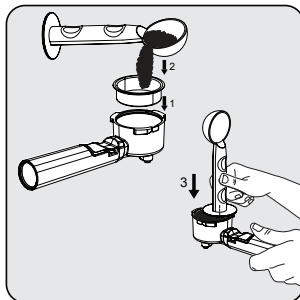


Füllen Sie den Wassertank mit frischem, kaltem, reinem Wasser mindestens bis zur MIN-Markierung und höchstens bis zur MAX-Markierung. (Kein heißes Wasser einfüllen)  
Setzen Sie dann den Tank auf das Gerät und stecken Sie das andere Ende des Netzkabels in eine Steckdose mit geeigneter Spannung.

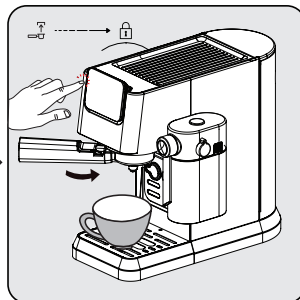


Die Ein-/Ausschalttaste "⏻" auf dem Bedienfeld leuchtet auf. Drücken Sie diese Taste, um das Gerät einzuschalten. Stellen Sie eine Tasse direkt unter den Brühkopf und drücken Sie die Reinigungstaste "✳️". Das Gerät gibt einen Signalton ab und beginnt mit der Reinigung. Nach Abschluss der Reinigung ist die Maschine einsatzbereit.

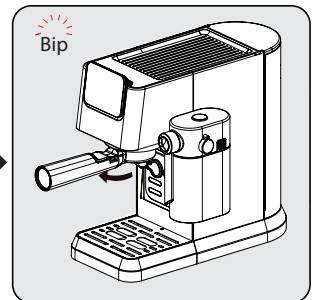
### 4.2 Brühen von einfachem / doppeltem Espresso



Setzen Sie den einfachen oder doppelten Espressokorb in den Filterhalter. Füllen Sie das frisch gemahlene Kaffeepulver mit einem Messlöffel in den Filter ein (ca. 8-15 g) und drücken Sie das überschüssige Pulver mit dem Löffel flach. Mit dem Stopfende des Löffels etwa 15 kg aufbringen, um das Pulver gleichmäßig und fest nach unten zu drücken.



Setzen Sie den Siebträger unter dem Kaffeeauslauf ein. Richten Sie ihn am Entriegelungssymbol aus, schieben Sie ihn in die Rille und drehen Sie ihn langsam nach rechts zum Verriegelungssymbol.  
- Stellen Sie eine Kaffeetasse direkt unter den Kaffeeauslauf.  
- Drücken Sie die Einzel- oder Doppeltaste und ein Signalton ertönt.  
- Die gewählte Kaffeesorte beginnt zu blinken und die Zubereitung des Getränks beginnt.



Nach Abschluss des Brühvorgangs ertönt ein Signalton und das Gerät schaltet in den Ruhezustand. Nehmen Sie den Siebträger im Uhrzeigersinn heraus. Reinigen Sie den Siebträger und trocknen Sie ihn nach jedem Gebrauch.

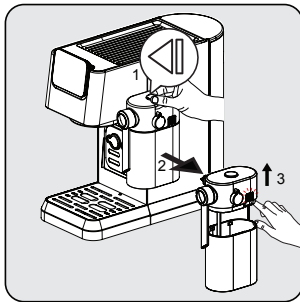
## 4 Vorbereitung

- Warten Sie nach dem Aufbrühen 5 Sekunden und nehmen Sie dann den Filter heraus. So lässt sich der bewegliche Filter leicht entfernen.
- Kaffeepulver kann nach dem Aufbrühen nicht mehr verwendet werden.
- Verwenden Sie die Griffverlängerung, um die Kaffeereste herauszuklopfen, während Sie den Korb in Position halten.
- Um sicherzustellen, dass Ihr Espresso die optimale Temperatur hat, empfehlen wir Ihnen, Ihre Tassen vorzuwärmen.
- Um das volle Aroma Ihrer Kaffeebohnen zu erhalten, empfehlen wir, bei jeder Espressozubereitung ganze Kaffeebohnen zu verwenden, die frisch gemahlen wurden.
- Neben dem verwendeten Kaffee trägt auch die Verwendung von frischem, kaltem Wasser, das frei von Chlor, Gerüchen und anderen Verunreinigungen ist, zu einem perfekten Espresso bei.
- Bewahren Sie Ihr Espressomehl in einem luftdichten Behälter und an einem kühlen, trockenen Ort auf, um das Aroma zu erhalten. Das Kaffeemehl sollte nicht über einen längeren Zeitraum aufbewahrt werden, da es sonst an Geschmack verliert.

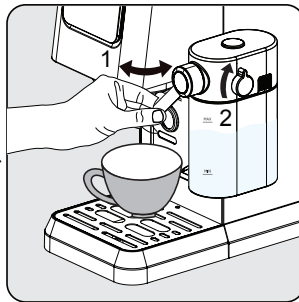
i

### 4.3 Cappuccino und Latte zubereiten

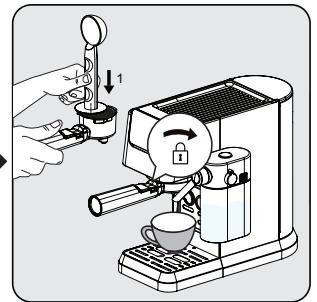
Cappuccino oder Latte sind Kombinationen aus einem Schuss Espresso mit unterschiedlichen Mengen an heißer Milch und Milchschaum.



Halten Sie den Milchbehälter mit einer Hand und drücken Sie die Taste oben am Deckel des Milchbehälters, um den Milchbehälter nach rechts zu entfernen. Nehmen Sie den Deckel des Milchtanks ab, indem Sie die Entriegelungstaste auf der rechten Seite des Deckels drücken.



Füllen Sie Milch in den Milchtank ein. Die Milch sollte immer unter der Max-Markierung liegen. Die empfohlene Temperatur für Milch ist 4-8 °C (~ 40-46 °F). Setzen Sie den Deckel des Milchbehälters auf und befestigen Sie den Milchbehälter am Gerät, er muss hörbar einrasten. Achten Sie darauf, dass der Milchbehälter richtig sitzt. Stellen Sie den Winkel des Milchschaumauslasses über der Tasse ein. Stellen Sie die Milchschaumdichte mit Hilfe des Drehknopfes nach Ihren Wünschen ein.

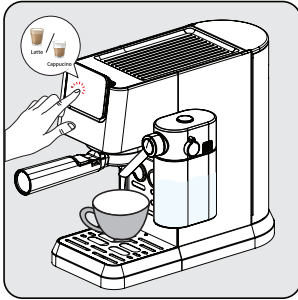


Setzen Sie den Einzelkorb in den Portafilter ein. Füllen Sie den Filter mit fein gemahltem Espressopulver (ca. 8-15g). Drücken Sie das Pulver mit der flachen Seite des Kaffeeöffels an. Setzen Sie den Siebträger unter dem Kaffeeauslauf ein. Richten Sie ihn am Entriegelungssymbol aus, schieben Sie ihn in die Rille und drehen Sie ihn langsam nach rechts zum Verriegelungssymbol.

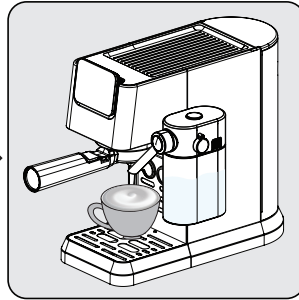
i

Bei dieser Maschine kann der Benutzer das Schaumverhältnis einstellen, indem er den Drehknopf von Max bis Min dreht, um den gewünschten Schaum zu erhalten. Die empfohlene Einstellung für Latte ist min-mid, für Cappuccino ist mid-max. Stellen Sie die Milchschaumdichte nach Ihren Vorlieben ein.

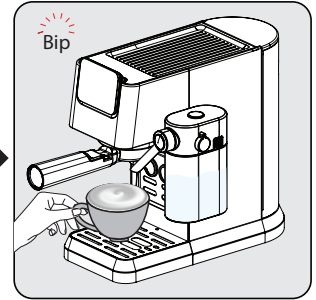
## 4 Vorbereitung



Drücken Sie die Taste "Cappuccino oder Latte", dann ertönt ein Piepton. Die Taste für das gewählte Getränk beginnt zu blinken und der Brühvorgang beginnt.




Die Pumpe arbeitet intermittierend, wenn der Milchschaum in die Tasse gelangt. Wenn der Milchschaum fertig ist, beginnt das Gerät automatisch mit dem Aufbrühen des Kaffees.



Wenn das Gerät einmal piept, ist das Getränk fertig - genießen Sie es!  
- Das Gerät kehrt in den Ruhezustand zurück.

### 4.4 Brühen / Hinzufügen von Milchschaum

Füllen Sie den Milchtank ein und stellen Sie den Drehknopf in die richtige Position. Drücken Sie die Milchschaumtaste . Die Maschine beginnt automatisch mit der Milchausgabe (90-140 ml). Nach Beendigung des Vorgangs kehrt die Maschine in den Leerlauf zurück.

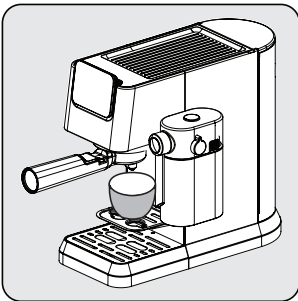


Achten Sie immer darauf, dass der Milchtank richtig eingesetzt ist. Wenn er nicht richtig eingesetzt ist, leuchten die Tasten für Cappuccino, Latte und Milchschaum nicht und die Funktionen sind nicht verfügbar. Dies wird durch einen Summer mit 3 Pieptönen angezeigt.

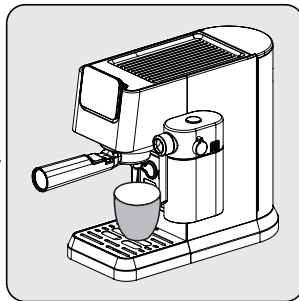


Das Entfernen des Milchbehälters hat keinen Einfluss auf die Kaffeezubereitung, die Programme für einfachen/doppelten Espresso können weiter verwendet werden.

### 4.5 Einstellen der Höhe für verschiedene Tassengrößen



Für kleinere Tassen kann die Tassenablage (3) verwendet werden.



Für mittelgroße Tassen stellen Sie die Tasse über die Tropfschale (6) in normaler Position.



Wenn die Abtropfschale für größere Tassen herausgenommen wird, sollte sie direkt nach der Zubereitung des Getränks wieder in das Gerät eingesetzt werden. Wird die Abtropfschale nach der Getränkezubereitung nicht wieder eingesetzt, kann aufgrund der internen Systemauslösung Wasser in den Boden gelangen, das dann manuell mit einem trockenen Tuch gereinigt werden muss.



## 5 Betrieb und Verwendung

### 5.1 Einstellen der Kaffee-/Milchmenge

#### Einstellen der Mengen für einfachen und doppelten Espresso

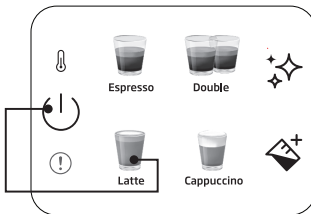
1. Wählen Sie die Funktion, die umprogrammiert werden soll. Drücken Sie die entsprechende Taste (einfacher oder doppelter Espresso) und halten Sie sie gedrückt. Sie hören einen Piepton. [Die programmierbaren Mengen für einfachen/doppelten Espresso (min: 30/60ml, max: 50/100ml)]
2. Lassen Sie die Taste erst los, wenn die gewünschte Kaffeemenge durchgelaufen ist. Sie hören zwei Pieptöne. Diese Menge ist nun unter der entsprechenden Funktion gespeichert.

#### Mengeneinstellung für Latte, Cappuccino & Milchschaum

1. Wählen Sie die Funktion, die umprogrammiert werden soll. Drücken Sie die entsprechende Taste (Cappuccino, Latte oder Milch) und halten Sie sie gedrückt. Sie hören einen Piepton. (Die kürzeste Zeit für die Zubereitung von Milch beträgt 10s, die längste Zeit 45s).
2. Lassen Sie die Taste erst los, wenn die gewünschte Brühzeit der Milch abgelaufen ist. Sie hören zwei Pieptöne. Diese Zeit ist nun unter der entsprechenden Funktion gespeichert.
3. Um die Menge des schwarzen Kaffees zu ändern, drücken Sie nach Abschluss der Milchausgabe das Symbol für das ausgewählte Getränk und halten Sie es gedrückt, bis die gewünschte Menge durchgelaufen ist.

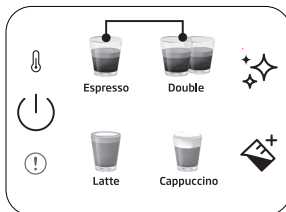


Die angepassten Getränkeinstellungen werden im Gerätespeicher für die zukünftige Verwendung gespeichert, bis sie zurückgesetzt oder erneut geändert werden.



#### Um ein einzelnes Getränk auf die Standard-/Werkseinstellung zurückzusetzen:

Halten Sie eine beliebige Getränketaste und die Einschalttaste gleichzeitig länger als 3 Sekunden gedrückt, um die ausgewählte Getränkemenge zurückzusetzen.



#### So setzen Sie alle Getränke auf die Standard-/Werkseinstellung zurück:

Halten Sie die Tasten für einfachen und doppelten Espresso gleichzeitig für mehr als 3 Sekunden gedrückt, um die gesamte Getränkemenge zurückzusetzen.



Standby-Zeit: Das Gerät schaltet sich nach 29 Minuten ohne Bedienung (oder nach der Arbeit) automatisch ab.

## 6 Reinigung

### 6.1 Reinigen des Milchtanks

Gießen Sie Wasser in den Milchbehälter bis zum MAX-Füllstand und drücken Sie die Milchschaumtaste "☼" ". Nehmen Sie anschließend die Teile des Milchtanks (9) (11) heraus und reinigen Sie sie unter klarem Wasser.



- Reinigen Sie den Milchbehälter nach jedem Gebrauch, um Milchrückstände zu vermeiden.

### 6.2 Reinigungs-/Spülfunktion

Zur Reinigung des Brühkopfes einen Behälter unter den Brühkopf stellen und die Reinigungstaste "☼" drücken. Die Reinigung ist innerhalb von 16 Sekunden abgeschlossen und das Gerät ist wieder einsatzbereit.

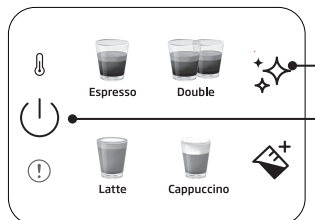


- Wenn Sie die Maschine mehr als 5 Tage hintereinander nicht benutzen, spülen Sie den Wassertank aus und entleeren Sie ihn.
- Die Tropfschale und ihr Gitter (6) (4) können manuell unter klarem Wasser gereinigt werden.
- Geben Sie den Siebträger nicht in den Geschirrspüler.

### 6.3 Entkalkungsfunktion

Wenn eine Entkalkung erforderlich ist, leuchtet das Entkalkungssymbol "☼" orange auf. Stellen Sie einen Behälter mit einem Fassungsvermögen von 1,5 l unter den Brühkopf. Gießen Sie Wasser in den Wassertank bis zum MAX-Füllstand und mischen Sie es mit Entkalker oder Zitronensäure. Halten Sie die Entkalkungstaste "☼" länger als 3 Sekunden gedrückt und Sie hören zwei Pieptöne, die anzeigen, dass der erste Entkalkungszyklus begonnen hat. Der erste Zyklus dauert etwa 15 Minuten. Sobald er abgeschlossen ist, wird das Entkalkungssymbol weiß "☼".

Leeren Sie den Behälter unter dem Brühkopf und setzen Sie ihn wieder ein. Reinigen Sie den Wassertank und füllen Sie ihn bis zum MAX-Füllstand mit sauberem Wasser. Halten Sie die Entkalkungstaste "☼" länger als 3 Sekunden gedrückt. Sie hören zwei Pieptöne, die anzeigen, dass der zweite Entkalkungszyklus begonnen hat. Der zweite Zyklus dauert etwa 6 Minuten. Sobald er abgeschlossen ist, schaltet das Gerät in den Leerlauf zurück und ist betriebsbereit.



#### So setzen Sie die Entkalkungswarnung zurück:

Halten Sie die Einschalt- und die Entkalkungstaste gleichzeitig für mehr als 3 Sekunden gedrückt.



- Die Entkalkung ist nach dem vordefinierten Brühzyklus erforderlich.
- Das Zurücksetzen des Entkalkungswarnstatus wird nicht empfohlen, um den besten Zustand des Geräts zu erhalten.

# 7 Problembehandlung

## 7.1 Probleme, mögliche Ursachen und Abhilfemaßnahmen

Problem	Ursache	Abhilfe
<b>Der Kaffee läuft an der Seite des Siebträgers herunter.</b>	Der Siebträger (2) ist nicht richtig eingesetzt.	Drehen Sie den Griff des Siebträgers (2) weiter nach rechts.
	Der Rand des Siebs ist nicht frei von gemahlenem Kaffee	Schalten Sie die Maschine aus, nehmen Sie den Siebträger (2) heraus und reinigen Sie die Ränder des Siebs.
	Das Sieb im Brühkopf ist verschmutzt.	Reinigen Sie den Brühkopf mit einem feuchten Tuch und führen Sie die Reinigungsfunktion aus, ohne den Siebträger einzusetzen.
<b>Es fließt nur sehr wenig oder gar kein Kaffee durch den Siebträger.</b>	Kein Wasser im Tank.	Füllen Sie den Tank mit Wasser auf.
	Das Sieb im Brühkopf ist verstopft.	Lassen Sie Wasser durch das Sieb laufen, ohne den Siebträger (2) einzusetzen. Wenn kein Wasser durchkommt, schrauben Sie das Sieb ab, reinigen Sie es und setzen Sie es wieder ein.
	Das Sieb ist verstopft.	Korrektur: Reinigen Sie das Sieb, setzen Sie es in den Siebträger (2) ein und lassen Sie Wasser ohne Kaffee durchlaufen. Wenn kein Wasser durch das Sieb läuft, wenden Sie sich an den Kundendienst, um ein Ersatzsieb zu bestellen.
<b>Der Espresso wird nur tropfenweise ausgegeben.</b>	Der Kaffeesatz ist zu fein oder zu fest eingedrückt.	Stampfen Sie den Kaffeesatz nicht so fest. Verwenden Sie einen gröberen Mahlgrad des Kaffees.
	Maschine durch Kalkablagerungen verstopft.	Entkalken Sie das Gerät. Siehe Seite 15.
<b>Espresso brüht zu schnell.</b>	Das Kaffeemehl ist zu grob.	Verwenden Sie einen feineren Mahlgrad.
	Zu wenig Kaffee im Sieb.	Verwenden Sie mehr gemahlene Kaffee.
<b>Keine Crema.</b>	Der Kaffee ist alt oder zu trocken.	Frischen Kaffee verwenden.
	Der Kaffee wird nicht fest genug nach unten gedrückt. Das Wasser drückt zu schnell durch den Kaffee.	Drücken Sie das Kaffeemehl fester an. Verwenden Sie einen feineren Mahlgrad.
	Der Kaffee ist zu grob.	Verwenden Sie ein Kegelmahlwerk, um einen feineren und gleichmäßigeren Mahlgrad zu erhalten.
	Die Kaffeemischung eignet sich nicht für Espresso-Kaffee.	Wechseln Sie die Espresso-Marke.
<b>Zu wenig Schaum beim Aufschäumen von Milch.</b>	Die Milch ist nicht frisch.	Frische Milch verwenden.
	Milch nicht geeignet.	Prüfen Sie, ob die Milch zum Aufschäumen geeignet ist.
	Die Milch war von Anfang an zu warm.	Verwenden Sie Milch direkt aus dem Kühlschrank (34°F).
	Nicht genug Milch zum Aufschäumen.	Verwenden Sie mehr kalte Milch.
	Die Milcheinlassöffnung ist verstopft.	Reinigen Sie die Milcheinlassöffnung.

## Technische Daten



**Stromversorgung:** 220-240 V~, 50-60 Hz

**Leistung:** 1376 - 1628 W

Technische und optische Änderungen vorbehalten.

## Service und Ersatzteile

Unsere Geräte werden nach den neuesten technischen Erkenntnissen entwickelt, produziert und geprüft. Sollte trotzdem eine Störung auftreten, so bitten wir Sie, sich mit Ihrem Fachhändler bzw. mit der Verkaufsstelle in Verbindung zu setzen. Sollte dies nicht möglich sein, wenden Sie sich bitte an das BEKO GRUNDIG Service-Center unter folgenden Kontaktdaten:

Telefon: 0911 / 590 597 29  
(Montag bis Freitag von 08.00 bis 18.00 Uhr)  
E-Mail: [service@bg-deutschland.de](mailto:service@bg-deutschland.de)  
Homepage: [www.grundig.com/de-de/support](http://www.grundig.com/de-de/support)  
(Elektrokleingeräte)

Unter den oben genannten Kontaktdaten erhalten Sie ebenfalls Auskunft über den Bezug möglicher Ersatz- und Zubehörteile.

## BEKO GRUNDIG Kundenberatungszentrum

Montag bis Freitag von 8.00 bis 18.00 Uhr  
Deutschland : 0911 / 590 597 30  
Österreich : 0820 / 220 33 22 \*  
\* gebührenpflichtig (0,145 €/Min. aus dem  
Festnetz, Mobilfunk: max. 0,20 €/Min.)

Haben Sie Fragen?

Unser Kundenberatungszentrum steht Ihnen werktags stets von 8.00 – 18.00 Uhr zur Verfügung.

Sehr geehrte Kundin, sehr geehrter Kunde,

als Käufer eines Haushaltskleingerätes der Marke Beko stehen Ihnen die gesetzlichen Gewährleistungsrechte (Nachbesserung und Nacherfüllung) aus dem Kaufvertrag zu. Die Gewährleistung erfolgt für die Fehlerfreiheit bei Geräteübergabe entsprechend dem jeweiligen Stand der Technik. Über die Gewährleistung hinaus räumt Ihnen der Hersteller eine Garantie ein, diese schränkt die gesetzliche Gewährleistung – die für 24 Monate ab dem Kaufdatum gilt - nicht ein. Garantiert wird die Mängelbeseitigung durch Reparatur oder Austausch nach Wahl des Herstellers.

Sollte eine Störung an Ihrem Gerät auftreten, wenden Sie sich bitte an Ihren Fachhändler bzw. den Verkäufer. Dieser wird vor Ort das Gerät prüfen und den Kundenservice durchführen. Auch soweit Ansprüche aus der Herstellergarantie bestehen, werden diese nur durch den Verkäufer abgewickelt.

### **Die Garantiezeit beträgt 24 Monate ab Kaufdatum.**

#### **Bedingungen:**

1. Ein maschinell erstellter Original-Kaufbeleg liegt vor.
2. Das Gerät ist nur mit Original-Zubehör und Original-Ersatzteilen betrieben worden.
3. Die in der Gebrauchsanweisung erwähnten Wartungs- und Reinigungsarbeiten sind entsprechend ausgeführt worden.
4. Das Gerät wurde nicht geöffnet/zerlegt.
5. Bauteile, die einem gebrauchsbedingtem Verschleiß unterliegen, fallen nicht unter die Garantie
6. Ausgewechselte Teile werden Eigentum des Herstellers.
7. Ausgeschlossen von der Garantie sind die Mängel, die durch unsachgemäße Installation, z.B. Nichtbeachtung der VDE-Vorschriften; unsachgemäße Aufstellung, z.B. Nichtbeachtung der Einbau- oder Installationsvorschriften; äußere Einwirkung, z.B. Transportschäden, Beschädigung durch Stoß oder Schlag, Schäden durch Witte-rungseinflüsse, unsachgemäße Bedienung oder Beanspruchung, z.B. Nichtbeachtung der Gebrauchsanweisungen verursacht wurden.
8. Eine gewerbliche oder gleichzustellende Nutzung, z.B. in Hotels, Pensionen, Gaststät-ten, Arztpraxen oder Gemeinschaftsanlagen, gilt als eine nicht bestimmungsgemäße Benutzung, die die Garantie ausschließt.
9. Die Mängelbeseitigung verlängert die ursprüngliche Garantiezeit nicht.
10. Schadenersatzansprüche, auch hinsichtlich Folgeschäden, sind, soweit sie nicht auf Vorsatz oder grober Fahrlässigkeit beruhen, ausgeschlossen.
11. Der Anspruch auf Garantieleistung steht nur dem Erstkäufer zu und erlischt bei Wei-terverkauf des Produktes durch den Erstkunden.
12. Die Garantie gilt für neue Produkte und nicht für Produkte, die als Gebrauchtgeräte verkauft worden sind und nicht für B-Ware.
13. Die Garantie ist nicht übertragbar.

**Diese Garantiezusage ist nur gültig innerhalb der Bundesrepublik Deutschland**

Garantiebedingungen - Beko – Version Februar 2021

# Veillez d'abord lire ce manuel d'utilisation !

Cher/Chère client(e),

Merci d'avoir choisi un produit Beko. Nous espérons que vous obtenez les meilleurs résultats de votre appareil qui est fabriqué avec une haute qualité et une technologie de pointe. Par conséquent, veuillez lire attentivement ce manuel d'utilisation et tous les autres documents d'accompagnement avant d'utiliser l'appareil et conservez-le comme référence pour une utilisation future. Si vous transmettez le produit à quelqu'un d'autre, veuillez lui remettre également le manuel d'utilisation. Veuillez tenir compte de tous les avertissements et informations figurant dans le manuel d'utilisation.

## Explication des symboles

Les symboles suivants sont utilisés dans les différentes sections de ce manuel :



Informations importantes ou consignes utiles relatives à l'utilisation.



**DANGER :** Cet avertissement concerne les situations dangereuses pour la vie et les biens.



**AVERTISSEMENT :** Cet avertissement indique des situations potentiellement dangereuses.



**ATTENTION :** Cet avertissement indique le risque de dommages matériels.



Les matériaux sont adaptés au contact alimentaire



FR

Cet appareil  
et ses accessoires  
se recyclent

À DÉPOSER  
EN MAGASIN



À DÉPOSER  
EN DECHETERIE



OU

Points de collecte sur [www.quefairedemesdechets.fr](http://www.quefairedemesdechets.fr)  
Privilégiez la réparation ou le don de votre appareil !



PAPIER  
RECYCLÉ ET  
RECYCLABLE



FR

ÉLÉMENTS  
PAPIER



Cette section comprend les instructions de sécurité qui permettront d'assurer une protection contre les risques de blessures corporelles et de pertes matérielles. Le non-respect de ces instructions annule la garantie accordée.

## 1.1 Danger du courant électrique

Danger pour la vie par le courant électrique !

Le contact avec des fils ou des composants sous tension peut entraîner des blessures graves, voire la mort !

Respectez les consignes de sécurité suivantes pour éviter les chocs électriques :

- N'utilisez pas la machine à café si le câble de raccordement ou la fiche secteur sont endommagés.
- Avant de réutiliser la machine à café, le câble d'alimentation doit être renouvelé par un électricien qualifié.
- N'ouvrez pas le boîtier de la

machine à café. Risque de choc électrique en cas de contact avec des connexions sous tension et/ou de modification de la configuration électrique et mécanique.

## 1.2 Danger de brûlure ou d'échaudage

Certaines parties de la machine à café peuvent devenir très chaudes pendant le fonctionnement ! Les boissons distribuées et les vapeurs qui s'échappent sont très chaudes ! Respectez les consignes de sécurité suivantes pour éviter de vous brûler ou de vous ébouillanter vous-même et/ou les autres :

- Ne touchez à aucun des manchons métalliques des deux bacs à café.
- Évitez le contact direct de la peau avec la vapeur qui s'échappe ou l'eau chaude de rinçage, de nettoyage et de détartrage.

## 1.3 Précautions de sécurité fondamentales

Respectez les consignes de sécurité suivantes pour garantir une manipulation sûre de la machine à café :

- Ne jouez jamais avec le matériel d'emballage. Risque de suffocation.
- Contrôlez la machine à café avant de l'utiliser pour détecter les signes visibles de dommages. N'utilisez pas une machine à café endommagée.
- Si le câble d'alimentation est endommagé, faites-le remplacer par le fabricant, son agent ou toute autre personne qualifiée pour éviter tout risque.
- Les réparations de la machine à café doivent être effectuées uniquement par un spécialiste agréé ou par le service clientèle de l'usine. Les réparations non qualifiées peuvent entraîner un danger considérable pour l'utilisateur. Elles annuleront également la garantie.
- Les réparations de la machine à café pendant la période de garantie ne peuvent être effectuées que par des centres de service agréés par le fabricant, faute de quoi la garantie sera annulée en cas de dommages ultérieurs.
- Les pièces défectueuses ne peuvent être remplacées que par des pièces de rechange d'origine. Seules les pièces de rechange d'origine garantissent que les exigences de sécurité soient respectées.
- Cet appareil peut être utilisé par des personnes ayant des capacités physiques, sensorielles ou mentales réduites ou manquant d'expérience et de connaissances s'ils ont reçu une supervision ou des instructions concernant l'utilisation de l'appareil de manière sûre et comprennent les dangers impliqués.
- Cet appareil peut être utilisé par des enfants âgés d'au moins 8 ans s'ils sont surveillés ou ont



## Consignes importantes sur la sécurité et l'environnement

- reçu des instructions relatives à l'utilisation sécurisée de l'appareil et comprennent les risques encourus. Le nettoyage et l'entretien de l'appareil ne doivent pas être effectués par des enfants de moins de 8 ans, sauf s'ils sont surveillés. Tenez l'appareil ainsi que son cordon hors de la portée des enfants âgés de moins de 8 ans.
- Les enfants ne doivent pas jouer avec l'appareil.
  - Cet appareil est conçu pour être utilisé dans les maisons et des endroits similaires tels que :
    - les espaces de cuisine dans les boutiques, bureaux et autres environnements de travail ;
    - maisons de campagne ;
    - les cuisines pour clients dans les hôtels, motels et autres lieux d'habitation ;
    - les gîtes touristiques.
  - Protégez la machine à café contre les effets du temps tels que la pluie, le gel et la lumière directe du soleil. N'utilisez pas la machine à café à l'extérieur.
  - Cet appareil ne doit pas être immergé.
  - Ne nettoyez pas la machine à café ou ses accessoires dans un lave-vaisselle.
  - Ne versez aucun autre liquide que de l'eau et ne placez pas de denrées alimentaires dans le réservoir d'eau.
  - Ne remplissez pas le réservoir d'eau au-delà de la marque maximale (1,1 litre).
  - Ne faites fonctionner l'appareil que lorsque le bac à marc, le bac d'égouttage et la grille d'égouttage sont installés.
  - Ne tirez pas sur le câble pour retirer la fiche de la prise de courant et ne touchez pas avec les mains mouillées.
  - Ne tenez pas la machine à café avec le câble d'alimentation..
  - Avant de retirer le réservoir d'eau pour le remplir ou pour le vider, veillez toujours à mettre l'appareil hors tension.
  - Placez toujours l'appareil sur une surface de travail plane,

stable et résistante à la chaleur.

- Avant l'infusion, le porte-filtre doit être tourné vers la droite aussi fermement que possible afin d'éviter qu'il ne se desserre sous l'effet de la haute pression.
- Une utilisation incorrecte peut entraîner des blessures graves. Afin d'éviter tout risque d'incendie, d'électrocution ou de blessures corporelles, n'immergez pas le cordon d'alimentation, ni la fiche, ni le socle de chauffage dans de l'eau ou d'autres liquides. N'utilisez pas un appareil dont le cordon ou la fiche sont endommagés, qui présente des dysfonctionnements, qui a été renversé ou qui est endommagé de quelque façon que ce soit. Veuillez contacter le fabricant ou son service clientèle.
- La surface de l'élément chauffant émet de la chaleur résiduelle après utilisation ; évitez de la toucher, utilisez plutôt la poignée ou le bouton.

Tenez toujours vos mains loin du récipient et de la machine lorsque celle-ci est en fonctionnement et même après, afin de réduire le risque de blessures corporelles.

- La cafetière ne doit pas être placée dans une armoire lorsqu'elle est utilisée.

## 1.4 Utilisation prévue

La machine à café expresso manuelle Beko est destinée à être utilisée à domicile et dans des applications similaires, par exemple dans les cuisines du personnel, les magasins, les bureaux et autres lieux similaires ou par les clients des chambres d'hôtes, des hôtels, des motels et autres lieux d'habitation. Cette machine à café n'est pas destinée à un usage commercial. La machine est uniquement destinée à la préparation du café et au chauffage du lait et de l'eau. Toute autre utilisation que celle indiquée précédemment est considérée comme une utilisation abusive.

### **Danger résultant d'une utilisation incorrecte !**

Si elle n'est pas utilisée conformément à sa destination ou utilisée de toute autre manière, la machine à café peut être ou devenir une source de danger.



- Par conséquent, la machine à café ne peut être utilisée que pour l'usage auquel elle est destinée.
- Respectez les procédures décrites dans ce manuel d'utilisation.

Aucune réclamation de quelque nature que ce soit ne sera acceptée pour des dommages ou des blessures résultant de l'utilisation de la machine à café à des fins autres que celles auxquelles elle est

# Consignes importantes sur la sécurité et l'environnement

destinée.

Le risque doit être supporté uniquement par le propriétaire de la machine.

## 1.5 Limitation de responsabilité

Toutes les informations techniques, données et instructions concernant l'installation, le fonctionnement et l'entretien de la machine à café contenues dans le présent mode d'emploi représentent l'état actuel au moment de l'impression et sont basées sur les meilleures connaissances possibles acquises par l'expérience et le savoir-faire.

Les informations, illustrations et descriptions contenues dans ce manuel d'utilisation ne peuvent donner lieu à aucune réclamation.

Le fabricant n'assume aucune responsabilité pour les dommages ou les blessures résultant du non-respect du manuel d'utilisation, d'une utilisation autre que celle prévue, de réparations non professionnelles, de modifications non autorisées ou de l'utilisation de pièces de rechange non approuvées.

## 1.6 Conformité avec la directive WEEE et élimination des déchets :

Ce produit est conforme à la directive européenne WEEE (2012/19/EU). Ce produit porte un symbole de classification pour les déchets d'équipements électriques et électroniques (WEEE).



Ce symbole indique que ce produit ne doit pas être éliminé avec les autres déchets ménagers à la fin de sa vie utile. Les appareils usagés doivent être retournés au point de collecte officiel pour le recyclage des dispositifs électriques et électroniques. Pour trouver ces systèmes de collecte, veuillez contacter les autorités locales ou le détaillant où l'appareil a été acheté. Chaque ménage joue un rôle important dans la restauration et le recyclage des vieux appareils. La mise au

rebut appropriée des appareils usagés permet de prévenir les conséquences négatives potentielles pour l'environnement et la santé humaine.

## 1.7 Conformité avec la Directive RoHS

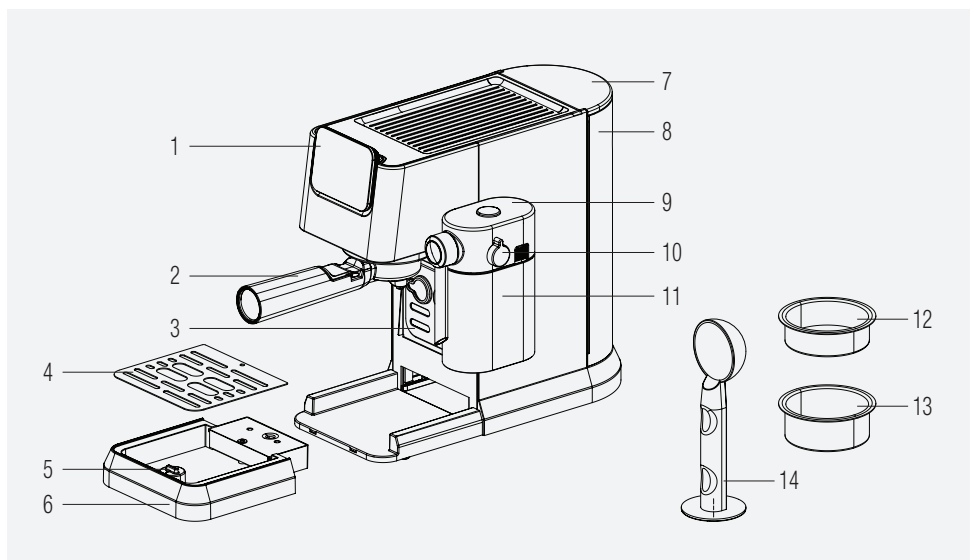
Votre appareil est conforme à la directive RoHS de l'Union européenne (2011/65/UE). Il ne contient pas de matériaux nuisibles et interdits spécifiés dans la directive.

## 1.8 Informations relatives à l'emballage



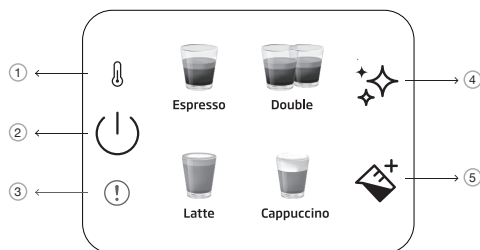
Les matériaux d'emballage de cet appareil sont fabriqués à partir de matériaux recyclables, conformément à nos réglementations nationales en matière d'environnement. Ne mettez pas les matériaux d'emballage au rebut avec les ordures ménagères et d'autres déchets. Apportez-les aux points de collecte des matériaux d'emballage désignés par les autorités locales.

## 2 Présentation du panneau de commande



1. Panneau de commande
2. Porte-filtre
3. Porte-tasse
4. Grille du plateau d'égouttage :
5. Flotteur
6. Plateau d'égouttage
7. Couvercle du réservoir d'eau :
8. Réservoir d'eau
9. Couvercle de la carafe à lait
10. Bouton de réglage de la mousse de lait
11. Carafe à lait
12. Filtre pour Espresso simple
13. Filtre pour Espresso double
14. Cuillère tasse-mouture

### 2.1 Panneau de commande



1		Indicateur de préchauffage :
2		Bouton Marche/Arrêt
3		Erreur générale
4		Nettoyage et détartrage
5		Carafe à lait

Toutes les valeurs déclarées sur le produit et sur les brochures imprimées sont relevées après des mesures de laboratoire effectuées conformément aux normes correspondantes. Ces valeurs peuvent varier en fonction de l'utilisation et des conditions ambiantes.

## 3 Données techniques

**Alimentation** : 220 à 240 V~, 50 à 60 Hz

**Puissance** : 1376 - 1628 W

Les droits d'apporter des modifications techniques et de conception sont réservés.

Toutes les valeurs déclarées sur le produit et sur les dépliants imprimés ont été obtenues à partir de mesures de laboratoire effectuées conformément aux normes en vigueur. Ces valeurs peuvent varier en fonction de l'utilisation et des conditions ambiantes.

### Dimension du produit

20,5 cm (largeur) x 30,8 cm (hauteur) x 42,3 cm (profondeur)

Largeur sans carafe à lait : 14,4cm

Profondeur sans porte-filtre : 32,5 cm

**Poids** : 3,85 ± 0,5 kg

**Longueur du câble** : 90 cm

### Capacité des filtres

**Simple** : 10g

**Double** : 17g

**Capacité du plateau d'égouttage** : 0,2 L

**Capacité du réservoir d'eau** : 1.1±5%L

**Temps de préchauffage de la machine** : < 55 s

### **Volume de café (paramètres par défaut) :**

Espresso : 30-55 ml

Double : 65-95ml

Café au lait : 170-280 ml de lait, 30-55 ml de café

Cappuccino : 114-190 ml de lait, 30-55 ml de café



Ce bouton « ✨ » s'allume en orange lorsque la machine doit être détartrée.

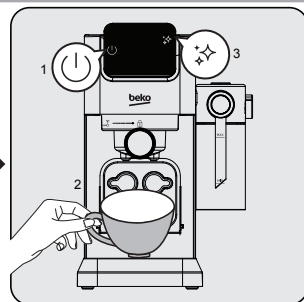
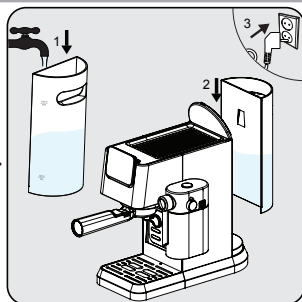
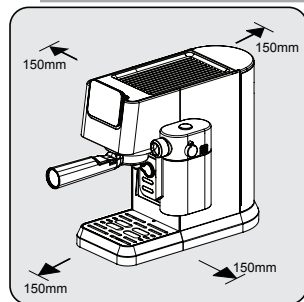


Lorsque le NTC n'est pas connecté à la carte d'alimentation, l'indicateur d'erreur rouge s'allume, et il n'y a aucune réponse lorsque vous appuyez sur n'importe quel bouton.

## 4 Préparation


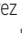
### 4.1 Première utilisation

**i** Retirez les films de protection, les autocollants et tout autre matériel d'emballage de l'appareil.

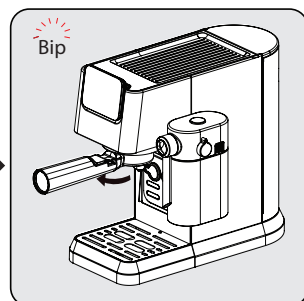
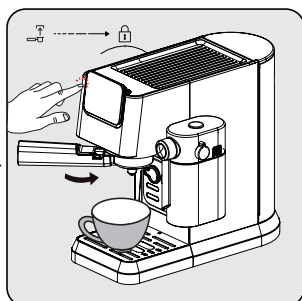
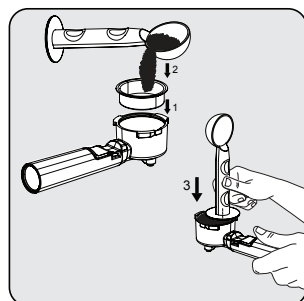


Choisissez une surface sûre et stable avec une alimentation électrique facilement accessible et prévoyez une distance minimale par rapport aux côtés des machines.

Remplissez le réservoir d'eau au moins jusqu'au niveau de la marque MIN, et au plus jusqu'au niveau de la marque MAX. N'utilisez pas d'eau chaude. Insérez ensuite le réservoir dans la machine et l'autre extrémité du cordon d'alimentation dans une prise murale aux spécifications de tension appropriées.

Le bouton Marche / Arrêt «  » du panneau de commande s'allume. Appuyez sur ce bouton pour mettre en marche la machine. Mettez une tasse sous la tête d'infusion et appuyez sur le bouton de nettoyage «  ». La machine émet un bip et démarre le nettoyage. Une fois le nettoyage terminé, la machine est prête pour utilisation.

### 4.2 Infusion d'un simple/double Espresso



Placez le filtre à simple ou double espresso dans le porte-filtre. Remplissez le filtre avec du café fraîchement moulu à l'aide de la cuillère (environ 8 à 15 g) et utilisez-la pour tasser la poudre. À l'aide de l'extrémité tasse-mouture de la cuillère, appliquez une pression d'environ 15 kg pour tasser la poudre de manière uniforme et ferme.

Installez le porte-filtre sous la sortie à café. Alignez-le avec le symbole de déverrouillage, glissez-le dans la rainure et tournez-le doucement vers la droite jusqu'au symbole de verrouillage.

- Placez une tasse à café directement sous la sortie à café.
- Appuyez sur le bouton espresso simple ou double et la machine émet un bip.
- Le bouton espresso sélectionné commence à clignoter et la machine démarre la préparation du café.

Une fois l'infusion terminée, la machine émet un autre bip et passe en mode veille. Retirez le porte-filtre dans le sens horaire. Nettoyez le porte-filtre et séchez-le après chaque utilisation.

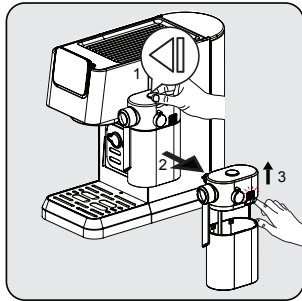
## 4 Préparation

i

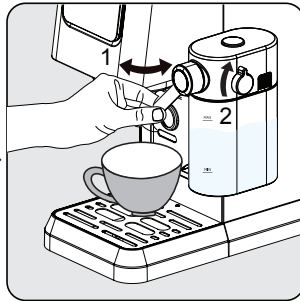
- Attendez 5 secondes après l'infusion avant de retirer le filtre. Vous pouvez alors retirer le filtre mobile facilement.
- La mouture de café est inutilisable après l'infusion.
- Videz le filtre à l'aide du petit loquel manuel situé sur le porte filtre.
- Pour garantir un espresso à température toujours optimale, il est recommandé de préchauffer les tasses.
- Pour un espresso plein de saveurs, il est recommandé d'utiliser des grains de café fraîchement moulus à chaque préparation.
- Outre le type de café utilisé, l'utilisation d'eau froide exempte de chlore, d'odeurs ou d'autres impuretés garantit un espresso parfait.
- Conservez vos graines d'espresso dans un récipient étanche à l'air, et dans un endroit frais et sec afin d'en conserver la saveur. La mouture ne doit pas être conservée trop longtemps, car cela réduit sa saveur.

### 4.3 Infusion du Cappuccino et du café au lait

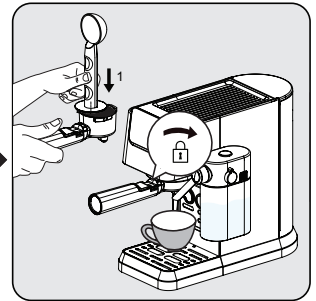
Le Cappuccino et le café au lait sont des combinaisons d'une dose d'espresso avec différentes quantités de lait chaud et de mousse au lait.



En tenant la carafe à lait d'une main, appuyez de l'autre main sur le bouton au dessus du couvercle de la carafe à lait et retirez la carafe vers la droite. Retirez le couvercle en appuyant sur le bouton de libération situé du côté sur la droite sur le couvercle.



Ajoutez du lait dans la carafe. Ne remplissez jamais la carafe à lait au-delà de la marque Max. La température recommandée pour le lait est de 4 à 8 °C (~ 40 à 46 °F). Remettez le couvercle sur la carafe à lait et replacez-la dans l'appareil ; assurez-vous d'entendre un clic qui indique qu'elle est bien en place. Assurez-vous que la carafe à lait est bien placée. Réglez l'angle de la buse de sortie de lait sur la tasse. Réglez la densité de la mousse de lait à l'aide du bouton de réglage à votre convenance.

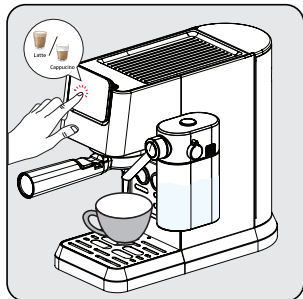


Insérez le filtre de dosage simple dans le porte-filtre. Remplissez le filtre de café fraîchement moulu (environ 8-15 g). Tassez la poudre à l'aide du côté plat de la cuillère. Installez le porte-filtre sous la sortie de café. Alignez-le avec le symbole de déverrouillage, glissez-le dans la rainure et tournez-le doucement vers la droite jusqu'au symbole de verrouillage.

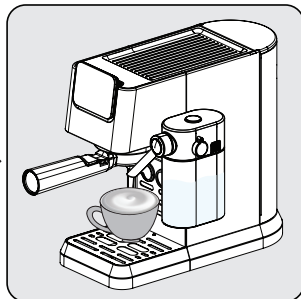
## 4 Préparation

**i**

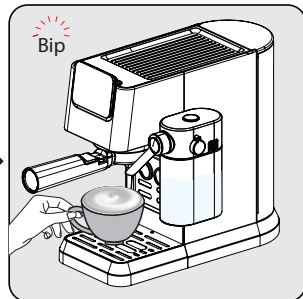
La machine permet à l'utilisateur de régler la densité de la mousse en tournant le bouton correspondant de Max à Min afin d'obtenir la dose de mousse souhaitée. Le réglage recommandé pour le Latte est compris entre Min et Moyen, celui du Cappuccino entre Moyen et Max. Réglez la densité de la mousse de lait à votre convenance.



Appuyez sur le bouton « Cappuccino ou Latte », et la machine émet un bip. Le bouton du café sélectionné clignote et la préparation du café commence.




La pompe fonctionne de manière intermittente : le remplissage de la tasse commence par la mousse de lait. Après la mousse de lait, l'infusion du café commence automatiquement.



Lorsque vous entendez un bip de l'appareil, le café est prêt pour dégustation ! La machine repasse en veille.

### 4.4 Infusion/ajout de mousse de lait

Remplissez la carafe à lait et réglez le bouton à la position souhaitée. Appuyez sur le bouton de la carafe à lait «  ». La machine démarre automatiquement la distribution du lait (90-140 ml). Une fois celle-ci terminée, la machine repasse en mode veille.



Assurez-vous toujours de placer correctement la carafe à lait. Lorsqu'elle n'est pas bien placée, les boutons du cappuccino, du latte et de la carafe à lait s'éteignent et les fonctions correspondantes ne sont pas disponibles. Un signal sonore sous forme d'un triple bip est émis pour l'indiquer.

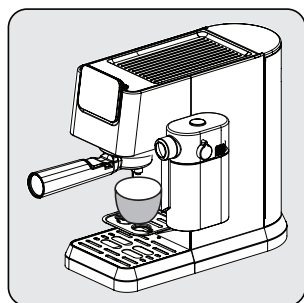
**i**

Le retrait de la carafe à lait n'affecte pas l'infusion du café, et les programmes de simple/double espresso peuvent être utilisés.

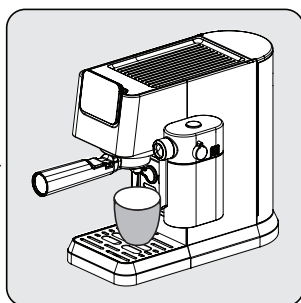


## 4 Préparation

### 4.5 Réglage de la hauteur en fonction de la taille de la tasse



Pour les petites tasses, vous pouvez utiliser le plateau à tasses (3).



En revanche, placez les tasses moyennes sur le plateau d'égouttage (6) en position normale.



En cas de retrait du plateau d'égouttage pour les grandes tasses, vous devez le réinstaller dans la machine au terme de la préparation du café. Si vous ne le réinstallez pas à ce moment, l'eau relâchée dans le système interne pourrait se répandre sur le socle, et il faudrait alors la nettoyer à l'aide d'un chiffon sec.

## 5 Fonctionnement et utilisation

### 5.1 Réglage du volume de café/de lait

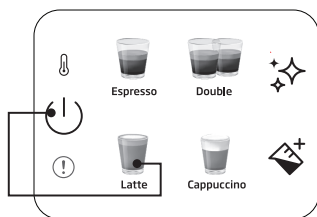
#### Réglage des doses simple et double d'expresso

1. Sélectionnez la fonction à reprogrammer. Appuyez sur le bouton correspondant (simple ou double espresso) et maintenez-le enfoncé. Un bip est émis. [Quantités programmables de simple/double espresso (min : 30/60 ml, max : 50/100 ml)]
2. Ne relâchez le bouton que lorsque vous avez atteint la dose souhaitée de café. Un double bip est émis. Le dosage est maintenant enregistré dans la fonction correspondante.

#### Réglage des doses de lait pour le latte, le cappuccino et la mousse de lait

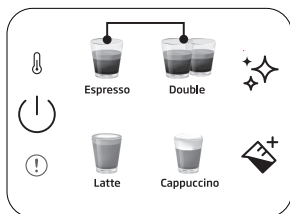
1. Sélectionnez la fonction à reprogrammer. Appuyez sur le bouton correspondant (cappuccino, latte ou carafe à lait) et maintenez-le enfoncé. Un bip est émis. La plus brève durée d'infusion est 10 s, la plus longue 45 s).
2. Ne relâchez le bouton que lorsque la durée d'infusion de lait souhaitée est atteinte. Un double bip est émis. La durée est maintenant enregistrée dans la fonction correspondante.
3. Pour modifier la dose de café noir, une fois la distribution de lait terminée, appuyez sur l'icône du type de café sélectionné et maintenez le bouton enfoncé jusqu'à ce que vous atteigniez la dose souhaitée.

**i** Les paramètres des types de cafés sont enregistrés dans la mémoire de l'appareil pour des utilisations ultérieures jusqu'à leur réinitialisation ou modification.



#### Pour réinitialiser un type de café aux paramètres par défaut/usine :

Appuyez sur un bouton de type de café simultanément avec le bouton Marche/Arrêt et maintenez-les enfoncés pendant plus de 3 secondes pour réinitialiser le type de café sélectionné.




#### Pour réinitialiser toutes les boissons aux paramètres par défaut/usine :

Appuyez sur les boutons de simple et double espresso simultanément et maintenez-les enfoncés pendant plus de 3 secondes pour réinitialiser tous les dosages.

**i** Arrêt automatique : la machine s'éteint automatiquement au bout de 29 minutes d'inactivité (ou après l'avoir utilisée).

## 6 Nettoyage


### 6.1 Nettoyage du réservoir à lait

Versez de l'eau dans le réservoir à lait jusqu'à la marque MAX et appuyez sur le bouton de la carafe à lait «  ». Une fois le nettoyage terminé, démontez les composants (9) (11) de la carafe à lait et lavez-les à de l'eau propre.



Nettoyez la carafe à lait après chaque utilisation afin d'éviter la présence de résidus de lait.




### 6.2 Fonction de nettoyage/rinçage


Pour nettoyer la tête d'infusion, placez un récipient sous celle-ci et appuyez sur le bouton de nettoyage «  ». Le nettoyage s'effectue en 16 secondes et après ce délai, la machine est à nouveau prête pour utilisation.

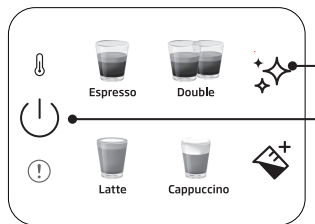


- Si vous n'utilisez pas la machine pendant 5 jours d'affilée, rincez et vidangez le réservoir d'eau.
- Le plateau d'égouttage et sa grille (6) (4) peuvent être nettoyés manuellement à l'eau claire.
- Le porte-filtre n'est pas lavable au lave-vaisselle.

### 6.3 Fonction de détartrage

Lorsqu'un détartrage est nécessaire, l'icône de détartrage «  » s'allume en orange. Placez un récipient de 1,5 l de capacité sous la tête d'infusion. Versez de l'eau dans le réservoir d'eau jusqu'au niveau MAX et ajoutez-y un détartrant ou de l'acide citrique. Appuyez sur le bouton de détartrage «  » et maintenez-le enfoncé pendant plus de 3 secondes, et vous entendez un bip qui indique le démarrage du premier cycle de détartrage. Le premier cycle de détartrage dure environ 15 minutes. Une fois qu'il est terminé, l'icône de détartrage «  » vire au blanc.

Videz le réservoir et remplacez-le sous la tête d'infusion. Nettoyez et remplissez d'eau propre le réservoir d'eau jusqu'au niveau MAX. Appuyez sur le bouton de détartrage «  » et maintenez-le enfoncé pendant plus de 3 secondes, et vous entendez un bip qui indique le démarrage du second cycle de détartrage. Le second cycle de détartrage dure environ 6 minutes. Une fois qu'il est terminé, la machine repasse en mode veille est prête pour utilisation.



#### Pour réinitialiser l'état d'avertissement de détartrage :

Appuyez simultanément sur le bouton Marche/Arrêt et sur le bouton de détartrage et maintenez-les enfoncés pendant plus de 3 secondes.



- Un détartrage est nécessaire après un nombre d'utilisation prédéfini.
- La réinitialisation de l'état d'avertissement de détartrage n'est pas suggérée pour maintenir le meilleur état de l'appareil.

## 7.1 Problèmes, causes probables et actions correctives

Problème	Cause	Action corrective
<b>Du café s'écoule sur le côté du porte-filtre.</b>	Le porte-filtre (2) n'est pas bien placé.	Tournez la poignée du porte-filtre (2) vers la droite.
	Il y a du café moulu sur le bord du filtre.	Arrêtez la machine, retirez le socle du porte-filtre (2) et nettoyez les bords du filtre.
	La tête d'infusion est sale.	Nettoyez la tête d'infusion à l'aide d'un chiffon imbibé d'eau et exécutez la fonction de nettoyage sans installer le porte-filtre.
<b>Le café ne coule pas ou trop peu à travers le porte-filtre.</b>	Il n'y a pas d'eau dans le réservoir d'eau.	Remplissez le réservoir d'eau.
	Le filtre à l'intérieur de la tête d'infusion est obstrué.	Faites couler un expresso sans installer le porte-filtre (2) pour voir si de l'eau s'écoule. Si l'eau ne s'écoule pas, dévissez le filtre, nettoyez-le puis revissez-le.
	Le filtre est obstrué.	Nettoyez le filtre, insérez-le dans le porte-filtre (2) et pompez de l'eau à l'intérieur sans café. Si de l'eau ne sort pas par le filtre, contactez le service clientèle pour commander un filtre de rechange.
<b>L'expresso n'est infusé qu'en gouttes.</b>	La mouture de café est trop fine ou a été tassée trop fermement.	Ne tassez pas trop fermement la mouture de café. Utilisez une mouture plus grossière.
	La machine est obstruée par des dépôts de calcaire.	Procédez au détartrage de l'appareil. Reportez-vous à la page 15.
<b>L'infusion d'expresso est trop rapide.</b>	La mouture de café est trop grossière.	Utilisez une mouture plus fine.
	Il n'y a pas assez de café moulu dans le filtre.	Utilisez plus de café moulu.
<b>Il n'y a pas de crema.</b>	Café vieilli ou trop sec.	Utilisez du café frais.
	Le café n'a pas été tassé assez fermement. L'eau pénètre trop rapidement dans le café.	Tassez la mouture de café plus fermement. Utilisez une mouture plus fine.
	La mouture de café est trop grosse.	Utilisez un broyeur à meules coniques pour obtenir une mouture plus fine et plus régulière.
	Ce mélange de café n'est pas approprié pour l'expresso.	Changez de type ou de marque de café.
<b>Il n'y a pas assez de mousse de lait.</b>	Le lait n'est pas frais.	Utilisez du lait frais.
	Lait non approprié.	Vérifiez que le lait est adéquat pour réaliser une mousse de lait.
	Le lait était trop chaud dès le départ.	Utilisez du lait très froid.
	Il n'y a pas assez de lait pour la mousse de lait.	Mettez plus de lait froid dans la carafe à lait.
	La buse de lait est obstruée.	Nettoyez la buse de lait.

# ¡Lea el Manual del usuario antes del uso!

Estimado Cliente,

Gracias por elegir un producto Beko. Esperamos que obtenga los mejores resultados con su producto, el cual ha sido fabricado con altas calidades y la última tecnología. Por lo tanto, le rogamos que lea detenidamente este manual de usuario y todos los demás documentos que lo acompañan antes de utilizar el producto y que lo conserve como referencia para un uso futuro. Si entrega el producto a otra persona, también entregue el manual de usuario. Siga todas las advertencias e información del manual de usuario.

## Explicación del símbolos

Los siguientes símbolos se utilizan en las distintas secciones de este manual:



Información adicional o consejos útiles sobre el uso.



**PELIGRO:** Advertencia para situaciones de riesgo con respecto a la vida y la propiedad.



**ADVERTENCIA:** Esta advertencia indica situaciones potencialmente peligrosas.



**PRECAUCIÓN:** Esta advertencia indica la posibilidad de daños materiales.



Los materiales son aptos para el contacto con alimentos



**PAPEL RECICLADO Y  
RECICLABLE**

## Instrucciones importantes respecto a seguridad y medio ambiente

Esta sección comprende las instrucciones de seguridad que contribuirán a brindar protección contra los riesgos de lesiones personales y pérdidas materiales. El incumplimiento de estas instrucciones causará la pérdida de cualquier tipo de garantía.

### 1.1 Peligro de corriente eléctrica

¡Peligro mortal por la corriente eléctrica!

¡Entrar en contacto con cables o componentes en tensión podría provocar lesiones graves o incluso la muerte!

A fin de evitar las descargas eléctricas, respete las siguientes precauciones de seguridad:

- No utilice la cafetera en caso de que el cable de conexión o el enchufe de la red estén dañados.
- Antes de reutilizar la cafetera, un electricista cualificado debe renovar el cable de la red eléctrica.

- No abra la carcasa de la cafetera. Corre el riesgo de sufrir una descarga eléctrica en caso de tocar conexiones con tensión y/o cambiar la configuración eléctrica y mecánica.

### 1.2 Peligro de quemaduras o escaldaduras

¡Es posible que algunas partes de la cafetera se calienten demasiado durante la operación!  
¡Las bebidas que se dispensan y el vapor que se escapa estarán muy calientes!

A fin de evitar quemaduras o escaldaduras en usted o en otros, respete las siguientes medidas de seguridad:

- No toque ninguna de las fundas metálicas de las dos salidas de café.
- Evite el contacto directo de la piel con el vapor que escapa o con el agua caliente de enjuague, limpieza y desincrustación.

## 1.3 Precauciones fundamentales de seguridad

A fin de garantizar un manejo seguro de la cafetera, respete las siguientes precauciones de seguridad:

- Nunca juegues con el material de embalaje. Riesgo de asfixia.
- Antes de utilizar la cafetera, revísela para ver si tiene algún daño visible. No utilice una cafetera dañada.
- En caso de que el cable de corriente esté dañado, debe ser reemplazado por el fabricante o su agente o por una persona cualificada similar para evitar riesgos.
- Sólo un especialista autorizado o el servicio de atención al cliente de la fábrica pueden realizar las reparaciones de la cafetera. En caso de reparaciones no cualificadas, existe un peligro considerable para el usuario. Asimismo, la garantía se anula.
- Cualquier reparación de la cafetera durante el período de garantía sólo puede ser realizada por centros de servicio autorizados por el fabricante, ya que de lo contrario la garantía quedará anulada en caso de daños consecuentes.
- Las piezas defectuosas deben ser sustituidas únicamente por piezas de recambio originales. El cumplimiento de los requisitos de seguridad sólo se garantiza con piezas de repuesto originales.
- El aparato puede ser utilizado por personas con capacidades físicas, sensoriales o mentales reducidas o con falta de experiencia y conocimientos, siempre que estén bajo supervisión o hayan recibido instrucciones pertinentes sobre el uso del aparato de manera segura y comprendan los peligros que conlleva.
- Este aparato puede ser utilizado por niños de 8 años y mayores si están bajo supervisión

## Instrucciones importantes respecto a seguridad y medio ambiente

o son instruidos acerca del uso del aparato en una forma segura y si entienden los riesgos involucrados. La limpieza y el mantenimiento por el usuario no deberá ser realizado por niños a menos que sean mayores de 8 y estén supervisados. Mantenga el aparato y su cable fuera del alcance de los niños menores de 8 años.

- No deje que los niños jueguen con el aparato.
- Este aparato está destinado para usos domésticos y similares como en:
  - zonas de cocina del personal en tiendas, oficinas y otros entornos de trabajo;
  - casas de campo;
  - por clientes en hoteles, moteles y otros entornos de tipo residencial;
  - entornos de tipo cama y desayuno.
- Proteja la cafetera contra los efectos de las condiciones climáticas como la lluvia, las

heladas y la luz solar directa. No utilice la cafetera al aire libre.

- No se debe sumergir el aparato.
- No limpie la cafetera o sus accesorios en un lavavajillas.
- No vierta líquidos distintos al agua ni ponga alimentos en el depósito de agua.
- No rellene el depósito de agua por encima de la marca máxima (borde inferior del orificio de llenado) (1,1 litros).
- Opere la cafetera únicamente cuando el contenedor de residuos, la bandeja de goteo y la rejilla de taza estén instalados.
- Para desconectar el enchufe de la toma no tire del cable ni lo toque con las manos húmedas.
- No sujete la cafetera por el cable de alimentación.
- Mantenga el aparato y su cable fuera del alcance de los niños menores de 8 años.
- Antes de extraer el depósito de agua para llenarlo o vaciarlo,



## Instrucciones importantes respecto a seguridad y medio ambiente

apague siempre la máquina.

- Coloque siempre el aparato sobre una superficie de trabajo plana, estable y resistente al calor.
- Antes de colar, el portafiltro debe girarse hacia la derecha lo más apretado posible para evitar que se afloje debido a la alta presión.
- El uso incorrecto puede provocar lesiones graves. Para evitar incendios, descargas eléctricas o lesiones personales, no sumerja el cable, los enchufes eléctricos ni la base calefactora en agua u otros líquidos. No utilice ningún aparato con el cable o el enchufe dañados, después de que el aparato funcione mal o se haya caído o dañado de cualquier forma. Póngase en contacto con el fabricante o con el servicio al cliente.
- La superficie del elemento calefactor está sujeta a calor residual después del uso, no toque la superficie caliente,

utilice el asa o el botón. Mantenga siempre las manos alejadas del recipiente y de la máquina durante el uso y después del mismo para reducir el riesgo de lesiones a las personas.

- La cafetera no se colocará en un armario cuando esté en uso.

### 1.4 Uso previsto

La cafetera espresso manual Beko está diseñada para su uso en hogares y aplicaciones similares, por ejemplo en cocinas de personal, tiendas, oficinas y áreas similares o por clientes en bed & breakfast, hoteles, moteles y otros alojamientos. Esta cafetera no está destinada al uso comercial. La cafetera sólo está destinada a preparar café y a calentar leche y agua. Todo uso distinto al indicado anteriormente se considera como uso indebido.

#### **Peligro por uso inadecuado.**

La cafetera puede ser o llegar a ser una fuente de peligro en caso de no utilizarla para el fin previsto o utilizarla de cualquier otra manera.



- Por lo tanto, la cafetera se puede utilizar únicamente para su propósito previsto.
- Observe los procedimientos descritos en este manual de instrucciones.

No se aceptarán reclamaciones de ningún tipo por daños o lesiones derivadas del uso de la cafetera fuera de su finalidad.

El riesgo será asumido exclusivamente por el propietario de la cafetera.

# Instrucciones importantes respecto a seguridad y medio ambiente

## 1.5 Limitación de responsabilidad

Toda la información técnica, los datos y las instrucciones de instalación, operación y mantenimiento de la cafetera que figuran en estas instrucciones representan la situación actual en el momento de la impresión y están basados en el mejor conocimiento posible adquirido por la experiencia y los conocimientos técnicos.

No se puede hacer ninguna reclamación basada en la información, las ilustraciones y las descripciones que figuran en este manual de usuario.

El fabricante no asume ninguna responsabilidad por daños o lesiones derivados de la inobservancia de las instrucciones de uso, de un uso distinto al previsto, de reparaciones no profesionales, de modificaciones no autorizadas o del uso de piezas de repuesto no homologadas.

## 1.6 Cumplimiento de la Directiva WEEE y eliminación del producto

Este aparato cumple con la Directiva WEEE de la UE (2012/19/EU). El presente producto lleva el símbolo de clasificación de residuos de aparatos eléctricos y electrónicos (WEEE).



Este símbolo indica que este producto no debe desecharse junto con otros desechos domésticos al final de su vida útil. El dispositivo usado se debe entregar al punto de recogida oficial

para el reciclaje de dispositivos eléctricos y electrónicos. Para encontrar estos sistemas de recogida, póngase en contacto con las autoridades locales o con el minorista donde compró el producto. Cada hogar juega un papel importante en la recuperación y el reciclaje de los electrodomésticos viejos. La eliminación adecuada de los electrodomésticos usados ayuda a prevenir posibles consecuencias negativas para el medio ambiente y la salud humana.

## 1.7 Cumplimiento de la Directiva RoHS

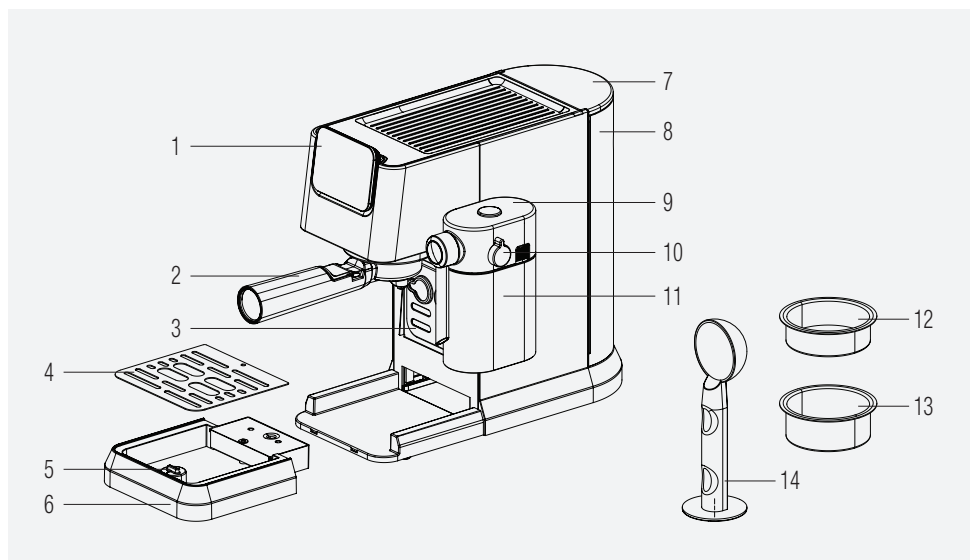
El producto que ha adquirido es conforme con la Directiva RoHS de UE sobre la restricción de sustancias peligrosas (2011/65/EU). No contiene materiales nocivos y prohibidos especificados en la Directiva.

## 1.8 Información sobre el paquete



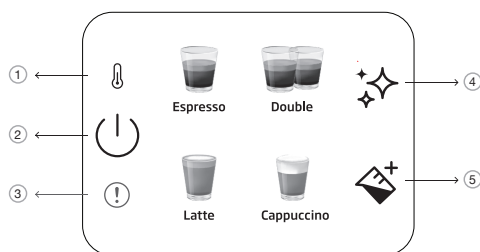
Los materiales de embalaje del producto están fabricados con materiales reciclables de acuerdo con nuestras Regulaciones Nacionales del Medio Ambiente. No elimine los materiales de embalaje junto con los desechos domésticos o de otro tipo. Llévelos a los puntos de recogida de materiales de envasado designados por las autoridades locales.

## 2 Vista general y panel de mandos



1. Panel de control
2. Portafiltro
3. Portavasos
4. Rejilla de la bandeja de goteo
5. Flotador
6. Bandeja recogegotas
7. Tapa del depósito de agua
8. Depósito de agua
9. Tapa del depósito de leche
10. Botón de ajuste de la espuma de leche
11. Depósito de leche
12. Cesta para café espresso individual
13. Cesto para café espresso doble
14. Cuchara de café / Tamper

### 2.1 Panel de mandos



1		Indicador de precalentamiento
2		Botón de encendido/apagado y cancelación
3		Error general
4		Botón de limpieza y descalcificación
5		Botón de leche

Todos los valores declarados sobre el producto y en los folletos impresos fueron recopilados después de las mediciones de laboratorio realizadas conforme a los estándares relacionados. Estos valores pueden variar en función del uso y las condiciones ambientales.

## 3 Datos técnicos

**Corriente:** 220-240 V~, 50-60 Hz

**Potencia:** 1376 - 1628 W

Se reservan los derechos para realizar cambios técnicos y de diseño.

Todos los valores declarados sobre el producto y en los folletos impresos fueron recopilados después de las mediciones de laboratorio realizadas conforme a los estándares relacionados. Estos valores pueden variar según el uso y las condiciones ambientales.

**Dimensión del producto :**

20,5 cm (Anchura) x 30,8 cm (Altura) x 42,3 cm (Profundidad)

[Ancho sin leche taza: 14,4 cm

Profundidad sin portafiltro: 32,5 cm]

**Peso:** 3.85±0.5kg

**Longitud del cable** >90 cm

**Capacidades del cesto**

**Individual** 10g

**Doble:** 17g

**Capacidad de la bandeja recoge gotas:** Hasta 0,2 L

**Capacidad del tanque de agua:** 1.1±5%L

**Tiempo de precalentamiento de la máquina:** <55s

**Volumen de café (ajustes por defecto):**


Espresso: 30-55ml

Doble: 65-95ml

Café con leche: 170-280 ml leche, 30-55 ml café

Cappuccino: 114-190 ml leche, 30-55 ml café



Este botón «» se iluminará en color naranja cada vez que la máquina necesite descalcificarse.

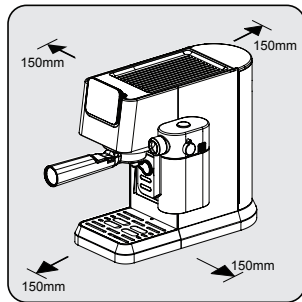


Si el NTC no está conectado a la placa de alimentación, la luz roja del indicador de error estará encendida en ese momento y no habrá respuesta si se pulsa algún botón.

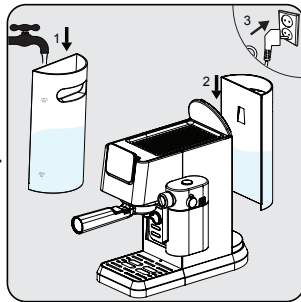
## 4 Preparación

### 4.1 Primer uso

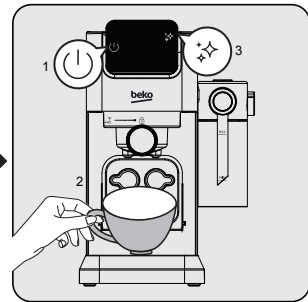
**i** Retire las películas protectoras, las pegatinas y cualquier otro material de embalaje del aparato.

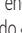



Elija una superficie segura y estable con una fuente de alimentación de fácil acceso y deje la mínima distancia posible de los lados de las máquinas.

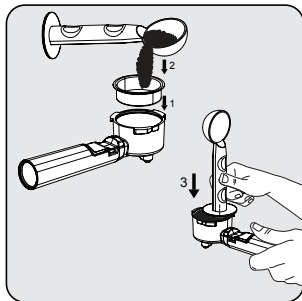


Llene el depósito de agua con agua pura, fresca y fría, como mínimo hasta la marca MIN y como máximo hasta la marca MAX. (No añada agua caliente) A continuación, introduzca el depósito en la máquina y el otro extremo del cable de alimentación en una toma de corriente con la tensión adecuada.

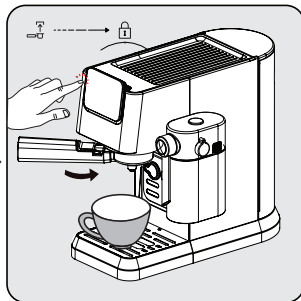


Se encenderá el botón de encendido/apagado «» del panel de mandos. Pulse dicho botón para encender la máquina. Coloque una taza justo debajo del cabezal de infusión y pulse el botón de limpieza «». La máquina emitirá un pitido e iniciará la limpieza. Una vez completado, la máquina estará lista para su uso.

### 4.2 Preparación de un espresso o un espresso doble

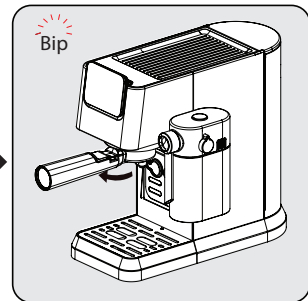


Coloque la cesta para café espresso individual o doble en el portafiltro. Rellene el filtro con café en polvo recién molido con una cuchara dosificadora (aprox. 8-15 g) y utilice la cuchara para aplastar el exceso de polvo. Con el extremo apisonador de la cuchara, aplique unos 15 kg para presionar el polvo de forma uniforme y firme.



Instale el portafiltro debajo de la salida de café. Alinéelo con el símbolo de desbloqueo, deslicelo en la ranura y gírelo lentamente hacia la derecha hasta el símbolo de bloqueo.

- Coloque una taza de café justo debajo de la salida de café.
- Pulse el botón simple o doble y sonará un pitido.
- el café seleccionado empezará a parpadear y comenzará la preparación de la bebida.



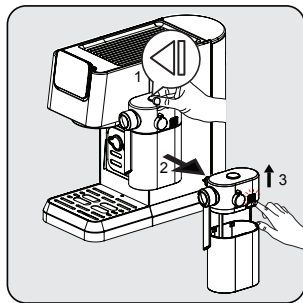
Una vez finalizada la preparación, la máquina emitirá un pitido y entrará en modo de reposo. Retire el portafiltro en el sentido de las agujas del reloj. Limpie el portafiltro y séquelo después de cada uso.

## 4 Preparación

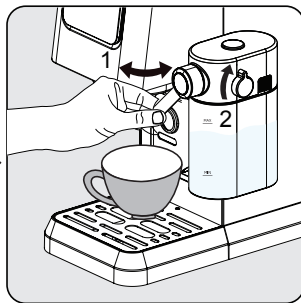
- Espere 5 segundos después de colar y saque el filtro. Esto ayudará a retirar fácilmente el filtro móvil.
- El café en polvo no se puede utilizar después de la preparación.
- Utilice la extensión del asa para expulsar los restos de café mientras mantiene la cesta en su sitio.
- Para garantizar que su espresso se mantiene a la temperatura óptima, le recomendamos que precaliente sus tazas.
- Para extraer el máximo sabor de sus granos de café, le recomendamos que utilice granos de café enteros recién molidos cada vez que prepare un espresso.
- Además del café utilizado, el uso de agua fresca y fría libre de cloro, olores y otras impurezas ayudará a garantizar un espresso perfecto.
- Guarde los posos de espresso en un recipiente hermético y en un lugar fresco y seco para conservar el sabor. El café molido no debe conservarse durante mucho tiempo, ya que se reduce su sabor.

### 4.3 Preparación de Cappuccino & Latte

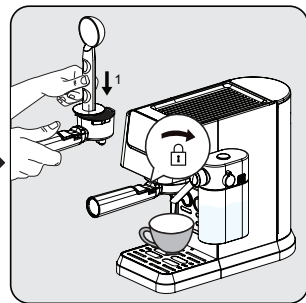
Cappuccino o Latte son combinaciones de un shot de espresso con diferentes cantidades de leche caliente y espuma de leche.



Sujetando el depósito de leche con una mano, pulse el botón situado en la parte superior de la tapa del depósito de leche para extraerlo hacia la derecha. Retire la tapa del depósito de leche pulsando el botón de desbloqueo situado en el lado derecho del cuerpo de la tapa.



Añada leche al depósito de leche. La leche debe estar siempre por debajo de la marca de máximo. La temperatura recomendada para la leche es de 4-8 ° C (~ 40-46 ° F). Coloque la tapa del depósito de leche y acople el depósito de leche al aparato, debe encajar de forma audible. Asegúrese de que el depósito de leche encaja correctamente. Ajuste el ángulo de salida de la espuma de leche sobre la taza. Ajuste la densidad de la espuma de leche con la ayuda del mando en función de sus preferencias.

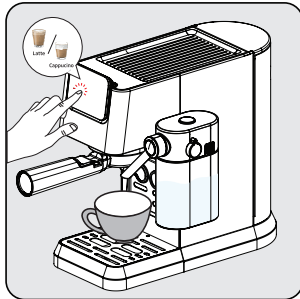


Introduzca la cesta individual en el portafiltro. Llene el filtro con café espresso en polvo finamente molido (aprox. 8-15g). Presione el polvo hacia abajo con el lado plano de la cuchara de café. Instale el portafiltro debajo de la salida de café. Alinéelo con el símbolo de desbloqueo, deslucelo en la ranura y gírelo lentamente hacia la derecha hasta el símbolo de bloqueo.

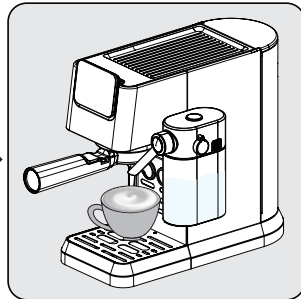


Esta máquina permite al usuario ajustar la proporción de espuma girando el botón de Max a Min para disfrutar de la espuma deseada. El ajuste sugerido para Latte es min-mid, Cappuccino es mid-max. Ajuste la densidad de la espuma de leche según sus preferencias.

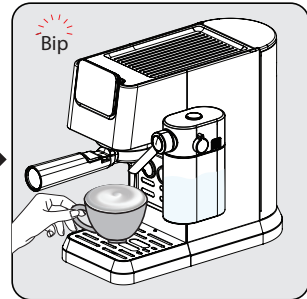
## 4 Preparación



Pulse el botón "cappuccino o latte", después sonará un pitido. El botón de bebidas seleccionado comenzará a parpadear y se iniciará la preparación.



La bomba funcionará de forma intermitente cuando la espuma de leche entre por primera vez en la taza. Cuando la espuma de leche esté lista, el aparato comenzará automáticamente a preparar el café.



Cuando la unidad emita un pitido, las bebidas estarán listas; ¡disfrútelas!  
- la máquina volverá al modo de reposo.

### 4.4 Preparar / Añadir espuma de leche

Llene el depósito de leche y ajuste el mando en su posición. Pulse el botón de espuma de leche "☼". La cafetera empezará de forma automática a dispensar leche (90-140 ml). Una vez completado, la máquina volverá a la fase de reposo.

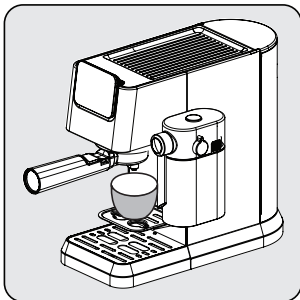


Asegúrese siempre de que el depósito de leche está colocado correctamente. Si no está bien colocado, los botones de capuchino, café con leche y espuma de leche se apagarán y las funciones no estarán disponibles. El zumbador emitirá 3 pitidos para indicarlo.

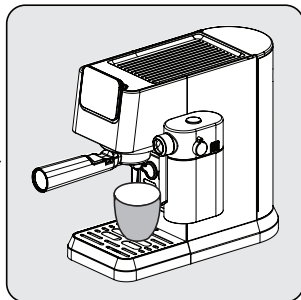


La extracción del depósito de leche no afecta a la preparación del café, se pueden utilizar los programas de espresso simple/doble.

### 4.5 Ajuste de la altura para diferentes tamaños de taza



Para tazas más pequeñas, puede utilizarse la bandeja para tazas (3).



Para tazas de tamaño medio, coloque la taza sobre la bandeja de goteo (6) en posición normalmente insertada.



Si se extrae la bandeja recogegotas para preparar tazas más grandes, vuelva a colocarla en la máquina justo después de terminar la preparación de la bebida. Si la bandeja recogegotas no se vuelve a colocar después de la preparación de la bebida, debido a la liberación interna del sistema, el agua podría llegar a la base y necesitaría una limpieza manual con un paño seco.

## 5 Funcionamiento y uso

### 5.1 Ajuste del volumen de café/leche

#### Ajuste de las cantidades de café espresso individual y doble

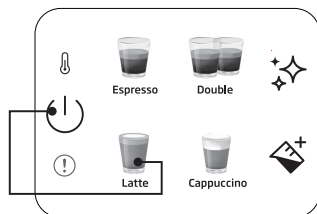
1. Seleccione la función que desea reprogramar. Pulse el botón apropiado (espresso simple o doble) y manténgalo pulsado. Oirá un pitido. [cantidades programables de espresso simple/doble (min: 30/60ml, máx: 50/100ml)]
2. Suelte el botón sólo cuando haya pasado la cantidad de café deseada. Oirá dos pitidos. Esta cantidad se guarda ahora en la función correspondiente.

#### Ajuste de las cantidades de Latte, Cappuccino y Espuma de Leche

1. Seleccione la función que desea reprogramar. Pulse el botón apropiado (cappuccino, latte o leche) y manténgalo pulsado. Oirá un pitido. (El tiempo más corto de preparación de leche es de 10s, el tiempo más largo es de 45s).
2. Suelte el botón sólo cuando haya pasado el tiempo de preparación de leche que desee. Oirá dos pitidos. Este tiempo se guarda ahora en la función correspondiente.
3. Para cambiar la cantidad de café solo; una vez finalizada la dispensación de leche, mantenga pulsado el icono de la bebida seleccionada hasta que haya pasado la cantidad deseada.

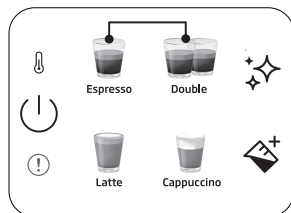


Los ajustes de bebida ajustados se guardarán en la memoria del aparato para su uso futuro hasta que se restablezcan o se cambien de nuevo.



#### Para restablecer una sola bebida al ajuste predeterminado/de fábrica:

Mantenga pulsado cualquier botón de bebida y encendido a la vez durante más de 3 segundos para restablecer la cantidad de bebida seleccionada.



#### Para restablecer todas las bebidas al ajuste predeterminado/de fábrica:

Mantenga pulsados los botones de espresso individual y doble a la vez durante más de 3 segundos para restablecer la cantidad de todas las bebidas.



Tiempo de espera: La máquina se apagará automáticamente después de 29 minutos sin ninguna operación (o después del trabajo).



## 6 Limpieza

### 6.1 Limpieza del depósito de leche

Vierta agua en el depósito de leche hasta el nivel MAX y pulse el botón de espuma de leche «». Una vez finalizado, extraiga los componentes del depósito de leche (9) (11) y límpielos con agua limpia.



Limpie el depósito de leche después de cada uso para evitar que queden restos de leche.




### 6.2 Función de limpieza/enjuague


Para limpiar el cabezal de infusión, coloque un recipiente debajo del cabezal de infusión y pulse el botón de limpieza «». La limpieza se completará en 16 segundos y la máquina estará lista para su uso.

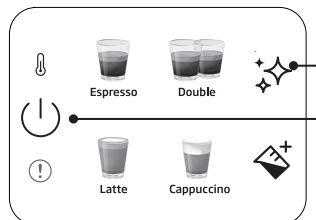


- Si no utiliza la máquina durante más de 5 días consecutivos, enjuague y vacíe el depósito de agua.
- La bandeja recogegotas y su rejilla (6) (4) pueden limpiarse manualmente con agua limpia.
- No introduzca el portafiltro en el lavavajillas.

### 6.3 Función de descalcificación

Cuando sea necesario una descalcificación, el correspondiente icono «» se iluminará en color naranja. Coloque un recipiente con capacidad para 1,5 L debajo del cabezal de infusión. Vierta agua en el depósito de agua hasta el nivel MAX y mézclela con desincrustante o ácido cítrico. Mantenga pulsado el botón de descalcificación «» durante más de 3 segundos y oirá dos pitidos que indican que ha comenzado el primer ciclo de descalcificación. El primer ciclo durará unos 15 minutos. Una vez finalizado, el icono de descalcificación se volverá blanco «».

Vacíe y vuelva a colocar el recipiente debajo del cabezal de infusión. Limpie y llene el depósito de agua hasta el nivel MAX con agua limpia. Mantenga pulsado el botón de descalcificación «» durante más de 3 segundos y oirá dos pitidos que indican que ha comenzado el segundo ciclo de descalcificación. El segundo ciclo durará unos 6 minutos. Una vez completado todo, la máquina volverá a la fase de reposo y estará lista para su uso.



#### Para restablecer el estado de advertencia de descalcificación:

Mantenga pulsados a la vez los botones de encendido y descalcificación durante más de 3 segundos.



- La descalcificación es necesaria después del ciclo de colado predefinido.
- No se sugiere reajustar el estado de advertencia de descalcificación para mantener el mejor estado del aparato.

## 7 Solución de problemas

### 7.1 Problemas, posibles causas y soluciones

Problema	Causa	Solución
<b>El café se derrama por el lateral del portafiltro.</b>	El portafiltro (2) no está bien colocado.	Gire el asa del portafiltro (2) hacia la derecha.
	El borde del tamiz no está libre de café molido	Apague la máquina, retire el soporte del portafiltro (2) y limpie el filtro. bordes del tamiz.
	La rejilla del interior del cabezal de infusión está sucia.	Limpie el cabezal de infusión con un paño húmedo y ejecute la función de limpieza sin colocar el portafiltro.
<b>Por el portafiltro no sale café o sale muy poco.</b>	No hay agua en el depósito.	Llene el depósito de agua.
	La rejilla del interior del cabezal de infusión está bloqueada.	Prepare agua a través de la rejilla sin el portafiltro (2) insertado. Si no sale agua, desenrosque el tamiz, límpielo y vuelva a colocarlo.
	El tamiz está bloqueado.	Corrección: Limpie el tamiz, introdúzcalo en el portafiltro (2) y bombee agua a través de él sin café. Si no sale agua por el tamiz, llame al Servicio de Atención al Cliente para pedir un tamiz de repuesto.
<b>El espresso sólo sale en forma de gotas.</b>	Granos de café demasiado finos o demasiado compactos.	No apisone los posos del café con tanta firmeza. Utilice un molinillo de café más grueso.
	Máquina bloqueada por depósitos de calcio.	Descalcifique el aparato. Consulte la página 15.
<b>El espresso sale demasiado rápido.</b>	El café molido es demasiado grueso.	Utilice un molido más fino.
	No hay suficiente café en el tamiz.	Utilice más café molido.
<b>No hay crema.</b>	Café viejo o demasiado seco.	Utilice café fresco.
	El café no se ha compactado lo suficiente. El agua empuja el café demasiado rápido.	Apisone los posos de café con más firmeza. Utilice un molido más fino.
	Café demasiado grueso.	Utilice un molinillo de fresas cónico para obtener un molido más fino y uniforme.
	Mezcla de café no adecuada para café espresso.	Cambie la marca del café espresso.
<b>No hay suficiente espuma al espumar la leche.</b>	Leche no fresca.	Utilice leche fresca.
	Leche no adecuada.	Compruebe que la leche es apta para hacer espuma.
	La leche estaba demasiado caliente desde el principio.	Utilice leche directamente del frigorífico (34°F).
	No hay suficiente leche para espumar.	Utilice más leche fría.
	Orificio de entrada de leche obstruido.	Limpie el orificio de entrada de la leche.



**Contacto para asistencia técnica:  
902 877 665 / 932 992 581**

### CONDICIONES DE GARANTÍA - ESPAÑA

El presente certificado cubre la garantía de reparación de su electrodoméstico de gama blanca y PAE (\*) durante el periodo de garantía legal previsto en la ley, a partir de la fecha de venta, contra todo defecto de funcionamiento proveniente de fabricación o materiales; o de sustitución del aparato, salvo que una de estas opciones resulte imposible o desproporcionada respecto de la otra. Cuando usted detecte un defecto o anomalía en el aparato contacte de forma inmediata con nosotros para informarnos de la falta de conformidad. Los pequeños electrodomésticos (PAE) deberán ser entregados en el taller del servicio oficial de la marca para su revisión.

La presente garantía sólo será válida si se presenta factura, ticket de compra o el albarán de entrega correspondiente a la adquisición del producto. La presente garantía es válida en el territorio español y portugués para los aparatos distribuidos por Beko Electronics España S.L.. La garantía sólo tendrá validez sobre el primer comprador o adquirente del producto. La garantía será válida para aquellos aparatos cuya instalación sea correcta y estén ubicados en condiciones climáticas y medioambientales adecuadas para su correcto funcionamiento.

### EXCLUSIONES DE LA GARANTÍA

El coste de la reparación será a cargo del usuario en los siguientes casos:

- Los aparatos utilizados para uso profesional o no exclusivamente doméstico.
- Los aparatos desmontados o manipulados por personas ajenas a los servicios técnicos expresamente autorizados.
- Las instalaciones, transporte, sustitución de aparatos, puestas en marcha, cambio de sentido de puertas.
- Intervenciones de mantenimiento o de información sobre el uso de los aparatos.
- Cambio de inyectores en aparatos de gas.
- Las averías provocadas por falta de mantenimiento o limpieza o aquellas provocadas por un uso indebido, sobrecarga, abandono o de manera no conforme a las instrucciones de uso o de instalación de los aparatos.
- Las averías producidas por causas fortuitas, siniestros de fuerza mayor o derivados de instalación incorrecta y en general, averías por causas ajenas al propio aparato.
- Las averías provocadas por conexiones que puedan presentar fluctuaciones, irregularidades o falta de uniformidad en el suministro, por ejemplo: suministro de agua impulsado por grupos de presión, energía solar, energía eólica, generadores eléctricos, u otro tipo de suministro no normalizado.
- La sustitución de materiales rotos o deteriorados por desgaste o uso no normal del aparato, o materiales consumibles tales como: juntas, plásticos, gomas, correas, cristales, escobillas, bombillas, asas, tiradores, tapas de quemadores, filtros, rejillas, ánodos de sacrificio (magnesio o similares) de calentadores o calderas, etc.
- Los aparatos que presenten oxidación, o daños por corrosión en esmaltes o pinturas, que puedan ser provocados por efectos químicos o electroquímicos del agua o cualquier otra sustancia, o aceleradas por circunstancias ambientales o climáticas no propicias.
- Defectos estéticos en serigrafía o pintura.
- Los daños de transporte o manipulación, golpes, etc.
- Los aparatos deben instalarse de forma accesible para su reparación, debiendo asumir el usuario los costes necesarios para el acceso al aparato para su reparación y sustitución.

La presente garantía no afecta a los derechos de que dispone el consumidor conforme a lo previsto en la legislación vigente. El Servicio Oficial de Asistencia Técnica resolverá cualquier incidencia que pudiera precisar su electrodoméstico siempre que el aparato esté instalado de forma accesible.

Para asegurarse que su electrodoméstico va a ser intervenido por un técnico oficial autorizado, rogamos solicite el carnet avalado por ANFEL (Asociación Nacional de Fabricantes de Electrodomésticos) a nuestros técnicos.

Las marcas BEKO y GRUNDIG se distribuyen por Beko Electronics España S.L.

### DATOS APARATO (a rellenar por el Distribuidor):

Titular:		Sello Establecimiento:
Modelo:	Núm. serie:	
Establecimiento:	Fecha de compra:	

**El garante e importador de su electrodoméstico es: BEKO ELECTRONICS ESPAÑA S.L. Calle Provenza nº 388  
3º Barcelona 08025, España.**

**Conóznanos mejor en nuestra página: [www.beko.com](http://www.beko.com) Conserve este documento, es importante para usted.**

(\*) Se consideran electrodomésticos de gama blanca, los aparatos de gran tamaño de cocina, limpieza, refrigeración y ventilación y el pequeño aparato electrodoméstico (PAE) aquellos aparatos de higiene personal, mantenimiento del hogar y preparación de alimentos.



**Contacte a assistência técnica:  
707 014 192 / 215 557 319**

### CONDIÇÕES DE GARANTIA - PORTUGAL

Este certificado cobre a garantia de reparação do seu eletrodoméstico da linha branca e pequeno eletrodoméstico (\*) durante o período de garantia legal determinado pela legislação em vigor a contar da data de compra, contra defeitos de funcionamento provenientes do fabrico ou dos materiais; ou de substituição do aparelho, a menos que uma dessas opções seja impossível ou desproporcionada em relação à outra. Quando detetar um defeito ou anomalia no aparelho entre imediatamente em contacto connosco para nos informar da não conformidade. Os pequenos eletrodomésticos devem ser entregues na oficina de serviço oficial da marca para a sua revisão.

Esta garantia só será válida se for apresentada a fatura, o recibo de compra, ou a nota de entrega correspondente a aquisição do produto. Esta garantia é válida em território espanhol e português para aparelhos distribuído pela Beko Home Appliances Portugal, Unipessoal, Lda. A garantia só é válida para o primeiro comprador ou adquirente do produto. A garantia será válida para os aparelhos cuja instalação esteja correta e que estejam localizados em condições climáticas e ambientais adequadas para o seu correto funcionamento.

### EXCLUSÕES DA GARANTIA

O custo da reparação será pago pelo utilizador nos seguintes casos:

- Aparelhos utilizados para uso profissional ou não exclusivamente doméstico.
- Os equipamentos desmontados ou manuseados por outras pessoas que não os serviços técnicos expressamente autorizados.
- Instalações, transporte, substituição de equipamento, colocação em funcionamento, alteração do sentido das portas.
- Intervenções de manutenção ou informações sobre a utilização dos aparelhos.
- Alteração de injetores em aparelhos a gás.
- As avarias causadas pela falta de manutenção ou limpeza, ou aquelas causadas por um uso inadequado, sobrecarga, abandono ou de uma forma a não respeitar as instruções de uso ou instalação dos aparelhos.
- As avarias provocadas por causas acidentais, sinistros de força maior ou resultantes de instalação inadequada e em geral, avarias por razões não relacionadas com o produto.
- As avarias causadas por ligações que podem apresentar flutuações, irregularidades ou falta de uniformidade no fornecimento, por exemplo: abastecimento de água impulsionado por grupos de pressão, energia solar, energia eólica, geradores de energia elétrica ou outro tipo de fornecimento não-padrão.
- A substituição de materiais quebrados ou danificados por desgaste ou uso não normal do aparelho, ou consumíveis tais como: juntas, plásticos, borracha, correias, vidros, pincéis, lâmpadas, asas, puxadores, tampas de queimadores, filtros, grelhas, ânodos de sacrifício (magnésio ou similares) de aquecedores ou caldeiras, etc.
- Os aparelhos que apresentem oxidação, ou danos por corrosão nos esmaltes ou na pintura, que possam ter sido causados por efeitos químicos ou eletroquímicos da água ou de qualquer outra substância, ou acelerados por circunstâncias ambientais ou climáticas desfavoráveis.
- Defeitos estéticos em serigrafia ou pintura.
- Os danos causados por transporte ou manuseio, colisões, etc.
- Os aparelhos devem ser instalados de forma acessível em caso de reparação, devendo o utilizador assumir os custos necessários para aceder ao aparelho para reparação e substituição.

A presente garantia não afeta os direitos de que o consumidor dispõe conforme o previsto na legislação em vigor.

O Serviço Oficial de Assistência Técnica resolverá qualquer incidente que o seu aparelho possa necessitar, desde que o aparelho seja instalado de forma acessível.

As marcas BEKO e GRUNDIG são distribuídas por Beko Home Appliances Portugal, Unipessoal, Lda

### DADOS DO APARELHO (a ser preenchido pelo Distribuidor):

Detentor:	Carimbo do estabelecimento:	
Modelo:	Nº série:	
Estabelecimento:	Data de compra:	

**O fiador e o importador do seu eletrodoméstico é: Beko Home Appliances Portugal, Unipessoal, Lda; Edifício Amoreiras Square; Rua Carlos Alberto da Mota Pinto, nº 17, 3ªA, Amoreiras 1070-313, Lisboa, Portugal.**

Conheça-nos melhor na nossa página: [www.beko.com](http://www.beko.com) Conserve este documento, é importante para si.

(\*) São considerados eletrodomésticos da linha branca, os aparelhos de cozinha, limpeza, refrigeração e ventilação de tamanho grande e pequenos eletrodomésticos, os de higiene pessoal, manutenção do lar e preparação de alimentos.

# Proszę najpierw przeczytać tę instrukcję obsługi!

Szanowny Kliencie,

Dziękujemy za wybór tego urządzenia firmy Beko. Mamy nadzieję, że urządzenie to, wyprodukowane z zapewnieniem wysokiej jakości przy użyciu najnowszych technologii, okaże się w pełni zadowalające. Prosimy o dokładne zapoznanie się z całą niniejszą instrukcją obsługi oraz wszystkimi innymi dołączonymi dokumentami przed rozpoczęciem użytkowania urządzenia i zachowanie ich jako odniesienia do przyszłego użytku. Jeśli przekazujesz urządzenie innej osobie, przekazaj jej również instrukcję obsługi. Należy wziąć pod uwagę wszystkie ostrzeżenia i informacje zawarte w instrukcji obsługi.

## Objaśnienie symboli

W poszczególnych rozdziałach niniejszej instrukcji stosowane są następujące symbole:



Ważne informacje lub przydatne wskazówki dotyczące obsługi.



**NIEBEZPIECZEŃSTWO:** Ostrzeżenie to dotyczy sytuacji niebezpiecznych dla życia i mienia.



**OSTRZEŻENIE:** Ostrzeżenie to wskazuje na potencjalnie niebezpieczne sytuacje.



**UWAGA:** Ostrzeżenie to wskazuje na możliwość wystąpienia szkód materialnych.



Materiały nadają się do kontaktu z żywnością



**PAPIER Z RECYKLINGU  
I NADAJĄCY SIĘ  
DO PONOWNEGO  
PRZETWORZENIA**

Ta część zawiera instrukcje bezpieczeństwa, które pomogą zapewnić ochronę przed obrażeniami ciała i ryzykiem strat materialnych. Nieprzestrzeganie tych instrukcji spowoduje unieważnienie udzielonej gwarancji.

## 1.1 Zagrożenie porażeniem elektrycznym

Zagrożenie życia przez prąd elektryczny!

Kontakt z przewodami pod lub komponentami pod napięciem może prowadzić do poważnych obrażeń, a nawet śmierci!

Przestrzegaj następujących środków ostrożności, aby uniknąć porażenia prądem elektrycznym:

- Nie używaj ekspresu do kawy, jeśli kabel zasilania lub wtyczka są uszkodzone.
- Przed ponownym użyciem ekspresu do kawy kabel sieciowy musi zostać wymieniony przez wykwalifikowanego elektryka.

- Nie otwieraj obudowy ekspresu do kawy. Niebezpieczeństwo porażenia prądem w przypadku dotknięcia połączeń pod napięciem i/lub zmiany konfiguracji elektrycznej i mechanicznej.

## 1.2 Niebezpieczeństwo poparzenia lub oparzenia

Podczas pracy części ekspresu do kawy mogą się bardzo nagrzewać! Wydawane napoje i wydostająca się para są bardzo gorące!

Przestrzegaj następujących środków ostrożności, aby uniknąć poparzenia siebie i/lub innych osób:

- Nie dotykaj żadnej z metalowych tulejek na obu wylewkach kawy.
- Unikaj bezpośredniego kontaktu skóry z wydobywającą się parą lub gorącą wodą do płukania, czyszczenia i odkamieniania.

## 1.3 Podstawowe środki ostrożności

Aby zapewnić bezpieczną obsługę ekspresu do kawy, należy przestrzegać następujących środków ostrożności:

- Nigdy nie baw się materiałem opakowaniowym. Ryzyko uduszenia.
- Przed użyciem sprawdź ekspres do kawy pod kątem widocznych oznak uszkodzeń. Nie używaj uszkodzonego ekspresu do kawy.
- W razie uszkodzenia przewodu zasilającego należy go wymienić u producenta, jego przedstawiciela lub u osoby o równoważnych kwalifikacjach, aby uniknąć niebezpieczeństwa.
- Naprawy ekspresu do kawy mogą być wykonywane wyłącznie przez autoryzowanego specjalistę lub zakładowy serwis obsługi klienta. Niewykwalifikowane naprawy mogą spowodować poważne zagrożenie dla użytkownika.

Spowoduje to również utratę gwarancji.

- Naprawy ekspresu do kawy w okresie gwarancyjnym mogą być wykonywane wyłącznie przez autoryzowane przez producenta centra serwisowe, w przeciwnym razie gwarancja traci ważność w przypadku późniejszych uszkodzeń.
- Uszkodzone części można wymieniać tylko na oryginalne części zamienne. Tylko oryginalne części zamienne gwarantują spełnienie wymogów bezpieczeństwa.
- Urządzenia mogą być używane przez osoby o ograniczonych możliwościach fizycznych, sensorycznych lub umysłowych albo nieposiadające doświadczenia i wiedzy, jeżeli otrzymały one nadzór lub instrukcję dotyczącą bezpiecznego użytkowania urządzenia i rozumieją związane z tym zagrożenia.

- Urządzenie to może być używane przez dzieci w wieku lat 8 lub starsze, jeśli są one nadzorowane lub gdy je poinstruowano jak korzystać z tego urządzenia w bezpieczny sposób, i gdy zdają sobie sprawę z istniejących niebezpieczeństw. Czyszczenie i konserwacja nie powinny być wykonywane przez dzieci poniżej 8 roku życia i bez nadzoru. Nie pozwól dzieciom poniżej 8. roku życia zbliżyć się do urządzenia i przewodu.
- Dzieciom nie wolno bawić się tym urządzeniem.
- Urządzenie to jest przeznaczone do użytku w gospodarstwie domowym i podobnych miejscach, takich jak:
  - kuchni personelu sklepu, biura i inne środowiska pracy;
  - gospodarstwa rolne;
  - przez klientów w hotelach, motelach i innych środowiskach mieszkalnych;
  - pensjonaty;
- Chronić ekspres do kawy przed czynnikami atmosferycznymi, takimi jak deszcz, mróz i bezpośrednie działanie promieni słonecznych. Nie należy używać ekspresu do kawy na zewnątrz pomieszczeń.
- Urządzenie nie może zostać zanurzone.
- Nie czyść ekspresu do kawy ani akcesoriów w zmywarce do naczyń.
- Nie wlewaj innych płynów poza wodą ani nie wkładaj jedzenia do zbiornika wody.
- Nie napełniaj zbiornika wody powyżej oznaczenia maksimum (dolna krawędź otworu wlewowego) (1,1 litra).
- Obsługuj urządzenie wyłącznie z zamontowanym pojemnikiem na fusy, tacą ociekową i kratką na filiżanki.
- Nie ciągnij za kabel w celu wyjęcia wtyczki z gniazdka sieciowego ani nie dotykaj mokrymi rękami.



- Nie trzymaj ekspresu do kawy za kabel sieciowy.
- Nie pozwól dzieciom poniżej 8. roku życia zbliżyć się do urządzenia i przewodu.
- Przed wyjęciem zbiornika na wodę w celu jego napełnienia lub opróżnienia zawsze wyłącz urządzenie.
- Zawsze umieszczaj urządzenie na płaskiej, stabilnej, odpornej na działanie wysokich temperatur powierzchni roboczej.
- Przed zaparzeniem należy obrócić portafiltr możliwie jak najmocniej w prawo, aby nie poluzował się pod wpływem wysokiego ciśnienia.
- W wyniku niewłaściwego użycia może dojść do poważnych obrażeń. W celu ochrony przed pożarem, porażeniem prądem lub obrażeniami ciała nie zanurzaj przewodu, wtyczek elektrycznych, podstawy grzejnej w wodzie lub innych płynach. Nie używaj urządzenia z uszkodzonym przewodem lub wtyczką, po awarii urządzenia, po jego upuszczeniu lub uszkodzeniu w jakikolwiek sposób. Skontaktuj się z producentem lub obsługą klienta.
- Powierzchnia elementu grzejnego po użyciu podlega działaniu ciepła resztkowego, nie dotykaj gorącej powierzchni, nie używaj uchwytu ani przycisku. Zawsze trzymaj ręce z dala od pojemnika i maszyny podczas użytkowania i po zakończeniu pracy, aby zmniejszyć ryzyko obrażeń u osób.
- Podczas używania ekspresu do kawy nie należy umieszczać w szafce.


## 1.4 Przeznaczenie

Ręczny ekspres do kawy Beko jest przeznaczony do użytku w domach i podobnych zastosowaniach, na przykład w kuchniach pracowniczych, sklepach, biurach i podobnych miejscach lub przez klientów w pensjonatach, hotelach, motelach i innych obiektach mieszkalnych. Ekspres do kawy nie jest przeznaczony do użytku komercyjnego. Urządzenie jest przeznaczone wyłącznie do przygotowywania kawy i podgrzewania mleka i wody. Każde inne użycie, inne niż podane powyżej, jest uważane za niewłaściwe.

# Ważne wskazówki dotyczące bezpieczeństwa i środowiska

## Niebezpieczeństwo wynikające z nieprawidłowego użytkowania!

Ekspres do kawy, jeśli nie jest używany zgodnie z przeznaczeniem lub w inny sposób, może stanowić lub stać się źródłem zagrożenia.



- Dlatego też ekspres do kawy może być używany tylko zgodnie z jego przeznaczeniem.
- Przestrzegaj procedur opisanych w niniejszej instrukcji obsługi.

Żadne roszczenia z tytułu szkód lub obrażeń wynikających z użytkowania ekspresu do kawy niezgodnie z jego przeznaczeniem nie będą przyjmowane.

Ryzyko ponosi wyłącznie właściciel urządzenia.

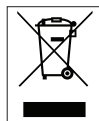
## 1.5 Ograniczenie odpowiedzialności

Wszystkie informacje techniczne, dane i instrukcje dotyczące instalacji, obsługi i konserwacji ekspresu do kawy zawarte w niniejszej instrukcji obsługi przedstawiają stan aktualny w momencie druku i opierają się na najlepszej możliwej wiedzy zdobytej dzięki doświadczeniu i wiedzy specjalistycznej. Z informacji, ilustracji i opisów zawartych w niniejszej instrukcji obsługi nie można wywodzić żadnych roszczeń.

Producent nie ponosi odpowiedzialności za szkody lub obrażenia wynikające z nieprzestrzegania instrukcji obsługi, użytkowania niezgodnego z przeznaczeniem, nieprofesjonalnych napraw, nieautoryzowanych modyfikacji lub użycia niezatwierdzonych części zamiennych.

## 1.6 Ograniczenie odpowiedzialności

Wyrób ten jest zgodny z dyrektywą WEEE Unii Europejskiej (2012/19/UE). Wyrób ten jest oznaczony symbolem klasyfikacyjnym dla zużytego sprzętu elektrycznego i elektronicznego (WEEE).



Ten symbol oznacza, że sprzęt nie może być umieszczany łącznie z innymi odpadami gospodarstwa domowego po okresie jego użytkowania. Zużyte urządzenie należy oddać do specjalnego punktu zbiórki zużytego sprzętu elektrycznego i elektronicznego w celu utylizacji. Aby uzyskać informacje o punktach zbiórki w swojej okolicy należy skontaktować się z lokalnymi władzami lub punktem sprzedaży tego produktu. Gospodarstwo domowe spełnia ważną rolę w przyczynianiu się do ponownego użycia i odzysku zużytego sprzętu. Odpowiednie postępowanie ze zużytym sprzętem zapobiega potencjalnym negatywnym konsekwencjom dla środowiska naturalnego i ludzkiego zdrowia.

## 1.7 Zgodność z dyrektywą RoHS

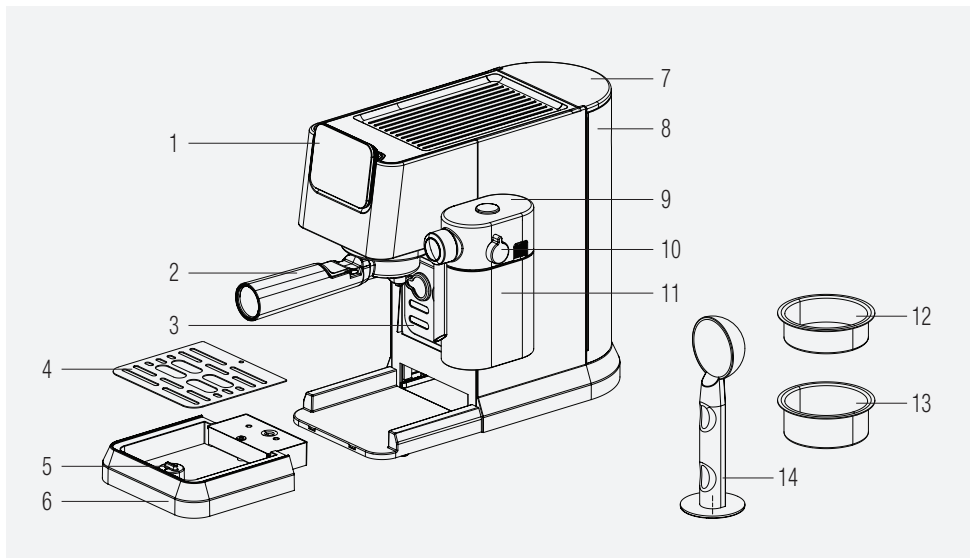
Zakupione urządzenie jest zgodne z dyrektywą UE RoHS (2011/65/UE). Nie zawiera szkodliwych i zakazanych materiałów, podanych w tej dyrektywie.

## 1.8 Informacje o opakowaniu



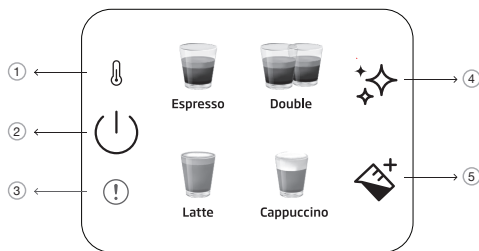
Materiały opakowaniowe urządzenia zostały wyprodukowane z materiałów nadających się do recyklingu zgodnie z naszymi krajowymi przepisami dotyczącymi ochrony środowiska. Nie wyrzucaj materiałów opakowaniowych razem z odpadami domowymi lub innymi odpadami. Zanieś je do punktów zbiórki materiałów opakowaniowych wyznaczonych przez władze lokalne.

## 2 Omówienie i panel sterowania



1. Panel sterowania
2. Portafiltr
3. Miejsce na filizankę
4. Siatka tacki ociekowej
5. Pływak
6. Tacka ociekowa
7. Pokrywa zbiornika na wodę
8. Zbiornik wody
9. Pokrywa zbiornika na mleko
10. Pokrętko regulacji pianki mlecznej
11. Zbiornik na mleko
12. Sitko na pojedyncze espresso
13. Sitko na podwójne espresso
14. Miarka do kawy/Ubijak

### 2.1 Panel sterowania



1		Wskaźnik nagrzania wstępnego
2		Przycisk włączania/wyłączenia i anulowania
3		Błąd ogólny
4		Przycisk czyszczenia i odkamieniania
5		Przycisk mleka

Wszystkie deklarowane wartości na produkcie i drukowanych ulotkach są pobierane po pomiarach laboratoryjnych wykonanych zgodnie z odpowiednimi normami. Wartości te mogą się różnić w zależności od warunków użytkowania i otoczenia.

## 3 Dane techniczne

**Zasilanie:** 220-240 V~, 50-60 Hz

**Moc:** 1376 - 1628 W

Zastrzega się prawo do wprowadzania zmian technicznych i projektowych.

Wszystkie deklarowane wartości na urządzeniu i na drukowanych ulotkach uzyskano z pomiarów laboratoryjnych przeprowadzonych zgodnie z odpowiednimi normami. Wartości te mogą się różnić w zależności od warunków użytkowania i otoczenia.

### **Wymiary urządzenia:**

20,5 cm (szerokość) x 30,8 cm (wysokość) x 42,3 cm (głębokość)

[Szerokość bez kubka na mleko: 14,4 cm

Głębokość bez portafiltra: 32,5 cm]

**Waga:** 3,85±0,5 kg

**Długość kabla:** >90 cm

### **Pojemność sitka**

**Pojedyncze:** 10 g

**Podwójne:** 17 g

**Pojemność tacy ociekowej:** Do 0,2 l

**Pojemność zbiornika na wodę:** 1,1±5% l

**Czas wstępnego nagrzewania maszyny:** <55 sek.

### **Objętość kawy (Ustawienia domyślne):**


Espresso: 30-55 ml

Podwójne: 65-95 ml

Latte: 170-280 ml mleka, 30-55 ml kawy

Cappuccino: 114-190 ml mleka, 30-55 ml kawy



Przycisk „” zaświeci się na pomarańczowo, gdy urządzenie będzie wymagało usunięcia kamienia.

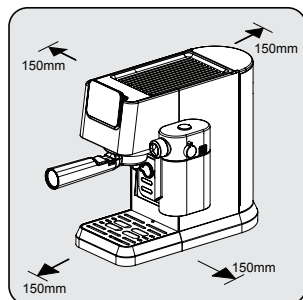


Jeśli NTC nie jest podłączony do tablicy zasilającej, to w tym czasie będzie się świecić czerwona lampka wskaźnika błędów, a po naciśnięciu jakiegokolwiek przycisku nie będzie żadnej reakcji.

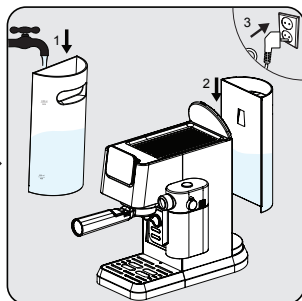
## 4 Przygotowanie

### 4.1 Pierwsze użycie

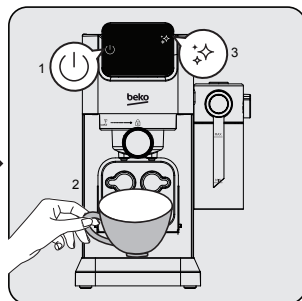
**i** Usuń z urządzenia folie ochronne, naklejki i wszelkie inne materiały opakowaniowe.



Wybierz bezpieczną i stabilną powierzchnię z łatwo dostępnym zasilaniem i pozostaw minimalną odległość od boków maszyn.

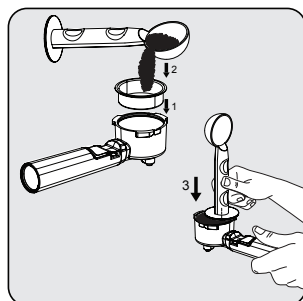


Napełnij zbiornik wody świeżą, zimną, czystą wodą co najmniej do oznaczenia MIN i co najwyżej do oznaczenia MAX. (Nie należy dodawać gorącej wody) Następnie należy włożyć zbiornik do urządzenia, a drugi koniec przewodu zasilającego do gniazdka elektrycznego o odpowiednim napięciu zasilania.

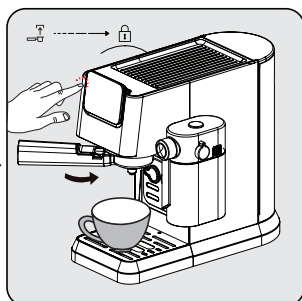


Przycisk włączania/wyłączania zasilania (⏻) na panelu sterowania zaświeci się. Naciśnij ten przycisk, aby włączyć urządzenie. Umieść filiżankę tuż pod głowicą zaparzającą i naciśnij przycisk czyszczenia (🧼). Urządzenie wyemituje jeden sygnał dźwiękowy i rozpocznie czyszczenie. Po zakończeniu pracy maszyna będzie gotowa do użycia.

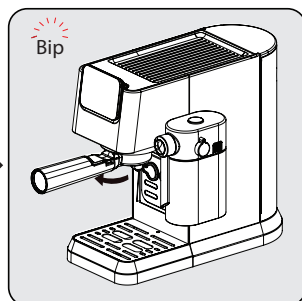
### 4.2 Zaparzanie pojedynczego/podwójnego espresso



Umieść sitko na pojedyncze lub podwójne espresso w uchwycie filtra. Napełnij sitko świeżą zmieloną kawą za pomocą miarki (ok. 8-15 g) i użyj łyżki, aby spłaszczyć nadmiar kawy. Końcówką do ubijania naciśnij z siłą ok. 15 kg, aby równomiernie i mocno docisnąć kawę.



Zamontuj portafiltr pod wylotem kawy. Wyrównaj go z symbolem odblokowania, wsuń w rowek i powoli obróć w prawo do symbolu blokady.  
- Umieść filiżankę tuż pod wylotem kawy.  
- Naciśnij pojedynczy lub podwójny przycisk, a rozlegnie się sygnał dźwiękowy.  
- Wybrana kawa zacznie migać i rozpocznie się przygotowywanie napoju.



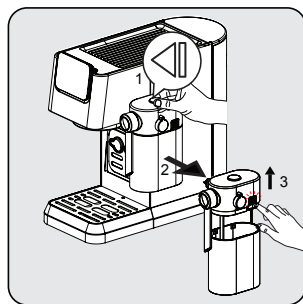
Po zakończeniu parzenia, urządzenie wyemituje jeden sygnał dźwiękowy i przejdzie w tryb bezczynności. Wyjmij portafiltr przekręcając go w prawo. Po każdym użyciu wyczyść portafiltr i wysusz go.

## 4 Przygotowanie

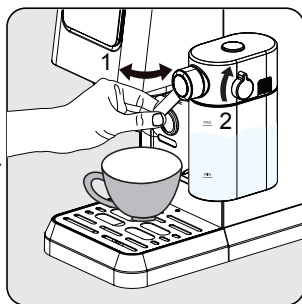
- Po zaparzeniu odczekaj 5 sekund, a następnie wyjmij filtr. Pomoże to w łatwym usunięciu ruchomego filtra.
- Zmielona kawa nie może być używana po zaparzeniu.
- Użyj przedłużenia uchwyty, aby wybić resztki kawy, jednocześnie utrzymując sitko w miejscu.
- Aby zapewnić optymalną temperaturę espresso, zalecamy wstępne podgrzanie filiżanek.
- Aby wydobyć najpełniejszy smak z ziaren kawy, zalecamy używanie całych ziaren kawy, które zostały świeżo zmielone przy każdym przygotowywaniu espresso.
- Oprócz użytej kawy, użycie świeżej, zimnej wody, która jest wolna od chloru, zapachów i innych zanieczyszczeń pomoże zapewnić idealne espresso.
- Zmieloną kawę należy przechowywać w szczelnym pojemniku i w chłodnym, suchym miejscu, aby zachować jej smak. Zmielona kawa nie powinna być przechowywana przez długi czas, ponieważ jej smak się pogorszy.

### 4.3 Parzenie Cappuccino i Latte

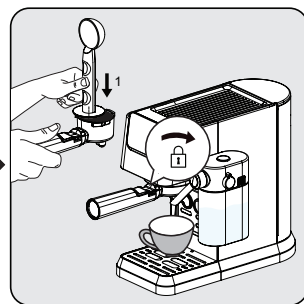
Cappuccino lub Latte to kombinacje jednej porcji espresso z różną ilością gorącego mleka i mlecznej pianki.



Trzymając pojemnik na mleko jedną ręką, naciśnij przycisk na górze pokrywy zbiornika na mleko, aby wyjąć go w prawo. Zdejmij pokrywę z pojemnika na mleko, naciskając przycisk zwalniający znajdujący się po prawej stronie korpusu pokrywy.



Dodaj mleko do pojemnika. Mleko powinno być zawsze poniżej znaku max. Zalecana temperatura dla mleka to 4-8°C (~ 40-46°F). Nałóż pokrywę pojemnika na mleko i zamocuj pojemnik na mleko w urządzeniu, musi on słyszalnie kliknąć. Upewnij się, że pojemnik na mleko jest prawidłowo zamocowany. Ustaw kąt wylotu pianki mlecznej nad filiżanką. Reguluj gęstość mlecznej pianki za pomocą pokrętki w oparciu o swoje preferencje.

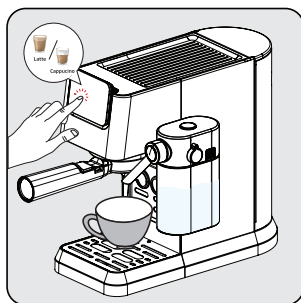


Włóż pojedyncze sitko do portafiltru. Napełnij drobno zmieloną kawą do espresso (ok. 8-15g). Dociśnij kawę płaską stroną łyżeczki do kawy. Zamontuj portafiltr pod wylotem kawy. Wyrównaj go z symbolem odblokowania, wsuń w rowek i powoli obróć w prawo do symbolu blokady.

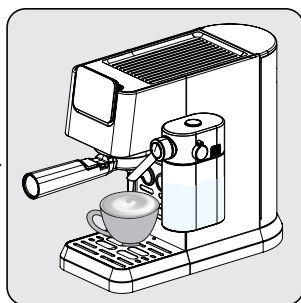


Urządzenie to pozwala użytkownikowi na ustawienie proporcji piany poprzez obracanie pokrętki od Max do Min, aby cieszyć się żądaną ilością pianą. Sugerowane ustawienie dla Latte to nisko-średnie, Cappuccino to średnio-wysokie. Wyreguluj gęstość mlecznej pianki w oparciu o swoje preferencje.

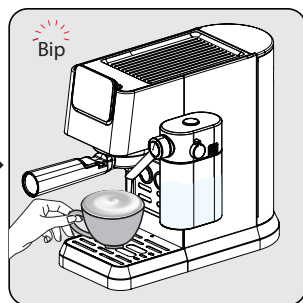
## 4 Przygotowanie



Naciśnij przycisk „cappuccino lub latte”, rozlegnie się jeden sygnał dźwiękowy. Przycisk wybranych napojów zacznie migać i rozpocznie się parzenie.



Pompa będzie pracować z przerwami, gdy mleczna pianka po raz pierwszy trafi do Twojej filiżanki. Po przygotowaniu mlecznej pianki, urządzenie automatycznie rozpoczyna parzenie kawy.



Gdy urządzenie wyda jeden sygnał dźwiękowy, napoje będą gotowe! - Urządzenie powróci do trybu bezczynności.

### 4.4 Zaparzanie/Dodawanie mlecznej pianki

Napełnij zbiornik na mleko i ustaw pokrętkę w odpowiedniej pozycji. Naciśnij przycisk spieniania mleka "☞". Urządzenie rozpocznie automatycznie wydawanie mleka (90-140 ml). Po zakończeniu pracy maszyna powróci do stanu spoczynku.

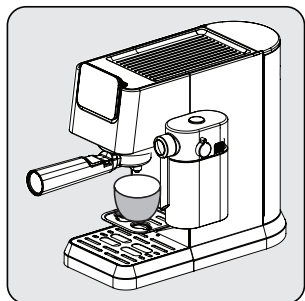


Zawsze upewnij się, że pojemnik na mleko jest umieszczony prawidłowo. Jeśli nie jest dobrze zamocowany przyciski cappuccino, latte i pianki mlecznej nie będą się świecić, a funkcje nie będą dostępne. Rozlegną się 3 sygnały dźwiękowe, aby to zasignalizować.

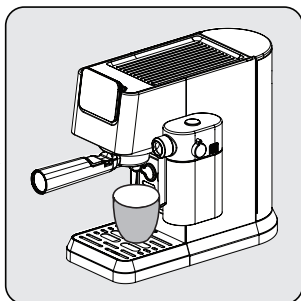


Wyjęcie pojemnika na mleko nie ma wpływu na parzenie kawy, można stosować programy pojedyncze/podwójne espresso.

### 4.5 Regulacja wysokości dla różnych rozmiarów filiżanek



W przypadku mniejszych filiżanek można zastosować tackę (3).



W przypadku filiżanek średniej wielkości należy umieścić filiżankę nad tacą ociekową (6) w pozycji normalnie wsuniętej.



Jeśli w przypadku większych filiżanek wyjmuje się tacę ociekową, należy ją umieścić z powrotem w urządzeniu zaraz po zakończeniu przygotowywania napoju. Jeśli po przygotowaniu napoju taca ociekowa nie zostanie odłożona na miejsce, to ze względu na wewnętrzne zwolnienie systemu woda może dostać się do podstawy i konieczne będzie ręczne czyszczenie suchą szmatką.

## 5 Działanie i użytkowanie

### 5.1 Regulacja objętości kawy/mleka

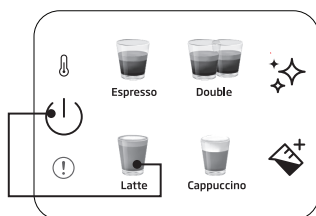
#### Ustawianie ilości dla pojedynczego i podwójnego espresso

1. Wybierz funkcję, która ma być przeprogramowana. Naciśnij odpowiedni przycisk (pojedyncze lub podwójne espresso) i przytrzymaj go. Usłyszysz jeden sygnał dźwiękowy. [ilości programowalne pojedynczego/dwukrotnego espresso (min.: 30/60 ml, maks.: 50/100 ml)]
2. Puść przycisk dopiero po zaparzeniu żądanej ilości kawy. Usłyszysz dwa sygnały dźwiękowe. Ilość ta jest teraz zapisywana pod odpowiednią funkcją.

#### Ustawianie ilości dla Latte, Cappuccino i pianki mlecznej

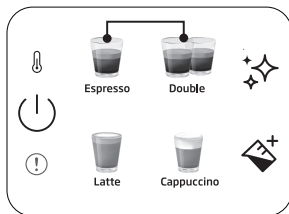
1. Wybierz funkcję, która ma być przeprogramowana. Naciśnij odpowiedni przycisk (cappuccino, latte lub mleko) i przytrzymaj go. Usłyszysz jeden sygnał dźwiękowy. (Najkrótszy czas parzenia mleka to 10 sek., najdłuższy 45 sek.)
2. Puść przycisk dopiero wtedy, gdy minie żądany czas parzenia mleka. Usłyszysz dwa sygnały dźwiękowe. Ten czas jest teraz zapisywany pod odpowiednią funkcją.
3. Aby zmienić ilość czarnej kawy; po zakończeniu wydawania mleka, naciśnij i przytrzymaj ikonę wybranego napoju, aż do momentu, gdy przepływie żądana ilość.

**i** Dostosowane ustawienia napojów zostaną zapisane w pamięci urządzenia do wykorzystania w przyszłości, aż do momentu ich zresetowania lub ponownej zmiany.



#### Przywrócenie ustawień fabrycznych dla pojedynczego napoju:

Naciśnij i przytrzymaj dowolny przycisk napoju i przycisk zasilania przez ponad 3 sekundy, aby wyzerować wybraną ilość napoju.



#### Aby przywrócić wszystkie napoje do ustawień domyślnych/fabrycznych:


Naciśnij i przytrzymaj jednocześnie przyciski pojedynczego i podwójnego espresso przez ponad 3 sekundy, aby wyzerować ilość wszystkich napojów.

**i** Tryb czuwania: Maszyna wyłączy się automatycznie po 29 minutach bez pracy (lub po pracy).



## 6 Czyszczenie


### 6.1 Czyszczenie zbiornika na mleko

Wlej wodę do zbiornika na mleko do poziomu MAX i naciśnij przycisk spieniania mleka „”. Po zakończeniu pracy wyjmij elementy zbiornika na mleko (9) (11) i oczyść je pod czystą wodą.



Wyczyść zbiornik na mleko po każdym użyciu, aby uniknąć zepsucia się pozostałości mleka.




### 6.2 Funkcja czyszczenia/płukania


W celu wyczyszczenia głowicy zaparzającej należy umieścić pod nią pojemnik i nacisnąć przycisk czyszczenia „”. Czyszczenie zostanie zakończone w ciągu 16 sekund i urządzenie będzie gotowe do użycia.

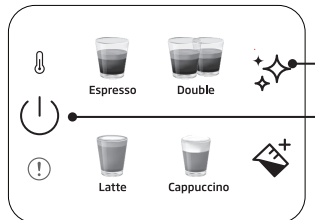


- Jeśli nie używasz urządzenia przez więcej niż 5 kolejnych dni, przepłucz i opróżnij zbiornik wody.
- Tacka ociekowa i jej kratka (6) (4) mogą być czyszczone ręcznie pod czystą wodą.
- Nie należy wkładać portafiltera do zmywarki.

### 6.3 Funkcja odkamieniania

Gdy wymagane jest odkamienianie, ikona odkamieniania „” zaświeci się na pomarańczowo. Pod głowicą zaparzającą umieść pojemnik o pojemności co najmniej 1,5 l. Wlej wodę do zbiornika do poziomu MAX i wymieszaj ze środkiem do usuwania kamienia lub kwasem cytrynowym. Naciśnij i przytrzymaj przycisk odkamieniania „” przez ponad 3 sekundy, a usłyszysz dwa sygnały dźwiękowe, co oznacza, że rozpoczął się pierwszy cykl odkamieniania. Pierwszy cykl będzie trwał około 15 minut. Po zakończeniu, ikona odkamieniania zmieni kolor na biały „”.

Opróżnij pojemnik pod głowicą zaparzającą i umieść go ponownie. Oczyść i napełnij zbiornik wody do poziomu MAX czystą wodą. Naciśnij i przytrzymaj przycisk odkamieniania „” przez ponad 3 sekundy, a usłyszysz dwa sygnały dźwiękowe, co oznacza, że rozpoczął się drugi cykl odkamieniania. Drugi cykl będzie trwał około 6 minut. Gdy wszystko zostanie zakończone, maszyna powróci do stanu spoczynku i będzie gotowa do użycia.



#### Aby zresetować status ostrzeżenia o odkamienianiu:

Naciśnij i przytrzymaj przycisk zasilania i odkamieniania razem przez ponad 3 sekundy.



- Po określonej liczbie cykli parzenia konieczne jest odkamienianie.
- Resetowanie stanu ostrzeżenia o odkamienianiu nie jest sugerowane dla utrzymania jak najlepszego stanu urządzenia.

## 7 Rozwiązywanie problemów

### 7.1 Problemy, możliwe przyczyny i środki zaradcze

Problem	Przyczyna	Rozwiązania
<b>Kawa spływa po bokach portafiltera.</b>	Portafiltr (2) nie jest prawidłowo włożony.	Przekręć uchwyt portafiltera (2) dalej w prawo.
	Na krawędzi sitka znalazła się zmielona kawa	Wyłączyć ekspres, wyjmij portafiltr (2) i wyczyść krawędzie sitka.
	Sitko wewnątrz głowicy zaparzącej jest zabrudzone.	Wyczyść głowicę zaparżającą za pomocą wilgotnej ściereczki i uruchom funkcję czyszczenia bez umieszczania portafiltera.
<b>Przez portafiltr przepływa bardzo mało kawy lub nie przepływa wcale.</b>	Brak wody w zbiorniku.	Napełnij zbiornik wodą.
	Siteczko wewnątrz głowicy zaparzącej jest zatkane.	Zaparżaj wodę przez siteczko bez włożonego portafiltera (2). Jeśli woda nie przepływa, odkręć siteczko, wyczyść i wymień.
	Sitko jest zablokowane.	Korekta: Oczyszcz sitko, włóż do portafiltera (2) i przepompuj przez nie wodę bez kawy. Jeśli woda nie przechodzi przez sitko zadzwoń do Działu Obsługi Klienta, aby zamówić zapasowe sito.
<b>Espresso zaparza się tylko w postaci kropli.</b>	Zmielona kawa jest zbyt drobna lub zbyt mocno upakowana.	Nie należy tak mocno ubijać kawy. Użyj grubiej zmielonej kawy.
	Maszyna zablokowana przez osady wapnia.	Odkamień urządzenie. Patrz: str. 15.
<b>Espresso zaparza się zbyt szybko.</b>	Kawa jest zbyt grubo zmielona.	Zmiel drobniej kawę.
	Za mało kawy w sitku.	Użyj więcej zmielonej kawy.
<b>Nie ma cremy.</b>	Kawa stara lub zbyt sucha.	Użyj świeżej kawy.
	Kawa nie została wystarczająco mocno. Woda przedostaje się przez kawę zbyt szybko.	Mocniej ubij kawę. Zmiel drobniej kawę.
	Kawa zbyt grubo mielona.	Użyj młynka stożkowego, aby uzyskać drobniejsze i bardziej spójne mielenie.
	Mieszanka kawowa nie nadająca się do kawy espresso.	Zmień markę espresso.
<b>Za mało pianki podczas spieniania mleka.</b>	Mleko nieswieże.	Używaj świeżego mleka.
	Nieodpowiednie mleko.	Sprawdź, czy mleko nadaje się do spieniania.
	Mleko od początku było zbyt ciepłe.	Używaj mleka prosto z lodówki (34°F/°C).
	Za mało mleka do spienienia.	Użyj więcej zimnego mleka.
	Otwór wlotowy mleka jest zatkany.	Oczyścić otwór wlotowy mleka.

Drodzy Klienci,

Dziękujemy za zakup naszych produktów. Jesteśmy przekonani, że nasze urządzenia będą służyć przez lata. Każdy produkt firmy Beko jest objęty 2-letnim okresem gwarancji.

### **Warunki gwarancji Beko S.A. (małe urządzenia AGD)**

BEKO spółka akcyjna z siedzibą w Warszawie (02-819), przy ulicy Puławskiej 366, wpisana do rejestru przedsiębiorców prowadzonego przez Sąd Rejonowy dla m.st. Warszawy w Warszawie, XIII Wydział Gospodarczy Krajowego Rejestru Sądowego, pod numerem: 0000078147 (dalej: „BEKO”) udziela gwarancji jakości (dalej: „Gwarancja”) na wprowadzone przez BEKO do obrotu na terenie Polski produkty marki BEKO (dalej: „Urządzenia”) osobom, które nabyły te produkty („Użytkownik”) na następujących warunkach:

#### **I. ZAKRES OCHRONY.**

BEKO gwarantuje, że Urządzenie zakupione przez Użytkownika jest wolne od wad produkcyjnych lub materiałowych, powstałych z przyczyn tkwiących w tym Urządzeniu (dalej: „Wada”), które ujawnią się w ciągu terminu określonego w części II. niniejszych Warunków Gwarancji (dalej: „Okres Gwarancyjny”).

W razie ujawnienia się Wady Produktu w trakcie Okresu Gwarancyjnego, zostanie ona usunięta na koszt BEKO w sposób uzależniony od właściwości wady, na zasadach i w zakresie określonym w niniejszych Warunkach Gwarancji.

BEKO zobowiązuje się do usunięcia Wady poprzez dokonanie nieodpłatnej naprawy lub wymiany Urządzenia, bądź też reklamacja zgłoszona na podstawie niniejszych Warunków Gwarancji zostanie rozpatrzona w inny sposób uzgodniony przez BEKO i Użytkownika.

Udzielona gwarancja jest ważna na terytorium Rzeczypospolitej Polskiej.

#### **II. CZAS TRWANIA GWARANCJI.**

Okres Gwarancyjny wynosi 24 miesiące licząc od daty zakupu Urządzenia przez pierwszego Użytkownika.

#### **III. PROCEDURA ZGŁOSZENIA REKLAMACYJNEGO.**

Wady Urządzenia ujawnione w Okresie Gwarancyjnym będą usuwane pod warunkiem przedstawienia przez Użytkownika dowodu zakupu tego Urządzenia zawierającego oznaczenia niezbędne do jego identyfikacji (model, datę zakupu).

Uprawnienia wynikające z niniejszych Warunków Gwarancji mogą być zrealizowane przez Użytkownika wyłącznie w Autoryzowanych Punktach Serwisowych BEKO (dalej: „Serwis”) po uprzednim dokonaniu zgłoszenia na Infolinii BEKO pod numerem telefonu: 22 250 14 14. Urządzenie powinno być odpowiednio zapakowane i zabezpieczone przez Użytkownika na czas transportu do punktu serwisowego Beko.

Wady Urządzenia będą usunięte w terminie 14 dni od daty zgłoszenia Wady na Infolinii BEKO. Jeżeli część zamienna wymieniana w ramach uprawnień wynikających z niniejszych Warunków Gwarancji Urządzenia jest sprowadzana z zagranicy, termin naprawy, o którym mowa w punkcie 5 powyżej, może ulec wydłużeniu jednak, nie więcej niż do 30 dni licząc

odpowiednio od daty zgłoszenia Wady na Infolinii BEKO. Informacje o spodziewanych terminach napraw dostępne są na Infolinii BEKO pod numerem 22 250 14 14. Po usunięciu Wady, Urządzenie zostanie dostarczone Użytkownikowi na koszt BEKO.

#### **IV. WYŁĄCZENIA.**

Warunkiem skorzystania z niniejszych Warunków Gwarancji jest:

- użytkowanie Urządzenia zgodnie z Instrukcją Obsługi dołączoną do tego Urządzenia i jego przeznaczeniem, jak również odpowiednie czyszczenie i konserwacje Urządzenia;
- użytkowanie w warunkach indywidualnego gospodarstwa domowego. Urządzenie nie jest używane do celów prowadzenia działalności gospodarczej lub w zastosowaniach eksploatacji masowej, w szczególności w gastronomicznej działalności hoteli, restauracji i innych obiektów turystyczno-rekreacyjnych lub zbiorowego żywienia. Stosowanie osprzętu zalecanego przez producenta; brak ingerencji w Urządzenie przez osoby do tego nieupoważnione; brak ingerencji w tabliczkę znamionową z numerem seryjnym Urządzenia.

Udzielona przez Beko Gwarancja nie obejmuje:

- wad powstałych z przyczyn innych niż tkwiące w Urządzeniu;
- normalnego zużycia elementów eksploatacyjnych tj. akumulatory, baterie, noże, filtry, żarówki, szczotki, itp.;
- czynności przewidzianych w Instrukcji Obsługi, do wykonania których zobowiązany jest Użytkownik Urządzenia we własnym zakresie i na swój koszt, w tym: instruktażu dotyczącego obsługi Urządzenia, instalacji oraz regulacji urządzenia.
- usterek powstałych w wyniku nieprawidłowego lub niewłaściwego użytkowania, niedbalstwa, przypadkowego uszkodzenia Urządzenia, nieodpowiedniego napięcia prądu lub dokonania jakichkolwiek zmian, które mają wpływ na niewłaściwe działanie Urządzenia, i które naprawiane były przez osoby nieupoważnione, używania instalacji niezgodnych z odpowiednimi Polskimi Normami i innych niż wymienione w Instrukcji Obsługi Urządzenia; uszkodzeń mechanicznych, termicznych, chemicznych, korozji, innych uszkodzeń spowodowanych działaniem lub zaniedbaniem Użytkownika lub powstałych na skutek działania sił zewnętrznych (do których zalicza się w szczególności wyładowania atmosferyczne, skoki napięcia, wszelkiego rodzaju awarie domowej instalacji wodno-kanalizacyjnej, itp.), a także powstałych na skutek przedostania się zanieczyszczeń lub ciał obcych do Urządzenia, zakamienienia (proces odkamieniania musi być przeprowadzany zgodnie z instrukcją obsługi z użyciem odpowiednich środków czyszczących) elementów ze szkła, plastiku oraz porcelany; odbarwień Urządzenia lub poszczególnych jego części;
- usterek powstałych na skutek przechowywania i użytkowania Urządzenia w warunkach, które są niezgodne z normalnymi warunkami domowymi określonymi wymaganiami powszechnie obowiązujących przepisów prawa i odpowiednich Polskich Norm;

#### **V. POZOSTAŁE POSTANOWIENIA.**

Niniejsze warunki gwarancji mają zastosowanie do Urządzeń zakupionych od dnia 01.03.2019 r. Gwarant oświadcza, że niniejsza Gwarancja jest udzielana Użytkownikowi dodatkowo i nie wyłącza, nie ogranicza ani nie zawiesza uprawnień Użytkownika wynikających z przepisów o rękojmi za wady rzeczy sprzedanej na podstawie Kodeksu cywilnego.

## Vă rugăm să citiți acest manual de utilizare înainte de folosirea aparatului!

Stimate client,

Vă mulțumim că ați ales acest produs Beko. Sperăm că veți obține cele mai bune rezultate de la acest produs, care a fost fabricat la o calitate înaltă cu tehnologie de ultimă generație. Vă rugăm să citiți cu atenție și în întregime acest manual de utilizare și toate celelalte documente însoțitoare înainte de a utiliza produsul și păstrați-le pentru consultări ulterioare. Dacă predați produsul unei alte persoane, vă rugăm să îi dați și manualul de utilizare. Vă rugăm să țineți cont de toate avertismentele și informațiile din manualul de utilizare.

### Explicații privind simbolurile

Următoarele simboluri sunt folosite în diferite secțiuni ale acestui manual:



Informații importante sau sugestii utile despre utilizare.



**PERICOL:** Acest avertisment se referă la situații periculoase pentru viață și bunuri.



**AVERTIZARE:** Acest avertisment indică situații potențial periculoase.



**ATENȚIE:** Această avertizare indică potențialul de deteriorare a materialului.



Materialele sunt adecvate pentru contactul cu alimentele



**HĂRTIE RECICLATĂ ȘI  
RECICLABILĂ**

Această secțiune include instrucțiunile de siguranță care vă vor ajuta să vă protejați împotriva vătămarilor corporale și a riscurilor de pierdere materiale. Nerespectarea acestor instrucțiuni invalidează garanția furnizată

## 1.1 Pericol de curent electric

Pericol pentru viață generat de curentul electric!

Contactul cu cablurile sub tensiune sau componentele poate duce la vătămări corporale grave sau chiar la deces!

Respectați următoarele măsuri de siguranță pentru a evita șocurile electrice:

- Nu utilizați mașina de cafea dacă cablul de conectare sau ștecherul de alimentare sunt deteriorate.
- Înainte de a reutiliza mașina de cafea, cablul de alimentare trebuie înlocuit de către un electrician calificat.
- Nu deschideți carcasa mașinii de cafea. Pericol de electrocutare dacă sunt atinse conexiunile sub tensiune și/sau configurația electrică și mecanică este schimbată.

## 1.2 Pericol de arsură sau opărire

Anumite părți ale mașinii de cafea se pot încinge în timpul funcționării! Băuturile dozate și aburul eliminat sunt foarte fierbinți!

Respectați următoarele măsuri de siguranță pentru a evita arsura/opărirea dvs. și/sau a altor persoane:

- Nu atingeți niciunul dintre manșoanele metalice de pe ambele guri de scurgere a cafelei.
- Evitați contactul direct al pielii cu aburul scurs sau cu apa fierbinte de clătire, curățare și detartrare.

## 1.3 Măsuri de siguranță esențiale

Respectați următoarele măsuri de siguranță pentru a asigura manevrarea în siguranță a mașinii de cafea:

- Nu vă jucați niciodată cu materialele de ambalare. Risc de sufocare.
- Verificați dacă mașina de cafea prezintă semne vizibile de deteriorare înainte de utilizare. Nu utilizați o mașină de cafea defectă.

- În cazul în care cablul de alimentare electrică este deteriorat, acesta trebuie înlocuit de producător, reprezentantul său de service sau persoane cu calificări similare pentru evita orice pericol.
- Reparațiile mașinii de cafea trebuie efectuate numai de către un specialist autorizat sau de către lucrători ai serviciului pentru clienții. Reparațiile necalificate pot duce la un pericol serios pentru utilizator. De asemenea, acestea vor anula garanția.
- Reparațiile mașinii de cafea aflate în perioada de garanție pot fi efectuate numai de centrele de service autorizate de producător, în caz contrar garanția se va anula dacă vor exista defecte ulterioare.
- Piese defecte pot fi înlocuite numai cu piese de schimb originale. Numai piesele de schimb originale garantează îndeplinirea cerințelor de siguranță.
- Aparatele pot fi utilizate de persoanele cu capacități fizice, senzoriale sau mentale reduse sau fără experiență și cunoștințe numai dacă aceștia sunt supravegheați sau au fost instruiți cu privire la utilizarea aparatului într-un mod sigur și dacă înțeleg pericolele implicate.
- Acest aparat poate fi utilizat de către copii cu vârsta de cel puțin 8 ani dacă aceștia sunt supravegheați sau au fost instruiți cu privire la utilizarea aparatului într-un mod sigur și dacă înțeleg pericolele implicate. Curățarea și întreținerea nu vor fi efectuate de către copii, cu excepția situațiilor în care aceștia au vârste mai mari de 8 ani și sunt supravegheați de adulți. Nu lăsați aparatul și cablul acestuia la îndemâna copiilor cu vârste mai mici de 8 ani.
- Copiii nu trebuie să se joace cu aparatul.
- Acest aparat este destinat pentru a fi folosit în gospodărie sau aplicații similare, precum:

- chicinete pentru angajați în magazine, birouri sau alte spații de lucru,
- ferme;
- de către clienți în hoteluri, moteluri și alte medii rezidențiale, - unități de tip pensiune.
- Protejați mașina de cafea împotriva efectelor meteorologice, cum ar fi ploaia, înghețul și lumina directă a soarelui. Nu folosiți mașina de cafea în aer liber.
- Aparatul nu trebuie să fie scufundat.
- Nu curățați cafetiera sau accesoriile în mașina de spălat vase.
- Nu turnați alte lichide în afară de apă și nu introduceți alimente în rezervorul de apă.
- Nu umpleți rezervorul de apă peste marcajul maxim (marginea inferioară a orificiului de umplere; 1,1 litri).
- Operați mașina de cafea numai când sunt montate containerul de deșeuri, tava de scurgere și grătarul pentru cești.
- Nu trageți de cablu pentru a scoate ștecherul din priză și nu-l atingeți cu mâinile ude.
- Nu țineți mașina de cafea de cablul de alimentare.
- Nu lăsați aparatul și cablul acestuia la îndemâna copiilor cu vârste mai mici de 8 ani.
- Înainte de a scoate rezervorul de apă pentru a-l umple sau goli, opriți întotdeauna aparatul.
- Așezați întotdeauna aparatul pe o suprafață de lucru plană, stabilă și rezistentă la căldură.
- Înainte de preparare, portafiltrul trebuie să fie răsucit spre dreapta cât mai strâns posibil pentru a preveni slăbirea acestuia din cauza presiunii ridicate.
- Utilizarea necorespunzătoare poate duce la accidente grave. Pentru a vă proteja împotriva incendiilor, a șocurilor electrice sau a vătămărilor corporale, nu scufundați în apă sau alte lichide cablul, ștecherii electrici, baza de încălzire. Nu folosiți niciun aparat cu un cablu sau un ștecher deteriorat, după ce aparatul



funcționează defectuos, a căzut sau a fost deteriorat în vreun fel. Contactați producătorul sau serviciul acestuia de relații cu clienții.

- După utilizare, suprafața elementului de încălzire este supusă căldurii reziduale, nu atingeți suprafața fierbinte, folosiți mânerul sau butonul. Țineți întotdeauna mâinile departe de container și de aparat în timpul utilizării și după aceea pentru a reduce riscul de accidentare a persoanelor.
- Aparatul de cafea nu trebuie să fie plasat într-un dulap atunci când este utilizat.

## 1.4 Utilizarea destinată

Aparatul manual de cafea espresso Beko este destinat utilizării în locuințe și locuri similare, de exemplu în bucătăriile personalului, magazine, birouri și zone similare sau de către clienți în pensiuni, hoteluri, moteluri și alte spații de cazare. Această mașină de cafea nu este destinată utilizării comerciale. Mașina este destinată exclusiv pregătirii cafelei și încălzirii laptelui și a apei. Orice altă utilizare, alta decât cea menționată anterior, este considerată utilizare necorespunzătoare.

## Pericol care rezultă din utilizarea necorespunzătoare!

Dacă nu este utilizată în scopul pentru care a fost concepută sau este utilizată în alt mod, mașina de cafea poate fi sau poate deveni o sursă de pericol.



- Prin urmare, mașina de cafea poate fi utilizată numai în scopul pentru care a fost concepută.
- Respectați procedurile descrise în acest manual de utilizare.

Nu vor fi acceptate reclamații de niciun fel pentru daune sau vătămări rezultate în urma utilizării mașinii de cafea în alt scop decât cel prevăzut.

Riscul trebuie să fie suportat exclusiv de proprietarul mașinii de cafea.

## 1.5 Limitarea răspunderii

Toate informațiile tehnice, datele și instrucțiunile privind instalarea, operarea și întreținerea mașinii de cafea cuprinse în aceste instrucțiuni de operare reprezintă starea curentă la momentul tipăririi și se bazează pe cele mai bune cunoștințe posibile obținute prin experiență și know-how.

Nu se pot formula reclamații din informațiile, ilustrațiile și descrierile din acest manual de utilizare.

Producătorul nu își asumă nicio responsabilitate pentru daunele sau vătămările cauzate de nerespectarea manualului de utilizare, utilizarea în alte scopuri decât cele prevăzute, reparațiile neprofesionale, modificările neautorizate sau utilizarea pieselor de schimb neaprobate.

## 1.6 Conformitatea cu Directiva WEEE și eliminarea produsului uzat:

Acest produs este în conformitate cu Directiva UE privind DEEE (2012/19/UE). Acest produs este prevăzut cu un simbol de clasificare pentru deșeurile de echipamente electrice și electronice (WEEE).



Acest simbol arată că acest produs nu trebuie eliminat împreună cu deșeurile menajere la sfârșitul perioadei sale de utilizare. Aparatul uzat trebuie transportat la un punct de colectare pentru reciclarea echipamentelor electrice și electronice. Pentru a găsi aceste puncte de colectare, vă rugăm să contactați autoritatea locală sau comerciantul de la care ați cumpărat produsul. Fiecare gospodărie joacă un rol important în restaurarea și reciclarea aparatelor vechi. Eliminarea corespunzătoare a aparatelor utilizate ajută la prevenirea posibilelor consecințe negative pentru mediu și sănătatea umană.

## 1.7 Conformitatea cu Directiva RoHS

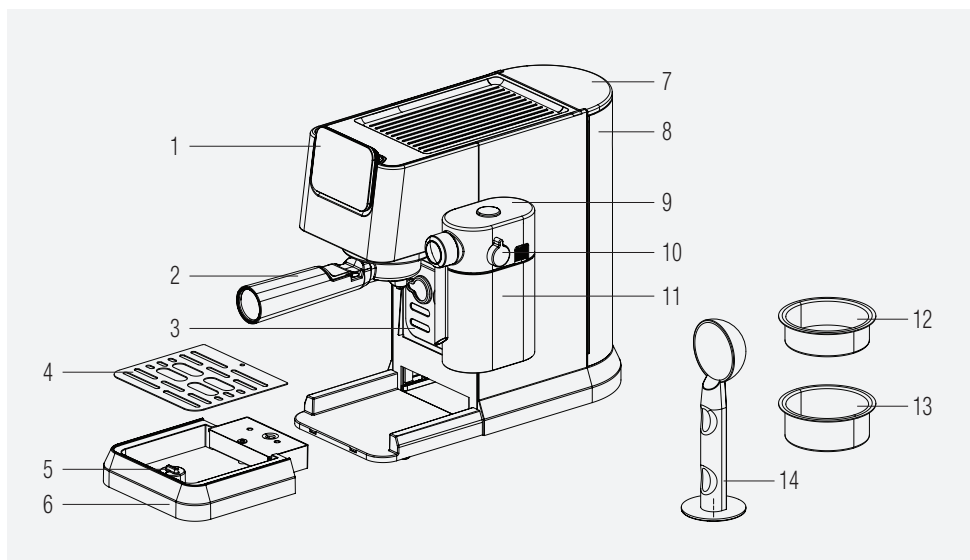
Produsul achiziționat de dumneavoastră este în conformitate cu Directiva UE RoHS (2011/65/UE). Acesta nu conține materiale periculoase și interzise, specificate în această Directivă.

## 1.8 Informații despre ambalaj



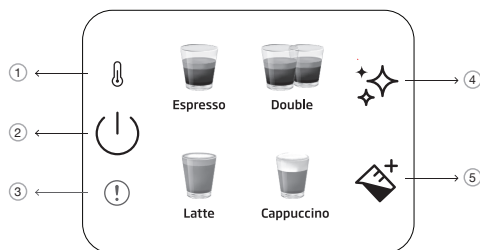
Materialele de ambalare ale produsului au fost fabricate din materiale reciclabile, în conformitate cu reglementările naționale de mediu. Materialele de ambalare nu trebuie eliminate împreună cu deșeurile menajere sau de alt tip. Transportați-le la punctele de colectare pentru ambalaje, amenajate de autoritățile locale

## 2 Prezentare generală și Panoul de comandă



1. Panoul de comandă
2. Portafiltrul
3. Suport pentru cești
4. Grilă tavă de picurare
5. Flotor
6. Tavă de picurare
7. Capac rezervor de apă
8. Rezervorul de apă
9. Capacul rezervor de lapte
10. Buton de reglare a spumei de lapte
11. Rezervor de lapte
12. Coș pentru un singur espresso
13. Coș pentru un espresso dublu
14. Lingură / Compactor cafea

### 2.1. Panoul de comandă



1		Indicator de preîncălzire
2		Buton de pornire/oprire și anulare
3		Eroare generală
4		Buton de curățare și decalcifiere
5		Buton lapte

Toate valorile declarate de pe produs și de pe pliantele tipărite sunt preluate după măsurătorile de laborator efectuate în conformitate cu standardele conexe. Aceste valori pot varia în funcție de condițiile de utilizare și de mediu.

## 3 Date tehnice

**Sursă de alimentare:** 220-240 V~, 50-60 Hz

**Putere:** 1376 - 1628 W

Ne rezervăm dreptul de a opera modificări tehnice și de design.

Toate valorile declarate pe produs și pe pliantele tipărite au fost obținute din măsurători de laborator efectuate în conformitate cu standardele relevante. Aceste valori pot varia în funcție de condițiile de utilizare și de mediu.

### **Dimensiunile produsului:**

20,5 cm (Lățime) x 30,8 cm (Înălțime) x 42,3 cm (Adâncime)

**Lățime fără ceașcă de lapte:** 14,4 cm

**Adâncime fără portafiltru:** 32,5 cm]

**Greutate:** 3,85±0,5kg

**Lungimea cablului:** >90 cm

Capacitățile coșului

**Simplu:** 10g

**Dublu:** 17g

**Capacitate tavă de picurare:** Până la 0,2 Litri

**Capacitatea rezervorului de apă:** 1.1±5%L

**Timp de preîncălzire al aparatului:** <55s

### **Volum cafea (Setări implicite):**

**Espresso:** 30-55ml

**Dublu:** 65-95ml

**Latte:** 170-280 ml lapte, 30-55 ml cafea

**Cappuccino:** 114-190 ml lapte, 30-55 ml cafea



Acest buton " ✨ " se va aprinde în portocaliu atunci când aparatul trebuie decalcificat.

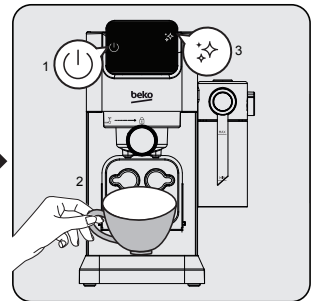
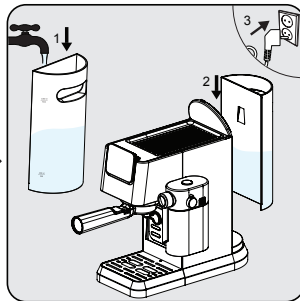
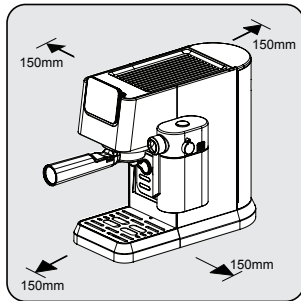


În cazul în care NTC nu este conectat la placa de alimentare, indicatorul de eroare de culoare roșie va fi aprins în acel moment și nu se va obține niciun răspuns dacă se apasă vreun buton.

## 4.1 Prima utilizare



Îndepărtați orice folie de protecție, autocolante și orice alt material de ambalare de pe aparat.



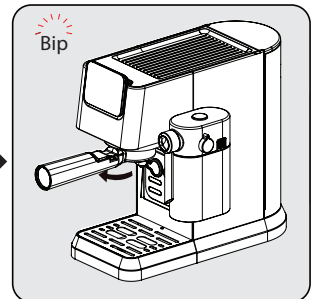
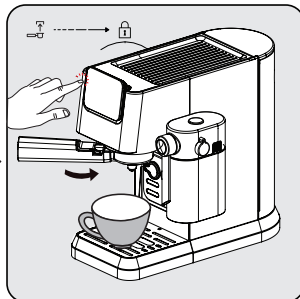
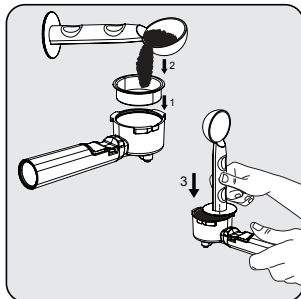
Alegeți o suprafață sigură și stabilă, cu o sursă de alimentare ușor accesibilă și permiteți o distanță minimă față de părțile laterale ale mașinii de cafea.

Umpleți rezervorul de apă cu apă proaspătă, rece și curată, cel puțin până la marcajul MIN și cel mult până la marcajul MAX. (Nu adăugați apă caldă)

Apoi introduceți rezervorul în aparat, iar celălalt capăt al cablului de alimentare într-o priză de perete cu o tensiune corespunzătoare.

Butonul de pornire/oprire (☺) de pe panoul de comandă se va aprinde. Apăsăți acel buton pentru a porni aparatul. Puneți o ceașcă exact sub capul de preparare și apăsați butonul de curățare "✦✦✦". Aparatul va emite un semnal sonor și va începe curățarea. Odată finalizată, aparatul va fi gata de utilizare.

## 4.2 Prepararea unui espresso simplu / dublu



Așezați coșul simplu sau dublu pentru espresso în suportul pentru filtru. Umpleți cafeaua proaspăt măcinată în filtru cu lingura de măsurat (aprox. 8-15 g) și folosiți lingura pentru a netezi excesul de cafea. Apăsăți cu o forță de aproximativ 15 kg cu partea de tasare a lingurii, pentru a împinge cafeaua uniform și ferm.

Instalați portafiltrul sub ieșirea cafelei. Aliniați-l cu simbolul de deblocare, glesați-l în canelură și răsuțiți-l încet spre dreapta până la simbolul de blocare.

- Așezați o ceașcă de cafea chiar sub ieșirea cafelei.

- Apăsăți butonul pentru simplu sau dublu și se va auzi un semnal sonor.

- Cafeaua selectată va începe să clipească și prepararea cafelei se va iniția.

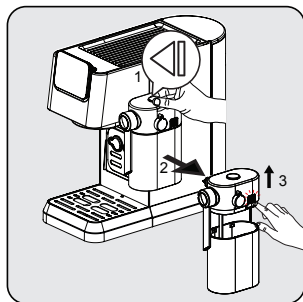
După ce prepararea este finalizată, aparatul va emite un semnal sonor și va intra în modul inactiv. Scoateți portafiltrul în sensul acelor de ceasornic. Curățați și uscați portafiltrul după fiecare utilizare.

## 4 Pregătirea

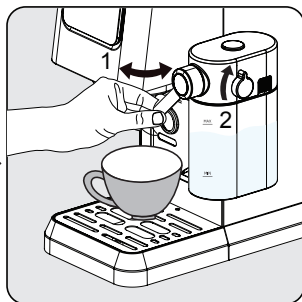
- Așteptați 5 secunde după preparare și apoi scoateți filtrul. Acest lucru va ajuta la îndepărtarea ușoară a filtrului mobil.
- Cafeaua măcinată nu poate fi utilizată după ce a fost preparată.
- Utilizați extensia mânerului pentru a scoate reziduurile de cafea, menținând în același timp coșul în poziție.
- Pentru a vă asigura că espresso se menține la temperatura optimă, vă recomandăm să preîncălziți ceștile.
- Pentru a obține cea mai bună aromă din boabele de cafea, vă recomandăm ca de fiecare dată când preparați un espresso să folosiți boabe de cafea întregi, proaspăt măcinate.
- Pe lângă cafeaua folosită, utilizarea apei reci și proaspete, fără clor, mirosuri și alte impurități, va contribui la obținerea unui espresso perfect.
- Păstrați cafeaua espresso într-un recipient ermetic și într-un loc răcoros și uscat pentru a le păstra aroma. Cafeaua nu trebuie păstrată pentru perioade lungi de timp, deoarece aroma acesteia se va diminua.

### 4.3 Preparare Cappuccino & Latte

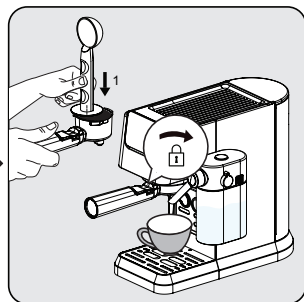
Cappuccino sau Latte sunt combinații de o doză de espresso cu diferite cantități de lapte fierbinte și spumă de lapte.



Țineți recipientul de lapte cu o mână, apăsați butonul din partea superioară a capacului recipientului de lapte pentru a scoate recipientul de lapte spre dreapta. Scoateți capacul rezervorului de lapte prin apăsarea butonului de eliberare din partea dreaptă a corpului capacului.



Adăugați lapte în recipientul de lapte. Laptele va trebui să fie întotdeauna sub marcajul maxim. Temperatura recomandată pentru lapte este de 4-8 ° C (~ 40-46 ° F). Puneți capacul recipientului de lapte și atașați recipientul de lapte la aparat, acesta trebuie să se fixeze cu un clic sonor. Asigurați-vă că recipientul de lapte se potrivește corect. Ajustați unghiul ieșirii spumei de lapte deasupra ceștii. Ajustați densitatea spumei de lapte cu ajutorul butonului, în funcție de preferințele dumneavoastră.

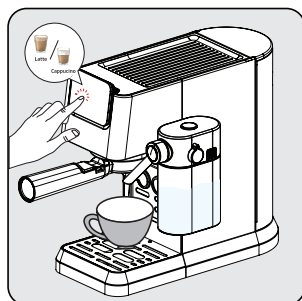


Introduceți coșul simplu în portafiltru. Umpleți filtrul cu cafea espresso fin măcinată (aproximativ 8-15g). Tasați cafeaua cu partea plată a lingurii de cafea. Instalați portafiltrul sub ieșirea cafelei. Aliniați-l cu simbolul de deblocare, glisați-l în canelură și răsușiți-l încet spre dreapta până la simbolul de blocare.

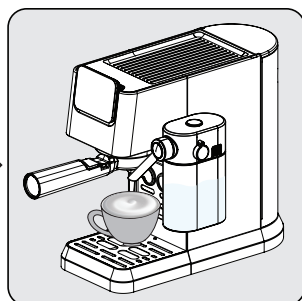


Acest aparat permite utilizatorului să seteze raportul de spumă prin rotirea butonului de la Max la Min pentru a obține spuma dorită. Recomandarea de setare pentru Latte este min-mid, iar pentru Cappuccino este mid-max. Ajustați densitatea spumei de lapte în funcție de preferințele dumneavoastră.

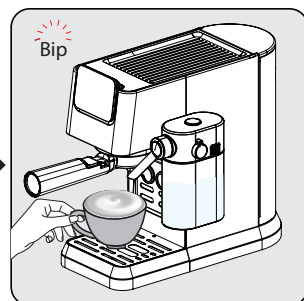
## 4 Pregătirea



Apăsați butonul "cappuccino sau latte", apoi se va auzi un semnal sonor. Butonul pentru băuturile selectate va începe să clipească și va începe prepararea.



Pompa va funcționa intermitent pe măsură ce spuma de lapte intră în ceașcă. După ce spuma de lapte este pregătită, aparatul începe automat să prepare cafeaua.



Când aparatul emite un singur semnal sonor, băuturile sunt gata, savurați-le!  
- Aparatul va reveni la modul inactiv.

### 4.4 Prepararea / Adăugarea spumei de lapte

Umpleți recipientul de lapte și ajustați butonul în poziție. Apăsați butonul pentru spumă de lapte "☒<sup>+</sup>". Aparatul va începe automat dozarea laptelui (90-140 ml). Odată finalizată, mașina va reveni la modul inactiv.

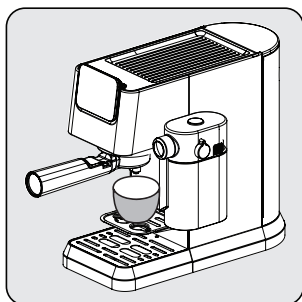


Asigurați-vă întotdeauna că recipientul de lapte este amplasat corect. Dacă acesta nu este poziționat bine, butoanele pentru cappuccino, latte și spumă de lapte se vor stinge și funcțiile nu vor fi disponibile. O avertizare sonoră va emite 3 semnale sonore pentru a indica acest lucru.

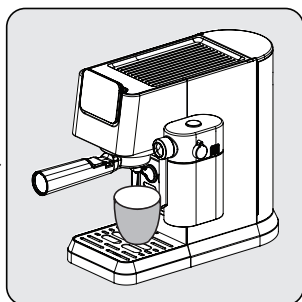


Îndepărtarea recipientului de lapte nu are niciun impact asupra preparării cafelei, programele de espresso simplu/dublu pot fi utilizate.

### 4.5 Ajustarea înălțimii pentru diferite dimensiuni ale ceștilor



Pentru cești mai mici, se poate folosi tava pentru cești (3).



Pentru ceștile de dimensiuni medii, așezați ceașca deasupra tăvii de picurare (6) în poziția normală de introducere.



În cazul în care se îndepărtează dispozitivul de picurare pentru cești mai mari, acesta trebuie să fie pus înapoi în aparat imediat după ce se termină prepararea băuturii. Dacă tava de picurare nu este așezată la loc după prepararea băuturii, din cauza eliberării sistemului intern, este posibil ca apa să ajungă la bază și să fie necesară o curățare manuală cu o cârpă uscată.

## 5 Funcționare și utilizare

### 5.1 Ajustarea volumului de cafea / lapte

#### Setarea cantităților pentru Espresso simplu și dublu

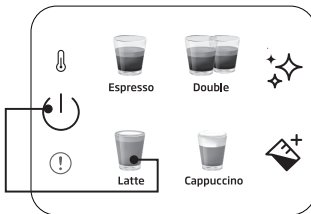
1. Selectați funcția care urmează să fie reprogramată. Apăsăți butonul corespunzător (espresso simplu sau dublu) și țineți-l apăsat. Veți auzi un semnal sonor. [cantități programabile pentru espresso simplu/dublu (min: 30/60ml, max: 50/100ml)]
2. Eliberați butonul numai după ce cantitatea dorită de cafea este dozată. Veți auzi două semnale sonore. Această cantitate este acum salvată în funcția corespunzătoare.

#### Setarea cantităților pentru Latte, Cappuccino și spumă de lapte

1. Selectați funcția care urmează să fie reprogramată. Apăsăți butonul corespunzător (cappuccino, latte sau lapte) și țineți-l apăsat. Veți auzi un semnal sonor. (Cel mai scurt timp de preparare a laptelui este de 10s, iar cel mai lung este de 45s.)
2. Eliberați butonul numai după ce a trecut timpul pe care îl doriți pentru prepararea laptelui. Veți auzi două semnale sonore. Acest timp este acum salvat în funcția corespunzătoare.
3. Pentru a modifica cantitatea de cafea neagră; după ce dozarea laptelui este finalizată, apăsați și mențineți apăsată pictograma băuturii selectate până când cantitatea dorită este dozată.

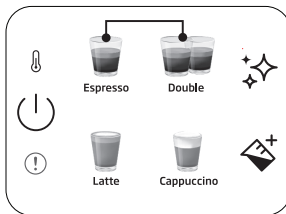


Setările ajustate ale băuturii vor fi salvate în memoria dispozitivului pentru utilizarea viitoare, până când vor fi resetate sau modificate din nou.



#### Pentru a reseta o băutură simplă la setările implicite/de fabrică:

Apăsăți și țineți apăsat simultan oricare dintre butoanele de băutură și de alimentare timp de mai mult de 3 secunde pentru a reseta cantitatea de băutură selectată.



#### Pentru a reseta toate băuturile la setările implicite/de fabrică:

Apăsăți și țineți apăsat butoanele pentru espresso simplu și dublu timp de mai mult de 3 secunde pentru a reseta cantitatea tuturor băuturilor.



Timp de repaus: Aparatul se va opri automat după 29 de minute în care nu a funcționat deloc (sau după funcționare).



## 6 Curățarea

### 6.1. Curățarea recipientului de lapte

Turnați apă în recipientul de lapte până la nivelul MAX și apăsați butonul de spumă de lapte "☒+". După ce ați terminat, scoateți componentele recipientului de lapte (9) (11) și curățați-le sub jet de apă curată.



Curățați recipientul de lapte după fiecare utilizare pentru a evita reziduurile de lapte.

### 6.2 Funcția de curățare / clătire

Pentru a curăța capul de preparare a cafelei, așezați un recipient sub capul de preparare și apăsați butonul de curățare "☒+☒". Curățarea se va finaliza în 16 secunde, iar aparatul va fi gata de utilizare.

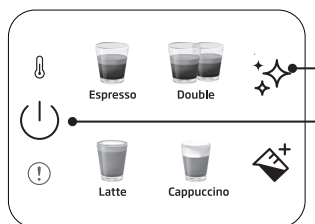


- Dacă nu utilizați aparatul pentru mai mult de 5 zile consecutive, clătiți și goliți recipientul de apă.
- Tava de picurare și grătarul său (6) (4) pot fi curățate manual sub jet de apă curată.
- Nu introduceți portafiltrul în mașina de spălat vase.

### 6.3 Funcția de detartrare

Atunci când este necesară detartrare, pictograma de detartrare "☒+☒" se va aprinde în portocaliu. Așezați sub capul de preparare un recipient care poate cuprinde 1,5 l. Turnați apă în recipientul de apă până la nivelul MAX și amestecați-o cu detartrant sau acid citric. Apăsați și țineți apăsat butonul de detartrare "☒+☒" timp de mai mult de 3 secunde și veți auzi două semnale sonore care indică faptul că a început primul ciclu de detartrare. Primul ciclu va dura în jur de 15 minute. Odată finalizat, pictograma de detartrare va deveni albă "☒+☒".

Goliți și înlocuiți recipientul de sub capul de preparare. Curățați și umpleți recipientul de apă până la nivelul MAX cu apă curată.. Apăsați și țineți apăsat butonul de detartrare "☒+☒" timp de mai mult de 3 secunde și veți auzi două semnale sonore, ceea ce indică faptul că a început al doilea ciclu de detartrare. Al doilea ciclu va dura în jur de 6 minute. După ce toate acestea sunt finalizate, mașina va reveni la starea de inactiv și va fi gata de utilizare.



#### Pentru a reseta starea de avertizare de detartrare:

Apăsați și țineți apăsat butonul de pornire și de detartrare împreună mai mult de 3 secunde.



- După un ciclu de preparare predefinit este necesară decalcifierea.
- Pentru ca aparatul să fie în cea mai bună stare de funcționare, resetarea stării de avertizare de decalcifiere nu este recomandată.

## 7.1 Probleme, posibile cauze și remedii

Problema	Cauză	Soluție
<b>Cafeaua se scurge pe partea laterală a portafiltrului.</b>	Portafiltrul (2) nu este introdus corect.	Răsuciți mânerul portafiltrului (2) mai mult spre dreapta.
	Pe marginea sitei se află cafea măcinată	Opriiți aparatul, scoateți portafiltrul (2) și curățați marginile sitei.
	Ecranul din interiorul capului de preparare este murdar.	Curățați capul de preparare folosind o cârpă umedă și rulați funcția de curățare fără a instala portafiltrul.
<b>Prin portafiltrul curge foarte puțină cafea sau nu curge deloc.</b>	Nu există apă în recipient.	Umpleți recipientul cu apă.
	Ecranul din interiorul capului de preparare este blocat.	Pregătiți apa prin ecran fără ca portafiltrul (2) să fie introdus. Dacă nu iese apă, deșurubați ecranul, curățați-l și înlocuiți-l.
	Sita este blocată.	Corectare: Curățați sita, introduceți-o în portafiltrul (2) și pompați apa prin ea fără cafea. Dacă prin sită nu intră apă, contactați Serviciul Clienți pentru a comanda o sită de schimb.
<b>Espresso iese doar sub formă de picături.</b>	Cafeaua este prea fină sau prea compactată.	Nu tasați atât de mult cafeaua măcinată. Utilizați o cafea cu o măcinare mai grosieră.
	Aparatul este blocat de depunerile de calciu.	Detartrați aparatul. Vezi pagina 15.
<b>Espresso se prepară prea repede.</b>	Cafeaua măcinată este prea groasă.	Utilizați o măcinare mai fină.
	Nu este suficientă cafea în sită.	Utilizați mai multă cafea măcinată.
<b>Fără cremă.</b>	Cafeaua este veche sau prea uscată.	Utilizați cafea proaspătă.
	Cafeaua nu a fost presată suficient de ferm. Apa pătrunde prea repede în cafea.	Presăți mai ferm cafeaua măcinată. Utilizați o măcinare mai fină.
	Cafeaua este prea grosieră.	Utilizați o mașină de măcinat cu burghiu conic pentru a obține o măcinare mai fină și mai consistentă.
	Amestec de cafea nepotrivit pentru cafea espresso.	Schimbați marca de cafea espresso.
<b>Nu se obține suficientă spumă atunci când laptele este spumat.</b>	Laptele nu este proaspăt.	Utilizați lapte proaspăt.
	Laptele nu este bun pentru spumare.	Verificați dacă laptele este potrivit pentru spumare.
	Laptele a fost prea cald încă de la început.	Folosiți lapte direct de la frigider (34°F).
	Nu este suficient lapte pentru spumare.	Utilizați mai mult lapte rece.
	Orificiul de admisie a laptelui este blocat.	Curățați orificiul de admisie a laptelui.



# CERTIFICAT DE GARANȚIE

Tensiune de alimentare/frecvență: 220-240V~, 50-60Hz  
Importator: ARCTIC S.A., Găești, Dâmbovița, str. 13 Decembrie nr. 210, email: office@arctic.ro

TIP:  **Electrocasnice mici de bucătărie**

**Cuptor cu microunde**

**Purificatoare de aer**

Model / Serie:.....

## VÂNZĂTOR

Nr. factură:.....Data: .....

Vânzător (firma, localitatea): .....

## CUMPĂRĂTOR

Nume .....Localitatea .....

Str. ....Nr. ....Bloc .....Sc. ....Et. ....Ap. ....

Județ ..... Telefon .....E-mail .....

S-a efectuat proba de funcționare a aparatului, s-a prezentat modul de folosire, s-au predat instrucțiunile de utilizare și toate accesoriile. Am primit aparatul în perfectă stare de funcționare.

Stimați clienți,

La cumpărare vă recomandăm să solicitați efectuarea probei de funcționare și să verificați existența instrucțiunilor de utilizare și a accesoriilor.

Pentru a putea beneficia de toate avantajele produselor și serviciilor noastre vă rugăm:

- să citiți cu atenție și să respectați recomandările prezentate în "Instrucțiunile de utilizare".

- să păstrați cu grijă acest certificat pentru a-l putea prezenta (împreună cu documentul fiscal de achiziție), personalului SERVICE ARCTIC, la orice sesizare efectuată în perioada de garanție.

Vă mulțumim că ați optat pentru cumpărarea unui produs Beko!

## Garanția legală de conformitate

**Durata medie de utilizare a produsului este de 5 ani!**

**Perioada de garanție a produsului este de 3 ani de la livrarea produsului\*.**

**Perioada de 3 ani garanție se compune din garanția legală de conformitate de 2 (doi) ani la care se adaugă garanția comercială de durabilitate de 1 (un) an. Acordarea garanției comerciale de durabilitate se acordă în aceleași condiții în care se acordă garanția legală de conformitate.**

\*prin „produs” se înțelege „bun” conform OUG nr. 140/2021<sup>1</sup>

Perioada de garanție legală de conformitate pentru conținutul digital sau serviciul digital în cazul bunurilor cu elemente digitale pentru care contractul de vânzare-cumpărare prevede furnizarea continuă de conținut digital sau a serviciului digital pe durată determinată este de:

a) 2 ani de la livrare, respectiv de la livrarea bunului - pentru produse cu durata medie de utilizare de 5 ani (art. 9 (3) din OUG nr. 140/2021);

b) 5 ani de la livrare, respectiv de la livrarea bunului - pentru produse cu durata medie de utilizare mai mare de 5 ani (art. 9 (3) din OUG nr. 140/2021);

c) Pe tot parcursul perioadei de furnizare a conținutului / serviciului digital - pentru furnizare continuă a conținutului / serviciului digital pe o perioadă mai mare de 5 ani (art. 9 (4) din OUG nr. 140/2021).

<sup>1</sup>Ordonanță de urgență 140/2021 privind anumite aspecte referitoare la contractele de vânzare de bunuri



Service-ul acestui produs este asigurat de ARCTIC S.A. cu sediul în Găești, Dâmbovița, str. 13 Decembrie nr. 210. • \*9010 • www.arctic.ro • www.beko.ro • e-mail: service@arctic.ro  
Program Call Center: Luni - Vineri 08:30 - 20:00; Sâmbătă 08:30 - 17:00



## **Remedii incluse în garanția legală de conformitate conform OUG nr. 140/2021**

(vă rugăm să aveți în vedere prevederile de mai jos)

### **ARCTIC garantează toate drepturile legale prevăzute de OUG nr. 140/2021 în beneficiul consumatorilor cu privire la garanția legală de conformitate. Dispozițiile prezentului certificat de garanție legală de conformitate se completează, în mod corespunzător, cu dispozițiile OUG nr. 140/2021.**

În caz de neconformitate, consumatorul are dreptul de a beneficia de aducerea în conformitate a bunurilor, de a beneficia de o reducere proporțională a prețului sau de a obține încetarea contractului, în condițiile legii - art. 11 (1).

Consumatorii beneficiază de înlocuirea bunurilor în cazul în care neconformitatea acestora este constatată la scurt timp după livrare, fără a depăși 30 de zile calendaristice. Art.11(7)

Pentru ca bunurile să fie aduse în conformitate, consumatorul poate opta între reparație și înlocuire, cu excepția cazului în care măsura corectivă aleasă ar fi imposibilă sau, în comparație cu cealaltă măsură corectivă disponibilă, ar impune vânzătorului costuri care ar fi disproporționate, luând în considerare toate circumstanțele (ex. valoarea bunurilor în cazul în care nu ar fi existat neconformitatea, gravitatea neconformității sau dacă măsura corectivă alternativă ar putea fi executată fără vreun inconvenient semnificativ pentru consumator) - art. 11 (2).

#### **Instalarea incorectă a bunurilor (art. 7).**

Orice neconformitate cauzată de instalarea incorectă a bunurilor este considerată ca reprezentând o neconformitate a bunurilor, în oricare din următoarele situații:

- a) instalarea face parte din contractul de vânzare și a fost realizată de vânzător sau sub răspunderea vânzătorului;
- b) instalarea, destinată să fie realizată de consumator, a fost realizată de acesta și instalarea incorectă s-a datorat unor deficiențe în instrucțiunile de instalare furnizate de vânzător sau, în cazul bunurilor cu elemente digitale, de către vânzătorul sau furnizorul conținutului digital sau al serviciului digital.

#### **Proba neconformității.**

Orice neconformitate care este constatată în termen de un an de la data la care bunurile (inclusiv cele cu elemente digitale) au fost livrate este prezumată a fi existat deja în momentul livrării bunurilor până la proba contrarie sau cu excepția cazului în care această prezumție este incompatibilă cu natura bunurilor sau cu natura neconformității - art. 10 (1).

În cazul bunurilor cu elemente digitale pentru care contractul de vânzare prevede furnizarea continuă de conținut digital sau de servicii digitale pentru o anumită perioadă, sarcina probei cu privire la conformitatea conținutului digital sau a serviciului digital pe parcursul perioadelor de garanție legală îi revine vânzătorului în cazul unei neconformități care este constatată pe parcursul acestei perioade - art. 10 (3).

#### **Remediere prin reparație.**

În cazul în care neconformitatea este remediată prin reparație, termenele de garanție legală se prelungesc cu timpul de nefuncționare a bunului, din momentul la care a fost adusă la cunoștința vânzătorului lipsa de conformitate până la predarea efectivă a bunului în stare de utilizare normală către consumator - art. 12 (6).

## **Remediere prin înlocuire.**

În cazul în care neconformitatea este remediată prin înlocuire, pentru bunurile care înlocuiesc bunurile neconforme, termenele legale de garanție pentru produsul înlocuit încep să curgă de la data înlocuirii cu noul produs - art. 12 (7).

## **Reducerea prețului și încetarea contractului.**

Consumatorul are dreptul fie să obțină o reducere proporțională a prețului în conformitate cu legea, fie să obțină încetarea contractului de vânzare în condițiile legii, în oricare dintre următoarele cazuri - art. 11(4):

- a) vânzătorul nu a finalizat reparația sau înlocuirea sau, după caz, nu a finalizat reparația sau înlocuirea potrivit prevederilor legii sau vânzătorul a refuzat să aducă în conformitate bunurile potrivit prevederilor legii;
- b) se constată o neconformitate, în pofida eforturilor vânzătorului de a o remedia;
- c) neconformitatea este de o asemenea gravitate încât justifică o reducere de preț sau dreptul la încetarea imediată a contractului de vânzare;
- d) vânzătorul a declarat că nu va aduce bunurile în conformitate într-un termen rezonabil sau fără inconveniente semnificative pentru consumator ori acest lucru reiese clar din circumstanțele cazului.

Consumatorul are dreptul de a suspenda plata unei părți restante din prețul bunurilor sau a unei părți a acesteia până în momentul în care vânzătorul își va fi îndeplinit obligațiile care îi revin în temeiul legii - art. 11(6). Reducerea de preț este proporțională cu diminuarea valorii bunurilor primite de consumator în comparație cu valoarea pe care bunurile ar avea-o dacă ar fi în conformitate - art.13.

## **Încetarea contractului:**

- a) nu poate fi solicitată dacă vânzătorul dovedește că neconformitatea este minoră;
- b) poate fi solicitată pentru totalitatea bunurilor achiziționate și livrate, deși motivul de încetare vizează doar anumite bunuri, în cazul în care consumatorului nu i se poate pretinde în mod rezonabil să accepte să păstreze numai bunurile conforme;
- c) determină obligația consumatorului de a returna vânzătorului bunurile, pe cheltuiala vânzătorului;
- d) determină obligația vânzătorului de a rambursa consumatorului prețul plătit pentru bunuri la primirea bunurilor sau a unei dovezi prezentate de consumator că bunurile au fost returnate; vânzătorul va folosi aceleași modalități de plată ca și cele folosite de consumator pentru tranzacția inițială, cu excepția cazului în care consumatorul a fost de acord cu o altă modalitate de plată și cu condiția de a nu cădea în sarcina consumatorului plata de comisioane în urma rambursării.

Garanția legală pentru vicii ascuns este aplicabilă în condițiile legii, conform OG nr. 21/1992 (revizia 2) privind protecția consumatorului, OUG nr. 140/2021 și Codului Civil. Viciul ascuns reprezintă deficiența calitativă a unui produs livrat sau a unui serviciu prestat care nu a fost cunoscută și nici nu putea fi cunoscută de către consumator prin mijloacele obișnuite de verificare.



Service-ul acestui produs este asigurat de ARCTIC S.A. cu sediul în Găești, Dâmbovița, str.13 Decembrie nr. 210. • \*9010 • [www.arctic.ro](http://www.arctic.ro) • [www.beko.ro](http://www.beko.ro) • e-mail: [service@arctic.ro](mailto:service@arctic.ro)  
Program Call Center: Luni - Vineri 08:30 - 20:00; Sâmbătă 08:30 - 17:00

## UNITĂȚILE SERVICE ALE ARCTIC S.A. EXECUTĂ REPARAȚII ÎN TERMENUL DE GARANȚIE ȘI ÎN AFARA ACESTUIA

Nr. crt.	Data Reclamației	Data primirii în reparare	Reparat		Cauza întârzierii	Reparația curentă și/sau componenta înlocuită	Efectuarea verificării	
			Programat	Data ridicării aparatului			SERVICE	CLIENT

### CONDIȚII SUPLEMENTARE DE GARANȚIE :

Pentru orice defecțiune aparută în perioada de garanție, apălați la vânzător (respectiv, prin magazinul de unde a fost achiziționat produsul sau direct prin Call Center Arctic). Prelungirea termenului de garanție se va înscrive în certificatul de garanție de către unitatea SERVICE care a efectuat reparația. Garanția acoperă repararea și/sau înlocuirea pieselor constatate ca neconforme în sensul OUG nr. 140/2021. (necauzate de consumator) de către tehnicienii Service Arctic. Termenul de realizare a operațiilor de reparare, înlocuire sau întreținere este de 15 zile calendaristice de la data la care cumpărătorul a sesizat lipsa de conformitate către vânzător (respectiv, prin magazinul de unde a achiziționat produsul sau direct prin Call Center Arctic).

- Reparațiile / înlocuirile se efectuează cu respectarea următoarelor condiții - art. 12(1)-(5) din OUG nr. 140/2021:
- fără costuri și fără vreun inconvenient semnificativ pentru consumator, ținând seama de natura bunurilor și de scopul pentru care consumatorul a solicitat bunurile în cauză;
  - consumatorul pune bunurile la dispoziția vânzătorului, iar vânzătorul preia bunurile înlocuite pe propria cheltuială;
  - obligatia de a repara sau înlocui bunurile include, după caz, demontarea bunurilor neconforme și instalarea bunurilor de înlocuire sau a bunurilor reparate sau suportarea costurilor aferente demontării și instalării;
  - consumatorul nu este obligat să plătească pentru utilizarea normală a bunurilor înlocuite în perioada care a precedat înlocuirea acestora.

### Reclamațiile referitoare la aspectele prevăzute mai jos, se rezolvă numai contra cost:

- piesele și accesoriile care prezintă lovituri, zgârieturi, spărturi sau deformări din vina exclusivă a consumatorului.

### PRODUSUL NU BENEFICIAZĂ DE GARANȚIE ÎN URMĂTOARELE CAZURI:

- Nu au fost respectate instrucțiunile de transport, manipulare, instalare, utilizare și întreținere prescrite.
- Subansamblurile și accesoriile casabile care se deteriorează în timpul transportului vor fi înlocuite de vânzător (în cazul în care transportul e asigurat de vânzător sau sub responsabilitatea acestuia).
- Garanția nu se acordă subsansamblelor și accesoriilor casabile ale produselor care suferă deteriorări din vina exclusivă a consumatorului.
- Tensiunea de alimentare are valori care nu se încadrează în limitele prevăzute de standarde (SR EN 50160).
- Instalarea electrică a utilizatorului prezintă improvizații sau neconformități.
- Produsul a fost folosit în alte scopuri decât cel pentru care a fost proiectat.
- Produsul a suportat intervenții (reparații, modificări) din partea unor persoane neautorizate de producător.

### Drepturile consumatorului sunt cele prevăzute în OUG nr. 140/2021 și OG 21/1992 (replicată).

În cadrul acestui proces Arctic vă prelucrează date cu caracter personal, cu respectarea legilor aplicabile privind confidențialitatea și protecția datelor. Pentru informații complete despre modul în care vă prelucrăm datele, precum și despre drepturile dumneavoastră, vă rugăm să consultați secțiunea "Protecția datelor personale", accesând site-ul nostru la adresa <https://www.beko.ro/>.

# Leggere questo manuale d'uso prima dell'utilizzo!

Gentile Cliente,

Grazie per aver scelto un prodotto Beko. Ci auguriamo che ottenga i migliori risultati dal prodotto, che è stato fabbricato con standard di alta qualità e tecnologia all'avanguardia. La invitiamo a leggere attentamente questo manuale d'uso e tutti gli altri documenti forniti in dotazione prima di utilizzare il prodotto, e di conservarli come riferimento per uso futuro. Se si dovesse consegnare il prodotto a qualcun altro, fornisca anche il manuale d'uso. Osservare tutte le avvertenze e le informazioni contenute nel manuale d'uso.

## Spiegazione dei simboli

I seguenti simboli sono utilizzati in diverse sezioni di questo manuale:



Informazioni importanti. Suggerimenti utili relativamente all'uso.



**PERICOLO:** Avvertenza per situazioni di pericolo in relazione alla vita e ai neni.



**ATTENZIONE:** Questo avvertimento indica situazioni potenzialmente pericolose.



**CAUTELA:** Questo avvertimento indica potenziali danni al materiale.



I materiali sono idonei al contatto alimentare



**CARTA RICICLATA E  
RICICLABILE**

Questa sezione include le istruzioni di sicurezza che aiuteranno a fornire protezione contro lesioni personali e rischi di perdite materiali. La mancata osservanza di queste istruzioni invalida la garanzia.

## 1.1 Pericolo per corrente elettrica

Pericolo di vita dovuto all'energia elettrica!

Il contatto con cavi o componenti sotto tensione potrebbe causare lesioni gravi o addirittura la morte!

Osservare le seguenti precauzioni di sicurezza per evitare scosse elettriche:

- Non utilizzare la macchina da caffè se il cavo di collegamento o la spina sono danneggiati.
- Prima di riutilizzare la macchina da caffè, il cavo di alimentazione deve essere sostituito da un elettricista qualificato.
- Non aprire la carcassa della macchina da caffè. Vi è pericolo di shock elettrico se vengono toccati collegamenti sotto

tensione e / o viene modificata la configurazione elettrica e meccanica.

## 1.2 Pericolo di scottature o ustioni

Alcune componenti della macchina da caffè si surriscaldano molto in fase di utilizzo! Le bevande erogate e il vapore che fuoriesce sono molto caldi!

Attenersi alle seguenti precauzioni di sicurezza per evitare scottature / ustioni a se stessi e / o ad altri:

- Non toccare nessuno dei manici metallici su entrambi i beccucci del caffè.
- Evitare il contatto diretto della pelle con la fuoriuscita di vapore o acqua calda di risciacquo, di pulizia e decalcificazione.

## 1.3 Precauzioni fondamentali di sicurezza

Osservare le seguenti precauzioni di sicurezza per garantire un utilizzo sicuro della



macchina da caffè:

- Non giocare mai con il materiale di imballaggio. Rischio di soffocamento.
- Ispezionare la macchina da caffè per cercare segni visibili di danni prima dell'uso. Non utilizzare una macchina da caffè danneggiata.
- Se il cavo di alimentazione è danneggiato, deve essere sostituito dal produttore o da un suo agente o da una persona comunque qualificata per evitare pericoli.
- Le riparazioni della macchina da caffè devono essere eseguite solo da un tecnico autorizzato o dal servizio clienti dell'azienda. Riparazioni non qualificate possono comportare un notevole pericolo per l'utente. Inoltre annulleranno la garanzia.
- Le riparazioni della macchina da caffè durante il periodo di garanzia, possono essere eseguite solo da centri di assistenza autorizzati dal produttore, altrimenti in caso di danni successivi la garanzia decade.
- Le parti difettose possono essere sostituite solo con ricambi originali. Solo i ricambi originali garantiscono il rispetto dei requisiti di sicurezza.
- Questo apparecchio può essere utilizzato da persone con ridotte capacità fisiche, sensoriali o mentali o con mancanza di esperienza e conoscenze, se sotto supervisione o se hanno ricevuto istruzioni sull'uso dell'apparecchio in modo sicuro e ne comprendono i pericoli.
- Questo apparecchio può essere usato da bambini a partire dagli 8 anni di età solamente se sotto supervisione o dopo aver ricevuto istruzioni relative all'uso sicuro dell'apparecchio stesso e se ne hanno compreso i rischi. Gli interventi di pulizia e manutenzione non vanno eseguiti da bambini a meno che non abbiano almeno 8 anni e siano supervisionati. Tenere

- l'apparecchio e il rispettivo cavo fuori dalla portata dei bambini di età inferiore agli 8 anni.
- I bambini non devono giocare con l'apparecchio.
  - Questo elettrodomestico è destinato all'uso domestico e applicazioni simili, tra cui:
    - aree cucina per il personale di negozi, uffici e altri ambienti di lavoro;
    - fattorie;
    - da clienti in hotel, motel e altri ambienti di tipo residenziale;
    - ambienti tipo bed and breakfast.
  - Proteggere la macchina da caffè dagli agenti atmosferici come pioggia, gelo e luce solare diretta. Non utilizzare la macchina da caffè all'aperto.
  - L'elettrodomestico non deve essere immerso.
  - Non lavare la macchina da caffè o gli accessori in lavastoviglie.
  - Non versare altri liquidi oltre all'acqua e non inserire alimenti nel serbatoio dell'acqua della macchina.
  - Non riempire il serbatoio dell'acqua oltre la tacca di massimo (bordo inferiore del foro di riempimento) (1,1 litri).
  - Azionare la macchina solo quando il contenitore dei fondi di caffè, la vaschetta raccogli gocce e la griglia delle tazze sono montati.
  - Non tirare il cavo per rimuovere la spina dalla presa di rete né toccarlo con le mani bagnate.
  - Non appendere la macchina da caffè per il cavo di alimentazione.
  - Tenere l'apparecchio e il rispettivo cavo fuori dalla portata dei bambini di età inferiore agli 8 anni.
  - Prima di rimuovere il serbatoio dell'acqua per riempirlo o svuotarlo, spegnere sempre la macchina.
  - Posizionare sempre l'unità su una superficie di lavoro piana, stabile e resistente al calore.
  - Prima della preparazione del

caffè, il portafiltro deve essere alloggiato completamente a destra per evitare che si allenti a causa dell'alta pressione.

- Un uso improprio può causare gravi lesioni. Per proteggersi da incendi, scosse elettriche o lesioni personali, non immergere il cavo, le spine elettriche, la base riscaldante in acqua o altri liquidi. Non utilizzare alcun apparecchio con un cavo o una spina danneggiati, dopo un malfunzionamento dell'elettrodomestico, quando è caduto o è stato danneggiato in qualsiasi modo. Contattare il produttore o il suo servizio clienti.
- La superficie dell'elemento riscaldante è soggetta a calore residuo dopo l'uso, non toccare la superficie calda, utilizzare la maniglia o il pulsante. Tenere sempre le mani lontane dal contenitore e dalla macchina durante l'uso e successivamente per ridurre il rischio di lesioni alle persone.

- La macchina per il caffè non deve essere riposta in un mobile quando è in uso.

## 1.4 Uso previsto

La macchina da caffè espresso manuale di Beko è destinata all'uso domestico e per applicazioni simili, ad esempio nelle cucine per il personale, in negozi, uffici e aree simili o da parte dei clienti di bed&breakfast, hotel, motel e altri alloggi. Questa macchina da caffè non è destinata ad un uso commerciale. La macchina è destinata esclusivamente alla preparazione del caffè e al riscaldamento di latte e acqua. Ogni altro uso diverso da quello precedentemente dichiarato è considerato improprio.

### **L'uso improprio può essere pericoloso!**

Se non viene utilizzata per lo scopo previsto o è usata in altro modo, la macchina da caffè può essere o diventare una fonte di pericolo.



- Pertanto, la macchina da caffè può essere utilizzata solo per lo scopo previsto.
- Attenersi alle procedure descritte in questo manuale utente.

Non saranno accettati reclami di alcun tipo per danni o lesioni derivanti dall'utilizzo della macchina da caffè per scopi diversi da quelli previsti.

Il rischio è a carico esclusivo del proprietario della macchina.

## 1.5 Limitazione di responsabilità

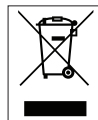
Tutte le informazioni tecniche, i dati e le istruzioni sull'installazione, il funzionamento e la manutenzione della macchina da caffè contenute in queste istruzioni per l'uso, rappresentano lo stato attuale al momento della stampa e si basano sulle migliori conoscenze possibili acquisite dall'esperienza e dal know-how.

Nessun reclamo può essere derivato dalle informazioni, illustrazioni e descrizioni presenti in questo manuale utente.

Il produttore non si assume alcuna responsabilità per danni o lesioni derivanti dal mancato rispetto delle istruzioni contenute nel manuale di istruzioni, per un uso diverso da quello previsto, per riparazioni eseguite da parte di personale non idoneo, per modifiche non autorizzate o per l'uso di pezzi di ricambio non originali.

## 1.6 Conformità alla direttiva WEEE smaltimento dei rifiuti:

Questo prodotto è conforme alla direttiva WEEE dell'UE (2012/19/EU). Questo prodotto reca un simbolo che lo classifica tra i rifiuti di apparecchiature elettriche ed elettroniche (WEEE).



Questo simbolo indica che, al termine della sua vita utile, questo prodotto non dovrà essere smaltito insieme ad altri rifiuti domestici. Il dispositivo usato deve essere riportato ad un punto di raccolta ufficiale per il riciclo dei dispositivi elettrici ed elettronici. Per trovare questi punti di raccolta, contattare le autorità locali o il rivenditore presso il quale il prodotto è stato acquistato. Ogni famiglia svolge un ruolo importante nel recupero e nel riciclo dei vecchi elettrodomestici. Uno smaltimento corretto degli apparecchi usati aiuta a prevenire potenziali conseguenze negative per l'ambiente e la salute umana.

## 1.7 Conformità con la direttiva RoHS

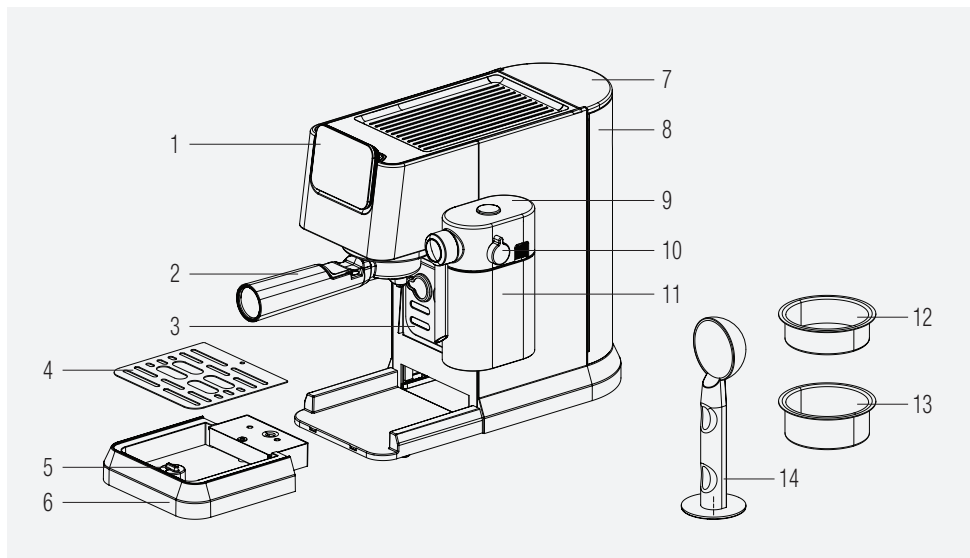
Il prodotto acquistato è conforme alla Direttiva UE RoHS (2011/65/EU). Non contiene i materiali dannosi e proibiti indicati nella Direttiva.

## 1.8 Informazioni sull'imballaggio



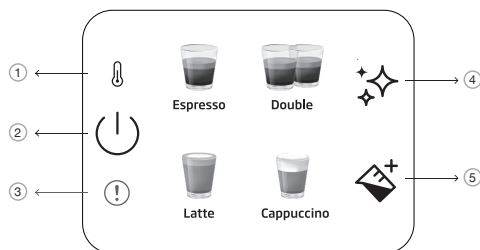
I materiali che compongono l'imballaggio del prodotto sono realizzati a partire da materiali riciclabili in conformità con le nostre Normative Ambientali Nazionali. Non smaltire i materiali di imballaggio insieme ai rifiuti domestici o ad altri rifiuti. Portarli nei punti di raccolta per i materiali da imballaggio designati dalle autorità locali

## 2 Panoramica e pannello di controllo



1. Pannello di controllo
2. Portafiltro
3. Porta tazza
4. Griglia vaschetta raccogli gocce
5. Galleggiante
6. Vaschetta raccogli gocce
7. Coperchio del serbatoio dell'acqua
8. Serbatoio dell'acqua
9. Coperchio del serbatoio del latte
10. Manicotto di montatura
11. Serbatoio del latte
12. Setaccio per espresso singolo
13. Setaccio per doppio espresso
14. Paletta/tampone da caffè

### 2.1 Pannello di controllo



1		Indicatore di pre-riscaldamento
2		Pulsante On/Off e annulla
3		Errore generale
4		Pulsante per pulizia e decalcificazione
5		Pulsante latte

Tutti i valori dichiarati sul prodotto e sui foglietti stampati, vengono rilevati dopo le misurazioni di laboratorio eseguite secondo gli standard relativi. Questi valori possono differire dopo l'uso e a seconda delle condizioni ambientali.

## 3 Dati tecnici

**Alimentazione:** 220-240 V~, 50-60 Hz

**Potenza:** 1376 - 1628 W

I diritti di apportare modifiche tecniche e di progettazione è riservato.

Tutti i valori dichiarati sul prodotto e sui foglietti stampati, vengono rilevati dopo le misurazioni di laboratorio eseguite in base ai relativi standard. Questi valori possono differire a seconda dell'uso e delle condizioni ambientali.

### **Dimensioni del prodotto:**

20,5 cm (Larghezza) x 30,8 cm (Altezza) x 42,3 cm (Profondità)

[Larghezza con/senza tazza da latte: 14,4 cm

Profondità con/senza portafiltro: 32,5 cm]

**Peso:** 3.85±0.5kg

**Lunghezza del cavo:** >90 cm

### **Capacità setaccio**

**Caffè singolo:** 10g

**Caffè doppio:** 17g

**Capacità vaschetta raccogli gocce** Fino a 0.2 L

**Capacità del serbatoio dell'acqua:** 1.1±5%L

**Tempo di pre-riscaldamento della macchina:** <55s

### **Volume del caffè (Impostazioni predefinite):**

Espresso: 30-55ml

Doppio: 65-95ml

Latte: 170-280 ml latte, 30-55 ml caffè

Cappuccino: 114-190 ml latte, 30-55 ml caffè



Questo pulsante si illuminerà in arancione " ✨ " quando è necessario eseguire la decalcificazione della macchina.

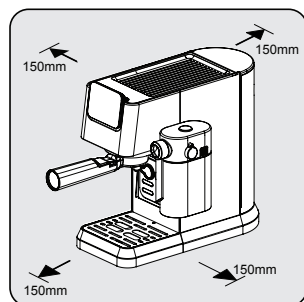


Se l'NTC non è collegato alla scheda di alimentazione, la luce rossa dell'indicatore di errore sarà accesa in quel momento e non ci sarà risposta se viene premuto un pulsante.

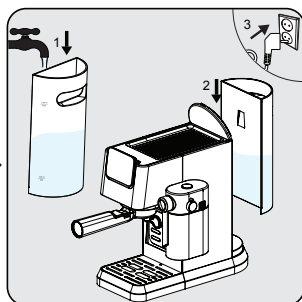
## 4 Preparazione

### 4.1 Primo utilizzo

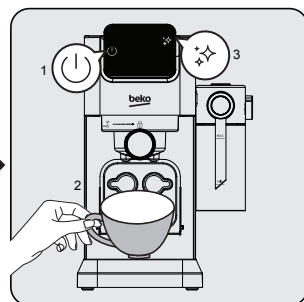
**i** Rimuovere eventuali pellicole protettive, adesivi e qualsiasi altro materiale di imballaggio dall'elettrodomestico.

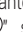



Scegliere una superficie sicura e stabile con un'alimentazione facilmente raggiungibile e lasciare uno spazio libero minimo ai lati della macchina.

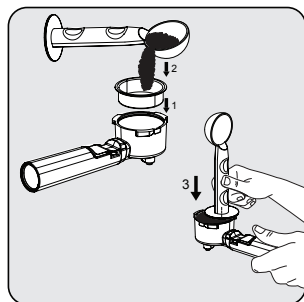


Riempire il serbatoio dell'acqua con acqua fresca e pulita almeno fino alla tacca MIN e massimo fino alla tacca MAX. (Non aggiungere acqua calda)  
Quindi inserire il serbatoio sulla macchina e l'altra estremità del cavo di alimentazione in una presa a muro con la tensione di alimentazione adeguata.

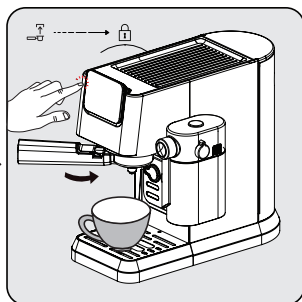


Il pulsante di accensione/spengimento  sul pannello di controllo si illuminerà. Premere quel pulsante per accendere la macchina. Mettere una tazza sotto alla testa di erogazione e premere il pulsante per la pulizia . La macchina emetterà un segnale acustico e inizierà la pulizia. Una volta completata, la macchina sarà pronta per l'uso.

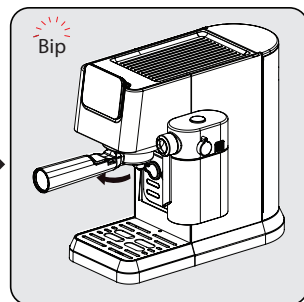
### 4.2 Preparazione di un espresso singolo/doppio



Posizionare il setaccio per espresso singolo o doppio nel portafiltro. Versare la polvere di caffè appena macinata nel filtro con il misurino (circa 8-15 g) e utilizzare il cucchiaino per appiattire la polvere in eccesso. Con l'estremità a tampone del cucchiaino, applicare circa 15 kg per spingere la polvere in modo uniforme e deciso.



Installare il portafiltro sotto l'uscita del caffè. Allinearlo con il simbolo di sblocco, farlo scorrere nella scanalatura e ruotarlo lentamente verso destra fino al simbolo di blocco.  
- Posizionare una tazza da caffè proprio sotto l'erogatore del caffè.  
- Premere il pulsante singolo o doppio: verrà emesso un segnale acustico.  
- La tipologia di caffè selezionato comincerà a lampeggiare e partirà la preparazione della bevanda.



Al termine della preparazione, la macchina emetterà un segnale acustico e entrerà in modalità inattiva. Rimuovere il portafiltro in senso orario. Pulire il portafiltro e asciugarlo dopo ogni utilizzo.

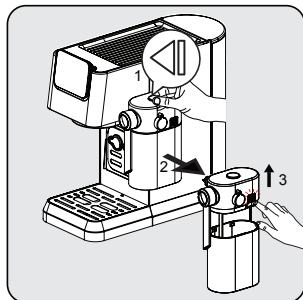
## 4 Preparazione

- Attendere 5 secondi dopo la preparazione e quindi estrarre il filtro. Ciò contribuirà a rimuovere facilmente il filtro mobile.
- La polvere di caffè non può essere utilizzata dopo la preparazione.
- Usa l'estensione del manico per eliminare i residui di caffè mantenendo il setaccio in posizione.
- Per garantire che il tuo espresso rimanga ad una temperatura ottimale, consigliamo di preriscaldare le tazze.
- Per estrarre il massimo aroma dai chicchi di caffè, si consiglia di utilizzare chicchi di caffè interi appena macinati ogni volta che si prepara l'espresso.
- Oltre al caffè utilizzato, l'utilizzo di acqua fresca e fredda, priva di cloro, odori e altre impurità, contribuirà a garantire la preparazione di un espresso perfetto.
- Conservare i fondi dell'espresso in un contenitore ermetico e in un luogo fresco e asciutto per conservare il sapore. I fondi non devono essere conservati per lunghi periodi di tempo poiché l'aroma perderà di intensità.

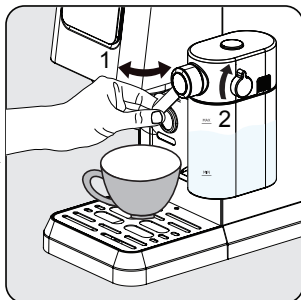
i

### 4.3 Preparazione del Cappuccino e Latte

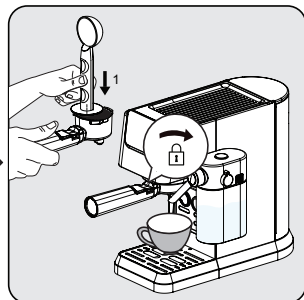
Cappuccino o Latte sono combinazioni di un caffè espresso con diverse quantità di latte caldo e schiuma di latte.



Tenendo il serbatoio del latte con una mano, premere il pulsante sulla parte superiore del coperchio del serbatoio del latte per rimuovere il serbatoio del latte spostandolo verso destra. Rimuovere il coperchio del serbatoio del latte premendo il pulsante di rilascio sul lato destro del corpo del coperchio.



Aggiungere il latte al serbatoio del latte. La quantità di latte dovrebbe essere sempre al di sotto del segno massimo. La temperatura consigliata per il latte è di 4-8 °C (~ 40-46 °F). Mettere il coperchio del serbatoio del latte e fissare il serbatoio del latte all'apparecchio, deve scattare in posizione emettendo un segnale udibile. Assicurarsi che il serbatoio del latte venga posizionato correttamente. Regolare l'angolazione dell'uscita della schiuma di latte sopra la tazza. Regolare la densità della schiuma di latte con l'aiuto della manopola in base alle proprie preferenze.



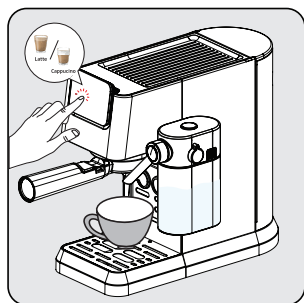
Inserire il setaccio per caffè singolo nel portafiltro. Riempire il filtro con polvere per espresso finemente macinata (circa 8-15g). Spingere la polvere verso il basso con il lato piatto di un cucchiaino da caffè. Installare il portafiltro sotto l'uscita del caffè. Allinealo con il simbolo di sblocco, farlo scorrere nella scanalatura e ruotarlo lentamente verso destra fino al simbolo di blocco.

i

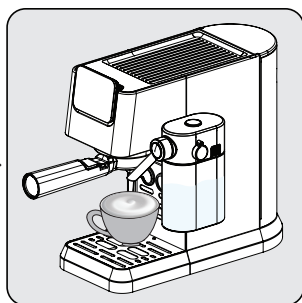
Questa macchina consente all'utente di impostare il rapporto di schiuma ruotando la manopola da Max a Min per godere della schiuma desiderata. L'impostazione suggerita per Latte è min-mid, Cappuccino è mid-max. Regolare la densità della schiuma di latte in base alle proprie preferenze.



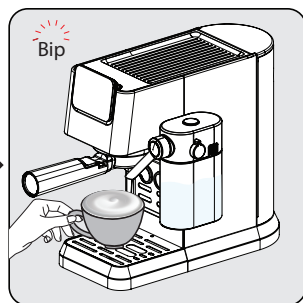
## 4 Preparazione



Premere il pulsante "cappuccino o latte", quindi verrà emesso un segnale acustico. Il pulsante delle bevande selezionate inizierà a lampeggiare e partirà l'erogazione.




La pompa funzionerà a intermittenza quando il latte montato entra per la prima volta nella tazza. Dopo che è pronto il latte montato, il dispositivo avvia automaticamente l'erogazione del caffè.



Quando l'unità emette un segnale acustico, le bevande sono pronte da gustare!  
- La macchina tornerà alla modalità inattiva.

### 4.4 Erogazione / Aggiunta di latte montato

Riempire il serbatoio del latte e regolare la manopola in posizione. Premere il pulsante per montare il latte . La macchina inizierà automaticamente ad erogare il latte (90-140 ml). Una volta completata l'operazione, la macchina tornerà in modalità inattiva.

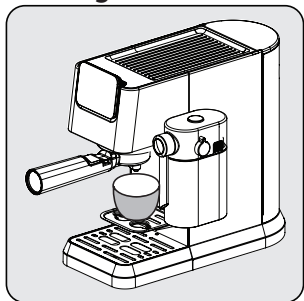


Assicurarsi sempre che il serbatoio del latte sia posizionato correttamente. Se non montato bene, i tasti cappuccino, latte e schiuma di latte si spegneranno e le funzioni non saranno disponibili. Il cicalino suonerà emettendo 3 segnali acustici per indicare questo.

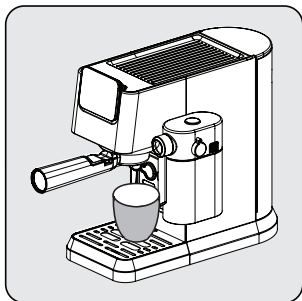


La rimozione del serbatoio del latte non ha alcun impatto sull'erogazione del caffè, è possibile utilizzare programmi espresso singolo/doppio.

### 4.5 Regolazione dell'altezza in base alle dimensioni della tazza



Per tazze più piccole è possibile utilizzare la vaschetta per tazze (3).



Per tazze di dimensioni medie, posizionare la tazza sopra la vaschetta raccogli gocce (6) nella posizione normalmente inserita.



Se la vaschetta raccogli gocce viene rimosso per tazze più grandi, deve essere riposto nella macchina subito dopo il completamento della preparazione della bevanda. Se la vaschetta raccogli gocce non viene riposizionato dopo la preparazione della bevanda, a causa del rilascio interno del sistema, l'acqua potrebbe raggiungere la base ed è necessaria una pulizia manuale con un panno asciutto.

## 5 Uso e funzionamento

### 5.1 Regolazione del volume del caffè / latte

#### Impostazione della quantità per un espresso singolo o doppio

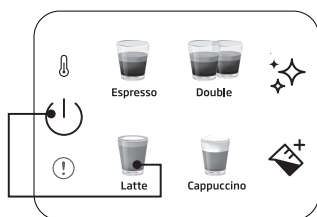
1. Selezionare la funzione da riprogrammare. Premere l'apposito pulsante (espresso singolo o doppio) e tenerlo premuto. Si udirà un segnale acustico. [quantità programmabili per espresso singolo/doppio (min: 30/60ml, max: 50/100ml)]
2. Rilasciare il pulsante solo quando è passata la quantità di caffè desiderata. Si udiranno due segnali acustici. Questa quantità viene ora salvata nella funzione corrispondente.

#### Impostare le quantità di Latte, Cappuccino e Schiuma di Latte

1. Selezionare la funzione da riprogrammare. Premere l'apposito pulsante (cappuccino, latte o latte) e tenerlo premuto. Si udirà un segnale acustico. (Il tempo più breve per la preparazione del latte è di 10 secondi, il tempo più lungo è di 45 secondi.)
2. Rilasciare il pulsante solo una volta trascorso il tempo di erogazione del latte desiderato. Si udiranno due segnali acustici. Questo tempo viene ora salvato nella funzione corrispondente.
3. Per modificare la quantità di caffè nero; al termine dell'erogazione del latte, tenere premuta l'icona della bevanda selezionata fino al passaggio della quantità desiderata.

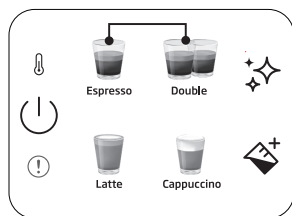


Le impostazioni della bevanda regolate verranno salvate nella memoria del dispositivo per un utilizzo futuro fino a quando non verranno ripristinate o modificate nuovamente.



#### Per ripristinare le singole bevande alle impostazioni predefinite/di fabbrica:

Premere e tenere premuti contemporaneamente i pulsanti di alimentazione e bevanda per più di 3 secondi così da reimpostare la quantità della bevanda selezionata.



#### Per ripristinare tutte le bevande alle impostazioni predefinite/di fabbrica:

Premere e tenere premuti contemporaneamente i pulsanti per espresso singolo e doppio per più di 3 secondi così da azzerare la quantità di tutte le bevande.



Tempo di standby: La macchina si spegnerà automaticamente dopo 29 minuti di inattività (o dopo il funzionamento).

## 6 Pulizia

### 6.1 Pulizia del serbatoio del latte

Versare acqua nel serbatoio del latte fino al livello MAX e premere il tasto schiuma di latte "☞+". Al termine dell'operazione, estrarre i componenti del serbatoio latte (9) (11) e pulirli sotto acqua corrente.



Pulire il serbatoio del latte dopo ogni utilizzo per evitare residui di latte.

### 6.2 Funzione Pulizia/Risciacquo

Per pulire la testa di erogazione, posizionare un contenitore sotto la testa di erogazione e premere il pulsante per la pulizia "☞☞". La pulizia sarà completata entro 16 secondi e la macchina pronta per l'uso.

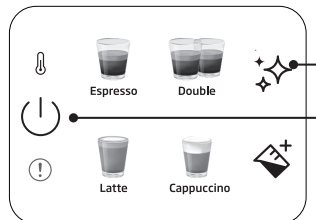


- Se non si utilizza la macchina per più di 5 giorni consecutivi, sciacquare e svuotare il serbatoio dell'acqua.
- La vaschetta raccogliogocce e la relativa griglia (6) (4) possono essere pulite manualmente sotto acqua pulita.
- Non mettere il portafiltro nella lavastoviglie.

### 6.3 Funzione di decalcificazione

Quando è necessaria la decalcificazione, la luce dell'icona di decalcificazione "☞☞☞" si colorerà di arancione. Posizionare un contenitore che possa contenere 1,5 l sotto la testa di erogazione. Versare acqua nel serbatoio dell'acqua fino al livello MAX e mescolare con anticalcare o acido citrico. Tenere premuto il pulsante di decalcificazione "☞☞☞" per più di 3 secondi e si udiranno due segnali acustici ad indicare che il primo ciclo di decalcificazione è iniziato. Il primo ciclo durerà circa 15 minuti. Al termine, l'icona della decalcificazione si illuminerà in bianco "☞☞☞".

Svuotare e riposizionare il contenitore sotto la testa di erogazione. Pulire e riempire il serbatoio dell'acqua fino al livello MAX con acqua pulita. Tenere premuto il pulsante di decalcificazione "☞☞☞" per più di 3 secondi e si udiranno due segnali acustici ad indicare che il primo ciclo di decalcificazione è iniziato. Il secondo ciclo durerà circa 6 minuti. Una volta completato tutto il processo, la macchina tornerà alla fase di inattività e sarà pronta per l'uso.



#### Per reimpostare lo stato di avviso relativo alla decalcificazione:

Tenere premuti contemporaneamente i pulsanti di accensione e decalcificazione per più di 3 secondi.



- La decalcificazione è necessaria dopo il ciclo di erogazione predefinito.
- Il ripristino dello stato di avviso di decalcificazione non è consigliato per mantenere le migliori condizioni dell'elettrodomestico.

## 7 Risoluzione dei problemi

### 7.1 Problemi, possibili cause e rimedi

Problema	Causa	Rimedio
<b>Il caffè scorre sul lato del portafiltro.</b>	Il portafiltro (2) non è inserito correttamente.	Ruotare ulteriormente verso destra la maniglia del portafiltro (2).
	L'orlo del setaccio non è privo di caffè macinato	Spegnere la macchina, togliere il portafiltro (2) e pulire i bordi del setaccio.
	Lo schermo all'interno della testa di infusione è sporco.	Pulire la testa di erogazione usando un panno umido ed eseguire la funzione di pulizia senza inserire il portafiltro.
<b>Poco o nessun caffè attraverso il portafiltro.</b>	Acqua mancante nel serbatoio.	Riempire d'acqua il serbatoio.
	Lo schermo all'interno della testa di infusione è bloccato.	Infondere acqua attraverso lo schermo senza portafiltro (2) inserito. Se non esce acqua, svitare lo schermo, pulire e sostituire.
	Il setaccio è bloccato.	Soluzione: Pulire il setaccio, inserirlo nel portafiltro (2) e pompare acqua senza caffè. Se dal setaccio non esce acqua contattare il servizio Clienti per ordinare un setaccio di ricambio.
<b>L'espresso viene erogato ma solo a gocce.</b>	Il macinato di caffè è troppo fine o pressato con troppa forza.	Non premere il caffè macinato con troppa forza. Usare una macinatura più grossa per il caffè.
	Macchina bloccata da depositi di calcio.	Disincrostare l'apparecchio. Vedere pagina 15.
<b>L'espresso viene preparato troppo rapidamente.</b>	Il caffè macinato è troppo grosso.	Utilizzare una macina più fine.
	Caffè insufficiente nel setaccio.	Utilizzare più caffè macinato.
<b>Niente crema.</b>	Caffè vecchio o troppo asciutto.	Utilizzare caffè fresco.
	Caffè non spinto sufficientemente in basso. L'acqua spinge il caffè troppo rapidamente.	Premere il caffè macinato con più forza. Utilizzare una macina più fine.
	Il caffè macinato è troppo grosso.	Usare un macinacaffè conico per ottenere un caffè macinato più sottile e uniforme.
	Miscela caffè non adatta al caffè espresso.	Cambiare marca dell'espresso.
<b>Niente vapore dall'asta di montatura.</b>	Latte non fresco.	Utilizzare latte fresco.
	Latte non adatto.	Verificare che il latte sia idoneo alla montatura.
	Il latte era troppo caldo sin dall'inizio.	Utilizzare il latte direttamente dal frigorifero (34°F).
	Latte da montare insufficiente.	Usare latte più freddo.
	Il foro di ingresso del latte è bloccato.	Pulire il foro di ingresso del latte.

## **CERTIFICATO DI GARANZIA**

La presente garanzia convenzionale descrive le condizioni di garanzia offerte da BEKO Italy S.r.l. ("Beko") con riferimento ai propri prodotti. La presente garanzia convenzionale si intende come aggiuntiva e non sostitutiva della garanzia legale, di cui è responsabile il venditore, e non pregiudica qualsiasi altro diritto di cui gode il consumatore ai sensi del D.lgs. 206/05 ("Codice del Consumo").

Per consumatore si intende esclusivamente colui che utilizza il prodotto per scopi estranei all'attività imprenditoriale o professionale eventualmente svolta e che quindi ne fa un uso domestico/privato

Questo certificato non deve essere spedito per la convalida. È valido e operante solo se conservato assieme allo scontrino fiscale o altro documento di acquisto fiscalmente obbligatorio.

### **Condizioni di Garanzia**

1. BEKO garantisce il prodotto in relazione a difetti di fabbricazione per un periodo di 24 mesi dalla data di acquisto (in caso di acquisto da parte di consumatori) e di 12 mesi dalla data di acquisto (in caso di acquisto da parte di professionisti con fattura).
2. La garanzia è valida esclusivamente per prodotti venduti e installati sul territorio italiano, o sul territorio della Repubblica di San Marino e della Città del Vaticano, e deve essere comprovata da scontrino fiscale o fattura, che riporti il nominativo del venditore, la data di acquisto del prodotto nonché gli estremi identificativi dello stesso (tipo e modello).
3. Beko effettuerà a sua scelta la riparazione o sostituzione gratuita dei componenti difettosi o la sostituzione gratuita del prodotto con un prodotto uguale o con caratteristiche equivalenti o migliori. La gratuità degli interventi riguarda sia la manodopera sia i componenti di ricambio. La sostituzione del prodotto sarà effettuata solo in caso la riparazione risulti impossibile o eccessivamente onerosa.
4. L'intervento di riparazione sarà effettuato al domicilio dell'utente, fatto salvo i casi d'impossibilità oggettiva o di forza maggiore.
5. La riparazione o sostituzione dei componenti e la sostituzione del prodotto stesso non estendono la durata della garanzia, che rimane quindi di 24 o 12 mesi dalla data di acquisto del prodotto originale.
6. Non sono coperti dalla presente garanzia: manopole, lampade, parti in vetro e in plastica, tubazioni e accessori, tutte le parti asportarli, tutte le parti estetiche e tutti i materiali soggetti ad usura (quali, ad esempio, guarnizioni in gomma, cinghie, manicotti ecc.).
7. BEKO declina ogni responsabilità per eventuali danni che possano derivare, direttamente od indirettamente, a persone e cose come conseguenza del mancato rispetto da parte dell'utente delle istruzioni incluse nell'apposito manuale allegato a ciascun prodotto ed in particolar modo delle istruzioni relative alla installazione, all'uso ed alla manutenzione del prodotto stesso.
8. La garanzia non è operativa e conseguentemente gli interventi di assistenza saranno effettuati a pagamento da parte dell'utente nei seguenti casi:
  - a. Danni al prodotto dovuti al trasporto o alla movimentazione del prodotto stesso.
  - b. Interventi di installazione e montaggio e tutte le eventuali regolazioni, come la registrazione delle porte nei frigoriferi e/o l'inversione dell'apertura, il livellamento dei prodotti, l'eliminazione delle staffe di fissaggio vasca, la sostituzione degli ugelli e la regolazione del minimo su cucine e piani cottura.
  - c. Malfunzionamenti derivanti da installazione errata, imperfetta o incompleta del prodotto, incluse l'errata connessione o errata erogazione dalle reti di alimentazione e la mancanza di allacciamento alla presa di terra.

d. Interventi da effettuarsi in spazi eccessivamente ristretti per poter operare sui prodotti, in luoghi con eccessiva o scarsa temperatura dell'ambiente, o su prodotti installati ad oltre mt. 2,50 da un piano di lavoro stabile, o in posizioni disagiate e pericolose, che non possano garantire l'incolumità dell'operatore come stabilito dalle norme di legge sulla sicurezza sul lavoro.

e. Danni al prodotto causati da agenti atmosferici (fulmini, terremoti, incendi, alluvioni, ecc.) o da circostanze esterne che non siano riconducibili a difetti di fabbricazione del prodotto.

f. Riparazioni, modifiche o manomissioni effettuate da persone non autorizzate dal produttore o comunque per cause non dipendenti dal prodotto.

g. Mancanza dei documenti fiscali di acquisto del prodotto, oppure se gli stessi risultano contraffatti o non inerenti al prodotto, o se il numero di matricola del prodotto risulta asportato, cancellato o manomesso.

h. Uso improprio del prodotto o uso diverso da quanto stabilito dal produttore.

i. Guasti e malfunzionamenti dovuti a uso improprio del prodotto e/o a mancanza di regolare manutenzione, incuria e negligenza (ad esempio, mancata pulizia batterie condensanti, fori di drenaggio, filtri di scarico e filtri di entrata acqua, mancata eliminazione corpi estranei, insufficiente pulizia dei piani di cottura, ecc.) e in generale tutte le circostanze esterne che non siano riconducibili a difetti di fabbricazione del prodotto.

Beko si riserva la facoltà di addebitare all'utente il costo dell'intervento di assistenza nei casi in cui non sia stato riscontrato il difetto lamentato dall'utente, o nei casi di generici problemi di funzionamento correlati a errata impressione dell'utente (problemi di asciugatura, rumorosità, difetti di lavaggio, eccessiva formazione di schiuma, nonché problemi di centrifuga, di raffreddamento, di riscaldamento, ecc.).

Nei casi sopra citati in cui la garanzia non è operativa, si intendono a pagamento anche tutti gli eventuali trasporti necessari per lo svolgimento degli interventi di assistenza.

Il Servizio Assistenza di BEKO è l'unico autorizzato a riparare i prodotti a marchio BEKO sulla base della presente garanzia convenzionale.

Durante e dopo il periodo di garanzia, vi consigliamo di rivolgervi sempre ai nostri centri di assistenza autorizzati. Per contattare il Centro di Assistenza Tecnica Autorizzato operante nella vostra zona chiamate il numero unico per l'Italia:

**02.03.03 per i prodotti a marchio**

The Beko logo consists of the word "beko" in a lowercase, blue, sans-serif font. A horizontal blue line is positioned below the letters "e" and "o".

**02.06.06 per i prodotti a marchio**

The Grundig logo features the word "GRUNDIG" in a bold, uppercase, orange-red, sans-serif font.

Prima di contattare l'assistenza tecnica, al fine di agevolare la gestione della chiamata, è necessario avere a portata di mano il modello del prodotto e il documento fiscale di acquisto.

# Nejprve si přečtěte tento návod, prosím!

Vážení zákazníci,

Děkujeme Vám, že jste si zvolili tento spotřebič Beko. Doufáme, že Vám výrobek, který byl vyroben kvalitně a moderními technologiemi, přinese to nejlepší. Přečtěte si pečlivě celý tento návod a veškerou doprovodnou dokumentaci ještě předtím, než začnete výrobek používat, a uschovejte je pro pozdější nahlédnutí. Pokud výrobek předáte někomu jinému, předejte mu také uživatelskou příručku. Vezměte prosím v úvahu všechna varování a informace uvedené v návodu k použití.

## Vysvětlení symbolů

V různých částech tohoto návodu jsou použity tyto symboly.



Důležité informace nebo užitečné rady o použití.



**NEBEZPEČÍ:** Toto upozornění upozorňuje na nebezpečné situace vůči životu a majetku.



**UPOZORNĚNÍ:** Toto upozornění označuje potenciálně nebezpečné situace.



**VÝSTRAHA:** Toto upozornění upozorňuje na možnost vzniku materiálních škod.



Materiály jsou vhodné pro styk s potravinami



**RECYKLOVANÝ A  
RECYKLOVATELNÝ  
PAPÍR**

Tato část obsahuje bezpečnostní pokyny, které pomohou zajistit ochranu před riziky zranění osob a před materiálními škodami. Nedodržením těchto pokynů ztrácíte platnost poskytnuté záruky.

## 1.1 Nebezpečí zásahu elektrickým proudem

Ohrožení života elektrickým proudem!

Kontakt s vodiči nebo komponenty pod napětím může způsobit vážné zranění nebo dokonce smrt!

Pro zabránění úrazu elektrickým proudem, dodržujte následující bezpečnostní opatření:

- Nepoužívejte kávovar, pokud je poškozený připojovací kabel nebo zástrčka.
- Před opětovným použitím kávovaru musí síťový kabel vyměnit kvalifikovaný elektrikář.
- Neotvírejte kryt kávovaru. Nebezpečí úrazu elektrickým proudem při dotecích pod napětím a/nebo při změně

elektrické a mechanické konfigurace.

## 1.2 Nebezpečí popálení nebo opaření

Části kávovaru se mohou během provozu velmi zahřát! Vydávané nápoje a unikající pára jsou velmi horké!

Dodržujte následující bezpečnostní opatření, abyste zabránili spálení/opaření sebe a/nebo ostatních:

- Nedotýkejte se ani jednoho z kovových špiček na obou výtocích kávy.
- Zabraňte přímému kontaktu pokožky s unikající párou nebo s horkým oplachováním, čištěním a odstraňováním vodního kamene.

## 1.3 Základní bezpečnostní opatření

Pro bezpečné zacházení s kávovarem dodržujte následující bezpečnostní opatření:

- Nikdy se nehrajte s obalovým materiálem. Nebezpečí udušení



- Před použitím zkontrolujte kávovar, zda nemá viditelné známky poškození. Nepoužívejte poškozený kávovar.
- Pokud je přívodní kabel poškozen, musí jej vyměnit výrobce nebo jeho zástupce nebo podobně kvalifikovaná osoba, aby se zabránilo riziku.
- Opravy kávovaru smí provádět pouze autorizovaný odborník nebo zákaznický servis. Neodborné opravy mohou pro uživatele představovat značné nebezpečí. Také zanikají záruky.
- Opravy kávovaru během záruční doby mohou provádět pouze servisní střediska autorizované výrobcem, v opačném případě zaniká záruka v případě následného poškození.
- Poškozené díly se mohou vyměnit pouze za originální náhradní díly. Pouze originální náhradní díly zaručují splnění bezpečnostních požadavků.
- Spotřebiče mohou používat osoby se sníženými fyzickými, smyslovými nebo mentálními schopnostmi nebo s nedostatkem zkušeností a znalostí, pokud jsou pod dohledem nebo dostali pokyny týkající se bezpečného používání zařízení a chápou související rizika.
- Tento spotřebič mohou používat děti ve věku od 8 let, pokud jsou pod dohledem nebo jim byly dány instrukce týkající se použití přístroje osobou zodpovědnou za jejich bezpečnost. Čištění a údržbu nesmějí provádět děti, pokud nejsou starší 8 let a nejsou pod dohledem. Udržujte přístroj a přívodní kabel mimo dosah dětí mladších 8 let.
- S přístrojem si nesmí hrát děti.
- Toto zařízení je určeno pro použití v domácnosti a v podobných podmínkách, jako jsou například:
  - kuchyně pro zaměstnance v obchodech, kancelářích a jiných pracovních prostředích
  - farmové domy;
  - pro potřeby zákazníků v hotelech, motelech a jiných

typech bytových zařízení;  
- v ubytovacím prostředí.

- Chraňte kávovar před povětrnostními vlivy, jako je déšť, mráz a přímé sluneční záření. Nepoužívejte kávovar venku.
- Spotřebič nesmí být ponořen do vody.
- Kávovar nebo příslušenství nečistěte v myčce nádobí.
- Do vody nenalévejte žádné jiné tekutiny, ani do ní nedávejte potraviny.
- Nenaplňujte nádrž na vodu za značku maxima (dolní okraj plnicího otvoru) (1,1 litru).
- Stroj obsluhujte pouze tehdy, když je namontována nádoba na odpad, odkapávací mísa a mřížka na pohár.
- Netahejte za kabel, abyste vytáhli zástrčku ze zásuvky, ani se ho nedotýkejte mokřýma rukama.
- Kávovar nedržte za síťový kabel.
- Udržujte přístroj a přívodní kabel mimo dosah dětí mladších 8 let.
- Před vyjmutím nádržky na vodu, pro naplnění nebo vyprázdnění, zařízení vždy vypněte.
- Přístroj vždy umístěte na rovnou, stabilní, tepelně odolnou pracovní plochu.
- Před vařením se musí portafiltr co nejtěsněji otočit doprava, aby se zabránilo uvolnění portafiltru v důsledku vysokého tlaku.
- Při nesprávném používání může dojít k vážnému poranění. K ochraně před požárem, úrazem elektrickým proudem nebo poraněním osob neponořujte kabel, elektrické zástrčky, topnou základnu do vody nebo jiných kapalin. Nepoužívejte žádný spotřebič s poškozeným kabelem nebo zástrčkou, nebo pokud spotřebič nefunguje správně, spadl, nebo byl jakýmkoli způsobem poškozen. Obratťe se na výrobce nebo jeho zákaznický servis.
- Povrch topného tělesa je po použití vystaven zbytkovému teplu, nedotýkejte se horkého povrchu, používejte rukojeť nebo tlačítko. Během používání a po něm vždy držte ruce mimo

nádobu a stroj, abyste snížili riziko poranění osob.

- Kávovar nesmí být při používání umístěn ve skříňce.

## 1,4- Běžný účel použití

Manuální espresso kávovar Beko je určen pro použití v domácnostech a podobných aplikacích, například v kuchyních pro zaměstnance, obchodech, kancelářích a podobných oblastech nebo zákaznicky v penzionech, hotelích, motelech a jiných obytných zařízeních. Tento kávovar není určen pro komerční použití. Stroj je určen pouze pro přípravu kávy a na ohřev mléka a vody. Každé jiné použití, jak bylo uvedeno výše, se považuje za nesprávné použití.

### Nebezpečí způsobené nesprávným použitím!

Pokud se kávovar nepoužívá k určenému účelu nebo se používá jiným způsobem, může být zdrojem nebezpečí nebo se jím může stát.



- Kávovar proto může používat pouze k určenému účelu.
- Dodržujte postupy uvedené v této uživatelské příručce.

Žádné nároky jakéhokoliv druhu, které vzniknou v důsledku používání kávovaru na jiný než určený účel, nebudou akceptovány za škody nebo zranění. Riziko musí snášet výhradně vlastník stroje.

## 1.5 Omezení odpovědnosti

Veškeré technické informace, údaje a pokyny o instalaci, provozu a údržbě kávovaru uvedené v tomto návodu k obsluze představují aktuální stav v době tisku a vycházejí z nejlepších možných poznatků získaných zkušenostmi a know-how.

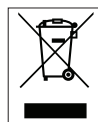
Z informací, ilustrací a popisů v této uživatelské příručce není možné odvodit žádné nároky.

Výrobce neodpovídá za škody nebo zranění v důsledku nedodržení návodu k použití, použití

na jiné než určené účely, neodborných oprav, neoprávněných úprav nebo použití neschválených náhradních dílů.

## 1.6 Dodržování směrnice WEEE a odstranění odpadů výrobku

Tento výrobek splňuje požadavky směrnice WEEE EU (2012/19/EU). Na tomto produktu je zobrazen symbol klasifikace odpadu elektrických a elektronických zařízení (WEEE).



Tento symbol znamená, že na konci své životnosti se tento výrobek nesmí likvidovat spolu s ostatním domovním odpadem. Použité zařízení se musí odnést na oficiální sběrné místo za účelem recyklace elektrických a elektronických zařízení. Tato sběrná místa naleznete na místním úřadě nebo u prodejce, kde jste výrobek zakoupili. Každá domácnost plní důležitou roli při zhodnocování a recyklaci starých spotřebičů. Správná likvidace použitého spotřebiče pomáhá předcházet možným negativním následkům pro životní prostředí a lidské zdraví.

## 1.7 Soulad se směrnicí RoHS

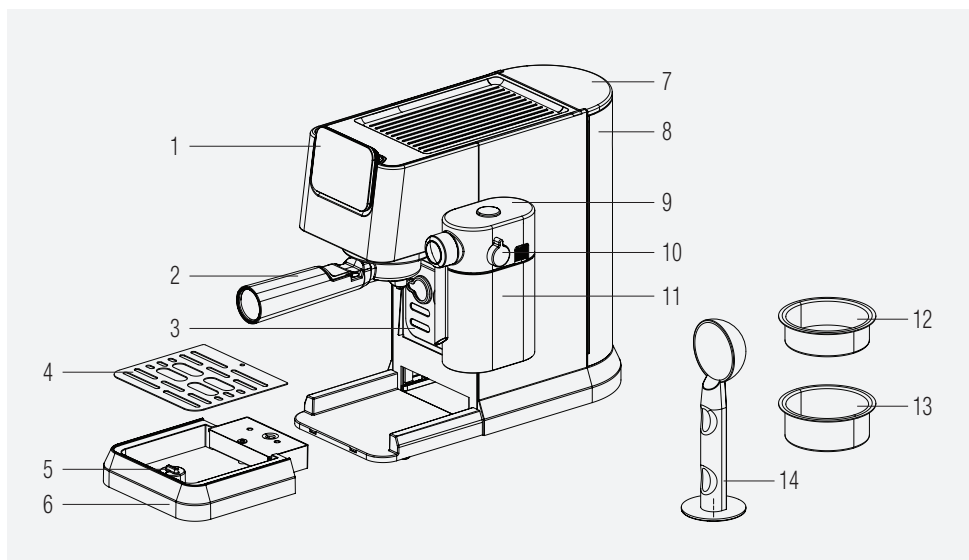
Výrobek, který jste si zakoupili, vyhovuje směrnici EU RoHS (2011/65/EU). Neobsahuje škodlivé a zakázané látky uvedené ve směrnici.

## 1.8 Informace o balení



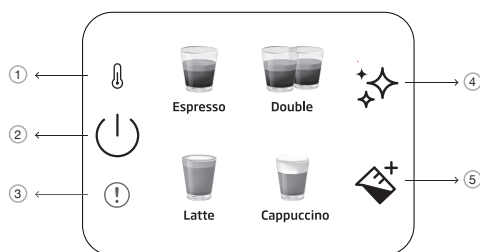
Obalové materiály výrobku jsou vyrobeny z recyklovatelných materiálů v souladu s našimi vnitrostátními předpisy o životním prostředí. Nevyhazujte obalové materiály spolu s domácími nebo jinými odpady. Vezměte je do sběrných míst pro obalové materiály určené místními orgány

## 2 Přehled a Ovládací panel



1. Ovládací panel
2. Portafilter
3. Držák na šálku
4. Mřížka odkapávací misky
5. Plovák
6. Odkapávací zásobník
7. Víko nádržky na vodu
8. Nádrž na vodu
9. Kryt nádrže na mléko
10. Knoflík pro nastavení mléčné pěny
11. Nádrž na mléko
12. Jednoduchý koš na espresso
13. Dvojitý koš na espresso
14. Naběračka na kávu / Tamper

### 2.1 Ovládací panel



1		Kontrolka předehřívání
2		Tlačítko zapnutí/vypnutí a zrušení
3		Generální porucha
4		Tlačítko pro čištění a odstraňování vodního kamene
5		Tlačítko na mléko

Všechny deklarované hodnoty na produktu a na vytištěných letáčích jsou zachycovány po laboratorních měřeních provedených podle souvisejících norem. Tyto hodnoty se mohou lišit v závislosti na použití a od okolních podmínek.

## 3 Technické údaje

**Napájení:** 220-240 V~, 50-60 Hz

**Výkon:** 1376 - 1628 W

Práva na technické a designové změny jsou vyhrazena.

Všechny deklarované hodnoty na výrobku a v tištěných letácích byly získány z laboratorních měření provedených podle příslušných norem. Tyto hodnoty se mohou lišit v závislosti a použití a od okolních podmínek.

### **Rozměry výrobku:**

20,5 cm (šířka) x 30,8 cm (výška) x 42,3 cm (hloubka)

[Šířka bez sklenice na mléko: 14,4 cm

Hloubka bez portafiltru: 32,5 cm]

**Hmotnost:** 3,85±0,5 kg

**Délka kabelu:** >90 cm

### **Kapacita koše**

**Jednoduché:** 10g

**Dvojité:** 17g

**Objem odkapávací misky:** Do 0,2 l

**Kapacita nádrže na vodu:** 1,1±5% l

**Doba přehřevu stroje:** <55s

### **Objem kávy (výchozí nastavení):**

Espresso: 30-55ml

Dvojité: 65-95ml

Latte: 170-280 ml mléka, 30-55 ml kávy

Cappuccino: 114-190 ml mléka, 30-55 ml kávy



Toto tlačítko " ✨ " se rozsvítí oranžově, když stroj potřebuje odstranění vodního kamene.

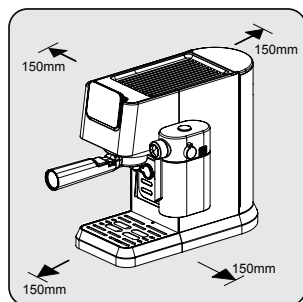


Pokud NTC není připojen k napájecí desce, bude v té době svítit červená kontrolka indikátoru chyby a po stisknutí jakéhokoliv tlačítka nebude reagovat.

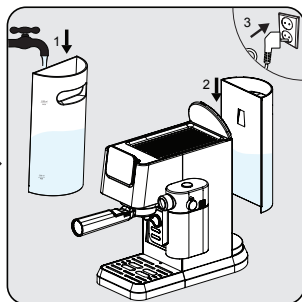
## 4 Příprava

### 4.1 První použití

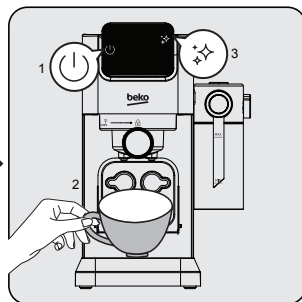
**i** Odstraňte z přístroje veškeré ochranné fólie, nálepky a jakýkoli jiný obalový materiál.



Vyberte si bezpečný a stabilní povrch s lehce dostupným zdrojem energie a umožněte minimální vzdálenost od stran strojů.

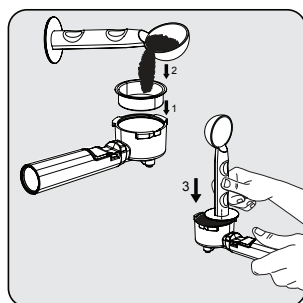


Nádržku na vodu naplňte čerstvou, studenou čistou vodou minimálně po značku MIN a maximálně po značku MAX. (Nepřidávejte horkou vodu) Potom vložte nádrž do stroje a druhý konec napájecího kabelu do zásuvky s vhodným napětím.

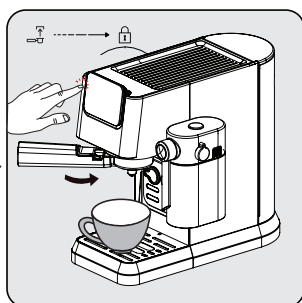


Na ovládacím panelu se rozsvítí tlačítka zapnutí/vypnutí "⏻". Stisknutím tohoto tlačítka zapnete zařízení. Položte šálek přímo pod varnou hlavu a stisknete tlačítko čištění "🧼". Zařízení vydá jeden zvukový signál a začne čistit. Po dokončení bude zařízení připraveno k použití.

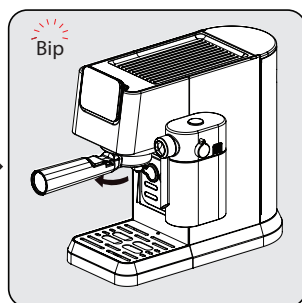
### 4.2 Vaření jednoduchého / dvojitého espresso



Do držáku filtru vložte jednoduchý nebo dvojitý koš na espresso. Čerstvě umlेतou kávu nasypete do filtru pomocí odměrky (přibližně 8-15 g) a pomocí lžičky vyrovnejte přebytečný prášek. Ubíjecím koncem lžice zatlačte přibližně 15 kg, abyste prášek rovnoměrně a pevně zatlačili.



Nainstalujte portafiltr pod výpust kávy. Zarovnejte jej se symbolem odemčení, zasuněte jej do drážky a pomalu jej otočte doprava k symbolu uzamčení.  
- Umístěte šálek kávy přímo pod výpust kávy.  
- Stisknete jednoduché nebo dvojité tlačítko a ozve se zvukový signál.  
- Vybraná káva začne blikat a začne se připravovat nápoje.



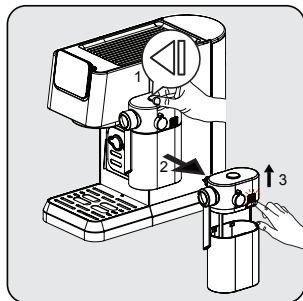
Po dokončení vaření kávovar vydá jeden zvukový signál a přejde do režimu nečinnosti. Vyměňte portafiltr ve směru hodinových ručiček. Po každém použití vyčistíte portafiltr a vysušte jej.

## 4 Příprava

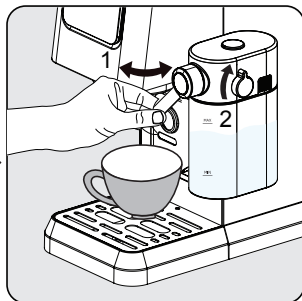
- Po vaření počkejte 5 sekund a poté vyjměte filtr. To pomůže snadno odstranit pohyblivý filtr.
  - Kávový prášek po vaření nelze použít.
  - Pomocí prodloužení rukojeti vyklopte zbytky kávy a zároveň udržíte koš na místě.
  - Chcete-li zajistit optimální teplotu espressa, doporučujeme předeřhřívat šálky.
  - Chcete-li z kávových zrn vytěžit co nejplnější chuť, doporučujeme při každé přípravě espressa používat čerstvě umletá celá kávová zrna.
- i**
- Kromě použité kávy pomůže k dokonalému espressu také použití čerstvé studené vody bez chlóru, zápachu a jiných nečistot.
  - Mleté espresso skladujte ve vzduchotěsné nádobě na chladném a suchém místě, aby si zachovalo svoji chuť. Mletá káva by se neměla uchovávat delší dobu, protože se sníží její chuť.

### 4.3 Vaření cappuccina a latte

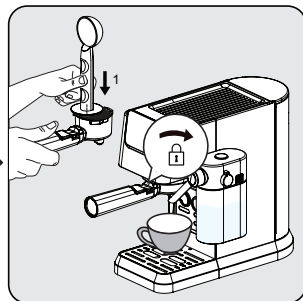
Cappuccino nebo Latte jsou kombinace jedné dávky espressa s různým množstvím horkého mléka a mléčné pěny.



Držte nádržku na mléko jednou rukou, stisknete tlačítko na horní straně víka nádržky na mléko, abyste nádržku na mléko vybrali směrem doprava. Stisknutím uvolňovacího tlačítka na pravé straně tělesa víka odstraňte víko nádržky na mléko.



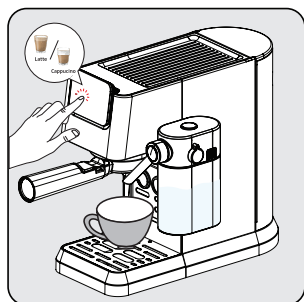
Do nádržky na mléko přidejte mléko. Mléko by mělo být vždy pod maximální hranicí. Doporučená teplota mléka je 4-8 °C (~ 40-46 °F). Nasadte víko nádržky na mléko a připojte nádržku na mléko ke spotřebiči, musí slyšitelně zacvaknout na místo. Ujistěte se, že nádržka na mléko je správně nasazena. Nastavte úhel výstupu mléčné pěny nad šálkem. Hustotu mléčné pěny nastavte pomocí knoflíku podle svých preferencí.



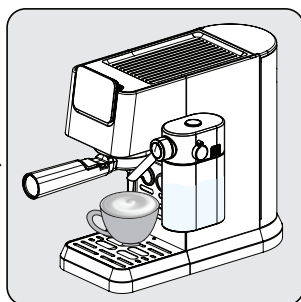
Do portafiltru vložte jeden koš. Naplňte filtr jemně mletým espresso práškem (přibližně 8-15g). Prášek stiskněte plochou stranou kávové lžičky. Nainstalujte portafiltr pod výstup kávy. Zarovnejte jej se symbolem odemčení, zasuňte jej do drážky a pomalu jej otočte doprava k symbolu uzamčení.

**i** Tento přístroj umožňuje uživateli nastavit poměr pěny otáčením knoflíku od Max po Min, pro vychutnání požadované pěny. Doporučené nastavení pro Latte je min-střed, Cappuccino je střed-max. Hustotu mléčné pěny upravte podle svých preferencí.

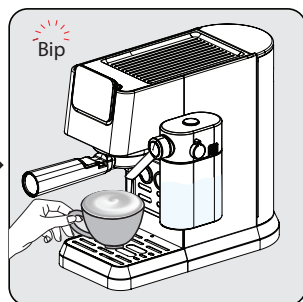
## 4 Příprava



Stiskněte tlačítko "cappuccino nebo latte", poté zazní jedno pípnutí. Vybrané tlačítko pro nápoje začne blikat a spustí se vaření.



Čerpadlo bude pracovat s přestávkami, když se mléčná pěna poprvé dostane do šálku. Když je mléčná pěna připravena, zařízení automaticky začne vařit kávu.



Když přístroj jednou pípne, nápoje jsou připraveny, vychutnejte si je!  
- Kávovar se vrátí do klidového režimu.

### 4.4 Vaření / Přidávání mléčné pěny

Naplňte nádržku na mléko a nastavte knoflík do správné polohy. Stiskněte tlačítko mléčné pěny<sup>+</sup>. Stroj začne automaticky vydávat mléko (90-140 ml). Po dokončení se stroj vrátí do fáze nečinnosti.

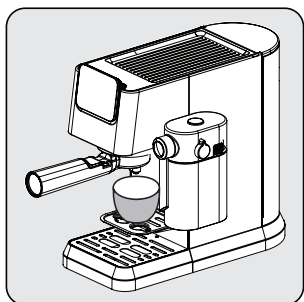


Vždy se ujistěte, že je nádrž na mléko správně umístěna. Pokud není dobře nasazen; tlačítka cappuccina, latte a mléčné pěny se vypnou a funkce nebudou k dispozici. Bzučák to signalizuje 3 pípnutími.

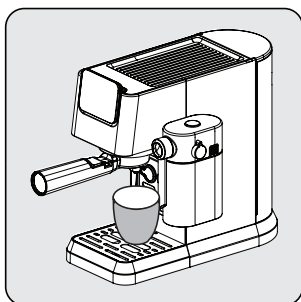


Odstranění nádržky na mléko nemá žádný vliv na přípravu kávy, lze používat programy pro jedno/dvojitě espresso.

### 4.5 Nastavení výšky pro různé velikosti sklenic



Pro menší šálky lze použít zásobník na šálky (3).



V případě šálků průměrné velikosti umístěte šálek nad odkapávací misku (6) do normálně vložené polohy.



Pokud je odkapávací mísa odstraněna pro větší šálky, měla by se do přístroje vrátit hned po dokončení přípravy nápoje. Pokud se odkapávací miska po přípravě nápoje nevloží zpět, může se stát, že se voda dostane do základny a bude třeba ji ručně vyčistit suchým hadříkem.



## 5 Provoz a používání

### 5.1 Nastavení objemu kávy/mléka

#### Nastavení množství pro jednoduché a dvojité espresso

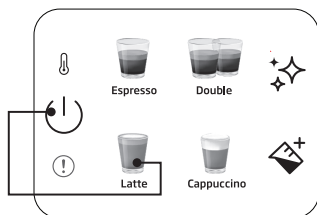
1. Vyberte funkci, která se má přeprogramovat. Stiskněte příslušné tlačítko (jednoduché nebo dvojité espresso) a podržte jej stisknuté. Uslyšíte jedno pípnutí. [programovatelné množství jednoho/dvojitého espressa (min: 30/60 ml, max.: 50/100ml)]
2. Tlačítko pusťte až po spuštění požadovaného množství kávy. Uslyšíte dvě pípnutí. Toto množství je nyní uloženo v rámci příslušné funkce.

#### Nastavení množství pro Latte, Cappuccino a mléčnou pěnu

1. Vyberte funkci, která se má přeprogramovat. Stiskněte příslušné tlačítko (cappuccino, latte nebo mléko) a podržte jej stisknuté. Uslyšíte jedno pípnutí. (Nejkratší doba vaření mléka je 10 s, nejdelší 45 s.)
2. Tlačítko pusťte až po uplynutí požadované doby vaření mléka. Uslyšíte dvě pípnutí. Tento čas se nyní uloží pod příslušnou funkci.
3. Chcete-li změnit množství černé kávy; po dokončení vydávání mléka stiskněte a podržte ikonu vybraného nápoje, dokud se nepropustí požadované množství.

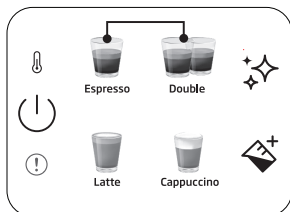


Upravená nastavení nápoje se uloží do paměti zařízení pro další použití, dokud se znovu nevy nulují nebo nezmění.



#### Obnovení výchozích/továrních nastavení jednotlivých nápojů:

Stisknutím a podržením libovolného tlačítka nápoje a tlačítka napájení současně na více než 3 sekundy vynulujete zvolené množství nápoje.



#### Obnovení výchozích/výrobních nastavení všech nápojů:


Stisknutím a podržením tlačítek single a double espresso spolu na více než 3 sekundy vynulujete množství všech nápojů.



Pohotovostní doba: Stroj se automaticky vypne po 29 minutách bez jakéhokoli provozu (nebo po skončení práce).

## 6 Čištění


### 6.1 Čištění nádrže na mléko

Nalijte vodu do nádržky na mléko po úroveň MAX a stiskněte tlačítko pro napěnění mléka . Po dokončení vyjměte součásti nádrže na mléko (9) (11) a očistěte je pod čistou vodou.



- Po každém použití nádržky na mléko vyčistěte, abyste zabránili vzniku usazenin mléka.




### 6.2 Funkce čištění/oplachování


K čištění varné hlavy umístěte pod varnou hlavu nádobu a stiskněte tlačítko čištění . Čištění se dokončí do 16 sekund a zařízení bude připraveno k použití.

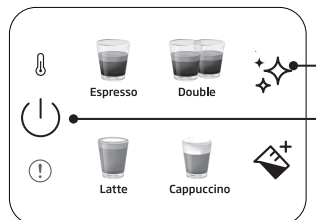


- Pokud zařízení nepoužíváte déle než 5 po sobě následujících dní, vypláchněte a vypusťte nádrž na vodu.
- Odkapávací misku a její mřížku (6) (4) lze čistit ručně pod čistou vodou.
- Nevkládejte portafiltr do myčky nádobí.

### 6.3 Funkce odstraňování vodního kamene

Když je třeba odstranit vodní kámen, ikona odstranění vodního kamene  se rozsvítí oranžově. Pod varnou hlavu umístěte nádobu o objemu 1,5l. Nalijte vodu do nádrže na vodu po úroveň MAX a smíchejte ji s odstraňovačem vodního kamene nebo kyselinou citrónovou. Stiskněte a podržte tlačítko pro odstraňování vodního kamene  déle než 3 sekundy a uslyšíte dva zvukové signály, které znamenají, že byl zahájen první cyklus odstraňování vodního kamene. První cyklus trvá přibližně 15 minut. Po dokončení se ikona pro odstranění vodního kamene změní na bílou .

Vyprázdňte a vyměňte nádobu pod varnou hlavou. Vyčistěte a naplňte nádrž na vodu čistou vodou až po úroveň MAX. Stiskněte a podržte tlačítko pro odstraňování vodního kamene  déle než 3 sekundy a uslyšíte dva zvukové signály, které znamenají, že byl zahájen Sekundy cyklus odstraňování vodního kamene. Druhý cyklus trvá přibližně 6 minut. Po dokončení se stroj vrátí do fáze volnoběhu a bude připraven k použití.



#### Obnovení stavu upozornění na odstranění vodního kamene:

Stiskněte a podržte současně tlačítko napájení a tlačítko pro odstranění vodního kamene na více než 3 sekundy.



- Odvápňení se vyžaduje po předdefinovaném cyklu vaření.
- Obnovení stavu upozornění na odstranění vodního kamene se nedoporučuje k udržení nejlepšího stavu spotřebiče.

## 7 Řešení problémů

### 7.1 Problémy, možné příčiny a nápravná opatření

Problém	Příčina	Odstranění
<b>Káva stéká po straně portafiltru.</b>	Portafiltr (2) není správně vložen.	Otočte rukojeť portafiltru (2) více doprava.
	Okraj síta není bez mleté kávy	Vypněte kávovar, vyjměte držák portafiltru (2) a vyčistěte okraje síta.
	Síto uvnitř varné hlavy je znečištěno.	Vyčistěte varnou hlavu vlhkým hadříkem a spusťte funkci čištění bez nasazení portafiltru.
<b>Přes portafiltr protéká velmi málo kávy nebo vůbec žádná káva.</b>	V nádrži není voda.	Naplňte nádržku vodou.
	Síto uvnitř varné hlavy je zablokováno.	Vařte vodu přes sítko bez vloženého portafiltru (2). Pokud voda neproniká, odšroubujte sítko, vyčistěte jej a vyměňte.
	Síto je zablokováno.	Náprava: Vyčistěte sítko, vložte jej do portafiltru (2) a přečerpajte vodu bez kávy. Pokud přes sítko neprochází voda, zavolejte do zákaznického servisu a objednejte si náhradní sítko.
<b>Espresso se vaří jen po kapkách.</b>	Kávový prášek je příliš jemný nebo příliš pevně zatlačený.	Kávový prášek netlučte tak silně. Použijte hrubší mletou kávu.
	Stroj je zablokovaný vápenatými usazeninami.	Odvápňte zařízení. Viz strana 15.
<b>Espresso se vaří příliš rychle.</b>	Mletá káva je příliš hrubá.	Použijte jemnější mletí.
	V sítu není dostatek kávy.	Použijte více mleté kávy.
<b>Není pěna.</b>	Káva je stará nebo příliš suchá.	Používejte čerstvou kávu.
	Káva není dostatečně silně zatlačená. Voda se přes kávu protlačuje příliš rychle.	Pevněji utlačte kávový prášek. Použijte jemnější mletí.
	Příliš hrubá káva.	K dosažení jemnějšího a konzistentnějšího mletí použijte kónický mlýnek.
	Kávová směs nevhodná pro přípravu espresso kávy.	Změňte značku espressa.
<b>Nedostatek pěny při napěnění mléka.</b>	Mléko není čerstvé.	Používejte čerstvé mléko.
	Mléko není vhodné.	Zkontrolujte, zda je mléko vhodné k napěnění.
	Mléko bylo od začátku příliš teplé.	Mléko používejte přímo z chladničky (34 °F).
	Nedostatek mléka k napěnění.	Použijte více studeného mléka.
	Otvor pro přívod mléka je zablokovaný.	Vyčistěte otvor pro přívod mléka.

# Najskôr si prečítajte tento návod na použitie, prosím!

Vážení zákazníci,

Ďakujeme Vám, že ste si zvolili tento spotrebič Beko. Dúfame, že z vášho produktu, ktorý bol vyrobený pomocou vysoko kvalitnej a najmodernejšej technológie, získate najlepšie výsledky. Pred použitím zariadenia si pozorne prečítajte celú používateľskú príručku a všetky ďalšie sprievodné dokumenty a uschovajte ich ako referenciu pre budúce použitie. Ak produkt odovzdáte niekomu inému, odovzdajte mu tiež návod na použitie. Berte do úvahy všetky upozornenia a informácie uvedené v používateľskej príručke.

## Vysvetlenie symbolov

V rôznych častiach tohto návodu sa používajú nasledovné symboly:



Dôležité informácie alebo užitočné rady o použití.



**NEBEZPEČENSTVO:** Toto upozornenie upozorňuje na nebezpečné situácie voči životu a majetku.



**VAROVANIE:** Toto upozornenie označuje potenciálne nebezpečné situácie.



**VÝSTRAHA:** Toto upozornenie upozorňuje na možnosť vzniku materiálnych škôd.



Materiály sú vhodné na styk s potravinami



**RECYKLOVANÝ A  
RECYKLOVATEĽNÝ  
PAPIER**

Táto časť obsahuje bezpečnostné pokyny, ktoré pomôžu zabezpečiť ochranu pred rizikami zranenia osôb a pred materiálnymi škodami. Nedodržaním týchto pokynov strácate platnosť poskytnutej záruky.

## 1.1 Nebezpečenstvo zásahu elektrickým prúdom

Nebezpečenstvo ohrozenia života elektrickým prúdom!

Kontakt s vodičmi alebo komponentmi pod napätím môže spôsobiť vážne zranenie alebo dokonca smrť!

Pre zabránenie úrazu elektrickým prúdom, dodržujte nasledujúce bezpečnostné opatrenia:

- Nepoužívajte kávovar, ak je poškodený pripojovací kábel alebo zástrčka.
- Pred opätovným použitím kávovaru musí sieťový kábel vymeniť kvalifikovaný elektrikár.
- Neotvárajte kryt kávovaru. Nebezpečenstvo úrazu

elektrickým prúdom pri dotykoch pod napätím a/alebo pri zmene elektrickej a mechanickej konfigurácie.

## 1.2 Nebezpečenstvo popálenia alebo obarenia

Časti kávovaru sa môžu počas prevádzky veľmi zahriať! Vydávané nápoje a unikajúca para sú veľmi horúce!

Dodržiavajte nasledujúce bezpečnostné opatrenia, aby ste zabránili spáleniu / obareniu seba a / alebo ostatných:

- Nedotýkajte sa ani jedného z kovových špičiek na oboch výtokoch kávy.
- Zabráňte priamemu kontaktu pokožky s unikajúcou parou alebo s horúcim oplachovaním, čistením a odstraňovaním vodného kameňa.

## 1.3 Základné bezpečnostné opatrenia

Pre bezpečné zaobchádzanie s kávovarom dodržiavajte

nasledujúce bezpečnostné opatrenia:

- Nikdy sa nehrajte s obalovým materiálom. Nebezpečenstvo udusenia sa!
- Pred použitím skontrolujte kávovar, či nemá viditeľné známky poškodenia. Nepoužívajte poškodený kávovar.
- Ak je napájací kábel poškodený, musí byť vymenený výrobcom, technikom alebo podobne kvalifikovanou osobou, aby nedošlo k úrazu.
- Opravy kávovaru smie vykonávať iba autorizovaný odborník alebo zákaznícky servis. Neodborné opravy môžu pre používateľa predstavovať značné nebezpečenstvo. Tiež zanikajú záruky.
- Opravy kávovaru počas záručnej doby môžu vykonávať iba servisné strediská autorizované výrobcom, v opačnom prípade zaniká záruka v prípade následného poškodenia.
- Poškodené diely sa môžu vymeniť iba za originálne náhradné diely. Len originálne náhradné diely zaručujú splnenie bezpečnostných požiadaviek.
- Spotrebiče môžu používať osoby so zníženými fyzickými, zmyslovými alebo duševnými schopnosťami alebo s nedostatočnými skúsenosťami a znalosťami, ak boli pod dohľadom alebo boli poučené o používaní spotrebiča bezpečným spôsobom a rozumejú príslušným nebezpečenstvám.
- Tento spotrebič môžu používať deti vo veku od 8 rokov, pokiaľ sú pod dohľadom alebo im boli dané inštrukcie týkajúce sa použitia prístroja osobou zodpovednou za ich bezpečnosť. Čistenie a údržbu nesmú vykonávať deti, ak nie sú staršie ako 8 rokov a nie sú pod dohľadom. Udržujte prístroj a prívodný kábel mimo dosahu detí mladších ako 8 rokov.

## Dôležité pokyny pre bezpečnosť a životné prostredie

- Deti sa so spotrebičom nesmú hrať.
- Toto zariadenie je určené pre použitie v domácnosti a v podobných podmienkach, ako sú napríklad:
  - Kuchynské miestnosti pre personál v obchodoch, kanceláriách a v iných pracovných prostrediach;
  - farmové domy;
  - pre potreby zákazníkov v hoteloch, motelloch a iných typoch bytových zariadení;
  - ubytovacie zariadenia typu bed and breakfast;
- Chráňte kávovar pred poveternostnými vplyvmi, ako je dážď, mráz a priame slnečné žiarenie. Nepoužívajte kávovar vonku.
- Spotrebič nesmie byť ponorený.
- Kávovar alebo príslušenstvo nečistite v umývačke riadu.
- Do vody nenalievajte žiadne iné tekutiny, ani do nej nedávajte potraviny.
- Nenapĺňajte nádrž na vodu za značku maxima (dolný okraj plniaceho otvoru) (1,1 litra).
- Stroj obsluhujte iba vtedy, keď je namontovaná nádoba na odpad, odkvapkávacia misa a mriežka na pohár.
- Neťahajte za kábel, aby ste vytiahli zástrčku zo zásuvky, ani sa ho nedotýkajte mokrymi rukami.
- Kávovar nedržte za sieťový kábel.
- Udržujte prístroj a prívodný kábel mimo dosahu detí mladších ako 8 rokov.
- Pred vybratím nádržky na vodu, aby ste ju naplnili alebo vyprázdнили, zariadenie vždy vypnite.
- Prístroj vždy umiestnite na rovnú, stabilnú, tepelne odolnú pracovnú plochu.
- Pred varením sa musí portafilter čo najtesnejšie otočiť doprava, aby sa zabránilo uvoľneniu portafiltra v dôsledku vysokého tlaku.
- Pri nesprávnom používaní

môže dôjsť k vážnemu poraneniu. Na ochranu pred požiarom, úrazom elektrickým prúdom alebo poranením osôb neponárajte kábel, elektrické zástrčky, vykurovaciu základňu do vody alebo iných kvapalín. Nepoužívajte žiadny spotrebič s poškodeným káblom alebo zástrčkou, po poruche spotrebiča alebo po jeho páde či akomkoľvek poškodení. Obráťte sa na výrobcu alebo jeho zákaznícky servis.

- Povrch vykurovacieho telesa je po použití vystavený zvyškovému teplu, nedotýkajte sa horúceho povrchu, nepoužívajte rukoväť ani tlačidlo. Počas používania a po ňom vždy držte ruky mimo nádoby a stroja, aby ste znížili riziko poranenia osôb.
- Kávovar nesmie byť pri používaní umiestnený v skrinke.

## 1.4 Bežný účel použitia

Ručný kávovar na espresso Beko je určený na použitie v domácnostiach a podobných aplikáciách, napríklad v kuchyniach pre zamestnancov, obchodoch, kanceláriách a podobných oblastiach alebo zákazníkmi v penziónoch, hoteloch, motelloch a iných obytných zariadeniach. Tento kávovar nie je určený na komerčné použitie. Stroj je určený iba na prípravu kávy a na ohrev mlieka a vody. Každé iné použitie, ako bolo uvedené vyššie, sa považuje za nesprávne použitie.

### Nebezpečenstvo spôsobené nesprávnym použitím!

Ak sa kávovar nepoužíva na určený účel alebo sa používa iným spôsobom, môže byť zdrojom nebezpečenstva alebo sa ním môže stať.



- Kávovar sa preto môže používať iba na určený účel.
- Dodržiavajte postupy uvedené v tejto používateľskej príručke.

Žiadne nároky akéhokoľvek druhu, ktoré vzniknú v dôsledku používania kávovaru na iný ako určený účel, nebudú akceptované za škody alebo zranenia. Riziko musí znášať výlučne vlastník stroja.

## 1.5 Obmedzenie zodpovednosti

Všetky technické informácie, údaje a pokyny o inštalácii, prevádzke a údržbe kávovaru uvedené v tomto návode na obsluhu predstavujú aktuálny stav v čase tlače a vychádzajú z najlepších možných poznatkov získaných skúsenosťami a know-how.

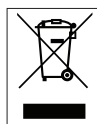
Z informácií, ilustrácií a popisov v tejto používateľskej príručke nie je možné odvodiť žiadne nároky.

Výrobca nezodpovedá za škody alebo zranenia v dôsledku nedodržania návodu na použitie, použitia na iné ako určené účely, neodborných opráv, neoprávnených úprav alebo použitia neschválených náhradných dielov.



## 1.6 Súlad so smernicou WEEE a Odstránenie odpadov výrobku:

Tento výrobok spĺňa požiadavky smernice WEEE EU (2012/19/EU). Tento výrobok je označený klasifikačným symbolom pre odpad z elektrických a elektronických zariadení (WEEE).



Tento symbol znamená, že na konci svojej životnosti sa tento výrobok nesmie likvidovať spolu s ostatným domovým odpadom. Použité zariadenie sa musí odnieť na oficiálne zberné miesto na recykláciu elektrických a elektronických zariadení. Tieto zberné miesta nájdete na miestnom úrade alebo u predajcu, kde ste výrobok zakúpili. Každá domácnosť plní dôležitú úlohu pri zhodnocovaní a recyklácii starých spotrebičov. Správna likvidácia použitého spotrebiča pomáha predchádzať možným negatívnym následkom pre životné prostredie a ľudské zdravie.

## 1.7 Súlad so smernicou RoHS

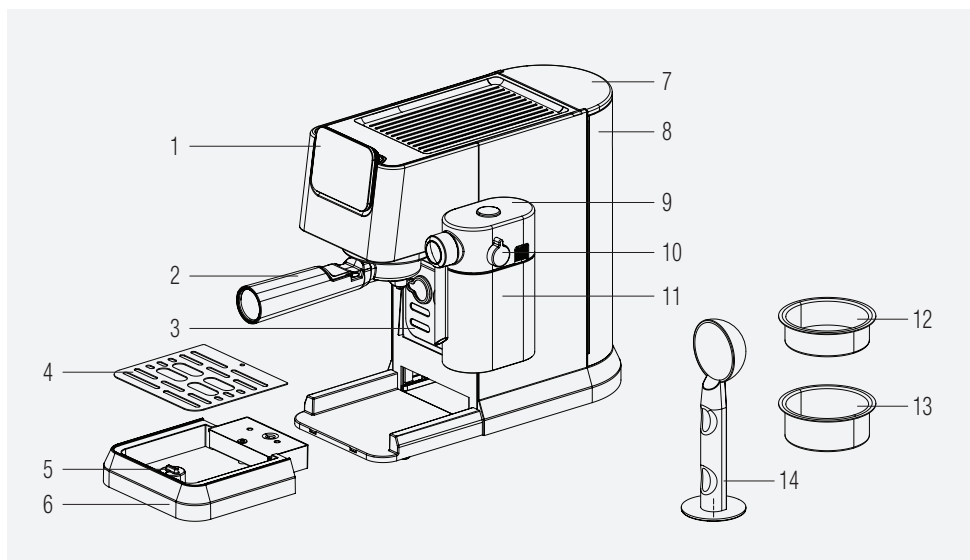
Výrobok, ktorý ste si zakúpili, je v súlade so smernicou EU RoHS (2011/65/EU). Neobsahuje škodlivé a zakázané látky uvedené v smernici.

## 1.8 Informácie o balení.



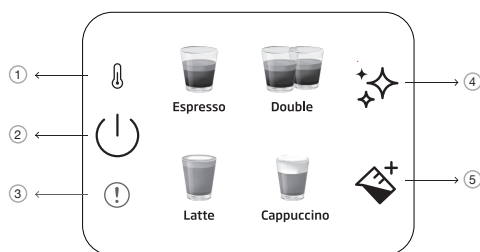
Obalové materiály produktu sú vyrobené z recyklovateľných materiálov v súlade s našimi národnými predpismi o životnom prostredí. Nevyhadzujte obalové materiály spolu s domácim alebo iným odpadom. Vezmite ich do zberných miest pre obalové materiály určené miestnymi orgánmi.

## 2 Prehľad a ovládací panel



1. Kontrolný panel
2. Portafilter
3. Držiak pohára
4. Mriežka odkvapkávacej misky
5. Plávajúce zariadenie
6. Odkvapkávacia miska
7. Veko nádrže na vodu
8. Nádrž na vodu
9. Kryt nádrže na mlieko
10. Gombík na nastavenie mliečnej peny
11. Nádrž na mlieko
12. Jeden kôš na espresso
13. Dvojitý kôš na espresso
14. Naberačka na kávu / tamper

### 2.1 Ovládací panel



1		Indikátor predhrievania
2		Tlačidlo zapnutia/vypnutia a zrušenia
3		Generálna porucha
4		Tlačidlo na čistenie a odstraňovanie vodného kameňa
5		Tlačidlo na mlieko

Všetky deklarované hodnoty na produkte a na vytlačенých letáčkoch sú zachytávané po laboratórnych meraniach vykonaných podľa súvisiacich noriem. Tieto hodnoty sa môžu líšiť v závislosti od použitia a od okolitých podmienok.

## 3 Technické údaje

**Napájanie:** 220-240 V~, 50-60 Hz

**Napájanie:** 1376 - 1628 W

Práva na technické a dizajnové zmeny vyhradené.

Všetky deklarované hodnoty na výrobku a v tlačенých letákoch boli získané z laboratórnych meraní vykonaných podľa príslušných noriem. Tieto hodnoty sa môžu líšiť v závislosti použitia a od okolitých podmienok.

### **Rozmery produktu:**

20,5 cm (šírka) x 30,8 cm (výška) x 42,3 cm (hĺbka)

[Šírka bez pohára na mlieko: 14,4 cm

Hĺbka bez portafiltera: 32,5 cm]

**Hmotnosť:** 3,85± 0,5 kg

**Dĺžka kábla:** > 90 cm

### **Kapacita koša**

**Jednolôžkový:** 10g

**Dvojitá** 17g

**Objem odkvapkávacej misky:** Do 0,2 l

**Kapacita nádrže na vodu:** 1,1±5% l

**Doba predohrevu stroja:** < 55 s

### **Objem kávy (predvolené nastavenie):**

Espresso: 30-55 ml

Dvojitá 65-95 ml

Latte: 170-280 ml mlieka, 30-55 ml kávy

Cappuccino: 114-190 ml mlieka, 30-55 ml kávy



Toto tlačidlo " ✨ " sa rozsvieti na oranžovo, keď stroj potrebuje odstrániť vodný kameň.

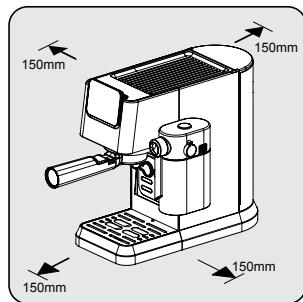


Ak NTC nie je pripojený k napájacej doske, bude v tom čase svietiť červená kontrolka indikátora chyby a po stlačení akéhokoľvek tlačidla nebude reagovať.

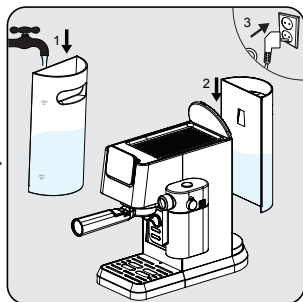
## 4 Príprava

### 4.1 Prvé použitie

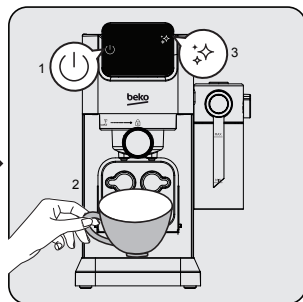
**i** Zo spotrebiča odstráňte všetky ochranné fólie, nálepky a iný obalový materiál.



Vyberte si bezpečný a stabilný povrch s ľahko dostupným zdrojom energie a umožnite minimálnu vzdialenosť od strán strojov.

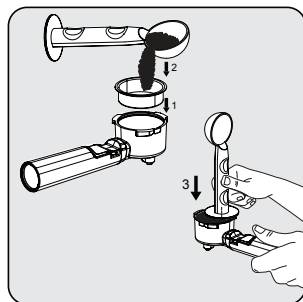


Nádržku na vodu naplňte čerstvou, studenou čistou vodou minimálne po značku MIN a maximálne po značku MAX. (Nepriďavajte horúcu vodu) Potom vložte nádrž do stroja a druhý koniec napájacieho kábla do zásuvky s vhodným napätím.

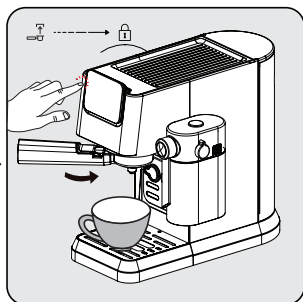


Na ovládacom paneli sa rozsvieti tlačidlo zapnutia/vypnutia "⏻". Stlačením tohto tlačidla zariadenie zapnete. Položte šálku priamo pod varnú hlavu a stlačte tlačidlo čistenia "✦✦✦". Zariadenie vydá jeden zvukový signál a začne čistiť. Po dokončení bude zariadenie pripravené na použitie.

### 4.2 Varenie jednoduchého / dvojitého espresso

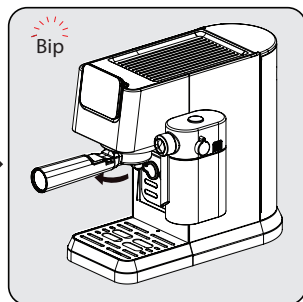


Do držiaka filtra vložte jednoduchý alebo dvojité kôš na espresso. Čerstvo zomletú kávu nasypete do filtra pomocou odmerky (približne 8-15 g) a pomocou lyžičky vyrovnajte prebytočný prášok. Ubijacím koncom lyžice naneste približne 15 kg, aby ste prášok rovnomerne a pevne zatlačili.



Nainštalujte portafilter pod výpusť kávy. Zarovnajete ho so symbolom odomknutia, zasuňte ho do drážky a pomaly ho otočte doprava k symbolu uzamknutia.

- Šálku na kávu umiestnite priamo pod výpusť kávy.
- Stlačte jednoduché alebo dvojité tlačidlo a ozve sa pípnutie.
- Vybraná káva začne blikať a začne sa príprava nápoja.



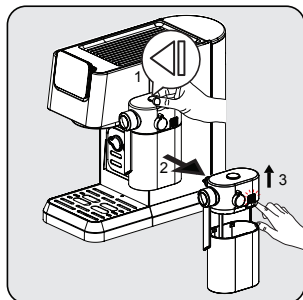
Po dokončení varenia kávovar vydá jeden zvukový signál a prejde do režimu nečinnosti. Vyberte portafilter v smere hodinových ručičiek. Po každom použití vyčistíte portafilter a vysušte ho.

## 4 Príprava

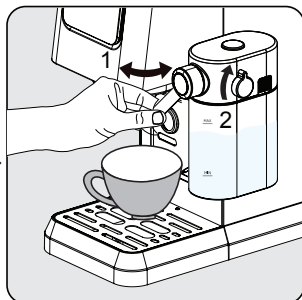
- Po zaváraní počkajte 5 sekúnd a potom vyberte filter. To pomôže ľahko odstrániť pohyblivý filter.
- Kávový prášok sa nemôže použiť po sparení.
- Pomocou predĺženia rukoväte vyklopte zvyšky kávy a zároveň udrzte kôš na mieste.
- Ak chcete zabezpečiť optimálnu teplotu espressa, odporúčame predhrievať šálky.
- Ak chcete z kávových zŕn vyťažiť čo najplnšiu chuť, odporúčame pri každej príprave espressa používať čerstvo zomleté celé kávové zrná.
- Okrem použitej kávy pomôže k dokonalému espressu aj použitie čerstvej studenej vody bez chlóru, zápachu a iných nečistôt.
- Mleté espresso skladujte vo vzduchotesnej nádobe na chladnom a suchom mieste, aby si zachovalo svoju chuť. Zemina by sa nemala uchovávať dlhší čas, pretože sa zníži jej chuť.

### 4.3 varenie cappuccina a latte

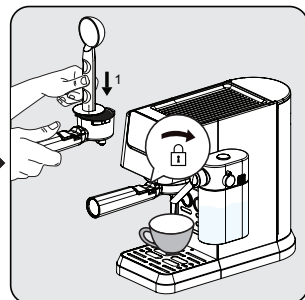
Cappuccino alebo Latte sú kombinácie jednej dávky espressa s rôznym množstvom horúceho mlieka a mliečnej peny.



Držiak nádržku na mlieko jednou rukou, stlačte tlačidlo na hornej strane veka nádržky na mlieko, aby ste nádržku na mlieko vybrali smerom doprava. Stlačením uvoľňovacieho tlačidla na pravej strane telesa veka odstráňte veko nádržky na mlieko.



Do nádržky na mlieko pridajte mlieko. Mlieko by malo byť vždy pod maximálnou hranicou. Odporúčaná teplota mlieka je 4-8 °C (~ 40-46 °F). Nasadte veko nádržky na mlieko a pripojte nádržku na mlieko k spotrebiču, musí počutiteľne zacvaknúť na miesto. Uistite sa, že nádržka na mlieko správne sedí. Nastavte uhol výstupu mliečnej peny nad šálkou. Hustotu mliečnej peny nastavte pomocou gombíka podľa svojich preferencií.

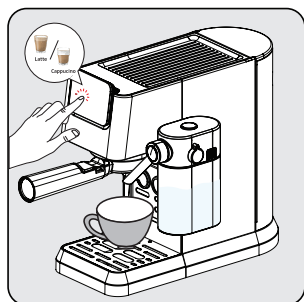


Do portafiltera vložte jeden kôš. Naplňte filter jemne mletým espresso práškom (približne 8-15g). Prášok stlačte plochou stranou kávovej lyžičky. Nainštalujte portafilter pod výstup kávy. Zarovnajete ho so symbolom odomknutia, zasuníte ho do drážky a pomaly ho otočíte doprava k symbolu uzamknutia.

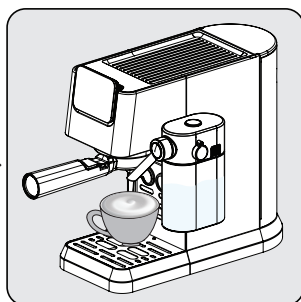


Tento prístroj umožňuje používateľovi nastaviť pomer peny otáčaním gombíka od Max po Min, aby si vychutnal požadovanú penu. Odporúčané nastavenie pre Latte je min-mid, Cappuccino je mid-max. Hustotu mliečnej peny upravte podľa svojich preferencií.

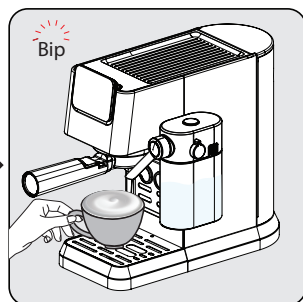
## 4 Príprava



Stlačte tlačidlo "cappuccino alebo latte", potom zaznie jedno pípnutie. Vybrané tlačidlo nápojov začne blikať a varenie sa spustí.



Čerpadlo bude pracovať s prestávkami, keď sa mliečna pena prvýkrát dostane do šálky. Keď je mliečna pena pripravená, zariadenie automaticky začne variť kávu.



Keď prístroj raz pípane, nápoje sú pripravené, vychutnajte si ich!  
- Zariadenie sa vráti do režimu nečinnosti.

### 4.4 Varenie / pridávanie mliečnej peny

Naplňte nádržku na mlieko a nastavte gombík do správnej polohy. Stlačte tlačidlo mliečnej peny "☒<sup>+</sup>". Stroj automaticky spustí dávkovanie mlieka (90-140 ml). Po dokončení sa stroj vráti do fázy nečinnosti.

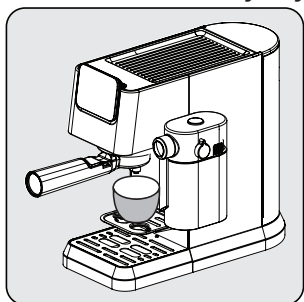


Vždy sa uistite, že je nádrž na mlieko správne umiestnená. Ak nie je dobre nasadený; tlačidlá cappuccina, latte a mliečnej peny sa vypnú a funkcie nebudú k dispozícii. Bzučiak to signalizuje 3 pípnutiami.

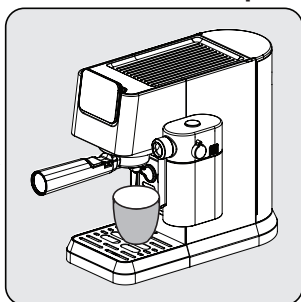


Odstránenie nádržky na mlieko nemá žiadny vplyv na prípravu kávy, je možné používať programy pre jedno/dvojité espresso.

### 4.5 Nastavenie výšky pre rôzne veľkosti pohárov



Pre menšie šálky možno použiť zásobník na šálky (3).



V prípade šálok priemernej veľkosti umiestnite šálku nad odkvapkavicu misku (6) do normálne vlozenej polohy.



Ak je odkvapkavacia miska odstránená pre väčšie šálky, mala by sa do prístroja vrátiť hneď po dokončení prípravy nápoja. Ak sa odkvapkavacia miska po príprave nápoja nevráti späť, môže sa stať, že sa voda dostane do základne a bude potrebné ju ručne vyčistiť suchou handričkou.

## 5 Prevádzka a používanie

### 5.1 Nastavenie objemu kávy/mlieka

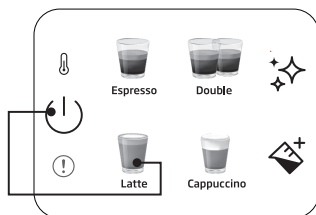
#### Nastavenie množstva pre jednoduché a dvojité espresso

1. Vyberte funkciu, ktorá sa má preprogramovať. Stlačte príslušné tlačidlo (jednoduché alebo dvojité espresso) a podržte ho stlačené. Budete počuť jedno pípnutie. [programovateľné množstvo jedného/dvojitého espressa (min: 30/60 ml, max: 50/100ml)]
2. Tlačidlo pustite až po preplnení požadovaného množstva kávy. Budete počuť dve pípnutia. Táto suma je teraz uložená v rámci príslušnej funkcie.

#### Nastavenie množstva pre Latte, Cappuccino a mliečnu penu

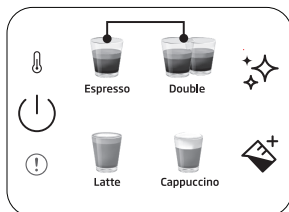
1. Vyberte funkciu, ktorá sa má preprogramovať. Stlačte príslušné tlačidlo (cappuccino, latte alebo mlieko) a podržte ho stlačené. Budete počuť jedno pípnutie. (Najkratší čas varenia mlieka je 10 s, najdlhší 45 s.)
2. Tlačidlo pustite až po uplynutí požadovaného času varenia mlieka. Budete počuť dve pípnutia. Tento čas sa teraz uloží pod príslušnú funkciu.
3. Ak chcete zmeniť množstvo čiernej kávy; po dokončení vydávania mlieka stlačte a podržte ikonu vybraného nápoja, kým sa neprepustí požadované množstvo.

**i** Upravené nastavenia nápoja sa uložia do pamäte zariadenia na ďalšie použitie, kým sa znova nevy nulujú alebo nezmenia.



#### Obnovenie predvolených/továrenských nastavení jednotlivých nápojov:

Stlačením a podržaním ľubovoľného tlačidla nápoja a tlačidla napájania súčasne na viac ako 3 sekundy vynulujete zvolené množstvo nápoja.




#### Obnovenie predvolených/výrobných nastavení všetkých nápojov:

Stlačením a podržaním tlačidiel single a double espresso spolu na viac ako 3 sekundy vynulujete množstvo všetkých nápojov.

**i** Pohotovostný čas: Stroj sa automaticky vypne po 29 minútach bez akejkoľvek prevádzky (alebo po skončení práce).

## 6 Čistenie


### 6.1 Čistenie nádrže na mlieko

Nalejte vodu do nádržky na mlieko po úroveň MAX a stlačte tlačidlo na napenenie mlieka . Po dokončení vyberte súčasti nádrže na mlieko (9) (11) a očistite ich pod čistou vodou.



- Po každom použití nádržku na mlieko vyčistite, aby ste zabránili vzniku zvyškov mlieka.




### 6.2 Funkcia čistenia/oplachovania


Na čistenie varnej hlavy umiestnite pod varnú hlavu nádobu a stlačte tlačidlo čistenia . Čistenie sa dokončí do 16 sekúnd a zariadenie bude pripravené na použitie.

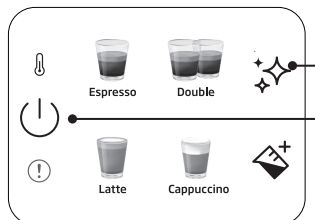


- Ak zariadenie nepoužívate dlhšie ako 5 po sebe nasledujúcich dní, vypláchnite a vypustite nádrž na vodu.
- Odvapkávaciu misku a jej mriežku (6) (4) možno čistiť ručne pod čistou vodou.
- Nevkladajte portafilter do umývačky riadu.

### 6.3 Funkcia odstraňovania vodného kameňa

Keď je potrebné odstrániť vodný kameň, ikona odstránenia vodného kameňa  sa rozsvieti na oranžovo. Pod varnú hlavu umiestnite nádobu s objemom 1,5 l. Nalejte vodu do nádrže na vodu po úroveň MAX a zmiešajte ju s odstraňovačom vodného kameňa alebo kyselinou citrónovou. Stlačte a podržte tlačidlo na odstraňovanie vodného kameňa  na viac ako 3 sekundy a budete počuť dva zvukové signály, ktoré znamenajú, že sa začal prvý cyklus odstraňovania vodného kameňa. Prvý cyklus trvá približne 15 minút. Po dokončení sa ikona odstránenia vodného kameňa zmení na bielu .

Vyprázdnite a vymeňte nádobu pod varnou hlavou. Vyčistite a naplňte nádrž na vodu čistou vodou až po úroveň MAX. Stlačte a podržte tlačidlo na odstraňovanie vodného kameňa  na viac ako 3 sekundy a budete počuť dva zvukové signály, čo znamená, že sa začal druhý cyklus odstraňovania vodného kameňa. Druhý cyklus trvá približne 6 minút. Po dokončení sa stroj vráti do fázy voľnobehu a bude pripravený na použitie.



#### Obnovenie stavu upozornenia na odstránenie vodného kameňa:

Stlačte a podržte súčasne tlačidlo napájania a tlačidlo na odstránenie vodného kameňa na viac ako 3 sekundy.



- Odvápnenie sa vyžaduje po preddefinovanom cykle varenia.
- Obnovenie stavu upozornenia na odstránenie vodného kameňa sa neodporúča na udržanie najlepšieho stavu spotrebiča.



## 7 Riešenie problémov

### 7.1 Problémy, možné príčiny a nápravné opatrenia

Problém	Príčina	Náprava
<b>Káva steká po strane portafiltru.</b>	Portafilter (2) nie je správne vložený.	Otočte rukoväťou portafiltru (2) viac doprava.
	Okraj sita nie je bez mletej kávy	Vypnite kávovar, vyberte držiak portafiltru (2) a vyčistite ho okraje sita.
	Sito vo vnútri varnej hlavy je znečistené.	Vyčistite varnú hlavu vlhkou handričkou a spustite funkciu čistenia bez nasadenia portafiltru.
<b>Cez portafilter preteká veľmi málo kávy alebo vôbec žiadna káva.</b>	V nádrži nie je voda.	Naplňte nádrž vodou.
	Sito vo vnútri varnej hlavy je zablokované.	Varte vodu cez sitko bez vloženého portafiltru (2). Ak voda nepreniká, odskrutkujte sitko, vyčistite ho a vymeňte.
	Sito je zablokované.	Oprava: Vyčistite sitko, vložte ho do portafiltru (2) a prečerpajte vodu bez kávy. Ak cez sito neprechádza voda, zavolajte do zákaznickeho servisu a objednajte si náhradné sito.
<b>Espresso sa varí len po kvapkách.</b>	Kávová usadenina je príliš jemná alebo príliš pevne zabalená.	Kávovú usadeninu netlačte tak silno. Použite hrubšie mletie kávy.
	Stroj je zablokovaný vápenatými usadeninami.	Odstráňte vodný kameň zo spotrebiča. Pozri stranu 15.
<b>Espresso sa varí príliš rýchlo.</b>	Mletá káva je príliš hrubá.	Použite jemnejšie mletie.
	V sitku nie je dostatok kávy.	Používajte viac mletej kávy.
<b>Žiadna pena.</b>	Káva je stará alebo príliš suchá.	Používajte čerstvú kávu.
	Káva nie je dostatočne silno zatlačená. Voda sa cez kávu pretláča príliš rýchlo.	Pevnejšie utlačte kávovú usadeninu. Použite jemnejšie mletie.
	Príliš hrubá káva.	Na dosiahnutie jemnejšieho a konzistentnejšieho mletia použite kónický mlynček.
	Kávová zmes nevhodná na prípravu kávy espresso.	Zmena značky espresso.
<b>Nedostatok peny pri napnení mlieka.</b>	Mlieko nie je čerstvé.	Používajte čerstvé mlieko.
	Mlieko nie je vhodné.	Skontrolujte, či je mlieko vhodné na napenenie.
	Mlieko bolo od začiatku príliš teplé.	Mlieko používajte priamo z chladničky (34 °C).
	Nedostatok mlieka na napenenie.	Použite viac studeného mlieka.
	Otvor na prívod mlieka je zablokovaný.	Vyčistite otvor na prívod mlieka.

## ZÁKAZNÍCKE CENTRUM BEKO

BEKO Slovakia s.r.o., Suché mýto 1, 811 03 Bratislava

Denne od 8:00 do 18:00

Pomôže vyriešiť záručné, prípadne pozáručné opravy výrobkov BEKO

Kontakt	<b>0800 171 250</b>
e-mail	<b><a href="mailto:zakaznickecentrumsk@bekosa.cz">zakaznickecentrumsk@bekosa.cz</a></b>
Objednávka opravy spotrebiča on-line	<a href="http://www.bekosk.sk">www.bekosk.sk</a>
ZÁRUKA 5 ROKOV – podmienky a registrácie on-line	<a href="http://www.bekosk.sk">www.bekosk.sk</a>

### ZÁRUČNÉ PODMIENKY SR

a) Platný a čitateľný predajný doklad, ktorý obsahuje dátum predaja, model spotrebiča a označenie predajcu oprávňuje užívateľa využiť záruku na výrobok v súlade s ustanoveniami zák. č. 40/1964 Zb. Občianskeho zákonníka, v platnom znení.

b) Ak nie je stanovené inak, je záručná doba na výrobok 24 mesiacov. Začína plynúť odo dňa prevzatia veci kupujúcim okrem prípadu, kedy je nutné uvedenie do prevádzky oprávnenou firmou. V takomto prípade začne záručná doba plynúť odo dňa uvedenia výrobku do prevádzky.

Výrobky, ktoré vyžadujú odbornú montáž/pripojenie: plynové a kombinované sporáky a varné panely, ďalej všetky spotrebiče, ktoré nie sú vybavené prívodným elektrickým káblom zakončeným vidlicou. Zapojenie spotrebiča je službou hradenou zákazníkom. Dovozca nezodpovedá za poškodenie vzniknuté chybnou inštaláciou a chybným zapojením výrobku.

c) Záruka vyplývajúca z týchto záručných podmienok môže byť uplatnená iba na území Slovenskej republiky a týka sa len a výhradne spotrebičov dovezených do SR prostredníctvom našej spoločnosti, BEKO Slovakia s.r.o., Suché mýto 1, 811 03 Bratislava, ktorá je oficiálnym zastúpením značky BEKO pre Slovenskú republiku.

d) Záruka je poskytovaná kupujúcemu (konečnému spotrebiteľovi) v súlade so zákonom č. 634/1992 Zb., o ochrane spotrebiteľa v platnom znení, na výrobok slúžiaci bežnému používaniu v domácnosti. Výrobok nie je určený k priemyslovému používaniu a poskytovaniu služieb. Spotrebiče, ktoré nie sú používané v domácnosti, nie sú predmetom záruky (hotelové a reštauračné zariadenia, školské zariadenia, upratovacie firmy, atď...)

e) Práva za zodpovednosť za závady výrobku sa uplatňujú u predávajúceho. Záručná oprava sa vzťahuje výhradne na závady, ktoré vzniknú v dobe platnosti záručnej lehoty a to výrobnou vadou. Takto vzniknuté závady je oprávnený odstrániť iba autorizovaný servis.

O odstránení závad výrobku v záručnej lehote je kupujúci oprávnený požiadať predajcu alebo **Zákaznícke centrum BEKO tel: 0800 171 250 [http://www.towdy.sk/beko/index.php?option=com\\_rsform&Itemid=3](http://www.towdy.sk/beko/index.php?option=com_rsform&Itemid=3)**.

f) Zákazník musí pri objednaní opravy nahlásiť dátum predaja, model spotrebiča, výrobné a produktové číslo, ktoré sa nachádza na výrobnom štítku každého spotrebiča. Bez nahlásenia týchto údajov nebude môcť byť požiadavka zákazníka na bezplatnú opravu vyriešená. Zákazník je ďalej povinný poskytnúť autorizovanému servisu súčinnosť potrebnú k overeniu existencie prípadne odstránenie reklamovanej závady.

g) Pri návšteve servisného technika kupujúci preukáže existenciu záruky predložením čitateľného predajného dokladu alebo certifikátu 5 rokov záruky BEKO. Po vykonaní záručnej opravy sú autorizované servisné strediská alebo predávajúci povinní vydať kupujúcemu čitateľnú kópiu opravného listu alebo doklad o uplatnení práva záruky a dobe trvania opravy. Po dobu záruky je kupujúci si povinný uschovať všetky doklady súvisiace s kúpou a servisom výrobku. Opravný list slúži k preukazovaniu práv kupujúceho, preto je vo vlastnom záujme kupujúceho si skontrolovať pred podpisom všetky údaje. Záručná lehota sa v prípadoch, kedy závada znemožnila používanie výrobku, predlžuje o dobu, kedy kupujúci uplatnil nárok na záručnú opravu u autorizovaného strediska až do dňa prevzatia opraveného výrobku.

h) Výrobok musí byť inštalovaný a používaný podľa návodu k obsluhu a platných noriem. Funkcia chladničiek, mrazničiek a iných kombinácií je zaručená pri teplote okolia od +10°C do +32°C.

i) Touto zárukou nie sú dotknuté práva kupujúceho, ktoré sa ku kúpe veci viažu podľa zvláštnych právnych predpisov.

j) Spoločnosť BEKO Slovakia s.r.o., Suché mýto 1, 811 03 Bratislava ponúka spotrebiteľom na vybrané modely **predĺženú záruku v celkovej dĺžke trvania 5 rokov**. Predmetom tejto nadštandardnej záruky je bezplatné odstraňovanie výrobných závad po dobu nasledujúcich 36 mesiacov od skončenia zákonnej dvojročnej záručnej lehoty.

Podmienkou získania certifikátu predĺženej záruky je splnenie všetkých podmienok uvedených na [www.bekosk.sk](http://www.bekosk.sk).

O odstránení závad výrobku v predĺženej záručnej lehote je kupujúci oprávnený požiadať **Zákaznícke centrum BEKO tel: 0800 171 250** [http://www.towdy.sk/beko/index.php?option=com\\_rsform&Itemid=3](http://www.towdy.sk/beko/index.php?option=com_rsform&Itemid=3).

Pri oprave v rámci predĺženej záruky je užívateľ povinný autorizovanému servisu predložiť platný certifikát predĺženej záruky a predajný doklad.

V dobe trvania predĺženej záruky bude oprávnená reklamácia riešená opravou alebo dodaním náhradného dielu. V prípade neodstrániteľnej závady zaistí dovozca priamo u zákazníka výmenu výrobku za nový. Nárok na výmenu uplatňuje zákazník po zaslaní všetkých potrebných dokladov /platný certifikát, doklad o zakúpení, vyjadrenie servisného technika/ na e-mail: [reklamacie.beko@bekosa.cz](mailto:reklamacie.beko@bekosa.cz) alebo poštou na adresu **BEKO s.r.o., Továrenská 532, 905 01 Senica**. Spotrebiteľ nemá právo v priebehu predĺženej záruky na vrátenie kúpnej čiastky. Uplatnenie práva na bezplatné odstraňovanie výrobných závad podlieha týmto uvedeným všeobecným záručným podmienkam.

#### **Právo na uplatnenie záruky zaniká ak:**

- nie je výrobok používaný v súlade s návodom
- došlo k mechanickému poškodeniu výrobku cudzím zavinením, pri nesprávnej údržbe alebo iným zanedbaním starostlivosti o výrobok
- bol na výrobku urobený neodborný zásah neoprávnenou osobou
- plynové spotrebiče alebo spotrebiče s napájaním 400V neboli uvedené do prevádzky odbornou firmou
- došlo k mechanickému poškodeniu pri preprave
- je závada spôsobená vonkajšími podmienkami, ako sú napr. poruchy v elektrickej sieti alebo vadaňá bytová inštalácia, nevhodnými prevádzkovými podmienkami, poškodenie živlom
- je výrobok vadný z dôvodu použitia neoriginálneho príslušenstva a náhradných dielov
- kuchynská linka, do ktorej je výrobok zabudovaný, nespĺňa technické parametre
- záruka sa ďalej nevzťahuje na preventívnu údržbu popísanú v návode k obsluhu, poprípade závady spôsobené nevhodnou manipuláciou, na opotrebenie vzniknuté bežným používaním, mechanické poškodenie sklenených a plastových komponentov
- záruka sa nevzťahuje na návštevu technika za účelom poradenstva, preventívna kontrola stavu spotrebiča, výmena náhradného dielu, ktorý nevyžaduje odborný zásah, výmena smeru otvárania dverí chladničky

# Prvo pročitajte ovo korisničko uputstvo!

Poštovani kupci,

Zahvaljujemo vam na odabiru ovog proizvoda kompanije Beko. Nadamo se da ćete dobiti najbolje rezultate od svog proizvoda koji je proizveden vrlo kvalitetnom i najmodernijom tehnologijom. Pažljivo pročitajte ovaj kompletan korisnički priručnik i sve ostale priložene dokumente pre korišćenja proizvoda i sačuvajte ga kao referencu za buduću upotrebu. Ako ovaj aparat predate trećem licu, priložite i ovo uputstvo za upotrebu. Sledite sva upozorenja i informacije u korisničkom priručniku.

## Objašnjenje simbola

Sledeći simboli se koriste u različitim odeljcima ovog priručnika:



Važne informacije ili korisni saveti o korišćenju.



**OPASNOST:** Ovo upozorenje na opasne situacije po život i imovinu.



**UPOZORENJE:** Ovo upozorenje ukazuje na potencijalno opasne situacije.



**OPREZ:** Ovo upozorenje ukazuje na mogućnost materijalne štete.



Materijali su pogodni za kontakt sa hranom



RECIKLIRANI  
RECIKLABILNI PAPIR

Ovaj odeljak sadrži bezbednosna uputstva koja će pomoći u pružanju zaštite od ličnih povreda i rizika od materijalnih gubitaka. Nepoštovanje ovih uputstava poništava odobrenu garanciju.

## 1.1 Opasnost od električne energije

Električna energija opasna po život!

Kontakt sa ogoljenim žicama ili komponentama može dovesti do ozbiljnih povreda pa čak i smrti! Pridržavajte se sledećih mera predostrožnosti kako biste izbegli strujne udare:

- Ne koristite aparat za kafu ako su oštećeni priključni kabl ili utikač.
- Pre ponovne upotrebe aparata za kafu, kabl za napajanje električnom energijom mora biti zamenjen novim od strane stručnog električara.
- Ne otvarajte kućište aparata za kafu. Opasnost od strujnog udara ako se direktno dodiruju priključci i/ili se promeni elektro

i mehanička konfiguracija.

## 1.2 Opasnost od opekotina ili opekline

Delovi aparata za kafu mogu postati veoma vrući tokom rada! Izlivena pića i ispuštena para su veoma vrući!

Pridržavajte se sledećih mera predostrožnosti kako biste vi i/ili drugi izbegli opekotine ili opekline:

- Ne dodirujte metalne levke ni na jednom od dva izlaza za točenje kafe.
- Izbegavajte direktan kontakt kože sa izlazećom parom ili vrućom vodom za ispiranje, čišćenje i uklanjanje kamenca.

## 1.3 Osnovne mere predostrožnosti

Pridržavajte se sledećih mera predostrožnosti kako biste osigurali bezbedno rukovanje aparatom za kafu:

- Nikada se ne igrajte sa ambalažnim materijalom. Rizik od gušenja.

- Pre upotrebe pregledajte da li aparat za kafu ima vidljivih oštećenja. Ne koristite oštećeni aparat za kafu.
- - Ako dođe do oštećenja kabla za napajanje, mora ga zameniti proizvođač ili njegov predstavnik ili slična kvalifikovana osoba da bi se izbegla opasnost.
- Popravke aparata za kafu mora da vrši samo ovlašćeno stručno lice ili servisna služba za korisnike. Nekvalifikovane popravke mogu dovesti do znatne opasnosti po korisnika. Takve popravke će, takođe, poništiti garanciju.
- Popravke aparata za kafu tokom garantnog perioda mogu obavljati samo servisni centri koje je ovlastio proizvođač, u suprotnom garancija će postati nevažeća u slučaju naknadnih oštećenja.
- Neispravni delovi se mogu zameniti samo originalnim rezervnim delovima. Samo originalni rezervni delovi garantuju da su bezbednosni uslovi ispunjeni.
- Uređaje mogu da koriste svi sa nepotpuno razvijenim telesnim, čulnim ili mentalnim sposobnostima, kao i osobe koje nemaju dovoljno potrebnog iskustva i znanja sve dok su pod nadzorom ili im se daju uputstva u pogledu bezbedne upotrebe i dok shvataju rizike koji su obuhvaćeni upotrebom proizvoda.
- Ovaj uređaj mogu koristiti deca starija od 8 godina i više ako su pod nadzorom ili su im data uputstva o bezbednoj upotrebi uređaja i ako razumeju opasnosti koje su uključene. Čišćenje i održavanje od strane korisnika ne bi trebalo da obavljaju deca osim ako su starija od 8 godina i ako su pod nadzorom. Držite aparat i kabl van dohvata dece mlađe od 8 godina.
- Deca ne smeju da se igraju uređajem.

- Ovaj uređaj je namenjen za upotrebu u domaćinstvima i sličnim objektima kao što su:
  - mala kuhinja za zaposlene u prodavnicama, kancelarijama i drugim radnim okruženjima,
  - farme;
  - od strane klijenata u hotelima, motelima i drugim okruženjima stambenog tipa;
  - ugostiteljski objekti.
- Zaštitite aparat za kafu od uticaja vremenskih prilika kao što su kiša, mraz i direktna sunčeva svetlost. Ne koristite aparat za kafu napolju.
- Aparat ne sme biti uronjen.
- Ne perite aparat za kafu ili pribor u mašini za pranje suđa.
- Ne sipajte druge tečnosti osim vode i ne stavljajte prehrambene proizvode u posudu za vodu.
- Ne puniti rezervoar za vodu preko maksimalne vrednosti (donja ivica otvora za punjenje) (1,1 litra).
- Aparat koristite isključivo kada su podešeni odeljak za otpad, posuda za kapanje i rešetka na koju se postavljaju šoljice.
- Ne povlačite kabl da biste izvadili utikač iz utičnice i ne dodirujte mokrim rukama.
- Ne držite aparat za kafu povlačenjem za kabl za napajanje.
- Držite aparat i kabl van dohvata dece mlađe od 8 godina.
- Uvek isključite aparat pre uklanjanja rezervoara za vodu kako biste ga napunili ili ispraznili.
- Jedinicu uvek postavite na ravnu, stabilnu radnu površinu otpornu na toplotu.
- Pre kuvanja, držač za filter (7) mora biti okrenut udesno što je moguće više da se spreči labavljenje držača za filter usled visokog pritiska.

- Pogrešnom upotrebom može doći do ozbiljnih povreda. Da biste se zaštitili od požara, strujnog udara ili povreda, ne uranjajte kabl, električne utikače, grejnu bazu u vodu ni druge tečnosti. Nemojte koristiti uređaj sa oštećenim kablom ili utikačem, nakon što se uređaj pokvari, padne ili ošteti na bilo koji način. Kontaktirajte proizvođača ili njegovu službu za korisnike.
- Površina grejnog elementa je podložna preostaloj toploti nakon upotrebe, ne dodirujte vruću površinu, ne koristite ručku ili dugme. Uvek držite ruke dalje od posude i mašine tokom upotrebe i nakon nje kako biste smanjili rizik od povreda.
- Aparat za kafu se ne sme stavljati u kuhinjski element tokom korišćenja.

## 1.4 Predviđena upotreba

Manuelni aparat za espresso kafu marke Beko namenjen je za upotrebu u domaćinstvima i sličnim prostorima, na primer, u kuhinjama za zaposlene, prodavnicama, kancelarijama i sličnim prostorijama ili od strane kupaca u objektima koji nude noćenje i doručak, hotelima, motelima i drugim vrstama smeštaja. Ovaj aparat za kafu nije namenjen za komercijalnu upotrebu. Aparat je namenjen samo za pripremu kafe i grejanje mleka i vode. Bilo koja druga upotreba osim ranije navedene smatra se nepravilnom upotrebom.

### Opasnost od nepravilne upotrebe!

Ako se ne koristi prema predviđenoj nameni ili se koristi na bilo koji drugi način, aparat za kafu može biti ili postati izvor opasnosti.



- Stoga se aparat za kafu sme koristiti samo prema predviđenoj nameni.
- Pridržavajte se postupaka opisanih u ovom uputstvu za korišćenje.

Nikakvi zahtevi za bilo kakvu odštetu neće biti prihvaćeni usled oštećenja ili povreda nastalih upotrebom aparata za kafu drugačijom od predviđene namene.

Rizik će obavezno snositi isključivo vlasnik aparata.

## 1.5 Ograničenje odgovornosti

Sve tehničke informacije, podaci i uputstva o ugradnji, radu i održavanju aparata za kafu sadržani u ovim uputstvima za upotrebu predstavljaju aktuelno stanje u trenutku štampanja i zasnovana su na najboljem mogućem znanju stečenom iskustvom i znanjem.

Nikakve zahteve za odštetu nije moguće podneti po osnovu informacija, ilustracija i opisa u ovom uputstvu za korišćenje.



# Važna uputstva za bezbednost i zaštitu životne sredine

Proizvođač ne preuzima nikakvu odgovornost za oštećenja ili povrede nastale usled nepostupanja u skladu sa uputstvima za korišćenje, upotrebe koja nije predviđena, neprofesionalne popravke, neovlašćene modifikacije ili korišćenja rezervnih delova koji nisu odobreni.

## 1.6 Usaglašenost sa WEEE direktivom i odlaganje otpada:

Ovaj proizvod je usaglašen sa WEEE direktivom Evropske unije (2012/19/EU). Ovaj proizvod nosi simbol klasifikacije za odlaganje električne i elektronske opreme (WEEE).



Ovaj simbol označava da se ovaj proizvod ne sme odlagati zajedno sa ostalim kućnim otpadom na kraju njegovog radnog veka. Korišćeni aparat mora se vratiti na službeno mesto za sakupljanje za recikliranje električnih i elektronskih uređaja. Da biste pronašli ova mesta za sakupljanje, obratite se lokalnom nadležnom telu ili prodavcu gde je proizvod kupljen. Svako domaćinstvo ima važnu ulogu u vraćanju i recikliranju starih uređaja. Odgovarajuće odlaganje korišćenog uređaja pomaže u sprečavanju potencijalnih negativnih posledica po životnu sredinu i zdravlje ljudi.

## 1.7 Usklađenost sa RoHS Direktivom

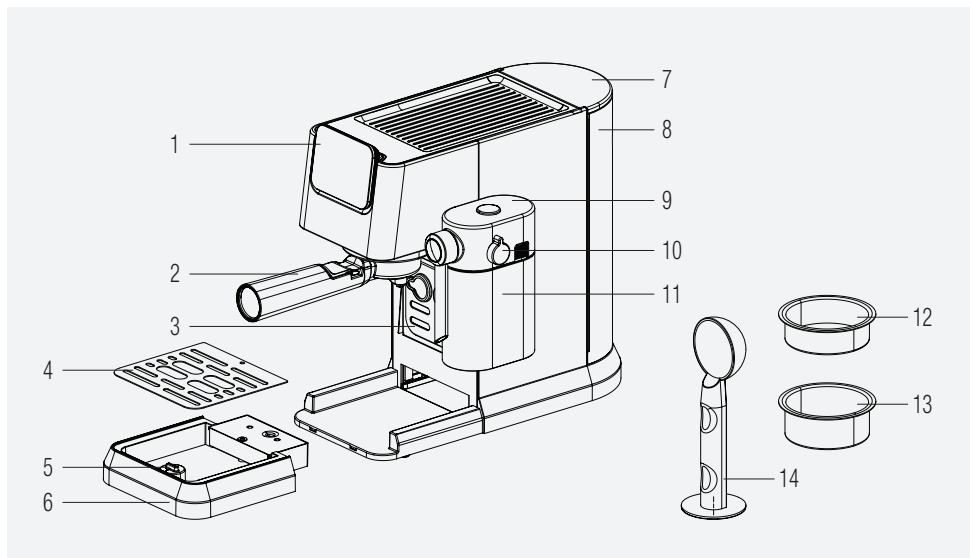
Proizvod koji ste kupili u saglasnosti je sa RoHS Direktivom Evropske unije (2011/65/EU). On ne sadrži štetne i zabranjene materijale navedene u Direktivi.

## 1.8 Informacije o pakovanju



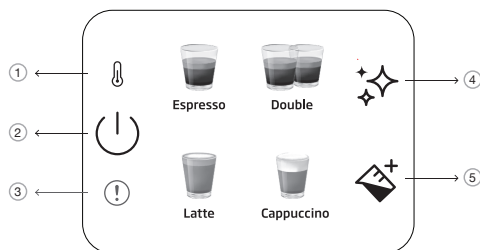
Ambalažni materijali ovog proizvoda su napravljeni od materijala koji mogu da se recikliraju u skladu sa nacionalnim propisima o zaštiti životne sredine. Ne bacajte materijal pakovanja zajedno sa kućnim ili drugim otpadom. Odnosite ih do sabirnih centara za ambalažu koji su određeni od strane lokalnih vlasti.

## 2 Pregled komponenti i kontrolna ploča



1. Kontrolna tabla
2. Držac filtera
3. Držac šolje
4. Mreža za posudu za kapanje
5. Plovak
6. Posuda za kapanje
7. Poklopac rezervoara za vodu
8. Rezervoar za vodu
9. Poklopac spremnika za mleko
10. Dugme za podešavanje mlečne pene
11. Spremnik za mleko
12. Pojedinačna korpa za espresso
13. Dupla korpa za espresso
14. Posuda za sakupljanje kafe / tamper

### 2.1 Kontrolna tabla



1		Indikator predgrejanja
2		Dugme za uključivanje/ isključivanje i odustajanje
3		Opšta greška
4		Dugme za čišćenje i uklanjanje kamenca
5		Dugme za mleko

Sve iskazane vrednosti na proizvodu i na odštampanim prospektima dobijene su nakon laboratorijskih merenja koja su izvršena u skladu sa srodnim standardima. Ove vrednosti mogu se razlikovati u zavisnosti od korišćenja i okolnih uslova.

## 3 Tehnički podaci

**Napajanje:** 220-240 V~, 50-60 Hz

**Snaga:** 1376 - 1628 W

Pravo na tehničke i dizajnerske promene je zadržano.

Sve iskazane vrednosti na proizvodu i na odštampanim prospektima dobijene su nakon laboratorijskih merenja koja su izvršena u skladu sa srodnim standardima. Ove vrednosti mogu da se razlikuju u zavisnosti od korišćenja i ambijentalnih uslova.

**Dimenzije proizvoda:**

20,5 cm (Širina) x 30,8 cm (Visina) x 42,3 cm (Dubina)

[Širina bez šolje za mleko: 14,4 cm

Dubina bez držača filtera: 32,5 cm]

**Težina:** 3,85±0,5kg

**Dužina kabela:** > 90 cm

**Kapaciteti korpe**

**Jednostruka:** 10g

**Dupla:** 17g

**Zapremina posude za kapanje:** Do 0,2 L

**Kapacitet posude za vodu:** 1.1±5%L

**Mašina – vreme zagrevanja:** < 55 s

**Količina kafe (zadate postavke):**

Espresso: 30-55 ml

Dupla: 65-95 ml

Latte: 170-280 ml mleka, 30-55 ml kafe

Cappuccino: 114-190 ml mleka, 30-55 ml kafe



Ovo dugme "❄️" će zasvetliti narandžasto kada treba ukloniti kamenac iz mašine.

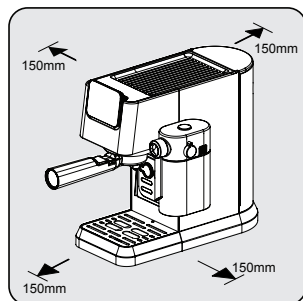


Ako NTC nije spojen na električnu ploču, crveno svetlo indikatora greške će svetliti u tom momentu i neće biti odgovora ako se pritisne bilo koje dugme.

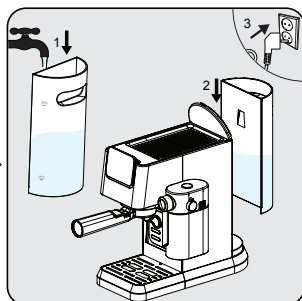
## 4 Priprema

### 4.1 Prva upotreba

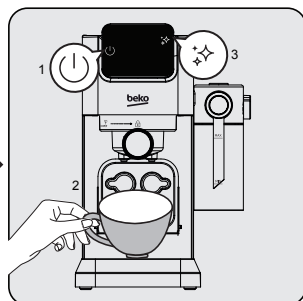
**i** Uklonite sve zaštitne folije, nalepnice i bilo koji drugi materijal za pakovanje sa aparata.



Izaberite bezbednu i stabilnu površinu sa lako dostupnim izvorom napajanja i obezbedite minimalnu udaljenost od bočnih strana aparata.

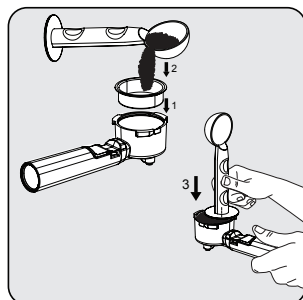


Napunite spremnik za vodu svežom, hladnom čistom vodom najmanje do oznake MIN i najviše do oznake MAX. (Ne dodavati toplu vodu)  
Zatim umetnite spremnik na aparat, a drugi kraj kabla za napajanje u zidnu utičnicu sa odgovarajućim naponom napajanja.

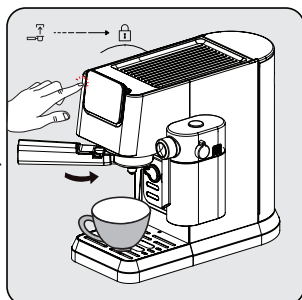


Dugme za uključivanje/isključivanje "⏻" na kontrolnoj ploči će zasvetiti. Pritisnite to dugme da uključite aparat. Stavite šolju ispod glave za kuvanje i pritisnite dugme za čišćenje "⚡". Aparat će se oglasiti jednim zvučnim signalom i započeti čišćenje. Kada završi, aparat će biti spreman za upotrebu.

### 4.2 Kuvanje pojedinačnog / dvostrukog espressa

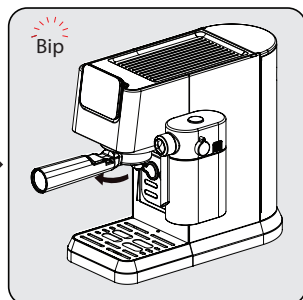


Stavite jednu ili duplu korpu za espresso u držač filtera. Sveže mlevenu kafu u prahu sipajte u filter kašikom za merenje (cca. 8-15 g) i kašikom poravnajte višak praha. Nabijajućim krajem kašike, nanesite oko 15 kg kako biste ravnomerno i čvrsto utisnuli prah.



Postavite držač uz filter ispod izlaza za kafu. Poravnajte ga sa simbolom za otključavanje, gurnite ga u žleb i polako ga rotirajte na desno do simbola zaključavanja.

- Postavite šolju za kafu tačno ispod otvora za kafu.
- Pritisnite jednostruko ili dvostruko dugme i aktiviraće se zvučni signal.
- Odabrana kafa će početi da treperi i počinje priprema napitka.



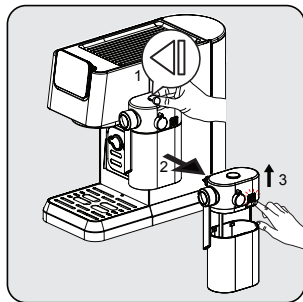
Nakon dovršetka kuvanja, aparat će aktivirati jedan zvučni signal i preći na mod mirovanja. Uklonite držač filtera u smeru kazaljke na satu. Očistite držač filtera i osušite ga nakon svake upotrebe.

## 4 Priprema

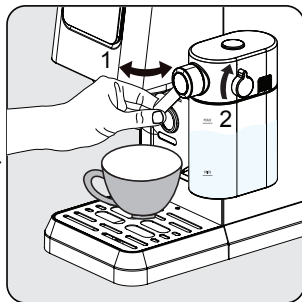
- Sačekajte 5 sekunda nakon kuvanja, a zatim izvadite filter. To će vam pomoći da lako uklonite filter koji se kreće.
- Kafa u prahu se ne može koristiti nakon kuvanja.
- Koristite produžetak ručke da izbijete ostatke kafe dok držite korpu na mestu.
- Da bi vaša espresso kafa zadržala optimalnu temperaturu, preporučujemo vam da prethodno zagrejte šoljice.
- Da biste iz svojih zrna kafe izvukli najfiniji ukus, preporučujemo upotrebu celih zrna kafe koja su sveže mlevena svaki put kada se priprema espresso.
- Pored kafe koju koristite, savršenu espresso kafu ćete dobiti upotrebom sveže hladne vode bez hlora, mirisa i drugih nečistoća.
- Držite mlevenu kafu za espresso u hermetički zatvorenoj posudi i na hladnom i suvom mestu kako biste sačuvali njenu aromu. Mlevenu kafu ne treba držati dugo vremena jer će se ukus promeniti.

### 4.3 Kuvanje Cappuccina i Caffe Latte

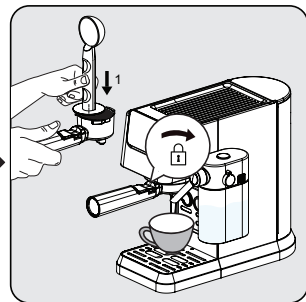
Cappuccino ili Caffe Latte su kombinacije jedne čašice espressa sa različitim količinama vrućeg mleka i mlečne pene.



Držeći spremnik za mleko jednom rukom, pritisnite dugme na vrhu poklopca spremnika za mleko da uklonite rezervoar za mleko uredno. Skinite poklopac spremnika za mleko pritiskom na dugme za otpuštanje na desnoj strani kućišta poklopca.



Dodajte mleko u spremnik za mleko. Mleko uvek treba biti ispod maksimalne oznake. Preporučena temperatura za mleko je 4-8 °C (~ 40-46 °F). Stavite poklopac spremnika za mleko i pričvrstite spremnik za mleko na uređaj, mora se čujno uglaviti na svoje mesto. Uverite se da spremnik za mleko pravilno stoji. Podesite ugao izlaza mlečne pene preko šolje. Podesite gustinu mlečne pene pomoću dugmeta prema vašim željama.

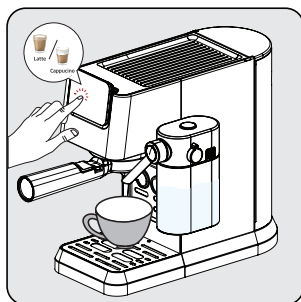


Umetnite pojedinačnu korpu u držač filtera. Napunite filter fino mlevenim espresso prahom (cca. 8-15g). Pritisnite prašak ravnom stranom kašike za kafu. Postavite držač uza filter ispod izlaza za kafu. Poravnajte ga sa simbolom za otključavanje, gurnite ga u žleb i polako ga rotirajte na desno do simbola zaključavanja.

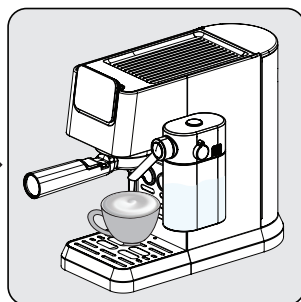


Ovaj aparat omogućava korisniku da podesi odnos pene okretanjem dugmeta sa Max na Min kako biste dobili željenu penu. Predloženo podešavanje za Latte je min-mid, a za Cappuccino mid-max. Podesite gustinu mlečne pene prema vašim željama.

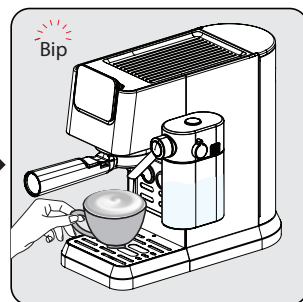
## 4 Priprema



Pritisnite dugme "cappuccino ili latte", a zatim se aktivira jedan zvučni signal. Odabrano dugme za napitke će početi da trepće i priprema se pokreće.



Pumpa će raditi isprekidano kada mlečna pena počne ulazi u vašu šolju. Nakon što je mlečna pena spremna, aparat automatski počinje kuvati kafu.



Kada aparat jednom zapišti, napitak je spreman. Uživajte!  
- Aparat će se vratiti u mod mirovanja.

### 4.4 Kuvanje / Dodavanje mlečne pene

Napunite spremnik za mleko i podesite dugme u položaj. Pritisnite dugme za mlečnu penu "☕<sup>+</sup>". Aparat će automatski pokrenuti točenje mleka (90-140 ml). Kada završi, aparat će se vratiti u mod mirovanja.

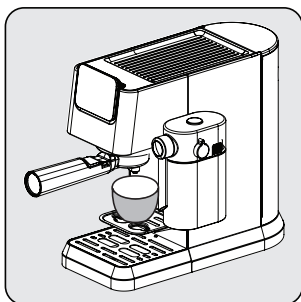


Uvek vodite računa da je spremnik za mleko pravilno postavljen. Ako nije dobro postavljen, dugmad za Cappuccino, Latte i mlečnu penu će se ugasi i funkcije neće biti dostupne. Zujalica će aktivirati 3 zvučna signala kako bi to označila.

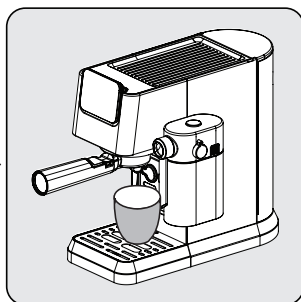


Uklanjanje spremnika za mleko ne utiče na kuvanje kafe, mogu se koristiti programi za jednokratni/dvostruki espresso.

### 4.5 Podešavanje visine za različite veličine šolje



Za manje šoljice može se koristiti fioka za šolje (3).



Za šolje prosečne veličine, stavite šolju preko posude za kapanje (6) u normalno umetnuti položaj.



Ako se odvod za kapanje ukloni za veće šolje, treba ga vratiti u aparat odmah nakon pripreme napitka. Ako se posuda za kapanje ne vrati nazad nakon pripreme napitka, zbog unutrašnjeg otpuštanja sistema, voda bi mogla doći do baze i bilo bi potrebno ručno čišćenje suvom krpom.

## 5 Rad i upotreba

### 5.1 Podešavanje količine vaše kafe/mleka

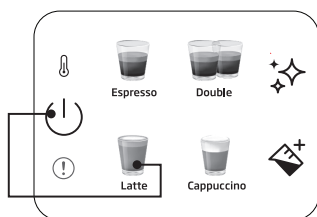
#### Podešavanje količine za jednostruki i dvostruki Espresso

1. Odaberite funkciju koju želite reprogramirati. Pritisnite odgovarajuće dugme (jednostruki ili dvostruki Espresso) i držite ga pritisnutim. Čuje se jedan kratak zvučni signal. [jednostruke/dvostruke programirane količine espressa (min.: 30/60 ml, maks.: 50/100 ml)]
2. Pustite dugme tek kada prođe željena količina kafe. Čuju se dva kratka zvučna signala. Ovaj iznos je sada spremljen pod odgovarajućom funkcijom.

#### Podešavanje količine za Latte, Cappuccino i mlečnu penu

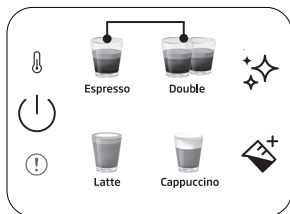
1. Odaberite funkciju koju želite reprogramirati. Pritisnite odgovarajuće dugme (Cappuccino, Latte ili mleko) i držite ga pritisnutim. Čuje se jedan kratak zvučni signal. (Najkraće vrijeme kuvanja mleka je 10 sekundi, a najduže 45 sekundi.)
2. Pustite dugme tek kada prođe vreme kuvanja mleka koje želite. Čuju se dva kratka zvučna signala. Ovo vreme je sada spremljeno pod odgovarajućom funkcijom.
3. Za promenu količine crne kafe; nakon točenja mleka, pritisnite i držite ikonu odabranog napitka dok ne prođe željena količina.

**i** Prilagođena podešavanja napitka će se sačuvati u memoriji uređaja za buduću upotrebu dok se ne resetuju ili ponovo ne promene.



#### Za resetovanje pojedinačnog napitka na podrazumevano/fabričko podešavanje:

Pritisnite i držite bilo koje dugme za napitak i napajanje zajedno duže od 3 sekunde da resetujete odabranu količinu pića.



#### Za resetovanje svih napitaka na podrazumevano/fabričko podešavanje:

Pritisnite i držite jednostruko i dvostruko dugme za espresso zajedno duže od 3 sekunde da resetujete svu količinu napitka.

**i** Vreme pripravnosti: Mašina će se automatski isključiti nakon 29 minuta bez ikakvih operacija (ili nakon rada).

## 6 Čišćenje

### 6.1 Čišćenje spremnika za mleko

Sipajte vodu u spremnik za mleko do nivoa MAX i pritisnite dugme za mlečnu penu "☒". Kada završite, izvadite komponente spremnika za mleko (9) (11) i očistite ih pod čistom vodom.



Očistite spremnik za mleko nakon svake upotrebe da biste izbegli ostatke mleka.

### 6.2 Funkcija čišćenja/ispiranja

Za čišćenje glave za kuvanje, stavite posudu ispod glave za kuvanje i pritisnite dugme za čišćenje "✦✦". Čišćenje će završiti u roku od 16 sekundi i aparat će biti spreman za upotrebu.

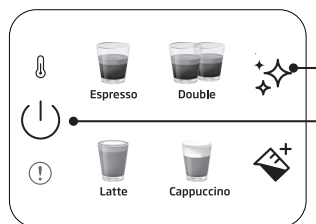


- Ako aparat ne koristite duže od 5 uzastopnih dana, isperite i ispraznite rezervoar za vodu.
- Posuda za kapanje i njena rešetka (6) (4) se mogu čistiti ručno pod čistom vodom.
- Ne stavljajte držač filter u aparat za pranje sudova.

### 6.3 Funkcija uklanjanja kamenca

Kada je potrebno uklanjanje kamenca, ikona za uklanjanje kamenca "✦✦" će zasvetliti narandžasto. Ispod glave za kuvanje stavite posudu od 1,5 l. Sipajte vodu u spremnik za vodu do nivoa MAX i pomešajte sa sredstvom za uklanjanje kamenca ili limunskom kiselinom. Pritisnite i držite dugme za uklanjanje kamenca "✦✦" duže od 3 sekunde i aktiviraće se dva zvučna signala koja označavaju da je započeo prvi ciklus uklanjanja kamenca. Prvi ciklus traje oko 15 minuta. Kada završi, ikona za uklanjanje kamenca će postati bela "✦✦".

Ispraznite i vratite posudu ispod glave za kuvanje. Očistite i napunite spremnik za vodu do nivoa MAX čistom vodom. Pritisnite i držite dugme za uklanjanje kamenca "✦✦" duže od 3 sekunde i aktiviraće se dva zvučna signala koja označavaju da je započeo drugi ciklus uklanjanja kamenca. Drugi ciklus traje oko 6 minuta. Kada proces završi, aparat će se vratiti u mod mirovanja i biće spreman za upotrebu.



#### Za resetovanje statusa upozorenja za uklanjanje kamenca:

Pritisnite i držite dugme za napajanje i uklanjanje kamenca zajedno duže od 3 sekunde.



- Uklanjanje kamenca je potrebno nakon unapred definisanog ciklusa kuvanja.
- Resetovanje statusa upozorenja o uklanjanju kamenca se ne preporučuje za održavanje najboljeg stanja uređaja.



## 7 Rešavanje problema

### 7.1 Problemi, mogući uzroci i rešenja

Problem	Uzrok	Rešenje
<b>Kafa curi niz bočne strane držača za filter.</b>	Držač za filter (2) nije propisno umetnut.	Okrenite ručku držača za filter (2) još nadesno.
	Na obodu filtera se nalazi mlevena kafa	Ugasite aparat, uklonite držač za filter (2) i očistite obode filtera.
	Pregrada unutar dispENZERA za pripremu kafe je zaprljana.	Očistite glavu za kuvanje kafe mokrom krpom i pokrenite funkciju čišćenja bez postavljanja držača filtera.
<b>Vrlo malo ili nimalo kafe teče kroz držač za filter.</b>	Nema vode u rezervoaru.	Napunite rezervoar vodom.
	Pregrada unutar dispENZERA za pripremu kafe je blokirana.	Propustite vrelu vodu kroz pregradu bez umetnutog držača za filter (2). Ako voda ne protiče, odšrafite pregradu, očistite i vratite u njen položaj.
	Filter je začepljen.	Otklanjanje problema: Očistite filter, umetnite držač za filter (2) i ispumpajte vodu kroz njega bez prethodno umetnute kafe. Ako kroz filter ne prolazi voda, pozovite korisničku službu i poručite zamenski filter.
<b>Pripremljena espresso kafa ističe samo u vidu kapi.</b>	Mlevena kafa je presitna ili je previše nabijena.	Nemojte mlevenu kafu previše nabijati. Koristite krupniju mlevenu kafu.
	Aparat je blokirao naslagama kamena.	Uklonite kamenac iz aparata. Vidi stranu 15.
<b>Espresso ističe previše brzo.</b>	Mlevena kafa je prekrupna.	Koristite mlin za sitnije mlevenje.
	Nema dovoljno kafe u filteru.	Stavite više mlevene kafe.
<b>Kafa nije kremasta.</b>	Kafa je stara ili previše suva.	Koristite svežu kafu.
	Kafa nije dovoljno čvrsto pritisnuta dole. Voda prebrzo protiče kroz kafu.	Jače pritisnite mlevenu kafu. Koristite mlin za sitnije mlevenje.
	Kafa je prekrupna.	Koristite mlin sa konusnim sečivom da biste dobili sitnije i konzistentnije mlevenje.
	Mešavina kafe nije pogodna za espresso kafu.	Promenite robnu marku espresso kafe.
<b>Ne stvara se dovoljno pene od mleka.</b>	Mleko nije sveže.	Koristite sveže mleko.
	Mleko nije odgovarajuće.	Proverite da li je mleko pogodno za penušanje.
	Mleko je od početka bilo previše toplo.	Koristite mleko direktno iz frižidera (34°F).
	Nema dovoljno mleka za stvaranje pene.	Koristite više hladnog mleka.
	Otvor za dovod mleka je blokirao.	Očistite otvor za dovod mleka.

Arçelik A.Ş.  
Karaağaç Cad. No: 2-6, 34445  
Sütlüce, İstanbul, Türkiye  
[www.beko.com](http://www.beko.com)

## 7.1 المشكلات والأسباب المحتملة والحلول

المشكلة	السبب	الحل
تنزل القهوة من جانب فلتر القهوة.	لم يتم إدخال فلتر القهوة (2) بالشكل الصحيح.	أدر مقيض فلتر القهوة (2) أكثر ناحية اليمين.
	حبيبات القهوة عالقة في حافة المصفاة.	أوقف تشغيل الجهاز وأخرج حامل فلتر القهوة (2) ونظف حواف المصفاة.
	الحاجز داخل رأس التحضير مَسَّخ.	نظف رأس التحضير باستخدام قطعة قماش مبللة ثم قم بتشغيل وظيفة التنظيف دون وضع فلتر القهوة.
يتدفق القليل جدًا من القهوة أو لا يتدفق عبر فلتر القهوة.	لا توجد مياه في الخزان.	املأ الخزان بالمياه.
	الحاجز داخل رأس التحضير مسدود.	حضر المياه عبر الحاجز دون إدخال فلتر القهوة (2). إذا لم تتدفق المياه، فك الحاجز ونظفه واستبدله.
يتم تحضير الإسبريسو في شكل قطرات فقط.	المصفاة مسدودة.	الحل: نظف المصفاة، وأدخلها في فلتر القهوة (2) وضخ المياه من خلاله بدون قهوة. إذا لم تنزل المياه عبر المصفاة، اتصل بخدمة العملاء لطلب مصفاة بديلة.
	حبيبات القهوة المطحونة ناعمة جدًا أو مدكوكة بقوة شديدة.	لا تقم بذلك حبيبات القهوة بقوة. استخدم مسحوق قهوة خشن.
يتم تحضير الإسبريسو بسرعة كبيرة.	الجهاز مسدود برواسب الكالسيوم.	قم بإزالة الترسبات عن الجهاز. انظر الصفحة 15.
	القهوة المطحونة خشنة جدًا.	استخدم قهوة مطحونة أنعم.
لا توجد كريما.	لا توجد قهوة كافية في المصفاة.	استخدم المزيد من القهوة المطحونة.
	القهوة قديمة أو جافة جدًا.	استخدم قهوة طازجة.
	القهوة لا تُدك بالقوة الكافية. تتدفق المياه من خلال القهوة بسرعة كبيرة.	قم بذلك حبيبات القهوة بقوة أكبر. استخدم قهوة مطحونة أنعم.
لا تُصنع رغوة كافية عند صنع رغوة الحليب.	القهوة خشنة جدًا.	استخدم مطحنة مخروطية الشكل للحصول على حبيبات مطحونة أنعم وأكثر تماسكًا.
	مزيج القهوة غير مناسب للقهوة الإسبريسو.	غيّر العلامة التجارية للإسبريسو.
لا يوجد حليب غير مناسب.	الحليب غير طازج.	استخدم حليبًا طازجًا.
	الحليب غير مناسب.	تأكد من أن الحليب مناسب لعمل رغوة.
	الحليب دافئ جدًا من البداية.	استخدم الحليب مباشرة من الثلاجة (34 درجة فهرنهايت).
	لا يوجد حليب كافٍ لعمل رغوة.	استخدم المزيد من الحليب البارد.
فتحة مخرج الحليب مسدودة.	نظف فتحة مخرج الحليب.	

## 6.1 تنظيف خزان الحليب

صب المياه في خزان الحليب حتى المستوى الأقصى ثم اضغط على زر رغوة الحليب "⚡+". بمجرد الانتهاء، انزع عناصر خزان الحليب (9) (11) ونظفها بالمياه النظيفة.

نظف خزان الحليب بعد كل استخدام للتخلص من بقايا الحليب.



## 6.2 التنظيف/وظيفة الشطف

لتنظيف رأس التحضير، ضع وعاءً أسفل رأس التحضير واضغط على زر التنظيف "⚡+". سينتهي التنظيف في غضون 16 ثانية وسيكون الجهاز جاهزاً للاستخدام.

إذا لم تستخدم الجهاز لأكثر من 5 أيام متتالية، اشطف خزان المياه وقم بتصريفه.  
يمكن تنظيف إناء التفتيق وشبكته (6) (4) يدويًا تحت الماء الجاري.  
لا تضع فلتر القهوة في غسالة الأطباق.



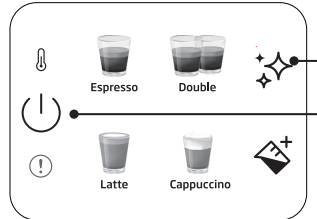
## 6.3 وظيفة إزالة الترسبات

عندما يتطلب الأمر إزالة الترسبات، سيضيء رمز إزالة الترسبات "⚡+" باللون البرتقالي. ضع وعاءً يمكن أن يحوي 1.5 لترًا أسفل رأس التحضير. صب المياه في خزان المياه حتى المستوى الأقصى واخطفه بمزيل ترسبات أو حمض الستريك. اضغط مع الاستمرار على زر إزالة الترسبات "⚡+" لأكثر من 3 ثوانٍ وستسمع صوت صفيرين مما يشير إلى بدء الدورة الأولى من إزالة الترسبات. ستستغرق الدورة الأولى حوالي 15 دقيقة. بمجرد انتهائها، سيتحول رمز إزالة الترسبات إلى اللون الأبيض "⚡+".

أفرغ الوعاء واستبدله أسفل رأس التحضير. نظف خزان المياه واملأه بالمياه النظيفة حتى المستوى الأقصى. اضغط مع الاستمرار على زر إزالة الترسبات "⚡+" لأكثر من 3 ثوانٍ وستسمع صوت صفيرين مما يشير إلى بدء الدورة الثانية من إزالة الترسبات. ستستغرق الدورة الثانية حوالي 6 دقائق. بمجرد انتهاء كل شيء، سيعود الجهاز إلى مرحلة الخمول وسيكون جاهزاً للاستخدام.

## إعادة تعيين حالة تحذير إزالة الترسبات:

اضغط مع الاستمرار على زر الطاقة وزر إزالة الترسبات معاً لأكثر من 3 ثوانٍ.



يلزم إزالة الترسبات بعد دورة التحمير المحددة مسبقاً.

لا يُقترح إعادة تعيين حالة تحذير إزالة الترسبات للحفاظ على أفضل حالة للجهاز.



## 5.1 ضبط حجم قهوتك / الحليب

### ضبط كمية الجرعات المفردة والمزدوجة من الإسبريسو

1. حدد الوظيفة التي تريد إعادة برمجتها. اضغط على الزر المناسب (جرعة مفردة أو مزدوجة من الإسبريسو) مع الاستمرار في الضغط. ستسمع صفيراً واحداً. [كميات الجرعات المفردة/المزدوجة من الإسبريسو التي يمكن برمجتها (الحد الأدنى: 60/30 مل، الحد الأقصى: 100/50 مل)]
2. اترك الزر فقط بمجرد مرور الكمية المطلوبة من القهوة. ستسمع صوت صفيرين. يتم الآن حفظ هذه الكمية تحت الوظيفة المقابلة.

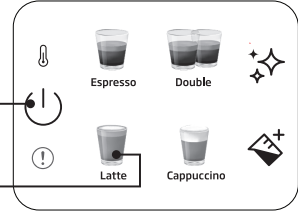
### ضبط كميات اللاتيه والكابتشينو ورغوة الحليب

1. حدد الوظيفة التي تريد إعادة برمجتها. اضغط على الزر المناسب (كابتشينو أو لاتيه أو حليب) مع الاستمرار في الضغط. ستسمع صفيراً واحداً. (أقل وقت لتحضير الحليب هو 10 ثوانٍ وأطول وقت هو 45 ثانية).
2. اترك الزر فقط بمجرد مرور الوقت الذي تريده لتحضير الحليب. ستسمع صوت صفيرين. يتم الآن حفظ الوقت تحت الوظيفة المقابلة.
3. لتغيير كمية القهوة السوداء؛ بعد الانتهاء من توزيع الحليب، اضغط مع الاستمرار على رمز المشروب المحدد حتى يتم تمرير الكمية المطلوبة.

سُحفظ إعدادات المشروبات المعدلة في ذاكرة الجهاز للاستخدام المستقبلي حتى تتم إعادة ضبطها مرة أخرى أو تغييرها.

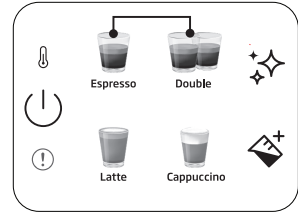
### لإعادة تعيين مشروب واحد على الإعداد الافتراضي/إعداد المصنع:

اضغط مع الاستمرار على أي مشروب وأزرار الطاقة معاً لأكثر من 3 ثوانٍ لإعادة تعيين كمية المشروب المحددة.

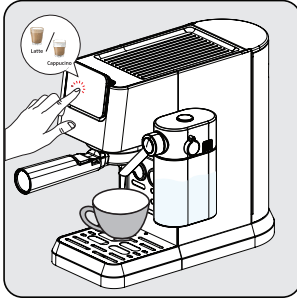


### لإعادة تعيين جميع المشروبات على الإعداد الافتراضي/إعداد المصنع:

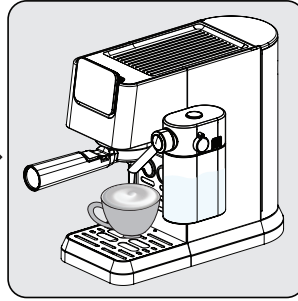
اضغط مع الاستمرار على زرّي الجرعتين المفردة والمزدوجة من الإسبريسو معاً لأكثر من 3 ثوانٍ لإعادة تعيين كمية المشروب بالكامل.



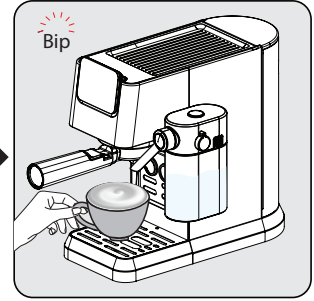
وقت الاستعداد: يُغلق الجهاز تلقائياً بعد مرور 29 دقيقة دون تشغيل (أو بعد العمل).



اضغط على زر "كابثينو أو لاتييه"، سيصدر صوت صغير واحد. سيبدأ زر المشروبات المختارة في الوميض وسيبدأ التحضير.



ستعمل المضخة بشكل متقطع حيث تدخل رغوة الحليب أولاً في الكوب. بعد أن تصبح رغوة الحليب جاهزة، يبدأ الجهاز تلقائياً في تحضير القهوة.



عندما تصدر الوحدة صفيراً واحداً، تكون المشروبات جاهزة للتناول! - سيعود الجهاز إلى وضع الخمول.

#### 4.4 تحضير / إضافة رغوة الحليب

املأ خزان الحليب واضبط المقبض في مكانه. اضغط على زر رغوة الحليب "☒". سيبدأ الجهاز في توزيع الحليب تلقائياً (90-140 مل). بمجرد الانتهاء، سيعود الجهاز إلى مرحلة الخمول.

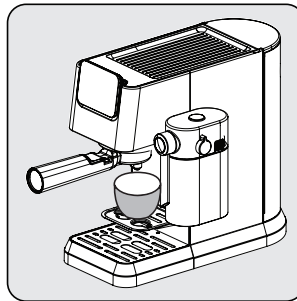
تأكد دائماً من أن خزان الحليب موضوع بالشكل الصحيح. إذا لم يتم تركيبه بشكل جيد؛ ستنتفيق أزرار اللاتييه ورغوة الحليب ولن تكون هذه الوظائف متاحة. سيصدر الجرس 3 أصوات صغيرة للإشارة إلى ذلك.



لن تؤثر إزالة خزان الحليب على تحضير القهوة، يمكن استخدام برنامجي الجرعة المفردة والمزدوجة من الإسبريسو .

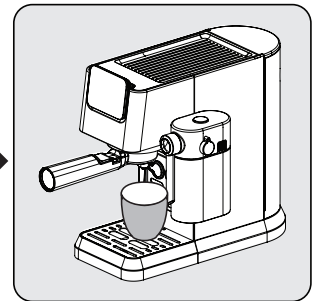


#### 4.5 ضبط الارتفاع حسب أحجام الأكواب المختلفة



للأكواب الصغيرة، يمكن استخدام صينية الأكواب (3).

للأكواب ذات الأحجام المتوسطة، ضع الكوب فوق إناء التنقيط (6) في وضع الإدخال الطبيعي.



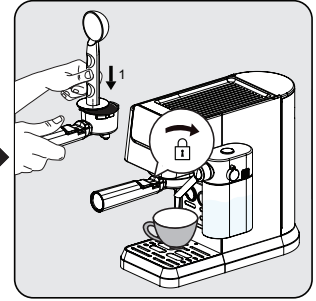
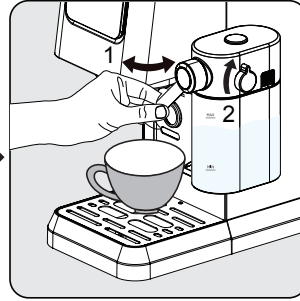
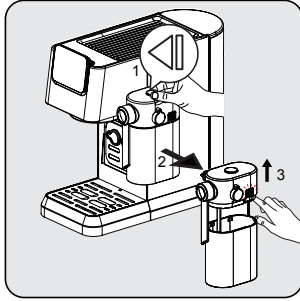
في حالة إزالة إناء التنقيط للأكواب الأكبر، يجب إعادته إلى الجهاز مباشرة بعد الانتهاء من تحضير المشروب. إذا لم يتم إعادة إناء التنقيط بعد تحضير المشروب، بسبب إطلاق النظام الداخلي، فقد تصل المياه إلى القاعدة وسيلازم تنظيف الجهاز يدوياً بقطعة قماش جافة.



- انتظر 5 ثوان بعد التحضير ثم أخرج الفلتر. سيساعدك ذلك على إزالة الفلتر المتحرك بسهولة.
- لا يمكن استخدام مسحوق القهوة بعد التحضير.
- استخدم الجزء الممتد من المقبض للتخلص من بقايا القهوة مع إبقاء الوعاء في مكانه.
- لضمان بقاء الإسبريسو عند درجة الحرارة المثلى، نوصي بتسخين الأكواب مسبقاً.
- لاستخلاص أفضل نكهة من حبوب القهوة، نوصي باستخدام حبوب القهوة الكاملة المطحونة حديثاً كل مرة تعد فيها الإسبريسو.
- بالإضافة إلى القهوة المستخدمة، فإن استخدام المياه الباردة النقية الخالية من الكلور والروائح والشوائب الأخرى تساعدك على ضمان الحصول على أفضل مذاق للإسبريسو.
- خزّن الإسبريسو المطحون في وعاء محكم الغلق، وفي مكان بارد وجاف للحفاظ على النكهة. لا تحتفظ بالحبيبات المطحونة لفترة طويلة حتى لا يتأثر مذاقها.

### 4.3 تحضير الكابتشينو واللاتيه

يتكون الكابتشينو واللاتيه من مزيج من جرعة واحدة من الإسبريسو مع كميات مختلفة من الحليب الساخن والحليب ورغوة الحليب.



أمسك خزان الحليب بيد واحدة، واضغط على الزر الموجود أعلى غطاء الخزان لفك الخزان جهة اليمين. فك غطاء خزان الحليب عن طريق الضغط على زر التحرير الموجود على الجانب الأيمن من جسم الغطاء.

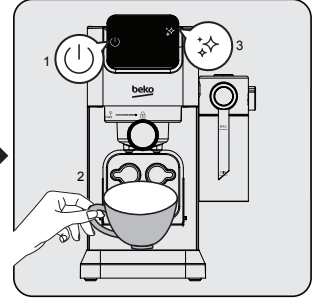
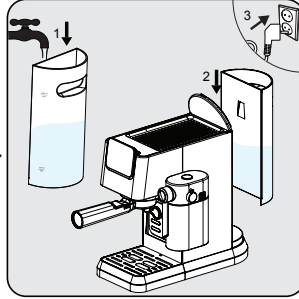
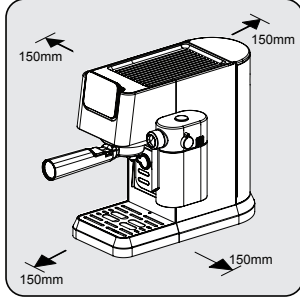
أضف الحليب إلى الخزان. وداوماً يجب أن يكون مستوى الحليب أقل من علامة الحد الأقصى. درجة الحرارة الموصى بها للحليب هي 4-8 درجة مئوية (ما يقارب 40-46 درجة فهرنهايت). ضع غطاء خزان الحليب وقم بتوصيل الخزان بالجهاز، يجب أن يصدر صوتاً مسموعاً عند تثبيته تأكد من وضع خزان الحليب بالشكل الصحيح. اضبط زاوية مخرج رغوة الحليب فوق الكوب. اضبط كثافة رغوة الحليب باستخدام المقبض حسب تفضيلاتك.

أدخل وعاء الجرعة المفردة في فلتر القهوة. املا الفلتر بمسحوق الإسبريسو المطحون جيداً (8-15 جم تقريباً). اضغط على المسحوق لأسفل بالجانب المسطح من ملعقة القهوة. ركب فلتر القهوة أسفل مخرج القهوة. وقم بمحاذاته مع رمز الفتح، ثم حركه في الشق، وأدره ببطء جهة اليمين إلى رمز القفل.

يتيح هذا الجهاز للمستخدم ضبط نسبة الرغوة من خلال إدارة المقبض من الحد الأدنى للاستمتاع بالرغوة المطلوبة. الإعداد المقترح لللاتيه هو من الحد الأدنى إلى المتوسط، والكابتشينو من الحد المتوسط إلى الأقصى. اضبط كثافة رغوة الحليب حسب تفضيلاتك.

## 4.1 الاستخدام للمرة الأولى

قم بإزالة أي أغشية واقية وملصقات وأي مواد تغليف أخرى من على الجهاز.

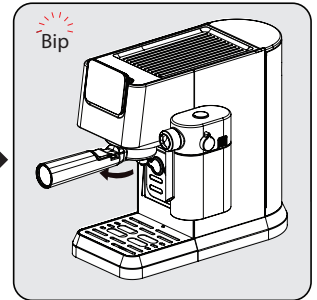
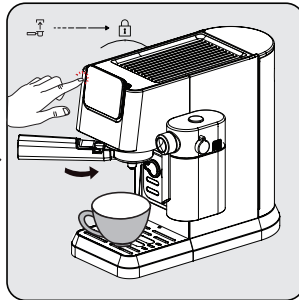
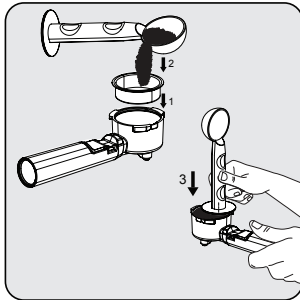


اختر سطحاً آمناً ومستقراً مزوداً بمصدر إمداد طاقة يمكن الوصول إليه بسهولة واترك مسافة أقل من جوانب الماكينات.

املأ خزان المياه بالمياه النقية الباردة النظيفة بحيث لا تقل عن علامة الحد الأدنى (MIN) ولا تزيد عن علامة الحد الأقصى (MAX). (لا تضيف المياه الساخنة) ثم أدخل الخزان في الجهاز وأدخل الطرف الآخر من سلك الطاقة في مقبس الحائط بجهد طاقة مناسب.

سيضيء زر التشغيل/ إيقاف التشغيل "⏻" على لوحة التحكم. اضغط على هذا الزر لتشغيل الجهاز. ضع الكوب أسفل رأس التحضير مباشرة ثم اضغط على زر التنظيف "🌀" .. سيصدر الجهاز صوت صفارة واحدة وسيبدأ في التنظيف. بمجرد الانتهاء، سيكون الجهاز جاهزاً للاستخدام.

## 4.2 تحضير الجرعة المفردة / المزدوجة من الإسبريسو



ضع وعاء الجرعة المفردة والمزدوجة من الإسبريسو في حامل الفلتر. ضع مسحوق القهوة المطحون الطازج في الفلتر بملعقة قياس (8-15 جم تقريباً)، واستخدم الملعقة لتسوية أي مسحوق زائد. وباستخدام الطرف المدك للملعقة، اضغط بقوة 15 كجم على المسحوق لجعله متساوياً وثابتاً.

ركب فلتر القهوة أسفل مخرج القهوة. وقم بمحاذاته مع رمز الفتح، ثم حركه في الشق، وأدره ببطء جهة اليمين إلى رمز القفل.  
- ضع كروب القهوة أسفل مخرج القهوة مباشرة.  
- اضغط على زر الجرعة المفردة أو المزدوجة وسيصدر صوت صفير.  
- سيبدأ اختيارك من القهوة في الوميض وسيبدأ تحضير المشروب.

بعد الانتهاء من التحضير، سيصدر الجهاز صوت صفير واحداً وسيبدأ في وضع الخمول. أخرج فلتر القهوة بإدارته في اتجاه عقارب الساعة. نظف فلتر القهوة وجففه بعد كل استخدام.



إمداد الطاقة: 220-240 فولت ~ ، 50-60 هرتز

الطاقة: 1376 - 1628 واط

إن حق إجراء التغييرات الفنية والتصميمية محفوظة.

تاروشنملا ليعو جتتملا ليعو تنلعملما ميقلا عيمج ليعو لوصحلا مة  
تاذ ريباعملا لفقو اهوراجا مة يثلا تميريتخملا تاسايقلا نم ةعوبطملا  
ةطمحلا فمورظلاو مادختسلا بسح ميقلا مده فالتختة دقو .تلصلا

#### جتتملا داعبأ

20,5 سم (العرض) × 30,8 سم (الارتفاع) × 42,3 سم (العمق)

[العرض بدون كوب الحليب: 14,4 سم]

مجمد: 32,5 قوهقلا رتلة نودج مة

مجمد: 3.85±0.5 نزلولا

مجمد >90 :ل باكلا لوط

#### عائلا تاعم

مجمد 10 :تدرفة ةعرج

مجمد 17 :ةجودزم ةعرج

رتلا 0.2 ليعو :طيقنتلا عائلا ةعم

رتلا 1.1±5% :دايملا نازة ةعم

تيناؤ 55% :ةتكملا قيسملا نيعستلا تقو

#### (ةمضارتقلا تاداد علا) قوهقلا مجمد

لم 30-55 :وسيربملا

لم 65-95 :ةجودزم ةعرج

قوهقلا لم 30-55 ، بجلد لم 170-280 :ميتلا

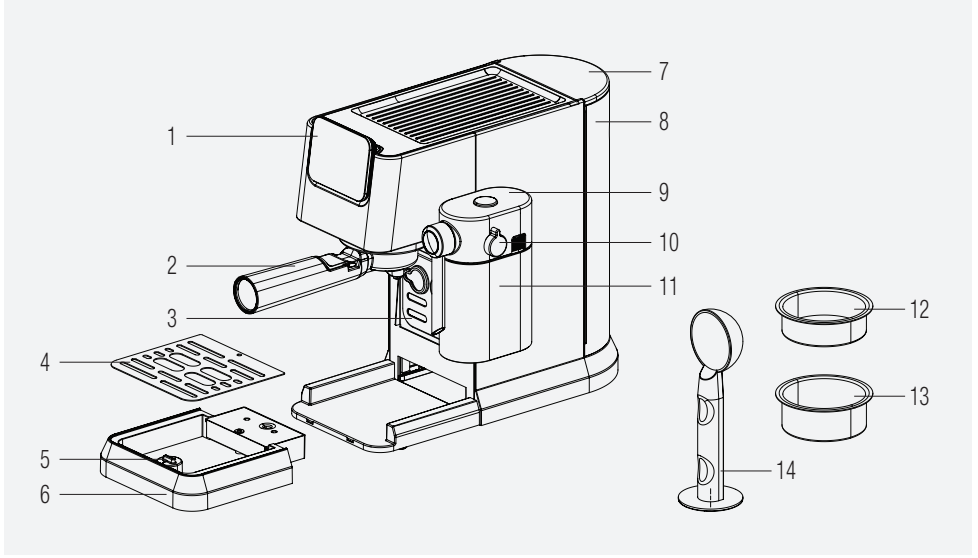
قوهقلا لم 30-55 ، بجلد لم 114-190 :ونيشيناك

سيضيء هذا الزر "❄️" باللون البرتقالي عندما يحتاج الجهاز إلى إزالة الترسبات.

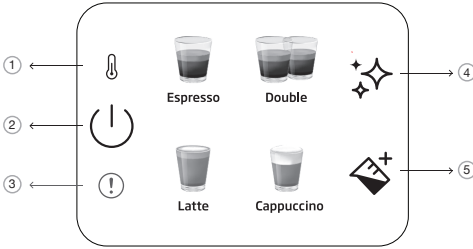


إذا لم يكن معامل درجة الحرارة السلبية (NTC) متصلاً بلوحة الطاقة، سيضيء مؤشر الخطأ باللون الأحمر ولن يستجيب الجهاز في حالة الضغط على أي زر.





### 2.1 لوحة التحكم



1. لوحة التحكم

2. فلتر القهوة

3. حامل أكواب

4. شبكة إناء التنقيط

5. عوامة

6. إناء التنقيط

7. غطاء خزان المياه

8. خزان المياه

9. غطاء خزان الحليب

10. مقبض ضبط رغوة الحليب

11. خزان الحليب

12. وعاء جرعة مفردة من الإسبريسو

13. وعاء جرعة مزدوجة من الإسبريسو

14. مغرفة القهوة/المدك

مؤشر التسخين المسبق		1
زر التشغيل/إيقاف التشغيل والإلغاء		2
خطأ عام		3
زر التنظيف وإزالة الترسبات		4
زر الحليب		5

تم الحصول على جميع القيم المعلنة على المنتج وعلى المنشورات المطبوعة من القياسات المختبرية التي أجريت وفقاً للمعايير ذات الصلة. قد تختلف هذه القيم حسب الاستخدام والظروف المحيطة.

## 1.6 الامتثال للتوجيهات الخاصة بنفايات الأجهزة والتخلص منها:

هذا المنتج متوافق مع توجيهات (EU WEEE (2012/19/EU. يحمل هذا المنتج رمز تصنيف (WEEE). التخلص من الأجهزة الكهربائية والإلكترونية

يشير هذا الرمز إلى أنه لا يجب التخلص من هذا المنتج مع النفايات المنزلية الأخرى في نهاية عمره التشغيلي. يجب إعادة الجهاز المستخدم إلى نقطة التجميع الرسمية لإعادة تدوير الأجهزة الكهربائية والإلكترونية. للعثور على نقاط التجميع هذه، يرجى الاتصال بالسلطة المحلية



أو بائع التجزئة الذي تم شراء المنتج منه. تؤدي كل أسرة دوراً مهماً في استعادة وإعادة تدوير الأجهزة القديمة. حيث يساعد التخلص المناسب من الأجهزة المستخدمة على منع النتائج السلبية المحتملة على البيئة وصحة الإنسان.

## 1.7 الامتثال لتوجيهات حظر المواد الخطرة:

هذا المنتج متوافق مع توجيهات (EU RoHS (2011/65/EU. وهو لا يحتوي على مواد ضارة أو محظورة محددة في التوجيهات.

## 1.8 معلومات التغليف

تم تصنيع مواد تغليف المنتج من مواد قابلة لإعادة التدوير طبقاً للوائح البيئية الوطنية. لا تتخلص من مواد التغليف مع النفايات المنزلية وغيرها. وقم بنقلها إلى نقاط تجميع مواد التغليف المحددة من قبل السلطات المحلية



## 1.9 توصيل القابس

يشتمل القابس المدمج في هذا الجهاز على صمام كهربائي 13 أمبير. في حالة الحاجة إلى استبدال الصمام الكهربائي يجب استبداله بصمام كهربائي BS1362 بنفس الجهد. لا تنش إعادة ضبط غطاء الصمام الكهربائي. وفي حالة فقد غطاء الصمام الكهربائي، لا يجب استخدام القابس إلى أن يتم تركيب غطاء صمام كهربائي بديل. ينبغي أن يكون لون غطاء الصمام الكهربائي البديل هو نفس اللون الظاهر على وجه السنون لغطاء الصمام الكهربائي للقابس. وتتوافر الأغطبة في جميع المتاجر الكهربائية.

## تركيب قابس مختلف

• حيث قد لا تتوافق ألوان الأسلاك في سلك التيار الرئيسي لهذا الجهاز مع ملصقات الألوان المحددة للأطراف في المقبس الخاص بك. نفذ ما يلي:

- كابل بني = L (موجب)
- كابل أزرق = N (محايد)
- يجب أن يكون الكابيل الأخضر / الأصفر متصلاً بالخط الأرضي (E)
- عند تركيب قوابس بديلة ينبغي أيضاً تركيب صمام كهربائي 13 أمبير أو محمول كهربائي في صندوق الصمام الكهربائي الرئيسي. إذا كان لديك شك فتواصل مع فني كهربائي مؤهل.



#### 1.4 الاستخدام المخصص

صُممت ماكينة صنع الإسبريسو البيوية من بيكو للاستخدام في المنازل والبيئات المماثلة، على سبيل المثال في مطابخ الموظفين والمتاجر والمكاتب والمناطق المماثلة أو بواسطة النزلاء في الأماكن التي توفر خدمات المبيت والإفطار والفنادق والموتيلات وأماكن الإقامة الأخرى. ماكينة القهوة هذه غير مخصصة للاستخدام التجاري. الماكينة مخصصة فقط لتحضير القهوة وتسخين الحليب والماء. يعتبر أي استخدام آخر بخلاف المذكور سابقاً استخداماً غير لائق.

#### خطر ناتج عن سوء الاستخدام!

إذا لم يتم استخدامها للغرض المقصود منها أو استخدامها بأي طريقة أخرى، فقد تكون ماكينة تحضير القهوة مصدراً للخطر.

- لذلك، لا يجوز استخدام ماكينة القهوة إلا للغرض المقصود منها.
- اتبع الإجراءات الموضحة في دليل المستخدم هذا.



لن يتم قبول أي مطالبات من أي نوع عن الأضرار أو الإصابات الناتجة عن استخدام ماكينة القهوة لغرض غير المقصود منها. يجب أن يتحمل صاحب الجهاز وحده الخطر.

#### 1.5 حدود المسؤولية القانونية

تمثل جميع المعلومات والبيانات والتعليمات الفنية الخاصة بتركيب وتشغيل وصيانة ماكينة القهوة الواردة في تعليمات التشغيل، هذه الحالة الحالية وقت الطباعة وتستند إلى أفضل معرفة ممكنة مكتسبة من خلال الخبرة والمعرفة.

لا يمكن اشتقاق أي مطالبات من المعلومات والرسوم التوضيحية والأوصاف الواردة في دليل المستخدم هذا.

لا تتحمل الشركة المصنعة أي مسؤولية عن التلف أو الإصابة الناتجة عن عدم مراعاة دليل المستخدم أو الاستخدام لغرض غير المقصود أو الإصلاحات غير المهنية أو التعديلات غير المصرح بها أو استخدام قطع غيار غير معتمدة.

تغمر السلك أو المقابس الكهربائية أو قاعدة التسخين في المياه أو أي سوائل أخرى. لا تقم بتشغيل أي جهاز في حالة تلف السلك أو القابس، أو بعد تعطله، أو في حالة سقوطه أو تلفه بأي شكلٍ من الأشكال. يرجى الاتصال بالشركة المصنعة أو خدمة العملاء التابعة لها.

• يكون سطح عنصر التسخين ساخناً نتيجة للحرارة المتبقية بعد الاستخدام، لا تلمس السطح الساخن واستخدم المقبض أو الزر. ودائماً أبعد يديك عن الحاوية والجهاز أثناء الاستخدام وبعده لتقليل خطر إصابة الأشخاص.

• ينبغي عدم وضع ماكينة إعداد القهوة في الخزانة أثناء استخدامها.

استيفاء متطلبات السلامة.

- يمكن استخدام الجهاز من قبل الأشخاص الذين يعانون من قدرات بدنية أو حسية أو عقلية متدنية أو يفقدون للخبرة والمعرفة إذا تم منحهم الإشراف أو التعليمات الخاصة باستخدام الجهاز بطريقة آمنة وكانوا يدركون المخاطر المنطوية على ذلك.
- يمكن للأطفال الذين تبلغ أعمارهم 8 أعوام أو أكثر استخدام الجهاز إذا تم منحهم الإشراف أو التعليمات الخاصة باستخدام الجهاز بطريقة آمنة وكانوا يدركون المخاطر المنطوية على ذلك. يحظر إجراء أعمال التنظيف والصيانة بواسطة الأطفال إلا إذا كانوا أكبر من 8 أعوام وتحت الإشراف. احتفظ بالجهاز وسلكه بعيداً عن متناول الأطفال دون 8 أعوام.
- يحظر عبث الأطفال بالجهاز.
- هذا الجهاز مصمم للاستخدام المنزلي والتطبيقات المماثلة مثل:
  - مناطق المطابخ المخصصة للعاملين في المتاجر والمكاتب وبيئات العمل الأخرى؛
  - منازل المزارع.
  - النزلاء في الفنادق وفنادق الطرق والبيئات السكنية الأخرى؛
  - الأماكن التي توفر خدمات مبيت وإفطار.
- احمي ماكينة القهوة من تأثيرات الطقس مثل المطر والصقيع وأشعة الشمس المباشرة. لا تستخدم ماكينة القهوة في الهواء الطلق.
- يجب عدم غمر الجهاز.
- لا تنظف ماكينة القهوة أو ملحقاتها في غسالة الأطباق.
- لا تصب أي سوائل أخرى غير الماء ولا تضع أي مواد غذائية في خزان المياه.
- لا تملأ خزان الماء بعد علامة الحد الأقصى (الحافة السفلية لفتحة التعبئة) (1.1 لتر).
- قم بتشغيل الجهاز فقط بعد تركيب وعاء النفايات وإناء التنقيط وشبكة الكوب.
- لا تسحب الكابل لإزالة القابس من مقبس التيار الكهربائي ولا تلمسه بيد مبللة.
- لا تحمل ماكينة القهوة من كابل التيار الكهربائي.
- احتفظ بالجهاز وسلكه بعيداً عن متناول الأطفال دون 8 أعوام.
- قبل إزالة خزان المياه لملئه أو تفريغه، يجب دائماً إيقاف تشغيل الجهاز.
- ضع الوحدة دائماً على سطح عمل مستو وثابت ومقاوم للحرارة.
- قبل التحضير، يجب إدارة فلتر القهوة جهة اليمين بأقصى قدر ممكن من الإحكام لمنع فكه بسبب الضغط المرتفع.
- قد يؤدي سوء الاستعمال إلى حدوث إصابات بالغة. للوقاية من الحريق أو الصدمات الكهربائية أو الإصابات الشخصية، لا

- على فوهة القهوة.
- تجنب ملامسة الجلد للبخار المتسرب أو الماء الساخن أو ماء التنظيف وإزالة الترسبات.

### 1.3 احتياطات السلامة الأساسية

- اتبع احتياطات السلامة التالية لضمان التعامل الآمن مع ماكينة القهوة:
- لا تلعب أبداً بمواد التغليف. خطر الاختناق.
- افحص ماكينة القهوة بحثاً عن علامات تلف واضحة قبل الاستخدام. لا تستخدم آلة القهوة في حالة وجود تلف.
- إذا كان سلك إمداد الطاقة تالفاً، يجب استبداله من الجهة المصنّعة، أو الوكيل، أو أي شخص مؤهل بنفس الدرجة لتجنب المخاطر.
- يجب أن يتم إصلاح ماكينة القهوة فقط من قبل متخصص معتمد أو من خلال خدمة العملاء. يمكن أن تؤدي الإصلاحات غير المؤهلة إلى خطر كبير على المستخدم. سيؤدي ذلك إلى إبطال الضمان أيضاً.
- لا يجوز إجراء إصلاحات ماكينة القهوة خلال فترة الضمان إلا من قبل مراكز الخدمة المعتمدة من قبل الشركة المصنّعة، وإلا سيصبح الضمان باطلاً في حالة حدوث تلف لاحق.
- لا يجوز استبدال الأجزاء المعيبة إلا بقطع غيار أصلية. تضمن قطع الغيار الأصلية فقط

يتضمن هذا القسم تعليمات السلامة التي ستساعد في توفير الحماية ضد الإصابة الشخصية ومخاطر فقدان المواد. يؤدي عدم اتباع هذه التعليمات إلى إبطال الضمان الممنوح.

### 1.1 خطر التيار الكهربائي

- خطر على الحياة بسبب التيار الكهربائي! قد يؤدي التلامس مع الأسلاك أو المكونات الحية إلى إصابة خطيرة أو حتى الموت!
- اتبع احتياطات السلامة التالية لتجنب الصدمات الكهربائية:
- لا تستخدم ماكينة القهوة في حالة تلف كابل التوصيل أو قابس التيار الكهربائي.
- قبل إعادة استخدام ماكينة القهوة، يجب استبدال كابل التيار الكهربائي بواسطة كهربائي مؤهل.
- لا تفتح غطاء ماكينة القهوة. خطر التعرض لصدمة كهربائية إذا تم لمس التوصيلات الحية و / أو تغيير التكوين الكهربائي والميكانيكي.

### 1.2 خطر الحروق

- يمكن أن تصبح أجزاء ماكينة القهوة ساخنة جداً أثناء التشغيل! المشروبات المحضرة والبخار المتسرب ساخن للغاية!
- التزم باحتياطات السلامة التالية لتجنب حرق نفسك و / أو الآخرين:
- لا تلمس أيًا من الأكماد المعدنية الموجودة

## يُرجى قراءة دليل المستخدم هذا أولاً!

عميلنا العزيز،

شكراً لأنك اخترت منتج بيكو هذا. نأمل أن تحصل على أفضل النتائج من منتجك الذي قد تم تصنيعه بجودة عالية وأحدث التقنيات. يُرجى قراءة دليل المستخدم بالكامل وجميع المستندات الأخرى المصاحبة له بعناية قبل استخدام المنتج والاحتفاظ بها كمرجع للاستخدام في المستقبل. وإذا قمت بإعطاء المنتج إلى شخص آخر، يُرجى إعطاؤه دليل المستخدم أيضاً. يُرجى مراعاة جميع التحذيرات والمعلومات الواردة في دليل المستخدم.

## شرح الرموز

تُستخدم الرموز التالية في الأقسام المختلفة من هذا الدليل:

معلومات هامة أو تلميحات مفيدة عن الاستخدام.



**خطر:** هذا التحذير خاص بالمواقف الخطرة التي تتعلق بالحياة والممتلكات.



**تحذير:** يشير هذا التحذير إلى مواقف يُحتمل أن تكون خطيرة.



**تنبيه:** يشير هذا التحذير إلى احتمال حدوث ضرر مادي.



وتعد المواد مناسبة لتلامس الطعام



الورق المعاد تدويره  
والقابل لإعادة  
التدوير



# beko

## ماكينة إسبريسو نصف أوتوماتيكية دليل المستخدم



CEP 5304 X  
CEP 5303 B

AR



UK  
CA  
CE

01M-8914083200-5223-10  
01M-8914711200-5223-10  
01M-8915403200-5223-10  
01M-8916213200-5223-10



مجانا من متجر تطبيقات Apple أو  
يمكنك تنزيل تطبيق HomeDirect  
من متجر Google Play للحصول على الوصفات.