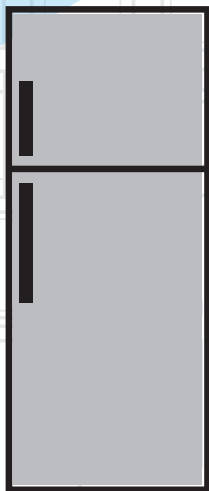


Refrigerator

User manual



RDNE535E31ZX

EN | ES

beko

Please read this user manual first!

Dear Customer,

We hope that your product, which has been produced in modern plants and checked under the most meticulous quality control procedures, will provide you an effective service.

Therefore, read this entire user manual carefully before using the product and keep it as a reference. If you handover the product to someone else, give the user manual as well.

The user manual will help you use the product in a fast and safe way.

- Read the manual before installing and operating the product.
- Make sure you read the safety instructions.
- Keep the manual in an easily accessible place as you may need it later.
- Read the other documents given with the product.

Remember that this user manual is also applicable for several other models. Differences between models will be identified in the manual.

Explanation of symbols

Throughout this user manual the following symbols are used:

	Important information or useful hints.
	Risk of injury and damage to the property.
	Risk of electric shock.
	Packaging materials of the product are manufactured from recyclable materials in accordance with our National Environment Regulations.





Contents

1. Safety and environment instructions	3	5.9. Fan.....24
1.1. General safety.....3		5.10. Crisper.....24
1.1.1 HC warning.....5		5.11.Chiller compartment.....24
1.1.2 For models with water dispenser5		5.12.Moving door shelf.....25
1.2. Intended use.....5		5.13.Sliding storage container.....25
1.3. Child safety.....5		5.14.Blue light.....25
1.4. Compliance with WEEE Directive and Disposing of the Waste Product. 6		5.15.Humidity controlled crisper...26
1.5. Compliance with RoHS Directive 6		5.16.Auto Icematic.....26
1.6. Package information.....6		5.17.Description and cleaning of odor filter.....27
2 Your appliance	7	5.18.HerbBox/HerbFresh.....27
3 Installation	8	5.19.Using the water dispenser....28
3.1. Appropriate installation location 8		5.20.Using the water dispenser....28
3.2. Installing the plastic wedges....8		5.21.Filling the water dispenser's tank29
3.3. Adjusting the feet.....9		5.22. Cleaning the water tank.....30
3.4. Electrical connection.....9		5.23.Drip tray.....31
3.5. Reversing the doors.....10		5.24.Freezing fresh food.....32
3.6. Reversing the doors.....11		5.25.Recommendations for preserving the frozen food.....33
4 Preparation	12	5.26.Deep-freeze information.....33
4.1. Things to be done for energy saving.....12		5.27.Placing the food.....33
4.2. Initial use.....12		5.28.Door open warning.....34
5 Operating the product	13	5.29.Changing the door opening direction.....34
5.1. Temperature setting button...13		5.30.Illumination lamp.....34
5.2. Fast freeze.....13		6 Maintenance and cleaning 35
5.3. Vacation function.....14		6.1. Avoiding bad odors.....35
5.4. Indicator panel.....15		6.2. Protecting the plastic surfaces 35
5.5. Indicator panel.....18		6.3. Door Glasses.....35
5.6. Twist Ice - matic.....23		6 Maintenance and cleaning 36
5.7. Ice container.....24		7. Troubleshooting
5.8. Egg holder.....24		37

1 Safety and environment instructions

This section provides the safety instructions necessary to prevent the risk of injury and material damage. Failure to observe these instructions will invalidate all types of product warranty.

Intended use

	WARNING: Keep ventilation openings, in the appliance enclosure or in the built-in structure, clear of obstruction.
	WARNING: Do not use mechanical devices or other means to accelerate the defrosting process, other than those recommended by the manufacturer.
	WARNING: Do not damage the refrigerant circuit.
	WARNING: Do not use electrical appliances inside the food storage compartments of the appliance, unless they are of the type recommended by the manufacturer.

This appliance is intended to be used in household and similar applications such as

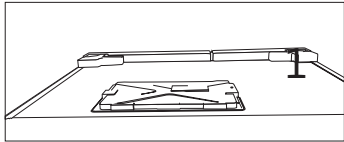
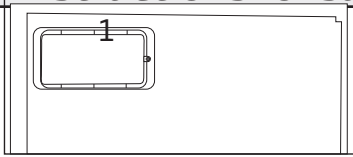
- staff kitchen areas in shops, offices and other working environments;

- farm houses and by clients in hotels, motels and other residential type environments;
- bed and breakfast type environments;
- catering and similar non-retail applications.

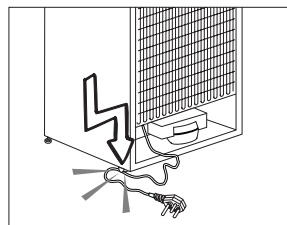
1.1. General safety

- This product should not be used by persons with physical, sensory and mental disabilities, without sufficient knowledge and experience or by children. The device can only be used by such persons under supervision and instruction of a person responsible for their safety. Children should not be allowed to play with this device.
- In case of malfunction, unplug the device.
- After unplugging, wait at least 5 minutes before plugging in again.
- Unplug the product when not in use.
- Do not touch the plug with wet hands! Do not pull the cable to plug off, always hold the plug.
- Do not plug in the refrigerator if the socket is loose.
- Unplug the product during installation, maintenance, cleaning and repair.
- If the product will not be used for a while, unplug the product and remove any food inside.
- Do not use the product when the compartment with circuit cards located on the upper back part of the product (electrical card box cover) (1) is open.

Instructions for safety and environment



- Do not use steam or steamed cleaning materials for cleaning the refrigerator and melting the ice inside. Steam may contact the electrified areas and cause short circuit or electric shock!
- Do not wash the product by spraying or pouring water on it! Danger of electric shock!
- In case of malfunction, do not use the product, as it may cause electric shock. Contact the authorised service before doing anything.
- Plug the product into an earthed socket. Earthing must be done by a qualified electrician.
- If the product has LED type lighting, contact the authorised service for replacing or in case of any problem.
- Do not touch frozen food with wet hands! It may adhere to your hands!
- Do not place liquids in bottles and cans into the freezer compartment. They may explode.
- Place liquids in upright position after tightly closing the lid.
- Do not spray flammable substances near the product, as it may burn or explode.
- Do not keep flammable materials and products with flammable gas (sprays, etc.) in the refrigerator.
- Do not place containers holding liquids on top of the product. Splashing water on an electrified part may cause electric shock and risk of fire.
- Exposing the product to rain, snow, sunlight and wind will cause electrical danger. When relocating the product, do not pull by holding the door handle. The handle may come off.
- Take care to avoid trapping any part of your hands or body in any of the moving parts inside the product.
- Do not step or lean on the door, drawers and similar parts of the refrigerator. This will cause the product to fall down and cause damage to the parts.
- Take care not to trap the power cable.



Instructions for safety and environment

1.1.1 HC warning

If the product comprises a cooling system using R600a gas, take care to avoid damaging the cooling system and its pipe while using and moving the product. This gas is flammable. If the cooling system is damaged, keep the product away from sources of fire and ventilate the room immediately.



The label on the inner left side indicates the type of gas used in the product.

1.1.2 For models with water dispenser

- Pressure for cold water inlet shall be maximum 90 psi (6.2 bar). If your water pressure exceeds 80 psi (5.5 bar), use a pressure limiting valve in your mains system. If you do not know how to check your water pressure, ask for the help of a professional plumber.
- If there is risk of water hammer effect in your installation, always use a water hammer prevention equipment in your installation. Consult Professional plumbers if you are not sure that there is no water hammer effect in your installation.

- Do not install on the hot water inlet. Take precautions against the risk of freezing of the hoses. Water temperature operating interval shall be 33°F (0.6°C) minimum and 100°F (38°C) maximum.
- Use drinking water only.

1.2. Intended use

- This product is designed for home use. It is not intended for commercial use.
- The product should be used to store food and beverages only.
- Do not keep sensitive products requiring controlled temperatures (vaccines, heat sensitive medication, medical supplies, etc.) in the refrigerator.
- The manufacturer assumes no responsibility for any damage due to misuse or mishandling.
- Original spare parts will be provided for 10 years, following the product purchasing date.

1.3. Child safety

- Keep packaging materials out of children's reach.
- Do not allow the children to play with the product.
- If the product's door comprises a lock, keep the key out of children's reach.

Instructions for safety and environment

1.4. Compliance with WEEE Directive and Disposing of the Waste Product

This product complies with EU WEEE Directive (2012/19/EU). This product bears a classification symbol for waste electrical and electronic equipment (WEEE).



This product has been manufactured with high quality parts and materials which can be reused and are suitable for recycling.

Do not dispose of the waste product with normal domestic and other wastes at the end of its service life. Take it to the collection center for the recycling of electrical and electronic equipment. Please consult your local authorities to learn about these collection centers.

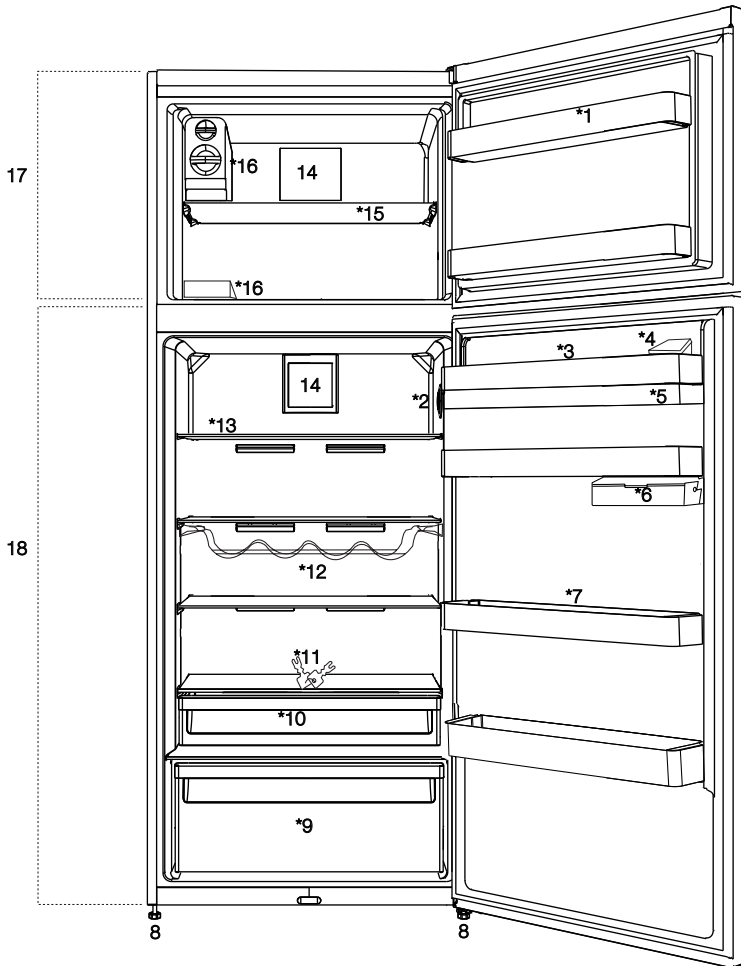
1.5. Compliance with RoHS Directive

- This product complies with EU WEEE Directive (2011/65/EU). It does not contain harmful and prohibited materials specified in the Directive.

1.6. Package information

- Packaging materials of the product are manufactured from recyclable materials in accordance with our National Environment Regulations. Do not dispose of the packaging materials together with the domestic or other wastes. Take them to the packaging material collection points designated by the local authorities.

2 Your appliance



- | | |
|---|--------------------------------------|
| 1. Fridge - compartment door shelf | 10. Chiller compartment |
| 2. Temperature setting button | 11. Lock and key |
| 3. Water dispenser filling tank | 12. Bottle shelf |
| 4. Egg section | 13. Fridge - compartment glass shelf |
| 5. Water dispenser reservoir | 14. Fan |
| 6. Storage container under the door shelf | 15. Freezer compartment shelf |
| 7. Moving door shelf | 16. Icebox / Ice-making compartment |
| 8. Adjustable feet | 17. Freezer compartment |
| 9. Crisper | 18. Fridge compartment |



***optional:** Figures in this user manual are given as an example and may not match the product exactly. If the relevant parts are not available in the product you purchased, the figure applies to other models.

3.1. Appropriate installation location

Contact an Authorized Service for the installation of the product. In order to prepare the product for use, refer the information in the user manual and ensure that electrical installation and water installation are appropriate. If not, call a qualified electrician and technician to have any necessary arrangements carried out.



WARNING: Manufacturer shall not be held liable for damages that may arise from procedures carried out by unauthorized persons.



WARNING: Product must not be plugged in during installation. Otherwise, there is the risk of death or serious injury!



WARNING: If the door clearance of the room where the product shall be placed is so tight to prevent passing of the product, remove the door of the room and pass the product through the door by turning it to its side; if this does not work, contact the authorized service.

- Place the product on an even floor surface to prevent jolts.
- Install the product at least 30 cm away from heat sources such as hobs, heater cores and stoves and at least 5 cm away from electrical ovens.
- Product must not be subjected to direct sun light and kept in humid places.
- Appropriate air ventilation must be provided around your product in order to achieve an efficient operation. If the product is to be placed in a recess in the wall, pay attention to leave at least 5 cm distance with the ceiling and side walls.

- Do not install the product in places where the temperature falls below -5°C .

3.2. Installing the plastic wedges

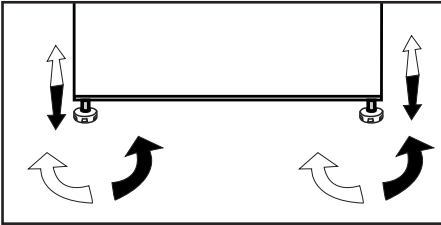
Plastic wedges supplied with the product are used to create the distance for the air circulation between the product and the rear wall.

1. To install the wedges, remove the screws on the product and use the screws supplied together with the wedges.
2. Insert the 2 plastic wedges onto the rear ventilation cover as illustrated in the figure.

Installation

3.3. Adjusting the feet

If the product stands unbalanced after installation, adjust the feet on the front by rotating them to the right or left.



Hot Surface Warning!
Side walls of your product is equipped with refrigerant pipes to improve the cooling system. Refrigerant with high temperatures may flow through these areas, resulting in hot surfaces on the side walls. This is normal and does not need any servicing. Please pay attention while touching these areas.

3.4. Electrical connection



WARNING: Do not make connections via extension cables or multi-plugs.



WARNING: Damaged power cable must be replaced by the Authorized Service Agent.



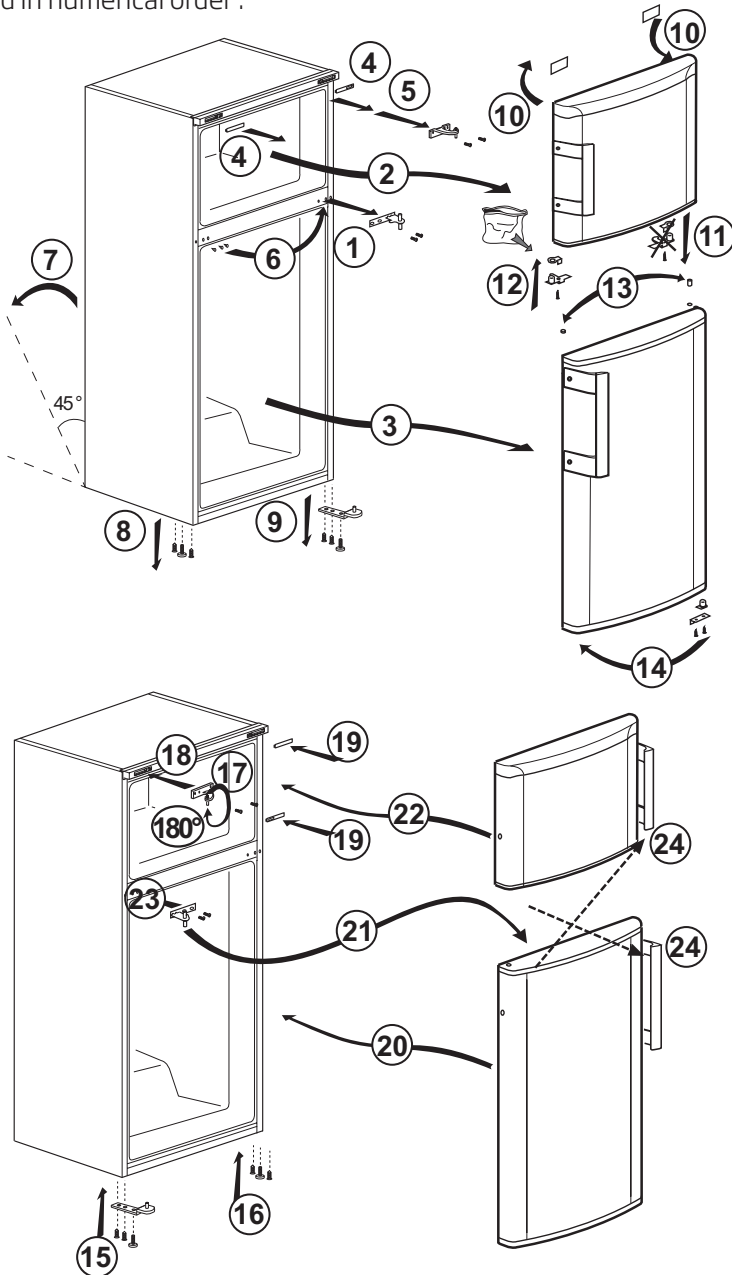
If two coolers are to be installed side by side, there should be at least 4 cm distance between them.

- Our company shall not be liable for any damages that will arise when the product is used without grounding and electrical connection in accordance with the national regulations.
- Power cable plug must be within easy reach after installation.
- Do not extension cords or cordless multiple outlets between your product and the wall outlet.

Installation

3.5.Reversing the doors

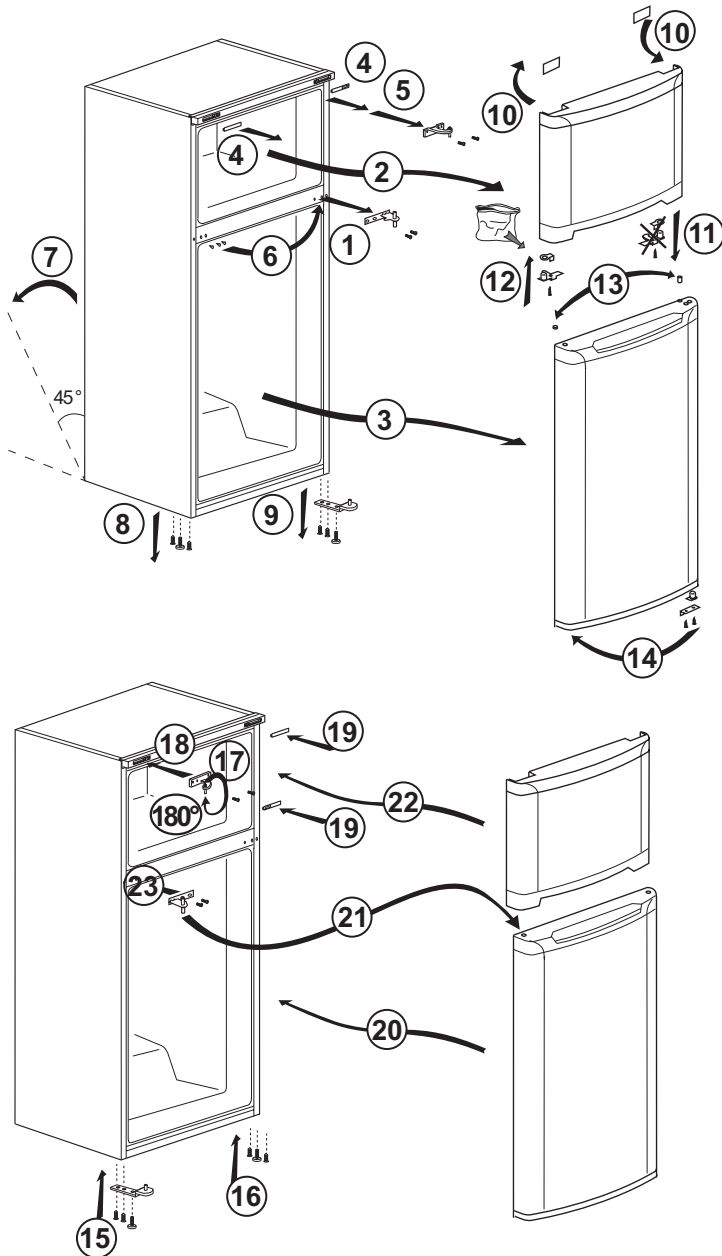
Proceed in numerical order .



Installation

3.6. Reversing the doors

Proceed in numerical order .



4

Preparation

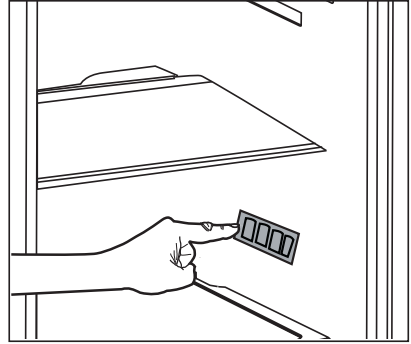
4.1. Things to be done for energy saving



Connecting the product to electric energy saving systems is risky as it may cause damage on the product.

- Do not leave the doors of your refrigerator open for a long time.
- Do not put hot food or drinks in your refrigerator.
- Do not overload the refrigerator, cooling capacity will fall when the air circulation inside is hindered.
- In order to store maximum amount of food in the freezer compartment, the icematic, available in the freezer compartment and easily removable by hand, shall be taken out. Net volume and energy consumption values declared on the power data plate of your refrigerator are measured and tested by removing the icematic. Do not remove the shelves inside the freezer compartment and on the door of freezer compartment shall not be removed and they shall always be used they provide ease of use and efficiency in energy consumption.
- Airflow should not be blocked by placing foods on the sides of the freezer compartment fan. A minimum distance of 3 cm shall be provided on the sides of protective fan cover.
- The baskets/drawers that are provided with the chill compartment must always be in use for low energy consumption and for better storage conditions.
- Food contact with the temperature sensor in the freezer compartment may increase energy consumption of the appliance. Thus any contact with the sensor(s) must be avoided.

- Depending on the features of your product, thawing frozen food in fridge compartment will both provide energy saving and preserve the food quality.



- Do not allow contact of the food with the fridge compartment temperature sensor shown in the figure below.

4.2. Initial use

Before starting to use your refrigerator, ensure that all preparations are made in accordance with the instructions in sections "Instructions for safety and environment" and "Installation".

- Run the product without putting any food for 6 hours and do not open its door unless certainly required.



You will hear a noise when the compressor starts up. The liquids and gases sealed within the refrigeration system may also give rise to noise, even if the compressor is not running and this is quite normal.



Front edges of the product may feel warm. This is normal. These areas are designed to be warm to avoid condensation.



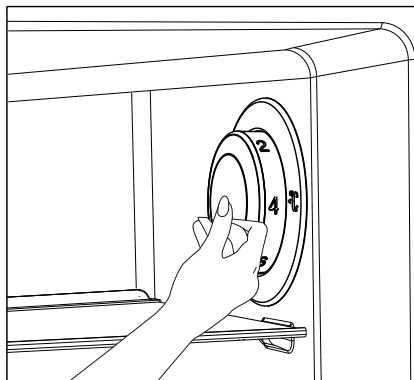
In some models, the instrument panel automatically turns off 5 minutes after the door has closed. It will be reactivated when the door has opened or pressed on any key.

5 Operating the product

5.1. Temperature setting button

The interior temperature of your refrigerator changes for the following reasons;

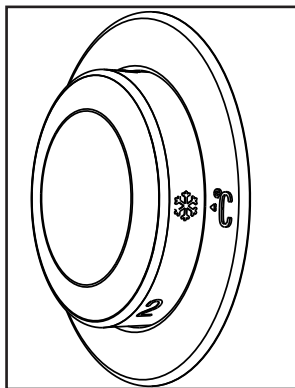
- Seasonal temperatures,
- Frequent opening of the door and leaving the door open for long periods,
- Food put into the refrigerator without cooling down to the room temperature,
- The location of the refrigerator in the room (e.g. exposing to sunlight),
- You may adjust the varying interior temperature due to such reasons by using the setting button.
- The numbers around the control knob indicate the temperature values in "°C".
- If the ambient temperature is 25°C, we recommend you to use the temperature control knob of your refrigerator at 4°C. This value may be increased or decreased as required in other ambient temperatures.



5.2. Fast freeze

If large amounts of fresh food are going to be frozen, adjust the temperature control knob to (❄️) max. 24 hours before putting the fresh food in the fast freeze compartment.

It is strongly recommended to keep the knob at this position at least 24 hours to freeze maximum amount of fresh food declared as freezing capacity. Take special care not to mix frozen food and fresh food.



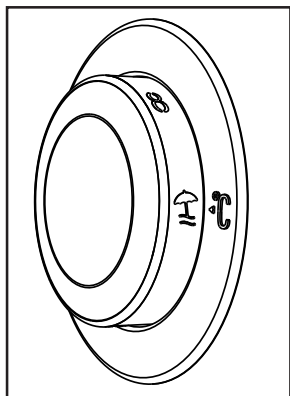
Operating the product

Remember to turn the temperature control knob back to its previous position once food has frozen.

5.3. Vacation function

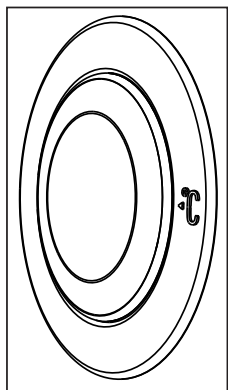
If the doors of the product are not opened for 12 hours after the temperature control knob is switched to the hottest position, then the vacation function will be activated automatically.

- When the setting operation is completed, you may press the temperature control knob and have it hidden.



To cancel the function, change the knob setting.

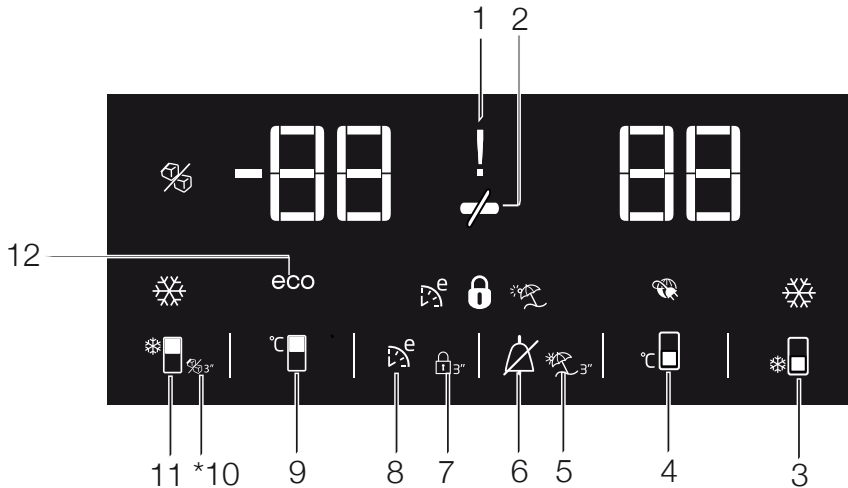
It is not recommended to store food in cooler compartment when the vacation function is active.



Operating the product

5.4. Indicator panel

Indicator panel allows you to set the temperature and control the other functions related to the product without opening the door of the product. Just press the inscriptions on relevant buttons for function settings.



1. Power failure/High temperature / error warning indicator

This indicator (1) illuminates during power failure, high temperature failures and error warnings. During sustained power failures, the highest temperature that the freezer compartment reaches will flash on the digital display. After checking the food located in the freezer compartment (2) press the alarm off button to clear the warning.

2. Energy saving function (display off):

If the product doors are kept closed for a long time energy saving function is automatically activated and energy saving symbol is illuminated. (2)

When energy saving function is activated, all symbols on the display other than energy saving symbol will turn off. When the Energy Saving function is activated, if any button is pressed or the door is opened, energy saving function will be canceled and the symbols on display will return to normal.



***Optional:** Figures in this user manual are schematic and may not match the product exactly. If the subject parts are not included in the product you have purchased, then those parts are valid for other models.

Operating the product

Energy saving function is activated during delivery from factory and cannot be canceled.

3. Quick fridge function

The button has two functions. To activate or deactivate the quick cool function press it briefly. Quick Cool indicator will turn off and the product will return to its normal settings. (●📱)



Use quick cooling function when you want to quickly cool the food placed in the fridge compartment. If you want to cool large amounts of fresh food, activate this function before putting the food into the product.



If you do not cancel it, quick cooling will cancel itself automatically after 8 hours or when the fridge compartment reaches to the required temperature.



If you press the quick cooling button repeatedly with short intervals, the electronic circuit protection will be activated and the compressor will not start up immediately.



This function is not recalled when power restores after a power failure.

4. Fridge compartment temperature setting button

Press this button to set the temperature of the fridge compartment to 8, 7, 6, 5, 4, 3, 2, 8... respectively. Press this button to set the fridge compartment temperature to the desired value. (●📱)

5. Vacation Function

In order to activate vacation function, press the this button (🌴) for 3 seconds, and the vacation mode indicator (🌴) will be activated. When the vacation function is activated, "- -" is displayed on the fridge compartment temperature indicator and no active cooling is performed on the fridge compartment. It is not suitable to keep the food in the fridge compartment when this function is activated. Other compartments shall be continued to be cooled as per their set temperature.

To cancel this function press **Vacation function** button again.

6. Alarm off warning:


In case of power failure/high temperature alarm, after checking the food located in the freezer compartment press the alarm off button (🔊) to clear the warning.

7. Key lock

Press key lock button (🔒) simultaneously for 3 seconds. Key lock symbol (🔒) will light up and key lock mode will be activated. Buttons will not function if the Key lock mode is active. Press key lock button simultaneously for 3 seconds again. Key lock symbol will turn off and the key lock mode will be exited. Press the **key lock** button if you want to prevent changing of the temperature setting of the refrigerator (🔒).


Operating the product

8. Eco fuzzy


Press and hold eco fuzzy button for 1 seconds to activate eco fuzzy function. Refrigerator will start operating in the most economic mode at least 6 hours later and the economic usage indicator will turn on when the function is active (). Press and hold eco fuzzy function button for 3 seconds to deactivate eco fuzzy function.

This indicator is illuminated after 6 hours when eco fuzzy is activated.

9. Freezer compartment temperature setting button

Press this button to set the temperature of the freezer compartment to -18,-19,-20,-21,-22,-23,-24,-18... respectively. Press this button to set the freezer compartment temperature to the desired value. ()


10. Icematic off indicator

Indicates whether the icematic is on or off. () If On, then the icematic is not operating. To operate the icematic again press and hold the On-Off button for 3 seconds.



Water flow from water tank will stop when this function is selected. However, ice made previously can be taken from the icematic.

11. Quick freeze function button/ icematic on-off button

Press this button to activate or deactivate the quick freezing function. When you activate the function, the freezer compartment will be cooled to a temperature lower than the set value. ()

To turn on and off the icematic press and hold it for 3 seconds.



Use the quick freeze function when you want to quickly freeze the food placed in fridge compartment. If you want to freeze large amounts of fresh food, activate this function before putting the food into the product.



If you do not cancel it, Quick Freeze will cancel itself automatically after 4 hours or when the fridge compartment reaches to the required temperature.



This function is not recalled when power restores after a power failure.

12. Economic usage indicator

Indicates that the product is running in energy-efficient mode. This indicator will be active if the Freezer Compartment temperature is set to -18 or the energy efficient cooling is being performed due to Eco-Extra function.



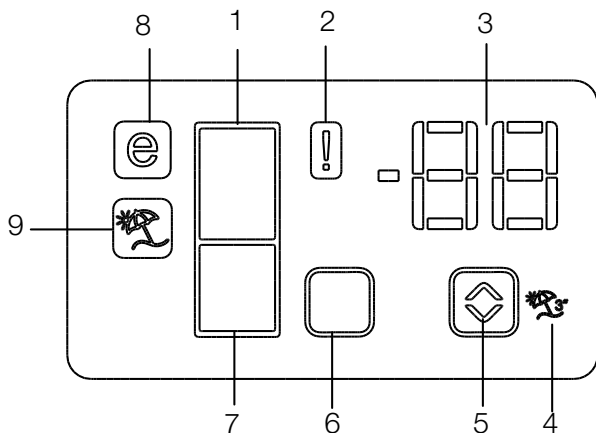
Economic usage indicator is turned off when quick cooling or quick freeze functions are selected.

Operating the product

5.5. Indicator panel

Indicator panels may vary according to the product model.

Audio - visual functions on the indicator panel helps you in using your product.



1. Fridge Compartment Indicator
2. Error status indicator
3. Temperature indicator
4. Vacation function button
5. Temperature setting button
6. Compartment selection button
7. Freezer compartment indicator
8. Economy mode indicator
9. Vacation function indicator

***optional**



***Optional:** Figures in this user manual are schematic and may not match the product exactly. If the subject parts are not included in the product you have purchased, then those parts are valid for other models.

Operating the product

1. Fridge compartment indicator

Fridge compartment light is illuminated while the fridge compartment temperature is set.

2. Error status indicator

If your refrigerator does not perform enough cooling or in case of a sensor fault, this indicator is activated.

When this indicator is activated, "E" is displayed on the freezer compartment temperature indicator, and numbers such as "1,2,3..." are displayed on the fridge compartment temperature indicator. These numbers on the indicator inform service personnel about the error.

3. Temperature indicator

Indicates freezer, fridge compartment temperature.

4. Vacation function button

Press on Vacation Button for 3 seconds to activate this function.

When the vacation function is activated, "- -" is displayed on the fridge compartment temperature indicator and no active cooling is performed on the fridge compartment. It is not suitable to keep the food in the fridge compartment when this function is activated. Other compartments shall be continued to be cooled as per their set temperature.

To cancel this function press **Vacation** button again.

5. Temperature setting button

Changes the temperature of the relevant compartment between -24°C... -18°C and 8°C...1°C.

6. Compartment selection button

Selection button: Press compartment selection button to switch between fridge and freezer compartments.

7. Freezer compartment indicator

Fridge compartment light is illuminated while the freezer compartment temperature is set.

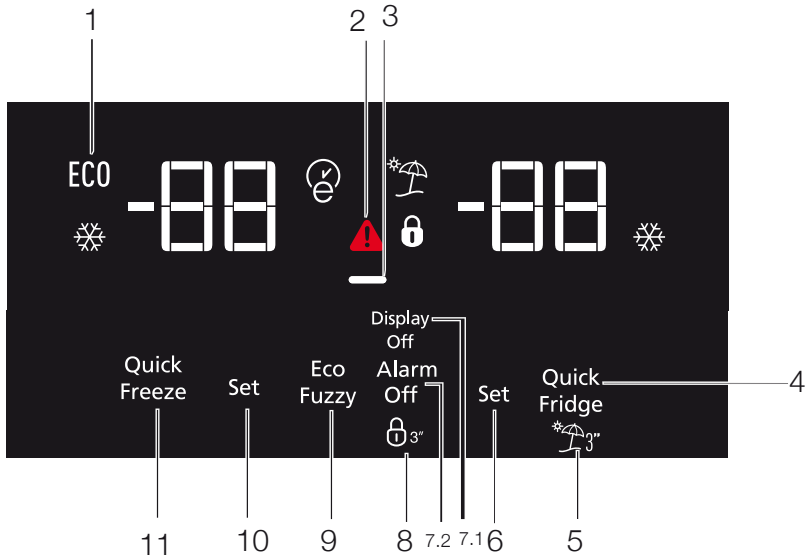
8. Economy mode indicator

Indicates that the refrigerator operates in energy saving mode. This display shall be activated if the freezer compartment temperature is set to -18°C.

9. Vacation function indicator

Indicates that vacation is activated.

Operating the product



1. Economy

This symbol is illuminated when the freezer compartment is set to -18°C as the most economical setting value (ECO). Economy indicator is turned off when quick cooling or quick freeze functions are selected.

2. High temperature / error warning indicator

This indicator (⚠) illuminates during high temperature failures and error warnings.

3. Energy saving function (display off)

If the product doors are kept closed

for a long time energy saving function is automatically activated and energy saving symbol is illuminated. When energy saving function is activated, all symbols on the display other than energy saving symbol will turn off. When the Energy Saving function is activated, if any button is pressed or the door is opened, energy saving function will be canceled and the symbols on display will return to normal.

Energy saving function is activated during delivery from factory and cannot be canceled.



***Optional:** Figures in this user manual are schematic and may not match the product exactly. If the subject parts are not included in the product you have purchased, then those parts are valid for other models.

Operating the product

4. Quick cool

Quick cooling indicator (❄️) is illuminated when quick cooling function is activated and fridge compartment temperature indicator value is displayed as 1. To cancel this function press Quick cooling button again. Quick cooling indicator will turn off and refrigerator will return to its normal settings. Quick cooling function is canceled automatically in 1 hour if you do not cancel it before. If you want to cool large amounts of fresh food, press the Quick cooling button before putting the food into the fridge compartment.

5. Vacation function

In order to activate vacation function, press the button no.

(🔒) for 3 seconds, and the vacation mode indicator activates. When the vacation function is activated, "- -" is displayed on the fridge compartment temperature indicator and no active cooling is performed on the fridge compartment. It is not suitable to keep the food in the fridge compartment when this function is activated. Other compartments shall be continued to be cooled as per their set temperature.

To cancel this function press **Vacation function** button again.

6. Fridge compartment temperature setting

When the button no. is pressed, you may set the temperature of the fridge compartment to 8,7,6,5,4,3,2 and 1 respectively (🔑).

7.1 Energy saving function (display off):

Energy saving symbol (⏻) is illuminated and Energy saving function is activated when you press this button (⏻). When energy saving function is activated, all symbols on the display other than energy saving symbol will turn off. When the Energy Saving function is activated, if any button is pressed or the door is opened, energy saving function will be canceled and the symbols on display will return to normal. Energy saving symbol is turned off and energy saving function is deactivated when you press this button (⏻) again.

7.2. Alarm off warning


In case of power failure/high temperature alarm, after checking the food located in the freezer compartment press the alarm off button to clear the warning.

8. Key lock

Press key lock button (🔒) simultaneously for 3 seconds. Key lock symbol (🔒) will light up and key lock mode will be activated. Buttons will not function if the Key lock mode is active. Press key lock button simultaneously for 3 seconds again. Key lock symbol will turn off and the key lock mode will be exited. Press the **key lock** button if you want to prevent changing of the temperature setting of the refrigerator (🔒).

Operating the product

9. Eco fuzzy

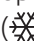

Press and hold eco fuzzy button for 1 seconds to activate eco fuzzy function. Refrigerator will start operating in the most economic mode at least 6 hours later and the economic usage indicator will turn on when the function is active (). Press and hold eco fuzzy function button for 3 seconds to deactivate eco fuzzy function.

This indicator is illuminated after 6 hours when eco fuzzy is activated.

10. Freezer compartment temperature setting

Temperature setting for freezer compartment is performed here. When button no. is pressed, you may set the temperature of the freezer compartment to -18, -19, -20, -21, -22, -23 and -24 respectively.

11. Fast freeze

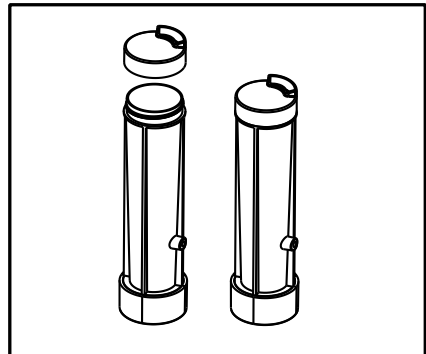
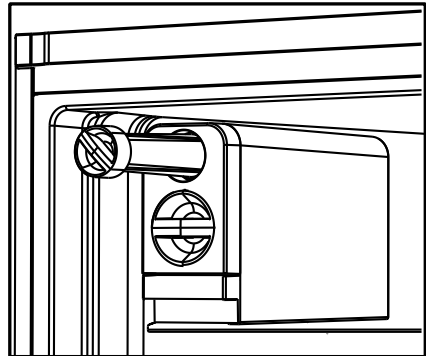
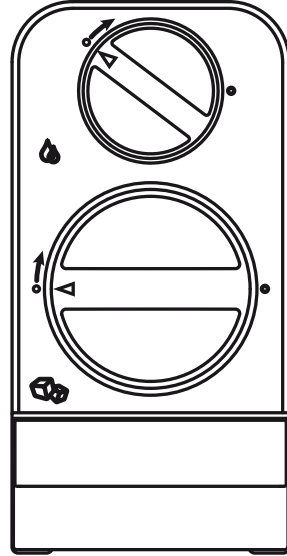
Press button no. for fast freeze operation, quick freeze indicator () shall be activated. Quick freeze indicator is illuminated when quick freeze function is activated and fridge compartment temperature indicator is displayed as -27. To cancel this function press quick freeze button () again. Quick freeze indicator will turn off and refrigerator will return to its normal settings. Quick freeze function is canceled automatically in 24 hour if you do not cancel it before. If you want to freeze large amounts of fresh food, press the quick freeze button before putting the food into the freezer compartment.

Operating the product

5.6. Twist Ice - matic

(This feature is optional)

- Remove the water tank by rotating it to the left.
- Open the water tank cover by turning it and add water to the water tank up to the lower part of the water tank cover.
- Place the water tank on its place as shown in the figure after adding water and have it seated by rotating it on the direction of the arrow. Water shall be poured down to the icebank.
- When ice has formed, rotate icebank knob in the direction of the arrow to allow that the ice is dropped down to the ice drawer.
- Take the ice cubes by pulling ice drawer out.
- Pull the front face towards you in order to wash the icebank, and put it on the slides on the interior area and push it to its place in order to replace it.
- Pull the twist icematic unit towards you in order to remove the unit, and put it on the slides on the ceiling and push it to its place in order to replace it.



Operating the product

5.7. Ice container

- Remove the ice container from the freezer compartment.
- Fill the ice container with water.
- Place the ice container in the freezer compartment. About two hours later, the ice is ready.
- Remove the ice container from the freezer compartment and bend it over the service plate. Ice cubes will easily fall down to the service plate.

5.8. Egg holder

You can install the egg holder to the desired door or body shelf. If it will be placed on body shelves than the lower cooler shelves are recommended.

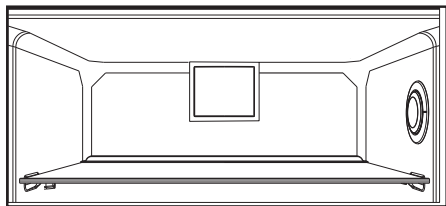


Never place the egg holder in the freezer compartment

5.9. Fan

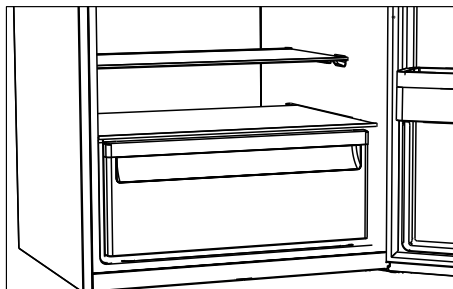
Fan is designed to ensure homogeneous distribution and circulation of the cold air inside your refrigerator. Operation time of the fan may vary depending on the properties of your product.

While the fan works only with the compressor in some products, the control system determines its operation time in some products in accordance with the cooling requirement.



5.10. Crisper

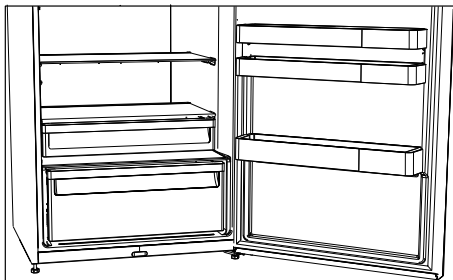
Crisper of the product is designed specially to keep the vegetables fresh without losing their humidity. For this purpose, cool air circulation is intensified around the crisper in general.



5.11. Chiller compartment

(This feature is optional)

Use this compartment to store delicatessen that shall be stored in a lower temperature or meat products that you will consume in a short time. Chiller compartment is the coolest place in your refrigerator where you can keep dairy products, meat, fish and poultry under ideal storage conditions. Fruits and vegetables should not be stored in this compartment.



Operating the product

5.12. Moving door shelf

(This feature is optional)

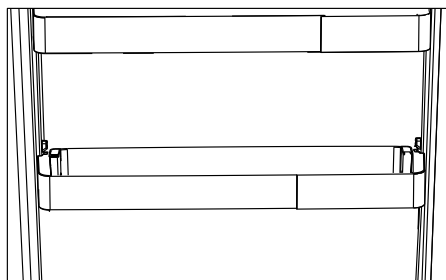
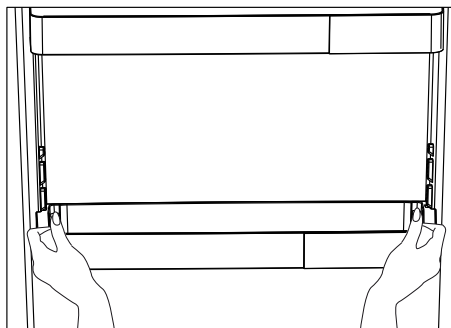
Moving door shelf may be fixed in 3 different positions.

Press the buttons shown in the sides at the same amount in order to move the shelf. Shelf shall be movable.

Move the shelf up or down.

Release the buttons when you have the shelf in the desired position.

Shelf shall be fixed on the position where you release the buttons.

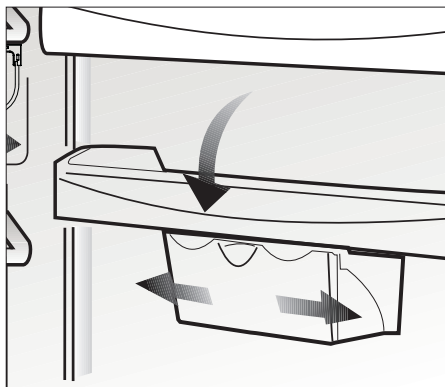


5.13. Sliding storage container

(This feature is optional)

This accessory is designed to increase the usable volume of the door shelves.

It allows you to easily place the tall bottles, jars and tins to the lower bottle shelf thanks to its ability to move right or left.



5.14. Blue light

(This feature is optional)

This accessory is designed to increase the usable volume of the door shelves.

It allows you to easily place the tall bottles, jars and tins to the lower bottle shelf thanks to its ability to move right or left.

Operating the product

5.15. Humidity controlled crisper

(FreSHelf)

(This feature is optional)

Humidity rates of the vegetables and fruit are kept under control with the feature of humidity-controlled crisper and the food is ensured to stay fresh for longer.

We recommend you to place the leafy vegetables such as lettuce, spinach and the vegetables which are sensitive to humidity loss, in a horizontal manner as much as possible inside the crisper, not on their roots in a vertical position.

While the vegetables are being placed, specific gravity of the vegetables should be taken into consideration. Heavy and hard vegetables should be put at the bottom of the crisper and the lightweight and soft vegetables should be placed over.

Never leave the vegetables inside the crisper in their bags. If the vegetables are left inside their bags, this will cause them to decompose in a short period of time. In case contacting with other vegetables is not preferred for hygiene concerns, use a perforated paper and other similar packaging materials instead of a bag.

Do not place together the pear, apricot, peach, etc. and apple in particular which have a high level of generation of ethylene gas in the same crisper with the other vegetables and fruit. The ethylene gas which is emitted by these fruit may cause the other fruit to ripen faster and decompose in a shorter time.

5.16. Auto Icematic

(This feature is optional)

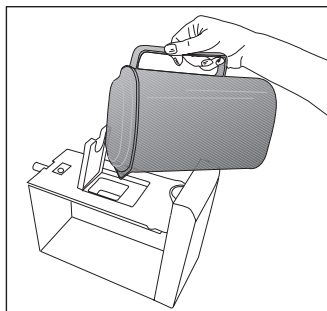
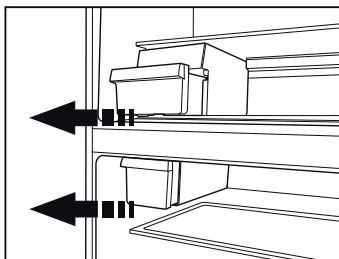
The Auto Icematic allows you to make ice in the fridge easily. Remove the water tank in the fridge compartment, fill it with water and install it back to obtain ice from the Icematic.

First ice cubes will be ready in approximately 2 hours in the Icematic drawer located in the freezer compartment.

If you fill the water tank completely, you will be able to obtain approximately 60-70 ice cubes. Change the water in water tank if it has waited around 2-3 weeks.



For the products having automatic Icematic, sound may be heard during ice pouring. This sound is normal and does not signal any error.



Operating the product

5.17. Description and cleaning of odor filter

(This feature is optional)

Odor filter prevents unpleasant odor build-up in your product.

1. Pull the cover into which the odor filter is installed downwards from the front section and remove as illustrated.
2. Leave the filter under sunlight for one day. Filter will be cleaned during this time.
3. Install the filter back to its place.



Odor filter must be cleaned once in a year.

5.18. HerbBox/ HerbFresh

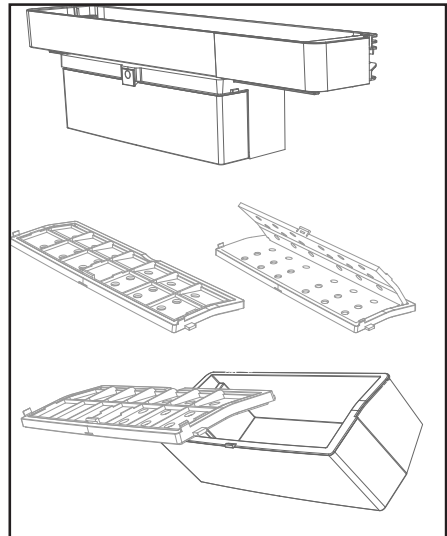
Remove the film container from HerbBox/HerbFresh+

Take the film out of the bag and put it into the film container as shown in the image.

Seal the container again and replace it into HerbBox/HerbFresh+ unit.

HerbBox-HerbFresh+ sections are especially ideal for storage of various herbs that are supposed to be kept in delicate conditions. You can store your unbagged herbs (parsley, dill, etc.) in this section horizontally and keep them fresh for a much longer period.

The film shall be replaced in every six months.



Operating the product

5.19. Using the water dispenser

***optional**



It is normal for the first few glasses of water taken from the dispenser to be warm.

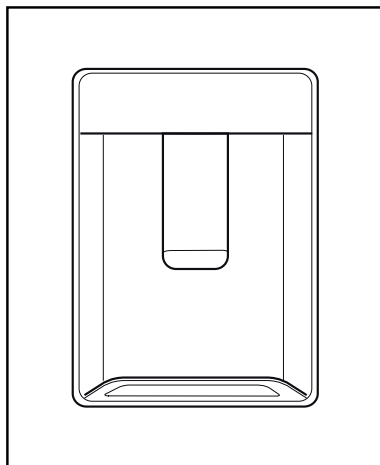


If the water dispenser is not used for a long period of time, dispose of first few glasses of water to obtain fresh water.

1. Push in the lever of the water dispenser with your glass. If you are using a soft plastic cup, pushing the lever with your hand will be easier.
2. After filling the cup up to the level you want, release the lever.



Please note, how much water flows from the dispenser depends on how far you depress the lever. As the level of water in your cup / glass rises, gently reduce the amount of pressure on the lever to avoid overflow. If you slightly press the arm, the water will drip; this is quite normal and not a failure.



5.20. Using the water dispenser

***optional**



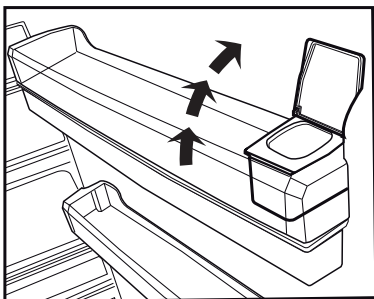
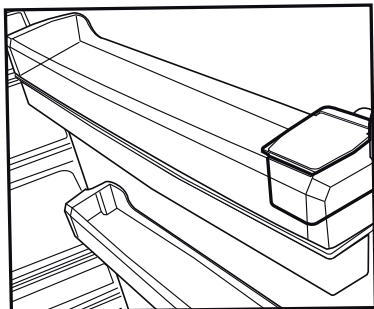
It is normal for the first few glasses of water taken from the dispenser to be warm.



If the water dispenser is not used for a long period of time, dispose of first few glasses of water to obtain fresh water.

1. Push in the lever of the water dispenser with your glass. If you are using a soft plastic cup, pushing the lever with your hand will be easier.
2. After filling the cup up to the level you want, release the lever.

Operating the product



Please note, how much water flows from the dispenser depends on how far you depress the lever. As the level of water in your cup / glass rises, gently reduce the amount of pressure on the lever to avoid overflow. If you slightly press the arm, the water will drip; this is quite normal and not a failure.

5.21. Filling the water dispenser's tank

Water tank filling reservoir is located inside the door rack.

1. Open the cover of the tank.
2. Fill the tank with fresh drinking water.
3. Close the cover.



Do not fill the water tank with any other liquid except for water such as fruit juices, carbonated beverages or alcoholic drinks which are not suitable to use in the water dispenser. Water dispenser will be irreparably damaged if these kinds of liquids are used. Warranty does not cover such usages. Some chemical substances and additives contained in these kinds of drinks/liquids may damage the water tank.



Use clean drinking water only.



Capacity of the water tank is 3 litres; do not overfill.

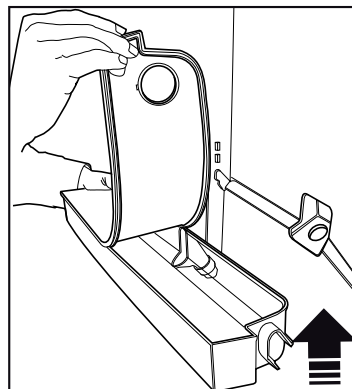
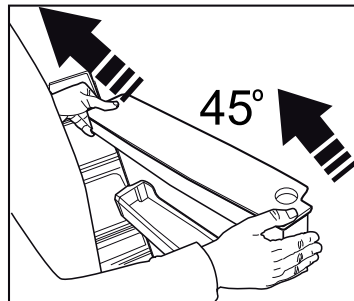
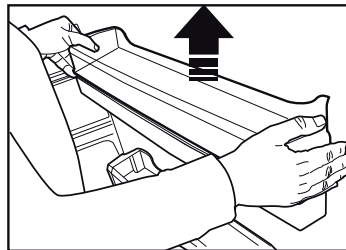
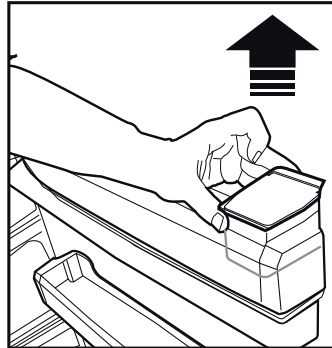
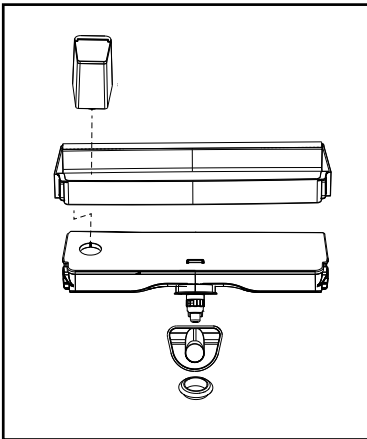
Operating the product

5.22. Cleaning the water tank

1. Remove the water filling reservoir inside the door rack.
2. Remove the door rack by holding from both sides.
3. Grab the water tank from both sides and remove it with an angle of 45°.
4. Remove the cover of the water tank and clean the tank.



Components of the water tank and water dispenser should not be washed in dishwasher.



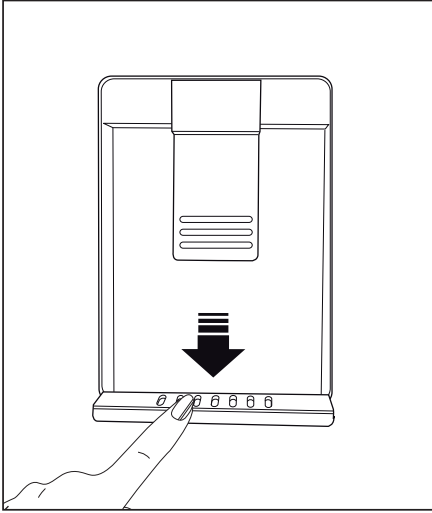
Operating the product

5.23. Drip tray

Water that dripped while using the water dispenser accumulates in the spillage tray.

Remove the plastic filter as shown in the figure.

With a clean and dry cloth, remove the water that has accumulated.



Operating the product

5.24. Freezing fresh food

- In order to preserve the quality of the food, it shall be frozen as quickly as possible when it is placed in the freezer compartment, use the fast freezing feature for this purpose.
- You may store the food longer in freezer compartment when you freeze them while they are fresh.
- Pack the food to be frozen and close the packing so that it would not allow entrance of air.
- Ensure that you pack your food before putting them in the freezer. Use freezer containers, foils and moisture-proof papers, plastic bags and other packing materials instead of traditional packing papers.
- Label each pack of food by adding the date before freezing. You may distinguish the freshness of each food pack in this way when you open your freezer each time. Store the food frozen before in the front side of compartment to ensure that they are used first.



The freezer compartment defrosts automatically.

- Frozen food must be used immediately after they are thawed and they should not be re-frozen.
- Do not freeze too large quantities of food at one time.

Freezer Compartment Setting	Fridge compartment Setting	Remarks
-18°C	4°C	This is the normal recommended setting.
-20,-22 or -24°C	4°C	These settings are recommended when the ambient temperature exceeds 30°C.
Quick Freeze	4°C	Use when you wish to freeze your food in a short time. Your product will return to its previous mode when the process is over.
-18°C or colder	2°C	Use these settings if you think that your fridge compartment is not cold enough because of the hot ambient conditions or frequent opening and closing of the door.

Operating the product

5.25. Recommendations for preserving the frozen food

Compartment shall be set to -18°C at least.

1. Put packages in the freezer as quickly as possible after purchase without allowing the to thaw.
2. Check whether the "Use By" and "Best Before" dates on the packaging are expired or not before freezing it.
3. Ensure that the package of the food is not damaged.

5.26. Deep-freeze information

According to IEC 62552 standards, the product shall freeze at least 4.5 kg of food at 25°C ambient temperature to -18°C or lower within 24 hours for every 100-litres of freezer volume. It is possible to preserve the food for a long time only at -18°C or lower temperatures.

You can keep the freshness of food for many months (at -18°C or lower temperatures in the deep freeze). Foods to be frozen should not be allowed to come in contact with the previously frozen items to prevent them from getting thawed partially.

Boil the vegetables and drain their water in order to store vegetables for a longer time as frozen. After draining their water, put them in air-proof packages and place them inside the freezer. Food such as bananas, tomatoes, lettuce, celery, boiled eggs, potatoes are not suitable for freezing. When these foods are frozen, only their nutritional value and taste shall be affected negatively. They shall not be spoiled so that they would create a risk for human health.

5.27. Placing the food

Freezer compartment shelves	Various frozen food such as meat, fish, ice cream, vegetables and etc.
Refrigerator compartment shelves	Food in pans, covered plates and closed containers, eggs (in closed container)
Door shelves of fridge compartment	Small and packaged food or beverage
Crisper	Vegetables and fruits
Fresh zone compartment	Delicatessen (breakfast food, meat products that shall be consumed in a short time)

Operating the product

5.28. Door open warning

(This feature is optional)

Door open warning is given to user both visually and acoustically. If the warning continues for 10 minutes, interior lights will be turned off.

5.29. Changing the door opening direction

Door opening direction of your refrigerator can be changed according to the place you are using it. If this is necessary, please call your nearest Authorized Service.

Above description is a general expression. For information on changing the opening direction of the door, you must refer to the warning label located on the inner side of the door.

5.30. Illumination lamp

LED lamps are used as illumination lamps. Contact authorized service in case of any problem with this type of light.

The lamp(s) used in this appliance is not suitable for household room illumination. The intended purpose of this lamp is to assist the user to place foodstuffs in the refrigerator/freezer in a safe and comfortable way.

Service life of the product is increase if it is regularly cleaned



WARNING: First unplug the product before cleaning your refrigerator.

- Never use any sharp and abrasive tools, soap, household cleaners, detergent and wax polish for cleaning.
- Dissolve one teaspoon of carbonate in half liter of water. Soak a cloth with the solution and wrung it thoroughly. Wipe the interior of the appliance with this cloth and the dry thoroughly.
- Make sure that no water enters the lamp housing and other electrical items.
- Clean the door with a damp cloth. To remove door and body shelves, remove all of its contents. Remove door shelves by moving them upwards. After cleaning, slide them from top to bottom to install.
- Never use cleaning agents or water that contain chlorine to clean the outer surfaces and chromium coated parts of the product. Chlorine causes corrosion on such metal surfaces.
- Do not use sharp, abrasive tools, soap, household cleaning agents, detergents, kerosene, fuel oil, varnish etc. to prevent removal and deformation of the prints on the plastic part. Use lukewarm water and a soft cloth for cleaning and then wipe it dry.

6.1. Avoiding bad odors

Materials that may cause odor are not used in the production of our appliances. However, due to inappropriate food preserving conditions and not cleaning the inner surface of the appliance as required can bring forth the problem of odor.

Therefore, clean the refrigerator with carbonate dissolved in water every 15 days.

- Keep the food in closed containers. Microorganisms spreading out from uncovered containers can cause unpleasant odours.
- Never keep the food that have expired best before dates and spoiled in the refrigerator.

6.2. Protecting the plastic surfaces

Clean with arm water immediately as the oil may cause damage on the surface when it is poured on plastic surfaces.

6.3. Door Glasses

Remove the protective foil on the glasses.

There is a coating on the surface of the glasses. This coating minimizes the stain build-up and helps to remove the possible stains and dirt easily. Glasses that are not protected with such a coating may be subject to persistent binding of air or water based organic or inorganic dirt such as limescale, mineral salts, unburned hydrocarbons, metal oxides and silicones that can easily and quickly cause stains or material damage. Keeping the glass clean becomes too difficult despite the regular cleaning. Consequently, the appearance and the transparency of the glass deteriorates. Harsh and corrosive cleaning methods and compounds will intensify these defects and speed up the deterioration process.

Water-based cleaning products that are not alkaline and corrosive must be used for regular cleaning purposes.

Non-alkaline and non-corrosive materials must be used for cleaning so that the

service life of this coating lasts for a long time.

These glasses are tempered to increase their durability against impacts and breaking. A safety film is also applied to their rear surfaces as an extra safety measure in order to prevent them from causing damage to their surrounding in case of a breakage.

*Alkali is a base that forms hydroxide ions (OH^-) when it is dissolved in water. Li (Lithium), Na (Sodium), K (Potassium) Rb (Rubidium), Cs (Cesium) and artificial and radioactive Fr (Francium) metals are called ALKALI METALS.

7 Troubleshooting

Check this list before contacting the service. Doing so will save you time and money. This list includes frequent complaints that are not related to faulty workmanship or materials. Certain features mentioned herein may not apply to your product.

The refrigerator is not working.

- The power plug is not fully settled. >>> Plug it in to settle completely into the socket.
- The fuse connected to the socket powering the product or the main fuse is blown. >>> Check the fuses.

Condensation on the side wall of the cooler compartment (MULTI ZONE, COOL, CONTROL and FLEXI ZONE).

- The door is opened too frequently >>> Take care not to open the product's door too frequently.
- The environment is too humid. >>> Do not install the product in humid environments.
- Foods containing liquids are kept in unsealed holders. >>> Keep the foods containing liquids in sealed holders.
- The product's door is left open. >>> Do not keep the product's door open for long periods.
- The thermostat is set to too low temperature. >>> Set the thermostat to appropriate temperature.

Compressor is not working.

- In case of sudden power failure or pulling the power plug off and putting back on, the gas pressure in the product's cooling system is not balanced, which triggers the compressor thermic safeguard. The product will restart after approximately 6 minutes. If the product does not restart after this period, contact the service.
- Defrosting is active. >>> This is normal for a fully-automatic defrosting product. The defrosting is carried out periodically.
- The product is not plugged in. >>> Make sure the power cord is plugged in.
- The temperature setting is incorrect. >>> Select the appropriate temperature setting.

- The power is out. >>> The product will continue to operate normally once the power is restored.

The refrigerator's operating noise is increasing while in use.

- The product's operating performance may vary depending on the ambient temperature variations. This is normal and not a malfunction.

The refrigerator runs too often or for too long.

- The new product may be larger than the previous one. Larger products will run for longer periods.
- The room temperature may be high. >>> The product will normally run for long periods in higher room temperature.
- The product may have been recently plugged in or a new food item is placed inside. >>> The product will take longer to reach the set temperature when recently plugged in or a new food item is placed inside. This is normal.
- Large quantities of hot food may have been recently placed into the product. >>> Do not place hot food into the product.
- The doors were opened frequently or kept open for long periods. >>> The warm air moving inside will cause the product to run longer. Do not open the doors too frequently.
- The freezer or cooler door may be ajar. >>> Check that the doors are fully closed.
- The product may be set to temperature too low. >>> Set the temperature to a higher degree and wait for the product to reach the adjusted temperature.
- The cooler or freezer door washer may be dirty, worn out, broken or not properly settled. >>> Clean or replace the washer. Damaged / torn door washer will cause the product to run for longer periods to preserve the current temperature.

The freezer temperature is very low, but the cooler temperature is adequate.

- The freezer compartment temperature is set to a very low degree. >>> Set the freezer compartment temperature to a higher degree and check again.

Troubleshooting

The cooler temperature is very low, but the freezer temperature is adequate.

- The cooler compartment temperature is set to a very low degree. >>> Set the freezer compartment temperature to a higher degree and check again.

The food items kept in cooler compartment drawers are frozen.

- The cooler compartment temperature is set to a very low degree. >>> Set the freezer compartment temperature to a higher degree and check again.

The temperature in the cooler or the freezer is too high.

- The cooler compartment temperature is set to a very high degree. >>> Temperature setting of the cooler compartment has an effect on the temperature in the freezer compartment. Wait until the temperature of relevant parts reach the sufficient level by changing the temperature of cooler or freezer compartments.
- The doors were opened frequently or kept open for long periods. >>> Do not open the doors too frequently.
- The door may be ajar. >>> Fully close the door.
- The product may have been recently plugged in or a new food item is placed inside. >>> This is normal. The product will take longer to reach the set temperature when recently plugged in or a new food item is placed inside.
- Large quantities of hot food may have been recently placed into the product. >>> Do not place hot food into the product.

Shaking or noise.

- The ground is not level or durable. >>> If the product is shaking when moved slowly, adjust the stands to balance the product. Also make sure the ground is sufficiently durable to bear the product.
- Any items placed on the product may cause noise. >>> Remove any items placed on the product.

The product is making noise of liquid flowing, spraying etc.

- The product's operating principles involve liquid and gas flows. >>> This is normal and not a malfunction.

There is sound of wind blowing coming from the product.

- The product uses a fan for the cooling process. This is normal and not a malfunction.

There is condensation on the product's internal walls.

- Hot or humid weather will increase icing and condensation. This is normal and not a malfunction.
- The doors were opened frequently or kept open for long periods. >>> Do not open the doors too frequently; if open, close the door.
- The door may be ajar. >>> Fully close the door.

There is condensation on the product's exterior or between the doors.

- The ambient weather may be humid, this is quite normal in humid weather. >>> The condensation will dissipate when the humidity is reduced.

The interior smells bad.

- The product is not cleaned regularly. >>> Clean the interior regularly using sponge, warm water and carbonated water.
- Certain holders and packaging materials may cause odour. >>> Use holders and packaging materials without free of odour.
- The foods were placed in unsealed holders. >>> Keep the foods in sealed holders. Micro-organisms may spread out of unsealed food items and cause malodour. Remove any expired or spoilt foods from the product.

The door is not closing.

- Food packages may be blocking the door. >>> Relocate any items blocking the doors.
- The product is not standing in full upright position on the ground. >>> Adjust the stands to balance the product.
- The ground is not level or durable. >>> Make sure the ground is level and sufficiently durable to bear the product.

Troubleshooting

The vegetable bin is jammed.

- The food items may be in contact with the upper section of the drawer. >>> Reorganize the food items in the drawer.

If The Surface Of The Product Is Hot.

- High temperatures may be observed between the two doors, on the side panels and at the rear grill while the product is operating. This is normal and does not require service maintenance! Be careful when touching these areas.

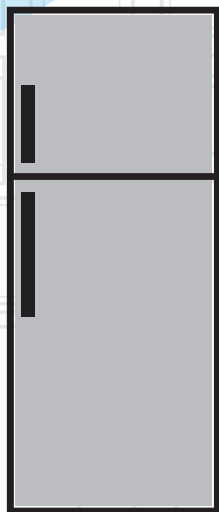


WARNING:

If the problem persists after following the instructions in this section, contact your vendor or an Authorised Service. Do not try to repair the product.

Refrigerador

Manual del usuario



ES |

beko

Lea este manual de usuario antes de utilizar el aparato.

Estimado cliente:

Esperamos que este aparato, que ha sido fabricado en plantas dotadas de la más avanzada tecnología y sometido a los más estrictos procedimientos de control de calidad, le preste un servicio eficaz.

Por lo tanto, lea detenidamente este manual de instrucciones antes de utilizar el aparato y guardar el manual como referencia. Si entrega el aparato a otro propietario, no olvide incluir el manual de usuario.

El manual del usuario le ayudará a usar el aparato de manera rápida y segura.

- Lea el manual antes de instalar y poner en funcionamiento el aparato.
- Asegúrese de haber leído las instrucciones de seguridad.
- Conserve el manual en un sitio de fácil acceso, ya que podría necesitarlo en el futuro.
- Lea los otros documentos incluidos con el producto.

Recuerde que este manual de usuario también es aplicable a otros modelos. Las diferencias entre los modelos se identificarán en el manual.

Explicación de los símbolos

En este manual se utilizan los siguientes símbolos:

	Información importante o consejos de utilidad.
	Existe un riesgo de lesiones y de daños a la propiedad.
	Existe riesgo de descargas eléctricas.
	El embalaje del aparato se fabrica con materiales reciclables, de acuerdo con nuestro Reglamento Nacional sobre Medio Ambiente.

Contenidos

1. Instrucciones de seguridad y medio ambiente 3

- 1.1. Seguridad general 3
- 1.1.2 Para los modelos con dispensador de agua..... 6
- 1.2. Uso previsto 6
- 1.3. Seguridad para niños 6
- 1.4. En cumplimiento de la Directiva RAEE, y la eliminación del aparato 6
- 1.5. En cumplimiento de la Directiva RoHS 7
- 1.6. Información sobre el paquete ... 7

2 Familiarizarse con el electrodoméstico 8

3 Instalación 9

- 3.1. Ubicación adecuada para la instalación 9
- 3.2. Instalación de las cuñas de plástico 9
- 3.3. Ajuste de los pies 10
- 3.4. Conexión eléctrica 10
- 3.5. Inversión de las puertas 11
- 3.6. Inversión de las puertas 12

4 Preparación 13

- 4.1. Consejos para el ahorro de energía 13
- 4.2. Uso inicial 13

5 Manejo del aparato 15

- 5.1. Botón de ajuste de la temperatura 15
- 5.2. Congelación rápida 15
- 5.3. Función de vacaciones 16
- 5.4. Panel indicador 17
- 5.5. Panel indicador 21
- 5.6. Twist Ice - matic 26
- 5.7. Huevera 27
- 5.8. Ventilador 27
- 5.9. Cajón de frutas y verduras 27

- 5.10. Compartimento de enfriamiento 27
- 5.11. Mover el estante de la puerta .. 28
- 5.12. Contenedor de almacenamiento deslizable 28
- 5.13. Luz azul 28
- 5.14. Icematic automático 29
- 5.15. Compartimento para verduras con control de humedad 29
- 5.16. Descripción y limpieza del filtro antiolores 30
- 5.17. Uso del dispensador de agua 31
- 5.18. Uso del dispensador de agua 31
- 5.19. Llenar el depósito del dispensador de agua 32
- 5.20. Limpieza del depósito de agua 33
- 5.21. Bandeja de goteo 34
- 5.22. HerbBox/HerbFresh (Cajón para hierbas/Hierbas frescas) .. 34
- 5.23. Congelación de alimentos frescos 35
- 5.24. Recomendaciones para la conservación de alimentos congelados 36
- 5.25. Información sobre la congelación 36
- 5.26. Colocar los alimentos 36
- 5.27. Aviso de puerta abierta 37
- 5.28. Cambio de la dirección de apertura de la puerta 37
- 5.29. Lámpara de iluminación 37

6 Mantenimiento y limpieza 38

- 6.1. Cómo evitar malos olores 38
- 6.2. Protección de las superficies de plástico 38
- 6.3. Vidrios de las puertas 39

7 Resolución de problemas 40

1. Instrucciones de seguridad y medio ambiente

Esta sección proporciona las instrucciones de seguridad necesarias para evitar el riesgo de lesión y daños materiales. El incumplimiento de estas instrucciones puede invalidar cualquier tipo de garantía del aparato.

Finalidad prevista

	ADVERTENCIA: Asegúrese de que cuando el dispositivo está en su custodia o durante su montaje en el alojamiento, los orificios de ventilación no están cerrados.
	ADVERTENCIA: Con el fin de acelerar la operación de derretimiento del hielo, no utilice cualquier dispositivo o aparato mecánico que no es recomendado por el fabricante
	ADVERTENCIA: No dañe el circuito de fluido refrigerante.
	ADVERTENCIA: No utilice dispositivos eléctricos que no estén recomendados por el fabricante en los compartimentos del dispositivo para la conservación de alimentos.

Este dispositivo está diseñado para ser utilizado en el hogar o

en las siguientes aplicaciones similares:

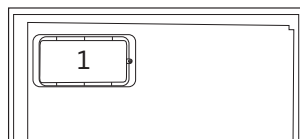
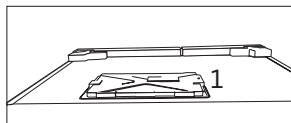
- Con el fin de ser utilizado en las cocinas para el personal de las tiendas, oficinas y otros lugares de trabajo;
- Con el fin de ser utilizado por los clientes en casas de campo y hoteles, moteles y otros lugares de alojamiento;
- en entornos tales pensiones;
- en lugares similares que no ofrecen servicios de restauración y no es al por menor.

1.1. Seguridad general

- Este aparato no debe ser utilizado por personas con discapacidades físicas, sensoriales y mentales, sin el conocimiento y la experiencia suficiente o por los niños. El aparato solo puede ser utilizado por estas personas bajo la supervisión y la instrucción de una persona responsable de su seguridad. A los niños no se les debe permitir jugar con este dispositivo.
- En caso de mal funcionamiento, desconecte el dispositivo.
- Después de desconectar, espere por lo menos 5 minutos antes de conectar de nuevo. Desenchufe el aparato cuando no esté en uso. ¡No toque el enchufe con las manos mojadas! No tire del cable para enchufar para sacarlo de la toma de la pared, hágalo tomándolo de la cabeza del enchufe.

Instrucciones para la seguridad y el medio ambiente

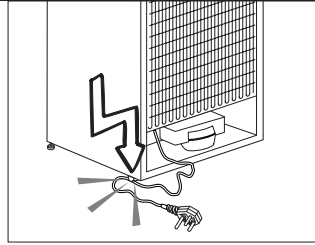
- No enchufe el refrigerador si la toma de corriente está floja.
- Desenchufe el aparato durante la instalación, el mantenimiento, limpieza y reparación.
- Si el aparato no se utiliza durante un tiempo, desenchufe el aparato y elimine cualquier alimento en el interior.
- No utilice vapor ni materiales de limpieza al vapor para la limpieza del refrigerador y el derretimiento del hielo en el interior. ¡El vapor podría contactar las zonas electrificadas y causar un cortocircuito o una descarga eléctrica!
- ¡No lave el aparato rociando ni vertiendo agua sobre él!
¡Riesgo de descarga eléctrica!
- Nunca utilice el producto si la sección situada en la parte superior o posterior del producto que tiene las placas de circuitos impresos electrónicos en el interior está abierta (cubierta de la placa del circuito electrónico impreso) (1).



- En caso de mal funcionamiento, no utilice el aparato, ya que puede causar una descarga eléctrica. Póngase en contacto con el servicio técnico autorizado antes de hacer cualquier cosa.
- Conecte el aparato a una toma de tierra. La puesta a tierra debe ser realizada por un electricista calificado.
- Si el aparato tiene un LED de iluminación y requiere sustituirlo, póngase en contacto con el servicio técnico autorizado para sustituirlo o en caso de cualquier problema.
- ¡No toque la comida congelada con las manos mojadas! ¡Se podría adherir a sus manos!
- No coloque líquidos en botellas ni latas en el compartimento del congelador. ¡Podrían estallar!
- Coloque los líquidos en posición vertical después cerrar bien la tapa.

Instrucciones para la seguridad y el medio ambiente

- No rocíe sustancias inflamables cerca del aparato, ya que podría quemarse o explotar.
- No guarde materiales ni aparatos con gases inflamables (sprays, etc.) en el refrigerador.
- No ponga recipientes que contengan líquido encima del aparato. Salpicar agua en una parte electrificada podría provocar descargas eléctricas y riesgos de incendio.
- La exposición del aparato a la lluvia, la nieve, la luz directa del sol y el viento causarán un peligro eléctrico. Cuando traslade el aparato, no tire sujetando la manija de la puerta. El mango se podría salir.
- Tenga cuidado de no atrapar ninguna parte de sus manos o de su cuerpo en cualquiera de las partes móviles en el interior del aparato.
- No se pare ni se apoye en las puertas, cajones y partes similares de la nevera. Esto causará que el aparato se caiga hacia y dañe sus partes.
- Tenga cuidado de no tropezar con el cable de alimentación.



1.1.1 Aviso HC

Si el aparato dispone de un sistema de refrigeración que utilizan gas R600a, tenga cuidado de no dañar el sistema de refrigeración y su tubería mientras se utiliza o mueva el aparato. Este gas es inflamable. Si el sistema de refrigeración está dañado, mantenga el aparato alejado de fuentes de incendio y ventile la habitación inmediatamente.



La etiqueta en la parte interior izquierda indica el tipo de gas utilizado en el aparato.

1.1.2 Para los modelos con dispensador de agua

- La presión en la entrada de agua fría sera a un máximo de 90 psi (620 kPa). Si la presión del agua es superior a 80 psi (550 kPa), utilice una válvula limitadora de presión en el sistema de red. Si usted no sabe cómo controlar la presión del agua, pida la ayuda de un

Instrucciones para la seguridad y el medio ambiente

plomero profesional. Si hay riesgo de golpe de ariete en la instalación, siempre utilice un equipo de prevención contra golpes de ariete en la instalación. Consulte a un fontanero profesional si no está seguro de que no hay un efecto del golpe de ariete en la instalación.

- No instale en la entrada de agua caliente. Tome precauciones contra el riesgo de congelación en las mangueras. El intervalo de funcionamiento de la temperatura del agua debe ser un mínimo de 33°F (0.6°C) y un máximo de 100°F (38°C).
- Solo use agua potable apta para beber.

1.2. Uso previsto

- Este aparato está diseñado para uso en el hogar. No es adecuado para un uso comercial.
- El aparato debe utilizarse para solamente para almacenar alimentos y bebidas.
- No guarde aparatos sensibles que requieran temperatura controlada (vacunas, medicamentos sensibles al calor, equipos médicos, etc.) en el refrigerador.
- El fabricante no asume ninguna responsabilidad por los daños debidos al mal uso o mal manejo.

- Se proporcionarán piezas de recambio originales durante 10 años, después de la fecha de compra del producto.

1.3. Seguridad para niños

- Guarde los materiales de embalaje fuera del alcance de los niños.
- A los niños no se les debe permitir jugar con el aparato.
- Si la puerta del aparato usa una cerradura, guarde la llave fuera del alcance de los niños.

1.4. En cumplimiento de la Directiva RAEE, y la eliminación del aparato

Este aparato cumple con la Directiva WEEE (RAEE) de la UE (2012/19/EU). Este aparato lleva el símbolo de clasificación de los equipos eléctricos y electrónicos (WEEE/RAEE).



Este aparato ha sido fabricado con piezas y materiales de alta calidad que pueden ser reutilizados y son aptos para el reciclaje. No deseche el aparato de junto con los desechos

domésticos normales al final de su vida útil. Llévelo al centro de recolección para reciclaje de aparatos eléctricos y electrónicos. Consulte a las autoridades locales para obtener información acerca de estos centros de acopio.

Instrucciones para la seguridad y el medio ambiente

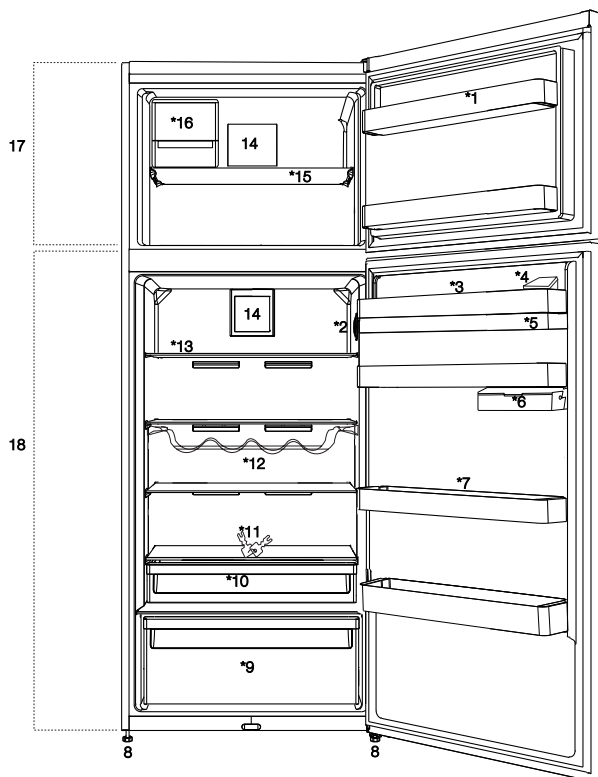
1.5. En cumplimiento de la Directiva RoHS

- El producto que ha adquirido es conforme con la directiva de la UE sobre la restricción de sustancias peligrosas (RoHS) (2011/65/UE). No contiene ninguno de los materiales nocivos o prohibidos especificados en la directiva.

1.6. Información sobre el paquete

- Los materiales de embalaje del aparato son fabricados a partir de materiales reciclables, de acuerdo con nuestra Reglamentación Nacional para el Medio Ambiente. No se deshaga de los materiales de embalaje junto con los desechos domésticos o de otro tipo. Llévelos a los puntos de recolección de material de embalaje designados por las autoridades locales.

2 Familiarizarse con el electrodoméstico



1. Estante de la puerta del compartimento congelador
2. Botón de ajuste de la temperatura
3. Contenedor de llenado del dispensador de agua
4. Huevera
5. Depósito del dispensador de agua
6. Contenedor de almacenamiento bajo el estante de la puerta
7. Estante móvil
8. Pies ajustables
9. Cajón de frutas y verduras
10. Compartimento de enfriamiento
11. Bloqueo y tecla
12. Estante para botellas
13. Estante de vidrio del compartimento refrigerador
14. Ventilador
15. Estante del compartimento congelador
16. Compartimento de producción de cubitos
17. Compartimento congelador
18. Compartimento frigorífico



***opcional:** Las ilustraciones de este manual se proporcionan a modo de ejemplo y podrían no corresponderse exactamente con su aparato. Si determinadas partes no están presentes en el aparato que usted ha adquirido, indica que la figura corresponde a otro modelo.

3.1. Ubicación adecuada para la instalación

Contacte con un Servicio Técnico autorizado para la instalación del aparato. Para preparar el aparato para su uso, consulte la información en el manual de instrucciones y asegúrese de que la instalación eléctrica y la instalación de agua sean apropiadas. En caso contrario, llame a un electricista cualificado para la realización de los trabajos necesarios.



ADVERTENCIA: El fabricante no se hará responsable de los daños derivados de la realización de dichos procedimientos por parte de personas no autorizadas.



ADVERTENCIA: El aparato no debe estar enchufado durante la instalación. De lo contrario, ¡podría sufrir lesiones graves o mortales!.



ADVERTENCIA: Si el espacio de la puerta de la estancia donde vaya a colocar el producto es ajustado que impide el paso del aparato, retire la puerta de la habitación girándola hacia a un lado. Si no funciona, contacte con un servicio técnico autorizado.

- Coloque el aparato sobre una superficie lisa para evitar sacudidas.
- Instale el aparato a una distancia no inferior de 30 cm de fuentes de calor como placas, hornos, radiadores y estufas y una distancia no inferior a 5 cm de cualquier horno eléctrico.
- No instale el aparato en estancias húmedas o expuestas a la luz solar directa.

- Para lograr un funcionamiento eficiente, el aparato debe instalarse en una zona que disponga de una ventilación adecuada. Si va a colocar el aparato en un hueco de la pared, no olvide dejar una distancia mínima de 5 cm con respecto al techo y las paredes laterales.
- No instale el aparato en lugares en donde la temperatura pueda ser inferior a -5°C.

3.2. Instalación de las cuñas de plástico

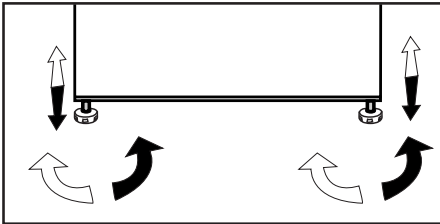
Las cuñas de plástico que vienen con el producto se utilizan para crear la distancia para la circulación del aire entre el aparato y la pared trasera.

1. Para ello, retire los tornillos del aparato y utilice los que encontrará en la bolsa de las cuñas.
2. Coloque las dos cuñas de plástico en la cubierta de ventilación trasera, como se muestra en la figura.

Instalación

3.3. Ajuste de los pies

Si el aparato no queda equilibrado tras su instalación, ajuste las patas frontales girándolos de la derecha a la izquierda.



3.4. Conexión eléctrica



ADVERTENCIA: No utilice cables de extensión ni ladrones para realizar la conexión eléctrica.



ADVERTENCIA: Deje en manos de un servicio técnico autorizado la sustitución de un cable de alimentación dañado.



En caso de que vaya a instalar dos frigoríficos uno al lado del otro, debe dejar una separación no inferior a 4 cm entre ellos.

- Nuestra empresa no se hará responsable de daños provocados por el uso del aparato sin una toma de tierra conforme a las normativas nacionales.
- Tras la instalación, el enchufe del cable de alimentación debe quedar al alcance de la mano.
- No use cables de extensión ni múltiples tomacorrientes sin cable entre el aparato y la toma de pared.



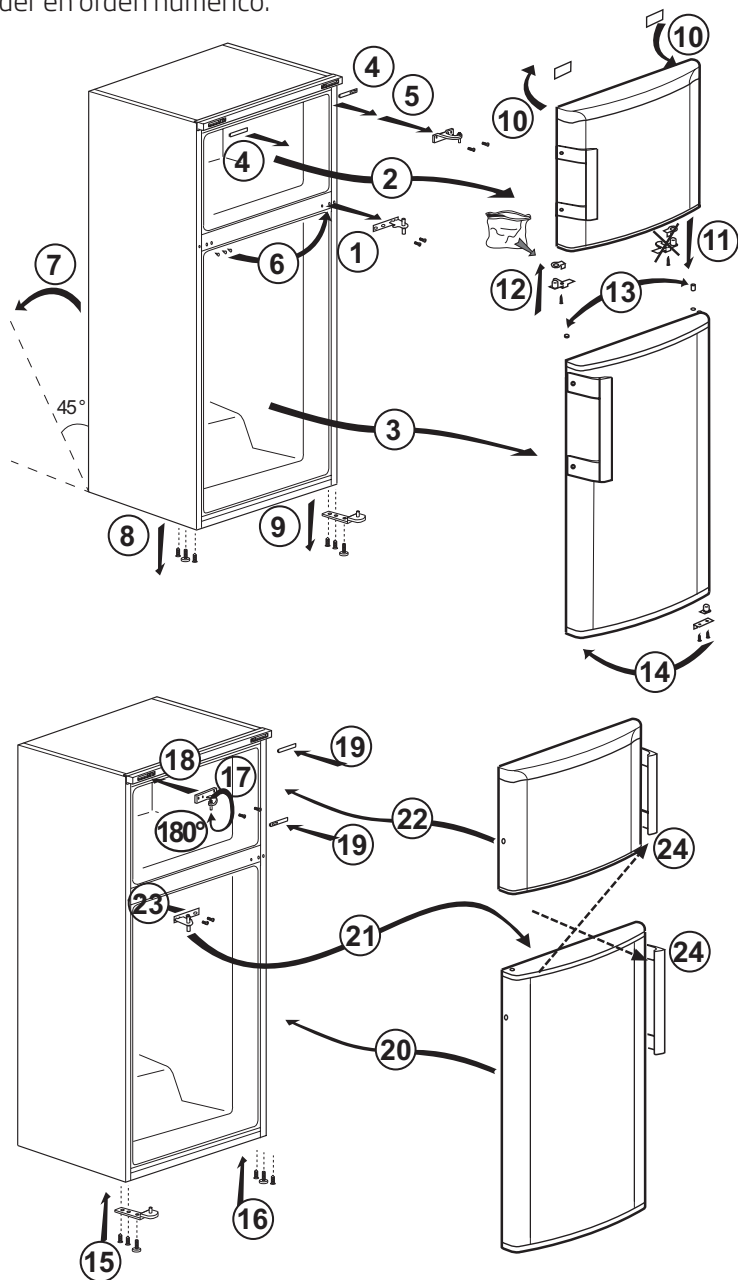
Advertencia de superficie caliente

Las paredes laterales de su producto están equipadas con tubos de refrigerante para mejorar el sistema de refrigeración. El refrigerante con altas temperaturas puede fluir a través de estas áreas, lo que resulta en superficies calientes en las paredes laterales. Esto es normal y no necesita ningún mantenimiento. Por favor, tenga cuidado al tocar estas áreas.

Instalación

3.5. Inversión de las puertas

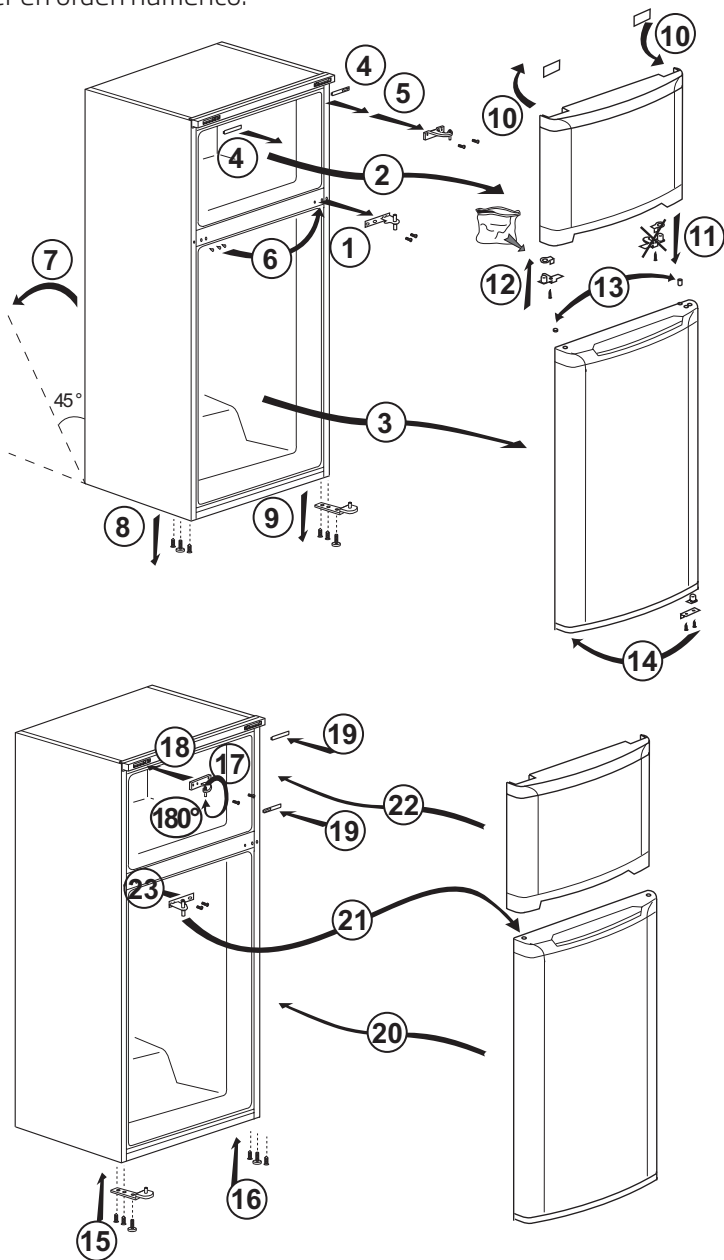
Proceder en orden numérico.



Instalación

3.6. Inversión de las puertas

Proceder en orden numérico.



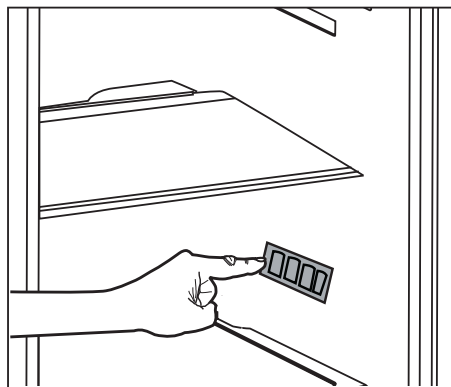
4 Preparación

4.1. Consejos para el ahorro de energía



El aparato podría sufrir daños si se conecta a sistemas de ahorro de energía, por lo que es arriesgado.

- No deje las puertas del frigorífico abiertas durante periodos largos de tiempo.
- No introduzca alimentos o bebidas calientes en el frigorífico.
- No sobrecargue el frigorífico, pues se reducirá la capacidad de enfriamiento si se obstaculiza la circulación del aire en el interior.
- Para poder almacenar la máxima cantidad de alimentos en el compartimento del congelador, debe retirar el icematic, ubicado allí y que puede ser retirado con la mano. El volumen neto y el consumo energético especificados en la placa de datos del frigorífico se miden y se prueban retirando el frigorífico. No retire los estantes de dentro del compartimento del congelador de la puerta del compartimento del congelador. Úselos siempre, pues facilitan el uso del aparato y ayudan al consumo energético eficiente.
- No bloquee el flujo de aire colocando alimentos a los lados del ventilador del compartimento del congelador. Deje una distancia mínima de 3 cm a los lados de las paredes de la cobertura de protección del ventilador.
- Use siempre los canastos/ cajones que se suministran con el compartimento del congelador para obtener un menor consumo de energía y mejores condiciones de almacenamiento.



- El contacto de los alimentos con el sensor de temperatura en el compartimento congelador puede elevar el consumo de energía del electrodoméstico. Por lo tanto, se debe evitar todo contacto con el/los sensor/es.
- Según las características del electrodoméstico, descongele alimentos congelados en el compartimento del frigorífico para obtener un ahorro energético y conservar la calidad de los alimentos.
- No deje que los alimentos entren en contacto con el sensor de temperatura del compartimento del frigorífico que aparece en la imagen de más arriba.

4.2. Uso inicial

Antes de empezar a utilizar el frigorífico, compruebe que se hayan realizado todas las preparaciones indicadas en las secciones "Instrucciones importantes sobre seguridad" e "Instalación".

- Mantenga el aparato en funcionamiento durante 6 horas sin alimentos en su interior y no abra la puerta si no es estrictamente necesario.



Se oye un ruido cada vez que el compresor se pone en funcionamiento. Los líquidos y los gases contenidos en el sistema de refrigeración pueden también generar ruidos, incluso aunque el compresor no esté funcionando, lo cual es normal.



Es posible que las aristas delanteras del aparato se noten calientes al tacto. Esto es normal. Estas zonas deben permanecer calientes para evitar la condensación.



En algunos modelos, el panel de instrumentos se apaga automáticamente 5 minutos después de que la puerta se haya cerrado. Se reactivará cuando la puerta se abra o cuando se pulse cualquier tecla.

5 Manejo del aparato

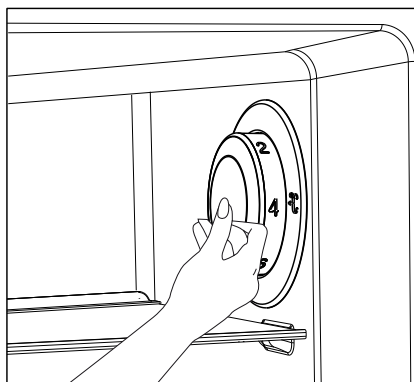
5.1. Botón de ajuste de la temperatura

La temperatura interior del frigorífico cambia debido a los siguientes motivos;

- Temperatura de la estación.
- Abrir la puerta con frecuencia y dejarla abierta durante mucho tiempo.
- Introducir en el frigorífico alimentos sin esperar que su temperatura alcance la temperatura ambiente
- La ubicación del frigorífico en la estancia (por ejemplo, que esté expuesto a la luz solar)
- Puede ajustar las variaciones de la temperatura interior debidas, por ejemplo, a la utilización del botón de ajuste.

Los números alrededor del mando de control indican los valores de temperatura en “°C”.

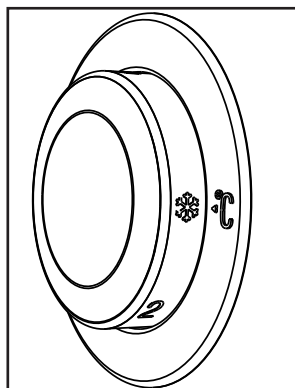
Si la temperatura ambiente es de 25°C, le recomendamos que use el mando de control del frigorífico a 4°C. Puede aumentar o disminuir este valor como sea necesario en otras temperaturas ambiente.



5.2. Congelación rápida

Si va a congelar grandes cantidades de alimentos frescos, ponga el mando de control en la posición de (❄) máx. 24 horas antes de depositar los alimentos en el compartimento de congelación rápida.

Se recomienda encarecidamente mantener el mando de control en la posición MAX durante por lo menos 24 horas para congelar la cantidad máxima de alimentos correspondiente a la capacidad de congelación. Ponga especial cuidado en no mezclar alimentos frescos y alimentos ya congelados.



***opcional:** Las ilustraciones de este manual se proporcionan a modo de ejemplo y podrían no corresponderse exactamente con su aparato. Si determinadas partes no están presentes en el aparato que usted ha adquirido, indica que la figura corresponde a otro modelo.

Funcionamiento del aparato

Recuerde volver a situar el mando del termostato en su posición previa una vez los alimentos se hayan congelado.

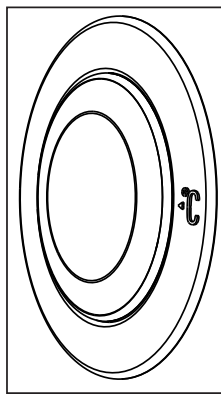
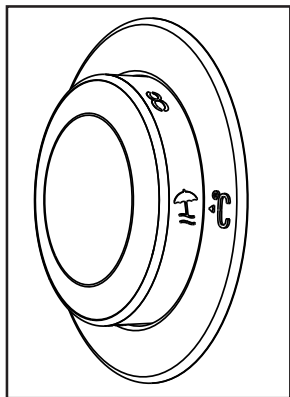
5.3. Función de vacaciones

Si las puertas del aparato no se abren durante 12 horas tras poner el termostato en la posición de máximo calor, la función de vacaciones se activará automáticamente.

Para cancelar la función, cambie los ajustes del mando.

No se recomienda almacenar alimentos en el compartimento de más frío cuando la función de vacaciones esté activa.

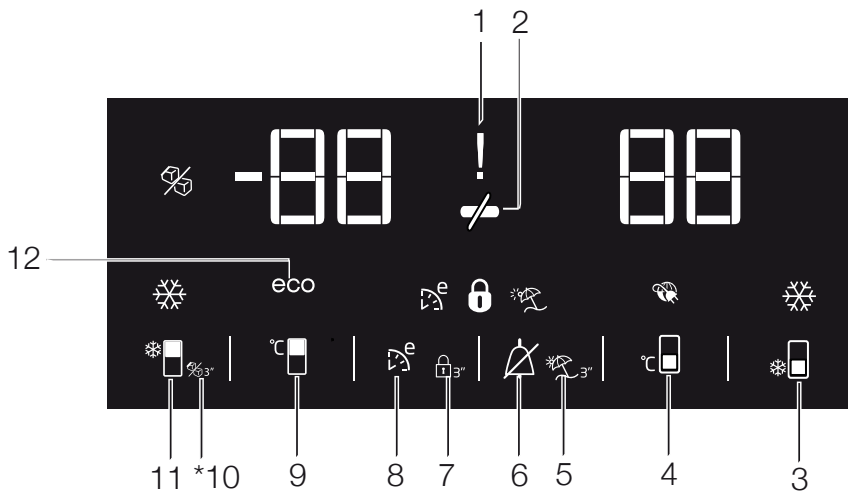
- Cuando el ajuste haya finalizado, podrá pulsar el termostato y esconderlo.



Funcionamiento del aparato

5.4. Panel indicador

El panel indicador le permite ajustar la temperatura y controlar as otras funciones relacionadas con el aparato sin abrir sus puertas. Basta con pulsar las inscripciones en los botones correspondientes para los ajustes de la función.



1. Apagón/Temperatura alta / luz de advertencia de error

Esta luz (1) se ilumina durante un apagón, fallos de alta temperatura y avisos de errores. Durante apagones prolongados, parpadeará en el visor la temperatura más alta registrada que alcance el compartimento del congelado. Después de comprobar los alimentos ubicados en el congelador (2), pulse el botón de apagado para aclarar la advertencia.

2. Función de ahorro de energía (pantalla apagada):

Si las puertas de la nevera se

mantienen cerradas durante un tiempo largo, la función de ahorro se activa automáticamente y el símbolo de ahorro de energía se ilumina. (3) Si la función de ahorro de energía está activa, todos los símbolos del visor se apagarán excepto el símbolo de energía. Cuando el modo de ahorro de energía está activo, si se pulsa cualquier botón o se abre la puerta, la función de ahorro de energía se cancelará y los símbolos en el visor volverán a su estado normal.



***opcional:** Las ilustraciones de este manual se proporcionan a modo de ejemplo y podrían no corresponderse exactamente con su aparato. Si determinadas partes no están presentes en el aparato que usted ha adquirido, indica que la figura corresponde a otro modelo.

Funcionamiento del aparato

La función de ahorro de energía se activará durante la entrega desde la batería y no se puede cancelar.

3. Función de refrigeración rápida

El botón tiene dos funciones. Pulse brevemente este botón para activar o desactivar la función de enfriamiento rápido. La luz de refrigeración rápida y el aparato volverán a su configuración habitual. (🔌)



Use la función de enfriamiento rápido cuando desee enfriar con rapidez los alimentos depositados en el compartimento frigorífico. Si desea enfriar grandes cantidades de alimentos frescos, active esta función antes de depositar los alimentos en el aparato.



Si no cancela manualmente la función, esta se cancelará automáticamente transcurridas ocho horas o bien una vez el compartimento frigorífico alcance la temperatura deseada.



Si pulsa el botón de enfriamiento rápido repetidamente a intervalos breves, se activará la protección del circuito electrónico y el compresor no se pondrá en marcha inmediatamente.



En caso de corte del fluido eléctrico, esta función no se activará automáticamente al restablecerse el suministro eléctrico.

4. Botón de ajuste de la temperatura del compartimento frigorífico

Pulse este botón para ajustar la temperatura del compartimento frigorífico a 8, 7, 6, 5, 4, 3, 2 y 8... respectivamente. Pulse este botón para ajustar la temperatura que desee para el compartimento frigorífico. (🔌)

5. Función de Vacaciones:

Para activar la función de vacaciones, pulse este botón (🌴) durante 3 segundos, y la luz del modo de vacaciones (☂️) se activará. Cuando la función de vacaciones está activa, aparece "- -" en el indicador de temperatura del compartimento frigorífico y este compartimento no enfría. Cuando esta función está activa no es adecuado conservar alimentos en el compartimento frigorífico. El resto de compartimentos seguirán refrigerados a la temperatura ajustada para ellos.


Para cancelar esta función, pulse de nuevo el botón de la **función de Vacaciones**.


6. Aviso de desconexión de la alarma:

En caso de apagón/alarma de alta temperatura, pulse el botón de desconexión de alarma (🔌) para eliminar el aviso después de comprobar los alimentos en el compartimento del congelador.

Funcionamiento del aparato


7. Bloqueo de teclas

Pulse el botón de bloqueo de teclas () simultáneamente durante 3 segundos. Símbolo de bloqueo de teclas

() se iluminará y el modo de bloqueo de teclas se activará. Los botones no funcionarán si el modo de bloqueo de teclas está activo. Pulse el botón de bloqueo de teclas simultáneamente durante 3 segundos. El indicador de bloqueo de teclas se apagará y el modo de bloqueo de teclas se cancelará.

Pulse el botón de **bloqueo de teclas** para evitar modificar los ajustes de temperatura del frigorífico ().


8. Eco fuzzy

Pulse el botón Eco-Fuzzy y manténgalo pulsado durante 1 segundo para activar la función eco fuzzy. El frigorífico comenzará a funcionar en el modo más económico durante un mínimo de 6 horas y el indicador de uso económico se iluminará cuando esta función esté activa. (). Pulse y mantenga pulsado el botón Eco-Fuzzy y manténgalo pulsado durante 3 segundos para activar la función eco fuzzy.


Esta luz se iluminará después de 6 horas cuando la función eco fuzzy esté activada.

9. Botón de ajuste de la temperatura del compartimento congelador

Pulse este botón para ajustar la temperatura del compartimento congelador a -18, -19, -20, -21, -22, -

23, -24, -18... respectivamente. Pulse este botón para ajustar la temperatura del compartimento del frigorífico al valor deseado. ()


10. Indicador de apagado del Icematic

Indica si el Icematic está encendido o apagado. () Si está encendido, entonces significa que el icematica no está en funcionamiento. Para activar de nuevo el Icematic, mantenga pulsado el botón de activación/desactivación durante 3 segundos.



El flujo de agua desde el depósito se detendrá al seleccionar esta función. No obstante, podrá seguir extrayendo del Icematic el hielo ya fabricado.

11. Función de congelado rápido/ botón de encendido-apagado del icematic.

Pulse brevemente este botón para activar o desactivar la función de enfriamiento rápido. Cuando active la función, el compartimento congelador se enfriará hasta alcanzar una temperatura inferior al valor fijado. ()

Para activar o desactivar el Icematic, mantenga el botón pulsado durante 3 segundos.



Use la función de congelación rápida cuando desee congelar con rapidez los alimentos depositados en el compartimento frigorífico. Si desea enfriar grandes cantidades de alimentos frescos, active esta función antes de depositar los alimentos en el aparato.

Funcionamiento del aparato



Si no cancela manualmente la función de congelación rápida, ésta se cancelará automáticamente transcurridas cuatro horas o bien una vez el compartimento frigorífico alcance la temperatura deseada.



En caso de corte del fluido eléctrico, esta función no se activará automáticamente al restablecerse el suministro eléctrico.

12. Indicador del modo ahorro

Indica que el aparato está funcionando en el modo de eficiencia energética. () Esta luz estará activada si la temperatura del compartimento del frigorífico está ajustada a -18 o si el enfriamiento eficiente se está llevando a cabo con la función Eco-Extra.

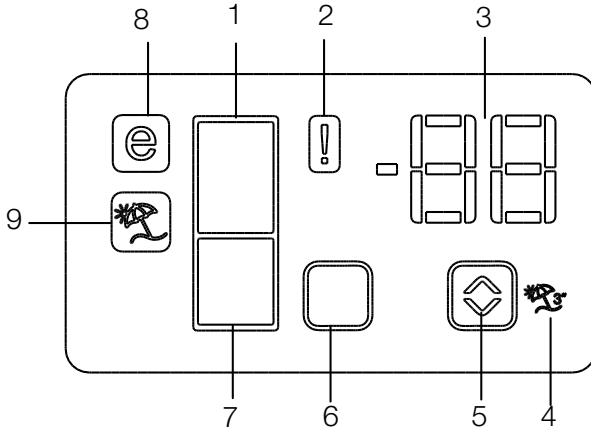


El indicador de uso económico se desactiva al seleccionar las funciones de enfriamiento rápido o congelación rápida.

Funcionamiento del aparato

5.5. Panel indicador

Los paneles indicadores pueden variar dependiendo del modelo de aparato. Las funciones audiovisuales del panel indicador le ayudan a utilizar el aparato.



1. Indicador del compartimento frigorífico
2. Indicador de error
3. Indicador de temperatura
4. Botón del modo vacaciones
5. Botón de ajuste de la temperatura
6. Botón de selección de compartimento
7. Indicador del compartimento congelador
8. Indicador del modo ahorro
9. Indicador de la función de vacaciones

***opcional**



***opcional:** Las ilustraciones de este manual se proporcionan a modo de ejemplo y podrían no corresponderse exactamente con su aparato. Si determinadas partes no están presentes en el aparato que usted ha adquirido, indica que la figura corresponde a otro modelo.

Funcionamiento del aparato

1. Indicador del compartimento frigorífico

La luz del compartimento frigorífico se enciende al ajustar la temperatura del compartimento frigorífico.

2. Indicador de error

Este indicador se activa si su frigorífico no enfría o suficiente o en caso de fallo de un sensor. Cuando este indicador se active, el indicador de la temperatura del compartimento congelador mostrará "E" y el indicador de temperatura del compartimento frigorífico mostrará números, por ejemplo "1,2,3...". Estos números proporcionan al personal de mantenimiento información acerca del error.

3. Indicador de temperatura

Indicador de temperatura del compartimento frigorífico y congelador.

4. Botón del modo vacaciones

Pulse el botón de vacaciones durante 3 segundos para activar esta función. Cuando la función de vacaciones está activa, aparece "- -" en el indicador de temperatura del compartimento frigorífico y este compartimento no enfría. Cuando esta función está activa no es adecuado conservar alimentos en el compartimento frigorífico. El resto de compartimentos seguirán refrigerados a la temperatura ajustada para ellos. Para cancelar esta función, pulse de nuevo el botón **Vacaciones**.

5. Botón de ajuste de la temperatura

Cambia la temperatura del compartimento correspondiente en un rango de entre -24 °C... -18 °C y 8 °C...1 °C.

6. Botón de selección de compartimento

Botón de selección: Pulse el botón de selección de compartimento para alternar entre el compartimento frigorífico y el compartimento congelador.

7. Indicador del compartimento congelador

La luz del compartimento frigorífico se enciende al ajustar la temperatura del compartimento congelador.

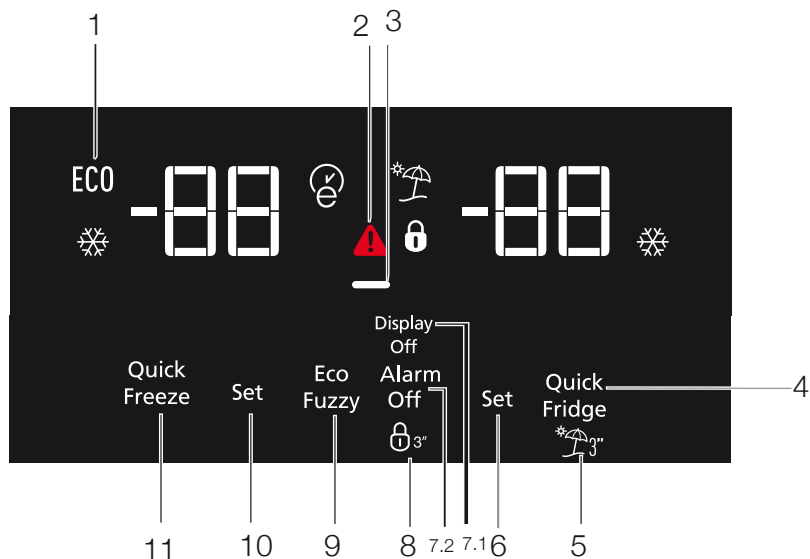
8. Indicador del modo ahorro

Indica que el frigorífico opera en el modo de ahorro de energía. Este indicador estará activo si la temperatura del compartimento congelador se fija en -18 °C.

9. Indicador de la función de vacaciones

Indica que la función de vacaciones está activa.

Funcionamiento del aparato



1. Economía

Este indicador se ilumina cuando el compartimento congelador se ajusta a -18°C , que es la posición de funcionamiento más económica (ECO). El indicador de uso económico se desactiva al seleccionar las funciones de enfriamiento rápido o congelación rápida.

2. Indicador de temperatura alta / indicador de aviso de error

Este indicador (⚠) se ilumina durante un apagón, fallos de alta temperatura y avisos de errores.

3. Función de ahorro de energía (visor apagado)

Si las puertas de la nevera se mantienen cerradas durante un

tiempo largo, la función de ahorro de energía se activa automáticamente y el símbolo de ahorro de energía se ilumina. Si la función de ahorro de energía está activa, todos los símbolos del visor se apagarán excepto el símbolo de energía. Cuando el modo de ahorro de energía está activo, si se pulsa cualquier botón o se abre la puerta, la función de ahorro de energía se cancelará y los símbolos en el visor volverán a su estado normal. La función de ahorro de energía se activará durante la entrega desde la batería y no se puede cancelar.

4. Enfriamiento rápido

El indicador de refrigeración rápida se encenderá (❄) y el valor del indicador




***opcional:** Las ilustraciones de este manual se proporcionan a modo de ejemplo y podrían no corresponderse exactamente con su aparato. Si determinadas partes no están presentes en el aparato que usted ha adquirido, indica que la figura corresponde a otro modelo.

Funcionamiento del aparato


de temperatura del compartimento refrigerador se mostrará como 1 cuando se active la función de refrigeración rápida. Para cancelar esta función, pulse nuevamente el botón de refrigeración rápida. El indicador de congelación rápida se apagará y el frigorífico volverá a sus valores normales. Si no lo cancela, la función de congelación rápida se anulará automáticamente 1 hora más tarde. Si desea congelar grandes cantidades de alimentos frescos, pulse el botón de congelación rápida antes de introducir los alimentos en el compartimento frigorífico.

5. Función de vacaciones




Para activar la función de vacaciones, pulse el botón nº (4) () durante 3 segundos, y el indicador de modo de vacaciones se activará. Cuando la función de vacaciones está activa, aparece "- -" en el indicador de temperatura del compartimento frigorífico y este compartimento no enfría. Cuando esta función está activa no es adecuado conservar alimentos en el compartimento frigorífico. El resto de compartimentos seguirán refrigerados a la temperatura ajustada para ellos.

Para cancelar esta función, pulse de nuevo el botón de la **función de Vacaciones**.

6. Ajuste de temperatura del compartimento frigorífico

Cuando el botón nº. (5) podrá ajustar la temperatura del compartimento de la nevera a 8, 7, 6, 5, 4, 3 y 1 respectivamente. ()


7. 1Función de ahorro de energía (pantalla apagada):


Al pulsar este botón, el indicador de ahorro de energía () se iluminará y la función de ahorro de energía se activará (). Si la función de ahorro de energía está activa, todos los símbolos del visor se apagarán excepto el símbolo de energía. Cuando el modo de ahorro de energía está activo, si se pulsa cualquier botón o se abre la puerta, la función de ahorro de energía se cancelará y los símbolos en el visor volverán a su estado normal. Si pulsa de nuevo este botón (), el símbolo ahorro de energía se apagará y la función de ahorro de energía no estará activa.

7.2 Aviso de desconexión de la alarma:

En caso de apagón/alarma de alta temperatura, pulse el botón de desconexión de alarma para eliminar el aviso después de comprobar los alimentos en el compartimento del congelador.

8. Bloqueo de teclas

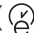
Pulse el botón de bloqueo de teclas () simultáneamente durante 3 segundos. Símbolo de bloqueo de teclas

() se iluminará y el modo de bloqueo de teclas se activará. Los botones no funcionarán si el modo de bloqueo de teclas está activo. Pulse el botón de bloqueo de teclas simultáneamente durante 3 segundos. El indicador de bloqueo de teclas se apagará y el modo de bloqueo de teclas se cancelará.

Funcionamiento del aparato

Pulse el botón de **bloqueo de teclas** para evitar modificar los ajustes de temperatura del frigorífico ().

9. Eco fuzzy


Pulse el botón Eco-Fuzzy y manténgalo pulsado durante 1 segundo para activar la función eco fuzzy. El frigorífico comenzará a funcionar en el modo más económico durante un mínimo de 6 horas y el indicador de uso económico se iluminará cuando esta función esté activa. (). Pulse y mantenga pulsado el botón Eco-Fuzzy y manténgalo pulsado durante 3 segundos para activar la función eco fuzzy.


Esta luz se iluminará después de 6 horas cuando la función eco fuzzy esté activada.

10. Ajuste de temperatura del compartimento congelador

Se realiza un ajuste de temperatura en el compartimento congelador. Pulse el botón 9 para ajustar la temperatura del compartimento congelador a -18, -19, -20, -21, -22, -23 y -24°C, respectivamente.

11. Congelación rápida

Pulse el botón nº (10) Para un a congelación rápida, indicador de congelación rápida () deberá activarse.

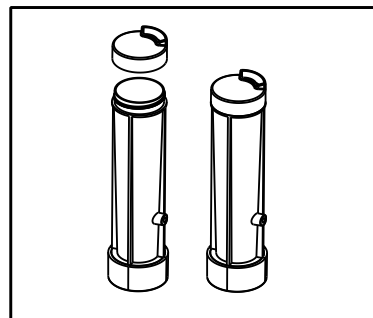
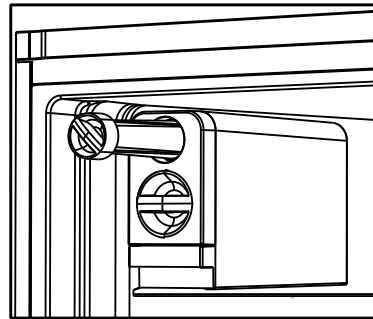
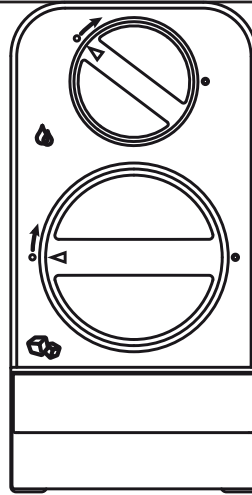
El indicador de congelación rápida se ilumina cuando la función de congelación rápida esté activa y el visor del compartimento refrigerador muestre -27. Para cancelar esta función pulse de nuevo () el botón de congelación rápida. El indicador de congelación rápida se apagará y el frigorífico volverá a sus valores normales. Si no se cancela manualmente, la función de congelación rápida se anulará automáticamente 24 horas más tarde. Si desea congelar grandes cantidades de alimentos frescos, pulse el botón de congelación rápida antes de introducir los alimentos en el compartimento congelador.

Funcionamiento del aparato

5.6. Twist Ice - matic

(Característica opcional)

- Retire el depósito de agua girándolo hacia la izquierda.
- Abra a cobertura del depósito de agua girándolo y añádale agua hasta la parte inferior de la cubierta de éste.
- Coloque el depósito de agua en su sitio tal como se indica en la imagen después de añadir agua y haberlo colocado girándolo en la dirección de la flecha. Vierta el agua a la bandeja para hielo.
- Cuando se haya formado hielo, gire la bandeja para hielo para que el hielo caiga desde el cajón para hielo.
- Saque el cajón para hielo para extraer los cubitos de hielo.
- Tire de la cara frontal hacia usted para lavar la bandeja para hielo y colóquelo en los laterales de la zona interior y colóquelo de nuevo empujándolo hacia su sitio.
- Tire de la cara frontal hacia usted para lavar la bandeja para hielo y colóquelo en los laterales de la zona interior y colóquelo de nuevo empujándolo hacia su sitio.



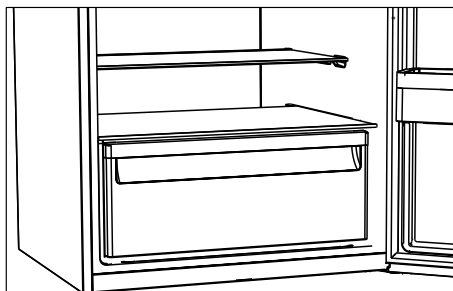
Funcionamiento del aparato

5.7. Huevera

Puede instalar la huevera en la puerta o el estante que desee. Si va a colocarlo en los estantes del cuerpo, se recomienda usar los estantes inferiores más fríos.



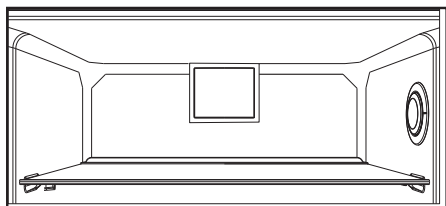
No ponga la huevera en el compartimento congelador



5.8. Ventilador

El ventilador turbo está diseñado para garantizar una distribución y circulación homogéneas del aire frío en el interior del su frigorífico. El tiempo de funcionamiento puede variar según las propiedades del electrodoméstico.

En algunos modelos, el ventilador funciona únicamente cuando lo hace el compresor, mientras que en otros el sistema de control determina su tiempo de funcionamiento de acuerdo con las necesidades de enfriamiento.



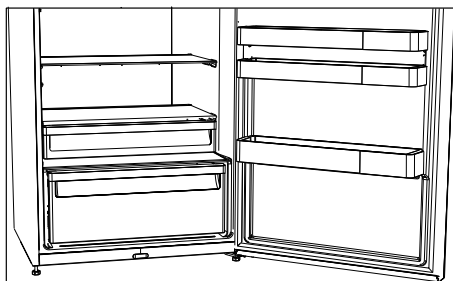
5.9. Cajón de frutas y verduras

El cajón de frutas y verduras de su aparato está especialmente diseñado para mantener la frescura de sus vegetales sin que pierdan su humedad. Con este fin, alrededor del cajón de frutas y verduras se intensifica la circulación de aire frío.

5.10. Compartimento de enfriamiento

(Característica opcional)

Use este compartimento para almacenar delicatessen que deban almacenarse a temperaturas más bajas o productos cárnicos que vaya a consumir dentro de poco tiempo. El compartimento refrigerador es el lugar más frío del frigorífico, donde podrá almacenar productos lácteos, carnes, pescado y carne de ave de corral en las mejores condiciones. No almacene frutas ni verduras en este compartimento.



Funcionamiento del aparato

5.11. Mover el estante de la puerta

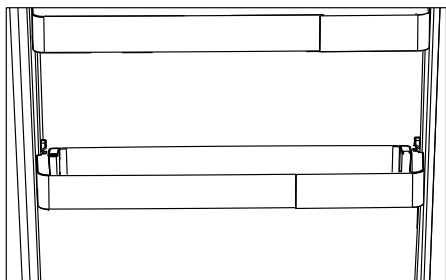
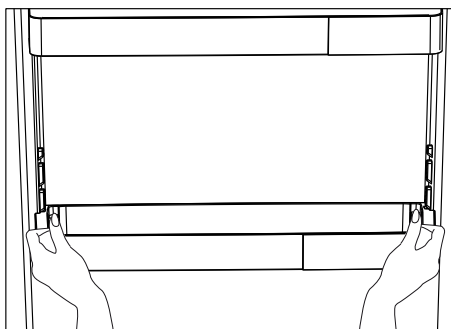
(Característica opcional)

La estantería móvil de la puerta puede fijarse en 3 posiciones diferentes.

Pulse los botones que se muestran a los lados de la misma manera para mover la estantería. La estantería debe ser móvil.

Mueva el estante hacia arriba o hacia abajo.

Suelte los botones cuando la estantería esté en la posición deseada. Debe fijar la estantería en la posición donde suelte los botones.

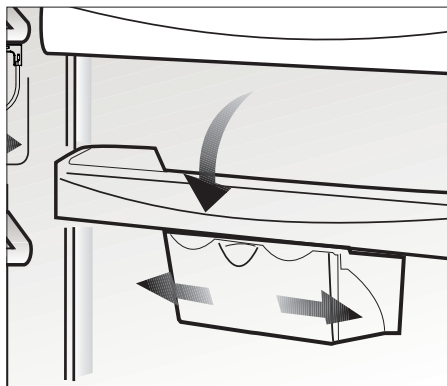


5.12. Contenedor de almacenamiento deslizable

(Característica opcional)

Este accesorio está diseñado para incrementar el volumen útil de los estantes de las puertas.

Le permite colocar con facilidad las botellas, jarras y conservas de mayor altura en el botellero inferior gracias a su capacidad para desplazarse a izquierda o derecha.



5.13. Luz azul

(Característica opcional)

Este accesorio está diseñado para incrementar el volumen útil de los estantes de las puertas.

Le permite colocar con facilidad las botellas, jarras y conservas de mayor altura en el botellero inferior gracias a su capacidad para desplazarse a izquierda o derecha.

Funcionamiento del aparato

5.14. Icematic automático

(Característica opcional)

El Icematic automático le permite fabricar hielo en el frigorífico fácilmente. Retire el depósito del agua del compartimento frigorífico, llénelo de agua y vuélvalo a colocar para obtener hielo del sistema Icematic.

Los primeros cubitos estarán disponibles al cabo de unas dos horas en la cubitera del sistema Icematic ubicada en el compartimento congelador.

Si llena por completo el depósito de agua, podrá obtener aproximadamente entre 60 y 70 cubitos de hielo.

Cambie el agua del depósito de agua si ha estado allí durante 2-3 semanas.

5.15. Compartimento para verduras con control de humedad

(FreSHelf)

(Característica opcional)

Los niveles de humedad de las frutas y de las verduras se mantienen bajo control con la función del cajón de frutas y verduras con control de humedad y se garantiza que los alimentos se mantengan frescos por más tiempo.

Le recomendamos colocar las verduras de hoja, tales como lechuga, espinaca y aquellas hortalizas sensibles a la pérdida de humedad, en posición horizontal en la medida de lo posible, dentro del cajón, no sobre sus raíces en posición vertical.

Mientras se guardan las frutas y verduras, tenga en cuenta su peso específico. Las frutas y verduras más duras y pesadas deben colocarse en el fondo del cajón y aquellas más blandas y livianas deben ubicarse arriba.

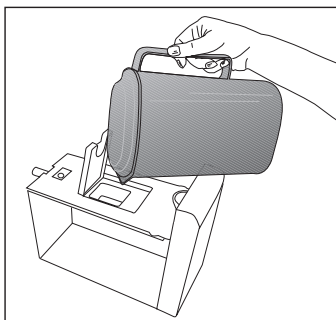
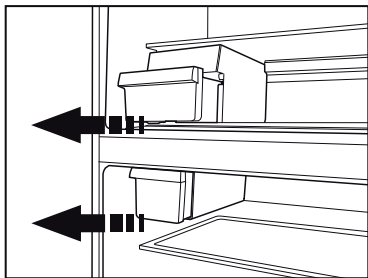
Nunca deje las hortalizas dentro del cajón de frutas y verduras en sus bolsas. Si las hortalizas se dejan dentro de sus bolsas, se descompondrán en un breve período de tiempo. En caso de que no desee que las frutas y verduras estén en contacto entre sí por cuestiones de higiene, utilice un papel perforado, espuma u otros materiales de embalaje similares en lugar de una bolsa.

No coloque juntos peras, albaricoques, melocotones, etc. y manzanas, en particular, en el mismo cajón que otras frutas y verduras, ya que tienen un alto nivel de generación de gas etileno. El gas etileno emitido por estas frutas puede ocasionar que las otras frutas maduren más rápido y se echen a perder en poco tiempo.

Funcionamiento del aparato



Para los productos que tienen el Icematic automático, se puede oír cuando se esté formando el hielo. Este sonido es normal y en ningún caso indica un fallo.



5.16. Descripción y limpieza del filtro antiolores

(Característica opcional)

El filtro antiolores evita la proliferación de olores desagradables en el interior del frigorífico.

1. Tire hacia abajo de la cubierta en la que está instalado el filtro desde la sección delantera y retírela, tal como se muestra en la ilustración.
2. Deje el filtro expuesto a la luz solar durante un día. El filtro se limpiará en este período de tiempo.
3. Vuelva a colocar el filtro en su lugar.





El filtro antiolores debe limpiarse una vez al año.


Funcionamiento del aparato

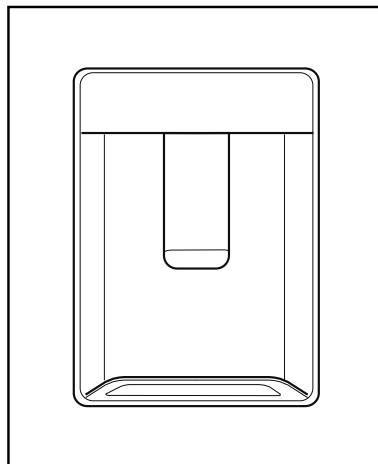
5.17. Uso del dispensador de agua

***opcional**

	Es normal que los primeros vasos de agua servidos por el dispensador estén calientes.
	Si no se usa el dispensador de agua durante un periodo de tiempo prolongado, no consuma los primeros vasos de agua.



1. Presione la palanca del dispensador de agua con el vaso. Si está usando un vaso blando de plástico, le será más fácil empujar la palanca con la mano.
2. Una vez haya llenado el vaso hasta el nivel que desee, suelte la palanca.

	Tenga en cuenta que el caudal de agua que suministra el dispensador depende del recorrido de la palanca. A medida que el nivel del agua en su copa o vaso llegue al borde, reduzca suavemente la presión ejercida sobre la palanca con el fin de evitar el rebosamiento. Si presiona la palanca levemente el agua goteará, es bastante normal, no se trata de un fallo.
---	---



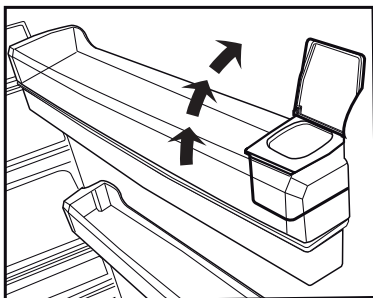
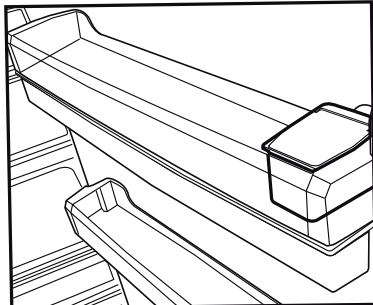
5.18. Uso del dispensador de agua

***opcional**

	Es normal que los primeros vasos de agua servidos por el dispensador estén calientes.
	Si no se usa el dispensador de agua durante un periodo de tiempo prolongado, no consuma los primeros vasos de agua.

1. Presione la palanca del dispensador de agua con el vaso. Si está usando un vaso blando de plástico, le será más fácil empujar la palanca con la mano.
2. Una vez haya llenado el vaso hasta el nivel que desee, suelte la palanca.

Funcionamiento del aparato



Tenga en cuenta que el caudal de agua que suministra el dispensador depende del recorrido de la palanca. A medida que el nivel del agua en su copa o vaso llegue al borde, reduzca suavemente la presión ejercida sobre la palanca con el fin de evitar el rebosamiento. Si presiona la palanca levemente el agua goteará, es bastante normal, no se trata de un fallo.

5.19. Llenar el depósito del dispensador de agua

El depósito de agua se encuentra dentro de la bandeja de la puerta.

1. Abra la tapa del depósito.
2. Llene el depósito con agua potable.
3. Cierre la cubierta.



No vierta en el depósito de agua ningún otro líquido que no sea agua; la bebidas tales como los zumos de frutas, bebidas carbonatadas o bebidas alcohólicas no son adecuadas para el dispensador de agua. El dispensador de agua quedará dañado de forma irreparable si se utilizan dichos líquidos. La garantía no cubre estos usos. Algunas sustancias químicas y aditivos que contienen esos tipos de bebidas/líquidos pueden dañar el depósito de agua.



Utilice únicamente agua potable limpia.



La capacidad del depósito de agua es de 3 litros, no lo llene excesivamente.

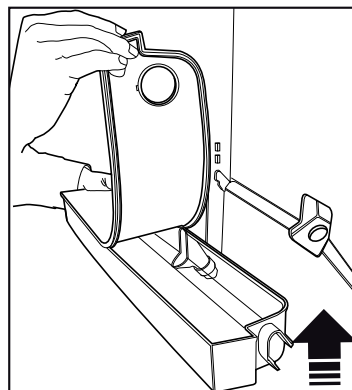
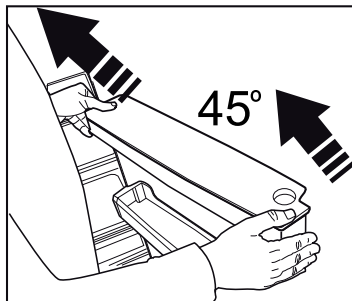
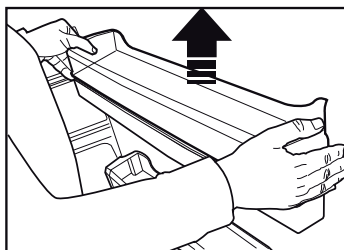
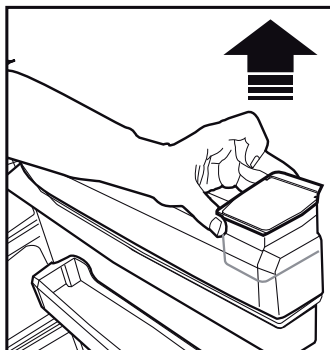
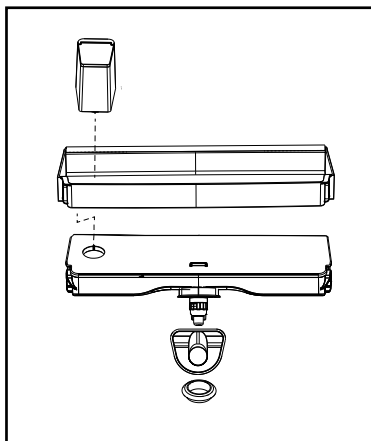
Funcionamiento del aparato

5.20. Limpieza del depósito de agua

1. Retire el depósito de llenado de agua del interior de la rejilla de la puerta.
2. Retire la rejilla de la puerta sujetando por ambos lados.
3. Sujete el depósito de agua por ambos lados y retírelo en un ángulo de 45°C.
4. Retire la tapa del depósito y limpie el depósito.



Los componentes del depósito de agua y del dispensador de agua no deben lavarse en el lavavajillas.



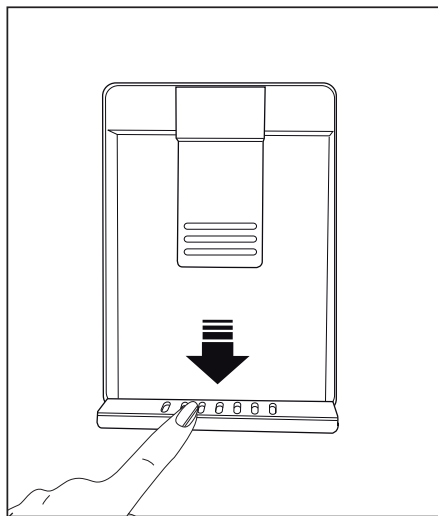
Funcionamiento del aparato

5.21. Bandeja de goteo

El agua que gotea durante el uso del dispensador de agua se acumula en la bandeja de derramamiento.

Retire el filtro de plástico tal y como se muestra en la figura.

Enjuague el agua acumulada con un trapo limpio y seco.



5.22. HerbBox/ HerbFresh (Cajón para hierbas/ Hierbas frescas)

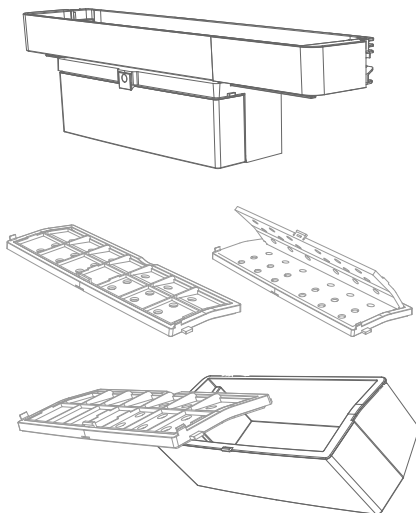
Retire el contenedor de película plástica del HerbBox/HerbFresh+

Saque la película plástica de la bolsa y póngala en el recipiente para la película plástica como se muestra en la imagen.

Vuelva a sellar el recipiente y vuelva a colocarlo en la unidad HerbBox/HerbFresh+.

Las secciones del HerbBox-HerbFresh+ son especialmente ideales para el almacenamiento de diversas hierbas que deben mantenerse en condiciones delicadas. Usted puede almacenar sus hierbas sin empaque (perejil, eneldo, etc) en esta sección horizontalmente y mantenerlas frescas durante un período mucho más largo.

La película deberá ser sustituida cada seis meses.



Funcionamiento del aparato

5.23. Congelación de alimentos frescos

- Para preservar la calidad de los alimentos, debe congelarlos tan pronto como sea posible cuando los coloque en el compartimento congelador. Utilice la función de congelación rápida para esta finalidad.
- Puede guardar los alimentos durante más tiempo en el compartimento congelador cuando los congele cuando estén frescos.
- Envuelva los alimentos que vaya a congelar y cierre el envase para que quede hermético.
- Asegúrese de envolver bien los alimentos antes de colocarlos en el congelador. Use contenedores para congelador, láminas y papeles antihumedad, bolsas de plástico y otros materiales de embalaje en vez de papeles de embalaje tradicionales.

- Etiquete cada paquete de alimentos con la fecha antes de congelarlos. De esta manera, podrá distinguir el frescor de cada paquete de alimentos cada vez que abra el congelador. Guarde los alimentos congelados en la parte frontal del compartimento para asegurar que se consuman primero.



El compartimento del congelador se deshuela de manera automática.

- Consuma inmediatamente los alimentos recién descongelados, y no los vuelva a congelar.
- No congele cantidades demasiado grandes de una sola vez.

Ajuste del compartimento congelador	Ajuste del compartimento frigorífico	Comentarios
-18°C/4°F	4°C/40°F	Estos son los valores de uso recomendados.
-20/-4°F,-22/ -6°F o -24°C/-11°F	4°C/40°F	Se recomiendan estos valores cuando la temperatura ambiente rebase los 30 °C.
Congelación rápida	4°C/40°F	Se utiliza para congelar los alimentos rápidamente. El aparato volverá a su modo de funcionamiento previo una vez finalizado el proceso.
-18°C/4°F o más frío	2°C/37°F	Utilice estos ajustes si cree que el compartimento frigorífico no está suficientemente frío debido a las altas temperaturas ambientales o por la frecuente apertura y cierre de la puerta.

Funcionamiento del aparato

5.24. Recomendaciones para la conservación de alimentos congelados

El compartimento no debe estar a más de $-18\text{ }^{\circ}\text{C}$.

1. Coloque los paquetes de alimentos congelados en el congelador lo antes posible tras su compra sin dejar que se descongelen.
2. Compruebe si las fechas de consumo preferente y caducidad de los envases han vencido o no antes de congelarlos.
3. Asegúrese de que el envase de comida no esté dañado.

5.25. Información sobre la congelación

Las normas TSE 62552 exigen que el aparato congele al menos 4,5 kg de alimentos a una temperatura ambiente de $32\text{ }^{\circ}\text{C}$ a una temperatura interior de $-18\text{ }^{\circ}\text{C}$ o inferior en menos de 24 horas por cada 100 litros (3,5 metros cúbicos) de volumen del congelador.

Los alimentos sólo pueden conservarse durante periodos prolongados de tiempo a temperaturas de $-18\text{ }^{\circ}\text{C}$ o menos.

Los alimentos frescos pueden conservarse durante muchos meses en el congelador a temperaturas de $-18\text{ }^{\circ}\text{C}$ o menos.

No deje que los alimentos entren en contacto con alimentos previamente congelados, con el fin de evitar que éstos puedan descongelarse parcialmente.

Hierva las verduras y drene el agua para almacenarla durante más tiempo ya que estarán congeladas. Después de descargar el agua, colóquelos en paquetes herméticos y colóquelos dentro del congelador.

Alimentos tales como plátanos, tomates, lechuga, huevos duros y patatas hervidas saladas no son aptas para la congelación. Cuando estos alimentos estén congelados, su valor nutricional y sabor pueden verse afectados negativamente. Esto podría crear un riesgo para la salud humana.

5.26. Colocar los alimentos

Estantes del compartimento congelador	Alimentos congelados diversos tales como carnes, pescados, helados, verduras, etc.
Estantes del compartimento frigorífico	Alimentos en cazuelas, platos cubiertos y recipientes cerrados, huevos (en recipientes cerrados)
Estantes de la puerta del compartimento frigorífico	Alimentos o bebidas en envases pequeños

Funcionamiento del aparato

Cajón de frutas y verduras	Verduras y frutas
Compartimento de alimentos frescos	Las delicatessen (comida de desayuno, productos cárnicos que vayan a consumirse en poco tiempo)

5.27. Aviso de puerta abierta

(Característica opcional)

El frigorífico emitirá una señal acústica de aviso cuando la puerta del aparato permanezca abierta más de un 1 minuto. Esta advertencia quedará silenciada cuando se cierre la puerta o se pulse cualquiera de los botones de la pantalla (si los hay).

La advertencia de puerta abierta se da tanto en forma visual como acústica. Si la advertencia prosigue durante 10 minutos, las luces interiores se apagarán.

5.28. Cambio de la dirección de apertura de la puerta

Puede cambiar la dirección de apertura de la puerta de su frigorífico en función del lugar en donde lo use. Si es necesario, o por favor, llame al servicio técnico más cercano.

La descripción anterior es una información acerca del cambio de la dirección de la puerta, deberá consultar la etiqueta de advertencia del lado interior de la puerta.

5.29. Lámpara de iluminación

Las luces LED se usan como lámparas de iluminación. Contacte con un servicio técnico autorizado en caso de que haya algún problema con este tipo de luz.

La(s) luz(es) usadas en este aparato no son aptas para la iluminación de las habitaciones del hogar. El fin previsto de la luz es ayudar al usuario a colocar alimentos en el frigorífico/congelador de una manera segura y cómoda.

La vida útil del aparato aumentará si lo limpia regularmente.



ADVERTENCIA: Desenchufe primero el aparato antes de limpiarlo.

- No utilice nunca para la limpieza herramientas afiladas o abrasivas, jabones, limpiadores domésticos, detergentes ni ceras abrillantadoras.
- Disuelva una cucharadita de bicarbonato en medio cuarto de agua. Empape un trapo en la solución y escúrralo totalmente. Limpie el interior del aparato con este paño y luego séquelo totalmente.
- Asegúrese de que no penetre agua en el alojamiento de la lámpara ni otros elementos eléctricos.
- Utilice un paño húmedo para limpiar la puerta. Para retirar la puerta y los estantes, retire todos sus contenidos. Retire los estantes de la puerta tirando de ellos hacia arriba. Tras limpiarlos, deslícelos de arriba hacia abajo para su colocación.
- Nunca use agentes de limpieza o agua que contengan cloro para limpiar las superficies exteriores y los cromados del producto. ya que el cloro corroe dichas superficies metálicas.
- No use herramientas afiladas o abrasivas, jabón, agentes de limpieza domésticos detergentes, queroseno, gasolina, barniz, etc. para eliminar las huellas dactilares de las piezas de plástico. Use agua tibia un un paño suave para limpiarlo, y luego séquelo.

6.1. Cómo evitar malos olores

Nuestros electrodomésticos no se fabrican con materiales que puedan producir olores. Sin embargo, una conservación inadecuada de los alimentos y la falta de limpieza de la superficie interior del electrodoméstico pueden dar lugar a un problema de olores.

Por lo tanto, limpie el frigorífico con bicarbonato disuelto en agua cada 15 días.

- Conserve los alimentos en recipientes cerrados. Los microorganismos que proliferan en los envases no cubiertos pueden causar malos olores.
- Retire del frigorífico los alimentos cuya fecha de caducidad haya vencido y estén en mal estado.

6.2. Protección de las superficies de plástico

Límpielos con agua caliente inmediatamente, puesto que el aceite podría dañar las superficies de plástico.

6.3. Vidrios de las puertas

Retire la lámina protectora de los vidrios.

Hay una capa que reduce al mínimo la formación de manchas y ayuda a eliminarlas con facilidad, así como la suciedad que pueda depositarse.

Los vidrios que no disponen de este recubrimiento de protección pueden verse sometidos a la acción persistente de sustancias orgánicas o inorgánicas presentes en el aire o el agua como por ejemplo cal, sales minerales, hidrocarburos sin quemar, óxidos de metal y siliconas que pueden causar con facilidad y rapidez manchas o daños materiales. Resulta muy difícil mantener el vidrio siempre limpio, a pesar de la limpieza regular. En consecuencia, el aspecto y la transparencia del vidrio se deteriora. Los métodos y productos de limpieza fuertes y corrosivos intensificarán estos efectos y acelerarán el proceso de deterioro.

Limpie siempre los vidrios con productos de limpieza con base acuosa que no sean alcalinos ni corrosivos.

Utilice siempre productos no alcalinos ni corrosivos para la limpieza, a fin de prolongar al máximo la vida útil de este recubrimiento.

Son vidrios templados para incrementar su resistencia frente a impactos y roturas.

La superficie posterior de los vidrios cuenta con una película de seguridad que evita que cause daños a los objetos circundantes en caso de rotura.

Consulte la siguiente lista antes de llamar al servicio técnico. Si lo hace podrá ahorrar tiempo y dinero. La lista incluye las quejas más comunes que no tienen relación con un problema de fabricación ni con el material usado. Puede que ciertas características mencionadas aquí no sean de aplicación a este aparato.

El frigorífico no funciona.

- El enchufe de alimentación no está colocada correctamente. >>> Enchúfelo para colocarlo correctamente en la toma de alimentación.
- El fusible conectado a la toma de corriente del aparato o el fusible principal están fundidos. >>> Compruebe los fusibles.

Condensación en la pared lateral del compartimento frigorífico (MULTIZONA, CONTROL DE FRÍO y FLEXI ZONA).

- El ambiente es demasiado frío. >>> No instale el aparato en ambientes con una temperatura por debajo de -5°C.
- La puerta se abre con demasiada frecuencia >>> Intente no abrir la puerta tan a menudo.
- El ambiente es demasiado húmedo. >>> No instale el aparato en ambientes demasiado húmedos.
- Los alimentos que contengan líquidos están guardados en recipientes no sellados. >>> Guarde los alimentos que contengan líquidos en recipientes sellados.
- La puerta del aparato se ha dejado abierta. >>> No deje la puerta del aparato abierta durante mucho tiempo.
- El termostato está ajustado a un nivel muy bajo. >>> Ajuste el termostato a una temperatura adecuada.

El compresor no funciona.

- En caso de que haya un apagón repentino o de desenchufar el cable y enchufarlo de nuevo, la presión de gas del sistema de refrigeración del aparato no estará equilibrada, lo que accionará la protección térmica del compresor. El aparato se reiniciará aproximadamente al cabo de 6 minutos. Si el aparato no se reinicia después de este período, contacte con el servicio técnico.
- La descongelación está todavía activo. >>> Esto es normal en un congelador con descongelación automática. La descongelación se realiza periódicamente.
- El aparato no está enchufado. >>> Asegúrese de que el cable de alimentación está enchufado.
- El ajuste de temperatura es incorrecto. >>> Seleccione el ajuste de temperatura adecuado.
- Se ha cortado el suministro eléctrico. >>> El aparato seguirá funcionando con normalidad una vez que el suministro se haya restablecido.

El ruido de funcionamiento del frigorífico aumenta durante su uso.

- Tales valores variarán en función de las fluctuaciones de la temperatura ambiente. Esto es perfectamente normal, y no constituye una avería.

El frigorífico está mucho tiempo funcionando o se enciende con demasiada frecuencia.

Resolución de problemas

- Puede que su nuevo aparato sea más grande que el que tenía anteriormente. Los aparatos más grandes funcionarán durante más tiempo.
- Puede que la temperatura ambiente sea alta. >>> El aparato funcionará normalmente durante largos períodos de tiempo con una temperatura ambiente más alta.
- Puede que el aparato se haya enchufado recientemente o que se haya colocado un nuevo alimento en su interior. >>> El aparato tardará más en alcanzar la temperatura cuando haya sido enchufado recientemente o cuando se coloque un nuevo alimento en su interior. Esto es normal.
- Puede que se haya colocado grandes cantidades de alimentos calientes en el aparato. >>> No coloque alimentos calientes en el aparato.
- Las puertas se han abierto demasiado a menudo o se dejan abiertas durante largos períodos de tiempo. >>> El aire circulante en el interior hará que el aparato funcione durante más tiempo. No abra las puertas con demasiada frecuencia.
- Puede que el congelador o la puerta del congelador esté entreabierta. >>> Compruebe que las puertas estén totalmente cerrados.
- Puede que el aparato esté configurado con una temperatura demasiado baja. >>> Fije la temperatura a un grado más alto y espere a que el aparato alcance la temperatura establecida.
- Es posible que la junta de la puerta del compartimento frigorífico o congelador esté sucia, desgastada, rota o no asentada correctamente. >>> Limpie o sustituya la junta. Una junta de puerta rota / dañada hará que el aparato funcione durante más tiempo para preservar la temperatura actual.

La temperatura del frigorífico es muy baja, pero la del congelador es adecuada.

- La temperatura del compartimento congelador está fijada a un grado muy bajo. >>> Fíjela a un grado más alto y compruébelo de nuevo.

La temperatura del frigorífico es muy baja, mientras que la del congelador es adecuada.

- La temperatura del compartimento congelador está fijada a un grado muy bajo. >>> Fíjela a un grado más alto y compruébelo de nuevo.

Los alimentos depositados en los cajones del compartimento frigorífico están congelados.

- La temperatura del compartimento congelador está fijada a un grado muy bajo. >>> Fíjela a un grado más alto y compruébelo de nuevo.

La temperatura del congelador o del frigorífico es demasiado alta.

Resolución de problemas

- La temperatura del compartimento congelador está fijada a un grado muy bajo. >>> La temperatura del compartimento refrigerador incide en la temperatura del compartimento congelador. Cambie las temperaturas del frigorífico o el congelador y espere hasta que la temperatura de los compartimentos correspondientes estén a un nivel adecuado.
- Las puertas se han abierto demasiado a menudo o se dejan abiertas durante largos períodos de tiempo. >>> No abra las puertas con demasiada frecuencia.
- Puede que la puerta esté entreabierta. >>> Cierre la puerta totalmente.
- Puede que el aparato se haya enchufado recientemente o que se haya colocado un nuevo alimento en su interior. >>> Esto es normal. El aparato tardará más en alcanzar la temperatura cuando haya sido enchufado recientemente o cuando se coloque un nuevo alimento en su interior.
- Puede que se haya colocado grandes cantidades de alimentos calientes en el aparato. >>> No coloque alimentos calientes en el aparato.

Sacudidas o ruidos.

- El suelo no está nivelado o estable. >>> Si el aparato vibra, ajuste los pies para equilibrarlo. Compruebe además que el suelo sea lo suficientemente firme para soportar el aparato.
- Cualquier elemento colocado en el aparato puede provocar ruidos >>> Retire cualquier elemento colocado en el producto.

El aparato emite ruido del líquido en circulación, pulverización, etc.

- Los líquidos y gases fluyen en función de los principios de funcionamiento del frigorífico. >>> Esto es normal y no es una avería.

El aparato emite un ruido de soplido de viento.

- El aparato usa un ventilador para el proceso de refrigeración. Esto es perfectamente normal, y no constituye una avería.

Hay condensación en las paredes internas del aparato.

- El tiempo cálido y húmedo favorece la formación de hielo y la condensación. Esto es perfectamente normal, y no constituye una avería.
- Las puertas se han abierto demasiado a menudo o se dejan abiertas durante largos períodos de tiempo. >>> No abra las puertas con demasiada frecuencia. Si las abre, ciérrelas.
- Puede que la puerta esté entreabierta. >>> Cierre la puerta totalmente.

Hay condensación en el exterior del aparato o entre sus puertas.

- Puede que haya humedad en el aire; es algo bastante normal en climas húmedos. >>> Cuando el grado de humedad descienda, la condensación desaparecerá.

El interior huele mal.

Resolución de problemas

- El producto no se limpia regularmente. >>> Limpie el interior regularmente con una esponja, agua caliente y bicarbonato.
- Ciertos recipientes y materiales de embalaje pueden causar mal olor. >>> Utilice recipientes y materiales de embalaje libres de malos olores.
- Los alimentos están guardados en recipientes no sellados. >>> Guarde los alimentos en recipientes sellados. Los microorganismos pueden propagarse fuera de los recipientes de alimentos y causar olores desagradables.
- Retire cualquier alimentos caducado o descompuesto del aparato.

La puerta no cierra.

- Puede que los paquetes de comida estén bloqueando la puerta. >>> Recolecte los elementos que estén bloqueando la puerta.
- El aparato no está colocado en el suelo en una posición totalmente vertical. >>> Ajuste los soportes para equilibrar el aparato.
- El suelo no está equilibrado o no es sólido. >>> Compruebe además que el suelo esté nivelado y que sea capaz de soportar el peso del frigorífico.

El cajón de las verduras está atascado.

- Puede que los alimentos estén en contacto con la sección superior del cajón. >>> Reorganice los alimentos del cajón.



ADVERTENCIA: Si el problema persiste después de seguir las instrucciones en este apartado, contacte con un distribuidor o con el servicio técnico autorizado. No intente reparar el aparato.



58 0118 0000/AA

1/2

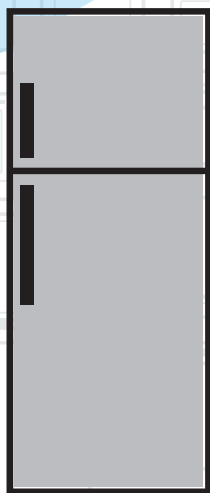
EN-ES



www.beko.com

Refrigerator

User manual



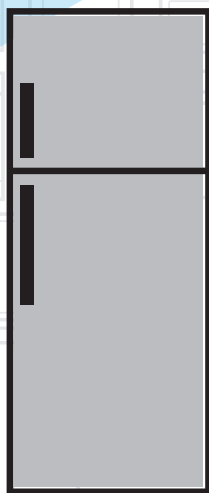
RDNE535E31ZX

PT |

beko

Frigorífico

Manual do Utilizador



PT |

beko

Caro Cliente,

Gostaríamos que aproveitasse a óptima eficiência do nosso produto, fabricado em modernas instalações segundo controlos de qualidade meticulosos.

Para este propósito, ler integralmente o guia do utilizador antes de utilizar o produto e manter o guia como fonte de referência. Se ceder este produto a outra pessoa, fornecer este guia em conjunto com o produto.

O guia do utilizador assegura a utilização rápida e segura do produto.

- Ler o guia do utilizador antes de instalar e operar com o produto.
- Observar sempre as instruções de segurança aplicáveis.
- Manter o guia do utilizador em local de fácil acesso para uso futuro.
- Ler quaisquer outros documentos fornecidos com o produto.

Ter em mente que este guia do utilizador é aplicável a vários modelos do produto. O guia indica claramente quaisquer variações de modelos diferentes.

Símbolos e Observações

No guia do utilizador são usados os símbolos seguintes:

	Informações importantes e dicas úteis.
	Risco de vida e do equipamento.
	Risco de choque eléctrico.
	A embalagem do produto é feita com materiais recicláveis, de acordo com a Legislação Ambiental Nacional.

1 Instruções de segurança e ambientais **3**

- 1.1. Segurança geral 3
 - 4 4
 - 1.1.1 Advertência HC 5
 - 1.1.2 Para modelos com dispensador de água 5
- 1.2. Utilização prevista 5
- 1.3. Segurança das crianças 6
- 1.4. Em conformidade com a Directiva REEE e Eliminação de Resíduos 6
- 1.5. Em conformidade com a Directiva RSP. 6
- 1.6. Informação da embalagem 6

2 O seu aparelho **7**

3 Instalação **8**

- 3.1. Local de instalação apropriado 8
- 3.2. Instalar os calços de plástico 8
- 3.3. Ajustar os pés 8
- 3.4. Ligação elétrica 9
- 3.5. Inverter as portas 10
- 3.6. Inverter as portas 11

4 Preparação **12**

- 4.1. Coisas a serem feitas para poupar energia 12
- 4.2. Uso inicial 12

5 Operar com o produto **13**

- 5.1. Botão de definição de temperatura . . 13
- 5.2. Congelar rápido 13
- 5.3. Função férias 14
- 5.4. Painel indicador 15
- 5.5. Painel indicador 17
- 5.6. Twist Icematic 22
- 5.7. Recipiente para o gelo 23
- 5.8. Suporte para ovos. 23
- 5.9. Ventilador. 23
- 5.10. Gaveta para vegetais 23

- 5.11. Compartimento refrigerador 23
- 5.12. Mover a prateleira da porta 24
- 5.13. Recipiente de armazenamento deslizando 24
- 5.14. Luz azul 24
- 5.15. Gaveta de vegetais com humidade controlada 25
- 5.16. Icematic automático 25
- 5.17. Descrição e limpeza do filtro de odores 26
- 5.18. HerbBox/HerbFresh. 26
- 5.19. Utilizar a fonte de água fresca 27
- 5.20. Utilizar a fonte de água fresca 27
- 5.21. Encher o depósito do dispensador de água 28
- 5.22. Limpar o depósito de água 29
- 5.23. Tabuleiro para gotas de água. 29
- 5.24. Congelar alimentos frescos 30
- 5.25. Recomendações para preservar alimentos congelados. 30
- 5.26. Informação do congelador 30
- 5.27. Colocar alimentos. 31
- 5.28. Botão para abrir a porta 31
- 5.29. Mudar a direção da abertura da porta 31
- 5.30. Lâmpada de iluminação 31
- 5.31. Recomendações para preservar alimentos congelados. 31
- 5.32. Informação do congelador 32
- 5.33. Colocar alimentos. 32
- 5.34. Botão para abrir a porta 32
- 5.35. Mudar a direção da abertura da porta 32
- 5.36. Lâmpada de iluminação 32

6 Manutenção e limpeza **33**

- 6.1. Evitar maus odores 33
- 6.2. Proteger superfícies de plástico 33
- 6.3. Vidros da Porta 33

7 Resolução de problemas **34**

1 Instruções de segurança e ambientais

Esta secção fornece as instruções de segurança necessárias para prevenir risco de lesões e danos materiais. O não cumprimento destas instruções invalidará todos os tipos de garantia do produto.

1.1. Segurança geral

AVISO:

Manter as aberturas de ventilação, na caixa de proteção do aparelho ou na estrutura embutida, sem obstruções.

ADVERTÊNCIA:

Não usar dispositivos mecânicos nem outros meios para acelerar o processo de descongelação, exceto os recomendados pelo fabricante.

AVISO:

Não danificar o circuito de refrigeração.

ADVERTÊNCIA:

Não usar aparelhos eléctricos no interior dos compartimentos de armazenamento de alimentos do aparelho, a menos que sejam do tipo recomendado pelo fabricante.



Este aparelho é destinado a ser usado em uso doméstico e aplicações similares como

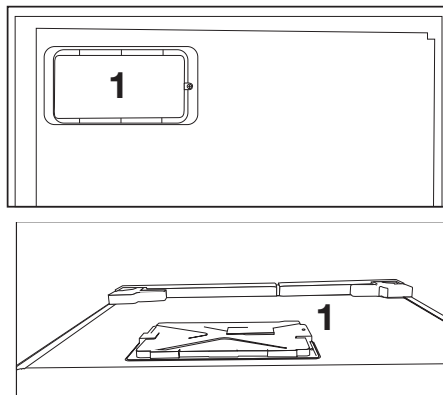
- zonas de cozinha em estabelecimentos comerciais, escritórios ou outros ambientes laborais;
- casas rurais e pelos clientes em hotéis, motéis e outros ambientes de tipo residencial;
- ambientes de tipo alojamento e pequeno almoço;
- utilizações de refeições e outros não-retalhistas similares.

- Este produto não deve ser usado por pessoas com deficiências físicas, sensoriais e mentais, sem conhecimento e experiência

suficiente ou por crianças. O dispositivo apenas pode ser usado por estas pessoas sob supervisão e instrução de uma pessoa responsável pela sua segurança. As crianças não devem ser autorizadas a brincar com este aparelho.

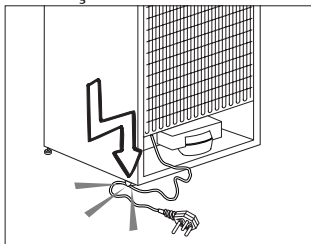
- Em caso de mau funcionamento, desligue o aparelho.
- Depois de desligar, aguarde pelo menos 5 minutos antes de ligar novamente. Desligar o produto quando não está em uso. Não tocar na ficha com as mãos molhadas! Não puxar pelo cabo para desligar, segurar sempre pela ficha.
- Não ligar o frigorífico se a tomada estiver solta.
- Desligar o produto durante a instalação, manutenção, limpeza e reparação.
- Se o produto não for usado por uns tempos, desligar o produto e retirar quaisquer alimentos do interior.
- Não utilizar materiais de limpeza a vapor ou vapor para limpar o frigorífico e derreter o gelo no interior. O vapor pode entrar em contacto com as áreas electrificadas e causar curto-circuito ou choque eléctrico!
- Não lavar o produto pulverizando-o ou deitando água sobre o mesmo! Perigo de choque eléctrico!
- Nunca usar o produto se a secção localizada na parte superior ou traseira do seu produto com placas de circuitos impressos electrónicos no interior estiver aberta (tampa da placa de circuito electrónico impresso) (1).

Instruções de segurança e ambientais



- Em caso de mau funcionamento, não usar o produto, porque pode provocar um choque eléctrico. Contactar a assistência autorizada antes de fazer alguma coisa.
- Ligar o produto a uma tomada com ligação à terra. A ligação à terra deve ser feita por um electricista qualificado.
- Se o produto tem luz tipo LED, contactar a assistência autorizada para substituir ou em caso de quaisquer problemas.
- Não tocar em alimentos congelados com as mãos molhadas! Podem aderir às suas mãos!
- Não colocar líquidos em garrafas e latas no compartimento de congelação. Podem explodir!
- Colocar os líquidos em posição vertical depois de fechar a tampa firmemente.
- Não pulverizar substâncias inflamáveis perto do produto, podem incendiar ou explodir.
- Não manter no frigorífico materiais inflamáveis e produtos com gás inflamável (sprays, etc.).
- Não colocar recipientes com líquidos em cima do produto. Pulverizar água sobre as partes eléctricas pode causar choque eléctrico e risco de incêndio.

- Expor o produto à chuva, neve, sol e vento pode causar perigo eléctrico. Quando recolocar o produto, não puxar pelo puxador da porta. O puxador pode soltar-se.
- Ter cuidado para evitar prender qualquer parte das suas mãos ou corpo em alguma das partes móveis dentro do produto.
- Não pisar ou apoiar-se nas portas, gavetas e peças similares do frigorífico. Isto pode causar avaria do produto e danificar as partes.
- Ter cuidado para não prender o cabo de alimentação.



1.1.1 Advertência HC

Se o produto inclui um sistema de refrigeração com gás R600a, ter cuidado para não danificar o sistema de arrefecimento e a sua tubagem durante a utilização e movimentação do produto. O gás é inflamável. Se o sistema de refrigeração estiver danificado, manter o produto longe de fontes de ignição e ventilar imediatamente o espaço onde o frigorífico se encontra.



A etiqueta no lado esquerdo interior indica o tipo de gás usado no produto.

1.1.2 Para modelos com dispensador de água

- A pressão para a entrada de água fria deve ser no máximo de 90 psi (620 kPa). Se a sua pressão de água exceder 80 psi (550 kPa, utilize uma válvula limitadora de

Instruções de segurança e ambientais

pressão no seu sistema de alimentação. Se não sabe como verificar a sua pressão de água, deve solicitar a ajuda de um canalizador profissional.

- Se existir o risco de o golpe de ariete afetar a sua instalação, deve utilizar sempre um equipamento de prevenção do golpe de ariete na sua instalação. Deve consultar os canalizadores profissionais se não tiver a certeza se existe o efeito de golpe de ariete na sua instalação.
- Não instalar na entrada de água quente. Deve tomar precauções relativamente ao risco de congelamento nas tubagens. O intervalo de funcionamento de temperatura da água deve ser 33°F (0,6°C) de mínimo e 100°F (38°C) de máximo.
- Usar apenas água potável.

1.2. Utilização prevista

- Este produto é concebido para utilização doméstica. Não está previsto para utilização comercial.
- O produto deve ser utilizado apenas para armazenar alimentos e bebidas.
- Não manter no frigorífico produtos sensíveis que requerem temperaturas controladas (vacinas, medicamentos sensíveis ao calor, equipamentos médicos, etc.).
- O fabricante não assume responsabilidades por qualquer dano devido a uso indevido ou inadequado.
- O tempo de vida do produto é de 10 anos. As peças sobresselentes necessárias ao funcionamento do produto estarão disponíveis durante o referido período de tempo.

1.3. Segurança das crianças

- Manter os materiais de embalagem fora do alcance das crianças.
- Não permitir que as crianças brinquem com o produto.
- Se a porta do produto incluir uma fechadura, manter a chave fora do alcance das crianças.

1.4. Em conformidade com a Directiva REEE e Eliminação de Resíduos

Este produto está em conformidade com a Directiva UE REEE (2012/19/UE). Este produto tem um símbolo de classificação de resíduos de equipamentos eléctricos e electrónicos (REEE).



Este produto foi fabricado com peças de alta qualidade e materiais que podem ser reutilizados e são adequados para reciclagem. Não eliminar os resíduos como resíduos domésticos normais ou outros no fim da vida útil. Colocar no centro de recolha para a reciclagem de equipamentos eléctricos e electrónicos. Consultar as autoridades locais para indicação destes centros de recolha.

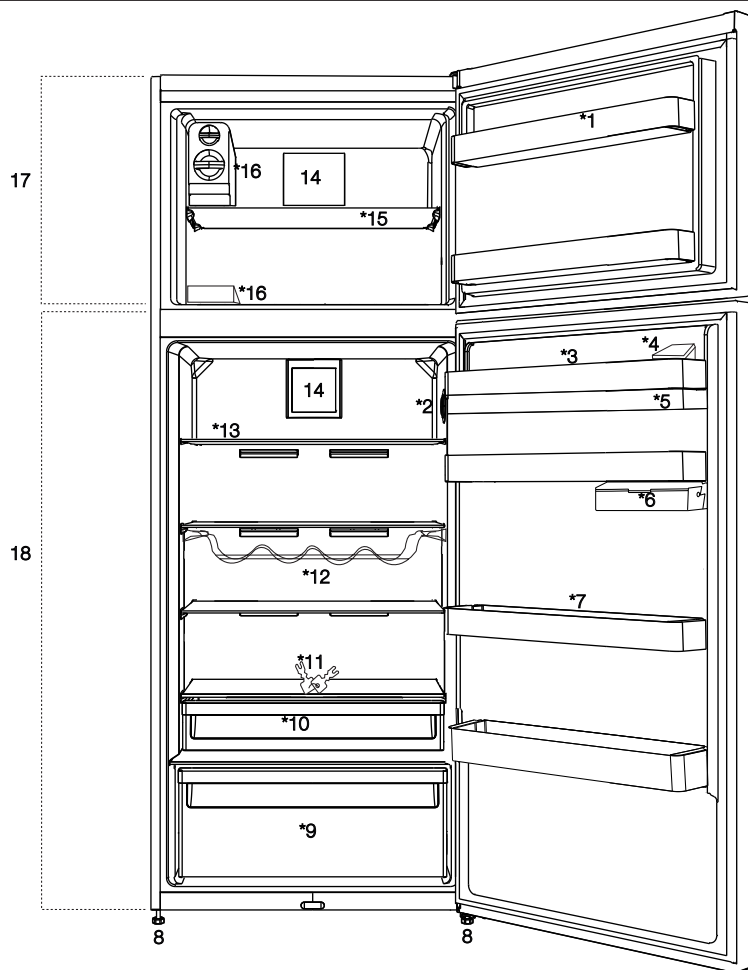
1.5. Em conformidade com a Directiva RSP

- Este produto está em conformidade com a Directiva UE REEE (2011/65/UE). Não contém materiais nocivos e proibidos especificados na Directiva.

1.6. Informação da embalagem

- Os materiais de embalagem do produto são fabricados com materiais recicláveis de acordo com os nossos Regulamentos Ambientais Nacionais. Não eliminar os materiais de embalagem junto com lixos domésticos ou outros. Colocar nos pontos de recolha de material de embalagem designados pelas autoridades locais.

2 0 seu aparelho



1. Frigorífico - prateleira da porta do compartimento
2. Botão de definição de temperatura
3. Depósito de enchimento do dispensador de água
4. Secção dos ovos
5. Reservatório do dispensador de água
6. Recipiente de armazenamento sob a prateleira da porta
7. Mover a prateleira da porta
8. Pé ajustável
9. Gaveta para vegetais
10. Compartimento refrigerador
11. Bloqueio e chave
12. Prateleira para garrafas
13. Frigorífico - prateleira de vidro do compartimento
14. Ventilador
15. Prateleira do compartimento congelador
16. Caixa de gelo / Compartimento para fazer gelo
17. Compartimento congelador
18. Compartimento frigorífico



***opcional:**As figuras neste manual do utilizador são dadas como um exemplo e podem não coincidir exatamente com o produto. Se as partes relevantes não estão disponíveis no produto que comprou, a figura aplica-se a outros modelos.

3 Instalação

3.1. Local de instalação apropriado

Contactar uma Assistência Autorizada para a instalação do produto. De modo a preparar o produto para utilização, consultar a informação no manual do utilizador e assegurar que a instalação elétrica e a instalação de água são apropriadas. Se não, chamar um electricista e técnico qualificados para realizarem quaisquer arranjos necessários.



ADVERTÊNCIA: O fabricante não será responsabilizado por danos que possam surgir a partir de procedimentos realizados por pessoas não autorizadas.



ADVERTÊNCIA: O produto não deve ser ligado à tomada durante a instalação. Caso contrário, há o risco de morte ou lesão grave!



ADVERTÊNCIA: Se o afastamento da porta da divisão onde o produto deve ser colocado for tão apertado impeça a passagem do produto, remover a porta da divisão e passar o produto pela porta girando-o para o seu lado; se isto não funcionar, contactar a assistência autorizada.

- Colocar o produto numa superfície de chão plana para evitar sacudidas.
- Instalar o produto afastado pelo menos 30 cm de fontes de calor tais como fogões, núcleos de aquecedores e fornos e pelo menos a 5 cm de fornos elétricos.
- O produto não deve ser exposto à luz solar direta e mantido em locais húmidos.
- Deve ser proporcionada ventilação de ar apropriada à volta do seu produto de modo a alcançar um funcionamento eficiente. Se o produto for colocado num encaixe na parede, ter em atenção para deixar pelo menos 5 cm de distância ao teto e paredes laterais.
- Não instalar o produto em locais onde a temperatura desça abaixo de -5°C .

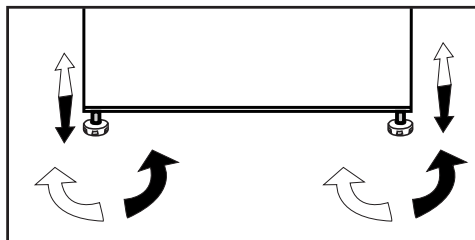
3.2. Instalar os calços de plástico

Os calços de plástico fornecidos com o produto são usados para criar a distância para a circulação de ar entre o produto e a parede de trás.

1. Para instalar os calços, retirar os parafusos no produto e usar os parafusos fornecidos em conjunto com os calços.
2. Inserir os 2 calços de plástico na tampa de ventilação de trás como mostrado na figura.

3.3. Ajustar os pés

Se o produto ficar desequilibrado depois da instalação, ajustar os pés da frente rodando-os para a esquerda ou direita.




Instalação

3.4. Ligação elétrica

	ADVERTÊNCIA: Não fazer ligações através de cabos de extensão ou fichas múltiplas.
	ADVERTÊNCIA: O cabo de alimentação danificado deve ser substituído pelo Agente de Assistência Autorizado.
	Se dois refrigeradores são para ser instalados lado a lado, deve haver pelo menos 4 cm de distância entre eles.

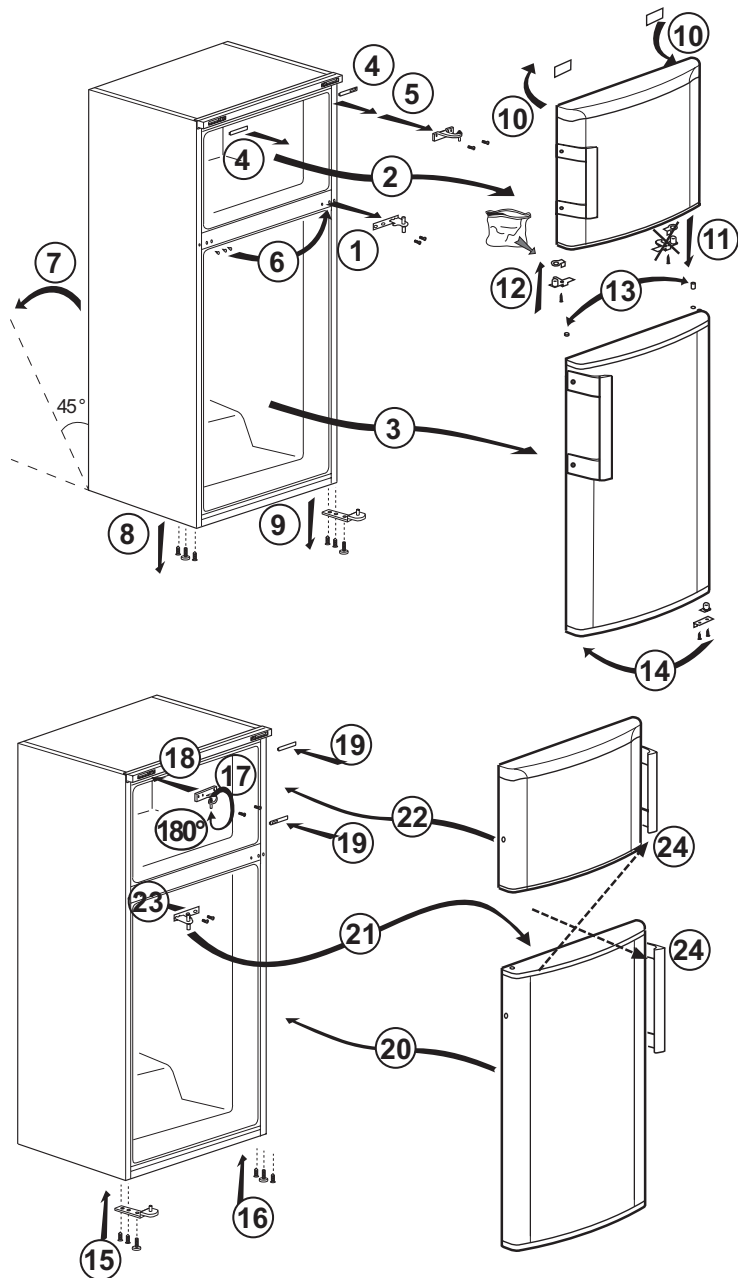
- A nossa empresa não será responsável por quaisquer danos que possam ocorrer quando o produto for usado sem ligação à terra e elétrica em conformidade com os regulamentos nacionais.
- A ficha do cabo de alimentação deve ser de fácil acesso após a instalação.
- Sem cabos de extensão ou tomadas múltiplas sem cabo entre o seu produto e a tomada da parede.

	<p>Advertência de Superfície Quente</p> <p>As paredes laterais do seu produto esão equipadas com tubos refrigerantes para melhorar o sistema de refrigeração. O refrigerante com altas temperaturas pode fluir através destas áreas, resultando em superfícies quentes nas paredes laterais. Isto é normal e não exige qualquer reparação. Deve ter cuidado quando tocar nestas áreas.</p>
---	--

Instalação

3.5. Inverter as portas

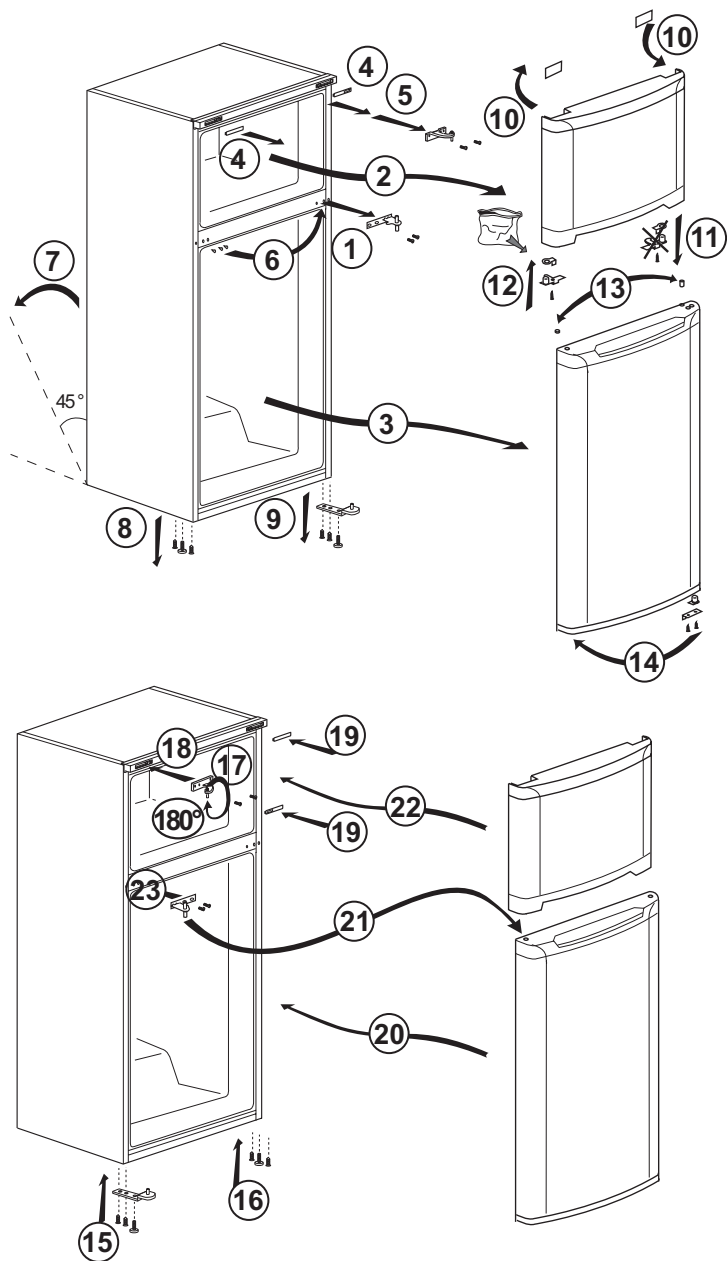
Seguir a ordem numérica.



Instalação

3.6. Inverter as portas

Seguir a ordem numérica.



4 Preparação

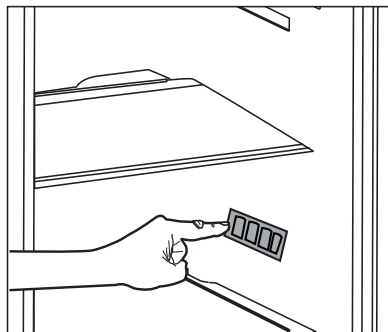
4.1. Coisas a serem feitas para poupar energia



Ligar o produto a sistemas eletrônicos de poupança de energia é arriscado pois podem danificar o produto.

- Não deixar as portas do seu frigorífico abertas por muito tempo.
- Não colocar alimentos ou bebidas quentes no seu frigorífico.
- Não sobrecarregar o frigorífico, a capacidade de arrefecimento falhará quando a circulação de ar interior for impedida.
- De modo a armazenar a quantidade máxima de alimentos no compartimento frigorífico, o Icmatic, disponível no compartimento congelador e facilmente removível à mão, deverá ser retirado. Os valores declarados de volume líquido e consumo de energia declarados na placa de dados de energia do seu frigorífico são medidos e testados retirando o Icmatic. Não retirar as prateleiras do interior do compartimento congelador e na porta do compartimento congelador não devem ser removidas e devem ser sempre usadas pois proporcionam facilidade de utilização e eficiência no consumo de energia.
- O fluxo de ar não deve ser bloqueado colocando alimentos nas laterais do ventilador do compartimento do congelador. Deve ser disponibilizada uma distância mínima de 3 cm nas laterais da tampa protetora do ventilador.
- Os cestos/gavetas que são fornecidos com o compartimento para os frescos têm de ser sempre utilizados para um menor consumo de energia e para melhores condições de armazenamento.
- O contacto dos alimentos com o sensor de temperatura no compartimento do congelador pode aumentar o consumo de energia do aparelho. Assim deve ser evitado qualquer contacto com o(s) sensor(es).
- Dependendo das características de seu produto, o descongelamento de alimentos congelados no compartimento frigorífico irá proporcionar a poupança de energia e preservar a qualidade dos alimentos.

- Não permitir o contacto de alimentos com o sensor de temperatura do compartimento frigorífico exibido na figura abaixo.



4.2. Uso inicial

Antes de começar a usar o seu frigorífico, assegurar que todos os preparativos são feitos de acordo com as instruções nas secções "Instruções de segurança e ambientais" e "Instalação".

- Pôr o produto a trabalhar sem quaisquer alimentos durante 6 horas e não abrir a porta, a menos que absolutamente necessário.



Ouvirá um ruído quando o compressor arrancar. Os líquidos e gases vedados no sistema de refrigeração podem também dar origem a ruídos, mesmo se o compressor não estiver a funcionar o que é perfeitamente normal.



As extremidades dianteiras do produto podem ficar quentes. Isto é normal. Estas áreas são concebidas para aquecer para evitar a condensação.

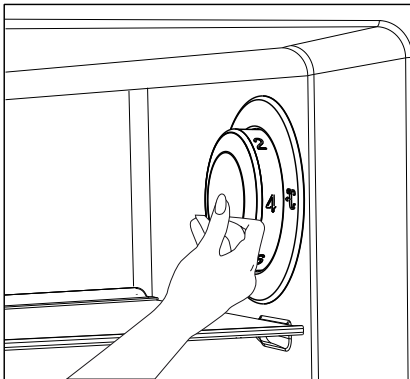


Em alguns modelos, o painel de instrumentos desliga automaticamente 5 minutos depois de a porta ser fechada. Será reativado quando a porta for aberta ou premeida qualquer tecla.

5.1. Botão de definição de temperatura

A temperatura interior do seu frigorífico altera-se pelas seguintes razões:

- Temperaturas sazonais,
- Abertura frequente da porta e deixar a porta aberta por períodos longos,
- Alimentos postos no frigorífico sem arrefecer à temperatura da divisão,
- Localização do frigorífico na divisão (p.ex. exposto à luz solar).
- Deve ajustar a variação da temperatura interior devido a tais razões usando o botão de definição.
- Os números à volta do botão de controlo indicam os valores da temperatura em "°C".
- Se a temperatura ambiente for 25°C, recomendamos que use o botão de controlo de temperatura do seu frigorífico a 4°C. Este valor deve ser aumentado ou diminuído se necessário noutras temperaturas de ambiente.

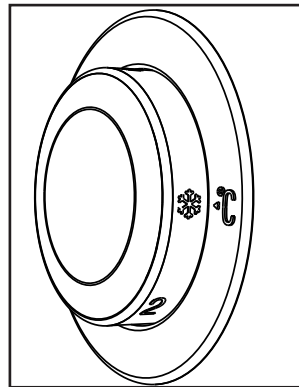


5.2. Congelar rápido

Se foram congeladas grandes quantidades de alimentos frescos, ajustar o botão de controlo de temperatura para (❄️) máx. 24 horas antes de pôr os alimentos frescos no compartimento de congelamento rápido.

É fortemente recomendado manter o botão nesta posição pelos menos 24 horas para congelar a quantidade máxima de alimentos frescos declarados como capacidade de congelamento. Ter especial cuidado para não misturar alimentos congelados e alimentos frescos.

Lembrar de rodar o botão controlo de temperatura de volta à sua posição anterior, uma vez os alimentos congelados.



***Opcional:** As figuras neste manual do utilizador são esquemáticas e podem não coincidir exatamente com o produto. Se as partes sujeitas não estão incluídas no produto que comprou, então essas partes são válidas para outros modelos.

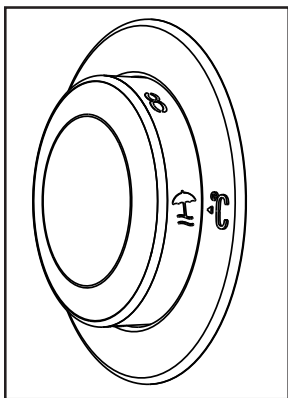
Operar com o produto

5.3. Função férias

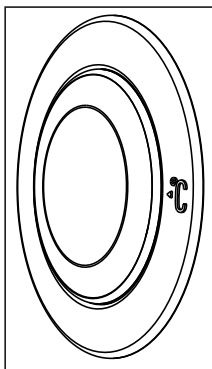
Se as portas do produto não forem abertos durante 12 horas após o botão de controlo de temperatura ser mudado para o posição mais quente, então a função de férias será ativada automaticamente.

Para cancelar a função, mudar a definição do botão.

Não é recomendado armazenar alimentos no compartimento frigorífico quando a função de férias está ativa.



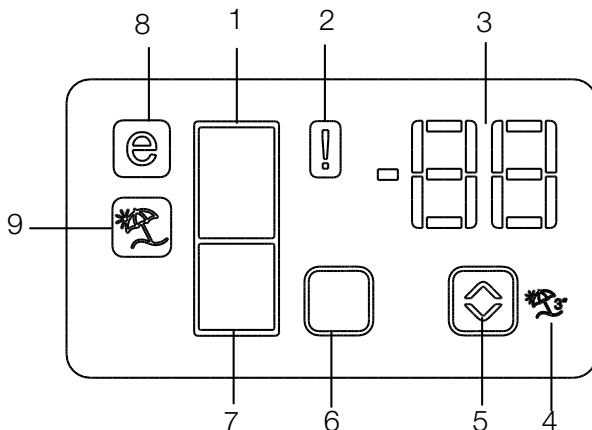
- Quando a operação de definição estiver concluída, deve premir o botão de controlo de temperatura e escondê-lo.



Operar com o produto

5.4. Painel indicador

Os painéis indicadores podem variar de acordo com o modelo do produto.
As funções áudio e vídeo do painel indicador irão ajudar na utilização do produto.



1. Indicador do compartimento frigorífico
2. Indicador do estado do erro
3. Indicador da temperatura
4. Botão da função férias
5. Botão de definição de temperatura
6. Botão de seleção de compartimento
7. Indicador do compartimento congelador
8. Indicador do modo económico
9. Indicador da função férias

***opcional**



***Opcional:** As figuras neste manual do utilizador são esquemáticas e podem não coincidir exatamente com o produto. Se as partes sujeitas não estão incluídas no produto que comprou, então essas partes são válidas para outros modelos.

Operar com o produto

1. Indicador do compartimento frigorífico

A luz do compartimento do frigorífico ilumina-se quando a temperatura do compartimento frigorífico é definida.

2. Indicador do estado do erro

Se o frigorífico não produz frio suficiente ou no caso de falha do sensor, este indicador é ativado. Quando o indicador é ativado, é exibido "E" no indicador de temperatura do compartimento congelador, e números como "1,2,3..." são exibidos no indicador de temperatura do compartimento frigorífico. Estes números no indicador servem para informar o pessoal da assistência sobre o erro.

3. Indicador da temperatura

Indica congelador, temperatura do compartimento frigorífico.

4. Botão da função férias

Premir o botão férias durante 3 segundos para ativar esta função. Quando a função férias é ativada, "- -" é exibido no indicador de temperatura do compartimento frigorífico e não é realizado arrefecimento ativo no compartimento frigorífico. Não é adequado manter os alimentos no compartimento do frigorífico quando esta função é ativada. Outros compartimentos continuarão a ser arrefecidos conforme a temperatura definida.

Para cancelar esta função premir de novo o botão **Férias**.

5. Botão de definição de temperatura

Altera a temperatura do compartimento relevante entre -24°C... -18°C e 8°C...1°C.

6. Botão de seleção de compartimento

Botão de seleção: Premir o botão de seleção do compartimento para alterar entre compartimentos frigorífico e congelador.

7. Indicador do compartimento congelador

A luz do compartimento do frigorífico ilumina-se quando a temperatura do compartimento congelador é definida.

8. Indicador do modo económico

Indica que o frigorífico funciona em modo de poupança de energia. Este visor será ativado se a temperatura do compartimento congelador for definida para -18°C.

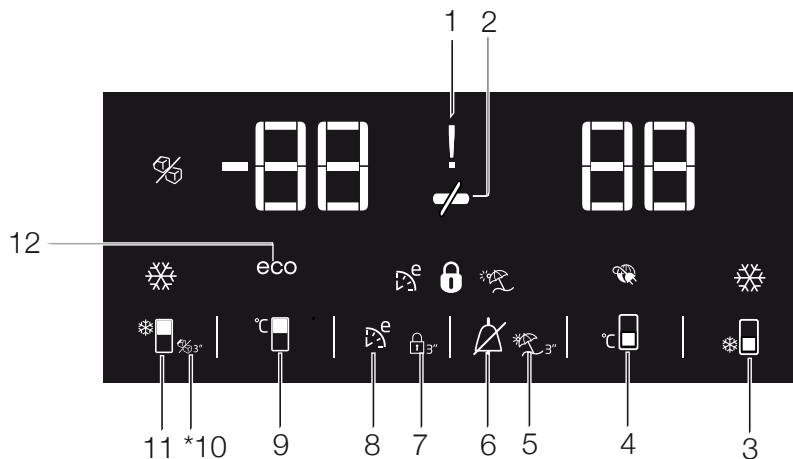
9. Indicador da função férias

Indica que férias está ativada.

Operar com o produto

5.5. Painel indicador

O painel indicador permite-lhe definir a temperatura e controlar as outras funções relativas ao produto sem abrir a porta do produto. Premir apenas as inscrições nos botões relevantes para definições de função.



1. Falha de energia / Temperatura elevada / indicador de advertência de erro

Este indicador (🔦) ilumina-se durante a falha de energia, temperatura elevada e advertências de erro. Durante falhas de energia prolongados, a temperatura mais alta que o compartimento congelador atinge piscará no visor digital. Depois de verificar os alimentos localizados no compartimento congelador (🔦) premir o botão de desligar alarme para limpar a advertência.

2. Poupança de energia (visor desligado):

Se as portas do produto são mantidas fechadas durante muito tempo a função de poupança de energia é automaticamente ativada e o símbolo de poupança de energia ilumina-se. (🔦) Quando a função de poupança de energia é ativada, todos os símbolos no visor que não o símbolo de poupança de energia apagar-se-ão.

Quando a função de poupança de energia é ativada, se qualquer botão for premido ou a porta for aberta, a função de poupança de energia será cancelada e os símbolos no visor voltarão ao normal.

A função de poupança de energia é ativada durante a entrega de fábrica e não pode ser cancelada.

3. Função frio rápido

O botão tem duas funções. Para ativar ou desativar a função de frio rápido premi-lo brevemente. O indicador de Frio rápido desligará e o produto voltará às definições normais. (🔦)



***Opcional:** As figuras neste manual do utilizador são esquemáticas e podem não coincidir exatamente com o produto. Se as partes sujeitas não estão incluídas no produto que comprou, então essas partes são válidas para outros modelos.

Operar com o produto



Usar a função de frio rápido quando quiser arrefecer rapidamente os alimentos colocados no compartimento frigorífico. Se quiser arrefecer grandes quantidades de alimentos frescos, ativar esta função antes de pôr os alimentos no produto.



Se não o cancelar, o frio rápido será cancelado automaticamente depois de 8 horas ou quando o compartimento do frigorífico alcançar a temperatura pretendida.



Se premir o botão de frio rápido repetidamente com intervalos curtos, a proteção de circuito eletrónico será ativada e o compressor não arrancará de imediato.



Esta função não é lembrada quando a energia é restaurada após uma falha de energia.

4. Botão de definição de temperatura do compartimento frigorífico

Premir este botão para definir a temperatura do compartimento frigorífico para 8,7,6, 5,4,3, 2, 8... respetivamente. Premir este botão para definir a temperatura do compartimento frigorífico para o valor pretendido. (❄️)

5. Função férias

De modo a ativar a função férias, premir este botão (🌴) durante 3 segundos, e o indicador de modo de férias (☂️) será ativado. Quando a função férias é ativada, “- -” é exibido no indicador de temperatura do compartimento frigorífico e não é realizado arrefecimento ativo no compartimento frigorífico. Não é adequado manter os alimentos no compartimento do frigorífico quando esta função é ativada. Outros compartimentos continuarão a ser arrefecidos conforme a temperatura definida.

Para cancelar esta função premir de novo o botão de função **Férias**.

6. Advertência alarme desligado:

Em caso de alarme de falha de energia/ temperatura elevada, depois de verificar os alimentos localizados no compartimento congelador premir o botão de desligar alarme (🔊) para limpar a advertência.

7. Bloqueio de teclas

Premir o botão de bloqueio de teclas (🔒) simultaneamente durante 3 segundos. Símbolo de bloqueio de teclas

(🔒) acenderá e o modo de bloqueio de teclas será ativado. Os botões não funcionarão se o modo de bloqueio de teclas está ativado. Premir o botão de bloqueio de teclas simultaneamente durante 3 segundos. O símbolo de bloqueio de teclas desliga e o modo de bloqueio de teclas será desligado.

Premir o botão **bloqueio de teclas** se quer evitar alteração da definição de temperatura do frigorífico (🔒).

8. Eco-inteligente

Premir e manter premido o botão eco-inteligente durante 1 segundo para ativar a função eco-inteligente. O frigorífico começará a funcionar no modo mais económico, pelo menos mais 6 horas e o indicador de uso económico será ligado quando a função está ativa (💡). Premir e manter premido o botão da função eco-inteligente durante 3 segundo para desativar a função eco-inteligente.


Este indicador ilumina-se após 6 horas quando eco-inteligente é ativada.

9. Botão de definição de temperatura do compartimento congelador

Premir este botão para definir a temperatura do compartimento congelador para -18,-19,-20,-21,-22,-23,-24,-18... respetivamente. Premir este botão para definir a temperatura do compartimento congelador para o valor pretendido. (❄️)

Operar com o produto


10. Indicador de Icematic desligado

Indica se Icematic está ligado ou desligado. () Se Ligado, então o icematic não está a funcionar. Para funcionar de novo o Icematic premir e manter premido durante 3 segundo o botão Ligado-Desligado.



O fluxo de água do depósito de água parará quando esta função é selecionada. Contudo, gelo feito previamente pode ser tirado do Icematic.


12. Indicador de utilização económica

Indica que o produto está a trabalhar no modo de energia eficiente. () Este indicador ficará ativo quando a temperatura do compartimento de congelamento está definida em -18 ou refrigeração de energia eficiente está acionada pela função eco-extra.



O Indicador de utilização económica desliga quando são selecionadas as funções de frio ou congelamento rápido.

11. Botão de função congelar rápido / Botão Icematic ligado-desligado

Premir este botão para ativar ou desativar a função congelamento rápido. Quando ativar esta função, o compartimento congelador será arrefecido para uma temperatura inferior ao valor definido. ()

Para ligar e desligar o Icematic premir e manter premido durante 3 segundos.



Usar a função de congelar rápido quando quiser congelar rapidamente os alimentos colocados no compartimento congelador. Se quiser congelar grandes quantidades de alimentos frescos, ativar esta função antes de pôr os alimentos no produto.

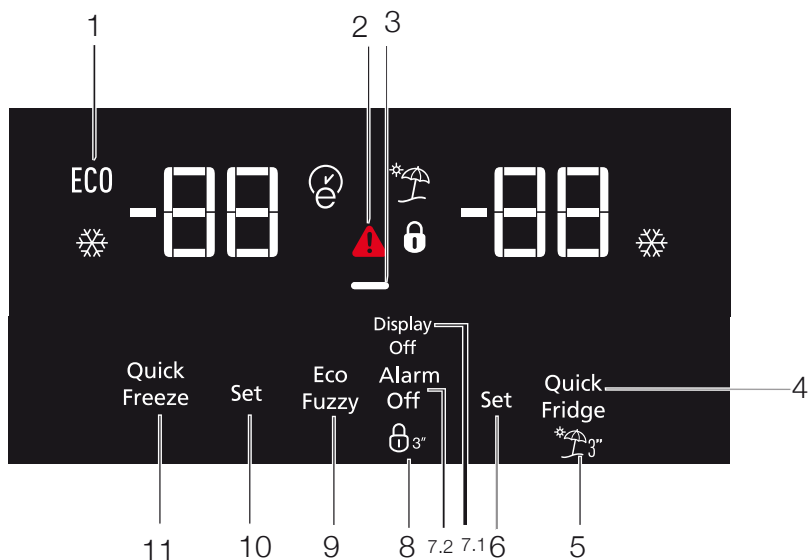


Se não o cancelar, o congelar rápido será cancelado automaticamente depois de 4 horas ou quando o compartimento congelador alcançar a temperatura pretendida.



Esta função não é lembrada quando a energia é restaurada após uma falha de energia.

Operar com o produto



1. Economia

Este sinal acende quando o compartimento de congelamento está definido para -18°C o valor de definição mais económico (ECO). O Indicador de utilização económica desliga quando são selecionadas as funções de frio ou congelamento rápido.

2. Temperatura elevada / indicador de advertência de erro

Este indicador (⚠) ilumina-se durante a temperatura elevada e advertências de erro.

3. Frio rápido

O indicador de frio rápido (❄) ilumina-se quando a função de frio rápido é ativada e o valor do indicador

de temperatura do compartimento frigorífico é exibido como 1. Para cancelar esta função premir de novo o botão Frio rápido. O indicador de Frio rápido desligará e o frigorífico voltará às definições normais. A função de frio rápido é cancelada automaticamente após 1 hora se não a cancelar antes. Para refrigerar uma grande quantidade de alimentos frescos, premir o botão frio rápido antes de colocar os alimentos no compartimento frigorífico.

4. Função férias

De modo a ativar a função férias, premir o botão nº. (4) (☂) durante 3 segundos, e o indicador




***Opcional:** As figuras neste manual do utilizador são esquemáticas e podem não coincidir exatamente com o produto. Se as partes sujeitas não estão incluídas no produto que comprou, então essas partes são válidas para outros modelos.

Operar com o produto




de modo de férias ativa. Quando a função férias é ativada, “- -” é exibido no indicador de temperatura do compartimento frigorífico e não é realizado arrefecimento ativo no compartimento frigorífico. Não é adequado manter os alimentos no compartimento do frigorífico quando esta função é ativada. Outros compartimentos continuarão a ser arrefecidos conforme a temperatura definida.

Para cancelar esta função premir de novo o botão de **função Férias**.

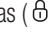
5. Definição de temperatura do compartimento frigorífico


Quando o botão nº. (5) é premido, pode definir a temperatura do compartimento frigorífico para 8,7,6,5,4,3,2 e 1 respetivamente ().

6. Poupança de energia (visor desligado):


O símbolo de poupança de energia () ilumina-se e a função de poupança de energia é ativada quando premir este botão (). Quando a função de poupança de energia é ativada, todos os símbolos no visor que não o símbolo de poupança de energia apagar-se-ão. Quando a função de poupança de energia é ativada, se qualquer botão for premido ou a porta for aberta, a função de poupança de energia será cancelada e os símbolos no visor voltarão ao normal. O símbolo de poupança de energia desliga-se e a função de poupança de energia é desativada quando premir este botão () de novo.

7. Bloqueio de teclas

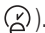
Premir o botão de bloqueio de teclas () simultaneamente durante 3 segundos. Símbolo de bloqueio de teclas

() acenderá e o modo de bloqueio de teclas será ativado. Os botões não funcionarão se o modo de bloqueio de teclas está ativado. Premir o botão

de bloqueio de teclas simultaneamente durante 3 segundos. O símbolo de bloqueio de teclas desliga e o modo de bloqueio de teclas será desligado.

Premir o botão **bloqueio de teclas** se quer evitar alteração da definição de temperatura do frigorífico ().

8. Eco-inteligente


Premir e manter premido o botão eco-inteligente durante 1 segundo para ativar a função eco-inteligente. O frigorífico começará a funcionar no modo mais económico, pelo menos mais 6 horas e o indicador de uso económico será ligado quando a função está ativa (). Premir e manter premido o botão da função eco-inteligente durante 3 segundo para desativar a função eco-inteligente.

Este indicador ilumina-se após 6 horas quando eco-inteligente é ativada.

9. Definição de temperatura do compartimento congelador

A definição de temperatura do compartimento congelador é realizada aqui. Quando o botão nº. 9 é premido, pode definir a temperatura do compartimento congelador para -18,-19,-20,2 e -22 respetivamente.

10. Congelar rápido

Premir o botão nº. (10) para a operação de congelar rápido, o indicador de congelar rápido () será ativado.

O indicador de congelar rápido ilumina-se quando a função de congelar rápido é ativada e o valor do indicador de temperatura do compartimento frigorífico é exibido como -27.

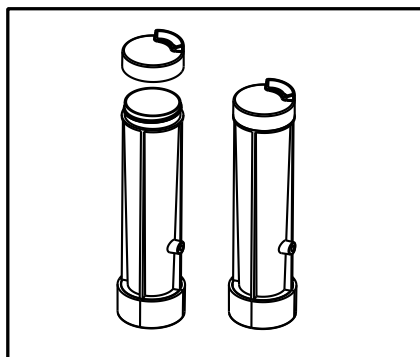
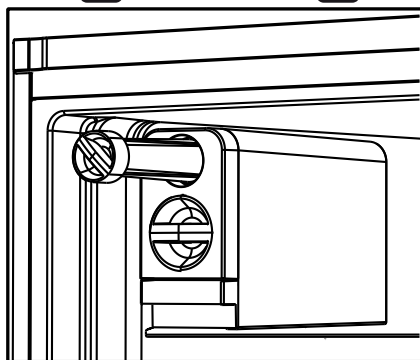
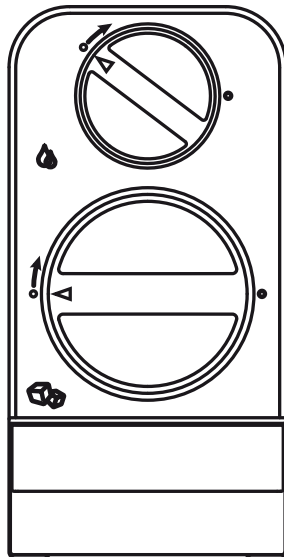
Operar com o produto

Para cancelar esta função premir de novo o botão congelar rápido (❄️). O indicador de congelar rápido desligará e o frigorífico voltará às definições normais. A função de congelar rápido é cancelada automaticamente após 24 hora se não a cancelar antes. Para congelar uma grande quantidade de alimentos frescos, premir o botão congelar rápido antes de colocar os alimentos no compartimento congelador.

5.6. Twist Icematic

(Esta característica é opcional)

- Retirar o depósito de água rodando-o para a esquerda.
- Abrir a tampa do depósito de água rodando-a e adicionar água ao depósito de água até à parte inferior da tampa do depósito de água.
- Colocar o depósito de água no lugar como mostrado na figura depois de adicionar água e o ter encaixado na direção da seta. A água deve ser vertida no compartimento do gelo.
- Quando o gelo estiver feito, rodar o botão do compartimento de gelo na direção da seta para permitir que o gelo caia para a gaveta do gelo.
- Retirar os cubos de gelo puxando a gaveta do gelo para fora.
- Puxar voltado para a frente em direção para poder lavar o compartimento do gelo, e depois volte a colocá-lo nas guias na zona interior e empurre o mesmo para a posição para que fique preparado novamente.
- Puxar o twist icematic para a frente para remover a unidade, e depois voltar a colocá-lo nas guias na zona superior e empurrar o mesmo para a posição para que fique preparado novamente.



Operar com o produto

5.7. Recipiente para o gelo

- Remover o depósito do gelo do compartimento de congelamento.
- Encher o depósito com água.
- Colocar o depósito do gelo do compartimento de congelamento. Duas horas mais tarde, o gelo está pronto para usar.
- Remover o depósito do gelo do compartimento de congelamento e dobrá-lo sobre uma placa de serviço. Os cubos de gelo cairão com facilidade para a placa de serviço.

5.8. Suporte para ovos

Pode instalar o suporte para ovos na porta pretendida ou na estrutura da prateleira. Se for colocado na estrutura de prateleiras então as prateleiras de refrigeração inferiores são as recomendadas.

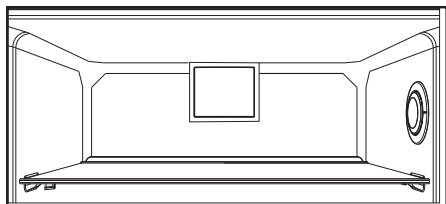


Colocar o depósito do gelo do compartimento de congelamento.

5.9. Ventilador

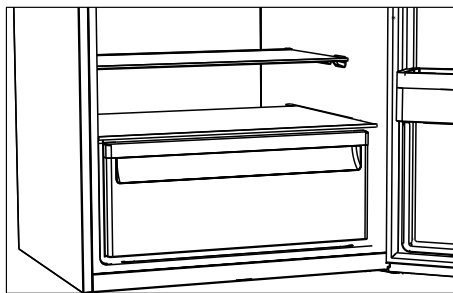
O ventilador tem a finalidade de assegurar uma distribuição homogénea e circulação do ar frio no interior do seu frigorífico. O tempo de funcionamento do ventilador pode variar dependendo das propriedades do seu produto.

Enquanto o ventilador está a funcionar apenas com o compressor nalguns produtos, o sistema de controlo determina o seu tempo de funcionamento em alguns produtos de acordo com os requisitos de refrigeração.



5.10. Gaveta para vegetais

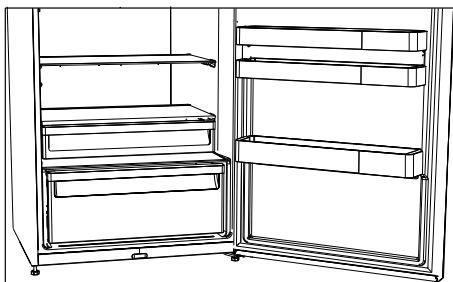
A gaveta para vegetais do produto destina-se especialmente a manter os vegetais frescos sem que percam a respetiva humidade. Para este efeito, a circulação de ar frio é intensificada de um modo geral em volta da gaveta para vegetais.



5.11. Compartimento refrigerador

(Esta característica é opcional)

Usar este compartimento para armazenar produtos delicados que devem ser armazenados a temperaturas baixas ou produtos de carne que devem ser consumidos num curto espaço de tempo. O compartimento refrigerador é o local mais fresco do seu frigorífico onde pode manter os produtos lácteos, carne, peixe e aves nas condições ideais de armazenamento. As frutas e os vegetais não devem ser armazenados neste compartimento.



Operar com o produto

5.12.Mover a prateleira da porta

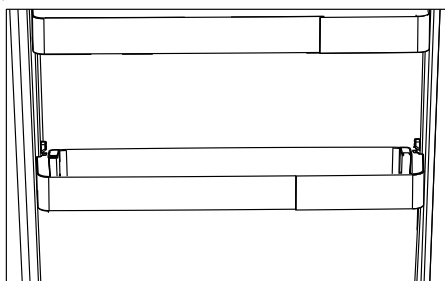
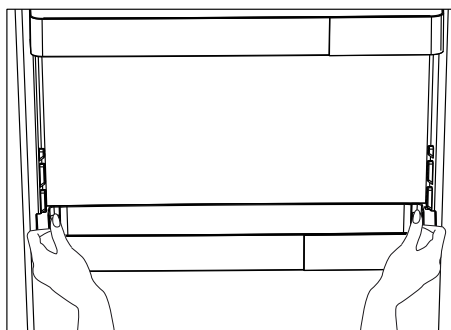
(Esta característica é opcional)

Ao mover a prateleira da porta pode fixá-la em 3 posições diferentes.

Premir os botões mostrados nas partes laterais simultaneamente de modo a mover a prateleira. A prateleira deve ser amovível.

Mover a prateleira para cima ou para baixo.

Soltar os botões quando tiver a prateleira na posição desejada. A prateleira deve ser fixada na posição depois de libertar os botões.

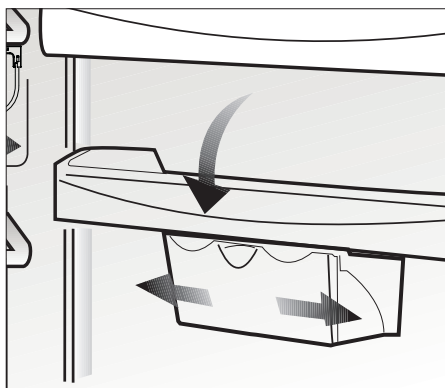


5.13.Recipiente de armazenamento deslizante

(Esta característica é opcional)

Este acessório é concebido para aumentar o volume de utilização das prateleiras da porta.

Permite-lhe com facilidade colocar garrafas mais altas e latas na prateleira de garrafas mais baixas graças à possibilidade de a mover para a direita ou para a esquerda.



5.14.Luz azul

(Esta característica é opcional)

Este acessório é concebido para aumentar o volume de utilização das prateleiras da porta.

Permite-lhe com facilidade colocar garrafas mais altas e latas na prateleira de garrafas mais baixas graças à possibilidade de a mover para a direita ou para a esquerda.

Operar com o produto

5.15. Gaveta de vegetais com humidade controlada

(FreSHelf)

(Esta característica é opcional)

As taxas de humidade dos vegetais e da fruta são mantidas sob controlo com a função de gaveta de vegetais com humidade controlada e os alimentos mantêm-se frescos durante mais tempo.

Recomendamos que coloque os vegetais de folhas como a alface, espinafres e os vegetais que são sensíveis à perda de humidade, na posição horizontal tanto quanto possível dentro da gaveta para vegetais, e não sobre as raízes na posição vertical.

Enquanto os vegetais estão a ser colocados, a gravidade específica dos mesmos deve ser tida em conta. Os vegetais pesados e rijos devem ser colocados na parte de baixo da gaveta para vegetais e os mais leves e macios devem ser colocados por cima.

Nunca deixar os vegetais dentro da gaveta dentro dos sacos. Se os vegetais forem deixados dentro dos sacos respetivos, isso dará origem à decomposição dos mesmos num curto período de tempo. No caso de não se pretender o contacto com outros vegetais por razões de higiene, deve usar papel perfurado ou outro tipo de materiais de embalagem semelhantes em vez do saco. Não colocar juntos peras, alperces, pêssegos, etc. e maçãs em especial as quais têm um elevado nível de geração de gás etileno na mesma gaveta de vegetais com outros vegetais e fruta. O gás etileno que é produzido por estes frutos pode dar origem a que outros frutos amadureçam mais rapidamente e entrem em decomposição num curto espaço de tempo.

5.16. Icematic automático

(Esta característica é opcional)

O Icematic automático permite-lhe fazer gelo com facilidade no frigorífico. Remover o depósito de água no compartimento do frigorífico, encher com água e instalá-lo novamente para obter gelo a partir do Icematic.

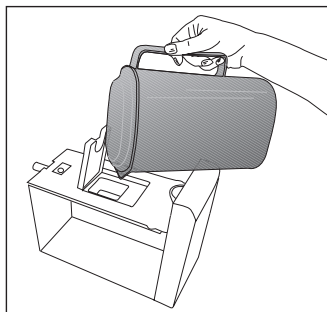
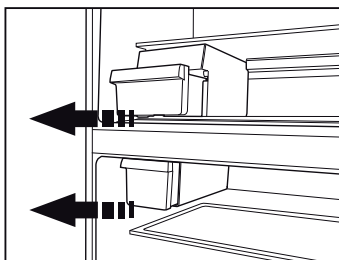
Os primeiros cubos de gelo estarão prontos em aproximadamente 2 horas, na gaveta do Icematic localizada no compartimento do congelador.

Se encher totalmente com água, tem possibilidade de obter aproximadamente 60-70 cubos de gelo.

Substituir a água no depósito da mesma se esta tiver sido colocada no mesmo há cerca de 2-3 semanas.



Para os produtos com Icematic automático, pode ser ouvido um som durante a queda do gelo. Este som é normal e não indício de qualquer erro.



Operar com o produto

5.17. Descrição e limpeza do filtro de odores

(Esta característica é opcional)

O filtro de odores impede a formação de odores desagradáveis no seu produto.

1. Puxar para baixo a tampa na qual está instalado o filtro de odores a partir da secção frontal e remover conforme mostrado.
2. Deixar o filtro ao sol durante um dia. O filtro será limpo durante este período.
3. Instalar novamente o filtro na sua posição.



O filtro de odores tem de ser limpo uma vez por ano.

5.18. HerbBox/HerbFresh

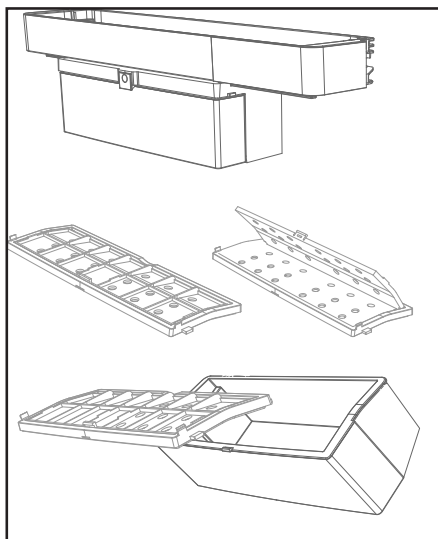
Remover o recipiente da película da HerbBox/HerbFresh+

Remover a película do saco e colocá-la no recipiente da película conforme mostrado na figura.

Fechar novamente o recipiente e voltar a colocá-lo no compartimento HerbBox/HerbFresh+.

Os compartimentos HerbBox/HerbFresh+ são ideais para o armazenamento das várias ervas aromáticas que são supostas serem guardadas em condições delicadas. Pode armazenar as suas ervas aromáticas não embaladas (salsa, endro, etc.) neste compartimento na posição horizontal e poderá assim mantê-las frescas durante muito mais tempo.



A película deve ser substituída em cada seis meses.




Operar com o produto

5.19.Utilizar a fonte de água fresca

*opcional



	É normal que a água dos primeiros copos retirados do dispensador esteja quente.
	Se o dispensador de água não for usado durante muito tempo, eliminar os primeiros copos de água para obter água limpa.

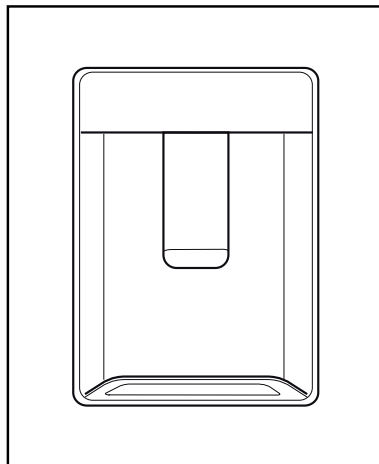
1. Empurrar a alavanca do dispensador de água com o seu copo. Se estiver a usar um copo de plástico macio, empurrar a alavanca com a mão para ser mais fácil.
2. Depois de encher o copo até ao nível pretendido, soltar a alavanca.

	Deve notar que a quantidade do fluxo de água do dispensador depende da velocidade com que solta a alavanca. À medida que o nível de água na sua taça/copo aumenta, reduzir suavemente a quantidade de pressão na alavanca para evitar derramamento. Se pressionar ligeiramente a alavanca, a água pingará, isto é muito normal e não é uma avaria.
---	--


5.20.Utilizar a fonte de água fresca

*opcional

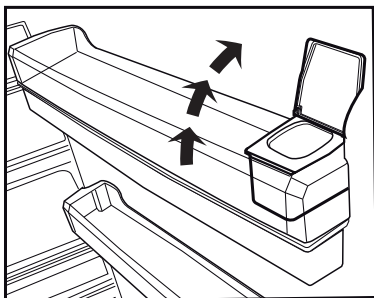
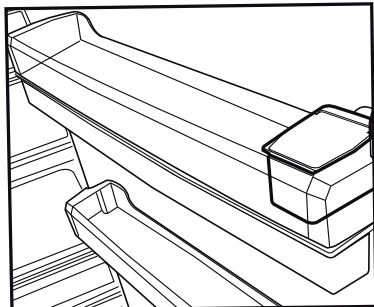
	É normal que a água dos primeiros copos retirados do dispensador esteja quente.
	Se o dispensador de água não for usado durante muito tempo, eliminar os primeiros copos de água para obter água limpa.



1. Empurrar a alavanca do dispensador de água com o seu copo. Se estiver a usar um copo de plástico macio, empurrar a alavanca com a mão para ser mais fácil.
2. Depois de encher o copo até ao nível pretendido, soltar a alavanca.

	Deve notar que a quantidade do fluxo de água do dispensador depende da velocidade com que solta a alavanca. À medida que o nível de água na sua taça/copo aumenta, reduzir suavemente a quantidade de pressão na alavanca para evitar derramamento. Se pressionar ligeiramente a alavanca, a água pingará, isto é muito normal e não é uma avaria.
---	--

Operar com o produto



5.21. Encher o depósito do dispensador de água

O reservatório para enchimento do depósito de água está localizado no interior da estrutura da porta.

1. Abrir a tampa do depósito.
2. Encher o depósito com água potável fresca.
3. Fechar a tampa.



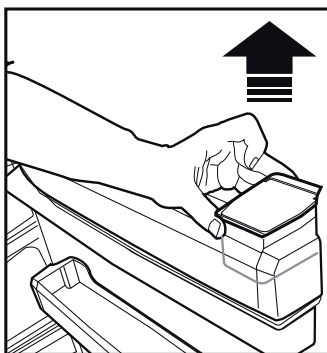
Não encher o depósito de água com qualquer outro líquido exceto água, como sumos de fruta, bebidas gasosas ou bebidas alcoólicas que não são adequadas para usar no dispensador de água. O dispensador de água ficará irremediavelmente danificado se forem usados estes tipos de líquidos. A garantia não cobre estas utilizações. Algumas substâncias químicas e aditivos contido neste tipo de bebidas/líquidos podem danificar o depósito da água.



Usar apenas água potável.



A capacidade do depósito de água é de 3 litros, não encher demasiado.



Operar com o produto

5.22. Limpar o depósito de água

1. Remover o reservatório de enchimento de água no interior da estrutura da porta.
2. Remover a estrutura da porta segurando em ambos os lados.
3. Segurar o depósito de água de ambos os lados e removê-lo com um ângulo de 45°C.
4. Remover a tampa do depósito de água e limpar o mesmo.



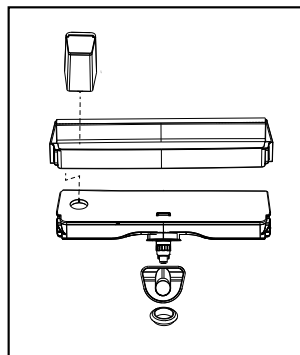
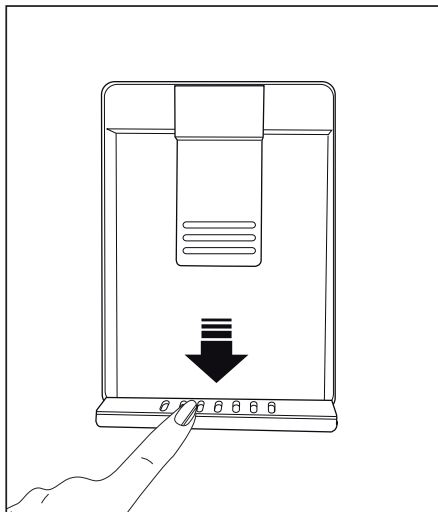
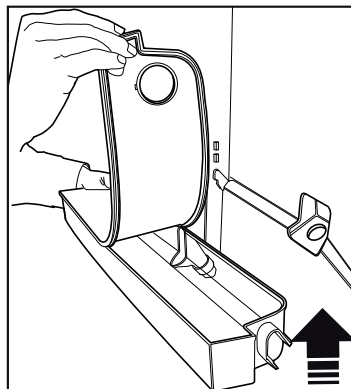
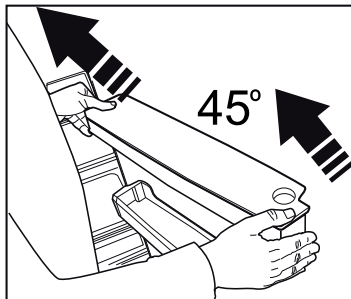
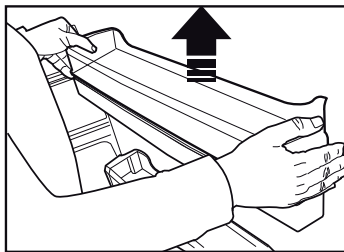
Os componentes do depósito de água e do dispensador de água não podem ser lavados na máquinas de lavar loiça.

5.23. Tabuleiro para gotas de água

A água que pinga enquanto está a usar o dispensador de água acumula-se no tabuleiros para os pingos de água.

Remover o filtro de plástico conforme mostrado na figura.

Com um pano limpo e seco, remover a água que ficou acumulada.



Operar com o produto

5.24. Congelar alimentos frescos

- De modo a preservar a qualidade dos alimentos, estes devem ser congelados tão rapidamente quanto possível quando é colocado no compartimento do congelador, usar a função de congelamento rápido para este efeito.
- Pode armazenar os alimentos durante mais tempo no compartimento do congelador quando os congela quando ainda estão frescos.
- Embalar os alimentos a serem congelados e fechar a embalagem de modo a que não haja entrada de ar.
- Assegurar que embala os seus alimentos antes de os colocar no congelador. Usar recipientes para congelamento, papel de alumínio e papel à prova de humidade, sacos de plástico ou materiais de embalagem semelhantes, em vez do papel de embalagem tradicional.
- Etiquetar cada uma das embalagens adicionando a data antes de congelar. Pode distinguir a frescura de cada embalagem de alimentos de cada vez que abre o congelador. Armazenar os alimentos congelados na parte frontal do compartimento para assegurar que são os primeiros a serem utilizados.



O compartimento do congelador descongela automaticamente.

- Os alimentos congelados têm de ser usados imediatamente depois de terem sido descongelados e não devem ser congelados novamente.
- Não congelar grandes quantidades de alimentos de uma só vez.

5.25. Recomendações para preservar alimentos congelados

O compartimento deve estar colocado a -18°C no mínimo.

1. Colocar as embalagens no congelador o mais rapidamente possível depois da compra sem permitir que descongelem.
2. Verificar se as datas de “Usar por” e “Validade” na embalagem já estão expiradas ou não antes de o congelar.
3. Assegurar que a embalagem dos alimentos não está danificada.

5.26. Informação do congelador

De acordo com as normas IEC 62552, o produto deve congelar pelo menos 4,5 kg de alimentos a 25°C de temperatura ambiente para -18°C ou mais baixa em 24 horas por cada 100 litros de volume do congelador.

É possível preservar os alimentos durante um longo período de tempo apenas a -18°C ou temperaturas mais baixas.

Definições do Compartimento Congelador	Definições do compartimento frigorífico	Observações
-18°C	4°C	Esta é a definição normal recomendada.
$-20, -22$ ou -24°C	4°C	Estas definições são recomendadas para temperaturas ambientes excedendo 30°C .
Congelamento Rápido	4°C	Usar quando pretender congelar os seus alimentos num curto espaço de tempo. O seu produto voltará ao modo anterior quando o processo termina.
-18°C ou mais frio	2°C	Usar estas definições se achar que o compartimento do seu frigorífico não estiver suficientemente frio devido às condições ambientais quentes ou à abertura e fecho frequente da porta.

Operar com o produto

Pode manter a frescura dos alimentos durante muitos meses (a -18°C ou temperaturas mais baixas na congelação profunda).

Os alimentos a serem congelados não devem entrar em contacto com itens anteriormente congelados para evitar que fiquem parcialmente descongelados. Ferver os vegetais e esvaziar a respetiva água de modo a guardar os vegetais congelados durante um longo período de tempo. Depois de esvaziar a respetiva água, colocá-los em embalagens de vácuo e colocar as mesmas dentro do congelador. Alimentos como as bananas, tomates, alface, aipo, ovos cozidos, batatas não são adequados para congelar. Quando estes alimentos são congelados, somente é afetado negativamente o seu valor nutricional e o seu sabor. Não devem deteriorados de modo que não criem situações de risco para a saúde humana.

5.27. Colocar alimentos

Prateleiras do compartimento congelador	Vários produtos congelados, incluindo carne, peixe, gelado, vegetais, etc.
Prateleiras do compartimento refrigerador	Alimentos em frigideiras, pratos com tampa e recipientes fechados, ovos (em recipiente fechado)
Prateleiras da porta do compartimento do frigorífico	Alimentos pequenos e embalados ou bebidas
Gaveta para vegetais	Vegetais e fruta
Compartimento de alimentos frescos	Charcutaria (pequeno almoço, produtos de carne a serem consumidos a curto prazo)

5.28. Botão para abrir a porta

(Esta característica é opcional)

O aviso de abertura da porta é dado ao utilizador tanto visual como acusticamente. Se o aviso continuar durante 10 minutos, as luzes no interior desligar-se-ão.

5.29. Mudar a direção da abertura da porta

A direção da abertura da porta do seu refrigerador pode ser alterada conforme o local em que o está a utilizar. Se isto for necessário, deve contactar o Serviço Autorizado mais próximo.

A descrição acima é uma informação geral. Para informação sobre como alterar a direção da abertura da porta, deve consultar o rótulo de advertência localizado no lado de dentro da porta.

5.30. Lâmpada de iluminação

As lâmpadas LED são usadas como lâmpadas de iluminação. Contactar o serviço autorizado no caso de surgir algum problema com este tipo de luz. A(s) lâmpada(s) usada(s) neste aparelho não são adequadas para iluminação de salas domésticas. O fim adequado desta lâmpada é ajudar o utilizador a colocar produtos alimentares no frigorífico/ congelador de forma segura e confortável.

5.31. Recomendações para preservar alimentos congelados

O compartimento deve estar colocado a -18°C no mínimo.

4. Colocar as embalagens no congelador o mais rapidamente possível depois da compra sem permitir que descongelem.
5. Verificar se as datas de "Usar por" e "Validade" na embalagem já estão expiradas ou não antes de o congelar.
6. Assegurar que a embalagem dos alimentos não está danificada.

Operar com o produto

5.32. Informação do congelador

De acordo com as normas IEC 62552, o produto deve congelar pelo menos 4,5 kg de alimentos a 25°C de temperatura ambiente para -18°C ou mais baixa em 24 horas por cada 100 litros de volume do congelador.

É possível preservar os alimentos durante um longo período de tempo apenas a -18°C ou temperaturas mais baixas.

Pode manter a frescura dos alimentos durante muitos meses (a -18°C ou temperaturas mais baixas na congelação profunda).

Os alimentos a serem congelados não devem entrar em contacto com itens anteriormente congelados para evitar que fiquem parcialmente descongelados. Ferver os vegetais e esvaziar a respetiva água de modo a guardar os vegetais congelados durante um longo período de tempo. Depois de esvaziar a respetiva água, colocá-los em embalagens de vácuo e colocar as mesmas dentro do congelador. Alimentos como as bananas, tomates, alface, aipo, ovos cozidos, batatas não são adequados para congelar. Quando estes alimentos são congelados, somente é afetado negativamente o seu valor nutricional e o seu sabor. Não devem deteriorados de modo que não criem situações de risco para a saúde humana.

5.33. Colocar alimentos

Prateleiras do compartimento congelador	Vários produtos congelados, incluindo carne, peixe, gelado, vegetais, etc.
Prateleiras do compartimento do refrigerador	Alimentos em frigideiras, pratos com tampa e recipientes fechados, ovos (em recipiente fechado)
Prateleiras da porta do compartimento do frigorífico	Alimentos pequenos e embalados ou bebidas
Gaveta para vegetais	Vegetais e fruta

Compartimento de alimentos frescos	Charcutaria (pequeno almoço, produtos de carne a serem consumidos a curto prazo)
------------------------------------	--

5.34. Botão para abrir a porta

(Esta característica é opcional)

O aviso de abertura da porta é dado ao utilizador tanto visual como acusticamente. Se o aviso continuar durante 10 minutos, as luzes no interior desligar-se-ão.

5.35. Mudar a direção da abertura da porta

A direção da abertura da porta do seu refrigerador pode ser alterada conforme o local em que o está a utilizar. Se isto for necessário, deve contactar o Serviço Autorizado mais próximo.

A descrição acima é uma informação geral. Para informação sobre como alterar a direção da abertura da porta, deve consultar o rótulo de advertência localizado no lado de dentro da porta.

5.36. Lâmpada de iluminação

As lâmpadas LED são usadas como lâmpadas de iluminação. Contactar o serviço autorizado no caso de surgir algum problema com este tipo de luz. A(s) lâmpada(s) usada(s) neste aparelho não são adequadas para iluminação de salas domésticas. O fim adequado desta lâmpada é ajudar o utilizador a colocar produtos alimentares no frigorífico/ congelador de forma segura e confortável.

6 Manutenção e limpeza

A vida útil do produto aumenta se este for limpo regularmente.



ADVERTÊNCIA: Desligar em primeiro lugar o produto antes de limpar o frigorífico.

- Nunca usar para a limpeza utensílios afiados e abrasivos, detergente, soluções de limpeza doméstica, cera para polir.
- Dissolver uma colher de chá de carbonato em meio litro de água. Embeber um pano com a solução e torcê-lo totalmente. Limpar o interior do aparelho com este pano e secar totalmente.
- Assegurar que não entra água no compartimento da lâmpada e de outros itens elétricos.
- Limpar a porta usando um pano húmido. Para remover a porta e a estrutura das prateleiras, remover todo o seu conteúdo. Remover as prateleiras da porta movendo-as para cima. Depois de limpar, deslizar as mesmas do topo para a base para as instalar.
- Nunca usar soluções de limpeza ou água que contenha lexívia para limpar as superfícies exteriores e as partes cromadas do produto. A lexívia dá origem a corrosão nas referidas superfícies metálicas.

6.1. Evitar maus odores

Os materiais que podem causar odores não são usados na produção dos nossos equipamentos. No entanto, devido a condições deficientes de conservação de alimentos e à não limpeza da superfície interior do aparelho conforme é necessário, isso pode dar origem ao problema do odor.

Portanto, limpar o frigorífico com carbonato dissolvido em água em cada duas semanas.

- Manter os alimentos em recipientes fechados. Os microorganismos espalham-se a partir dos recipientes não tapados e podem dar origem a odores desagradáveis.
- Nunca guardar alimentos no frigorífico com a data de validade ultrapassada ou se estiverem estragados.

6.2. Proteger superfícies de plástico

Limpar imediatamente com água morna dado o óleo poder causar danos na superfície quando é derramado sobre superfícies plásticas.

6.3. Vidros da Porta

Retirar toda a película de proteção dos vidros.

Há um revestimento nas superfícies de vidro. Este revestimento minimiza a formação de manchas e ajuda a remover as possíveis manchas e sujidade com facilidade. Os vidros que não estão protegidos com o referido revestimento podem estar sujeitos à pressão persistente de sujidade orgânica ou inorgânica baseada em água ou ar como o calcário, sais minerais, hidrocarbonetos não queimados, óxidos de metal e silicões que podem fácil e rapidamente causar manchas ou danos no material. Manter o vidro limpo torna-se muito difícil apesar da limpeza regular. Consequentemente, o aspeto e a transparência do vidro deteriora-se. Métodos e compostos de limpeza abrasivos e corrosivos intensificarão estes defeitos e acelerarão o processo de deterioração.

Têm de ser usados produtos de limpeza baseados em água que não são alcalinos e corrosivos para a limpeza regular.

Têm de ser usados materiais não alcalinos e não corrosivos para a limpeza de modo que a vida útil deste revestimento dure durante um longo período de tempo. Estes vidros são temperados para aumentar a sua durabilidade contra impactos e quebra. É igualmente aplicada uma película de segurança nas respetivas superfícies traseiras como medida suplementar de modo a impedir que causem danos à sua volta no caso de uma quebra.

“Alcali é uma base que forma os iões de hidróxido (OH) quando é dissolvido na água.

Li (Lítio), Na (Sódio), K (Potássio) Rb (Rubídio), Cs (Césio) e metais artificiais e radioativos Fr (Fân-sium) são designados por METAIS ALCALINOS.

7 Resolução de problemas

Verificar a lista antes de contactar a assistência. Fazer isto poupa-lhe tempo e dinheiro. Esta lista inclui queixas frequentes que não estão relacionadas com o fabrico ou materiais defeituosos. Certas características mencionadas neste documento podem não ser aplicáveis ao seu produto.

O frigorífico não está a funcionar.

- A ficha de alimentação não está totalmente ajustada. >>> Ligá-la para a ajustar completamente à tomada.
- O fusível ligado à tomada de ligação do produto ou o fusível principal está queimado. >>> Verificar os fusíveis.

Condensação na parede lateral do compartimento refrigerador (ZONA MÚLTIPLA, ZONA DE FRESCOS, CONTROLO e FLEXIVEL).

- A porta é aberta com muita frequência >>> Ter cuidado para não abrir a porta do produto tão frequentemente.
- O ambiente está demasiado húmido. >>> Não instalar o produto em ambientes húmidos.
- Alimentos contendo líquidos estão colocados em recipientes não fechados. >>> Manter os alimentos contendo líquidos em recipientes fechados.
- A porta do produto foi deixada aberta. >>> Não manter a porta do produto aberta por períodos longos.
- O termostato está definido para temperatura demasiado baixa. >>> Definir o termostato para temperatura adequada.

O compressor não está a funcionar.

- Em caso de falta de energia repentina ou retirar a ficha de alimentação e colocar de novo, a pressão do gás no sistema de refrigeração do produto não é equilibrada, o que desencadeia a salvaguarda térmica do compressor. O produto voltará a ligar-se depois de aproximadamente 6 minutos. Se o produto não se voltar a ligar depois deste período, contactar a assistência.
- Descongelação está activa. >>> Isto é normal para um produto de descongelação totalmente automática. A descongelação é executada periodicamente.
- O produto não está ligado. >>> Assegurar que o cabo de alimentação está ligado.
- A definição de temperatura é incorrecta. >>> Seleccionar a definição de temperatura adequada.
- Não há energia. >>> O produto continuará a funcionar normalmente assim que a energia seja restabelecida.

O ruído de funcionamento do frigorífico aumenta durante a utilização.

- O desempenho de funcionamento do produto pode variar dependendo das variações de temperatura do ambiente. Isto é normal e não é um mau funcionamento.

O frigorífico funciona muito frequentemente ou por muito tempo.

Resolução de problemas

- O novo produto pode ser maior do que o anterior. Produtos maiores funcionam por períodos mais longos.
- A temperatura da sala pode ser elevada. >>> O produto funcionará normalmente por períodos mais longos com temperaturas de sala mais elevadas.
- O produto foi ligado recentemente ou foi colocado no interior um novo alimento. >>> O produto levará mais tempo a atingir a temperatura definida quando recentemente ligado ou quando é colocado um novo alimento no interior. Isto é normal.
- Grandes quantidades de alimentos quentes podem ter sido colocadas recentemente no produto. >>> Não colocar alimentos quentes no produto.
- As portas foram abertas frequentemente ou deixadas abertas por períodos longos. >>> O ar quente que se move no interior fará o produto funcionar mais tempo. Não abrir as portas com demasiada frequência.
- A porta do congelador ou refrigerador pode estar entreaberta. >>> Verificar se as portas estão completamente fechadas.
- O produto pode estar definido para temperatura demasiado baixa. >>> Definir a temperatura para um grau mais elevado e aguardar que o produto atinja a temperatura ajustada.
- A junta da porta do congelador ou refrigerador pode estar suja, desgastada, partida ou não ajustada adequadamente. >>> Limpar ou substituir a junta. A junta da porta danificada / cortada fará o produto funcionar por períodos mais longos para preservar a temperatura actual.

A temperatura do congelador está muito baixa, mas a temperatura do refrigerador é adequada.

- A temperatura do compartimento de congelação está definida para um grau muito baixo. >>> Definir a temperatura do compartimento de congelação para um grau mais elevado e verificar de novo.

A temperatura do refrigerador está muito baixa, mas a temperatura do congelador é adequada.

- A temperatura do compartimento de refrigeração está definida para um grau muito baixo. >>> Definir a temperatura do compartimento de refrigeração para um grau mais elevado e verificar de novo.

Os alimentos guardados em gavetas do compartimento de refrigeração estão congelados.

- A temperatura do compartimento de refrigeração está definida para um grau muito baixo. >>> Definir a temperatura do compartimento de congelação para um grau mais elevado e verificar de novo.

A temperatura no refrigerador ou congelador é demasiado elevada.

- A temperatura do compartimento de refrigeração está definida para um grau muito elevado. >>> A definição de temperatura do compartimento de refrigeração influencia a temperatura do compartimento de congelação. Altere a temperatura do compartimento de refrigeração ou congelação e aguarde até que os referidos compartimentos atinjam o nível de temperatura ajustado.
- As portas foram abertas frequentemente ou deixadas abertas por períodos longos. >>> Não abrir as portas com demasiada frequência.
- A porta pode estar entreaberta. >>> Fechar completamente a porta.
- O produto foi ligado recentemente ou foi colocado no interior um novo alimento. >>> Isto é normal. O produto levará mais tempo a atingir a temperatura definida quando recentemente ligado ou um novo alimento é colocado no interior.
- Grandes quantidades de alimentos quentes podem ter sido colocadas recentemente no produto. >>> Não colocar alimentos quentes no produto.

Vibração ou ruído.

Resolução de problemas

- O chão não está nivelado ou não é resistente. >>> Se o produto vibra quando movido lentamente, ajustar os pés para equilibrar o produto. Assegurar também que o chão é suficientemente resistente para suportar o produto.
- Alguns itens colocados no produto podem causar ruídos. >>> Retirar alguns itens colocados no produto.

O produto está a fazer ruído de líquido a fluir, pulverização, etc.

- Os princípios de funcionamento do produto incluem fluidos líquidos e gasosos. >>> Isto é normal e não um mau funcionamento.

Há som de vento a soprar proveniente do produto.

- O produto usa uma ventoinha no processo de refrigeração. Isto é normal e não é um mau funcionamento.

Há condensação nas paredes internas do produto.

- Meio ambiente quente ou húmido aumentará a formação de gelo e condensação. Isto é normal e não é um mau funcionamento.
- As portas foram abertas frequentemente ou deixadas abertas por períodos longos. Não abrir as portas com demasiada frequência; se aberta, fechar a porta.
- A porta pode estar entreaberta. >>> Fechar completamente a porta.

Há condensação no exterior do produto ou entre as portas.

- O meio ambiente pode estar húmido, isto é perfeitamente normal com tempo húmido. >>> A condensação dissipa quando a humidade diminuir.

O interior cheira mal.

- O produto não é limpo regularmente. >>> Limpar o interior regularmente usando uma esponja, água quente e água com carbonato.
- Alguns recipientes e materiais de embalagem podem provocar odores. >>> Usar recipientes e materiais de embalagem isentos de odor.
- Os alimentos foram colocados em recipientes não vedados. >>> Manter os alimentos em recipientes fechados. Os microrganismos podem disseminar-se dos alimentos não fechados e causar mau cheiro.
- Retirar quaisquer alimentos fora de prazo e estragados do frigorífico.

A porta não está a fechar.

- Embalagens de alimentos podem bloquear a porta. >>> Recolocar quaisquer itens que bloqueiem as portas.
- O produto não está colocado em posição vertical no chão. >>> Ajustar os pés para equilibrar o produto.
- O chão não está nivelado ou não é resistente. >>> Assegurar que o chão é nivelado e suficientemente resistente para suportar o produto.

A gaveta para vegetais está presa.

- Os alimentos podem estar em contacto com a secção superior da gaveta. >>> Reorganizar os alimentos na gaveta.

Se a superfície do produto estiver quente.

- Podem notar-se temperaturas elevadas entre as duas portas, nos painéis laterais e na grelha traseira quando o produto está a funcionar. Esta situação é normal e não exige serviço de manutenção!



RECOMENDAÇÕES: Se os problemas persistirem depois de seguir as instruções nesta secção, contactar o seu vendedor ou uma Assistência Autorizada. Não tentar reparar o produto.



58 0118 0000/AA

2/2

PT



www.beko.com