



**Refrigerator**

User Manual

**Refrigerador**

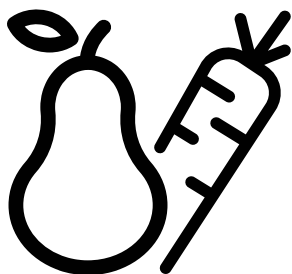
Manual del usuari

**Réfrigérateur**

Manuel d'utilisation

**Frigorifero**

Manuale utente



RDNE350K20X-RDNE350K20XB

**EN/ES/FR/IT**

57 9941 0000/AD 1/2 EN-ES-FR-IT

## **Please read this user manual first!**

Dear Customer,

We hope that your product, which has been produced in modern plants and checked under the most meticulous quality control procedures, will provide you an effective service.

Therefore, read this entire user manual carefully before using the product and keep it as a reference. If you handover the product to someone else, give the user manual as well.

### **The user manual will help you use the product in a fast and safe way.**


- Read the manual before installing and operating the product.
- Make sure you read the safety instructions.
- Keep the manual in an easily accessible place as you may need it later.
- Read the other documents given with the product.

Remember that this user manual is also applicable for several other models. Differences between models will be identified in the manual.

### **Explanation of symbols**

#### **Throughout this user manual the following symbols are used:**

 Important information or useful tips.

 Warning against dangerous conditions for life and property.

 Warning against electric voltage.

## CONTENTS

### **1 Your Refrigerator** **3**

### **2 Safety and Environment Instructions** **4**

General Safety .....	4
Intended Use .....	7
Child Safety .....	7
Compliance with WEEE Directive and Disposing of the Waste Product.....	7
Compliance with RoHS Directive .....	7
Package Information.....	7
Recommendations for the fresh food compartment.....	8

### **3 Installation** **9**

Points to be paid attention to when the relocation of the refrigerator .....	9
Electrical connection.....	10
Disposing of the packaging .....	10
Disposing of your old refrigerator .....	10
Placing and Installation .....	10
Changing the illumination lamp .....	11
Adjusting the legs .....	11

### **4 Preparation** **12**

### **5 Using your refrigerator** **13**

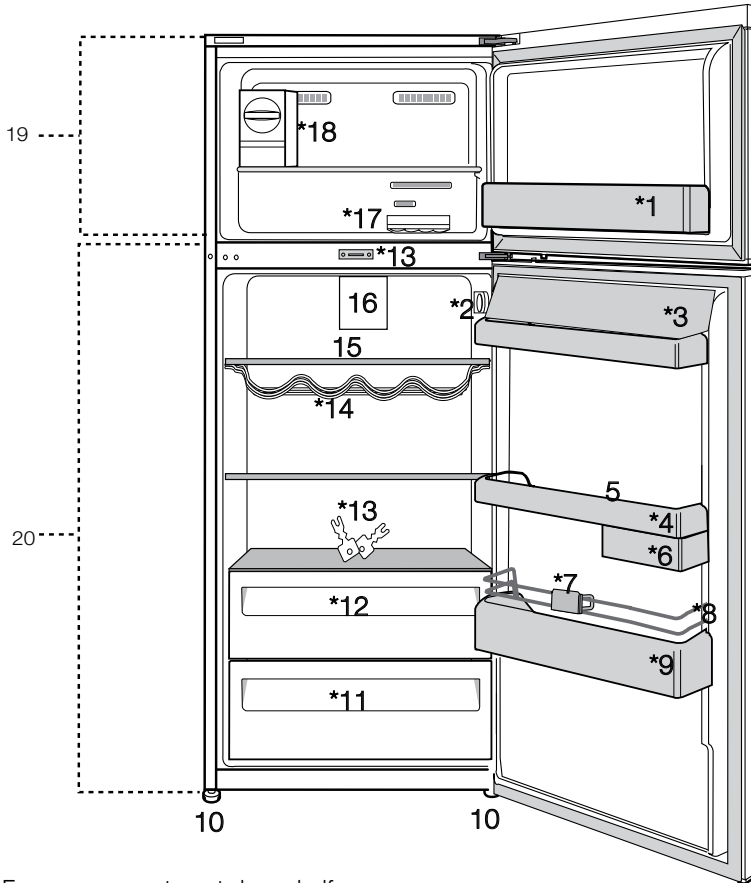
Temperature setting button.....	13
Setting the temperature of your refrigerator.....	13
Dual cooling system .....	13
Vacation Function .....	13
Freezing fresh food .....	14
Recommendations for preservation of frozen food .....	14
Placing the food .....	14
Deep-freeze information .....	15
Stopping your product.....	15
Chill compartment .....	16
Making ice.....	16
Rotary storage container .....	17
Icematic and ice storage container ..	17
Description and cleaning of odor filter .....	18
Reversing the doors .....	19
Reversing the doors .....	20

### **6 Maintenance and cleaning** **21**

Protection of plastic surfaces .....	21
--------------------------------------	----

### **7 Troubleshooting** **22**

# 1 Your Refrigerator



- |                                   |                                      |
|-----------------------------------|--------------------------------------|
| 1. Freezer compartment door shelf | 12. Chiller compartment              |
| 2. Temperature setting button     | 13. Key                              |
| 3. Butter & Cheese sections       | 14. Wine cellar                      |
| 4. Fridge compartment door shelf  | 15. Fridge compartment glass shelves |
| 5. Egg holders                    | 16. Blower                           |
| 6. Rotary storage container       | 17. Ice container                    |
| 7. Bottle holder                  | 18. Icematic                         |
| 8. Shelter wire                   | 19. Freezer compartment              |
| 9. Bottle shelf                   | 20. Fridge compartment               |
| 10. Adjustable legs               | <b>*optional</b>                     |
| 11. Crisper                       |                                      |





Figures that take place in this instruction manual are schematic and may not correspond exactly with your product. If the subject parts are not included in the product you have purchased, then it is valid for other models.

## 2


## Safety and Environment Instructions

This section provides the safety instructions necessary to prevent the risk of injury and material damage. Failure to observe these instructions will invalidate all types of product warranty.

### Intended use

	<b>WARNING:</b> Keep ventilation openings, in the appliance enclosure or in the built-in structure, clear of obstruction.
	<b>WARNING:</b> Do not use mechanical devices or other means to accelerate the defrosting process, other than those recommended by the manufacturer.
	<b>WARNING:</b> Do not damage the refrigerant circuit.
	<b>WARNING:</b> Do not use electrical appliances inside the food storage compartments of the appliance, unless they are of the type recommended by the manufacturer.

### WARNING:

 Do not store explosive substances such as aerosol cans with a flammable propellant in this appliance.

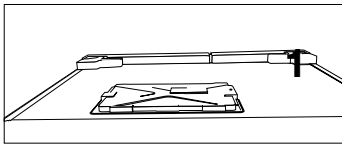
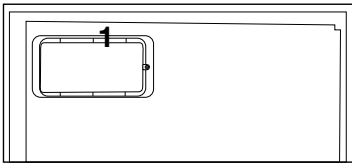
This appliance is intended to be used in household and similar applications such as

- staff kitchen areas in shops, offices and other working environments;
- farm houses and by clients in hotels, motels and other residential type environments;
- bed and breakfast type environments;
- catering and similar non-retail applications.

### General Safety

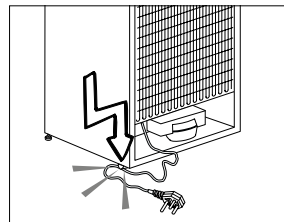
- This product should not be used by persons with physical, sensory and mental disabilities, without sufficient knowledge and experience or by children. The device can only be used by such persons under supervision and instruction of a person responsible for their safety. Children should not be allowed to play with this device.
- In case of malfunction, unplug the device.
- After unplugging, wait at least 5 minutes before plugging in again.
- Unplug the product when not in use.
- Do not touch the plug with wet hands! Do not pull the cable to plug off, always hold the plug.

- Do not plug in the refrigerator if the socket is loose.
- Unplug the product during installation, maintenance, cleaning and repair.
- If the product will not be used for a while, unplug the product and remove any food inside.
- Do not use the product when the compartment with circuit cards located on the upper back part of the product (electrical card box cover) (1) is open.



- Do not use steam or steamed cleaning materials for cleaning the refrigerator and melting the ice inside. Steam may contact the electrified areas and cause short circuit or electric shock!
- Do not wash the product by spraying or pouring water on it! Danger of electric shock!
- In case of malfunction, do not use the product, as it may cause electric shock. Contact the authorized service before doing anything.
- Plug the product into an earthed socket. Earthing must be done by a qualified electrician.
- If the product has LED type lighting, contact the authorized service for replacing or in case of any problem.

- Do not touch frozen food with wet hands! It may adhere to your hands!
- Do not place liquids in bottles and cans into the freezer compartment. They may burst out!
- Place liquids in upright position after tightly closing the lid.
- Do not spray flammable substances near the product, as it may burn or explode.
- Do not keep flammable materials and products with flammable gas (sprays, etc.) in the refrigerator.
- Do not place containers holding liquids on top of the product. Splashing water on an electrified part may cause electric shock and risk of fire.
- Exposing the product to rain, snow, sunlight and wind will cause electrical danger. When relocating the product, do not pull by holding the door handle. The handle may come off.
- Take care to avoid trapping any part of your hands or body in any of the moving parts inside the product.
- Do not step or lean on the door, drawers and similar parts of the refrigerator. This will cause the product to fall down and cause damage to the parts.
- Take care not to trap the power cable.



- When positioning the appliance, ensure the supply cord is not trapped or damaged.
- Do not locate multiple portable socket-outlets or portable power supplies at the rear of the appliance.
- Children aged from 3 to 8 years are allowed to load and unload refrigerating appliances.
- To avoid contamination of food, please respect the following instructions:
  - Opening the door for long periods can cause a significant increase of the temperature in the compartments of the appliance.
  - Clean regularly surfaces that can come in contact with food and accessible drainage systems.
  - Clean water tanks if they have not been used for 48 h; flush the water system connected to a water supply if water has not been drawn for 5 days.
  - Store raw meat and fish in suitable containers in the refrigerator, so that it is not in contact with or drip onto other food.
  - Two-star frozen-food compartments are suitable for storing pre-frozen food, storing or making icecream and making ice cubes.
  - One-, two- and three-star compartments are not suitable for the freezing of fresh food.
  - If the refrigerating appliance is left empty for long periods, switch off, defrost, clean, dry, and leave the door open to prevent mould developing within the appliance.

### 1.1.1 HC Warning

If the product comprises a cooling system using R600a gas, take care to avoid damaging the cooling system and its pipe while using and moving the product. This gas is flammable. If the cooling system is damaged, keep the product away from sources of fire and ventilate the room immediately.



The label on the inner left side indicates the type of gas used in the product.

### 1.1.2 For Models with Water Dispenser

- Pressure for cold water inlet shall be maximum 90 psi (6.2 bar). If your water pressure exceeds 80 psi (5.5 bar), use a pressure limiting valve in your mains system. If you do not know how to check your water pressure, ask for the help of a professional plumber.
- If there is risk of water hammer effect in your installation, always use a water hammer prevention equipment in your installation. Consult Professional plumbers if you are not sure that there is no water hammer effect in your installation.
- Do not install on the hot water inlet. Take precautions against the risk of freezing of the hoses. Water temperature operating interval shall be 33°F (0.6°C) minimum and 100°F (38°C) maximum.
- Use drinking water only.

## Intended Use

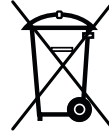
- This product is designed for home use. It is not intended for commercial use.
- The product should be used to store food and beverages only.
- Do not keep sensitive products requiring controlled temperatures (vaccines, heat sensitive medication, medical supplies, etc.) in the refrigerator.
- The manufacturer assumes no responsibility for any damage due to misuse or mishandling.
- Original spare parts will be provided for 10 years, following the product purchasing date.

## Child Safety

- Keep packaging materials out of children's reach.
- Do not allow the children to play with the product.
- If the product's door comprises a lock, keep the key out of children's reach.

## Compliance with WEEE Directive and Disposing of the Waste Product

This product complies with EU WEEE Directive (2012/19/EU). This product bears a classification symbol for waste electrical and electronic equipment (WEEE).



This product has been manufactured with high quality parts and materials which can be reused and are suitable for recycling. Do not dispose of the waste product with normal domestic and other wastes at the end of its service life. Take it to the

collection center for the recycling of electrical and electronic equipment. Please consult your local authorities to learn about these collection centers.

## Compliance with RoHS Directive

- This product complies with EU WEEE Directive (2011/65/EU). It does not contain harmful and prohibited materials specified in the Directive.

## Package Information

Packaging materials of the product are manufactured from recyclable materials in accordance with our National Environment Regulations. Do not dispose of the packaging materials together with the domestic or other wastes. Take them to the packaging material collection points designated by the local authorities.

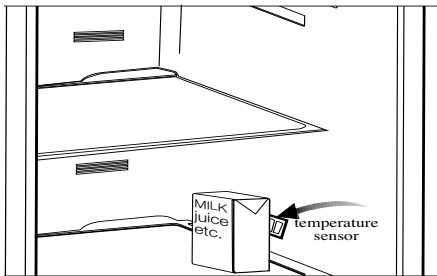
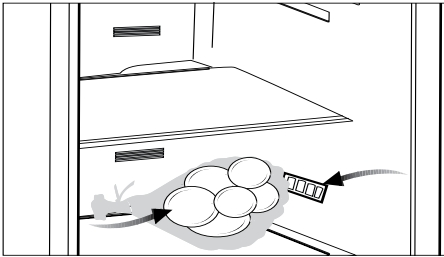


## Recommendations for the fresh food compartment

**\*May not be available in all models**

Do not allow the food to touch the temperature sensor in fresh food compartment. To allow the fresh food compartment keep its ideal storage temperature, sensor must not be hindered by food.

Do not place hot foods in the product.



### 3 Installation

⚠ In case the information which are given in the user manual are not taken into account, manufacturer will not assume any liability for this.

#### Points to be paid attention to when the relocation of the refrigerator

1. Your refrigerator should be unplugged. Before transportation of your refrigerator, it should be emptied and cleaned.

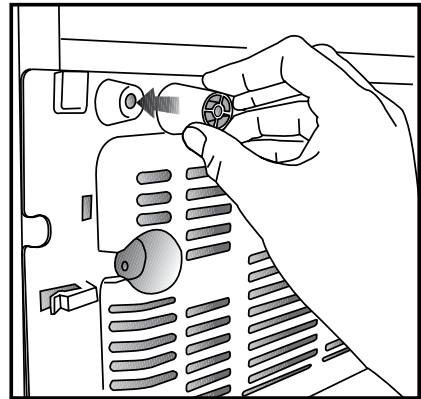
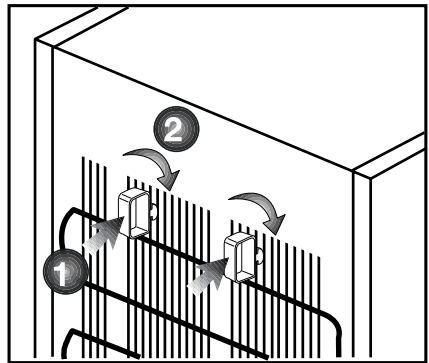
2. Before it is re-packaged, shelves, accessories, crisper, etc. inside your refrigerator should be fixed with adhesive tape and secured against impacts. Package should be bound with a thick tape or sound ropes and the transportation rules on the package should be strictly observed.

3. Original packaging and foam materials should be kept for future transportations or moving.

Before you start the refrigerator,

#### Check the following before you start to use your refrigerator:

1. Attach 2 plastic wedges as illustrated below. Plastic wedges are intended to keep the distance which will ensure the air circulation between your refrigerator and the wall. (The picture is drawn up as a representation and it is not identical with your product.)



2. Clean the interior of the refrigerator as recommended in the “Maintenance and cleaning” section.

3. Connect the plug of the refrigerator to the wall socket. When the fridge door is opened, fridge internal lamp will turn on.

4. When the compressor starts to operate, a sound will be heard. The liquid and gases sealed within the refrigeration system may also give rise to noise, even if the compressor is not running and this is quite normal.

5. Front edges of the refrigerator may feel warm. This is normal. These areas are designed to be warm to avoid condensation.

## Electrical connection

Connect your product to a grounded socket which is being protected by a fuse with the appropriate capacity.

### Important:

The connection must be in compliance with national regulations.

- The power plug must be easily accessible after installation.
- Electrical safety of your refrigerator shall be guaranteed only if the earth system in your house complies with standards.
- The voltage stated on the label located at left inner side of your product should be equal to your network voltage.
- Extension cables and multi plugs must not be used for connection.

⚠ A damaged power cable must be replaced by a qualified electrician.

⚠ Product must not be operated before it is repaired! There is the risk of electric shock!

## Disposing of the packaging

The packing materials may be dangerous for children. Keep the packing materials out of the reach of children or dispose of them by classifying them in accordance with the waste instructions stated by your local authorities. Do not throw away with regular house waste, throw away on packaging pick up spots designated by the local authorities.

The packing of your refrigerator is produced from recyclable materials.

## Disposing of your old refrigerator

Dispose of your old refrigerator without giving any harm to the environment.

- You may consult your authorized dealer or waste collection center of your municipality about the disposal of your refrigerator.

Before disposing of your refrigerator, cut out the electric plug and, if there are any locks on the door, make them inoperable in order to protect children against any danger.

## Placing and Installation

⚠ If the entrance door of the room where the refrigerator will be installed is not wide enough for the refrigerator to pass through, then call the authorized service to have them remove the doors of your refrigerator and pass it sideways through the door.

1. Install your refrigerator to a place that allows ease of use.

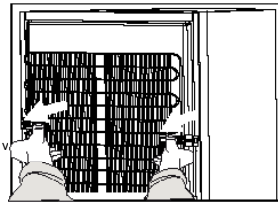
2. Keep your refrigerator away from heat sources, humid places and direct sunlight.

3. There must be appropriate air ventilation around your refrigerator in order to achieve an efficient operation. If the refrigerator is to be placed in a recess in the wall, there must be at least 5 cm distance with the ceiling and at least 5 cm with the wall. Do not place your product on the materials such as rug or carpet.

4. Place your refrigerator on an even floor surface to prevent jolts.

- The condenser of your appliance is located on the back as shown below. In order to achieve better energy efficiency with lower energy consumption, please pull the condenser towards yourself as illustrated in picture below. The condenser position will be fixed firmly by means of locking mechanism of the top holders on each side.

\* OPTIONAL



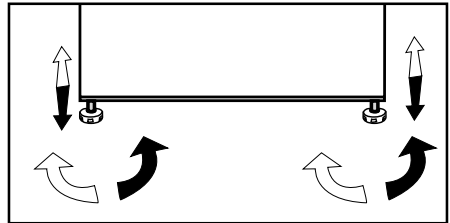
## Changing the illumination lamp

To change the Bulb/LED used for illumination of your refrigerator, call your AuthorisedService.

The lamp(s) used in this appliance is not suitable for household room illumination. The intended purpose of this lamp is to assist the user to place foodstuffs in the refrigerator/freezer in a safe and comfortable way. The lamps used in this appliance have to withstand extreme physical conditions such as temperatures below  $-20\text{ }^{\circ}\text{C}$ . (only chest and upright freezer)

## Adjusting the legs

If your refrigerator is unbalanced; You can balance your refrigerator by turning its front legs as illustrated in the figure. The corner where the leg exists is lowered when you turn in the direction of black arrow and raised when you turn in the opposite direction. Taking help from someone to slightly lift the refrigerator will facilitate this process.

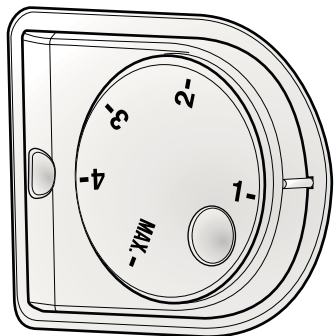


## 4 Preparation

---

- Your cooler/freezer should be installed at least 30 cm away from heat sources such as hobs, ovens, central heater and stoves and at least 5 cm away from electrical ovens and should not be located under direct sunlight.
- Please make sure that the interior of your cooler/freezer is cleaned thoroughly.
- If two coolers are to be installed side by side, there should be at least 2 cm distance between them.
- When you operate your cooler/freezer for the first time, please observe the following instructions during the initial six hours.
- Its door should not be opened frequently.
- It must be operated empty without placing any food in it.
- Do not unplug your cooler/freezer. If a power failure occurs out of your control, please see the warnings in the “Recommended solutions for the problems” section.
- The baskets/drawers that are provided with the chill compartment must always be in use for low energy consumption and for better storage conditions.
- Food contact with the temperature sensor in the freezer compartment may increase energy consumption of the appliance. Thus any contact with the sensor(s) must be avoided.
- This product has been designed to function at ambient temperatures up to 43 °C (90 SDgrF). Even if the ambient temperature falls to -15 °C, frozen food in the freezer does not thaw thanks to its Advanced Electronic Temperature Control System. For the first installation, the product should NOT be placed under low ambient temperatures. This is because the freezer cannot go down to standard operation temperature. When reaching continuous operation, the product can be moved to another place. Thus, later you can place your product in the garage or an unheated room without the concern of causing frozen food to get rotten. However, it is likely that above mentioned low temperatures may cause the freezing of the food in the fridge compartment; thus, please consume the food items in the fridge in a controlled way as needed. When ambient temperature goes back to normal, you may change button setting according to your need.
- If the ambient temperature is below 0°C, the food in fridge compartment will freeze. Therefore, we recommend not using the fridge compartment in such low ambient temperatures. You may continue to use the freezer compartment as usual.
- In some models, the instrument panel automatically turns off 5 minutes after the door has closed. It will be reactivated when the door has opened or pressed on any key.
- Due to temperature change as a result of opening/closing the product door during operation, condensation on the door/body shelves and the glass containers is normal.

## 5 Using your refrigerator



### Temperature setting button

Temperature setting button allows you to make the temperature setting of your refrigerator.

### Setting the temperature of your refrigerator

The overall temperature setting of your refrigerator is made by means of the temperature setting button on the right wall of the fridge compartment. This button has 5 different temperature setting position. Select the position suitable to your needs.

### Dual cooling system

Your refrigerator is equipped with two separate cooling systems to cool the fresh food compartment and freezer compartment. Thus, air in the fresh food compartment and freezer compartment do not get mixed. Thanks to these two separate cooling systems, cooling speed is much higher than other refrigerators. Odours in the compartments do not get mixed. Also additional power saving is provided since the automatic defrosting is performed individually.

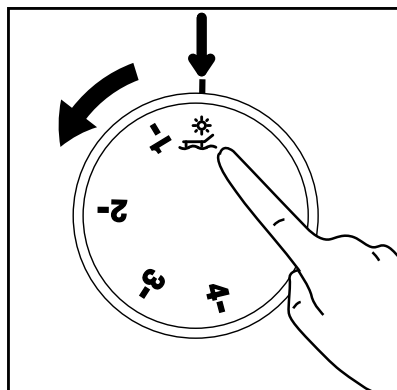
### Vacation Function

If the doors of the product are not opened for 12 hours after the thermostat is switched to the hottest position, then the vacation function will be activated automatically.

Open the door of the product or change the thermostat setting to cancel the function.

Vacation function is optional. It may vary depending on the product type and may not be contained in every product.


It is not recommended to store food in cooler compartment when the vacation function is active.



## Freezing fresh food

- It must be preferred to wrap or cover the food before placing them in the refrigerator.
- Hot food must cool down to the room temperature before putting them in the refrigerator.
- The foodstuff that you want to freeze must be fresh and in good quality.
- Foodstuff must be divided into portions according to the family's daily or meal based consumption needs.
- The foodstuff must be packaged in an airtight manner to prevent them from drying even if they are going to be kept for a short time.
- Materials to be used for packaging must be tear-proof and resistant to cold, humidity, odor, oils and acids and they must also be airtight. Moreover, they must be well closed and they must be made from easy-to-use materials that are suitable for deep freeze usage.
- Frozen food must be used immediately after they are thawed and they should never be re-frozen.
- Please observe the following instructions to obtain the best results.
  1. Do not freeze too large quantities of food at one time. The quality of the food is best preserved when it is frozen right through to the core as quickly as possible.
  2. Placing warm food into the freezer compartment causes the cooling system to operate continuously until the food is frozen solid.
  3. Take special care not to mix already frozen food and fresh food.

## Recommendations for preservation of frozen food

- Prepacked commercially frozen food should be stored in accordance with the frozen food manufacturer's instructions for a  (4 star) frozen food storage compartment.
- To ensure that the high quality achieved by the frozen food manufacturer and the food retailer is maintained, the following should be remembered:
  1. Put packages in the freezer as quickly as possible after purchase.
  2. Ensure that contents are labeled and dated.
  3. Do not exceed "Use By", "Best Before" dates on the packaging.

## Defrosting

The freezer compartment defrosts automatically.

## Placing the food

Freezer compartment shelves	Various frozen food such as meat, fish, ice cream, vegetables and etc.
Egg tray	Egg
Fridge compartment shelves	Food in pans, covered plates and closed containers
Fridge compartment door shelves	Small and packaged food or drinks (such as milk, fruit juice and beer)
Crisper	Vegetables and fruits

Freshzone compartment	Delicatessen products (cheese, butter, salami and etc.)
-----------------------	---

## Deep-freeze information

Food must be frozen as rapidly as possible when they are put in a refrigerator in order to keep them in good quality.

It is possible to keep the food for a long time only at -18°C or lower temperatures.

You can keep the freshness of food for many months (at -18°C or lower temperatures in the deep freeze).

### WARNING! ⚠

- Foodstuff must be divided into portions according to the family's daily or meal based consumption needs.
- Foodstuff must be packaged in an airtight manner to prevent them from drying even if they are going to be kept for a short time.
- Materials necessary for packaging:
- Cold resistant adhesive tape
- Self adhesive label
- Rubber rings
- Pen

Materials to be used for packaging the foodstuff must be tear-proof and resistant to cold, humidity, odor, oils and acids.

Foodstuff to be frozen should not be allowed to come in contact with the previously frozen items to prevent their partial thawing.

Frozen food must be used immediately after they are thawed and they should never be re-frozen.

## Stopping your product

If your thermostat is equipped with "0" position:

- Your product will stop operating when you turn the thermostat button to "0" (zero) position. Your product will not start unless to you turn the thermostat button to position "1" or one of the other positions again.

If your thermostat is equipped with "min" position:

- Unplug your product to stop it.



## Chill compartment

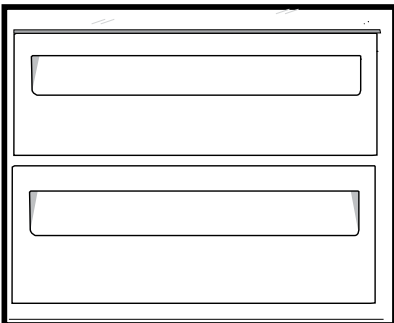
Chill compartment is ideal for storing solid dairy products meat, fish and poultry. Chill compartment temperature remains between  $-2^{\circ}\text{C}$  and  $+3^{\circ}\text{C}$ , slightly colder than freshfood compartment.

Prior to placing in the freezing compartment for storage, it is advised that you place such foodstuffs in chill compartment first for energy saving and better storage performance. If chill compartment is full, you may use freshfood compartment for this purpose.

It is not recommended to store vegetables and fruits in chill compartment.

The chill compartment drawer is optional to use. The appliance fulfills the chill compartment temperature storage requirements with and without the drawer provided.

You can increase the inner volume of your refrigerator by removing the drawer of chill compartment. Pull the drawer towards yourself until it is stopped by the stopper. Raise the front part for approximately 1 cm and pull the compartment towards yourself again to remove it completely.

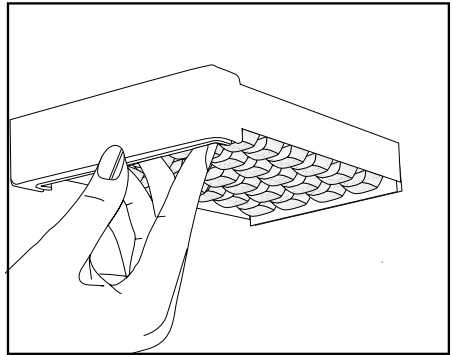


## Making ice

### \*optional

Fill the ice container with water and place it into the freezer compartment. Your ice will be ready approximately in two hours.

You can remove the ice in the ice container by removing it from the freezer and twisting it.

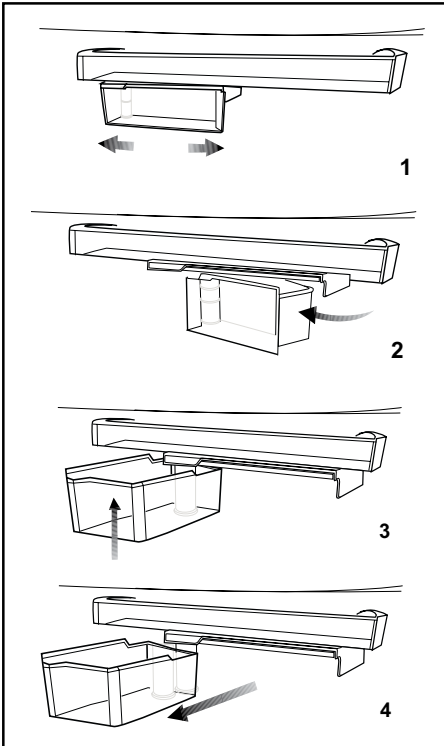


## Rotary storage container (in some models)

Sliding body shelf can be moved to left or right in order to allow you place the tall bottles, jars or boxes to the lower shelf (Fig. 1)

You can reach the food that you have placed into the shelf by grabbing and turning it from its right edge (Fig.2).

When you want to load or remove it to clean, turn it by 90 degrees, raise it up and pull towards yourself (Fig. 3-4).



## Icematic and ice storage container

**\*May not be available in all models**  
**Using the Icematic**

Fill the Icematic with water and place it into its seat. Your ice will be ready approximately in two hours. Do not remove the Icematic from its seating to take ice.

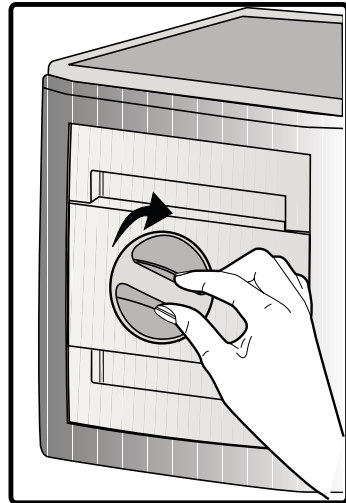
Turn the knobs on the ice reservoirs clockwise by 90 degrees.

Ice cubes in the reservoirs will fall down into the ice storage container below.

You may take out the ice storage container and serve the ice cubes. If you wish, you may keep the ice cubes in the ice storage container.

### Ice storage container

Ice storage container is only intended for accumulating the ice cubes. Do not put water in it. Otherwise, it will break.



## Description and cleaning of odor filter

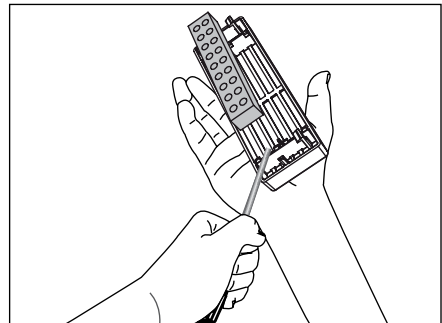
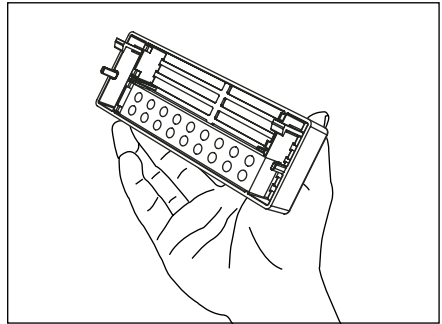
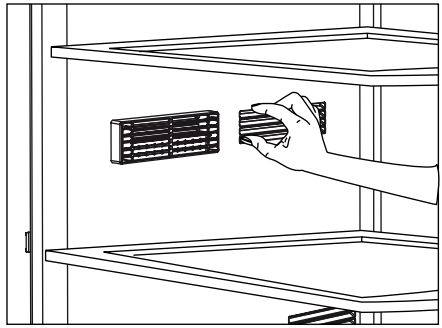
**\*May not be available in all models**

Odor filter prevents unpleasant odor build-up in your refrigerator.

Pull the cover into which the odor filter is installed downwards from the front section and remove as illustrated.

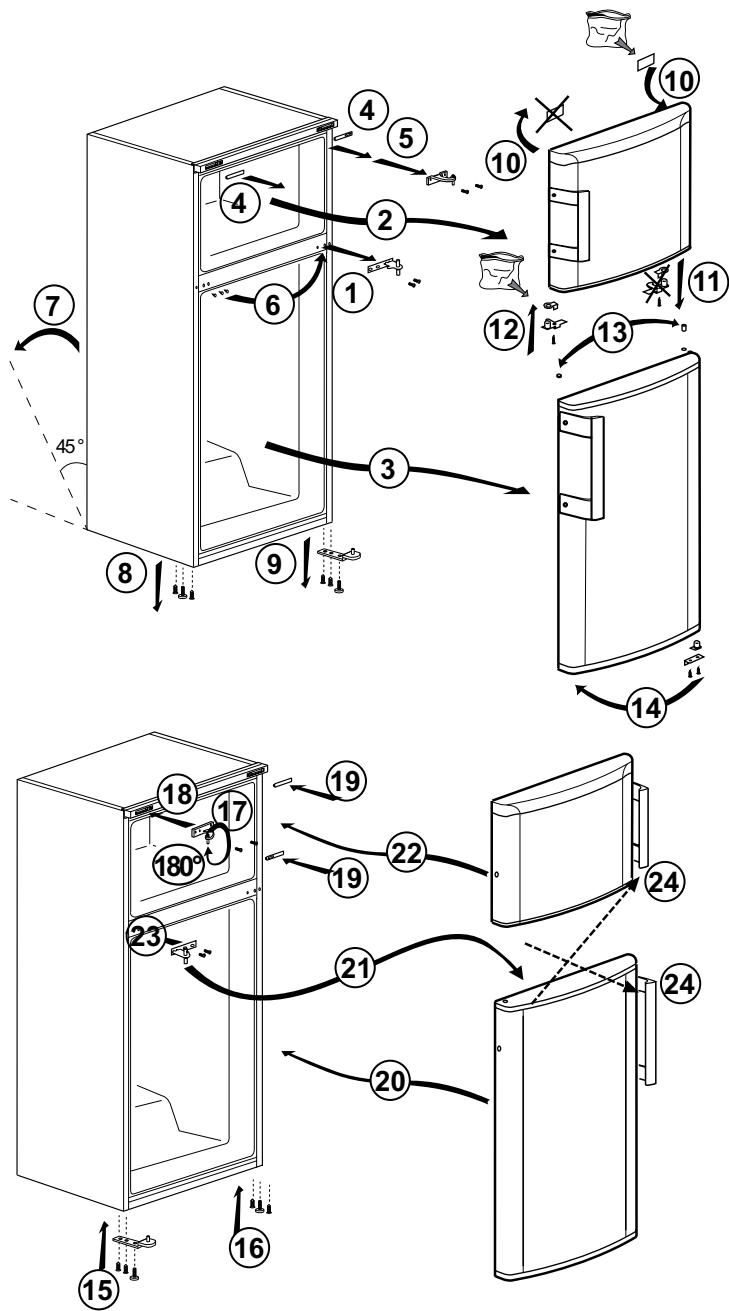
Leave the filter under sunlight for one day. Filter will be cleaned during this time. Install the filter back to its place.

Odor filter must be cleaned once in a year.



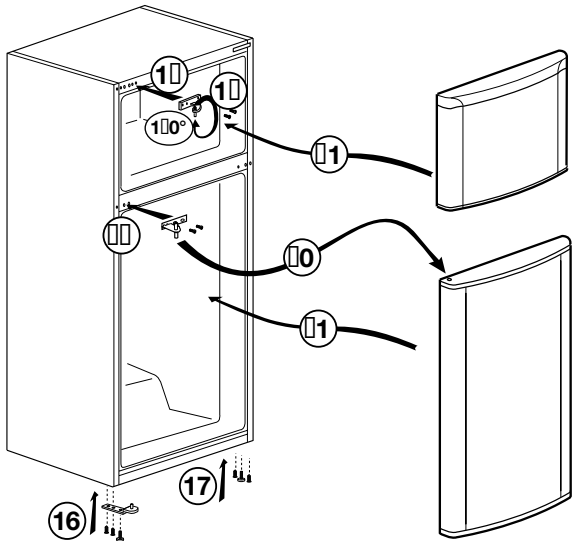
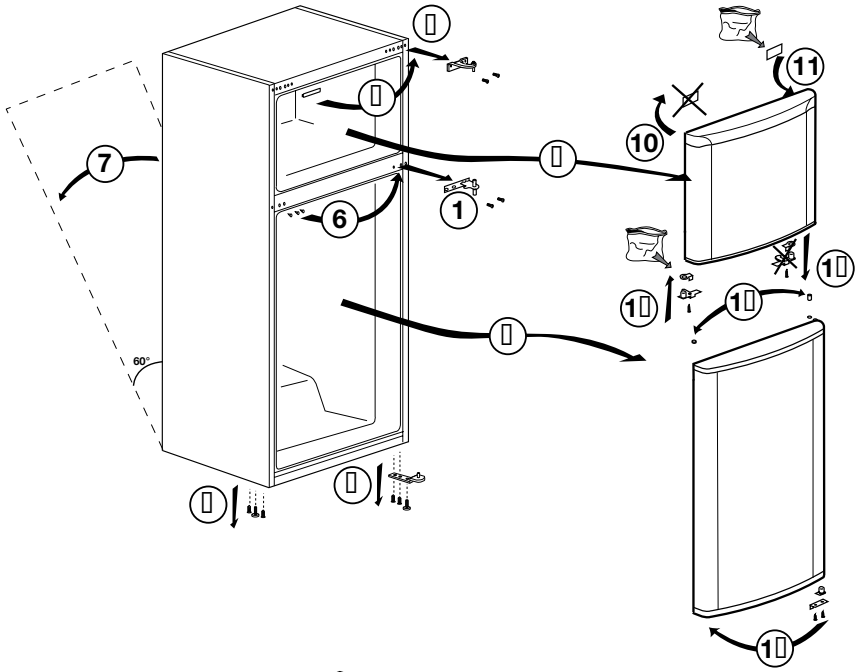
# Reversing the doors

Proceed in numerical order .



# Reversing the doors

Proceed in numerical order .



## 6 Maintenance and cleaning

---

- ⚠ Never use gasoline, benzene or similar substances for cleaning purposes.
- ⚠ We recommend that you unplug the appliance before cleaning.
- ⚠ Never use any sharp abrasive instrument, soap, household cleaner, detergent and wax polish for cleaning.
- ⚠ For non-No Frost products, water drops and frosting up to a fingerbreadth occur on the rear wall of the Fridge compartment. Do not clean it; never apply oil or similar agents on it.
- ⚠ Only use slightly damp microfiber cloths to clean the outer surface of the product. Sponges and other types of cleaning cloths may scratch the surface.
- ℹ Use lukewarm water to clean the cabinet of your refrigerator and wipe it dry.
- ℹ Use a damp cloth wrung out in a solution of one teaspoon of bicarbonate of soda to one pint of water to clean the interior and wipe it dry.
- ⚠ Make sure that no water enters the lamp housing and other electrical items.
- ⚠ If your refrigerator is not going to be used for a long period of time, unplug the power cable, remove all food, clean it and leave the door ajar.
- ℹ Check door seals regularly to ensure they are clean and free from food particles.
- ⚠ To remove door racks, remove all the contents and then simply push the door rack upwards from the base.
- ⚠ Never use cleaning agents or water that contain chlorine to clean the outer surfaces and chromium coated parts of the product. Chlorine causes corrosion on such metal surfaces.
- ⚠ Do not use sharp, abrasive tools, soap, household cleaning agents, detergents, kerosene, fuel oil, varnish etc. to prevent removal and deformation of the prints on the plastic part. Use lukewarm water and a soft cloth for cleaning and then wipe it dry.

### Protection of plastic surfaces

- ℹ Do not put the liquid oils or oil-cooked meals in your refrigerator in unsealed containers as they damage the plastic surfaces of your refrigerator. In case of spilling or smearing oil on the plastic surfaces, clean and rinse the relevant part of the surface at once with warm water.

## 7 Troubleshooting

Please review this list before calling the service. It will save your time and money. This list includes frequent complaints that are not arising from defective workmanship or material usage. Some of the features described here may not exist in your product.

The refrigerator does not operate.

- The plug is not inserted into the socket correctly. >>>Insert the plug into the socket securely.
- The fuse of the socket which your refrigerator is connected to or the main fuse have blown out. >>>Check the fuse.

Condensation on the side wall of the fridge compartment (MULTIZONE, COOL CONTROL and FLEXI ZONE).

- Door has been opened frequently. >>>Do not open and close the door of refrigerator frequently.
- Ambient is very humid. >>>Do not install your refrigerator into highly humid places.
- Food containing liquid is stored in open containers. >>>Do not store food with liquid content in open containers.
- Door of the refrigerator is left ajar. >>>Close the door of the refrigerator.
- Thermostat is set to a very cold level. >>>Set the thermostat to a suitable level.

- Compressor is not running

- Protective thermic of the compressor will blow out during sudden power failures or plug-out plug-ins as the refrigerant pressure in the cooling system of the refrigerator has not been balanced yet. The refrigerator will start running approximately after 6 minutes. Please call the service if the refrigerator does not startup at the end of this period.
- The fridge is in defrost cycle. >>>This is normal for a full-automatically defrosting refrigerator. Defrosting cycle occurs periodically.
- The refrigerator is not plugged into the socket. >>>Make sure that the plug is fit into the socket.
- Temperature settings are not made correctly. >>>Select the suitable temperature value.
- There is a power outage. >>>Refrigerator returns to normal operation when the power restores.

The operation noise increases when the refrigerator is running.

- The operating performance of the refrigerator may change due to the changes in the ambient temperature. It is normal and not a fault.

The refrigerator is running frequently or for a long time.

- New product may be wider than the previous one. Larger refrigerators operate for a longer period of time.
- The room temperature may be high. >>>It is normal that the product operates for longer periods in hot ambient.
- The refrigerator might be plugged in recently or might be loaded with food. >>>When the refrigerator is plugged in or loaded with food recently, it will take longer for it to attain the set temperature. This is normal.
- Large amounts of hot food might be put in the refrigerator recently. >>>Do not put hot food into the refrigerator.
- Doors might be opened frequently or left ajar for a long time. >>>The warm air that has entered into the refrigerator causes the refrigerator to run for longer periods. Do not open the doors frequently.
- Freezer or fridge compartment door might be left ajar. >>>Check if the doors are closed completely.
- The refrigerator is adjusted to a very low temperature. >>>Adjust the refrigerator temperature to a warmer degree and wait until the temperature is achieved.
- Door seal of the fridge or freezer may be soiled, worn out, broken or not properly seated. >>>Clean or replace the seal. Damaged/broken seal causes the refrigerator to run for a longer period of time in order to maintain the current temperature.

Freezer temperature is very low while the fridge temperature is sufficient.

- The freezer temperature is adjusted to a very low value. >>>Adjust the freezer temperature to a warmer degree and check.

Fridge temperature is very low while the freezer temperature is sufficient.

- The fridge temperature is adjusted to a very low value. >>>Adjust the fridge temperature to a warmer degree and check.

Food kept in the fridge compartment drawers is frozen.

- The fridge temperature is adjusted to a very high value. >>>Adjust the fridge temperature to a lower value and check.

Temperature in the fridge or freezer is very high.

- The fridge temperature is adjusted to a very high value. >>>Fridge compartment temperature setting has an effect on the temperature of the freezer. Change the temperatures of the fridge or freezer and wait until the relevant compartments attain a sufficient temperature.
- Doors are opened frequently or left ajar for a long time. >>>Do not open the doors frequently.
- Door is ajar. >>>Close the door completely.
- The refrigerator is plugged in or loaded with food recently. >>>This is normal. When the refrigerator is plugged in or loaded with food recently, it will take longer for it to attain the set temperature.
- Large amounts of hot food might be put in the refrigerator recently. >>>Do not put hot food into the refrigerator.



<ul style="list-style-type: none"> <li>• Vibrations or noise.</li> </ul>
<ul style="list-style-type: none"> <li>• The floor is not level or stable. &gt;&gt;&gt; If the refrigerator rocks when moved slowly, balance it by adjusting its feet. Also make sure that the floor is strong enough to carry the refrigerator, and level.</li> <li>• The items put onto the refrigerator may cause noise. &gt;&gt;&gt;Remove the items on top of the refrigerator.</li> </ul>
There are noises coming from the refrigerator like liquid flowing, spraying, etc.
<ul style="list-style-type: none"> <li>• Liquid and gas flows occur in accordance with the operating principles of your refrigerator. It is normal and not a fault.</li> </ul>
Whistle comes from the refrigerator.
<ul style="list-style-type: none"> <li>• Fans are used in order to cool the refrigerator. It is normal and not a fault.</li> </ul>
Condensation on the inner walls of refrigerator.
<ul style="list-style-type: none"> <li>• Hot and humid weather increases icing and condensation. It is normal and not a fault.</li> <li>• Doors are opened frequently or left ajar for a long time. &gt;&gt;&gt;Do not open the doors frequently. Close them if they are open.</li> <li>• Door is ajar. &gt;&gt;&gt;Close the door completely.</li> </ul>
Humidity occurs on the outside of the refrigerator or between the doors.
<ul style="list-style-type: none"> <li>• There might be humidity in the air; this is quite normal in humid weather. When the humidity is less, condensation will disappear.</li> </ul>
Bad odour inside the refrigerator.

<ul style="list-style-type: none"> <li>• No regular cleaning is performed. &gt;&gt;&gt;Clean the inside of the refrigerator regularly with a sponge, lukewarm water or carbonate dissolved in water.</li> <li>• Some containers or package materials may cause the smell. &gt;&gt;&gt;Use a different container or different brand packaging material.</li> <li>• Food is put into the refrigerator in uncovered containers. &gt;&gt;&gt;Keep the food in closed containers. Microorganisms spreading out from uncovered containers can cause unpleasant odours.</li> <li>• Remove the foods that have expired best before dates and spoiled from the refrigerator.</li> </ul>
The door is not closing.
<ul style="list-style-type: none"> <li>• Food packages are preventing the door from closing. &gt;&gt;&gt;Replace the packages that are obstructing the door.</li> <li>• The refrigerator is not completely even on the floor. &gt;&gt;&gt;Adjust the feet to balance the refrigerator.</li> <li>• The floor is not level or strong. &gt;&gt;&gt;Make sure that the floor is level and capable to carry the refrigerator.</li> </ul>
Crispers are stuck.
<ul style="list-style-type: none"> <li>• The food is touching the ceiling of the drawer. &gt;&gt;&gt;Rearrange food in the drawer.</li> </ul>
If The Surface Of The Product Is Hot.
<ul style="list-style-type: none"> <li>• High temperatures may be observed between the two doors, on the side panels and at the rear grill while the product is operating. This is normal and does not require service maintenance!</li> </ul>

## **Lea este manual antes de utilizar el frigorífico.**

Estimado cliente:

Esperamos que este producto, que ha sido fabricado en plantas dotadas de la más avanzada tecnología y sometido a los más estrictos procedimientos de control de calidad, le preste un servicio eficaz.




Para ello, le recomendamos que lea atentamente el presente manual antes de utilizar el producto, y que lo tenga a mano para futuras consultas.

### **Este manual**

- Le ayudará a usar el electrodoméstico de manera rápida y segura.
- Lea el manual antes de instalar y poner en funcionamiento el producto.
- Siga las instrucciones, en particular las relacionadas con la seguridad.
- Conserve el manual en un sitio de fácil acceso, ya que podría necesitarlo en el futuro.
- Además, lea también otros documentos suministrados junto con el producto.
- Tenga en cuenta que este manual también podría ser válido para otros modelos.

### **Símbolos y sus descripciones**

El presente manual de instrucciones emplea los siguientes símbolos:

-  Información importante o consejos útiles sobre el funcionamiento.
-  Advertencia sobre situaciones peligrosas para la vida y la propiedad.
-  Advertencia acerca de la tensión eléctrica.

## ÍNDICE

### **1 Su frigorífico** **3**

### **2 Avisos importantes sobre la seguridad** **4**

Finalidad prevista.....	5
Productos equipados con dispensador de agua:.....	9
Seguridad infantil.....	9
Conformidad con la normativa WEEE y eliminación del aparato al final de su vida útil: .....	9
Cumplimiento de la directiva RoHS:...	9
Información sobre el embalaje .....	10
Advertencia sobre la seguridad de la salud .....	10
Consejos para el ahorro de energía .	10
Recomendaciones para el compartimento de alimentos frescos	11

### **3 Instalación** **12**

Cuestiones a considerar a la hora de transportar el frigorífico .....	12
Antes de usar el frigorífico.....	12
Conexiones eléctricas.....	13
Eliminación del embalaje.....	13
Eliminación de su viejo frigorífico.....	13
Colocación e instalación .....	13
Cambio de la bombilla de iluminación .....	14
Ajuste de los pies .....	14

### **4 Preparación** **15**

### **5 Uso del frigorífico** **16**

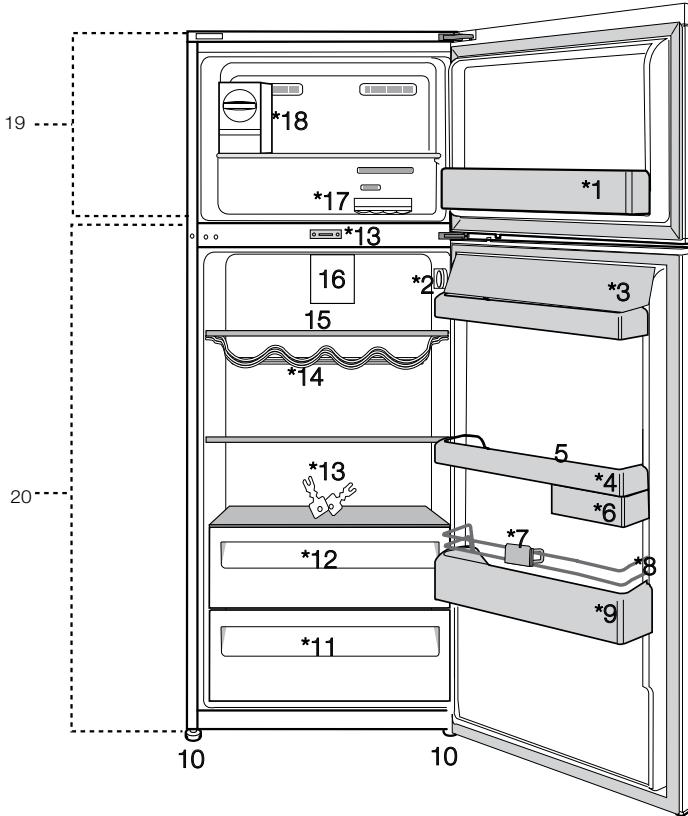
Botón de ajuste de la temperatura... 16	
Ajuste de la temperatura del frigorífico..... 16	
Doble sistema de enfriamiento..... 16	
Función de vacaciones .....	16
Doble sistema de enfriamiento:.....	17
Congelación de alimentos frescos ...	17
Recomendaciones para la conservación de alimentos congelados.....	18
Colocación de los alimentos .....	18
Información sobre la congelación ....	18
Parada del aparato .....	19
Compartimento de temperatura cero	19
Producción de hielo .....	19
Descripción y limpieza del filtro antiolores:.....	20
Contenedor de almacenamiento giratorio .....	21
Icematic y fabricante de hielo con contenedor .....	21
Inversión de la puerta .....	22
Inversión de la puerta .....	23

### **6 Mantenimiento y limpieza****24**

Protección de las superficies de plástico.....	24
--	----

### **7 Sugerencias para la solución de problemas** **25**

# 1 Su frigorífico



1. Estante de la puerta del compartimento congelador

2. Botón de ajuste de la temperatura

3. Secciones de mantequillas y quesos

4. Estante de la puerta del compartimento frigorífico

5. Hueveras

6. Contenedor de almacenamiento giratorio

7. Botellero

8. Alambre protector

9. Estante para botellas

10. Patas ajustables

11. Cajón de frutas y verduras

12. Compartimento de enfriamiento

13. Clave

14. Bodega para vinos

15. Estantes de vidrio del compartimento frigorífico

16. Ventilador

17. Contenedor de hielo

18. Icematic

19. Compartimento congelador

20. Compartimento frigorífico

\*opcional

ⓘ Las ilustraciones incluidas en el presente manual de instrucciones son esquemáticas y puede que no se adecuen a su producto con exactitud. Si alguno de los elementos reflejados no se corresponde con el producto que usted ha adquirido, entonces será válido para otros modelos.

## 2 Avisos importantes sobre la seguridad

Lea con atención la siguiente información. No tener en cuenta dicha información podría acarrear lesiones o daños materiales. En tal caso, las garantías y los compromisos de fiabilidad quedarían anulados. Se proporcionarán piezas de recambio originales durante 10 años, después de la fecha de compra del producto.



**ADVERTENCIA:**

Asegúrese de que cuando el dispositivo está en su custodia o durante su montaje en el alojamiento, los orificios de ventilación no están cerrados.

**ADVERTENCIA:**

Con el fin de acelerar la operación de derretimiento del hielo, no utilice cualquier dispositivo o aparato mecánico que no es recomendado por el fabricante.

**ADVERTENCIA:**

No dañe el circuito de fluido refrigerante.

**ADVERTENCIA:**

No utilice dispositivos eléctricos que no estén recomendados por el fabricante en los compartimentos del dispositivo para la conservación de alimentos.

Este dispositivo está diseñado para ser utilizado en el hogar o en las siguientes aplicaciones similares:

- Con el fin de ser utilizado en las cocinas para el personal de las tiendas, oficinas y otros lugares de trabajo;
- Con el fin de ser utilizado por los clientes en casas de campo y hoteles, moteles y

otros lugares de alojamiento:

- en entornos tales pensiones
- en lugares similares que no ofrecen servicios de restauración y no es al por menor

### **Finalidad prevista**

Este aparato está diseñado para usarse en los siguientes entornos:

- interiores y entornos cerrados tales como domicilios particulares;
- entornos cerrados de trabajo tales como almacenes u oficinas;
- zonas de servicio cerradas tales como casas rurales, hoteles o pensiones.
- Este aparato no se debe usar al aire libre.

### **Seguridad general**

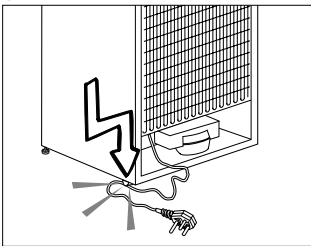
- Cuando desee deshacerse del aparato, le recomendamos que solicite a su servicio técnico autorizado la información necesaria a este respecto, así como la relación de entidades locales a las que puede dirigirse.
- En caso de dudas o problemas, diríjase a su servicio técnico autorizado. No intente reparar el frigorífico sin consultar con el servicio técnico, ni deje que nadie lo haga.
- Para aparatos equipados con un compartimento congelador: no consuma los helados o cubitos de hielo

inmediatamente después de sacarlos del compartimento congelador, ya que podría sufrir daños en su boca a causa del frío.

- Para aparatos equipados con un compartimento congelador: no deposite bebidas embotelladas o enlatadas en el compartimento congelador, ya que podrían estallar.
- No toque con la mano los alimentos congelados, ya que podrían adherirse a ella.
- Desenchufe su frigorífico antes de proceder a su limpieza o deshielo.
- No utilice nunca materiales de limpieza que usen vapor para limpiar o descongelar el frigorífico. El vapor podría entrar en contacto con los elementos eléctricos y causar cortocircuitos o descargas eléctricas.
- No utilice nunca elementos del frigorífico tales como la puerta como medio de sujeción o como escalón.
- No utilice aparatos eléctricos en el interior del frigorífico.
- Evite dañar el circuito del refrigerante con herramientas cortantes o de perforación. El refrigerante que puede liberarse si se perforan los canales de gas del evaporador, los conductos o los recubrimientos de las superficies causa irritaciones en la piel y lesiones en los ojos.

- No cubra ni bloquee los orificios de ventilación de su frigorífico con ningún material.
- Deje la reparación de los aparatos eléctricos únicamente en manos de personal autorizado. Las reparaciones realizadas por personas incompetentes generan riesgos para el usuario.
- En caso de fallo o cuando vaya a realizar cualquier operación de reparación o mantenimiento, desconecte el frigorífico de la corriente apagando el fusible correspondiente o bien desenchufando el aparato.
- No desenchufe el aparato de la toma de corriente tirando del cable.
- Asegúrese de guardar las bebidas alcohólicas correctamente con la tapa puesta y colocadas hacia arriba.
- No almacene en el frigorífico aerosoles que contengan sustancias inflamables o explosivas.
- No utilice dispositivos mecánicos u otros medios para acelerar el proceso de deshielo distintos de los recomendados por el fabricante.
- Este aparato no debe ser utilizado por niños o por personas con sus facultades físicas, sensoriales o mentales reducidas o bien que carezcan de la experiencia y los conocimientos necesarios, a menos que lo hagan bajo la supervisión de personas responsables de su seguridad o bien tras haber recibido instrucciones de uso por parte de dichas personas.
- No utilice un frigorífico que haya sufrido daños. Consulte con el servicio de atención al cliente en caso de duda.
- La seguridad eléctrica de su frigorífico sólo estará garantizada si el sistema de toma de tierra de su domicilio se ajusta a los estándares.
- Desde el punto de vista de la seguridad eléctrica, es peligroso exponer el aparato a la lluvia, la nieve o el viento.
- Póngase en contacto con el servicio técnico autorizado en caso de que el cable de alimentación principal se dañe, para evitar cualquier peligro.
- Nunca enchufe el frigorífico en la toma de corriente durante su instalación. Existe peligro de lesiones graves e incluso de muerte.
- Este frigorífico está únicamente diseñado para almacenar alimentos. No debe utilizarse para ningún otro propósito.
- La etiqueta que contiene los datos técnicos del frigorífico se encuentra en la parte interior izquierda del mismo.

- Jamás conecte el frigorífico a sistemas de ahorro de electricidad, ya que podría dañarlo.
- Si el frigorífico está equipado con una luz azul, no la mire a simple vista o a través de dispositivos ópticos durante un tiempo prolongado.
- En los frigoríficos de control manual, si se produce un corte del fluido eléctrico espere al menos 5 minutos antes de volver a ponerlo en marcha.
- Cuando entregue este aparato a un nuevo propietario, asegúrese de entregar también este manual de instrucciones.
- Tenga cuidado de no dañar el cable de alimentación al transportar el frigorífico. Doblar el cable podría causar un incendio. Nunca deposite objetos pesados encima del cable de alimentación. No toque el enchufe con las manos mojadas para conectar el aparato.



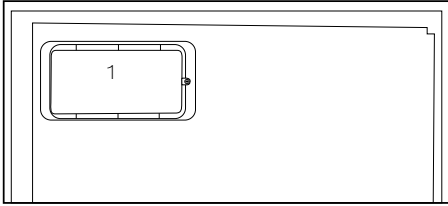
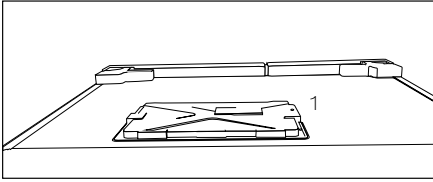
- Al colocar el aparato, asegúrese de que el cable de alimentación no esté atrapado o dañado.

- No coloque múltiples tomacorrientes portátiles o fuentes de alimentación portátiles en la parte posterior del aparato.
- Los niños de 3 a 8 años pueden cargar y descargar aparatos frigoríficos.
- Para evitar la contaminación de los alimentos, por favor respete las siguientes instrucciones:
- Dejar la puerta abierta durante mucho tiempo puede provocar un aumento significativo de la temperatura en los compartimentos del frigorífico.
- Limpie regularmente las superficies que puedan entrar en contacto con los alimentos y los sistemas de drenaje accesibles.
- Limpie los depósitos de agua si no se han utilizado durante 48 horas; enjuague el sistema de agua conectado a un suministro de agua si no se ha extraído agua durante 5 días.
- Almacene la carne y el pescado crudos en recipientes adecuados en el frigorífico, de modo que no estén en contacto con otros alimentos ni goteen sobre ellos.
- Los compartimentos de dos estrellas para alimentos congelados son adecuados para almacenar alimentos pre-congelados, almacenar o hacer helados y cubitos de hielo.
- Los compartimentos de una, dos y tres estrellas no son adecuados para la congelación



de alimentos frescos.

- Si el aparato de refrigeración se deja vacío durante mucho tiempo, apáguelo, descongélelo, límpielo, límpielo, séquelo y deje la puerta abierta para evitar que se forme moho dentro del aparato.
- No enchufe el frigorífico si el enchufe no encaja con firmeza en la toma de corriente de la pared.
- Por razones de seguridad, no pulverice agua directamente en las partes interiores o exteriores de este aparato.
- No rocíe cerca del frigorífico sustancias que contengan gases inflamables tales como gas propano para evitar riesgos de incendio y explosiones.
- Nunca coloque recipientes con agua sobre el frigorífico, ya que podría provocar una descarga eléctrica o un incendio.
- No deposite cantidades excesivas de alimentos en el frigorífico. Si lo hace, al abrir la puerta del frigorífico los alimentos podrían caerse y provocar lesiones personales o dañar el frigorífico. Nunca coloque objetos sobre el frigorífico, ya que podrían caer al abrir o cerrar la puerta.
- No guarde en el frigorífico productos que necesiten un control preciso de la temperatura tales como vacunas, medicamentos sensibles al calor, materiales científicos, etc.
- Desenchufe el frigorífico si no lo va a utilizar durante un periodo prolongado de tiempo. Un problema en el cable de alimentación podría causar un incendio.
- El frigorífico podría moverse si los pies no están adecuadamente asentados en el suelo. Fijar adecuadamente los pies del frigorífico en el suelo puede ayudar a evitar que se mueva.
- Cuando transporte el frigorífico, no lo aferre del asa de la puerta. De lo contrario, podría romperla.
- Cuando tenga que colocar el frigorífico cerca de otro frigorífico o congelador, deberá dejar un espacio entre ambos aparatos de 8 cm como mínimo. De lo contrario, podría formarse humedad en las paredes adyacentes.
- Nunca utilice el producto si la sección situada en la parte superior o posterior del producto que tiene las placas de circuitos impresos electrónicos en el interior está abierta (cubierta de la placa del circuito electrónico impreso) (1).



### Productos equipados con dispensador de agua:

- La presión en la entrada de agua fría será a un máximo de 90 psi (620 kPa). Si la presión del agua es superior a 80 psi (550 kPa), utilice una válvula limitadora de presión en el sistema de red. Si usted no sabe cómo controlar la presión del agua, pida la ayuda de un plomero profesional.
- Si hay riesgo de golpe de ariete en la instalación, siempre utilice un equipo de prevención contra golpes de ariete en la instalación. Consulte a un fontanero profesional si no está seguro de que no hay un efecto del golpe de ariete en la instalación.
- No instale en la entrada de agua caliente. Tome precauciones contra el riesgo de congelación en las mangueras. El intervalo de funcionamiento de la

temperatura del agua debe ser un mínimo de 33°F (0,6°C) y un máximo de 100°F (38°C).

- Use agua potable únicamente.

### Seguridad infantil

- Si la puerta tiene cerradura, mantenga la llave fuera del alcance de los niños.
- Vigile a los niños para evitar que manipulen el aparato.

### Conformidad con la normativa WEEE y eliminación del aparato al final de su vida útil:



Este producto es conforme con la directiva de la UE sobre residuos de aparatos eléctricos y electrónicos (WEEE) (2012/19/UE). Este producto incorpora el símbolo de la clasificación selectiva para los residuos de aparatos eléctricos y electrónicos (WEEE). Este aparato se ha fabricado con piezas y materiales de primera calidad, que pueden ser reutilizados y son aptos para el reciclado. No se deshaga del producto junto con sus residuos domésticos normales y de otros tipos al final de su vida útil. Llévelo a un centro de reciclaje de dispositivos eléctricos y electrónicos. Solicite a las autoridades locales información acerca de dichos centros de recogida.

### Cumplimiento de la directiva RoHS:

El producto que ha adquirido es conforme con la directiva de la UE

sobre la restricción de sustancias peligrosas (RoHS) (2011/65/UE). No contiene ninguno de los materiales nocivos o prohibidos especificados en la directiva.

### **Información sobre el embalaje**

El embalaje del aparato se fabrica con materiales reciclables, de acuerdo con nuestro Reglamento Nacional sobre Medio Ambiente. No elimine los materiales de embalaje junto con los residuos domésticos o de otro tipo. Llévelos a un punto de recogida de materiales de embalaje designado por las autoridades locales.

### **Advertencia sobre la seguridad de la salud**

#### **Si el sistema de refrigeración de su aparato contiene R600a:**

Este gas es inflamable. Por lo tanto, procure no dañar el sistema de enfriamiento ni sus conductos durante el uso o el transporte del aparato. En caso de daños, mantenga el aparato alejado de fuentes potenciales de ignición que puedan provocar que éste sufra un incendio, y ventile la estancia en la que se encuentre el aparato.

#### **Ignore esta advertencia si el sistema de refrigeración de su aparato contiene R134a.**

El tipo de gas utilizado en el aparato se indica en la placa de datos ubicada en la pared interior izquierda del frigorífico.

Jamás arroje el aparato al fuego.

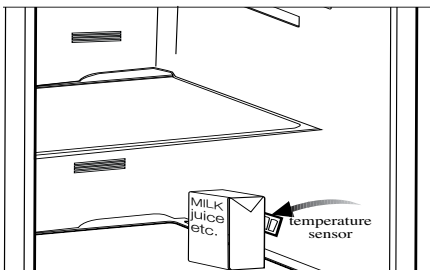
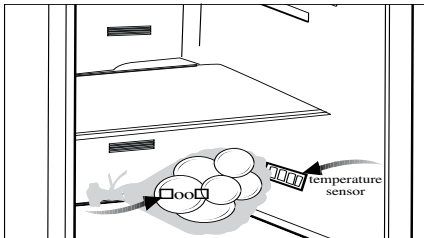
### **Consejos para el ahorro de energía**

- No deje las puertas del frigorífico abiertas durante periodos largos de tiempo.
- No introduzca alimentos o bebidas calientes en el frigorífico.
- No sobrecargue el frigorífico, ya que entorpecería la circulación del aire en su interior.
- No instale el frigorífico de forma que quede expuesto a la luz solar directa o cerca de aparatos que irradian calor tales como hornos, lavavajillas o radiadores.
- Procure depositar los alimentos en recipientes cerrados.
- Productos equipados con compartimento congelador: puede disponer del máximo volumen para el depósito de alimentos retirando el estante o el cajón del congelador. El consumo energético que se indica para su frigorífico se ha calculado retirando el estante o el cajón del congelador y en condiciones de máxima carga. No existe ningún riesgo en la utilización de un estante o cajón según las formas o tamaños de los alimentos que se van a congelar.
- Descongele los alimentos congelados en el compartimento frigorífico; ahorrará energía y preservará la calidad de los alimentos.

## Recomendaciones para el compartimento de alimentos frescos

### \* OPCIONAL

- No deje que los alimentos entren en contacto con el sensor de temperatura del compartimento de alimentos frescos. Para mantener el compartimento de alimentos frescos a una temperatura ideal para el almacenamiento, es necesario que el sensor no quede obstruido por los alimentos.
- No deposite comida caliente en el frigorífico.



### 3 Instalación

⚠ Recuerde que el fabricante declina toda responsabilidad en caso de incumplimiento de las instrucciones de este manual.

#### Cuestiones a considerar a la hora de transportar el frigorífico

1. El frigorífico debe estar vacío y limpio antes de proceder a su transporte.
2. Los estantes, accesorios, el cajón de frutas y verduras, etc., deben sujetarse con cinta adhesiva antes de embalar el frigorífico para evitar que se muevan.
3. Enciente el frigorífico una vez embalado con cinta gruesa y fjelo con cuerdas resistentes. Siga las reglas de transporte que encontrará impresas en el propio embalaje.

#### No olvide que:

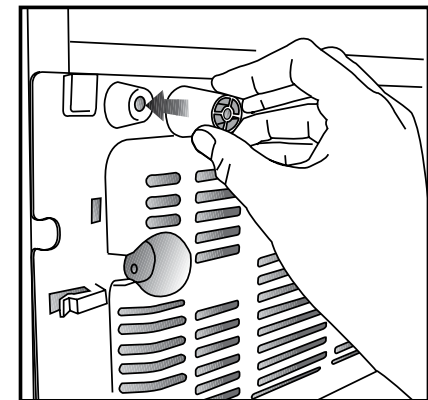
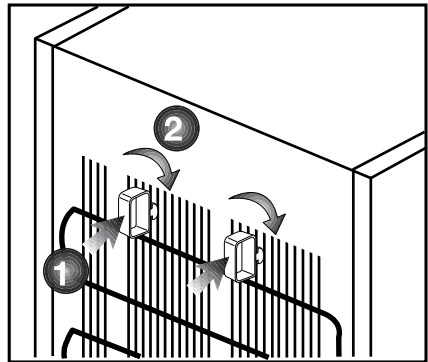
El reciclaje de materiales es un asunto de vital importancia para la naturaleza y para los recursos del país.

Si desea contribuir al reciclaje de los materiales de embalaje, solicite más información a los responsables medioambientales de su zona o a las autoridades locales.

#### Antes de usar el frigorífico

Antes de empezar a usar el frigorífico, verifique lo siguiente:

1. El interior del frigorífico está seco y el aire puede circular con libertad por su parte posterior.



2. Es posible que las aristas delanteras del aparato se noten calientes al tacto. cosa que es perfectamente normal. Estas zonas deben permanecer calientes para evitar la condensación.
1. El interior del frigorífico está seco y el aire puede circular con libertad por su parte posterior.
2. Introduzca 2 cuñas plásticas en la ventilación trasera, como se muestra en la figura siguiente. Las cuñas de plástico proporcionarán la distancia requerida entre su frigorífico y la pared para una correcta circulación del aire.

3. Limpie el interior del frigorífico de la forma recomendada en la sección “Mantenimiento y Limpieza”.
4. Enchufe el frigorífico a la toma de corriente. Al abrir la puerta del frigorífico, la luz interior del compartimento frigorífico se enciende.
5. Se oye un sonido cuando arranca el compresor. El líquido y los gases contenidos en el sistema de refrigeración pueden también generar ruidos, incluso aunque el compresor no esté funcionando, lo cual es normal.
6. Es posible que las aristas delanteras del aparato se noten calientes al tacto. cosa que es perfectamente normal. Estas zonas deben permanecer calientes para evitar la condensación.

## Conexiones eléctricas

Conecte el frigorífico a una toma de corriente provista de toma de tierra y protegida por un fusible de la capacidad adecuada.

Importante:

- La conexión debe cumplir con las normativas nacionales.
- El enchufe de alimentación debe ser fácilmente accesible tras la instalación.
- La tensión especificada debe corresponder a la tensión de la red eléctrica.
- No use cables de extensión ni enchufes múltiples para conectar la unidad.

⚠ Todo cable de alimentación dañado debe ser reemplazado por un electricista cualificado.

⚠ No ponga en funcionamiento el aparato hasta que esté reparado, ya que existe peligro de cortocircuito.

## Eliminación del embalaje

Los materiales de empaque pueden ser peligrosos para los niños.

Manténgalos fuera de su alcance o deshágase de ellos clasificándolos según las instrucciones para la eliminación de residuos. No los tire junto con los residuos domésticos normales.

El embalaje del frigorífico se ha fabricado con materiales reciclables.

## Eliminación de su viejo frigorífico

Deshágase de su viejo frigorífico de manera respetuosa con el medio ambiente.

- Consulte las posibles alternativas a un distribuidor autorizado o al centro de recogida de residuos de su municipio.

Antes de proceder a la eliminación del frigorífico, corte el enchufe y, si las puertas tuvieran cierres, destrúyalos para evitar que los niños corran riesgos.

## Colocación e instalación

⚠ Si la puerta de entrada a la estancia donde va a instalar el frigorífico no es lo suficientemente ancha como para permitir su paso, solicite al servicio técnico que retire las puertas del frigorífico y lo pase de lado a través de la puerta.

1. Instale el frigorífico en un lugar en el que pueda utilizarse con comodidad.

- Mantenga el frigorífico alejado de fuentes de calor y lugares húmedos y evite su exposición directa a la luz solar.
- Para que el frigorífico funcione con la máxima eficacia, debe instalarse en una zona que disponga de una ventilación adecuada. Si el frigorífico va a instalarse en un hueco de la pared, debe dejarse un mínimo de 5 cm de separación con el techo y de 5 cm con las paredes. Si el suelo está cubierto con una alfombra, deberá elevar el frigorífico 2,5 cm del suelo.
- Coloque el frigorífico sobre una superficie lisa para evitar sacudidas.

### Cambio de la bombilla de iluminación

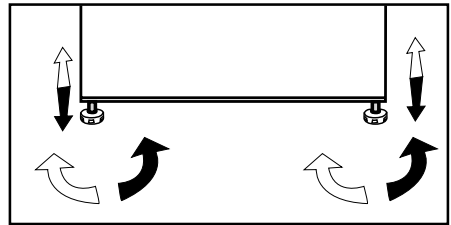
Para cambiar la bombilla utilizada para iluminar el frigorífico, póngase en contacto con el servicio técnico autorizado.

Las bombillas de este electrodoméstico no sirven para la iluminación en el hogar. Su propósito es el de ayudar al usuario a colocar los alimentos en el frigorífico o congelador de forma cómoda y segura.

Las lámparas utilizadas en este electrodoméstico soportan unas condiciones físicas extremas como temperaturas inferiores a  $-20^{\circ}\text{C}$ .

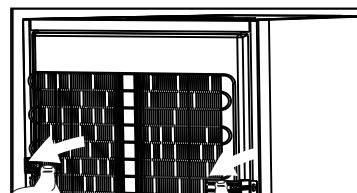
### Ajuste de los pies

Si su frigorífico no está equilibrado: Puede equilibrar el frigorífico girando los pies delanteros tal como se muestra en la ilustración. La esquina correspondiente al pie que está manipulando descenderá al girar el pie en la dirección de la flecha negra y se elevará al girarlo en la dirección opuesta. Le será más fácil realizar esta operación si le pide a alguien que levante ligeramente el frigorífico.



- El condensador de su aparato se encuentra en la parte trasera tal y como se muestra más abajo. Para mejorar la eficiencia energética con un menor consumo, tire del condensador hacia usted tal y como se muestra en la ilustración. La posición del condensador se fija firmemente mediante un mecanismo de cierre en los recipientes superiores de cada lado.

\* **OPCIONAL**

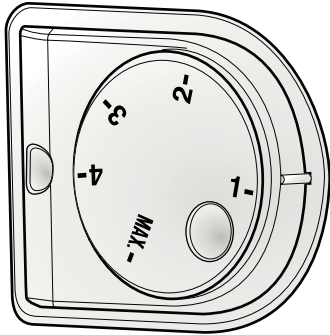


## 4 Preparación

- El frigorífico debe instalarse dejando una separación no inferior a 30 cm respecto a fuentes de calor tales como quemadores, hornos, calefacciones o estufas y no inferior a 5 cm con respecto a hornos eléctricos, evitando asimismo su exposición directa a la luz solar.
- Asegúrese de limpiar meticulosamente el interior del frigorífico.
- En caso de que vaya a instalar dos frigoríficos uno al lado del otro, debe dejar una separación no inferior a 2 cm entre ellos.
- Al utilizar el frigorífico por primera vez, siga las siguientes instrucciones referentes a las primeras seis horas.
  - No abra la puerta con frecuencia.
  - No deposite alimentos en el interior.
  - No desenchufe el frigorífico. En caso de corte del suministro eléctrico ajeno a su voluntad, consulte las advertencias de la sección "Sugerencias para la solución de problemas".
- Guarde el embalaje original para futuros traslados.
- Este aparato ha sido diseñado para operar a las temperaturas indicadas en la siguiente tabla e incorpora el sistema AETCS (sistema avanzado de control electrónico de la temperatura), que garantiza que en la posición recomendada (la posición "4" del mando) los alimentos congelados contenidos en el congelador no se descongelarán incluso aunque la temperatura ambiente llegue a los -15 °C. Cuando instale el aparato por primera vez, EVITE hacerlo en estancias cuya temperatura ambiente sea baja, ya que el congelador no podrá alcanzar su temperatura normal de funcionamiento. Una vez el congelador haya alcanzado su temperatura de funcionamiento estable, podrá reubicar el aparato, instalándolo en un garaje o en cualquier otra estancia sin calefacción sin tener que preocuparse de la posibilidad de que los alimentos depositados en el congelador se estropeen. Sin embargo, a las temperaturas ambiente bajas antes citadas los alimentos depositados en el frigorífico podrían congelarse, de modo que le recomendamos que los compruebe y consuma en consecuencia. Cuando la temperatura ambiente retorne a los valores normales, podrá cambiar la posición del mando según sus necesidades.
- Si la temperatura ambiente es inferior a 0 °C, los alimentos depositados en el compartimento frigorífico se congelarán. Así pues, recomendamos que no utilice el compartimento frigorífico en tales condiciones ambientales. Sin embargo, podrá seguir utilizando el compartimento congelador con normalidad.
- En algunos modelos, el panel de instrumentos se apaga automáticamente 5 minutos después de cerrar la puerta. Se reactivará cuando se abra la puerta o se pulse cualquier botón.
- Debido al cambio de temperatura como resultado de la apertura/clausura de la puerta del producto durante el funcionamiento, la condensación en los estantes de la puerta/cuerpo y los contenedores de cristal es normal.



## 5 Uso del frigorífico



### Botón de ajuste de la temperatura

El botón de ajuste de la temperatura le permite fijar la temperatura de su frigorífico.

### Ajuste de la temperatura del frigorífico

La temperatura global del frigorífico se regula mediante el botón de ajuste de la temperatura situado en la pared lateral derecha del compartimento frigorífico. Este botón dispone de 5 posiciones de temperatura diferentes. Seleccione la posición que mejor se adapte a sus necesidades.

### Doble sistema de enfriamiento

Este frigorífico dispone de dos sistemas de enfriamiento independientes, uno para el compartimento de alimentos frescos y el otro para el compartimento congelador. De este modo, no se mezclan el aire del compartimento de alimentos frescos y el aire del compartimento congelador. Gracias a estos dos sistemas de enfriamiento

independientes, la velocidad de enfriamiento es muy superior a la de otros frigoríficos. No se mezclan los olores de los compartimentos, y se obtiene un ahorro de energía adicional porque el deshielo automático se realiza individualmente.

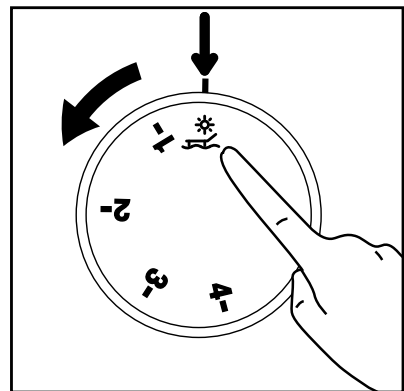
### Función de vacaciones

Si las puertas del aparato no se abren durante 12 horas tras colocar el termostato en la posición de máximo calor, la función de vacaciones se activará automáticamente.

Abra la puerta del aparato o cambie la posición del termostato para cancelar la función.

La función de vacaciones es opcional. Puede variar en función del tipo de producto y es posible que no esté disponible en todos los aparatos.

No se recomienda almacenar alimentos en el compartimento de más frío cuando la función de vacaciones esté activa.



## **Doble sistema de enfriamiento:**

Este frigorífico está equipado con dos sistemas de enfriamiento separados para enfriar el compartimento de alimentos frescos y el compartimento del congelador. De este modo, no se mezclan el aire del compartimento de alimentos frescos y el aire del compartimento del congelador. Gracias a estos dos sistemas de enfriamiento independientes, la velocidad de enfriamiento es muy superior a la de otros frigoríficos. No se mezclan los olores de los compartimentos. Además, se obtiene un ahorro de energía adicional porque el desescarche se realiza individualmente.

## **Congelación de alimentos frescos**

- Es preferible envolver o cubrir los alimentos antes de introducirlos en el frigorífico.
  - Los alimentos calientes deben dejarse enfriar hasta alcanzar la temperatura ambiente antes de introducirlos en el frigorífico.
  - Los alimentos que vaya a congelar deben ser frescos y estar en buen estado.
  - Los alimentos deben dividirse en porciones basadas en las necesidades de consumo de la familia.
  - \* Los alimentos deben empaquetarse herméticamente para evitar que se sequen, incluso aunque vayan a guardarse durante poco tiempo.
- Los materiales utilizados para empaquetar alimentos deben ser a prueba de desgarrones y resistentes al frío, a la humedad, los olores, los aceites y los ácidos, y además deben ser herméticos. También deben estar bien cerrados y estar hechos de materiales fáciles de utilizar y aptos para su uso en congeladores.
  - Los alimentos que vayan a ser congelados deben depositarse en el compartimento congelador. (No deje que entren en contacto con los alimentos previamente congelados para evitar que éstos puedan descongelarse parcialmente. La capacidad de congelación del aparato se menciona en las especificaciones técnicas del mismo).
  - Respete estrictamente los tiempos de conservación de alimentos congelados que encontrará en el apartado de información sobre la congelación.
  - Consuma inmediatamente los alimentos recién descongelados, y en ningún caso los vuelva a congelar.
  - Para obtener los mejores resultados, se deben tener en cuenta las siguientes instrucciones.
    1. No congele cantidades demasiado grandes de una sola vez. La calidad de los alimentos se conserva mejor si la congelación alcanza su interior lo antes posible.
    2. Si se introducen alimentos calientes en el compartimento congelador, se obliga al sistema de enfriamiento a funcionar de forma continua hasta congelarlos totalmente.
    3. Ponga especial cuidado en no mezclar alimentos ya congelados con alimentos frescos.

### Recomendaciones para la conservación de alimentos congelados

- Los alimentos congelados ya envasados disponibles en los comercios deben almacenarse de acuerdo con las instrucciones de su fabricante respecto de la conservación en un compartimento congelador de **★❄️❄️❄️** (4 estrellas).
- Si desea garantizar el mantenimiento de la calidad de los alimentos congelados proporcionada por el fabricante y por el comercio, tenga en cuenta lo siguiente:
  1. Coloque los paquetes de alimentos congelados en el congelador lo antes posible tras su compra.
  2. Asegúrese de que todos los contenidos tengan etiqueta y fecha.
  3. Respete las fechas de “Usar antes de” o “Consumir antes de” indicadas en los envases.

Si se produce un corte de corriente, no abra la puerta del congelador. Incluso si el corte de corriente tiene una duración superior al “Tiempo de aumento de temperatura” indicado en la sección de las “Especificaciones técnicas de su frigorífico”, los alimentos congelados se verán afectados. En caso de que la avería dure más, deberá comprobar el estado de los alimentos y en los casos necesarios consumirlos inmediatamente o bien cocinarlos y posteriormente volverlos a congelar.

### Deshielo

El compartimento del congelador se deshiela de manera automática.

Estantes del compartimento congelador	Alimentos congelados diversos tales como carnes, pescados, helados, verduras, etc.
Huevera	Huevos
Estantes del compartimento refrigerador	Alimentos en cazuelas, platos cubiertos y recipientes cerrados
Estantes de la puerta del compartimento refrigerador	Alimentos o bebida en envases pequeños (leche, zumos de frutas, cerveza, etc.)
Cajón de frutas y verduras	Verduras y frutas
Compartimento de alimentos frescos	Productos delicados (queso, mantequilla, embutidos, etc.)

### Información sobre la congelación

Los alimentos deben congelarse lo más rápido posible con el fin de mantenerlos en las mejores condiciones de calidad.

Los alimentos sólo pueden conservarse durante periodos prolongados de tiempo a temperaturas de  $-18^{\circ}\text{C}$  o menos.

A  $-18^{\circ}\text{C}$  o menos es posible mantener los alimentos frescos durante muchos meses en el congelador.

### ADVERTENCIA ⚠️

- Los alimentos deben dividirse en porciones basadas en las necesidades de consumo de la familia.
- Los alimentos deben empaquetarse herméticamente para evitar que se sequen, incluso si van a guardarse durante poco tiempo.

Materiales necesarios para el empaquetado:

- Cinta adhesiva resistente al frío
- Etiquetas autoadhesivas
- Gomas elásticas
- Bolígrafo
- Los materiales utilizados para empaquetar alimentos deben ser a prueba de desgarrones y resistentes al frío, la humedad, los olores, los aceites y los ácidos.

No deje que los alimentos entren en contacto con alimentos previamente congelados, con el fin de evitar que éstos puedan descongelarse parcialmente.

Respete siempre los valores especificados en las tablas para los periodos de conservación.

Consuma inmediatamente los alimentos recién descongelados, y en ningún caso los vuelva a congelar.

### **Parada del aparato**

Si su termostato dispone de posición “0”:

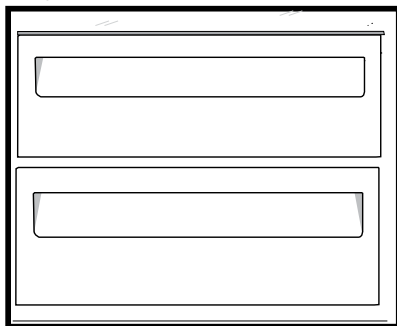
- Su aparato dejará de funcionar al poner el botón del termostato en la posición “0” (cero). El aparato no se pondrá en marcha hasta que no sitúe de nuevo el botón del termostato en la posición “1” o en cualquiera de las demás posiciones.

Si su termostato dispone de posición “min”:

- Desenchufe el aparato para detener su funcionamiento.

### **Compartimento de temperatura cero**

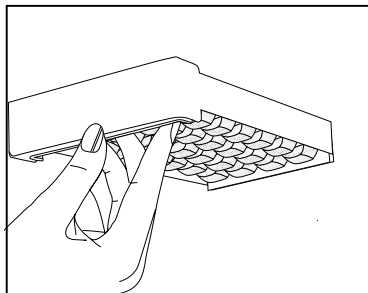
Este compartimento se ha diseñado para depositar en él alimentos congelados que requieran una descongelación lenta (carnes, pescados, pollo, etc.). El compartimento de temperatura cero es el lugar más frío del frigorífico, en el cual es posible conservar los productos lácteos (queso, mantequilla), las carnes, los pescados o el pollo en condiciones ideales de almacenamiento. No deposite verduras o frutas en este compartimento.



### **Producción de hielo**

Llene el contenedor de hielo con agua y colóquelo en su sitio. El hielo estará listo en unas dos horas.

Puede extraer fácilmente el hielo retorciendo ligeramente el contenedor de hielo.



## Descripción y limpieza del filtro antiolores:

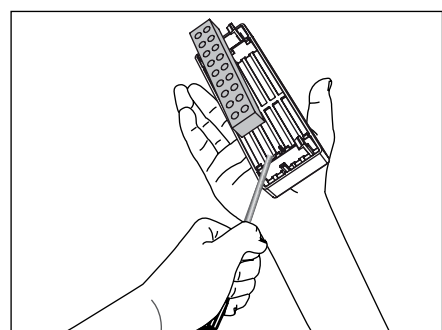
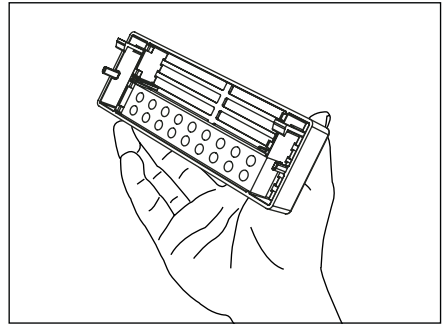
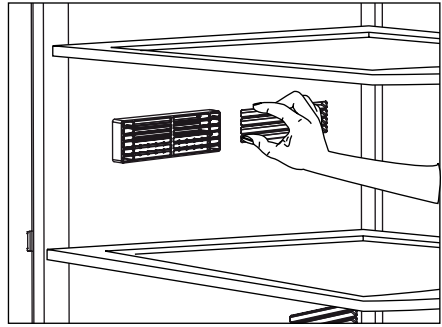
\* OPCIONAL

El filtro antiolores evita la proliferación de olores desagradables en el interior del frigorífico.

Tire hacia abajo de la cubierta del filtro y retírela, tal como se muestra en la ilustración. Deje el filtro expuesto a la luz solar durante un día. El filtro se limpiará en este período de tiempo.

Vuelva a colocar el filtro en su lugar.

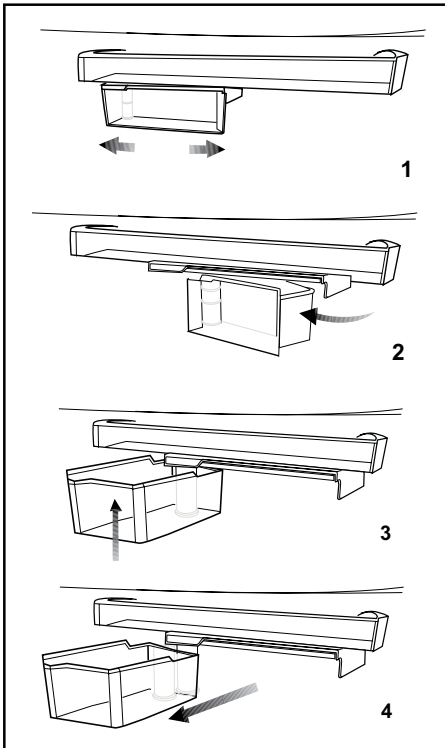
El filtro antiolores debe limpiarse una vez al año.



## Contenedor de almacenamiento giratorio

El estante de cuerpo deslizante puede desplazarse a izquierda o derecha para facilitarle la colocación de botellas largas, tarros o cajas en un estante inferior (Fig. 1).

Puede tomar los alimentos depositados en el estante haciendo éste por su borde derecho y haciéndolo girar (Fig. 2). Cuando desee cargarlo o bien extraerlo para limpiarlo, gírelo 90°, levántelo y tire de él hacia usted (Fig. 3-4).



## Icematic y fabricante de hielo con contenedor

### Uso del Icematic

\* Llene el Icematic con agua y colóquelo en su sitio. El hielo estará listo en unas dos horas. No extraiga el Icematic de su sitio para sacar hielo.

\* Gire los mandos situados sobre él 90 grados en la dirección de las agujas del reloj.

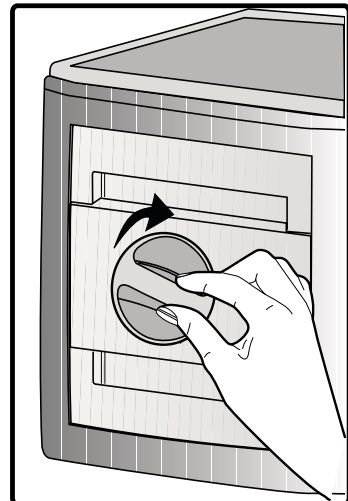
Los cubitos de hielo de las celdas caerán al contenedor de almacenamiento de hielo situado debajo.

\* Ahora puede retirar el contenedor de almacenamiento de hielo y servir los cubitos.

\* Si lo desea, puede dejar los cubitos en el contenedor de almacenamiento de hielo.

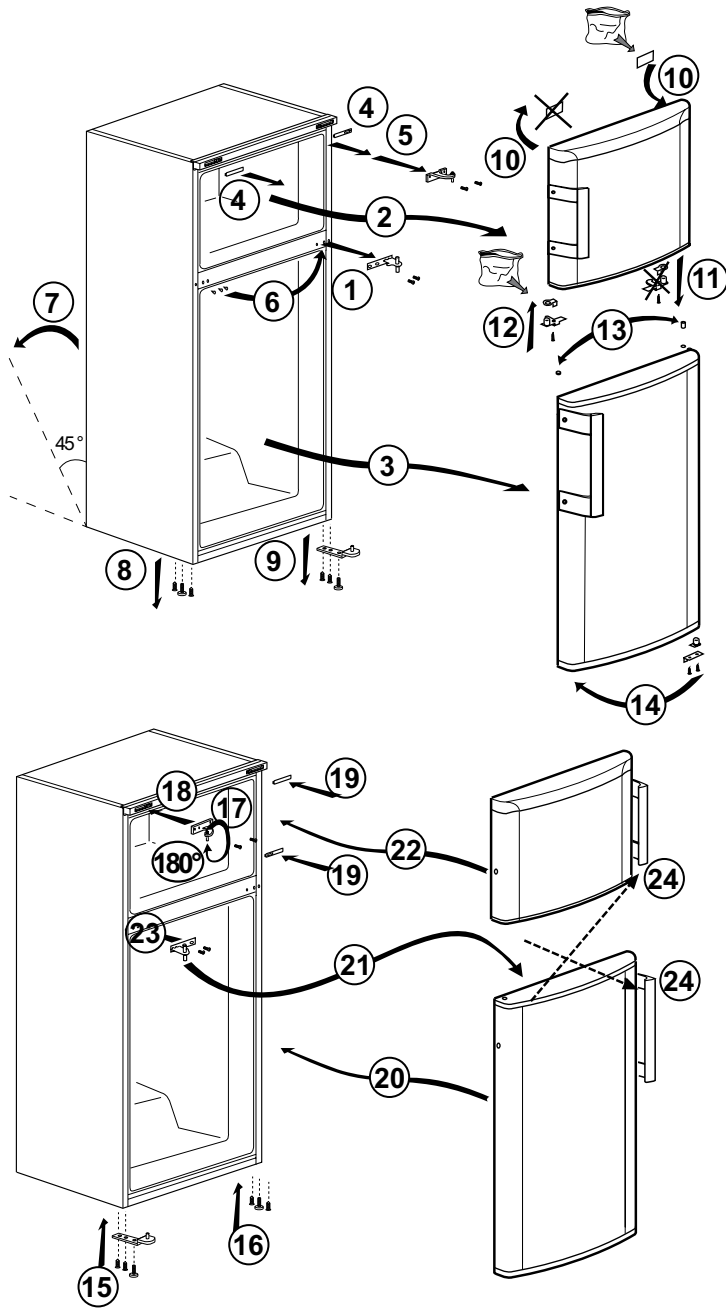
### Contenedor de almacenamiento de hielo

El contenedor de almacenamiento de hielo debe utilizarse únicamente para almacenar cubitos de hielo. No eche agua en el depósito, ya que podría romperse.



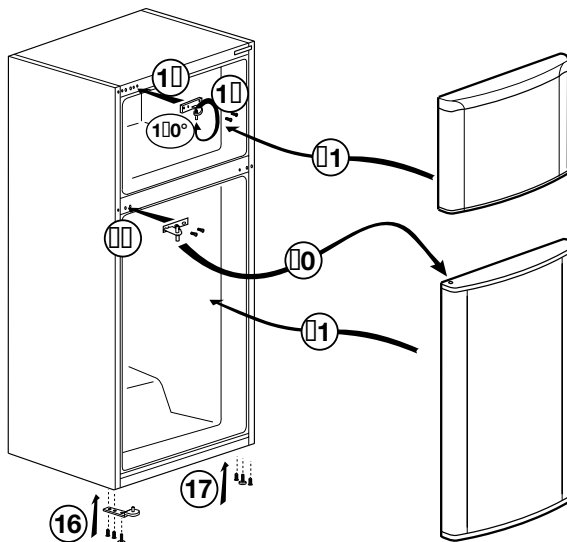
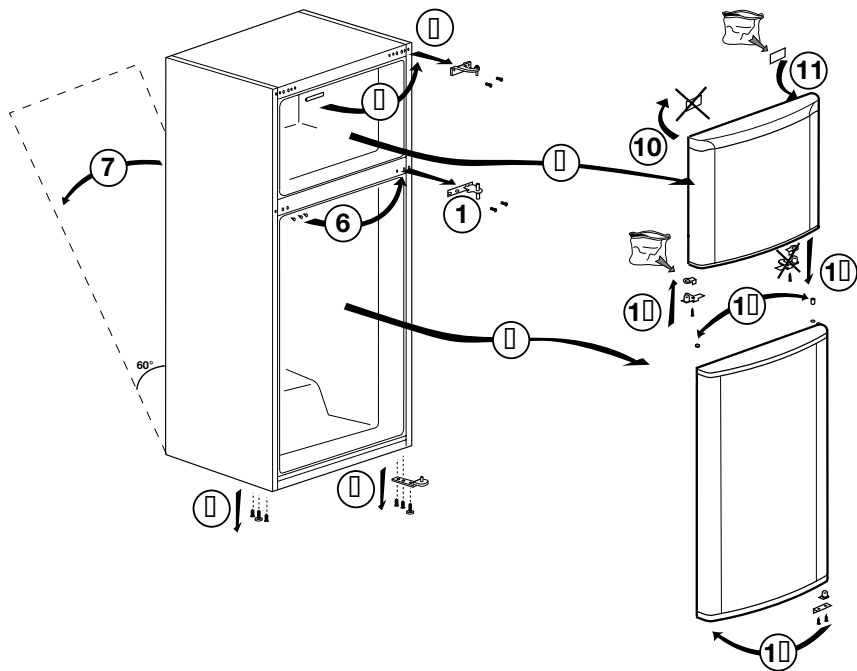
# Inversión de la puerta

Continúe en orden de número



# Inversión de la puerta

Continúe en orden de número





## 6 Mantenimiento y limpieza

---

- ⚠ No utilice nunca gasolina, benceno o sustancias similares para la limpieza.
- ⚠ Le recomendamos desenchufar el aparato antes de proceder a su limpieza.
- ❗ No utilice nunca para la limpieza instrumentos afilados o sustancias abrasivas, jabones, limpiadores domésticos, detergentes ni ceras abrillantadoras.
- ❗ En el caso de productos con sistema de enfriamiento cíclico o estático, se pueden producir gotas de agua y una capa de hielo en la pared trasera del compartimento del frigorífico. No lo limpie, nunca aplique aceite o agentes similares en el mismo.
- ❗ Utilice solo paños de microfibra ligeramente humedecidos para limpiar la superficie exterior del producto. Las esponjas u otro tipo de paños de limpieza pueden rayar la superficie.
- ❗ Limpie el armario del frigorífico con agua tibia y séquelo con un paño.
- ❗ Para limpiar el interior, utilice un paño humedecido en un vaso grande de agua con una cucharadita de bicarbonato sódico disuelta y séquelo con un trapo.
- ⚠ Asegúrese de que no penetre agua en el alojamiento de la lámpara ni en otros elementos eléctricos.
- ⚠ Si no va a utilizar el frigorífico durante un periodo prolongado, desenchúfelo, retire todos los alimentos, límpielo y deje la puerta entreabierta.
- ❗ Compruebe regularmente los cierres herméticos de la puerta para asegurarse de que estén limpios y sin restos de alimentos.
- ❗ Para extraer las bandejas de la puerta, retire todo su contenido y, a continuación, simplemente empuje la bandeja hacia arriba desde su base.
- ❗ Nunca use agentes de limpieza o agua que contengan cloro para limpiar las superficies exteriores y los cromados del producto, ya que el cloro corroe dichas superficies metálicas.
- ❗ No utilice herramientas afiladas y abrasivas ni jabón, productos de limpieza domésticos, detergentes, gasolina, benceno, cera, etc., de lo contrario los sellos en las piezas de plástico se caerán y deformarán. Use agua tibia y un paño suave para limpiar y secar.

### Protección de las superficies de plástico

- ❗ No deposite aceites líquidos o alimentos aceitosos en recipientes no cerrados ya que dañarán las superficies de plástico de su frigorífico. En caso de derrame de aceite sobre las superficies de plástico, limpie y enjuague con agua caliente la parte afectada de inmediato.

## 7 Sugerencias para la solución de problemas

Le rogamos compruebe la siguiente lista antes de llamar al servicio técnico. Ello puede ayudarle a ahorrar tiempo y dinero. Esta lista incluye problemas frecuentes no achacables a defectos en materiales o manufactura. Es posible que algunas de las características mencionadas no estén presentes en su

### El refrigerador no funciona

- ¿Está el frigorífico correctamente enchufado? Inserte el enchufe en la toma de corriente.
- ¿Están fundidos el fusible principal o el fusible del enchufe al cual ha conectado el frigorífico? Revise los fusibles.

### Condensación en la pared lateral del compartimento refrigerador. (MULTI ZONE, COOL CONTROL y FLEXI ZONE)

- Condiciones ambientales muy frías. Frecuente apertura y cierre de la puerta. Nivel alto de humedad ambiental. Almacenamiento de alimentos que contienen líquidos en recipientes abiertos. Dejar la puerta entreabierta.
- Ponga el termostato a una temperatura más baja.
- Deje la puerta abierta durante menos tiempo o ábrala con menor frecuencia.
- Cubra los alimentos almacenados en recipientes abiertos con un material adecuado.
- Enjague el agua condensada con un paño seco y compruebe si la condensación persiste.

### El compresor no funciona

- El dispositivo térmico protector del compresor saltará en caso de un corte súbito de energía o de idas y venidas de la corriente, ya que la presión del refrigerante en el sistema de enfriamiento aún no se ha estabilizado.
- Su frigorífico se pondrá en marcha transcurridos unos 6 minutos. Llame al servicio técnico si su frigorífico no se pone en marcha transcurrido ese periodo.
- El frigorífico se encuentra en el ciclo de descongelación. Esto es normal en un frigorífico con descongelación automática. El ciclo de descongelación se produce de forma periódica.
- El frigorífico no está enchufado. Compruebe que el enchufe esté firmemente insertado en la toma de corriente.
- ¿Está la temperatura correctamente fijada? Hay un corte del fluido eléctrico. Llame a su electricista.

El frigorífico está en funcionamiento con frecuencia o durante periodos prolongados.

<ul style="list-style-type: none"> <li>• Puede que su nuevo frigorífico sea más grande que el que tenía anteriormente. Esto es perfectamente normal. Los frigoríficos de mayor tamaño funcionan durante más tiempo.</li> <li>• Es posible que la temperatura ambiente de la estancia sea más alta. Esto es perfectamente normal.</li> <li>• Es posible que haya enchufado el frigorífico o bien lo haya cargado de alimentos recientemente. Puede que el frigorífico tarde unas dos horas en enfriarse por completo.</li> <li>• Es posible que recientemente haya depositado grandes cantidades de alimentos en el frigorífico. Los alimentos calientes pueden ocasionar que el frigorífico trabaje durante más tiempo hasta alcanzar la temperatura de almacenamiento seguro.</li> <li>• Es posible que las puertas se hayan abierto con frecuencia o que se hayan dejado entreabiertas por un tiempo prolongado. El aire caliente que ha penetrado en el frigorífico hace que éste funcione durante más tiempo. Abra las puertas con menos frecuencia.</li> <li>• Es posible que la puerta del compartimento frigorífico o congelador se haya dejado entreabierta. Compruebe que las puertas estén bien cerradas.</li> <li>• El frigorífico está ajustado a una temperatura muy baja. Ajuste la temperatura del frigorífico a un valor más alto y espere a que se alcance dicha temperatura.</li> <li>• La junta de la puerta del compartimento frigorífico o congelador puede estar sucia, desgastada, rota o no asentada correctamente. Limpie o sustituya la junta. Una junta rota o dañada hace que el frigorífico funcione durante más tiempo con el fin de mantener la temperatura actual.</li> </ul>
La temperatura del congelador es muy baja, mientras que la del frigorífico es correcta.
<ul style="list-style-type: none"> <li>• La temperatura del congelador está ajustada a un valor muy bajo. Ajuste la temperatura del congelador a un valor más elevado y compruebe.</li> </ul>
La temperatura del frigorífico es muy baja, mientras que la del congelador es correcta.

<ul style="list-style-type: none"> <li>• La temperatura del compartimento frigorífico está ajustada a un valor muy bajo. Ajuste la temperatura del frigorífico a un valor más elevado y compruebe.</li> </ul>
Los alimentos depositados en los cajones del compartimento frigorífico se están congelando.
<ul style="list-style-type: none"> <li>• La temperatura del compartimento frigorífico está ajustada a un valor muy bajo. Ajuste la temperatura del frigorífico a un valor más elevado y compruebe.</li> </ul>
La temperatura del congelador o el frigorífico es muy alta.
<ul style="list-style-type: none"> <li>• La temperatura del frigorífico está ajustada a un valor muy alto. El ajuste de la temperatura del frigorífico afecta a la temperatura del congelador. Cambie la temperatura del frigorífico o del congelador hasta que alcance un nivel suficiente.</li> <li>• Es posible que la puerta se haya quedado entreabierta. Cierre la puerta del todo.</li> <li>• Es posible que recientemente haya depositado grandes cantidades de alimentos en el frigorífico. Espere hasta que el frigorífico o el congelador alcance la temperatura deseada.</li> <li>• Es posible que el frigorífico haya sido enchufado recientemente. El enfriamiento completo del frigorífico lleva un tiempo debido a su tamaño.</li> </ul>
Puede escucharse un sonido parecido al tic tac de un reloj saliendo del frigorífico.
<ul style="list-style-type: none"> <li>• Este ruido procede de la electroválvula del frigorífico. La electroválvula garantiza el flujo de líquido refrigerante a través del compartimento, que puede ajustarse a temperaturas de enfriamiento o congelación así como llevar a cabo funciones de refrigeración. Esto es perfectamente normal y no es ninguna anomalía.</li> </ul>

El nivel de ruidos propios del funcionamiento se incrementa cuando el frigorífico está en marcha.

- Las características de rendimiento del frigorífico pueden cambiar en función de las variaciones en la temperatura ambiente. Esto es perfectamente normal, no es ninguna avería.

Vibraciones o ruidos.

- El suelo no está nivelado ni es firme. El frigorífico oscila al moverlo lentamente. Compruebe que el suelo esté nivelado y sea firme y capaz de soportar el peso del frigorífico.
- El ruido puede deberse a los elementos guardados en el frigorífico. Tales objetos deben retirarse de la parte superior del frigorífico.

Pueden oírse ruidos como si un líquido se derramara o se pulverizara.

- Los líquidos y gases fluyen de acuerdo con los principios de funcionamiento del frigorífico. Esto es perfectamente normal, no es ninguna avería.

Puede oírse un ruido parecido al viento.

- Se utilizan ventiladores con el fin de hacer que el frigorífico se enfríe con eficiencia. Esto es perfectamente normal, no es ninguna avería.

Condensación en las paredes interiores del frigorífico.

- El tiempo cálido y húmedo favorece la formación de hielo y la condensación. Esto es perfectamente normal, no es ninguna avería.
- Las puertas están entreabiertas. Asegúrese de que las puertas estén completamente cerradas.
- Es posible que las puertas se hayan estado abriendo con frecuencia o que se hayan dejado abiertas durante un periodo prolongado. Abra las puertas con menor frecuencia.

Hay humedad en el exterior del frigorífico o entre las puertas.

- Puede que haya humedad ambiental. Esto es perfectamente normal en climas húmedos. Cuando el grado de humedad descienda, la condensación desaparecerá.

Mal olor en el interior del frigorífico.

- El interior del frigorífico debe limpiarse. Limpie el interior del frigorífico con una esponja empapada en agua caliente o agua con gas.
- Es posible que el olor provenga de algún recipiente o envoltorio. Utilice otro recipiente o materiales para envolver de una marca diferente.

La puerta (o puertas) no se cierra.

- Puede que los paquetes de alimentos depositados no dejen que las puertas se cierren. Recolecte los paquetes que estén obstruyendo la puerta.
- Es probable que el frigorífico no esté en posición completamente vertical sobre el suelo y que oscile si se lo mueve ligeramente. Ajuste los tornillos de elevación.
- El suelo no está nivelado o no es firme. Compruebe que el suelo esté nivelado y que sea capaz de soportar el peso del frigorífico.

Los cajones están atascados.

- Es posible que algún alimento toque el techo del cajón. Cambie la distribución de los alimentos en el cajón.

Si la superficie del producto está caliente

- Pueden observarse altas temperaturas entre las dos puertas, en los paneles laterales y en la parrilla trasera mientras el producto esté en funcionamiento. Se trata de algo normal y no requiere mantenimiento del servicio.

## **Veillez commencer par lire ce manuel d'utilisation!**

Cher client,

Nous espérons que votre produit, qui a été fabriqué dans des usines modernes et vérifié au terme des procédures de contrôle de qualité les plus méticuleuses, vous donnera entière satisfaction.

Veillez donc lire attentivement l'intégralité de ce manuel avant de commencer à utiliser le produit et conservez-le manuel comme référence. Si vous remettez cet appareil à quelqu'un d'autre, remettez-lui également le manuel d'utilisation.

## **Ce manuel vous aidera à utiliser votre produit en toute sécurité et efficacement.**

- Lisez le manuel avant d'installer et de faire fonctionner votre produit.
- Veillez à lire les instructions de sécurité.
- Laissez ce manuel dans un endroit facile d'accès car vous pourriez en avoir besoin ultérieurement.
- Lisez également la documentation fournie avec le produit.

N'oubliez pas que le manuel d'utilisation est également valable pour plusieurs autres modèles. Les différences entre les différents modèles seront identifiées dans le manuel.

## **Explication des symboles**

### **Les symboles ci-dessous sont utilisés dans le manuel d'utilisation:**

 Informations importantes ou astuces.

 Avertissement relatif aux situations dangereuses pour la vie et la propriété.

 Avertissement relatif à la tension électrique.

## TABLE DES MATIÈRES

### **1 Votre/réfrigérateur 3**

### **2 Précautions de sécurité importantes 4**

Sécurité générale.....	5
Pour les appareils dotés d'une fontaine à eau.....	9
Sécurité enfants.....	9
Conformité avec la réglementation	
DEEE et mise au rebut des déchets...9	
Informations relatives à l'emballage..	10
Avertissement HC.....	10
Mesures d'économie d'énergie.....	10
Recommandations relatives au compartiment des produits frais .....	11

### **3 Installation 12**

Éléments à prendre en considération lors du déplacement de votre réfrigérateur.....	12
Avant de mettre votre réfrigérateur en marche.....	12
Branchement électrique.....	13
Mise au rebut de l'emballage .....	13
Mise au rebut de votre ancien réfrigérateur .....	13
Disposition et Installation .....	13
Réglage des pieds.....	14
Remplacement de l'ampoule .....	14

### **4 Préparation 15**

### **5 Utilisation de votre réfrigérateur 17**

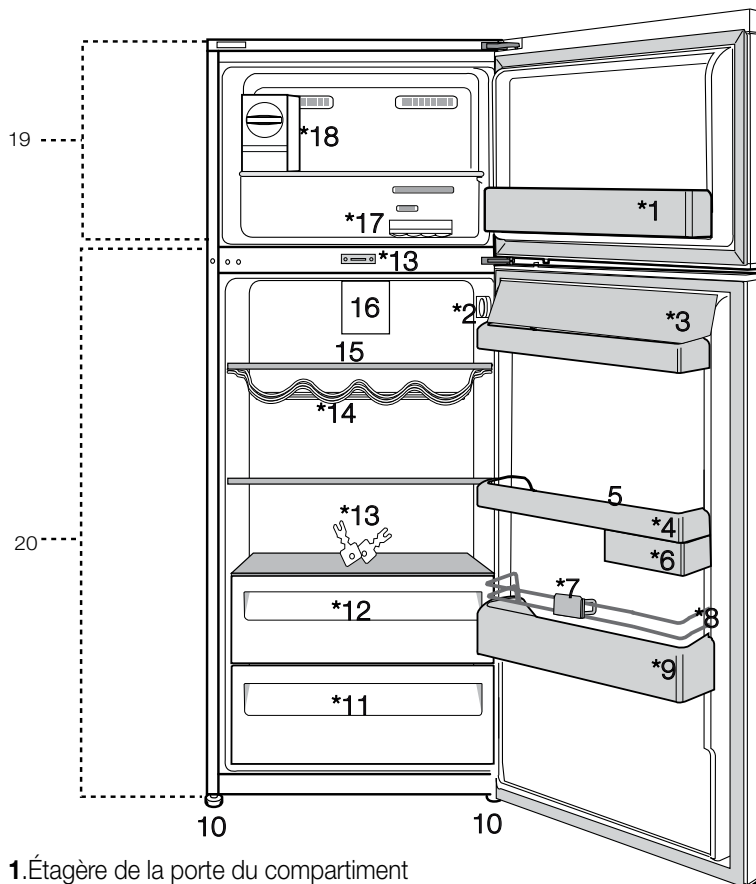
Bouton de réglage de la température	17
Réglage de la température de votre congélateur/réfrigérateur.....	17
Système de réfrigération Dual .....	17
Interruption du produit .....	17
Fonction Vacances .....	18
Système de réfrigération NeoFrost :.	18
Congélation des produits frais .....	18
Recommandations concernant la conservation des aliments congelés	19
Disposition des aliments .....	19
Informations concernant la congélation.....	19
Fabrication de glaçons .....	20
Récipient de conservation rotatif.....	20
Distributeur et récipient de conservation de glaçons.....	21
(dans certains modèles).....	21
Compartiment 0/3° .....	21
Description et nettoyage du filtre à odeurs .....	22
Réversibilité des portes.....	23
Réversibilité des portes.....	24

### **6 Entretien et nettoyage 25**

Protection des surfaces en plastique. ....	25
--	----

### **7 Solutions recommandées aux problèmes 26**

# 1 Votre/réfrigérateur



1.Étagère de la porte du compartiment congélateur

2.Bouton de réglage de température

3.Sections pour Beurre et Fromages

4.Balconnet de la porte du compartiment de réfrigération

5.Supports à œufs

6.Récipient de conservation rotatif

7.Range-bouteilles

8.Support métallique

9.Clayette range-bouteilles

10.Pieds ajustables

11.Couvercle du bac à légumes

12.Compartiment Zone fraîche

13. Clé

14.Clayette support bouteille

15. Clayettes en verre du compartiment de réfrigération

16.Turbine de ventilation

17.Récipient à glaçons

18.Distributeur de glaçons

19.Compartiment congélateur

20.Compartiment réfrigérateur


**\*en option**





Les illustrations présentées dans cette notice d'utilisation sont schématiques et peuvent ne pas correspondre exactement à votre produit. Si des pièces présentées ne sont pas comprises dans le produit que vous avez acheté, elles sont valables pour d'autres modèles.

## 2 Précautions de sécurité importantes

Veillez examiner les informations suivantes : Cet appareil peut être utilisé par des enfants âgés d'au moins 8 ans et par des personnes ayant des capacités physiques, sensorielles ou mentales réduites ou dénuées d'expérience ou de connaissance, s'ils (si elles) sont correctement surveillé(e)s ou si des instructions relatives à l'utilisation de l'appareil en toute sécurité leur ont été données et si les risques encourus ont été appréhendés. Les enfants ne doivent pas jouer avec l'appareil. Le nettoyage et l'entretien par l'utilisateur ne doivent pas être effectués par des enfants sans surveillance. Le non respect de ces consignes peut entraîner des blessures ou dommages matériels. Sinon, tout engagement lié à la garantie et à la fiabilité du produit devient invalide.

Les pièces détachées d'origine sont disponibles pendant 10 ans, à compter de la date d'achat du produit.

	<p><b>REMARQUE :</b> Assurez-vous que les trous d'aération ne sont pas fermés quand le dispositif est dans son boîtier ou est installé à sa place.</p>
---	--

	<p><b>REMARQUE:</b> Ne pas utiliser tout dispositif mécanique ou un autre dispositif hors des recommandations du fabricant pour accélérer le processus de décongeler.</p>
	<p><b>REMARQUE:</b> Ne pas endommager le circuit de fluide du réfrigérateur.</p>
	<p><b>REMARQUE:</b> Ne pas utiliser des appareils électriques non prévus par le fabricant dans les compartiments de conservation des aliments.</p>
	<p><b>AVERTISSEMENT:</b> Ne conservez pas de substances explosives comme des aérosols avec un liquide inflammable dans cet appareil.</p>

Ce dispositif est conçu pour l'usage domestique ou les applications similaires suivantes :

- Pour être utilisé dans la cuisine de personnel dans les magasins, bureaux et autres environnements de travail ;
- Pour être utilisé par les clients dans les maisons de campagne et hôtels et les autres environnements d'hébergement ;



- Dans des environnements de type de pension de famille
- Dans des applications similaires n'ayant pas de service alimentaire et non détaillants

### **Sécurité générale**

- Si le cordon d'alimentation est endommagé, celui-ci doit être remplacé par le fabricant, ses agents agréés ou tout autre agent qualifié afin d'être à l'abri de tout danger.
- Avant de vous débarrasser de votre appareil, veuillez consulter les autorités locales ou votre revendeur pour connaître le mode opératoire et les organismes de collecte agréés.
- Consultez le service après-vente agréé concernant toutes questions ou problèmes relatifs au réfrigérateur. N'intervenez pas ou ne laissez personne intervenir sur le réfrigérateur sans le communiquer au service après-vente agréé.
- Pour les produits équipés d'un compartiment congélateur : ne mangez pas de cônes de crème glacée ou des glaçons immédiatement après les avoir sortis du compartiment de congélation ! (Cela pourrait provoquer des engelures).
- Pour les produits équipés d'un compartiment congélateur : ne placez

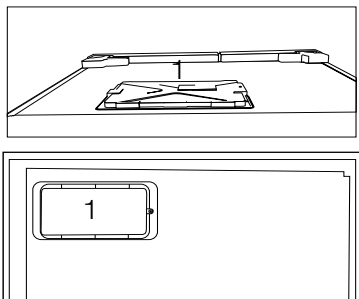
pas de boissons en bouteille ou en cannette dans le compartiment de congélation. Cela peut entraîner leur éclatement.

- Ne touchez pas des produits congelés avec les mains, ils pourraient se coller à celles-ci.
- Débranchez votre réfrigérateur avant de le nettoyer ou de le dégivrer.
- La vapeur et des matériaux de nettoyage pulvérisés ne doivent jamais être utilisés pour les processus de nettoyage ou de dégivrage de votre réfrigérateur. La vapeur pourrait pénétrer dans les pièces électriques et provoquer des courts-circuits ou des électrocutions.
- Ne jamais utiliser les pièces de votre réfrigérateur telles que la porte, comme un support ou une marche.
- N'utilisez pas d'appareils électriques à l'intérieur du réfrigérateur.
- N'endommagez pas les pièces où circule le liquide réfrigérant avec des outils de forage ou coupants. Le liquide réfrigérant qui pourrait s'échapper si les canalisations de gaz de l'évaporateur, les rallonges de tuyau ou les revêtements de surface étaient percés, cela pourrait irriter la peau et provoquer des blessures aux yeux.

- Ne pas couvrir ou obstruer les orifices de ventilation du réfrigérateur.
- Les appareils électriques peuvent être réparés seulement par des personnes autorisées. Les réparations réalisées par des personnes ne présentant pas les compétences requises peuvent présenter un risque pour l'utilisateur.
- En cas de dysfonctionnement ou lors d'opérations d'entretien ou de réparation, débranchez l'alimentation électrique du réfrigérateur soit en désactivant le fusible correspondant, soit en débranchant l'appareil.
- Assurez-vous que les boissons comportant un taux d'alcool très élevé sont conservées en sécurité avec leur couvercle fixé et placées en position verticale.
- Placez les boissons alcoolisées verticalement, dans des récipients convenablement fermés.
- Ne conservez jamais des aérosols contenant des substances inflammables et explosives dans le réfrigérateur.
- N'utilisez pas d'outils mécaniques ou autres dispositifs pour accélérer le processus de décongélation autres que ceux qui sont recommandés par le fabricant.
- Ce produit n'est pas conçu pour être utilisé par des personnes (enfants compris) souffrant de déficience physique, sensorielle, mentale, ou inexpérimentées, à moins d'avoir obtenu une autorisation auprès des personnes responsables de leur sécurité.
- Ne faites pas fonctionner un réfrigérateur endommagé. Consultez le service agréé en cas de problème.
- La sécurité électrique du réfrigérateur n'est assurée que si le système de mise à la terre de votre domicile est conforme aux normes en vigueur.
- L'exposition du produit à la pluie, la neige, au soleil ou au vent présente des risques concernant la sécurité électrique.
- Contactez le service agréé quand un câble d'alimentation est endommagé pour éviter tout danger.
- Ne branchez jamais le réfrigérateur à la prise murale au cours de l'installation. Vous vous exposeriez à un risque de mort ou à de blessures graves.
- Ce réfrigérateur est conçu seulement pour conserver des aliments. Par conséquent, il ne doit pas être utilisé à d'autres fins.

- L'étiquette avec les caractéristiques techniques est située sur la paroi gauche à l'intérieur du réfrigérateur.
- Ne branchez jamais votre réfrigérateur à des systèmes d'économie d'énergie, cela peut l'endommager.
- S'il y a une lumière bleue sur le réfrigérateur, ne la regardez ni avec vos yeux nus, ni avec des outils optiques pendant longtemps.
- Pour les réfrigérateurs contrôlés manuellement, attendez au moins 5 minutes pour allumer le réfrigérateur après une coupure de courant.
- Si cet appareil venait à changer de propriétaire, n'oubliez pas de remettre la présente notice d'utilisation au nouveau bénéficiaire.
- Évitez d'endommager le câble d'alimentation quand vous transportez le réfrigérateur. Tordre le câble peut entraîner un incendie. Ne placez jamais d'objets lourds sur le câble d'alimentation.
- Évitez de toucher à la prise avec des mains mouillées au moment de brancher l'appareil.
- Évitez de brancher le réfrigérateur lorsque la prise de courant électrique a lâché.
- Pour des raisons de sécurité, évitez de pulvériser directement de l'eau sur les parties externes et internes du réfrigérateur.
- Ne pulvérisez pas de substances contenant des gaz inflammables comme du propane près du réfrigérateur pour éviter tout risque d'incendie et d'explosion.
- Ne placez jamais de récipients contenant de l'eau sur votre réfrigérateur, ils pourraient causer des chocs électriques ou un incendie.
- Évitez de surcharger le réfrigérateur avec une quantité excessive d'aliments. S'il est surchargé, les aliments peuvent tomber, vous blesser et endommager le réfrigérateur quand vous ouvrez la porte.
- Ne placez jamais d'objets au-dessus du réfrigérateur, ils pourraient tomber quand vous ouvrez ou fermez la porte du réfrigérateur.
- Les produits qui nécessitent un contrôle de température précis (vaccin, médicament sensible à la chaleur, matériels scientifiques, etc.) ne doivent pas être conservés dans le réfrigérateur.
- Si le réfrigérateur n'est pas utilisé pendant longtemps, il doit être débranché. Un problème avec le câble d'alimentation pourrait causer un incendie.

- Le réfrigérateur peut bouger si ses pieds réglables ne sont pas bien fixés sur le sol. Bien fixer les pieds réglables sur le sol peut empêcher le réfrigérateur de bouger.
- Quand vous transportez le réfrigérateur, ne le tenez pas par la poignée de la porte. Cela peut le casser.
- Quand vous devez placer votre produit près d'un autre réfrigérateur ou congélateur, la distance entre les appareils doit être d'au moins 8 cm. Sinon, les murs adjacents peuvent être humidifiés.
- Lors du positionnement de l'appareil, s'assurer que le câble d'alimentation n'est ni coincé, ni endommagé.
- Ne pas placer des prises multiples ou des blocs d'alimentation portables à l'arrière de l'appareil.
- Les enfants âgés de 3 à 8 ans sont autorisés à charger et décharger les réfrigérateurs.
- Pour éviter la contamination des aliments, veuillez respecter les instructions suivantes :
- L'ouverture prolongée de la porte peut provoquer une augmentation significative de la température dans l'appareil.
- Nettoyez régulièrement les surfaces qui peuvent entrer en contact avec les aliments et les systèmes de drainage accessibles.
- Nettoyez les réservoirs d'eau s'ils n'ont pas été utilisés depuis 48 h ; rincez le système d'eau raccordé à une alimentation en eau si l'eau n'a pas été pompée depuis 5 jours.
- Conservez la viande et le poisson crus dans des récipients appropriés au réfrigérateur, de façon à ce qu'ils ne soient pas en contact avec d'autres aliments ou ne gouttent dessus.
- Les compartiments à aliments surgelés deux étoiles conviennent à la conservation d'aliments pré-congelés, à la conservation ou à la fabrication de glace et glaçons.
- Les compartiments une, deux et trois étoiles ne conviennent pas à la congélation des aliments frais.
- Si le réfrigérateur est laissé vide pendant une période prolongée, éteignez-le, dégivrez-le, nettoyez-le, séchez-le et laissez la porte ouverte pour éviter la formation de moisissure à l'intérieur de l'appareil.
- Ne jamais utiliser le produit si la section située dans sa partie supérieure ou inférieure avec cartes de circuits imprimés électroniques à l'intérieur est ouverte (couvercle de cartes de circuits imprimés électroniques) (1).



- Lors du positionnement de l'appareil, s'assurer que le câble d'alimentation n'est ni coincé, ni endommagé.
- Ne pas placer des prises multiples ou des blocs d'alimentation portables à l'arrière de l'appareil.

### **Pour les appareils dotés d'une fontaine à eau**

- La pression de l'eau froide à l'entrée ne doit pas excéder 90 psi (620 kPa). Si votre pression d'eau dépasse 80 psi (550 kPa), utilisez une soupape de limitation de pression sur votre réseau de conduite. Si vous ne savez pas comment vérifiez la pression de l'eau, demandez l'assistance d'un plombier professionnel.
- S'il existe un risque d'effet coup de bélier sur votre installation, utilisez systématiquement un équipement de protection contre l'effet coup de bélier sur celle-ci. Consultez des plombiers professionnels si vous n'êtes pas sûr de la présence de cet effet sur votre installation.
- Ne l'installez pas sur l'entrée d'eau chaude. Prenez des précautions contre le risque

de congélation des tuyaux. L'intervalle de fonctionnement de la température des eaux doit être de 33 F (0,6°C) au moins et de 100 F (38 C) au plus.

- Utilisez uniquement de l'eau potable.

### **Sécurité enfants**

- Si la porte a un verrouillage, la clé doit rester hors de portée des enfants.
- Les enfants doivent être surveillés et empêchés de s'amuser avec le produit.

### **Conformité avec la réglementation DEEE et mise au rebut des déchets**

Ce produit ne contient pas de matériaux dangereux et interdits décrits dans la « Règlementation sur le contrôle des déchets d'équipements électriques et électroniques » publié par le Ministère de l'Environnement et de l'Urbanisme. Conforme avec la réglementation DEEE.



Le présent produit a été fabriqué avec des pièces et du matériel de qualité supérieure susceptibles d'être réutilisés et adaptés au recyclage. Par conséquent, nous vous conseillons de ne pas le mettre au rebut aux côtés des ordures ménagères à la fin de sa durée de vie. Au contraire, rendez-vous dans un point de collecte pour le recyclage de tout matériel électrique et électronique. Veuillez vous rapprocher des autorités de votre localité pour plus d'informations concernant le point de collecte le plus proche. Aidez-nous à protéger l'environnement et les ressources naturelles en recyclant les produits usagés. Pour la sécurité des enfants,

coupez le câble d'alimentation et le mécanisme de verrouillage de la porte, le cas échéant. Ce faisant, vous rendez l'appareil inopérant avant sa mise au rebut.

## **Informations relatives à l'emballage**

Les matériaux d'emballage de cet appareil sont fabriqués à partir de matériaux recyclables, conformément à nos Réglementations Nationales en Environnement. Ne mélangez pas les matériaux d'emballage avec les déchets domestiques ou d'autres déchets. Amenez-les aux points de collecte des matériaux d'emballage, désignés par les autorités locales.

### **N'oubliez pas...**

Pour la préservation de la nature et de notre santé, il est indispensable de recycler les matières.

Si vous voulez contribuer au recyclage des matériaux d'emballage, vous pouvez vous renseigner auprès d'organisations environnementales ou de l'autorité locale proche de votre domicile.

## **Avertissement HC**

### **Si le système de refroidissement de votre appareil contient R600a :**

Ce gaz est inflammable. Par conséquent, veuillez prendre garde à ne pas endommager le système de refroidissement et les tuyauteries lors de son utilisation ou de son transport. En cas de dommages, éloignez votre produit de toute source potentielle de flammes susceptible de provoquer l'incendie de l'appareil. De même, placez le produit dans une pièce aérée.

### **Ne tenez pas compte de cet avertissement si le système de refroidissement de votre appareil contient R134a.**

Le type de gaz utilisé dans l'appareil est mentionné sur la plaque signalétique située sur la paroi gauche de l'intérieur du réfrigérateur.

Ne jetez jamais l'appareil au feu pour vous en débarrasser.

### **Mesures d'économie d'énergie**

- Ne laissez pas les portes du réfrigérateur ouvertes pendant une durée prolongée.
- N'introduisez pas de denrées ou de boissons chaudes dans le réfrigérateur.
- Ne surchargez pas le réfrigérateur pour ne pas obstruer pas la circulation d'air à l'intérieur.
- N'installez pas le réfrigérateur à la lumière directe du soleil ou près d'appareil émettant de la chaleur tels qu'un four, un lave-vaisselle ou un radiateur. Maintenez une distance d'au moins 30 cm entre votre réfrigérateur et toute source de chaleur, et à une distance de 5cm d'un four électrique.
- Veillez à conserver vos denrées dans des récipients fermés.
- Pour les produits équipés d'un compartiment congélateur : vous pouvez conserver une quantité maximale d'aliments dans le congélateur quand vous enlevez l'étagère ou le tiroir du congélateur.

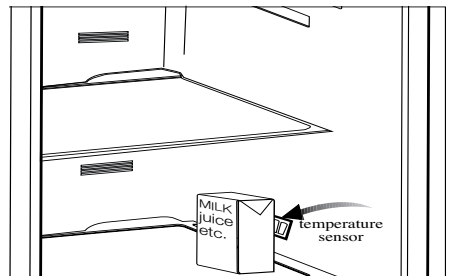
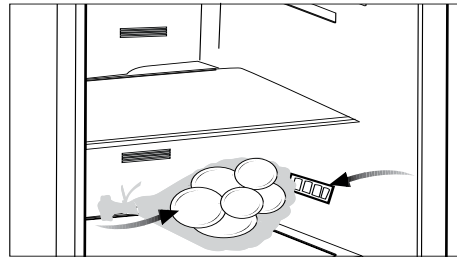
La consommation d'énergie précisée pour votre réfrigérateur a été déterminée en enlevant l'étagère ou le tiroir du congélateur et avec la charge maximale. Il n'y a aucun risque à utiliser une étagère ou un tiroir en fonction des formes et tailles des denrées à congeler.

- La décongélation des aliments dans le compartiment réfrigérateur permet de faire des économies d'énergie et de préserver la qualité des aliments.

## Recommandations relatives au compartiment des produits frais

**\*en option**

- Ne laissez pas les aliments toucher le capteur de température situé dans le compartiment des produits frais. Pour que le compartiment des produits frais conserve sa température idéale, le capteur ne doit pas être encombré par des aliments.
- Ne placez pas de denrées chaudes dans votre appareil.



### 3 Installation

#### **⚠ AVERTISSEMENT:**

Dans l'hypothèse ou l'information contenue dans ce manuel n'a pas été prise en compte par l'utilisateur, le fabricant ne sera aucunement responsable en cas de problèmes.

#### **Éléments à prendre en considération lors du déplacement de votre réfrigérateur**

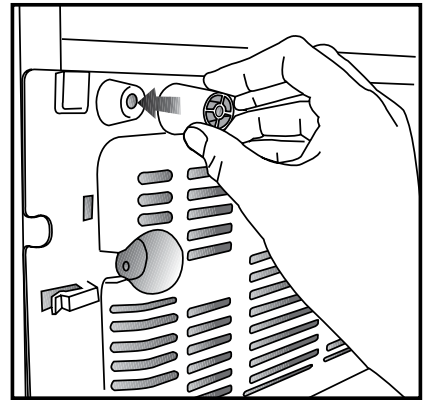
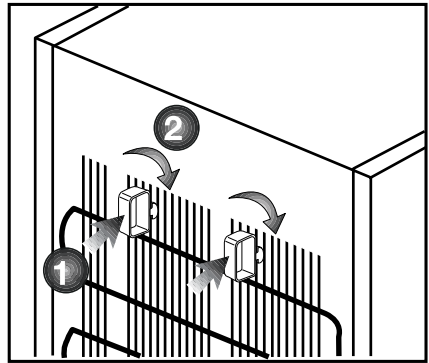
1. Votre réfrigérateur doit être débranché. Avant le transport de votre réfrigérateur, vous devez le vider et le nettoyer. Avant d'emballer votre réfrigérateur, vous devez fixer ses étagères, bac, accessoires, etc, avec du ruban adhésif afin de les protéger contre les chocs.
1. L'emballage doit être solidement attaché avec du ruban adhésif épais ou avec un cordage solide. La réglementation en matière de transport et de marquage de l'emballage doit être strictement respectée.
2. L'emballage et les matériaux de protection d'emballage doivent être conservés pour les éventuels transports ou déplacements à venir.

#### **Avant de mettre votre réfrigérateur en marche**

Vérifiez les points suivants avant de commencer à utiliser votre réfrigérateur

1. Fixez les câles en plastique tel qu'indiqué sur le schéma ci-dessous. Les câles en plastique servent à maintenir une distance permettant la circulation de l'air entre le réfrigérateur et le mur. (Cette image n'est donnée qu'à titre indicatif ; elle n'est pas identique à votre produit.)

2. Vous pouvez installer les 2 cales en plastique comme illustré dans le schéma. Les cales en plastique maintiendront la distance nécessaire entre votre Congélateur / réfrigérateur et le mur pour permettre une bonne circulation de l'air. (Le schéma présenté est fourni à titre indicatif et peut ne pas correspondre exactement avec votre produit.)



3. Nettoyez l'intérieur du réfrigérateur tel qu'indiqué dans la section « Entretien et nettoyage ».
4. Insérez la prise du réfrigérateur dans la prise murale. Lorsque la porte du réfrigérateur est ouverte, la lampe interne du réfrigérateur s'éclaire.



5. Lorsque le compresseur commence à fonctionner, il émettra un son. Le liquide et les gaz intégrés au système du réfrigérateur peuvent également faire du bruit, que le compresseur soit en marche ou non. Ceci est tout à fait normal.
6. Les parties antérieures du réfrigérateur peuvent chauffer. Ce phénomène est normal. Ces zones doivent en principe être chaudes pour éviter tout risque de condensation.

### **Branchement électrique**

Branchez votre réfrigérateur à une prise électrique protégée par un fusible ayant une capacité appropriée.

Important :

- Le branchement doit être conforme aux normes en vigueur sur le territoire national.
- La fiche du câble d'alimentation doit être facilement accessible après installation.
- La sécurité électrique du réfrigérateur n'est assurée que si le système de mise à la terre de votre domicile est conforme aux normes en vigueur.
- La tension indiquée sur l'étiquette située sur la paroi gauche interne de votre produit doit correspondre à celle fournie par votre réseau électrique.
- **Les rallonges et prises multivoies ne doivent pas être utilisés pour brancher l'appareil.**

### **AVERTISSEMENT:**

Un câble d'alimentation endommagé doit être remplacé par un électricien qualifié.

### **AVERTISSEMENT:**

L'appareil ne doit pas être mis en service avant d'être réparé ! Cette précaution permet d'éviter tout risque de choc électrique!

### **Mise au rebut de l'emballage**

Les matériaux d'emballage peuvent être dangereux pour les enfants. Tenez les matériaux d'emballage hors de portée des enfants ou jetez-les conformément aux consignes établies par les autorités locales en matière de déchets. Ne les jetez pas avec les déchets domestiques, déposez-les dans les centres de collecte désignés par les autorités locales.

L'emballage de votre appareil est produit à partir de matériaux recyclables.

### **Mise au rebut de votre ancien réfrigérateur**

Débarressez-vous de votre ancien réfrigérateur sans nuire à l'environnement.

- Vous pouvez consulter le service après-vente agréé ou le centre chargé de la mise au rebut dans votre municipalité pour en savoir plus sur la mise au rebut de votre produit.

Avant de procéder à la mise au rebut de votre machine, coupez la prise électrique et, le cas échéant, tout verrouillage susceptible de se trouver sur la porte. Rendez-les inopérants afin de ne pas exposer les enfants à d'éventuels dangers.

### **Disposition et Installation**

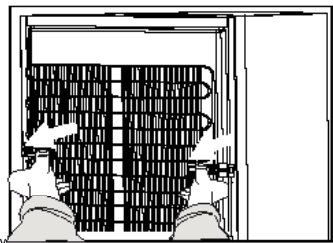
#### **AVERTISSEMENT:**

Si la porte d'entrée de la pièce où sera installé le réfrigérateur n'est pas assez large pour laisser passer le réfrigérateur, appelez le service après-vente qui retirera les portes du réfrigérateur et le fera entrer latéralement dans la pièce.

1. Installez le réfrigérateur dans un emplacement qui permette une utilisation pratique.

2. Maintenez le réfrigérateur éloigné de toutes sources de chaleur, des endroits humides et de la lumière directe du soleil.
3. Une ventilation d'air autour du réfrigérateur doit être aménagée pour obtenir un fonctionnement efficace. Si le réfrigérateur est placé dans un enfoncement du mur, il doit y avoir un espace d'au moins 5 cm avec le plafond et d'au moins 5 cm avec le mur. Ne placez pas l'appareil sur des revêtements tels qu'un tapis ou de la moquette.
4. Placez le réfrigérateur sur une surface plane afin d'éviter les à-coups.
  - Le condenseur de votre appareil est situé à l'arrière, tel que l'indique le schéma ci-dessous. Pour garantir un meilleur rendement énergétique associé à une faible consommation de l'énergie, tirez le condenseur vers vous tel qu'indique le schéma ci-dessous. La position du condenseur sera fermement fixée aux moyens du mécanisme de verrouillage des supports supérieurs situés de part et d'autres de l'appareil.

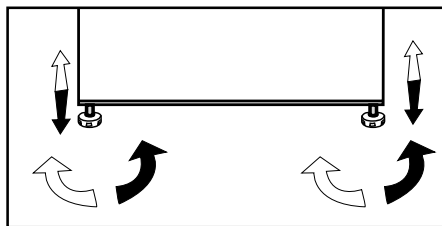
**\* EN OPTION**



## Réglage des pieds

Si le réfrigérateur n'est pas stable.

Vous pouvez équilibrer le réfrigérateur en tournant les pieds avant, tel qu'illustré sur le schéma. Le côté où se trouve le pied s'abaisse lorsque vous tournez dans le sens de la flèche noire, et s'élève lorsque vous tournez dans le sens opposé. Si vous vous faites aider par quelqu'un pour légèrement soulever le réfrigérateur, l'opération s'en trouvera simplifiée.



## Remplacement de l'ampoule

Pour remplacer la lampe LED du réfrigérateur, veuillez contacter le service après-vente agréé.

Les ampoules de cet appareil d'électroménager ne sont pas adaptées à une utilisation d'éclairage. L'utilisation recherchée de cette lampe est de permettre à l'utilisateur de placer confortablement et en sécurité les aliments dans le réfrigérateur / coffre.

Les voyants utilisés dans cet appareil doivent résister aux conditions physiques extrêmes telles que des températures inférieures à -20 °C.

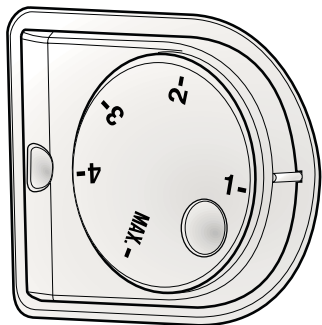
## 4 Préparation

---

- Votre réfrigérateur doit être installé à au moins 30 cm des sources de chaleur telles que les plaques de cuisson, les fours, appareils de chauffage ou cuisinières, et à au moins 5 cm des fours électriques. De même, il ne doit pas être exposé à la lumière directe du soleil.
- Veuillez vous assurer que l'intérieur de votre appareil est soigneusement nettoyé.
- Si deux réfrigérateurs sont installés côte à côte, ils doivent être séparés par au moins 2 cm de distance.
- Lorsque vous faites fonctionner le réfrigérateur pour la première fois, assurez-vous de suivre les instructions suivantes pendant les six premières heures.
- La porte ne doit pas être ouverte fréquemment.
- Le réfrigérateur doit fonctionner à vide, sans denrées à l'intérieur.
- Ne débranchez pas le réfrigérateur. Si une panne de courant se produit, veuillez vous reporter aux avertissements de la section « Solutions recommandées aux problèmes ».
- Ce produit a été conçu pour fonctionner à une température ambiante pouvant atteindre 43 °C (90 SDgrF). Même si la température ambiante descend à - 15° C, les denrées congelées du congélateur ne se décongèlent pas, grâce à son.
- Les paniers/tiroirs fournis avec le compartiment rafraîchissement doivent être utilisés de manière continue pour une consommation énergétique minimale et de meilleures conditions de conservation.
- Le contact entre le capteur de température et les denrées alimentaires à l'intérieur du compartiment de congélation peut augmenter la consommation énergétique de l'appareil. Pour cette raison, les contacts avec les capteurs doivent être évités.
- Système électronique très élaboré de contrôle de la température. Lors de sa première installation, le produit NE DOIT PAS être exposé à des températures ambiantes trop basses. La raison est que le congélateur ne peut pas fonctionner à une température inférieure à la température de fonctionnement standard. Une fois l'appareil en fonctionnement continu, il peut être déplacé. Par conséquent, vous pouvez placer l'appareil dans votre garage ou toute autre pièce non chauffée sans crainte que les aliments surgelés ne se détériorent. Cependant, il est possible que les basses températures susmentionnées puissent geler les aliments dans le compartiment réfrigérateur. Veuillez donc consommer les denrées alimentaires placées au réfrigérateur en prenant soin de contrôler leur état. Lorsque la température ambiante revient à la normale, vous pouvez modifier le réglage du bouton selon vos préférences.

- Si la température ambiante est inférieure à 0°C, les aliments du compartiment réfrigérant gèleront. Nous vous conseillons donc de ne pas utiliser le compartiment réfrigérant si la température ambiante est trop basse. Vous pouvez continuer à utiliser le compartiment congélateur comme d'habitude.
- Dans certains modèles, le tableau de bord s'éteint automatiquement 5 minutes après la fermeture de la portière. Il est réactivé à l'ouverture de la portière ou lorsqu'on appuie sur n'importe quelle touche.
- En raison des variations de température dues à l'ouverture ou à la fermeture de la porte de l'appareil en fonctionnement, il est normal que la condensation se forme sur la porte, les étagères ou les récipients en verre.

## 5 Utilisation de votre réfrigérateur



### Bouton de réglage de la température

Le bouton de réglage de température vous permet de procéder aux réglages de la température de votre congélateur/réfrigérateur.

### Réglage de la température de votre congélateur/réfrigérateur

Le réglage de la température totale de votre congélateur/réfrigérateur se fait au moyen du bouton de réglage de température qui se trouve sur le mur droit du compartiment congélateur/réfrigérateur. Ce bouton a 5 positions différentes de réglage de température. Sélectionnez la position qui vous convient.

### Système de réfrigération Dual

Votre congélateur/réfrigérateur est équipé de deux systèmes de réfrigération séparés destinés à refroidir le compartiment des aliments frais et le compartiment de congélation du congélateur/réfrigérateur. Ainsi, l'air du compartiment des produits frais et l'air du compartiment de congélation ne sont pas mélangés.

Grâce à ce système de réfrigération séparée, les vitesses de réfrigération sont beaucoup plus élevées que pour des congélateur/réfrigérateurs normaux. Par ailleurs, les odeurs des compartiments ne sont pas mélangées. Par ailleurs, une économie d'énergie supplémentaire est fournie car la décongélation automatique se fait individuellement.

### Interruption du produit

Si la position « 0 » se trouve sur votre thermostat :

- Votre appareil cessera de fonctionner lorsque vous mettrez le bouton du thermostat à la position « 0 » (zéro). Votre appareil ne démarrera pas à moins que vous mettiez le bouton du thermostat sur la position « 1 » ou sur l'une des autres positions.

Si la position « min » se trouve sur votre thermostat :

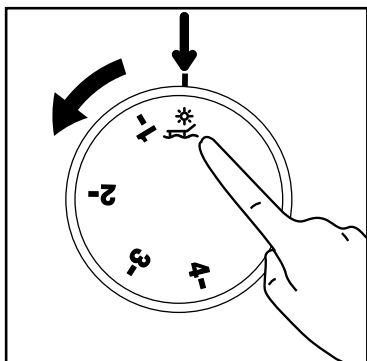
- Débranchez votre appareil pour l'arrêter.

## Fonction Vacances

Si les portes du produit ne sont pas ouvertes pendant 12 heures alors que le thermostat est sur la position la plus haute, la fonction vacances sera activée automatiquement.

Quand cette fonction est active, la température du compartiment du réfrigérateur peut ne pas être suffisante pour conserver la nourriture.

Ouvrez la porte du produit ou changez le réglage du thermostat pour annuler la fonction.



## Système de réfrigération NeoFrost :


Votre réfrigérateur est équipé de deux systèmes de réfrigération séparés destinés à refroidir le compartiment des aliments frais et le compartiment de congélation du réfrigérateur. Ainsi, l'air du compartiment des produits frais et l'air du compartiment de congélation ne sont pas mélangés. Grâce à ce système de réfrigération séparée, les vitesses de réfrigération sont beaucoup plus élevées que pour des réfrigérateurs normaux. Par ailleurs, les odeurs des compartiments ne sont pas mélangées. Par ailleurs, une économie d'énergie supplémentaire est fournie car la décongélation se fait individuellement.

## Congélation des produits frais

- Enveloppez ou couvrez vos aliments avant de les placer au réfrigérateur.
  - Laissez refroidir les aliments à la température ambiante avant de les placer au congélateur.
  - Les denrées que vous souhaitez surgeler doivent être fraîches et en bon état.
  - Il est conseillé de séparer les denrées en portions en fonction des besoins quotidiens de votre famille ou par repas.
  - Les denrées doivent être emballées hermétiquement afin d'éviter qu'elles ne s'assèchent, même si elles ne doivent être conservées qu'une courte période.
  - Les matériaux utilisés pour l'emballage doivent résister aux déchirures, au froid, à l'humidité, et doivent être imperméables aux odeurs, aux graisses et aux acides et être hermétiques. Par ailleurs, ils doivent fermer correctement et être composés de matériaux simples d'utilisation et adaptés à un usage dans un congélateur.
  - Les denrées congelées doivent être consommées immédiatement après leur décongélation et elles ne doivent jamais être recongelées.
  - Veuillez respecter les instructions suivantes afin d'obtenir les meilleurs résultats.
1. Ne congélez pas une quantité trop importante à la fois. La qualité des aliments est préservée de façon optimale lorsqu'ils sont entièrement congelés aussi rapidement que possible.

2. Le fait d'introduire des aliments chauds dans le congélateur entraîne le fonctionnement du système de refroidissement en continu jusqu'à ce que les aliments soient entièrement congelés.
3. Faites particulièrement attention à ne pas mélanger les produits déjà congelés et les produits frais.

## Recommandations concernant la conservation des aliments congelés

- Pour un compartiment des denrées congelées  (4 étoiles), les aliments préemballés et surgelés, destinés à un usage commercial, doivent être conservés conformément aux instructions du fabricant de produits congelés.
- Afin de veiller à ce que la qualité supérieure recherchée par le fabricant et le détaillant des produits congelés soit atteinte, il convient de se rappeler les points suivants :
  1. Mettre les emballages dans le congélateur aussi rapidement que possible après achat.
  2. S'assurer que le contenu est étiqueté et daté.
  3. Ne pas dépasser les dates « à consommer avant le » et « à consommer de préférence avant le » figurant sur l'emballage.

### Dégivrage

Le compartiment congélateur se dégivre automatiquement.

### Disposition des aliments

Clayettes du compartiment congélation	la viande, du poisson, des crèmes glacées, des légumes, etc.
Casier à œufs	Œufs

Clayettes du compartiment de réfrigération	Nourriture dans des casseroles, assiettes couvertes et récipients fermés
Balconnets de la porte du compartiment de réfrigération	Produits ou boissons de petite taille et sous emballage (comme du lait, des jus de fruits ou de la bière)
Bac à légumes	Fruits et légumes
Compartiment Fraîcheur	Produits délicats (fromage, beurre, salami, etc.)

## Informations concernant la congélation

Les denrées doivent être congelées le plus rapidement possible lorsqu'elles sont placées dans un réfrigérateur, afin de préserver leur qualité.

Il n'est possible de conserver des denrées sur de longues périodes qu'avec des températures inférieures ou égales à  $-18^{\circ}\text{C}$ .

Vous pouvez conserver vos aliments surgelés pendant plusieurs mois (à des températures inférieures ou égales à  $-18^{\circ}\text{C}$  dans le surgélateur).

### AVERTISSEMENT !

- Il est conseillé de séparer les denrées en portions en fonction des besoins quotidiens de votre famille ou par repas.
- Les denrées doivent être emballées hermétiquement afin d'éviter qu'elles ne s'assèchent, même si elles ne doivent être conservées qu'une courte période.
- Matériaux nécessaires à l'emballage :
- Bande adhésive résistant au froid
- Etiquette autocollante
- Élastiques en caoutchouc
- Stylo

Les matériaux utilisés pour l'emballage des denrées doivent résister aux déchirures, au froid, à l'humidité, et doivent être imperméables aux odeurs, aux graisses et aux acides.

Il faut éviter que les denrées à congeler n'entrent en contact avec des aliments déjà congelés afin d'empêcher le dégel partiel de ces aliments.

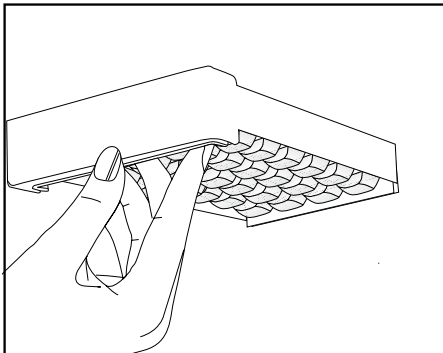
Les denrées congelées doivent être consommées immédiatement après leur décongélation et elles ne doivent jamais être recongelées.

### Fabrication de glaçons

(dans certains modèles)

Remplissez le bac à glaçons avec de l'eau et placez-le dans le compartiment du congélateur. Vos glaçons seront prêts dans environ deux heures.

Pour enlever les glaçons du bac à glaçons, sortez ce dernier du congélateur et tordez-le.



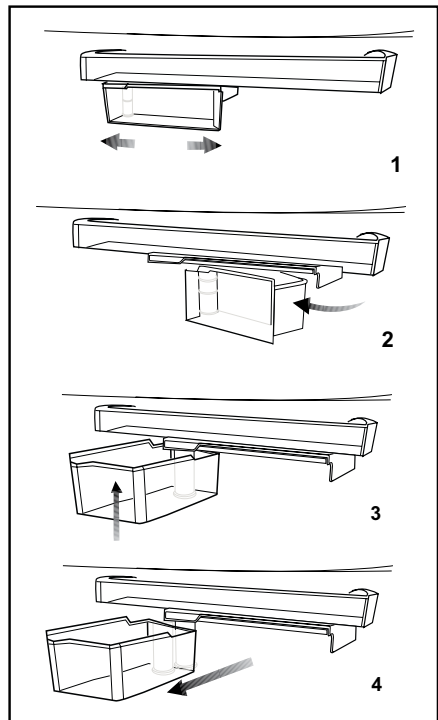
### Récipient de conservation rotatif

(pour certains modèles)

Vous pouvez faire glisser l'étagère coulissante vers la gauche ou vers la droite afin d'introduire les bouteilles de grande taille, les bocaux, ou les boîtes dans un compartiment inférieur (Fig. 1).

Vous pouvez obtenir les denrées alimentaires placées sur l'étagère en saisissant celle-ci et en la retournant à partir de son côté droit (Fig.2).

Lorsque vous voulez y mettre des aliments ou l'enlever pour le nettoyer, retournez-le dans un angle de 90 degrés, soulevez-le et tirez-le vers-vous (Fig.3-4).





## **Distributeur et récipient de conservation de glaçons (dans certains modèles)**

### **Utilisation du distributeur**

Remplissez le distributeur de glaçons avec de l'eau et remettez-le à sa place. Vos glaçons seront prêts dans environ deux heures. Ne pas retirer le distributeur de glaçons de son logement pour prendre de la glace.

Tournez les molettes des réservoirs à glaçons dans le sens des aiguilles d'une montre, de manière à former un angle de 90 degrés.

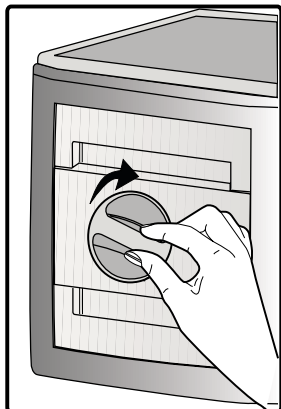
Les glaçons contenus dans les réservoirs tomberont dans le récipient de conservation de glaçons situé en dessous.

Vous pouvez alors sortir le récipient de conservation de glaçons et servir les glaçons.

Si vous le désirez, vous pouvez laisser les glaçons dans leur récipient de conservation.

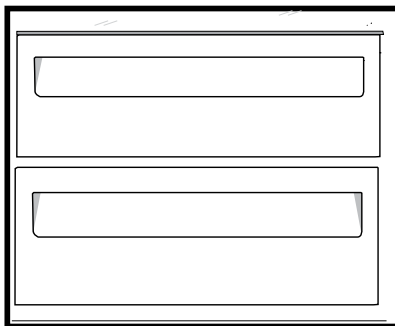
### **Récipient de conservation de glaçons**

Le récipient de conservation de glaçons sert simplement à accumuler les glaçons. Ne versez pas d'eau à l'intérieur. Cela peut le casser.



## **Compartiment 0/3°**

Le compartiment basse température est l'endroit le plus froid de votre réfrigérateur /congelateur dans lequel les produits laitiers (fromage, beurre), la viande, le poisson, ou le poulet peuvent être conservés dans des conditions idéales. Les légumes et/ou fruits ne doivent pas être introduits dans ce compartiment.



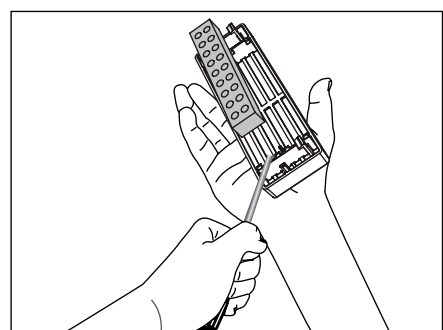
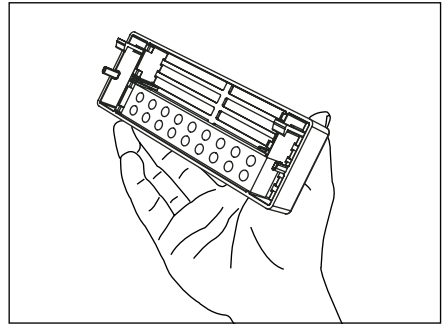
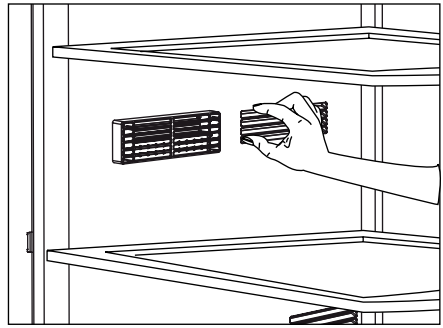
## Description et nettoyage du filtre à odeurs

### \*en option

Le filtre à odeurs empêche la formation d'odeurs désagréables dans votre réfrigérateur.

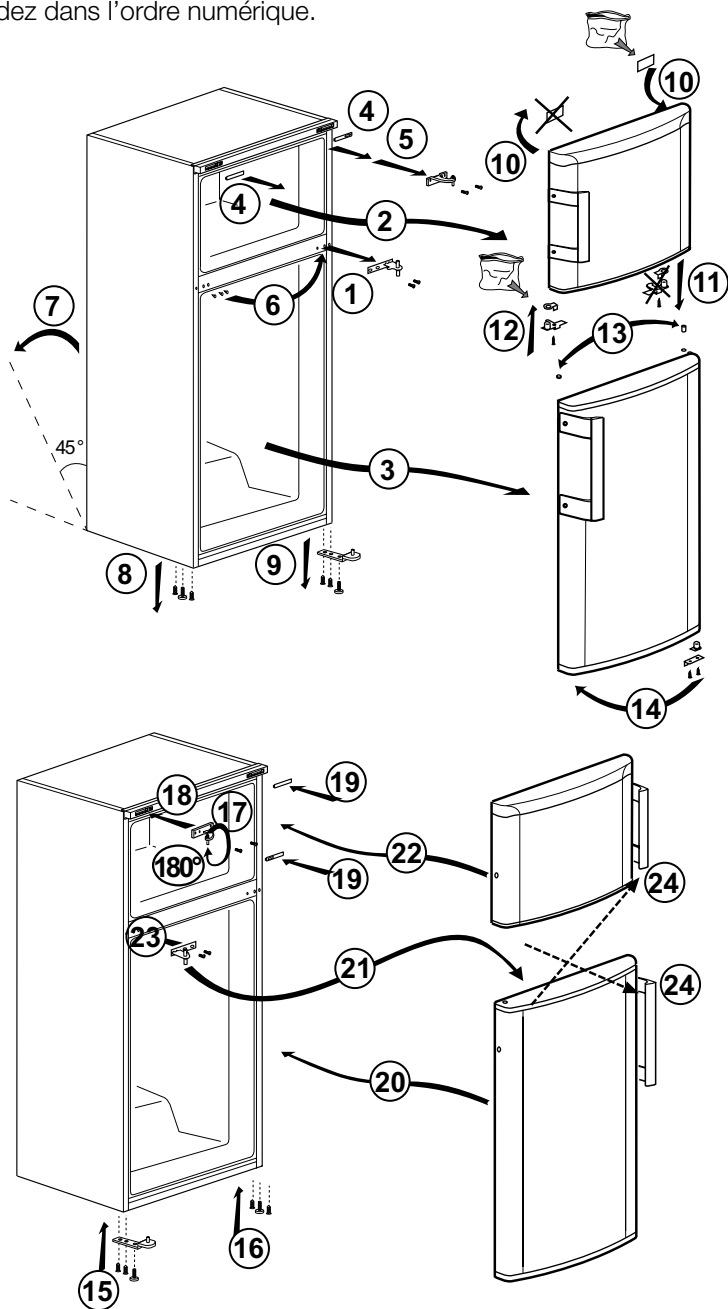
Tirez le couvercle, dans lequel le filtre à odeurs est installé, vers le bas et enlevez comme illustré sur le schéma. Exposez le filtre sous la lumière directe du soleil pendant un jour. Le filtre sera nettoyé pendant ce temps. Remettez le filtre à sa place.

Le filtre à odeurs doit être nettoyé une fois l'an.



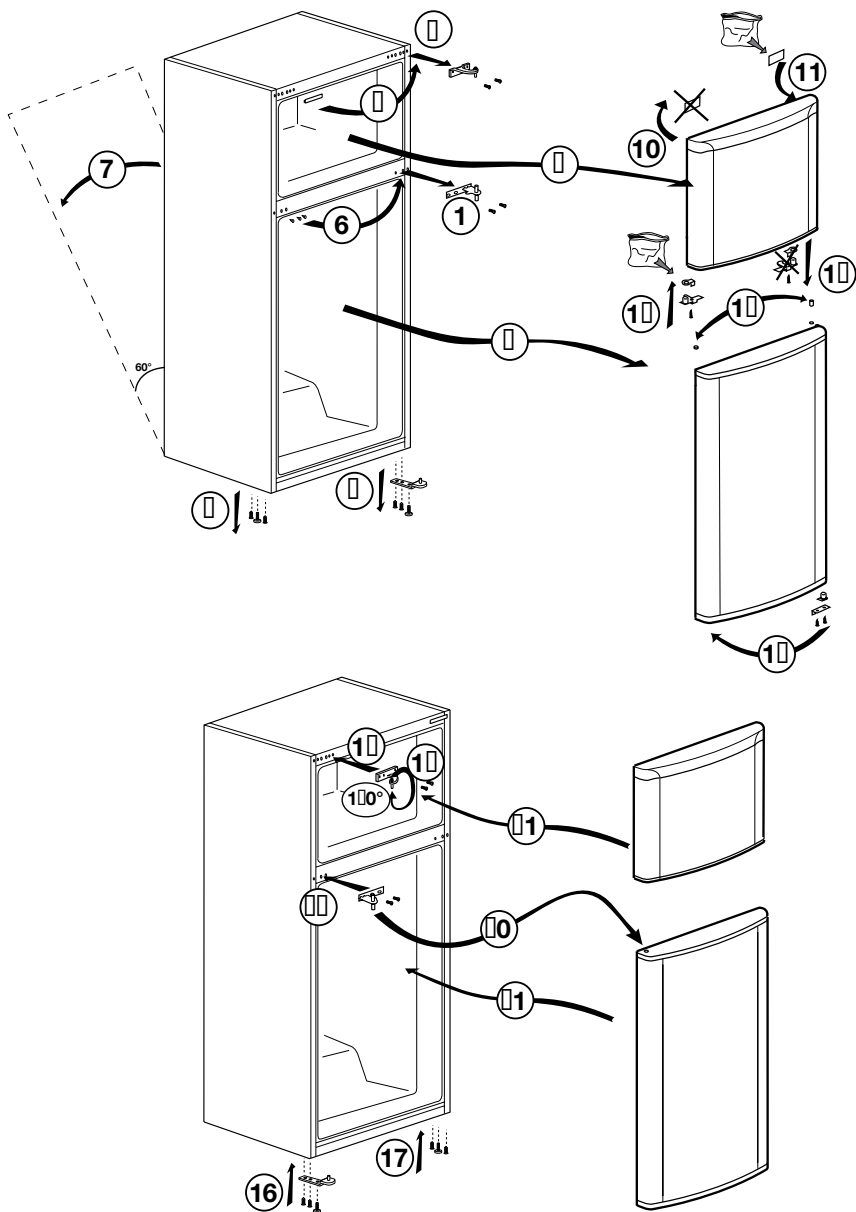
## Réversibilité des portes

Procédez dans l'ordre numérique.



## Réversibilité des portes

Procédez dans l'ordre numérique.



## 6 Entretien et nettoyage

- ⚠ N'utilisez jamais d'essence, de benzène ou de matériaux similaires pour le nettoyage.
- ⚠ Nous vous recommandons de débrancher l'appareil avant de procéder au nettoyage.
- ❗ N'utilisez jamais d'ustensiles tranchants, savon, produit de nettoyage domestique, détergent et cirage pour le nettoyage.
- ❗ Pour des appareils qui ne sont pas de la marque No Frost, des gouttes d'eau et une couche de givre pouvant atteindre la largeur d'un doigt se forment sur la paroi arrière du compartiment réfrigérateur. Ne les nettoyez pas et évitez d'y utiliser de l'huile ou des produits similaires.
- ❗ Utilisez uniquement des tissus en microfibres légèrement mouillés pour nettoyer la surface externe de l'appareil. Les éponges et autres tissus de nettoyage sont susceptibles de rayer la surface.
- ❗ Utilisez de l'eau tiède pour nettoyer la carrosserie du congélateur / réfrigérateur et séchez-la soigneusement à l'aide d'un chiffon.
- ❗ Utilisez un chiffon humide imbibé d'une solution composée d'une cuillère à café de bicarbonate de soude pour un demi litre d'eau pour nettoyer l'intérieur et séchez soigneusement.
- ⚠ Prenez soin de ne pas faire couler d'eau dans le logement de la lampe et dans d'autres éléments électriques.
- ⚠ En cas de non utilisation de votre congélateur / réfrigérateur pendant une période prolongée, débranchez le câble d'alimentation, sortez toutes les denrées, nettoyez-le et laissez la porte entrouverte.
- ❗ Inspectez les joints de porte régulièrement pour vérifier qu'ils sont propres et qu'il n'y a pas de résidus de nourriture.
- ❗ Pour retirer les balconnets de portes, sortez tout son contenu puis poussez simplement le balconnet vers le haut à partir de la base.
- ❗ Ne jamais utiliser des produits nettoyants ou de l'eau contenant du chlore pour le nettoyage des surfaces externes et des pièces chromées du produit. Le chlore entraîne la corrosion de ces surfaces métalliques.
- ❗ Évitez d'utiliser des objets tranchants ou abrasifs, du savon, des produits ménagers de nettoyage, des détergents, de l'essence, du benzène, de la cire, ect. ; autrement, les marques sur les pièces en plastique pourraient s'effacer et les pièces elles-mêmes pourraient présenter des déformations. Utilisez de l'eau tiède et un torchon doux pour nettoyer et sécher.

### Protection des surfaces en plastique.

- Ne placez pas d'huiles ou de plats huileux dans le congélateur / réfrigérateur dans des récipients non fermés, car les graisses peuvent endommager les surfaces en plastique du congélateur / réfrigérateur. Si vous versez ou éclaboussez de l'huile sur les surfaces en plastique, nettoyez et lavez les parties souillées avec de l'eau chaude immédiatement.

## 7 Solutions recommandées aux problèmes

Veillez vérifier la liste suivante avant d'appeler le service après-vente. Cela peut vous faire économiser du temps et de l'argent. Cette liste regroupe les problèmes les plus fréquents ne provenant pas d'un défaut de fabrication ou d'utilisation du matériel. Il se peut que certaines des fonctions décrites ne soient pas présentes sur votre produit.

### Le réfrigérateur ne fonctionne pas

- Le réfrigérateur est-il correctement branché ? Insérez la prise dans la prise murale.
- Est-ce que le fusible ou la douille de raccord du réfrigérateur sont connectés ou est-ce que le fusible principal a sauté ? Vérifiez le fusible.

### Condensation sur la paroi intérieure du compartiment réfrigérateur. (MULTI ZONE, COOL CONTROL et FLEXI ZONE)

- Température ambiante très basse. Ouvertures et fermetures fréquentes de la porte. Humidité ambiante très élevée. Conservation de denrées liquides dans des récipients ouverts. Porte laissée entrouverte.
- Réglez le thermostat à un niveau de froid supérieur.
- Réduisez les temps d'ouverture de la porte ou utilisez-la moins fréquemment.
- Couvrez les denrées dans des récipients ouverts à l'aide d'un matériau adapté.
- Essuyez la condensation à l'aide d'un tissu sec et vérifiez si elle persiste.

### Le compresseur ne fonctionne pas.

- Le dispositif de protection thermique du compresseur sautera en cas de coupures soudaines du courant ou de débranchement intempestif, en effet la pression du liquide réfrigérant du système de refroidissement ne sera pas équilibrée.
- Le réfrigérateur recommencera à fonctionner normalement après 6 minutes environ. Veuillez contacter le service après-vente si le réfrigérateur ne redémarre pas après cette période.
- Le réfrigérateur est en mode de dégivrage. Cela est normal pour un réfrigérateur à dégivrage semi-automatique. Le cycle de dégivrage se déclenche régulièrement.
- Le réfrigérateur n'est pas branché à la prise. Assurez-vous que la prise est branchée correctement à la prise murale.
- Les réglages de température sont-ils corrects ? Il y a une panne de courant. Veuillez contacter votre fournisseur d'électricité.

Le réfrigérateur fonctionne fréquemment ou pendant de longue périodes.

- Votre nouveau réfrigérateur est peut être plus large que l'ancien. Ceci est tout à fait normal. Les grands réfrigérateurs fonctionnent pendant une période de temps plus longue.
- La température ambiante de la salle peut être élevée. Ce phénomène est tout à fait normal.
- Le réfrigérateur pourrait y avoir été branché tout récemment ou pourrait avoir été chargé de denrées alimentaires. Le refroidissement complet du réfrigérateur peut durer quelques heures de plus.
- D'importantes quantités de denrées chaudes ont peut être été introduites dans le réfrigérateur récemment. Les denrées chaudes provoquent un fonctionnement prolongé du réfrigérateur avant d'atteindre le niveau de température de conservation raisonnable.
- Les portes ont peut être été ouvertes fréquemment ou laissées entrouvertes pendant une durée prolongée. L'air chaud qui entre dans le réfrigérateur le fait fonctionner pendant de plus longues périodes. Ouvrez les portes moins souvent.
- La porte du réfrigérateur ou du congélateur ont peut être été laissées entrouvertes. Vérifiez que les portes sont bien fermées.
- Le réfrigérateur est réglé à une température très basse. Réglez la température du réfrigérateur à un degré supérieur et attendez jusqu'à ce que la température soit bonne.
- Le joint de la porte du réfrigérateur ou du congélateur peut être sale, déchiré, rompu ou mal en place. Nettoyez ou remplacez le joint. Tout joint endommagé/déchiré fait fonctionner le réfrigérateur pendant une période de temps plus longue afin de conserver la température actuelle.

La température du congélateur est très basse alors que celle du réfrigérateur est correcte.

- La température du congélateur est réglée à une température très basse. Réglez la température du congélateur à un degré supérieur et vérifiez.

La température du réfrigérateur est très basse alors que celle du congélateur est correcte.

- La température du réfrigérateur est réglée à une température très basse. Réglez la température du réfrigérateur à un degré supérieur et vérifiez.

Les denrées conservées dans les tiroirs du compartiment de réfrigération congèlent.

- La température du réfrigérateur est réglée à une température très basse. Réglez la température du réfrigérateur à un degré supérieur et vérifiez.

La température dans le réfrigérateur ou le congélateur est très élevée.

- La température du réfrigérateur est réglée à un niveau de froid très élevé. Le réglage du réfrigérateur a un effet sur la température du congélateur. Modifiez la température du réfrigérateur ou du congélateur jusqu'à ce qu'elles atteignent un niveau correct.
- La porte est peut être restée ouverte. Refermez complètement la porte.
- D'importantes quantités de denrées chaudes ont peut être été introduites dans le réfrigérateur récemment. Attendez que le réfrigérateur ou le congélateur atteigne la bonne température.
- Le réfrigérateur y a peut être été branché récemment. Le refroidissement complet du réfrigérateur nécessite du temps à cause de sa taille.

<p>Un bruit similaire au son émis par l'aiguille des secondes d'une horloge analogique provient du réfrigérateur.</p>	<ul style="list-style-type: none"> <li>Des activateurs d'air (ventilateurs) sont utilisés pour permettre au réfrigérateur de fonctionner efficacement. Cela est normal et n'est pas un défaut.</li> </ul>
<ul style="list-style-type: none"> <li>Ce bruit provient de la valve solénoïde du réfrigérateur. La valve solénoïde fonctionne afin d'assurer le passage du réfrigérant à travers le compartiment qui peut être ajusté aux températures de refroidissement et de congélation, et dans le but d'effectuer les fonctions de refroidissement. Ce phénomène est tout à fait normal et ne constitue nullement un dysfonctionnement.</li> </ul>	<p>Condensation sur les parois intérieures du réfrigérateur.</p>
<p>Le niveau sonore augmente lorsque le réfrigérateur est en marche.</p>	<ul style="list-style-type: none"> <li>Un temps chaud et humide augmente la formation de givre et de condensation. Cela est normal et n'est pas un défaut.</li> <li>Les portes sont entrouvertes. Assurez-vous que les portes sont complètement fermées.</li> <li>Les portes ont peut être été ouvertes très fréquemment ou ont peut être été laissées ouvertes pendant une durée prolongée. Ouvrez la porte moins souvent.</li> </ul>
<ul style="list-style-type: none"> <li>Les caractéristiques de performance du réfrigérateur peuvent changer en fonction des variations de la température ambiante. Cela est normal et n'est pas un défaut.</li> </ul>	<p>De l'humidité est présente à l'extérieur ou entre les portes du réfrigérateur.</p>
<p>Vibrations ou bruits</p>	<ul style="list-style-type: none"> <li>Le temps est peut être humide. Ceci est tout à fait normal avec un temps humide. Lorsque l'humidité est faible, la condensation disparaîtra.</li> </ul>
<ul style="list-style-type: none"> <li>Le sol n'est pas plat ou n'est pas solide. Le réfrigérateur oscille lorsqu'on le bouge lentement. Assurez-vous que le sol est plat, solide et qu'il peut supporter le réfrigérateur.</li> <li>Les bruits peuvent être produits par les objets placés sur le réfrigérateur. De tels objets doivent être enlevés du dessus du réfrigérateur.</li> </ul>	<p>Présence d'une mauvaise odeur dans le réfrigérateur.</p>
<p>Le réfrigérateur produit des bruits semblables à de l'eau qui coule ou à la pulvérisation d'un liquide.</p>	<ul style="list-style-type: none"> <li>L'intérieur du réfrigérateur doit être nettoyé. Nettoyez l'intérieur du réfrigérateur avec une éponge, de l'eau ou de l'eau gazeuse chaude.</li> <li>Certains récipients ou matériaux d'emballage peuvent provoquer ces odeurs. Utilisez un autre récipient ou changez de marque de matériau d'emballage.</li> </ul>
<ul style="list-style-type: none"> <li>Des écoulements de gaz et de liquides se produisent dans le réfrigérateur, de par ses principes de fonctionnement. Cela est normal et n'est pas un défaut.</li> </ul>	<p>La (les) porte(s) ne se ferme(nt) pas.</p>
<p>Le réfrigérateur produit des bruits semblables à du vent.</p>	



- Des récipients peuvent empêcher la fermeture de la porte. Remplacez les emballages qui obstruent la porte.
- Le réfrigérateur n'est probablement pas complètement vertical et il peut balancer lorsqu'on le bouge légèrement. Réglez les vis de levage.
- Le sol n'est pas plat ou solide. Assurez-vous que le sol est plat et qu'il peut supporter le réfrigérateur.

Les bacs à légumes sont coincés.

- Il se peut que les denrées touchent le plafond du tiroir. Disposez à nouveau les denrées dans le tiroir.

## **Leggere innanzitutto il manuale di istruzioni.**

Gentile Cliente,

ci auguriamo che l'articolo da Lei scelto, prodotto in moderni stabilimenti e sottoposto ai più severi controlli di qualità, risponda interamente alle Sue esigenze.

A tal fine, La invitiamo a leggere attentamente il manuale di istruzioni del prodotto prima di procedere al suo utilizzo e di conservarlo per eventuali consultazioni future.

### **Il presente manuale**

- Aiuterà l'utente ad utilizzare l'apparecchio in modo rapido e sicuro.
- Leggere le istruzioni per l'uso prima di installare e utilizzare il prodotto.
- Seguire attentamente le istruzioni, in particolare quelle inerenti alla sicurezza.
- Conservare il presente manuale in un luogo facilmente accessibile per eventuali future consultazioni.
- Leggere inoltre gli altri documenti forniti assieme al prodotto.
- Il presente manuale può essere valido anche per altri modelli.

### **Simboli e loro descrizione**

Il manuale di istruzioni contiene i seguenti simboli:

 Informazioni importanti o consigli utili di utilizzo.

 Segnale di avvertimento in caso di situazioni pericolose per la persona o i beni.

 Segnale di avvertimento in caso di problemi con il voltaggio.

## INDICE

### **1 Il frigorifero** **3**

### **2 Importanti avvertenze per la sicurezza** **4**

Uso previsto .....	4
Sicurezza generale .....	4
Sicurezza bambini .....	7
Conformità alla direttiva WEEE e allo smaltimento dei rifiuti: .....	8
Conformità alla Direttiva RoHS:.....	8
Informazioni sulla confezione .....	8
Avvertenza HC.....	8
Cose da fare per risparmiare energia .	8
Consigli per lo scomparto alimenti freschi .....	9

### **3 Installazione** **10**

Punti a cui prestare attenzione quando si sposta il frigorifero .....	10
Prima di avviare il frigorifero, .....	10
Collegamenti elettrici.....	10
Smaltimento del materiale di imballaggio .....	11
Smaltimento del vecchio frigorifero ..	11
Posizionamento e installazione .....	11
Regolazione dei piedini .....	12
Cambiare la lampadina di illuminazione .....	12

### **4 Preparazione** **13**

### **5 Utilizzo del frigorifero** **14**

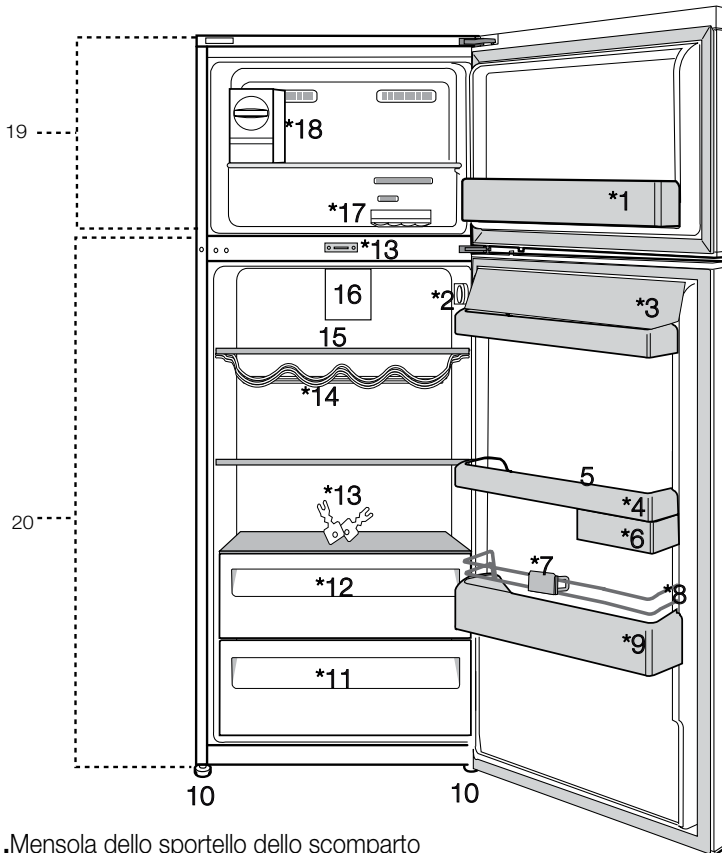
Tasti di impostazione della temperatura.....	14
Impostazione della temperatura del frigorifero .....	14
Sistema dual cooling .....	14
Funzione assenza.....	14
Congelamento di alimenti freschi .....	15
Consigli per la conservazione di alimenti congelati .....	15
Posizionamento alimenti .....	15
Arresto del prodotto .....	16
Informazioni di congelamento profondo .....	16
Preparazione ghiaccio .....	17
Scomparto temperatura zero.....	17
Contenitore girevole per la conservazione .....	18
Icematic e contenitore per conservare il ghiaccio.....	18
Descrizione e pulizia del filtro odori: .	19
Inversione dello sportello .....	20
Inversione dello sportello .....	21

### **6 Manutenzione e pulizia** **22**

Protezione delle superfici di plastica	22
--	----

### **7 Ricerca e risoluzione dei problemi** **23**

# 1 Il frigorifero



1. Mensola dello sportello dello scomparto freezer

2. Pulsante di impostazione della temperatura

3. Sezioni burro e formaggio

4. Ripiano dello sportello dello scomparto frigo

5. Porta uova

6. Contenitore girevole per la conservazione

7. Porta bottiglie

8. Griglia di protezione

9. Ripiano bottiglie

10. Piedini regolabili

11. Scomparto frutta e verdura

12. Scomparto Chiller

13. Chiave

14. Mensola vino

15. Mensole in vetro dello scomparto frigo

16. Ventilatore

17. Contenitore del ghiaccio

18. Icematic

19. Scomparto freezer

20. Scomparto frigo

**\*opzionale**

**i** Le illustrazioni contenute in questa guida sono schematiche e potrebbero non corrispondere esattamente al prodotto in uso. Se le parti in oggetto non sono incluse nel prodotto acquistato, significa che sono da intendersi per altri modelli.

## 2 Importanti avvertenze per la sicurezza

Prendere in esame le seguenti informazioni. La mancata osservanza di queste informazioni può provocare lesioni o danni materiali. Quindi tutte le garanzie e gli impegni sull'affidabilità diventerebbero privi di validità.

I pezzi di ricambio originali verranno forniti per 10 anni, successivamente alla data di acquisto del prodotto.

### Uso previsto

⚠	<b>AVVERTENZA:</b> Assicurarsi che i fori di ventilazione non sono chiusi quando il dispositivo è nella sua custodia o quando lo si inserisce nel suo alloggiamento.
⚠	<b>AVVERTENZA:</b> Non utilizzare alcun dispositivo meccanico o altri dispositivi per accelerare il processo di sbrinamento e seguire solo i consigli del fabbricante.
⚠	<b>AVVERTENZA:</b> Non danneggiare il circuito del liquido refrigerante.
⚠	<b>AVVERTENZA:</b> Non utilizzare apparecchi elettrici non consigliati dal fabbricante all'interno dei vani per la conservazione degli alimenti.

⚠	<b>AVVERTENZA:</b> Non conservare sostanze esplosive come aerosol con gas propellenti infiammabili nell'apparecchio.
---	---

Questo apparecchio è stato progettato per applicazioni domestiche e per la seguenti applicazioni similari:

- Per essere utilizzato nelle cucine del personale di negozi, uffici e altri luoghi di lavoro;
- Per essere utilizzato dai clienti negli alberghi e nelle case di campagna, motel e altri luoghi di alloggio;
- in ambienti tipo pensioni
- in luoghi simili che non offrano servizi di ristorazione e non siano di vendita al dettaglio.

### Sicurezza generale

- Quando si vuole smaltire/eliminare l'apparecchio, è consigliabile consultare il servizio autorizzato per apprendere le informazioni necessarie e conoscere gli enti autorizzati.
- Consultare il servizio di manutenzione autorizzato per tutti i problemi relativi al frigorifero. Non intervenire o far intervenire sul frigorifero senza informare il servizio manutenzione autorizzato.
- Per apparecchi dotati di scomparto freezer; non mangiare con gelato o cubetti di ghiaccio o gelati appena estratti dal freezer! (Ciò

potrebbe causare sintomi di congelamento in bocca).

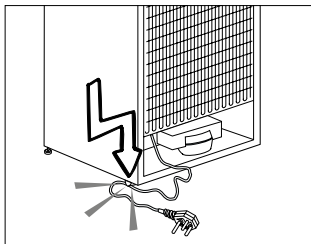
- Per apparecchi dotati di scomparto freezer; non mettere bottiglie e lattine di bibite liquide nello scomparto del freezer altrimenti potrebbero esplodere.
- Non toccare con le mani gli alimenti gelati; possono incollarsi ad esse.
- Scollegare il frigorifero prima della pulizia o dello sbrinamento.
- Il vapore e i materiali per la pulizia vaporizzati non devono mai essere usati per pulire e scongelare il frigorifero. In queste situazioni, il vapore può entrare in contatto con le parti elettriche e provocare corto circuito o scossa elettrica.
- Non usare mai parti del frigorifero come lo sportello come mezzo di supporto o movimento.
- Non utilizzare dispositivi elettrici all'interno del frigorifero.
- Non danneggiare le parti, in cui circola il refrigerante, con utensili perforanti o taglienti. Il refrigerante può scoppiare quando i canali del gas dell'evaporatore, le estensioni dei tubi o le pellicole superficiali vengono punti e provocano irritazioni alla pelle e lesioni agli occhi.
- Non bloccare o coprire la ventilazione dell'elettrodomestico.
- I dispositivi elettrici devono essere riparati solo da persone autorizzate. Le riparazioni eseguite da personale non competente provocano danni all'utilizzatore.
- In caso di guasto o durante lavori di riparazione e manutenzione, scollegare la fornitura d'energia principale spegnendo il fusibile principale o scollegando la presa dell'apparecchio.
- Non tirare dal cavo quando si estrae la spina.
- Assicurarsi che le bevande alcoliche siano conservate in modo sicuro con il coperchio chiuso e posizionate in verticale.
- Non conservare mai nel frigorifero contenitori spray che contengano sostanze infiammabili ed esplosive.
- Non utilizzare apparecchiature meccaniche o altri mezzi diversi da quelli consigliati dal produttore per accelerare il processo di sbrinamento.
- Questo apparecchio non deve essere usato da persone con disturbi fisici, sensoriali o mentali o persone non preparate o senza esperienza (compresi bambini) a meno che non ricevano la supervisione da parte di una persona responsabile della loro sicurezza che li instruirà sull'uso corretto dell'apparecchio.
- Non utilizzare frigoriferi danneggiati. Consultare l'agente per l'assistenza in caso di dubbi.
- La sicurezza elettrica del frigorifero è garantita unicamente se il

sistema di messa a terra dell'apparecchiatura è conforme agli standard.

- L'esposizione dell'apparecchio a pioggia, neve, sole e vento è pericolosa per la sicurezza elettrica.
- Contattare l'assistenza autorizzata quando ci sono danni ai cavi in modo da evitare pericoli.
- Non collegare mai il frigorifero alla presa a muro durante l'installazione, per evitare il rischio di morte o lesioni gravi.
- Questo frigorifero è destinato solo alla conservazione di alimenti. Non deve essere usato per altri scopi.
- L'etichetta con le specifiche tecniche si trova sulla parete sinistra nella parte interna del frigorifero.
- Non collegare mai il frigorifero a sistemi di risparmio energetico; potrebbero danneggiare il frigorifero.
- Se c'è una luce blu sul frigorifero, non guardarla a lungo a occhio nudo o con strumenti ottici.
- Per i frigoriferi con controllo manuale, attendere almeno 5 minuti per avviare il frigorifero dopo un'assenza di elettricità.
- Questo manuale operativo deve essere dato al nuovo proprietario dell'apparecchio quando il prodotto stesso viene dato ad altri.
- Evitare di provocare danni al cavo di alimentazione quando si trasporta il frigorifero. Piegare

il cavo può provocare un incendio. Non mettere mai oggetti pesanti sul cavo di alimentazione.

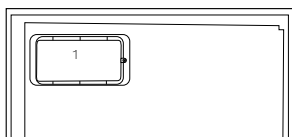
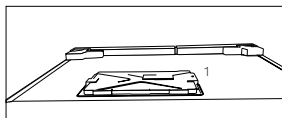
- Non toccare la spina con le mani bagnate quando si collega l'apparecchio alla rete elettrica.



- Non collegare il frigorifero alla rete se la presa elettrica è allentata.
- Non deve essere spruzzata acqua sulle parti interne o esterne dell'apparecchio per motivi di sicurezza.
- Non spruzzare sostanze contenenti gas infiammabili come gas propano vicino al frigorifero per evitare rischio di incendio ed esplosione.
- Non mettere mai contenitori pieni di acqua sopra al frigorifero; in caso di schizzi, questo potrebbe provocare shock elettrico o incendio.
- Non sovraccaricare il frigorifero di alimenti. In caso di sovraccarico, gli alimenti potrebbero cadere provocando lesioni alla persona e danni al frigorifero quando si apre lo sportello.
- Non mettere mai oggetti sopra al frigorifero; altrimenti questi

oggetti potrebbero cadere quando si apre o si chiude lo sportello del frigorifero.

- Poiché necessitano di un controllo preciso della temperatura, vaccini, medicine sensibili al calore e materiali scientifici non devono essere conservati nel frigorifero.
- Se non sarà usato per un lungo periodo, il frigorifero deve essere scollegato. Un problema possibile nel cavo di alimentazione può provocare un incendio.
- Il frigorifero potrebbe spostarsi se i piedini regolabili non sono assicurati correttamente al pavimento. Assicurare correttamente i piedini al pavimento può evitare che il frigorifero si sposti.
- Quando si trasporta il frigorifero, non tenerlo dalla maniglia dello sportello. Altrimenti si stacca.
- Quando è necessari posizionare l'apparecchio vicino ad un altro frigorifero o freezer, la distanza tra i dispositivi deve essere di almeno 8 cm. Altrimenti le pareti laterali vicine potrebbero produrre condensa.
- Non usare mai il prodotto se la sezione che si trova sulla parte superiore o posteriore del prodotto, con le schede dei circuiti elettronici stampati all'interno, è aperta (copri schede dei circuiti elettronici stampati) (1).



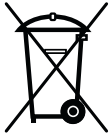
### **Sicurezza bambini**

- La pressione per l'ingresso dell'acqua fredda dovrebbe essere al massimo 90 psi (620 kPa). Qualora la pressione dell'acqua superi il valore 80 psi (550 kPa), usare una valvola di limitazione della pressione nel sistema principale. Qualora non si sappia come verificare la pressione dell'acqua, chiedere aiuto a un idraulico professionista.
- In caso di rischio dell'effetto "martello acqua" nel proprio impianto, usare sempre una strumentazione per evitare l'effetto "martello d'acqua" nel proprio impianto. Rivolgersi a idraulici professionisti in caso di dubbio relativamente alla presenza o meno dell'effetto "martello d'acqua" nel proprio impianto.
- Non installare l'ingresso dell'acqua calda. Prendere precauzioni contro il rischio di congelamento dei tubi. La gamma di funzionamento della temperatura dell'acqua dovrebbe essere 33°F (0.6°C) come minimo e 100°F (38°C) al massimo.



- I bambini devono ricevere supervisione per evitare che interferiscano con l'apparecchio.

### **Conformità alla direttiva WEEE e allo smaltimento dei rifiuti:**



Questo apparecchio è conforme alla Direttiva UE WEEE (2012/19/EU).

Questo apparecchio riporta il simbolo di classificazione per i rifiuti delle apparecchiature elettriche ed elettroniche (WEEE).

Questo apparecchio è stato realizzato con parti e materiali di alta qualità che possono essere riutilizzati e sono adatti ad essere riciclati. Non smaltire i rifiuti dell'apparecchio con i normali rifiuti domestici e gli altri rifiuti alla fine della vita di servizio. Portarlo al centro di raccolta per il riciclaggio di apparecchiature elettriche ed elettroniche. Consultare le autorità locali per conoscere la collocazione di questi centri di raccolta.

### **Conformità alla Direttiva RoHS:**

L'apparecchio acquistato è conforme alla Direttiva UE RoHS (2011/65/EU). Non contiene materiali pericolosi o proibiti specificati nella Direttiva.

### **Informazioni sulla confezione**

I materiali di imballaggio del prodotto sono realizzati con materiali riciclabili secondo i nostri regolamenti nazionali sull'ambiente. Non smaltire i materiali di imballaggio con i rifiuti domestici o altri rifiuti. Portarli ai punti di raccolta dedicati ai materiali di imballaggio, previsti dalle autorità locali.

### **Cose da non dimenticare...**

Tutte le sostanze riciclate sono elementi indispensabili per la natura e la nostra ricchezza nazionale.

Se si desidera contribuire alla rivalutazione dei materiali di imballaggio, è possibile consultare le organizzazioni ambientaliste o le autorità del comune in cui si vive.

### **Avvertenza HC**

#### **Se il sistema di raffreddamento dell'apparecchio contiene R600a:**

Questo gas è infiammabile. Pertanto, fare attenzione a non danneggiare il sistema di raffreddamento e le tubazioni durante l'uso e il trasporto. In caso di danni, tenere l'apparecchio lontano da potenziali fonti di incendio che possono provocarne l'incendio e ventilare la stanza in cui si trova l'unità.

#### **Ignorare questa avvertenza se il sistema di raffreddamento dell'apparecchio contiene R134a.**

Il tipo di gas usato nell'apparecchio è descritto nell'etichetta con il tipo sulla parete sinistra nella parte interna del frigorifero.

Non gettare mai l'apparecchio nel fuoco per lo smaltimento.

### **Cose da fare per risparmiare energia**

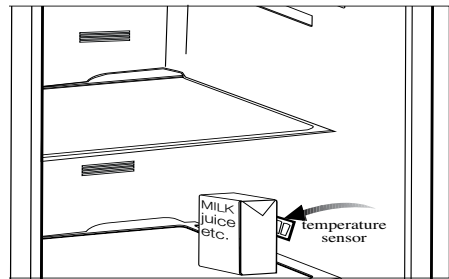
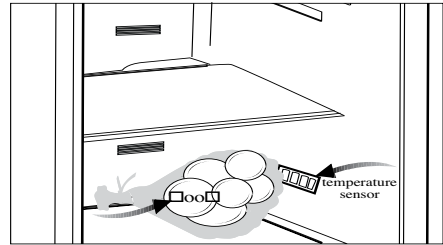
- Non lasciare lo sportello del frigorifero aperto per lungo tempo.
- Non inserire alimenti caldi o bevande calde nell'elettrodomestico.
- Non sovraccaricare il frigorifero impedendo la circolazione dell'aria al suo interno.

- Non installare il frigorifero sotto la luce diretta del sole o nelle vicinanze di forni, lavastoviglie o radiatori. Tenere il frigorifero ad almeno 30 cm dalle fonti che emettono calore e ad almeno 5 cm dai forni elettrici.
- Porre attenzione nel conservare gli alimenti in contenitori chiusi.
- Per apparecchi dotati di scomparto freezer; è possibile conservare la quantità massima di alimenti nel freezer quando si rimuove il ripiano o il cassetto del freezer. Il valore di consumo energetico dichiarato per il frigorifero è stato determinato rimuovendo il ripiano del freezer o il cassetto e in condizione di carico massimo. Non c'è pericolo nell'usare un ripiano o un cassetto secondo le forme e le dimensioni degli alimenti da congelare.
- Scongelare alimenti congelati nello scomparto frigo garantisce risparmio energetico e conserva la qualità degli alimenti.

## Consigli per lo scomparto alimenti freschi

### \*FACOLTATIVO

- Non lasciare che gli alimenti entrino in contatto con il sensore della temperatura nello scomparto alimenti freschi. Per mantenere lo scomparto degli alimenti freschi alla temperatura ideale di conservazione, il sensore non deve essere bloccato dagli alimenti.
- Non mettere cibo caldo nell'elettrodomestico.



### 3 Installazione

⚠ Se le informazioni date in questo manuale utente non sono prese in considerazione, il produttore non accetta alcuna responsabilità per questo.

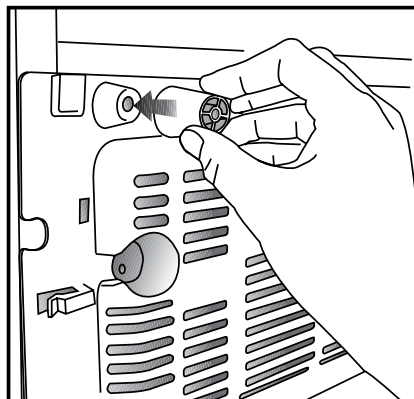
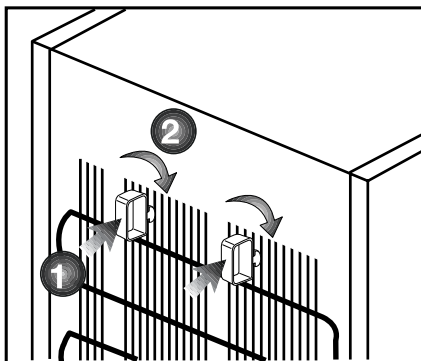
#### **Punti a cui prestare attenzione quando si sposta il frigorifero**

1. Il frigorifero deve essere scollegato. Prima del trasporto, il frigorifero deve essere svuotato e pulito.
2. Prima di imballarlo di nuovo, ripiani, accessori, scomparto frutta e verdura, ecc. all'interno del frigorifero devono essere fissati con nastro adesivo e assicurati contro i colpi. L'imballaggio deve essere eseguito con un nastro doppio o cavi sicuri e bisogna osservare rigorosamente le norme per il trasporto presenti sulla confezione.
3. Conservare i materiali originali di imballaggio per futuri trasporti o spostamenti.

#### **Prima di avviare il frigorifero,**

Controllare quanto segue prima di utilizzare il frigorifero:

1. Montare i 2 cunei in plastica come illustrato sotto. I cunei in plastica servono a mantenere la distanza che assicura la circolazione dell'aria tra frigorifero e parete. (L'immagine è creata per illustrare e non è identica all'apparecchio).
2. Pulire la parte interna del frigorifero come consigliato nella sezione "Manutenzione e pulizia".
3. Collegare la spina del frigorifero alla presa elettrica. Quando lo sportello del frigorifero è aperto, la lampadina interna si accende.



4. Quando il compressore comincia a funzionare, si sente un rumore. I liquidi e i gas sigillati nel sistema refrigerante possono produrre dei rumori, anche se il compressore non è in funzione; questo è abbastanza normale.
5. I bordi anteriori del frigorifero possono essere tiepidi. Questo è normale. Queste zone sono progettate per essere tiepide per evitare la condensazione.

#### **Collegamenti elettrici**

Collegare il frigorifero ad una presa di messa a terra protetta da un fusibile della capacità appropriata.

Importante:

- Il collegamento deve essere conforme ai regolamenti nazionali.
- La spina elettrica deve essere facilmente accessibile dopo l'installazione.
- La sicurezza elettrica del frigorifero è garantita unicamente se il sistema di messa a terra dell'apparecchiatura è conforme agli standard.
- La tensione dichiarata sull'etichetta che si trova nel lato interno a sinistra dell'apparecchio deve essere pari alla tensione di rete.
- Le prolunghe e le prese multiple non devono essere usate per il collegamento.

⚠ Un cavo di alimentazione danneggiato deve essere sostituito da un elettricista qualificato.

⚠ L'apparecchio non deve essere usato finché non viene riparato! C'è rischio di shock elettrico!

## Smaltimento del materiale di imballaggio

I materiali di imballaggio potrebbero essere dannosi per i bambini. Tenere i materiali di imballaggio fuori dalla portata dei bambini o smaltirli classificandoli secondo le istruzioni sui rifiuti comunicate dalle autorità locali. Non smaltire assieme ai normali rifiuti domestici, smaltire nei punti di raccolta appositi indicati dalle autorità locali. L'imballaggio del frigorifero è prodotto con materiali riciclabili.

## Smaltimento del vecchio frigorifero

Smaltire il vecchio frigorifero senza danni per l'ambiente.

- Bisogna consultare il rivenditore autorizzato o il centro di raccolta rifiuti della propria città per quanto riguarda lo smaltimento del frigorifero.

Prima di smaltire il frigorifero, tagliare la spina elettrica e, se ci sono blocchi allo sportello, renderli inutilizzabili per proteggere i bambini da eventuali pericoli.

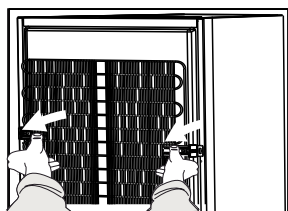
## Posizionamento e installazione

⚠ Nel caso in cui la porta di ingresso della stanza in cui il frigorifero deve essere posizionato non è abbastanza grande per il passaggio del frigorifero, chiamare il servizio autorizzato per rimuovere le porte del frigorifero e per farlo passare attraverso la porta.

1. Installare il frigorifero in un luogo che ne permetta il facile utilizzo.
2. Tenere il frigorifero lontano da fonti di calore, luoghi umidi e luce diretta del sole.
3. Intorno al frigorifero deve esserci ventilazione appropriata per poter avere operatività efficiente. Se il frigorifero deve essere posizionato in un recesso della parete, è necessario porlo ad almeno 5 cm di distanza dal soffitto e a 5 cm dalla parete. Non posizionare l'apparecchio su materiali come tappetini o tappeti.
4. Posizionare l'elettrodomestico solo su superfici uniformi e piane per evitare dondoli.

- Il condensatore dell'apparecchio si trova sul retro, come mostrato sotto. Per ottenere una migliore efficienza energetica con un minore consumo energetico, tirare il condensatore verso di sé, come mostrato nell'immagine sotto. La posizione del condensatore sarà fissata in modo fermo solo mediante il meccanismo di blocco dei supporti superiori su ciascun lato.

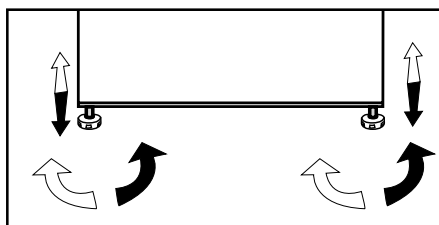
**\* OPZIONALE**



v

## Regolazione dei piedini

Se il frigorifero non è in equilibrio: è possibile bilanciare il frigorifero ruotando i piedini anteriori come illustrato in figura. L'angolo in cui i piedini sono più bassi quando girati in direzione della freccia nera e rialzati quando girati in direzione opposta. Un aiuto per sollevare leggermente il frigorifero faciliterà tale processo.



## Cambiare la lampadina di illuminazione

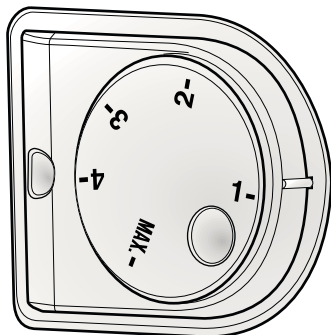
Per cambiare lampadina/LED utilizzati per illuminare il frigorifero, rivolgersi al Servizio Assistenza Autorizzato.

La lampada (le lampade) usata (usate) nell'apparecchiatura non è (sono) adatta (adatte) per l'illuminazione domestica. L'obiettivo previsto per questa lampada è quello di assistere l'utente in fase di posizionamento degli alimenti all'interno del frigorifero / congelatore in modo sicuro e comodo. Le lampadine utilizzate in questo apparecchio devono sopportare condizioni fisiche estreme come temperature inferiori a -20 °C.

## 4 Preparazione

- Il frigorifero dovrà essere installato ad almeno 30 cm lontano da fonti di calore, come forni, riscaldamento centrale e stufe, e ad almeno 5 cm da forni elettrici e non deve essere esposto alla luce diretta del sole
- Assicurarci che l'interno del frigorifero sia ben pulito.
- In caso di installazione di due frigoriferi l'uno accanto all'altro, devono esservi almeno 2 cm di distanza tra di loro.
- Quando il frigorifero viene messo in funzione per la prima volta, osservare le seguenti istruzioni per le prime sei ore.
- Lo sportello non deve essere aperto frequentemente.
- Deve funzionare vuoto senza riporvi alimenti all'interno.
- Non staccare il frigo dalla presa elettrica. Se si verifica un calo di potenza al di là del controllo dell'utente, vedere le avvertenze nella sezione "Soluzioni consigliate per i problemi".
- Questo elettrodomestico è stato concepito per funzionare a temperature ambiente fino a 43 °C (90 F). Anche se la temperatura ambiente scende fino a -15 °C, gli alimenti congelati nel freezer non si scongelano grazie al sistema per il controllo della temperatura Advanced Electronic Temperature Control System [AETCS]. Per la prima installazione, l'apparecchio NON deve essere sottoposto a temperature ambiente basse. Questo perché il freezer non può funzionare al di sotto della temperatura di funzionamento standard. Quando si raggiunge il funzionamento continuo, l'apparecchio può essere spostato altrove. Quindi in seguito è possibile posizionare l'apparecchio nel garage o in un ambiente non riscaldato senza preoccuparsi che gli alimenti congelati si rovinino. Comunque è probabile che le suddette temperature basse possano provocare il congelamento degli alimenti nello scomparto frigo; pertanto, consumare gli alimenti nel frigo in modo controllato, come necessario. Quando la temperatura ambiente torna normale, si può modificare l'impostazione del pulsante secondo le esigenze personali.
- Se la temperatura ambiente è al di sotto di 0°C, gli alimenti nello scomparto frigo si congelano. Pertanto consigliamo di non usare lo scomparto frigo con temperature ambiente così basse. Si può continuare ad usare lo scomparto freezer come al solito.
- In alcuni modelli, il pannello si spegne automaticamente 5 minuti dopo che la porta è stata chiusa. Si riattiva automaticamente quando la porta viene aperta o premendo qualsiasi pulsante.
- A causa del cambiamento di temperatura dovuto all'apertura/ alla chiusura dello sportello dell'apparecchio durante il funzionamento, la formazione di condensa su sportello/ripiani e sui contenitori di vetro è normale.

## 5 Utilizzo del frigorifero



### Tasti di impostazione della temperatura

Il tasto di impostazione della temperatura consente di impostare la temperatura del frigorifero.

### Impostazione della temperatura del frigorifero

L'impostazione complessiva della temperatura del frigorifero si esegue usando il tasto di impostazione della temperatura sulla parete destra del comparto frigo. Il tasto ha 5 diverse posizioni di impostazione della temperatura. Selezionare quella più adatta alle proprie esigenze.

### Sistema dual cooling

Il frigorifero è dotato di due sistemi di raffreddamento separati per raffreddare il comparto cibi freschi e il comparto freezer. In questo modo, l'aria nello scomparto cibi freschi e quella dello scomparto freezer non si mescolano. Grazie a questi due sistemi di raffreddamento separati, la velocità di raffreddamento è molto più alta di quella degli altri frigoriferi. Gli odori negli scomparti non si mischiano.

Viene assicurato inoltre un risparmio energetico aggiuntivo dal momento che lo sbrinatorio automatico è eseguito individualmente.

### Funzione assenza

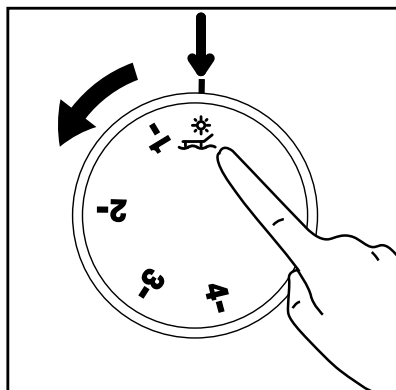
Se gli sportelli dell'apparecchio non sono aperti per 12 ore dopo il posizionamento del termostato sulla posizione più alta, allora si attiva automaticamente la funzione assenza.

Aprire lo sportello dell'apparecchio o cambiare l'impostazione del termostato per annullare la funzione.

La funzione assenza è opzionale.

Può variare a seconda del tipo di apparecchio e potrebbe non essere presente in tutti gli apparecchi.


Non si consiglia di conservare alimenti nello scomparto più freddo quando è attiva la funzione assenza.



## Congelamento di alimenti freschi

- Si deve preferire la copertura del cibo prima di posizionarli nel frigorifero.
- Gli alimenti caldi devono essere raffreddati fino alla temperatura ambiente prima di essere riposti nel frigorifero.
- Gli alimenti da congelare devono essere di buona qualità e freschi.
- Gli alimenti devono essere suddivisi in porzioni in base alle necessità quotidiane della famiglia o di un pasto.
- Gli alimenti devono essere imballati in modo da evitarne l'asciugatura, quando devono essere conservati per breve tempo.
- I materiali da utilizzare per l'imballaggio devono essere a prova di strappo e resistenti al caldo, all'umidità, agli odori oli e acidi e devono anche essere liberati dall'aria. Inoltre devono essere ben chiusi, maneggevoli e composti di materiale adatto per l'utilizzo in freezer profondi.
- Gli alimenti congelati devono essere prontamente utilizzati dopo scongelati e assolutamente non ricongelati.
- Attenersi alle seguenti istruzioni per ottenere i risultati migliori.
  1. Non congelare quantità troppo grandi in una volta sola. La qualità degli alimenti viene preservata in modo ottimale quando gli alimenti vengono congelati il più velocemente possibile.
  2. Il posizionamento di alimenti caldi nello scomparto freezer provoca il funzionamento continuo del sistema di raffreddamento finché gli alimenti non si solidificano.
  3. Fare attenzione a non mescolare alimenti già congelati e alimenti freschi.

## Consigli per la conservazione di alimenti congelati

- Gli alimenti congelati a livello commerciale devono essere riposti secondo le istruzioni del produttore per un congelamento  (4 stelle) degli alimenti nello scomparto apposito.
- Per assicurare che l'alta qualità degli alimenti congelati dal produttore e dal dettagliante sia conservata, ricordare quanto segue:
  1. Gli alimenti da congelare devono essere posti nello scomparto del freezer il più presto possibile dopo l'acquisto.
  2. Verificare che il contenuto sia etichettato e datato.
  3. Che non superi "usare entro" "preferibilmente entro" le date sul pacco.

### Sbrinamento

Lo scomparto freezer si sbrina automaticamente.

### Posizionamento alimenti

Ripiani dello scomparto freezer	Diversi alimenti congelati come carne, pesce, gelato, verdura ecc.
Scomparto per le uova	Uova
Ripiani scomparto frigo	Alimenti in padelle, piatti coperti e contenitori chiusi
Ripiani dello sportello dello scomparto frigo	Alimenti piccoli e imballati o bevande (come latte, succhi di frutta e birra)
Scomparto frutta e verdura	Verdura e frutta



Scomparto zona fresca	Prodotti di gastronomia (formaggio, burro, salumi, ecc.)
-----------------------	--

## Informazioni di congelamento profondo

Per conservare la qualità degli alimenti, il congelamento

deve avvenire quanto più rapidamente possibile.

È possibile conservare gli alimenti per un lungo periodo di tempo a  $-18^{\circ}\text{C}$  o a temperature inferiori.

È possibile conservare la freschezza degli alimenti per molti mesi (a  $-18^{\circ}\text{C}$  o temperatura inferiore nel freezer)

### AVVERTENZA! ⚠

- Gli alimenti devono essere suddivisi in porzioni in base alle necessità quotidiane della famiglia o di un pasto.
- Gli alimenti devono essere imballati in modo da evitarne l'asciugatura, quando devono essere conservati per breve tempo.
- Materiali necessari per l'imballo:
- Nastro adesivo resistente al freddo
- Etichette auto adesive
- Anelli in gomma
- Penna

I materiali da utilizzare per l'imballaggio devono essere a prova di strappo e resistenti al caldo, all'umidità, agli odori oli e acidi e devono anche essere liberati dall'aria.

Evitare che vengano in contatto con articoli precedentemente congelati per evitarne il parziale scongelamento.

Gli alimenti congelati devono essere prontamente utilizzati dopo scongelati e assolutamente non ricongelati.

## Arresto del prodotto

Se il termostato è dotato della posizione "0":

- Il prodotto interrompe il funzionamento quando si porta il termostato sulla posizione "0" (zero). Il prodotto non si avvia a meno che non si ruota di nuovo il termostato sulla posizione "1" o su una delle altre posizioni.

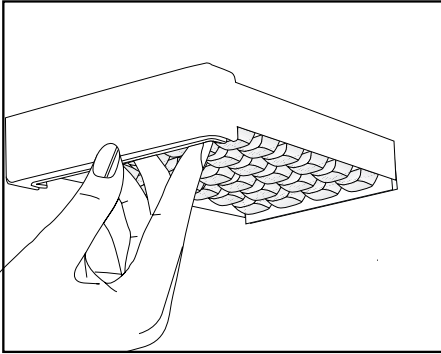
Se il termostato è dotato della posizione "min":

- Scollegare il prodotto per arrestarlo.

## Preparazione ghiaccio

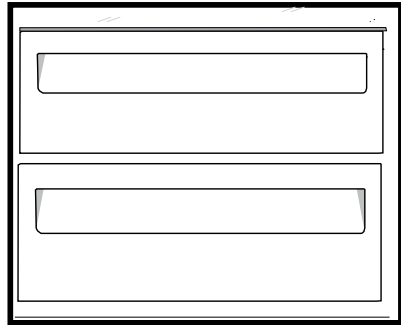
Riempire il contenitore del ghiaccio con acqua e metterlo in sede. Il ghiaccio sarà pronto in due ore circa.

È possibile rimuovere facilmente il ghiaccio torcendo leggermente il contenitore del ghiaccio.



## Scomparto temperatura zero

Questo scomparto è stato progettato per conservare alimenti congelati che devono essere scongelati lentamente (carne, pesce, pollo, ecc.) come necessario. Lo scomparto temperatura zero è la posizione più fredda del frigorifero in cui i prodotti caseari (formaggio, burro), carne, pesce o pollo possono essere conservati nelle condizioni ideali. Verdure e/o frutta non devono essere poste in questo scomparto.

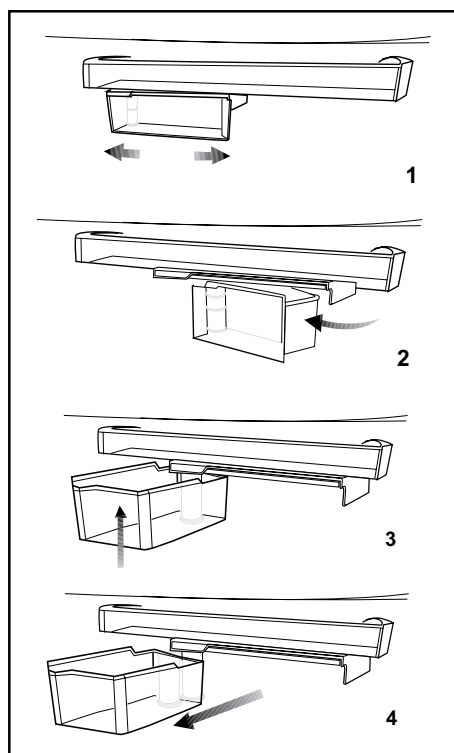


## Contenitore girevole per la conservazione

Il ripiano scorrevole può essere spostato verso sinistra o verso destra per consentire di riporre bottiglie lunghe, barattoli o scatoli su un ripiano inferiore (Fig. 1).

È possibile raggiungere gli alimenti posti sul ripiano afferrandolo e ruotandolo dal bordo destro (Fig.2).

Quando si desidera caricarlo o rimuoverlo per pulirlo, ruotarlo a 90 gradi, sollevarlo e tirarlo verso di sé (Fig. 3-4).



## Icematic e contenitore per conservare il ghiaccio

### Uso di Icematic

\* Riempire Icematic con acqua e metterlo in sede. Il ghiaccio sarà pronto in due ore circa. Non rimuovere l'Icematic dalla sua sede per prendere il ghiaccio.

\* Ruotare le manopole in senso orario per 90 gradi.

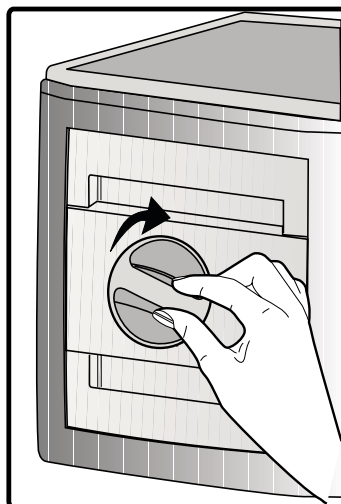
I cubetti di ghiaccio cadono nel contenitore per la conservazione del ghiaccio sotto.

\* È possibile estrarre il contenitore per la conservazione del ghiaccio e servire i cubetti.

\* Se lo si desidera, è possibile lasciare i cubetti nel contenitore per la conservazione del ghiaccio.

### Contenitore per la conservazione del ghiaccio

Il contenitore per la conservazione del ghiaccio ha solo lo scopo di conservare i cubetti di ghiaccio. Non inserirvi dell'acqua, Altrimenti si romperà.



## Descrizione e pulizia del filtro odori:

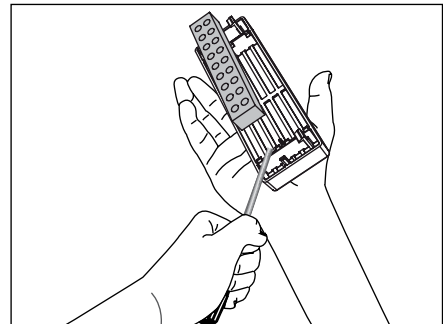
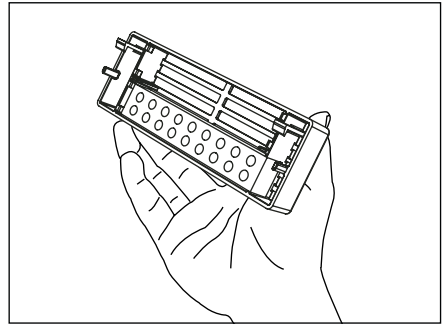
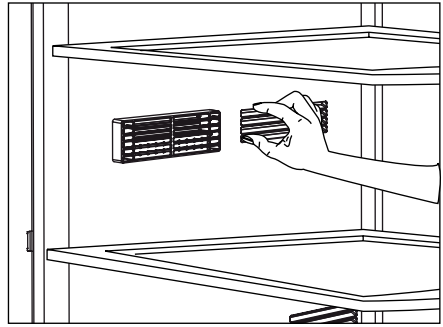
\* OPZIONALE

Il filtro odori evita la formazione di odori sgradevoli nel frigorifero.

Tirare verso il basso il coperchio in cui è installato il filtro odori e rimuovere secondo l'illustrazione. Lasciare il filtro per un giorno alla luce del sole. In filtro si pulirà in questo lasso di tempo.

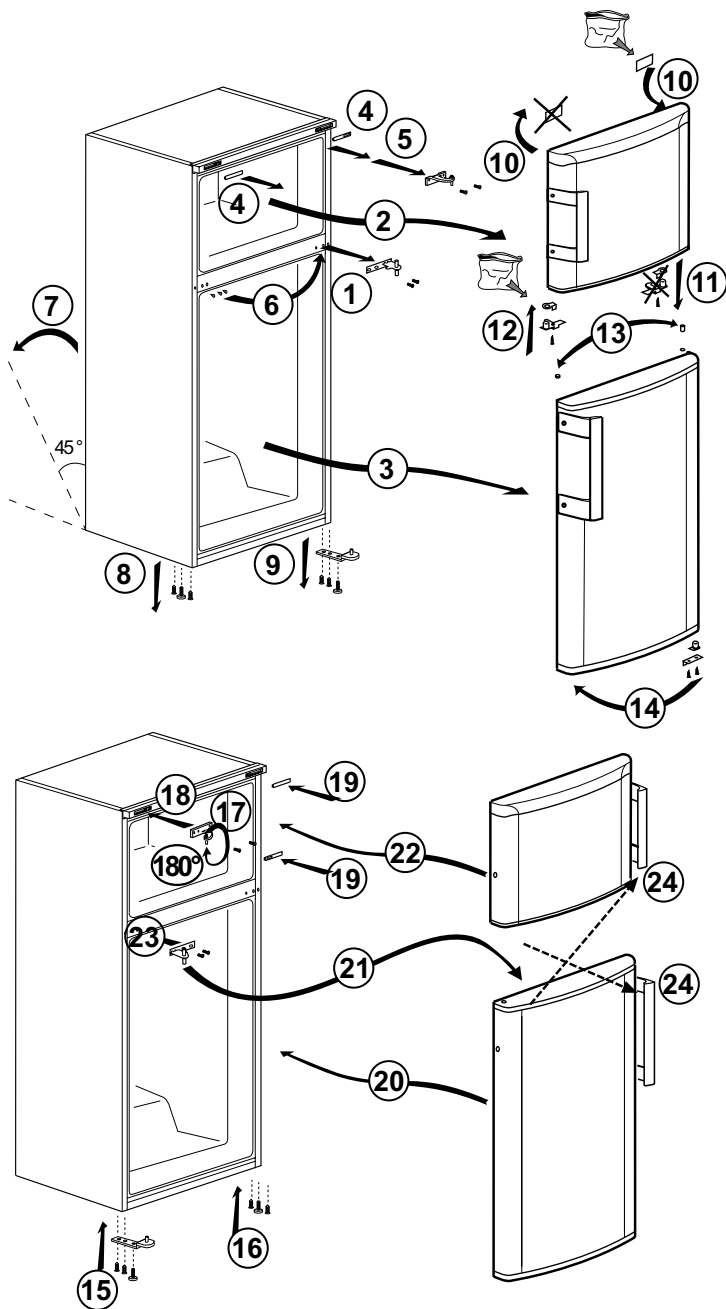
Installare di nuovo il filtro in posizione.

Il filtro odori deve essere pulito una volta all'anno.



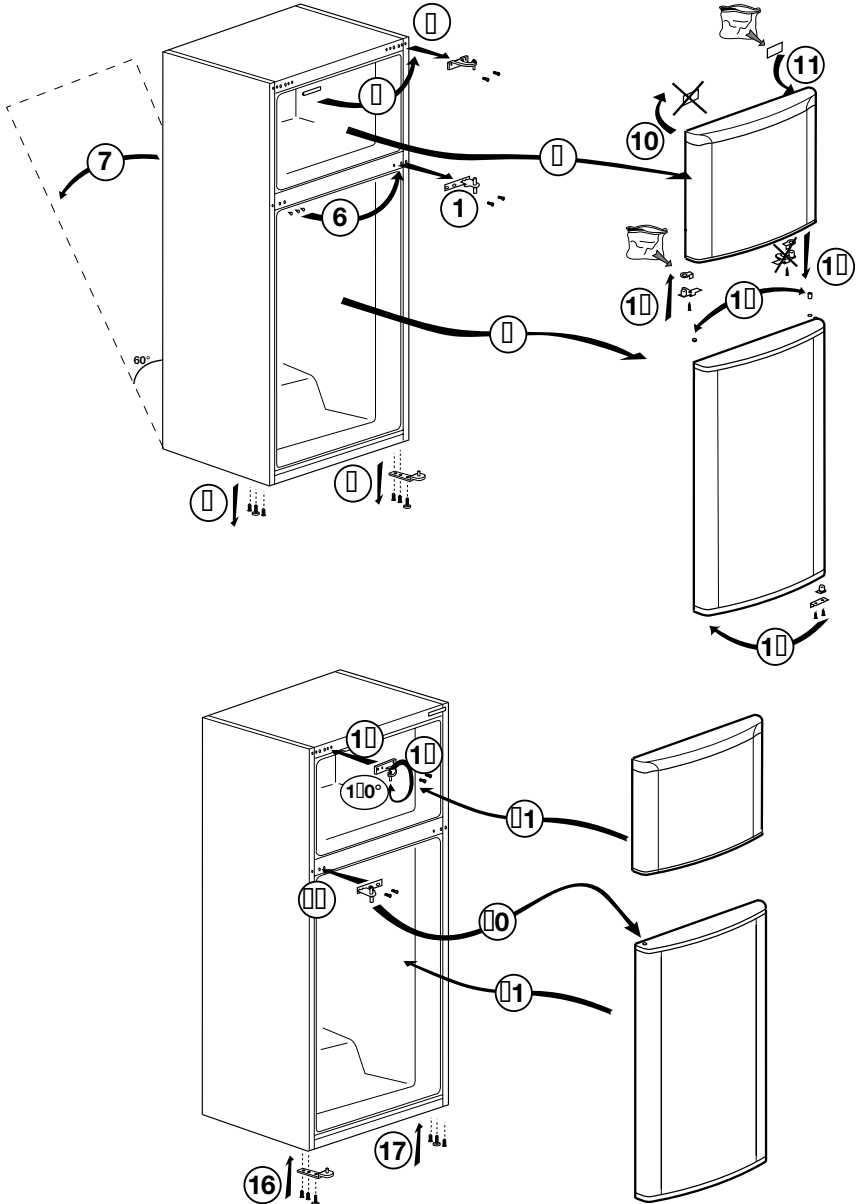
## Inversione dello sportello

Procedere seguendo l'ordine numerico



# Inversione dello sportello

Procedere seguendo l'ordine numerico



## 6 Manutenzione e pulizia

- ⚠ Non usare mai gasolio, benzene o sostanze simili per scopi di pulizia.
- ⚠ È consigliato scollegare l'apparecchio prima della pulizia.
- ⚠ Non utilizzare mai attrezzi appuntiti o sostanze abrasive, saponi, detergenti per la casa o cere per la pulizia.
- ⚠ Per i prodotti non-No Frost, si verifica la formazione di gocce di acqua e ghiaccio fino allo spessore di un dito sulla parete posteriore dello scomparto frigo. Non pulire; non applicare mai olio né agenti simili.
- ⚠ Utilizzare solo panni umidi in microfibra per pulire la superficie esterna del prodotto. Spugne e altri tipi di panni per la pulizia possono graffiare la superficie.
- 📌 Utilizzare acqua tiepida per pulire l'alloggiamento del frigorifero e asciugarlo.
- 📌 Utilizzare un panno umido intriso di una soluzione composta da un cucchiaino di bicarbonato di soda e da circa mezzo litro di acqua e pulire l'interno, quindi asciugare.
- ⚠ Assicursarsi che l'acqua non penetri nel quadro di comando della temperatura.
- ⚠ Se il frigorifero non viene usato per un lungo periodo di tempo, scollegare il cavo di alimentazione, rimuovere tutti gli alimenti dal suo interno, pulirlo e lasciare lo sportello aperto.
- 📌 Controllare le guarnizioni dello sportello periodicamente per garantire che siano pulite e che non siano presenti particelle di alimenti.
- ⚠ Per rimuovere le rastrelliere dello sportello, rimuovere tutto il contenuto e spingere semplicemente le rastrelliere verso l'alto.
- ⚠ Non utilizzare mai agenti di pulizia o acqua contenente cloro per pulire le superfici esterne e le parti rivestite in cromo dell'apparecchio. Il cloro provoca corrosione su tali superfici di metallo.
- ⚠ Non usare strumenti affilati e abrasivi o sapone, agenti detergenti domestici, detergenti, gasolio, benzene, cera, ecc., altrimenti le indicazioni sulle parti in plastica si toglieranno e si verificherà deformazione. Usare acqua tiepida e un panno morbido unicamente per le operazioni di pulizia e asciugatura.

### Protezione delle superfici di plastica

- 📌 Non inserire oli liquidi o piatti cotti in olio nel frigorifero se in contenitori non sigillati poiché questi possono danneggiare le superfici in plastica del frigorifero. In caso di fuoriuscita di olio sulle superfici in plastica, pulire e asciugare le parti della superfici con acqua tiepida.

## 7 Ricerca e risoluzione dei problemi

Prima di chiamare il servizio assistenza, rivedere la lista precedente. Si risparmierà tempo e denaro. Questa lista comprende frequenti reclami che non derivano da difetti di lavorazione o dai materiali utilizzati. Alcune delle funzioni descritte qui potrebbero non esistere nel proprio apparecchio.

### Il frigorifero non funziona.

- La spina non è inserita correttamente nella presa. >>>Inserire in modo sicuro la spina nella presa.
- Il fusibile della presa a cui è collegato il frigorifero o il fusibile principale sono saltati. >>>Controllare il fusibile.

### Condensa sulla parete laterale dello scomparto frigo (MULTIZONE, COOL CONTROL e FLEXI ZONE).

- Lo sportello è stato aperto con eccessiva frequenza. >>>Non aprire e chiudere lo sportello del frigorifero con eccessiva frequenza.
- L'ambiente è molto umido. >>>Non installare il frigorifero in luoghi molto umidi.
- Gli alimenti che contengono liquidi sono conservati in contenitori aperti. >>>Non conservare alimenti che contengono liquido in contenitori aperti.
- Lo sportello del frigorifero è lasciato aperto. >>>Chiudere lo sportello del frigorifero.
- Il termostato è impostato ad un livello molto freddo. >>>Impostare il termostato ad un livello adatto.

### Il compressore non funziona

- La protezione termica del compressore è inattiva in caso di mancanza di corrente o di mancato collegamento alla presa, se il sistema refrigerante non è ancora stato regolato. Il frigorifero comincerà a funzionare dopo circa 6 minuti. Chiamare il servizio assistenza se il frigorifero non inizia a funzionare al termine di questo periodo.
- Il frigorifero è nel ciclo di sbrinamento. >>>Si tratta di una cosa per un frigorifero con sbrinamento completamente automatico. Il ciclo di sbrinamento si verifica periodicamente.
- L'elettrodomestico non è collegato alla presa. >>>Accertarsi che la spina sia inserita nella presa.
- Le regolazioni di temperatura non sono eseguite in modo corretto. >>>Selezionare il valore di temperatura adatto.
- Vi è una mancanza di alimentazione. >>>Il frigorifero torna ad un funzionamento normale quando viene ripristinata l'alimentazione.

### Il rumore aumenta quando il frigorifero sta lavorando.

- La performance operativa del frigorifero può cambiare secondo i cambiamenti della temperatura ambiente. Si tratta di una cosa normale e non di un guasto.

Il frigorifero funziona frequentemente o per lunghi periodi.



• Il nuovo apparecchio è più grande del precedente. I frigoriferi più grandi lavorano per un più lungo periodo di tempo.

• La temperatura ambiente può essere alta. >>>È normale che l'apparecchio funzioni per periodi più lunghi in ambienti caldi.

• Il frigorifero è stato collegato alla presa di recente o è stato riempito di cibo. >>>Quando il frigorifero è stato appena collegato all'alimentazione o caricato con alimenti, ci vuole più tempo per raggiungere la temperatura impostata. Questo è normale.

• Grandi quantità di cibo caldo sono state recentemente inserite. >>>Non mettere alimenti caldi nel frigorifero.

• Gli sportelli sono aperti con eccessiva frequenza o sono stati lasciati aperti a lungo. >>>L'aria tiepida entrata nel frigorifero ne provoca il funzionamento per un periodo più lungo. Non aprire gli sportelli di frequente.

• Lo sportello del freezer o dello scomparto frigo sono rimasti aperti. >>>Controllare se gli sportelli sono perfettamente chiusi.

• Il frigo è regolato a temperatura molto bassa. >>>Regolare la temperatura del frigorifero ad un livello più alto e attendere fino a che la stessa sia acquisita.

• La chiusura dello sportello del frigorifero o del freezer può essere usurata, rotta o non inserita in modo appropriato. >>>Pulire o sostituire la guarnizione. Guarnizioni rotte o danneggiate provocano il funzionamento del frigo per periodi più lunghi per mantenere la temperatura corrente.

La temperatura ambiente è molto bassa mentre la temperatura del frigorifero è sufficiente.

• La temperatura del freezer è regolata a temperatura molto bassa. >>>Regolare la temperatura ad un livello più alto e controllare.

La temperatura ambiente è molto bassa mentre la temperatura del freezer è sufficiente.

• La temperatura del frigo è regolata a temperatura molto bassa. >>>Regolare la temperatura ad un livello più alto e controllare.

Gli alimenti che sono nei cassetti dello scomparto frigo sono congelati.

• La temperatura del frigo è regolata su un valore molto alto. >>>Regolare la temperatura del frigo ad un livello più basso e controllare.

La temperatura del frigo o freezer è molto alta.

• La temperatura del frigo è regolata su un valore molto alto. >>>L'impostazione della temperatura dello scomparto frigo provoca effetti sulla temperatura del freezer. Cambiare le temperature di frigo o freezer e aspettare finché i relativi scomparti non raggiungono una temperatura sufficiente.

• Gli sportelli sono aperti con eccessiva frequenza o sono stati lasciati aperti a lungo. >>>Non aprire gli sportelli di frequente.

• Lo sportello è aperto. >>>Chiudere completamente lo sportello.

• Il frigorifero è stato recentemente collegato all'alimentazione o caricato con alimenti. >>>Questo è normale. Quando il frigorifero è stato appena collegato all'alimentazione o caricato con alimenti, ci vuole più tempo per raggiungere la temperatura impostata.

• Grandi quantità di cibo caldo sono state recentemente inserite. >>>Non mettere alimenti caldi nel frigorifero.

• Vibrazioni o rumore.

• Il pavimento non è orizzontale o stabile. >>>Se il frigorifero ondeggia quando è mosso lentamente, equilibrarlo regolando i piedini. Accertarsi anche che il pavimento sia in piano e forte abbastanza da sopportare il frigorifero.

• Gli articoli messi sul frigorifero possono provocare rumore. >>>Rimuovere gli articoli da sopra al frigorifero.

Ci sono rumori che provengono dal frigorifero come gocciolamenti, spruzzo di liquidi, ecc.

• Il flusso di liquido e gas si verifica secondo i principi operativi del frigorifero. Si tratta di una cosa normale e non di un guasto.

Dal frigorifero si sente un fischio.

• Le ventole sono usate per raffreddare il frigorifero. Si tratta di una cosa normale e non di un guasto.

Condensa sulla parete interna del frigorifero.

• Il clima caldo/umido aumenta il ghiaccio e la condensa. Si tratta di una cosa normale e non di un guasto.

• Gli sportelli sono aperti con eccessiva frequenza o sono stati lasciati aperti a lungo. >>>Non aprire gli sportelli di frequente. Chiuderli se sono aperti.

• Lo sportello è aperto. >>>Chiudere completamente lo sportello.

Umidità al di fuori del frigorifero o tra le porte.

• Potrebbe esserci umidità nell'aria; questo è normale nei climi umidi. Al diminuire dell'umidità, la condensa scompare.

Odore cattivo dentro al frigorifero.

• Non viene eseguita una pulizia regolare. >>>Pulire regolarmente l'interno del frigorifero con una spugna, acqua tiepida o carbonato di sodio diluito in acqua.

• Alcuni contenitori o alcuni materiali per la confezione possono provocare odori. >>>Usare contenitori diversi o marche diverse.

• Gli alimenti sono posti nel frigorifero in contenitori non coperti. >>>Tenere gli alimenti in contenitori chiusi. I microrganismi che fuoriescono da contenitori non coperti possono provocare odori sgradevoli.

• Rimuovere gli alimenti scaduti e che si sono rovinati nel frigorifero.

Lo sportello non è chiuso.

- Gli imballaggi degli alimenti impediscono la chiusura dello sportello. >>>Sostituire le confezioni che ostruiscono lo sportello.
- Il frigorifero non è completamente poggiato sul pavimento. >>>Regolare i piedini per bilanciare il frigorifero.
- Il pavimento non è orizzontale o forte. >>>Accertarsi che il pavimento sia in piano, forte e in grado di sopportare il frigorifero.

Gli scomparti frutta e verdura sono bloccati.

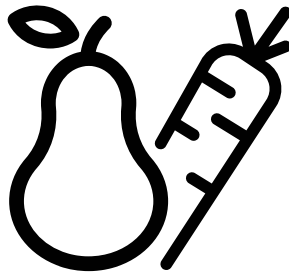
- Gli alimenti potrebbero toccare il tetto del cassetto. >>>Risistemare gli alimenti nel cassetto.

Se La Superficie Del Prodotto È Bollente.

- Quando il prodotto è in funzione, possono essere osservate alte temperature tra i due sportelli, sui pannelli laterali e sul grill posteriore. Ciò è normale e non richiede manutenzione!



**Frigorífico**  
Manual do Utilizador  
**Ψυγείο**  
Εγχειρίδιο Χρήστη



RDNE350K20X-RDNE350K20XB

**PT/EL**

57 9941 0000/AD 2/2 PT-EL

## **Por favor, leia primeiro este manual!**

Caro cliente,

Esperamos que o seu produto, que foi produzido em modernas instalações e testado através de rigorosos controlos de qualidade, ofereça-lhe um serviço efectivo.

Para isso, recomendamos que leia cuidadosa e inteiramente o manual do seu produto antes de utilizá-lo e guarde-o para futuras consultas.

### **Este manual**

- Ajudá-lo-á a utilizar o seu equipamento de forma rápida e segura.
  - Leia o manual antes de instalar e operar o seu equipamento.
  - Siga as instruções, especialmente as relativas à segurança.
  - Guarde o manual num local acessível, já que poderá precisar dele mais tarde.
  - Além disso, leia também os outros documentos fornecidos com o seu produto.
- Observe que este manual também pode ser válido para outros modelos.

### **Os símbolos e as suas descrições**

Este manual de instruções contém os seguintes símbolos:

 Informações importantes ou dicas úteis de utilização.

 Aviso sobre as condições de risco para a vida e a propriedade.

 Aviso sobre a voltagem eléctrica.

## CONTEÚDO

### **1 O seu frigorífico** **3**

#### **2 Avisos importantes de segurança** **4**

Uso pretendido.....	4
Para produtos com um dispensador de água;.....	8
Segurança com crianças .....	8
Conformidade com a Directiva WEEE e Eliminação de Resíduos: .....	8
Cumprimento com a Directiva RoHS: .....	9
Informação sobre a embalagem .....	9
Aviso HC .....	9
O que se pode fazer para economizar energia .....	9
Recomendações para o compartimento de alimentos frescos	10

#### **3 Instalação** **11**

Pontos a serem considerados ao transportar novamente o seu frigorífico.....	11
Antes de funcionar o seu frigorífico ..	11
Ligação eléctrica .....	12
Eliminação da embalagem.....	12
Eliminação do seu frigorífico velho ...	12
Colocação e instalação .....	12
Ajuste dos pés.....	13

### **4 Preparação** **14**

#### **5 Utilizar o seu frigorífico** **15**

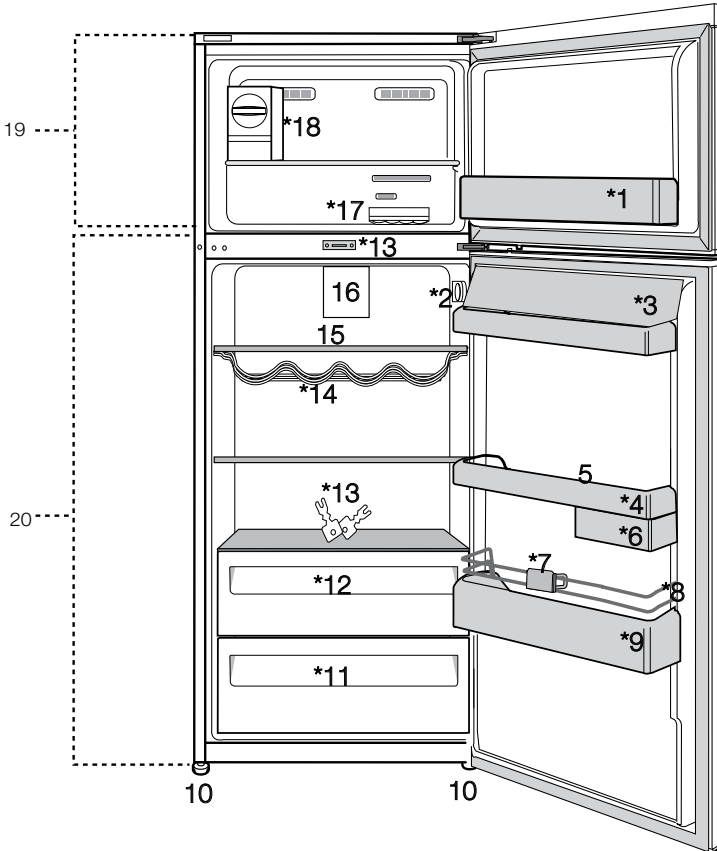
Botão de ajuste da temperatura .....	15
Ajustar a temperatura do seu frigorífico.....	15
Sistema de arrefecimento duplo .....	15
Função 'Vacation' (Férias).....	16
Para o seu produto .....	16
Congelar alimentos frescos.....	16
Recomendação para a preservação de alimentos congelados.....	17
Colocação dos alimentos .....	18
Substituição do módulo da luz interior .....	18
O que se pode fazer para economizar energia .....	18
Fazer gelo.....	18
Descrição e limpeza do filtro para odores: .....	19
Icematic e reservatório de armazenamento de gelo .....	19
Reservatório de armazenamento giratório .....	20
Compartimento de temperatura zero	20
Inverter a porta .....	21
Inverter a porta .....	22

#### **6 Manutenção e limpeza** **23**

Protecção das superfícies plásticas	23
-------------------------------------	----

#### **7 Soluções recomendadas para os problemas** **24**

# 1 O seu frigorífico



1. Prateleira da porta do compartimento do congelador

2. Botão de ajuste da temperatura

3. Secções de manteiga e queijo

4. Prateleira da porta do compartimento do frigorífico

5. Suportes para ovos

6. Reservatório de armazenamento giratório

7. Suporte para garrafas

8. Protecção metálica

9. Prateleira para garrafas

10. Pés ajustáveis

11. Gaveta para frutos e legumes

12. Compartimento do resfriador

13. Chave

14. Garrafeira

15. Prateleiras de vidro do compartimento do refrigerador

16. Ventoinha

17. Compartimento do gelo

18. Icematic

19. Compartimento do congelador

20. Compartimento do frigorífico

**\*opcional**





**I** As figuras que aparecem neste manual de instruções são esquemáticas e podem não corresponder exactamente ao seu produto. Se as partes referidas não estiverem incluídas no produto que adquiriu, é porque são válidas para outros modelos.

## 2 Avisos importantes de segurança

Por favor, reveja as informações seguintes. A não-observância destas informações pode causar ferimentos ou danos ao material. Caso contrário, todas as garantias e compromissos de fiabilidade tornar-se-ão inválidos.

As peças sobressalentes originais serão fornecidas durante 10 anos a partir da data da compra.

### Uso pretendido

	<b>AVISO:</b> Manter as aberturas de ventilação, na caixa de proteção do aparelho ou na estrutura embutida, sem obstruções.
	<b>AVISO:</b> Não usar dispositivos mecânicos nem outros meios para acelerar o processo de descongelação, exceto os recomendados pelo fabricante.
	<b>AVISO:</b> Não danificar o circuito de refrigeração.
	<b>AVISO:</b> Não usar aparelhos eléctricos no interior dos compartimentos de armazenamento de alimentos do aparelho, a menos que sejam do tipo recomendado pelo fabricante.

Este aparelho é destinado a ser usado em uso doméstico e

aplicações similares como

- zonas de cozinha em estabelecimentos comerciais, escritórios ou outros ambientes laborais;
- casas rurais e pelos clientes em hotéis, motéis e outros ambientes de tipo residencial;
- ambientes de tipo alojamento e pequeno almoço;
- utilizações de refeições e outros não-retalhistas similares.

### Segurança geral

- Quando quiser eliminar/ desfazer-se do produto, recomendamos que consulte o serviço de assistência e os órgãos autorizados para obter mais informações.
- Consulte o seu serviço de assistência autorizado para todas as questões e problemas relativos ao frigorífico. Não tente reparar e nem permita que ninguém o faça sem notificar os serviços de assistência autorizados.
- Para produtos com um compartimento de congelador; Não coma cones de gelados e cubos de gelo imediatamente após retirá-los do compartimento do congelador! (Isto pode provocar queimaduras de frio na sua boca).
- Para produtos com compartimento de congelador; Não coloque bebidas líquidas enlatadas ou engarrafadas no



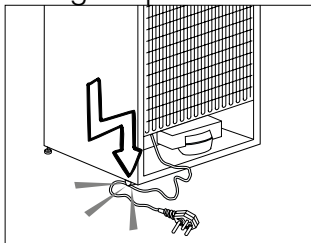
compartimento do congelador. Caso contrário, podem rebentar.

- Não toque nos alimentos congelados; podem ficar presos à sua mão.
- Desligue o seu frigorífico da tomada antes da limpeza ou descongelação.
- O vapor e materiais de limpeza vaporizados nunca deverão ser utilizados nos processos de limpeza e descongelação do seu frigorífico. Em tais casos, o vapor poderá entrar em contacto com as partes eléctricas e provocar curto-circuito ou choque eléctrico.
- Nunca use as partes do seu frigorífico, tal como a porta, como meios de apoio ou degrau.
- Não utilize dispositivos eléctricos dentro do frigorífico.
- Não danifique as partes por onde circula a refrigeração, com ferramentas perfurantes ou cortantes. O refrigerante que pode explodir quando os canais de gás do evaporador, as extensões do tubo ou os revestimentos da superfície são perfurados, causa irritações na pele ou ferimentos nos olhos.
- Não cubra ou bloqueie os orifícios de ventilação do seu frigorífico com nenhum tipo de material.
- Os dispositivos eléctricos só devem ser reparados por pessoas autorizadas. As reparações realizadas por pessoas incompetentes causam riscos ao utilizador.
- Em caso de qualquer falha quer durante uma manutenção ou num trabalho de reparação, desligue a alimentação eléctrica do seu frigorífico, desligando o fusível correspondente ou retirando a ficha da tomada.
- Não puxe pelo cabo quando for retirar a ficha da tomada.
- Assegure-se de que bebidas fortemente alcoólicas são guardadas de forma segura com a tampa apertada e colocadas na vertical .
- Nunca guarde latas de aerossol inflamáveis e substâncias explosivas no frigorífico.
- Não utilize dispositivos mecânicos ou outros para acelerar o processo de descongelação. Siga apenas as instruções recomendadas pelo fabricante.
- Este produto não se destina a ser usado por pessoas com incapacidades físicas, sensoriais ou mentais ou sem conhecimento ou experiência (incluindo crianças), a menos que sejam supervisionadas por alguém responsável pela sua segurança ou que as instrua sobre o uso do produto.
- Não utilize um frigorífico avariado. Consulte o agente autorizado se tiver qualquer questão.
- A segurança eléctrica do seu frigorífico apenas poderá ser garantida se o sistema de ligação à terra da sua casa

estiver em conformidade com as normas.

- A exposição do produto à chuva, neve, sol e vento é perigosa no que toca à segurança eléctrica.
- Para evitar qualquer perigo, contacte o serviço autorizado se o cabo eléctrico estiver danificado.
- Nunca ligue o frigorífico à tomada de parede durante a instalação. Caso contrário, poderá ocorrer perigo de morte ou ferimentos graves.
- Este frigorífico foi concebido unicamente para guardar alimentos. Não deverá ser utilizado para quaisquer outros fins.
- A etiqueta das especificações técnicas está localizada na parede esquerda no interior do frigorífico.
- Nunca ligue o seu frigorífico a sistemas de poupança de electricidade, pois podem danificá-lo.
- Se houver uma luz azul no frigorífico, não olhe para ela a olho nu ou com ferramentas ópticas durante muito tempo.
- Para frigoríficos controlados manualmente, aguarde pelo menos 5 minutos para voltar a ligá-lo após uma falha eléctrica.
- Este manual de instruções deverá ser entregue ao novo proprietário do produto quando for dado/vendido a outros.
- Evite causar danos ao cabo eléctrico quando transportar o frigorífico. Dobrar o cabo

pode causar incêndio. Nunca pouse objectos pesados no cabo eléctrico. Não toque na ficha com as mãos molhadas quando a introduz na tomada para ligar o produto.

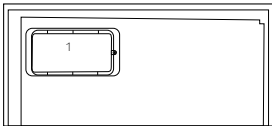
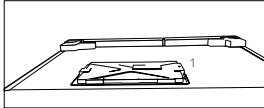


- Ao instalar o eletrodoméstico, certifique-se de que o cabo de alimentação não fica entalado nem danificado.
- Não coloque tomadas múltiplas nem fontes de alimentação portáteis junto à parte traseira do eletrodoméstico.
- As crianças com idade entre 3 e 8 anos podem colocar e retirar cargas de aparelhos de refrigeração.
- Para evitar a contaminação dos alimentos, respeite as instruções a seguir apresentadas:
  - – abrir a porta durante longos períodos de tempo pode causar um aumento de temperatura significativo nos compartimentos do aparelho;
  - – limpe regularmente as superfícies que podem entrar em contacto com alimentos, assim como os sistemas de drenagem acessíveis;
  - – limpe os reservatórios de água se não forem utilizados

durante 48 horas; lave o sistema de ligação ao fornecimento

- de água, se não tiver sido extraída água durante 5 dias;
- – armazene carne e peixe crus em recipientes adequados, no frigorífico, para que não entrem em contacto ou pinguem para os outros alimentos;
- – os compartimentos para congelação de alimentos de duas estrelas são adequados para armazenar alimentos pré-congelados, armazenar ou fazer gelados e fazer cubos de gelo;
- – os compartimentos de uma, duas e três estrelas não são adequados para congelar alimentos frescos;
- – se o aparelho de refrigeração ficar vazio durante longos períodos de tempo, desligue, descongele, limpe, seque e deixe a porta aberta para evitar a formação de bolor no interior do aparelho.
- Não ligue o frigorífico à tomada, se a tomada de parede estiver solta.
- Não deverá ser vaporizado directamente nas partes interiores ou interiores do produto devido a razões de segurança.
- Para evitar risco de incêndio e explosão, não vaporize substâncias que contenham gases inflamáveis, tais como gás propano, etc., próximo ao frigorífico.
- Não coloque recipientes que contenham água sobre o topo do frigorífico, visto que tal poderá resultar em choque eléctrico ou incêndio.
- Não sobrecarregue o frigorífico com excesso de alimentos. Se sobrecarregado, os alimentos podem cair e feri-lo a si e danificar o frigorífico ao abrir a porta. Nunca coloque objectos no topo do frigorífico, visto que estes podem cair quando se abre ou fecha a porta do frigorífico.
- Como precisam de um controlo de temperatura exacta, as vacinas, medicamentos sensíveis ao aquecimento, materiais científicos, etc., não deverão ser guardados no frigorífico.
- Se não for utilizado por um longo tempo, o frigorífico deve ser desligado da tomada. Qualquer problema possível no cabo eléctrico poderá resultar em incêndio.
- O frigorífico pode mover-se se os pés não estiverem devidamente fixados ao piso. O ajuste seguro e apropriado dos pés ao piso pode impedir o frigorífico se mova.
- Ao transportar o frigorífico, não segure pelo puxador da porta. Caso contrário, pode quebrar.
- Se posicionar o seu frigorífico próximo de outro frigorífico ou arca frigorífica, a distância entre os dispositivos deve ser de pelo menos 8 cm. Caso contrário, as paredes laterais adjacentes podem humedecer.

- Nunca usar o produto se a secção localizada na parte superior ou traseira do seu produto com placas de circuitos impressos electrónicos no interior estiver aberta (tampa da placa de circuito electrónico impresso) (1).



### Para produtos com um dispensador de água;

- A pressão para a entrada de água fria deve ser no máximo de 90 psi (620 kPa). Se a sua pressão de água exceder 80 psi 550 kPa), utilize uma válvula limitadora de pressão no seu sistema de alimentação. Se não sabe como verificar a sua pressão de água, deve solicitar a ajuda de um canalizador profissional.
- Se existir o risco de o golpe de ariete afetar a sua instalação, deve utilizar sempre um equipamento de prevenção do golpe de ariete na sua instalação. Deve consultar os canalizadores profissionais se não tiver a certeza se existe o efeito de golpe de ariete na sua instalação.

- Não instalar na entrada de água quente. Deve tomar precauções relativamente ao risco de congelamento nas tubagens. O intervalo de funcionamento de temperatura da água deve ser 33°F (0,6°C) de mínimo e 100°F (38°C) de máximo.

- Use apenas água potável.

### Segurança com crianças

- Se a porta possuir uma fechadura, a chave deverá ser mantida afastada do alcance das crianças.
- As crianças devem ser vigiadas para impedir que brinquem com o produto.

### Conformidade com a Directiva WEEE e Eliminação de Resíduos:



Este produto está em conformidade com a Directiva WEEE da UE (2012/19/EU). Este produto porta um símbolo de classificação para resíduos de equipamentos eléctricos e electrónicos (WEEE).

Este produto foi fabricado com materiais e peças de alta qualidade, que podem ser reutilizados e reciclados. No fim da sua vida útil, não elimine o resíduo com o lixo doméstico normal ou outro lixo. Leve-o a um centro de recolha para reciclagem de equipamentos eléctricos e electrónicos. Consulte as autoridades locais para se informar sobre estes centros de recolha.

## **Cumprimento com a Directiva RoHS:**

O produto que adquiriu está em conformidade com a Directiva RoHS da UE (2011/65/EU). Ele não contém materiais perigosos e proibidos especificados na Directiva.

## **Informação sobre a embalagem**

Os materiais de embalagem do produto são fabricados a partir de materiais recicláveis, de acordo com as nossas Normas Ambientais Nacionais. Não elimine os materiais de embalagem junto com o lixo doméstico ou outro tipo de lixo. Encaminhe-os a um ponto de recolha de materiais de embalagem indicado pelas autoridades locais.

## **Aviso HC**

### **O sistema de arrefecimento do seu produto contém R600a:**

Este gás é inflamável. Por isso, tenha cuidado em não danificar o sistema de arrefecimento e a tubagem durante o uso e transporte. No caso de algum dano, mantenha o seu produto longe de potenciais fontes de fogo que possam fazer com que o produto de incendeie e ventile o compartimento no qual a unidade está colocada.

### **Ignore este aviso se o sistema de arrefecimento do seu produto contiver R134a:**

O tipo de gás usado no produto está indicado na placa de características localizada na parede esquerda no interior do frigorífico.

Nunca elimine o seu produto no fogo.

## **O que se pode fazer para economizar energia**

- Não deixe as portas do seu frigorífico abertas durante muito tempo.

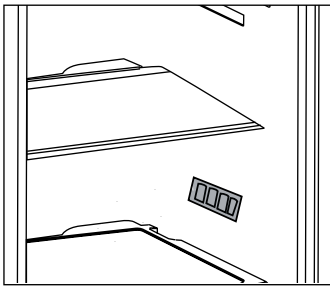
- Não coloque alimentos ou bebidas quentes no seu frigorífico.
- Não sobrecarregue o seu frigorífico para que a circulação do ar no interior não seja dificultada.
- Não instale o seu frigorífico sob a luz solar directa ou próximo de aparelhos que emitem calor tais como fornos, máquinas de lavar louça ou radiadores.
- Tenha cuidado em manter os seus alimentos em recipientes fechados.
- Para produtos com um compartimento de congelador; Pode armazenar uma quantidade máxima de alimentos no congelador se remover a prateleira ou gaveta do congelador. O valor do consumo de energia indicado no seu frigorífico foi determinado removendo a prateleira do congelador ou a gaveta e com carga máxima. Não existe qualquer risco em utilizar uma prateleira ou gaveta de acordo com as formas e tamanhos dos alimentos a serem congelados.
- Descongelar os alimentos congelados no compartimento do frigorífico poupará energia e preservará a qualidade dos alimentos.

## **Recomendações para o compartimento de alimentos frescos**


**\* OPCIONAL**

Não deixe que nenhum alimento entre em contacto com o sensor de temperatura no compartimento de alimentos frescos. Para manter o compartimento de alimentos frescos na temperatura ideal de armazenamento, o sensor não pode estar obstruído por alimentos.

Não coloque alimentos quentes no seu equipamento.



### 3 Instalação

 Por favor, lembre-se de que o fabricante não pode ser responsabilizado se não forem observadas as informações fornecidas no manual de instruções.

#### Pontos a serem considerados ao transportar novamente o seu frigorífico

1. O seu frigorífico deve ser esvaziado e limpo antes de ser transportado.
2. As prateleiras, acessórios, gaveta para frutas e legumes, etc. do seu frigorífico devem ser firmemente presos com fita adesiva, devido aos solavancos antes de voltar a empacotá-lo.
3. A embalagem deve ser amarrada com fitas grossas e cordas fortes e devem ser seguidas as normas de transporte indicadas na mesma.

#### Não se esqueça...

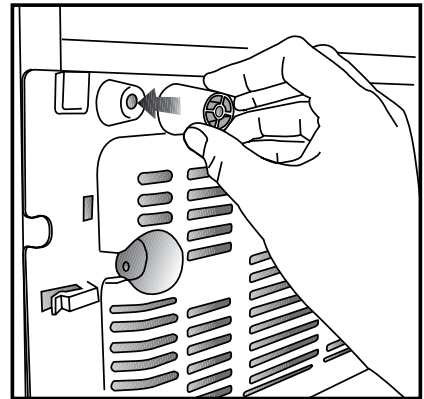
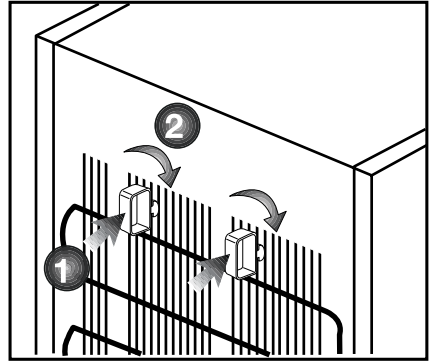
Todo material reciclado é uma fonte indispensável para a natureza e para os nossos recursos nacionais.

Se quiser contribuir para a reciclagem dos materiais da embalagem, pode obter mais informações nos organismos relativos ao ambiente ou junto das autoridades locais.

#### Antes de funcionar o seu frigorífico

Antes de iniciar a utilização do seu frigorífico, verifique o seguinte:

1. O interior do frigorífico está seco e o ar pode circular livremente na sua parte traseira?



2. Introduza os 2 calços plásticos na ventilação traseira, conforme mostrado na figura seguinte. Os calços plásticos proporcionarão a distância necessária entre o seu frigorífico e a parede, permitindo assim a livre circulação do ar.
3. Limpe o interior do frigorífico conforme recomendado na secção “Manutenção e limpeza”.
4. Ligue o frigorífico à tomada eléctrica. A luz interior acender-se-á quando a porta do frigorífico for aberta.

5. Ouvirá um ruído quando o compressor começar a trabalhar. O líquido e os gases no interior do sistema de refrigeração também podem fazer algum ruído, mesmo que o compressor não esteja a funcionar, o que é perfeitamente normal.
6. As arestas da frente do frigorífico podem ficar quentes. Isto é normal. Estas arestas são projectadas para ficarem quentes, a fim de evitar a condensação.

## Ligação eléctrica

Ligue o seu produto a uma tomada de terra, que esteja protegida por um fusível com a capacidade apropriada.

Importante:

- A ligação deve estar em concordância com os regulamentos nacionais.
- A ficha do cabo de alimentação deve estar facilmente acessível após a instalação.
- A voltagem especificada deve ser igual à sua voltagem eléctrica.
- Não devem ser usados cabos de extensão e fichas multiusos para a ligação.

⚠ Um cabo de alimentação danificado deve ser substituído por um electricista qualificado.

⚠ O produto não deve ser utilizado antes de ser reparado! Há risco de choque eléctrico!

## Eliminação da embalagem

Os materiais de embalagem podem ser perigosos para as crianças.

Guarde os materiais da embalagem fora do alcance das crianças ou elimine-os, classificando-os de acordo com as instruções sobre o lixo. Não os elimine juntamente com o lixo doméstico normal.

A embalagem do seu frigorífico é produzida com materiais recicláveis.

## Eliminação do seu frigorífico velho

Elimine o seu frigorífico velho sem causar qualquer perigo ao meio ambiente.

- Pode consultar o seu revendedor autorizado ou o centro de recolha do lixo do seu município a respeito da eliminação do seu frigorífico.

Antes de se desfazer do seu frigorífico, corte a ficha eléctrica e, se houver trincos nas portas, deixe-os inutilizados, a fim de proteger as crianças contra qualquer perigo.

## Colocação e instalação

⚠ Se a porta de entrada do compartimento onde o frigorífico será instalado não for o suficientemente larga para que ele passe, chame o serviço de assistência autorizado para que possam remover as portas do seu frigorífico e passá-lo de forma inclinada através da porta.

1. Instale o seu frigorífico num local que permita fácil acesso.
2. Mantenha o seu frigorífico longe das fontes de calor, lugares húmidos e luz solar directa.
3. Deve existir uma circulação de ar adequada à volta do seu frigorífico,



para que obtenha um funcionamento eficiente. Se o frigorífico for colocado numa reentrância da parede, deve haver uma distância mínima de 5cm do tecto e, pelo menos, 5 cm da parede. Se o piso for coberto por alcatifa, o seu produto deve ter uma elevação de 2,5 cm do chão.

4. Coloque o seu frigorífico num pavimento uniforme para evitar solavancos.

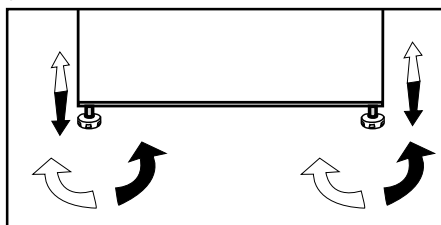
  - O condensador do seu equipamento está localizado na parte de trás, como mostrado a seguir. A fim de obter uma melhor eficiência energética com baixo consumo de energia, puxe o condensador na sua direcção, como ilustrado na figura abaixo. A posição do condensador será firmemente fixada através do mecanismo de bloqueio dos prendedores superior existentes em cada um dos lados.

**\* OPCIONAL**



## Ajuste dos pés

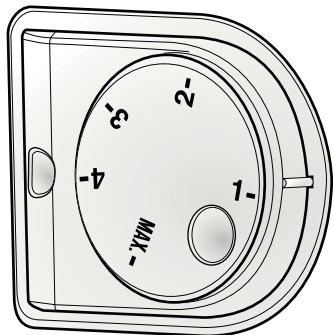
Se o seu frigorífico estiver desnivelado; Pode equilibrar o seu frigorífico, rodando os seus pés frontais conforme ilustrado na figura. O canto onde está o pé é baixado quando roda na direcção da seta preta e levantado quando roda na direcção oposta. Peça ajuda a alguém para erguer ligeiramente o frigorífico, facilitará este processo.



## 4 Preparação

- O seu frigorífico deverá ser instalado a uma distância mínima de 30 cm de quaisquer fontes de calor, tais como placas, fornos, aquecimento central e fogões e de 5 cm de fornos eléctricos e não deverá ficar exposto directamente à luz solar.
- Certifique-se de que o interior do seu frigorífico esteja completamente limpo.
- Se forem instalados dois frigoríficos lado a lado, deverá existir uma distância mínima de 2 cm entre eles.
- Quando utilizar o seu frigorífico pela primeira vez, por favor, observe as seguintes instruções durante as seis horas iniciais.
- A porta não deverá ser aberta frequentemente.
- Deve começar a funcionar vazio, sem alimentos no interior.
- Não retire a ficha da tomada do seu frigorífico. Se houver uma falha de energia inesperada, por favor consulte os avisos na secção “Soluções recomendadas para os problemas”.
- A embalagem original e os materiais de esponja deverão ser guardados para transportes ou deslocações futuras.
- Este equipamento foi concebido para funcionar nas temperaturas especificadas na tabela abaixo e está equipado com o Advanced Electronic Temperature Control System [AETCS] (Sistema de controlo da temperatura electrónico avançado), que assegura que a definição recomendada [4 – quatro no botão] não descongelará os alimentos congelados no congelador, mesmo que a temperatura ambiente desça para menos de -15 °C. Ao ser instalado pela primeira vez, o produto NÃO DEVERÁ ser colocado em locais com baixa temperatura porque o congelador não baixará para a sua temperatura padrão de funcionamento. Quando tiver alcançado um estado de funcionamento estável, pode ser reposicionado. Assim, poderá depois instalar o seu equipamento numa garagem ou compartimento sem aquecimento, sem ter que se preocupar se os alimentos congelados que estão no congelador se estão a deteriorar. Contudo, nos ambientes de baixas temperaturas mencionados acima, os conteúdos do frigorífico podem congelar, por isso, verifique e consuma os alimentos do frigorífico atempadamente. Quando a temperatura ambiente voltar ao normal, poderá alterar a definição do botão conforme as suas necessidades.
- Se a temperatura ambiente estiver abaixo dos 0°C, os alimentos no compartimento do frigorífico congelarão. Por isso, recomendamos que não use o compartimento do frigorífico em condições de temperatura ambiente muito baixa. Pode continuar a usar o compartimento do congelador como de costume.
- Nalguns modelos, o painel de instrumentos desliga-se automaticamente 5 minutos depois da porta ter sido fechada. Será reactivado quando a porta for aberta ou quando for premida qualquer tecla.
- Devido a mudanças de temperatura, em consequência da abertura/ fecho da porta do produto durante o funcionamento, é normal que se produza condensação na porta/ prateleiras e recipientes de vidro da estrutura.

## 5 Utilizar o seu frigorífico



### Botão de ajuste da temperatura

O botão de ajuste da temperatura permite-lhe fazer as definições da temperatura do seu frigorífico.

### Ajustar a temperatura do seu frigorífico

O ajuste geral da temperatura do seu frigorífico é efectuado através do botão de ajuste da temperatura, na parede esquerda do compartimento do refrigerador. Este botão possui 5 diferentes posições de ajuste da temperatura. Selecione a posição adequada às suas necessidades.

### Sistema de arrefecimento duplo

O seu frigorífico está equipado com dois sistemas separados de arrefecimento, para arrefecer o compartimento para alimentos frescos e o compartimento do congelador. Assim, o ar no compartimento para alimentos frescos e no compartimento do congelador não se misturam. Graças a estes dois sistemas separados de arrefecimento, a velocidade de arrefecimento é muito mais alta do que em outros frigoríficos. Os odores dos compartimentos não se misturam. Também ocorre uma poupança adicional de energia, já que a descongelação automática é realizada individualmente.

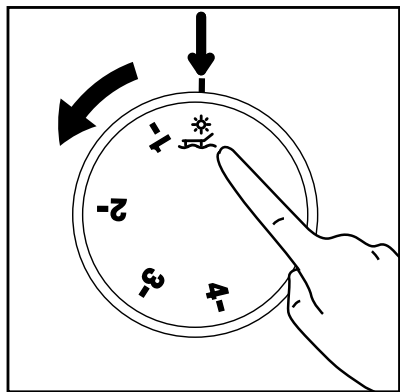
## Função 'Vacation' (Férias)

Se as portas do produto não forem abertas por 12 horas depois do termóstato ter sido comutado para posição mais quente, a função 'Vacation' (Férias) será automaticamente activada.

Abra a porta do produto ou altere a definição do termóstato para cancelar a função.

A função 'Vacation' é opcional. Ela poderá variar dependendo do tipo de produto e poderá não existir em todos os produtos.

Não é recomendado o armazenamento de alimentos no compartimento mais frio quando a função 'vacation' está activa.



## Para o seu produto

Se o seu termóstato estiver equipado com a posição "0":

- O seu produto parará o funcionamento ao rodar o botão do termóstato para a posição "0" (zero). O seu produto não iniciará a menos que rode novamente o botão do termóstato para a posição "1" ou uma das outras posições.

Se o seu termóstato estiver equipado com a posição "min":

- Desligue o seu produto para o parar.

## Congelar alimentos frescos

- É preferível envolver ou cobrir os alimentos antes de colocá-los no frigorífico.
- Os alimentos quentes devem ser arrefecidos à temperatura ambiente antes de serem colocados no frigorífico.
- Os alimentos que pretende congelar devem ser frescos e de boa qualidade.
- Os alimentos devem estar repartidos em porções de acordo com o quotidiano familiar ou as necessidades de consumo de refeições.
- Os alimentos deverão ser embalados de uma forma hermética para evitar que sequem mesmo que venham a ser guardados durante pouco tempo.
- Os materiais a serem utilizados para embalar os alimentos deverão ser à prova de rompimento e resistentes ao frio, humidade, cheiros, óleos e ácidos e também devem ser herméticos. Além disso, devem estar bem fechados e devem ser feitos de materiais fáceis de manusear, que sejam apropriados para fins de congelação.

- Os alimentos a congelar devem ser colocados no compartimento do congelador. (Não deverão entrar em contacto com os itens congelados anteriormente para evitar a sua descongelação parcial. A capacidade de congelação do seu produto é fornecida nas especificações técnicas do seu frigorífico).

- Os períodos dados na informação sobre congelação devem ser observados nos momentos de armazenamento.

- Os alimentos congelados deverão ser usados imediatamente depois de serem descongelados e nunca deverão ser recongelados.


- Para obter os melhores resultados, as instruções a seguir apresentadas devem ser tomadas em linha de conta.

1. Não congele grandes quantidades de alimento de uma só vez. A qualidade dos alimentos é melhor preservada quando a congelação atinge o interior no menor tempo possível.

2. A colocação de alimentos quentes no compartimento do congelador obriga o sistema de refrigeração a um funcionamento contínuo até à completa congelação dos alimentos.

3. Tenha um cuidado especial para não misturar alimentos já congelados com alimentos frescos.

## **Recomendação para a preservação de alimentos congelados**

- Os alimentos embalados pré-congelados devem ser armazenados de acordo com as instruções do fabricante do alimento, para um compartimento de armazenamento de alimentos congelados de  ( 4 estrelas).

- Para garantir que é atingida e mantida a alta qualidade dos alimentos congelados, deverá ter em conta o seguinte:

1. Coloque as embalagens no congelador o mais rapidamente possível após a aquisição.

2. Verifique se os recipientes estão etiquetados e datados.

3. Não ultrapasse as datas de validade mencionadas nas embalagens.

No caso de ocorrer uma falha de energia, não abra a porta do congelador. Mesmo que uma falha eléctrica se prolongue até ao indicado no “Tempo de aumento da temperatura” na secção “Especificações técnicas do seu frigorífico”, os alimentos congelados não serão afectados. No caso de faltar energia por mais tempo, os alimentos devem ser verificados e se for necessário, devem ser consumidos imediatamente ou então congelados depois de serem cozinhados.

## **Descongelação**

Os compartimentos do congelador e do frigorífico descongelam automaticamente.

## Colocação dos alimentos

Prateleiras do compartimento do congelador	Diversos alimentos congelados, tais como carne, peixe, gelado, legumes, etc.
Suporte para ovos	Ovo
Prateleiras do compartimento do refrigerador	Alimentos em panelas, pratos, recipientes fechados
Prateleiras da porta do compartimento do refrigerador	Pequenos alimentos embalados ou bebidas (tais como leite, sumo de frutas e cerveja)
Gaveta para frutos e legumes	Legumes e frutas
Compartimento de resfriamento	Carne e peixe a ser descongelado

## Substituição do módulo da luz interior

Para substituir o módulo de luz do seu frigorífico, contacte a Assistência técnica autorizada.

## O que se pode fazer para economizar energia

1. Não deixe as portas do seu frigorífico abertas por um longo tempo.
2. Não coloque alimentos ou bebidas quentes no seu frigorífico.

3. Não sobrecarregue o seu frigorífico para que a circulação do ar no interior não seja dificultada.

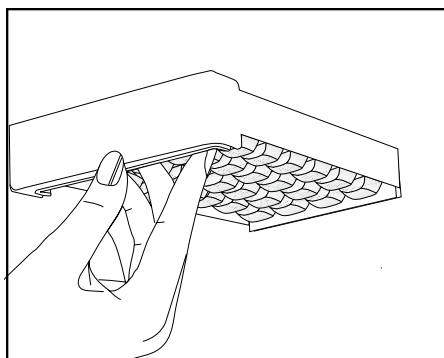
4. Não instale o seu frigorífico sob a luz solar directa ou próximo de aparelhos que emitem calor tais como fornos, máquinas de lavar louça ou radiadores.

5. Tenha o cuidado de manter os seus alimentos em recipientes fechados.

## Fazer gelo

Encha o reservatório para gelo com água e coloque-o no seu lugar devido. O seu gelo ficará pronto em cerca de duas horas.

Poderá retirar facilmente o seu gelo, descongelando levemente o reservatório para gelo.



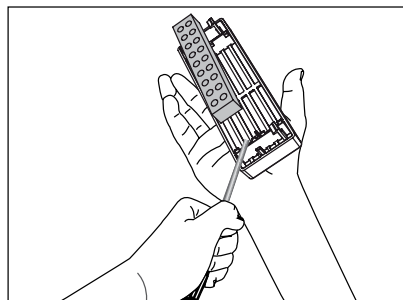
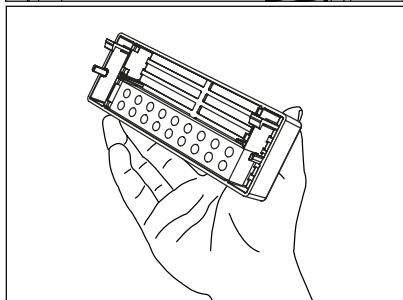
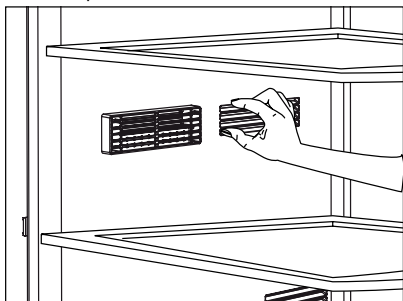
## Descrição e limpeza do filtro para odores:

\* OPCIONAL

O filtro para odores evita odores desagradáveis acumulados no seu frigorífico.

Puxe a tampa dentro da qual o filtro para odores está instalado, baixe e remova conforme ilustrado. Deixe o filtro exposto à luz solar durante um dia. O filtro será limpo durante este período. Coloque o filtro de volta no seu lugar.

O filtro para odores deverá ser limpo uma vez por ano.



## Icematic e reservatório de armazenamento de gelo

Usar o Icematic

\* Encha o Icematic com água e coloque-o no seu lugar devido. O seu gelo ficará pronto em cerca de duas horas. Não remova o Icematic depois que estiver acomodado para fazer gelo.

\* Rode o botão no sentido horário em 90 graus.

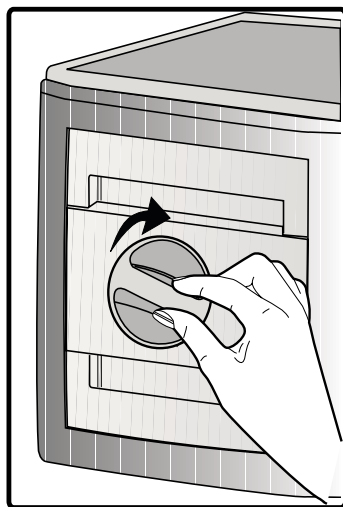
Os cubos de gelo nos compartimentos cairão dentro do reservatório para armazenamento do gelo situado abaixo.

\* Pode tirar o reservatório para armazenamento do gelo e se servir dos cubos de gelo.

\* Se desejar, pode manter os cubos de gelo no reservatório para gelo.

## Reservatório para armazenamento de gelo

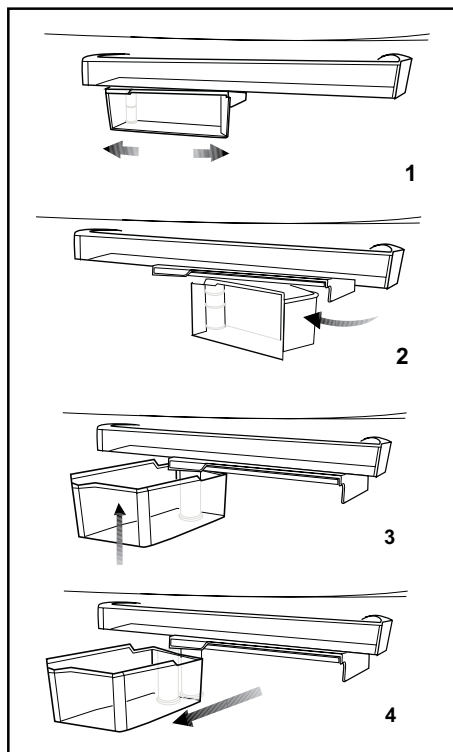
O reservatório para armazenamento do gelo está concebido apenas para acumular cubos de gelo. Não coloque água dentro dele. Caso contrário, quebrará.



## Reservatório de armazenamento giratório

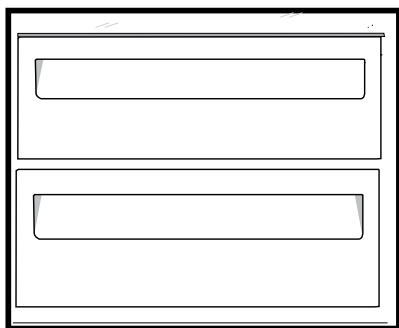
A prateleira de estrutura deslizante pode ser movida para a esquerda e para a direita para lhe permitir colocar garrafas compridas, jarras ou caixas numa prateleira mais baixa (Fig. 1)

Pode chegar aos alimentos que colocou dentro da prateleira agarrando e rodando-a a partir do seu rebordo direito (Fig. 2). Quando quiser carregar ou retirá-la para limpar, rode-a em 90 graus, levante-a e puxe-a para si (Fig. 3-4).



## Compartimento de temperatura zero

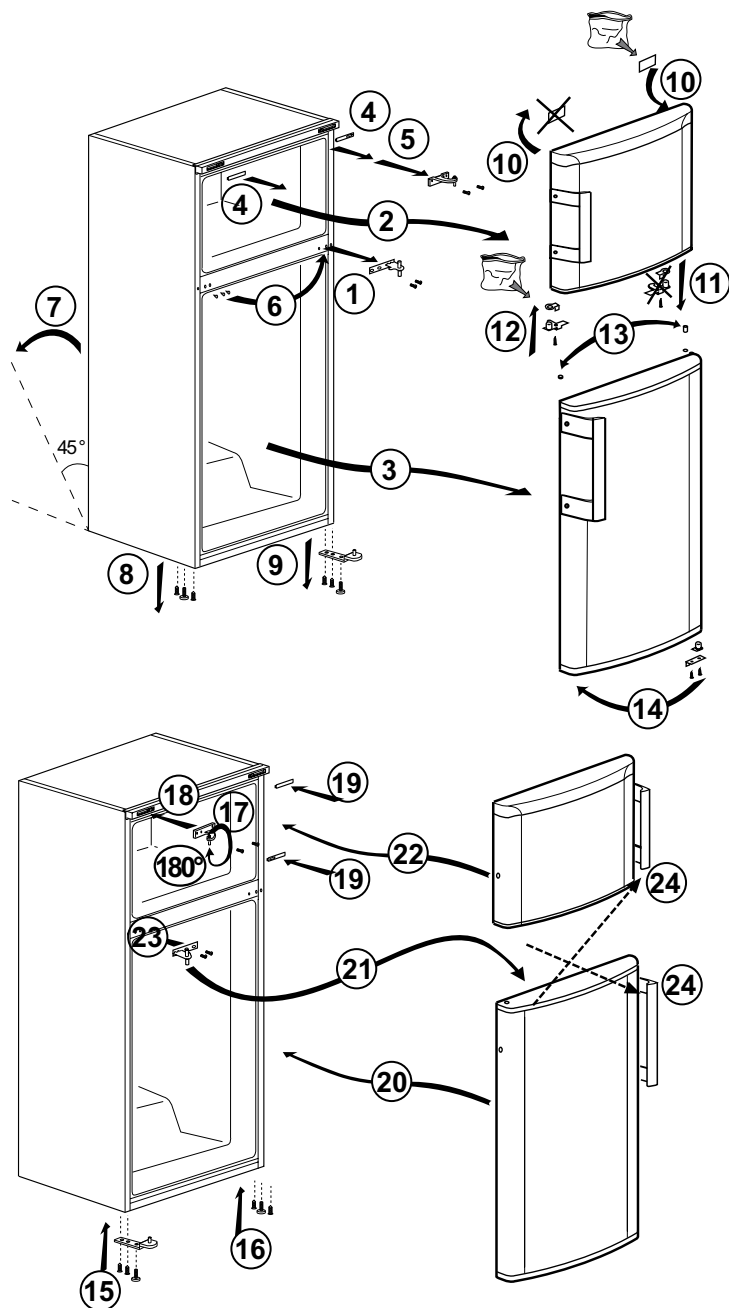
Este compartimento foi concebido para guardar alimentos congelados que devem ser descongelados lentamente (carne, peixe, frango, etc.) conforme necessário. O compartimento de temperatura zero é o lugar mais frio do seu frigorífico no qual produtos lácteos (queijo, manteiga), carne ou frango podem ser guardados em condições ideais de temperatura. Os legumes e/ou frutos não devem ser colocados neste compartimento.





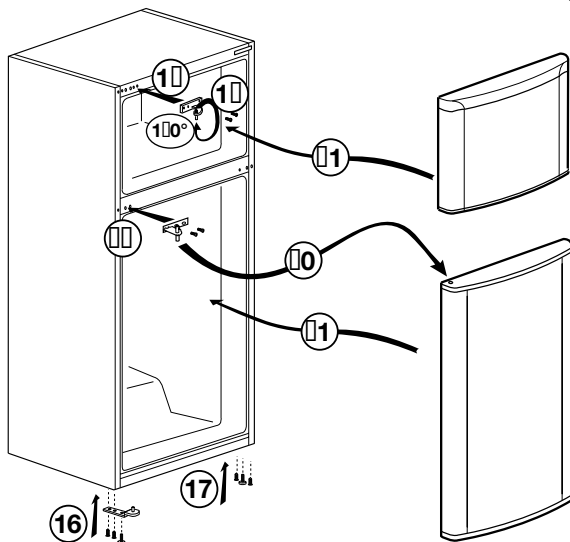
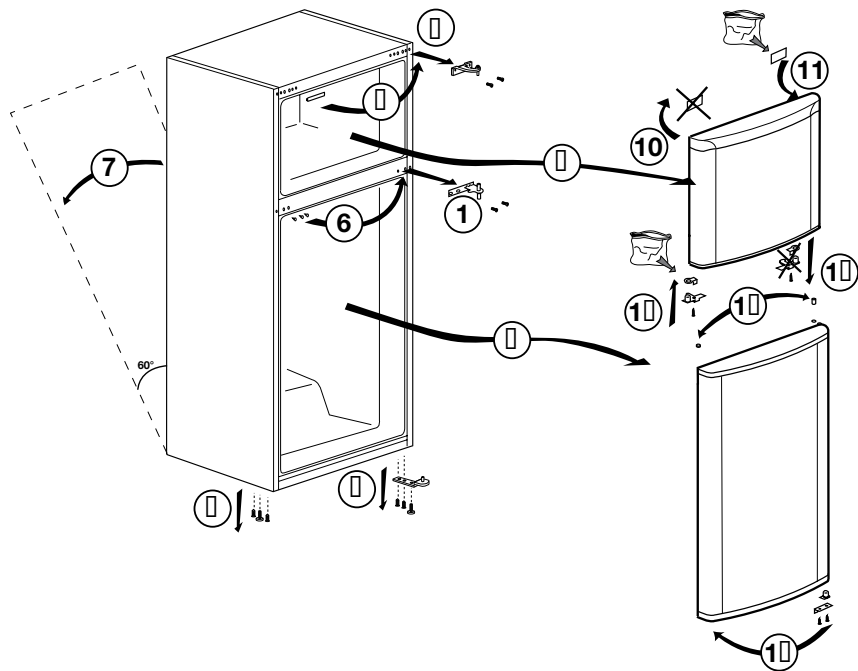
## Inverter a porta

Siga as instruções por ordem numérica



## Inverter a porta

Siga as instruções por ordem numérica



## 6 Manutenção e limpeza

- ⚠ Nunca use gasolina, benzeno ou substâncias semelhantes para a limpeza.
- ⚠ Recomendamos que desligue a ficha do equipamento da tomada antes da limpeza.
- ⚠ Nunca utilize na limpeza objectos abrasivos ou pontiagudos, sabões, produtos de limpeza doméstica, detergentes ou ceras abrillantadoras.
- ⚠ Para produtos não No Frost, gotas de água e uma congelação com a largura de um dedo podem ocorrer na parede posterior do compartimento do frigorífico. Não limpe; nunca aplique óleo ou agentes similares.
- ⚠ Utilize apenas panos macios de microfibra ligeiramente humedecidos para limpar a superfície do produto. Esponjas e outros tipos de panos de limpeza poderão riscar a superfície.
- ℹ Utilize água morna para limpar o exterior do seu frigorífico e seque-o com um pano.
- ℹ Utilize um pano humedecido numa solução composta por uma colher de chá de bicarbonato de soda dissolvido em cerca de meio litro de água para limpar o interior e depois seque-o.
- ⚠ Certifique-se de que não entra água no compartimento da lâmpada e nos outros itens eléctricos.
- ⚠ Se o seu frigorífico não for utilizado durante um longo período de tempo, remova o cabo de alimentação, retire todos os alimentos, limpe-o e deixe a porta entreaberta.
- ℹ Verifique regularmente as borrachas vedantes da porta, para se assegurar que elas estão limpas e sem restos de alimentos.
- ⚠ Para remover os suportes da porta, retire todo o seu conteúdo e, em seguida, basta empurrar cuidadosamente o seu suporte para cima a partir da base.
- ⚠ Nunca utilize agentes de limpeza ou água que contenha cloro para limpar as superfícies externas e as partes cromadas do produto. O cloro provoca a corrosão de tais superfícies metálicas.
- ⚠ Não usar ferramentas aguçadas e abrasivas ou sabão, agentes de limpeza doméstica, detergentes, gasolina, benzina, cera, etc., podem danificar os carimbos nas partes plásticas, que podem desaparecer ou ficarem deformadas. Usar água quente e um pano macio para limpar e secar com um pano seco.

### Protecção das superfícies plásticas

- ℹ Não coloque óleos líquidos ou comidas cozinhadas no óleo no seu frigorífico em recipientes abertos, uma vez que podem danificar as superfícies plásticas do seu frigorífico. No caso de derrame ou salpico de óleo nas superfícies plásticas, limpe e enxagúe a parte correspondente da superfície com água morna.

## 7 Soluções recomendadas para os problemas

Por favor, reveja esta lista antes de telefonar para a assistência. Com isso, pode poupar tempo e dinheiro. Esta lista abrange as reclamações frequentes resultantes de defeitos de fabricação ou utilização do material. Algumas das funções descritas aqui podem não existir no seu produto.

### O frigorífico não funciona

- O frigorífico tem a ficha eléctrica ligada correctamente à tomada? Introduza a ficha na tomada de parede.
- O fusível da tomada na qual o frigorífico está ligado ou o fusível principal não está queimado? Verifique o fusível.

### Condensação na parede lateral do compartimento do refrigerador (MULTIZONE, COOL CONTROL e FLEXI ZONE).

- Condições ambientais muito frias. Abertura e fecho frequentes da porta. Condições ambientais de alta humidade. Armazenamento de alimentos que contém líquidos em recipientes abertos. A porta foi deixada entreaberta. Comute o termóstato para um grau mais frio.
- Diminua o número de vezes de abertura da porta ou utilize menos frequentemente.
- Cubra os alimentos guardados em recipientes abertos com um material apropriado.
- Limpe a condensação usando um pano seco e verifique, se persistir.

### O compressor não está a funcionar.

- A protecção térmica do compressor deixará de funcionar durante falhas eléctricas repentinas ou na extracção/colocação da ficha eléctrica, já que a pressão refrigerante no sistema de arrefecimento do frigorífico ainda não se encontra estabilizada. O seu frigorífico voltará a funcionar aproximadamente 6 minutos depois. Por favor, chame a assistência se o frigorífico não começar a operar no fim deste período.

- O refrigerador está no ciclo de descongelação. Isto é normal num frigorífico de descongelação totalmente automático. O ciclo de descongelação ocorre periodicamente.

- O seu frigorífico não está ligado à tomada. Certifique-se de que a ficha está correctamente ligada à tomada.

- A regulação da temperatura está feita correctamente?

- A corrente deve ser desligada.

O refrigerador está a funcionar frequentemente ou por um longo tempo.

• O seu novo produto pode ser mais largo do que o anterior. Esta situação é perfeitamente normal. Os frigoríficos grandes operam por um período maior de tempo.

• A temperatura ambiente pode estar muito elevada. Esta situação é perfeitamente normal.

• O frigorífico foi ligado à tomada há pouco tempo ou carregado com alimentos. O arrefecimento total do frigorífico pode demorar mais do que duas horas.

• Podem ter sido colocadas recentemente grandes quantidades de alimentos quentes no frigorífico. Os alimentos quentes obrigam a um funcionamento mais vigoroso do frigorífico até que alcance a temperatura segura de armazenamento.

• As portas podem estar a ser abertas frequentemente ou foram deixadas entreabertas por longo tempo. O ar quente que entrou no frigorífico faz com que o mesmo tenha que funcionar por períodos mais longos. Abra as portas com menos frequência.

• A porta do compartimento do refrigerador ou do congelador pode ter sido deixada entreaberta. Verifique se as portas estão completamente fechadas.

• O frigorífico está ajustado para uma temperatura muito baixa. Ajuste a temperatura do frigorífico para um grau mais quente e aguarde até que a temperatura seja atingida.

• O vedante da porta do refrigerador ou do congelador pode estar sujo, gasto, roto ou não ajustado correctamente. Limpe ou substitua o vedante. O vedante danificado/roto faz com que o frigorífico funcione por um período de tempo maior para que mantenha a temperatura actual.

A temperatura do congelador está muito baixa, enquanto que a temperatura do refrigerador é suficiente.

• A temperatura do congelador está ajustada para uma temperatura muito baixa. Ajuste a temperatura do congelador para um grau mais quente e verifique.

A temperatura do refrigerador está muito baixa, enquanto que a temperatura do congelador é suficiente.

• A temperatura do refrigerador pode ter sido ajustada para uma temperatura muito baixa. Ajuste a temperatura do refrigerador para um grau mais quente e verifique.

Os alimentos guardados nas gavetas do compartimento do refrigerador estão congelados.

• A temperatura do refrigerador pode ter sido ajustada para uma temperatura muito baixa. Ajuste a temperatura do refrigerador para um grau mais quente e verifique.

A temperatura no refrigerador ou no congelador é muito alta.

• A temperatura do refrigerador pode ter sido ajustada para um grau muito alto. O ajuste do refrigerador tem efeito na temperatura do congelador. Altere a temperatura do refrigerador ou do congelador até que a temperatura do refrigerador ou do congelador atinja um nível suficiente.

• As portas podem estar a ser abertas frequentemente ou foram deixadas entreabertas por longo tempo; abra-as menos frequentemente.

• A porta poderá ter sido deixada entreaberta; feche-a completamente.

• Podem ter sido colocadas recentemente grandes quantidades de alimentos quentes no frigorífico. Aguarde até que o refrigerador ou o congelador atinja a temperatura desejada.

• O frigorífico pode ter sido ligado à tomada há pouco tempo. O total arrefecimento do frigorífico leva tempo.

O ruído de funcionamento aumenta quando o frigorífico está a funcionar.

• O desempenho de funcionamento do frigorífico pode variar devido às alterações na temperatura ambiente. Esta situação é normal e não é um problema.

#### Vibrações ou ruído.

• O piso não está nivelado ou não é resistente. O frigorífico balança quando deslocado lentamente. Certifique-se de que o piso é suficientemente forte para suportar o frigorífico, e nivelado.

• O ruído pode ser causado pelos itens colocados sobre o frigorífico. Os itens sobre o topo do frigorífico devem ser removidos.

#### Há ruídos que surgem do frigorífico como líquidos a verter ou gotejar.

• Os fluxos de gás e líquidos acontecem conforme os princípios de funcionamento do seu frigorífico. Esta situação é normal e não é um problema.

#### Há um ruído parecido com o vento a soprar.

• As ventoinhas são utilizadas para arrefecer o frigorífico. Esta situação é normal e não é um problema.

#### Condensação nas paredes internas do frigorífico.

• O tempo quente e húmido aumenta a formação de gelo e de condensação. Esta situação é normal e não é um problema.

• As portas poderão ter sido deixadas entreabertas; certifique-se que as mesmas estão completamente fechadas.

• As portas podem estar a ser abertas frequentemente ou foram deixadas entreabertas por longo tempo; abra-as menos frequentemente.

#### Há ocorrência de humidade no exterior do frigorífico ou entre as portas.

• Poderá existir humidade no ar; isto é bastante normal no tempo húmido. Quando a humidade for menor, a condensação irá desaparecer.

#### Maus odores dentro do frigorífico.

• O interior do frigorífico deve ser limpo. Limpe o interior do frigorífico com uma esponja, água morna ou água com gás.

• Alguns recipientes ou materiais de embalagem podem provocar cheiros. Utilize um recipiente diferente ou um material de embalagem de marca diferente.

#### A porta não está fechada.

• Os pacotes de alimentos podem impedir o fecho da porta. Coloque de outra forma as embalagens que estão a obstruir a porta.

• O frigorífico não está completamente na vertical no pavimento e balanceia quando ligeiramente movido. Ajuste os parafusos de elevação.

• O piso não é sólido ou não está nivelado. Certifique-se de que o piso está nivelado e capaz de suportar o frigorífico.

#### As gavetas para frutos e legumes estão bloqueadas.

• Os alimentos podem estar a tocar o tecto da gaveta. Arrume novamente os alimentos na gaveta.

#### Se A Superfície Do Produto Estiver Quente.

• Podem notar-se temperaturas elevadas entre as duas portas, nos painéis laterais e na grelha traseira quando o produto está a funcionar. Esta situação é normal e não exige serviço de manutenção!

## **Παρακαλούμε διαβάστε πρώτα το παρόν εγχειρίδιο!**

Αγαπητέ Πελάτη,

Ελπίζουμε ότι η συσκευή σας, που κατασκευάστηκε σε μοντέρνες εγκαταστάσεις και ελέγχθηκε με τις πιο αυστηρές διαδικασίες ελέγχου ποιότητας, θα σας προσφέρει αποδοτικά τις υπηρεσίες της.




Για το λόγο αυτό, συνιστούμε να διαβάσετε προσεκτικά όλο το εγχειρίδιο οδηγιών του προϊόντος σας πριν χρησιμοποιήσετε το προϊόν και κατόπιν να το φυλάξετε σε εύκολα προσπελάσιμο σημείο για μελλοντική αναφορά.

### **Το παρόν εγχειρίδιο**

- Θα σας βοηθήσει να χρησιμοποιήσετε τη συσκευή σας με γρήγορο και ασφαλή τρόπο.
- Διαβάστε το εγχειρίδιο πριν την εγκατάσταση και τη χρήση του προϊόντος σας.
- Ακολουθείτε τις οδηγίες και ιδιαίτερα αυτές που αφορούν την ασφάλεια.
- Φυλάξτε το εγχειρίδιο σε εύκολα προσπελάσιμο μέρος γιατί μπορεί να το χρειαστείτε αργότερα.
- Επιπλέον, διαβάστε και την υπόλοιπη τεκμηρίωση που συνοδεύει το προϊόν σας. Έχετε υπόψη σας ότι το παρόν εγχειρίδιο μπορεί να ισχύει και για άλλα μοντέλα.

### **Σύμβολα και οι περιγραφές τους**

Το παρόν εγχειρίδιο οδηγιών περιέχει τα εξής σύμβολα:

-  Σημαντικές πληροφορίες ή χρήσιμες συμβουλές για τη χρήση.
-  Προειδοποίηση για συνθήκες επικίνδυνες για τη ζωή και την περιουσία.
-  Προειδοποίηση για ηλεκτρική τάση.

**1 Το ψυγείο σας 3**

**2 Σημαντικές προειδοποιήσεις ασφαλείας 4**

Προβλεπόμενος σκοπός χρήσης..... 4  
 Για προϊόντα με διανομέα νερού:..... 8  
 Ασφάλεια των παιδιών..... 9  
 Προειδοποίηση HC (Για συσκευές Ψύξης - Θέρμανσης) ..... 9  
 Τι πρέπει να κάνετε για εξοικονόμηση ενέργειας ..... 9  
 Υποδείξεις για το χώρο νωπών τροφίμων ..... 10

**3 Εγκατάσταση 11**

Σημεία που πρέπει να προσέξετε κατά την εκ νέου μεταφορά του ψυγείου . 11  
 Πριν θέσετε σε λειτουργία το ψυγείο σας ..... 11  
 Διάθεση των υλικών συσκευασίας.. 12  
 Διάθεση του παλιού σας ψυγείου ... 12  
 Τοποθέτηση και εγκατάσταση ..... 12  
 Αντικατάσταση της λάμπας φωτισμού ..... 13  
 Ρύθμιση των ποδιών ..... 13

**4 Προετοιμασία 14**

**5 Χρήση του ψυγείου σας 15**

Κουμπί ρύθμισης θερμοκρασίας..... 15  
 Ρύθμιση της θερμοκρασίας του ψυγείου σας ..... 15  
 Διπλό σύστημα ψύξης ..... 15  
 Λειτουργία Διακοπών ..... 15  
 Διπλό σύστημα ψύξης: ..... 16  
 Κατάψυξη νωπών τροφίμων..... 16  
 Συμβουλές για τη διατήρηση κατεψυγμένων τροφίμων ..... 16  
 Τοποθέτηση των τροφίμων ..... 17  
 Πληροφορίες για τη Βαθιά Κατάψυξη ..... 17  
 Πώς να φτιάχνετε παγάκια..... 18  
 Χώρος θερμοκρασίας μηδέν βαθμών..... 18  
 Περιγραφή και καθαρισμός του φίλτρου οσμών: ..... 18  
 Σύστημα Icematic και δοχείο φύλαξης πάγου ..... 19  
 Περιστροφικό δοχείο φύλαξης ..... 19  
 Αντιστροφή της φοράς ανοίγματος των πορτών ..... 20  
 Αντιστροφή της φοράς ανοίγματος των πορτών ..... 21

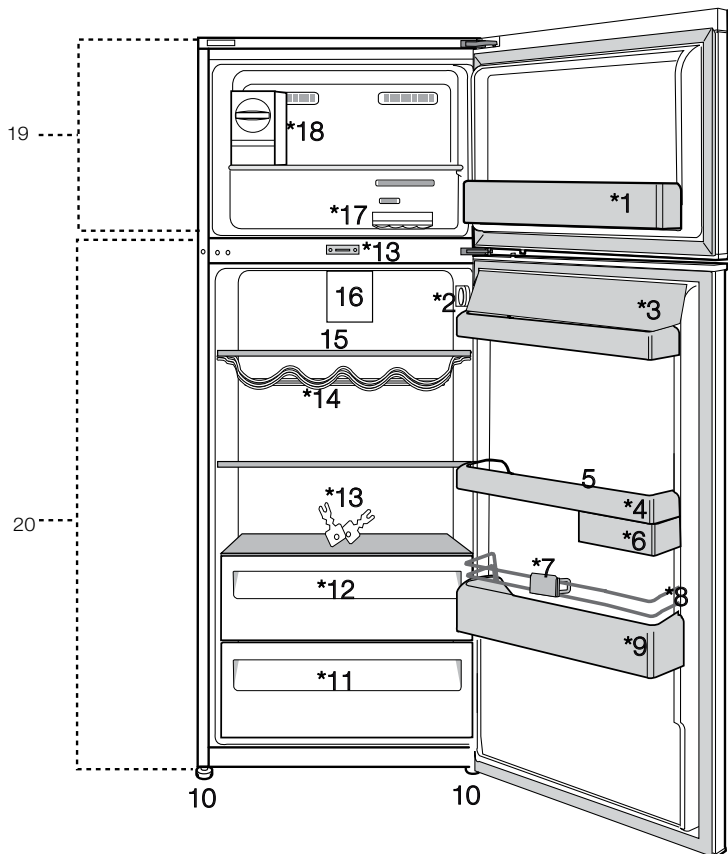
**6 Συντήρηση και καθαρισμός 22**

Προστασία των πλαστικών επιφανειών ..... 22

**7 Συνιστώμενες λύσεις για προβλήματα 23**



# 1 Το ψυγείο σας



- 1.Ράφι πόρτας χώρου κατάψυξης
- 2.Κουμπί ρύθμισης θερμοκρασίας
- 3.Τμήματα για βούτυρο & τυρί
- 4.Ράφι πόρτας χώρου συντήρησης
- 5.Αυγοθήκες
- 6.Περιστροφικό δοχείο φύλαξης
- 7.Στήριγμα μπουκαλιών
- 8.Προστατευτικό σύρμα
- 9.Ράφι μπουκαλιών
- 10.Ρυθμιζόμενα πόδια

- 11.Συρτάρι λαχανικών
  - 12.Χώρος Έντονης Ψύξης
  13. πλήκτρο
  - 14.Υποδοχές μπουκαλιών κρασιού
  15. Γυάλινα ράφια χώρου συντήρησης
  - 16.Ανεμιστήρας
  - 17.Δοχείο πάγου
  - 18.Icematic – Αυτόματο σύστημα πάγου
  - 19.Χώρος Κατάψυξης
  - 20.Χώρος συντήρησης
- \*προαιρε.**




Οι εικόνες σ' αυτό το εγχειρίδιο οδηγιών είναι σχηματικές και ενδέχεται να μην ανταποκρίνονται ακριβώς στο προϊόν σας. Αν ορισμένα τμήματα δεν περιλαμβάνονται στο προϊόν που έχετε προμηθευτεί, τότε ισχύουν για άλλα μοντέλα.

## 2 Σημαντικές προειδοποιήσεις ασφαλείας

Παρακαλούμε να μελετήσετε τις πληροφορίες που ακολουθούν. Η μη τήρηση αυτών των πληροφοριών μπορεί να γίνει αιτία τραυματισμών ή υλικών ζημιών. Αν δεν το κάνετε αυτό, θα καταστεί άκυρη κάθε εγγύηση και κάθε δέσμευση περί αξιοπιστίας.

Γνήσια ανταλλακτικά θα είναι διαθέσιμα για 10 έτη από την ημερομηνία αγοράς του προϊόντος.

### Προβλεπόμενος σκοπός χρήσης

	<b>ΠΡΟΣΟΧΗ:</b> βεβαιωθείτε ότι οι οπές εξαερισμού δεν είναι κλεισμένοι όταν η συσκευή είναι στη δική συσκευασία της και όταν είναι εγκατεστημένη.
	<b>ΠΡΟΣΟΧΗ:</b> Για να επιταχυνθεί η λειτουργία απόψυξης, παρακαλούμε να μη χρησιμοποιείτε κανένα άλλο μηχανικό ή άλλο εξοπλισμό εκτός από τα οποία που συνιστώνται από τον κατασκευαστή.
	<b>ΠΡΟΣΟΧΗ:</b> Μην καταστρέψετε το ψυκτικό κύκλωμα.



### ΠΡΟΣΟΧΗ:

Μην χρησιμοποιείτε ηλεκτρικές συσκευές που δεν συνιστώνται από τον κατασκευαστή στους χώρους αποθήκευσης τροφίμων.

Αυτή η συσκευή έχει σχεδιαστεί για χρήση στο σπίτι ή στις παρακάτω περιοχές εφαρμογής

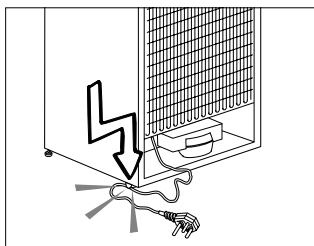
- Μπορεί να χρησιμοποιηθεί στις κουζίνες των γραφείων, μαγαζιών και των άλλων των εργασιακών περιβαλλόντων,
- Μπορεί να χρησιμοποιηθεί από τους πελάτες στα αγρόκτηματα, ξενοδοχεία, μοτέλ και στα άλλα περιβάλλοντα καταλύματος,

### Γενικές οδηγίες ασφαλείας

- Όταν θέλετε να πετάξετε ως άχρηστο ή να ανακυκλώσετε το προϊόν, συνιστούμε για τις απαιτούμενες πληροφορίες να συμβουλευτείτε το εξουσιοδοτημένο σέρβις ή τους αρμόδιους φορείς.
- Να συμβουλευέστε το εξουσιοδοτημένο σέρβις για όλες τις ερωτήσεις και προβλήματα σχετικά με το ψυγείο. Μην επεμβαίνετε και μην αφήνετε οποιονδήποτε άλλον να επέμβει στο ψυγείο χωρίς να ειδοποιήσετε το εξουσιοδοτημένο σέρβις.

- Για προϊόντα με χώρο κατάψυξης: Μην καταναλώνετε παγωτό και παγοκύβους αμέσως μόλις τα βγάλετε από το χώρο της κατάψυξης! (Αυτό μπορεί να προκαλέσει κρουσπαγήματα στο στόμα σας).
- Για προϊόντα με χώρο κατάψυξης: Μην τοποθετείτε στην κατάψυξη ποτά ή αναψυκτικά σε μπουκάλια ή μεταλλικά κουτιά. Αλλιώς, υπάρχει κίνδυνος να σκάσουν.
- Μην αγγίζετε τα παγωμένα τρόφιμα με τα χέρια, γιατί μπορεί να κολλήσουν στο χέρι σας.
- Αποσυνδέετε το ψυγείο από την πρίζα πριν τον καθαρισμό ή την απόψυξη.
- Δεν πρέπει να χρησιμοποιείτε ποτέ ατμό και ατμοποιημένα καθαριστικά υλικά στις διαδικασίες καθαρισμού και απόψυξης του ψυγείου σας. Σε τέτοιες περιπτώσεις, ο ατμός μπορεί να έλθει σε επαφή με τα ηλεκτρικά εξαρτήματα και να γίνει η αιτία βραχυκυκλώματος ή ηλεκτροπληξίας.
- Ποτέ μη χρησιμοποιείτε εξαρτήματα του ψυγείου σας, όπως η πόρτα, ως μέσο στήριξης ή ως σκαλοπάτι.
- Μη χρησιμοποιείτε ηλεκτρικές συσκευές στο εσωτερικό του ψυγείου.
- Μη προξενήσετε ζημιά με εργαλεία διάτρησης ή κοπής στα μέρη της συσκευής όπου κυκλοφορεί το ψυκτικό μέσο. Το ψυκτικό μέσο που μπορεί να εκτιναχθεί αν τρυπήσουν οι διόδους αερίου του εξατμιστήρα, των επεκτάσεων σωλήνων ή των επιφανειακών επικαλύψεων, προκαλεί ερεθισμό στο δέρμα και τραυματισμό στα μάτια.
- Μην καλύπτετε και μην φράσσετε με οποιοδήποτε υλικό τα ανοίγματα αερισμού του ψυγείου σας.
- Οι επισκευές σε ηλεκτρικές συσκευές πρέπει να διεξάγονται μόνο από εξουσιοδοτημένο προσωπικό. Οι επισκευές που γίνονται από αναρμόδια άτομα δημιουργούν κινδύνους για το χρήστη.
- Σε περίπτωση οποιασδήποτε βλάβης ή κατά τη διάρκεια των εργασιών συντήρησης ή επισκευών, να αποσυνδέετε το ψυγείο από την παροχή ηλεκτρικού ρεύματος είτε απενεργοποιώντας τον αντίστοιχο ασφαλειοδιακόπτη είτε βγάζοντας το φως από την πρίζα.
- Για την αποσύνδεση του φως μην τραβάτε το καλώδιο.
- Βεβαιωθείτε ότι τα υψηλού βαθμού αλκοολούχα ποτά αποθηκεύονται με ασφάλεια με το καπάκι στερεωμένο και τοποθετημένο σε όρθια θέση.
- Ποτέ μην αποθηκεύετε στο ψυγείο μπουκάλια σπρέι που περιέχουν εύφλεκτες και εκρηκτικές ουσίες.
- Μη χρησιμοποιείτε μηχανικές διατάξεις ή άλλα μέσα για να

- επιταχύνετε τη διαδικασία της απόψυξης, εκτός από τα μέσα που συνιστά ο κατασκευαστής.
- Το προϊόν αυτό δεν προορίζεται για χρήση από άτομα με σωματικά, αισθητηριακά ή διανοητικά προβλήματα ή από άτομα με έλλειψη εμπειρίας (περιλαμβανομένων παιδιών), εκτός αν τα άτομα βρίσκονται υπό την επίβλεψη ατόμου που θα είναι υπεύθυνο για την ασφάλειά τους ή που θα τα καθοδηγήσει όπως απαιτείται για τη χρήση του προϊόντος
  - Μη χρησιμοποιήσετε το ψυγείο αν έχει υποστεί βλάβη ή ζημιά. Αν έχετε οποιαδήποτε αμφιβολία συμβουλευτείτε τον αντιπρόσωπο σέρβις.
  - Η ηλεκτρική ασφάλεια του ψυγείου σας θα είναι εγγυημένη μόνον αν το σύστημα γείωσης του σπιτιού σας συμμορφώνεται με τα ισχύοντα πρότυπα.
  - Η έκθεση του προϊόντος σε βροχή, χιόνι, ήλιο και άνεμο δημιουργεί κινδύνους σε σχέση με την ασφάλεια με το ηλεκτρικό ρεύμα.
  - Αν υπάρχει ζημιά στο καλώδιο ρεύματος, για την αποφυγή κινδύνου επικοινωνήστε με το εξουσιοδοτημένο σέρβις.
  - Σε καμία περίπτωση μη συνδέσετε το ψυγείο στην πρίζα κατά τη διάρκεια της εγκατάστασης. Αλλιώς, μπορεί να δημιουργηθεί κίνδυνος θανάτου ή σοβαρού τραυματισμού.
  - Το ψυγείο αυτό προορίζεται αποκλειστικά για τη φύλαξη τροφίμων. Δεν πρέπει να χρησιμοποιηθεί για οποιοδήποτε άλλο σκοπό.
  - Η ετικέτα τεχνικών προδιαγραφών βρίσκεται πάνω στο αριστερό τοίχωμα στο εσωτερικό του ψυγείου.
  - Ποτέ μη συνδέσετε το ψυγείο σας σε συστήματα εξοικονόμησης ενέργειας, γιατί αυτά μπορεί να προκαλέσουν ζημιά στο ψυγείο.
  - Αν το ψυγείο σας διαθέτει μπλε φως, μην κοιτάζετε το μπλε φως μέσω οπτικών διατάξεων.
  - Για ψυγεία με μη αυτόματο σύστημα ελέγχου, μετά από διακοπή ρεύματος περιμένετε τουλάχιστον 5 λεπτά πριν θέσετε πάλι το ψυγείο σε λειτουργία.
  - Σε περίπτωση μεταβίβασης, το παρόν εγχειρίδιο χρήσης θα πρέπει να παραδοθεί στον καινούριο ιδιοκτήτη του προϊόντος.
  - Αποφύγετε την πρόκληση ζημιάς στο καλώδιο ρεύματος όταν μεταφέρετε το ψυγείο. Αν το καλώδιο τσακίσει μπορεί να προκληθεί πυρκαγιά. Ποτέ μην τοποθετείτε βαριά αντικείμενα πάνω στο καλώδιο ρεύματος. Μην αγγίζετε το φως με υγρά χέρια όταν συνδέετε το προϊόν στην πρίζα.

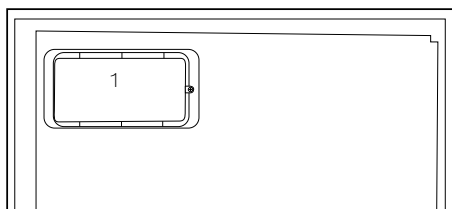
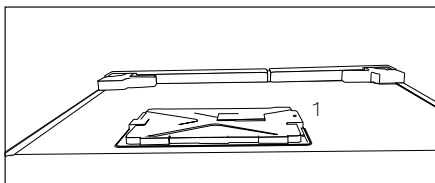


- Όταν τοποθετείτε τη συσκευή, βεβαιωθείτε ότι το καλώδιο ρεύματος δεν θα μαγκωθεί και δεν θα υποστεί ζημιά.
- Μην τοποθετείτε πολύπριζα ή φορητά τροφοδοτικά πίσω από τη συσκευή.
- Παιδιά ηλικίας από 3 έως 8 ετών επιτρέπεται να εναποθέτουν και να αποσύρουν φαγώσιμα από ψυκτικές οικιακές συσκευές.
- Για την αποφυγή μόλυνσης των τροφίμων, παρακαλούμε να τηρείτε τις εξής οδηγίες:
- Το άνοιγμα της πόρτας για μεγάλα χρονικά διαστήματα μπορεί να προκαλέσει σημαντική αύξηση της θερμοκρασίας στα διαμερίσματα της συσκευής.
- Να καθαρίζετε τακτικά τις επιφάνειες που μπορεί να έρθουν σε επαφή με τρόφιμα, καθώς και τα προσπελάσιμα συστήματα αποστράγγισης.
- Να καθαρίζετε τα δοχεία νερού αν δεν έχουν χρησιμοποιηθεί για 48 ώρες. Να ξεπλένετε το σύστημα νερού που συνδέεται σε παροχή νερού αν δεν έχει καταναλωθεί νερό για 5 ημέρες.
- Να φυλάσσετε το ωμό κρέας και ψάρια σε κατάλληλα δοχεία μέσα στο ψυγείο, ώστε να μην έρχονται σε επαφή με φαγητά και να μη στάζουν πάνω σε αυτά.
- Τα διαμερίσματα δύο αστέρων για κατεψυγμένα τρόφιμα είναι κατάλληλα για φύλαξη προ-κατεψυγμένων τροφίμων, για φύλαξη ή παρασκευή παγωτού και για παρασκευή παγοκύβων.
- Τα διαμερίσματα ενός, δύο και τριών αστέρων δεν είναι κατάλληλα για την κατάψυξη νωπών τροφίμων.
- Αν η ψυκτική οικιακή συσκευή μείνει κενή για μεγάλα χρονικά διαστήματα, απενεργοποιήστε τη, κάντε απόψυξη, καθαρίστε τη, στεγνώστε τη και αφήστε την πόρτα ανοικτή ώστε να αποφύγετε την ανάπτυξη μούχλας εντός της συσκευής.
- Μη συνδέσετε το ψυγείο σε πρίζα που δεν είναι καλά στερεωμένη στη θέση της.
- Για λόγους ασφαλείας, δεν πρέπει ποτέ να πιτσιλίζετε νερό απ' ευθείας σε εσωτερικά ή εξωτερικά μέρη του προϊόντος.
- Για να αποφύγετε τον κίνδυνο πυρκαγιάς και έκρηξης, μην ψεκάζετε κοντά στο ψυγείο υλικά που περιέχουν εύφλεκτα αέρια όπως προτάνιο κ.λ.π.
- Ποτέ μην τοποθετείτε πάνω στο ψυγείο δοχεία που περιέχουν νερό, γιατί μπορεί να προκληθεί ηλεκτροπληξία ή πυρκαγιά.

- Μην υπερφορτώνετε το ψυγείο με υπερβολική ποσότητα τροφίμων. Αν υπερφορτωθεί το ψυγείο, όταν ανοίγετε την πόρτα τα τρόφιμα μπορεί να πέσουν και να σας κτυπήσουν ή να προξενήσουν ζημιά στο ψυγείο. Ποτέ μην τοποθετείτε αντικείμενα πάνω στο ψυγείο. Διαφορετικά μπορεί να πέσουν όταν ανοίγετε ή κλείνετε την πόρτα του ψυγείου.
- Επειδή για τη φύλαξη τους απαιτούνται ακριβείς συνθήκες θερμοκρασίας, δεν πρέπει να φυλάσσονται στο ψυγείο εμβόλια, φάρμακα ευαίσθητα στη θερμοκρασία, επιστημονικά υλικά κλπ.
- Το ψυγείο θα πρέπει να αποσυνδέεται από το ρεύμα αν δεν πρόκειται να χρησιμοποιηθεί για μεγάλο χρονικό διάστημα. Ένα ενδεχόμενο πρόβλημα στο καλώδιο ρεύματος μπορεί να προκαλέσει πυρκαγιά.
- Το ψυγείο μπορεί να μετακινηθεί αν τα ρυθμιζόμενα πόδια δεν έχουν ρυθμιστεί ώστε να έχουν σταθερή επαφή με το δάπεδο. Η σωστή στερέωση των ρυθμιζόμενων ποδιών στο δάπεδο μπορεί να αποτρέψει τη μετακίνηση του ψυγείου.
- Όταν μεταφέρετε το ψυγείο μην το κρατάτε από τη λαβή της πόρτας. Διαφορετικά, αυτή μπορεί να σπάσει.
- Όταν χρειαστεί να εγκαταστήσετε το ψυγείο

σας δίπλα σε άλλο ψυγείο ή καταψύκτη, η απόσταση ανάμεσα στις συσκευές θα πρέπει να είναι τουλάχιστον 8 εκ. Διαφορετικά, μπορεί να σχηματιστεί υγρασία στα γειτονικά πλευρικά τοιχώματα.

- Σε καμία περίπτωση μη χρησιμοποιήσετε το προϊόν αν είναι ανοικτό το τμήμα στο πάνω ή πίσω μέρος του προϊόντος που περιέχει τις πλακέτες τυπωμένων κυκλωμάτων (κάλυμμα τυπωμένων κυκλωμάτων) (1).



#### Για προϊόντα με διανομέα νερού:

- Η μέγιστη πίεση για την είσοδο κρύου νερού θα είναι 90 psi (620 kPa). Αν η πίεση νερού υπερβαίνει τα 80 psi (550 kPa), χρησιμοποιήστε μια βαλβίδα περιορισμού πίεσης στο σύστημα παροχής νερού σας. Αν δεν γνωρίζετε πώς να ελέγξετε την πίεση νερού, ζητήστε τη βοήθεια επαγγελματία υδραυλικού.

- Αν υπάρχει κίνδυνος φαινομένου υδραυλικού πλήγματος (απότομης μεταβολής πίεσης του νερού) στην εγκατάστασή σας, πάντα να χρησιμοποιείτε στην εγκατάσταση εξοπλισμό αποτροπής του υδραυλικού πλήγματος. Συμβουλευτείτε επαγγελματίες υδραυλικούς αν δεν είστε σίγουροι ότι δεν υπάρχει φαινόμενο υδραυλικού πλήγματος στην εγκατάστασή σας.
- Μην εγκαταστήσετε στην είσοδο ζεστού νερού. Λάβετε μέτρα προφύλαξης έναντι του κινδύνου να παγώσουν οι εύκαμπτοι σωλήνες. Η περιοχή θερμοκρασιών νερού λειτουργίας είναι από ελάχιστη 0,6 °C (33 °F) έως μέγιστη 38 °C (100 °F).
- Χρησιμοποιείτε μόνο πόσιμο νερό.

#### **Ασφάλεια των παιδιών**

- Αν το ψυγείο σας διαθέτει κλειδαριά, πρέπει να φυλάτε το κλειδί μακριά από παιδιά.
- Τα παιδιά πρέπει να βρίσκονται υπό επίβλεψη ώστε να μην επεμβαίνουν στο προϊόν.

#### **Προειδοποίηση HC (Για συσκευές Ψύξης - Θέρμανσης) Αν το ψυκτικό σύστημα της συσκευής σας περιέχει R600a:**

Το αέριο αυτό είναι εύφλεκτο. Για το λόγο αυτό, προσέχετε να μην προκληθεί ζημιά στο ψυκτικό σύστημα και τις σωληνώσεις του κατά τη χρήση και τη μεταφορά της συσκευής.

Σε περίπτωση ζημιάς, κρατήστε τη συσκευή σας μακριά από ενδεχόμενες πηγές φωτιάς οι οποίες μπορούν να κάνουν το προϊόν να πιάσει φωτιά και αερίστε το χώρο στον οποίο είναι τοποθετημένη η μονάδα.

#### **Αγνοήστε αυτή την προειδοποίηση αν το ψυκτικό σύστημα της συσκευής σας περιέχει R134a.**

Ο τύπος αερίου που χρησιμοποιείται στο προϊόν αναφέρεται στην πινακίδα στοιχείων η οποία βρίσκεται πάνω στο αριστερό τοίχωμα στο εσωτερικό του ψυγείου. Σε καμία περίπτωση μην πετάξετε το προϊόν σε φωτιά.

#### **Τι πρέπει να κάνετε για εξοικονόμηση ενέργειας**

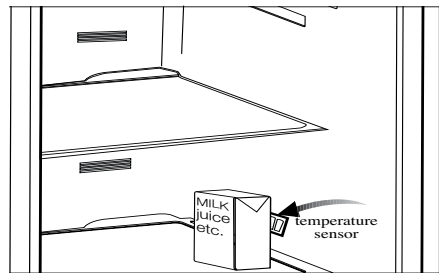
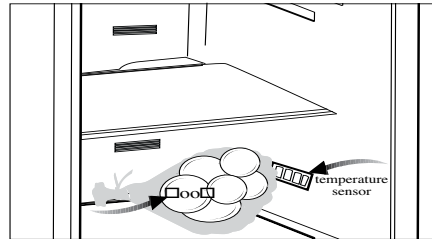
- Μην αφήνετε τις πόρτες του ψυγείου σας ανοικτές για μεγάλο χρονικό διάστημα.
- Μην τοποθετείτε ζεστά φαγητά ή ποτά στο ψυγείο σας.
- Μην υπερφορτώνετε το ψυγείο σας, ώστε να μην εμποδίζεται η κυκλοφορία αέρα στο εσωτερικό του.
- Μην τοποθετείτε το ψυγείο σας σε απ' ευθείας ηλιακό φως ή κοντά σε συσκευές που εκπέμπουν θερμότητα όπως φούρνους, πλυντήρια πιάτων ή σώματα θέρμανσης.
- Φροντίζετε να διατηρείτε τα τρόφιμα σε κλειστά δοχεία.
- Για προϊόντα με χώρο κατάψυξης: Μπορείτε να φυλάξετε τη μέγιστη ποσότητα τροφίμων στην κατάψυξη όταν αφαιρέσετε το ράφι ή

το συρτάρι της κατάψυξης. Η αναφερόμενη τιμή κατανάλωσης ενέργειας για το ψυγείο σας προσδιορίστηκε ενώ είχε αφαιρεθεί το ράφι ή το συρτάρι της κατάψυξης και με το μέγιστο φορτίο τροφίμων. Δεν υπάρχει πρόβλημα από τη χρήση ραφίου ή συρταριού ανάλογα με τα σχήματα και τα μεγέθη των τροφίμων που πρόκειται να καταψυχθούν.

- Η απόψυξη των κατεψυγμένων τροφίμων στο χώρο συντήρησης θα παρέχει και εξοικονόμηση ενέργειας και καλύτερη διατήρηση της ποιότητας των τροφίμων.

## Υποδείξεις για το χώρο νωπών τροφίμων \* ΠΡΟΑΙΡ.

- Μην αφήνετε τρόφιμα να έρθουν σε επαφή με τον αισθητήρα θερμοκρασίας στο χώρο νωπών τροφίμων. Για να διατηρήσετε το χώρο νωπών τροφίμων σε ιδανική θερμοκρασία αποθήκευσης, ο αισθητήρας δεν πρέπει να εμποδίζεται από τρόφιμα.
- Μην τοποθετείτε ζεστά τρόφιμα μέσα στη συσκευή.





### 3 Εγκατάσταση

⚠ Παρακαλούμε να θυμάστε ότι δεν θα θεωρείται υπεύθυνος ο κατασκευαστής αν δεν τηρηθούν οι πληροφορίες που δίνονται στο εγχειρίδιο οδηγιών.

#### Σημεία που πρέπει να προσέξετε κατά την εκ νέου μεταφορά του ψυγείου

1. Θα πρέπει να αδειάσετε και να καθαρίσετε το ψυγείο σας πριν από οποιαδήποτε μεταφορά.
2. Πριν τοποθετήσετε πάλι το ψυγείο στη συσκευασία του, τα ράφια, τα αξεσουάρ, το συρτάρι λαχανικών κλπ. θα πρέπει να στερεωθούν με χρήση κολλητικής ταινίας για προστασία από τα τραντάγματα.
3. Η συσκευασία θα πρέπει να ασφαλιστεί με ταινίες κατάλληλου πάχους και γερά σχοινιά και θα πρέπει να ακολουθούνται οι κανόνες μεταφοράς που είναι τυπωμένοι στο κιβώτιο.

#### Μην ξεχνάτε...

Κάθε υλικό που ανακυκλώνεται είναι μια απαραίτητη πηγή υλικών προς όφελος της φύσης και των εθνικών μας πόρων. Αν επιθυμείτε να συμβάλετε στην ανακύκλωση των υλικών συσκευασίας, μπορείτε να πάρετε περισσότερες πληροφορίες από τους περιβαλλοντικούς φορείς ή τις τοπικές αρχές.

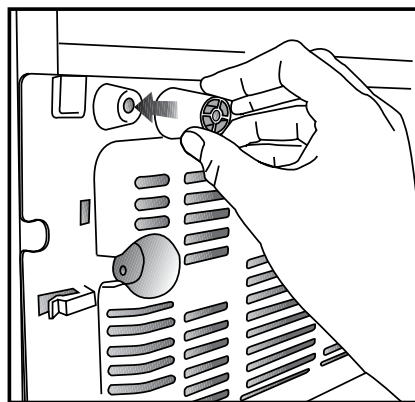
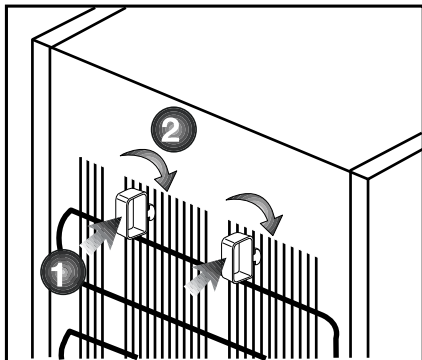
#### Πριν θέσετε σε λειτουργία το ψυγείο σας

Πριν αρχίσετε να χρησιμοποιείτε το ψυγείο σας ελέγξτε τα εξής:

Καθαρίστε το εσωτερικό του ψυγείου όπως συνιστάται στην ενότητα "Συντήρηση και καθαρισμός".

Συνδέστε το ψυγείο στην πρίζα στον τοίχο. Όταν ανοιχτεί η πόρτα, το εσωτερικό φως στο χώρο συντήρησης θα ανάψει.

Οι μπροστινές ακμές του ψυγείου μπορεί να είναι θερμές στο άγγιγμα. Αυτό είναι φυσιολογικό. Οι περιοχές αυτές έχουν σχεδιαστεί να είναι θερμές ώστε να αποφεύγεται η συμπύκνωση.



1. Είναι το εσωτερικό του ψυγείου στεγνό και μπορεί ο αέρας να κυκλοφορεί ανεμπόδιστα στο πίσω του μέρος;
2. Εισάγετε τις 2 πλαστικές σφήνες στο πίσω σύστημα αερισμού, όπως δείχνει η ακόλουθη εικόνα. Οι πλαστικές σφήνες θα παρέχουν την απαιτούμενη απόσταση ανάμεσα στο ψυγείο σας και τον τοίχο ώστε να επιτρέπεται η κυκλοφορία του αέρα.
3. Καθαρίστε το εσωτερικό του ψυγείου όπως συνιστάται στην ενότητα "Συντήρηση και καθαρισμός".

#### Ηλεκτρική σύνδεση

Συνδέστε τη συσκευή σας σε γειωμένη πρίζα η οποία προστατεύεται από ασφάλεια κατάλληλης ονομαστικής τιμής ρεύματος.

Σημαντική παρατήρηση:

- Η σύνδεση πρέπει να συμμορφώνεται με τους εθνικούς κανονισμούς.
- Το φως του καλώδιου ρεύματος πρέπει να είναι εύκολα προσπελάσιμο μετά την εγκατάσταση.
- Η καθοριζόμενη ηλεκτρική τάση πρέπει να είναι ίδια με την τάση ρεύματος του δικτύου σας.
- Δεν πρέπει να χρησιμοποιούνται καλώδια προέκτασης και πολύπριζα για τη σύνδεση στο ρεύμα.

⚠ Αν ένα καλώδιο ρεύματος έχει υποστεί ζημιά, αυτό πρέπει να αντικατασταθεί από αδειούχο ειδικό τεχνικό.

⚠ Δεν επιτρέπεται η λειτουργία της συσκευής πριν την επισκευή! Υπάρχει κίνδυνος ηλεκτροπληξίας!

## Διάθεση των υλικών συσκευασίας

Τα υλικά συσκευασίας μπορεί να είναι επικίνδυνα για τα παιδιά. Κρατάτε τα υλικά συσκευασίας μακριά από παιδιά ή πετάξτε τα αφού τα διαχωρίσετε ανάλογα με τις οδηγίες για απόβλητα. Μην τα πετάξετε μαζί με τα κοινά οικιακά απορρίμματα.

Η συσκευασία του ψυγείου σας έχει παραχθεί από ανακυκλώσιμα υλικά.

## Διάθεση του παλιού σας ψυγείου

Απορρίψτε το παλιό σας ψυγείο με τρόπο φιλικό προς το περιβάλλον.

- Σχετικά με τον τρόπο απόρριψης του ψυγείου σας μπορείτε να συμβουλευτείτε τον εξουσιοδοτημένο έμπορο που συνεργάζεστε ή τις δημοτικές σας αρχές.

Πριν πετάξετε το ψυγείο σας, κόψτε το καλώδιο ρεύματος, και, αν υπάρχουν κλειδαριές σε πόρτες, καταστήστε τις μη λειτουργικές, για την προστασία των παιδιών από οποιονδήποτε κίνδυνο.

## Τοποθέτηση και εγκατάσταση

⚠ Αν η πόρτα εισόδου του χώρου όπου θα τοποθετηθεί το ψυγείο δεν είναι αρκετά πλατιά για να περάσει το ψυγείο, τότε καλέστε το εξουσιοδοτημένο σέρβις για να αφαιρέσει την πόρτα του ψυγείου σας και να το περάσει μέσα από την πόρτα με το πλάι.

1. Εγκαταστήστε το ψυγείο σε θέση που προσφέρει ευκολία στη χρήση.
2. Κρατήστε το ψυγείο σας μακριά από πηγές θερμότητας, μέρη με υγρασία και από απ' ευθείας ηλιακό φως.
3. Πρέπει να υπάρχει επαρκής κυκλοφορία αέρα γύρω από το ψυγείο σας για να επιτυγχάνεται αποδοτική λειτουργία. Αν το ψυγείο πρέπει να τοποθετηθεί σε εσοχή στον τοίχο, θα πρέπει να υπάρχει ελάχιστη απόσταση 5 εκ. από το ταβάνι και 5 εκ. από τον τοίχο. Αν το πάτωμα είναι καλυμμένο με χαλί, το προϊόν σας θα πρέπει να ανυψωθεί κατά 2,5 εκ. από το δάπεδο.
4. Τοποθετήστε το ψυγείο σας σε δάπεδο με επίπεδη επιφάνεια για να αποφευχθούν τα τραντάγματα.

- Ο συμπυκνωτής της συσκευής σας βρίσκεται στο πίσω μέρος όπως φαίνεται παρακάτω. Για να επιτύχετε καλύτερη ενεργειακή απόδοση με μικρότερη κατανάλωση ενέργειας, τραβήξτε το συμπυκνωτή προς το μέρος σας όπως φαίνεται στην παρακάτω εικόνα. Ο συμπυκνωτής θα στερεωθεί σταθερά στη θέση του με το μηχανισμό ασφάλισης στις πάνω υποδοχές σε κάθε πλευρά.

\* ΠΡΟΑΙΡΕΤΙΚΟΣ ΕΞΟΠΛΙΣΜΟΣ



## Αντικατάσταση της λάμπας φωτισμού

Για αλλαγή της λάμπας φωτισμού του ψυγείου σας, καλέστε το τοπικό σας εξουσιοδοτημένο σέρβις.

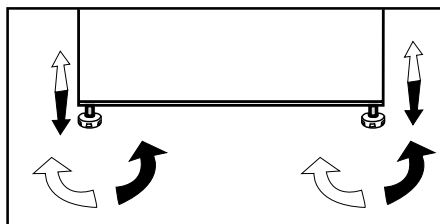
Ο λαμπτήρας (οι λαμπτήρες) που χρησιμοποιεί αυτή η συσκευή δεν είναι κατάλληλος(-οι) για φωτισμό των οικιακών χώρων. Ο σκοπός αυτού του λαμπτήρα είναι να βοηθά το χρήστη να βρίσκεται με ασφάλεια και άνεση τα τρόφιμα στη συντήρηση/ κατάψυξη.

Οι λάμπες που χρησιμοποιούνται σε αυτή τη συσκευή πρέπει να είναι ανθεκτικές σε ακραίες φυσικές συνθήκες, όπως θερμοκρασίες κάτω από  $-20^{\circ}\text{C}$ .

## Ρύθμιση των ποδιών

Αν το ψυγείο σας δεν είναι καλά ισορροπημένο:

Μπορείτε να ισορροπήσετε το ψυγείο σας περιστρέφοντας τα μπροστινά πόδια του, όπως δείχνει η εικόνα. Η γωνία όπου βρίσκεται το πόδι χαμηλώνει όταν περιστρέψετε το πόδι στην κατεύθυνση του μαύρου βέλους και ανυψώνεται όταν το γυρίζετε στην αντίθετη κατεύθυνση. Η διαδικασία αυτή θα γίνει πιο εύκολη αν κάποιος σας βοηθήσει ανυψώνοντας ελαφρά το ψυγείο.

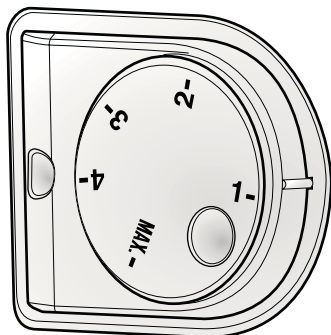


## 4 Προετοιμασία

- ❶ Το ψυγείο σας θα πρέπει να εγκατασταθεί σε απόσταση τουλάχιστον 30 εκ. από πηγές θερμότητας όπως εστίες μαγειρέματος, φούρνους, σώματα κεντρικής θέρμανσης και σύμπετα και τουλάχιστον 5 εκ. μακριά από ηλεκτρικούς φούρνους και δεν θα πρέπει να τοποθετείται σε μέρη όπου δέχεται απ' ευθείας ηλιακή ακτινοβολία.
- ❷ Παρακαλούμε να φροντίζετε να διατηρείτε το εσωτερικό του ψυγείου σας σχολαστικά καθαρό.
- ❸ Αν πρέπει να εγκατασταθούν δύο ψυγεία το ένα δίπλα στο άλλο, θα πρέπει να υπάρχει μεταξύ τους απόσταση τουλάχιστον 2 εκ.
- ❹ Όταν θέσετε το ψυγείο σε λειτουργία για πρώτη φορά, παρακαλούμε τηρείτε τις ακόλουθες οδηγίες κατά τις αρχικές έξι ώρες.
  - Η πόρτα δεν θα πρέπει να ανοίγει συχνά.
  - Το ψυγείο θα πρέπει να λειτουργήσει κενό, χωρίς τρόφιμα στο εσωτερικό του.
  - Μην αποσυνδέσετε το ψυγείο σας από το ρεύμα. Αν συμβεί μια ανεξέλεγκτη διακοπή ρεύματος, δείτε τις προειδοποιήσεις στην ενότητα “Συνιστώμενες λύσεις για προβλήματα”.
- ❺ Η αρχική συσκευασία και τα αφρώδη υλικά θα πρέπει να φυλαχτούν για μελλοντικές μεταφορές ή μετακόμιση.
- ❻ Η συσκευή αυτή έχει σχεδιαστεί να λειτουργεί σε θερμοκρασίες που καθορίζονται στον πιο κάτω πίνακα και είναι εξοπλισμένη με Προηγμένο ηλεκτρονικό σύστημα ελέγχου θερμοκρασίας (Advanced Electronic Temperature Control System, AETCS) που εξασφαλίζει ότι στη συνιστώμενη ρύθμιση [4 - τέσσερα στο περιστροφικό κουμπί] τα κατεψυγμένα τρόφιμα στο χώρο κατάψυξης δεν θα αποψυχθούν ακόμη και αν η θερμοκρασία περιβάλλοντος πέσει ως τους -15 °C. Όταν γίνεται εγκατάσταση για πρώτη φορά, το προϊόν ΔΕΝ ΘΑ ΠΡΕΠΕΙ να τοποθετηθεί σε χαμηλές θερμοκρασίες περιβάλλοντος επειδή η θερμοκρασία

- κατάψυξης δεν θα μειωθεί στην κανονική τιμή λειτουργίας. Όταν το ψυγείο έχει φθάσει στη σταθερή του κατάσταση λειτουργίας, μπορείτε να αλλάξετε τη θέση του. Τότε λοιπόν μπορείτε να εγκαταστήσετε τη συσκευή σας σε γκαράζ ή σε μη θερμαινόμενο δωμάτιο χωρίς να χρειάζεται να ανησυχείτε μήπως χαλάσουν τα τρόφιμα στο χώρο κατάψυξης. Ωστόσο στις χαμηλές θερμοκρασίες που αναφέρθηκαν πιο πάνω, πιθανόν θα παγώσουν τα περιεχόμενα του χώρου συντήρησης, γι' αυτό ελέγχετε και καταναλώνετε όπως χρειάζεται τα τρόφιμα στο χώρο συντήρησης. Όταν η θερμοκρασία περιβάλλοντος επιστρέψει στο κανονικό, μπορείτε να αλλάξετε τη ρύθμισή του περιστροφικού κουμπιού ώστε να ταιριάζει με τις ανάγκες σας.
- ❶ Αν η θερμοκρασία περιβάλλοντος είναι κάτω από 0°C, τα τρόφιμα στο χώρο συντήρησης θα παγώσουν. Γι' αυτό συνιστούμε να μη χρησιμοποιείτε το χώρο συντήρησης σε τόσο χαμηλές θερμοκρασίες περιβάλλοντος. Μπορείτε να συνεχίσετε τη χρήση του χώρου κατάψυξης ως συνήθως.
  - ❷ Σε ορισμένα μοντέλα, ο πίνακας οργάνων απενεργοποιείται αυτόματα 5 λεπτά μετά το κλείσιμο της πόρτας. Θα ενεργοποιηθεί πάλι όταν ανοίξει η πόρτα ή όταν πατηθεί οποιοδήποτε πλήκτρο.
  - ❸ Λόγω της μεταβολής της θερμοκρασίας, ως αποτέλεσμα του ανοίγματος/κλεισίματος της πόρτας του προϊόντος κατά τη διάρκεια της λειτουργίας, η συμπύκνωση στην πόρτα/ράφια και στα γυάλινα δοχεία είναι φυσιολογική.

## 5 Χρήση του ψυγείου σας



### Κουμπί ρύθμισης θερμοκρασίας

Το κουμπί ρύθμισης θερμοκρασίας σας επιτρέπει να ρυθμίσετε τη θερμοκρασία του ψυγείου σας.

### Ρύθμιση της θερμοκρασίας του ψυγείου σας

Η γενική ρύθμιση θερμοκρασίας του ψυγείου σας γίνεται με το κουμπί ρύθμισης θερμοκρασίας στο δεξιό τοίχωμα του θαλάμου του ψυγείου. Το κουμπί αυτό διαθέτει 5 διαφορετικές θέσεις ρύθμισης της θερμοκρασίας. Επιλέξτε τη θέση που αντιστοιχεί στις ανάγκες σας.

### Διπλό σύστημα ψύξης

Το ψυγείο σας διαθέτει δύο χωριστά συστήματα ψύξης για την ψύξη του χώρου συντήρησης και του χώρου κατάψυξης. Έτσι δεν αναμιγνύεται ο αέρας στο χώρο συντήρησης με τον αέρα του χώρου κατάψυξης. Χάρη στα δύο αυτά χωριστά συστήματα ψύξης, η ταχύτητα ψύξης είναι πολύ υψηλότερη από ότι σε άλλα ψυγεία. Οι οσμές στους δύο χώρους δεν αναμιγνύονται. Επίσης παρέχεται πρόσθετη εξοικονόμηση ενέργειας επειδή η απόψυξη εκτελείται ανεξάρτητα.

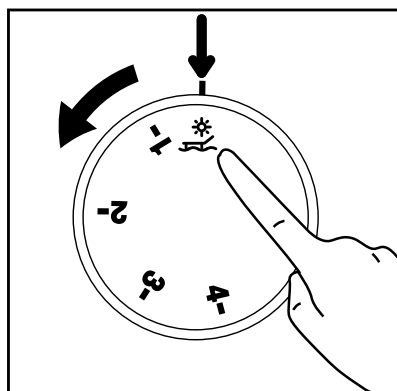
### Λειτουργία Διακοπών

Αν αφού ο θερμοστάτης ρυθμιστεί στην πιο ζεστή ρύθμιση δεν ανοίξουν οι πόρτες της συσκευής για 12 ώρες, τότε θα ενεργοποιηθεί αυτόματα η λειτουργία διακοπών.

Για να ακυρώσετε τη λειτουργία, ανοίξτε την πόρτα του προϊόντος ή αλλάξτε τη ρύθμιση του θερμοστάτη.

Η λειτουργία Διακοπών είναι προαιρετική. Μπορεί να διαφέρει ανάλογα με τον τύπο του προϊόντος και ίσως να μην περιλαμβάνεται σε κάθε προϊόν.

Δεν συνιστάται η φύλαξη τροφίμων στο χώρο συντήρησης όταν είναι ενεργή η λειτουργία διακοπών.



## Διπλό σύστημα ψύξης:


Το ψυγείο σας διαθέτει δύο χωριστά συστήματα ψύξης για την ψύξη του χώρου συντήρησης και του χώρου κατάψυξης. Έτσι δεν αναμιγνύεται ο αέρας στο χώρο συντήρησης με τον αέρα του χώρου κατάψυξης. Χάρη στα δύο αυτά χωριστά συστήματα ψύξης, η ταχύτητα ψύξης είναι πολύ υψηλότερη από ότι σε άλλα ψυγεία. Οι οσμές στους δύο χώρους δεν αναμιγνύονται. Επίσης παρέχεται πρόσθετη εξοικονόμηση ενέργειας επειδή η απόψυξη εκτελείται ανεξάρτητα.

## Κατάψυξη νωπών τροφίμων

- Τυλίγετε ή καλύπτετε τα τρόφιμα πριν τα τοποθετήσετε στο ψυγείο.
- Αφήνετε τα ζεστά φαγητά να κρουνούν σε θερμοκρασία δωματίου πριν τα τοποθετήσετε στο ψυγείο.
- Τα τρόφιμα που θέλετε να καταψύξετε θα πρέπει να είναι φρέσκα και καλής ποιότητας.
- Τα τρόφιμα πρέπει να χωρίζονται σε μερίδες ανάλογα με τις καθημερινές ή ανά γεύμα ανάγκες της οικογένειας.
- Τα τρόφιμα θα πρέπει να συσκευάζονται με αεροστεγή τρόπο για να εμποδίζεται να ξηραίνονται ακόμα και αν πρόκειται να διατηρηθούν στο ψυγείο για σύντομο χρονικό διάστημα.
- Τα υλικά για τη συσκευασία θα πρέπει να είναι ανθεκτικά σε σχίσιμο και σε χαμηλές θερμοκρασίες, υγρασία, οσμές, λάδια και οξέα και επίσης θα πρέπει να είναι αεροστεγή. Επιπλέον θα πρέπει να είναι καλά κλεισμένα και να είναι κατασκευασμένα από εύχρηστα υλικά που είναι κατάλληλα για χρήση σε συνθήκες βαθιάς κατάψυξης.

- Τα κατεψυγμένα τρόφιμα θα πρέπει να χρησιμοποιούνται άμεσα μετά την απόψυξή τους και ποτέ δεν θα πρέπει να καταψύχονται πάλι.
- Παρακαλούμε τηρείτε τις ακόλουθες οδηγίες για να επιτύχετε τα καλύτερα αποτελέσματα.
  1. Μην καταψύχετε ταυτόχρονα πολύ μεγάλη ποσότητα τροφίμων. Η ποιότητα των τροφίμων διατηρείται καλύτερα αν αυτά καταψυχθούν ως τον πυρήνα τους όσο το δυνατόν συντομότερα.
  2. Η τοποθέτηση ζεστού φαγητού στο χώρο κατάψυξης προκαλεί συνεχή λειτουργία του συστήματος ψύξης έως ότου το φαγητό έχει παγώσει τελείως.
  3. Φροντίστε ιδιαίτερα να μην αναμιγνύετε ήδη κατεψυγμένα και νωπά τρόφιμα.

## Συμβουλές για τη διατήρηση κατεψυγμένων τροφίμων

- Τα προσσκευασμένα κατεψυγμένα τρόφιμα του εμπορίου θα πρέπει να διατηρούνται σύμφωνα με τις οδηγίες του κατασκευαστή των κατεψυγμένων τροφίμων για χώρο συντήρησης κατεψυγμένων τροφίμων τύπου  (4 αστέρων).
- Για να εξασφαλίσετε ότι θα διατηρηθεί η υψηλή ποιότητα η οποία επιτυγχάνεται από τον κατασκευαστή των κατεψυγμένων τροφίμων και το κατάστημα πώλησης τροφίμων, θα πρέπει να θυμάστε τα ακόλουθα:
  1. Τοποθετείτε τις συσκευασίες στο χώρο κατάψυξης όσο το δυνατόν συντομότερα μετά την αγορά.
  2. Βεβαιωθείτε ότι τα περιεχόμενα φέρουν σήμανση με το είδος και την ημερομηνία.
  3. Μην υπερβαίνετε τις ημερομηνίες λήξης "Κατανάλωση έως", "Καλύτερο πριν" που βρίσκονται στη συσκευασία.

## Απόψυξη

Ο χώρος κατάψυξης διαθέτει αυτόματη απόψυξη.

## Τοποθέτηση των τροφίμων

Ράφια χώρου κατάψυξης	Διάφορα κατεψυγμένα τρόφιμα όπως κρέας, ψάρι, παγωτό, λαχανικά κλπ.
Αυγοθήκη	Αυγά
Ράφια χώρου συντήρησης	Τρόφιμα σε μαγειρικά σκεύη, καλυμμένα πιάτα και κλειστά δοχεία
Ράφια πόρτας χώρου συντήρησης	Μικρής ποσότητας και συσκευασμένα τρόφιμα ή ποτά (όπως γάλα, χυμός φρούτων και μπύρα)
Συρτάρι λαχανικών	Λαχανικά και φρούτα
Χώρος ζώνης φρεσκάδας	Προϊόντα Delicatessen (τυρί, βούτυρο, αλλαντικά κλπ.)

### Πληροφορίες για τη Βαθιά Κατάψυξη

Τα τρόφιμα πρέπει να καταψύχονται όσο το δυνατόν ταχύτερα όταν τοποθετούνται στο ψυγείο για να διατηρείται η καλή τους ποιότητα.

Η διατήρηση των τροφίμων για μεγάλο χρονικό διάστημα είναι δυνατή σε θερμοκρασίες  $-18^{\circ}\text{C}$  ή χαμηλότερες.

Μπορείτε να διατηρήσετε τη φρεσκάδα των τροφίμων για πολλούς μήνες (στους  $-18^{\circ}\text{C}$  ή χαμηλότερες θερμοκρασίες στη βαθιά κατάψυξη).

### ΠΡΟΕΙΔΟΠΟΙΗΣΗ! ⚠

- Τα τρόφιμα πρέπει να χωρίζονται σε μερίδες ανάλογα με τις καθημερινές ή ανά γεύμα ανάγκες της οικογένειας.

- Τα τρόφιμα θα πρέπει να συσκευάζονται με αεροστεγή τρόπο για να εμποδίζεται να ξηραίνονται ακόμα και αν πρόκειται να διατηρηθούν στο ψυγείο για σύντομο χρονικό διάστημα.

Υλικά απαραίτητα για τη συσκευασία:

- Κολλητική ταινία ανθεκτική σε χαμηλές θερμοκρασίες
- Αυτοκόλλητη ετικέτα
- Λαστιχάκια
- Στυλό

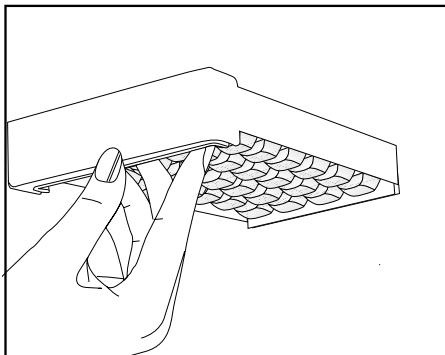
Τα υλικά για τη συσκευασία θα πρέπει να είναι ανθεκτικά στο σχίσσιμο καθώς και σε χαμηλές θερμοκρασίες, υγρασία, οσμές, λάδια και οξέα.

Τα τρόφιμα προς κατάψυξη δεν θα πρέπει να επιτρέπεται να έρχονται σε επαφή με τα ήδη κατεψυγμένα είδη για να αποτραπεί η μερική απόψυξή τους.

Τα κατεψυγμένα τρόφιμα θα πρέπει να χρησιμοποιούνται άμεσα μετά την απόψυξή τους και ποτέ δεν θα πρέπει να καταψύχονται πάλι.

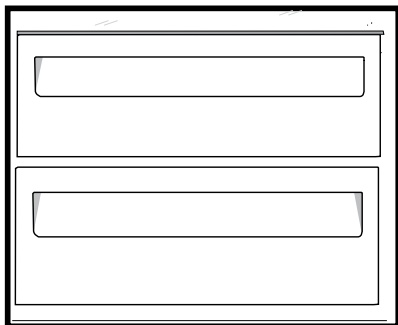
## Πώς να φτιάχνετε παγάκια

Γεμίστε τη θήκη για παγάκια με νερό και τοποθετήστε τη στη θέση της. Ο πάγος σας θα είναι έτοιμος σε περίπου δύο ώρες. Μπορείτε να αφαιρέσετε εύκολα τα παγάκια σας στρίβοντας ελαφρά τη θήκη τους.



## Χώρος θερμοκρασίας μηδέν βαθμών

Ο χώρος αυτός έχει σχεδιαστεί για τη σωστή φύλαξη κατεψυγμένων τροφίμων τα οποία θα πρέπει να αποψυχθούν αργά (κρέας, ψάρι, κοτόπουλο κλπ.). Ο χώρος θερμοκρασίας μηδέν βαθμών είναι το πιο κρύο μέρος του ψυγείου σας, στο οποίο μπορεί να φυλαχτούν σε ιδανικές συνθήκες διατήρησης γαλακτοκομικά προϊόντα (τυρί, βούτυρο), κρέας, ψάρι ή κοτόπουλο. Λαχανικά και/ή φρούτα δεν πρέπει να τοποθετούνται σε αυτόν το χώρο.



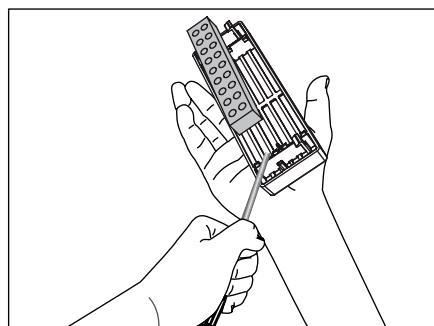
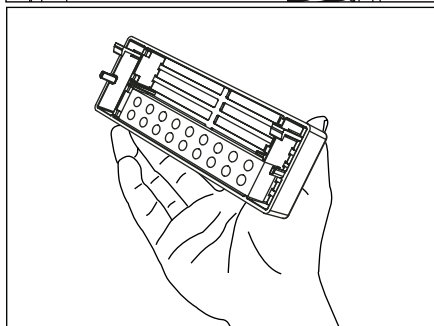
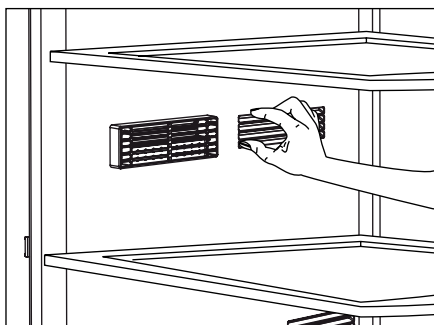
## Περιγραφή και καθαρισμός του φίλτρου οσμών:

\* ΠΡΟΑΙΡ.

Το φίλτρο οσμών αποτρέπει τη δημιουργία δυσάρεστων οσμών στο ψυγείο σας.

Τραβήξτε το κάλυμμα της υποδοχής του φίλτρου οσμών προς τα κάτω και αφαιρέστε το όπως δείχνει η εικόνα. Αφήστε το φίλτρο στον ήλιο για μία ημέρα. Σε αυτό το χρονικό διάστημα το φίλτρο θα καθαριστεί. Τοποθετήστε το φίλτρο πάλι στη θέση του.

Το φίλτρο οσμών πρέπει να καθαρίζεται μια φορά το χρόνο.





## Σύστημα Icematic και δοχείο φύλαξης πάγου

### Χρήση του Icematic

\* Γεμίστε το Icematic με νερό και τοποθετήστε το στη θέση του. Ο πάγος σας θα είναι έτοιμος σε περίπου δύο ώρες. Μην αφαιρέσετε το Icematic από τη θέση του για να πάρετε πάγο.

\* Περιστρέψτε τα κουμπιά του δεξιόστροφα κατά 90 μοίρες.

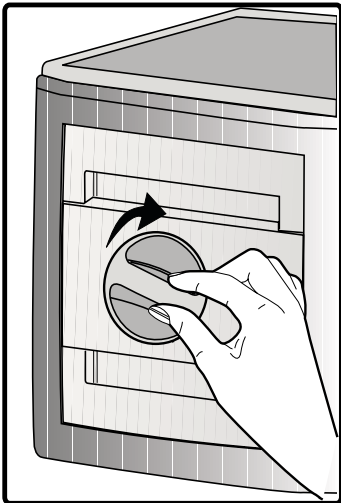
Οι παγοκύβοι από τις υποδοχές θα πέσουν στο δοχείο φύλαξης πάγου που βρίσκεται από κάτω.

\* Μπορείτε να αφαιρέσετε το δοχείο φύλαξης πάγου και να σερβίρετε τους παγοκύβους.

\* Αν επιθυμείτε, μπορείτε να διατηρήσετε τους παγοκύβους στο δοχείο φύλαξης πάγου.

### Δοχείο φύλαξης πάγου

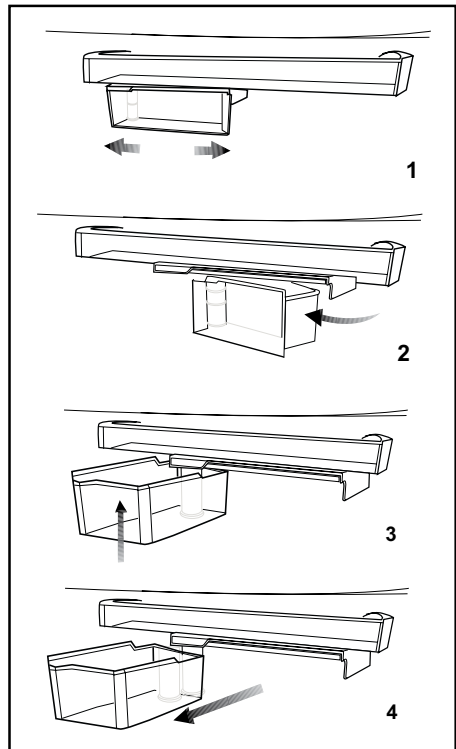
Το δοχείο φύλαξης πάγου έχει σκοπό μόνο να συγκεντρώνει τους παγοκύβους. Μην προσθέσετε νερό σ' αυτό. Αλλιώς, θα σπάσει.



## Περιστροφικό δοχείο φύλαξης

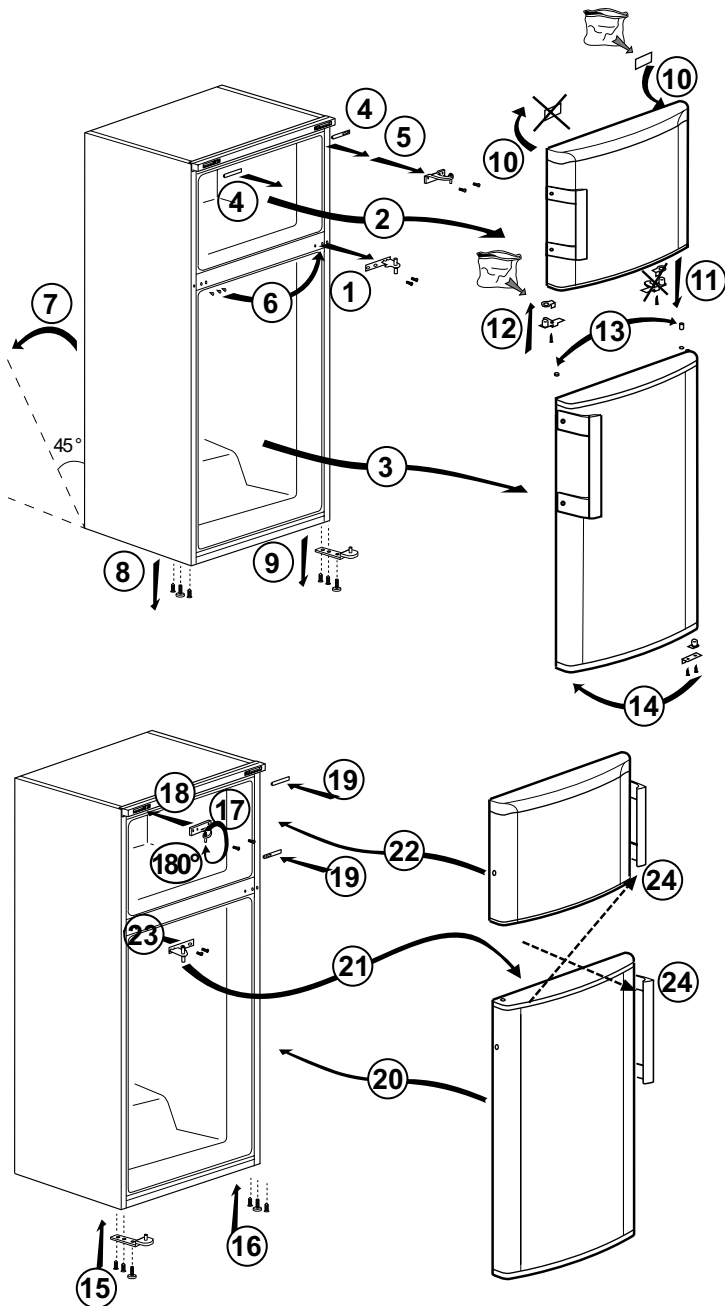
Το συρόμενο ράφι θαλάμου μπορεί να μετακινηθεί προς τα αριστερά ή τα δεξιά για να σας επιτρέψει να τοποθετήσετε ψηλά μπουκάλια, βάζα ή κουτιά στο χαμηλότερο ράφι (Σχ. 1)

Μπορείτε να φθάσετε το φαγητό που έχετε τοποθετήσει στο ράφι πιάνοντάς το και περιστρέφοντάς το από τη δεξιά του άκρη (Σχ. 2). Όταν θέλετε να τοποθετήσετε τρόφιμα ή να το καθαρίσετε, περιστρέψτε το κατά 90 μοίρες, ανασηκώστε το και τραβήξτε το προς το μέρος σας (Σχ. 3-4).



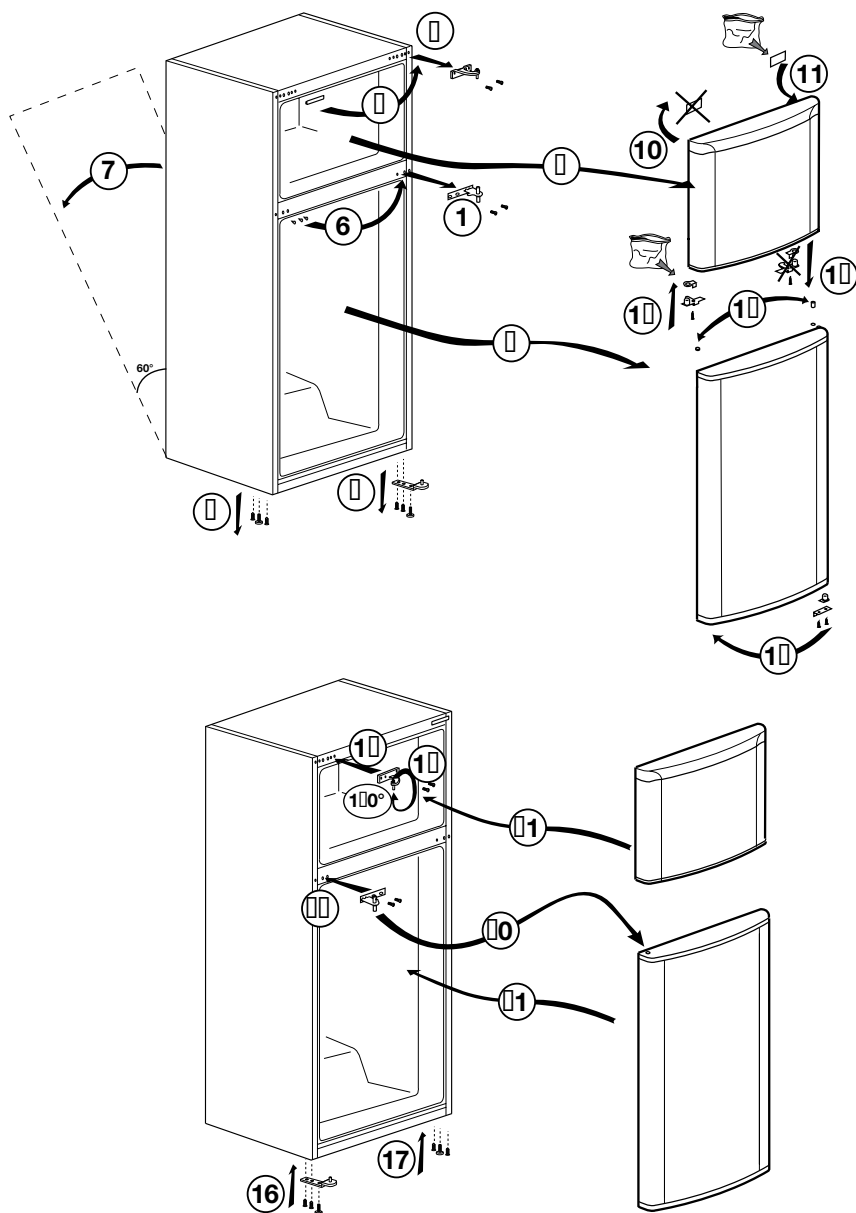
# Αντιστροφή της φοράς ανοίγματος των πορτών

Προχωρήστε σύμφωνα με την σειρά των αριθμών.



## Αντιστροφή της φοράς ανοίγματος των πορτών

Προχωρήστε σύμφωνα με την σειρά των αριθμών.



## 6 Συντήρηση και καθαρισμός

- ⚠ Ποτέ μη χρησιμοποιήσετε βενζίνη, βενζόλιο ή παρόμοια υλικά για τον καθαρισμό.
- ⚠ Συνιστούμε να αποσυνδέετε τη συσκευή από την πρίζα πριν τον καθαρισμό.
- ❗ Ποτέ μη χρησιμοποιείτε για τον καθαρισμό οποιοδήποτε αιχμηρό όργανο που χαράζει, σαπούνι, οικιακά καθαριστικά, απορρυπαντικά και γυαλιστικά κεριού.
- ❗ Σε προϊόντα που δεν είναι No Frost, στο πίσω τοίχωμα του θαλάμου συντήρησης σχηματίζονται σταγόνες και πάχνη πάχους έως ενός δακτύλου. Μην καθαρίζετε και μην απλώνετε λάδι ή παρόμοια υλικά.
- ❗ Χρησιμοποιείτε μόνο ελαφρώς υγρά πανιά μικροϊνών για τον καθαρισμό της εξωτερικής επιφάνειας του προϊόντος. Οι σπόγγοι και άλλοι τύποι πανιών καθαρισμού μπορεί να χαράξουν την επιφάνεια.
- ❗ Για να καθαρίσετε το περίβλημα του ψυγείου σας, χρησιμοποιήστε χλιαρό νερό και κατόπιν σκουπίστε το για να στεγνώσει.
- ❗ Για να καθαρίσετε το εσωτερικό, χρησιμοποιήστε πανί που έχει υγρανθεί ελαφρά σε διάλυμα από μια κουταλιά του γλυκού μαγειρικής σόδας σε περίπου μισό λίτρο νερού. Κατόπιν σκουπίστε τις επιφάνειες για να στεγνώσουν.
- ⚠ Φροντίστε απαραίτητα να μην εισέλθει νερό στο περίβλημα της λάμπας και σε άλλα ηλεκτρικά εξαρτήματα.
- ⚠ Εάν το ψυγείο σας δεν πρόκειται να χρησιμοποιηθεί για μεγάλη χρονική περίοδο, αποσυνδέστε το καλώδιο

ρεύματος από την πρίζα, αφαιρέστε όλα τα τρόφιμα, καθαρίστε το και αφήστε την πόρτα μισάνοιχτη.

- ❗ Ελέγχετε τακτικά τις στεγανοποιήσεις στις πόρτες για να βεβαιωθείτε ότι είναι καθαρές και απαλλαγμένες από σωματίδια τροφίμων.
- ❗ Για να αφαιρέσετε ένα ράφι πόρτας, αφαιρέστε όλα τα περιεχόμενα και κατόπιν απλά σπρώξτε το ράφι προς τα πάνω ώστε να βγει από τη βάση του.
- ❗ Ποτέ μη χρησιμοποιείτε ποτέ καθαριστικούς παράγοντες ή νερό που περιέχει χλώριο για να καθαρίσετε τις εξωτερικές επιφάνειες και τα επιχρωμιωμένα εξαρτήματα του προϊόντος. Το χλώριο προκαλεί διάβρωση σε μεταλλικές επιφάνειες αυτού του είδους.
- ❗ Μη χρησιμοποιείτε εργαλεία που κόβουν και χαράζουν ή σαπούνι, οικιακά καθαριστικά, απορρυπαντικά βενζίνη, βενζόλιο, κεριά κλπ, διαφορετικά οι στάμπες στα πλαστικά εξαρτήματα θα σβήσουν και θα προκύψει παραμόρφωση. Για τον καθαρισμό χρησιμοποιήστε χλιαρό νερό και ένα μαλακό πανί και σκουπίστε για να στεγνώσει.

### Προστασία των πλαστικών επιφανειών

- ❗ Μην τοποθετείτε υγρά λάδια ή φαγητά μαγειρεμένα σε λάδι στο ψυγείο σας σε μη σφραγισμένα δοχεία, επειδή προσξενούν βλάβες στις πλαστικές επιφάνειες του ψυγείου σας. Σε περίπτωση που χυθεί ή αλειφτεί λάδι στις πλαστικές επιφάνειες, αμέσως καθαρίστε και ξεπλύνετε το επηρεαζόμενο μέρος της επιφάνειας με χλιαρό νερό.

## 7 Συνιστώμενες λύσεις για προβλήματα

Παρακαλούμε συμβουλευτείτε τη λίστα πριν καλέσετε το σέρβις. Έτσι μπορείτε να εξοικονομήσετε χρόνο και χρήματα. Η λίστα αυτή περιλαμβάνει συχνά παράπονα που δεν είναι αποτέλεσμα ελαττωμάτων της κατασκευής ή των χρησιμοποιούμενων υλικών. Ορισμένες από τις δυνατότητες που περιγράφονται εδώ ίσως να μην υπάρχουν στη συσκευή σας.

<b>Το ψυγείο δεν λειτουργεί.</b>
<ul style="list-style-type: none"><li>• Έχει συνδεθεί το ψυγείο σωστά στο ρεύμα; Συνδέστε το φως στην πρίζα στον τοίχο.</li><li>• Μήπως έχει καεί η ασφάλεια της πρίζας στην οποία έχει συνδεθεί το ψυγείο ή η γενική ασφάλεια; Ελέγξτε την ασφάλεια.</li></ul>
<b>Συμπύκνωση στα πλευρικά τοιχώματα του χώρου συντήρησης. (MULTI ZONE, COOL CONTROL και FLEXI ZONE)</b>
<ul style="list-style-type: none"><li>• Πολύ χαμηλές θερμοκρασίες περιβάλλοντος. Συχνό άνοιγμα και κλείσιμο της πόρτας. Πολύ υψηλή υγρασία περιβάλλοντος. Αποθήκευση τροφίμων που περιέχουν υγρά σε ανοικτά δοχεία. Η πόρτα έχει ξεχαστεί μισάνοιχτη.</li><li>• Ρύθμιση του θερμοστάτη σε χαμηλότερη θερμοκρασία.</li><li>• Μείωση του χρόνου που μένει ανοικτή η πόρτα ή λιγότερη συχνή χρήση της.</li><li>• Κάλυψη με κατάλληλο υλικό του φαγητού που φυλάσσεται σε ανοικτά δοχεία.</li><li>• Σκουπίστε τη συμπυκνωμένη υγρασία με στεγνό πανί και ελέγξτε αν επιμένει.</li></ul>
<b>Ο συμπιεστής δεν λειτουργεί</b>

- Το προστατευτικό θερμικό του συμπιεστή θα ενεργοποιηθεί σε περίπτωση ξαφνικών διακοπών ρεύματος ή αν η συσκευή αποσυνδεθεί και συνδεθεί γρήγορα στο ρεύμα, όταν η πίεση του ψυκτικού μέσου στο σύστημα ψύξης του ψυγείου δεν έχει εξισορροπηθεί ακόμα.
- Η λειτουργία του ψυγείου σας θα αρχίσει πάλι μετά από 6 λεπτά. Παρακαλούμε καλέστε το σέρβις αν το ψυγείο σας δεν ξεκινήσει πάλι μετά το τέλος αυτού του χρονικού διαστήματος.
- Το ψυγείο βρίσκεται στον κύκλο απόψυξης. Αυτό είναι κανονικό για ψυγείο που δεν διαθέτει απόλυτα αυτόματα απόψυξη. Ο κύκλος απόψυξης λαμβάνει χώρα περιοδικά.
- Το ψυγείο δεν έχει συνδεθεί στην πρίζα. Βεβαιωθείτε ότι το φως έχει τοποθετηθεί σωστά στην πρίζα.
- Έχουν γίνει σωστά οι ρυθμίσεις θερμοκρασίας; Υπάρχει διακοπή ρεύματος. Καλέστε την εταιρία σας παροχής ηλεκτρισμού.

**Το ψυγείο ενεργοποιείται συχνά ή για πολλή ώρα.**

<ul style="list-style-type: none"> <li>• Το νέο σας ψυγείο μπορεί να είναι πλατύτερο από το παλαιό. Αυτό είναι πολύ φυσιολογικό. Τα μεγάλα ψυγεία λειτουργούν για μεγαλύτερο χρονικό διάστημα.</li> <li>• Η θερμοκρασία του περιβάλλοντος χώρου είναι πολύ υψηλή. Αυτό είναι πολύ φυσιολογικό.</li> <li>• Το ψυγείο ίσως συνδέθηκε στην πρίζα πρόσφατα ή μπορεί να έχει φορτωθεί με πολλά τρόφιμα. Η πλήρης ψύξη του ψυγείου σας στη θερμοκρασία λειτουργίας μπορεί να διαρκέσει δύο ώρες επιπλέον.</li> <li>• Μπορεί πρόσφατα να τοποθετήθηκαν στο ψυγείο μεγάλες ποσότητες ζεστού φαγητού. Το πολύ ζεστό φαγητό προκαλεί λειτουργία του ψυγείου για περισσότερη ώρα έως ότου φθάσει την επιθυμητή θερμοκρασία φύλαξης των τροφίμων.</li> <li>• Ίσως να ανοίγονταν συχνά οι πόρτες ή να παρέμειναν μισάνοιχτες για μεγάλο χρονικό διάστημα. Ο θερμός αέρας που έχει εισέλθει στο ψυγείο προκαλεί τη λειτουργία του ψυγείου για μεγαλύτερες χρονικές περιόδους. Ανοίγεται τις πόρτες λιγότερο συχνά.</li> <li>• Η πόρτα του χώρου κατάψυξης ή συντήρησης μπορεί να έχει ξεχαστεί μισάνοιχτη. Ελέγξτε αν οι πόρτες έχουν κλείσει καλά.</li> <li>• Το ψυγείο έχει ρυθμιστεί σε πολύ χαμηλή θερμοκρασία. Ρυθμίστε τη θερμοκρασία του ψυγείου σε υψηλότερο επίπεδο και περιμένετε έως ότου επιτευχθεί αυτή η θερμοκρασία.</li> <li>• Η στεγανοποίηση πόρτας της συντήρησης ή κατάψυξης μπορεί να είναι λερωμένη, φθαρμένη, σπασμένη ή δεν εφαρμόζει καλά. Καθαρίστε ή αντικαταστήστε τη στεγανοποίηση. Αν υπάρχει ζημιά/ σπάσιμο στη στεγανοποίηση της πόρτας, μπορεί να προκληθεί λειτουργία του ψυγείου για μεγαλύτερες περιόδους για να διατηρείται η τρέχουσα θερμοκρασία.</li> </ul>
<p>Η θερμοκρασία της κατάψυξης είναι πολύ χαμηλή ενώ η θερμοκρασία της συντήρησης είναι επαρκής.</p>

<ul style="list-style-type: none"> <li>• Η θερμοκρασία του χώρου κατάψυξης έχει ρυθμιστεί σε πολύ χαμηλό επίπεδο. Ρυθμίστε τη θερμοκρασία του χώρου κατάψυξης σε υψηλότερο επίπεδο και ελέγξτε.</li> </ul>
<p>Η θερμοκρασία της συντήρησης είναι πολύ χαμηλή ενώ η θερμοκρασία της κατάψυξης είναι επαρκής.</p>
<ul style="list-style-type: none"> <li>• Η θερμοκρασία του χώρου συντήρησης έχει ρυθμιστεί σε πολύ χαμηλό επίπεδο. Ρυθμίστε τη θερμοκρασία του χώρου συντήρησης σε υψηλότερο επίπεδο και ελέγξτε.</li> </ul>
<p>Τα τρόφιμα στα συρτάρια της συντήρησης παγώνουν.</p>
<ul style="list-style-type: none"> <li>• Η θερμοκρασία του χώρου συντήρησης έχει ρυθμιστεί σε πολύ χαμηλό επίπεδο. Ρυθμίστε τη θερμοκρασία του χώρου συντήρησης σε υψηλότερο επίπεδο και ελέγξτε.</li> </ul>
<p>Η θερμοκρασία στη συντήρηση ή την κατάψυξη είναι πολύ υψηλή.</p>
<ul style="list-style-type: none"> <li>• Η θερμοκρασία της συντήρησης έχει ρυθμιστεί σε πολύ υψηλό επίπεδο. Η ρύθμιση της συντήρησης έχει επίδραση στη θερμοκρασία της κατάψυξης. Αλλάξτε τη θερμοκρασία της συντήρησης ή κατάψυξης έως ότου η θερμοκρασία της συντήρησης ή κατάψυξης φθάσει σε επαρκές επίπεδο.</li> <li>• Η πόρτα μπορεί να έχει μείνει μισάνοιχτη. Κλείστε καλά την πόρτα.</li> <li>• Μπορεί πρόσφατα να τοποθετήθηκαν στο ψυγείο μεγάλες ποσότητες ζεστού φαγητού. Περιμένετε έως ότου η συντήρηση ή η κατάψυξη φθάσει στην επιθυμητή θερμοκρασία.</li> <li>• Το ψυγείο μπορεί να έχει συνδεθεί στην πρίζα πρόσφατα. Η πλήρης ψύξη του ψυγείου απαιτεί χρόνο λόγω του μεγέθους του.</li> </ul>
<p>Το ψυγείο παράγει θόρυβο παρόμοιο με το τικ τικ του ρολογιού.</p>

<ul style="list-style-type: none"> <li>• Ο θόρυβος προέρχεται από την ηλεκτρομαγνητική βαλβίδα του ψυγείου. Ο σκοπός της ηλεκτρομαγνητικής βαλβίδας είναι η εξασφάλιση της διέλευσης ψυκτικού μέσου μέσα από το χώρο που μπορεί να ρυθμιστεί σε θερμοκρασίες ψύξης ή κατάψυξης, και η εκτέλεση των λειτουργιών ψύξης. Αυτό είναι φυσιολογικό και δεν αποτελεί ένδειξη δυσλειτουργίας.</li> </ul>
<p>Ο θόρυβος λειτουργίας αυξάνεται όταν λειτουργεί το ψυγείο.</p>
<ul style="list-style-type: none"> <li>• Τα χαρακτηριστικά λειτουργίας του ψυγείου μπορεί να διαφέρουν ανάλογα με τις μεταβολές της θερμοκρασίας περιβάλλοντος. Το φαινόμενο είναι φυσιολογικό και δεν αποτελεί ένδειξη δυσλειτουργίας.</li> </ul>
<p><b>Κραδασμοί ή θόρυβος.</b></p>
<ul style="list-style-type: none"> <li>• Το δάπεδο δεν είναι ομαλό ή δεν είναι ανθεκτικό. Το ψυγείο ταλαντεύεται όταν μετακινηθεί ελαφρά. Βεβαιωθείτε ότι το δάπεδο είναι οριζόντιο, ανθεκτικό και ικανό να φέρει το βάρος του ψυγείου.</li> <li>• Ο θόρυβος μπορεί να προκαλείται από αντικείμενα που έχουν τοποθετηθεί πάνω στο ψυγείο. Αυτά τα είδη πρέπει να απομακρυνθούν από τη συσκευή.</li> </ul>
<p>Υπάρχουν θόρυβοι σαν ροής ή φεκασμού υγρού.</p>
<ul style="list-style-type: none"> <li>• Η ροή υγρών και αερίων είναι σύμφωνη με την αρχή λειτουργίας του ψυγείου σας. Το φαινόμενο είναι φυσιολογικό και δεν αποτελεί ένδειξη δυσλειτουργίας.</li> </ul>
<p>Υπάρχει θόρυβος σαν ανέμου που φυσά.</p>
<ul style="list-style-type: none"> <li>• Για την αποτελεσματική ψύξη του ψυγείου χρησιμοποιούνται συσκευές διακίνησης αέρα (ανεμιστήρες) . Το φαινόμενο είναι φυσιολογικό και δεν αποτελεί ένδειξη δυσλειτουργίας.</li> </ul>
<p>Συμπύκνωση στα εσωτερικά τοιχώματα του ψυγείου.</p>
<ul style="list-style-type: none"> <li>• Ο ζεστός και υγρός καιρός αυξάνει το σχηματισμό πάγου και συμπύκνωσης. Το φαινόμενο είναι φυσιολογικό και δεν αποτελεί ένδειξη δυσλειτουργίας.</li> <li>• Η πόρτες είναι μισάνοιχτες. Βεβαιωθείτε ότι οι πόρτες είναι τελείως κλειστές.</li> <li>• Ίσως να ανοίγονταν συχνά οι πόρτες ή να παρέμειναν ανοικτές για μεγάλο χρονικό διάστημα. Ανοίγετε την πόρτα λιγότερο συχνά.</li> </ul>

<p>Εμφανίζεται υγρασία στο εξωτερικό του ψυγείου ή ανάμεσα στις πόρτες.</p>
<ul style="list-style-type: none"> <li>• Ο καιρός μπορεί να είναι υγρός. Αυτό είναι πολύ φυσιολογικό σε περίπτωση υγρού καιρού. Όταν η υγρασία είναι μικρότερη, η συμπύκνωση θα πάψει να εμφανίζεται.</li> </ul>
<p><b>Κακοσμία στο εσωτερικό του ψυγείου.</b></p>
<ul style="list-style-type: none"> <li>• Το εσωτερικό του ψυγείου πρέπει να καθαριστεί. Καθαρίστε το εσωτερικό του ψυγείου, με ένα σφουγγάρι, χλιαρό νερό ή διάλυμα μαγειρικής σόδας σε νερό.</li> <li>• Ίσως η οσμή να προκαλείται από ορισμένα δοχεία ή υλικά συσκευασίας. Χρησιμοποιήστε διαφορετικό δοχείο ή διαφορετική μάρκα υλικού συσκευασίας.</li> </ul>
<p><b>Η (Οι) πόρτα(-ες) δεν κλείνει(-ουν).</b></p>
<ul style="list-style-type: none"> <li>• Συσκευασίες τροφίμων ίσως να εμποδίζουν το κλείσιμο της πόρτας. Μετατοπίστε τις συσκευασίες που εμποδίζουν την πόρτα.</li> <li>• Το ψυγείο πιθανόν να μην είναι εντελώς κατακόρυφο στο δάπεδο και μπορεί να ταλαντεύεται όταν σπρωχτεί ελαφρά. Ρυθμίστε τις βίδες ανύψωσης.</li> <li>• Το δάπεδο δεν είναι επίπεδο ή δεν είναι ανθεκτικό. Βεβαιωθείτε ότι το δάπεδο είναι οριζόντιο και ικανό να φέρει το βάρος του ψυγείου.</li> </ul>
<p><b>Τα συρτάρια λαχανικών έχουν κολλήσει.</b></p>
<ul style="list-style-type: none"> <li>• Τα τρόφιμα μπορεί να αγγίζουν την οροφή του συρταριού. Ανακατανέμειτε τα τρόφιμα στο συρτάρι.</li> </ul>
<p><b>Αν Η Επιφάνεια Του Προϊόντος Είναι Θερμή.</b></p>
<ul style="list-style-type: none"> <li>• Ενδέχεται να παρατηρηθούν υψηλές θερμοκρασίες ανάμεσα στις δύο πόρτες, στα πλευρικά πλαίσια και στην πίσω σχάρα κατά τη λειτουργία του προϊόντος. Αυτό είναι φυσιολογικό και το προϊόν δεν χρειάζεται συντήρηση! Προσοχή όταν αγγίζετε αυτές τις επιφάνειες.</li> </ul>

## ΠΑΡ. ΣΕΪΤΑΝΙΔΗΣ Α.Ε.

ΠΟΛΥΣΤΥΛΟ ΚΑΒΑΛΑΣ ΤΗΛ 2510 392 180-3  
ΥΠΟΚΑΤΑΣΤΗΜΑ ΑΘΗΝΩΝ  
ΑΛΙΜΟΥ 8 ΚΑΙ ΖΑΛΟΥΤΟΥ, ΑΛΙΜΟΣ  
ΤΗΛ 211 012 2829-30-31-32  
E-mail: seitanidis@otenet.gr



## ΕΓΓΥΗΣΗ

Η εταιρεία ΠΑΡ.ΣΕΪΤΑΝΙΔΗΣ Α.Ε. σας ευχαριστεί για την προτίμηση που δείξατε αγοράζοντας τις συσκευές beko και σας παρέχει τον παρακάτω χρόνο εγγύησης από την ημερομηνία αγοράς τους. Αν μέσα στην διάρκεια της εγγύησης η συσκευή σας χρειαστεί επισκευή, μπορείτε να ενημερωθείτε για τα εξουσιοδοτημένα service από το τηλεφωνικό κέντρο της εταιρεία μας στο τηλέφωνο **2510 392511 / 2510 392512**

<b>ΨΥΓΕΙΑ</b>	3 ΧΡΟΝΙΑ	<b>ΚΑΤΑΨΥΚΤΕΣ</b>	3 ΧΡΟΝΙΑ
<b>ΚΟΥΖΙΝΕΣ</b>	3 ΧΡΟΝΙΑ	<b>ΦΟΥΡΝΟΙ ΜΙΚΡΟΚΥΜΑΤΩΝ</b>	2 ΧΡΟΝΙΑ
<b>ΠΑΛΥΝΤΗΡΙΑ</b>	3 ΧΡΟΝΙΑ	<b>ΜΙΚΡΟΣΥΣΚΕΥΕΣ - ΣΚΟΥΠΕΣ</b>	2 ΧΡΟΝΙΑ

ΟΝΟΜΑΤΕΠΩΝΥΜΟ ΑΓΟΡΑΣΤΗ..... ΑΡ. ΕΓΓΥΗΣΗΣ.....

..... ΑΡ. ΠΑΡΑΣΤΑΤ. ΑΓΟΡΑΣ.....

ΔΙΕΥΘΥΝΣΗ..... ΜΟΝΤΕΛΟ ΣΥΣΚΕΥΗΣ.....

..... ΣΕΙΡΙΑΚΟΣ ΑΡΙΘΜΟΣ ΣΥΣΚΕΥΗΣ.....

ΤΗΛ : ..... ΗΜΕΡ/ΝΙΑ ΑΓΟΡΑΣ.....

**ΣΦΡΑΓΙΔΑ & ΥΠΟΓΡΑΦΗ ΠΩΛΗΤΗ.....**



ΑΡ. ΕΓΓΥΗΣΗΣ.....

ΑΡ. ΠΑΡΑΣΤΑΤ. ΑΓΟΡΑΣ.....

ΟΝΟΜΑΤΕΠΩΝΥΜΟ ΑΓΟΡΑΣΤΗ..... ΜΟΝΤΕΛΟ ΣΥΣΚΕΥΗΣ.....

..... ΣΕΙΡΙΑΚΟΣ ΑΡΙΘΜΟΣ ΣΥΣΚΕΥΗΣ.....

ΔΙΕΥΘΥΝΣΗ..... ΗΜΕΡ/ΝΙΑ ΑΓΟΡΑΣ.....

.....

ΤΗΛ : ..... **ΣΦΡΑΓΙΔΑ & ΥΠΟΓΡΑΦΗ ΠΩΛΗΤΗ.....**

.....



## ΟΡΟΙ ΚΑΙ ΠΡΟΫΠΟΘΕΣΕΙΣ ΙΣΧΥΟΣ ΤΗΣ ΠΑΡΟΥΣΗΣ ΕΓΓΥΗΣΗΣ

1. Για να ισχύει η παρούσα εγγύηση θα πρέπει να συμπληρωθούν πλήρως και να υπογραφούν δεόντως με φροντίδα του πελάτη και τα δύο μέρη της εγγύησης. Το απόκομμα για την εταιρεία θα πρέπει να ταχυδρομηθεί με συστημένη επιστολή ή να προσκομηθεί στα γραφεία της εταιρείας μας (Πολύτυλο Καβάλας Τ.Θ 1402 , Τ.Κ.64003) εντός 10 ημερών από την ημερομηνία αγοράς.
2. Η εργοστασιακή εγγύηση καλύπτει τον χρόνο που αναγράφεται στον σχετικό πίνακα για κάθε συσκευή, κάθε ανωμαλία ή βλάβη που οφείλεται αποκλειστικά σε κατασκευαστικό ελάττωμα ή ελαττωματικό εξάρτημα της συσκευής. Η αποκατάσταση της βλάβης γίνεται εντελώς δωρεάν δια της αντικατάστασης ή επισκευής του ελαττωματικού εξαρτήματος. Σε καμία περίπτωση δεν προβλέπεται η **αντικατάσταση** της συσκευής. Ο καταναλωτής οφείλει με δικές του δαπάνες να πάει την συσκευή στο κοντινότερο εξουσιοδοτημένο service της εταιρίας.
3. Η εταιρεία μας διατηρεί το δικαίωμα να καθορίζει τον τρόπο και τόπο επισκευής των βλαβών κατά την απόλυτη κρίση της .
4. Η εγγύηση δεν καλύπτει βλάβες που οφείλονται άμεσα ή έμμεσα σε αμέλεια , παράλειψη , κακή εγκατάσταση και πάσης φύσεως επέμβαση στη συσκευή από μη εξουσιοδοτημένο συνεργείο , κακή χρήση και ελλιπή συντήρηση της συσκευής. Επίσης η εταιρεία μας δεν ευθύνεται για βλάβες που οφείλονται σε κακή ηλεκτρική σύνδεση σε τάση διαφορετική από την αναγραφόμενη στη πινακίδα της συσκευής , σε μη γειωμένο ρευματοδότη ή σε μεταβολές της τάσης. Στις καλύψεις της εγγύησης δεν συμπεριλαμβάνονται τα εύθραυστα εξαρτήματα όπως ενδεικτικά αναφέρουμε :γυάλινες και πλαστικές επιφάνειες , λυχνίες κ.α.
5. Η εγγύηση παρέχεται προς τον αρχικό αγοραστή και ισχύει από την ημερομηνία αγοράς της συσκευής.
6. Η παρούσα εγγύηση πρέπει να συνοδεύεται από τιμολόγιο ή δελτίο λιανικής πώλησης ή φωτοαντίγραφο **αυτού**.

Αποφύγετε την αλλοίωση της εγγύησης και της πινακίδας μητρώου που βρίσκεται στο πίσω μέρος της συσκευής.

Φυλάξτε την εγγύηση και μετά την λήξη της.

Προσκομίστε την σε κάθε αίτημα για επισκευή.

### ΠΡΟΣΟΧΗ

ΣΕ ΠΕΡΙΠΤΩΣΗ ΠΟΥ ΔΕΝ ΣΤΑΛΕΙ Η ΚΑΡΤΑ ΕΓΓΥΗΣΕΩΣ ΕΝΤΟΣ 10 ΗΜΕΡΩΝ ΣΤΗΝ ΕΤΑΙΡΕΙΑ ΔΕΝ ΙΣΧΥΕΙ Η ΕΓΓΥΗΣΗ ΤΗΣ ΣΥΣΚΕΥΗΣ ΠΟΥ ΕΠΙΛΕΞΑΤΕ

#### SERVICE ΛΕΥΚΩΝ ΣΥΣΚΕΥΩΝ

<b>ΑΘΗΝΑ</b> ΜΑΚΡΗΣ ΦΩΤΙΟΣ	210 2116649 6932366733	<b>ΘΕΣΣΑΛΟΝΙΚΗ</b> ΓΙΑΓΟΥΡΗΣ Π. Κ ΣΙΑ Ο.Ε.	6947424284 6936065106
<b>ΠΑΤΡΑ</b> ΧΟΡΜΠΑΣ ΝΙΚΟΛΑΟΣ	2610 640810 6932 437700	<b>ΒΟΛΟΣ</b> ΝΑΟΥΜΙΔΗΣ ΓΕΩΡΓΙΟΣ	22410 94130 6981972363
<b>ΙΩΑΝΝΙΝΑ</b> ΤΣΟΥΓΓΙΑΣ ΧΡΗΣΤΟΣ	26510 31947 6945 306990	<b>ΚΟΜΟΤΗΝΗ</b> ΠΑΠΑΖΟΥΔΗΣ ΚΩΝΣΤΑΝΤΙΝΟΣ	25310 33711 6932 587473

#### SERVICE ΘΗΛΕΟΡΑΣΕΩΝ – HIFI

<b>ΑΘΗΝΑ</b> ΜΑΝΩΛΟΠΟΥΛΟΣ ΓΕΩΡΓΙΟΣ	210 8836512	<b>ΘΕΣΣΑΛΟΝΙΚΗ</b> ΣΑΜΙΟΣ ΠΑΡΑΣΧΟΣ	2310 429229
<b>ΠΑΤΡΑ</b> ΗΛΙΟΠΟΥΛΟΣ ΔΗΜΗΤΡΙΟΣ	2610 622388	<b>ΒΟΛΟΣ</b> ΜΑΡΓΑΡΙΤΟΥΛΗΣ ΘΕΟΔΩΡΟΣ	24210 30113



ΠΡΟΣ : 

**ΠΑΡ. ΣΕΪΤΑΝΙΔΗΣ Α.Ε.**

**ΠΟΛΥΣΤΥΛΟ ΚΑΒΑΛΑΣ**  
**Τ.Θ 1402 , Τ.Κ.64003**  
**ΤΗΛ 2510 392180-3**

ΧΩΡΟΣ  
ΓΡΑΜ / ΜΟΥ