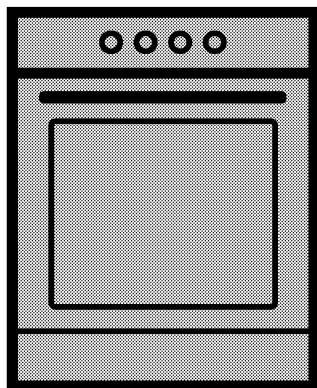


Oven

User manual



CSG 42010 DWN

EN | **FR** | **DE**

585.3003.66/R.AB/14.11.2017/2-1

Please read this user manual first!

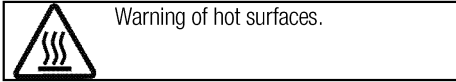
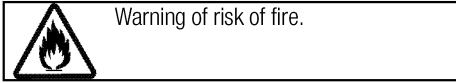
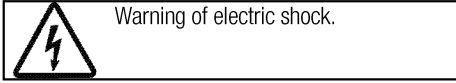
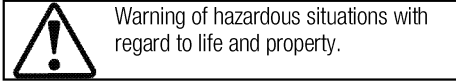
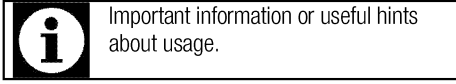
Dear Customer,

Thank you for purchasing this Beko product. We hope that you get the best results from your product which has been manufactured with high quality and state-of-the-art technology. Therefore, please read this entire user manual and all other accompanying documents carefully before using the product and keep it as a reference for future use. If you handover the product to someone else, give the user manual as well. Follow all warnings and information in the user manual.

Remember that this user manual is also applicable for several other models. Differences between models will be identified in the manual.

Explanation of symbols

Throughout this user manual the following symbols are used:



Arçelik A.Ş.
Karaağaç caddesi No:2-6
34445 Söğütözü/İstanbul/TURKEY
Made in TURKEY



This product was manufactured using the latest technology in environmentally friendly conditions.

TABLE OF CONTENTS

1 Important instructions and warnings for safety and environment 4

General safety	4
Safety when working with gas.....	4
Product safety	6
Intended use	8
Safety for children.....	8
Disposing of the old product	8
Package information	8

2 General information 9

Overview	9
Package contents	10
Technical specifications	11
Injector table	11

3 Installation 12

Before installation	12
Installation and connection	13
Gas conversion	15
Future Transportation.....	18

4 Preparation 19

Tips for saving energy	19
Initial use.....	19
First cleaning of the appliance	19
Initial heating.....	19

5 How to use the hob 20

General information about cooking	20
Using the hobs.....	20

6 How to operate the oven 22

General information on baking, roasting and grilling.....	22
How to use the gas oven.....	22
Cooking times table.....	23
How to operate the gas grill	24
Cooking times table.....	24

7 Maintenance and care 25

General information	25
Cleaning the hob	25
Cleaning the control panel	25
Cleaning the oven	26
Removing the oven door	26
Removing the door inner glass.....	27

8 Troubleshooting 28

1 Important instructions and warnings for safety and environment

This section contains safety instructions that will help protect from risk of personal injury or property damage. Failure to follow these instructions shall void any warranty.

General safety

- This appliance can be used by children aged from 8 years and above and persons with reduced physical, sensory or mental capabilities or lack of experience and knowledge if they have been given supervision or instruction concerning use of the appliance in a safe way and understand the hazards involved.

Children shall not play with the appliance. Cleaning and user maintenance shall not be made by children without supervision.

- The appliance is not to be used by persons (including children) with reduced physical, sensory or mental capabilities, or lack of experience and knowledge, unless they have been given supervision or instruction. Children should be supervised and ensure they do not play with the appliance
- If the product is handed over to someone else for personal use or second-hand use purposes, the

user manual, product labels and other relevant documents and parts should be also given.

- Never place the product on a carpet-covered floor. Otherwise, lack of airflow beneath the product will cause electrical parts to overheat. This will cause problems with your product.
- Installation and repair procedures must always be performed by Authorised Service Agents. The manufacturer shall not be held responsible for damages arising from procedures carried out by unauthorised persons which may also void the warranty. Before installation, read the instructions carefully.
- Do not operate the product if it is defective or has any visible damage.
- Ensure that the product function knobs are switched off after every use.

Safety when working with gas

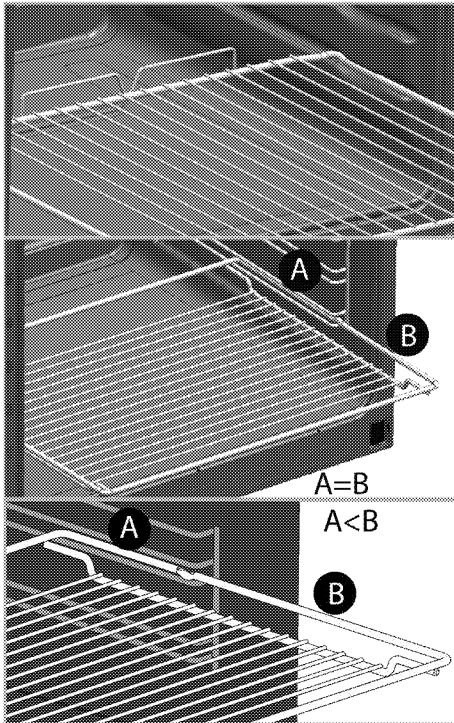
- Any works on gas equipment and systems may only be carried out by authorised qualified persons who are Gas Safe registered.
- Prior to the installation, ensure that the local distribution conditions (nature of the gas and

- gas pressure) and the adjustment of the appliance are compatible.
- This appliance is not connected to a combustion products or evacuation device. It shall be installed and connected in accordance with current installation regulations. Particular attention shall be given to the relevant requirements regarding ventilation; See *Before installation, page 12*
 - CAUTION: The use of gas cooking appliance results in the production of heat and moisture in the room in which it is installed. Ensure that the kitchen is well ventilated: keep natural ventilation holes open or install a mechanical ventilation device (mechanical extractor hood). Prolonged intensive use of the appliance may call for additional ventilation, for example increasing the level of the mechanical ventilation where present.
 - Gas appliances and systems must be regularly checked for proper functioning. Regulator, hose and its clamp must be checked regularly and replaced within the periods recommended by its manufacturer or when necessary.
 - Clean the gas burners regularly. The flames should be blue and burn evenly.
 - This product should be used in a room which incorporates a properly adjusted and functioning Carbon Monoxide sensor. Make sure the Carbon Monoxide sensor works properly and is maintained frequently. Carbon Monoxide sensor should be installed maximum 2 meters away from the product.
 - Good combustion is required in gas appliances. In case of incomplete combustion, carbon monoxide (CO) might develop. Carbon monoxide is a colourless, odourless and very toxic gas, which has a lethal effect even in very small doses.
 - Request information about gas emergency telephone numbers and safety measures in case of gas smell from you local gas provider.
- What to do when you smell gas**
- Do not use open flame or do not smoke. Do not operate any electrical buttons (e.g. lamp button, door bell and etc.) Do not use fixed or mobile phones. Risk of explosion and toxication!
 - Open doors and windows.
 - Turn off all valves on gas appliances and gas meter at the main control valve, unless it's in a confined space or cellar.

- Check all tubes and connections for tightness. If you still smell gas leave the property.
- Warn the neighbours.
- Call the fire-brigade. Use a telephone outside the house.
- Do not re-enter the property until you are told it is safe to do so.

Product safety

- **WARNING:** The appliance and its accessible parts become hot during use. Care should be taken to avoid touching heating elements. Children less than 8 years of age shall be kept away unless continuously supervised.
- Never use the product when your judgment or coordination is impaired by the use of alcohol and/or drugs.
- Be careful when using alcoholic drinks in your dishes. Alcohol evaporates at high temperatures and may cause fire since it can ignite when it comes into contact with hot surfaces.
- Food Poisoning Hazard: Do not let food sit in oven for more than 1 hour before or after cooking. Doing so can result in food poisoning or sickness.
- Do not place any flammable materials close to the product as the sides may become hot during use.
- During use the appliances becomes hot. Care should be taken to avoid touching heating elements inside the oven.
- Keep all ventilation slots clear of obstructions.
- Do not heat closed tins and glass jars in the oven. The pressure that would build-up in the tin/jar may cause it to burst.
- Do not place baking trays, dishes or aluminium foil directly onto the bottom of the oven. The heat accumulation might damage the bottom of the oven.
- Do not use harsh abrasive cleaners or sharp metal scrapers to clean the oven door glass since they can scratch the surface, which may result in shattering of the glass.
- Do not use steam cleaners to clean the appliance as this may cause an electric shock.
- (Varies depending on the product model.)
Placing the wire shelf and tray onto the wire racks properly
It is important to place the wire shelf and/or tray onto the rack properly. Slide the wire shelf or tray between 2 rails and make sure that it is balanced before placing food on it (Please see the following figure).



- Do not use the product if the front door glass removed or cracked.
- Do not use the oven handle to hang towels for drying. Do not hang up towel, gloves, or similar textile products when the grill function is at open door.
- Always use heat resistant oven gloves when putting in or removing dishes into/from the hot oven.
- Place the baking paper into the cooking pot or on to the oven accessory (tray, wire grill etc) together with the food and then insert all into the preheated oven. Remove the excess parts of the baking paper overflowing from the

accessory or the pot in order to prevent the risk of touching the oven's heating elements. Never use the baking paper in an operating temperature higher than the indicated value for the baking paper. Do not place the baking paper directly on the base of the oven.

- Do not close the top cover before the hotplates or burners cool down.
Wipe the top cover dry before opening it in order to avoid water leakage to the rear and inner sections of the oven.
- The appliance must not be installed behind a decorative door in order to avoid overheating.
- Product must be placed directly on the floor. It must not be placed onto a base or a pedestal.
- **WARNING:** Unattended cooking on a hob with fat or oil can be dangerous and may result in fire. NEVER try to extinguish a fire with water, but switch off the appliance and then cover flame e.g. with a lid or a fire blanket.
- **CAUTION:** The cooking process has to be supervised. A short term cooking process has to be supervised continuously.
- **WARNING:** Danger of fire: Do not store items on the cooking surfaces.

Prevention against possible fire risk!

- Ensure all electrical connections are secure and tight to prevent risk of arcing.
- Do not use damaged cables or extension cables.
- Ensure liquid or moisture is not accessible to the electrical connection point.
- To prevent gas leakage ensure that the gas connection is sound.

Intended use

- This product is designed for domestic use. Commercial use will void the guarantee.
- **CAUTION:** This appliance is for cooking purposes only. It must not be used for other purposes, for example room heating.
- This product should not be used for warming the plates under the grill, drying towels, dish cloths etc. by hanging them on the oven door handles. This product should also not be used for room heating purposes.
- The manufacturer shall not be liable for any damage caused by improper use or handling errors.
- The oven can be used for defrosting, baking, roasting and grilling food.

Safety for children

- **WARNING:** Accessible parts may become hot during use. Young children should be kept away.

- The packaging materials will be dangerous for children. Keep the packaging materials away from children. Please dispose of all parts of the packaging according to environmental standards.
- Electrical and/or gas products are dangerous to children. Keep children away from the product when it is operating and do not allow them to play with the product.
- An additional protective means to avoid contact with the oven door is available. This part should be fitted when young children are likely to be present.
- Do not place any items above the appliance that children may reach for.
- When the door is open, do not load any heavy object on it and do not allow children to sit on it. It may overturn or door hinges may get damaged.

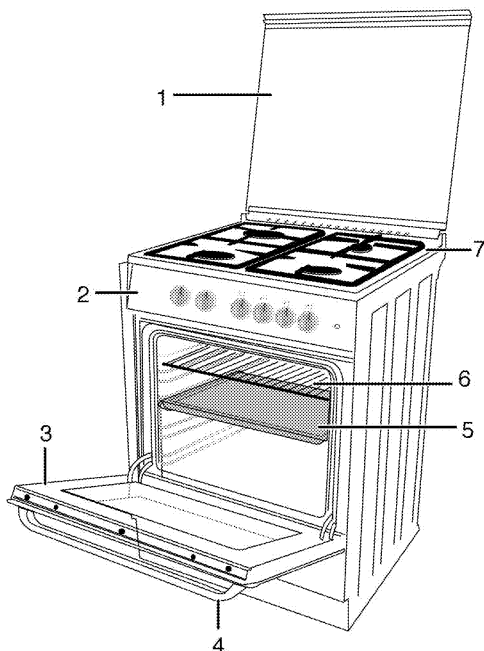
Disposing of the old product

Package information

- Packaging materials of the product are manufactured from recyclable materials in accordance with our National Environment Regulations. Do not dispose of the packaging materials together with the domestic or other wastes. Take them to the packaging material collection points designated by the local authorities.

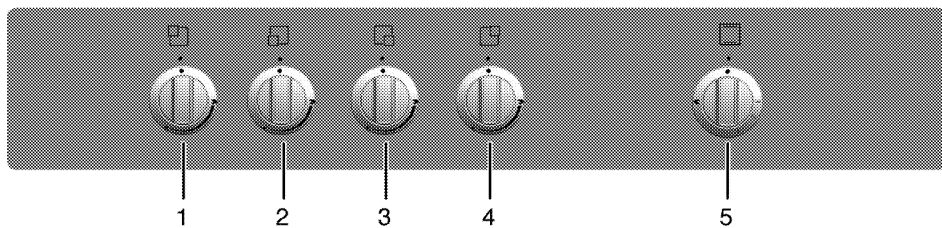
2 General information

Overview



- 1 Top lid
- 2 Control panel
- 3 Front door
- 4 Handle

- 5 Tray
- 6 Wire shelf
- 7 Burner plate



- 1 Normal burner Rear left
- 2 Auxiliary burner Front left
- 3 Rapid burner Front right
- 4 Normal burner Rear right
- 5 Oven knob

Package contents

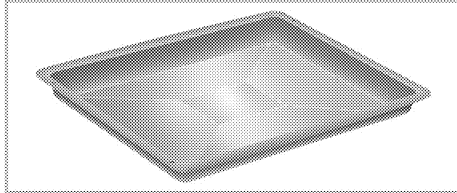


Accessories supplied can vary depending on the product model. Not every accessory described in the user manual may exist on your product.

1. **User manual**

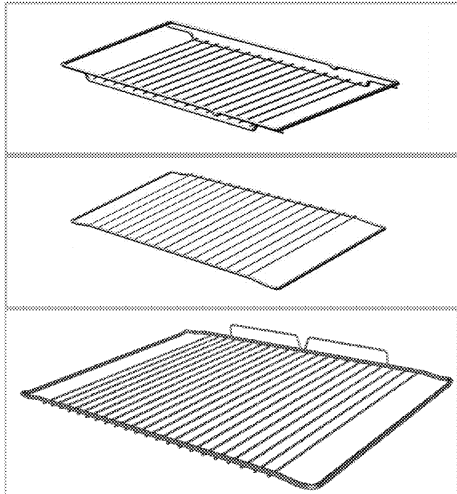
2. **Standard tray**

Used for pastries, frozen foods and big roasts.



3. **Wire grill**

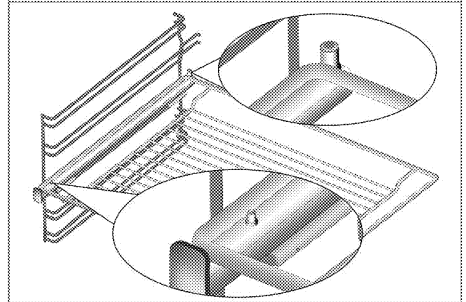
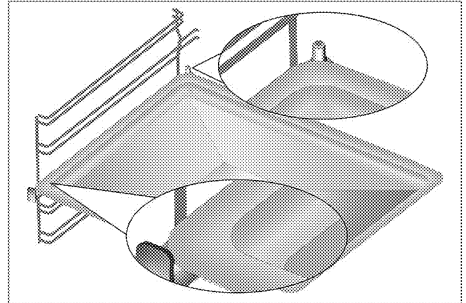
Used for roasting and for placing the food to be baked, roasted or cooked in casserole dishes to the desired rack.



4. **Placing the wire shelf and tray onto the telescopic racks properly**
(This feature is optional. It may not exist on your product.)

Telescopic racks allow you to install and remove the trays and wire shelf easily.

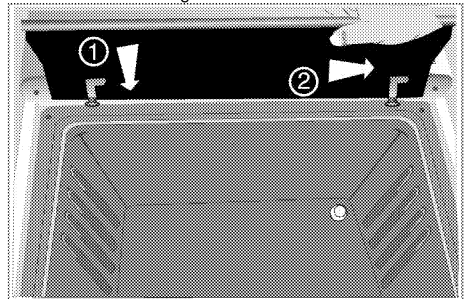
When using the tray and wire shelf with telescopic racks, make sure that the pins at the rear section of the telescopic rack stands against the edges of the wire shelf and tray.



5. **Knob protection sheet**

Used for grilling with the oven door open.

Protects the control panel and buttons against heat and soiling.



Technical specifications

GENERAL	
External dimensions (height / width / depth)	850 mm/500 mm/500 mm
Category of gas product	II 2H3+
Gas type / pressure	NG G 20/20 mbar
Total gas consumption	9.5 kW
Converting the gas type / pressure ^S	LPG G 30/28-30 mbar
– optional	Propane 31/37 mbar
HOB	
Burners	
Rear left	Normal burner
Power	2 kW
Front left	Auxiliary burner
Power	1kW
Front right	Rapid burner
Power	2,5 kW
Rear right	Normal burner
Power	2 kW
OVEN/GRILL	
Main oven	Gas oven
Grill power consumption	2.0 kW
Gas consumption of oven	2.0 kW



Technical specifications may be changed without prior notice to improve the quality of the product.



Figures in this manual are schematic and may not exactly match your product.



Values stated on the product labels or in the documentation accompanying it are obtained in laboratory conditions in accordance with relevant standards. Depending on operational and environmental conditions of the product, these values may vary.

Injector table

Position hob zone	2 kW Rear left	1kW Front left	2,5 kW Front right	2 kW Rear right
Gas type / Gas pressure				
G 20/20 mbar	103	72	125	103
G 30/28-30 mbar	72	50	80	72
G 31/ 37 mbar	72	50	80	72
Gas type / Gas pressure	Gas oven		Grill	
G 20/20 mbar	105		105	
G 30/28-30 mbar	71		71	
G 31/ 37 mbar	71		71	

3 Installation

Product must be installed by a qualified person in accordance with the regulations in force. The manufacturer shall not be held responsible for damages arising from procedures carried out by unauthorized persons which may also void the warranty.



Preparation of location and electrical and gas installation for the product is under customer's responsibility.



DANGER:

The product must be installed in accordance with all local gas and/or electrical regulations.



DANGER:

Prior to installation, visually check if the product has any defects on it. If so, do not have it installed.

Damaged products cause risks for your safety.

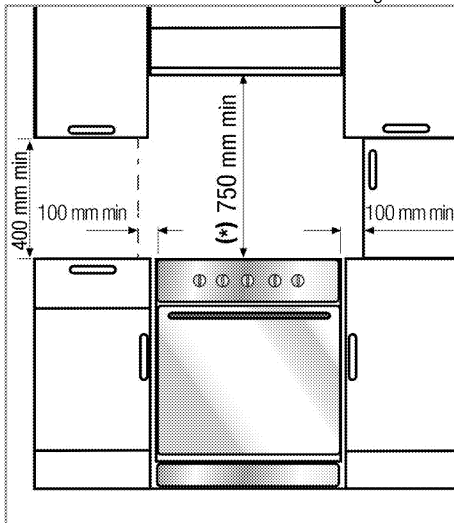
Before installation

To ensure that critical air gaps are maintained under the appliance, we recommend that this appliance is mounted on a solid base and that the feet do not sink into any carpet or soft flooring.

The kitchen floor must be able to carry the weight of the appliance plus the additional weight of cookware and bakeware and food.

If the range is placed on a base, measures have to be taken to prevent the appliance slipping from the base.

The appliances must not be installed behind a decorative door in order to avoid overheating.



- It can be used with cabinets on either side but in order to have a minimum distance of 400mm above hotplate level allow a side clearance of 65mm between the appliance and any wall, partition or tall cupboard.
- It can also be used in a free standing position. Allow a minimum distance of 750 mm above the hob surface.
- (*) If a cooker hood is to be installed above the cooker, refer to cooker hood manufacturer' instructions regarding installation height (min 650 mm).
- The appliance corresponds to device class 1, i.e. it may be placed with the rear and **one** side to kitchen walls, kitchen furniture or equipment of any size. The kitchen furniture or equipment on the **other** side may only be of the same size or smaller.
- Any kitchen furniture next to the appliance must be heat-resistant (100 °C min.).

Room ventilation

All rooms require an openable window, or equivalent, and some rooms will require a permanent vent as well. The air for combustion is taken from the room air and the exhaust gases are emitted directly into the room. Good ventilation is essential for safe operation of your appliance.

Rooms with doors and/or windows which open directly to the outer environment

The doors and/or windows that open directly to the outer environment must have a total ventilation opening of the dimensions specified in the table below which is based on the total gas power of the appliance (total gas power consumption of the appliance is shown in the technical specification table of this user manual). If the doors and/or windows do not have a total ventilation opening corresponding to the total gas consumption of the appliance as specified in the table below, then there must definitely be an additional fixed ventilation opening in the room to ensure that the total minimum ventilation requirements for the total gas consumption of the appliance is achieved. The fixed ventilation opening can include openings for existing airbricks, extraction hood ducting opening dimension etc.

Total gas consumption (kW)	min. Ventilation opening (cm ²)
0-2	100
2-3	120
3-4	175
4-6	300
6-8	400
8-10	500
10-11.5	600
11.5-13	700
13-15.5	800
15.5-17	900
17-19	1000
19-24	1250

Rooms that do not have openable doors and/or windows that open directly to the outer environment

If the room where the appliance is installed does not have a door and/or a window that opens directly to the outer environment, other products shall be sought that definitely provide a fixed nonadjustable and non-closable ventilation opening which meets the total minimum ventilation opening requirements for the total gas consumption of the appliance as indicated in the above table. Also the appropriate building regulations advise should be followed.


Where a room or internal space contains more than one gas appliance, additional ventilation area shall be provided on top of the requirement given in the table above. Size of additional ventilation area shall be appropriate to regulations of other gas appliances. There should also be a minimum clearance of 10mm on the bottom edge of the door that opens to the inner environment in the room where the appliance is installed. You must ensure that items such as carpets and other floorcoverings etc., do not affect the clearance when the door is closed.

The cooker may be located in a kitchen, kitchen/diner or a bed-sitting room, but not in a room containing a bath or a shower. The cooker must not be installed in a bed-sitting room of less than 20m³.

Do not install this appliance in a room below ground level unless it is open to ground level on at least one side.

Installation and connection

Product can only be installed and connected in accordance with the statutory installation rules.

 Do not install the product next to refrigerators or freezers. The heat emitted by the product will increase the energy consumption of cooling appliances.

- Carry the product with at least two persons.
- Product must be placed directly on the floor. It must not be placed onto a base or a pedestal.



Do not use the door and/or handle to carry or move the product. The door, handle or hinges get damaged.

Gas connection



DANGER:

Product can be connected to gas supply system only by an authorised and qualified person or technician with licence. Risk of explosion or toxication due to unprofessional repairs!

Manufacturer shall not be held responsible for damages arising from procedures carried out by unauthorised or unlicensed persons.



DANGER:

Before starting any work on the gas installation, disconnect the gas supply. There is the risk of explosion!

- Gas adjustment conditions and values are stated on labels (or ion type label).

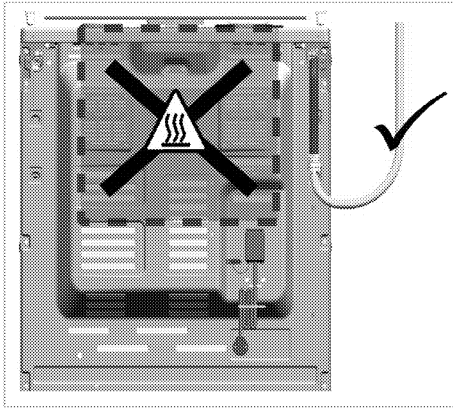


Your product is equipped for natural gas (NG).

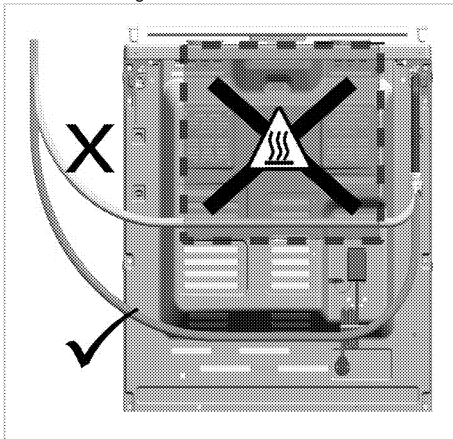
- Natural gas installation must be prepared suitably for the assembly before installing the product.
- Gas connection of your product will be performed by the authorised service.
- There must be a flex pipe at the outlet of the installation for the natural gas connection of your product and the tip of this pipe must be sealed with a blind plug. The blind plug will be removed during connection and your product will be connected by means of a flat connection device (sleeve).
- Make sure that the natural gas valve is readily accessible.
- If you need to use your product later with a different type of gas, you must consult the authorised service for the related conversion procedure.

If your product has only one gas outlet;

- Before connecting the gas hose, make sure that the gas hose outlet at the back of the product is on the same side of the product as the natural gas valve.

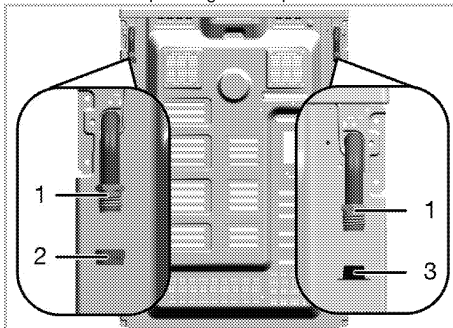


- If the gas hose outlet and the natural gas valve do not face on the same side, make sure that the hose does not pass through the hot area when connecting it.

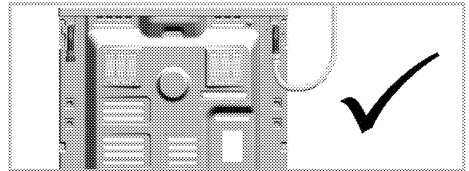


If your product has two gas outlets;

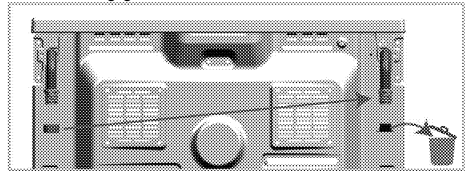
- One of the two outlets is sealed with a blind plug and the other one with a plastic plug. Locations of the blind plug and plastic plug may be different depending on the product.



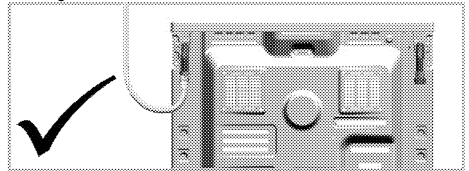
- 1 Gas hose outlet
 - 2 Blind plug
 - 3 Plastic plug
- Before gas connection, make sure that the natural gas valve and the gas hose outlet of the product to be connected to the gas is on the same side.
 - If the natural gas valve and the gas hose outlet sealed with plastic plug face on the same side, make the gas connection as shown in the figure below.



- If the natural gas valve and the gas hose sealed with blind plug face on the same side, remove and dispose the plastic plug. Take out the blind plug and close the gas hose outlet where gas connection will not be made with a new (unused) sealing gasket.



- Make the gas connection as shown in the figure below on the gas hose outlet near the natural gas valve.





Risk of fire:

If you do not make the connection according to the instructions below, there will be the risk of gas leakage and fire. **Our company cannot be held responsible for damages resulting from this.**

- Gas connection must be made by the authorised service provider only.
- Gas connection of the product must definitely be made through the gas hose outlet near the natural gas valve.
- Plastic plug must be disposed, and the gas hose outlet that will not be used must be sealed with the blind plug.

- When closing the gas hose outlet that will not be used, you must definitely use a new and unused sealing gasket.

DANGER:

 The flexible gas hose must be connected in a way that it does not contact the moving parts around it and is not trapped when the moving parts are travelling. (e.g. drawers). Besides, it should not be placed in spaces where it might get squeezed.

DANGER:

 The gas hose must not be clamped, bent or trapped or come into contact with hot parts of the product. There is the risk of explosion due to damaged gas hose.

Leakage check at the connection point

- Make sure that all knobs on the product are turned off. Make sure that the gas supply is open. Prepare soapy foam and apply it onto the connection point of the hose for gas leakage control.
- Soapy part will froth if there is a gas leakage. In this case, inspect the gas connection once again.
- If your product has two gas hose outlets,** make sure that the unused gas outlet is sealed with a blind plug. Prepare soapy foam and apply it onto the connection point of the blind plug to check for gas leaks. Soapy part will froth if there is a gas leakage. In this case, inspect the blind plug connection again.
- Instead of soap, you can use commercially available sprays for gas leak check.

i Never use a match or lighter to make the gas leakage control.


- Push the product towards the kitchen wall.
- Adjusting the feet of oven**
 Vibrations during use may cause cooking vessels to move. This dangerous situation can be avoided if the product is level and balanced. For your own safety please ensure the product is level by adjusting the four feet at the bottom by turning left or right and align level with the work top.

Final check

- Open gas supply.
- Check gas installations for secure fitting and tightness.
- Ignite burners and check appearance of the flame.

i Flame must be blue and have a regular shape. If the flame is yellowish, check if the burner cap is seated securely or clean the burner.

Gas conversion

DANGER:

 Before starting any work on the gas installation, disconnect the gas supply. There is the risk of explosion!

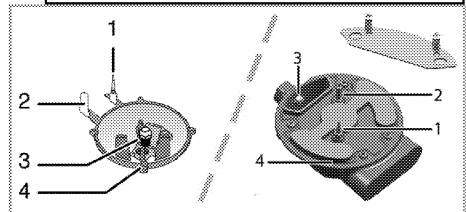
In order to change your appliance's gas type, change all injectors and make flame adjustment for all valves at reduced flow rate position.

Exchange of injector for the burners

- Take off burner cap and burner body.
- Unscrew injectors by turning the counter-clockwise.
- Fit new injectors.
- Check all connections for secure fitting and tightness.

i New injectors have their position marked on their packing or injector table on *Injector table, page 11* can be referred to.

i ((Varies depending on the product model.))
 On some hob burners, the injector is covered with a metal piece. This metal cover must be removed for injector replacement.



- Flame failure device (model dependant)
- Spark plug
- Injector
- Burner

i Unless there is an abnormal condition, do not attempt to remove the gas burner taps. You must call an Authorised service agent or technician with licence if it is necessary to change the taps.

Reduced gas flow rate setting for hob taps

- Ignite the burner that is to be adjusted and turn the knob to the reduced position.
- Remove the knob from the gas tap.

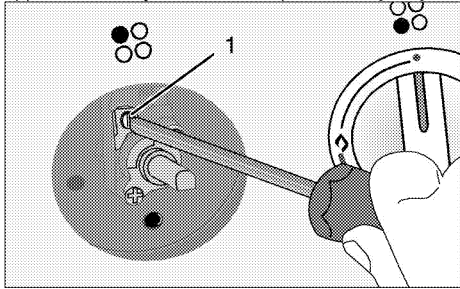
- Use an appropriately sized screwdriver to adjust the flow rate adjustment screw.

For LPG (Butane - Propane) turn the screw clockwise. For the natural gas, you should turn the screw **counter-clockwise** once.

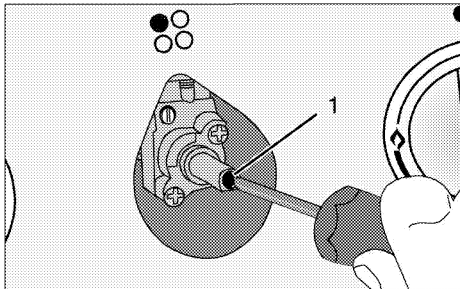
» The normal length of a straight flame in the reduced position should be 6-7 mm.

- If the flame is higher than the desired position, turn the screw clockwise. If it is smaller turn anticlockwise.
- For the last control, bring the burner both to high-flame and reduced positions and check whether the flame is on or off.

Depending on the type of gas tap used in your appliance the adjustment screw position may vary.



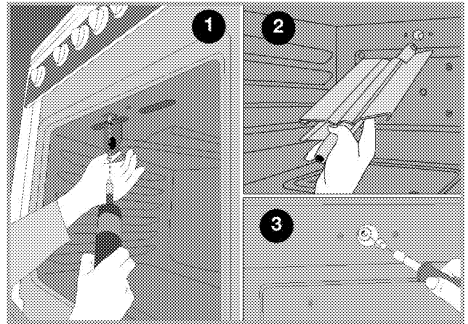
1 Flow rate adjustment screw



1 Flow rate adjustment screw

Exchange of injector for the grill

- Open front door.
- Unscrew fastening screw of the burner.
- Remove burner.
- Unscrew injector by turning counter-clockwise direction.
- Fit new injector.



Reduced flow adjustment for the gas oven

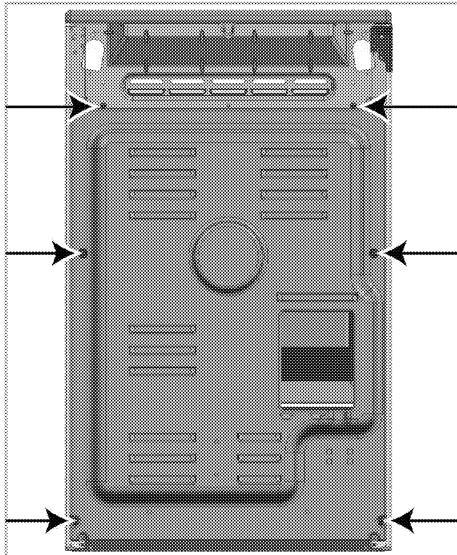
For the appropriate functioning of the oven re-checking the by-pass adjustment is extremely important. In order to provide maximum security to the user these operations have to be done with care.

- Ignite the burner that is to be adjusted and turn the knob to the high flame position.
- Close the oven door and wait for 10 to 15 minutes until the oven becomes ready for adjustment.
- Take out the knob
- After 15 minutes, adjust the oven to the lowest flame position.
- Set the flame length to 2 to 3 mm by means of the screw 1 on the oven tap. Turning in clockwise direction reduces the flame, turning counter-clockwise increases the flame.

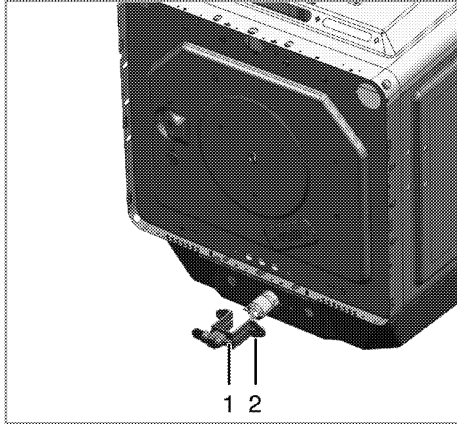
i	If gas flow rate of oven cannot be set with removing knob, please remove the needed oven parts (control panel, burner plate etc.) and then set the gas flow rate of oven.
i	If the temperature of the oven increases unintendedly, turn off the oven and call the authorised service agent or technician with licence to have oven thermostat repaired.

Exchange of injector for the oven

- Unscrew fastening screws of the back wall.

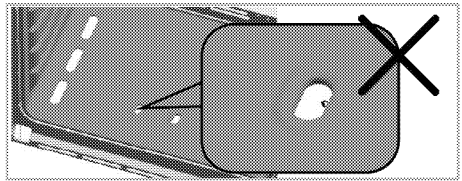


2. Unscrew the 2 screws (2) of the injector holder (1).

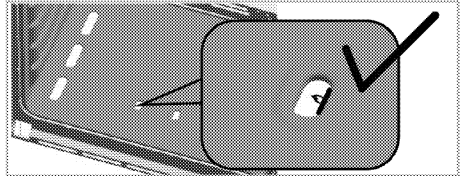


- 1 Injector holder
- 2 Screw
3. Pull out the injector holder.
4. Unscrew injector by turning to counter-clockwise direction.
5. Fit new injector.

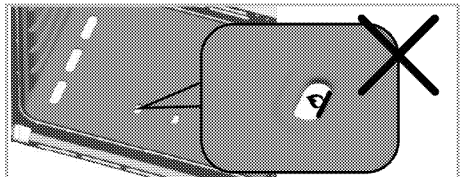
Set the flame to optimum length as shown in figure below by means of the screw 1 on the oven tap. Turning clockwise direction reduces the flame, turning counter-clockwise increases the flame.



If the flame is too small,
* oven temperature can be too low, thus cooking performance can be affected adversely.



Ideal flame length provides the best performance.



If the flame is too big,
* oven temperature can be too high, thus cooking performance can be affected adversely.



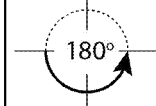
After making gas flame adjustment open and close the door repeatedly and make sure that oven flame does not go out.





If the gas type of the unit is changed, then the rating plate that shows the gas type of the unit must also be changed.


Natural gas to Butane/propane (LPG)	Butane/propane (LPG) to Natural Gas (G20 20mbar/ G25 25 mbar / G25.3 25mbar)
-------------------------------------	--

Tighten the screw by turning it clockwise until the end.	Loosen the screw
	180° (approximately)




Natural gas to Butane/propane (LPG)	Butane/propane (LPG) to Natural Gas (G20 10mbar/ G20 13 mbar)
Tighten the screw by turning it clockwise until the end.	Loosen the screw 270° (approximately)
	


Natural gas to Butane/propane (LPG)	Butane/propane (LPG) to Natural Gas (G2 350 13mbar Poland local gas)
Tighten the screw by turning it clockwise until the end.	Loosen the screw 360° (approximately)
	

 Reduced flow adjustment can vary depending on the product, burner and gas type. Make sure flame length is in accordance with the figure above.

Future Transportation

- Keep the product's original carton and transport the product in it. Follow the instructions on the carton. If you do not have the original carton, pack the product in bubble wrap or thick cardboard and tape it securely.
- To prevent the wire grill and tray inside the oven from damaging the oven door, place a strip of cardboard onto the inside of the oven door that lines up with the position of the trays. Tape the oven door to the side walls.
- Secure the caps and pan supports with adhesive tape.
- Do not use the door or handle to lift or move the product.

 Do not place any objects onto the product and move it in upright position.

 Check the general appearance of your product for any damages that might have occurred during transportation.

4 Preparation

Tips for saving energy

The following information will help you to use your appliance in an ecological way, and to save energy:

- Use dark coloured or enamel coated cookware in the oven since the heat transmission will be better.
- While cooking your dishes, perform a preheating operation if it is advised in the user manual or cooking instructions.
- Do not open the door of the oven frequently during cooking.
- Try to cook more than one dish in the oven at the same time whenever possible. You can cook by placing two cooking vessels onto the wire shelf.
- Cook more than one dish one after another. The oven will already be hot.
- Defrost frozen dishes before cooking them.
- Use pots/pans with cover for cooking. If there is no cover, energy consumption may increase 4 times.
- Select the burner which is suitable for the bottom size of the pot to be used. Always select the correct pot size for your dishes. Larger pots require more energy.

Initial use

First cleaning of the appliance



The surface might get damaged by some detergents or cleaning materials.

Do not use aggressive detergents, cleaning powders/creams or any sharp objects during cleaning.

Do not use harsh abrasive cleaners or sharp metal scrapers to clean the oven door glass since they can scratch the surface, which may result in shattering of the glass.

1. Remove all packaging materials.

2. Wipe the surfaces of the appliance with a damp cloth or sponge and dry with a cloth.

Initial heating

Heat up the product for about 30 minutes and then switch it off. Thus, any production residues or layers will be burnt off and removed.



WARNING

Hot surfaces cause burns!

Product may be hot when it is in use. Never touch the hot burners, inner sections of the oven, heaters and etc. Keep children away. Always use heat resistant oven gloves when putting in or removing dishes into/from the hot oven.

Gas oven

1. Take all baking trays and the wire grill out of the oven.
2. Close the oven door.
3. Select the highest flame of the gas oven; see *How to use the gas oven, page 22*.
4. Operate the oven about 30 minutes.
5. Turn off your oven; See *How to use the gas oven, page 22*

Grill oven

1. Take all baking trays and the wire grill out of the oven.
2. Close the oven door.
3. Select the highest flame of the grill oven; see *How to operate the gas grill, page 24*.
4. Operate the oven about 30 minutes.



Smoke and smell may emit for a couple of hours during the initial operation. This is quite normal. Ensure that the room is well ventilated to remove the smoke and smell. Avoid directly inhaling the smoke and the smell that emits.

5 How to use the hob

General information about cooking



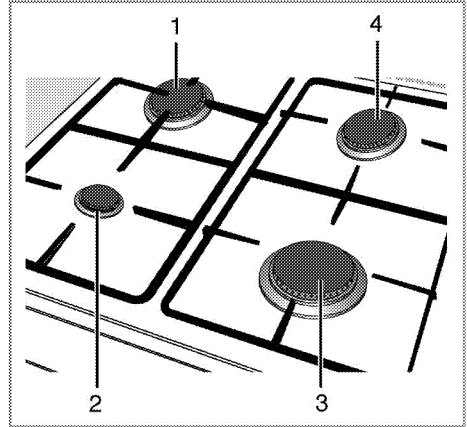
Never fill the pan with oil more than one third of it. Do not leave the hob unattended when heating oil. Overheated oils bring risk of fire. **Never attempt to extinguish a possible fire with water!** When oil catches fire, cover it with a fire blanket or damp cloth. Turn off the hob if it is safe to do so and call the fire department.

- Before frying foods, always dry them well and gently place into the hot oil. Ensure complete thawing of frozen foods before frying.
- Do not cover the vessel you use when heating oil.
- Place the pans and saucepans in a manner so that their handles are not over the hob to prevent heating of the handles. Do not place unbalanced and easily tilting vessels on the hob.
- Do not place empty vessels and saucepans on cooking zones that are switched on. They might get damaged.
- Operating a cooking zone without a vessel or saucepan on it will cause damage to the product. Turn off the cooking zones after the cooking is complete.
- As the surface of the product can be hot, do not put plastic and aluminum vessels on it. Such vessels should not be used to keep foods either.
- Use flat bottomed saucepans or vessels only.
- Put appropriate amount of food in saucepans and pans. Thus, you will not have to make any unnecessary cleaning by preventing the dishes from overflowing.
Do not put covers of saucepans or pans on cooking zones.
Place the saucepans in a manner so that they are centered on the cooking zone. When you want to move the saucepan onto another cooking zone, lift and place it onto the cooking zone you want instead of sliding it.

Gas cooking

- Size of the vessel and the flame must match each other. Adjust the gas flames so that they will not extend the bottom of the vessel and center the vessel on saucepan carrier.

Using the hobs



- 1 Normal burner 18-20 cm
- 2 Auxiliary burner 12-16 cm
- 3 Rapid burner 20-22 cm
- 4 Normal burner 18-20 cm is list of advised diameter of pots to be used on related burners.



WARNING

Do not use cooking pans beyond the dimension limits given above. Using larger pans causes risk of carbon monoxide poisoning, overheating of adjacent surfaces and control knobs. Using smaller pans causes your risk of being burned by the flame.

Large flame symbol indicates the highest cooking power and small flame symbol indicates the lowest cooking power. In turned off position (top), gas is not supplied to the burners.

Igniting the gas burners

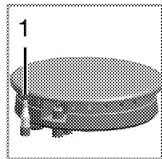
Burner is not equipped with automatic ignition. Use a lighter or match.

1. Keep burner knob pressed.
2. Turn it counter clockwise to large flame symbol.
3. Ignite the hob with lighter.
4. Adjust it to the desired cooking power.

Turning off the gas burners

Turn the knob to off (upper) position.

Gas shut off safety system (in models with thermic component)



1. Gas shut off safety

As a counter measure against blow out due to fluid overflows at burners, safety mechanism trips and shuts off the gas.

- Push the knob inwards and turn it counter clockwise to ignite.

- After the gas ignites, keep the knob pressed for 3-5 seconds more to engage the safety system.
- If the gas does not ignite after you press and release the knob, repeat the same procedure by keeping the knob pressed for 15 seconds.



DANGER:

Release the button if the burner is not ignited within 15 seconds.

Wait at least 1 minute before trying again.

There is the risk of gas accumulation and explosion!

6 How to operate the oven

General information on baking, roasting and grilling



WARNING

Hot surfaces cause burns!
Product may be hot when it is in use. Never touch the hot burners, inner sections of the oven, heaters and etc. Keep children away. Always use heat resistant oven gloves when putting in or removing dishes into/from the hot oven.



DANGER:

Be careful when opening the oven door as steam may escape.
Exiting steam can scald your hands, face and/or eyes.

Tips for baking

- Use non-sticky coated appropriate metal plates or aluminum vessels or heat-resistant silicone moulds.
- Make best use of the space on the rack.
- Place the baking mould in the middle of the shelf.
- Select the correct rack position before turning the oven or grill on. Do not change the rack position when the oven is hot.
- Keep the oven door closed.

Tips for roasting

- Treating whole chicken, turkey and large piece of meat with dressings such as lemon juice and black pepper before cooking will increase the cooking performance.
- It takes about 15 to 30 minutes longer to roast meat with bones when compared to roasting the same size of meat without bones.
- Each centimeter of meat thickness requires approximately 4 to 5 minutes of cooking time.
- Let meat rest in the oven for about 10 minutes after the cooking time is over. The juice is better distributed all over the roast and does not run out when the meat is cut.
- Fish should be placed on the middle or lower rack in a heat-resistant plate.

Tips for grilling

When meat, fish and poultry are grilled, they quickly get brown, have a nice crust and do not get dry. Flat pieces, meat skewers and sausages are particularly suited for grilling as are vegetables with high water content such as tomatoes and onions.

- Distribute the pieces to be grilled on the wire shelf or in the baking tray with wire shelf in such

a way that the space covered does not exceed the size of the heater.

- Slide the wire shelf or baking tray with grill into the desired level in the oven. If you are grilling on the wire shelf, slide the baking tray to the lower rack to collect fats. Add some water in the tray for easy cleaning.



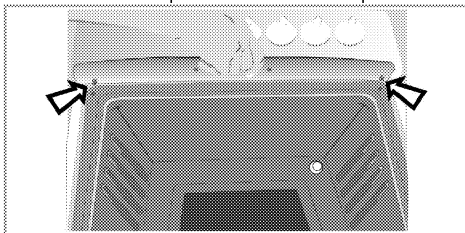
Foods that are not suitable for grilling carry the risk of fire. Only grill food which is suitable for intensive grilling heat.

Do not place the food too far in the back of the grill. This is the hottest area and fatty food may catch fire.

Install knob protection sheet.

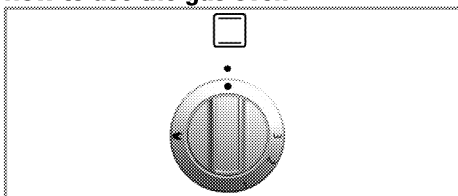
Knob protection sheet is used for grilling with the oven door open. Protects the control panel and buttons against heat and soiling.

1. Open the oven door and place the knob protection sheet onto the pins under the control panel.



» When knob protection sheet is installed, oven door remains open.

How to use the gas oven



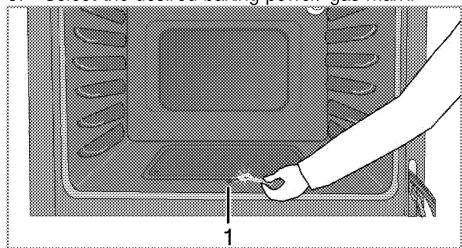
The gas oven is operated by the gas oven control knob. In off position (top) the gas supply is Off.

Switch on the gas oven

The gas oven is ignited with a gas lighter.

1. Open oven door.
2. Keep gas oven control knob pressed and turn it **counterclockwise**.
3. Ignite the gas with the gas lighter from the ignition control hole.
4. Keep the burner control pressed for 3 to 5 seconds.

- » Be sure that gas has ignited and flame is present.
- Keep the burner control pressed for another 3 to 5 seconds.
 - Select the desired baking power/ gas mark.



1 Ignition control hole



DANGER:

There is the risk of gas compression and explosion!

Do not attempt to ignite the gas more than 15 seconds. If the burner is not ignited within 15 seconds, turn off the knob and wait for 1 minute. Ventilate the room before reattempting to ignite the burner. There is the risk of gas compression and explosion!

Switch off the gas oven

- Turn gas oven control knob to off position (top).

Gas level temperature chart

Gas level	1	2	3
°C	[A line graph showing temperature increasing from left to right across the three gas levels, with the highest temperature at level 3.]		

Cooking times table



1st rack of the oven is the **bottom** rack.



Maximum load capacity of oven tray: 4 kg (8.8 lb).



The timings in this chart are meant as a guide. Timings may vary due to temperature of food, thickness, type and your own preference of cooking.

Stand dishes on a baking sheet to prevent spillages onto oven base and help keep oven clean.

Baking and roasting

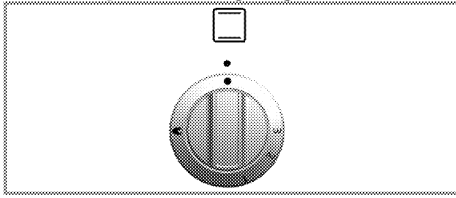
Food	Accessory to use	Preheating *	Insertion level	Control knob position	Cooking time
Apple pie	Round black metal dish with a diameter of 20 cm on wire grill***	10 min.	4..5	1	25..30 min.
Fruit tart	Round black metal dish with a diameter of 20 cm on wire grill***	10 min.	4..5	1	25..35 min.
Pie	Round black metal dish with a diameter of 20 cm on wire grill***	10 min.	3..4	1	30..40 min.
Cookies	Standard tray**	10 min.	4..5	1	25..35 min.
Pastry	Standard tray**	10 min.	5	1	35..45 min.
Cake	Cake mold on wire grill***	10 min.	3	1	30..40 min.
Biscuits	Standard tray**	–	4..5	1	20..30 min.
Roast lamb	Standard tray**	10 min.	4..5	1	35..45 min.per 450 g + 30 min.
Roast Beef	Standard tray**	10 min.	2	1	50..60 min.per 450 g + 30 min.
Turkey	Standard tray**	10 min.	3..4	1	50..60 min.per 450 g + 30 min.
Poultry	Standard tray**	10 min.	3..4	1	30..40 min.per 450 g + 25 min.
Casseroles	Standard tray**	–	4	1	90..120 min. [§]
Fish	Standard tray**	10 min.	3	1	35..45 min.
Macaroni	Standard tray**	10 min.	3..4	1	35..40 min.
Victoria sandwich	Standard tray**	10 min.	3	1	22..28 min.

* at control knob position 2 / § depending on quantity / # depending on size

** These accessories may not be supplied with the product.

*** These accessories are not supplied with the product. They are commercially available accessories.

How to operate the gas grill



Grill is operated with Grill control knob. In turned off position (top), gas is not supplied. Oven door must remain open while grilling.



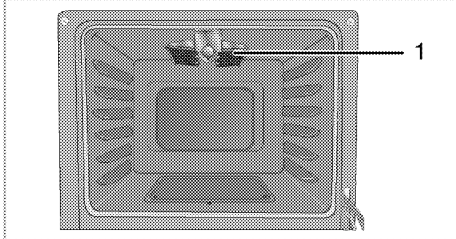
WARNING

Hot surfaces may cause burns! Keep children away from the product.
Oven door remains slightly inclined when opened full and thus, possible splashes to not reach you.

Switching on the grill

Gas grill is ignited with a lighter or match.

1. Open the oven door.
2. Keep the knob pressed and turn it **clockwise** to the Grill symbol.
3. Ignite the gas directly by bringing a lighter or match close to the grill burner.
4. Keep the knob pressed for 3 to 5 seconds more.



1 Grill burner



DANGER:

There is the risk of gas compression and explosion!

Do not attempt to ignite the gas more that 15 seconds. If the burner is not ignited within 15 seconds, turn off the knob and wait for 1 minute. Ventilate the room before reattempting to ignite the burner. There is the risk of gas compression and explosion!

Switching off the grill

1. Turn the Grill control knob to Off (upper) position.



Foods that are not suitable for grilling carry the risk of fire. Only grill food which is suitable for intensive grilling heat.

Do not place the food too far in the back of the grill. This is the hottest area and fatty food may catch fire.

Cooking times table



The timings in this chart are meant as a guide. Timings may vary due to temperature of food, thickness, type and your own preference of cooking.



1st rack of the oven is the **bottom** rack.

Grilling with gas grill

Food	Preparation/setting	Grilling time [#]
Toasting of bread products	3...10 min.
Small cuts of meat, sausages, bacon, etc.	15...20 min.
Chops, gammon steaks, chicken pieces, etc.	Chicken with wire rack in upturned position.	20...25 min.
Whole fish, fish fillets, fish fingers	Whole fish and fish fillets placed in the base of the grill pan.	10...20 min.
Fish in breadcrumbs	15...20 min.
Pre-cooked potato products	15...20 min.
Pizza	Placed in the base of the grill pan.	12...15 min.
Grilling/browning of food	Dish placed directly on the base of the grill compartment.	8...10 min.
[#] depending on size resp. thickness		

7 Maintenance and care

General information

Service life of the product will extend and the possibility of problems will decrease if the product is cleaned at regular intervals.



DANGER:

Disconnect the product from mains supply before starting maintenance and cleaning works.
There is the risk of electric shock!



DANGER:

Allow the product to cool down before you clean it.
Hot surfaces may cause burns!

- Clean the product thoroughly after each use. In this way it will be possible to remove cooking residues more easily, thus avoiding these from burning the next time the appliance is used.
- No special cleaning agents are required for cleaning the product. Use warm water with washing liquid, a soft cloth or sponge to clean the product and wipe it with a dry cloth.
- Always ensure any excess liquid is thoroughly wiped off after cleaning and any spillage is immediately wiped dry.
- Do not use cleaning agents that contain acid or chloride to clean the stainless or inox surfaces and the handle. Use a soft cloth with a liquid detergent (not abrasive) to wipe those parts clean, paying attention to sweep in one direction.
- **(This feature is optional. It may not exist on your product.)**
Do not use solid metal scrapers or abrasive cleaning materials to clean the glass cover. Glass surface can get damaged.



The surface might get damaged by some detergents or cleaning materials.

Do not use aggressive detergents, cleaning powders/creams or any sharp objects during cleaning.

Do not use harsh abrasive cleaners or sharp metal scrapers to clean the oven door glass since they can scratch the surface, which may result in shattering of the glass.



Do not use steam cleaners to clean the appliance as this may cause an electric shock.

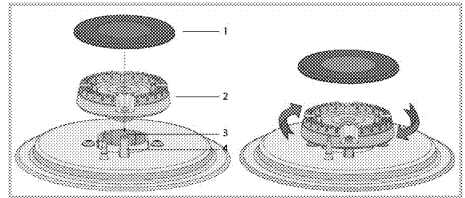
Cleaning the hob

Cleaning the burner

1. Remove the saucepan carriers from the hob.
 2. Remove all removable parts of the burner and clean only by hand with sponge, some detergent and hot water.
 3. Clean the non-removable parts of the burner with a wet cloth.
 4. Clean the plug and thermal element (in models with ignition and thermal element) with a slightly moist cloth. Afterwards, dry with a clean cloth. Make sure that flame holes and plug are totally dry.
- Otherwise, no spark occurs at the end of ignition.
5. When placing the pan supports, pay attention to place the pan supports so that the burners are centered.

Assembling the burner parts

After cleaning the burner, place the parts as shown below.



- 1 Burner cap
 - 2 Burner head
 - 3 Burner chamber
 - 4 Spark plug (in products with igniter)
1. Place the burner head ensuring that it passes through the burner spark plug (4). Turn the burner head right and left to make sure that it is seated in the burner chamber.
 2. Place the burner cap on the burner head.

Cleaning the control panel

Clean the control panel and knobs with a damp cloth and wipe them dry.



If your product is equipped with buttons/knobs do not remove the control buttons/knobs to clean the control panel.

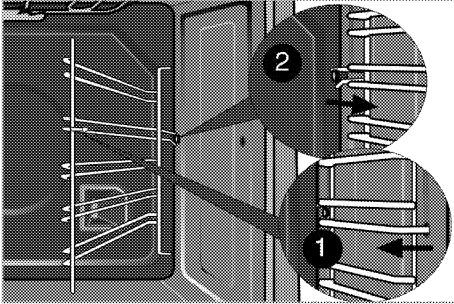
Control panel may get damaged!

Cleaning the oven

To clean the side wall (Varies depending on the product model.)

(This feature is optional. It may not exist on your product.)

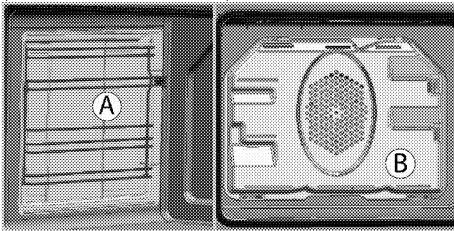
1. Remove the front section of the side rack by pulling it in the opposite direction of the side wall.
2. Remove the side rack completely by pulling it towards you.



Catalytic walls

(This feature is optional. It may not exist on your product.)

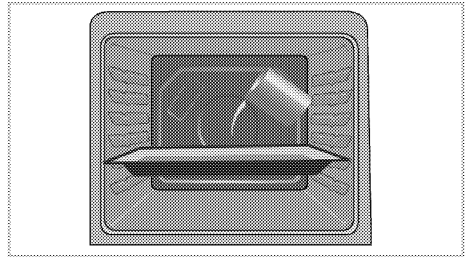
The inner side walls (A) and/or the rear wall (B) of your product may be coated with catalytic enamel. Catalytic walls have a light matte colour and a porous surface. Catalytic walls of the oven should not be cleaned. Porous surfaces of the catalytic walls are automatically cleaned by absorbing and converting the spilled oil (steam and carbon dioxide).



Easy Steam Cleaning

It ensures easy cleaning because the dirt (having waited not for too long) is softened with the steam that forms inside the oven and the water drops condensing on the inner surfaces of the oven.

1. Remove all accessories inside the oven.
2. Pour 300 ml of water into the oven tray and place the tray at the 2nd rack of the oven.



3. Set the oven to easy steam cleaning mode and run at 100°C for 25 minutes.
4. Open the door and wipe the inner surfaces of the oven with a damp sponge or cloth.
5. Use warm water with washing liquid, a soft cloth or sponge to clean the persistent dirt and wipe it with a dry cloth.



During the easy steam cleaning mode, water that is placed in the tray to soften lightly formed residues/dirt within the oven cavity will evaporate and condense in the oven cavity and inner glass of the oven door, therefore water may drip when the oven door is opened. Wipe away the condensation as soon as the oven door is opened.

Clean oven door

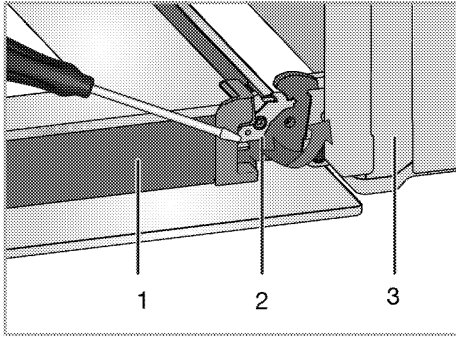
To clean the oven door, use warm water with washing liquid, a soft cloth or sponge to clean the product and wipe it with a dry cloth.



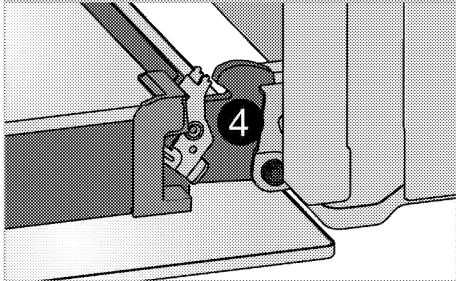
Don't use any harsh abrasive cleaners or sharp metal scrapers for cleaning the oven door. They could scratch the surface and destroy the glass.

Removing the oven door

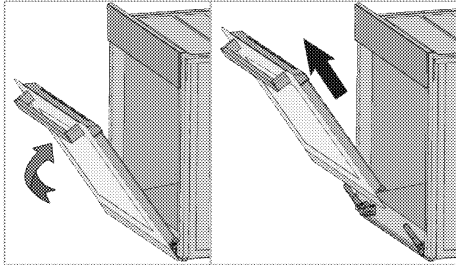
1. Open the front door (1).
2. Open the clips at the hinge housing (2) on the right and left hand sides of the front door by pressing them down as illustrated in the figure.



- 1 Door
- 2 Hinge lock(closed position)
- 3 Oven
- 4 Hinge lock(open position)



- 3. Move the front door to half-way.



- 4. Remove the front door by pulling it upwards to release it from the right and left hinges.

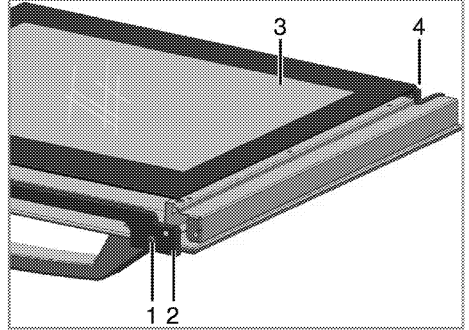
i Steps carried out during removing process should be performed in reverse order to install the door. Do not forget to close the clips at the hinge housing when reinstalling the door.

Removing the door inner glass

(This feature is optional. It may not exist on your product.)

The inner glass panel of the oven door can be removed for cleaning.

- 1. Open the oven door.



- 1 Screw
 - 2 Profile
 - 3 Inner glass pane
 - 4 Plastic slot
2. Take out the screw(1) with a screwdriver
 3. Take out the profile (2) than hold up to inner glass (3).
 4. Then group the door again, put the glass pane (3) to the plastic slots (4) and group the profile.

8 Troubleshooting

Oven emits steam when it is in use.

- It is normal that steam escapes during operation. >>> *This is not a fault.*

Product emits metal noises while heating and cooling.

- When the metal parts are heated, they may expand and cause noise. >>> *This is not a fault.*

There is no ignition spark.

- No current. >>> *Check fuses in the fuse box.*

There is no gas.

- Main gas valve is closed. >>> *Open gas valve.*
- Gas pipe is bent. >>> *Install gas pipe properly.*

Burners are not burning properly or at all.

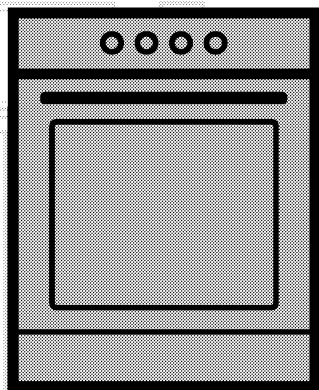
- Burners are dirty. >>> *Clean burner components.*
- Burners are wet. >>> *Dry the burner components.*
- Burner cap is not mounted safely. >>> *Mount the burner cap properly.*
- Gas valve is closed. >>> *Open gas valve.*
- Gas cylinder is empty (when using LPG). >>> *Replace gas cylinder.*



Consult the Authorised Service Agent or technician with licence or the dealer where you have purchased the product if you can not remedy the trouble although you have implemented the instructions in this section. Never attempt to repair a defective product yourself.

Cuisinière

Manuel de l'utilisateur



FR

beko

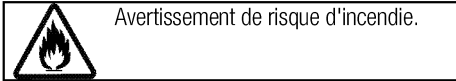
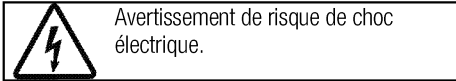
Avant de commencer, merci de bien vouloir lire ce manuel d'utilisation !

Chère cliente, cher client,

Nous vous remercions d'avoir porté votre choix sur un produit Beko. Nous espérons que vous tirerez le meilleur parti de votre produit, qui a été fabriqué dans des usines de pointe avec des matériaux de qualité. C'est pourquoi nous vous prions de lire attentivement le présent manuel et tous les autres documents connexes dans leur intégralité avant d'utiliser le produit et de le conserver. Si vous cédez l'appareil à une tierce personne, n'oubliez pas de lui fournir le Manuel d'utilisation. Respectez tous les avertissements et informations contenus dans le manuel d'utilisation. Souvenez-vous que ce Manuel d'utilisation s'applique également à plusieurs autres modèles. Les différences entre les modèles seront identifiées dans le manuel.

Explication des symboles

Vous trouverez les symboles suivants dans ce Manuel d'utilisation :



Arçelik A.Ş.
Karaağaç caddesi No:2-6
34445 Sütlüce/Istanbul/TURKEY
Made in TURKEY

1 Instructions importantes et mises en garde relatives à la sécurité et à l'environnement 4

Sécurité générale.....4
 Sécurité lors de l'installation du gaz5
 Sécurité du produit6
 Utilisation prévue8
 Sécurité des enfants9
 Mise au rebut de l'ancien appareil9
 Elimination des emballages9

2 Généralités 10

Vue d'ensemble.....10
 Contenu de l'emballage.....11
 Caractéristiques techniques.....12
 Tableau des injecteurs12

3 Installation 13

Avant l'installation.....13
 Installation et branchement.....14
 Conversion du gaz16
 Déplacement ultérieur19

4 Préparation 20

Conseils pour faire des économies d'énergie20
 Première utilisation20
 Premier nettoyage de l'appareil.....20
 Première cuisson20

5 Utilisation de la table de cuisson 21

Généralités concernant la cuisson 21
 Utilisation des tables de cuisson..... 21

6 Utilisation du four 23

Informations générales concernant la pâtisserie, la rôtisserie et les grillades..... 23
 Utilisation du four à gaz 23
 Tableau des temps de cuisson..... 24
 Utilisation du grill à gaz..... 25
 Tableau des temps de cuisson..... 25

7 Maintenance et entretien 27

Généralités 27
 Nettoyage du brûleur..... 27
 Nettoyage du bandeau de commande..... 27
 Nettoyage du four..... 28
 Retirer la porte du four. 28
 Retrait de la vitre de la porte 29

8 Recherche et résolution des pannes 30

1 Instructions importantes et mises en garde relatives à la sécurité et à l'environnement

Ce chapitre contient les instructions de sécurité qui vous aideront à éviter les risques de blessure corporelle ou de dégâts matériels. Le non respect de ces instructions entraînera l'annulation de toute garantie.

Sécurité générale

- Cet appareil peut être utilisé par des enfants de 8 ans et plus et des personnes aux capacités physiques, sensorielles ou mentales réduites ou des personnes dénuées d'expérience ou de connaissance si elles ont pu bénéficier d'une surveillance ou d'instructions concernant l'utilisation de l'appareil en toute sécurité et comprennent les risques encourus.

Les enfants ne doivent pas jouer avec l'appareil. Le nettoyage et l'entretien ne doivent pas être effectués par un enfant sans surveillance.

- Cet appareil n'est pas conçu pour être utilisé par des personnes (y compris les enfants) présentant des aptitudes physiques, sensorielles et mentales réduites, ou sans expérience et sans connaissances, à moins d'avoir été encadrées ou reçu des consignes d'utilisation.

Les enfants bénéficiant d'un encadrement ne doivent pas jouer avec l'appareil.

- Si l'appareil est confié à une autre personne pour usage personnel ou vendu en seconde main, assurez-vous qu'il est toujours accompagné du manuel d'utilisation, des étiquettes, de tout autre document pertinent et des pièces.
- Ne jamais poser l'appareil sur un sol recouvert de moquette. Dans le cas contraire, l'absence de circulation d'air en-dessous de l'appareil entraînera la surchauffe des pièces électriques. Cette surchauffe causera des dommages à votre appareil.
- Les procédures d'installation et de réparation doivent être effectuées par des agents d'entretien qualifiés. Le fabricant ne sera pas responsable des dommages causés à la suite d'une utilisation faite par des personnes non qualifiées, situation susceptible d'annuler aussi la garantie. Avant l'installation, lisez attentivement les instructions.
- Ne faites pas fonctionner l'appareil s'il est défectueux ou présente des dégâts visibles.
- Assurez-vous que les boutons de fonctionnement de l'appareil sont

en position d'arrêt après chaque utilisation.

Sécurité lors de l'installation du gaz

- Toutes les opérations sur des équipements et des systèmes de gaz ne peuvent être réalisées que par des personnes habilitées et qualifiées.
- Avant l'installation, assurez-vous que les conditions de distribution locale (type et pression du gaz) sont compatibles aux réglages de l'appareil.
- Cet appareil n'est pas raccordé à un dispositif d'évacuation des produits de la combustion. Il doit être installé et raccordé conformément aux règles d'installation en vigueur. Une attention particulière sera accordée aux dispositions applicables en matière de ventilation. *Avant l'installation, page 13.*
- **ATTENTION** : L'utilisation d'un appareil de cuisson au gaz conduit à la production de chaleur, d'humidité et de produits de combustion dans le local où il est installé. Veiller à assurer une bonne aération de la cuisine, notamment lors de l'utilisation de l'appareil : maintenir ouverts les orifices d'aération naturelle, ou installer un dispositif d'aération mécanique (hotte de ventilation mécanique). Une utilisation intensive et prolongée de l'appareil peut nécessiter une aération supplémentaire, par exemple en ouvrant une fenêtre, ou une aération plus efficace, par exemple en augmentant la puissance de la ventilation mécanique.
- Les appareils et les systèmes à gaz doivent être vérifiés régulièrement pour assurer leur fonctionnement correct. Le régulateur, le tuyau et son collier de serrage doivent être vérifiés régulièrement et remplacés à la fréquence recommandée par le fabricant ou lorsque nécessaire.
- Nettoyez régulièrement les brûleurs à gaz. Les flammes doivent être bleues et brûler de manière uniforme.
- Cet appareil doit être utilisé dans une pièce équipée d'un détecteur de monoxyde de carbone réglé et fonctionnant correctement. Assurez-vous que le détecteur de monoxyde de carbone fonctionne correctement et est entretenu fréquemment. Le détecteur de monoxyde de carbone doit être installé à 2 mètres au maximum de l'appareil.
- Une bonne combustion est nécessaire dans les appareils à gaz. En cas de combustion incomplète, du monoxyde de carbone (CO) pourrait être généré. Le mo-

noxyde de carbone est incolore, inodore et très toxique, pouvant être mortel même à très petites doses.

- Demandez les informations concernant les numéros de téléphone d'urgence et les mesures de sécurité à prendre en cas d'odeur de gaz auprès de votre fournisseur en gaz.

Que faire si vous sentez une odeur de gaz

- N'utilisez pas de flamme nue et ne fumez pas. N'appuyez sur aucun bouton électrique (p. ex., bouton de l'ampoule, sonnette d'entrée, etc.) N'utilisez pas de téléphone fixe ou de téléphone portable. Risque d'explosion et d'intoxication !
- Ouvrez les portes et fenêtres.
- Fermez toutes les valves sur les appareils à gaz et les compteurs de gaz.
- Vérifiez le branchement de tous les tuyaux et raccords. Si vous sentez toujours une odeur de gaz, quittez l'appartement.
- Avertissez les voisins.
- Contactez les pompiers. Utilisez un téléphone en-dehors de votre domicile.
- Ne rentrez pas dans votre domicile tant qu'on ne vous a pas indiqué que cela pouvait se faire en toute sécurité.

Sécurité du produit

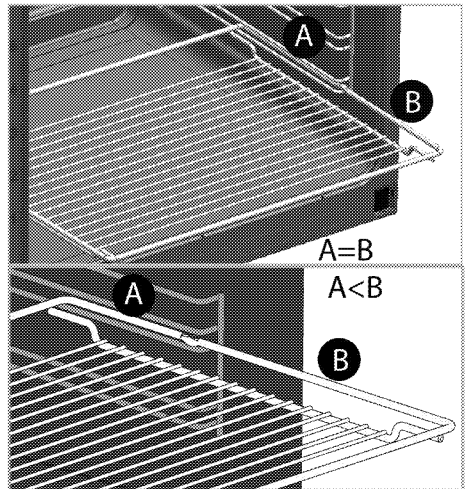
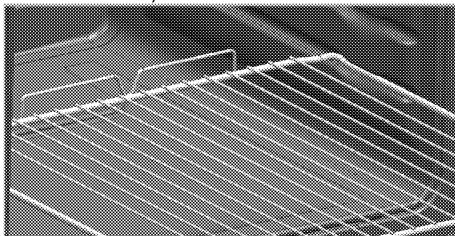
- **AVERTISSEMENT** : Les parties accessibles de l'appareil deviennent chaudes au cours de son utilisation. Des mesures doivent être prises pour éviter de toucher aux éléments de chauffage. Les enfants de moins de 8 ans doivent être maintenus à l'écart, sauf s'ils sont continuellement surveillés.
- Ne jamais utiliser l'appareil sous l'emprise de l'alcool ou de toute autre drogue.
- Prenez garde lorsque vous utilisez des boissons alcoolisées dans vos plats. L'alcool s'évapore à températures élevées et peut provoquer un incendie étant donné qu'il peut s'enflammer lorsqu'il entre en contact avec des surfaces chaudes.
- Assurez-vous qu'aucune substance inflammable ne soit placée à proximité de l'appareil étant donné que les côtés peuvent chauffer pendant son utilisation.
- L'appareil chauffe pendant son utilisation. Des mesures doivent être prises pour éviter de toucher aux éléments de chauffage qui se trouvent à l'intérieur du four.
- Évitez d'obstruer les éventuelles sorties d'aération.
- Ne pas faire chauffer de boîtes de conserves et de bocaux en verre

clos dans le four. La pression qui s'accumulerait dans la boîte/le bocal pourrait le faire éclater.

- Ne placez pas de plaques de cuisson, de plats ou de feuille d'aluminium directement sur le bas du four. L'accumulation de chaleur pourrait endommager le fond du four.
- N'utilisez pas de nettoyeurs fortement abrasifs ou de grattoir en métal affûté pour nettoyer la porte vitrée du four car ils peuvent rayer la surface, ce qui peut entraîner fêler la vitre.
- N'utilisez pas de nettoyeurs à vapeur pour le nettoyage de l'appareil, car ceux-ci présentent un risque d'électrocution.
- (Varient en fonction du modèle de four.)

Placer correctement la grille et le lèchefrite sur les gradins

Faites coulisser la grille ou le lèchefrite entre 2 glissières de coulissement et vérifiez-en l'équilibre avant de placer des aliments dessus (Observez l'illustration ci-dessous).



- Ne pas utiliser l'appareil si la porte en verre est absente ou fendue.
- La poignée du four n'est pas un sèche-serviettes. Ne pendez pas de serviettes, gants ou produits textiles similaires lorsque la porte est ouverte avec la fonction grill.
- Utilisez toujours des gants de protection thermique lorsque vous placez ou retirez des plats du four chaud.
- Placez le papier de cuisson contenant les aliments dans la casserole ou sur l'accessoire du four (plateau, grille métallique, etc.) et insérez l'ensemble dans le four préchauffé. Retirez le surplus de papier de cuisson qui déborde de l'accessoire ou de la casserole afin d'éviter tout contact avec les éléments chauffants du four. N'utilisez jamais le papier de cuisson à une température de

fonctionnement supérieure à la valeur recommandée pour un papier de cuisson. Évitez de placer le papier de cuisson directement sur la base du four.

- Ne refermez pas la plaque de recouvrement supérieure avant que les plaques chauffantes ou les brûleurs n'aient refroidi. Essuyez la plaque de recouvrement supérieure avant de l'ouvrir afin d'éviter tout écoulement d'eau vers l'arrière ou l'intérieur du four.
- Pour éviter toute surchauffe, l'appareil ne doit pas être installé derrière une porte décorative.
- L'appareil doit être placé à même le sol. Il ne doit être placé ni sur un socle ni sur un piédestal.
- **AVERTISSEMENT** : Le fait de cuire les aliments contenant de l'huile ou des matières grasses sur une table de cuisson sans surveillance peut s'avérer dangereux, au point de provoquer un incendie. N'essayez JAMAIS d'éteindre le feu avec de l'eau. Coupez plutôt l'alimentation de l'appareil, puis couvrez la flamme avec un couvercle ou une couverture pare-flammes.
- **ATTENTION** : Le processus de cuisson doit être encadré. Les processus de cuisson de courte

durée doivent être continuellement encadrés.

- **AVERTISSEMENT** : Danger d'incendie : ne rien conserver sur les surfaces de cuisson.

Pour que votre appareil soit fiable:

- veillez à ce que la fiche soit bien branchée dans la prise afin que des étincelles ne se produisent pas.
- Utilisez uniquement les câbles de rallonge d'origine, et veillez à ce qu'ils ne soient pas coupés ou autrement endommagés.
- Assurez-vous également que la prise ne contient pas de liquide ni de moisissure avant de brancher l'appareil.
- Veillez enfin à ce que votre connexion au gaz soit installée afin d'éviter toute fuite de gaz.

Utilisation prévue

- Cet appareil est conçu pour un usage domestique. L'utilisation commerciale est interdite.
- **ATTENTION** : Cet appareil sert uniquement à des fins de cuisson. Il ne doit pas être utilisé à d'autres fins, par exemple le chauffage du local.
- Évitez d'utiliser cet appareil pour réchauffer les assiettes sous le grill, accrocher des serviettes et des torchons, etc. sur les poignées, sécher et réchauffer quoi que ce soit.

- Le fabricant ne saurait être tenu responsable des dégâts causés par une utilisation ou une manipulation incorrecte.
- Le four peut être utilisé pour décongeler, cuire, rôtir et griller des aliments.
- Les pièces détachées d'origine sont disponibles pendant 10 ans, à compter de la date d'achat du produit .
- Un moyen de protection supplémentaire permettant d'éviter tout contact avec le four est disponible. Cette pièce doit être fixée en cas de présence probable d'enfants en bas âge.
- Ne rangez pas d'objets au dessus de l'appareil que les enfants pourraient atteindre.
- Lorsque la porte avant est ouverte, ne posez pas d'objets lourds dessus et ne permettez pas aux enfants de s'y asseoir. Il pourrait basculer ou les charnières de porte être endommagées.

Sécurité des enfants

- **ATTENTION** : Les parties accessibles peuvent s'échauffer pendant l'utilisation. Les enfants doivent être tenus à l'écart.
- Les matériaux d'emballage peuvent présenter un danger pour les enfants. Gardez les matériaux d'emballage hors de portée des enfants. Veuillez jeter les pièces de l'emballage en respectant les normes écologiques.
- Les appareils électriques et/ou à gaz sont dangereux pour les enfants. Tenez les enfants à l'écart de l'appareil lorsqu'il fonctionne et interdisez-leur de jouer avec.

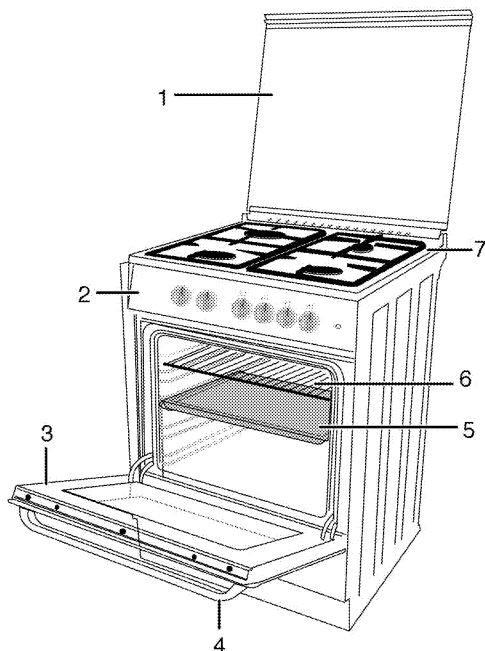
Mise au rebut de l'ancien appareil

Elimination des emballages

- Les emballages sont dangereux pour les enfants. Conservez les emballages en lieu sûr à l'écart des enfants. Les emballages de l'appareil sont fabriqués à partir de matériaux recyclés. Éliminez-les de manière appropriée et triez-les en fonction des instructions de recyclage des déchets. Ne les jetez pas avec les déchets domestiques normaux.

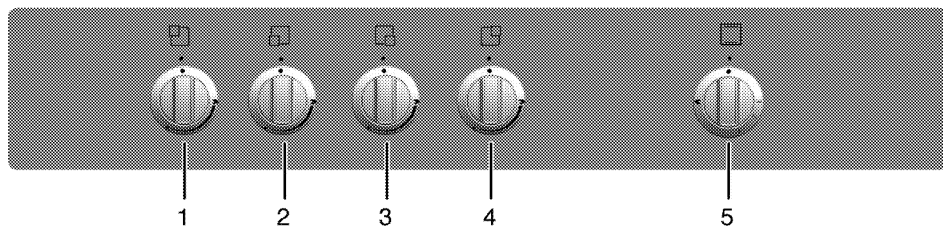
2 Généralités

Vue d'ensemble



- 1 Couvercle supérieur
- 2 Bandeau de commande
- 3 Porte frontale
- 4 Poignée

- 5 Lèche-frite
- 6 Grille
- 7 Plaque d'âtre



- 1 Brûleur normal Arrière gauche
- 2 Brûleur auxiliaire Avant gauche
- 3 Brûleur rapide Avant droit
- 4 Brûleur normal Arrière droit
- 5 Manette du four

Contenu de l'emballage

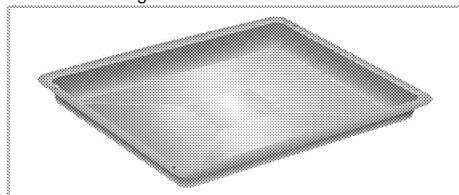


Les accessoires fournis peuvent varier selon le modèle de l'appareil. Tous les accessoires décrits dans le manuel d'utilisation peuvent ne pas faire partie de votre appareil.

1. **Manuel de l'utilisateur**

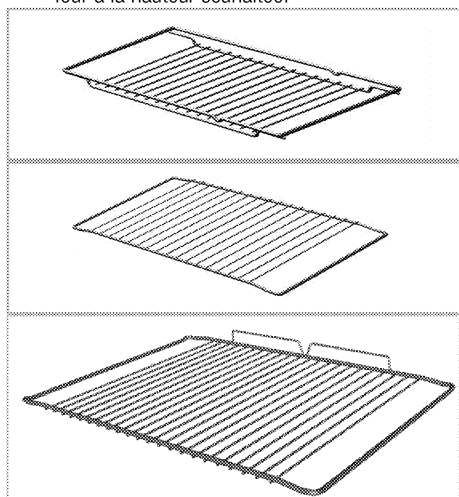
2. **Plaque standard**

Utilisée pour les pâtisseries, les aliments congelés et les grands rôtis.



3. **Grille métallique**

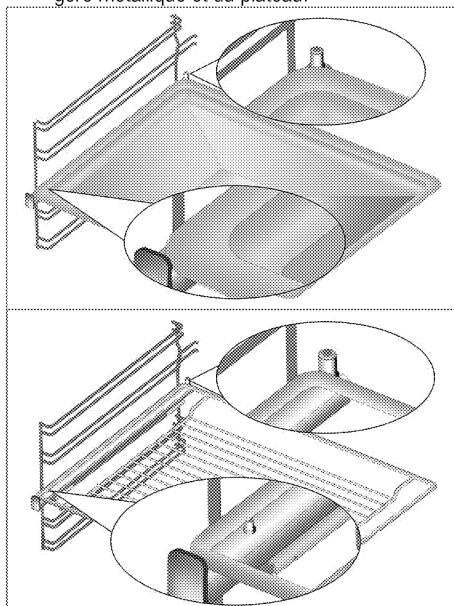
Utilisée pour les rôtis et pour les aliments à cuire, rôtir ou pour les ragoûts, elle se place dans le four à la hauteur souhaitée.



4. **Placer correctement l'étagère métallique et la plaque sur les châssis télescopiques (Cette fonction est optionnelle. Elle peut ne pas être disponible sur votre produit.)**

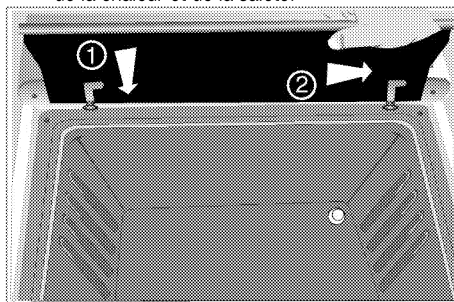
Les châssis télescopiques vous permettent d'installer et de retirer facilement les plaques et l'étagère métallique.

Lorsque vous utilisez la plaque et l'étagère métallique avec les châssis télescopiques, vérifiez que les goupilles situées à l'arrière du châssis télescopique reposent contre les bords de l'étagère métallique et du plateau.



5. **Plaque de protection du bouton**

Utilisée pour griller avec la porte du four ouverte. Protège le bandeau de commande et les boutons de la chaleur et de la saleté.



Caractéristiques techniques

GENERALITES	
Dimensions extérieures (hauteur/longueur/profondeur)	850 mm/500 mm/500 mm
Catégorie de produit à gaz	II 2H3+
Type /pression de gaz	NG G 20/20 mbar
Consommation totale de gaz	9,5 kW
Type / pression de conversion au gaz ^S	LPG G 30/28-30 mbar
– en option	Propane 31/37 mbar
Table de cuisson	
Brûleurs	
Arrière gauche	Brûleur normal
Puissance	2 kW
Avant gauche	Brûleur auxiliaire
Puissance	1kW
Avant droit	Brûleur rapide
Puissance	2,5 kW
Arrière droit	Brûleur normal
Puissance	2 kW
FOUR/GRILL	
Four principal	Four à gaz
Consommation énergétique du grill	2.0 kW
Consommation de gaz du four	2.0 kW



Les caractéristiques techniques peuvent changer sans avis préalable afin d'améliorer la qualité de l'appareil.



Les illustrations comprises dans ce manuel sont schématiques et peuvent ne pas correspondre exactement à l'appareil.




Les valeurs mentionnées sur les étiquettes de l'appareil ou dans la documentation qui l'accompagnent sont obtenues dans des conditions de laboratoire conformément aux normes correspondantes. En fonction des conditions de fonctionnement et de l'environnement de l'appareil, ces valeurs peuvent varier.

Tableau des injecteurs

Position de la zone de la table de cuisson	2 kW	1kW	2,5 kW	2 kW
	Arrière gauche	Avant gauche	Avant droit	Arrière droit
Type /pression de gaz				
G 20/20 mbar	103	72	125	103
G 30/28-30 mbar	72	50	80	72
G 31/ 37 mbar	72	50	80	72
Type /pression de gaz	Four à gaz		GRILL	
G 20/20 mbar	105		105	
G 30/28-30 mbar	71		71	
G 31/ 37 mbar	71		71	

3 Installation

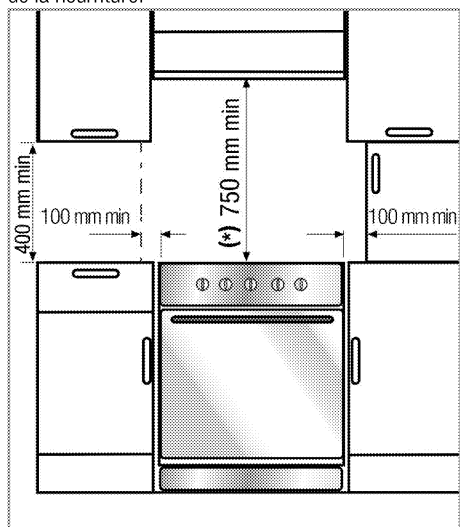
Le produit doit être installé par une personne qualifiée conformément à la réglementation en vigueur. Dans le cas contraire, la garantie n'est pas valable. Le fabricant se sera pas tenu pour responsable des dégâts consécutifs à des procédures réalisées par des personnes non autorisées et pourra annuler la garantie dans ce cas.

	La préparation de l'emplacement et l'installation du gaz et de l'électricité pour l'appareil sont sous la responsabilité du client.
	DANGER: Installez l'appareil conformément aux réglementations en matière de gaz et d'électricité en vigueur dans votre localité.
	DANGER: Avant l'installation, regardez si l'appareil présente des défauts. Si tel est le cas, ne le faites pas installer. Les appareils endommagés présentent des risques pour votre sécurité.

Avant l'installation

Pour veiller à ce qu'une distance libre soit conservée sous l'appareil, nous vous recommandons de monter l'appareil sur une base solide et de veiller à ce que ses pieds ne transpercent pas le tapis, la moquette, ou tout autre revêtement de sol.

Le sol de la cuisine doit pouvoir supporter le poids de l'appareil plus le poids des instruments de cuisine et de la nourriture.



- Vous pouvez l'utiliser avec des meubles de part et d'autre, mais en prévoyant une distance minimale de 400 mm au-dessus du niveau de la plaque chauffante ; prévoyez un écart de 65 mm entre l'appareil et le mur, la cloison ou le placard.
- Laissez une distance minimum de 750 mm au-dessus de la surface de la table de cuisson.
- S'il faut encastrer une hotte au-dessus de la cuisinière, reportez-vous aux consignes du fabricant de la hotte concernant la hauteur d'installation (Min 650 mm)..
- L'appareil correspond à un appareil de classe 1. En d'autres termes, il peut être placé avec le côté arrière et **un** côté contre les murs de la cuisine, des meubles ou des équipements de toute taille. Les meubles ou les équipements de cuisine situés sur l'**autre** côté doivent être de taille inférieure ou égale.
- Tout meuble de cuisine situé à côté de l'appareil doit résister à la chaleur (100 °C min.).

Ventilation de la pièce

Toutes les pièces nécessitent une fenêtre ouvrable, ou équivalent ; certaines pièces nécessiteront également un orifice d'aération permanent. L'air de combustion est prélevé dans l'air de la pièce. Les gaz émis sont directement rejetés dans la pièce. Une bonne ventilation est essentielle au fonctionnement en toute sécurité de votre appareil.

Pièces avec des portes et/ou fenêtres qui s'ouvrent directement à l'extérieur

Les portes et/ou fenêtres qui s'ouvrent directement à l'extérieur doivent présenter une ouverture de ventilation totale aux dimensions spécifiées dans le tableau ci-dessous en fonction de la puissance aéraulique totale de l'appareil (la puissance aéraulique totale de l'appareil est mentionnée dans le tableau des spécifications techniques de ce manuel d'utilisation). Si les portes et/ou les fenêtres ne présentent pas d'ouverture de ventilation totale correspondant à la consommation totale de gaz tel que spécifié dans le tableau ci-dessous, il devrait certainement avoir une autre ouverture de ventilation fixe dans la pièce pour satisfaire aux exigences minimales de ventilation totale en matière de consommation totale de gaz de l'appareil. L'ouverture de ventilation fixe peut comprendre des ouvertures pour les briques creuses existantes, la dimension d'ouverture du conduit de la hotte d'extraction, etc.

Consommation totale de gaz (kW)	Ouverture de ventilation minimale (cm ²)
0 - 2	100
2 - 3	120
3 - 4	175
4 - 6	300
6 - 8	400
8 - 10	500
10 - 11,5	600
11,5 - 13	700
13 - 15,5	800
15,5 - 17	900
17 - 19	1 000
19 - 24	1 250

Pièces qui ne disposent pas de portes et/ou de fenêtres qui s'ouvrent directement à l'extérieur

Si la pièce dans laquelle l'appareil est installé ne dispose pas de porte ou de fenêtre qui s'ouvre directement à l'extérieur, vous devez absolument rechercher d'autres produits qui fournissent une ouverture de ventilation fixe et non ajustable, conforme aux exigences minimales de ventilation pour la consommation totale de gaz par l'appareil, tel qu'indiqué dans le tableau ci-dessus. En outre, vous devez scrupuleusement suivre la réglementation pertinente régissant les bâtiments.

Lorsque la pièce ou l'espace intérieur contient plus d'un appareil alimenté au gaz, vous devez prévoir une zone de ventilation supplémentaire, outre la recommandation du tableau ci-dessus. La dimension d'une zone de ventilation supplémentaire doit être conforme à la réglementation sur les autres appareils à gaz. Assurez-vous également de prévoir un dégagement minimal de 10 mm sur le bord inférieur de la porte, qui s'ouvre à l'intérieur, dans la pièce dans laquelle le produit est installé. Vous devez vous assurer que les éléments tels que les tapis et autre revêtements de plancher, etc., n'obstruent pas le dégagement lorsque vous fermez la porte.

Vous pouvez installer votre cuisinière dans une cuisine, une salle à manger ou une chambre-salon, mais pas dans une pièce contenant une colonne de douche ou une baignoire. La cuisinière ne doit pas être installée dans une chambre-salon de moins de 20 m³.

Évitez d'installer cet appareil dans une pièce en dessous du niveau du sol à moins que cette pièce soit ouverte au niveau du sol sur l'un des côtés au moins.

Installation et branchement

L'appareil doit être installé et raccordé conformément aux réglementations d'installation en vigueur.



N'installez pas l'appareil à proximité de réfrigérateurs ou congélateurs. La chaleur émise par l'appareil augmenterait la consommation d'énergie des dispositifs de refroidissement.

- Transportez l'appareil avec au moins deux personnes.
- L'unité doit être placée directement au sol. Elle ne doit pas être placée sur une base ou un socle.



N'utilisez pas la porte et/ou la poignée pour porter ou déplacer l'appareil. Cela endommage la porte, la poignée et les charnières.

Raccordement au gaz



DANGER:

L'appareil doit être connecté au système d'alimentation en gaz uniquement par un technicien autorisé et qualifié. Risque d'explosion et d'intoxication causé par des réparations effectuées par des personnes non professionnelles ! Le fabricant se sera pas tenu pour responsable des dégâts consécutifs à des procédures réalisées par des personnes non autorisées.



DANGER:

Avant d'effectuer tout travail sur l'installation de gaz, l'appareil doit être débranché du réseau de distribution du gaz. Vous risqueriez une explosion !

- Les conditions et valeurs de réglages du gaz sont indiquées sur les plaques signalétiques (ou plaques type ion)



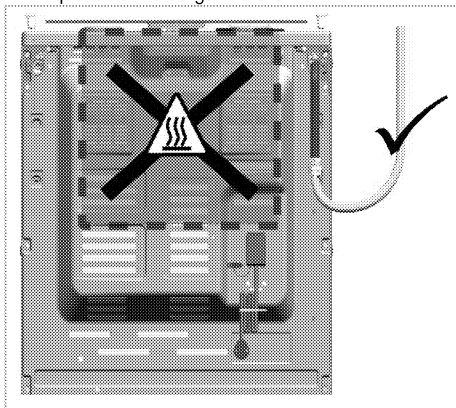
Votre produit est doté d'une alimentation en gaz naturel (NG).

- L'installation de gaz naturel doit être préparée de façon appropriée pour l'assemblage avant l'installation de l'appareil.
- Le raccordement au gaz de votre appareil doit être réalisé par le service agréé.
- Un flexible doit être prévu à la sortie de l'installation de raccordement du gaz naturel et l'embout de ce tuyau doit être fermé à l'aide d'une prise pour le raccord. Retirez la prise pour le raccord pendant le raccordement et votre appareil sera connecté au moyen d'un dispositif de raccordement plat (manchon).
- Assurez-vous que la valve de gaz naturel soit facilement accessible.

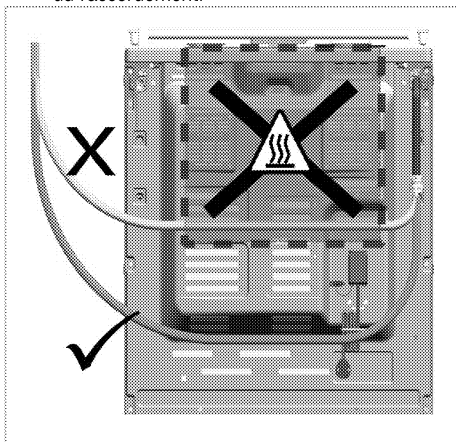
- Si vous devez utiliser ultérieurement votre appareil avec un type de gaz différent, vous devez consulter le service agréé pour la procédure de conversion correspondante.

Si votre appareil dispose d'une seule sortie de gaz ;

- Avant de raccorder le tuyau de gaz, assurez-vous que la sortie du tuyau de gaz à l'arrière de l'appareil se trouve du même côté de l'appareil que la vanne de gaz naturel.

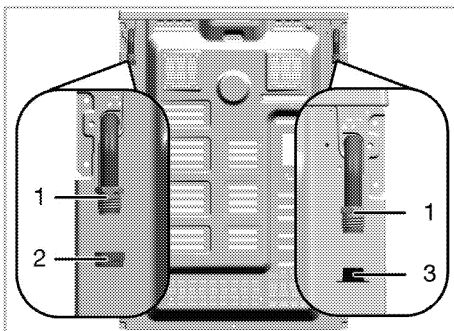


- Si la sortie du tuyau de gaz et la vanne de gaz naturel ne sont pas du même côté, assurez-vous que le tuyau ne traverse pas la zone chaude lors du raccordement.



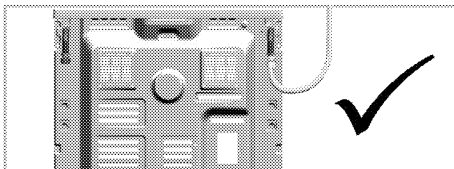
Si votre appareil dispose de deux sorties de gaz ;

- L'une des deux sorties est fermée à l'aide d'une prise pour le raccord et l'autre à l'aide d'un bouchon en plastique. Les emplacements de la prise pour le raccord et du bouchon en plastique peuvent être différents selon l'appareil.

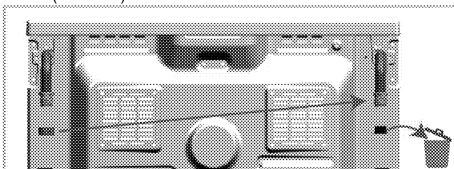


- 1 Sortie du tuyau à gaz
- 2 Prise pour le raccord
- 3 Bouchon en plastique

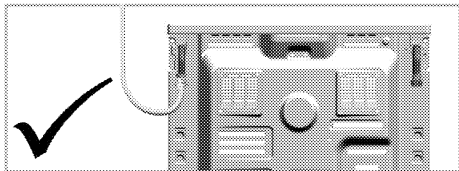
- Avant de raccorder le gaz, assurez-vous que le robinet de gaz naturel et la sortie du tuyau de gaz du produit à raccorder au gaz se trouvent du même côté.
- Si le robinet de gaz naturel et la sortie du tuyau à gaz fermée hermétiquement avec un bouchon en plastique sont situés du même côté, effectuez le raccordement au gaz comme indiqué sur la figure ci-dessous.



- Si le robinet de gaz naturel et le tuyau de gaz fermé hermétiquement avec un bouchon en plastique sont situés du même côté, retirez le bouchon en plastique et mettez-le au rebut. Retirez la prise pour le raccord et fermez la sortie du tuyau de gaz où le raccordement au gaz ne sera pas effectué avec un nouveau joint d'étanchéité (inutilisé).




- Effectuez le raccordement au gaz sur la sortie du tuyau de gaz près de la vanne de gaz naturel, comme indiqué sur la figure ci-dessous.




Risque d'incendie :

Si vous n'effectuez pas le raccordement conformément aux instructions ci-dessous, il y aura un risque de fuite de gaz et d'incendie. **Notre société décline toute responsabilité pour les dommages qui en résultent.**

- Le raccordement au gaz ne doit être effectué que par le fournisseur autorisé.
- Le raccordement au gaz de l'appareil doit impérativement se faire par la sortie du tuyau de gaz près du robinet de gaz naturel.
- Le bouchon en plastique doit être mis au rebut et la sortie du tuyau de gaz qui ne sera pas utilisée doit être fermée à l'aide de la prise pour le raccord.
- Lorsque vous scellez la sortie du tuyau de gaz qui ne sera pas utilisée à la prise pour le raccord, vous devez absolument utiliser un joint d'étanchéité neuf et inutilisé.

 **DANGER:**
Le tuyau à gaz flexible doit être raccordé de manière à ce qu'il n'entre pas en contact avec les pièces mobiles qui l'entourent et à ne pas le coincer lorsque ces pièces mobiles se déplacent.
(exemple : tiroirs). De plus, vous ne devez pas le placer dans des espaces où il risque d'être écrasé.


 **DANGER:**
Le tuyau de gaz ne doit pas être serré, plié ou pincé ou entrer en contact avec des pièces chaudes de l'appareil.
Un tuyau de gaz endommagé vous expose à un risque d'explosion.

Contrôle des fuites au point de raccordement

- Vérifiez que toutes les manettes de l'appareil sont sur la position fermée. Vérifiez que l'alimentation en gaz est ouverte. Préparez une mousse savonneuse et appliquez-la sur les points de raccord du tuyau pour contrôler les fuites de gaz.
- Des bulles apparaîtront s'il y a une fuite de gaz. Si c'est le cas, inspectez le raccord de gaz de nouveau.
- **Si votre appareil dispose de deux sorties de tuyau de gaz**, assurez-vous que la sortie de gaz

inutilisée est scellée à l'aide d'une prise pour le raccord. Préparez de la mousse savonneuse et appliquez-la sur le point de raccordement de la prise pour le raccord pour vérifier l'absence de fuites de gaz. Des bulles apparaîtront s'il y a une fuite de gaz. Dans ce cas, vérifiez à nouveau le raccordement de la prise pour le raccord.


- Au lieu du savon, vous pouvez utiliser des aérosols disponibles sur le marché pour vérifier les fuites de gaz.

 N'utilisez jamais d'allumette ou de briquet pour effectuer le contrôle des fuites.


- Poussez le produit vers le mur de la cuisine.
- **Réglages des pieds de la cuisinière**
Les vibrations pendant l'usage peuvent faire bouger les plats de cuisson. Cette situation dangereuse peut être évitée si le produit est équilibré et stable.
Pour votre sécurité; veuillez vérifier que le produit est stable en réglant les quatre pieds en bas en les tournant vers la gauche et la droite et en les alignant avec le haut.

Vérification finale

1. Ouvrez le robinet de gaz.
2. Vérifiez les raccords de l'installation de gaz.
3. Allumez les brûleurs et vérifiez l'aspect de la flamme.

 La flamme doit être bleue et avoir une forme régulière. Si elle est jaunâtre, assurez-vous que le bouchon du brûleur est correctement installé et nettoyez le brûleur.

Conversion du gaz

 **DANGER:**
Avant d'effectuer tout travail sur l'installation de gaz, l'appareil doit être débranché du réseau de distribution du gaz.
Vous risqueriez une explosion !

Pour changer le type de gaz de votre appareil, changez tous les injecteurs et réglez les flammes de toutes les valves à la position de débit réduit.

Changement de l'injecteur des brûleurs.

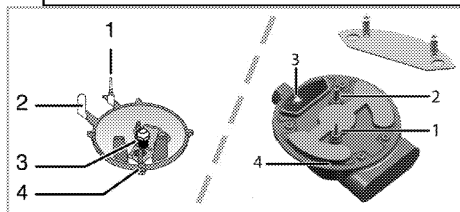
1. Retirez le couvercle de brûleur et le corps du brûleur.
2. Dévissez les injecteurs en tournant dans le sens contraire des aiguilles du montre.
3. Fixez les nouveaux injecteurs.
4. Vérifiez le branchement de tous les raccords.



La position des nouveaux injecteurs est marquée sur leurs emballage ou le tableau de l'injecteur. *Tableau des injecteurs, page 12* peut être consulté.



(Varient en fonction du modèle de four.)
Sur certains brûleurs de la plaque de cuisson, l'injecteur est recouvert d'une pièce métallique. Retirez ce couvercle métallique lors du remplacement de l'injecteur.



- 1 Dispositif de sécurité à l'allumage (modèle dépendant)
- 2 Electrode
- 3 Injecteur
- 4 Brûleur



Sauf en cas de condition anormale, ne tentez pas de retirer les robinets des brûleurs de gaz. Vous devez contacter le service agréé s'il est nécessaire de changer les robinets.

Réglage de débit de gaz réduit pour les robinets de la plaque de cuisson

1. Allumez le brûleur à régler et positionnez la manette sur la position inférieure.
2. Enlevez le bouton du robinet de gaz.
3. Utilisez un tournevis conventionnel pour ajuster la vis de réglage du débit.

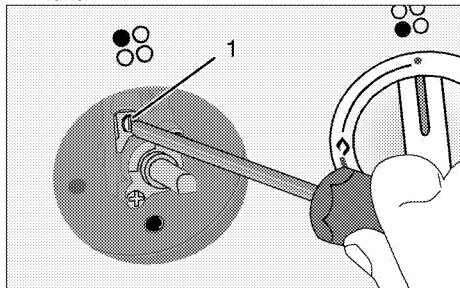
Pour le LPG (Butane - Propane), tournez le tournevis dans le sens contraire des aiguilles d'une montre.

Pour l'alimentation en gaz naturel, tournez une fois la vis **dans le sens inverse des aiguilles d'une montre**.

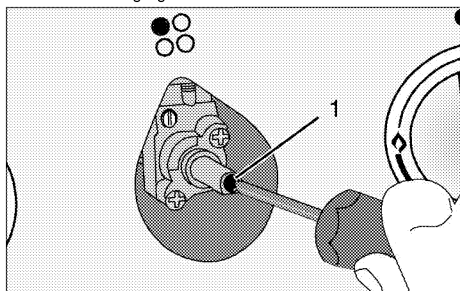
» La hauteur normale d'une flamme régulière en débit réduit doit être de 6-7 mm.

4. Si la flamme est plus grande que la longueur souhaitée, tournez la vis dans le sens des aiguilles d'une montre. Si elle est plus petite, tournez dans le sens contraire des aiguilles d'une montre.
5. Pour le dernier contrôle, placez le brûleur sur les positions flamme haute et flamme réduite et vérifiez si la flamme est allumée ou éteinte.

6. En fonction du type de robinet de gaz utilisé sur votre appareil, la position de la vis de réglage peut varier.



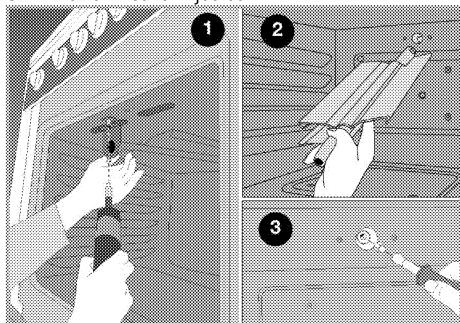
1 Vis de réglage du débit



1 Vis de réglage du débit

Changez l'injecteur du grill.

1. Ouvrez la porte.
2. Desserrer la vis de fixation du brûleur.
3. Retirez le brûleur.
4. Dévissez l'injecteur en tournant dans le sens contraire des aiguilles d'une montre.
5. Unscrew injector by turning counter-clockwise direction.
6. Fixez un nouvel injecteur.



Réglage de débit réduit pour le four du gaz

Pour le bon fonctionnement du four, il est extrêmement important de vérifier l'ajustement de dérivation à

nouveau. Afin d'assurer la sécurité optimale de l'utilisateur, ces opérations doivent être effectuées avec soin.

1. Allumez le brûleur à régler et positionnez la manette sur la position de flamme supérieure.
2. Fermez la porte du four et attendez 10 à 15 minutes jusqu'à ce que le four soit prêt au réglage.
3. Retirez la manette.
4. Après 15 minutes, réglez le four sur la position de flamme minimum.
5. Réglez la hauteur de la flamme sur 2 à 3 mm à l'aide de la vis 1 sur le thermostat du four. Tourner la vis dans le sens des aiguilles d'une montre réduit la flamme, dans le sens inverse des aiguilles d'une montre augmente la flamme.



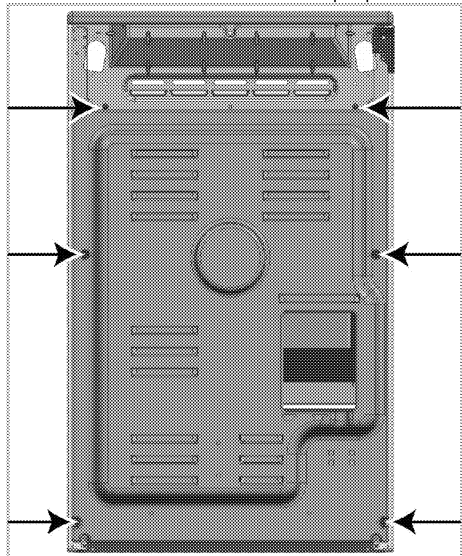
Si le taux de four à flux de gaz ne peut être réglé avec la suppression bouton, s'il vous plaît enlever les parties du four nécessaires (du panneau de commande, plaque de brûleur, etc.), puis fixer le taux du four à flux de gaz.



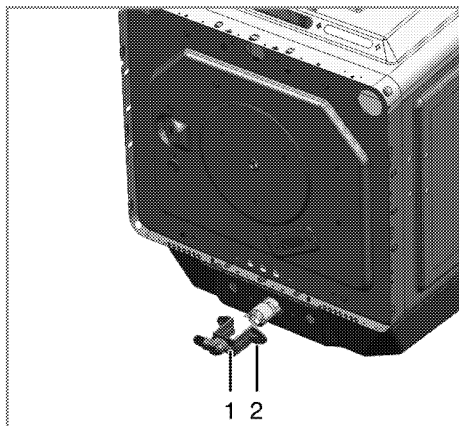
Si la température du four augmente de façon non voulue, éteignez le four et contactez votre service d'entretien pour la réparation du thermostat.

Changez l'injecteur du four.

1. Desserrez les vis de fixation de la plaque de base.

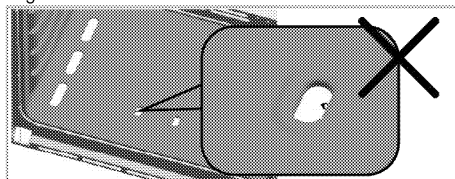


2. Dévissez les 2 vis (2) du support de l'injecteur (1).



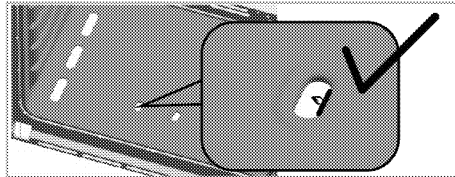
- 1 Support d'injecteur
- 2 Vis
3. Retirez le support de l'injecteur.
4. Dévissez l'injecteur en tournant dans le sens contraire des aiguilles d'une montre.
5. Fixez un nouvel injecteur.

Réglez la flamme à une hauteur optimale comme indiqué sur la figure ci-dessous, à l'aide de la vis 1 sur le robinet du four. Tournez dans le sens horaire pour réduire la flamme et dans le sens antihoraire pour augmenter la flamme.

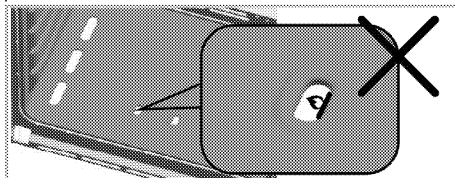


Si la flamme est trop petite,

* la température du four peut être trop basse, affectant négativement les performances de cuisson.



Une longueur de flamme idéale fournit les meilleures performances.



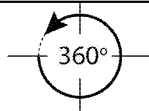
Si la flamme est trop grande,
* la température du four peut être trop élevée, affectant négativement les performances de cuisson.

i Après avoir réglé la flamme de gaz, ouvrez et fermez la porte à plusieurs reprises et assurez-vous que la flamme du four ne s'éteint pas.

i Si le type de gaz de l'appareil est modifié, alors la plaque signalétique indiquant le type de gaz utilisé par l'appareil doit également être modifiée.

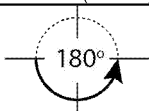
Gaz naturel à butane/propane (GPL)	Butane/propane (GPL) à gaz naturel (G2 350 13mbar gaz local polonais)
---	--

Serrez complètement la vis en la tournant dans le sens horaire.	Desserrez la vis de 360° (environ)
---	------------------------------------



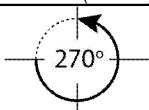
Gaz naturel à butane/propane (GPL)	Butane/propane (GPL) à gaz naturel (G20 20mbar/ G25 25 mbar / G25.3 25mbar)
---	--

Serrez complètement la vis en la tournant dans le sens horaire.	Desserrez la vis de 180° (environ)
---	------------------------------------



Gaz naturel à butane/propane (GPL)	Butane/propane (GPL) à gaz naturel (G20 10mbar/ G20 13 mbar)
---	---

Serrez complètement la vis en la tournant dans le sens horaire.	Desserrez la vis de 270° (environ)
---	------------------------------------



i Le réglage minimum de flux peut varier en fonction de l'appareil, du brûleur ou du type de gaz. Assurez-vous que la hauteur de la flamme correspond à la figure ci-dessus.

Déplacement ultérieur

- Conservez le carton d'origine de l'appareil et utilisez-le pour déplacer le produit. Suivez les instructions figurant sur le carton. Si vous n'avez plus le carton original, emballez l'appareil dans du film à bulles ou du carton épais avec du ruban adhésif pour maintenir le tout.
- Afin d'éviter que la grille et la lèchefrite situés à l'intérieur du four n'endommagent la porte, placez une bande de carton sur la contre-porte à hauteur des plaques. Attachez la porte du four aux parois latérales à l'aide de ruban adhésif.
- Attachez les couvercles et grilles de support avec du ruban adhésif.
- N'utilisez pas la porte ou la poignée pour soulever ou déplacer l'appareil.

i Ne placez aucun objet sur l'appareil et déplacez-le bien à plat.

i Inspectez l'aspect général de l'appareil pour déceler les dégâts potentiellement dus au transport.

4 Préparation

Conseils pour faire des économies d'énergie

Les conseils suivants vous permettront d'utiliser votre appareil de façon écologique et d'économiser ainsi de l'énergie :

- Utilisez des ustensiles de cuisine recouverts d'émail car la transmission de chaleur sera améliorée.
- Lorsque vous cuisinez, lancez un préchauffage si cela est conseillé dans le manuel d'utilisation ou la description de la recette.
- N'ouvrez pas la porte du four trop souvent pendant la cuisson.
- Essayez de faire cuire plusieurs plats simultanément dans le four lorsque vous le pouvez. Vous pouvez placer deux plats de cuisson sur le châssis métallique.
- Faites cuire plusieurs plats successivement. Le four sera déjà à température.
- Décongelez les plats surgelés avant de les cuire.
- Utilisez des récipients munis de couvercles. Sans couvercle, la consommation d'énergie peut être 4 fois plus importante.
- Sélectionnez le brûleur le mieux adapté à la taille du bas de la casserole utilisée. Sélectionnez toujours la casserole à la taille la plus appropriée pour vos plats. Les grandes casseroles nécessitent davantage d'énergie.

Première utilisation

Premier nettoyage de l'appareil



La surface pourrait être endommagée par certains détergents ou produits de nettoyage. N'utilisez pas de détergents agressifs, de poudre/crèmes de nettoyage ou d'objets tranchants pour le nettoyage.

1. Retirez tous les matériaux d'emballage.
2. Essuyez les surfaces de l'appareil à l'aide d'un chiffon humide ou d'une éponge et terminez avec un chiffon sec.

Première cuisson

Faites chauffer l'appareil pendant 30 minutes puis éteignez-le. De cette manière, tous les résidus de production ou les couches de conservation seront brûlés et supprimés.



AVERTISSEMENT

Les surfaces chaudes peuvent provoquer des brûlures !

L'appareil peut être très chaud pendant son utilisation. Ne touchez jamais les brûleurs, sections internes du four, résistances, etc. lorsqu'ils sont chauds. Tenez les enfants à l'écart.

Utilisez toujours des gants de protection thermique lorsque vous placez ou retirez des plats du four chaud.

Four à gaz

1. Sortez toutes les plaques de cuisson et la grille métallique du four.
2. Fermez la porte du four.
3. Sélectionnez la flamme la plus forte pour le four à gaz ; voir *Utilisation du four à gaz, page 23*.
4. Faites fonctionner le four environ 30 minutes.
5. Eteignez votre four ; voir *Utilisation du four à gaz, page 23*

Four à grill

1. Sortez toutes les plaques de cuisson et la grille métallique du four.
2. Fermez la porte du four.
3. Sélectionnez la flamme la plus forte pour le four à grill ; voir *Utilisation du grill à gaz, page 25*.
4. Faites fonctionner le four environ 30 minutes.



Une odeur et de la fumée peuvent se dégager pendant quelques heures au cours de la première utilisation. Ce phénomène est tout à fait normal. Assurez-vous que la pièce est bien aérée pour évacuer l'odeur et la fumée. Évitez de respirer la fumée et l'odeur qui se dégagent.

5 Utilisation de la table de cuisson

Généralités concernant la cuisson



Ne remplissez jamais la poêle à plus d'un tiers. Ne laissez pas la table de cuisson sans surveillance lorsque vous chauffez de l'huile. Une huile surchauffée expose au risque d'incendie. **Ne tentez jamais d'éteindre un éventuel incendie avec de l'eau !** Lorsque l'huile s'enflamme, couvrez-la avec une couverture pare-flammes ou un chiffon humide. Éteignez la table de cuisson si cela ne pose aucun risque et appelez les sapeurs-pompiers.

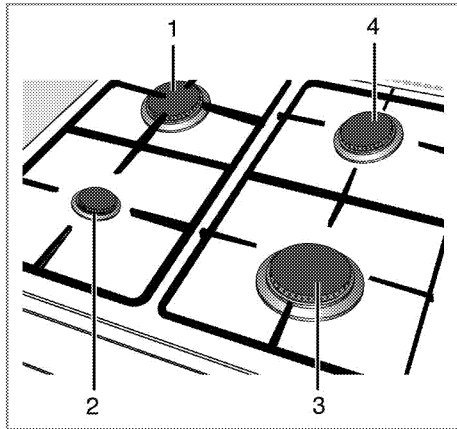
- Avant de faire frire des aliments, séchez-les toujours avant de les tremper dans l'huile chaude. Assurez-vous que les aliments surgelés soient bien décongelés avant de les faire frire.
 - Ne couvrez pas le récipient lorsque vous faites chauffer de l'huile.
 - Disposez les poêles et casseroles de manière à ce que leur poignée ne se trouve pas au-dessus de la table de cuisson afin d'éviter de faire chauffer les poignées. Ne placez pas de récipients instables et pouvant se renverser facilement sur la table de cuisson.
 - Ne placez pas de récipients et de casseroles vides sur les foyers qui sont allumés. Ils pourraient être endommagés.
 - Faire chauffer un foyer en l'absence d'un récipient ou d'une casserole peut entraîner des dommages pour l'appareil. Arrêtez les foyers de cuisson une fois la cuisson terminée.
 - La surface de l'appareil peut être brûlante, évitez donc de poser des récipients en plastique ou en aluminium dessus. Évitez également d'utiliser ce type de récipients pour y conserver de la nourriture.
 - N'utilisez que des casseroles à fond plat.
 - Placez la quantité de nourriture appropriée dans les casseroles utilisées. Ainsi, vous n'aurez pas à effectuer un nettoyage superflu en évitant que vos plats ne débordent.
- Ne posez pas les couvercles de vos poêles et casseroles sur les foyers de cuisson. Placez les casseroles de manière à ce qu'elles soient centrées sur le foyer de cuisson. Lorsque vous voulez déplacer la casserole sur un autre

foyer de cuisson, soulevez-la et placez-la sur le foyer de cuisson souhaité au lieu de la faire glisser.

Cuisson au gaz

- La taille du récipient et celle de la flamme doivent correspondre. Réglez les flammes du gaz afin qu'elles ne dépassent pas du fond du récipient et centrez ce dernier sur la grille.

Utilisation des tables de cuisson



- 1 Brûleur normal 18-20 cm
- 2 Brûleur auxiliaire 12-16 cm
- 3 Brûleur rapide 20-22 cm
- 4 Brûleur normal 18-20 cm (Les dimensions indiquées représentent les diamètres recommandés de poêles et casseroles à utiliser.)



AVERTISSEMENT

Évitez d'utiliser les ustensiles de cuisine au-delà des dimensions maximales indiquées ci-dessus. L'utilisation des grandes casseroles présente un danger d'intoxication au monoxyde de carbone, de surchauffe des surfaces adjacentes et des boutons de commande. L'utilisation des petites casseroles représente un risque de brûlure par la flamme.

Le symbole représentant une grande flamme indique la puissance de cuisson la plus élevée et le symbole représentant une petite flamme indique la puissance de cuisson la moins élevée. En position OFF (indicateur vers le haut), les brûleurs ne sont pas alimentés en gaz.

Allumage des brûleurs à gaz

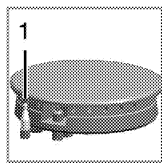
Les brûleurs ne sont pas équipés d'un allumage automatique. Utilisez un briquet ou des allumettes.

1. Maintenez le bouton du brûleur approprié enfoncé.
2. Tournez-le dans le sens anti-horaire vers le symbole représentant la grande flamme.
3. Allumez la table de cuisson à l'aide d'un briquet.
4. Réglez la puissance de cuisson souhaitée.

Arrêt des brûleurs à gaz.

Tournez le bouton de la zone garde-au-chaud sur la position OFF (indicateur vers le haut).

Système de coupure de sécurité du gaz (sur les modèles dotés d'un composant thermique)



1. Sécurité de coupure du gaz

Un mécanisme de sécurité fait office de contre-mesure et se déclenche pour couper l'arrivée de gaz en cas de débordement de liquide sur les brûleurs.

- Appuyez sur le bouton et tournez-le dans le sens anti-horaire pour allumer le gaz.
- Maintenez ensuite le bouton enfoncé pendant 3 à 5 secondes supplémentaires pour activer le système de sécurité.
- Si le gaz ne s'allume pas après avoir appuyé et relâché le bouton, répétez l'opération en maintenant le bouton enfoncé pendant une quinzaine de secondes.



DANGER:

Relâchez le bouton si le brûleur à gaz ne s'allume pas après 15 secondes.

Patiencez au moins 1 minute avant de réessayer. Vous risqueriez une accumulation de gaz et une explosion !

6 Utilisation du four

Informations générales concernant la pâtisserie, la rôtisserie et les grillades



AVERTISSEMENT

Les surfaces chaudes peuvent provoquer des brûlures !

L'appareil peut être très chaud pendant son utilisation. Ne touchez jamais les brûleurs, sections internes du four, résistances, etc. lorsqu'ils sont chauds. Tenez les enfants à l'écart.

Utilisez toujours des gants de protection thermique lorsque vous placez ou retirez des plats du four chaud.



DANGER:

Faites attention lors de l'ouverture du four car de la vapeur peut s'en échapper.

La vapeur peut provoquer des brûlures sur vos mains, votre visage et/ou vos yeux.

Conseils pour la pâtisserie

- Utilisez des plats en métal anti-adhérent adaptés ou des ustensiles en aluminium ou des moules en silicone résistant à la chaleur.
- Utilisez l'espace de la plaque au mieux.
- Placez le moule de cuisson au milieu.
- Sélectionnez l'emplacement adapté avant d'allumer le four ou le grill. Ne changez pas d'emplacement lorsque le four est chaud.
- Gardez la porte du four fermée.

Conseils pour rôti

- Assaisonner les poulets entiers, dindes et gros morceaux de viande avec du jus de citron et du poivre noir avant la cuisson augmentera la performance de cuisson.
- La viande rôtie met 15 à 30 minutes de plus à cuire avec des os par rapport à un rôti équivalent sans os.
- Chaque centimètre d'épaisseur de viande requiert environ 4 à 5 minutes de temps de cuisson.
- Laissez la viande reposer dans le four pendant environ 10 minutes après le temps de cuisson. Le jus se répartira sur l'ensemble de la viande et ne coulera pas à sa découpe.
- Le poisson doit être placé au milieu du four ou plus bas dans un plat résistant au feu.

Conseils pour les grillades

Lorsque la viande, poissons et volailles sont grillés, ils brunissent rapidement, deviennent croustillants et ne sèchent pas. Les morceaux minces, les brochettes de

viandes et les saucisses mais également les légumes à forte teneur en liquide (par exemple les tomates et les oignons) sont particulièrement adaptés à cette cuisson.

- Répartissez les morceaux à griller sur la grille métallique ou la plaque de cuisson avec la grille métallique de manière à ce que l'espace couvert ne dépasse pas la taille de la résistance.
- Glissez la grille ou la plaque de cuisson avec la grille dans le four au niveau souhaité. Si vous faites des grillades sur la grille, glissez la plaque de cuisson sur le châssis pour recueillir les graisses. Ajoutez un peu d'eau dans la plaque de cuisson pour faciliter le nettoyage.



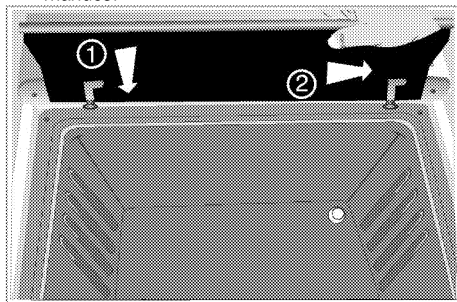
Les aliments non adaptés pour le grill exposent à des risques d'incendie.

N'utilisez que des aliments à griller adaptés à une chaleur de grill intense. Ne placez pas la nourriture trop au fond du grill. Il s'agit de la zone la plus chaude et les aliments gras pourraient prendre feu.

Installation de l'écran thermique

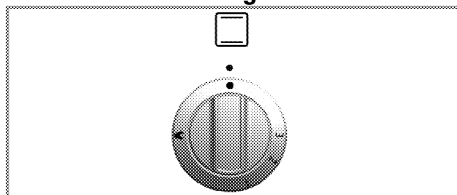
L'écran thermique est utilisé pour griller avec la porte du four ouverte. Protège le bandeau de commande et les boutons de la chaleur et de la saleté.

1. Ouvrez la porte du four et insérez l'écran thermique dans les fentes sous le bandeau de commandes.



» Quand l'écran thermique est installé, la porte du four reste ouverte.

Utilisation du four à gaz

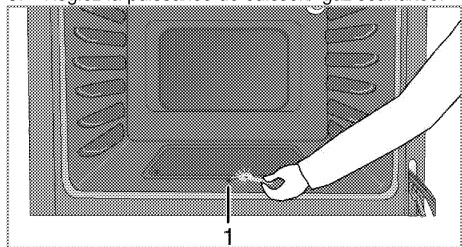


Le four à gaz est actionné par la manette de commande du four à gaz. Dans la position arrêt (haut) l'alimentation en gaz est coupée.

Allumage du four à gaz

Le four à gaz s'allume avec un briquet.

1. Ouvrez la porte du four.
 2. Maintenez la manette de commande du four à gaz enfoncée et tournez-la dans le **sens inverse des aiguilles d'une montre**.
 3. Allumez le gaz avec le briquet dans le trou de commande d'allumage.
 4. Maintenez la commande du brûleur enfoncée pendant 3 à 5 secondes.
- » Assurez-vous que le gaz s'est allumé et que la flamme est présente.
5. Maintenez la commande du brûleur enfoncée pendant 3 à 5 secondes supplémentaires.
 6. Réglez la puissance de cuisson/ gaz souhaitée.



1 Orifice de commande d'allumage



DANGER:

Vous risqueriez une compression de gaz et une explosion !

N'essayez pas d'allumer le gaz pendant plus de 15 secondes. Si le brûleur à gaz ne s'allume pas après 15 secondes, relâchez le bouton et patientez pendant 1 minute. Aérez la salle avant de réessayer d'allumer le brûleur à gaz. Vous risqueriez une compression de gaz et une explosion !

Arrêt du four à gaz

1. Tournez la manette de commande du four à gaz sur la position arrêt (haut).

Les niveaux de gaz signifient :

Niveau de gaz	1	2	3
°C	/		

Tableau des temps de cuisson



Le 1er étage du four est l'emplacement du premier gradin.



Capacité de charge maximale pour la plaque de four : 4 kg.



Les durées indiquées dans ce tableau ne servent que d'exemple. Elles peuvent varier selon la température, l'épaisseur et le type d'aliments, ainsi que vos préférences de cuisson.

Placez les plats sur du papier sulfurisé pour empêcher des écoulements sur la base du four et garder le four propre.

Cuisson au four et rôtisserie

Aliments	Accessoires à utiliser	Préchauffage *	Niveaux de d'insertion	Position de manette de contrôle	Temps de cuisson
Tourte aux pommes	Plat rond en métal d'un diamètre de 20 cm sur grille métallique***	10 min.	4..5	1	25..30 min.
Tarte aux fruits	Plat rond en métal d'un diamètre de 20 cm sur grille métallique***	10 min.	4..5	1	25..35 min.
Tourte	Plat rond en métal d'un diamètre de 20 cm sur grille métallique***	10 min.	3..4	1	30..40 min.
Cookies	Plaque standard**	10 min.	4..5	1	25..35 min.
Pâtisserie	Plaque standard**	10 min.	5	1	35..45 min.
Gâteau	Moule à cake sur grille métallique***	10 min.	3	1	30..40 min.
Biscuits	Plaque standard**	—	4..5	1	20..30 min.
Agneau rôti	Plaque standard**	10 min.	4..5	1	35..45 min.par 450 g + 30 min
Rôti de bœuf	Plaque standard**	10 min.	2	1	50..60 min.par

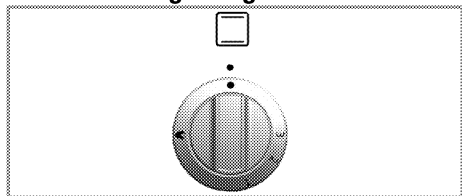
Dinde	Plaque standard**	10 min.	3...4	1	450 g + 30 min. 50...60 min.par 450 g + 30 min
Volaille	Plaque standard**	10 min.	3...4	1	30...40 min.par 450 g + 25 min.
Ragoûts	Plaque standard**	–	4	1	90...120 min. [§]
Poisson	Plaque standard**	10 min.	3	1	35...45 min.
Macaronis	Plaque standard**	10 min.	3...4	1	35...40 min.
Victoria sandwich (Génoise)	Plaque standard**	10 min.	3	1	22...28 min.

* en position de la manette de contrôle 2 / § selon la quantité / § selon la taille

** Ces accessoires ne sont pas forcément fournis avec le produit.

*** Ces accessoires ne sont pas fournis avec le produit. Il s'agit d'accessoires disponibles dans le commerce.

Utilisation du grill à gaz



Le grill est activé avec la manette de contrôle du grill. En position Arrêt (indicateur vers le haut), il n'y a pas d'alimentation en gaz.

La porte du four doit restée ouverte pendant le grill.



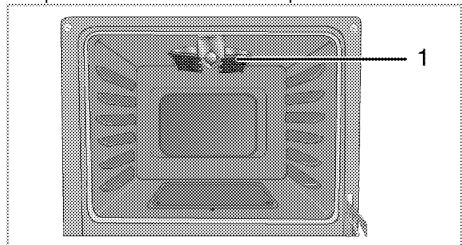
AVERTISSEMENT

Les surfaces chaudes peuvent brûler ! Tenez les enfants à l'écart de l'appareil. Laissez la porte du four légèrement inclinée lorsqu'elle est grandement ouverte, afin d'être à l'abri des éclaboussures.

Allumage du grill

Le grill du gaz est allumé avec un briquet ou une allumette.

- Ouvrez la porte du four.
- Maintenez la manette enfoncée et tournez-la **dans le sens des aiguilles d'une montre** sur le symbole grill.
- Allumez le gaz directement en approchant un briquet ou une allumette du brûleur du grill.
- Maintenez la commande du brûleur enfoncée pendant 3 à 5 secondes de plus.



1 Brûleur de grill



DANGER:

Vous risqueriez une compression de gaz et une explosion !
N'essayez pas d'allumer le gaz pendant plus de 15 secondes. Si le brûleur à gaz ne s'allume pas après 15 secondes, relâchez le bouton et patientez pendant 1 minute. Aérez la salle avant de réessayer d'allumer le brûleur à gaz. Vous risqueriez une compression de gaz et une explosion !

Extinction du grill

- Tournez la manette de contrôle du grill sur Arrêt (indicateur vers le haut)



Les aliments non adaptés pour le grill exposent à des risques d'incendie. N'utilisez que des aliments à griller adaptés à une chaleur de grill intense. Ne placez pas la nourriture trop au fond du grill. Il s'agit de la zone la plus chaude et les aliments gras pourraient prendre feu.

Tableau des temps de cuisson



Les durées indiquées dans ce tableau ne servent que d'exemple. Elles peuvent varier selon la température, l'épaisseur et le type d'aliments, ainsi que vos préférences de cuisson.



Le 1er étage du four est l'emplacement du premier gradin.


Grillade avec le grill à gaz

Aliments	Préparation/réglage	Temps de grill [#]
Faire griller du pain	3...10 min.
Petits morceaux de viande, saucisses, bacon, etc.	15...20 min.
Côtelettes, tranches de jambon fumé, morceaux de poulet, etc.	Poulet avec grille dans la position retournée.	20...25 min.
Poisson entier, filets de poissons, bâtonnets de poisson	Poisson entier et filets de poisson placés sur le fond de la lèche-frite.	10...20 min.
Poisson pané	15...20 min.
Produits précuits à base de pommes de terre	15...20 min.
Pizza	Placés dans la base de la lèche-frite.	12...15 min.
Faire dorer/griller des aliments	Plat posé directement au fond du compartiment grill.	8...10 min.
[#] selon la taille et l'épaisseur		

7 Maintenance et entretien


Généralités

Un nettoyage régulier de l'appareil en rallongera la durée de vie et diminuera l'apparition de problèmes.

 **DANGER:**
Débranchez l'appareil de la prise d'alimentation avant de commencer le nettoyage et l'entretien.
Vous risqueriez un choc électrique !

 **DANGER:**
Laissez l'appareil refroidir avant de le nettoyer. Les surfaces chaudes peuvent brûler !

- Nettoyez l'appareil après chaque utilisation. Il vous sera ainsi possible d'ôter plus facilement les résidus de nourriture éventuels, évitant ainsi qu'ils ne brûlent lors de l'utilisation suivante.
- Aucun produit nettoyant particulier n'est nécessaire pour nettoyer l'appareil. Utilisez de l'eau tiède avec du détergent, un chiffon doux ou une éponge pour nettoyer l'appareil et essuyez-le à l'aide d'un chiffon sec.
- Veillez toujours à bien essuyer les excès de liquide après le nettoyage et essuyez immédiatement tout déversement.
- N'utilisez pas de détergents contenant de l'acide ou du chlore pour nettoyer les surfaces en acier inoxydable et la poignée. Utilisez un chiffon doux avec un détergent liquide non abrasif pour nettoyer ces parties, en prenant soin de toujours frotter dans le même sens.
- **(Cette fonction est optionnelle. Elle peut ne pas être disponible sur votre produit.)**
N'utilisez pas de grattoirs métalliques ou de matériaux de nettoyage abrasifs pour nettoyer le couvercle en verre. La surface en verre pourrait être endommagée.

 La surface pourrait être endommagée par certains détergents ou produits de nettoyage. N'utilisez pas de détergents agressifs, de poudre/crèmes de nettoyage ou d'objets tranchants pour le nettoyage.

 N'utilisez pas de nettoyeurs à vapeur pour le nettoyage de l'appareil, car ceux-ci présentent un risque d'électrocution.

Nettoyage du brûleur

Nettoyage du brûleur

1. Retirez les grilles de la table de cuisson.

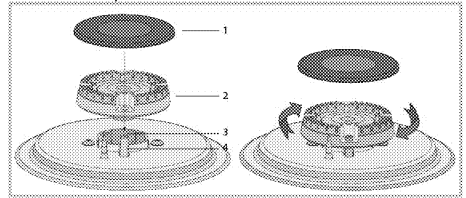
2. Retirez toutes les pièces amovibles du brûleur et nettoyez uniquement à la main à l'aide d'une éponge, un peu de détergent et de l'eau chaude.
3. Nettoyez les pièces fixes du brûleur avec un chiffon humide.
4. Nettoyez la fiche et l'élément thermique (pour les modèles avec systèmes d'allumage et thermique) à l'aide d'un chiffon légèrement humidifié. Puis, séchez en utilisant un chiffon propre. Assurez-vous que les trous pour flamme et la fiche ont bien séchés.

Dans le cas contraire, aucune étincelle ne se produira à la fin de l'allumage.

5. Lorsque vous installez les grilles supérieures, veillez à bien positionner les grilles afin de centrer les brûleurs.

Assemblez les pièces du brûleur


Après avoir nettoyé le brûleur, placez les pièces comme indiqué ci-dessous.



1. Couvercle du brûleur
 2. Tête du brûleur
 3. Chambre du brûleur
 4. Bougie (produits internes avec allumeur)
1. Placez la tête du brûleur de telle sorte qu'elle passe à travers la bougie du brûleur (4). Tournez la tête du brûleur vers la droite et vers la gauche pour vous assurer qu'elle est bien en place dans la chambre du brûleur.
 2. Placez le couvercle du brûleur sur la tête du brûleur.

Nettoyage du bandeau de commande

Nettoyez le bandeau de commande et les boutons de commande avec un chiffon humide et essuyez-les.

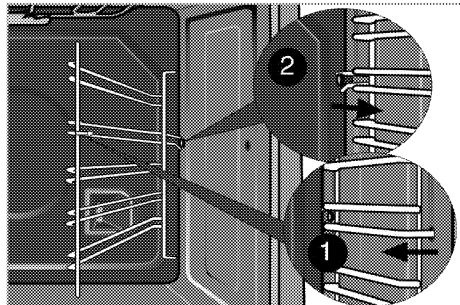
 Si votre produit est équipé des boutons, ne retirez pas ceux de commande pour nettoyer le panneau de commande.
Le panneau de commande pourrait être endommagé !

Nettoyage du four

Pour nettoyer la paroi latérale (Varient en fonction du modèle de four.)

(Cette fonction est optionnelle. Elle peut ne pas être disponible sur votre produit.)

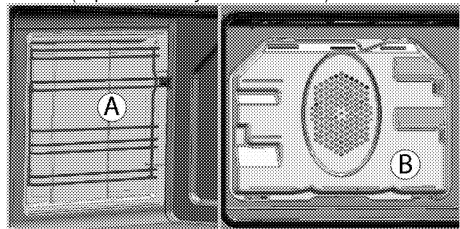
1. Retirez la partie avant du rail latéral en le tirant vers le côté opposé de la paroi latérale.
2. Retirez le rail latéral complètement en le tirant vers vous.



Parois catalytiques

(Cette fonction est optionnelle. Elle peut ne pas être disponible sur votre produit.)

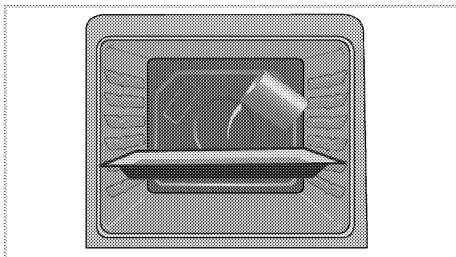
Les parois latérales internes (A) et/ou la paroi arrière (B) de votre produit peuvent être revêtues d'un émail catalytique. Les parois catalytiques ont une couleur mate claire et une surface poreuse. Ne nettoyez pas les parois catalytiques du four. Les surfaces poreuses des parois catalytiques sont nettoyées automatiquement par absorption et conversion des déversements d'huile (vapeur et dioxyde de carbone).



Nettoyage vapeur facile

Il assure un nettoyage facile parce que la saleté (après avoir attendu pas très longtemps) est ramollie par la vapeur qui se forme à l'intérieur du four et les gouttes d'eau de condensation sur les surfaces intérieures du four.

1. Retirez tous les accessoires du four.
2. Versez 300 ml d'eau sur la plaque du four et placez-la sur la deuxième grille.



3. Réglez la température du four à 100° C et laissez tourner sur le mode de nettoyage vapeur facile bas pendant 25 minutes.
4. Ouvrez la porte et essuyez les surfaces intérieures du four avec une éponge ou un chiffon humide.
5. Utilisez de l'eau tiède avec du détergent, une éponge ou un chiffon doux pour nettoyer la saleté persistante et enlevez-la à l'aide d'un chiffon sec.



Pendant le mode nettoyage vapeur facile, l'eau qui est placée dans le plateau pour ramollir les résidus et la saleté amassés dans la cavité du four s'évapore et se condense dans la cavité du four et dans le verre intérieur de la porte du four, de sorte que l'eau peut s'écouler lorsque vous ouvrez la porte du four. Essuyez la condensation dès que vous ouvrez la porte du four.

Nettoyage de la porte du four.

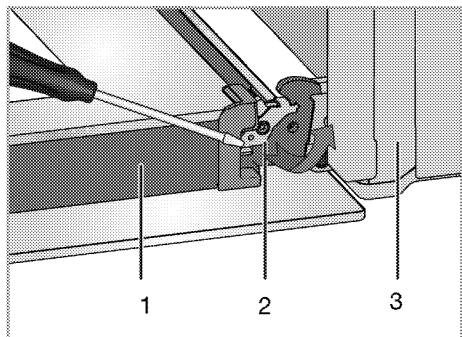
Utilisez de l'eau tiède avec du détergent, un chiffon doux ou une éponge pour nettoyer la porte du four et essuyez l'appareil à l'aide d'un chiffon sec.



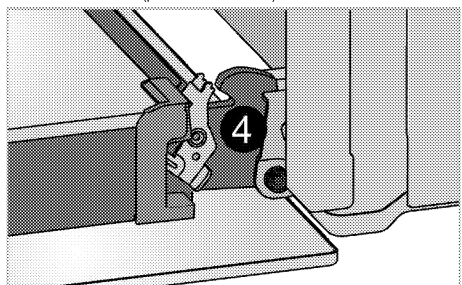
N'utilisez pas de détergents abrasifs ou de grattoirs en métal dur pour nettoyer la porte du four. Vous pourriez rayer la surface et endommager la vitre.

Retirer la porte du four.

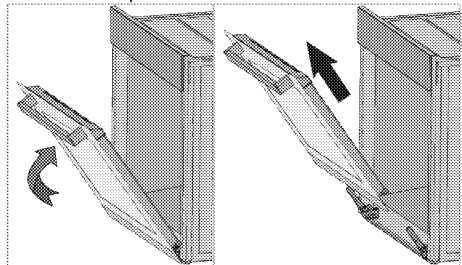
1. Ouvrez la porte frontale (1).
2. Ouvrez les clips sur le logement de la charnière (2) sur les côtés droit et gauche de la porte frontale en faisant pression sur les clips, tel qu'illustré dans le schéma.



- 1 Porte
- 2 Charnière(position fermée)
- 3 Four
- 4 Charnière(position ouverte)



- 3. Ouvrez la porte frontale à moitié.



- 4. Retirez la porte frontale en la tirant vers le haut pour la libérer des charnières droite et gauche.

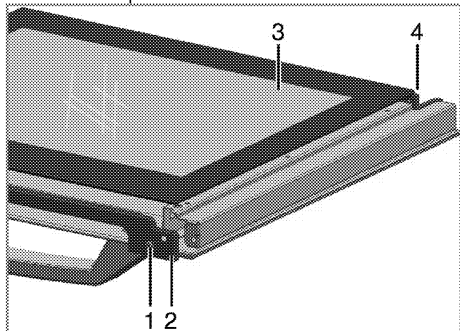
i Les étapes effectuées pendant le processus de retrait doivent être suivies dans l'ordre inverse pour installer la porte. N'oubliez pas de fermer les clips du logement de la charnière lors de la réinstallation de la porte.

Retrait de la vitre de la porte

(Cette fonction est optionnelle. Elle peut ne pas être disponible sur votre produit.)

Le panneau vitré interne de la porte du four peut être retiré pour le nettoyage.

- 1. Ouvrez la porte du four.



- 1 Vis
 - 2 Profil
 - 3 Panneau vitré du fond
 - 4 Encoche en plastique
- 2. Retirez la vis (1) à l'aide d'un tournevis
 - 3. Retirez le profil (2) puis tenez le panneau vitré du fond (3).
 - 4. Regroupez à nouveau les éléments de la porte, mettez le panneau vitré (3) en place dans les fentes en plastique (4) et assemblez le profil.

8 Recherche et résolution des pannes

Le four émet de la vapeur lorsqu'il est en marche.

- Il est normal que de la vapeur s'échappe pendant le fonctionnement. >>> *Cela n'est pas un défaut.*

Le appareil émet des bruits métalliques lors des phases de chauffage et de refroidissement.

- Lorsque les pièces métalliques sont chauffées, elles peuvent se détendre et émettre ces bruits. >>> *Cela n'est pas un défaut.*

Il n'y a pas d'étincelle d'allumage.

- Pas de courant. >>> *Vérifiez les fusibles dans la boîte à fusibles.*

Il n'y a pas de gaz.

- Le robinet de gaz principal est fermé. >>> *Ouvrez le robinet du gaz.*
- Le tuyau du gaz est plié. >>> *Installez le tuyau du gaz correctement.*

Les brûleurs ne s'allument pas correctement ou pas du tout.

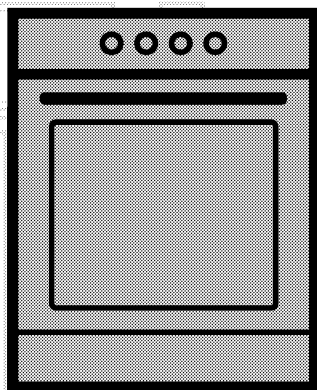
- Les brûleurs sont sales. >>> *Nettoyez les composants des brûleurs.*
- Les brûleurs sont humides. >>> *Séchez les composants des brûleurs.*
- Le couvercle du brûleur n'est pas assemblé correctement. >>> *Assemblez le couvercle du brûleur correctement.*
- Le robinet de gaz principal est fermé. >>> *Ouvrez le robinet du gaz.*
- La bonbonne de gaz est vide (en cas d'utilisation du LPG). >>> *Remplacez la bonbonne du gaz.*



Consultez le technicien autorisé ou le revendeur qui vous a vendu l'appareil si vous ne parvenez pas à résoudre le problème après avoir suivi les instructions comprises dans ce chapitre. N'essayez jamais de réparer un appareil défectueux vous-même.

Backofen

Gebrauchsanleitung



DE

beko

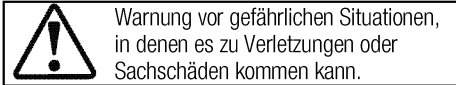
Bitte zuerst diese Bedienungsanleitung lesen!

Sehr geehrte Kundin, sehr geehrter Kunde,
vielen Dank für den Kauf eines Beko-Produktes. Wir hoffen, dass dieses Produkt, das mit hochwertiger und hochmoderner Technologie hergestellt wurde, beste Ergebnisse erzielt. Daher bitte die gesamte Bedienungsanleitung und alle beiliegenden Dokumente aufmerksam durchlesen und zum zukünftigen Nachschlagen aufbewahren. Bei Weitergabe des Produktes auch die Bedienungsanleitung mit aushändigen. Alle Warnungen und Informationen in der Bedienungsanleitung einhalten.

Bitte beachten, dass diese Bedienungsanleitung für unterschiedliche Modelle geschrieben wurde. Unterschiede zwischen den verschiedenen Modellen werden natürlich in der Anleitung erwähnt.

Die Symbole

In dieser Anleitung verwenden wir folgende Symbole:



Arçelik A.Ş.
Karaağaç caddesi No:2-6
34445 Sütlüce/Istanbul/TURKEY
Made in TURKEY

1 Wichtige Sicherheits- und Umwelthinweise **4**

Allgemeine Sicherheit.....	4
Sicherheit beim Umgang mit Gas.....	5
Produktsicherheit.....	6
Bestimmungsgemäße Verwendung.....	8
Sicherheit von Kindern.....	9
Altgeräte entsorgen.....	9
Verpackungsmaterialien entsorgen.....	9

2 Allgemeine Informationen **10**

Geräteübersicht.....	10
Lieferumfang.....	11
Technische Daten.....	12
Injektortabelle.....	12

3 Installation **13**

Vor der Installation.....	13
Einbauen und Anschließen.....	14
Gasumstellung.....	17
Transport.....	20

4 Vorbereitungen **21**

Tipps zum Energiesparen.....	21
Erste Inbetriebnahme.....	21
Erstreinigung des Gerätes.....	21
Erstaufheizung.....	21

5 Bedienung Kochfeld **22**

Allgemeine Hinweise zum Kochen.....	22
Kochfeld verwenden.....	22

6 Bedienung des Backofens **24**

Allgemeine Hinweise zum Backen, Braten und Grillen.....	24
Gasbackofen bedienen.....	25
Garzeitentabelle.....	25
Gasgrill bedienen.....	26
Garntabelle.....	27

7 Reinigung und Wartung **28**

Allgemeine Hinweise.....	28
Kochfeld reinigen.....	28
Bedienfeld reinigen.....	28
Backofen reinigen.....	29
Backofentür ausbauen.....	29
Türinnenscheibe ausbauen.....	30

8 Problemlösungen **31**

1 Wichtige Sicherheits- und Umwelthinweise

Dieser Abschnitt enthält Hinweise, die für die Sicherheit des Benutzers und anderer Personen unerlässlich sind. Diese Hinweise müssen beachtet werden, damit es nicht zu Verletzungen oder Sachschäden kommt.

Bei Nichteinhaltung dieser Anweisungen erlöschen sämtliche Garantieansprüche.

Allgemeine Sicherheit

- Dieses Gerät darf von Kindern (ab acht Jahren) oder Personen bedient werden, die unter körperlichen, sensorischen oder geistigen Einschränkungen leiden oder denen es an der nötigen Erfahrung und Wissen im Umgang mit solchen Geräten mangelt, wenn solche Personen beaufsichtigt werden und, zuvor gründlich mit der sicheren Bedienung des Gerätes vertraut gemacht wurden und sich der damit verbundenen Gefahren voll und ganz bewusst sind. Kinder dürfen nicht mit dem Gerät spielen. Reinigungs- und Wartungsarbeiten dürfen von Kindern nicht ohne Aufsicht eines Erwachsenen durchgeführt werden.
- Das Gerät darf nicht von Personen genutzt werden, die unter körperlichen oder geistigen Einschränkungen leiden oder denen es an der nötigen Erfahrung im Umgang mit solchen Geräten mangelt. Ausnahmen sind nur dann möglich, wenn solche Personen beaufsichtigt werden oder gründlich über den richtigen Umgang mit dem Gerät aufgeklärt wurden. Dies gilt natürlich auch für Kinder. Kinder müssen stets beaufsichtigt werden, damit sie nicht mit dem Gerät spielen.
- Falls das Produkt an jemand anderen zur persönlichen oder Secondhand-Benutzung übergeben wird, sollten Bedienungsanleitung, Produktetiketten und andere relevante Dokumente und Teile ebenfalls übergeben werden.
- Produkt niemals auf einen Teppichboden stellen. Andernfalls kann die geringe Luftzirkulation unter dem Produkt eine Überhitzung der elektrischen Teile zur Folge haben. Dies führt zu Problemen mit dem Produkt.
- Installation und Reparaturen müssen grundsätzlich vom autorisierten Kundendienst ausgeführt werden. Der Hersteller haftet nicht für Schäden, die durch den Eingriff nicht

autorisierter Personen entstehen; zudem kann dadurch die Garantie erlöschen. Vor der Installation aufmerksam alle Anweisungen lesen.

- Gerät nicht nutzen, falls es nicht ordnungsgemäß funktioniert oder sichtbare Beschädigungen aufweist.
- Nach jeder Benutzung prüfen, ob die Funktionsknöpfe des Produktes ausgeschaltet sind.

Sicherheit beim Umgang mit Gas

- Arbeiten an Gasgeräten und -anlagen dürfen nur von autorisierten Fachkräften durchgeführt werden.
- Vergewissern Sie sich vor der Installation, dass Gasart und Gasdruck mit der Einstellung des Gerätes kompatibel sind.
- Dieses Gerät wird nicht an Ableitvorrichtungen für Verbrennungsgase angeschlossen. Es muss in Übereinstimmung mit gültigen Installationsvorschriften installiert und angeschlossen werden. Besonderes Augenmerk ist auf die zutreffenden Richtlinien zur Belüftung zu legen; siehe *Vor der Installation, Seite 13*
- VORSICHT: Die Nutzung eines Gaskochgerätes erzeugt Hitze, Feuchtigkeit und Verbrennungsprodukte in dem

Raum, in dem es installiert ist. Stellen Sie eine gute Durchlüftung der Küche sicher; vor allem wenn das Gerät in Betrieb ist: Halten Sie natürliche

Belüftungsöffnungen offen oder installieren Sie ein mechanisches Entlüftungsgerät (mechanische Abzugshaube). Bei längerem und intensivem Einsatz des Gerätes kann eine zusätzliche Belüftung erforderlich sein; beispielsweise die Erhöhung der Intensität des mechanischen Entlüftungssystems (sofern vorhanden).

- Gasgeräte und -anlagen müssen regelmäßig auf einwandfreie Funktion überprüft werden. Regulator, Schlauch und -klemme müssen regelmäßig überprüft und in vom Hersteller vorgegebenen Intervallen oder bei Bedarf ausgetauscht werden.
- Reinigen Sie regelmäßig die Gasbrennstellen. Die Flammen sollen ruhig und blau brennen.
- Dieses Produkt sollte in einem Raum mit einem angemessen angepassten und funktionierenden Kohlenmonoxidsensor verwendet werden. Stellen Sie sicher, dass der Kohlenmonoxidsensor richtig funktioniert und regelmäßig gewartet wird. Der

Kohlenmonoxidsensor sollte maximal 2 m vom Produkt installiert sein.

- In Gasgeräten muss eine gute Verbrennung stattfinden. Bei unvollständiger Verbrennung kann es zur Bildung von Kohlenmonoxid (CO) kommen. Kohlenmonoxid ist ein farbloses, geruchloses und sehr giftiges Gas, welches schon in geringen Mengen tödlich wirkt.
- Informieren Sie sich bei Ihrem Gasversorgungsunternehmen über Gas-Notrufnummern und Sicherheitsmaßnahmen bei Gasgeruch.

Verhaltensregeln bei Gasgeruch

- Keine offenen Flammen nutzen, nicht rauchen. Keinerlei elektrische Schalter (Beleuchtung, Türklingel etc.) nutzen. Keine Telefone/Mobiltelefone nutzen. Explosions- und Vergiftungsgefahr!
- Türen und Fenster öffnen.
- Alle Ventile an Gasgeräten und Gaszählern schließen.
- Alle Schläuche und Verbindungen auf Dichtigkeit überprüfen. Falls Sie immer noch Gasgeruch wahrnehmen, die Wohnung verlassen.
- Nachbarn warnen.
- Feuerwehr rufen. Benutzen Sie ein Telefon außerhalb des Hauses.

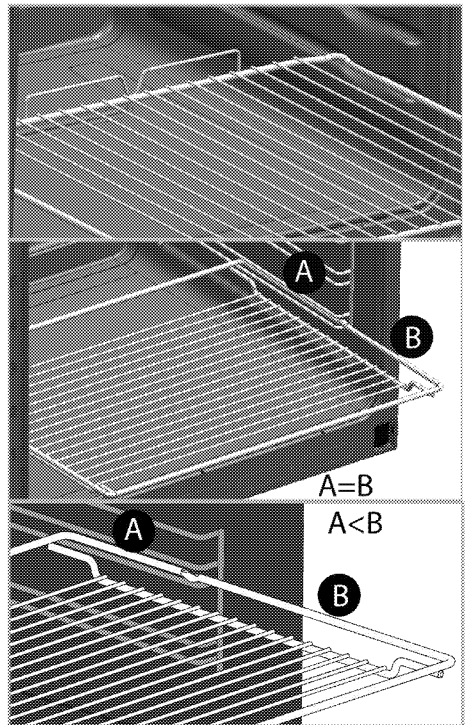
- Nähern Sie sich erst dann wieder, wenn Ihnen mitgeteilt wurde, dass keine Gefahr besteht.

Produktsicherheit

- **WARNUNG:** Das Gerät und seine zugänglichen Teile werden während des Betriebs heiß. Keine Heizelemente berühren. Kinder unter 8 Jahren fernhalten, sofern nicht kontinuierlich beaufsichtigt.
- Produkt niemals nutzen, wenn Urteilsvermögen oder Koordination durch Alkohol und/oder Drogen beeinträchtigt sind.
- Bei alkoholischen Getränken in den Gerichten entsprechend vorsichtig sein. Alkohol verdampft bei hohen Temperaturen und kann durch Entzünden bei Kontakt mit heißen Oberflächen Feuer verursachen.
- Keine brennbaren Materialien in der Nähe des Produktes aufstellen, da die Seiten während des Gebrauchs heiß werden können.
- Während des Gebrauchs wird das Gerät heiß. Keine Heizelemente im Inneren des Backofens berühren.
- Darauf achten, dass keine Belüftungsschlitze blockiert werden.
- Keine geschlossenen Dosen und Glasgefäße im Ofen erhitzen. Der

in der Dose/im Glasgefäß
entstehende Druck könnte
Dose/Glasgefäß bersten lassen.

- Backbleche, Gerichte und Alufolie nicht direkt auf den Boden des Backofens stellen. Der Hitzestau kann den Boden des Backofens beschädigen.
- Zur Reinigung der Backofen-Glastür keine aggressiven scheuernden Reiniger oder scharfen Metallschaber verwenden, da diese die Oberfläche zerkratzen und so das Glas springen lassen können.
- Zur Reinigung des Gerätes keine Dampfreiniger verwenden; andernfalls besteht Stromschlaggefahr.
- (Variiert je nach Produktmodell.) Rost und Backblech richtig einsetzen
Es ist wichtig, dass Rost und/oder Blech richtig in den Einschüben sitzen. Schieben Sie Rost oder Blech zwischen zwei Schienen ein, vergewissern Sie sich, dass insbesondere der Rost gerade sitzt, bevor Sie Lebensmittel darauf legen; bitte schauen Sie sich die folgende Abbildung an.



- Produkt nicht verwenden, falls das Glas der Fronttür entfernt oder gesprungen ist.
- Griff der Ofentüre nicht zum Trocknen von Geschirrtüchern verwenden. Keine Geschirrtücher, Handschuhe oder vergleichbare Textilprodukte aufhängen, wenn die Grillfunktion bei geöffneter Tür arbeitet.
- Beim Hineingeben oder Herausnehmen von Gerichten in den/aus dem heißen Ofen immer hitzebeständige Handschuhe verwenden.
- Legen Sie das Backpapier mit den Lebensmitteln in einem Kochtopf oder auf einem Ofenzubehör

(Backblech, Rost etc.) aus und geben Sie alles zusammen in den vorgeheizten Ofen. Entfernen Sie überschüssige Bereiche des Backpapiers, die über das Zubehör oder den Topf hinausragen, damit es keine Heizelemente des Ofens berührt. Verwenden Sie Backpapier niemals bei einer Betriebstemperatur, welche die für das Backpapier angegebenen Werte übersteigen. Legen Sie Backpapier nicht direkt auf dem Boden des Ofens aus.

- Obere Abdeckung nicht vor Abkühlen der Herdplatten oder Brenner schließen. Obere Abdeckung vor dem Öffnen trocken, damit kein Wasser in die hinteren und Innenbereiche des Backofens läuft.
- Damit es nicht zu Überhitzung kommt, darf das Gerät nicht hinter Zierklappen/Ziertüren aufgestellt werden
- Das Gerät muss direkt auf dem Boden stehen. Es darf nicht auf Sockeln oder anderweitig erhöht aufgestellt werden.
- **WARNUNG:** Unbeaufsichtigtes Garen auf einem Kochfeld mit Fett oder Öl kann gefährlich sein und Brände verursachen. Niemals versuchen, ein Feuer mit Wasser zu löschen; stattdessen das Gerät

abschalten und Flammen z. B. mit einem Deckel oder einer Feuerlöschdecke abdecken.

- **VORSICHT:** Das Gerät muss beim Kochen im Auge behalten werden. Auch bei kurzen Zubereitungen muss das Gerät ständig im Auge behalten werden.
- **WARNUNG:** Brandgefahr: Keine Gegenstände auf den Kochoberflächen aufbewahren.

Brandschutzvorkehrungen des Produktes:

- Sicherstellen, dass die elektrische Verbindung richtig in die Steckdose eingesteckt ist und keine Funken erzeugt.
- Keine beschädigten oder abgeschnittenen Kabel bzw. Verlängerungskabel verwenden; nur das Originalkabel einsetzen.
- Beim Anschließen des Produktes sicherstellen, dass sich keine Flüssigkeit oder Feuchtigkeit an der elektrischen Verbindung befindet.
- Sicherstellen, dass der Gasanschluss richtig installiert ist und kein Gas austritt.

Bestimmungsgemäße Verwendung

- Dieses Gerät wurde für den reinen Hausgebrauch entwickelt. Eine gewerbliche Nutzung ist nicht zulässig.
- **VORSICHT:** Dieses Gerät dient ausschließlich der Zubereitung

von Speisen. Es darf nicht zu anderen Zwecken eingesetzt werden.

- Benutzen Sie das Gerät nicht zum Vorwärmen von Tellern, hängen Sie keine Küchentücher, Handtücher und dergleichen zum Trocknen oder Anwärmen an die Griffe.
- Der Hersteller haftet nicht für Schäden, die durch unsachgemäßen Gebrauch oder falsche Bedienung verursacht werden.
- Das Gerät ist zum Garen, Auftauen, Backen, Braten und Grillen von Lebensmitteln geeignet.

Sicherheit von Kindern

- **WARNUNG:** Verschiedene Teile des Gerätes werden während des Gebrauchs heiß. Daher kleine Kinder vom Gerät fernhalten.
- Verpackungsmaterialien können eine Gefahr für Kinder darstellen. Sämtliche Verpackungsmaterialien an einem sicheren Ort und außerhalb der Reichweite von Kindern aufbewahren.

- Elektrische- und/oder Gasprodukte können eine Gefahr für Kinder darstellen. Kinder im Betrieb daher unbedingt vom Gerät fernhalten. Kinder nicht mit dem Gerät spielen lassen.
- Es ist eine zusätzliche Schutzmaßnahme verfügbar, mit der sich der Kontakt mit der Ofentür vermeiden lässt. Dieser Teil sollte angebracht werden, wenn sich Kinder in der Nähe des Produktes aufhalten.
- Keine Gegenstände auf das Gerät stellen, die Kinder erreichen können.
- Wenn die Ofentür geöffnet ist, keine schweren Gegenstände darauf ablegen und keine Kinder darauf sitzen lassen. Das Gerät kann kippen oder die Ofentür oder die Türscharniere können beschädigt werden.

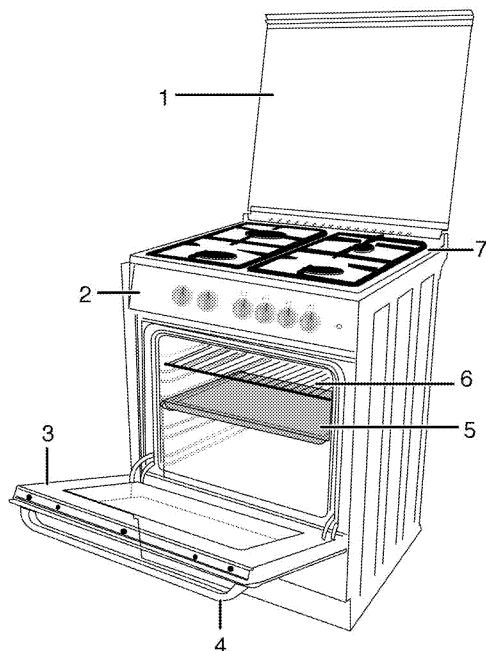
Altgeräte entsorgen

Verpackungsmaterialien entsorgen

- Die Verpackung des Gerätes besteht aus wiederverwertbaren Materialien. Entsorgen Sie diese vorschriftsgemäß und entsprechend sortiert. Entsorgen Sie solche Materialien nicht mit dem normalen Hausmüll.

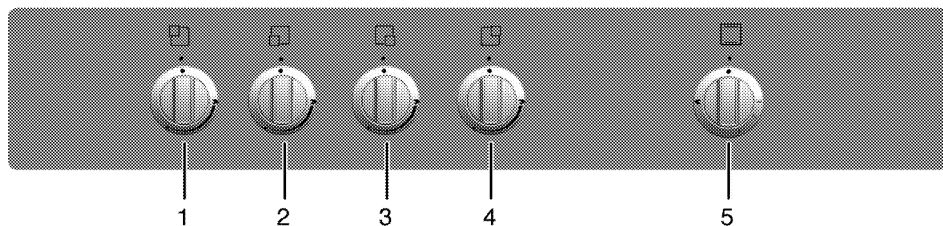
2 Allgemeine Informationen

Geräteübersicht



- 1 Oberer Deckel
- 2 Bedienfeld
- 3 Backofentür
- 4 Griff

- 5 Backblech
- 6 Gitterrost
- 7 Brennerplatte



- 1 Normalbrenner Hinten links
- 2 Nebenzbrenner Vorne links
- 3 Schnellbrenner Vorne rechts
- 4 Normalbrenner Hinten rechts
- 5 Ofenknopf

Lieferumfang

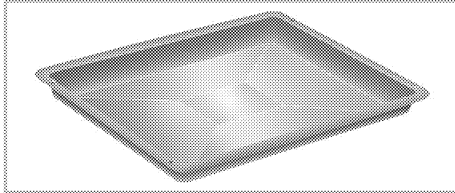


Je nach Modell wird eventuell unterschiedliches Zubehör mitgeliefert. Daher kann es vorkommen, dass nicht sämtliches in der Anleitung erwähntes Zubehör mit Ihrem Gerät geliefert wird.

1. **Bedienungsanleitung**

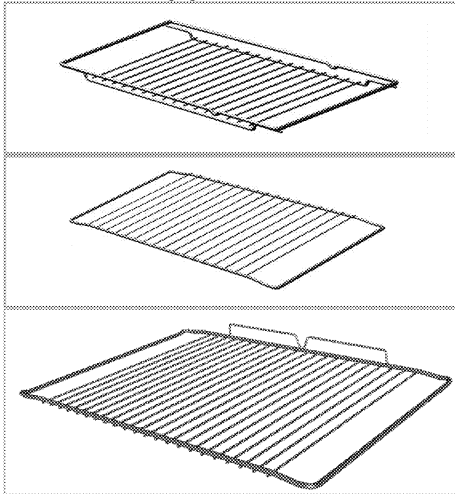
2. **Backblech**

Für Backwaren, Tiefkühlgerichte und große Braten.



3. **Rost**

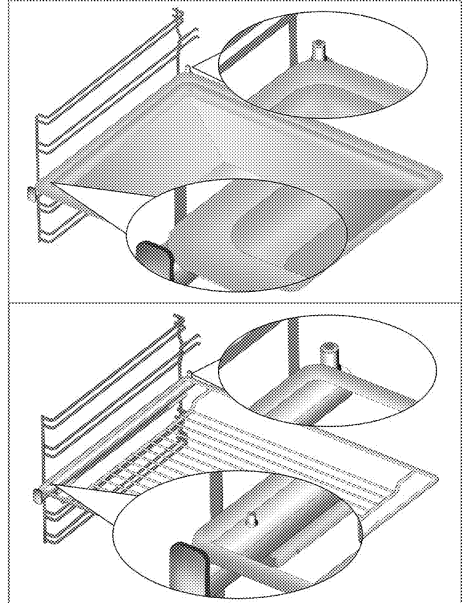
Zum Rösten und Grillen und als Unterlage für Behälter, in denen unterschiedlichste Lebensmittel gegart werden können.



4. **Gitterrost und Backblech richtig in die Teleskopeinschübe einschieben**
(Dieses Merkmal ist optional. Es ist bei Ihrem Modell möglicherweise nicht vorhanden.)

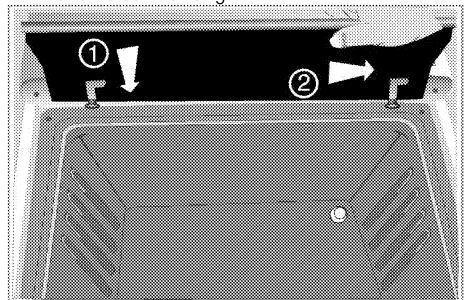
Durch die Teleskopeinschübe lassen sich Bleche und Rost besonders leicht einlegen und entfernen.

Achten Sie beim Einsatz von Backblech und Gitterrost mit den Teleskopeinschüben darauf, dass die Stifte am rückwärtigen Teil des Teleskopeinschubs die Kanten von Backblech und Gitterrost berühren.




5. **Bedienelementeschutz**


Zum Grillen mit geöffneter Backofentür. Schützt Bedienfeld und andere Bedienelemente vor Hitze und Verschmutzung.




Technische Daten

ALLGEMEIN	
Außenabmessungen (Höhe/Breite/Tiefe)	850 mm/500 mm/500 mm
Gasproduktkategorie	II 2H3+
Gastyp/Gasdruck	NG G 20/20 mbar
Gasverbrauch gesamt	9,5 kW
Umstellung auf Gastyp/Gasdruck ^S	LPG G 30/28-30 mbar
– alternativ	Propan 31/37 mbar
KOCHFELD	
Kochzonen	
Hinten links	Normalbrenner
Leistung	2 kW
Vorne links	Nebenbrenner
Leistung	1kW
Vorne rechts	Schnellbrenner
Leistung	2,5 kW
Hinten rechts	Normalbrenner
Leistung	2 kW
BACKOFEN/GRILL	
Hauptofen	Gasofen
Leistungsaufnahme Grill	2.0 kW
Gasverbrauch Backofen	2.0 kW

 Im Zuge der Qualitätsverbesserung können sich technische Daten ohne Vorankündigung ändern.

 Die Abbildungen in dieser Anleitung dienen lediglich der Veranschaulichung und können etwas vom tatsächlichen Aussehen des Gerätes abweichen.

 Angaben am Produkt oder in der begleitenden Dokumentation wurden unter Laborbedingungen unter Berücksichtigung der zutreffenden Richtlinien ermittelt. Solche Werte können je nach Einsatzumgebung und Nutzungsweise des Gerätes abweichen.

Injektortabelle

Position, Kochfeldzone	2 kW Hinten links	1kW Vorne links	2,5 kW Vorne rechts	2 kW Hinten rechts
Gastyp/Gasdruck				
G 20/20 mbar	103	72	125	103
G 30/28-30 mbar	72	50	80	72
G 31/ 37 mbar	72	50	80	72
Gastyp/Gasdruck	Gasofen		GRILL	
G 20/20 mbar	105		105	
G 30/28-30 mbar	71		71	
G 31/ 37 mbar	71		71	

3 Installation

Gerät vom nächstgelegenen autorisierten Kundendienst gemäß gültigen Bestimmungen installieren lassen. Andernfalls erlischt die Garantie. Der Hersteller haftet nicht für Schäden, die durch Aktivitäten nicht autorisierter Personen entstehen; zudem kann dadurch die Garantie erlöschen.



Die Vorbereitung des Aufstellungsortes und der elektrischen und Gasanschlüsse sind Sache des Kunden.



GEFAHR:

Die Installation des Gerätes muss in Übereinstimmung mit sämtlichen zutreffenden Vorschriften zur Gas- und/oder Elektroinstallation erfolgen.



GEFAHR:

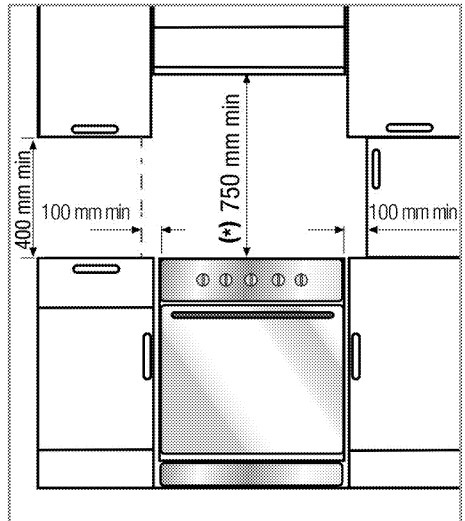
Gerät vor der Installation auf eventuelle, sichtbare Defekte untersuchen. Falls Defekte vorliegen, darf das Gerät nicht installiert werden.

Beschädigte Geräte müssen grundsätzlich als Sicherheitsrisiko betrachtet werden.

Vor der Installation

Un sicherzustellen, dass unter dem Produkt genügend Abstand zur Oberfläche ist, empfehlen wir, dass das Produkt auf einer soliden Basis montiert wird und dass die Füße nicht auf einen Teppich oder eine andere weiche Oberfläche gestellt werden.

Der Küchenboden muss das Gerätgewicht sowie zusätzlich das Gewicht von Koch- bzw. Backgeschirr und von Speisen mühelos tragen können.



- Der Ofen kann mit Schränken an beiden Seiten benutzt werden. Ein Abstand von mindestens 400 mm über der Herdplatte und ein Abstand von 65 mm zwischen Gerät und Wand oder Hochschrank muss eingehalten werden.
- Das Kochfeld kann auch freistehend benutzt werden. Achten Sie auf einen minimalen Abstand von 750 mm oberhalb des Kochfeldes.
- (*) Wenn eine Dunstabzugshaube über dem Kochfeld installiert werden soll, beachten Sie die Anweisungen des Herstellers zur Installationshöhe (mindestens 650 mm Abstand).
- Das Gerät entspricht der Geräteklasse 1, d. h. es kann mit der Rückwand und **einer** Seitenwand an Küchenwände, Küchenmöbel oder Geräte beliebiger Höhe gestellt werden. An der anderen Seitenwand dürfen nur **Küchenmöbel** oder Geräte mit gleicher oder geringerer Höhe stehen.
- Angrenzende Küchenmöbel müssen hitzebeständig sein (bis mindestens 100 °C).

Raumbelüftung

In sämtlichen Räumen muss ein Fenster zum Öffnen oder eine gleichwertige Belüftungsöffnung vorhanden sein. Bei bestimmten Räumen ist zusätzlich eine permanente Belüftung erforderlich. Die zur Verbrennung benötigte Luft wird der Raumluft entnommen, Abgase werden direkt in den Raum abgegeben. Eine gute Belüftung ist zum sicheren Betrieb Ihres Gerätes unerlässlich.

Räume mit Türen und/oder Fenstern, die direkt ins Freie führen

Die Öffnung von ins Freie führenden Türen und/oder Fenstern muss den Angaben in nachstehender Tabelle entsprechen. Diese basieren auf der Gasgesamtleistung des Gerätes (den Gasgesamtverbrauch des Gerätes finden Sie in der Tabelle der technischen Daten in dieser Bedienungsanleitung). Falls die gesamte Öffnung der Türen und/oder Fenster nicht dem Gasgesamtverbrauch des Gerätes gemäß nachstehender Tabelle entspricht, muss unbedingt eine zusätzliche Öffnung zur permanenten Belüftung des Raumes geschaffen werden, damit die minimalen Belüftungsvorgaben zum Gasgesamtverbrauch des Gerätes erreicht werden. Die permanente Belüftungsöffnung kann auch mit Hohlblocksteinen, Abzugshaubenrohren etc. realisiert werden.

Gasgesamtverbrauch (kW)	Minimale Belüftungsöffnung (cm ²)
0 – 2	100
2 – 3	120
3 – 4	175
4 – 6	300
6 – 8	400
8 – 10	500
10 – 11,5	600
11,5 – 13	700
13 – 15,5	800
15,5 – 17	900
17 – 19	1000
19 – 24	1250

Räume mit öffnungsfähigen Türen und/oder Fenstern, die direkt ins Freie führen

Falls der Raum, in dem das Gerät installiert wird, über keine direkt ins Freie führenden Fenster/Türen verfügt, müssen zwingend andere Maßnahmen zum Schaffen einer permanenten, nicht verstellbaren und nicht verschließbaren Belüftungsöffnung geschaffen werden, welche den Vorgaben zur minimalen Belüftungsöffnung entsprechend dem Gasgesamtverbrauch des Gerätes gemäß obiger Tabelle entspricht. Zusätzlich sollten entsprechende Gebäudevorgaben berücksichtigt werden. Wenn Zimmer oder andere Innenräume mit mehreren Gasgeräten ausgestattet werden, müssen zusätzlich zu den Vorgaben der obigen Tabelle weitere Belüftungsmöglichkeiten geschaffen werden. Die Größe der zusätzlichen Belüftungsfläche muss den Vorgaben für die weiteren Gasgeräte entsprechen.

Zusätzlich muss an der Unterkante der zum Raum mit dem aufgestellten Gerät führenden Tür ein Spalt von mindestens 10 mm verbleiben. Sorgen Sie unbedingt dafür, dass dieser Spalt beim Schließen der Tür nicht von Teppichen, anderen Bodenbelägen oder dergleichen blockiert wird.

Der Herd darf in Küchen, offenen Küchen, Esszimmern, Wohn- und Schlafzimmern und dergleichen aufgestellt werden, nicht jedoch in Räumen mit Bad oder Dusche. Der Herd darf nicht in Wohn- und Schlafzimmern mit weniger als 20 m³ Raumvolumen aufgestellt werden.³ Stellen Sie das Gerät nicht in Räumen unter der Erdoberfläche auf, wenn diese nicht an mindestens einer Seite eine Öffnung ins Freie aufweisen.

Einbauen und Anschließen

Das Gerät darf nur nach den gesetzlichen Installationsvorschriften angeschlossen und installiert werden.



Stellen Sie das Gerät nicht neben Kühl- oder Gefriergeräten auf. Die Wärmeabgabe des Gerätes führt zu steigendem Energieverbrauch der Kühlgeräte.

- Tragen Sie das Gerät grundsätzlich mit mindestens zwei Personen.
- Das Gerät muss direkt auf dem Fußboden stehen. Es darf nicht auf einen Sockel oder eine andere Erhöhung gestellt werden.



Missbrauchen Sie die Tür/den Türgriff nicht zum Anheben oder Bewegen des Gerätes. Tür, Griff und Scharniere können beschädigt werden.

Gasanschluss



GEFAHR:

Das Gerät darf nur durch eine autorisierte und qualifizierte Fachkraft mit der Gasversorgung verbunden werden. Explosions- und Vergiftungsgefahr durch nicht sachgerechte Reparaturen! Der Hersteller haftet nicht für Schäden, die durch Aktivitäten nicht autorisierter Dritter entstehen.



GEFAHR:

Vor Arbeiten an der Gasinstallation die Gaszufuhr schließen. Es besteht Explosionsgefahr!

- Bedingungen und Werte zur Gaseinstellung finden Sie auf den Etiketten (oder auf dem Typenschild).

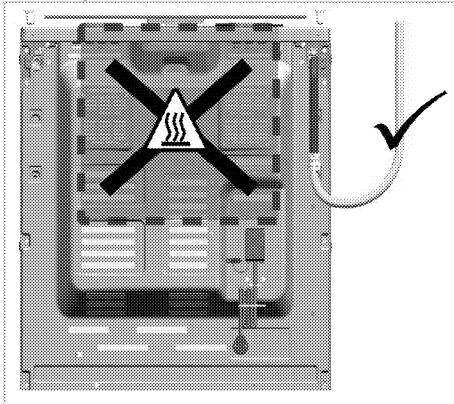


Ihr Gerät ist auf Erdgas (NG) eingestellt.

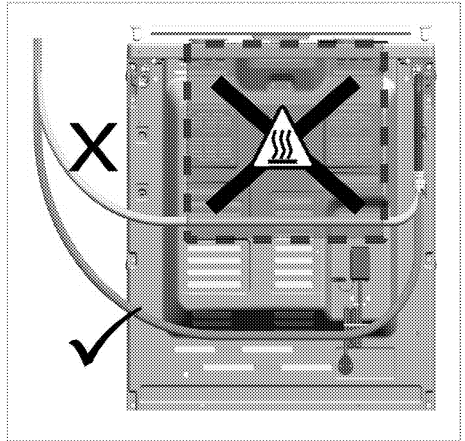
- Erdgasanschlüsse müssen vor der Installation des Geräts vorbereitet werden.
- Der Gasanschluss Ihres Geräts muss durch einen autorisierten Service erfolgen.
- Am Auslass der Installation muss ein flexibler Schlauch zum Erdgasanschluss Ihres Geräts vorhanden sein, dessen Ende mit einem Blindstopfen verschlossen wird. Der Blindstopfen wird während des Anschlusses entfernt und Ihr Gerät über eine Flachsteckvorrichtung (Hülse) angeschlossen.
- Sorgen Sie dafür, dass die Erdgasarmatur frei zugänglich ist.
- Falls Sie Ihr Gerät später mit einer anderen Gasart verwenden möchten, müssen Sie die Umstellung von einem autorisierten Kundendienstmitarbeiter durchführen lassen.

Wenn Ihr Gerät nur einen Gasausgang hat;

- Bevor Sie den Gasschlauch anschließen, vergewissern Sie sich, dass sich der Gasschlauchausgang an der Rückseite des Geräts auf der gleichen Seite wie das Erdgasventil befindet.

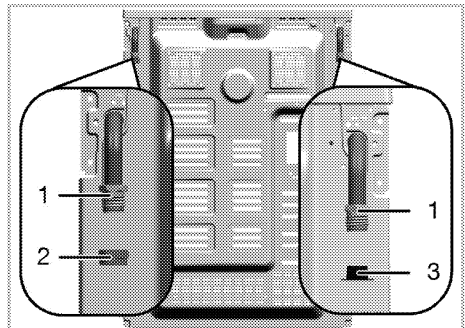


- Wenn sich der Gasschlauchauslass und das Erdgasventil nicht auf der gleichen Seite befinden, achten Sie darauf, dass der Schlauch beim Anschluss nicht durch den heißen Bereich geführt wird.



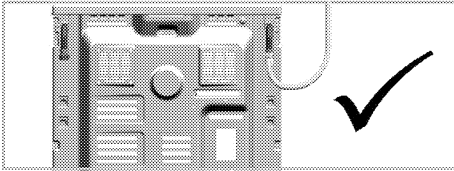
Wenn Ihr Gerät zwei Gasausgänge hat;

- Einer der beiden Ausgänge ist mit einem Blindstopfen und der andere mit einem Kunststoffstopfen verschlossen. Die Anordnung von Blind- und Kunststoffstopfen kann je nach Gerät unterschiedlich sein.

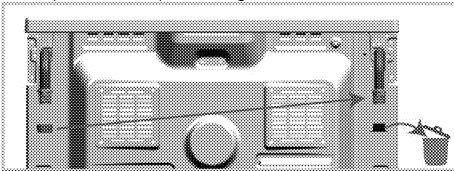


- 1 Gasschlauchauslass
- 2 Blindstopfen
- 3 Plastikstopfen

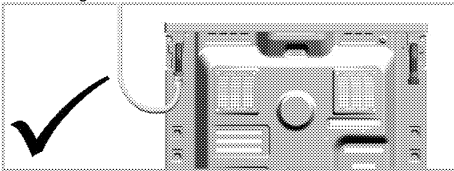
- Stellen Sie vor dem Gasanschluss sicher, dass sich das Erdgasventil und der mit dem Gas zu verbindende Gasschlauchauslass auf derselben Seite befinden.
- Wenn sich der Erdgasventil und der mit einem Kunststoffstopfen abgedichtete Gasschlauchauslass auf derselben Seite befinden, stellen Sie den Gasanschluss wie in der Abbildung unten gezeigt her.



- Wenn sich das Erdgasventil und der mit einem Blindstopfen abgedichtete Gasschlauchauslass auf derselben Seite befinden, entfernen und entsorgen Sie den Kunststoffstopfen. Nehmen Sie den Blindstopfen ab und schließen Sie den Gasschlauchausgang, an dem der Gasanschluss nicht vorgenommen wird, mit einer neuen (unbenutzten) Dichtung.



- Stellen Sie den Gasanschluss wie in der Abbildung unten gezeigt am Gasschlauchausgang in der Nähe des Erdgasventils her.



Brandgefahr:

Wenn Sie den Anschluss nicht gemäß den folgenden Anweisungen vornehmen, besteht die Gefahr von Gasleckagen und Bränden. **Unser Unternehmen kann für daraus resultierende Schäden nicht haftbar gemacht werden.**

- Der Gasanschluss darf nur durch den autorisierten Dienstleister durchgeführt werden.
- Der Gasanschluss des Geräts darf nur über den Gasschlauch in der Nähe des Erdgasventils erfolgen.
- Der Kunststoffstopfen ist zu entsorgen und der nicht zu verwendende Gasschlauchanschluss ist mit dem Blindstopfen abzudichten.
- Zum Abdichten des nicht benutzten Gasschlauchauslasses, der nicht mit dem Blindstopfen verwendet wird, muss unbedingt eine neue und unbenutzte Dichtung verwendet werden.



GEFAHR:

Der flexible Gasschlauch muss so angeschlossen werden, dass er die beweglichen Teile um ihn herum nicht berührt und nicht eingeklemmt wird, wenn sich die beweglichen Teile bewegen. (z.B. Schubladen). Außerdem sollte es nicht durch Bereiche geführt werden, in denen er eingequetscht werden könnte.



GEFAHR:

Die Gasleitung darf nicht eingeklemmt, geknickt oder gequetscht werden und darf nicht mit heißen Geräteteilen in Berührung kommen. Bei beschädigten Gasschläuchen besteht Explosionsgefahr.

Leckprüfung am Verbindungspunkt

- Achten Sie darauf, dass sämtliche Bedienelemente des Gerätes abgeschaltet sind. Stellen Sie sicher, dass die Gasversorgung offen ist. Bereiten Sie zur Gasleckprüfung etwas Seifenwasser vor und tragen Sie es großflächig auf den Verbindungsbereich auf.
- Bei einem Gasleck bilden sich Blasen. Überprüfen Sie in diesem Fall den Gasanschluss erneut.
- **Wenn Ihr Gerät über zwei Gasschlauchanschlüsse verfügt**, vergewissern Sie sich, dass der unbenutzte Gasausgang mit einem Blindstopfen verschlossen ist. Bereiten Sie zur Gasleckprüfung etwas Seifenwasser vor und tragen Sie es großflächig auf den Schraubbereich des Blindstopfens auf. Bei einem Gasleck bilden sich Blasen. Überprüfen Sie in diesem Fall die Blindstopfenmontage erneut.
- Anstelle von Seife können Sie auch handelsübliche Sprays zur Gasdichtheitsprüfung verwenden.



Suchen Sie niemals mit Streichhölzern oder anderen offenen Flammen nach Gaslecks.

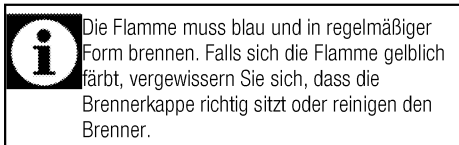
- Schieben Sie das Produkt an die Küchenwand.
- **Füße des Ofens anpassen**
Vibrationen während des Betriebs können das Kochgeschirr in Bewegung versetzen. Diese Gefahrensituation kann vermieden werden, wenn das Produkt ebenerdig steht. Achten Sie zu Ihrer eigenen Sicherheit darauf, dass das Produkt gerade steht, indem Sie die vier Füße an der Unterseite nach links oder

rechts drehen und dadurch die Ebenständigkeit der Arbeitsoberfläche anpassen.

4 Brenner

Endkontrolle

1. Öffnen Sie die Gaszufuhr.
2. Überprüfen Sie die Gasinstallationen auf korrekten Sitz und Dichtigkeit.
3. Entzünden Sie die Kochstellen und kontrollieren das Flammenbild.



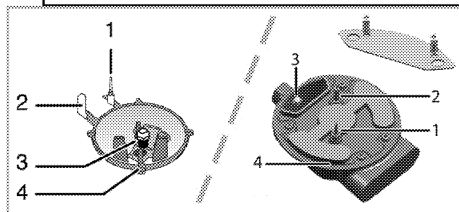
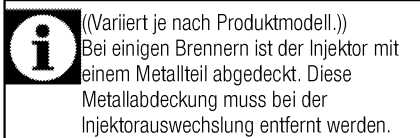
Gasumstellung



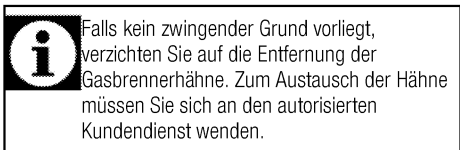
Zur Umstellung auf eine andere Gasart tauschen Sie sämtliche Injektoren und führen bei sämtlichen Ventilen eine Flammeneinstellung bei geringem Durchfluss durch.

Brennerinjektoren austauschen

1. Brennerdeckel und Brennerkörper abnehmen.
2. Injektoren durch Drehen gegen den Uhrzeigersinn lösen und entfernen.
3. Neue Injektoren einpassen.
4. Alle Verbindungen auf korrekten Sitz und Dichtigkeit überprüfen.



1. Flammenausfallschutz (je nach Modell)
2. Zündung
3. Injektor



Geringe Gashahn-Gasdurchflusseinstellung

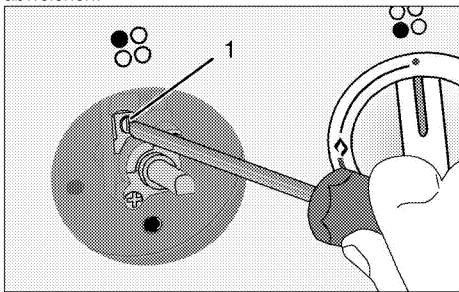
1. Zünden Sie den einzustellenden Brenner, drehen Sie den Bedienknopf auf eine geringe Einstellung.
2. Nehmen Sie den Knopf vom Gashahn ab.
3. Gasdurchflusseinstellschraube mit einem passenden Schraubendreher einstellen.

Bei Butan-/Propangas drehen Sie die Schraube im Uhrzeigersinn. Bei Erdgas sollten Sie die Schraube **gegen** den Uhrzeigersinn drehen.

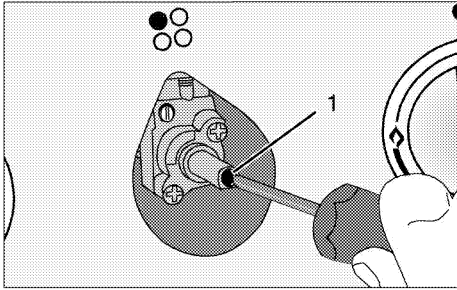
» Die reguläre Flammenhöhe bei reduziertem Durchfluss sollte bei 6 bis 7 mm liegen.

4. Bei höherer Flamme drehen Sie die Schraube im Uhrzeigersinn. Bei kleinerer Flamme drehen Sie gegen den Uhrzeigersinn.
5. Endkontrolle: Stellen Sie den Brenner sowohl auf hohe als auch auf geringe Flammenhöhe ein; die Flamme sollte nicht erlöschen.

Je nach Ausführung des Gasanschlusses Ihres Gerätes kann die Lage der Einstellschraube etwas abweichen.



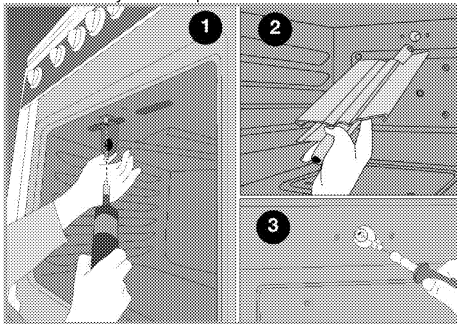
1 Gasdurchfluss-Einstellschraube



1 Gasdurchfluss-Einstellschraube

Grillinjektor austauschen

1. Fronttür öffnen.
2. Befestigungsschraube des Brenners herausdrehen.
3. Brenner herausnehmen.
4. Injektor durch Drehen gegen den Uhrzeigersinn lösen und entfernen.
5. Neuen Injektor einpassen.



Geringe Gasdurchflusseinstellung des Gasofens

Damit der Ofen ordnungsgemäß arbeiten kann, ist eine erneute Überprüfung des Nebenschlusses extrem wichtig. Damit es nicht zu Sicherheitsrisiken kommt, sollten diese Schritte mit größter Sorgfalt durchgeführt werden.

1. Zünden Sie den einzustellenden Brenner, drehen Sie den Bedienknopf in die höchste Position.
2. Schließen Sie die Ofentür, warten Sie 10 bis 15 Minuten ab; nun erst kann der Ofen richtig eingestellt werden.
3. Knopf abnehmen
4. Stellen Sie den Ofen nach Ablauf von 15 Minuten auf die geringste Flammenhöhe ein.
5. Stellen Sie die Flammenhöhe auf 2 bis 3 mm ein; nutzen Sie dazu die Schraube 1 am Ofenhahn. Drehen im Uhrzeigersinn verkleinert die Flamme, drehen gegen den Uhrzeigersinn vergrößert die Flamme.



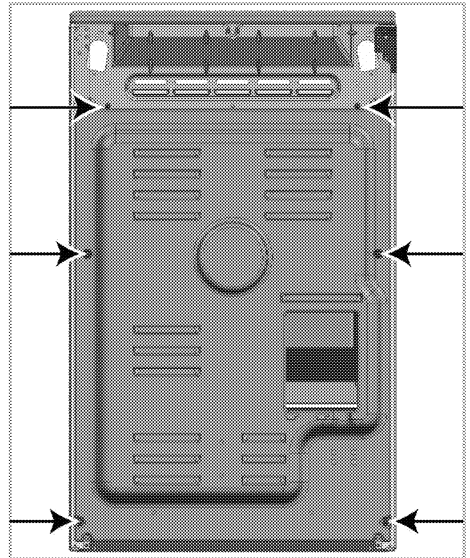
Wenn Gasströmungsgeschwindigkeit von Ofen kann nicht mit dem Entfernen Knopf eingestellt werden kann, entfernen Sie bitte die benötigten Ofenteile (Bedienfeld, Brennerplatte etc.) und dann die Gasströmungsgeschwindigkeit von Backofen-Set.



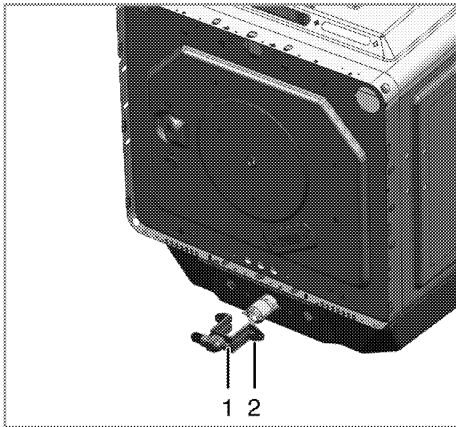
Falls die Ofentemperatur ohne erkennbaren Grund ansteigt, schalten Sie den Ofen ab und lassen das Ofenthermostat vom autorisierten Kundendienst reparieren.

Ofeninjektor austauschen

1. Befestigungsschrauben der Rückwand herausdrehen.

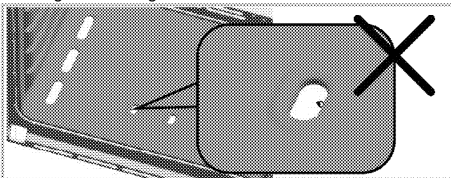


2. Zwei Schrauben (2) am Injektorhalter (1) lösen.

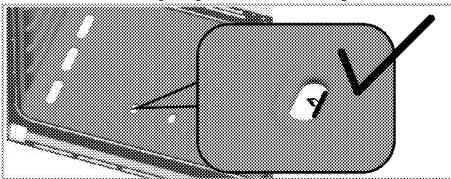


- 1 Injektorhalter
- 2 Schraube
3. Injektorhalter herausziehen.
4. Injektor durch Drehen gegen den Uhrzeigersinn lösen und entfernen.
5. Neuen Injektor einpassen.

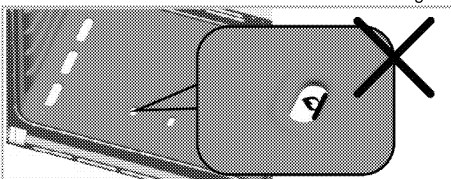
Stellen Sie die Flamme wie in folgender Abbildung gezeigt auf optimale Höhe ein; nutzen Sie dazu die Schraube 1 am Ofenhahn. Drehen im Uhrzeigersinn verkleinert die Flamme, Drehen gegen den Uhrzeigersinn vergrößert sie.



Falls die Flamme zu klein ist,
* ist die Ofentemperatur möglicherweise zu gering, was die Garleistung negativ beeinträchtigen kann.



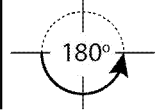
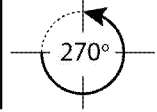
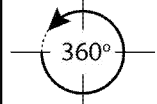
Die ideale Flammenhöhe liefert die beste Leistung.



Falls die Flamme zu groß ist,

* ist die Ofentemperatur möglicherweise zu hoch, was die Garleistung negativ beeinträchtigen kann.

- i** Tür nach Anpassung der Gasflamme wiederholt öffnen und schließen und sicherstellen, dass die Ofenflamme nicht erlischt.
- i** Falls die Gasart des Gerätes umgestellt wird, muss auch das Typenschild mit der Gasartangabe entsprechend geändert werden.

Erdgas auf Butan/Propan (LPG)	Butan/Propan (LPG) auf Erdgas (G20)
Ziehen Sie die Schraube durch Drehen im Uhrzeigersinn komplett bis zum Anschlag an.	Lösen Sie die Schraube 180° (circa)
	
Erdgas auf Butan/Propan (LPG)	Butan/Propan (LPG) auf Erdgas (G20)
Ziehen Sie die Schraube durch Drehen im Uhrzeigersinn komplett bis zum Anschlag an.	Lösen Sie die Schraube 270° (circa)
	
Erdgas auf Butan/Propan (LPG)	Butan/Propan (LPG) auf Erdgas (G2 350 örtliches Gas in Polen)
Ziehen Sie die Schraube durch Drehen im Uhrzeigersinn komplett bis zum Anschlag an.	Lösen Sie die Schraube 360° (circa)
	



Die richtige Einstellung des reduzierten Gasflusses kann je nach Gerät, Brenner und Gasart unterschiedlich ausfallen. Achten Sie darauf, dass die Flammenhöhe der obigen Abbildung entspricht.

Transport

- Bewahren Sie den Originalkarton auf, falls Sie das Gerät künftig transportieren müssen. Halten Sie sich an die Hinweise auf dem Karton. Falls Sie den Originalkarton nicht mehr besitzen sollten, verpacken Sie das Gerät in Luftpolsterfolie oder starken Karton, anschließend gut mit Klebeband sichern.
- Damit Gitterroste und Bleche nicht zu Beschädigungen der Ofentür führen, schützen Sie die Ofentür von innen mit einem passenden Stück Karton. Fixieren Sie die Ofentür mit Klebeband.

- Sichern Sie Einschübe, Geschirr und Auflagen mit Klebeband.
- Verwenden Sie die Tür/den Türgriff nicht zum Anheben oder Bewegen des Gerätes.



Legen Sie keine Gegenstände auf dem Gerät ab, bewegen Sie das Gerät grundsätzlich in aufrechter Position.



Überprüfen Sie das Gerät nach dem Transport genau, überzeugen Sie sich davon, dass es nicht zu Beschädigungen gekommen ist.

4 Vorbereitungen

Tipps zum Energiesparen

Mit den folgenden Hinweisen nutzen Sie Ihr Gerät umweltbewusst und energiesparend:

- Verwenden Sie am besten dunkles oder emailliertes Kochgeschirr – dies leitet die Wärme besser.
- Lassen Sie den Backofen vorheizen, wenn dies durch Bedienungs- oder Zubereitungsanleitung empfohlen wird.
- Verzichten Sie bei der Zubereitung auf häufiges Öffnen der Backofentür.
- Bereiten Sie mehrere Gerichte gleichzeitig zu, sofern dies möglich ist. Dazu stellen Sie einfach mehrere Behälter auf den Gitterrost.
- Größere Gerichte und solche, deren Geschmack sich nicht gegenseitig beeinflussen soll, bereiten Sie nacheinander zu. Der Backofen ist dann bereits vorgeheizt.
- Tauen Sie gefrorene Gerichte vor der Zubereitung auf.
- Kochen Sie mit Deckel. Beim Kochen ohne Deckel kann der Energieverbrauch auf das Vierfache ansteigen.
- Wählen Sie stets die zum Bodendurchmesser des Kochgeschirrs passende Kochstelle. Entscheiden Sie sich immer für Kochgeschirr in der passenden Größe. Größeres Kochgeschirr verbraucht mehr Energie.

Erste Inbetriebnahme

Erstreinigung des Gerätes



Durch bestimmte Reinigungsmittel können die Oberflächen des Gerätes beschädigt werden. Verwenden Sie keine aggressiven Reinigungsmittel, keine Scheuermittel und keine scharfen oder spitzen Gegenstände bei der Reinigung.

1. Entfernen Sie sämtliches Verpackungsmaterial.
2. Geräteoberflächen mit einem feuchten Tuch oder Schwamm abwischen und mit einem Tuch trocknen.

Erstaufheizung

Lassen Sie das Gerät etwa 30 Minuten lang aufheizen, schalten Sie es anschließend ab. Auf diese Weise werden sämtliche Rückstände und Beschichtungen entfernt.



WARNUNG

Verbrennungsgefahr durch heiße Flächen! Das Gerät kann sich im Betrieb stark aufheizen. Berühren Sie niemals heiße Brenner, das Innere des Backofens, Heizelemente und so weiter. Halten Sie Kinder fern.
Tragen Sie grundsätzlich hitzebeständige Schutzhandschuhe, wenn Sie etwas in den Backofen stellen oder herausnehmen.

Gasbackofen

1. Nehmen Sie sämtliches Zubehör (z. B. Backbleche und Gitterrost) aus dem Backofen heraus.
2. Schließen Sie die Backofentür.
3. Gasbackofen auf die größte Flamme einstellen; siehe "*Gasbackofen bedienen, Seite 25*".
4. Lassen Sie den Backofen etwa 30 Minuten lang heizen.
5. Schalten Sie den Backofen ab; siehe "*Gasbackofen bedienen, Seite 25*".

Grill-Funktion

1. Nehmen Sie sämtliches Zubehör (z. B. Backbleche und Gitterrost) aus dem Backofen heraus.
2. Schließen Sie die Backofentür.
3. Grillofen auf die größte Flamme einstellen; siehe "*Gasgrill bedienen, Seite 26*".
4. Lassen Sie den Grill etwa 30 Minuten lang heizen.



Bei der ersten Inbetriebnahme kann es über mehrere Stunden zu Rauch- und Geruchsentwicklung kommen. Dies ist völlig normal. Lüften Sie den Raum gut durch, damit Rauch und Gerüche schnell abziehen können. Atmen Sie die Dämpfe möglichst nicht ein.

5 Bedienung Kochfeld

Allgemeine Hinweise zum Kochen



Füllen Sie Kochgeschirr maximal bis zu einem Drittel mit Öl. Lassen Sie das Kochfeld niemals unbeaufsichtigt, wenn Sie mit heißem Öl arbeiten. Überhitzte Öle und Fette können Brände verursachen. **Versuchen Sie niemals, Fettbrände mit Wasser zu löschen!** Falls Öle oder Fette Feuer fangen, ersticken Sie die Flammen mit einer Löschdecke, notfalls mit einem leicht feuchten Tuch. Trennen Sie den Herd von der Stromversorgung, falls dies gefahrlos möglich ist. Rufen Sie die Feuerwehr.

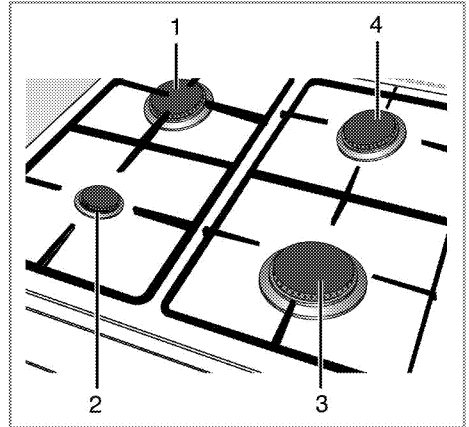
- Vor dem Frittieren trocknen Sie die Lebensmittel gründlich und lassen sie langsam in das heiße Öl hinab. Achten Sie darauf, dass gefrorene Lebensmittel vor dem Frittieren restlos aufgetaut sind.
- Decken Sie das Kochgeschirr beim Frittieren nicht ab.
- Platzieren Sie das Kochgeschirr so auf dem Kochfeld, dass dessen Griffe oder Stiele nicht von anderen Kochstellen erhitzt werden. Stellen Sie keine Behälter auf das Kochfeld, die zum Kippen neigen.
- Stellen Sie kein leeres Kochgeschirr auf eingeschaltete Kochzonen. Es kann zu Beschädigungen kommen.
- Wenn Sie eine Kochzone verwenden, ohne Kochgeschirr darauf zu platzieren, verursacht dies Schäden am Gerät. Schalten Sie die Kochzonen nach dem Gebrauch aus.
- Da sich die Oberfläche des Gerätes erhitzt, legen Sie niemals Gegenstände aus Kunststoff oder Aluminium darauf ab.
- Übrigens sollten Lebensmittel grundsätzlich nicht in solchen Gefäßen gelagert werden.
- Verwenden Sie ausschließlich Kochgeschirr mit flachem Boden.
- Geben Sie die richtige Menge an Lebensmitteln in das jeweilige Kochgeschirr; nicht überfüllen. Dadurch ersparen Sie sich unnötige Reinigungsarbeit durch überlaufende Speisen. Legen Sie die Deckel des Kochgeschirrs nicht auf den Kochzonen ab.

Stellen Sie Kochgeschirr so auf das Kochfeld, dass es exakt in der Mitte der Kochzone steht. Wenn Sie Kochgeschirr von einer Kochzone zur nächsten bewegen möchten, heben Sie das Kochgeschirr an, anstatt es über das Kochfeld zu schieben, da es ansonsten zu Schäden der Glaskeramik kommt.

Mit Gas kochen

- Die Größe von Kochgeschirr und Flamme müssen übereinstimmen. Stellen Sie die Gasflammen so ein, dass sie nicht über den Boden des Kochgeschirrs hinausschlagen; stellen Sie das Kochgeschirr mittig auf den Träger.

Kochfeld verwenden



- 1 Normalbrenner 18-20 cm
- 2 Nebenbrenner 12-16 cm
- 3 Schnellbrenner 20-22 cm
- 4 Normalbrenner 18-20 cm ist eine Liste mit für die jeweiligen Brenner empfohlenen Geschirrdurchmessern.



WARNUNG

Verwenden Sie kein Kochgeschirr jenseits der obigen Abmessungsgrenzen. Der Einsatz größeren Kochgeschirrs birgt die Gefahr einer Kohlenmonoxidvergiftung sowie einer Überhitzung benachbarter Flächen und Bedienelemente. Kleineres Kochgeschirr birgt das Risiko von Verbrennungen durch die Flamme.

Das große Flammensymbol zeigt die höchste, das kleine Flammensymbol zeigt die geringste Leistungsstufe an. In der Aus-Position (oben) werden die Brenner nicht mit Gas versorgt.

Gasbrenner zünden

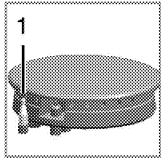
Die Brenner werden nicht automatisch gezündet. Verwenden Sie ein Feuerzeug oder Streichholz.

1. Halten Sie den Knopf des Brenners gedrückt.
2. Drehen Sie ihn gegen den Uhrzeigersinn auf das große Flammensymbol.
3. Zünden Sie den Brenner mit einem Feuerzeug oder Streichholz.
4. Passen Sie die Leistungsstufe wie gewünscht an.

Gasbrenner abschalten

Drehen Sie den Regler der Warmhaltezone in die Aus-Position (oben).


Sicherheitssystem zur Gasabschaltung (bei Modellen mit Thermokomponente)



1. Sichere Gasabschaltung

Falls Flüssigkeiten überkochen und die Gasflamme zum Erlöschen bringen, greift ein Sicherheitsmechanismus ein und sperrt die Gaszufuhr.

- Drücken Sie den Regler hinein; drehen Sie ihn zum Zünden gegen den Uhrzeigersinn.
- Halten Sie den Regler nach dem Entzünden des Gases noch weitere 3 – 5 Sekunden lang gedrückt; andernfalls schaltet sich der Brenner aus Sicherheitsgründen wieder ab.
- Falls sich das Gas nach Betätigung des Reglers nicht entzündet, wiederholen Sie das Verfahren, indem Sie den Regler weitere 15 Sekunden lang gedrückt halten.

	GEFAHR: Lassen Sie die Taste los, falls der Brenner nicht innerhalb 15 Sekunden zündet. Warten Sie mindestens eine Minute ab, bevor Sie es erneut versuchen. Es besteht Explosionsgefahr durch Gasansammlungen!
---	---

6 Bedienung des Backofens

Allgemeine Hinweise zum Backen, Braten und Grillen



WARNUNG

Verbrennungsgefahr durch heiße Flächen! Das Gerät kann sich im Betrieb stark aufheizen. Berühren Sie niemals heiße Brenner, das Innere des Backofens, Heizelemente und so weiter. Halten Sie Kinder fern.

Tragen Sie grundsätzlich hitzebeständige Schutzhandschuhe, wenn Sie etwas in den Backofen stellen oder herausnehmen.



GEFAHR:

Öffnen Sie die Backofentür vorsichtig: Heißer Dampf kann austreten. Der austretende Dampf kann zu Verbrühungen von Händen, Gesicht und Augen führen.

Tipps zum Backen

- Benutzen Sie Metallgeschirr mit Antihafbeschichtung oder hitzebeständige Silikonformen.
- Nutzen Sie den Platz auf dem Gitterrost gut aus.
- Stellen Sie Backformen in die Mitte des Gitterrostes.
- Wählen Sie die richtige Einschubposition, bevor Sie Backofen oder Grill einschalten. Wechseln Sie die Einschubposition nicht, solange der Backofen heiß ist.
- Halten Sie die Backofentür geschlossen.

Tipps zum Rösten

- Eine Würzmischung aus Zitronensaft und schwarzem Pfeffer sorgt für eine besonders schmackhafte Zubereitung von ganzen Hühnern, Puten und größeren Fleischportionen.
- Fleisch mit Knochen braucht etwa 15 – 30 Minuten länger zum Garen als dieselbe Menge Fleisch ohne Knochen.
- Jeder Zentimeter an Fleischdicke braucht etwa 4 – 5 Minuten mehr an Garzeit.
- Lassen Sie Fleisch nach Ablauf der Garzeit noch etwa 10 Minuten im Backofen ruhen. Der Fleischsaft verteilt sich so gleichmäßiger im Braten und läuft beim Anschneiden nicht aus.
- Fisch stellen Sie auf einem hitzebeständigem Teller möglichst in der mittleren oder unteren Einschubposition in den Backofen.

Tipps zum Grillen

Fleisch, Geflügel und Fisch werden durch das Grillen schnell braun, bekommen eine schöne Kruste und

trocknen dabei nicht aus. Insbesondere flache Stücke, Fleischspieße und Würstchen sowie Gemüse mit hohem Wasseranteil (wie Tomaten oder Zwiebeln) sind zum Grillen gut geeignet.

- Verteilen Sie das Grillgut so auf dem Gitterrost, dass es nicht über die Kanten des Gitterrostes hinausragt.
- Schieben Sie den Gitterrost (mit darunter eingeschobener Tropfschale) in die richtige Einschubposition. Vergessen Sie nicht, die Tropfschale beim Grillen in den untersten Einschub einzuschieben, damit das Fett aufgefangen wird. Geben Sie etwas Wasser in die Tropfschale – so wird die Reinigung einfacher.

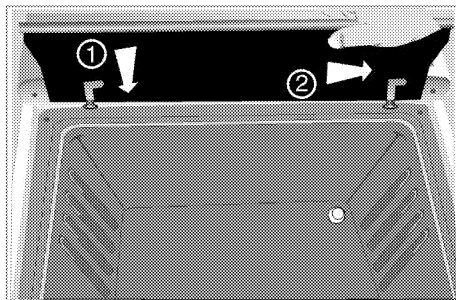


Lebensmittel, die nicht zum Grillen geeignet sind, können sich im schlimmsten Fall entzünden. Grillen Sie nur Lebensmittel, die bei der starken Hitze beim Grillen keinen Schaden nehmen. Platzieren Sie das Grillgut nicht nahe der Backofenrückwand. Dort wird es besonders heiß, fettes Grillgut kann in Brand geraten.

Installieren Sie die Knopfschutzplatte.

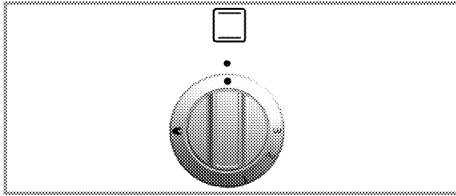
Die Knopfschutzplatte wird zum Grillen mit geöffneter Backofentür verwendet. Schützt Bedienfeld und andere Bedienelemente vor Hitze und Verschmutzung.

1. Öffnen Sie die Backofentür und stecken die Knopfschutzplatte auf die Stifte unter dem Bedienfeld.



» Wenn die Knopfschutzplatte installiert ist, bleibt die Backofentür geöffnet.

Gasbackofen bedienen



Der Gasbackofen wird mit dem Gasbackofen-Regler bedient. In der Aus-Position (oben) ist die Gaszufuhr unterbrochen.

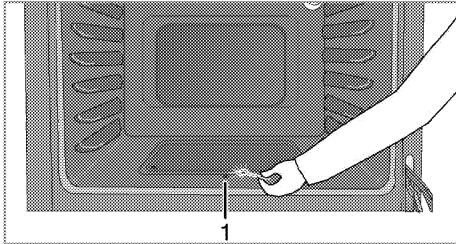
Gasbackofen einschalten

The gas oven is ignited with a gas lighter.

1. Ofentür öffnen.
2. Gasbackofen-Regler gedrückt halten und **gegen** den Uhrzeigersinn drehen.
3. Gas mit Gaszündler durch die Zündkontrollöffnung zünden.
4. Halten Sie den Brennerregler weitere 3 bis 5 Sekunden gedrückt.

» Achten Sie darauf, dass das Gas entzündet und eine Flamme zu sehen ist.

5. Halten Sie den Brennerregler weitere 3 bis 5 Sekunden gedrückt.
6. Wählen Sie die gewünschte Backleistung / Gasmarkierung.



1 Zündkontrollöffnung



GEFAHR:

Es besteht Explosionsgefahr durch konzentriertes Gas!
Versuchen Sie nicht, das Gas länger als 15 Sekunden zu zünden. Falls der Brenner nicht innerhalb 15 Sekunden zünden sollte, stellen Sie den Knopf ab und warten mindestens eine Minute. Durchlüften Sie den Raum, bevor Sie den Brenner erneut zünden. Es besteht Explosionsgefahr durch konzentriertes Gas!

Gasbackofen ausschalten

1. Drehen Sie den Gasbackofen-Regler in die Aus-Position (oben).

Die Gaskochstufen bedeuten:

Gasstufe	1	2	3
°C			

Garzeitentabelle



Der erste Einschub ist der **untere** Einschub.



Maximale Tragkraft des Backbleches: 4 kg (8.8 lb).



Die Zeitangaben in dieser Tabelle sollen als Richtwerte dienen. Zeitangaben können aufgrund von Temperatur, Dicke, Typ der Lebensmittel und Ihren eigenen Vorlieben abweichen.

Stellen Sie die Gerichte auf Backpapier, damit überlaufende Flüssigkeiten nicht auf den Boden des Ofens gelangen und der Ofen sauber bleibt.

Backen und Braten

Speise	Zu verwendendes Zubehör	Vorheizen *	Einschubebene	Reglerstellung	Garzeit
Apfelkuchen	Rundes schwarzes Metallgeschirr mit einem Durchmesser von 20 cm auf Rost***	10 Minute	4...5	1	25...30 Minute
Obsttorte	Rundes schwarzes Metallgeschirr mit einem Durchmesser von 20 cm auf Rost***	10 Minute	4...5	1	25...35 Minute
Kuchen	Rundes schwarzes Metallgeschirr mit einem Durchmesser von 20 cm auf Rost***	10 Minute	3...4	1	30...40 Minute
Kekse	Backblech**	10 Minute	4...5	1	25...35 Minute
Feingebäck	Backblech**	10 Minute	5	1	35...45 Minute
Kuchen	Kuchenform auf Rost***	10 Minute	3	1	30...40 Minute
Biskuits	Backblech**	—	4...5	1	20...30 Minute

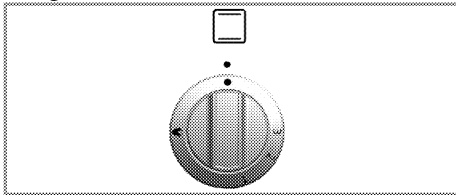
Lammbraten	Backblech**	10 Minute	4..5	1	35..45 Minutepro 450 g + 30 Minute
Roastbeef	Backblech**	10 Minute	2	1	50..60 Minutepro 450 g + 30 Minute
Pute	Backblech**	10 Minute	3..4	1	50..60 Minutepro 450 g + 30 Minute
Geflügel	Backblech**	10 Minute	3..4	1	30..40 Minutepro 450 g + 25 Minute
Kasserolle	Backblech**	—	4	1	90..120 Minute [§]
Fisch	Backblech**	10 Minute	3	1	35..45 Minute
Maccaroni	Backblech**	10 Minute	3..4	1	35..40 Minute
Victoria-Sandwich	Backblech**	10 Minute	3	1	22..28 Minute

* bei Reglerstellung 2 / [§] je nach Menge / [§] je nach Größe

** Dieses Zubehör wird möglicherweise nicht mit dem Produkt geliefert.

*** Dieses Zubehör wird nicht mit dem Produkt geliefert. Handelsübliches Zubehör.

Gasgrill bedienen



Der Grill wird mit dem Grill-Regler bedient. In der Aus-Position (oben) wird das Gerät nicht mit Gas versorgt. Die Ofentür muss während des Grillens offen bleiben.



WARNUNG

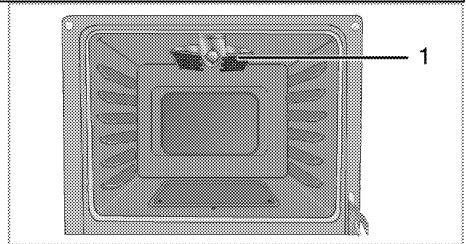
Verbrennungsgefahr durch heiße Flächen!
Halten Sie Kinder vom Gerät fern.

Öffnen Sie die Backofentür nur einen Spalt weit, damit Sie nicht von heißen Spritzern erreicht werden.

Grill einschalten

Der Gasgrill wird mit einem Gasanzünder oder Streichholz entzündet.

1. Öffnen Sie die Ofentür.
2. Halten Sie den Knopf gedrückt und drehen ihn im **Uhrzeigersinn** auf das Grillsymbol.
3. Entzünden Sie das Gas direkt, indem Sie einen Gasanzünder oder ein Streichholz in die Nähe des Grillbrenners halten.
4. Halten Sie den Knopf weitere 3 bis 5 Sekunden gedrückt.



1 Grillbrenner



GEFAHR:

Es besteht Explosionsgefahr durch konzentriertes Gas!

Versuchen Sie nicht, das Gas länger als 15 Sekunden zu zünden. Falls der Brenner nicht innerhalb 15 Sekunden zünden sollte, stellen Sie den Knopf ab und warten mindestens eine Minute. Durchlüften Sie den Raum, bevor Sie den Brenner erneut zünden. Es besteht Explosionsgefahr durch konzentriertes Gas!

Grill ausschalten

1. Drehen Sie den Grill-Regler in die Aus-Position (oben).



Lebensmittel, die nicht zum Grillen geeignet sind, können sich im schlimmsten Fall entzünden. Grillen Sie nur Lebensmittel, die bei der starken Hitze beim Grillen keinen Schaden nehmen.

Platzieren Sie das Grillgut nicht nahe der Backofenrückwand. Dort wird es besonders heiß, fettes Grillgut kann in Brand geraten.

Gartabelle



Die Zeitangaben in dieser Tabelle sollen als Richtwerte dienen. Zeitangaben können aufgrund von Temperatur, Dicke, Typ der Lebensmittel und Ihren eigenen Vorlieben abweichen.



Der erste Einschub ist der **untere** Einschub.

Grillen mit dem Gasgrill

Speise	Vorbereitung/Einstellung	Grilldauer [#]
Belegte Toasts überbacken	3...10 Min.
Kleine Fleischstücke, Würstchen, Schinkenspeck etc.	15...20 Min.
Koteletts, Kassler, Hähnchenteile etc.	Hähnchen mit Grillrost in umgedrehter Stellung grillen.	20...25 Min.
Ganze Fische, Fischfilets, Fischstäbchen	Ganze Fische und Fischfilets in die Grillpfanne legen.	10...20 Min.
Panierter Fisch	15...20 Min.
Vorgegarte Kartoffelgerichte	15...20 Min.
Pizza	Pizza in die Grillpfanne legen.	12...15 Min.
Tellergerichte grillen/braunen	Teller direkt auf den Boden des Grills stellen.	8...10 Min.

[#] Je nach Größe bzw. Dicke

7 Reinigung und Wartung

Allgemeine Hinweise

Durch regelmäßiges Reinigen verlängern Sie die Lebenserwartung Ihres Gerätes und beugen Fehlfunktionen vor.



GEFAHR:

Trennen Sie das Gerät von der Stromversorgung, bevor Sie es reinigen. Es besteht Stromschlaggefahr!



GEFAHR:

Lassen Sie das Gerät vor dem Reinigen gründlich abkühlen. Verbrennungsgefahr durch heiße Flächen!

- Reinigen Sie das Gerät nach jedem Gebrauch gründlich. Dadurch lassen sich Speisereste leichter entfernen und können beim nächsten Einsatz des Gerätes nicht einbrennen.
- Zur Reinigung benötigen Sie keine Spezialreiniger. Verwenden Sie am besten warmes Wasser mit etwas herkömmlichem Reiniger, ein weiches Tuch oder einen Schwamm. Anschließend mit einem Tuch trocknen.
- Achten Sie stets darauf, überschüssige und verschüttete Flüssigkeiten nach der Reinigung gründlich ab- bzw. aufzuwischen.
- Wenn Sie Edelstahl und Griffe reinigen verzichten Sie auf Reinigungsmittel, die Säuren oder Chlor enthalten. Reinigen Sie diese Teile mit einem weichen Tuch und etwas Flüssigreiner (kein Scheuermittel); wischen Sie dabei am besten nur in eine Richtung.
- **(Dieses Merkmal ist optional. Es ist bei Ihrem Modell möglicherweise nicht vorhanden.)** Reinigen Sie die Glasabdeckung nicht mit Metallschabern oder aggressiven Reinigern. Andernfalls kann die Glasoberfläche beschädigt werden.



Durch bestimmte Reinigungsmittel können die Oberflächen des Gerätes beschädigt werden. Verwenden Sie keine aggressiven Reinigungsmittel, keine Scheuermittel und keine scharfen oder spitzen Gegenstände bei der Reinigung.



Nutzen Sie keine Dampfreiniger zur Reinigung des Gerätes – es besteht Stromschlaggefahr.

Kochfeld reinigen

Brenner reinigen

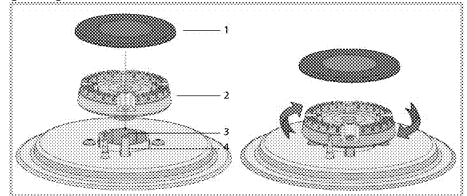
1. Entfernen Sie die Träger vom Kochfeld.
2. Entfernen Sie alle abnehmbaren Teile des Brenners und reinigen sie ausschließlich von Hand mit einem Schwamm, etwas Reinigungsmittel und heißem Wasser.
3. Reinigen Sie die nicht abnehmbaren Teile des Brenners mit einem feuchten Tuch.
4. Reinigen Sie Stopfen und Thermoelement (bei Modellen mit Zündung und Thermoelement) mit einem leicht angefeuchteten Tuch. Anschließend mit einem sauberen Tuch abtrocknen. Stellen Sie sicher, dass Flammenlöcher und Stopfen vollständig trocken sind.

Andernfalls wird kein Funken am Ende der Zündung erzeugt.

5. Achten Sie bei der Anbringung der oberen Roste darauf, die Träger so zu platzieren, dass sich die Brenner exakt in der Mitte befinden.

Zusammenbau der Brenner Teile

Setzen Sie die Teile nach dem Reinigen wie unten gezeigt wieder zusammen.



- 1 Brennerkappe
- 2 Brennerkopf
- 3 Brennerkammer
- 4 Zünder (bei Geräten mit Zündung)

1. Platzieren Sie den Brennerkopf so, dass er den Zünder (4) durchläuft. Drehen Sie den Brennerkopf leicht nach rechts und links, um sicherzustellen, dass er korrekt in der Brennkammer sitzt.
2. Setzen Sie die Brennerkappe auf den Brennerkopf auf.

Bedienfeld reinigen

Reinigen Sie Bedienfeld und Knöpfe mit einem feuchten Tuch; anschließend trocken reiben.



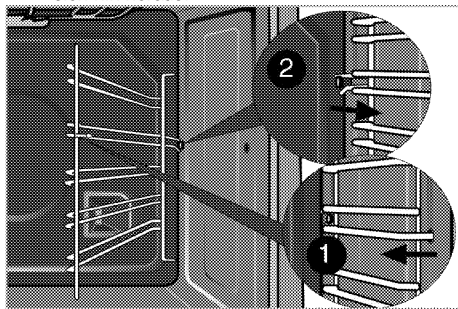
Falls Ihr Produkt mit mechanischen Tasten oder Knöpfen ausgestattet ist, ziehen Sie die diese zum Reinigen des Bedienfelds nicht ab. Das Bedienfeld kann beschädigt werden!

Backofen reinigen

So reinigen Sie die Seitenwand (Variiert je nach Produktmodell.)

(Dieses Merkmal ist optional. Es ist bei Ihrem Modell möglicherweise nicht vorhanden.)

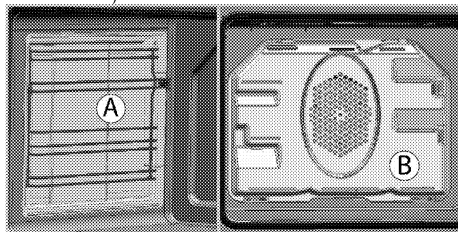
1. Lösen Sie den vorderen Bereich der seitlichen Halterungen, indem Sie diese von der Seitenwand wegziehen.
2. Ziehen Sie die seitliche Halterung komplett zu sich hin heraus.



Katalytische Seitenwände

(Dieses Merkmal ist optional. Es ist bei Ihrem Modell möglicherweise nicht vorhanden.)

Seitenwände (A) und/oder Rückwand (B) Ihres Produktes können mit katalytischer Emaille beschichtet sein. Die katalytischen Wände haben eine helle matte Farbe und eine poröse Oberfläche. Die katalytischen Seitenwände des Backofens sollten nicht gereinigt werden. Die poröse Oberfläche der katalytischen Wände reinigt sich durch Absorbierung und Umwandlung von Rückständen (Dampf und Kohlendioxid) von selbst.

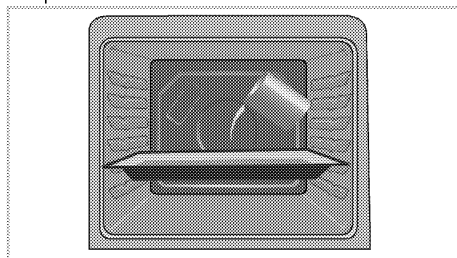


SimpleSteam Reinigung

Diese Funktion gewährleistet eine einfache Reinigung, da Schmutz (der durch langes Warten eingetrocknet ist) mit dem im Inneren des Backofens entstehenden

Dampf und den an den Innenflächen des Backofens kondensierenden Wassertropfen aufgeweicht wird.

1. Entfernen Sie sämtliches Zubehör aus dem Garraum.
2. Gießen Sie 300 ml Wasser in das Blech und platzieren Sie es im 2. Einschub des Ofens.



3. Stellen Sie den Backofen auf einfache Dampfreinigung ein, lassen Sie ihn bei 100 °C 25 Minuten laufen.
4. Öffnen Sie die Tür, wischen Sie die Innenflächen des Backofens mit einem feuchten Schwamm oder Tuch ab.
5. Verwenden Sie zum Entfernen von hartnäckigem Schmutz am besten warmes Wasser mit etwas herkömmlichem Reiniger, ein weiches Tuch oder einen Schwamm und ein Tuch zum Trockenreiben.



Während des Dampfreinigungsmodus verdampft Wasser, das zum Aufweichen von Verschmutzungen und Verkrustungen im Garraum auf das Blech gegeben wurde. Dadurch entsteht eine beabsichtigte Kondensation im Garraum und am Innenglas der Ofentür und kann Wasser heruntertropfen, wenn Sie die Ofentür öffnen. Wischen Sie den Ofen nach Öffnen der Tür gründlich trocken.

Backofentür reinigen

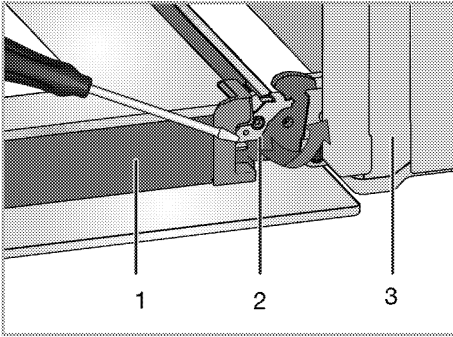
Verwenden Sie zum Reinigen der Backofentür am besten warmes Wasser mit etwas herkömmlichem Reiniger, ein weiches Tuch oder einen Schwamm. Anschließend mit einem Tuch trocknen.



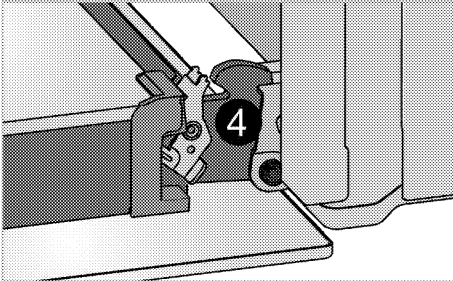
Verzichten Sie bei der Reinigung der Backofentür auf aggressive Reinigungsmittel und auf scharfkantige Schaber aus Metall. Solche Hilfsmittel können die Oberflächen zerkratzen und das Glas beschädigen.

Backofentür ausbauen

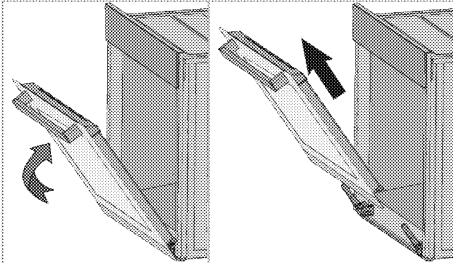
1. Öffnen Sie die Backofentür (1).
2. Öffnen Sie die Clips am Scharniergehäuse links und rechts der Backofentür, indem Sie diese wie in der Abbildung gezeigt nach unten drücken.



- 1 Tür
- 2 Scharniersperre (geschlossene Position)
- 3 Ofen
- 4 Scharniersperre(geöffnete Position)



- 3. Öffnen Sie die Backofentür zur Hälfte.



- 4. Nehmen Sie die Ofentür heraus, indem Sie diese etwas anheben und von den Scharnieren rechts und links lösen.



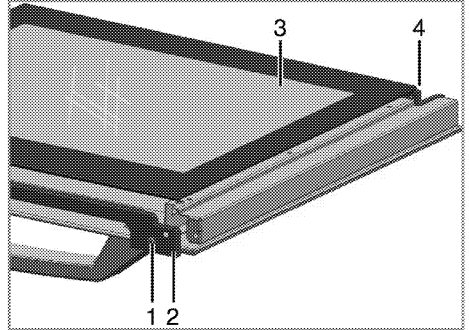
Zum Einbau führen Sie die obigen Schritte wieder in umgekehrter Reihenfolge aus. Vergessen Sie nicht, die Clips am Scharniergehäuse nach dem Wiedereinsetzen der Tür wieder zu schließen.

Türinnenscheibe ausbauen

(Dieses Merkmal ist optional. Es ist bei Ihrem Modell möglicherweise nicht vorhanden.)

Die Türinnenscheibe kann zur Reinigung ausgebaut werden.

- 1. Öffnen Sie die Backofentür.



- 1 Schraube
 - 2 Profil
 - 3 Innenscheibe
 - 4 Kunststoffschlitz
- 2. Lösen Sie die Schraube (1) mit einem Schraubendreher.
 - 3. Nehmen Sie das Profil (2) heraus, legen Sie es dann an das Innenglas (3) an.
 - 4. Anschließend ordnen Sie die Tür wieder an, setzen das Innenglas (3) in die Kunststoffschlitze (4) ein und ordnen das Profil an.

8 Problemlösungen

Aus dem Backofen tritt im Betrieb Dampf aus.

- Während des Betriebs ist ein Dampfaustritt normal. >>> *Dies ist kein Fehler.*

Beim Aufheizen und Abkühlen sind metallische Geräusche zu hören.

- Wenn sich die Temperatur von Metallteilen ändert, dehnen sich diese aus oder ziehen sich zusammen – dabei entstehen Geräusche. >>> *Dies ist kein Fehler.*

Es entsteht kein Zündfunke.

- Kein Strom. >>> *Sicherungen im Sicherungskasten kontrollieren.*

Es gibt kein Gas.

- Der Hauptgashahn ist geschlossen. >>> *Öffnen Sie den Gashahn.*
- Der Gasanschluss ist verbogen. >>> *Installieren Sie den Gasanschluss richtig.*

Die Brenner brennen nicht bzw. nicht richtig.

- Brenner sind verschmutzt. >>> *Reinigen Sie die Brennerkomponenten.*
- Die Brenner sind feucht. >>> *Trocknen Sie die Brennerkomponenten.*
- Die Brennerkappe ist nicht sicher angebracht. >>> *Bringen Sie die Brennerkappe richtig an.*
- Der Gashahn ist geschlossen. >>> *Öffnen Sie den Gashahn.*
- Die Gasflasche ist leer (beim Einsatz von Butangas). >>> *Tauschen Sie die Gasflasche aus.*



Falls sich ein Problem nicht mit den obigen Hinweisen lösen lassen sollte, wenden Sie sich bitte an den autorisierten Kundendienst oder an den Händler, bei dem Sie das Gerät gekauft haben. Versuchen Sie niemals, ein defektes Gerät selbst zu reparieren.

