

Refrigerator

User manual



RCNT340I50VZS
RCNT415E50VZDX
RCNT415E50VZGW
RCNT375E50VZGW
RCNT340E50VZWB

EN | TH |

beko

Please read this user manual first!

Dear Customer,

We hope that your product, which has been produced in modern plants and checked under the most meticulous quality control procedures, will provide you an effective service.

Therefore, read this entire user manual carefully before using the product and keep it as a reference. If you handover the product to someone else, give the user manual as well.

The user manual will help you use the product in a fast and safe way.

- Read the manual before installing and operating the product.
- Make sure you read the safety instructions.
- Keep the manual in an easily accessible place as you may need it later.
- Read the other documents given with the product.

Remember that this user manual is also applicable for several other models. Differences between models will be identified in the manual.

Explanation of symbols

Throughout this user manual the following symbols are used:



Important information or useful tips.



Warning against dangerous conditions for life and property.

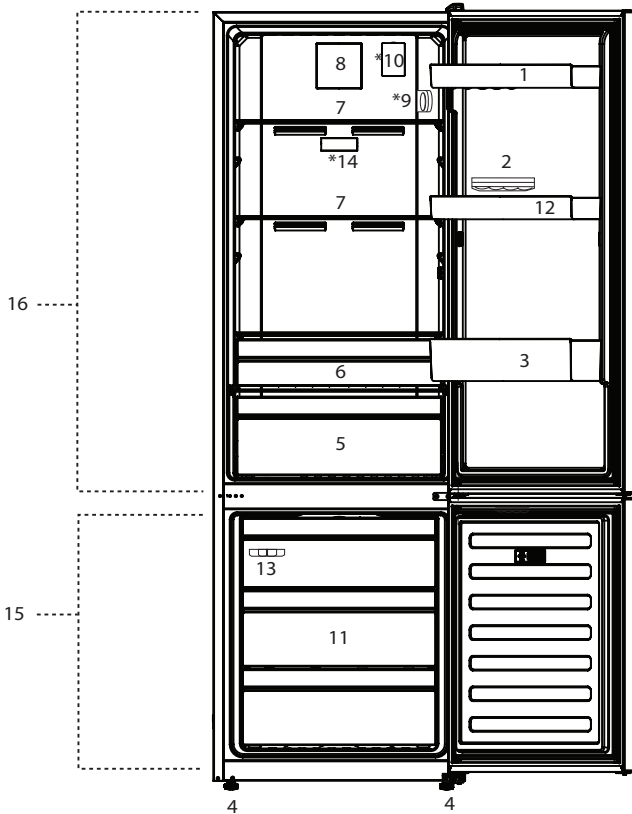


Warning against electric voltage.

CONTENTS

1 Your Refrigerator	3	5 Using your refrigerator	16
2 Important Safety Warnings	4	Indicator panel.....	16
Intended use	4	Freezing fresh food	21
General safety	4	Recommendations for preservation of frozen food	21
For products with a	8	Placing the food	21
water dispenser;	8	Making ice	22
Child safety	9	Deep-freeze information	22
Compliance with WEEE Directive and Disposing of the Waste Product:	9	Twist Ice – matic	23
Package information	9	Ice container	23
HC warning	9	Fan	24
Things to be done for energy saving	10	Crisper	24
Recommendations for the fresh food compartment.....	10	Chiller compartment	24
3 Installation	11	Description and cleaning of odour filter:	25
Points to be paid attention to when the relocation of the refrigerator	11	Reversing the door	26
Electrical connection	11	6 Maintenance and cleaning	27
Disposing of the packaging	12	Protection of plastic surfaces	27
Disposing of your old refrigerator	12	7 Troubleshooting	28
Placing and Installation	12		
Adjusting the legs	13		
Door Open Warning	13		
Changing the illumination lamp	13		
4 Preparation	15		

1 Your Refrigerator



- | | | | |
|----|----------------------------|-----|----------------------|
| 1. | Door shelf | 10. | Ion Guard |
| 2. | Egg section | 11. | Freezer Crisper |
| 3. | Bottle shelf | 12. | Moveing door shelf |
| 4. | Adjustable feet | 13. | Ice box / Ice-making |
| 5. | Fridge crisper | 14. | Air Filter |
| 6. | Chiller compartment | 15. | Freezer compartment |
| 7. | Glass Shelf | 16. | Fridge compartment |
| 8. | Fan | | |
| 9. | Temperature setting button | | *optional |

Figures that take place in this instruction manual are schematic and may not correspond exactly with your product. If the subject parts are not included in the product you have purchased, then it is valid for other models.

2 Important Safety Warnings

- Keep ventilation openings, in the appliance enclosure or in the built-in structure, clear of obstruction
- Do not use electrical appliances inside the food appliance, unless they are of the type storage compartments of the appliance, unless they are of the type recommended by the manufacturer
- this appliance can be used by children aged from 8 years and above and persons with reduced physical, sensory or mental capabilities or lack of experience and knowledge if they have been given supervision or instruction concerning use of the appliance in a safe way and understand the hazards involved.
- children shall not play with the appliance
- Cleaning and user maintenance shall not be made by children without supervision

Please review the following information.

Failure to observe this information may cause injuries or material damage. Otherwise, all warranty and reliability commitments will become invalid.

The service life of your product is 10 years. During this period, original spare parts will be available to operate the product properly.

Intended use

This product is intended to be used

- indoors and in closed areas such as homes;
- in closed working environments such as stores and offices;
- in closed accommodation areas such as farm houses, hotels, pensions.
- It should not be used outdoors.

General safety

- When you want to dispose/scrap the

product, we recommend you to consult the authorized service in order to learn the required information and authorized bodies.

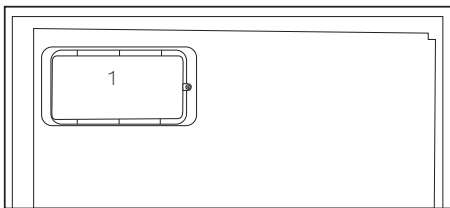
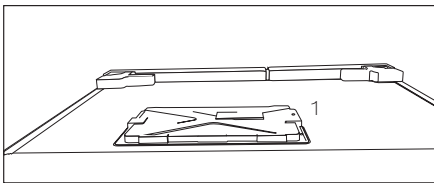
- Consult your authorized service for all your questions and problems related to the refrigerator. Do not intervene or let someone intervene to the refrigerator without notifying the authorised services.
- For products with a freezer compartment; Do not eat cone ice cream and ice cubes immediately after you take them out of the freezer compartment! (This may cause frostbite in your mouth.)
- For products with a freezer compartment; Do not put bottled and canned liquid beverages in the freezer compartment. Otherwise, these may burst.
- Do not touch frozen food by hand; they may stick to your hand.

- Unplug your refrigerator before cleaning or defrosting.
- Vapor and vaporized cleaning materials should never be used in cleaning and defrosting processes of your refrigerator. In such cases, the vapor may get in contact with the electrical parts and cause short circuit or electric shock.
- Never use the parts on your refrigerator such as the door as a means of support or step.
- Do not use electrical devices inside the refrigerator.
- Do not damage the parts, where the refrigerant is circulating, with drilling or cutting tools. The refrigerant that might blow out when the gas channels of the evaporator, pipe extensions or surface coatings are punctured causes skin irritations and eye injuries.
- Do not cover or block the ventilation holes on your refrigerator with any material.
- Electrical devices must be repaired by only authorised persons. Repairs performed by incompetent persons create a risk for the user.
- In case of any failure or during a maintenance or repair work, disconnect your refrigerator's mains supply by either turning off the relevant fuse or unplugging your appliance.
- Do not pull by the cable when pulling off the plug.
- Ensure highly alcoholic beverages are stored securely with the lid fastened and placed upright.
- Never store spray cans containing flammable and explosive substances in the refrigerator.
- Do not use mechanical devices or other means to accelerate the defrosting process, other than those

- recommended by the manufacturer.
- This product is not intended to be used by persons with physical, sensory or mental disorders or unlearned or inexperienced people (including children) unless they are attended by a person who will be responsible for their safety or who will instruct them accordingly for use of the product
 - Do not operate a damaged refrigerator. Consult with the service agent if you have any concerns.
 - Electrical safety of your refrigerator shall be guaranteed only if the earth system in your house complies with standards.
 - Exposing the product to rain, snow, sun and wind is dangerous with respect to electrical safety.
 - Contact authorized service when there is a power cable damage to avoid danger.
 - Never plug the refrigerator into the wall outlet during installation. Otherwise, risk of death or serious injury may arise.
 - This refrigerator is intended for only storing food items. It must not be used for any other purpose.
 - Label of technical specifications is located on the left wall inside the refrigerator.
 - Never connect your refrigerator to electricity-saving systems; they may damage the refrigerator.
 - If there is a blue light on the refrigerator, do not look at the blue light with optical tools.
 - For manually controlled refrigerators, wait for at least 5 minutes to start the refrigerator after power failure.
 - This operation manual should be handed in to the new owner of the product when it is given to others.

- Avoid causing damage on power cable when transporting the refrigerator. Bending cable may cause fire. Never place heavy objects on power cable. Do not touch the plug with wet hands when plugging the product.
- Do not plug the refrigerator if the wall outlet is loose.
- Water should not be sprayed on inner or outer parts of the product for safety purposes.
- Do not spray substances containing inflammable gases such as propane gas near the refrigerator to avoid fire and explosion risk.
- Never place containers filled with water on top of the refrigerator; in the event of spillages, this may cause electric shock or fire.
- Do not overload the refrigerator with food. If overloaded, the food items may fall down and hurt you and damage refrigerator when you open the door.
- Never place objects on top of the refrigerator; otherwise, these objects may fall down when you open or close the refrigerator's door.
- As they require a precise temperature, vaccines, heat-sensitive medicine and scientific materials and etc. should not be kept in the refrigerator.
- If not to be used for a long time, refrigerator should be unplugged. A possible problem in power cable may cause fire.
- The plug's tip should be cleaned regularly with a dry cloth; otherwise, it may cause fire.
- Refrigerator may move if adjustable legs are not properly secured on the floor. Properly securing adjustable legs on the floor can prevent the refrigerator to move.
- When carrying the refrigerator, do not hold it from door handle. Otherwise, it may be snapped.

- When you have to place your product next to another refrigerator or freezer, the distance between devices should be at least 8cm. Otherwise, adjacent side walls may be humidified.
- The product shall never be used while the compartment which is located at the top or back of your product and in which electronic boards are available (electronic board box cover) (1) is open.



For products with a water dispenser;

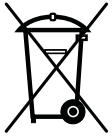
- Pressure for cold water inlet shall be maximum 90 psi (6.2 bar). If your water pressure exceeds 80 psi (5.5 bar), use a pressure limiting valve in your mains system. If you do not know how to check your water pressure, ask for the help of a professional plumber.
- If there is risk of water hammer effect in your installation, always use a water hammer prevention equipment in your installation. Consult Professional plumbers if you are not sure that there is no water hammer effect in your installation.
- Do not install on the hot water inlet. Take precautions against the risk of freezing of the hoses. Water temperature operating interval shall be 33°F (0.6°C) minimum and 100°F (38°C) maximum.

- Use only potable water.

Child safety

- If the door has a lock, the key should be kept away from reach of children.
- Children must be supervised to prevent them from tampering with the product.

Compliance with WEEE Directive and Disposing of the Waste Product:



This product complies with EU WEEE Directive (2012/19/EU). This product bears a classification symbol for waste electrical and electronic equipment

(WEEE).

This product has been manufactured with high quality parts and materials which can be reused and are suitable for recycling. Therefore, do not dispose the product with normal domestic waste at the end of its service life. Take it to a collection point for the recycling of electrical and electronic equipment. Please consult your local authorities to learn the nearest collection point. Help protect the environment and natural resources by recycling used products. For children's safety, cut the power cable and break the locking mechanism of the door, if any, so that it will be non-functional before disposing of the product.

Package information

Packaging materials of the product are manufactured from recyclable materials in accordance with our National Environment Regulations. Do not dispose of the packaging materials together with the domestic or other wastes. Take them to the packaging material collection points designated by the local authorities.

Do not forget...

Any recycled substance is an indispensable matter for nature and our national asset wealth.

If you want to contribute to the re-evaluation of the packaging materials, you can consult to your environmentalist organizations or the municipalities where you are located.

HC warning

If your product's cooling system contains R600a:

This gas is flammable. Therefore, pay attention to not damaging the cooling system and piping during usage and transportation. In the event of damage, keep your product away from potential fire sources that can cause the product catch a fire and ventilate the room in which the unit is placed.

Ignore this warning if your product's cooling system contains R134a.

Type of gas used in the product is stated in the type label which is on the left wall inside the refrigerator.

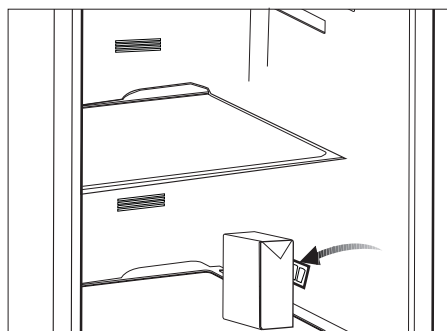
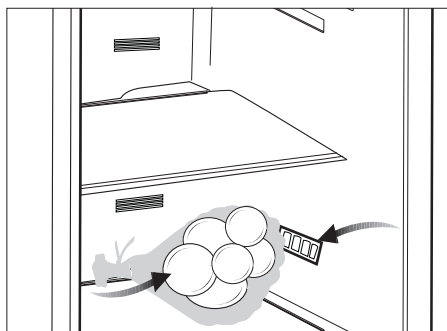
Never throw the product in fire for disposal.

Recommendations for the fresh food compartment

*May not be available in all models

Do not allow the food to touch the temperature sensor in fresh food compartment. To allow the fresh food compartment keep its ideal storage temperature, sensor must not be hindered by food.

Do not place hot foods in the product.



Things to be done for energy saving

- Do not leave the doors of your refrigerator open for a long time.
- Do not put hot food or drinks in your refrigerator.

- Do not overload your refrigerator so that the air circulation inside of it is not prevented.
- Do not install your refrigerator under direct sunlight or near heat emitting appliances such as ovens, dishwashers or radiators. Keep your refrigerator at least 30cm away from heat emitting sources and at least 5cm from electrical ovens.
- Pay attention to keep your food in closed containers.

For products with a freezer compartment; You can store maximum amount of food items in the freezer when you remove the shelf or drawer of the freezer. Energy consumption value stated for your refrigerator has been determined by removing freezer shelf or drawer and under maximum load. There is no harm to use a shelf or drawer according to the shapes and size of food to be frozen.

Thawing frozen food in fridge compartment will both provide energy saving and preserve the food quality.

This Appliance is intended to be used in household and similar applications such as

- staff kitchen areas in shops, offices and other working environments;
- farm houses and by clients in hotels, motels and other residential type environment;
- bed and breakfast type environments;
- catering and similar non-retail application.

3 Installation

⚠ In case the information which are given in the user manual are not taken into account, manufacturer will not assume any liability for this.

Points to be paid attention to when the relocation of the refrigerator

1. Your refrigerator should be unplugged. Before transportation of your refrigerator, it should be emptied and cleaned.

2. Before it is re-packaged, shelves, accessories, crisper, etc. inside your refrigerator should be fixed with adhesive tape and secured against impacts. Package should be bound with a thick tape or sound ropes and the transportation rules on the package should be strictly observed.

3. Original packaging and foam materials should be kept for future transportations or moving.

Before you start the refrigerator,

Check the following before you start to use your refrigerator:

1. Clean the interior of the refrigerator as recommended in the “Maintenance and cleaning” section.

2. Connect the plug of the refrigerator to the wall socket. When the fridge door is opened, fridge internal lamp will turn on.

3. When the compressor starts to operate, a sound will be heard. The liquid and gases sealed within the refrigeration system may also give rise to noise, even if the compressor is not running and this is quite normal.

4. Front edges and both sides of the refrigerator may feel warm. This is normal. These areas are designed to be warm to avoid condensation.

Electrical connection

Connect your product to a grounded socket which is being protected by a fuse with the appropriate capacity.

Important:

The connection must be in compliance with national regulations.

- The power plug must be easily accessible after installation.
- Electrical safety of your refrigerator shall be guaranteed only if the earth system in your house complies with standards.
- The voltage stated on the label located at left inner side of your product should be equal to your network voltage.
- Extension cables and multi plugs must not be used for connection.

- ⚠ A damaged power cable must be replaced by a qualified electrician.
- ⚠ Product must not be operated before it is repaired! There is the risk of electric shock!

Disposing of the packaging

The packing materials may be dangerous for children. Keep the packing materials out of the reach of children or dispose of them by classifying them in accordance with the waste instructions stated by your local authorities. Do not throw away with regular house waste, throw away on packaging pick up spots designated by the local authorities.

The packing of your refrigerator is produced from recyclable materials.

Disposing of your old refrigerator

Dispose of your old refrigerator without giving any harm to the environment.

- You may consult your authorized dealer or waste collection center of your municipality about the disposal of your refrigerator.

Before disposing of your refrigerator, cut out the electric plug and, if there are any locks on the door, make them inoperable in order to protect children against any danger.

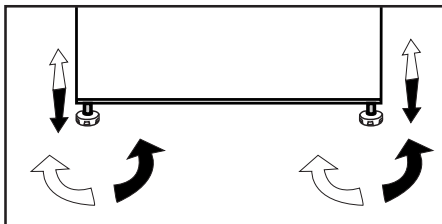
Placing and Installation

⚠ If the entrance door of the room where the refrigerator will be installed is not wide enough for the refrigerator to pass through, then call the authorized service to have them remove the doors of your refrigerator and pass it sideways through the door.

1. Install your refrigerator to a place that allows ease of use.
2. Keep your refrigerator away from heat sources, humid places and direct sunlight.
3. There must be appropriate air ventilation around your refrigerator in order to achieve an efficient operation. If the refrigerator is to be placed in a recess in the wall, there must be at least 5 cm distance with the ceiling and at least 5 cm with the wall. Do not place your product on the materials such as rug or carpet.
4. Place your refrigerator on an even floor surface to prevent jolts.

Adjusting the legs

If your refrigerator is unbalanced; You can balance your refrigerator by turning its front legs as illustrated in the figure. The corner where the leg exists is lowered when you turn in the direction of black arrow and raised when you turn in the opposite direction. Taking help from someone to slightly lift the refrigerator will facilitate this process.



Door Open Warning

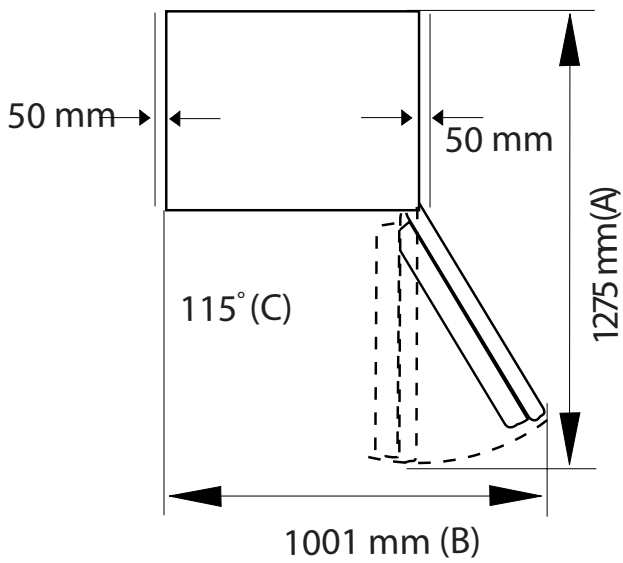
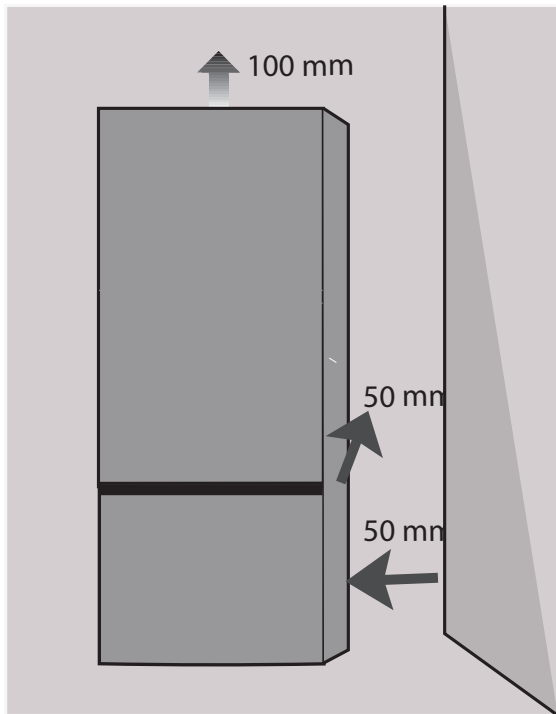
***May not be available in all models**

An audio warning signal will be given when the door of your product is left open for at least 1 minute. This warning will be muted when the door is closed or any of the display buttons (if any) are pressed.

Changing the illumination lamp

To change the Bulb/LED used for illumination of your refrigerator, call your AuthorisedService.

The lamp(s) used in this appliance is not suitable for household room illumination. The intended purpose of this lamp is to assist the user to place foodstuffs in the refrigerator/freezer in a safe and comfortable way. The lamps used in this appliance have to withstand extreme physical conditions such as temperatures below -20°C . (only chest and upright freezer)



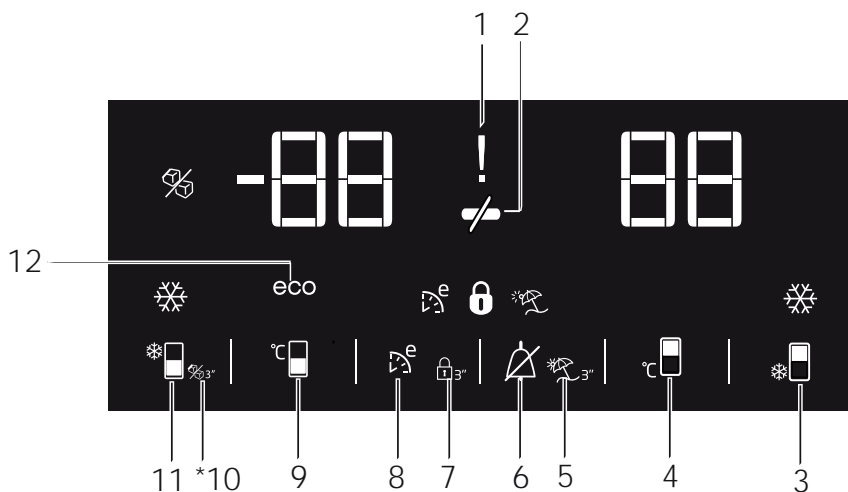
4 Preparation

- Your cooler/freezer should be installed at least 30 cm away from heat sources such as hobs, ovens, central heater and stoves and at least 5 cm away from electrical ovens and should not be located under direct sunlight.
- Please make sure that the interior of your cooler/freezer is cleaned thoroughly.
- If two coolers are to be installed side by side, there should be at least 2 cm distance between them.
- When you operate your cooler/freezer for the first time, please observe the following instructions during the initial six hours.
- Its door should not be opened frequently.
- It must be operated empty without placing any food in it.
- Do not unplug your cooler/freezer. If a power failure occurs out of your control, please see the warnings in the “Recommended solutions for the problems” section.
- The baskets/drawers that are provided with the chill compartment must always be in use for low energy consumption and for better storage conditions.
- Food contact with the temperature sensor in the freezer compartment may increase energy consumption of the appliance. Thus any contact with the sensor(s) must be avoided.
- This product has been designed to function at ambient temperatures up to 43 °C (90 SDgrF). Even if the ambient temperature falls to -15 °C, frozen food in the freezer does not thaw thanks to its Advanced Electronic Temperature Control System. For the first installation, the product should NOT be placed under low ambient temperatures. This is because the freezer cannot go down to standard operation temperature. When reaching continuous operation, the product can be moved to another place. Thus, later you can place your product in the garage or an unheated room without the concern of causing frozen food to get rotten. However, it is likely that above mentioned low temperatures may cause the freezing of the food in the fridge compartment; thus, please consume the food items in the fridge in a controlled way as needed. When ambient temperature goes back to normal, you may change button setting according to your need.
- If the ambient temperature is below 0°C, the food in fridge compartment will freeze. Therefore, we recommend not using the fridge compartment in such low ambient temperatures. You may continue to use the freezer compartment as usual.
- In some models, the instrument panel automatically turns off 5 minutes after the door has closed. It will be reactivated when the door has opened or pressed on any key.
- Due to temperature change as a result of opening/closing the product door during operation, condensation on the door/body shelves and the glass containers is normal.

5 Using your refrigerator

Indicator panel (External Display) *Optional

Indicator panel allows you to set the temperature and control the other functions related to the product without opening the door of the product. Just press the inscriptions on relevant buttons for function settings.



1. Power failure/High temperature / error warning indicator

This indicator (1) illuminates during power failure, high temperature failures and error warnings. During sustained power failures, the highest temperature that the freezer compartment reaches will flash on the digital display. After checking the food located in the freezer compartment (2) press the alarm off button to clear the warning. Please refer to "remedies advised for troubleshooting" section on your manual if you observe that this indicator is illuminated.

2. Energy saving function (display off):

If the product doors are kept closed for a long time energy saving function is automatically activated and energy saving symbol is illuminated. (1) When energy saving function is activated, all symbols on the display other than energy saving symbol will turn off. When the Energy Saving function is activated, if any button is pressed or the door is opened, energy saving function will be canceled and the symbols on display will return to normal.

Figures that take place in this instruction manual are schematic and may not correspond exactly with your product. If the subject parts are not included in the product you have purchased, then it is valid for other models.

Energy saving function is activated during delivery from factory and cannot be canceled.

3.Quick fridge function

The button has two functions. To activate or deactivate the quick cool function press it briefly. Quick Cool indicator will turn off and the product will return to its normal settings. (●🔑)

i Use quick cooling function when you want to quickly cool the food placed in the fridge compartment. If you want to cool large amounts of fresh food, activate this function before putting the food into the product

i If you do not cancel it, quick cooling will cancel itself automatically after 1 hours or when the fridge compartment reaches to the required temperature

i If you press the quick cooling button repeatedly with short intervals, the electronic circuit protection will be activated and the compressor will not start up immediately

i This function is not recalled when power restores after a power failure

4. Fridge compartment temperature setting button

Press this button to set the temperature of the fridge compartment to 8, 7,6, 5,4,3, 2, 8... respectively. Press this button to set the fridge compartment temperature to the desired value. (🔑)

5.Vacation Function

In order to activate vacation function, press the this button (☀️) for 3 seconds, and the vacation mode indicator (☀️) will be activated. When the vacation function is activated, “- -” is displayed on the fridge compartment temperature indicator and no active cooling is performed on the fridge compartment. It is not suitable to keep the food in the fridge compartment when this function is activated. Other compartments shall be continued to be cooled as per their set temperature.

To cancel this function press **Vacation function** button again.

6. Alarm off warning:

In case of power failure/high temperature alarm, after checking the food located in the freezer compartment press the alarm off button (🔊) to clear the warning.

7. Key lock


Press key lock button (🔒) simultaneously for 3 seconds. Key lock symbol

(🔒) will light up and key lock mode will be activated. Buttons will not function if the Key lock mode is active. Press key lock button simultaneously for 3 seconds again. Key lock symbol will turn off and the key lock mode will be exited.

Press the **key lock** button if you want to prevent changing of the temperature setting of the refrigerator (🔒).


8. Eco fuzzy

Press and hold eco fuzzy button for 1 seconds to activate eco fuzzy function. Refrigerator will start operating in the most economic mode at least 6 hours later and the economic usage


indicator will turn on when the function is active (). Press and hold eco fuzzy function button for 3 seconds to deactivate eco fuzzy function.


This indicator is illuminated after 6 hours when eco fuzzy is activated.

9. Freezer compartment temperature setting button

Press this button to set the temperature of the freezer compartment to -16, -17, -18, -19, -20, -22, -24, -16... respectively. Press this button to set the freezer compartment temperature to the desired value. ()

10. Icematic function (optional)


Indicates whether the icematic is on or off. () If On, then the icematic is not operating. To operate the icematic again press and hold the On-Off button for 3 seconds.


 Water flow from water tank will stop when this function is selected. However, ice made previously can be taken from the icematic


11. Quick freeze function button

Press this button to activate or deactivate the quick freezing function. When you activate the function, the freezer compartment will be cooled to a temperature lower than the set value.





 Use the quick freeze function when you want to quickly freeze the food placed in fridge compartment. If you want to freeze large amounts of fresh food, activate this function before putting the food into the product

 If you do not cancel it, Quick Freeze will cancel itself automatically after 24 hours or when the fridge compartment reaches to the required temperature

 This function is not recalled when power restores after a power failure

12. Economic usage indicator

Indicates that the product is running in energy-efficient mode. () This indicator will be active if the Freezer Compartment temperature is set to -16 or the energy efficient cooling is being performed due to Eco-Extra function.

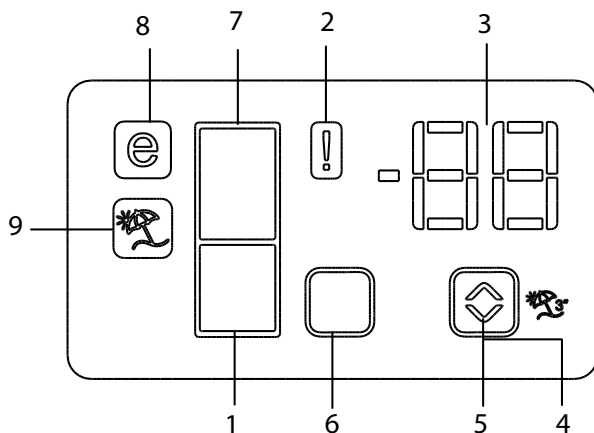
 Economic usage indicator is turned off when quick cooling or quick freeze functions are selected

5 Using your refrigerator

Indicator panel (Internal Display) *Optional

Indicator panels may vary according to the product model.

Audio – visual functions on the indicator panel helps you in using your product.



1. Freezer compartment indicator
 2. Error status indicator
 3. Temperature indicator
 4. Vacation function button
 5. Temperature setting button
 6. Compartment selection button
 7. Fridge Compartment Indicator
 8. Economy mode indicator
 9. Vacation function indicator
- *optional

Figures that take place in this instruction manual are schematic and may not correspond exactly with your product. If the subject parts are not included in the product you have purchased, then it is valid for other models.

1. Freezer compartment indicator

Fridge compartment light is illuminated while the freezer compartment temperature is set.

2. Error status indicator

If your refrigerator does not perform enough cooling or in case of a sensor fault, this indicator is activated. When this indicator is activated, "E" is displayed on the freezer compartment temperature indicator, and numbers such as "1,2,3..." are displayed on the fridge compartment temperature indicator. These numbers on the indicator inform service personnel about the error.

3. Temperature indicator

Indicates freezer, fridge compartment temperature.

4. Vacation function button

Press on Vacation Button for 3 seconds to activate this function.

When the vacation function is activated, "--" is displayed on the fridge compartment temperature indicator and no active cooling is performed on the fridge compartment. It is not suitable to keep the food in the fridge compartment when this function is activated. Other compartments shall be continued to be cooled as per their set temperature.

To cancel this function press Vacation button again.

5. Temperature setting button

Changes the temperature of the relevant compartment between -24°C... -16°C and 8°C...1°C.

6. Compartment selection button

Selection button: Press compartment selection button to switch between fridge and freezer compartments.

7. Fridge compartment indicator

Fridge compartment light is illuminated while the fridge compartment temperature is set.

8. Economy mode indicator

Indicates that the refrigerator operates in energy saving mode. This display shall be activated if the freezer compartment temperature is set to -16°C.

9. Vacation function indicator

Indicates that vacation is activated.

Freezing fresh food

- It must be preferred to wrap or cover the food before placing them in the refrigerator.
- Hot food must cool down to the room temperature before putting them in the refrigerator.
- The foodstuff that you want to freeze must be fresh and in good quality.
- Foodstuff must be divided into portions according to the family's daily or meal based consumption needs.
- The foodstuff must be packaged in an airtight manner to prevent them from drying even if they are going to be kept for a short time.
- Materials to be used for packaging must be tear-proof and resistant to cold, humidity, odor, oils and acids and they must also be airtight. Moreover, they must be well closed and they must be made from easy-to-use materials that are suitable for deep freeze usage.
- Frozen food must be used immediately after they are thawed and they should never be re-frozen.
- Please observe the following instructions to obtain the best results.
 1. Do not freeze too large quantities of food at one time. The quality of the food is best preserved when it is frozen right through to the core as quickly as possible.
 2. Placing warm food into the freezer compartment causes the cooling system to operate continuously until the food is frozen solid.
 3. Take special care not to mix already frozen food and fresh food.

Recommendations for preservation of frozen food

- Prepacked commercially frozen food should be stored in accordance with the frozen food manufacturer's instructions for a **✳ ***(4 star)** frozen food storage compartment.
- To ensure that the high quality achieved by the frozen food manufacturer and the food retailer is maintained, the following should be remembered:
 1. Put packages in the freezer as quickly as possible after purchase.
 2. Ensure that contents are labeled and dated.
 3. Do not exceed "Use By", "Best Before" dates on the packaging.

Defrosting

The freezer compartment defrosts automatically.

Placing the food

Freezer compartment shelves	Various frozen food such as meat, fish, ice cream, vegetables and etc.
Egg tray	Egg
Fridge compartment shelves	Food in pans, covered plates and closed containers
Fridge compartment door shelves	Small and packaged food or drinks (such as milk, fruit juice and beer)
Crisper	Vegetables and fruits

Freshzone compartment	Delicatessen products (cheese, butter, salami and etc.)
-----------------------	---

Deep-freeze information

Food must be frozen as rapidly as possible when they are put in a refrigerator in order to keep them in good quality.

It is possible to keep the food for a long time only at -18°C or lower temperatures.

You can keep the freshness of food for many months (at -18°C or lower temperatures in the deep freeze).

WARNING! ⚠

- Foodstuff must be divided into portions according to the family's daily or meal based consumption needs.
- Foodstuff must be packaged in an airtight manner to prevent them from drying even if they are going to be kept for a short time.
- Materials necessary for packaging:
- Cold resistant adhesive tape
- Self adhesive label
- Rubber rings
- Pen

Materials to be used for packaging the foodstuff must be tear-proof and resistant to cold, humidity, odor, oils and acids.

Foodstuff to be frozen should not be allowed to come in contact with the previously frozen items to prevent their partial thawing.

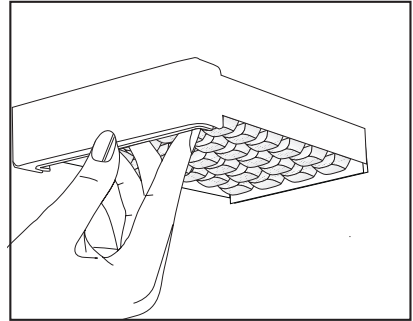
Frozen food must be used immediately after they are thawed and they should never be re-frozen.

Making ice

(This feature is optional)

Fill the ice container with water and place it into the freezer compartment. Your ice will be ready approximately in two hours.

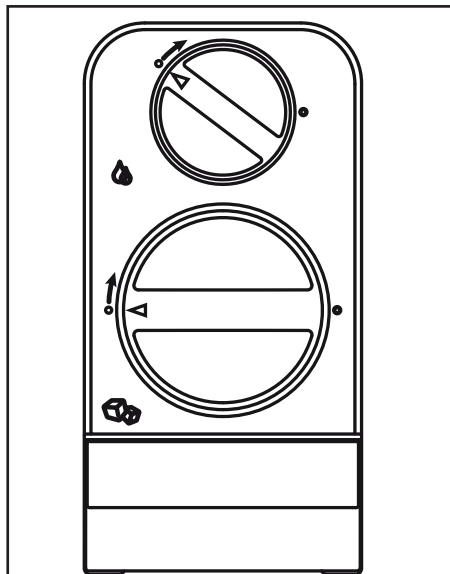
You can remove the ice in the ice container by removing it from the freezer and twisting it.



Twist Ice – matic

(This feature is optional)

- Remove the water tank by rotating it to the left.
- Open the water tank cover by turning it and add water to the water tank up to the lower part of the water tank cover.
- Place the water tank on its place as shown in the figure after adding water and have it seated by rotating it on the direction of the arrow. Water shall be poured down to the icebank.
- When ice has formed, rotate icebank knob in the direction of the arrow to allow that the ice is dropped down to the ice drawer.
- Take the ice cubes by pulling ice drawer out.
- Pull the front face towards you in order to wash the icebank, and put it on the slides on the interior area and push it to its place in order to replace it.
- Pull the twist icematic unit towards you in order to remove the unit, and put it on the slides on the ceiling and push it to its place in order to replace it.



Ice container

- Remove the ice container from the freezer compartment.
- Fill the ice container with water.
- Place the ice container in the freezer compartment. About two hours later, the ice is ready.
- Remove the ice container from the freezer compartment and bend it over the service plate. Ice cubes will easily fall down to the service plate.

Fan

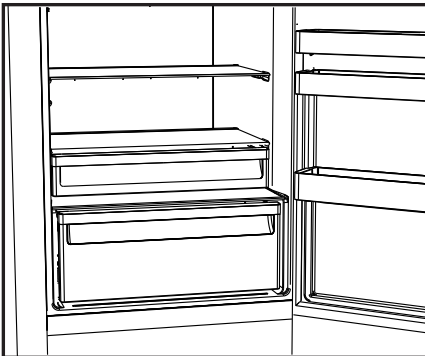
Fan is designed to ensure homogeneous distribution and circulation of the cold air inside your refrigerator. Operation time of the fan may vary depending on the properties of your product.

While the fan works only with the compressor in some products, the control system determines its operation time in some products in accordance with the cooling requirement.

Chiller compartment

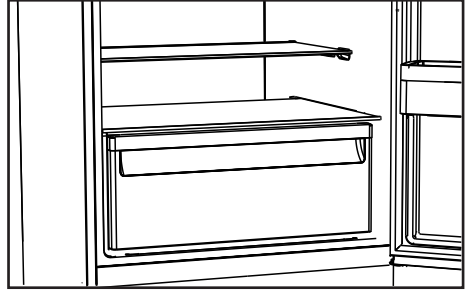
(This feature is optional)

Use this compartment to store delicatessen that shall be stored in a lower temperature or meat products that you will consume in a short time. Chiller compartment is the coolest place in your refrigerator where you can keep dairy products, meat, fish and poultry under ideal storage conditions. Fruits and vegetables should not be stored in this compartment.



Crisper

Crisper of the product is designed specially to keep the vegetables fresh without losing their humidity. For this purpose, cool air circulation is intensified around the crisper in general.

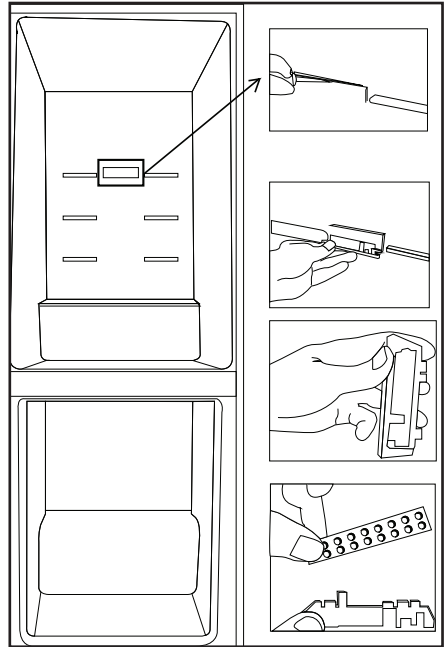


Description and cleaning of odour filter:

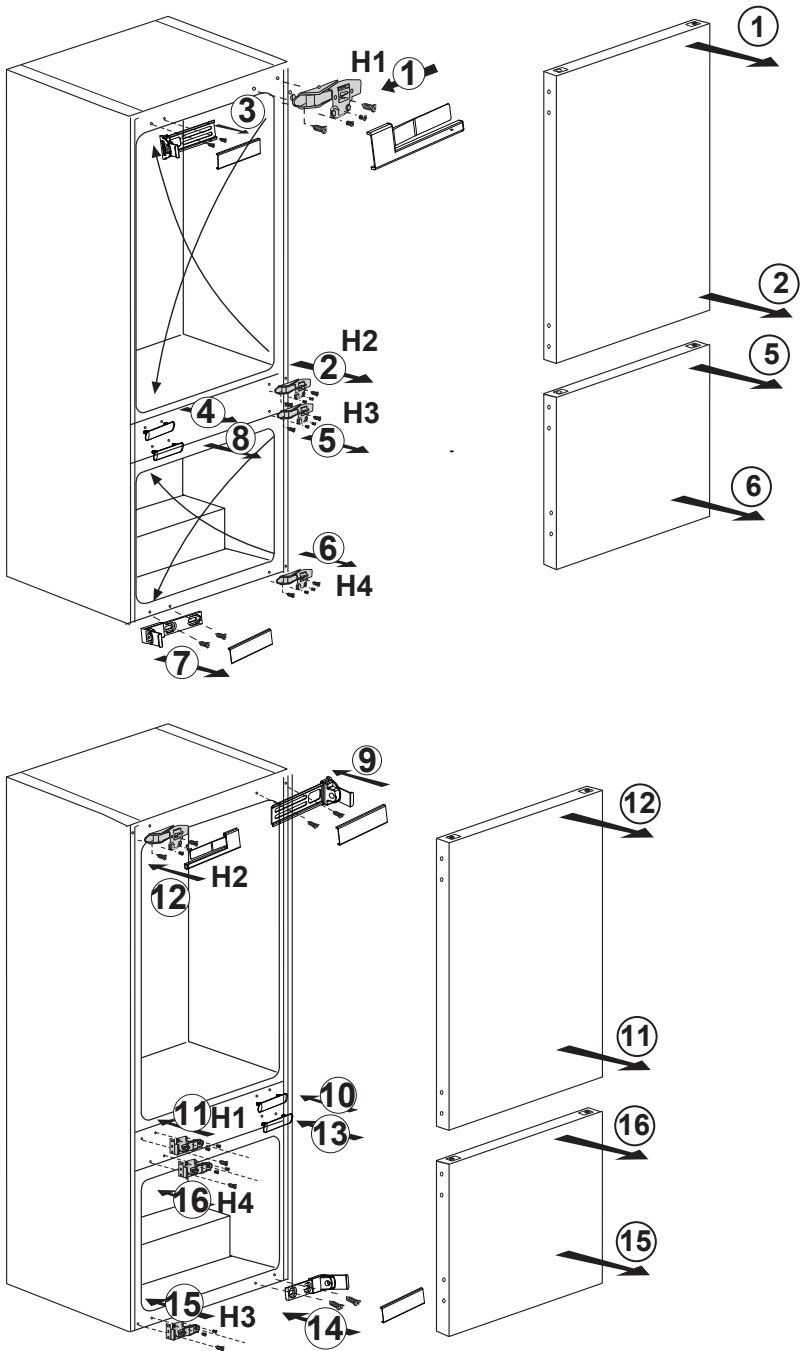
optional *

Odour filter prevents unpleasant odour build-up in your refrigerator. Pull the cover into which the odour filter is installed downwards from the front section and remove as illustrated.

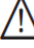
Leave the filter under sunlight for one day. Filter will be cleaned during this time. Install the filter back to its place. Odour filter must be cleaned once in a year.

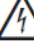



Reversing the doors





6 Maintenance and cleaning


 Never use gasoline, benzene or similar substances for cleaning purposes.


 We recommend that you unplug the appliance before cleaning.

 Never use any sharp abrasive instrument, soap, household cleaner, detergent and wax polish for cleaning.


 Use lukewarm water to clean the cabinet of your refrigerator and wipe it dry.

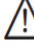
 Use a damp cloth wrung out in a solution of one teaspoon of bicarbonate of soda to one pint of water to clean the interior and wipe it dry.

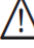
 Make sure that no water enters the lamp housing and other electrical items.

 If your refrigerator is not going to be used for a long period of time, unplug the power cable, remove all food, clean it and leave the door ajar.


C Check door seals regularly to ensure they are clean and free from food particles.

 To remove door racks, remove all the contents and then simply push the door rack upwards from the base.

 Never use cleaning agents or water that contain chlorine to clean the outer surfaces and chromium coated parts of the product. Chlorine causes corrosion on such metal surfaces.

 Do not use sharp, abrasive tools, soap, household cleaning agents, detergents, kerosene, fuel oil, varnish etc. to prevent removal and deformation of the prints on the plastic part. Use lukewarm water and a soft cloth for cleaning and then wipe it dry.

Protection of plastic surfaces

 Do not put the liquid oils or oil-cooked meals in your refrigerator in unsealed containers as they damage the plastic surfaces of your refrigerator. In case of spilling or smearing oil on the plastic surfaces, clean and rinse the relevant part of the surface at once with warm water.

7 Troubleshooting

Please review this list before calling the service. It will save your time and money. This list includes frequent complaints that are not arising from defective workmanship or material usage. Some of the features described here may not exist in your product.

The refrigerator does not operate.
<ul style="list-style-type: none">• The plug is not inserted into the socket correctly. >>>Insert the plug into the socket securely.• The fuse of the socket which your refrigerator is connected to or the main fuse have blown out. >>>Check the fuse.
Condensation on the side wall of the fridge compartment (MULTIZONE, COOL CONTROL and FLEXI ZONE).
<ul style="list-style-type: none">• Door has been opened frequently. >>>Do not open and close the door of refrigerator frequently.• Ambient is very humid. >>>Do not install your refrigerator into highly humid places.• Food containing liquid is stored in open containers. >>>Do not store food with liquid content in open containers.• Door of the refrigerator is left ajar. >>>Close the door of the refrigerator.• Thermostat is set to a very cold level. >>>Set the thermostat to a suitable level.
Compressor is not running
<ul style="list-style-type: none">• Protective thermic of the compressor will blow out during sudden power failures or plug-out plug-ins as the refrigerant pressure in the cooling system of the refrigerator has not been balanced yet. The refrigerator will start running approximately after 6 minutes. Please call the service if the refrigerator does not startup at the end of this period.• The fridge is in defrost cycle. >>>This is normal for a full-automatically defrosting refrigerator. Defrosting cycle occurs periodically.• The refrigerator is not plugged into the socket. >>>Make sure that the plug is fit into the socket.• Temperature settings are not made correctly. >>>Select the suitable temperature value.• There is a power outage. >>>Refrigerator returns to normal operation when the power restores.
The operation noise increases when the refrigerator is running.
<ul style="list-style-type: none">• The operating performance of the refrigerator may change due to the changes in the ambient temperature. It is normal and not a fault.
The refrigerator is running frequently or for a long time.

- New product may be wider than the previous one. Larger refrigerators operate for a longer period of time.
- The room temperature may be high. >>>It is normal that the product operates for longer periods in hot ambient.
- The refrigerator might be plugged in recently or might be loaded with food. >>>When the refrigerator is plugged in or loaded with food recently, it will take longer for it to attain the set temperature. This is normal.
- Large amounts of hot food might be put in the refrigerator recently. >>>Do not put hot food into the refrigerator.
- Doors might be opened frequently or left ajar for a long time. >>>The warm air that has entered into the refrigerator causes the refrigerator to run for longer periods. Do not open the doors frequently.
- Freezer or fridge compartment door might be left ajar. >>>Check if the doors are closed completely.
- The refrigerator is adjusted to a very low temperature. >>>Adjust the refrigerator temperature to a warmer degree and wait until the temperature is achieved.
- Door seal of the fridge or freezer may be soiled, worn out, broken or not properly seated. >>>Clean or replace the seal. Damaged/broken seal causes the refrigerator to run for a longer period of time in order to maintain the current temperature.

Freezer temperature is very low while the fridge temperature is sufficient.

- The freezer temperature is adjusted to a very low value. >>>Adjust the freezer temperature to a warmer degree and check.

Fridge temperature is very low while the freezer temperature is sufficient.

- The fridge temperature is adjusted to a very low value. >>>Adjust the fridge temperature to a warmer degree and check.

Food kept in the fridge compartment drawers is frozen.

- The fridge temperature is adjusted to a very high value. >>>Adjust the fridge temperature to a lower value and check.

Temperature in the fridge or freezer is very high.

- The fridge temperature is adjusted to a very high value. >>>Fridge compartment temperature setting has an effect on the temperature of the freezer. Change the temperatures of the fridge or freezer and wait until the relevant compartments attain a sufficient temperature.
- Doors are opened frequently or left ajar for a long time. >>>Do not open the doors frequently.
- Door is ajar. >>>Close the door completely.
- The refrigerator is plugged in or loaded with food recently. >>>This is normal. When the refrigerator is plugged in or loaded with food recently, it will take longer for it to attain the set temperature.
- Large amounts of hot food might be put in the refrigerator recently. >>>Do not put hot food into the refrigerator.

• Vibrations or noise.

- The floor is not level or stable. >>> If the refrigerator rocks when moved slowly, balance it by adjusting its feet. Also make sure that the floor is strong enough to carry the refrigerator, and level.
- The items put onto the refrigerator may cause noise. >>>Remove the items on top of the refrigerator.

There are noises coming from the refrigerator like liquid flowing, spraying, etc.

- Liquid and gas flows occur in accordance with the operating principles of your refrigerator. It is normal and not a fault.

Whistle comes from the refrigerator.

- Fans are used in order to cool the refrigerator. It is normal and not a fault.

Condensation on the inner walls of refrigerator.

- Hot and humid weather increases icing and condensation. It is normal and not a fault.
- Doors are opened frequently or left ajar for a long time. >>>Do not open the doors frequently. Close them if they are open.
- Door is ajar. >>>Close the door completely.

Humidity occurs on the outside of the refrigerator or between the doors.

- There might be humidity in the air; this is quite normal in humid weather. When the humidity is less, condensation will disappear.

Bad odour inside the refrigerator.

- No regular cleaning is performed. >>>Clean the inside of the refrigerator regularly with a sponge, lukewarm water or carbonate dissolved in water.
- Some containers or package materials may cause the smell. >>>Use a different container or different brand packaging material.
- Food is put into the refrigerator in uncovered containers. >>>Keep the food in closed containers. Microorganisms spreading out from uncovered containers can cause unpleasant odours.
- Remove the foods that have expired best before dates and spoiled from the refrigerator.

The door is not closing.

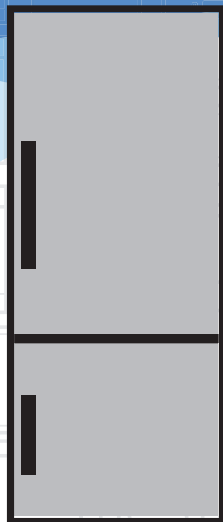
- Food packages are preventing the door from closing. >>>Replace the packages that are obstructing the door.
- The refrigerator is not completely even on the floor. >>>Adjust the feet to balance the refrigerator.
- The floor is not level or strong. >>>Make sure that the floor is level and capable to carry the refrigerator.

Crispers are stuck.

- The food is touching the ceiling of the drawer. >>>Rearrange food in the drawer.

ตู้เย็น

คู่มือการใช้งาน



RCNT340I50VZS
RCNT415E50VZDX
RCNT415E50VZGW
RCNT375E50VZGW
RCNT340E50VZWB

TH

beko

โปรดอ่านคู่มือการใช้งานเล่มนี้ก่อน!

เรียน ลูกค้าผู้มีอุปการคุณ,

เราหวังว่าผลิตภัณฑ์ของท่านที่ได้ผลิตในโรงงานที่ทันสมัยและถูกตรวจสอบภายใต้กระบวนการควบคุมคุณภาพที่พิถีพิถันที่สุด จะทำให้คุณใช้งานอย่างมีประสิทธิภาพ ดังนั้น โปรดอ่านคู่มือการใช้งานทั้งหมดในเล่มนี้อย่างละเอียดก่อนใช้งานผลิตภัณฑ์ และเก็บคู่มือนี้ไว้เพื่ออ้างอิงในอนาคต หากท่านมอบผลิตภัณฑ์นี้ให้กับบุคคลอื่น กรุณาให้คู่มือการใช้งานด้วย

คู่มือการใช้งานเล่มนี้จะช่วยให้ท่านใช้ผลิตภัณฑ์อย่างรวดเร็วและปลอดภัย

- อ่านคู่มือการใช้งานก่อนติดตั้งและใช้งานผลิตภัณฑ์
- ให้แน่ใจว่าท่านได้อ่านคำแนะนำด้านความปลอดภัยแล้ว
- เก็บคู่มือการใช้งานในที่ที่เข้าถึงง่าย ท่านอาจจำเป็นต้องใช้คู่มือนี้ในภายหลัง
- อ่านเอกสารอื่นที่ให้มาพร้อมกับผลิตภัณฑ์ด้วย

โปรดจำไว้ว่า คู่มือการใช้งานเล่มนี้ยังสามารถใช้ได้กับผลิตภัณฑ์รุ่นอื่นด้วย สิ่งที่แตกต่างกันในแต่ละรุ่นจะถูกระบุในเล่มคู่มือการใช้งานนี้

คำอธิบายสัญลักษณ์ต่างๆ

สัญลักษณ์ต่อไปนี้ จะถูกใช้ในคู่มือการใช้งานตลอดทั้งเล่ม:

i ข้อมูลสำคัญหรือเคล็ดลับที่เป็นประโยชน์ในการใช้งาน

⚠ คำเตือนสำหรับสภาพที่อันตรายต่อชีวิตและทรัพย์สิน

⚠ คำเตือนสำหรับแรงดันไฟฟ้า

สารบัญ

1 ตู้เย็น 3

2 คำเตือนเพื่อความปลอดภัยที่สำคัญ 4

การใช้งานตามวัตถุประสงค์.....	4
ความปลอดภัยทั่วไป.....	4
สำหรับตู้เย็นรุ่นที่มีตู้จ่ายน้ำดื่ม	7
ความปลอดภัยสำหรับเด็ก.....	7
การปฏิบัติตามข้อกำหนด WEEE และการกำจัดผลิตภัณฑ์ของเสีย.....	8
ข้อมูลบรรจุภัณฑ์	8
คำเตือนเกี่ยวกับ HC.....	9
สิ่งที่ควรปฏิบัติเพื่อประหยัดพลังงาน	9
คำแนะนำสำหรับช่องเก็บอาหารสด.....	9

3 การติดตั้งตู้เย็น 10

จุดที่ต้องระวังเมื่อเคลื่อนย้ายตู้เย็น.....	10
การเชื่อมต่อระบบไฟฟ้า	10
การกำจัดทิ้งบรรจุภัณฑ์.....	11
การกำจัดทิ้งตู้เย็นเก่าของคุณ	11
การวางตำแหน่งและติดตั้งตู้เย็น	11
การปรับขาตั้ง.....	12
การแจ้งเตือนประตูเปิดทิ้งไว้.....	12
การเปลี่ยนหลอดไฟ	12

4 การเตรียมพร้อมใช้งาน 14

5 การใช้งานตู้เย็น 15

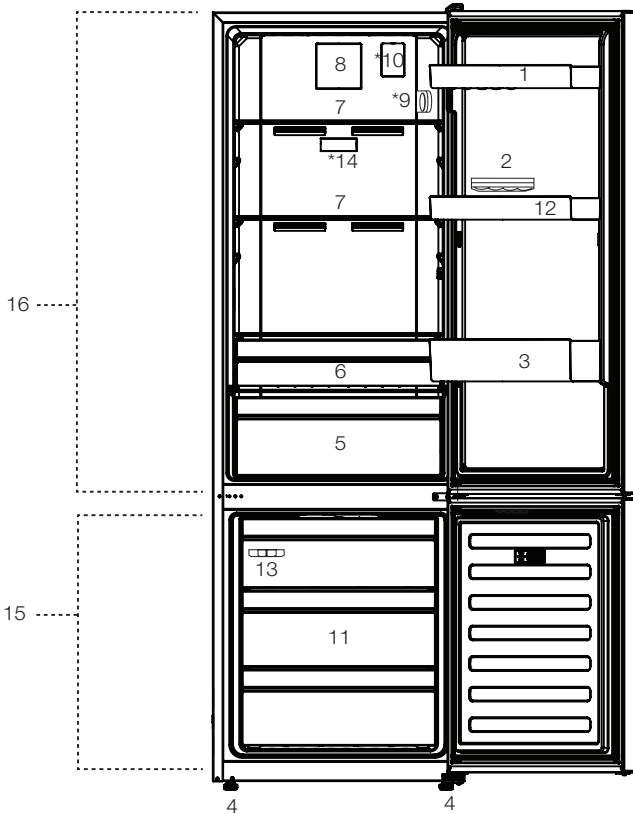
แผงหน้าจอบันทึกผล	15
การแช่แข็งอาหารสด.....	20
คำแนะนำในการเก็บรักษาอาหารแช่แข็ง.....	20
การวางอาหาร.....	20
การทำน้ำแข็ง	21
ข้อมูลเกี่ยวกับการแช่แข็งเป็นระยะเวลานาน (Deep Freeze).....	21
ระบบทำน้ำแข็งด้วยถาดใส่น้ำแข็งแบบบิด	22
พัดลม	23
ช่องถาดเก็บความสดกรอบของอาหาร (Crisper).....	23
ช่องแช่เย็น.....	23
คำอธิบายและการทำความสะอาดตัวกรองกลิ่น.....	21
การกลับทิศทางในการเปิดประตู.....	25

6 การบำรุงรักษาและการทำความสะอาด 26

การปกป้องพื้นผิวพลาสติก.....	26
------------------------------	----

7 การแก้ไขปัญหา 27

1 ตู้เย็น



- | | |
|------------------------------|-------------------------------|
| 1. ชั้นวางของที่แผงประตู | 10. ตัวดับจับฉนวน |
| 2. ภาควางไข่ | 11. ช่องแช่แข็งอาหารให้สดกรอบ |
| 3. ชั้นวางขวดน้ำ | 12. ชั้นวางของเคลื่อนย้ายได้ |
| 4. ขาตั้งปรับได้ | 13. ภาคน้ำแข็ง/ชุดทำน้ำแข็ง |
| 5. ช่องแช่เย็นอาหารให้สดกรอบ | 14. แผ่นกรองอากาศ |
| 6. ช่องแช่เย็น | 15. ช่องแช่แข็ง |
| 7. ชั้นกระถางวางอาหาร | 16. ช่องแช่เย็น |
| 8. พัดลม | *ตัวเลือกเสริม |
| 9. ปุ่มปรับตั้งอุณหภูมิ | |

ภาพที่แสดงในคู่มือการใช้งานนี้ เป็นแผนภาพทั่วไปและอาจไม่สอดคล้องตรงกับผลิตภัณฑ์ของคุณทั้งหมด หากมีชิ้นส่วนที่ไม่ได้รวมอยู่ในผลิตภัณฑ์ที่คุณซื้อมาแล้ว แสดงว่าชิ้นส่วนนั้นใช้กับรุ่นอื่น

2 คำเตือนเพื่อความปลอดภัยที่สำคัญ

- ควรให้ช่องระบายอากาศ, ในบริเวณช่องวางตู้เย็น หรือในบริเวณภายในโครงสร้างบิวท์อิน (Built-in structure) ปรากฏจากสิ่งกีดขวางใดๆ
- ห้ามใช้เครื่องใช้ไฟฟ้าภายในช่องเก็บอาหารของตู้เย็น ยกเว้นกรณีสิ่งที่เป็นของที่ผู้ผลิตแนะนำ
- เครื่องใช้ไฟฟ้านี้สามารถใช้ได้โดยเด็กอายุ 8 ปีขึ้นไป และบุคคลที่มีความสามารถทางกายภาพ, ทางประสาทสัมผัส หรือทางจิต หรือคนที่ไม่ได้รับการฝึกอบรม หรือไม่มีประสบการณ์ ก็สามารถใช้อุปกรณ์ใช้ไฟฟ้าได้ หากได้รับการดูแลหรือได้รับคำแนะนำเกี่ยวกับการใช้เครื่องอย่างปลอดภัยและเข้าใจถึงอันตรายที่เกี่ยวข้อง
- เด็กไม่ควรเล่นเครื่องใช้ไฟฟ้า
- ไม่ควรให้เด็กทำความสะอาดและบำรุงรักษาในแบบผู้ใช้งาน โดยปราศจากการควบคุมดูแล

โปรดตรวจสอบข้อมูลดังต่อไปนี้ การไม่ปฏิบัติตามข้อมูลนี้อาจทำให้เกิดการบาดเจ็บหรือความเสียหายต่อวัสดุ หรือมีฉะนั้นการรับประกันและภาระผูกพันทั้งหมดที่เชื่อถือได้จะไม่สามารถใช้งานได้

อะไหล่แท้จะมีบริการให้เป็นระยะเวลา 10 ปีหลังจากให้ผลิตภัณฑ์ทำงานอย่างถูกต้อง

การใช้งานตามวัตถุประสงค์

เครื่องใช้ไฟฟ้านี้มีวัตถุประสงค์เพื่อ

- ใช้ภายในร่มและในพื้นที่ปิด อย่างเช่น บ้านที่อยู่อาศัย;
- ในสภาพแวดล้อมการทำงานแบบปิด เช่นร้านค้าและสำนักงาน
- ในบริเวณที่พื้กแบบปิด เช่นบ้านที่อยู่ใกล้กับโรงนา, โรงแรม หอพัก
- ไม่ควรใช้งานกลางแจ้ง

ความปลอดภัยทั่วไป

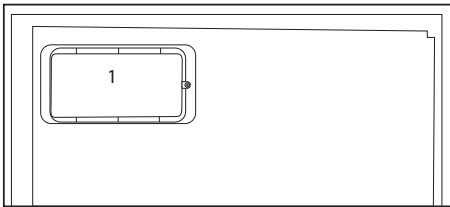
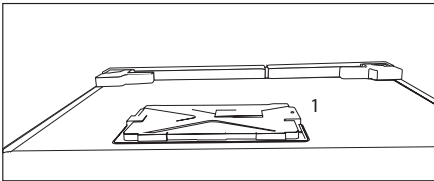
- เมื่อคุณต้องการกำจัดหรือทิ้งผลิตภัณฑ์ เราขอแนะนำให้คุณปรึกษากับผู้ให้บริการที่ได้รับการรับรองแล้ว เพื่อเรียนรู้ข้อมูลที่เป็นจำเป็นและชิ้นส่วนหลักที่อยู่ในความควบคุม
- ปรึกษาผู้ให้บริการที่ได้รับการรับรองแล้ว สำหรับทุกๆคำถามของคุณ และปัญหาเกี่ยวกับตู้เย็น อย่าแก้ปัญหาก่อนหรือให้บุคคลอื่นเข้ามาแก้ปัญหาก่อนโดยไม่ได้แจ้งผู้ให้บริการทราบถึงปัญหาที่เกิดขึ้น
- สำหรับผลิตภัณฑ์ที่มีช่องแช่แข็ง; อย่ากินไอศกรีมกรวยและก้อนน้ำแข็งทันทีหลังจากนำออกจากช่องแช่แข็ง! (ซึ่งอาจทำให้น้ำเยื่อเยือกของคุณถูกทำลายด้วยความเย็นจัด หรือที่เรียกว่า Frostbite)
- สำหรับผลิตภัณฑ์ที่มีช่องแช่แข็ง ห้ามใส่เครื่องดื่มเหลวบรรจุขวดและกระป๋องลงในช่องแช่แข็ง มิฉะนั้นอาจจะระเบิดได้

- อย่าสัมผัสอาหารแช่แข็งด้วยมือ; เพราะอาจติดมือของคุณได้
- ถอดปลั๊กตู้เย็นก่อนทำความสะอาด สะอาดหรือละลายน้ำแข็ง
- ห้ามใช้อุปกรณ์ทำความสะอาดที่เป็นไอและไอระเหยในการทำความสะอาดและการละลายน้ำแข็งของตู้เย็นของคุณ ในกรณีเช่นนี้ ไออาจสัมผัสกับชิ้นส่วนไฟฟ้าและทำให้เกิดการลัดวงจรหรือไฟฟ้าช็อตได้
- ห้ามใช้ชิ้นส่วนใดๆของตู้เย็นของคุณ เช่น ใช้ประตูตู้เย็นรองรับน้ำหนักสิ่งของอื่น หรือขึ้นเหยียบประตูตู้เย็น
- ห้ามใช้อุปกรณ์ไฟฟ้าภายในตู้เย็น
- ห้ามทำความเสียหายกับชิ้นส่วนที่มีสารทำความเย็นหมุนเวียน โดยการใส่สว่านเจาะหรือเครื่องมือตัดต่างๆ สารทำความเย็นอาจระเบิดเมื่อช่องแก๊สของเครื่องระเหย, ข้อต่อท่อ หรือพื้นผิวเคลือบถูกเจาะ ซึ่งสารความเย็นนี้จะทำให้เกิดอาการระคายเคืองต่อผิวหนังและการบาดเจ็บที่ตา
- อย่าบังหรือปิดกั้นช่องระบายอากาศในตู้เย็นของคุณด้วยวัสดุใด
- อุปกรณ์ไฟฟ้าต้องได้รับการซ่อมแซมโดยผู้ที่ได้รับการรับรองเท่านั้น การซ่อมแซมโดยบุคคลที่ไม่มีความสามารถจะความเสี่ยงต่อผู้ใช้งานได้
- ในกรณีที่เกิดความผิดพลาดหรือในระหว่างการบำรุงรักษาหรือซ่อมแซม ให้ถอดสายไฟของตู้เย็นโดยให้ปิดฟิวส์ตัวที่เข้ากับตู้เย็นหรือถอดปลั๊กไฟออกทันที
- อย่าดึงสายไฟเมื่อดึงปลั๊กออก
- ตรวจสอบให้แน่ใจว่าได้เก็บเครื่องดื่มมีแอลกอฮอล์สูงไว้ อย่างปลอดภัยด้วยฝาปิดที่แน่นและวางตั้งขึ้น
- ห้ามเก็บกระป๋องสเปรย์ที่มีสารไวไฟและระเบิดได้ในตู้เย็น
- ห้ามใช้อุปกรณ์เชิงกลหรือวิธีการอื่นเพื่อเร่งกระบวนการละลายน้ำแข็ง นอกเหนือจากที่แนะนำโดยผู้ผลิต
- ผลิตภัณฑ์นี้ไม่ได้มีจุดมุ่งหมายเพื่อใช้โดยบุคคลที่มีความผิดปกติทางกาย, ทางประสาทสัมผัส หรือมีความผิดปกติทางจิต หรือคนที่ไม่ได้รับการฝึกอบรม หรือไม่มีประสบการณ์ (รวมทั้งเด็ก) เว้นแต่บุคคลเหล่านั้นได้รับการดูแลโดยผู้ที่สามารถรับผิดชอบต่อความปลอดภัยของพวกเขาหรือผู้ที่จะให้คำแนะนำพวกเขาในการใช้สินค้าได้
- อย่าใช้ตู้เย็นที่ชำรุด ปรึกษากับตัวแทนผู้ให้บริการหากคุณมีข้อสงสัยใดๆ
- ความปลอดภัยทางด้านไฟฟ้าของตู้เย็นของคุณจะได้รับประกันเฉพาะในกรณีที่ระบบสายดินในบ้านของคุณเป็นไปตามมาตรฐานที่กำหนดเท่านั้น
- การให้ผลิตภัณฑ์สัมผัสกับฝน, หิมะ, แสงจากดวงอาทิตย์ และ

- ลม อาจเป็นอันตรายต่อความปลอดภัยทางระบบไฟฟ้า
- ติดต่อผู้ให้บริการที่ได้รับบริการ รับรอง เมื่อมีสายไฟเสียหาย เพื่อหลีกเลี่ยงอันตรายที่อาจจะเกิดขึ้นได้
- ห้ามเสียบปลั๊กตู้เย็นเข้ากับเต้าเสียบติดตั้งระหว่างการติดตั้ง มิฉะนั้นอาจเกิดความเสี่ยงต่อการเสียชีวิตหรือบาดเจ็บสาหัส
- ตู้เย็นนี้มีไว้สำหรับเก็บอาหารเท่านั้น ห้ามใช้เพื่อวัตถุประสงค์อื่นใด
- ฉลากที่ระบุข้อกำหนดทางเทคนิค ติดอยู่ที่ผนังด้านซ้ายภายในตู้เย็น
- อย่าเชื่อมต่อตู้เย็นกับระบบประหยัดพลังงาน เพราะอาจทำให้ตู้เย็นเกิดความเสียหายได้
- ถ้ามีแสงสีฟ้าบนตู้เย็น อย่ามองแสงสีน้ำเงินด้วยเครื่องมือออปติคัล
- สำหรับตู้เย็นที่ควบคุมด้วยตัวผู้ใช้งานเอง ให้รออย่างน้อย 5 นาที เพื่อเปิดสวิตช์ไฟตู้เย็น หลังจากไฟดับ
- คู่มือการปฏิบัติงานฉบับนี้ควรส่งมอบให้กับเจ้าของผลิตภัณฑ์คนใหม่ เมื่อใดให้ตู้เย็นกับผู้อื่น
- หลีกเลี่ยงการเกิดความเสียหายกับสายไฟ เมื่อขนย้ายตู้เย็น สายที่หักงออาจทำให้เกิดไฟไหม้ ห้ามวางวัตถุที่มีน้ำหนักมากบนสายไฟ อย่าสัมผัสปลั๊กด้วยมือเปียกเมื่อเสียบปลั๊กตู้เย็น
- อย่าเสียบปลั๊กไฟตู้เย็น ถ้าเต้ารับบนผนังหลวม
- เพื่อความปลอดภัย ไม่ควรฉีดพ่นน้ำไปที่บริเวณด้านในหรือด้านนอกของผลิตภัณฑ์
- อย่าฉีดพ่นสารที่มีก๊าซไวไฟ เช่น ก๊าซโพรเพน ไกล์ตู้เย็น เพื่อป้องกันความเสี่ยงจากไฟไหม้และการระเบิด
- อย่าวางภาชนะที่เต็มไปด้วยน้ำที่ด้านบนของตู้เย็น ในกรณีเกิดเพลิงไหม้อาจทำให้เกิดไฟดูดหรือไฟลุกได้
- อย่าใส่อาหารในตู้เย็นมากเกินไป หากมีอาหารเกินไป อาหารอาจตกลงมา และทำให้คนบาดเจ็บและทำให้ตู้เย็นเกิดความเสียหายเมื่อคุณเปิดประตู
- ห้ามวางวัตถุสิ่งของบนตู้เย็น มิฉะนั้นวัตถุเหล่านั้นอาจตกลงมาเมื่อคุณเปิดหรือปิดประตูตู้เย็น
- เนื่องจากต้องใช้อุณหภูมิที่แม่นยำ จึงควรเก็บวัดขึ้น ยาที่ไวต่อความร้อน และวัสดุทางวิทยาศาสตร์ และวัสดุอื่น ๆ ไว้ในตู้เย็น
- หากไม่ใช้งานตู้เย็นเป็นเวลานาน ควรถอดปลั๊กตู้เย็นออก ปัญหาที่อาจเกิดกับสายไฟ อาจเป็นสาเหตุทำให้เกิดไฟไหม้ได้
- ควรทำความสะอาดปลายปลั๊กอย่างสม่ำเสมอด้วยผ้าแห้ง มิฉะนั้นอาจทำให้เกิดประกายไฟได้
- ตู้เย็นอาจขยับได้หากขาที่ปรับได้ไม่ได้อยู่ในตำแหน่งที่มั่นคงอย่าง

เหมาะสมบนพื้น ขาดังปรับได้ที่ วางบนพื้นอย่างมั่นคงสามารถ

- เมื่อขนย้ายตู้เย็น อย่าถือที่ตาม จับประตู มิฉะนั้นตู้เย็น อาจสะบัดได้
- เมื่อคุณต้องวางผลิตภัณฑ์ถัดจาก ตู้เย็นหรือตู้แช่แข็งอีกเครื่อง ระยะห่างระหว่างอุปกรณ์เครื่องใช้ควรมีอย่างน้อย 8 ซม. มิฉะนั้นผนัง ด้านข้างที่อยู่ติดจากกันอาจขึ้นได้
- ห้ามใช้ผลิตภัณฑ์นี้ในขณะที่ ช่องที่อยู่ด้านบนหรือด้านหลัง ของผลิตภัณฑ์ซึ่งมีแผงวงจร อิเล็กทรอนิกส์ (มีฝาปิดกล่อง แผงวงจรอิเล็กทรอนิกส์) เปิดไว้ อยู่



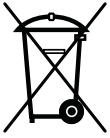
สำหรับตู้เย็นรุ่นที่มีตู้จ่ายน้ำดื่ม;

- แรงดันสำหรับช่องป้อนน้ำเย็น จะมีได้สูงสุดถึง 90 psi (6.2 บาร์) ถ้าแรงดันน้ำของคุณเกิน 80 psi (5.5 บาร์) ให้ใช้วาล์วควบคุมแรงดันในท่อน้ำหลักของคุณ หากคุณไม่ทราบวิธีการตรวจสอบแรงดันน้ำ ให้ขอความช่วยเหลือจากช่างประปามีอาชีพ
- หากมีความเสี่ยงต่อการเกิดค้อนน้ำ (water hammer effect) ในการติดตั้งของคุณ ให้ใช้อุปกรณ์ป้องกันค้อนน้ำในการติดตั้งเสมอ ปรีกษาช่างประปามีอาชีพหากคุณไม่แน่ใจว่า จะมีการเกิดค้อนน้ำในการติดตั้งตู้เย็นของคุณหรือไม่
- อย่าติดตั้งบนช่องจ่ายน้ำร้อน ใช้ ความระมัดระวังในความเสี่ยงต่อการแข็งตัวของน้ำ ช่วง อุณหภูมิของน้ำที่ใช้งานคือ ต่ำสุดที่ 33°F (0.6°C) และสูงสุดที่ 100°F (38°C)
- ใช้เฉพาะน้ำดื่มเท่านั้น

ความปลอดภัยสำหรับเด็ก

- หากประตูมีที่ล็อค ควรเก็บกุญแจ ให้พ้นมือเด็ก
- เด็กต้องได้รับการดูแลเพื่อ ป้องกันไม่ให้พวกเขาเข้ามาเล่น หรือทำให้ตู้เย็นเสียหาย

การปฏิบัติตามข้อกำหนด WEEE และการกำจัด ผลิตภัณฑ์ของเสีย



ผลิตภัณฑ์นี้สอดคล้องกับข้อ
บังคับ EU WEEE Directive
(2012/19 / EU) ผลิตภัณฑ์
นี้มีสัญลักษณ์การกำจัดหมวดหมู่
ขยะของเสียสำหรับอุปกรณ์
ไฟฟ้าและอิเล็กทรอนิกส์

(WEEE)

ผลิตภัณฑ์นี้ได้รับการผลิตด้วยชิ้นส่วน
และวัสดุที่มีคุณภาพสูงซึ่งสามารถใช้ซ้ำ
ได้และเหมาะสำหรับการรีไซเคิล ดังนั้น
ห้ามทิ้งผลิตภัณฑ์รวมกับขยะปกติเมื่อ
หมดอายุการใช้งาน ให้นำผลิตภัณฑ์
ของเสียไปเก็บรวบรวมเพื่อการรีไซเคิล
สำหรับอุปกรณ์ไฟฟ้าและอิเล็กทรอนิกส์
โปรดปรึกษาเจ้าหน้าที่ท้องถิ่นเพื่อเรียน
รู้จุดรวบรวมที่อยู่ใกล้ที่สุด ช่วยปกป้อง
สิ่งแวดล้อมและทรัพยากรธรรมชาติด้วย
การรีไซเคิลผลิตภัณฑ์ที่ใช้แล้ว และ
เพื่อความปลอดภัยของเด็ก ให้ตัดสายไฟ
และ ทำลายกลไกการล็อคของประตู ถ้า
มี เพื่อไม่ให้เครื่องใช้ทำงานได้ ก่อนที่จะ
ทิ้งผลิตภัณฑ์

ข้อมูลบรรจุภัณฑ์

วัสดุบรรจุภัณฑ์ของผลิตภัณฑ์ ได้ถูก
ผลิตขึ้นจากวัสดุรีไซเคิล ตามกฎระเบียบ
ด้านสิ่งแวดล้อมแห่งชาติ ห้ามทิ้งวัสดุ
บรรจุภัณฑ์พร้อมกับขยะในครัวเรือนหรือ
ขยะอื่น ให้นำวัสดุบรรจุภัณฑ์ไปยังจุด
รวบรวมขยะวัสดุบรรจุภัณฑ์ที่กำหนดให้
โดยหน่วยงานท้องถิ่น

อย่าลืมว่า...

วัสดุที่ถูกนำมาใช้หมุนเวียน เป็นสิ่งที่
ขาดไม่ได้สำหรับธรรมชาติและ ความ

มั่งคั่งแห่งทรัพยากรในประเทศชาติของ
เรา หากคุณต้องการมีส่วนร่วมในการ
ประเมินวัสดุบรรจุภัณฑ์ใหม่ คุณสามารถ
ปรึกษากับองค์กรด้านสิ่งแวดล้อมของ
คุณหรือเทศบาลที่คุณอาศัยอยู่

คำเตือนเกี่ยวกับ HC

หากระบบทำความเย็นในตัวเย็นของ
คุณมีสาร R600a:

ก๊าซนี้เป็นสารไวไฟ ดังนั้นควรระมัดระวัง
ที่จะไม่ทำความเสียหายให้กับระบบ
ทำความเย็นและท่อ ระหว่างการใช้และ
การขนส่งในกรณีที่เกิดความเสียหายให้
เก็บผลิตภัณฑ์ของคุณห่างจากแหล่งที่
อาจก่อให้เกิดไฟซึ่งอาจทำให้ผลิตภัณฑ์
ติดไฟได้และควรระบายอากาศในห้องที่
วางเครื่องไว้

คุณไม่ต้องสนใจคำเตือนนี้หากระบบ
ทำความเย็นในตัวเย็น มีสาร R134a

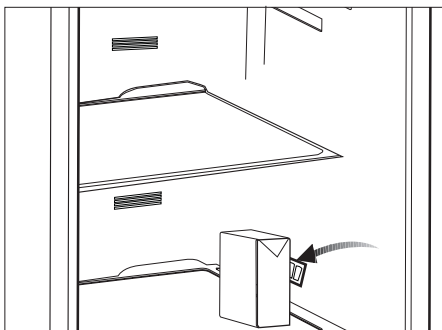
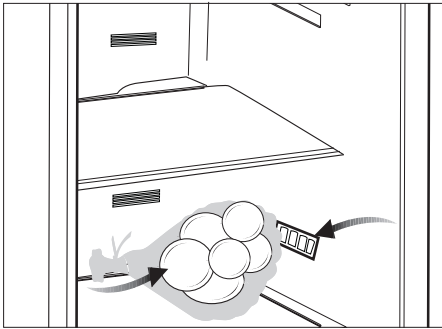
ประเภทของก๊าซที่ใช้ในผลิตภัณฑ์ ได้
ระบุไว้ในฉลากที่อยู่ทางด้านซ้ายของ
ผนังภายในตู้เย็น อย่าทิ้งผลิตภัณฑ์ใน
กองไฟเพื่อที่จะกำจัด

คำแนะนำสำหรับช่องเก็บอาหารสด

*อาจไม่ได้มีทุกรุ่น

อย่าให้อาหารสัมผัสเซ็นเซอร์อุณหภูมิในช่องอาหารสด เพื่อให้ช่องอาหารสดมีอุณหภูมิในการจัดเก็บที่ดีเยี่ยม ควรหลีกเลี่ยงไม่ให้เซ็นเซอร์สัมผัสกับอาหาร

อย่าวางอาหารที่ร้อนในตู้เย็น



สิ่งที่ควรปฏิบัติเพื่อประหยัดพลังงาน

- อย่าปล่อยให้ประตูตู้เย็นของคุณเปิดอยู่เป็นเวลานาน
- อย่าใส่อาหารร้อนหรือเครื่องดื่มในตู้เย็นของคุณ

- อย่าปล่อยให้ประตูตู้เย็นของคุณเปิดอยู่เป็นเวลานาน
- อย่าติดตั้งตู้เย็นภายใต้แสงแดดโดยตรงหรือใกล้เครื่องใช้ที่แผ่ความร้อน เช่น เตาอบ, เครื่องล้างจาน หรือเครื่องทำความร้อน และ ควรเก็บตู้เย็นไว้ห่างจากแหล่งกำเนิดความร้อน อย่างน้อย 30 ซม. และห่างจากเตาอบไฟฟ้าอย่างน้อย 5 ซม.
- ควรใส่ใจในการเก็บอาหารในภาชนะที่ปิดสนิท
- สำหรับผลิตภัณฑ์ที่มีช่องแช่แข็งคุณสามารถเก็บอาหารได้มากที่สุดในช่วงแช่แข็งเมื่อถอดชั้นวางหรือลิ้นชักแช่แข็งออก ค่าการใช้พลังงานที่ระบุไว้สำหรับตู้เย็นของคุณ ถูกพิจารณาโดยการถอดชั้นวางหรือลิ้นชักช่องแช่แข็งออก และอยู่ภายใต้สภาพที่มีอาหารใส่ในตู้เย็นมากที่สุด ไม่มีอันตรายนใด ๆ ที่จะใช้ชั้นวางหรือลิ้นชักเก็บอาหารตามรูปทรงและขนาดของอาหารที่จะแช่แข็ง
- การละลายอาหารแช่แข็งในตู้เย็นจะช่วยทั้งประหยัดพลังงานและรักษาคุณภาพอาหาร

เครื่องใช้ไฟฟ้าที่มีวัตตสูงเพื่อใช้ในครัวเรือนแลพสำหรับการใช้งานในลักษณะคล้ายคลึงกัน เช่น

-พื้นที่ห้องครัวของพนักงานในร้านค้า, สำนักงานและสภาพแวดล้อมการทำงานอื่น ๆ ;

-บ้านไร่และในโรงแรมที่มีตู้เย็นให้บริการลูกค้า, โมเต็ลและสภาพแวดล้อมประเภทที่พักอาศัยอื่น ๆ ;

-สภาพแวดล้อมที่พักพร้อมอาหารเข้า

-การบริการอาหารในงานต่างๆ และการใช้งานเชิงพาณิชย์ที่ไม่ใช่การค้าปลีก

3 การติดตั้งตู้เย็น

⚠ ในกรณีที่ผู้ไม่มีได้ตระหนักและปฏิบัติตามคำแนะนำที่ระบุในคู่มือการใช้งานนี้ผู้ผลิตจะไม่รับผิดชอบต่อกรณีใดๆ

จุดที่ต้องระวังเมื่อเคลื่อนย้ายตู้เย็น

1. ควรถอดปลั๊กตู้เย็นของคุณออกจากนั้นควรรักษาสิ่งที่อยู่ในตู้เย็นออกให้หมดและทำความสะอาด ก่อนที่จะขนย้ายตู้เย็นของคุณ

2. ก่อนที่จะนำตู้เย็นใส่ในบรรจุภัณฑ์ใหม่ ควรยึดชั้นวาง, อุปกรณ์เสริม, ช่องเก็บขนมขบเคี้ยว และอื่นๆ ด้วยเทปกาวยึดติดแน่นเพื่อป้องกันการกระแทกกล่องบรรจุภัณฑ์ควรถูกรัดกับเทปหนาหรือเชือกกล้วย และต้องปฏิบัติตามกฎการขนส่งบนบรรจุภัณฑ์อย่างเคร่งครัด

3. ควรเก็บกล่องบรรจุหีบห่อและวัสดุโฟมสำหรับการขนส่งสำหรับใช้ในการขนส่งหรือเคลื่อนย้ายในอนาคต

ก่อนที่คุณจะเริ่มใช้ตู้เย็น ให้ตรวจสอบสิ่งต่อไปนี้:

1. ทำความสะอาดบริเวณด้านในของตู้เย็นตามที่แนะนำในส่วน "การบำรุงรักษาและทำความสะอาด"

2. เสียบปลั๊กของตู้เย็นเข้ากับเต้ารับบนผนัง เมื่อประตูตู้เย็นเปิดขึ้น หลอดไฟภายในตู้เย็นจะสว่าง

3. เมื่อคอมเพรสเซอร์เริ่มทำงาน ก็จะได้ยินเสียง สารของเหลวและก๊าซที่ถูกปิดผนึกภายในระบบทำความเย็นอาจทำให้เกิดเสียงดังขึ้น แม้ว่าคอมเพรสเซอร์จะไม่ทำงาน และสิ่งเหล่านี้ถือว่าเป็นเรื่องปกติ

4. ขอบด้านหน้าของตู้เย็นอาจอุ่นขึ้น นี่เป็นสิ่งปกติ พื้นที่บริเวณนี้ได้รับการออกแบบมาให้อุ่น เพื่อหลีกเลี่ยงการควบแน่น

การเชื่อมต่อระบบไฟฟ้า

เชื่อมต่อตู้เย็นของคุณกับเต้ารับที่ต่อสายดินซึ่งได้รับการป้องกันโดยฟิวส์ที่มีความจที่เหมาะสม

สิ่งสำคัญคือ:

การเชื่อมต่อต้องเป็นไปตามข้อกำหนดของประเทศนั้นๆ

- ต้องสามารถเข้าถึงเพื่อหีบจับปลั๊กไฟได้ หลังติดตั้งแล้ว
- ความปลอดภัยทางไฟฟ้าของตู้เย็นของคุณจะได้รับการประกันเฉพาะเมื่อระบบสายดินในบ้านของคุณเป็นไปตามมาตรฐานเท่านั้น
- แรงดันไฟฟ้าที่ระบุบนฉลากอยู่ที่ด้านซ้ายตู้เย็นของคุณ ควรเท่ากับแรงดันไฟฟ้าเครือข่ายของคุณ
- ห้ามใช้สายพ่วงและปลั๊กหลายตัวในการเชื่อมต่อ

⚠ ต้องเปลี่ยนสายไฟที่ชำรุดโดยช่างไฟฟ้าที่มีคุณสมบัติเหมาะสม

⚠ ห้ามใช้ผลิตภัณฑ์ก่อนที่จะซ่อมแซม! มีความเสี่ยงที่จะเกิดไฟฟ้าช็อต!

การกำจัดบรรจุภัณฑ์

วัสดุบรรจุภัณฑ์อาจเป็นอันตรายต่อเด็ก เก็บวัสดุบรรจุภัณฑ์ให้พ้นมือเด็กหรือกำจัดทิ้งโดยจัดประเภทตามคำแนะนำในการกำจัดของเสียที่หน่วยงานท้องถิ่นของคุณกำหนดไว้ อย่าทิ้งรวมกับขยะที่บ้านปกติ ให้ทิ้งวัสดุบรรจุภัณฑ์ที่จัดรับบรรจุภัณฑ์ที่กำหนดให้โดยเจ้าหน้าที่ท้องถิ่น

บรรจุภัณฑ์ของตู้เย็นของคุณผลิตจากวัสดุรีไซเคิล

การกำจัดหิ้งตู้เย็นเก่าของคุณ

หิ้งตู้เย็นเก่าโดยไม่ทำให้เกิดอันตรายต่อสิ่งแวดล้อม

- คุณอาจปรึกษาตัวแทนจำหน่ายที่ได้รับบริการรับรอง หรือศูนย์รวบรวมขยะของเทศบาลของคุณ เกี่ยวกับการกำจัดหิ้งตู้เย็นของคุณ

ก่อนที่จะกำจัดหิ้งตู้เย็น ให้ถอดปลั๊กไฟออก และหากมีประตูล็อคอยู่ ให้ปิดการใช้งานตัวล็อคประตู เพื่อป้องกันเด็กจากอันตราย

การวางตำแหน่งและติดตั้งตู้เย็น

⚠ ถ้าประตูทางเข้าห้องที่ตู้เย็นติดตั้งอยู่มีขนาดไม่กว้างพอที่ตู้เย็นจะเข้าผ่านได้ ให้โทรติดต่อไปที่ศูนย์บริการที่ได้รับบริการรับรอง เพื่อถอดประตูตู้เย็นออกและเลื่อนด้านข้างของตู้เย็นเข้าผ่านประตู

1. ติดตั้งตู้เย็นของคุณในจุดพื้นที่ที่สามารถใช้งานได้ง่าย

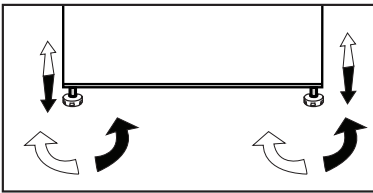
2. เก็บตู้เย็นให้ห่างจากแหล่งความร้อน, บริเวณที่ชื้น และการสัมผัสกับแสงแดดโดยตรง

3. ต้องมีการระบายอากาศที่เหมาะสมรอบตู้เย็นของคุณ เพื่อให้ได้การทำงานที่มีประสิทธิภาพ ถ้าตู้เย็นถูกวางไว้ในช่องผนัง ต้องมีระยะห่างอย่างน้อย 5 ซม. จากเพดาน และอย่างน้อย 5 ซม. จากผนัง ห้ามวางผลิตภัณฑ์บนวัสดุอย่างเช่น เสื่อที่เป็นพรม หรือพื้นพรม

4. วางตู้เย็นไว้บนพื้นผิวที่เรียบเพื่อป้องกันการกระแทก

การปรับขาตั้ง

หากตู้เย็นของคุณถูกวางไม่สมดุล คุณสามารถปรับตู้เย็นได้โดยการปรับขาตั้งหน้าตามที่แสดงในภาพ มุมที่ขาติดตั้งอยู่จะลดลง เมื่อคุณหมุนไปตามทิศทางของลูกศรสีดำ และยกขึ้นเมื่อคุณหมุนไปในทิศทางตรงกันข้าม ขอความช่วยเหลือจากใครสักคนในการยกตู้เย็นขึ้นเล็กน้อย จะช่วยอำนวยความสะดวกในการปรับขาตั้งนี้



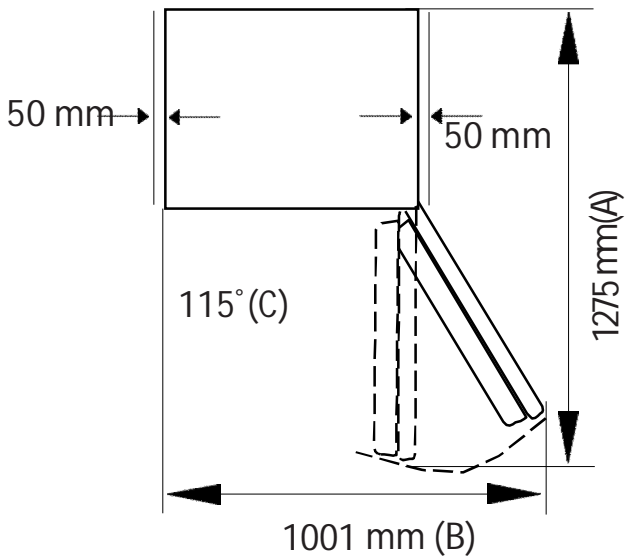
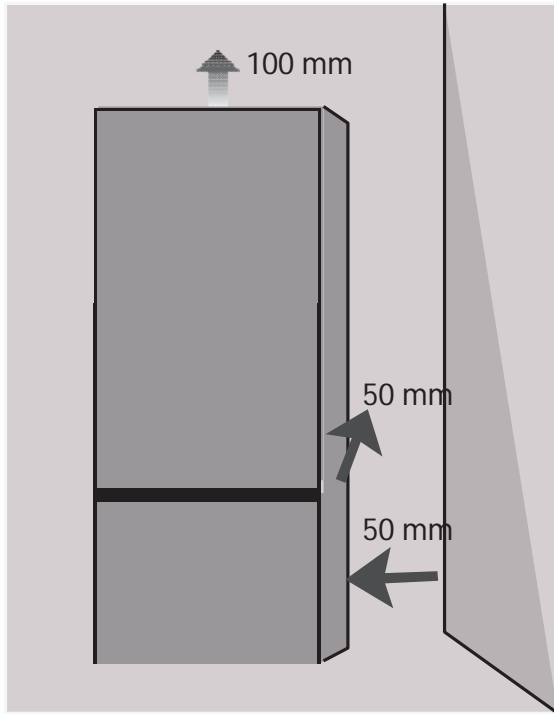
การแจ้งเตือนประตูเปิดทิ้งไว้

***อาจไม่ได้มีทุกรุ่น**

เสียงสัญญาณเตือนจะดังขึ้นเมื่อประตูของตู้เย็นเปิดทิ้งไว้อย่างน้อย 1 นาที เสียงเตือนนี้จะหยุดลง เมื่อปิดประตูหรือกดปุ่มใด ๆ บนจอแสดงผล (ถ้ามี)

การเปลี่ยนหลอดไฟ

หากต้องการเปลี่ยนหลอดไฟ / LED ที่ใช้สำหรับการส่องสว่างตู้เย็นของคุณ ให้โทรติดต่อผู้ให้บริการที่ได้รับการรับรอง หลอดไฟที่ใช้ในตู้เย็นนี้ไม่เหมาะสำหรับการส่องสว่างในห้องที่อยู่อาศัยในครัวเรือน วัตถุประสงค์ของหลอดไฟนี้คือ เพื่อช่วยให้ผู้ใช้ใส่อาหารในช่องแช่เย็น หรือในช่องแช่แข็ง ได้อย่างปลอดภัยและสะดวกสบาย หลอดไฟที่ใช้ในเครื่องนี้ต้องทนต่อสภาพทางกายภาพที่รุนแรงเช่น อุณหภูมิต่ำกว่า -20°C (เฉพาะกล่องและช่องแช่แข็งแบบตั้งตรง)



4 การเตรียมพร้อมใช้งาน

- ควรติดตั้งตู้เย็น/ตู้แช่แข็งของคุณให้อยู่ห่างจากแหล่งความร้อนอย่างน้อย 30 ซม. เช่นเตาแก๊สไฟฟ้า, เตาอบ, เครื่องทำความร้อนส่วนกลาง และเตาไฟ และห่างจากเตาอบไฟฟ้าอย่างน้อย 5 ซม. และไม่ควรอยู่ในที่ที่มีแสงแดดส่องโดยตรง
- โปรดตรวจสอบให้แน่ใจว่าได้ทำความสะอาดภายในช่องแช่เย็น/ช่องแช่แข็งอย่างทั่วถึง
- หากต้องการติดตั้งตู้เย็นสองตัว โดยวางไว้เคียงข้างกัน ควรมีระยะห่างระหว่างกันอย่างน้อย 2 ซม.
- เมื่อคุณใช้ตู้เย็นเป็นครั้งแรก โปรดปฏิบัติตามคำแนะนำต่อไปนี้ในช่วงหกชั่วโมงแรก
- ไม่ควรเปิดประตูบ่อยๆ
- ต้องให้ตู้เย็นทำงานโดยที่ไม่มีอาหารอยู่ในตู้เย็น
- อย่าถอดปลั๊กไฟออกจากตู้เย็น หากเกิดไฟฟ้าช็อตขงขึ้นซึ่งคุณไม่สามารถควบคุมได้ โปรดดูคำเตือนในส่วน “แนวทางแก้ไขปัญหาที่แนะนำ”
- ตะกร้า / ลินซ์ที่ใหญ่มากกับช่องแช่เย็น จะต้องใช้งานในระดับการใช้พลังงานที่ต่ำ และเพื่อให้มีประสิทธิภาพการเก็บรักษาที่ดีที่สุด
- อาหารที่สัมผัสกับเซ็นเซอร์อุณหภูมิในช่องแช่แข็ง อาจเพิ่มการใช้พลังงานของเครื่อง ดังนั้นการหลีกเลี่ยงมิให้อาหารสัมผัสกับเซ็นเซอร์
- ตู้เย็นนี้ได้ถูกออกแบบเพื่อให้ทำงานที่อุณหภูมิแวดล้อมได้สูงถึง 43°C (90°F) แม้ว่าอุณหภูมิแวดล้อมลดต่ำลงถึง -15°C, อาหารแช่แข็ง

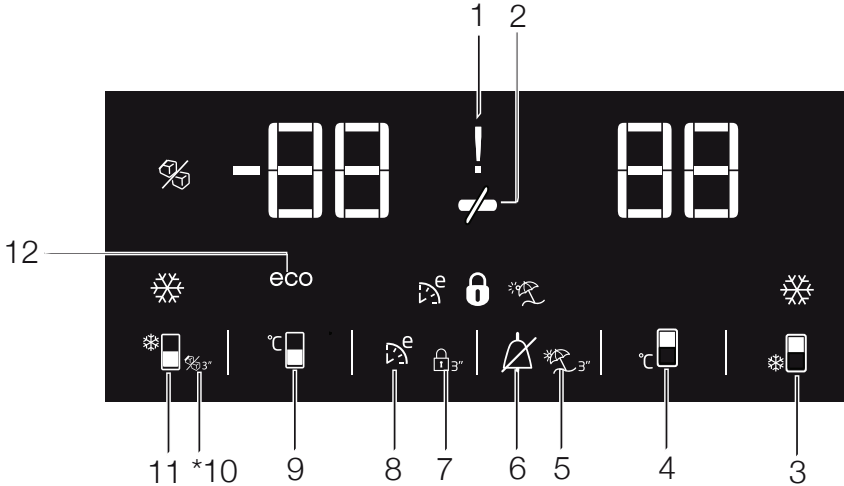
ในช่องแช่แข็งไม่ละลาย ซึ่งต้องขอขอบคุณระบบควบคุมอุณหภูมิแบบอิเล็กทรอนิกส์ที่ล้ำหน้า สำหรับการติดตั้งครั้งแรก ไม่ควรวางตู้เย็นในสภาพอุณหภูมิแวดล้อมต่ำ เนื่องจากช่องแช่แข็งไม่สามารถลดต่ำลงมาที่อุณหภูมิการทำงานมาตรฐาน เมื่อถึงจุดการทำงานอย่างต่อเนื่อง คุณสามารถเคลื่อนย้ายตู้เย็นไปยังพื้นที่อื่นได้ ดังนั้น ต่อจากนี้ไป คุณสามารถวางตู้เย็นในโรงจอดรถ หรือในห้องที่ไม่มีอาหารให้ทำความร้อน โดยไม่ต้องกังวลว่าอาหารแช่แข็งจะเน่าเสีย อย่างไรก็ตาม อุณหภูมิต่ำดังกล่าวมักทำให้เกิดการแข็งตัวของอาหารที่อยู่ในช่องแช่เย็นได้ ดังนั้น โปรดบริโภคอาหารต่างๆในช่องแช่เย็นตามความต้องการที่จำเป็น เมื่ออุณหภูมิแวดล้อมกลับมาสู่ปกติ คุณอาจเปลี่ยนการตั้งค่าปุ่มตามความต้องการของคุณ

- หากอุณหภูมิแวดล้อมต่ำกว่า 0°C อาหารในช่องแช่เย็นจะแข็งตัว ดังนั้น เราแนะนำไม่ให้ใช้ช่องแช่เย็นในอุณหภูมิแวดล้อมที่ต่ำเช่นนั้น คุณอาจใช้ช่องแช่แข็งได้ตามปกติ
- ในบางรุ่น แผงควบคุมจะปิดลงโดยอัตโนมัติ 5 นาทีหลังจากปิดประตู และจะทำงานอีกครั้งเมื่อประตูเปิดหรือมีการกดปุ่มใด ๆ
- เนื่องจากการเปลี่ยนแปลงของอุณหภูมิอันเนื่องมาจากการเปิด / ปิดประตูตู้เย็นระหว่างการทำงาน การเกิดการควบแน่นบนชั้นวางที่แผงประตู / ที่ในช่องตู้เย็นปกติ และลักษณะใสอาหารที่เป็นแก้วนั้น ถือเป็นเรื่องปกติ

5 การใช้งานตู้เย็น

แผงหน้าจอแสดงผล (จอด้านนอก) *ตัวล็อกเสริม

แผงหน้าจอแสดงผลให้คุณสามารถปรับตั้งอุณหภูมิและควบคุมการทำงานอื่นๆที่เกี่ยวข้องกับตู้เย็นโดยไม่ต้องเปิดประตูตู้เย็น เพียงกดตัวอักษรระบบบนปุ่มที่เกี่ยวข้องกับการตั้งค่าฟังก์ชันการใช้งาน



1. ไฟดับ / อุณหภูมิสูง / การแจ้งเตือนข้อผิดพลาด

เครื่องหมาย (⚡) จะสว่างขึ้นในระหว่างไฟดับ / อุณหภูมิสูง / การแจ้งเตือนข้อผิดพลาด ในระหว่างที่ไฟดับอย่างต่อเนื่อง อุณหภูมิสูงสุดที่มีอยู่ในช่องแช่แข็งจะกะพริบบนจอดิจิทัล หลังจากการตรวจสอบอาหารที่อยู่ในช่องแช่แข็ง (🔒) ให้กดหยุดแจ้งเตือนเพื่อยกเลิกการแจ้งเตือน โปรดดูรายละเอียดในส่วน "คำแนะนำสำหรับการแก้ปัญหา" ในคู่มือการใช้งานของคุณ หากคุณเห็นว่าเครื่องหมายแจ้งเตือนสว่างขึ้น

2. ฟังก์ชันช่วยประหยัดพลังงาน (ไม่ได้แสดงผล):

หากประตูตู้เย็นถูกปิดเป็นระยะเวลานาน ฟังก์ชันช่วยประหยัดพลังงานจะทำงานอัตโนมัติและเครื่องหมายแสดงการประหยัดพลังงานจะสว่างขึ้น (⚡) เมื่อฟังก์ชันช่วยประหยัดพลังงานทำงาน เครื่องหมายทั้งหมดที่อยู่บนหน้าจอนอกจากเครื่องหมายแสดงการประหยัดพลังงาน จะปิดลง เมื่อฟังก์ชันช่วยประหยัดพลังงานทำงาน หากกดปุ่มใดปุ่มหนึ่ง หรือเปิดประตูตู้เย็น ฟังก์ชันช่วยประหยัดพลังงานจะยกเลิกการทำงาน และเครื่องหมายที่แสดงบนหน้าจอจะกลับสู่สภาพปกติ

ภาพที่แสดงในคู่มือการใช้งานนี้ เป็นแผนภาพทั่วไปและอาจไม่สอดคล้องตรงกับผลิตภัณฑ์ของคุณทั้งหมด หากมีชิ้นส่วนที่ไม่ได้รวมอยู่ในผลิตภัณฑ์ที่คุณซื้อมาแล้ว แสดงว่าชิ้นส่วนนั้นใช้กับรุ่นอื่น

ฟังก์ชันประหยัดพลังงานจะทำงานในระหว่างการจัดส่งตู้เย็นจากโรงงาน และไม่สามารถยกเลิกได้

3. ฟังก์ชันแช่เย็นด่วน

ปุ่มนี้มีทำหน้าที่สองอย่าง ให้กดปุ่มสั้นๆ เพื่อเปิดหรือปิดการทำงานแช่เย็นแบบรวดเร็ว ตัวแสดงสถานะการทำงานแช่เย็นแบบรวดเร็วจะปิดและตู้เย็นจะกลับสู่การตั้งค่าปกติ (●■)

i	ใช้ฟังก์ชันการทำงานแช่เย็นแบบรวดเร็วเมื่อคุณต้องการทำความเย็นอาหารที่เก็บในช่องแช่เย็นด่วน หากคุณต้องการทำความเย็นอาหารสดปริมาณมาก ให้เปิดฟังก์ชันนี้ทำงาน ก่อนวางอาหารในตู้เย็น
i	ถ้าคุณไม่ยกเลิกฟังก์ชันนี้ ระบบทำความเย็นแบบรวดเร็วจะยกเลิกตัวเองอัตโนมัติหลังจาก 1 ชั่วโมงหรือเมื่ออุณหภูมิในช่องแช่เย็นถึงระดับที่กำหนดไว้

i	ถ้าคุณกดปุ่มการทำงานแช่เย็นแบบรวดเร็วในช่วงสั้นๆ ระบบการป้องกันวงจรอิเล็กทรอนิกส์จะทำงานและคอมเพรสเซอร์จะไม่เริ่มทำงานในทันที
----------	---

i	ฟังก์ชันนี้จะไม่ทำงานต่อเมื่อระบบไฟฟ้ากลับคืนสู่ปกติหลังจากระบบไฟฟ้าขัดข้อง
----------	---

4. ปุ่มตั้งอุณหภูมิในช่องแช่เย็น

กดปุ่มเพื่อตั้งอุณหภูมิสำหรับช่องแช่เย็นที่ 8, 7, 6, 5, 4, 3, 2, 8... ตามลำดับ กดปุ่มเพื่อตั้งอุณหภูมิสำหรับช่องแช่เย็น

ที่ระดับค่าที่ต้องการ (c■)

5. ฟังก์ชันพักทำความเย็น

เพื่อเปิดการทำงานฟังก์ชันพักทำความเย็น, ให้กดปุ่มนี้ (☂) ค้างไว้ 3 วินาทีแล้วไฟแสดงสถานะ (☂) โหมดพักทำความเย็นจะทำงาน เมื่อฟังก์ชันพักทำความเย็นทำงาน เครื่องหมาย "--" จะแสดงบนจอแสดงอุณหภูมิช่องแช่เย็น และจะไม่มีการทำงานแช่เย็นเกิดขึ้นในช่องแช่เย็น มันไม่เหมาะที่จะเก็บอาหารในช่องแช่เย็นเมื่อฟังก์ชันนี้ทำงานอยู่ ช่องเก็บอาหารช่องอื่นจะยังคงมีความเย็นจากอุณหภูมิที่กำหนดไว้ หากต้องการยกเลิกฟังก์ชันนี้ ให้กดปุ่มพักทำความเย็นอีกครั้ง

6. การปิดเสียงสัญญาณแจ้งเตือน

ในกรณีมีเสียงสัญญาณเตือนไฟฟ้าขัดข้อง / อุณหภูมิสูง หลังจากตรวจดูอาหารในช่องแช่แข็งแล้ว ให้กดปุ่ม(▲) เพื่อปิดเสียงสัญญาณแจ้งเตือน

7. การล๊อคปุ่ม

กดปุ่มล๊อคปุ่มควบคุม (⊕) พร้อมกัน 3 วินาที สัญลักษณ์ล๊อคปุ่ม (⊕) จะติดสว่างขึ้น แล้วโหมดล๊อคปุ่มควบคุมก็จะทำงาน และถ้ากดปุ่มล๊อคปุ่มควบคุมพร้อมกัน 3 วินาที อีกครั้ง สัญลักษณ์ล๊อคปุ่มจะดับลง แล้วจะออกจากโหมดล๊อคปุ่มควบคุม

กดปุ่มล๊อคปุ่มควบคุม ถ้าคุณต้องการที่จะป้องกันจากการปรับเปลี่ยนอุณหภูมิตู้เย็นที่ตั้งไว้ (⊕)

8. ระบบ Eco fuzzy

กดปุ่ม eco fuzzy ค้างไว้ 1 วินาที เพื่อเปิดฟังก์ชัน eco fuzzy ให้ทำงาน ตู้เย็นจะเริ่มทำงานในโหมดประหยัดพลังงานมากที่สุดภายใน 6 ชั่วโมงต่อมา เป็นอย่างน้อย และไฟแสดงสถานะการใช้งานแบบประหยัดพลังงานจะสว่างขึ้นเมื่อ

ฟังก์ชันนี้ทำงาน (🔌) กดปุ่ม eco fuzzy ค้างไว้ 3 วินาที เพื่อปิดฟังก์ชัน ecofuzzy ไฟแสดงสถานะนี้จะติดสว่างหลังจาก 6 ชั่วโมง เมื่อ eco fuzzy ทำงาน

9. ปุ่มตั้งอุณหภูมิในห้องแช่แข็ง

กดปุ่มนี้เพื่อตั้งอุณหภูมิของช่องแช่แข็ง ที่ -16, -17, -18, -19, -20, -22, -24, -16... ตามลำดับ กดปุ่มนี้เพื่อตั้งอุณหภูมิ ดังกล่าวตามค่าที่คุณต้องการ (🔌)

10. ฟังก์ชันทำน้ำแข็ง Icematic (ตัวเลือกเสริม)

ฟังก์ชันนี้แสดงสถานะการทำน้ำแข็งไฟ ไม่ว่าจะเปิดหรือปิด (🔌) ถ้าเป็นสถานะ เปิด การทำน้ำแข็งจะไม่ทำงาน หากคุณ ต้องการให้ระบบทำน้ำแข็งทำงานอีกครั้ง ให้กดปุ่มเปิด-ปิดนี้ค้างไว้ 3 วินาที

i น้ำที่ไหลจากช่องเก็บน้ำจะหยุดไหล เมื่อเลือกฟังก์ชันนี้ให้ทำงาน อย่างไรก็ตาม น้ำแข็งที่ทำไว้ก่อนหน้าสามารถนำออกมาจากระบบทำน้ำแข็ง Icematic ได้

11. ปุ่มฟังก์ชันการแช่แข็งรวดเร็ว

กดปุ่มนี้เพื่อเปิดหรือปิดการทำงานของฟังก์ชันการแช่แข็งอย่างรวดเร็ว เมื่อคุณเปิดฟังก์ชันนี้ให้ทำงาน ช่องแช่แข็งจะเย็นถึงระดับอุณหภูมิต่ำกว่าที่ตั้งไว้ (🔌)

i ใช้ฟังก์ชันการแช่แข็งอย่างรวดเร็ว เมื่อคุณต้องการแช่แข็งอาหารที่วางอยู่ในช่องเย็นอย่างรวดเร็ว ถ้าคุณต้องการแช่แข็งอาหารสดในปริมาณมาก ให้เปิดฟังก์ชันนี้ทำงานก่อนวางอาหารในตู้เย็น

i ถ้าคุณไม่ต้องการยกเลิกฟังก์ชันนี้ ฟังก์ชันการแช่แข็งอย่างรวดเร็วจะยกเลิกการทำงานอัตโนมัติหลังจาก 24 ชั่วโมงหรือความเย็นในช่องแช่เย็นถึงอุณหภูมิที่กำหนดไว้

i ฟังก์ชันนี้ไม่สามารถกลับมาทำงานต่อได้ เมื่อระบบไฟฟ้าเป็นปกติหลังจากเกิดความขัดข้อง

12. ตัวบ่งชี้การใช้งานแบบประหยัด

ตัวบ่งชี้นี้จะแสดงให้รู้ว่า ตู้เย็นกำลังทำงานในโหมดการใช้พลังงานอย่างมีประสิทธิภาพ หรือแบบประหยัดพลังงาน (eco) ตัวบ่งชี้นี้จะทำงาน ถ้าอุณหภูมิในห้องแช่แข็งถูกตั้งไว้ที่ -16 หรือการทำความเย็นแบบประหยัดพลังงานทำงานโดยฟังก์ชัน Eco-Extra

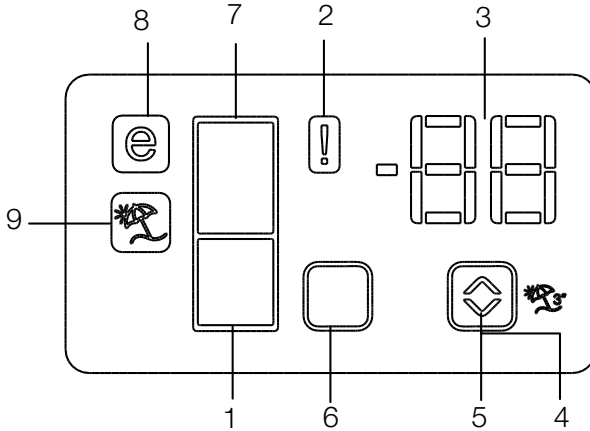
i ตัวบ่งชี้การใช้งานแบบประหยัดจะถูกปิดการทำงานเมื่อเลือกฟังก์ชันการทำความเย็นแบบรวดเร็วหรือการแช่แข็งอย่างรวดเร็ว

5 การใช้งานตู้เย็น

แผงหน้าจอบริการ (จออยู่ในตู้เย็น) *ตัวเลือกเสริม

แผงหน้าจอบริการอาจขึ้นอยู่กับรุ่นของตู้เย็น

ฟังก์ชันที่มีเสียงเตือนแฉงและแสดงเครื่องหมายต่างๆที่อยู่บนแผงหน้าจอบริการสามารถช่วยคุณในการใช้งานตู้เย็นให้สะดวกขึ้น



1. ตัวแสดงสถานะช่องแช่แข็ง
 2. เครื่องหมายแสดงข้อผิดพลาดในการทำงาน
 3. ตัวแสดงอุณหภูมิ
 4. ปุ่มฟังก์ชันพักการทำความเย็น
 5. ปุ่มตั้งค่าอุณหภูมิ
 6. ปุ่มเลือกช่องแช่อาหาร
 7. ตัวแสดงสถานะช่องแช่เย็น
 8. ตัวแสดงสถานะการทำงานแบบประหยัด
 9. ตัวแสดงสถานะฟังก์ชันพักการทำความเย็น
- *ตัวเลือกเสริม

ภาพที่แสดงในคู่มือการใช้งานนี้ เป็นแผนภาพทั่วไปและอาจไม่สอดคล้องตรงกับผลิตภัณฑ์ของคุณทั้งหมด หากมีชิ้นส่วนที่ไม่ได้รวมอยู่ในผลิตภัณฑ์ที่คุณซื้อมาแล้ว แสดงว่าชิ้นส่วนนั้นใช้กับรุ่นอื่น

1. ตัวแสดงสถานะช่องแช่แข็ง ไฟแสดงสถานะช่องแช่แข็งจะติดสว่างขึ้น ในขณะที่ตั้งอุณหภูมิของแช่แข็ง

2. เครื่องหมายแสดงข้อผิดพลาดในการทำงาน

ถ้าตู้เย็นของคุณ ไม่สามารถทำความเย็นได้เพียงพอ หรือในกรณีที่เซ็นเซอร์ทำงานผิดพลาด เครื่องหมายบ่งชี้จะทำงาน เมื่อเครื่องหมายบ่งชี้ทำงาน ตัวอักษร "E" จะปรากฏบนจอแสดงอุณหภูมิของแช่แข็ง และตัวเลข, อย่างเช่น "1, 2, 3..." จะปรากฏบนจอแสดงอุณหภูมิของแช่เย็น ตัวเลขเหล่านี้ที่แสดงบนจอ จะบอกเจ้าหน้าที่ฝ่ายบริการให้ทราบถึงข้อผิดพลาดที่เกิดขึ้น

3. ตัวแสดงอุณหภูมิ

จะบ่งชี้อุณหภูมิในช่องแช่แข็งและช่องแช่เย็น

4. ปุ่มฟังก์ชันพักการทำความเย็น กดปุ่มฟังก์ชันพักการทำความเย็นค้างไว้ 3 วินาที เพื่อเปิดการทำงานของฟังก์ชันนี้ เมื่อฟังก์ชันพักการทำความเย็นทำงาน เครื่องหมาย "--" จะปรากฏบนจอแสดงอุณหภูมิของแช่เย็น และการทำความเย็นในช่องแช่เย็นจะไม่ทำงาน ซึ่งไม่เหมาะกับการเก็บอาหารในช่องแช่เย็น เมื่อฟังก์ชันนี้ทำงาน ส่วนช่องแช่อาหารช่องอื่นๆ จะยังคงได้รับความเย็นอยู่ตามอุณหภูมิที่ตั้งไว้

5. ปุ่มตั้งค่าอุณหภูมิ

คุณสามารถปรับเปลี่ยนอุณหภูมิในช่องแช่อาหารอื่นๆ ได้ระหว่าง $-24^{\circ}\text{C} \dots -16^{\circ}\text{C}$ และ $8^{\circ}\text{C} \dots 1^{\circ}\text{C}$

6. ปุ่มเลือกช่องแช่อาหาร

ปุ่มเลือกช่องแช่อาหาร: ให้คุณกดปุ่มเลือกช่องแช่อาหาร เพื่อสลับระหว่างช่องแช่เย็น และช่องแช่แข็ง

7. ตัวแสดงสถานะช่องแช่เย็น ไฟช่องแช่เย็นจะติดสว่างขึ้นในขณะที่ตั้งอุณหภูมิในช่องแช่เย็น

8. ตัวแสดงสถานะการทำงานแบบประหยัด

จะบ่งชี้ว่าตู้เย็นทำงานในประหยัดพลังงานอยู่ ตัวแสดงสถานะนี้จะทำงานถ้าอุณหภูมิในช่องแช่แข็งถูกตั้งไว้ที่ -16°C

9. ตัวแสดงสถานะฟังก์ชันพักการทำงานอยู่ จะบ่งชี้ว่าฟังก์ชันการพักการทำความเย็นทำงานอยู่

การแช่แข็งอาหารสด

- เพื่อให้ได้ผลดีกว่า แนะนำให้คุณห่อหรือครอบปิดอาหาร ก่อนวางแช่ในตู้เย็น
- สำหรับอาหารที่ร้อนอยู่ ต้องปล่อยให้เย็นลงที่อุณหภูมิห้องก่อนนำเข้าวางแช่ในตู้เย็น
- อาหารที่คุณต้องการแช่แข็งต้องสดและมีคุณภาพดี
- ต้องแบ่งอาหารเป็นส่วนๆตามความต้องการของครอบครัวในแต่ละวันหรือในแต่ละมื้อ
- ต้องบรรจุอาหารในลักษณะสุญญากาศ เพื่อป้องกันไม่ให้อาหารแห้ง แม้ว่าจจะเก็บอาหารในระยะเวลาสั้น
- วัสดุที่ใช้เป็นบรรจุภัณฑ์ ต้องทนต่อการฉีกขาดและทนต่อความเย็น, ความชื้น, กลิ่น, น้ำมัน และกรด และยังต้องเป็นสุญญากาศ นอกจากนี้บรรจุภัณฑ์ต้องปิดสนิทและต้องเป็นวัสดุที่ทำมาให้ง่ายงาน เหมาะสำหรับการแช่แข็งอาหารนานๆ (deep freeze)
- ต้องบริโภคหรือใช้อาหารแช่แข็งทันทีหลังจากอาหารนั้นละลายและไม่ควรนำกลับไปแช่แข็งอีก
- โปรดปฏิบัติตามคำแนะนำต่อไปนี้ เพื่อให้ได้ผลลัพธ์ที่ดีที่สุด
 1. อย่าแช่แข็งอาหารปริมาณมากในครั้งเดียว คุณภาพของอาหารจะถูกรักษาไว้ดีที่สุดเมื่ออาหารถูกแช่แข็งทุกส่วนโดยเร็วที่สุดเท่าที่เป็นไปได้
 2. การใส่อาหารที่อุ่นในช่องแช่แข็งทำให้ระบบทำความเย็นทำงานต่อเนื่องตลอดจนกระทั่งอาหารแข็งตัว
 3. ใส่ใจเป็นพิเศษที่จะไม่ปนอาหารที่แช่แข็งแล้วกับอาหารสด

คำแนะนำในการเก็บรักษาอาหารแช่แข็ง

- ควรจัดเก็บอาหารแช่แข็งเพื่อการค้าที่บรรจุไว้แล้วตามคำแนะนำของผู้ผลิตอาหารแช่แข็งสำหรับช่องเก็บอาหารแช่แข็ง (4 ดาว)
- เพื่อให้มั่นใจว่าผู้ผลิตอาหารแช่แข็งและผู้จำหน่ายอาหารจะได้รับความพึงพอใจสูงสุดควรคำนึงถึงสิ่งต่อไปนี้:
 1. ใส่บรรจุภัณฑ์อาหารลงในช่องแช่แข็งโดยเร็วที่สุดหลังจากซื้อ
 2. ตรวจสอบให้แน่ใจว่ามีข้อมูลที่ติดฉลากและลงวันที่
 3. ห้ามบริโภคอาหารที่เกินสิ่งที่กำหนดไว้บนบรรจุภัณฑ์ เช่น "ใช้โดย", "วันที่ควรบริโภคก่อน" เป็นต้น

การละลายน้ำแข็ง

ช่องแช่แข็งจะละลายน้ำแข็งได้โดยอัตโนมัติ

การวางอาหาร

ชั้นวางอาหารในช่องแช่แข็ง	อาหารแช่แข็งต่างๆ เช่นเนื้อสัตว์, ปลา, ไอศกรีม, ผัก และอื่น ๆ
ส่วนของช่องวางไข่	ไข่ไก่/ไข่เป็ด
ชั้นวางอาหารในช่องแช่เย็น	อาหารที่อยู่ในกระช่, ที่มีฝาปิดไว้และที่อยู่ภายนอกปิด
ชั้นวางอาหารที่แผงประตูของช่องแช่เย็น	อาหารและเครื่องดื่มขนาดเล็กและบรรจุหีบห่อ (เช่นนม, น้ำผลไม้ และเบียร์)

ช่องเก็บอาหาร เพื่อความสด และกรอบ	ผักและผลไม้ต่างๆ
ช่องใส่อาหารสด	ผลิตภัณฑ์สำเร็จรูป (เนยแข็ง, เนย, ซาลามี และอื่น ๆ)

การทำน้ำแข็ง

(คุณลักษณะนี้เป็นตัวเลือกเสริม) เติมน้ำในภาชนะทำน้ำแข็งแล้วนำไปวางในช่องแช่แข็ง คุณจะได้น้ำแข็งภายใน 2 ชั่วโมงโดยประมาณ คุณสามารถนำน้ำแข็งที่อยู่ในภาชนะออกได้โดยนำภาชนะนี้ออกจากช่องแช่แข็งแล้วปิดภาชนะ

ข้อมูลเกี่ยวกับการแช่แข็งเป็นระยะเวลานาน (Deep Freeze)

เมื่อใส่อาหารในช่องแช่แข็ง อาหารต้องถูกแช่เย็นให้แข็งเร็วที่สุดเท่าที่จะเป็นไปได้ เพื่อรักษาคุณภาพที่ดีที่สุด

เป็นสิ่งที่เป็นไปได้ที่จะเก็บถนอมอาหารได้เป็นเวลานาน ที่อุณหภูมิ -18°C หรือต่ำกว่า

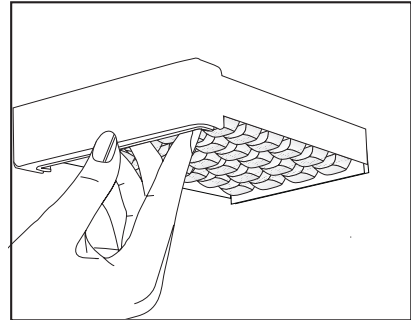
คุณสามารถเก็บความสดของอาหารเป็นเวลาหลายเดือน (ที่ -18°C หรืออุณหภูมิต่ำกว่า ในการแช่แข็งเป็นระยะเวลานาน)

คำเตือน! ⚠

- อาหารต้องแบ่งออกเป็นส่วนตามความต้องการของครอบครัวในแต่ละวัน หรือตามปริมาณบริโภคในแต่ละมื้อ
- อาหารจะต้องบรรจุในลักษณะเป็นสุญญากาศ เพื่อป้องกันไม่ให้แห้ง แม้ว่า จะเก็บไว้ในระยะเวลาอันสั้น
- วัสดุที่จำเป็นสำหรับบรรจุภัณฑ์
 - เทปกาวยึดทนต่อความเย็น
 - ฉลากที่มีกาวในตัว
 - แหวนยาง
 - ปากกา

วัสดุที่ใช้ในการบรรจุอาหาร ต้องทนต่อการฉีกขาดและทนต่อความเย็น, ความชื้น, กลิ่น, น้ำมัน และกรด

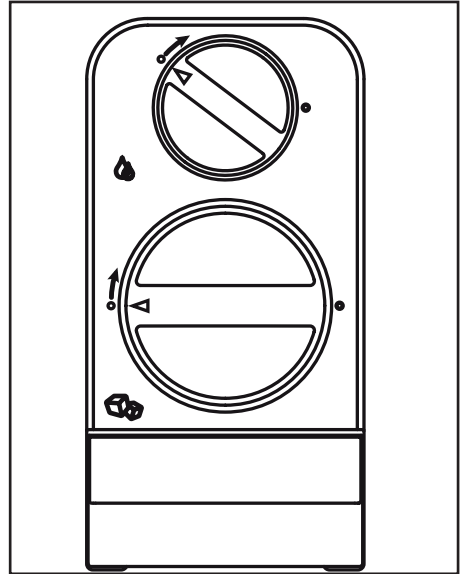
ไม่ควรให้อาหารที่จะนำไปแช่แข็งสัมผัสกับอาหารที่แช่แข็งก่อนหน้านี้ เพื่อป้องกันไม่ให้บางส่วนละลาย อาหารที่ละลายแล้วต้องนำมาบริโภคและไม่ต้องแช่แข็งอีก



ระบบทำน้ำแข็งด้วยถาดใส่น้ำแข็งแบบปิด

(คุณลักษณะนี้เป็นตัวเลือกเสริม)

- ถอดช่องใส่น้ำออกโดยหมุนไปทางซ้าย
- เปิดฝาครอบช่องใส่น้ำโดยการหมุนและเติมน้ำเข้าช่องใส่น้ำถึงส่วนล่างของฝาปิดช่องใส่น้ำ
- หลังจากใส่น้ำแล้ว ให้วางภาชนะที่ตำแหน่งตามที่แสดงในภาพ แล้วทำให้อยู่ในตำแหน่งที่ต้องการโดยหมุนไปตามทิศทางลูกศร จากนั้นน้ำจะเทลงไปที่รางถาดน้ำแข็ง
- เมื่อน้ำแข็งก่อตัวขึ้น ให้หมุนลูกบิดรางถาดน้ำแข็งไปตามทิศทางลูกศร เพื่อให้น้ำแข็งตกลงไปที่ลิ้นชักใส่น้ำแข็ง
- เอาถาดน้ำแข็งโดยการดึงลิ้นชักออก
- ดึงหน้าด้านหน้าเข้าหาคุณ เพื่อล่างรางถาดน้ำแข็ง แล้ววางลงบนรางเลื่อนด้านใน แล้วดันเข้าไปที่ตำแหน่งของรางน้ำแข็งที่เดิม
- ดึงชุดทำน้ำแข็งแบบปิดเข้าหาตัวคุณ เพื่อถอดอุปกรณ์ และวางลงบนรางเลื่อนบนเพดาน แล้วดันไปที่ตำแหน่งที่เดิม



พัดลม

พัดลมได้รับการออกแบบมาเพื่อให้แน่ใจว่ามีการกระจายและการไหลเวียนของอากาศภายในห้องเย็นของคุณได้อย่างทั่วถึง เวลาการทำงานของพัดลมอาจแตกต่างกันออกไปขึ้นอยู่กับคุณสมบัติของตู้เย็นของคุณ ในขณะที่พัดลมใช้งานได้เฉพาะกับคอมเพรสเซอร์ในตู้เย็นบางรุ่น ระบบควบคุมจะกำหนดเวลาการทำงานในตู้เย็นบางรุ่นตามความต้องการในการทำความเย็น

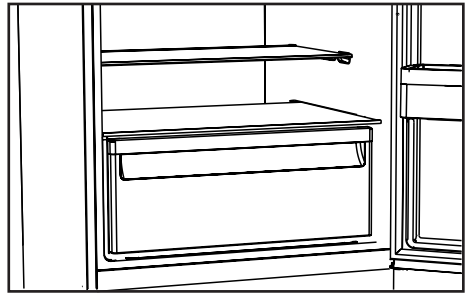
ช่องแช่เย็น (chiller)

(คุณลักษณะนี้เป็นตัวเลือกเสริม)

ใช้ช่องนี้เพื่อเก็บอาหารสำเร็จรูปซึ่งควรเก็บไว้ในอุณหภูมิที่ต่ำกว่า หรือเก็บผลิตภัณฑ์จากเนื้อสัตว์ที่คุณบริโภคได้ในระยะเวลาอันสั้น ช่องแช่เย็น chiller เป็นจุดที่เย็นที่สุดในตู้เย็นของคุณ ซึ่งคุณสามารถเก็บผลิตภัณฑ์จากนม, เนื้อสัตว์, ปลา และเนื้อจากสัตว์ปีกได้ ภายใต้สภาวะการเก็บรักษาที่ดีเยี่ยม ผักและผลไม้ไม่ควรเก็บไว้ในช่องนี้

ช่องเก็บอาหารเพื่อความสดและกรอบ (Crisper)

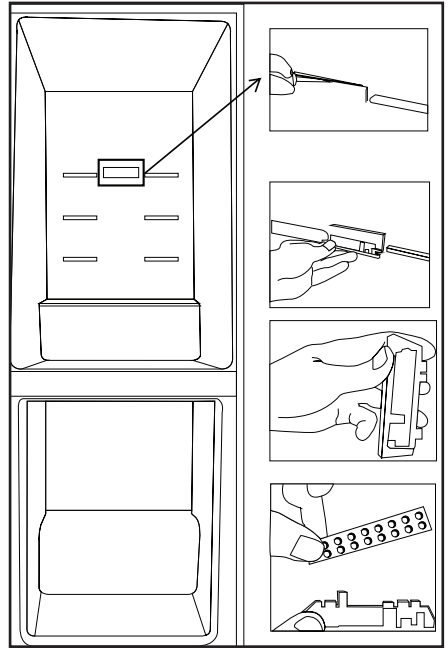
ช่องเก็บอาหารเพื่อความสดและกรอบ (Crisper) ของตู้เย็นรุ่นนี้ได้รับการออกแบบมาเป็นพิเศษเพื่อรักษาความสดของผักโดยไม่สูญเสียความชื้น ด้วยเหตุนี้การไหลเวียนของอากาศเย็น โดยทั่วไปแล้ว จะมีปริมาณที่หนาแน่นขึ้น โดยรอบช่องเก็บอาหารนี้



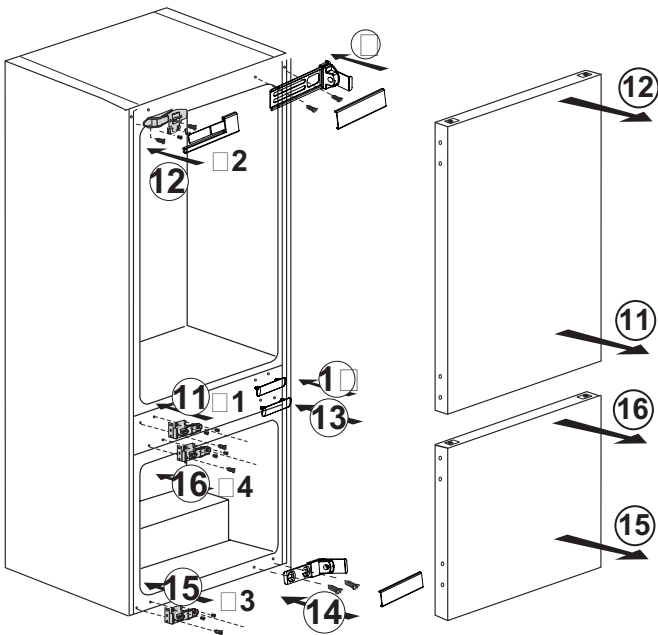
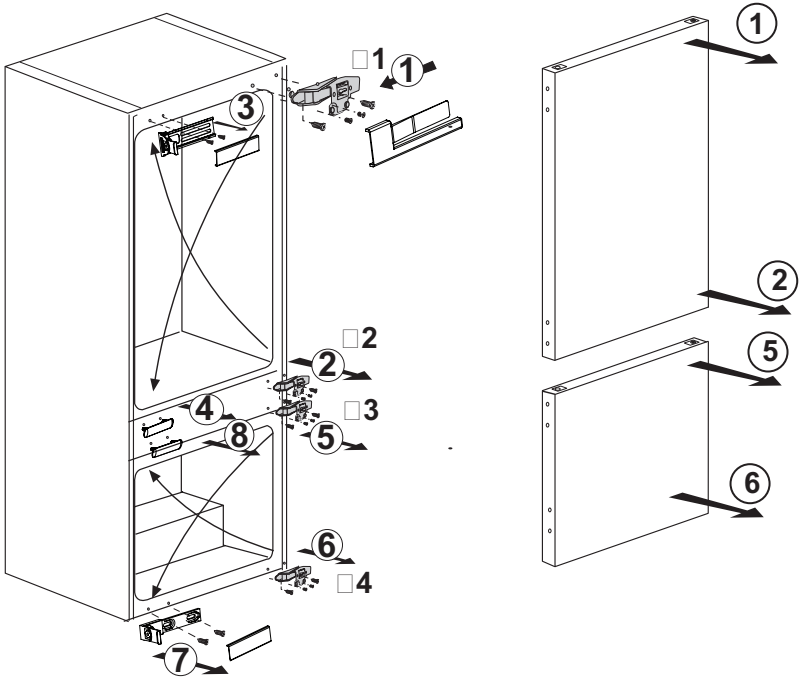
คำอธิบายและการทำความสะอาด ตัวกรองกลิ่น:

เป็นตัวเลือกเสริม *

ตัวกรองกลิ่นช่วยป้องกันกลิ่นไม่พึงประสงค์ที่ก่อตัวขึ้นในตู้เย็นของคุณ ให้คุณดึงฝาครอบที่ติดตั้งไว้ในตัวกรองกลิ่นลงจากส่วนหน้า แล้วถอดตามภาพประกอบ ฝึ้งตัวกรองไว้ได้แสงแดดเป็นเวลาหนึ่งวัน ตัวกรองจะได้สะอาดในช่วงเวลานี้ จากนั้นติดตั้งตัวกรองกลับไปตำแหน่งเดิม แนะนำให้คุณทำความสะอาดตัวกรองกลิ่นปีละครั้ง



การกลับทิศทางในการเปิดประตู



6 การบำรุงรักษาและการทำความสะอาด

⚠ ห้ามใช้ก๊าซโซลีน, น้ำมันเบนซิน หรือ สารอื่นที่คล้ายคลึงกัน เพื่อทำความสะอาด

⚠ เราขอแนะนำให้ถอดปลั๊กตู้เย็น ก่อนทำความสะอาด

⚠ ห้ามใช้เครื่องมือขัดสีที่คม, สบู่, น้ำยาทำความสะอาดภายในบ้าน, ผงซักฟอก และซีฟิ้ง สำหรับทำความสะอาด

i ใช้น้ำอุ่นเพื่อทำความสะอาดตู้ใส่ตู้เย็นและแช่ให้แห้ง

i ใช้น้ำชุบน้ำหมาด ๆ ลงในสารละลายโซเดียมไบคาร์บอเนตหนึ่งช้อนชากับน้ำประมาณครึ่งลิตรเพื่อทำความสะอาดภายในและแช่ให้แห้ง

⚠ ตรวจสอบให้แน่ใจว่าไม่มีน้ำเข้าที่คอมไฟและอุปกรณ์ไฟฟ้าอื่น ๆ

⚠ หากคุณไม่ได้ใช้ตู้เย็นเป็นระยะเวลานาน ให้ถอดปลั๊กสายไฟ, นำอาหารทั้งหมดออกมา, ทำความสะอาดแล้วปล่อยให้ประตูเปิดแง้มเล็กน้อย

i ตรวจสอบยางขอบประตูอย่างสม่ำเสมอเพื่อให้แน่ใจว่าพวกเขาสะอาดและปราศจากอนุภาคอาหาร

⚠ หากต้องการถอดชั้นวางของที่แผงประตูออก ให้นำอาหารทั้งหมดออกแล้วดันที่ชั้นวางขึ้นจากฐาน

⚠ ห้ามใช้สารทำความสะอาด หรือน้ำที่มีคลอรีนในการทำทำความสะอาดพื้นผิวด้านนอกและชิ้นส่วนเคลือบโครเมียมของตู้เย็น สารคลอรีนทำให้เกิดการกัดกร่อนบนพื้นผิวโลหะประเภทนี้

⚠ อย่าใช้เครื่องมือขัดสีที่คม, สบู่, สารทำความสะอาดในครัวเรือน, ผงซักฟอก, น้ำมันก๊าด, น้ำมันเชื้อเพลิง, น้ำมันเคลือบเงา ฯลฯ เพื่อป้องกันไม่ให้เกิดสิ่งพิมพ์บนชิ้นส่วนพลาสติกเกิดการลอกและเปลี่ยนรูป ใช้น้ำอุ่นและผ้านุ่ม ๆ สำหรับทำความสะอาด แล้วแช่ให้แห้ง

การปกป้องพื้นผิวพลาสติก

i อย่าใส่น้ำมันเหลวหรืออาหารที่ปรุงด้วยน้ำมันในตู้เย็นของคุณด้วยภาชนะที่ไม่ได้ปิดผนึก เพราะจะทำให้พื้นผิวพลาสติกของตู้เย็นเสียหาย ในกรณีที่เกิดการหกเลอะหรือพื้นผิวพลาสติกเลอะน้ำมัน ให้ทำความสะอาดและล้างผิวของชิ้นส่วนนั้นด้วยน้ำอุ่น

7 การแก้ไขปัญหา

โปรดตรวจสอบรายการนี้ก่อนที่โทรติดต่อผู้ให้บริการ ซึ่งจะช่วยประหยัดเวลาและค่าใช้จ่ายของคุณ รายการนี้ประกอบด้วยการร้องเรียนบ่อยครั้ง ที่ไม่ได้เกิดจากผลการผลิตที่บกพร่องหรือการใช้วัสดุที่ชำรุด คุณลักษณะบางอย่างที่อธิบายไว้ในที่นี่อาจไม่มีอยู่ในผลิตภัณฑ์ของคุณ

ตู้เย็นไม่ทำงาน

- เสียบปลั๊กไฟเข้ากับเต้ารับไม่ถูกต้อง >>> เสียบปลั๊กไฟเข้ากับเต้ารับให้แน่นสนิท
- พิวส์ของเต้ารับที่ตู้เย็นเชื่อมต่ออยู่ หรือพิวส์หลักขาดออกจากกัน >>> ให้ตรวจสอบพิวส์

การควบแน่นบนผนังด้านข้างของช่องแช่เย็น (ช่องเก็บอาหารที่หลากหลาย, ระบบควบคุมความเย็น และ พื้นที่เก็บอาหารที่หลากหลาย)

- เปิดประตูตู้เย็นบ่อย >>> อย่าเปิดและปิดประตูตู้เย็นบ่อยๆ
- สภาพแวดล้อมมีความชื้นสูง >>> อย่าติดตั้งตู้เย็นของคุณไว้ในที่ที่มีความชื้นสูง
- อาหารที่มีของเหลวเป็นส่วนผสมถูกเก็บไว้ในภาชนะเปิด >>> อย่าเก็บอาหารที่มีของเหลวในภาชนะเปิด
- ประตูตู้เย็นถูกปล่อยให้เปิดแฉงเปิดไว้อยู่ >>> ปิดประตูตู้เย็น
- เทอร์โมสแตทถูกตั้งไว้ที่ระดับความเย็นมาก >>> ตั้งอุณหภูมิเทอร์โมสแตทให้อยู่ในระดับที่เหมาะสม

คอมเพรสเซอร์ไม่ทำงาน

- ระบบป้องกันความร้อนของคอมเพรสเซอร์ไม่ทำงานระหว่างไฟตกหรือเสียบปลั๊กเข้า-ออกหลายครั้ง เนื่องจากแรงดันสารทำความเย็นในระบบทำความเย็นของตู้เย็นยังไม่ไหลเวียนอย่างสมดุล ตู้เย็นจะเริ่มทำงานหลังจาก 6 นาทีโดยประมาณ โปรดโทรติดต่อผู้ให้บริการ หากตู้เย็นยังไม่ทำงานหลังจากสิ้นสุดระยะเวลาดังกล่าว
- ตู้เย็นทำงานอยู่ในช่วงรอบละลายน้ำแข็ง >>> เป็นเรื่องปกติสำหรับตู้เย็นที่มีระบบละลายน้ำแข็งอัตโนมัติ รอบการละลายน้ำแข็งเกิดขึ้นเป็นระยะๆ
- ตู้เย็นไม่ได้เสียบปลั๊กไฟอยู่ในเต้ารับ >>> ตรวจสอบให้แน่ใจว่าปลั๊กเสียบอยู่ในเต้ารับ
- ตั้งค่าอุณหภูมิไม่ถูกต้อง >>> เลือกค่าอุณหภูมิที่เหมาะสม
- ไฟฟ้าดับ >>> ตู้เย็นกลับเข้าสู่การทำงานปกติเมื่อมีไฟฟ้าป้อนเข้ามา

<p>เสียงการทำงานดังขึ้นเมื่อตุ๋นทำงาน</p>
<ul style="list-style-type: none"> • ประสิทธิภาพการทำงานของตุ๋นอาจเปลี่ยนแปลง เนื่องจากการเปลี่ยนแปลงของอุณหภูมิแวดล้อม สิ่งดังกล่าวถือว่าเป็นเรื่องปกติ ไม่เป็นความผิดปกติแต่อย่างใด
<p>ตุ๋นทำงานอยู่บ่อยๆหรือเป็นเวลานาน</p>
<ul style="list-style-type: none"> • ตุ๋นใบใหม่อาจกว้างกว่ารุ่นก่อนหน้า ตุ๋นขนาดใหญ่ทำงานเป็นเวลานาน • อุณหภูมิห้องอาจสูง >>> เป็นเรื่องปกติที่ผลิตภัณฑ์ทำงานได้นานขึ้นในบริเวณที่มีอากาศร้อน • อาจเพิ่งเสียบปลั๊กตุ๋นหรือตุ๋นอาจเต็มไปด้วยอาหาร >>> เมื่อเพิ่งเสียบปลั๊กตุ๋นหรือเพิ่งใส่อาหารเต็มตุ๋น ตุ๋นจะใช้เวลาทำงานนานขึ้น เพื่อให้ได้อุณหภูมิที่ตั้งไว้ นี่เป็นเรื่องปกติ. • อาจเพิ่งใส่อาหารที่ร้อนจำนวนมากในตุ๋น >>> อย่าใส่อาหารที่ร้อนในตุ๋น • ประตูอาจถูกเปิดบ่อยหรือปล่อยให้เปิดแฉกเป็นเวลานาน >>> อากาศอุ่นที่เข้าไปในตุ๋นทำให้ตุ๋นทำงานเป็นเวลานานขึ้น อย่าเปิดประตูตุ๋นบ่อย • ประตูช่องแช่เย็นหรือตุ๋นอาจไม่ได้รับการเตือน >>> ตรวจสอบว่าประตูปิดสนิทหรือไม่ • ตุ๋นถูกปรับที่อุณหภูมิต่ำมาก >>> ปรับอุณหภูมิตุ๋นที่ระดับอุ่นกว่านี้ แล้วรอจนกระทั่งได้อุณหภูมิตามที่ติดตั้งไว้ • ยางขอบประตูของช่องแช่เย็นหรือช่องแช่แข็ง อาจสกปรก, สึก, ขรุขระ หรือไม่อยู่ในตำแหน่งที่ถูกต้อง >>> ทำความสะอาดหรือเปลี่ยนยางขอบประตู เพราะยางขอบประตูที่ขรุขระ/เสียหายทำให้ตุ๋นทำงานนานขึ้น เพื่อรักษาอุณหภูมิให้คงที่
<p>อุณหภูมิแช่แข็งต่ำมาก ในขณะที่อุณหภูมิช่องแช่เย็นอยู่ในระดับที่เหมาะสมพอดี</p>
<ul style="list-style-type: none"> • อุณหภูมิแช่แข็งต่ำถูกปรับตั้งที่ค่าต่ำมาก >>> ปรับอุณหภูมิแช่แข็งไปที่ระดับอุ่นกว่า แล้วตรวจสอบอีกครั้ง
<p>อุณหภูมิช่องแช่เย็นต่ำมาก ในขณะที่อุณหภูมิแช่แข็งอยู่ในระดับที่เหมาะสมพอดี</p>
<ul style="list-style-type: none"> • อุณหภูมิแช่เย็นถูกปรับตั้งที่ค่าต่ำมาก >>> ปรับอุณหภูมิช่องแช่เย็นไปที่ระดับอุ่นกว่า แล้วตรวจสอบอีกครั้ง
<p>อาหารที่เก็บในลิ้นชักช่องแช่เย็นแข็งตัว</p>
<ul style="list-style-type: none"> • อุณหภูมิแช่เย็นถูกปรับตั้งที่ค่าสูงมาก >>> ปรับอุณหภูมิแช่เย็นไปที่ค่าต่ำกว่านี้ แล้วตรวจสอบอีกครั้ง

<p>อุณหภูมิในช่องแช่เย็นหรือช่องแช่แข็งสูงมาก</p>
<ul style="list-style-type: none"> • อุณหภูมิในช่องแช่เย็นถูกปรับตั้งที่ค่าสูงมาก >>> การตั้งอุณหภูมิในช่องแช่เย็นมีผลกระทบต่ออุณหภูมิในช่องแช่แข็ง ควรปรับเปลี่ยนอุณหภูมิในช่องแช่เย็นหรือช่องแช่แข็ง แล้วรอจนกระทั่งช่องเก็บอาหารช่องอื่นๆ ที่เกี่ยวข้องมีอุณหภูมิที่เพียงพอ • ประตูเย็นถูกเปิดบ่อย หรือถูกปล่อยให้เปิดแฉับอยู่เป็นระยะเวลาานาน >>> อย่าเปิดประตูเย็นบ่อย • ประตูเย็นเปิดแฉับอยู่ >>> ปิดประตูเย็นให้สนิท • เพิ่งเสียบปลั๊กตู้เย็น หรือเพิ่งนำอาหารใส่ในตู้เย็น >>> นี่เป็นเรื่องปกติ เพิ่งเสียบปลั๊กตู้เย็น หรือเพิ่งนำอาหารใส่ในตู้เย็น, จะต้องใช้เวลาทำงานนานขึ้น เพื่อที่ตู้เย็นจะทำงานให้ถึงอุณหภูมิที่ตั้งไว้ • อาจใส่อาหารที่ร้อนในปริมาณที่มากในตู้เย็น >>> อย่าใส่อาหารที่ร้อนในตู้เย็น
<p>ตู้เย็นสั่นหรือมีเสียงดัง</p>
<ul style="list-style-type: none"> • พื้นไม่ได้ระดับหรือไม่มั่นคง >>> หากตู้เย็นโคลนเมื่อโยกเบาๆ ให้ปรับขาตั้งให้สมดุล ตรวจสอบให้แน่ใจว่าพื้นมีความแข็งแรงเพียงพอที่สามารถรองรับตู้เย็นได้ และเป็นระนาบเรียบสม่ำเสมอด้วย • สิ่งที่วางบนตู้เย็นอาจทำให้เกิดเสียงดัง >>> นำสิ่งของที่วางบนตู้เย็นออก
<p>มีเสียงดังมาจากตู้เย็นเหมือนเสียงน้ำไหล, เสียงฟ่นสเปรย์ ฯลฯ</p>
<ul style="list-style-type: none"> • การไหลของของเหลวและก๊าซเกิดขึ้นตามหลักการทำงานของตู้เย็น นี่เป็นเรื่องปกติและไม่ใช่เป็นการทำงานที่ผิดปกติ
<p>เสียงนกหวีดดังมาจากตู้เย็น</p>
<ul style="list-style-type: none"> • พัดลมจะถูกใช้เพื่อทำความเย็นให้กับตู้เย็น นี่เป็นเรื่องปกติและไม่ใช่เป็นการทำงานที่ผิดปกติ
<p>เกิดการควบแน่นบนผนังด้านในของตู้เย็น</p>
<ul style="list-style-type: none"> • อากาศร้อนและชื้นทำให้เกิดน้ำแข็งและการควบแน่นเพิ่มขึ้น นี่เป็นเรื่องปกติและไม่ใช่เป็นการทำงานที่ผิดปกติ • ประตูตู้เย็นถูกเปิดบ่อยหรือถูกปล่อยให้เปิดแฉับอยู่เป็นระยะเวลาานาน >>> อย่าเปิดประตูตู้เย็นบ่อย ปิดประตูตู้เย็นเมื่อเห็นว่าเปิดทิ้งไว้อยู่ • ประตูตู้เย็นเปิดแฉับอยู่ >>> ปิดประตูตู้เย็นให้สนิท
<p>มีความชื้นเกิดขึ้นนอกตู้เย็นหรือระหว่างประตูตู้เย็น</p>
<ul style="list-style-type: none"> • อาจมีความชื้นในอากาศ; นี่เป็นเรื่องค่อนข้างปกติในสภาพอากาศที่ชื้น เมื่อมีความชื้นน้อย, การควบแน่นก็จะหายไป

มีกลิ่นไม่พึงประสงค์ในตู้เย็น

- ไม่ได้ทำความสะอาดตู้เย็นอยู่เป็นประจำ >>> ทำความสะอาดภายในตู้เย็นเป็นประจำด้วยฟองน้ำ, น้ำอุ่น หรือสารละลายคาร์บอเนตในน้ำ
- ภาชนะหรือวัสดุบรรจุภัณฑ์บางอย่างอาจก่อให้เกิดกลิ่นเหม็น >>> ใช้ภาชนะอื่นที่ต่างกัน หรือวัสดุบรรจุภัณฑ์ยี่ห้ออื่นที่ต่างกันจากที่ใช้อยู่ปัจจุบัน
- ใส่อาหารในตู้เย็นในภาชนะที่ไม่มีฝาปิด >>> ให้เก็บอาหารในภาชนะที่มีฝาปิด เชื้อจุลินทรีย์ที่แพร่กระจายจากภาชนะที่เปิดฝาสามารถก่อให้เกิดกลิ่นไม่พึงประสงค์ได้
- นำอาหารที่เลยวันที่ควรบริโภคหรือหมดอายุแล้ว และอาหารที่เน่าเสียออกจากตู้เย็น

ประตูตู้เย็นไม่ได้ปิด

- บรรจุภัณฑ์อาหารจะกันไม่ให้ประตูตู้เย็นปิดได้ >>> เปลี่ยนบรรจุภัณฑ์ใหม่ที่ไม่ขวางประตูตู้เย็น
- ตู้เย็นวางบนพื้นไม่แนบพื้นทั้งหมด >>> ปรับขาตั้งเพื่อให้ตู้เย็นวางได้อย่างสมดุล
- พื้นไม่ราบเรียบหรือแข็งแรง >>> ตรวจสอบให้แน่ใจว่าพื้นได้ระดับราบเรียบและสามารถรองรับตู้เย็นได้

ช่องลิ้นชักเก็บรักษาอาหารให้สดใหม่ เปิด-ปิดไม่ออก

- มีอาหารวางอยู่จนแน่นลิ้นชัก ทำให้อาหารสัมผัสด้านเพดานลิ้นชักช่องเก็บรักษาอาหารนี้ >>> จัดวางอาหารในช่องลิ้นชักใหม่



5788390700/AA
EN-TH



www.beko.com