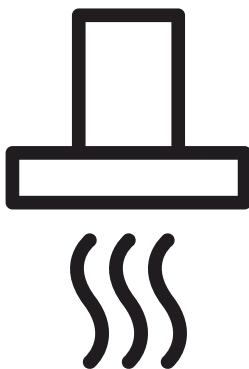


beko

Cooker Hood

User manual



CTB 6250 X CTB 9250 X
CTB 6250 B CTB 9250 XH
CTB 6250 W
CTB 6250 XH

EN - DE - FR - NL - ES - PT - IT - DA - RU - LT - RO - PL - EL - BG - VI - BS
CS - SR - SK - SL - SV



01M-8842103200-4522-19
01M-8842113200-4522-19
01M-8842123200-4522-19
01M-8844773200-4522-19

01M-8842043200-4522-19
01M-8844763200-4522-19

CONTENTS

ENGLISH	3-13
ENGLISH	14-26
FRANÇAIS	27-39
NEDERLANDS	40-50
ESPAÑOL	51-63
PORTUGUÊS	64-76
ITALIANO	77-87
DANSK	88-98
РУССКИЙ	99-116
LIETUVIŲ K	117-127
ROMÂNĂ	128-142
POLSKI	143-156
ΕΛΛΗΝΙΚΑ	157-170
БЪЛГАРСКИ	171-184
TIẾNG VIỆT	185-196
BOSANSKI	197-207
ČESKY	208-218
СРПСКИ	219-232
SLOVENSKÝ	233-243
SLOVENŠČINA	244-254
SVENSKA	255-265

Please read this user manual first!

Dear Valued Customer,

Thank you for preferring this Beko appliance. We hope that you get the best results from your appliance which has been manufactured with high quality and state-of-the-art technology. For this reason, please read this entire user manual and all other accompanying documents carefully before using the appliance and keep it as a reference for future use. If you handover the appliance to someone else, give the user manual as well. Follow the instructions by paying attention to all the information and warnings in the user manual.

Remember that this user manual may also apply to other models. Differences between models are explicitly described in the manual.

Meanings of the Symbols

Following symbols are used in various sections of this user manual:



Important information and useful hints about usage.



WARNING: Warnings against dangerous situations concerning the security of life and property.



WARNING: Warning for danger of fire.



WARNING: Warning for electric shock.



Protection class for electric shock.



1 Important safety and environmental instructions

1.1 General Safety

Important Safety Instructions Read Carefully And Keep For Future Reference This section contains safety instructions that will help protect from risk of fire, electric shock, exposure to leak microwave energy, personal injury or property damage. Failure to follow these instructions shall void any warranty.

- Beko products comply with the applicable safety standards; therefore, in case of any damage on the appliance or power cable, it should be repaired or replaced by the dealer, service center or a specialist and authorized service alike to avoid any danger. Faulty or unqualified repair work may be dangerous and cause risk to the user.
- This appliance is intended to be used in household and similar applications such as:
 - Staff kitchen areas in shops, offices and other working environments;
 - Farm houses
 - By clients in hotels, and other residential type environments;
 - Bed and Breakfast type environments.
- Operate the appliance for its intended purpose only as described in this manual.
- The manufacturer cannot be held liable for damages resulting from improper installation or misuse of the product.
- This appliance can be used by children aged from 8 years and above and persons with reduced physical, sensory or mental capabilities or lack of experience and knowledge if they have been given supervision or instruction concerning use of the appliance in a safe way and understand the hazards involved.
- Children shall not be allowed play with the appliance. Cleaning and user maintenance shall not be made by children without supervision.
- The minimum distance between the supporting surface for the

1 Important safety and environmental instructions

cooking vessels on the hob and the lowest part of your product must be at least 65 cm.

- If the instructions for installation for the gas hob specify a greater distance, this has to be taken into account.
- Make sure that your mains power supply complies with the information supplied on the rating plate of the appliance.
- Never use the appliance if the power cable or the appliance itself is damaged.
- Prevent damage to the power cable by not squeezing, bending, or rubbing it on sharp edges. Keep the power cable away from hot surfaces and naked flame.
- Use the appliance with a grounded outlet only.

WARNING: Do not connect the appliance to the mains until the installation is fully complete.

- Place the appliance in a way so that the plug is always accessible.
- Do not touch the lamps if they have operated for a long time.

They can burn your hands since they will be hot.

- Follow the regulations set out by competent authorities on discharge of the exhaust air (this warning is not applicable for use without flue).
- Operate your appliance after putting a pot, pan etc. on the hob. Otherwise, high heat may cause deformation in some parts of your product.
- Turn off the hob before taking the pot, pan etc. from it.
- Do not leave hot on the hob. Pans with hot may cause self combustion.
- Pay attention to your curtains and covers since may catch fire while cooking food such as fries.
- Grease filter must be cleaned at least monthly. Carbon filter must be replaced at least every 3 months.
- Product shall be cleaned accordance with user manual. If cleaning was not carried out in accordance with user manual, there may be fire risk.

1 Important safety and environmental instructions

- Do not use non-fire-resistant filtering materials instead of the current filter.
 - Only use the original parts or parts recommended by the manufacturer.
 - Do not operate the product without the filter and do not remove the filters while the product is running.
 - In the event of be started any flame, de-energize your product and cooking appliances.
 - In the event of be started any flame, cover the flame and never use water to extinguish.
 - Unplug the appliance before each cleaning and when the appliance is not in use.
 - The negative pressure in the environment should not exceed 4 Pa (4x10 bar) while the hood for electric hob and appliances running on another type of energy but electricity operate simultaneously.
 - In the environment where the appliance is being used, the exhaust of devices running on fuel or gas, such as room heater must be absolutely isolated or device must be hermetical type.
 - When connecting the flue, use pipes with a diameter of 120 or 150 mm. Pipe connection must be as short as possible and have as few elbows as possible.
 - Danger of choking! Keep all the packaging materials away from children.
- CAUTION:** Accessible parts may become hot when used with cooking appliances.
- The product outlet must not be connected to air channels that include other smoke.
 - The ventilation in the room may be insufficient when the hood for electric hob is used simultaneously with the devices operating on gas or other fuels (this may not apply to appliances that only discharge the air back into the room).
 - Objects placed on the product may fall. Do not place any objects on the product.
 - Do not flambe under the your product.

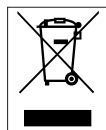
1 Important safety and environmental instructions

WARNING: Before installing the Hood, remove the protective films.

- Never leave high naked flames under the hood when it is in operation
- Deep fat fryers must be continuously monitored during use: overheated can burst into flames.

1.2 Compliance with the WEEE Directive and Disposing of the Waste Product:

This product complies with EU WEEE Directive (2012/19/EU). This product bears a classification symbol for waste electrical and electronic equipment (WEEE).



This symbol indicates that this product shall not be disposed with other household wastes at the end of its service life. Used device must be returned to official collection point for recycling of

electrical and electronic devices. To find these collection systems please contact to your local authorities or retailer where the product was purchased. Each household performs important role in recovering and recycling of old appliance. Appropriate disposal of used appliance helps prevent potential negative consequences for the environment and human health.

1.3 Compliance with RoHS Directive

The product you have purchased complies with EU RoHS Directive (2011/65/EU). It does not contain harmful and prohibited materials specified in the Directive.

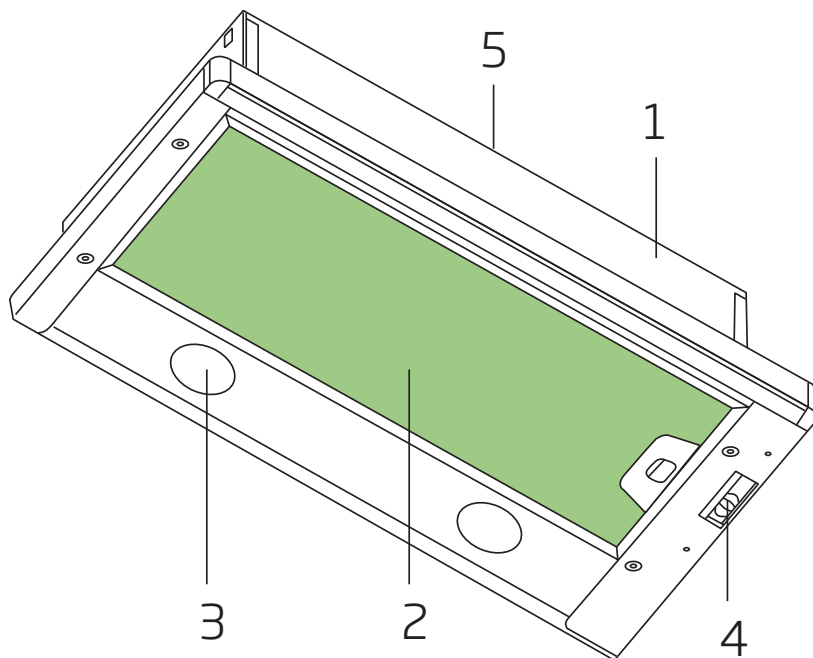
1.4 Package Information



Packaging materials of the product are manufactured from recyclable materials in accordance with our National Environment Regulations. Do not dispose of the packaging materials together with the domestic or other wastes. Take them to the packaging material collection points designated by the local authorities.

2 General appearance

2.1 Overview



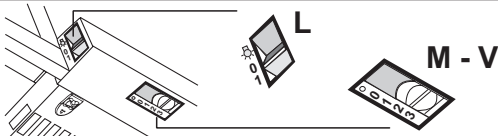
1. Body
2. Grease filter
3. Lighting
4. Control panel
5. Chimney

2.2 Technical data

Model	CTB 6250 X CTB 6250 B CTB 6250 W CTB 6250 XH	CTB 9250 X CTB 9250 XH
Supply voltage	220-240V ~ 50 Hz	
Lamp power	2x4 W	
Motor power	1 x 140 W	
Air Flow – 3. Level	420 m ³ /h	
Insulation Class	CLASS II	

3 Using the appliance

3.1 Controls panel

	
L: Light	Switches the lighting system on and off
M: Motor	Switches the extractor motor on and off
V: Speed	Sets the operating speed of the extractor: 1. Low speed, used for a continuous and silent air change in the presence of light cooking vapour. 2. Medium speed, suitable for most operating conditions given the optimum treated air flow/noise level ratio. 3. Maximum speed, used for eliminating the highest cooking vapour emission, including long periods.

- The extractor hood has been designed exclusively for domestic use to eliminate kitchen smells.
- Never use the hood for purposes other than for which it has been designed.
- Never leave high naked flames under the hood when it is in operation.
- Adjust the flame intensity to direct it onto the bottom of the pan only, making sure that it does not engulf the sides.
- Deep fat fryers must be continuously monitored during use: overheated oil can burst into flames.

3.2 Efficient use in terms of energy saving

- When using your appliance, adjust the speed settings according to vapour and odour intensity, in order to save energy.
- Use low speeds (1-2) under normal conditions, and high speed (3) and boost mode for intense odour and vapour.
- The hood is equipped with lamps in order to illuminate the cooking area.
- Using them for environmental lighting shall cause unnecessary energy expenditure and insufficient lighting.
- For your device to consume less energy, run it at a low speed level.
- Your device will reduce energy consumption as it will run more efficiently when you provide sufficient air intake to it.
- Set your device to the intense suction power level before the formation of steam, in cases where you know that the dense steam will occur. So, you reduce energy consumption by using your device for a shorter time as it will have a sufficient air intake.
- Keep the lids of the cookware closed to reduce the steam evolving.

3.3 Operating the Hood

- Hood is equipped with a motor having various speed settings.
- For a better performance, we advise you to use low speeds in normal conditions, and high speeds when smell and vapors are intensified.

3 Using the appliance

- You can start the hood by pressing the desired speed level key.(V1,V2,V3)
- You can illuminate the cooking area by pressing the light key (L)

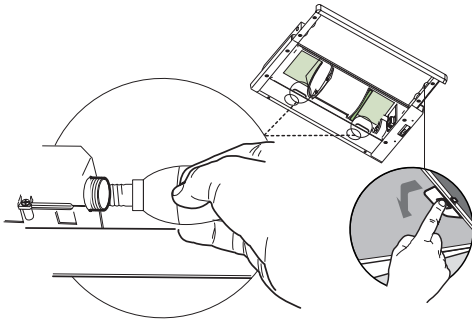
3.4 Lamp replacement




- Before replacing the light bulbs, disconnect the power supply of the hood.
- Do not touch the light bulbs when they are hot.
- Be careful not to touch the replaced light bulb directly with hands.



You may procure lamps from Authorised Service Agents.

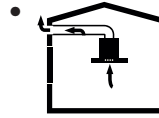


Lamp	
Bulb power	4 W
Holder/Socket	E14
Bulb voltage	220 - 240 V
ILCOS Code	D R B B / F - 4 - 2 2 0 - 240-E14-35/100
Size	35x100 mm

Luminous flux	400 lm
Correlated colour temperature	3000 K

This product contains a light source of energy efficiency class “F”.

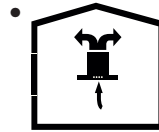
3.5 Operation with flue connection



Vapour is extracted through the flue duct, which is fastened to the connection head on the hood.

- The diameter of the flue duct must be the same as the connection ring. In horizontal settings, the pipe has to have a slight upward slope (around 10°) so that the air can exit the room easily.

3.6 Operation without flue connection



Air is filtered through the carbon filter and recirculated in the room. Carbon filter is used when it is impossible to use a flue in the house.

- In flueless use, remove the flaps inside the flue adapter.
- Remove the oil filter. To install the carbon filter, fit the filter to the tabs by centring it on the plastic piece on both sides of the fan body. Tighten it by turning right or left.
- Replace aluminium oil filter.

4 Cleaning and maintenance

The device should be cleaned and maintained regularly. Failure to keep the device clean will adversely affect the service life of the device. For cleaning and maintenance, follow the instructions stated in the manual.



Before cleaning and maintenance, unplug the product or turn off the switch.



Non-compliance with the provisions associated with the cleaning of the device and replacement of the filters may result in a risk of fire. Therefore, it is recommended to follow the guidelines stated here. The manufacturer is not responsible for the engine damages or fires originating from the improper use.

Clean using only a cloth dampened with a neutral liquid detergent. Do not use abrasive products or alcohol.

4.1 Cleaning of grease filter

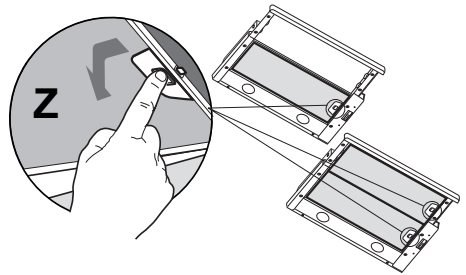
This filter captures particles in the air. You are recommended to clean your filter every month under normal usage conditions. First remove the grease filters for this process. Wash the filters with liquid detergent and rinse them with water and install them back after they get dry. Grease filters may get discolored as they are washed; this is normal and you don't need to change your filter.



You can wash the grease filter in the dishwasher



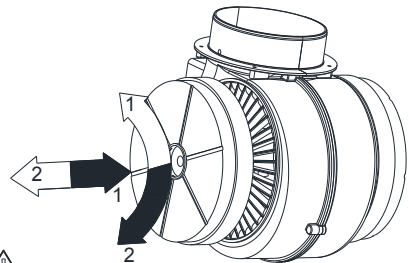
CAUTION: In case of normal use, clean your filter once in a month.



4.2 Changing of Carbon Filter (Air Circulation Mode)

The hood can be fitted with an active carbon filter. The carbon filter is applied only in case the hood is not connected to the vent duct.

When replacing the carbon filter pay attention to the type of used turbine.



Symbol  Filter installation
Symbol  Filter dismantling



WARNING:

- The carbon filter is never washed.
- Replace carbon filters once every 3 months.
- Carbon filter is available from Authorized Services.

5 Setting up the device



WARNING: Before starting the installation, read the safety information on user manual.



WARNING: Failure to install with screws and stabilizers in accordance with these instructions may result in electric shock.

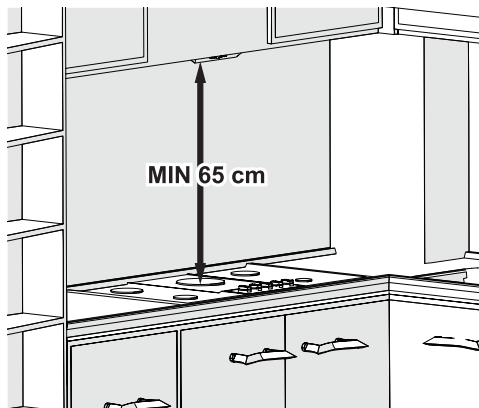


Please refer to page 266 for the installation guide.

For the installation of the hood, please contact the nearest Authorized Service.

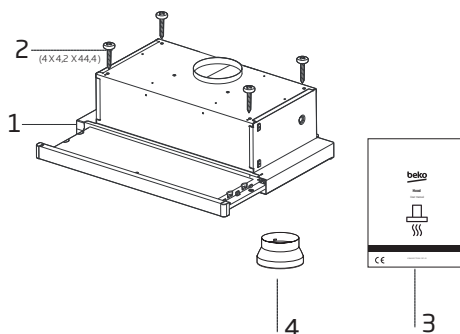
It is the customer's responsibility to prepare the location and electrical installation of the hood.

5.1 Position of the appliance



- Distance between the cooker and the cooker hood must be considered prior to assembly. This distance should be 65 cm.
- Distance must be measured from the surface of grate for gas cookers,
- from surface of glass for electric cookers.

5.2 Installation accessories



1. Hood
2. 4 X 4,2 X 44,4 screws
3. User manual
4. 1 x Ø120/150 mm plastic flue adapter

5.3 Storage

- If you do not intend to use the appliance for a long time, please store it carefully.
- Please make sure that the appliance is unplugged, cooled down and totally dry.
- Store the appliance in a cool and dry place.
- Keep the appliance out of the reach of children

5.4 Handling and transportation

- During handling and transportation, carry the appliance in its original packaging. The packaging of the appliance protects it against physical damages.
- Do not place heavy loads on the appliance or the packaging. The appliance may be damaged.
- Dropping the appliance will render it non-operational or cause permanent damage.

6 Troubleshooting

Troubleshooting	Reason	Help
The product does not work.	Check your fuse.	Your fuse might be closed, make it work.
The product does not work.	Check the electrical connection.	The mains voltage should be between 220-240 V.
The product does not work.	Check the electrical connection.	Check if the other products in your kitchen are working or not.
The lighting lamp does not work.	Check the electrical connection.	The mains voltage should be between 220-240 V.
The lighting lamp does not work.	Check the lamp switch.	The lamp switch should be in the "on" position.
The lighting lamp does not work.	Check the lamps.	The lamps of the product should not be faulty.
The air intake of the product is poor.	Check the aluminum filter.	The aluminum filter should be cleaned at least once a month under normal conditions.
The air intake of the product is poor.	Check the air vent flue.	The air vent flue should be in the "on" position.
The air intake of the product is poor.	Check the carbon filter.	For products with carbon filters, the filter should normally be changed every 3 months.

Bitte lesen Sie zunächst diese Anleitung!

Sehr geehrte Kundin, sehr geehrter Kunde,

Vielen Dank, dass Sie sich für dieses Gerät der Marke Beko entschieden haben. Wir sind überzeugt, dass Sie mit diesem Gerät, das mit den höchsten Qualitätsanforderungen und modernster Technologie hergestellt wurde, beste Ergebnisse erzielen werden. Bitte lesen Sie die gesamte Bedienungsanleitung und alle anderen Begleitdokumente aufmerksam, bevor Sie das Gerät verwenden; bewahren Sie sie zum künftigen Nachschlagen sicher auf. Wenn Sie das Gerät an jemanden weitergeben, händigen Sie ihm bitte auch diese Anleitung aus. Befolgen Sie die Anweisungen, indem Sie alle Informationen und Warnhinweise in der Bedienungsanleitung beachten.

Bitte denken Sie daran, dass diese Bedienungsanleitung eventuell für mehrere Modelle geschrieben wurde. Unterschiede zwischen den Modellen werden in der Anleitung klar und deutlich beschrieben.

Bedeutung der Symbole

Folgende Symbole werden in den verschiedenen Abschnitten dieser Anleitung verwendet:



Wichtige Informationen und nützliche Hinweise zur Verwendung.



WARNUNG: Warnhinweise zu gefährlichen Situationen im Hinblick auf die Sicherheit von Leib, Leben und Eigentum.



Warnung vor Brandgefahr.



Warnung vor Stromschlägen.



Schutzklasse gegen Stromschläge.



1 Wichtige Sicherheits- und Umwelanweisungen

1.1 Allgemeine Sicherheit

Wichtige Sicherheitsanweisungen sorgfältig lesen und zum künftigen Nachschlagen aufbewahren. Dieser Abschnitt enthält Sicherheitsanweisungen, die beim Schutz vor Personen- und Sachschäden, Bränden, Stromschlägen und dem Austreten von Mikrowellenenergie helfen. Bei Nichtbeachtung dieser Anweisungen erlischt die Gewährleistung.

- Beko-Produkte stimmen mit geltenden Sicherheitsstandards überein; daher sollten Gerät oder Netzkabel zur Vermeidung von Gefahren im Falle von Schäden durch den Händler, ein Kunden-center oder einen spezialisierten, autorisierten Serviceanbieter repariert oder ersetzt werden. Fehlerhafte oder unqualifizierte Reparaturen können Gefahren und Risiken für den Benutzer verursachen.
- Dieses Gerät ist für den Einsatz in Haushalten und ähnlichen Bereichen vorgesehen, wie:
 - In Betriebsküchen, Läden, Büros und anderen Arbeitsumgebungen;
 - Bauernhöfen;
 - Von Gästen in Hotels und anderen Wohnumgebungen;
 - Pensionen und Jugendherbergen.
- Das Gerät darf nur für seinen in dieser Anleitung beschriebenen vorgesehenen Zweck verwendet werden.
- Der Hersteller haftet nicht für Schäden, die auf unsachgemäße Installation oder fehlerhaften Gebrauch zurückzuführen sind.
- Das Gerät darf nur dann von Kindern ab 8 Jahren und Personen mit körperlichen oder geistigen Einschränkungen genutzt werden, wenn diese beaufsichtigt werden oder gründlich über den richtigen und sicheren Umgang mit dem Gerät aufgeklärt wurden und sich sämtlicher möglicher Gefahren bewusst sind.
- Kinder dürfen nicht mit dem Gerät spielen. Reinigungs- und Wartungsarbeiten dürfen nicht

1 Wichtige Sicherheits- und Umwelanweisungen

unbeaufsichtigt von Kindern ausgeführt werden.

- Der Abstand zwischen der Stützfläche für Kochgeschirr auf dem Kochfeld und dem niedrigsten Teil der Abzugshaube muss mindestens 65 cm betragen.
- Falls die Anweisungen zur Installation eines Gasherdes einen größeren Abstand angeben, ist dieser einzuhalten.
- Stellen Sie sicher, dass Ihre Stromversorgung mit den Angaben am Typenschild des Gerätes übereinstimmt.
- Benutzen Sie das Gerät niemals, wenn das Netzkabel oder das Gerät selbst beschädigt ist.
- Vermeiden Sie Schäden am Netzkabel, indem Sie es nicht quetschen, knicken oder über scharfe Kanten ziehen. Halten Sie das Netzkabel von heißen Oberflächen und offener Flamme fern.
- Verwenden Sie das Gerät nur mit einer geerdeten Steckdose.

WARNUNG: Schließen Sie das Gerät erst nach vollständig ab-

geschlossener Installation an das Stromnetz an.

- Stellen Sie das Gerät so auf, dass der Netzstecker immer zugänglich ist.
- Berühren Sie die Lampen nicht, falls sie lange Zeit in Betrieb waren. Sie könnten sich die Finger verbrennen, da die Lampen heiß werden.
- Befolgen Sie die von zuständigen Behörden festgelegten Richtlinien zum Abführen von Abluft (diese Warnung ist bei Einsatz ohne Abzug nicht zutreffend).
- Nehmen Sie Ihr Gerät erst in Betrieb, nachdem Sie ein Kochgeschirr auf das Kochfeld gestellt haben. Andernfalls könnte hohe Hitze zur Verformung von Teilen Ihres Geräts führen.
- Schalten Sie die Kochfelder ab, bevor Sie das Kochgeschirr herunternehmen.
- Lassen Sie kein heißes Öl auf das Kochfeld gelangen. Kochgeschirr mit heißem Öl kann sich selbst entzünden.

1 Wichtige Sicherheits- und Umwelanweisungen

- Achten Sie auf Vorhänge und Abdeckungen, da Öl beim Zubereiten von Lebensmitteln, wie Pommes frites, Feuer fangen kann.
- Der Fettfilter muss mindestens einmal im Monat ersetzt werden. Der Kohlefilter muss mindestens alle 3 Monate ersetzt werden.
- Das Produkt muss entsprechend der Bedienungsanleitung gereinigt werden. Falls die Reinigung nicht entsprechend der Bedienungsanleitung durchgeführt wird, besteht Brandgefahr.
- Verwenden Sie kein nicht feuerbeständiges Filtermaterial anstelle des aktuellen Filters.
- Verwenden Sie nur Originalteile und vom Hersteller empfohlene Teile.
- Verwenden Sie das Gerät nicht ohne Filter. Entfernen Sie die Filter nicht, während das Gerät läuft.
- Sollte sich etwas entzünden, unterbrechen Sie als erstes sofort die Energieversorgung.
- Ersticken Sie ein Feuer mit einer geeigneten Decke oder ähnlich, verwenden Sie zum Löschen niemals Wasser.
- Trennen Sie das Gerät vor jeder Reinigung und bei Nichtbenutzung von der Stromversorgung.
- Der Unterdruck in der Umgebung darf 4 Pa (4×10^{-2} bar) nicht überschreiten, während die Dunstabzugshaube für das elektrische Kochfeld und Geräte mit einer anderen Energiequelle als Strom gleichzeitig laufen.
- Falls sich ein mit Heizöl oder Brenngasen betriebenes Gerät, z. B. Heizungen, in der Nähe der Dunstabzugshaube befindet, muss die Abluft dieses Gerätes vollständig getrennt abgeführt werden oder es muss hermetisch sein.
- Verwenden Sie zum Anschluss des Abzugs Rohre mit einem Durchmesser von 120 oder 150 mm. Der Rohranschluss muss möglichst kurz sein und sollte möglichst wenige Biegungen aufweisen.

1 Wichtige Sicherheits- und Umwelanweisungen

- **Verschluckungsgefahr!** Halten Sie alle Verpackungsmaterialien von Kindern fern.

ACHTUNG: Zugängliche Teile können bei Verwendung mit Kochgeräten heiß werden.

- Der Auslass des Produktes darf nicht an Luftkanäle angeschlossen werden, die auch andere Abluft abführen.
- Die Belüftung im Raum reicht möglicherweise nicht aus, wenn die Abzugshaube für das elektrische Kochfeld gemeinsam mit Geräten, die mit Gas oder anderen Kraftstoffen laufen, betrieben wird (dies trifft möglicherweise nicht auf Geräte zu, die Luft zurück in den Raum abgeben).
- Auf dem Produkt platzierte Gegenstände könnten herunterfallen. Stellen Sie keine Gegenstände auf das Produkt.
- Flambieren Sie nicht unter dem Gerät.

WARNUNG: Entfernen Sie vor Installation der Dunstabzugshaube die Schutzfolien.

- Achten Sie darauf, dass niemals hohe offene Flammen unter der Dunstabzugshaube entstehen, wenn diese in Betrieb ist.
- Fritteusen müssen während der Benutzung kontinuierlich überwacht werden; überhitztes Öl kann Feuer fangen.

1.2 Ihre Pflichten als Endnutzer



Dieses Produkt erfüllt die Vorgaben der EU-WEEE-Direktive (2012/19/EU). Das Produkt wurde mit einem Klassifizierungssymbol für elektrische und elektronische Altgeräte (WEEE) gekennzeichnet.

Dieses Elektro- bzw. Elektronikgerät ist mit einer durchgestrichenen Abfalltonne auf Rädern gekennzeichnet. Das Gerät darf deshalb nur getrennt vom unsortierten Siedlungsabfall gesammelt und zurückgenommen werden. Es darf somit nicht in den Hausmüll gegeben werden. Das Gerät kann z.B. bei einer kommunalen Sammelstelle oder ggf. bei einem Vertreter (siehe unten zu deren Rücknahmepflichten in Deutschland) abgegeben werden.

Das gilt auch für alle Bauteile, Unterbaugruppen und Verbrauchsmaterialien des zu entsorgenden Altgeräts.

Bevor das Altgerät entsorgt werden darf, müssen alle Altbatterien und Altkumulatoren vom Altgerät getrennt werden, die nicht vom Altgerät umschlossen sind. Das gleiche gilt für Lampen, die zerstörungsfrei aus dem Altgerät entnommen werden können. Der Endnutzer ist zudem selbst dafür verantwortlich, personenbezogene Daten auf dem Altgerät zu löschen.

1 Wichtige Sicherheits- und Umwelanweisungen

Die ordnungsgemäße Entsorgung gebrauchter Geräte trägt dazu bei, mögliche negative Folgen für die Umwelt und die menschliche Gesundheit zu vermeiden.

1.3 Hinweise zum Recycling



Helfen Sie mit, alle Materialien zu recyceln, die mit diesem Symbol gekennzeichnet sind. Entsorgen Sie solche Materialien, insbesondere

Verpackungen, nicht im Hausmüll, sondern über die bereitgestellten Recyclingbehälter oder die entsprechenden örtlichen Sammelsysteme.

Recyceln Sie zum Umwelt- und Gesundheitsschutz elektrische und elektronische Geräte.

1.4 Rücknahmepflichten der Vertreiber

Wer auf mindestens 400 m² Verkaufsfläche Elektro- und Elektronikgeräte vertreibt oder diese gewerblich an Endnutzer abgibt, ist verpflichtet, bei Abgabe eines neuen Gerätes, ein Altgerät des Endnutzers der gleichen Geräteart, das im Wesentlichen die gleichen Funktionen wie das neue Gerät erfüllt, am Ort der Abgabe oder in unmittelbarer Nähe, unentgeltlich zurückzunehmen. Das gilt auch für Vertreiber von Lebensmitteln mit einer Gesamtverkaufsfläche von mindestens 800 m², die mehrmals im Kalenderjahr oder dauerhaft Elektro- und Elektronikgeräte anbieten und auf dem Markt bereitstellen. Solche Vertreiber müssen zudem auf Verlangen des Endnutzers Altgeräte, die in keiner äußeren Abmessung größer als 25 cm sind, (kleine Elektrogeräte) im Einzelhandelsgeschäft oder in unmittelbarer Nähe hierzu unentgeltlich zurückzunehmen; die Rücknahme darf in diesem Fall nicht an den Kauf eines Elektro- oder Elektronikgerätes verknüpft, kann aber auf drei Altgeräte pro Geräteart beschränkt werden.

Ort der Abgabe ist auch der private Haushalt, wenn das neue Elektro- oder Elektronikgerät dorthin geliefert wird; in diesem Fall ist die Abholung des Altgerätes für den Endnutzer kostenlos.

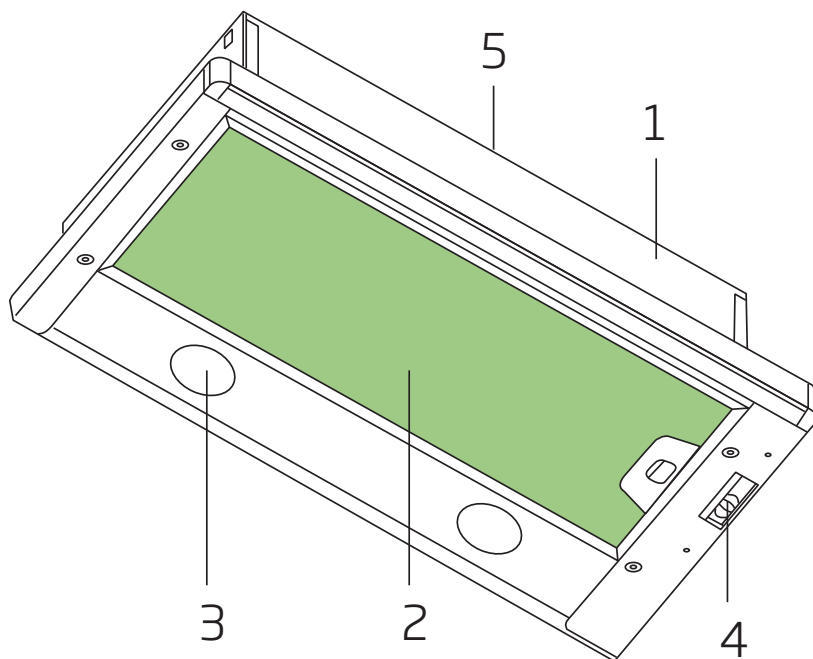
Die vorstehenden Pflichten gelten auch für den Vertrieb unter Verwendung von Fernkommunikationsmitteln, wenn die Vertreiber Lager- und Versandflächen für Elektro- und Elektronikgeräte bzw. Gesamtlager und Versandflächen für Lebensmittel beinhalten, die den oben genannten Verkaufsflächen entsprechen. Die unentgeltliche Abholung von Elektro- und Elektronikgeräten ist dann aber auf Wärmeüberträger (z.B. Kühlschrank), Bildschirme, Monitore und Geräte, die Bildschirme mit einer Oberfläche von mehr als 100 cm² enthalten und Geräte beschränkt, bei denen mindestens eine der äußeren Abmessungen mehr

1.5 Einhaltung von RoHS-Vorgaben

Das von Ihnen erworbene Produkt erfüllt die Vorgaben der EU-RoHS Richtlinie (2011/65/EU). Es enthält keine in der Richtlinie angegebenen gefährlichen und unzulässigen Materialien.

2 Allgemeines Aussehen

2.1 Überblick



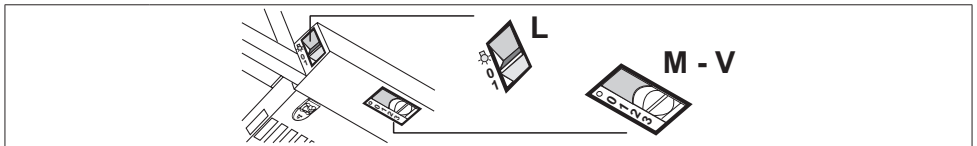
1. Gehäuse
2. Fettfilter aus Aluminium
3. Beleuchtung
4. Bedienfeld
5. Rauchabzug

2.2 Technische Daten

Modell	CTB 6250 X CTB 6250 B CTB 6250 W CTB 6250 XH	CTB 9250 X CTB 9250 XH
Netzspannung	220-240V ~ 50 Hz	
Lampenleistung	2x4 W	
Motorleistung	1 x 140 W	
Luftdurchsatz – 3. Stufe	420 m³/h	
Isolationsklasse	KLASSE II	

3 Verwendung des Geräts

3.1 Bedienfeld



L: Beleucht	Schaltet die Beleuchtung ein und aus.
M: Motor	Schaltet den Gebläsemotor ein und aus .
V: Geschw.	Steuert folgende Geschwindigkeitsstufen: 1. Geringste Gebläsestufe, diese Stufe ist für einen ständigen und besonders leisen Luftaustausch bei geringer Kochdunstenentwicklung geeignet; 2. Mittlere Gebläsestufe, eignet sich aufgrund des guten Verhältnisses zwischen Fördervolumen und Geräuscentwicklung für die meisten Anwendungssituationen; 3. Höchste Gebläsestufe, eignet sich für starke Kochdunstenentwicklung, auch über längere Zeit hin.

- Die Dunstabzugshaube ist ausschließlich für die Nutzung in Privathaushalten zur Vermeidung von Küchengeruch vorgesehen.
- Die Haube darf keinesfalls aus anderen Gründen als denjenigen verwenden, für die sie entwickelt wurde.
- Entzünden Sie niemals eine offene Flamme unter Haube, wenn das Gerät in Betrieb ist.
- Stellen Sie die Stärke einer Flamme so ein, dass diese stets unter dem Boden von Pfannen und Töpfen verbleibt, und achten Sie darauf, dass die Flamme niemals an den Seiten hochschlägt.
- Fritteusen müssen während einer Verwendung ständig beaufsichtigt werden, da sich überhitztes Öl entzünden kann.

3.2 Effiziente und energiesparende Nutzung

- Wenn Sie Ihr Gerät benutzen, passen Sie die Geschwindigkeitseinstellungen je nach Dampf- und Geruchsintensität an, um Energie zu sparen.
- Verwenden die niedrige bzw. mittlere Stufe (1-2) unter Normalbedingungen und die höchste Stufe (3) bei intensiver Dunst- und Geruchsentwicklung.
- Die Lampen der Dunstabzugshaube sind so angebracht, dass sie den Herdbereich beleuchten.
- Ihr Nutzung für die Beleuchtung der Küche kann zu unnötigen zusätzlichen Stromkosten führen, ohne dass die Raumbelichtung ausreichend wäre.
- Damit Ihr Gerät weniger Energie verbraucht, sollten Sie es mit einer niedrigen Geschwindigkeit laufen lassen.
- Ihr Gerät reduziert den Energieverbrauch und arbeitet effizienter, wenn Sie für eine ausreichende Luftzufuhr sorgen.
- Stellen Sie Ihr Gerät auf eine Stufe mit starker Ansaugleistung, bevor sich Dämpfe entwickeln, wenn eine starke Dampfentwicklung zu erwarten ist. So reduzieren Sie den Energieverbrauch, weil Sie das Gerät weniger lange einsetzen müssen, da die Luftzufuhr ausreichend ist.
- Kochen Sie möglichst mit geschlossenem Deckel, sodass weniger Dampf entweichen kann.

3 Verwendung des Geräts

3.3 Bedienung der Dunstabzugshaube

- Die Dunstabzugshaube ist mit einem Motor mit verschiedenen Geschwindigkeitseinstellungen ausgestattet.
- Für eine bessere Leistung empfehlen wir Ihnen, unter normalen Bedingungen niedrige Geschwindigkeiten und wenn Geruch und Dämpfe verstärkt werden, hohe Geschwindigkeiten zu verwenden.
- Sie können die Dunstabzugshaube starten, indem Sie die gewünschte Geschwindigkeitsstufe drücken. (V1, V2, V3)
- Durch Drücken der Lichttaste L können Sie die Kochstelle beleuchten. (L)

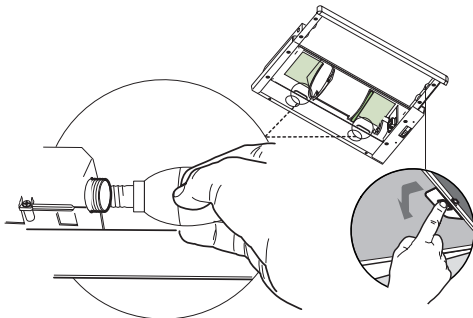
3.4 Lampenwechsel




- Vor dem Austausch der Leuchten müssen Sie die Stromzufuhr unterbrechen.
- Berühren Sie die Leuchten niemals im erhitzten Zustand.
- Achten Sie darauf, dass Sie die ausgetauschte Leuchte nicht mit den Händen berühren.



Sie können Leuchten über unsere vertraglichen Kundendienstanbieter beziehen.



Glühlampe	
Leistung der Lampe	4 W
Halter / Sockel	E14
Die Spannung der Glühlampe	220 - 240 V
Größe	DRBB/F-4-220-240-E14-35/100
ILCOS-Code	35x100 mm
Lichtstrom	400 lm
Korrelierte Farbtemperatur	3000 K

Dieses Produkt enthält eine Lichtquelle der Energieeffizienzklasse "F".

3.5 Verwendung mit Abluftkanalanschluss

-  Der Dampf wird durch das Abluftrohr, der am Anschlusskopf der Abzugshaube auf dem Herd befestigt ist, abgesaugt.
- Der Durchmesser des Abluftrohrs muss dem Durchmesser des Anschlussrings entsprechen. Bei horizontaler Anordnung muss das Rohr ein leichtes Gefälle (ca. 10°) nach oben haben, damit die Luft leicht aus dem Raum austreten kann.

3.6 Verwendung ohne Abluftkanalanschluss

-  Die Luft wird durch den Kohlefilter gefiltert und im Raum rezirkuliert. Der Kohlefilter wird verwendet, wenn es unmöglich ist, einen Rauchabzug im Haus zu benutzen.
- Im rauchgaslosen Betrieb sind die Klappen im Inneren des Rauchgasadapters zu entfernen.
- Entfernen Sie den Fettfilter. Zum Einbau des Kohlefilters den Filter auf die Laschen aufsetzen, indem Sie ihn auf dem Kunststoffteil auf beiden Seiten des Gebläsegehäuses zentrieren. durch Rechts- oder Linksdrehung festziehen.
- Fettfilter ersetzen.

4 Reinigung und Wartung

Das Gerät sollte regelmäßig gereinigt und gewartet werden. Ein unzureichend gereinigtes Gerät hat negative Folgen für die Lebensdauer des Geräts. Für Transport und Wartung befolgen Sie bitte die Anweisungen in der Bedienungsanleitung.



Ziehen Sie vor der Reinigung und Wartung den Netzstecker und schalten Sie den Schalter aus.



Die Nichteinhaltung der Reinigungsanweisungen für das Gerät und sowie der Anweisungen zum Filterwechsel kann zu akuter Brandgefahr führen. Daher wird dringend empfohlen, die hier gegebenen Anweisungen zu befolgen. Der Hersteller haftet nicht für Geräte- oder Brandschäden, die aus einer unsachgemäßen Verwendung herrühren.

Reinigen Sie das Gerät nur mit einem feuchten Tuch und einem neutralen Flüssigreiniger. Verwenden Sie keinesfalls Instrumente oder Werkzeuge für eine Reinigung. Verwenden Sie keine ätzenden oder scheuernden Reinigungsmittel. Verwenden Sie keine alkoholhaltigen Reinigungsmittel

4.1 Reinigung des Fettfilters

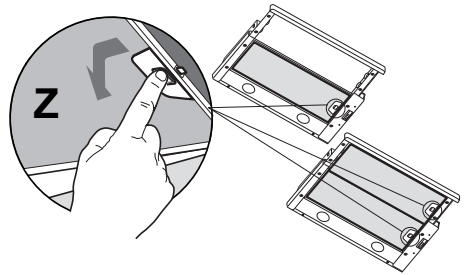
Der Fettfilter hält die Ölpartikel in der Luft zurück. Fettfilter können nach wiederholter Reinigung ihre Farbe ändern. Dies ist normal und erfordert keinen Filterwechsel.



Sie können den Fettfilter in der Spülmaschine waschen.



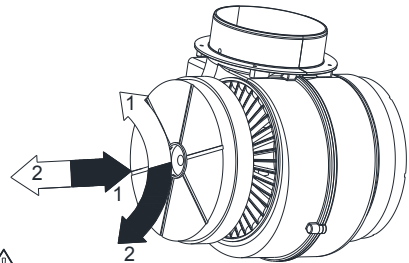
WARNUNG: Reinigen Sie Ihren Fettfilter bei normalem Gebrauch einmal pro Monat.



4.2 Austausch des Kohlefilters

Geruchsbeseitigende Filter enthalten Holzkohle (Aktivkohle). Aluminium-Fettfilter müssen in das Produkt eingebaut werden, unabhängig davon, ob Kohlenstofffilter verwendet werden.

When replacing the carbon filter pay attention to the type of used turbine.



Symbol Filter installation
Symbol Filter dismantling

WARNUNG

- Der Aktivkohlefilter darf niemals gewaschen werden.
- Ersetzen Sie die Kohlefilter einmal alle 3 Monate.
- Sie können den Aktivkohlefilter bei autorisierten Servicehändlern beziehen.

5 Aufbau des Geräts



WARNUNG: Lesen Sie vor Beginn der Installation die Sicherheitshinweise im Benutzerhandbuch.



WARNUNG: Wenn Sie nicht mit Schrauben und Stabilisatoren gemäß diesen Anweisungen installieren, kann dies zu einem elektrischen Schlag führen.

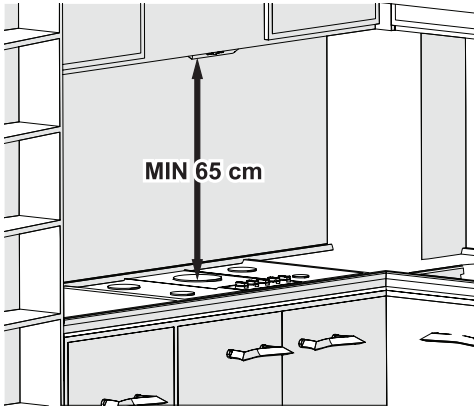


Lesen Sie dazu auch Seite 266 mit der Aufbauanleitung

Um die Dunstabzugshaube zu installieren, wenden Sie sich bitte an den nächstgelegenen autorisierten Kundendienst.

Es liegt in der Verantwortung des Kunden, den Standort der Dunstabzugshaube und die elektrische Installation vorzubereiten.

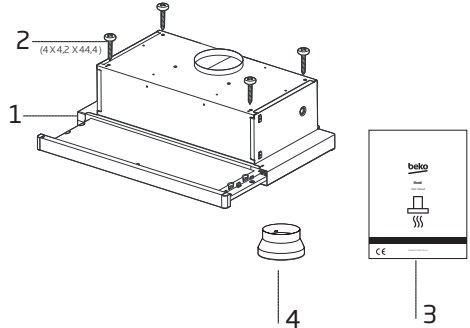
5.1 Positionierung des Geräts



- Der Abstand zwischen dem Herd und der Abzugshaube muss vor der Montage berücksichtigt werden. Dieser Abstand sollte 65 cm betragen.
- Der Abstand muss bei Gasherden von der Oberfläche des Rostes.

- Und bei Elektroherden von der Oberfläche des Glases gemessen werden.

5.2 Installationszubehör



1. Haube
2. 4 x 4,2 x 44,4 Schrauben
3. Bedienungsanleitung
4. 1 x Kunststoff abzugadapter Ø120/150 mm

5.3 Lagerung

- Lagern Sie das Gerät sorgfältig, wenn Sie es längere Zeit nicht benutzen sollten.
- Sorgen Sie dafür, dass das Gerät vom Stromnetz getrennt, gänzlich abgekühlt und trocken ist.
- Lagern Sie das Gerät an einem kühlen, trockenen Ort.
- Halten Sie das Gerät von Kindern fern.

5.4 Handhabung und Transport

- Tragen Sie das Gerät während der Handhabung und des Transports in der Originalverpackung.
- Die Verpackung des Geräts schützt es vor physischen Schäden.
- Legen Sie keine schweren Lasten auf das Gerät oder auf die Verpackung. Das Gerät kann beschädigt werden.

6 Fehlerbehebung

Fehlerbehebung	Grund	Hilfe
Das Produkt funktioniert nicht.	Überprüfen Sie Ihre Sicherung	Ihre Sicherung könnte geschlossen sein, sorgen Sie dafür, dass sie funktioniert.
Das Produkt funktioniert nicht.	Überprüfen Sie die elektrische Verbindung.	Die Netzspannung sollte zwischen 220-240V liegen.
Das Produkt funktioniert nicht.	Überprüfen Sie die elektrische Verbindung.	Überprüfen Sie, ob die anderen Produkte in Ihrer Küche funktionieren oder nicht.
Die Beleuchtung Lampe funktioniert nicht.	Überprüfen Sie die elektrische Verbindung.	Die Netzspannung sollte zwischen 220-240V liegen.
Die Beleuchtung Lampe funktioniert nicht.	Überprüfen Sie den Lampenschalter.	Der Lampenschalter sollte sich in der Position "Ein/on" befinden.
Die Beleuchtung Lampe funktioniert nicht.	Überprüfen Sie die Lampen.	Die Lampen des Produkts sollten nicht defekt sein.
Die Luftzufuhr des Produkts ist schlecht.	Prüfen Sie den Aluminiumfilter.	Der Aluminium-Ölfilter sollte unter normalen Bedingungen mindestens einmal im Monat gereinigt werden.
Die Luftzufuhr des Produkts ist schlecht.	Überprüfen Sie den Abluftkamin.	Der Entlüftungskanal sollte sich in der "Ein" Stellung befinden.
Die Luftzufuhr des Produkts ist schlecht.	Überprüfen Sie den Kohlefilter.	Bei Produkten mit Kohlefilter sollte der Filter normalerweise alle 3 Monate gewechselt werden.

Garantiebedingungen

Anschrift:

Beko Grundig Deutschland GmbH
Rahmannstraße 3
65760 Eschborn

Kundendienst-Tel.: 06102-86 86 891

Fax: 01805-414 400 *

E-Mail: Kundendienst@beko.com

Ersatzteile-Tel.: 01805-242 515 *

Fax: 01805-345 001*

E-Mail: ersatzteile@beko.com

Sehr geehrte Kundin, sehr geehrter Kunde,

wir gratulieren Ihnen zum neuen Gerät der Marke Beko und wünschen Ihnen viel Freude daran. Sollten Sie dennoch einmal einen Grund zu einer Reklamation erkennen, dann wenden Sie sich bitte an unseren Kundendienst. Geben Sie im Falle einer Störung Ihre genaue Anschrift, Telefonnummer und den GERÄTETYP (vom Typenschild des Gerätes) an.

Hinweis für Kühl- und Gefriergeräte, Achtung!

Um voll funktionsfähig zu sein, benötigt Ihr Gerät nach dem Transport ca. 24 Stunden, in denen sich das Kühlmittel stabilisiert. Sofern es nicht vermeidbar ist und Sie das Gerät sofort nach Aufstellung mit Gefriergut bestücken wollen, müssen Sie damit rechnen, dass die rote Lampe bis zur Stabilisierung des Kühlkreislaufs aufleuchtet. Die Kühlleistung beginnt jedoch vom Augenblick des Anschlusses an sich auf zu bauen.

Die Garantiezeit beträgt 24 Monate ab Kaufdatum.

Bedingungen:

Dieses Gerät wurde nach den modernsten Methoden hergestellt und geprüft. Der Hersteller leistet unabhängig von der gesetzlichen Gewährleistungsverpflichtung des Verkäufers / Händlers für die Dauer von 24 Monaten, gerechnet vom Tag des Kaufes, Garantie für einwandfreies Material und fehlerfreie Fertigung.

Der Garantieanspruch erlischt bei Eingriffen durch den Käufer oder durch Dritte, die vom Hersteller nicht für den Service autorisiert sind oder wenn das Gerät zu gewerblichen Zwecken eingesetzt wird. Schäden die durch unsachgemäße Behandlung oder Bedienung, durch falsches Aufstellen oder Aufbewahren, durch unsachgemäßen Anschluss, oder fehlerhafte Installationen sowie durch höhere Gewalt oder sonstige äußere Einflüsse entstehen, fallen nicht unter die Gewährleistung.

Abhilfemöglichkeiten:

Wir behalten uns vor, bei Reklamationen die defekten Teile auszubessern oder zu ersetzen oder das Gerät auszutauschen. Ausgetauschte Teile oder ausgetauschte Geräte gehen in unser Eigentum über. Nur wenn durch Nachbesserung(en) oder Umtausch des Gerätes die herstellereitig vorgesehene Nutzung endgültig nicht zu erreichen sein sollte, kann der Käufer aus Gewährleistung innerhalb von 24 Monaten, gerechnet vom Tag des Kaufes, Herabsetzung des Kaufpreises oder Aufhebung des Kaufvertrages verlangen. Nachbesserungen verlängern nicht die Gewährleistungszeit. Schadenersatzansprüche, auch hinsichtlich Folgeschäden, sind, soweit sie nicht auf Vorsatz oder grober Fahrlässigkeit beruhen, ausgeschlossen.

Bei unnötiger oder unberechtigter Beanspruchung des Kundendienstes berechnet dieser Zeit- und Wegeentgelt. Reklamationen sind unmittelbar nach Feststellung zu melden. Der Garantieanspruch ist vom Käufer, durch Vorlage der Kaufquittung, nachzuweisen. Bei Nicht-vorlage ist die Reparatur kostenpflichtig. Eine Rückerstattung – nach späterer Einsendung der Kaufquittung – kann nur innerhalb von einem Monat nach Rechnungsdatum gewährt werden.

**Diese Garantiezusage ist gültig innerhalb der Bundesrepublik Deutschland
(*) 0,14 EUR/Min. aus dem Festnetz der T-Com; Mobilfunk max. 0,42 EUR/Min. (nur für Deutschland)**

Avant toute chose, veuillez lire ce manuel d'utilisation !

Chère cliente, cher client,

Merci d'avoir choisi cet appareil Beko. Nous espérons que cet appareil, fabriqué dans des installations modernes et soumis à un processus de contrôle qualité rigoureux, vous offre les meilleures performances possible. C'est pourquoi nous vous recommandons, avant d'utiliser l'appareil, de lire attentivement et complètement ce manuel d'utilisation ainsi que tous les autres documents fournis et de les conserver soigneusement pour une utilisation future. Si vous cédez l'appareil à quelqu'un d'autre, remettez-lui également le manuel d'utilisation. Suivez les instructions en accordant une attention particulière à toutes les informations et les avertissements contenus dans le manuel d'utilisation.

Notez que ce manuel d'utilisation peut également s'appliquer à d'autres modèles. Les différences entre les modèles sont clairement décrites dans le manuel.

Signification des symboles

Les pictogrammes suivants sont repris tout au long de ce manuel :

	Informations importantes et conseils utiles concernant l'utilisation de l'appareil.
--	---

	AVERTISSEMENT: Avertissement sur les situations dangereuses concernant la sécurité des biens et des personnes.
--	---

	AVERTISSEMENT: Avertissement contre le risque d'incendie.
---	--

	AVERTISSEMENT: Avertissement contre le risque d'électrocution.
--	---

	Classe de protection contre les chocs électriques.
---	--



Points de collecte sur www.quefairedemesdechets.fr
Privilégiez la réparation ou le don de votre appareil !



1 Instructions importantes en matière de sécurité et d'environnement

1.1 Consignes générales de sécurité

Consignes de sécurité importantes - Lire attentivement et conserver pour référence ultérieure. Cette section contient les consignes de sécurité qui aident à se prémunir contre les risques d'incendie, d'électrocution, d'exposition aux fuites d'énergie à micro-ondes, de dommages corporels ou de dégâts matériels. Le non-respect de ces instructions entraînera l'annulation de toute garantie.

- Les produits Beko sont conformes aux normes de sécurité applicables. Par conséquent, en cas de dommage sur l'appareil ou son câble d'alimentation, le faire réparer ou remplacer par le revendeur, le centre SAV, un spécialiste ou des services habilités afin de prévenir tout danger. Des réparations défectueuses et non professionnelles peuvent être sources de danger et de risque pour l'utilisateur.
- Cet appareil est conçu pour un usage domestique et des utilisations similaires comme :
 - dans les coins cuisine du personnel dans les magasins, bureaux, et autres environnements de travail ;
 - les fermes
 - Par les clients des hôtels et autres types d'environnements résidentiels ;
 - et dans les chambres d'hôte.
- Utiliser l'appareil uniquement aux fins pour lesquelles il a été conçu, comme décrit dans les présentes instructions.
- Le fabricant n'est pas responsable des dommages résultant d'une mauvaise installation ou d'une mauvaise utilisation du produit.
- Cet appareil peut être utilisé par des enfants de 8 ans minimum, des personnes à capacités physiques, sensorielles ou mentales réduites et des personnes manquant d'expérience ou de connaissances suffisantes en la matière, à condition qu'elles

1 Instructions importantes en matière de sécurité et d'environnement

aient été préparées à un maniement sécurisé de l'appareil et qu'elles aient pleinement conscience des risques encourus.

- Les enfants n'ont pas le droit de jouer avec l'appareil. Le nettoyage et l'entretien de l'appareil ne doivent pas être effectués par des enfants laissés sans surveillance.
- La distance minimale entre la surface d'appui des récipients de cuisson sur la plaque de cuisson et la partie la plus basse de votre produit doit être d'au moins 65 cm.
- Si des instructions relatives à l'installation de la plaque à gaz exigent plus de distance, prenez-les en compte.
- S'assurer que la source d'alimentation électrique est conforme aux informations spécifiées sur la plaque signalétique de l'appareil.
- Ne jamais utiliser l'appareil si le câble d'alimentation ou l'appareil lui-même est endommagé.
- Pour éviter d'endommager le

câble d'alimentation, éviter de l'aplatir, de le plier ou même de le frotter contre des bords coupants. Éloigner le câble d'alimentation de toute surface brûlante et des flammes.

- Utilisez l'appareil uniquement avec une prise de terre.

AVERTISSEMENT: Ne branchez pas l'appareil sur le secteur avant la fin de l'installation.

- Placer l'appareil de sorte que la prise soit toujours accessible.
- Ne touchez pas les lampes si elles ont été utilisées pendant une longue période. Elles sont chaudes et risqueraient donc de provoquer des brûlures aux mains.
- Respectez la réglementation des autorités compétentes en matière d'évacuation de l'air évacué (cette mise en garde ne s'applique pas à l'utilisation sans conduit).
- Faites fonctionner votre appareil après avoir posé une casserole, une poêle, etc. sur la plaque de cuisson. Autrement, la

1 Instructions importantes en matière de sécurité et d'environnement

température élevée peut provoquer la déformation de certaines pièces de votre produit.

- Éteignez la plaque de cuisson avant d'en retirer la casserole, la poêle, etc.
- Ne laissez pas d'huile chaude sur la plaque de cuisson. Les casseroles contenant de l'huile chaude peuvent s'enflammer.
- Faites attention à vos rideaux et à vos couvertures, car l'huile peut prendre feu pendant la cuisson de certains aliments, comme les frites.
- Le filtre à graisse doit être remplacé au moins une fois par mois. Le filtre à charbon doit être remplacé au moins tous les 3 mois.
- Le produit doit être nettoyé conformément au manuel d'utilisation. Si le nettoyage n'a pas été effectué conformément au manuel d'utilisation, il peut y avoir un risque d'incendie.
- N'utilisez pas de matériaux filtrants ignifuges à la place des filtres actuels.
- Utilisez uniquement des pièces d'origine ou pièces recommandées par le fabricant.
- N'utilisez jamais l'appareil sans le filtre et ne retirez pas les filtres lorsque l'appareil est en marche.
- En cas d'apparition d'une flamme, éteignez votre produit et vos appareils de cuisson.
- En cas d'apparition d'une flamme, couvrez la flamme et n'utilisez jamais d'eau pour l'éteindre.
- Débranchez l'appareil avant chaque nettoyage et lorsque l'appareil n'est pas en cours d'utilisation.
- La pression négative dans l'environnement ne doit pas dépasser 4 Pa (4 x 10 bars) lorsque la hotte de la table de cuisson électrique et les appareils fonctionnant avec un autre type d'énergie que l'électricité fonctionnent simultanément.
- Dans l'environnement dans lequel l'appareil est utilisé, les gaz résiduels des appareils fonctionnant au fioul ou au gaz, tels

1 Instructions importantes en matière de sécurité et d'environnement

que le chauffage de la pièce, doivent être totalement isolés ou l'appareil doit être de type étanche.

- Pour le raccordement du conduit, utilisez des tuyaux d'un diamètre de 120 ou 150 mm. Le raccordement du tuyau doit être aussi court que possible et avoir le minimum de coudes que possible.
- Risque d'étranglement ! Conservez tous les emballages hors de portée des enfants.

ATTENTION: Les pièces accessibles peuvent devenir chaudes lorsqu'elles sont utilisées avec des appareils de cuisson.

- Ne connectez pas la prise du produit aux canaux d'air qui contiennent d'autres fumées.
- La ventilation de la pièce peut être insuffisante lorsque la hotte de la table de cuisson électrique est utilisée en même temps que les appareils fonctionnant au gaz ou avec d'autres combustibles (ceci peut ne pas s'appliquer aux appareils qui rejettent uniquement l'air dans la pièce).

- Les objets placés sur le produit peuvent tomber. Ne posez aucun objet sur le produit.

- Ne brûlez rien sous votre produit.

AVERTISSEMENT: Retirez les films protecteurs avant d'installer la hotte.

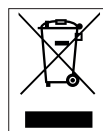
- Ne laissez jamais des grandes flammes nues sous la hotte lorsqu'elle est en fonctionnement.

- Gardez les friteuses en permanence sous surveillance pendant l'utilisation : de l'huile surchauffée peut prendre feu.

- Les pièces détachées d'origine sont disponibles pendant 12 ans, à compter de la date d'achat du produit.

1.2 Conformité avec la Directive DEEE et Mise au rebut des appareils usagés :

Cet appareil est conforme à la directive DEEE. (2012/19/UE). Cet appareil porte le symbole de classification pour les déchets des équipements électriques et électroniques (DEEE).



Ce symbole indique que ce produit ne doit pas être jeté avec les déchets ménagers à la fin de sa vie utile. Les appareils usagés doivent être retournés au point de collecte officiel pour le recyclage des appareils électriques et

1 Instructions importantes en matière de sécurité et d'environnement

électroniques. Pour trouver ces systèmes de collecte, veuillez contacter les autorités locales ou le détaillant auprès duquel vous avez acheté le produit. Chaque ménage joue un rôle important dans la récupération et le recyclage des appareils ménagers usagés. L'élimination appropriée des appareils usagés aide à prévenir les conséquences négatives potentielles pour l'environnement et la santé humaine.

1.3 Conformité avec la directive RoHS

L'appareil que vous avez acheté est conforme à la Directive RoHS de l'UE (2011/65/UE). Il ne contient pas de matières dangereuses et interdites spécifiées dans la directive.

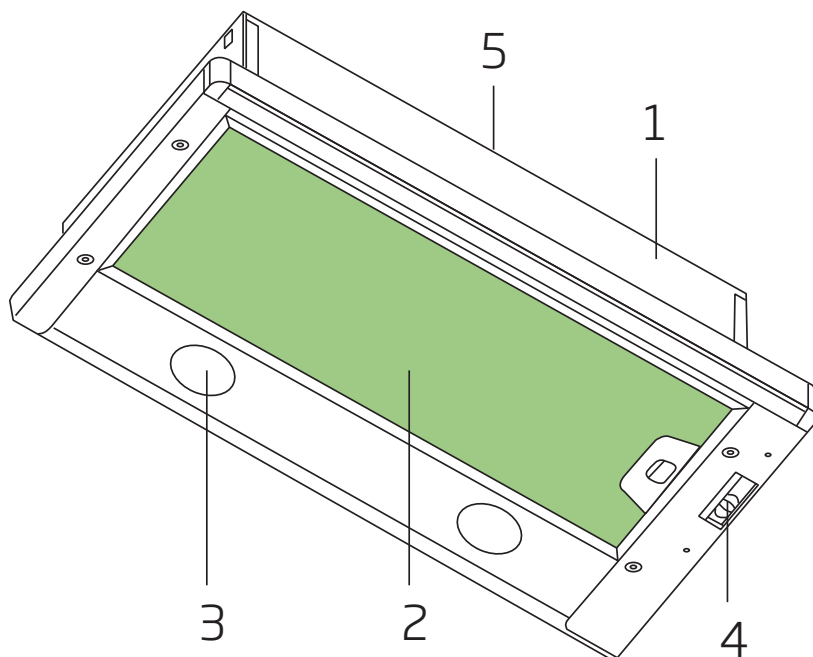
1.4 Informations concernant l'emballage



Les matériaux d'emballage du produit sont fabriqués à partir de matériaux recyclables conformément à notre réglementation nationale sur la protection de l'environnement. Ne jetez pas les matériaux d'emballage avec les déchets domestiques et autres déchets. Déposez-les dans l'un des points de collecte de matériaux d'emballage prévus par l'autorité locale.

2 Aspect général

2.1 Aperçu général



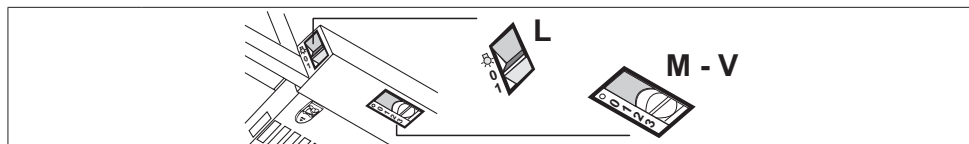
1. Corps principal
2. Filtre à graisse en aluminium
3. Panneau de
4. Contrôle de l'éclairage
5. Cheminée

2.2 Données techniques

Modèle	CTB 6250 X CTB 6250 B CTB 6250 W CTB 6250 XH	CTB 9250 X CTB 9250 XH
Tension d'alimentation	220-240V ~ 50 Hz	
Puissance des lampes	2x4 W	
Puissance du moteur	1 x 140 W	
Débit d'air - 3 Niveau	420 m ³ /h	
Classe d'isolation	CLASSE II	

3 Utilisation de l'appareil

3.1 Panneau de commande



L: Lumières	Allume et éteint l'éclairage.
M: Moteur	Allume et éteint le moteur aspiration
V: Vitesses	Détermine les vitesses d'exploitation ainsi subdivisées: 1. Vitesse minimale, pour un rechange d'air permanent particulièrement silencieux en cas de faibles vapeurs de cuisson. 2. Vitesse moyenne pour la plupart des conditions d'utilisation, étant donné le rapport optimal entre débit d'air traité et niveau sonore. 3. Vitesse maximum, pour faire face aux émissions maximum de vapeur de cuisson, même pendant des temps prolongés .

- La hotte aspirante a été conçue exclusivement pour un usage domestique afin d'éliminer les odeurs de cuisine.
- N'utilisez jamais la cagoule à d'autres fins que celles pour lesquelles elle a été conçue.
- Ne laissez jamais de grandes flammes nues sous le capot lorsqu'il est en fonctionnement.
- Réglez l'intensité de la flamme pour la diriger uniquement sur le fond de la casserole, en veillant à ce qu'elle n'engloutisse pas les parois.
- Les friteuses doivent être surveillées en permanence pendant leur utilisation : une huile surchauffée peut s'enflammer.

3.2 Fonctionnement efficace en termes d'économies d'énergie Utilisation

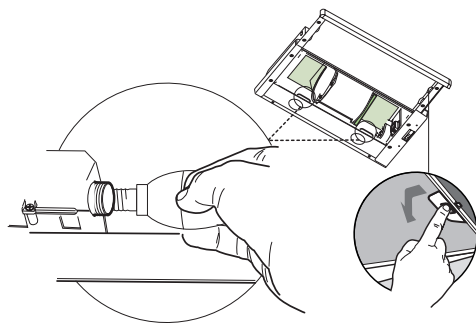
- Lorsque vous utilisez votre appareil, réglez la vitesse en fonction de l'intensité de la vapeur et de l'odeur afin d'économiser de l'énergie.
- Utilisez les vitesses basses (1-2) dans des conditions normales, et les vitesses élevées (3) pour les odeurs et vapeurs intenses.
- Les lampes situées sur la hotte sont destinées à l'éclairage de la zone de cuisson.
- L'utilisation de ces lampes pour l'éclairage de la pièce entraîne une consommation d'énergie inutile et un éclairage insuffisant.
- Pour que votre appareil consomme moins d'énergie, faites-le fonctionner à basse vitesse.
- Votre appareil réduit la consommation d'énergie et fonctionne plus efficacement lorsque vous l'alimentez suffisamment en air.
- Configurez votre appareil pour un niveau de puissance d'aspiration intense avant la formation de la vapeur, dans le cas où vous prévoyez la production d'une vapeur dense. Vous réduisez donc la consommation d'énergie de votre appareil en l'utilisant pendant une durée plus courte, puisqu'il est suffisamment alimenté en air.
- Configurez votre appareil pour un niveau de puissance d'aspiration intense avant la formation de la

3 Utilisation de l'appareil

vapeur, dans le cas où vous prévoyez la production d'une vapeur dense. Vous réduisez donc la consommation d'énergie de votre appareil en l'utilisant pendant une durée plus courte, puisqu'il est suffisamment alimenté en air.

3.3 Instructions d'utilisation

- Votre appareil contient un moteur qui a des vitesses différentes.
- Pour de meilleures performances, nous recommandons d'utiliser des vitesses basses dans des conditions normales et des vitesses élevées en cas fortes odeurs et de vapeur intense.
- Vous pouvez démarrer votre appareil en appuyant sur le bouton de réglage de la vitesse souhaitée. (V1, V2, V3)
- Vous pouvez éclairer la zone de cuisson en appuyant sur la lampe (L).



3.4 Remplacement des lampes



- Avant de remplacer les ampoules, débranchez l'alimentation électrique de la hotte.
- Ne touchez pas les ampoules lorsqu'elles sont chaudes.
- Faites attention à ne pas toucher l'ampoule remplacée directement avec les mains.



Vous pouvez vous procurer des lampes auprès d'agents de service agréés.

Ampoule	
Absorption	4 W
Culot	E14
Voltage	220 – 240
Code ILCOS	D R B B / F - 4 - 2 2 0 - 240-E14-35/100
Dimensions	35x100 mm
Flux lumineux	400 lm
Température de couleur corrélée	3000 K

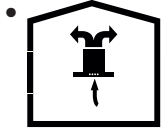
Ce produit contient une source lumineuse de classe d'efficacité énergétique "F".

3.5 Opération avec raccordement au conduit de fumée

-  La vapeur est extraite par le conduit de fumée, qui est fixé à la tête de raccordement sur la hotte.
- Le diamètre du conduit de fumées doit être le même que celui de la bague de raccordement. En position horizontale, le tuyau doit avoir une légère pente ascendante (environ 10°) afin que l'air puisse sortir facilement de la pièce.

3 Utilisation de l'appareil

3.6 Fonctionnement sans raccordement au réseau d'évacuation des fumées



L'air est filtré par le filtre à charbon et recirculé dans la pièce. Le filtre à charbon est utilisé lorsqu'il est impossible d'utiliser un conduit de fumée dans la

maison.

- En cas d'utilisation sans conduit, retirez les rabats à l'intérieur de l'adaptateur de conduit.
- Retirez le filtre à huile. Pour installer le filtre à charbon, fixez le filtre sur les languettes en le centrant sur la pièce en plastique des deux côtés du corps du ventilateur. Resserrez-le en tournant à droite ou à gauche.
- Remplacez le filtre à huile en aluminium.

4 Nettoyage et entretien

Cet appareil doit être régulièrement nettoyé et entretenu. S'il n'est pas nettoyé, sa durée de vie utile peut être compromise. Pour le nettoyage et l'entretien, suivez les instructions contenues dans le manuel.



Avant de procéder au nettoyage et à l'entretien, débranchez le produit ou éteignez l'interrupteur.



Le non-respect des consignes de nettoyage de cet appareil et de remplacement de ses filtres vous expose à un risque d'incendie. Il est donc recommandé de respecter les consignes de ce manuel. Le fabricant décline toute responsabilité en cas de dommages au moteur ou d'incendie résultant d'une utilisation inappropriée de l'appareil.

Nettoyer en utilisant uniquement un chiffon humidifié avec un détergent liquide neutre. Ne nettoyez pas avec des outils ou des instruments. N'utilisez pas de produits abrasifs. N'utilisez pas d'alcool.

4.1 Nettoyage du filtre à graisse

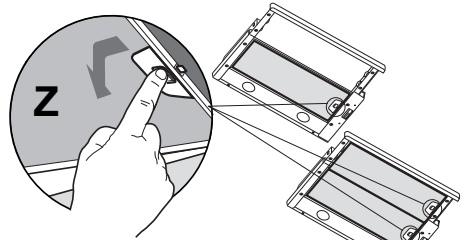
Ce filtre capte les particules d'huile présentes dans l'air. Il vous est recommandé de nettoyer votre filtre tous les mois dans des conditions normales d'utilisation. Pour ce faire, il faut d'abord retirer les filtres à graisse. Lavez les filtres avec un détergent liquide et rincez-les à l'eau, puis remettez-les en place une fois qu'ils sont secs. Les filtres à graisse peuvent se décolorer au lavage ; c'est normal et vous n'avez pas besoin de changer votre filtre.



Vous pouvez laver le filtre dans le lave-vaisselle



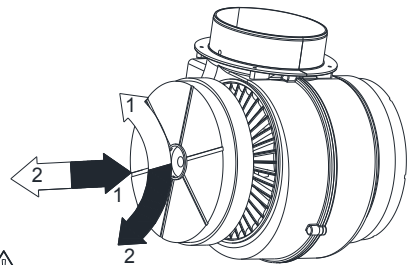
ATTENTION: En cas d'utilisation normale, nettoyez votre filtre une fois par mois.



4.2 Remplacement du filtre à carbone (mode de circulation de l'air)

La hotte peut être équipée d'un filtre à charbon actif. Le filtre à charbon est appliqué uniquement dans le cas où la hotte n'est pas reliée au conduit de ventilation.

When replacing the carbon filter pay attention to the type of used turbine.



Symbol Filter installation
Symbol Filter dismantling

AVERTISSEMENT:

- Le filtre à charbon n'est jamais lavé.
- Remplacez les filtres à charbon une fois tous les 3 mois.
- Le filtre à charbon est disponible auprès des services autorisés.

5 Mise en place de l'appareil



AVERTISSEMENT: Veuillez lire les instructions de sécurité avant de vous installer.

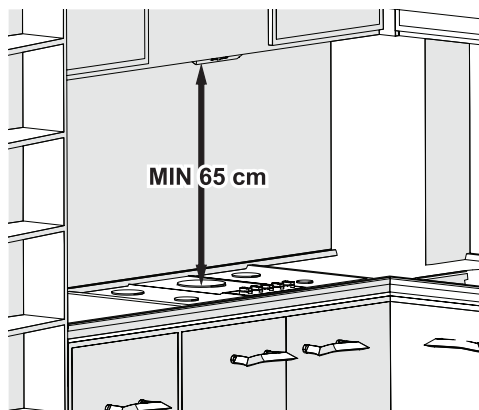


ATTENTION: Si l'installation n'est pas effectuée avec des vis et des stabilisateurs conformément à ces instructions, cela peut entraîner un choc électrique.



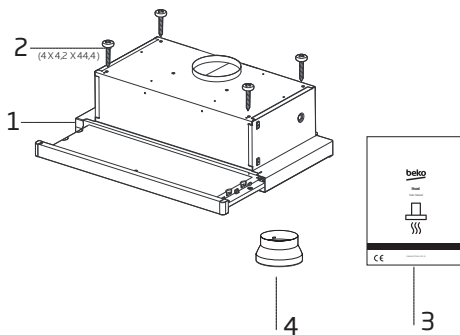
REMARQUE: Veuillez vous référer à la page 266 pour le guide d'installation

5.1 Position de l'appareil



- La distance entre le cuiseur et la hotte doit être prise en compte avant le montage. Cette distance doit être de 65 cm.
- La distance doit être mesurée à partir de la surface de la grille pour les cuisinières à gaz,
- à partir de la surface du verre pour les cuisinières électriques.

5.2 Installations des accessoires



1. Hotte
2. 4 X 4,2 x 44,4 vis
3. Manuel d'utilisation
4. adaptateur de conduit en plastique de 120/150 mm de diamètre

5.3 Stockage

- Si vous n'avez pas l'intention d'utiliser l'appareil pendant une longue période, conservez-le soigneusement.
- Veuillez également à ce que l'appareil soit débranché, refroidi et entièrement sec.
- Conservez l'appareil dans un endroit frais et sec.
- Tenez l'appareil hors de portée des enfants.

5.4 Manipulation et transport

- Lors de la manipulation et du transport, transportez l'appareil dans son emballage d'origine.
- L'emballage de l'appareil le protège des dommages physiques.
- Ne placez pas de charges lourdes sur l'appareil ou sur l'emballage. L'appareil peut être endommagé.

6 Dépannage

Dépannage	Problème	Solution
L'appareil ne fonctionne pas.	Vérifiez le fusible.	Il se peut que votre fusible soit coupé ; remettez-le en marche.
L'appareil ne fonctionne pas.	Vérifiez le branchement.	La tension du secteur doit être comprise entre 220 et 240 V.
L'appareil ne fonctionne pas.	Vérifiez le branchement.	Vérifiez si les autres appareils de votre cuisine fonctionnent ou pas.
L'ampoule ne fonctionne pas.	Vérifiez le branchement.	La tension du secteur doit être comprise entre 220 et 240 V.
L'ampoule ne fonctionne pas.	Vérifiez l'interrupteur de l'ampoule.	L'interrupteur de l'ampoule doit être en position « Allumé ».
L'ampoule ne fonctionne pas.	Vérifiez les ampoules.	Les ampoules de l'appareil ne doivent pas être défectueuses.
L'appareil n'aspire pas l'air correctement.	Vérifiez le filtre en aluminium.	L'aluminium du filtre doit être nettoyé au moins une fois par mois en conditions d'utilisation normales.
L'appareil n'aspire pas l'air correctement.	Vérifiez l'évent d'aération.	L'évent d'aération doit être en position « Marche ».
L'appareil n'aspire pas l'air correctement.	Vérifiez le filtre à charbon.	Pour les appareils dotés d'un filtre à charbon, celui-ci doit normalement être remplacé tous les 3 mois.

Lees eerst deze gebruikershandleiding!

Zeer gewaardeerde klant,

Bedankt voor uw voorkeur voor dit Beko-toestel. Wij hopen dat u de beste resultaten haalt uit uw toestel dat met hoge kwaliteit en de modernste technologie is geproduceerd. Lees daarom deze gehele gebruikershandleiding en alle andere bijgeleverde documenten zorgvuldig door voordat u het apparaat gaat gebruiken en bewaar deze ter referentie in de toekomst. Als u het product aan iemand anders geeft, overhandig dan ook de gebruikershandleiding. Volg de instructies op door op alle informatie en waarschuwingen te letten in de gebruikershandleiding.

Vergeet niet dat deze gebruikershandleiding ook van toepassing kan zijn op andere modellen. Verschillen tussen de modellen worden expliciet beschreven in de handleiding.

Betekenis van de symbolen

De volgende symbolen worden gebruikt in de verschillende delen van deze handleiding:



Belangrijke informatie en nuttige tips over het gebruik.



WAARSCHUWING: Waarschuwingen voor levensgevaarlijke situaties en schade aan eigendommen.



WAARSCHUWING: Waarschuwing voor brandgevaar.



WAARSCHUWING: Gevaar voor elektrische schok.



Beschermingsklasse voor elektrische schokken.



1 Belangrijke veiligheids- en milieu-instructies

1.1 Algemene veiligheid

Belangrijke veiligheidsinstructies. Lees zorgvuldig en bewaar ter referentie in de toekomst Dit deel bevat veiligheidsinstructies die u beschermen tegen het risico op brand, elektrische schok, blootstelling aan lekkende magnetronstralen, persoonlijk letsel of materiële schade. Het niet opvolgen van deze instructies maakt elke garantie ongeldig.

- Beko-producten voldoen aan de van toepassing zijnde veiligheidsnormen; daarom moet in het geval van beschadiging aan het apparaat of het stroomsnoer dit worden gerepareerd of vervangen door de dealer, het servicecentrum of een specialist en erkende service om elk gevaar te vermijden. Verkeerd of niet-gekwalificeerd reparatiewerk kan gevaarlijk zijn en een risico vormen voor de gebruiker.
- Dit apparaat is bedoeld voor huishoudelijk gebruik en vergelijkbare toepassingen zoals:
 - personeelskeukens in winkels, kantoren en andere werkomgevingen;
 - boerderijen;
 - bij klanten in hotels en andere types van overnachtingsomgevingen;
 - omgevingen van het type bed-and-breakfast.
- Gebruik dit apparaat uitsluitend voor het beoogde doel zoals beschreven in deze handleiding.
- De producent kan niet aansprakelijk worden gehouden voor schade die is ontstaan door ongeschikte installaties of onjuist gebruik van het product.
- Dit apparaat kan worden gebruikt door kinderen vanaf 8 jaar en personen met verminderde fysieke, zintuiglijke of mentale vermogens, of met een gebrek aan ervaring en kennis, als deze onder toezicht staan of instructies hebben gekregen betreffende het veilige gebruik van het apparaat en op de hoogte zijn van de betrokken gevaren.

1 Belangrijke veiligheids- en milieu-instructies

- Laat kinderen niet met het apparaat spelen. Reiniging en gebruikersonderhoud dienen niet zonder toezicht door kinderen uitgevoerd te worden.
 - De minimale afstand tussen het ondersteunende oppervlak voor het kookgerei op de kookplaat en het laagste gedeelte van uw product moet minstens 65 cm zijn.
 - Als de installatie-instructies voor het gasfornuis een grotere afstand aangeeft, dient hier rekening mee te worden gehouden.
 - Zorg ervoor dat uw netstroom overeenkomt met de informatie die staat op het typeplaatje van het apparaat.
 - Gebruik het apparaat nooit als de stroomkabel of het apparaat zelf beschadigd is.
 - Vermijd schade aan de stroomkabel door knijpen, buigen of wrijven langs scherpe randen. Houd de stroomkabel uit de buurt van hete oppervlakken en open vuur.
 - Gebruik het apparaat uitsluitend met een geaard stopcontact.
- WAARSCHUWING:** Sluit het apparaat niet op het stroomnetwerk aan totdat de installatie volledig is afgerond.
- Plaats het apparaat zodanig dat de stekker altijd toegankelijk is.
 - De verlichting na langdurige werking niet aanraken. De lampen zijn heet en kunnen uw handen verbranden.
 - Volg de voorschriften op die door de deskundige autoriteiten zijn bepaald wat betreft de luchtafvoer (deze waarschuwing is niet van toepassing bij gebruik zonder rookkanaal).
 - Zet het apparaat aan nadat er een pan op de kookplaat is gezet. Anders kan de hoge warmte in sommige delen van uw product vervorming veroorzaken.
 - Zet de kookplaat uit voordat u de pan van de kookplaat haalt.
 - Laat geen hete olie achter op de kookplaat. Pannen met hete olie kunnen in brand vliegen.
 - Let op uw gordijnen en andere afdekkingen, want olie kan bij de bereiding van bijvoorbeeld patat

1 Belangrijke veiligheids- en milieu-instructies

in brand vliegen.

- Vetfilters moeten minstens eens per maand worden vervangen. Koolstoffilters moeten minstens eens per 3 maanden worden vervangen.
 - Het product moet worden gereinigd in overeenstemming met de gebruikershandleiding. Als bij reiniging de gebruikershandleiding niet wordt opgevolgd, kan er brandgevaar ontstaan.
 - Gebruik in plaats van het huidige filter geen filtermaterialen die niet vuurbestendig zijn.
 - Gebruik alleen de originele onderdelen of onderdelen aanbevolen door de fabrikant.
 - Gebruik het product niet zonder filter en verwijder de filters niet als het product in werking is.
 - In het geval er vlammen ontstaan, schakelt u uw apparaat en kooktoestellen uit.
 - Bedek de vlammen als deze ontstaan en blus ze nooit met water.
 - Trek de stekker van het apparaat uit het stopcontact vóór elke reiniging en wanneer het apparaat niet in gebruik is.
 - De negatieve druk in de ruimte mag niet hoger zijn dan 4 Pa (4 x 10 bar) als de afzuigkap voor de elektrische kookplaat en apparaten op een andere energiebron werken, maar de stroom tegelijkertijd in werking is.
 - In de ruimte waar het apparaat wordt gebruikt, moeten de uitlaten van apparaten die op olie of gas werken, zoals een kamerverwarming, volledig worden geïsoleerd of het apparaat moet van een hermetisch afgesloten type zijn.
 - Gebruik om het rookkanaal aan te sluiten pijpen met een diameter van 120 of 150 mm. De pijp aansluiting moet zo kort mogelijk zijn en zo min mogelijk el-lebogen hebben.
 - Verstikkingsgevaar! Houd alle verpakkingsmaterialen uit de buurt van kinderen.
- LET OP:** Toegankelijke delen kunnen indien gebruikt met kookapparaten heet worden.
- De afvoer van het product mag niet worden aangesloten op luchtkanalen die een ander soort

1 Belangrijke veiligheids- en milieu-instructies

rook bevatten.

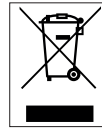
- Er kan onvoldoende ventilatie in de ruimte zijn als de afzuigkap voor de elektrische kookplaat tegelijk wordt gebruikt met de toestellen die op gas of andere brandstoffen werken (dit is mogelijk niet van toepassing op apparaten die de lucht uitsluitend terug in de ruimte brengen).
- Op het product geplaatste voorwerpen kunnen vallen. Plaats geen voorwerpen op het product.
- Flambeer niet onder uw product.

WAARSCHUWING: Verwijder de beschermende folie voordat u de afzuigkap installeert.

- Zorg tijdens de werking dat er zich onder de afzuigkap nooit hoge vlammen bevinden.
- Frituurpannen moeten tijdens gebruik voortdurend onder toezicht staan: oververhitte olie kan in brand vliegen.

1.2 Naleving van de WEEE-norm en verwerking van afvalproducten:

Dit product voldoet aan de WEEE-norm van de EU (2012/19/EU). Dit product heeft een classificatiesymbool voor verwerking van elektrische en elektronische apparatuur (WEEE).



Dit symbool geeft aan dat dit product niet met ander huishoudelijk afval mag worden weggegooid aan het einde van zijn levensduur. Het gebruikte apparaat moet worden geretourneerd naar het officiële inzamelpunt voor recycling van elektrische en elektronische apparaten. Om deze inzamelpunten te vinden kunt u contact opnemen met uw lokale autoriteiten of detailhandelaar waar het product werd verkocht. Ieder huishouden voert een belangrijke rol uit in terugwinnen en recycling van oude apparatuur. Een juiste afvalbehandeling levert een bijdrage ter voorkoming van de negatieve gevolgen voor het milieu en de volksgezondheid.

1.3 Naleving van de RoHS-richtlijn

Het door u aangekochte product voldoet aan de EU RoHS-norm (2011/65/EU). Het bevat geen schadelijke en verboden materialen die in de norm zijn vermeld.

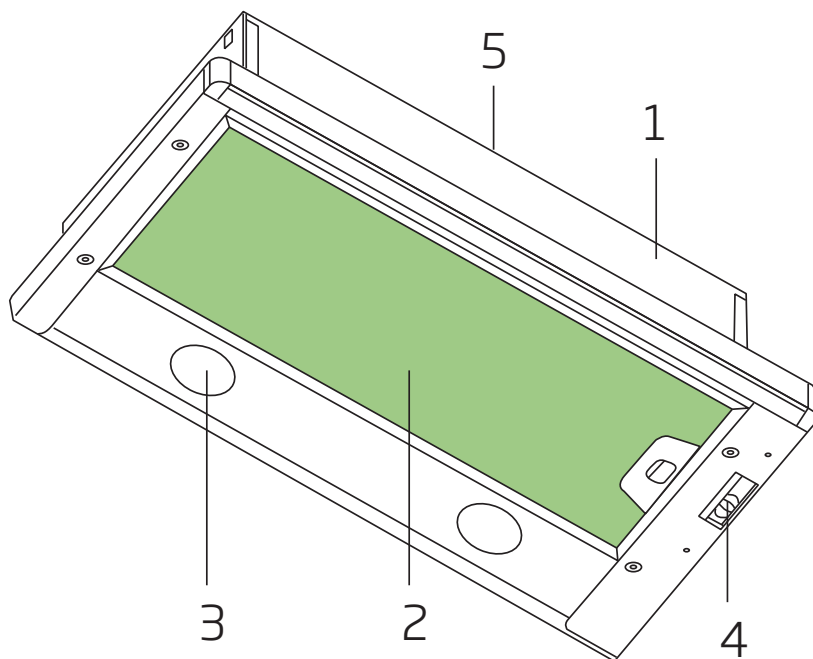
1.4 Verpakkingsinformatie



Verpakkingsmaterialen van het product zijn gemaakt uit recycleerbare materialen in overeenstemming met onze nationale milieuverordeningen. Gooi de verpakkingsmaterialen niet samen met het huishoudelijk afval of ander afval weg. Breng ze naar de inzamelpunten voor verpakkingsmaterialen aangewezen door de lokale instanties.

2 Algemeen uiterlijk

2.1 Overzicht



1. Hoofdbestanddeel van het apparaat
2. Aluminium vetfilter
3. Verlichting
4. Bedieningspaneel
5. Schoorsteen

2.2 Technische gegevens

Model	CTB 6250 X CTB 6250 B CTB 6250 W CTB 6250 XH	CTB 9250 X CTB 9250 XH
Toevoerspanning	220-240V ~ 50 Hz	
Lampvermogen	2x4 W	
Motorvermogen	1 x 140 W	
Luchtstroom – 3. Niveau	420 m ³ /h	
Isolatieklasse	KLASSE II	

3 Het gebruik van het apparaat

3.1 Bedieningspaneel

	
L: Lichten	Hiermee schakelt u de verlichting aan en uit
M: Motor	Hiermee schakelt u de afzuigmotor aan en uit
V: Snelheid	Instelling van de werkingssnelheid: 1. Minimumsnelheid, geschikt voor een continue en zeer stille luchtverversing, als er weinig kookdampen zijn. 2. Gemiddelde snelheid, geschikt voor de meeste gebruiksomstandigheden, gezien de uitstekende verhouding tussen de hoeveelheid behandelde lucht en het geluidsniveau. 3. Maximumsnelheid, geschikt om de grootste kookdampen tegen te gaan, ook voor langere tijd.

- De afzuigkap is exclusief ontworpen voor huishoudelijk gebruik om onaangename geurtjes in de keuken te vermijden.
- Gebruik de afzuigkap nooit voor andere dan de beoogde doeleinden.
- Laat de vlammen nooit hoog oplaaian onder de afzuigkap wanneer deze is ingeschakeld.
- Pas de intensiteit van de vlammen aan zodat deze enkel de onderzijde van de pannen verarmen en de pan niet omwikkelen aan de zijkanten.
- Frituurpannen moeten voortdurend onder toezicht staan tijdens gebruik: oververhitte olie kan in brand schieten.

3.2 Energie-efficiënt gebruik

- Wanneer u uw apparaat gebruikt, moet u de snelheidsinstellingen aanpassen aan de intensiteit van de damp en de geur, om energie te besparen.
- Gebruik lage snelheden (1-2) onder normale omstandigheden, en hoge snelheden (3) voor intense geur en damp.
- De lampen op de afzuigkap zijn geplaatst voor het verlichten van de kookzone.
- Het gebruik ervan voor milieuverlichting moet leiden tot onnodige energie-uitgaven en onvoldoende verlichting.
- Om uw apparaat minder energie te doen verbruiken, moet u het aan het laagste snelheidsniveau inschakelen.
- Uw apparaat zal het energieverbruik verminderen aangezien het efficiënter zal werken als u voldoende luchtinlaat voorziet.
- Stel uw apparaat in op het intense zuigvermogensniveaus voor de vorming van stoom, in situaties waar u weet dat er veel stoom zal ontstaan. U kunt uw energieverbruik dus verminderen door uw apparaat gedurende kortere perioden te gebruiken aangezien het voldoende luchtinlaat zal hebben.
- Houd de deksels van kookgerei gesloten om de evolutie van stoom te verminderen.

3 Het gebruik van het apparaat

3.3 De bediening van de afzuigkap

- Uw toestel bevat een motor met verschillende snelheden.
- Voor betere prestaties raden wij aan om lage snelheden te gebruiken onder normale omstandigheden en hoge snelheden in geval van sterke geuren en intense dampen.
- U kunt uw apparaat starten door op de gewenste snelheidsinsteltoets te drukken. (V1, V2, V3).
- U kunt het kookgedeelte verlichten door op de lamp (L) te drukken.

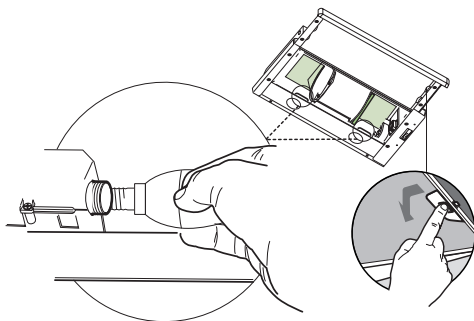
3.4 Vervanging van de lamp



- U moet de stroomtoevoer van de afzuigkap uitschakelen voor u de lampen vervangt.
- Raak de lampen niet aan als ze warm zijn.
- Zorg ervoor de vervangen lamp niet rechtstreeks aan te raken met de handen.



U kunt lampen kopen bij geautoriseerde service vertegenwoordigers.



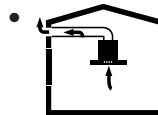
Lamp



Lampvermogen	4 W
Houder / Stopcontact	E14
Lampspanning	220 - 240 V
ILCOS Code	D R B B / F - 4 - 2 2 0 - 240-E14-35/100
Afmeting	35x100 mm
Lichtstroom	400 lm
Gecorrleerde kleurtemperatuur	3000 K

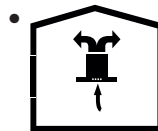
Dit product bevat een lichtbron van energie efficiëntieklasse "F".

3.5 Bediening met schouwaansluiting



- De damp wordt afgezogen via het rookkanaal, dat aan de aansluitkop op de kap wordt bevestigd.
 - De diameter van het rookkanaal moet gelijk zijn aan de aansluiting. Bij een horizontale opstelling moet de buis een lichte opwaartse helling hebben (ongeveer 10°), zodat de lucht gemakkelijk de ruimte kan verlaten.

3.6 Bediening zonder schouwaansluiting



- De lucht wordt door het koolstofilter gefilterd en in de ruimte gecirculeerd. Koolstofilter wordt gebruikt wanneer het onmogelijk is om een rookgasafvoer in huis te gebruiken.
- Bij gebruik zonder afvoer verwijdert u de kleppen in de rookgasadapter.
- Het aluminium vetfilter verwijderen. Om het koolstofilter te installeren, plaatst u het filter op de lipjes door het te centreren op het kunststofstuk aan beide zijden van het ventilatorhuis. draai het vast door naar rechts of naar links te draaien.
- Het aluminium vetfilter vervangen.

4 Reiniging en onderhoud

«Het apparaat moet regelmatig worden gereinigd en onderhouden. Als het apparaat niet schoon wordt gehouden, zal dit de nuttige levensduur van het apparaat beïnvloeden. Volg de instructies in de handleiding voor de reiniging en het onderhoud.»



Trek de stekker uit het stopcontact of zet de schakelaar uit voordat u het product reinigt en onderhoudt.



Niet-naleving van de voorzieningen geassocieerd met de reiniging van het apparaat en de vervanging van de filters kan resulteren in brandrisico. Om die reden is het aanbevolen de hier vermelde richtlijnen te volgen. De fabrikant is niet verantwoordelijk voor schade aan de motor of brand veroorzaakt door een incorrect gebruik.

Reinig uitsluitend met een doek die is vochtig gemaakt in een neutraal reinigingsmiddel. Niet reinigen met gereedschap of instrumenten. Gebruik geen schurende producten. Gebruik geen alcohol.

4.1 Reinigen van aluminium oliefilter

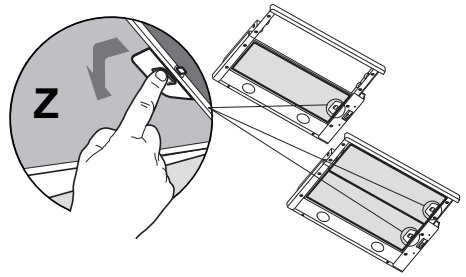
Dit filter houdt de oliedeeltjes in de lucht vast. Aluminium oliefilters kunnen van kleur veranderen als ze worden gewassen; dit is normaal en vereist geen vervanging van uw aluminium oliefilters.



U mag het aluminium vetfilter ook wassen in de wasmachine.



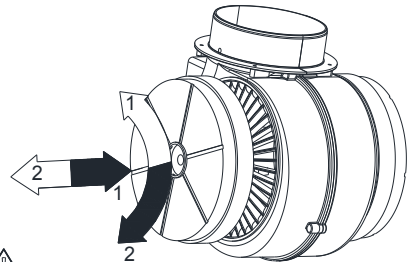
OPGELET: Bij normaal gebruik dient u uw aluminium vetfilter één keer per maand te reinigen.



4.2 Vervanging van de koolstoffilters

Geurverwijderende filters bevatten houtskool (actieve kool). Vetfilters moeten in het product worden geïnstalleerd, ongeacht of er al dan niet koolstoffilters worden gebruikt.

When replacing the carbon filter pay attention to the type of used turbine.



Symbol Filter installation
Symbol Filter dismantling

OPGELET

- Koolstoffilter mag nooit worden gewassen.
- Vervang de koolstoffilters eens in de 3 maanden.
- Het koolstoffilter is verkrijgbaar bij de geautoriseerde diensten.

5 De installatie van het apparaat



WAARSCHUWING: Lees de veiligheidsinformatie in de gebruikershandleiding voordat u met de installatie begint.



WAARSCHUWING: Het niet installeren met schroeven en stabilisatoren in overeenstemming met deze instructies kan leiden tot elektrische schokken.

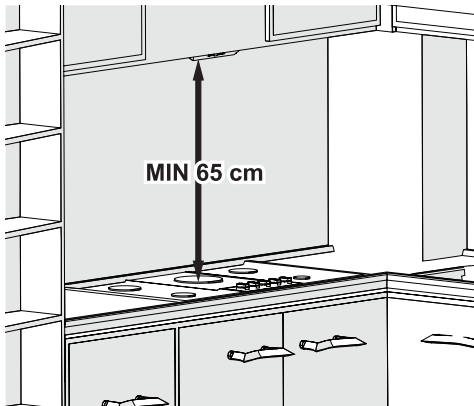


Raadpleeg pagina 266 voor de installatiegids

Neem voor de installatie van de kap contact op met de dichtstbijzijnde geautoriseerde service.

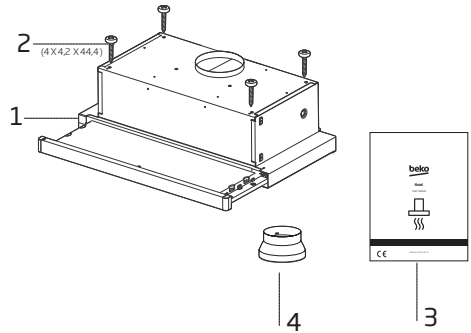
Het is de verantwoordelijkheid van de klant om de locatie en de elektrische installatie van de kap voor te bereiden.

5.1 Positie van het apparaat



- De afstand tussen het kooktoestel en de afzuigkap moet vóór de montage in acht worden genomen. Deze afstand moet 65 cm bedragen.
- Bij gasfornuizen moet de afstand tot het oppervlak van het rooster worden gemeten,
- Van het glazen oppervlak voor elektrische fornuizen.

5.2 Installatieaccessoires



1. Afzuigkap
2. 4 x 4,2 x 44,4 śruby
3. Gebruikershandleiding
4. 1 x Ø150/120 mm kunststof aansluitstuk voor rookkanaal

5.3 Opslag

- Als u van plan bent het apparaat gedurende een lange periode niet te gebruiken, ruim het dan zorgvuldig op.
- Zorg ervoor dat het apparaat los is van het stopcontact, volledig is afgekoeld en compleet droog is.
- Bewaar het apparaat op een koele en droge plaats.
- Bewaar het apparaat buiten het bereik van kinderen.

5.4 Hantering en transport

- Wanneer u het apparaat hanteert en verplaatst, moet u het in de originele verpakking dragen.
- De verpakking van het apparaat beschermt het tegen fysieke schade.
- Plaats geen zware lasten op het apparaat of op de verpakking. Het apparaat kan worden beschadigd.

6 Probleemoplossing

Probleemoplossing	Reden	Help
Het product werkt niet.	Controleer uw zekering.	Uw zekering is mogelijk afgesloten, schakel ze in.
Het product werkt niet.	Controleer de elektrische aansluiting.	De netspanning moet tussen 220-240 V bedragen.
Het product werkt niet.	Controleer de elektrische aansluiting.	Controleer of de andere producten in uw keuken werken.
De lamp werkt niet.	Controleer de elektrische aansluiting.	De netspanning moet tussen 220-240 V bedragen.
De lamp werkt niet.	Controleer de schakelaar van de lamp.	De lampschakelaar moet in de "Aan" positie staan.
De lamp werkt niet.	Controleer de lampen.	De lampen van het product mogen niet defect zijn.
De luchtinlaat van het product is slecht.	Controleer het aluminium filter.	Het aluminium oliefilter moet één maal per maand worden gewassen bij normaal gebruik.
De luchtinlaat van het product is slecht.	Controleer het luchtuitlaat rookkanaal.	Het luchtuitlaat rookkanaal moet in de "Aan" positie staan.
De luchtinlaat van het product is slecht.	Controleer het koolstoffilter.	Voor producten met koolstoffilters moet het filter normaal gezien elke drie maanden worden vervangen.

¡Lea el manual de usuario antes de utilizar el aparato!

Estimado cliente:

Gracias por elegir un aparato Beko. Esperamos que obtenga los mejores resultados de su aparato, ya que ha sido fabricado con gran calidad y con tecnología de última generación. Por esta razón, le aconsejamos que lea este manual de usuario y todos los demás documentos adjuntos con atención antes de utilizar el aparato y que los guarde para futuras consultas. Si entrega este aparato a otra persona, proporcionele también el manual de usuario. Siga las instrucciones prestando especial atención a toda la información y advertencias incluidas en el manual de usuario.

Recuerde que este manual de usuario también puede servir para otros modelos. En el manual se describen las diferencias entre los modelos explícitamente.

Significado de los símbolos

Los siguientes símbolos se usan en las diversas secciones del presente manual de usuario:

	Información importante y consejos útiles sobre su uso.
	ADVERTENCIA: Advertencias de situaciones peligrosas sobre la seguridad de las personas y la propiedad.
	ADVERTENCIA: Advertencia de peligro de incendio.
	ADVERTENCIA: Advertencia sobre posibles descargas eléctricas.
	Clase de protección para descargas eléctricas.



1 Instrucciones importantes para la seguridad y el medio ambiente

1.1 Seguridad general

Lea las instrucciones importantes de seguridad y guárdelas para su futura consulta

Esta sección contiene instrucciones de seguridad que ayudarán a la protección contra los riesgos de incendio, descargas eléctricas, exposición a la energía de microondas, lesiones personales o daño a la propiedad. El incumplimiento de estas instrucciones anulará cualquier tipo de garantía.

- Los productos Beko cumplen con todas las normas de seguridad aplicables; por ello, si el cable o el aparato presentan daños, deberán ser reparados o sustituidos por el distribuidor, un servicio técnico o una persona cualificada y autorizada para evitar cualquier peligro. Los trabajos de reparación deficientes o realizados por personal no cualificado puede ser peligrosos y entrañar riesgos para el usuario.
- Este aparato está destinado al uso doméstico y aplicaciones

parecidas, como por ejemplo:

- Cocinas para uso del personal de tiendas, oficinas y otros entornos laborales;
 - Casa rurales;
 - Por clientes en hoteles o cualquier otro tipo de entorno residencial;
 - Entornos de tipo «Habitación y desayuno» (Bed and Breakfast).
- Utilice este aparato únicamente para su uso previsto, tal como se describe en este manual.
 - El fabricante no se hace responsable de los daños provocados por una instalación incorrecta o un uso inapropiado del producto.
 - Este aparato puede ser utilizado por niños mayores de 8 años y por personas con capacidades físicas, sensoriales o mentales reducidas o con falta de experiencia y conocimientos, siempre que estén bajo supervisión o hayan recibido instrucciones pertinentes sobre el uso del aparato de manera segura y comprendan los peligros que conlleva.

1 Instrucciones importantes para la seguridad y el medio ambiente

- No deje que los niños jueguen con el aparato. La limpieza y mantenimiento del usuario no deben ser realizados por niños sin supervisión.
 - La distancia mínima entre la superficie de soporte de los recipientes para cocinar en los fogones y la parte más baja de su aparato debe ser de al menos 65 cm.
 - Si en las instrucciones de instalación de la placa de gas se indica una distancia superior, deberá tenerse en cuenta este hecho.
 - Asegúrese de que la fuente de alimentación cumpla con la información que se indica en la placa de datos del aparato.
 - Nunca utilice el aparato si está dañado el cable de alimentación o el mismo aparato.
 - Evite daños al cable procurando que no sufra tirones, no se doble y no roce con bordes afilados para evitar dañarlo. Mantenga el cable de corriente alejado de superficies calientes y llamas descubiertas.
 - Use el aparato únicamente con un enchufe con toma a tierra.
- ADVERTENCIA:** No conecte el aparato a la red eléctrica antes de que la instalación se haya realizado por completo.
- Coloque siempre el aparato de forma que el enchufe quede a mano.
 - No toque las lámparas si han estado en funcionamiento durante mucho tiempo. Pueden ocasionar quemaduras en las manos ya que estarán calientes.
 - Siga las normas establecidas por las autoridades competentes para la descarga del aire de salida (esta advertencia no es aplicable sin la conexión de la chimenea).
 - Encienda el aparato después de colocar una olla, una sartén, etc, en los fogones. De lo contrario, las altas temperaturas pueden provocar deformaciones en algunas partes del aparato.
 - Apague los fogones antes de retirar las ollas, los sartenes, etc.

1 Instrucciones importantes para la seguridad y el medio ambiente

- No deje aceite caliente en los fogones. Las sartenes con aceite caliente pueden ocasionar autocombustión.
- Preste atención a las cortinas y los estores, ya que, al cocinar platos como patatas fritas, el aceite puede originar un incendio.
- El filtro antigrasa se debe reemplazar por lo menos una vez al mes. El filtro de carbón se debe reemplazar por lo menos cada 3 meses.
- El producto se debe limpiar siguiendo las instrucciones del manual de usuario. Si la limpieza no se ha llevado a cabo siguiendo el manual de usuario, puede haber riesgo de incendio.
- No use materiales filtrantes que no resistan el fuego en vez del filtro actual.
- Utilice únicamente accesorios originales o bien los que recomiende el fabricante.
- No use el aparato sin el filtro y no retire los filtros mientras el aparato esté en funcionamiento.
- En caso de fuego, desactive su producto y los aparatos de cocina.
- En caso de fuego, cubra la llama y nunca utilice agua para apagarlo.
- Desenchufe el aparato antes de cada limpieza y cuando no esté en uso.
- La presión negativa de la estancia no debe superar los 4 Pa (4 x 10 bar) cuando la campana para una placa eléctrica funcione simultáneamente con dispositivos de otro tipo de energía excepto la electricidad.
- En la estancia en donde se encuentra el aparato, el escape de equipos de combustible o gas, como calefactores, deben ser herméticos o estar absolutamente aislados.
- Para la conexión de la chimenea, use tuberías de 120 o 150 mm de diámetro. La conexión de las tuberías debe ser lo más corta posible y tener la menor cantidad de codos de tubería.

1 Instrucciones importantes para la seguridad y el medio ambiente

- ¡Peligro de descarga eléctrica! Mantenga todos los materiales de embalaje alejados de los niños.
- No dejar llamas altas descubiertas debajo de la campana extractora cuando está en funcionamiento

PRECAUCIÓN: Las partes accesibles pueden alcanzar temperaturas elevadas al usarse con cocinas.

- El canal de salida del aparato no debe estar conectado a canales de aire por los que pasan humo.
- La ventilación de la estancia puede ser insuficiente cuando la campana extractora para placas eléctricas se utiliza al mismo tiempo que los aparatos que funcionan con gas u otros combustibles (esto puede no ser aplicable a los aparatos que solamente descargan el aire de nuevo en la estancia).
- Los objetos colocados encima del producto pueden caerse. No coloque ningún objeto encima del aparato.

- No flambear debajo del aparato.

ADVERTENCIA: Antes de instalar la campana, retire las películas protectoras.

- Las freidoras se deberán vigilar continuamente durante su utilización: el aceite sobrecalentado es inflamable.

1.2 De conformidad con la Directiva RAEE y eliminación del producto al final de su vida útil:

Este producto cumple con la Directiva RAEE de la UE (2012/19/UE). Este producto lleva un símbolo de clasificación de residuos de aparatos eléctricos y electrónicos (RAEE).



Este símbolo indica que este producto no debe eliminarse con otros residuos domésticos al final de su vida útil. El aparato usado debe ser devuelto al punto de recogida oficial para el reciclaje de aparatos eléctricos y electrónicos.

Para encontrar estos sistemas de recogida, por favor, póngase en contacto con las autoridades locales o con el distribuidor donde se compró el producto. Cada hogar desempeña un papel importante en la recuperación y el reciclaje de los aparatos viejos. La eliminación adecuada de los aparatos usados ayuda a prevenir las posibles consecuencias negativas para el medio ambiente y la salud humana.

1 Instrucciones importantes para la seguridad y el medio ambiente

1.3 Conformidad con la Directiva RoHS

El producto que ha adquirido cumple con la Directiva RoHS de la UE (2011/65/UE). No contiene materiales peligrosos ni prohibidos especificados en la Directiva.

1.4 Información sobre el embalaje

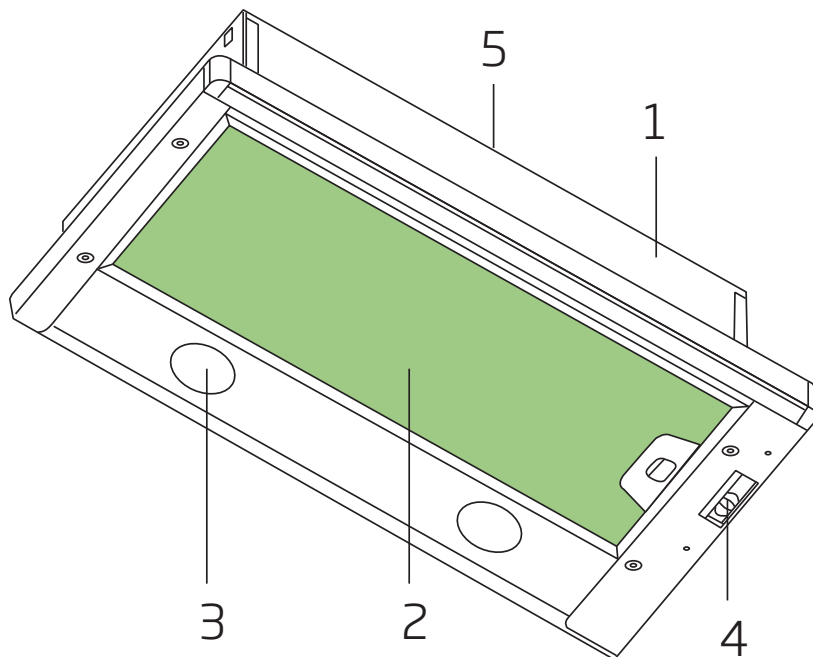


Los materiales de embalaje del producto están fabricados con materiales reciclables de acuerdo con nuestra Normativa Medioambiental Nacional.

No deseche los materiales de embalaje junto con los residuos domésticos o de otro tipo. Lívelos a los puntos de recogida de material de embalaje designados por las autoridades locales.

2 General apariencia

2.1 Resumen



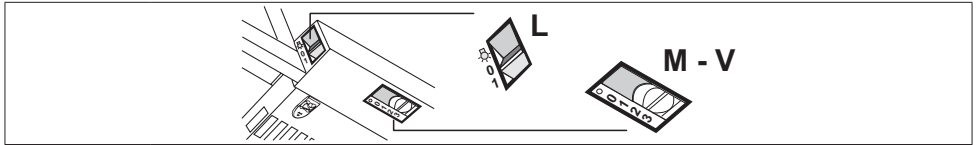
1. Cuerpo principal
2. Filtro para grasa de aluminio
3. Iluminación
4. Panel de control
5. Chimenea

2.2 Datos técnicos

Modelo	CTB 6250 X CTB 6250 B CTB 6250 W CTB 6250 XH	CTB 9250 X CTB 9250 XH
Voltaje de suministro	220-240V ~ 50 Hz	
Potencia de la lámpara	2x4 W	
Potencia del motor	1 x 140 W	
Flujo de aire - 3. Nivel	420 m³/h	
Tipo de aislamiento	CLASS II	

3 Uso del aparato

3.1 Panel de control



L: Luces	Enciende y apaga la instalación de iluminación.
M: Motor	Enciende y apaga el motor de aspiración.
V: Velocidad	Determina las velocidades de ejercicio: 1. Velocidad mínima, indicada para un recambio de aire continuo muy silencioso, en presencia de pocos vapores de cocción. 2. Velocidad media, indicada para la mayor parte de las condiciones de uso, gracias a la óptima relación entre caudal de aire tratado y nivel de ruido. 3. Velocidad máxima, indicada para hacer frente a grandes cantidades de vapor de cocción, incluso para tiempos prolongados.

- La campana extractora ha sido diseñada exclusivamente para uso doméstico para eliminar los olores de la cocina.
- Nunca use la campana para otros propósitos que no sean para los que ha sido diseñada.
- Nunca deje fuentes de calor desatendidas bajo la campana cuando esta esté en funcionamiento.
- Ajuste la intensidad de la llama para dirigirla sólo al fondo de la sartén, asegurándose de que no alcance los lados.
- Las freidoras deben ser vigiladas en todo momento durante su uso: ya que el aceite caliente puede provocar llamas.

3.2 Funcionamiento eficiente y ahorro de energía uso

- Al utilizar su campana, ajuste la velocidad de acuerdo a la cantidad de vapores y olores existentes, para así ahorrar energía.
- Utilice velocidades bajas (1-2) en condiciones normales, y velocidades altas (3) para el olor y el vapor intensos.
- Las lámparas en la campana son colocadas para iluminar la superficie donde se cocina.
- Al usarlas como luces de ambientación se desperdiciará energía innecesariamente y dará una luz insuficiente.
- Para que el aparato consuma menos electricidad, hágalo funcionar a un nivel de velocidad bajo.
- El aparato reducirá el consumo eléctrico, ya que funcionará más eficazmente cuando le proporcione una entrada de aire suficiente.
- Ponga el aparato en el nivel de potencia de aspiración intensa antes de la formación de vapor, en los casos en que sepa que se producirá el vapor denso. Así, reducirá el consumo eléctrico utilizándolo durante menos tiempo, ya que tendrá una entrada de aire suficiente.
- Mantenga las tapas de las ollas cerradas para reducir la evolución del vapor.

3.3 Instrucciones de funcionamiento

- Su campana contiene un motor con varias velocidades.
- Para un mejor rendimiento, recomendamos utilizar velocidades bajas en condiciones normales y velocidades altas en casos de olores fuertes y vapor intenso.

3 Uso del aparato

- Puede iniciar su campana pulsando el botón de la velocidad deseada. (V1, V2, V3)
- Puede iluminar el área de cocción presionando la lámpara (L).

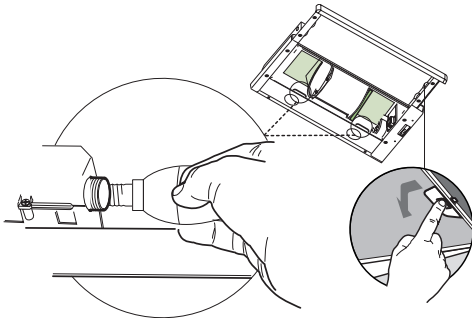
3.4 Reemplazo de la lámpara




- Antes de cambiar las bombillas, desconecte la fuente de alimentación de la campana.
- No toque las bombillas cuando estén calientes.
- No toque la bombilla sustituida directamente con las manos.



Puede adquirir las lámparas a través del servicio técnico autorizado.

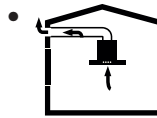


Bombilla	
Potencia de la bombilla	4 W
Soporte/Enchufe	E14
Voltaje de la bombilla	220 - 240 V
Código ILCOS	D R B B / F - 4 - 2 2 0 - 240-E14-35/100

Tamaño	35x100 mm
Flujo luminoso	400 lm
Temperatura de color correlativa	3000 K

Este producto dispone de una fuente luminosa de clase de eficiencia energética "F".

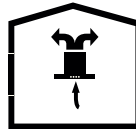
3.5 Funcionamiento con conexión al conducto



El vapor se extrae a través del conducto de humo, que está sujeto a la cabeza de conexión en la campana.

- El diámetro del conducto de humos debe ser el mismo que el del anillo de conexión. En los entornos horizontales, el tubo tiene que tener una ligera inclinación hacia arriba (alrededor de 10°) para que el aire pueda salir fácilmente de la habitación.

3.6 Funcionamiento sin conexión al conducto



El aire se filtra a través del filtro de carbón y circula en la habitación. El filtro de carbón se utiliza cuando es imposible utilizar un conducto para humos

- en casa.
- Si el funcionamiento es sin conducto, quite las tapas dentro del adaptador del conducto.
- Retire el filtro de aceite. Para instalar el filtro de carbón, colóquelo en las pestañas centrándolo en la pieza de plástico a ambos lados del cuerpo del ventilador. Apriételo girando a la derecha o a la izquierda.
- Reemplace el filtro de aceite.

4 Limpieza y mantenimiento

Deberá limpiar y mantener el aparato regularmente. No mantener el aparato limpio afectará negativamente a la vida útil del mismo. Para la limpieza y el mantenimiento, siga las instrucciones indicadas en el manual.



Antes de la limpieza y el mantenimiento, desenchufe el producto o apague el interruptor.

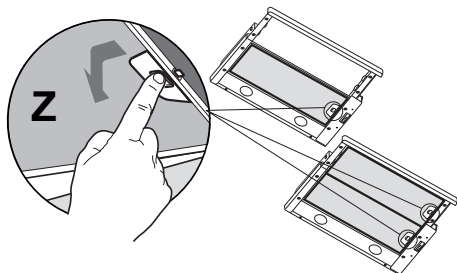


El incumplimiento de las disposiciones relativas a la limpieza del aparato y a la sustitución de los filtros puede suponer un riesgo de incendio. Por lo tanto, se recomienda seguir las directrices aquí indicadas. El fabricante no se hace responsable de los daños en el motor o de los incendios originados por un uso inadecuado.

Limpie el aparato usando sólo un paño humedecido con detergente líquido neutro. No lo limpie con herramientas o instrumentos. No utilice productos abrasivos. No use alcohol.

4.1 Limpieza del filtro de aceite de aluminio

Este filtro retiene las partículas de aceite en el aire. Los filtros de aceite de aluminio pueden cambiar de color al ser lavados; esto es normal y no requiere la sustitución de los mismos.



Puede lavar sus filtros de aceite de aluminio en el lavavajillas.

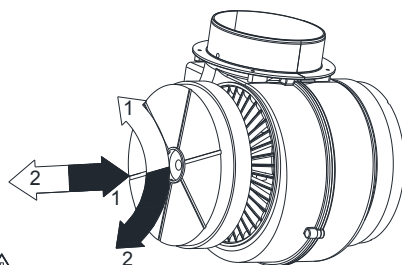


PRECAUCIÓN: En caso de uso normal, limpie su filtro una vez al mes.

4.2 Sustitución de los filtros de carbón

Los filtros de eliminación de olores contienen carbón (carbón activo). Los filtros de grasa deben estar instalados en el producto, sin importar si se utilizan filtros de carbón o no.

When replacing the carbon filter pay attention to the type of used turbine.



Symbol  Filter installation
Symbol  Filter dismantling

PRECAUCIÓN

- El filtro de carbón nunca será lavado.
- Reemplace los filtros de carbón una vez cada 3 meses.
- Puede obtener el filtro de carbón en los servicios técnicos autorizados.

5 Configuración del dispositivo



¡ADVERTENCIA: Antes de comenzar la instalación, lea la información de seguridad en el manual de usuario.



¡ADVERTENCIA: Si no se instalan los tornillos y estabilizadores de acuerdo con estas instrucciones, puede producirse una descarga eléctrica.

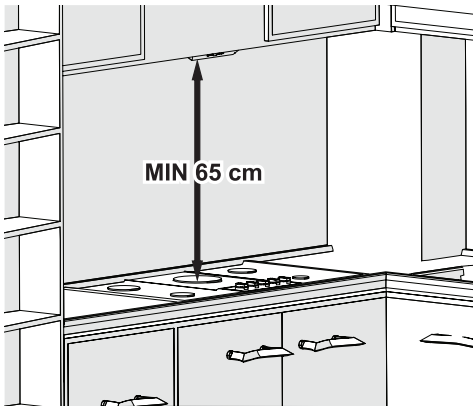


Por favor, consulte la página 266 para ver la guía de instalación

Para la instalación de la campana, por favor contacte con el servicio técnico autorizado más cercano.

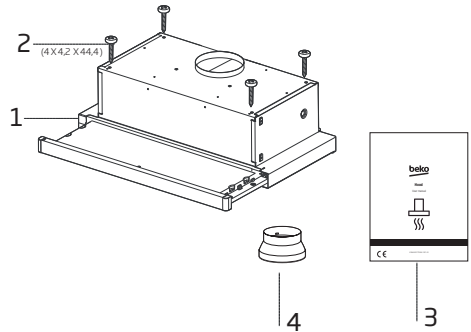
Es responsabilidad del cliente proveer la ubicación e instalación eléctrica apropiadas para la campana.

5.1 Posición del aparato



- La distancia entre la cocina y la campana extractora debe ser tenida en cuenta antes del montaje. Esta distancia debe ser de 65 cm.
- La distancia debe medirse desde la superficie de la rejilla para las cocinas de gas.
- y desde la superficie del vidrio para las cocinas eléctricas.

5.2 Accesorios de instalación



1. Campana
2. 4 X 4,2 X 44,4 Tornillos
3. Manual del usuario
4. 1 x adaptador plástico de chimenea de Ø120/150 mm

5.3 Almacenamiento

- Si no tiene intención de usar el aparato durante mucho tiempo, por favor, guárdelo con cuidado.
- Por favor, asegúrese de que el aparato esté desenchufado, enfriado y totalmente seco.
- Guarde el aparato en un lugar fresco y seco.
- Mantenga el aparato fuera del alcance de los niños.

5.4 Manipulación y transporte

- Durante el manejo y el transporte, lleve el aparato en su embalaje original. El embalaje del aparato lo protege de daños físicos.
- No coloque cargas pesadas sobre el aparato o el embalaje. El aparato puede dañarse.
- Si el aparato se cae, dejará de funcionar o causará daños permanentes.

6 Solución de problemas

Solución de problemas	Causa principal	Ayuda
El aparato no funciona.	Revise los fusibles.	El fusible puede estar fundido, revíselo y cámbielo, si es necesario.
El aparato no funciona.	Revise la conexión eléctrica.	El voltaje de la red debe ser entre 220 y 240 V.
El aparato no funciona.	Revise la conexión eléctrica.	Compruebe si funcionan otros aparatos en la cocina.
La bombilla de iluminación no funciona.	Revise la conexión eléctrica.	El voltaje de la red debe ser entre 220 y 240 V.
La bombilla de iluminación no funciona.	Revise el interruptor de la bombilla.	El interruptor de la bombilla debe estar en posición "on" (encendido).
La bombilla de iluminación no funciona.	Revise las bombillas.	Las bombillas del aparato se iluminarán.
La entrada de aire del aparato no es adecuada.	Revise el filtro.	En condiciones normales de funcionamiento, el filtro de grasa se limpiará al menos una vez al mes.
La entrada de aire del aparato no es adecuada.	Revise el conducto de descarga de aire.	El conducto de descarga de aire debe estar en posición "on" .
La entrada de aire del aparato no es adecuada.	Revise el filtro de carbón.	Los filtros de carbón serán reemplazados una vez cada 3 meses en condiciones normales.



**Contacto para asistencia técnica:
902 877 665 / 932 992 581**

CONDICIONES DE GARANTIA - ESPAÑA

El presente certificado cubre la garantía de reparación de su electrodoméstico de gama blanca y PAE (*) durante el periodo de garantía legal previsto en la ley, a partir de la fecha de venta, contra todo defecto de funcionamiento proveniente de fabricación o materiales; o de sustitución del aparato, salvo que una de estas opciones resulte imposible o desproporcionada respecto de la otra. Cuando usted detecte un defecto o anomalía en el aparato contacte de forma inmediata con nosotros para informarnos de la falta de conformidad. Los pequeños electrodomésticos (PAE) deberán ser entregados en el taller del servicio oficial de la marca para su revisión.

La presente garantía sólo será válida si se presenta factura, ticket de compra o el albarán de entrega correspondiente a la adquisición del producto. La presente garantía es válida en el territorio español y portugués para los aparatos distribuidos por Beko Electronics España S.L.. La garantía sólo tendrá validez sobre el primer comprador o adquirente del producto. La garantía será válida para aquellos aparatos cuya instalación sea correcta y estén ubicados en condiciones climáticas y medioambientales adecuadas para su correcto funcionamiento.

EXCLUSIONES DE LA GARANTIA

El coste de la reparación será a cargo del usuario en los siguientes casos:

- Los aparatos utilizados para uso profesional o no exclusivamente doméstico.
- Los aparatos desmontados o manipulados por personas ajenas a los servicios técnicos expresamente autorizados.
- Las instalaciones, transporte, sustitución de aparatos, puestas en marcha, cambio de sentido de puertas.
- Intervenciones de mantenimiento o de información sobre el uso de los aparatos.
- Cambio de inyectores en aparatos de gas.
- Las averías provocadas por falta de mantenimiento o limpieza o aquellas provocadas por un uso indebido, sobrecarga, abandono o de manera no conforme a las instrucciones de uso o de instalación de los aparatos.
- Las averías producidas por causas fortuitas, siniestros de fuerza mayor o derivados de instalación incorrecta y en general, averías por causas ajenas al propio aparato.
- Las averías provocadas por conexiones que puedan presentar fluctuaciones, irregularidades o falta de uniformidad en el suministro, por ejemplo: suministro de agua impulsado por grupos de presión, energía solar, energía eólica, generadores eléctricos, u otro tipo de suministro no normalizado.
- La sustitución de materiales rotos o deteriorados por desgaste o uso no normal del aparato, o materiales consumibles tales como: juntas, plásticos, gomas, correas, cristales, escobillas, bombillas, asas, tiradores, tapas de quemadores, filtros, rejillas, ánodos de sacrificio (magnesio o similares) de calentadores o calderas, etc.
- Los aparatos que presenten oxidación, o daños por corrosión en esmaltes o pinturas, que puedan ser provocados por efectos químicos o electroquímicos del agua o cualquier otra sustancia, o aceleradas por circunstancias ambientales o climáticas no propicias.
- Defectos estéticos en serigrafía o pintura.
- Los daños de transporte o manipulación, golpes, etc.
- Los aparatos deben instalarse de forma accesible para su reparación, debiendo asumir el usuario los costes necesarios para el acceso al aparato para su reparación y sustitución.

La presente garantía no afecta a los derechos de que dispone el consumidor conforme a lo previsto en la legislación vigente. El Servicio Oficial de Asistencia Técnica resolverá cualquier incidencia que pudiera precisar su electrodoméstico siempre que el aparato esté instalado de forma accesible.

Para asegurarse que su electrodoméstico va a ser intervenido por un técnico oficial autorizado, rogamos solicite el carnet avalado por ANFEL (Asociación Nacional de Fabricantes de Electrodomésticos) a nuestros técnicos.

Las marcas BEKO y GRUNDIG se distribuyen por Beko Electronics España S.L.

DATOS APARATO (a rellenar por el Distribuidor):

Titular:		Sello Establecimiento:
Modelo:	Núm. serie:	
Establecimiento:	Fecha de compra:	

**El garante e importador de su electrodoméstico es: BEKO ELECTRONICS ESPAÑA S.L. Calle Provenza n° 388
3º Barcelona 08025, España.**

Conózcanos mejor en nuestra página: www.beko.com Conserve este documento, es importante para usted.

(*) Se consideran electrodomésticos de gama blanca, los aparatos de gran tamaño de cocina, limpieza, refrigeración y ventilación y el pequeño aparato electrodoméstico (PAE) aquellos aparatos de higiene personal, mantenimiento del hogar y preparación de alimentos.

Leia este manual do utilizador em primeiro lugar!

Prezado Cliente,

Obrigado por preferir este aparelho da Beko. Esperamos que obtenha os melhores resultados com o nosso aparelho, que foi fabricado com tecnologia avançada e de alta qualidade. Como tal, leia com atenção todo este manual do utilizador e os outros documentos que o acompanham antes de utilizar o aparelho e guarde-o como referência para uso futuro. Se passar o aparelho para outra pessoa, dê-lhe também este manual do utilizador. Siga as instruções estando atento às informações e avisos no manual do utilizador.

Lembre-se que este manual do utilizador também pode aplicar-se a outros modelos. As diferenças entre modelos são explicitamente descritas no manual.

Significados dos símbolos

Os seguintes símbolos são usados em várias secções deste manual:



Informações importantes ou dicas úteis sobre a utilização.



AVISO: Avisos para situações perigosas relativas à segurança de pessoas e bens.



Aviso sobre perigo de incêndio.



Aviso de choque elétrico.



Classe de proteção para choque elétrico.



1 Instruções importantes sobre segurança e meio ambiente

1.1 Segurança geral

Instruções importantes sobre a segurança, leia com cuidado e mantenha para a referência futura. Esta secção contém instruções de segurança que ajudarão a protegê-lo(a) contra o risco de incêndio, exposição a energia de micro-ondas libertada acidentalmente, ferimentos pessoais ou danos à propriedade. O não cumprimento destas instruções invalida a garantia concedida.

- Os produtos Beko estão em conformidade com as normas de segurança aplicáveis; portanto, em caso de qualquer dano no aparelho ou cabo de alimentação, deve ser reparado ou substituído pelo revendedor, centro de assistência ou por uma assistência especializada e autorizada para evitar qualquer perigo. Reparações defeituosas ou não qualificadas podem ser perigosas e constituir riscos para o utilizador.
- Este aparelho destina-se à

utilização doméstica e aplicações semelhantes, como por exemplo:

- Áreas da cozinha dos funcionários em lojas, escritórios e outros ambientes de trabalho;
 - Casas de turismo rural;
 - Por clientes em hotéis, pensões e outros tipos de ambientes residenciais;
 - Alojamentos do tipo cama e pequeno-almoço.
- Use este aparelho apenas para os fins a que se destina e tal como descrito neste manual.
 - O fabricante não se responsabiliza por quaisquer danos resultantes de uma instalação incorreta ou imprópria.
 - Este equipamento pode ser usado por crianças com idade de 8 anos ou mais e por pessoas com capacidades físicas, sensoriais ou mentais reduzidas ou com falta de experiência e conhecimento se forem supervisionadas ou que lhes tenha sido dada instrução a respeito da utilização do

1 Instruções importantes sobre segurança e meio ambiente

equipamento de um modo seguro e que compreendam os perigos envolvidos.

- As crianças não devem brincar com o aparelho. A limpeza e a manutenção do utilizador não devem ser realizadas por crianças sem serem supervisionadas.
- A distância mínima entre a superfície de apoio para os recipientes na placa de cozinha e a parte inferior do produto deve ser de 65 cm, no mínimo.
- Se as instruções de instalação para a placa de cozinha a gás especificarem uma distância maior, esta deve ser tida em consideração.
- Certifique-se de que a alimentação elétrica está em conformidade com as informações fornecidas na placa de dados do aparelho.
- Nunca utilize o aparelho se o cabo de alimentação ou o próprio aparelho estiverem danificados.
- Evite danos ao cabo de alimentação, evitando apertá-lo, dobrá-lo ou arrastá-lo sobre

extremidades pontiagudas. Mantenha o cabo de alimentação afastado de superfícies quentes e chamas vivas.

- Apenas utilize o aparelho numa tomada com ligação à terra.

AVISO: Não ligue o aparelho à corrente até que a instalação esteja concluída.

- Coloque o aparelho de modo a que a ficha esteja sempre acessível.
- Não toque nas lâmpadas caso tenham estado acesas durante muito tempo. Estas podem queimar as suas mãos, dado que ficam quentes.
- Siga os regulamentos estabelecidos pelas autoridades competentes relativos ao ar de exaustão (este aviso não se aplica se o aparelho for utilizado sem chaminé).
- Utilize o aparelho apenas depois de colocar um tacho, uma frigideira, etc. na placa de cozinha. Caso contrário, o calor excessivo pode deformar algumas partes do aparelho.

1 Instruções importantes sobre segurança e meio ambiente

- Desligue a placa de cozinha antes de retirar o tacho, a frigideira, etc.
- Não deixe óleo quente na placa de cozinha. As frigideiras com óleo quente podem entrar em combustão espontânea.
- Preste atenção às cortinas e tampas, pois o óleo pode incendiar-se enquanto se cozinha, por exemplo, batatas fritas.
- O filtro de gordura deve ser substituído, no mínimo, mensalmente. O filtro de carbono deve ser substituído, no mínimo, a cada 3 meses.
- O aparelho deve ser limpo de acordo com as instruções do manual do utilizador. Pode existir perigo de incêndio caso a limpeza não seja realizada de acordo com as instruções do manual do utilizador.
- Não utilize materiais de filtração que não sejam resistentes ao fogo além do filtro atual.
- Utilize apenas as peças originais ou peças recomendadas pelo fabricante.
- Não utilize o aparelho sem o filtro e não retire os filtros durante o funcionamento do aparelho.
- No caso de deflagrar uma chama, corte a alimentação elétrica do aparelho e dos eletrodomésticos.
- No caso de deflagrar uma chama, cubra-a e nunca use água para extingui-la.
- Desligue o aparelho antes de cada limpeza e quando este não estiver a ser utilizado.
- A pressão negativa no ambiente não deverá exceder 4 Pa (4 x 10 bar) enquanto o exaustor para a placa de cozinha elétrica e os aparelhos alimentados por outro tipo de energia além da eletricidade estiverem a funcionar em simultâneo.
- No ambiente em que o aparelho está a ser utilizado, a exaustão dos dispositivos que funcionam a óleo combustível ou gás, como é o caso dos aquecedores, deverá ficar totalmente isolada. Caso contrário, o aparelho terá de ser de tipo hermético.

1 Instruções importantes sobre segurança e meio ambiente

- Ao fazer a ligação à chaminé, utilize tubos com 120 ou 150 mm de diâmetro. A ligação do tubo deve ser o mais curta possível e ter o menor número de curvas possível.

Perigo de asfixia! Mantenha todos os materiais da embalagem afastados das crianças.

ATENÇÃO: Partes acessíveis podem ficar quentes quando utilizadas com aparelhos de cozinha.

- A saída do exaustor não pode estar ligada aos canais de ar que incluem outros fumos.
- A ventilação na divisão poderá ser insuficiente quando se utilizar o exaustor para a placa de cozinha elétrica simultaneamente com os dispositivos que funcionam a gás ou outros combustíveis (isto poderá não se aplicar aos aparelhos que apenas fazem o retorno do ar para a divisão).
- Os objetos colocados em cima do aparelho podem cair. Não coloque quaisquer objetos em cima do aparelho.

- Não flambeie debaixo do aparelho.

AVISO: Remova as películas protetoras antes de instalar a Placa de cozinha.

- Nunca deixe chamas vivas altas sob o exaustor quando este estiver em funcionamento
- Mantenha as fritadeiras sob controlo durante a utilização: o óleo sobreaquecido pode inflamar-se.

1.2 Conformidade com a Diretiva REEE e eliminação do produto residual:

Este produto está em conformidade com a Diretiva REEE da UE (19/2012/UE). Este produto traz um símbolo de classificação para reciclagem de equipamentos elétricos e eletrónicos (REEE).



Este símbolo indica que o produto não deve ser eliminado juntamente com o lixo doméstico no fim da sua vida útil. Os aparelhos usados devem ser levados para um ponto de recolha oficial para a reciclagem de aparelhos elétricos e eletrónicos. Para encontrar estes sistemas de recolha, entre em contacto com as autoridades locais ou com o revendedor através do qual adquiriu o produto. Cada domicílio desempenha um papel fundamental na recolha e reciclagem de aparelhos antigos. A eliminação correta de aparelhos usados ajuda a prevenir potenciais efeitos negativos ao meio ambiente e à saúde humana.

1 Instruções importantes sobre segurança e meio ambiente

1.3 Conformidade com a Diretiva RoHS

O produto adquirido está em conformidade com a Diretiva RoHS da UE (65/2011/UE). Não contém materiais prejudiciais ou proibidos especificados na Diretiva.

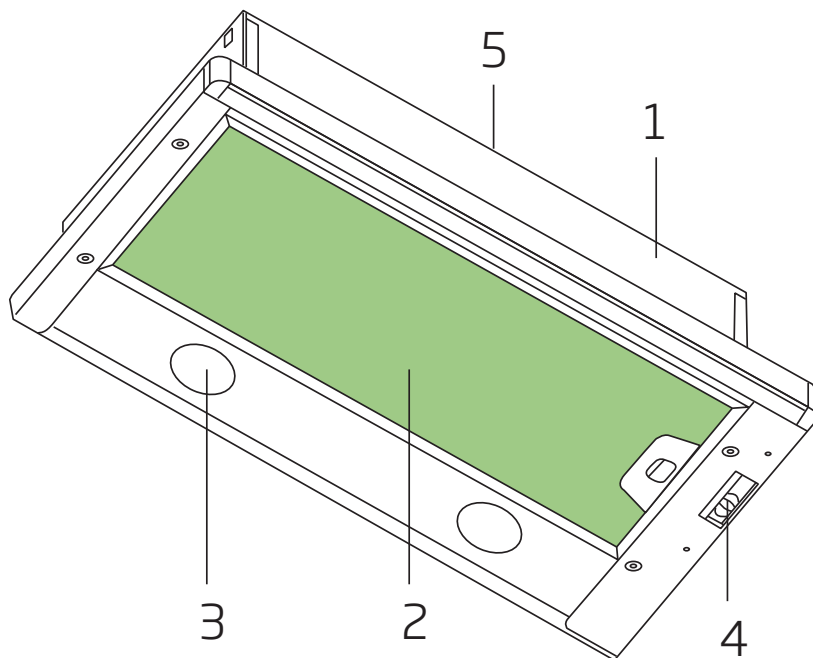
1.4 Informação de embalagem



Os materiais para embalagem do produto são fabricados a partir de materiais recicláveis, em conformidade com a nossa Regulamentação Nacional do Ambiente. Não elimine os materiais da embalagem juntamente com os resíduos domésticos ou outros tipos de resíduos. Leve-os para os pontos de recolha de materiais de embalagem designados pelas autoridades locais.

2 Aspecto geral

2.1 Visão geral



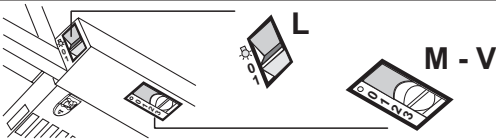
1. Corpo principal
2. Filtro de gordura em alumínio
3. Iluminação
4. Painel de controlo
5. Chaminé

2.2 Dados técnico

Modelo	CTB 6250 X CTB 6250 B CTB 6250 W CTB 6250 XH	CTB 9250 X CTB 9250 XH
Tensão de alimentação	220-240V ~ 50 Hz	
Potência da lâmpada	2x4 W	
Potência do Motor	1 x 140 W	
Fluxo de ar - 3. Nível	420 m ³ /h	
Classe de isolamento	CLASSE II	

3 Utilização do electrodoméstico

3.1 Painel de controlo

	
L: Luzes	Liga e desliga a Iluminação
M: Motor	Liga e desliga o motor de exaustão
V: Velocidade	Determina a velocidade de funcionamento: 1. Velocidade mínima, indicada para uma troca contínua do ar muito silenciosa, se os vapores de cozedura forem poucos. 2. Velocidade média, indicada para a maior parte das condições de uso vista a excelente relação entre o débito do ar tratado e o nível de ruído. 3. Velocidade máxima, indicada para enfrentar as máximas emissões de vapores de cozedura, mesmo durante períodos prolongados.

- O exaustor foi concebido exclusivamente para o uso doméstico, a fim de eliminar os odores da cozinha.
- Nunca utilizar o exaustor para outros fins para os quais não foi concebido.
- Nunca deixe alta chamas expostas sob o exaustor quando o mesmo estiver a funcionar.
- Ajustar a intensidade da chama para direccioná-la apenas para o fundo da panela, certificando-se de que a mesma não envolva os lados.
- Fritadeiras de gordura profunda devem ser monitorizadas continuamente durante a utilização: óleosobreaquecido pode irromper em chamas.

3.2 Utilização eficiente em termos de Poupança de Energia

- Quando usar o seu aparelho, ajustar as definições da velocidade de acordo com a intensidade de vapor e de odor, de modo a economizar energia.
- Usar as velocidades reduzidas (1-2) em condições normais e a velocidade mais elevada (3) com vapor e odor intensos.
- As lâmpadas no exaustor são colocadas para iluminar a zona de cozedura.
- Se usar as mesmas para iluminação ambiente irá provocar consumo desnecessário de energia e iluminação insuficiente.
- Para que o seu exaustor consuma menos energia, deve colocá-lo a funcionar num nível de velocidade baixa.
- O seu exaustor irá reduzir o consumo de energia e funcionará de forma mais eficiente quando permitir a entrada de ar suficiente no mesmo..
- Definir o seu exaustor para um nível de potência de sucção intensa perante a formação de vapor, nos casos em que souber que irá ocorrer vapor denso. Portanto, reduza o consumo de energia utilizando o seu exaustor durante um período de tempo mais curto à medida que o mesmo tiver uma entrada de ar suficiente.
- Mantenha as tampas do recipiente fechadas para reduzir a libertação do vapor.

3.3 Funcionamento do exaustor

- O seu aparelho inclui um motor com várias velocidades.

3 Utilização do electrodoméstico

- Para um melhor desempenho, recomendamos usar velocidades reduzidas em condições normais e velocidades elevadas no caso de odores fortes e de vapor intenso.
- Pode começar a usar o seu aparelho premindo no botão de definição da velocidade pretendida. (V1, V2, V3)
- Pode iluminar a zona de cozedura premindo a lâmpada. (L)

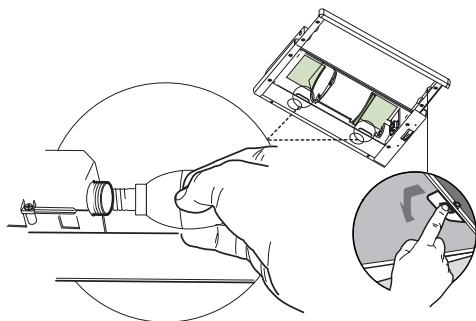
3.4 Substituição das lâmpadas




- Antes de substituir as lâmpadas, desligue a alimentação eléctrica do exaustor.
- Não tocar nas lâmpadas quando as mesmas estiverem quentes.
- Cuidado para não tocar com as mãos directamente na lâmpada substituída.



Pode comprar lâmpadas de agentes de serviço autorizados.

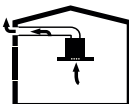


Lâmpada	
Potência da lâmpada	4 W
Suporte / Tomada	E14

Tensão da lâmpada	220 - 240 V
Código ILCOS	DRBB/F-4-220-240-E14-35/100
Dimensão	35x100 mm
Fluxo luminoso	400 lm
Temperatura de cor relacionada	3000 K

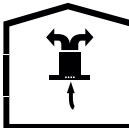
Este produto contém uma fonte de luz com a classe de eficiência energética "F".

3.5 Funcionamento com ligação à chaminé

-  O vapor é extraído através da conduta da chaminé, que é fixada à cabeça de ligação no exaustor.

- O diâmetro da conduta da chaminé tem de ser o mesmo do anel de ligação. Nas definições horizontais, o tubo tem de ter uma ligeira inclinação para cima (cerca de 10°) de modo a que o ar possa sair facilmente do espaço.

3.6 Funcionamento sem ligação à chaminé

-  O ar filtrado através do filtro de carvão e recirculado no espaço. O filtro de carvão é usado quando é impossível usar uma Chaminé dentro de casa.

- Na Chaminé com pouco uso, remover as abas no interior do adaptador da mesma.
- Retirar o filtro de gordura em alumínio. Para instalar o filtro de carvão, encaixar o filtro nas guias centrando o mesmo na peça de plástico nos dois lados da estrutura da ventoinha. Apertar o mesmo rodando-o para a direita ou para a esquerda.
- Voltar a colocar o filtro de gordura em alumínio.

4 Limpeza e manutenção

O exaustor deve ser mantido e limpo regularmente. Se não mantiver o exaustor limpo isso poderá afetar adversamente a duração do mesmo. Para a limpeza e para a manutenção, deve seguir as instruções indicadas no manual.



Antes de efetuar a limpeza e a manutenção, desligar o produto ou desligar o interruptor.



O incumprimento do estabelecido em relação à limpeza do exaustor e à substituição dos filtros pode resultar em risco de vida. Portanto, é recomendado seguir as orientações indicadas aqui. O fabricante não é responsável por danos no motor ou por incêndios provocado por um uso inadequado.

Limpar utilizando apenas um pano humedecido com detergente líquido neutro. Não limpar com ferramentas ou instrumentos. Não utilizar produtos abrasivos. Não usar álcool.

4.1 Limpeza do filtro de gordura em alumínio

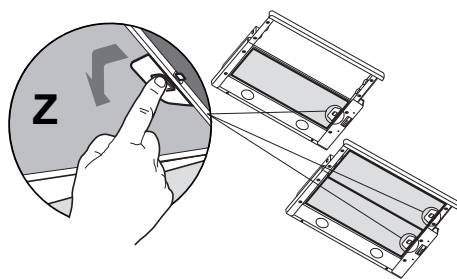
Este filtro retém as partículas do óleo existentes no ar. Os filtros de gordura em alumínio podem mudar de cor à medida que vão sendo lavados, isto é normal e não exige a substituição dos seus filtros de gordura em alumínio.



Pode lavar o filtro de gordura em alumínio na máquina de lavar loiça.



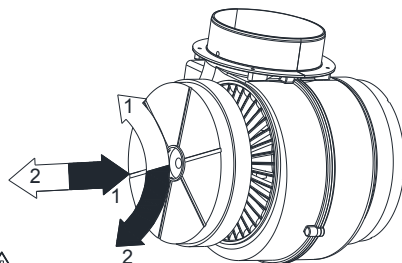
CUIDADO: Com uma utilização normal, limpar o filtro do óleo uma vez por mês.



4.2 Substituição dos filtros de carvão

Os filtros de eliminação de odores contêm carvão (Carvão ativo). Os filtros do óleo têm de ser instalados no produto, independentemente se forem usados filtros de carvão ou não.

When replacing the carbon filter pay attention to the type of used turbine.



Symbol Filter installation
Symbol Filter dismantling

CUIDADO

- O filtro de carvão nunca deve ser lavado.
- Substituir os filtros de carvão uma vez em cada 3 meses.
- Pode obter o filtro de carvão nos revendedores autorizados.

5 Montagem do dispositivo



ADVERTÊNCIA: Antes de iniciar a instalação, deve ler a informação de segurança no Manual do Utilizador.



ADVERTÊNCIA: Não instalar com parafusos e estabilizadores de acordo com estas instruções pode resultar em choque elétrico.

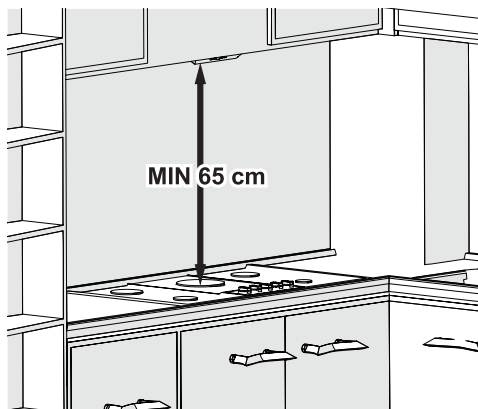


Consulte a página 266 para o guia de instalação

Para instalar o exaustor, deve contactar o Serviço Autorizado mais próximo.

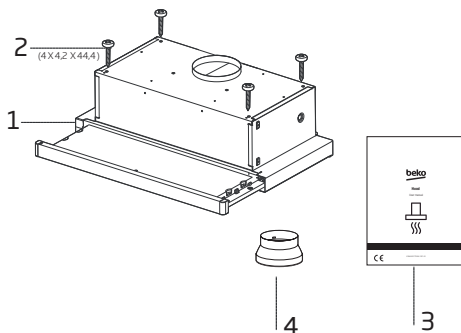
É da responsabilidade do cliente preparar a localização e a instalação elétrica do exaustor.

5.1 Posição do aparelho



- A distância entre o fogão e o exaustor tem de ser considerada antes da montagem.. Esta distância deve ser de 65 cm.
- A distância tem de ser medida a partir da superfície da grelha para os fogões a gás,
- a partir da superfície de vidro para os fogões elétricos.

5.2 Acessórios de instalação



1. Exaustor
2. Parafusos 4 X 4.2 X 44.4
3. Manual do Utilizador
4. 1 x adaptador de chaminé de plástico de Ø120/150 mm

5.3 Depozitarea

- Dacă nu doriți să utilizați aparatul pentru o perioadă lungă de timp, depozitați-l cu grijă.
- Asigurați-vă că aparatul este decuplat, că s-a răcit complet și că este perfect uscat.
- Depozitați aparatul într-un loc uscat și rece.
- Nu lăsați aparatul la îndemâna copiilor

5.4 Manevrarea și transportul

- În timpul manevrării și transportului, transportați produsul în ambalajul său original. Ambalajul aparatului îl protejează împotriva deteriorării fizice.
- Nu plasați obiecte grele pe aparat sau pe ambalaj. Aparatul poate fi deteriorat.
- Căderea aparatului îl poate face nefuncțional sau poate provoca daune permanente.

6 Resolução de problemas

Resolução de problemas	Causa Origem	Ajuda
O aparelho não está a funcionar.	Verificar os fusíveis.	Os fusíveis podem ter rebentado, inspecionar e restaurar.
O aparelho não está a funcionar.	Verificar a instalação elétrica.	A tensão de corrente elétrica deve estar entre 220 e 240 V.
O aparelho não está a funcionar.	Verificar a instalação elétrica.	Verificar se outro aparelho na sua cozinha está a funcionar.
A lâmpada de iluminação não funciona	Verificar a instalação elétrica.	A tensão de corrente elétrica deve estar entre 220 e 240 V.
A lâmpada de iluminação não funciona	Verificar o interruptor da lâmpada.	O interruptor da lâmpada deve estar na posição "ligado".
A lâmpada de iluminação não funciona	Inspecionar as lâmpadas.	As lâmpadas do aparelho devem acender.
A entrada de ar do aparelho é inadequada.	Inspecionar o filtro de alumínio.	Em condições normais de funcionamento, o filtro de gordura em alumínio deve ser limpo pelo menos uma vez por mês.
A entrada de ar do aparelho é inadequada.	Verificar a descarga de ar da chaminé.	A descarga de ar da chaminé deve estar na posição "ligado".
A entrada de ar do aparelho é inadequada.	Inspecionar o filtro de carvão.	Nos filtros em que são utilizados filtros de carvão, o filtro de carvão deve ser substituído a cada 3 meses em condições normais.



**Contacte a assistência técnica:
707 014 192 / 215 557 319**

CONDIÇÕES DE GARANTIA - PORTUGAL

Este certificado cobre a garantia de reparação do seu eletrodoméstico da linha branca e pequeno eletrodoméstico (*) durante o período de garantia legal determinado pela legislação em vigor a contar da data de compra, contra defeitos de funcionamento provenientes do fabrico ou dos materiais; ou de substituição do aparelho, a menos que uma dessas opções seja impossível ou desproporcionada em relação à outra. Quando detetar um defeito ou anomalia no aparelho entre imediatamente em contacto connosco para nos informar da não conformidade. Os pequenos eletrodomésticos devem ser entregues na oficina de serviço oficial da marca para a sua revisão.

Esta garantia só será válida se for apresentada a fatura, o recibo de compra, ou a nota de entrega correspondente a aquisição do produto. Esta garantia é válida em território espanhol e português para aparelhos distribuído pela Beko Home Appliances Portugal, Unipessoal, Lda. A garantia só é válida para o primeiro comprador ou adquirente do produto. A garantia será válida para os aparelhos cuja instalação esteja correta e que estejam localizados em condições climáticas e ambientais adequadas para o seu correto funcionamento.

EXCLUSÕES DA GARANTIA

O custo da reparação será pago pelo utilizador nos seguintes casos:

- Aparelhos utilizados para uso profissional ou não exclusivamente doméstico.
- Os equipamentos desmontados ou manuseados por outras pessoas que não os serviços técnicos expressamente autorizados.
- Instalações, transporte, substituição de equipamento, colocação em funcionamento, alteração do sentido das portas.
- Intervenções de manutenção ou informações sobre a utilização dos aparelhos.
- Alteração de injetores em aparelhos a gás.
- As avarias causadas pela falta de manutenção ou limpeza, ou aquelas causadas por um uso inadequado, sobrecarga, abandono ou de uma forma a não respeitar as instruções de uso ou instalação dos aparelhos.
- As avarias provocadas por causas acidentais, sinistros de força maior ou resultantes de instalação inadequada e em geral, avarias por razões não relacionadas com o produto.
- As avarias causadas por ligações que podem apresentar flutuações, irregularidades ou falta de uniformidade no fornecimento, por exemplo: abastecimento de água impulsionado por grupos de pressão, energia solar, energia eólica, geradores de energia elétrica ou outro tipo de fornecimento não-padrão.
- A substituição de materiais quebrados ou danificados por desgaste ou uso não normal do aparelho, ou consumíveis tais como: juntas, plásticos, borracha, correias, vidros, pincéis, lâmpadas, asas, puxadores, tampas de queimadores, filtros, grelhas, ânodos de sacrifício (magnésio ou similares) de aquecedores ou caldeiras, etc.
- Os aparelhos que apresentem oxidação, ou danos por corrosão nos esmaltes ou na pintura, que possam ter sido causados por efeitos químicos ou eletroquímicos da água ou de qualquer outra substância, ou acelerados por circunstâncias ambientais ou climáticas desfavoráveis.
- Defeitos estéticos em serigrafia ou pintura.
- Os danos causados por transporte ou manuseio, colisões, etc.
- Os aparelhos devem ser instalados de forma acessível em caso de reparação, devendo o utilizador assumir os custos necessários para aceder ao aparelho para reparação e substituição.

A presente garantia não afeta os direitos de que o consumidor dispõe conforme o previsto na legislação em vigor. O Serviço Oficial de Assistência Técnica resolverá qualquer incidente que o seu aparelho possa necessitar, desde que o aparelho seja instalado de forma acessível.

As marcas BEKO e GRUNDIG são distribuídas por Beko Home Appliances Portugal, Unipessoal, Lda

DADOS DO APARELHO (a ser preenchido pelo Distribuidor):

Detentor:		Carimbo do estabelecimento:
Modelo:	Nº série:	
Estabelecimento:	Data de compra:	

O fiador e o importador do seu eletrodoméstico é: Beko Home Appliances Portugal, Unipessoal, Lda; Edifício Amoreiras Square; Rua Carlos Alberto da Mota Pinto, nº 17, 3ªA, Amoreiras 1070-313, Lisboa, Portugal.

Conheça-nos melhor na nossa página: www.beko.com Conserve este documento, é importante para si.

(*) São considerados eletrodomésticos da linha branca, os aparelhos de cozinha, limpeza, refrigeração e ventilação de tamanho grande e pequenos eletrodomésticos, os de higiene pessoal, manutenção do lar e preparação de alimentos.

Si prega di leggere questo manuale prima dell'uso!

Gentile e stimato Cliente,

grazie per aver scelto questo apparecchio Beko. Ci auguriamo che riesca ad ottenere i risultati migliori da questo prodotto, realizzato con tecnologia all'avanguardia e di alta qualità. Pertanto, prima di utilizzare il prodotto, La preghiamo di leggere con attenzione e per intero il presente manuale e ogni altro documento allegato, conservandoli come riferimento per impieghi futuri. Nel caso cedesse il prodotto ad altre persone, consegni loro anche queste istruzioni. Segua tutte le avvertenze e le informazioni riportate nel manuale utente.

Consideri che questo manuale utente può risultare valido anche per altri modelli. Il contenuto ne descrive chiaramente le eventuali differenze.

Significato dei simboli

I seguenti simboli sono utilizzati in diverse sezioni del presente manuale utente:



Informazioni importanti e suggerimenti utili sull'utilizzo.



AVVERTENZA: Avvisi in merito a situazioni pericolose per la sicurezza di persone e cose.



Avvertenza per pericolo di incendio



Avvertenza per shock elettrico.



Classe di isolamento elettrico.



1 Istruzioni importanti per la sicurezza e l'ambiente

1.1 Sicurezza generale

Istruzioni importanti per la sicurezza. Leggere con attenzione e conservare per riferimenti futuri. Questa sezione contiene istruzioni di sicurezza che consentono di prevenire il pericolo di incendio, scossa elettrica, esposizione all'energia delle microonde, di lesioni personali o di danni materiali. L'inosservanza di queste istruzioni invalida la garanzia accordata.

- I prodotti Beko sono conformi agli standard di sicurezza applicabili; pertanto, in caso di danni all'apparecchio o al cavo di alimentazione, esso deve essere riparato o sostituito dal rivenditore, da un centro assistenza o da un centro specializzato e autorizzato per evitare danni. Lavori di riparazione errati o non autorizzati possono provocare danni e rischi per l'utente.
- Questo apparecchio è concepito per l'uso domestico e impieghi affini, come:
 - Aree ristoro per il personale in negozi, uffici ed altri ambienti di lavoro;
 - Agriturismi
 - Clienti di hotel e altri contesti di tipo residenziale;
 - Strutture tipo bed & breakfast.
- Utilizzare l'apparecchio per l'uso previsto, solo secondo quanto descritto in questo manuale.
- Il produttore non è da ritenersi responsabile di danni risultanti da un'installazione o un utilizzo non adeguati.
- Questo apparecchio può essere usato da bambini di età superiore agli 8 anni e da persone con ridotte capacità fisiche, sensoriali o mentali o prive dell'esperienza e delle conoscenze necessarie solo sotto supervisione o con l'ausilio delle istruzioni riguardanti l'uso dell'apparecchio in modo sicuro e con la comprensione dei rischi che ne derivano.
- I bambini non devono giocare con il dispositivo. Le operazioni di pulizia e manutenzione non devono essere eseguite da bambini in assenza di supervisione.

1 Istruzioni importanti per la sicurezza e l'ambiente

- La distanza minima tra la superficie di supporto per i contenitori per la cottura sul piano cottura e la parte inferiore dell'apparecchio deve essere di almeno 65 cm.
 - Se le istruzioni per l'installazione del fornello a gas specificano una distanza maggiore, si deve considerare questa misura.
 - Assicurarsi che l'alimentazione elettrica sia conforme alle informazioni fornite sulla targhetta di classificazione dell'apparecchio.
 - L'apparecchio non deve essere usato se questo o il cavo di alimentazione sono danneggiati.
 - Per evitare danni al cavo di alimentazione, evitare di schiacciarlo, piegarlo o strofinarlo su bordi taglienti. • Tenere il cavo di alimentazione lontano da superfici calde e fiamme libere.
 - Usare l'apparecchio solo con una presa con messa a terra.
- AVVERTENZA:** Non collegare l'apparecchio alla rete fino al completamento dell'installazione.
- Posizionare l'apparecchio in modo tale che la spina sia sempre accessibile.
 - Non toccare le lampadine se sono rimaste in funzione a lungo. Sono molto calde e possono causare ustioni alle mani.
 - Seguire le regole stabilite dalle autorità competenti per lo scarico dell'aria di sfiato (questa avvertenza non è applicabile per l'utilizzo senza tubo).
 - Mettere in funzione l'apparecchio prima di posizionare una pentola, una padella, ecc. sul piano di cottura. In caso contrario, il calore elevato potrebbe causare deformazioni ad alcune parti dell'apparecchio.
 - Spegnerne il piano cottura prima di rimuovere la pentola, la padella, ecc.
 - Non lasciare olio caldo sul piano cottura. Le padelle con olio caldo possono causare autocombustione.
 - Fare attenzione a tende e coperte: l'olio può prendere fuoco quando si cucinano alimenti come le patate fritte.

1 Istruzioni importanti per la sicurezza e l'ambiente

- Il filtro antigrasso deve essere sostituito almeno una volta al mese. Il filtro a carbonio deve essere sostituito almeno una volta ogni 3 mesi.
- L'apparecchio deve essere pulito secondo quanto indicato nel manuale utente. Nel caso in cui la pulizia non venga effettuata rispettando tali indicazioni si rischiano incendi.
- Non utilizzare materiali di filtraggio non antincendio al posto dell'attuale filtro.
- Usare solo parti originali o quelle consigliate dal produttore.
- Non mettere in funzione l'apparecchio senza filtro e non rimuovere i filtri durante il funzionamento dell'apparecchio.
- Nel caso in cui si sprigionino fiamme, interrompere l'alimentazione all'apparecchio e alle apparecchiature per la cottura.
- Nel caso in cui si sprigionino fiamme, coprire la fiamma e non utilizzare mai acqua per spegnerla.
- Scollegare l'apparecchio prima di ogni pulizia e quando non è in uso.
- La pressione negativa nell'ambiente non dovrebbe essere superiore a Pa (4 x 10 bar) quando la cappa per il piano di cottura elettrico e le apparecchiature che funzionano con un tipo di energia diverso dall'elettricità sono in funzione simultaneamente.
- Nell'ambiente in cui viene utilizzato l'apparecchio, lo scarico dei dispositivi che funzionano a gasolio o gas, come una stufetta, deve essere assolutamente isolato oppure il dispositivo deve essere di tipo ermetico.
- Per il collegamento del tubo utilizzare elementi con un diametro di 120 o 150 mm. Il collegamento del tubo deve essere quanto più corto possibile e avere meno gomiti possibile.
- Pericolo di soffocamento! Tenere tutti i materiali di imballaggio lontani dalla portata dei bambini.

ATTENZIONE: Le parti accessibili potrebbero diventare molto

1 Istruzioni importanti per la sicurezza e l'ambiente

calde se utilizzate con apparecchiature di cottura.

- Lo sfiato dell'apparecchio non deve essere collegato a canali per l'aria in cui siano presenti altri fumi.
- La ventilazione nella stanza potrebbe risultare insufficiente quando la cappa del piano di cottura è utilizzata in contemporanea con i dispositivi funzionanti a gas o altri combustibili (ciò potrebbe non essere applicabile per apparecchi che si limitano a scaricare nuovamente l'aria nella stanza).
- Gli oggetti posizionati sull'apparecchio potrebbero cadere. Non posizionare oggetti sull'apparecchio.
- Non cucinare al flambé sotto l'apparecchio.

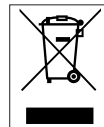
AVVERTENZA: Prima di installare la cappa rimuovere le pellicole protettive.

- Non lasciare mai la fiamma nuda alta sotto la cappa quando questa è in funzione.
- Le friggatrici devono essere monitorate costantemente durante

l'uso: l'olio surriscaldato può innescare fiamme.

1.2 Conformità alla direttiva RAEE e smaltimento rifiuti:

Questo prodotto è conforme alla direttiva UE RAEE (2012/19/EU). Questo prodotto porta un simbolo di classificazione per la strumentazione elettrica ed elettronica di scarto (WEEE).



Questo simbolo indica che il prodotto non deve essere smaltito con altri rifiuti domestici al termine della sua vita utile. Il dispositivo usato deve essere riportato al punto di raccolta ufficiale per il riciclaggio dei dispositivi elettrici ed elettronici. Per individuare questi punti di raccolta, contattare le proprie autorità locali oppure il rivenditore presso cui è stato acquistato il prodotto. Ciascuna famiglia riveste un ruolo importante nel recupero e riciclaggio di vecchi apparecchi.

Lo smaltimento appropriato degli apparecchi usati aiuta a prevenire potenziali conseguenze negative per l'ambiente e la salute umana.

1.3 Conformità alla direttiva RoHS

Il prodotto acquistato è conforme alla direttiva UE RoHS (2011/65/UE). Non contiene materiali dannosi e vietati specificati nella Direttiva.

1.4 Informazioni sull'imballaggio

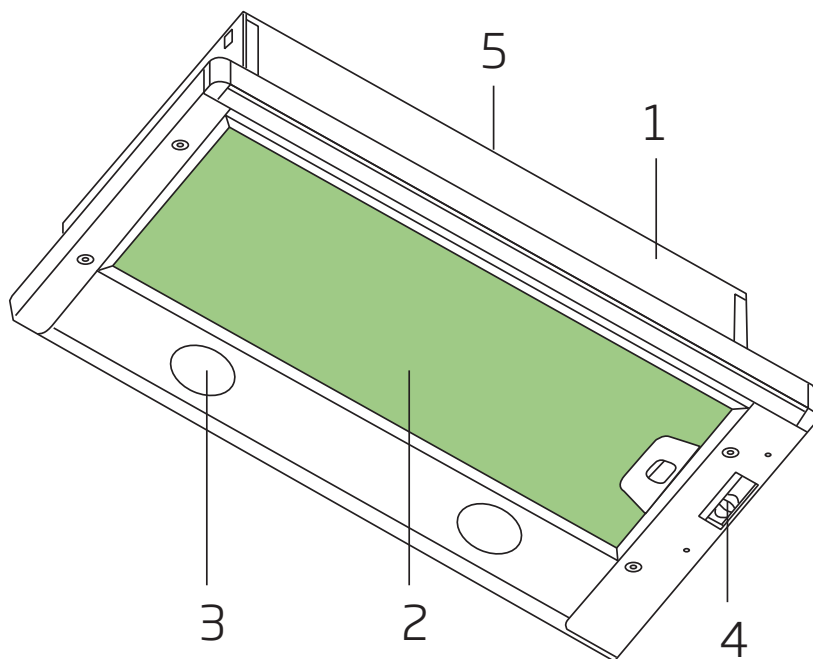


I materiali di imballaggio del prodotto sono realizzati impiegando materiali riciclabili in conformità con le nostre Norme nazionali in materia di ambiente.

Non smaltire i materiali dell'imballaggio con i rifiuti domestici o altri rifiuti. Portarli presso i punti di raccolta per materiali di imballaggio indicati dalle autorità locali.

2 Aspetto generale

2.1 Panoramica



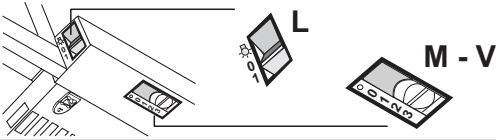
1. Corpo principale
2. Filtro grasso in alluminio
3. Luce
4. Pannello di controllo
5. Canna

2.2 Dati tecnici

Modello	CTB 6250 X CTB 6250 B CTB 6250 W CTB 6250 XH	CTB 9250 X CTB 9250 XH
Tensione di alimentazione	220-240V ~ 50 Hz	
Potenza lampadina	2x4 W	
Potenza motore	1 x 140 W	
Flusso d'aria – 3. Livello	420 m³/h	
Classe d'isolamento	CLASSE II	

3 Utilizzo dell'apparecchio

3.1 Pannello di controllo

	
L: Luci	Accende e spegne l'Impianto di Illuminazione.
M: Motore	Accende e spegne il motore Aspirazione.
V: Velocità	Determina la velocità di esercizio: 1. Velocità minima, adatta ad un ricambio d'aria continuo particolarmente silenzioso, in presenza di pochi vapori di cottura. 2. Velocità media, adatta alla maggior parte delle condizioni d'uso, dato l'ottimo rapporto tra portata d'aria trattata e livello sonoro. 3. Velocità massima, adatta a fronteggiare le massime emissioni di vapore di cottura, anche per tempi prolungati.

- La cappa è stata progettata esclusivamente per uso domestico, per eliminare gli odori della cucina.
- Non utilizzare mai la cappa per scopi diversi da quelli per cui è stata progettata.
- Non lasciare mai fiamme alte libere sotto la cappa quando è in funzione.
- Regolare l'intensità della fiamma per indirizzarla solo sul fondo della padella, facendo attenzione a farla andare oltre ai suoi bordi.
- Le friggitorici devono essere continuamente monitorate durante l'uso: l'olio surriscaldato può generare un incendio.

3.2 Utilizzo ad efficienza energetica:

- Quando si utilizza la cappa, regolare il livello di velocità secondo l'intensità dell'odore e del vapore per evitare un consumo energetico non necessario.
- Utilizzare basse velocità in condizioni normali (1-2) e alta velocità (3) quando odore e vapori sono più intensi.
- Le luci sulla cappa sono concepite per illuminare la zona di cottura.
- Utilizzarle per illuminare l'ambiente/la cucina provoca un consumo energetico non necessario, nonché illuminazione inadeguata.
- Al fine di ridurre il consumo energetico dell'apparecchiatura, farla funzionare a bassa velocità.
- L'apparecchiatura ridurrà il consumo di energia dato che funzionerà in modo più efficiente quando l'aria aspirata sarà sufficiente.
- Impostare l'apparecchiatura al livello di potenza di aspirazione intensa prima della formazione del vapore, nei casi in cui si sappia che si formerà del vapore denso. Così facendo viene ridotto il consumo energetico utilizzando l'apparecchiatura per un periodo di tempo più breve, dato che l'aria aspirata è sufficiente.
- Tenere chiusi i coperchi delle pentole al fine di ridurre la fuoriuscita del vapore.

3.3 Funzionamento della cappa:

- La cappa è dotata di un motore che ha varie velocità di velocità.
- Per una migliore prestazione, consigliamo di utilizzare velocità basse in condizioni normali e velocità

3 Utilizzo dell'apparecchio

alta quando odore e vapori sono più intensi.

- Si può avviare la cappa premendo il tasto del livello di velocità desiderato (V1,V2,V3).
- Si può illuminare l'area di cottura premendo il tasto della luce. (L)

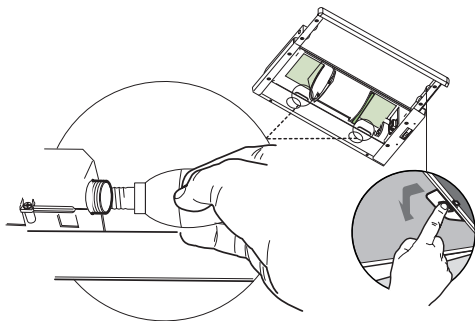
3.4 Sostituzione lampadina



- Prima di sostituire le lampadine, scollegare l'alimentazione della cappa.
- Non toccare le lampadine quando sono calde.
- Fare attenzione a non toccare direttamente con le mani la lampadina sostituita.



È possibile acquistare le lampade da centri di assistenza autorizzati.

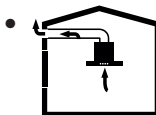


Lampadina	
Potenza della lampadina	4 W
Supporto / Presa	E14
Tensione della lampadina	220 - 240 V
Codice ILCOS	D R B B / F - 4 - 2 2 0 - 240-E14-35/100

Misurare	35x100 mm
Flusso luminoso	400 lm
Temperatura del colore correlata	3000 K

Questo prodotto contiene una sorgente luminosa di classe di efficienza energetica "F".

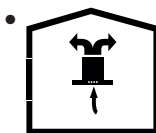
3.5 Utilizzo con il collegamento del tubo



Il vapore viene rimosso mediante un tubo fissato alla testa di collegamento della cappa.

- Il diametro del tubo deve essere pari al diametro dell'anello di collegamento. Per consentire lo sfiumo dell'aria senza problemi fuori dall'ambiente nelle sistemazioni orizzontali, il tubo deve essere leggermente inclinato verso l'alto (circa 10°).

3.6 Utilizzo senza il collegamento del tubo



L'aria è filtrata dal filtro di carbonio e immessa di nuovo nell'ambiente. Il filtro di carbonio è utilizzato quando non ci sono tubi in casa.

- Se la cappa sarà utilizzata senza collegamento del tubo, rimuovere i deviatori interni all'adattatore del tubo.
- Rimuovere il filtro di alluminio. Per montare il filtro di carbonio, centrarlo sulla parte in plastica a entrambi i lati del corpo della ventola e fissarlo alle alette. Fissare il filtro ruotando le alette verso destra o sinistra.
- Montare il filtro di alluminio.

4 Pulizia e manutenzione

L'apparecchiatura deve essere pulita e sottoposta a regolare manutenzione. La mancata pulizia dell'apparecchiatura ne compromette la durata. Per le operazioni di pulizia e manutenzione, seguire le istruzioni riportate nel manuale.



Prima della pulizia e della manutenzione, scollegare l'apparecchio o scollegare l'alimentazione, oppure allentare il fusibile che alimenta la cappa.



La mancata osservanza delle disposizioni relative alla pulizia dell'apparecchiatura e alla sostituzione dei filtri può comportare un rischio di incendio. Si raccomanda pertanto di seguire le indicazioni qui riportate. Il produttore non è responsabile dei danni al motore o degli incendi derivanti da un uso improprio.

Pulire utilizzando solo un panno inumidito con un detergente liquido neutro. Non pulire con attrezzi o strumenti. Non utilizzare prodotti abrasivi. Non utilizzare alcool

4.1 Pulizia del filtro per il grasso in alluminio

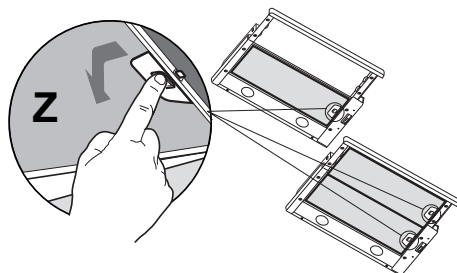
Questo filtro cattura le particelle di olio nell'aria. Si consiglia di pulire il filtro ogni mese in condizioni d'uso normali. Per prima cosa rimuovere i filtri del grasso. Lavare i filtri con detersivo liquido e sciacquarli con acqua e rimontarli dopo che sono asciutti. I filtri per il grasso in alluminio possono scolorirsi durante il lavaggio; questo è normale e non è necessario cambiare il filtro.



I filtri di alluminio possono anche essere lavati in lavastoviglie.



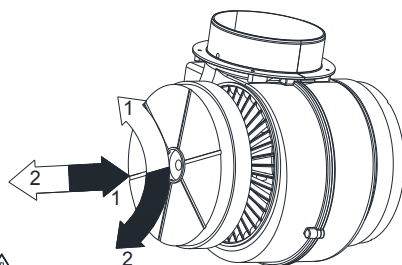
ATTENZIONE: In caso di uso normale, pulire il filtro una volta al mese.



4.2 Sostituzione del filtro ai carboni (modalità di circolazione dell'aria)

La cappa può essere dotata di un filtro ai carboni attivi. Il filtro ai carboni attivi viene applicato solo nel caso in cui la cappa non sia collegata al condotto di ventilazione.

When replacing the carbon filter pay attention to the type of used turbine.



Symbol Filter installation
Symbol Filter dismantling

WARNING:

- The carbon filter is never washed.
- Replace carbon filters once every 3 months.
- Carbon filter is available from Authorized Services.

5 Installazione dell'apparecchio



AVVERTENZA: prima di iniziare l'installazione, leggere le informazioni di sicurezza sul manuale utente.



AVVERTENZA: la mancata installazione con viti e stabilizzatori in conformità con queste istruzioni può causare scosse elettriche.

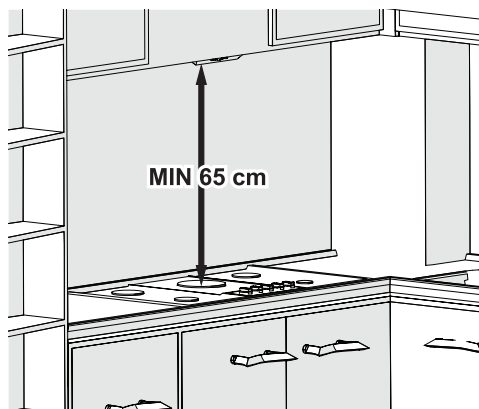


Cfr. pagina 266 per la guida all'installazione

Consultare l'agente autorizzato per l'assistenza più vicino per il montaggio della cappa.

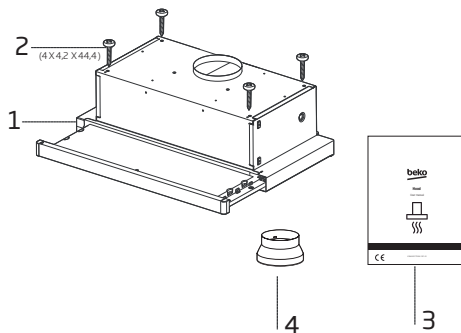
La preparazione della posizione e l'installazione elettrica per il prodotto sono responsabilità del cliente.

5.1 Posizione dell'apparecchio



- La distanza tra la superficie inferiore della cappa e la superficie superiore del piano cottura deve essere almeno 65 cm.
- La distanza deve essere misurata dalla superficie della griglia per cucine a gas, da superficie di vetro per cucine elettriche.

5.2 Accessori per l'installazione



1. Cappa
2. 4 X 4,2 X 44,4 viti
3. Manuale Utente
4. 1 x adattatore tubo di plastica Ø120/150 mm

5.3 Conservazione

- Se non si intende usare l'apparecchio per molto tempo, conservatelo con cura.
- Assicurarsi che l'apparecchio sia scollegato, raffreddato e completamente asciutto.
- Conservare l'apparecchio in un luogo fresco e asciutto.
- Tenere l'apparecchio fuori dalla portata dei bambini

5.4 Manipolazione e trasporto

- Durante la manipolazione e il trasporto, trasportare l'apparecchio nel suo imballo originale. L'imballaggio dell'apparecchio lo protegge da danni fisici.
- Non appoggiare carichi pesanti sull'apparecchio o sull'imballaggio. L'apparecchio potrebbe essere danneggiato.
- La caduta dell'apparecchio ne causerà il malfunzionamento o potrebbe essere causa di danni permanenti.

6 Risoluzione dei problemi

Risoluzione dei problemi	Motivo	Soluzione
Il prodotto non funziona.	Controllare il fusibile.	Il fusibile potrebbe essere chiuso, farlo funzionare.
Il prodotto non funziona.	Controllare il collegamento elettrico.	La tensione di rete deve essere compresa tra 220-240 V.
Il prodotto non funziona.	Controllare il collegamento elettrico.	Controllare se gli altri elettrodomestici in cucina funzionano o meno.
La lampadina non funziona.	Controllare il collegamento elettrico.	La tensione di rete deve essere compresa tra 220-240 V.
La lampadina non funziona.	Controllate l'interruttore della luce.	L'interruttore della lampadina dovrebbe essere in posizione "on".
La lampadina non funziona.	Controllare le lampadine.	Le lampadine del prodotto non dovrebbero essere difettose.
L'aspirazione dell'aria del prodotto è scarsa.	Controllare il filtro di alluminio.	Il filtro dell'olio in alluminio deve essere pulito almeno una volta al mese in condizioni normali.
L'aspirazione dell'aria del prodotto è scarsa.	Controllare la canna fumaria.	L'interruttore della canna fumaria dovrebbe essere in posizione "on" .
L'aspirazione dell'aria del prodotto è scarsa.	Controllare il filtro al carbone.	Per i prodotti con filtro a carbone, il filtro dovrebbe essere sostituito di norma ogni 3 mesi.

Læs denne brugervejledning først!

Kære værdsatte kunde

Tak, fordi du har købt dette Beko-apparat. Vi håber, du får det bedste ud af dit apparat, som er fremstillet ved hjælp af moderne teknologi af højeste kvalitet. Af denne årsag skal du læse hele brugervejledningen og alle andre medfølgende dokumenter grundigt igennem, inden du tager apparatet i brug. Gem brugervejledningen til fremtidig brug. Hvis du giver apparatet videre til en anden, skal du huske også at give brugervejledningen videre. Følg vejledningen ved at læse alle brugervejledningens oplysninger og advarsler omhyggeligt.

Husk, at denne brugervejledning også gælder for andre modeller. Forskelle mellem modellerne er udtrykkeligt beskrevet i vejledningen.

Symbolernes betydning

Følgende symboler bruges i brugervejledningens forskellige afsnit:



Vigtige oplysninger og nyttige brugsråd.



ADVARSEL: Advarsler om farlige situationer vedrørende sikkerhed for personer og ejendele.



ADVARSEL: Advarsel om brandfare.



ADVARSEL: Advarsel mod elektrisk stød.



Beskyttelsesklasse for elektrisk stød.



1 Vigtige anvisninger vedrørende sikkerhed og miljø

1.1 Generelle sikkerhedsregler

Vigtige sikkerhedsanvisninger. Læs dem omhyggeligt, og opbevar dem til fremtidig brug

Dette afsnit indeholder sikkerhedsanvisninger om beskyttelse mod brandfare, elektrisk stød, læk af stråling fra mikrobølgeovnen, personskade og materielskade. Hvis disse anvisninger ikke følges, er en eventuel garanti ugyldig.

- Beko-produkter overholder gældende sikkerhedsstandarder. I tilfælde af eventuelle skader på apparatet eller strømkablet skal det derfor repareres eller udskiftes af forhandleren, et servicecenter eller lignende specialiseret og autoriseret serviceudbyder for at undgå enhver fare. Forkert eller ukvalificeret reparation kan forårsage skader og risici for brugeren.
- Apparatet er kun beregnet til husholdningsbrug og lignende anvendelser, som for eksempel:
 - I personalekøkkener i butikker, på kontorer og andre arbejdspladser,

- På gårde,
- Af gæster på hoteller, moteller og lignende boliglignende virksomheder,
- I bed and breakfast-lignende miljøer.
- Brug kun dette apparat til den tilsigtede brug beskrevet i denne vejledning.
- Producenten påtager sig ikke ansvar for skader som følge af ukorrekt eller fejlagtig installation af produktet.
- Dette apparat kan bruges af børn over 8 år og af personer med reducerede fysiske, psykiske eller mentale evner eller mangel på erfaring og viden, hvis de har været under opsyn eller har fået instruktioner i brugen af apparatet på en sikker måde og forstår de farer, der måtte være involveret.
- Børn må ikke lege med apparatet. Rengøring og vedligeholdelse må ikke foretages af børn uden opsyn.
- Minimumsafstanden mellem den understøttende overflade til

1 Vigtige anvisninger vedrørende sikkerhed og miljø

madlavningsudstyret på kogepladen og den laveste del af produktet 65 cm.

- Hvis installationsvejledningen for gaskomfuret angiver en større afstand, skal denne overholdes.
 - Sørg for, at strømforsyningen overholder værdierne, der er angivet på apparatets typeplade.
 - Brug aldrig apparatet, hvis det eller strømkablet er beskadiget.
 - For at undgå skade på strømkablet skal du undlade at klemme, bøje eller gnide det mod skarpe kanter. Hold strømkablet væk fra varme overflader og åben ild.
 - Brug kun apparatet med en stikkontakt med jordforbindelse.
- ADVARSEL:** Slut ikke apparatet til netstrøm, før det er helt færdigmonteret.
- Placer apparatet således, at stikket altid er tilgængeligt.
 - Berør ikke emhættens lamper, efter de har været tændt i en længere periode. Du kan brænde hænderne på dem, da de er varme.
 - Følg de regler, der er fastsat af de kompetente myndigheder, vedrørende udledningen af udstødningsluften (denne advarsel gælder ikke i forbindelse med brug uden aftræk).
 - Betjen apparatet, når der er sat en gryde, pande eller lignende på komfuret. Ellers kan varmen forårsage deformation i visse dele af produktet.
 - Sluk for komfuret, inden gryden, panden eller lignende tages af.
 - Efterlad ikke varm olie på komfuret. Pander med varm olie kan selvantænde.
 - Hold øje med gardiner og andre tekstiler, da der kan gå ild i olien under tilberedning af madvarer som f.eks. pommes frites.
 - Fedtfilteret skal udskiftes mindst en gang om måneden. Kulfilteret skal udskiftes mindst hver tredje måned.
 - Produktet skal rengøres i henhold til brugervejledningen. Hvis rengøringen ikke udføres i henhold til brugervejledningen, kan der være brandfare.

1 Vigtige anvisninger vedrørende sikkerhed og miljø

- Brug ikke-brandhæmmende filtermaterialer i stedet for det nuværende filter.
- Brug kun originale dele eller dele anbefalet af producenten.
- Brug ikke produktet uden filteret, og fjern ikke filtrene, mens produktet er i brug.
- Hvis der skulle opstå brand, skal du slukke for produktet og eventuelt madlavningsudstyr.
- Hvis der skulle opstå brand, skal flammen tildækkes. Brug aldrig vand til at slukke branden med.
- Træk apparatets stik ud af stikkontakten før hver rengøring, og når apparatet ikke er i brug.
- Det negative tryk i omgivelserne bør maksimalt være 4 Pa (4 x 10 bar), når emhætten og apparater, der kører på en anden type energi, er tilsluttet strøm samtidigt.
- I det rum, hvor apparatet bruges, skal udledningen fra apparater, der kører på fyringsolie eller gas, som f.eks. et varmeapparat, være helt isoleret, eller apparatet skal være hermetisk.
- Når aftrækket tilsluttes, skal der bruges rør med en diameter på 120 eller 150 mm. Rørtilslutningen skal være så kort som muligt og have så få bøjninger som muligt.
- Fare for kvælning! Hold al emballage væk fra børn.

FORSIGTIG: Emhættens tilgængelige dele kan blive varme, når de bruges med kogeudstyr.

- Produktets aftræk må ikke være forbundet med luftkanaler, der indeholder anden røg.
- Ventilationen i rummet skal være tilstrækkelig, når emhætten bruges samtidig med apparater, der kører på gas eller andre brændstoffer (dette gælder muligvis ikke for apparater, der kun udleder luften tilbage i rummet).
- Genstande, der anbringes på produktet, kan vælte. Anbring ikke genstande på produktet.
- Undlad at flambere noget under produktet.

1 Vigtige anvisninger vedrørende sikkerhed og miljø

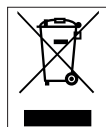
ADVARSEL: Fjern den beskyttende film, inden emhætten installeres.

Efterlad aldrig store åbne flammer under emhætten, når den er i brug.

- Frituregryder skal altid være under opsyn - overophedet olie kan bryde i flammer.

1.2 Overholdelse af WEEE-direktivet og affaldshåndtering:

Dette produkt overholder EU's WEEE-direktiv (2012/19/EU). Dette produkt er mærket med piktogrammet for elektrisk og elektronisk skrot (WEEE).



Dette symbol indikerer, at dette produkt ikke må bortskaffes sammen med almindeligt husholdningsaffald, når slutningen på dets levetid er nået. Det brugte apparat skal afleveres på en offentlig genbrugsplads for elektriske og elektroniske apparater. Kontakt din kommune eller forhandleren af produktet for at finde ud af, hvor disse genbrugspladser ligger. Alle husholdninger spiller en vigtig rolle i forhold til genanvendelse og genbrug af gamle apparater. Korrekt bortskaffelse af brugte apparater hjælper med at beskytte mod potentielt negative konsekvenser for miljøet og mennesker.

1.3 Overholdelse af RoHS-direktivet

Det produkt, du har købt, overholder EU's RoHS-direktiv (2011/65/EU). Det indeholder ikke skadelige og forbudte materialer som angivet i direktivet.

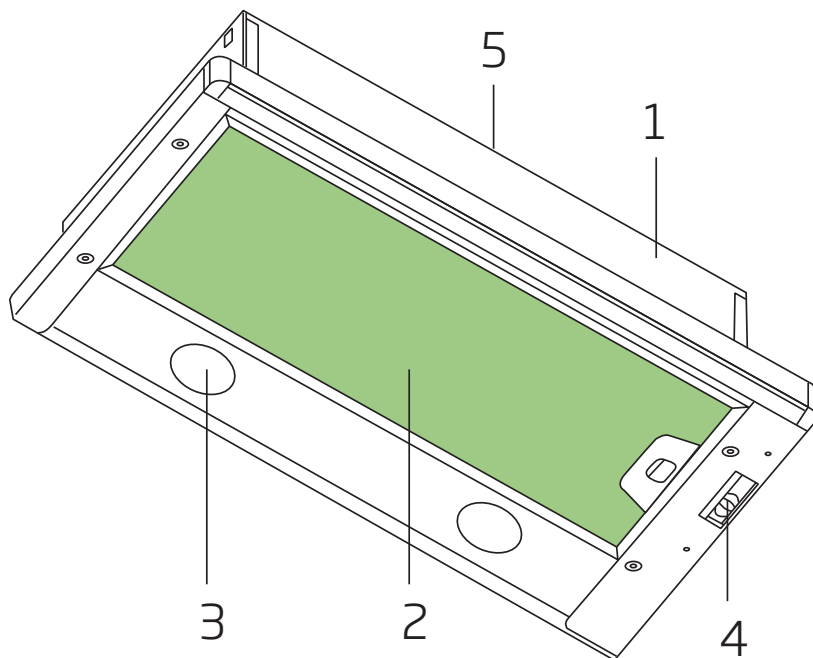
1.4 Information om emballagen



Produktets emballage er fremstillet af genbrugsmaterialer i overensstemmelse med nationale miljølove. Emballagen må ikke smides ud sammen med husholdningsaffald eller andet affald. Emballagen skal afleveres på en genbrugsplads, der tager imod emballage, som anvist af dine lokale myndigheder.

2 Generelt Udseende

2.1 Oversigt



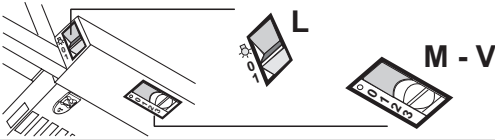
1. Hovedkasse
2. Aluminiumsfedtfilter
3. Lampe
4. Betjeningspanel
5. Skorsten

2.2 Tekniske data

Model	CTB 6250 X CTB 6250 B CTB 6250 W CTB 6250 XH	CTB 9250 X CTB 9250 XH
Forsyningsspænding	220-240V ~ 50 Hz	
Strømforbrug	2x4 W	
Motoreffekt	1 x 140 W	
Luftstrøm - 3. Niveau	420 m ³ /h	
Isoleringsklasse	KLASSE II	

3 Brug af Apparatet

3.1 Styrepanel

	
L: Lys	Tænder og slukker for belysningen.
M: Motor	Tænder og slukker udsugningsmotoren.
V: Hastighed	Bestemmer driftshastigheden: 1. Laveste hastighed, velegnet for en kontinuerlig og særlig lydløs udskiftning af luften, når der kun forefindes lidt stegeos. 2. Mellemste hastighed, som er velegnet under de fleste arbejdsforhold, da forholdet mellem luftudskiftning og støjniveau er optimalt. 3. Højeste hastighed, som kan klare meget kraftig os og damp, også over længere tid.

- Emhætten er udelukkende designet til husholdningsbrug for at fjerne køkkenlugt.
- Brug aldrig hætten til andre formål end det er designet til.
- Efterlad aldrig høj åben ild under hætten, når den er i drift.
- Juster flammeintensiteten for kun at rette den mod bunden af gryden, og sørg for, at den ikke omfatter i siderne.
- Frityrekogere til dybstege skal overvåges kontinuerligt under brug: overophedet oliekan antændes.

3.2 Energieffektiv anvendelse

- Når du bruger din emhætte, kan du justere hastigheden efter damp- og lugt-intensitet, for at spare energi.
- Brug hastigheder (1 - 2) under normale forhold, og høje hastigheder (3) ved intens lugt og damp.
- Lamperne på emhætten er placeret til belysning af madlavningsområde.
- Brug til miljømæssig belysning vil skabe unødigt energiforbrug og utilstrækkelig belysning.
- For at din enhed bruger mindre energi, skal du køre den på et lavt hastighedsniveau.
- Din enhed vil mindske energiforbruget, da den vil køre mere effektivt, når du forsyner den med tilstrækkeligt luftindtag.
- Indstil din enhed til det intense suge-effektniveau, inden dannelsen af damp, i tilfælde, hvor du ved at den tætte damp vil opstå. Således mindsker du energiforbruget ved at bruge din enhed i kortere tid, da den vil have tilstrækkeligt luftindtag.
- Hold låget på køkkentøjet lukket for at mindske den damp, der udvikles.

3.3 Betjening af produktet

- Din emhætte indeholder en motor, der har forskellige hastigheder.
- For at opnå en god funktion anbefaler vi at bruge lave hastigheder under normale forhold og høj hastighed i tilfælde af stærke lugte og intens damp.
- Du kan starte din emhætte ved at trykke på den ønskede hastighedsindstillings-knap. (V1,V2,V3).
- Du kan belyse madlavningsområdet ved at trykke på lampen (L).

3 Brug af Apparatet

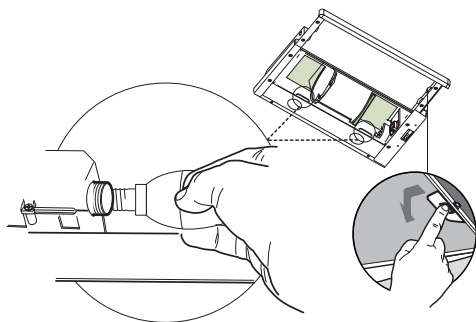
3.4 Udskiftning af lampe



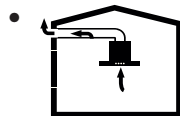
- Før du udskifter pærer, skal du afbryde strømforsyningen til emhætten.
- Rør ikke ved pærer, når de er varme.
- Pas på ikke at røre den udskiftede pære direkte med hænderne.



Du kan anskaffe lamper fra autoriserede serviceagenter.

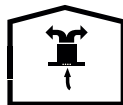


3.5 Drift med skorstenstilslutning




- Dampen fjernes via røggasstuds, der er fastgjort til forbindelseshovedet på emhætten.
- Diameteren af røggasstudsens skal være den samme som tilslutningsringen. I vandret tilslutning, skal røret skråne let opad på skrå (ca. 10°), så luften let kan forlade rummet.

3.6 Drift uden skorstenstilslutning



- Luft filtreres af kulfilteret og returneres til rummet. Kulfilter bruges, når der ikke er nogen røggas i huset.
- Ved brug uden røggasstuds, fjernes flapperne inden i røggasstudsadapteren.
- Fjern aluminiumsfedfilteret. For at installere kulfilteret, sæt filteret på fanerne ved at centrere dem på plastikstykket på begge sider af ventilatoren. Stram den ved at dreje til højre eller venstre.
- Udskift aluminiumsfedfilter

Pære	
Strøm til pære	4 W
Holder/fatning	E14
Pærespænding	220 - 240 V
ILCOS-kode	DRBB/F - 4 - 220 - 240-E14-35/100
Størrelse	35x100 mm
Lysflow	400 lm
Tilpasset farvetemperatur	3000 K

Dette produkt indeholder en lyskilde af energieffektivklasse "F"

4 Rengøring og vedligeholdelse

Enheden bør rengøres og vedligeholdes regelmæssigt. Hvis man ikke holder enheden ren, vil det have en modsat effekt på enhedens levetid. For rengøring og vedligeholdelse, følg instruktionerne angivet i manualen.



Før rengøring og vedligeholdelse skal du tage stikket ud af stikkontakten eller slukke for hovedkontakten eller løsne den sikring, der forsyner enhætten.



Manglende overholdelse af bestemmelserne vedrørende rengøring af enheden og udskiftning af filtre kan medføre brandfare. Det anbefales derfor at overholde retningslinjerne givet her. Producenten er ikke ansvarlig for nogen skade på motoren eller brande forårsaget af forkert brug.

Rengør kun med en klud, der er fugtet med neutralt flydende vaskemiddel. Rengør ikke med værktøjer eller instrumenter. Brug ikke slibende produkter. Brug ikke alkohol

4.1 Rengøring af aluminiumsfedtfiler

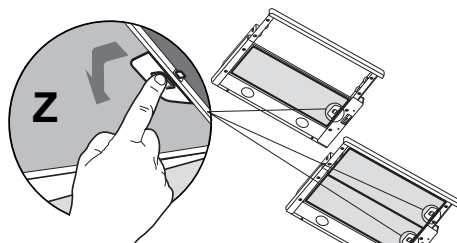
Dette filter fanger oliepartikler i luften. Det anbefales, at du rengør dit filter hver måned under normale brugsbetingelser. Fjern først fedtfilterne til denne proces. Vask filtrene med flydende vaskemiddel, og skyl dem med vand og installer dem tilbage, efter at de er tørre. Aluminiumsfedtfiltre kan blive misfarvet under vask. Dette er normalt, og du behøver ikke at skifte dit filter.



Du kan også vaske aluminiumsfedtfileret i vaskemaskinen.



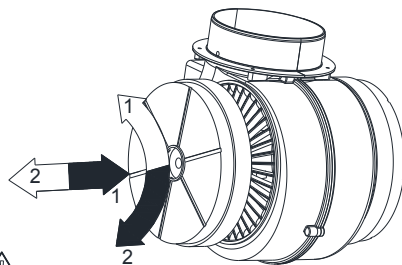
FORSIGTIG: I tilfælde af normal brug, skal du rense aluminiumsfedtfileret en gang hver måned.



4.2 Udskiftning af kulfilter (luftcirkulationstilstand)

Enhætten kan udstyres med et aktivt kulfilter. Kulfilteret påføres kun, hvis hætten ikke er tilsluttet udluftningskanalen.

When replacing the carbon filter pay attention to the type of used turbine.



Symbol  Filter installation
Symbol  Filter dismantling



FORSIGTIG

- Kulfilteret må aldrig vaskes.
- Skift kulfiltre hver 3 måned.
- Du kan skaffe ekstra kulfiltre fra autoriserede tjenester.

5 Opsætning af enheden



ADVARSEL: Læs sikkerhedsoplysningerne i brugsanvisningen før du begynder installationen.



ADVARSEL: Hvis du ikke installerer med skruer og stabilisatorer i overensstemmelse med disse instruktioner, kan det resultere i elektrisk stød.

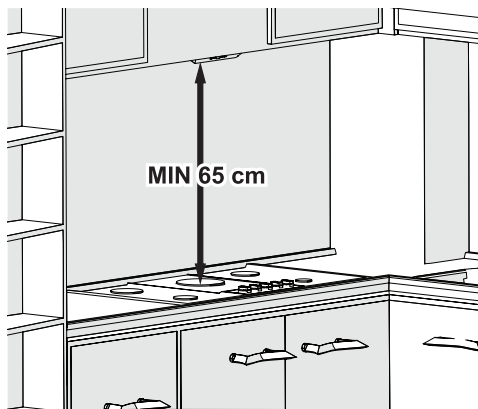


Vi henviser til side 266 i installationsvejledningen

For installation af emhætten, skal du kontakte den nærmeste autoriserede serviceværksted.

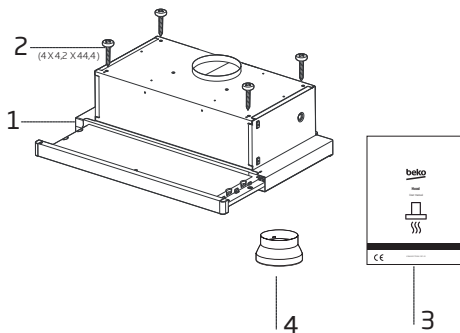
Det er kundens ansvar at forberede placeringen og elinstallationen af emhætten.

5.1 Placering af produktet



- Afstanden mellem komfuret og emhætten skal tages i betragtning før samling. Denne afstand skal være 65 cm.
- Afstanden skal måles fra overfladen af risten for gasbrændere.
- Fra glasoverfladen for elkomfurer.

5.2 Tilbehør til installation



1. Emhætte
2. 4 X 4,2 X 44,4 skruer
3. Brugervejledning
4. 1 X Ø 120/150 mm plastik-røggasstudsadapter

5.3 Opbevaring

- Hvis du ikke skal bruge apparatet i en længere periode, skal det opbevares forsigtigt.
- Sørg for, at apparatet ikke er tilsluttet, er kølet helt ned og tørt.
- Opbevar apparatet på et køligt, tørt sted.
- Hold apparatet ude af børns rækkevidde.

5.4 Håndtering og transport

- Under håndtering og transport skal apparatet bæres i den originale emballage. Apparatets emballage beskytter det mod fysiske skader.
- Placer ikke tunge ting på apparatet eller emballagen. Apparatet kan blive beskadiget.
- Hvis apparatet tabes, vil det miste funktionsevne eller lide permanent skade.

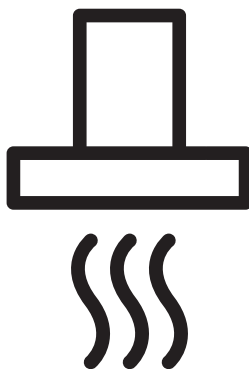
6 Fejlfinding

Fejlfinding	Årsag	Hjælp
Produktet virker ikke:	Kontroller sikringen.	Din sikring er muligvis lukket, så få den til at fungere.
Produktet virker ikke:	Kontroller tilstanden af de elektriske forbindelser	Netspændingen skal være mellem 220-240 V.
Produktet virker ikke:	Kontroller tilstanden af de elektriske forbindelser	Kontroller, om de andre produkter i dit køkken fungerer eller ej.
Belysningslampen fungerer ikke.	Kontroller tilstanden af de elektriske forbindelser	Netspændingen skal være mellem 220-240 V.
Belysningslampen fungerer ikke.	Kontroller lampekontakten.	[Lampekontakten skal være i tændt position.
Belysningslampen fungerer ikke.	Kontroller lamper.	Produktets lamper bør ikke være defekte.
Produktets luftindtag er dårligt.	Kontroller aluminiumsfilteret	Aluminiumsoliefilteret skal vaskes en gang om måneden under normale forhold.
Produktets luftindtag er dårligt.	Check røggasstudsens.	[Lampekontakten skal være i "tændt" position.
Produktets luftindtag er dårligt.	Kontroller kulfilteret.	På produkter med kulfiltre skal filteret normalt skiftes hver 3. måned.



Вытяжка

Руководство пользователя



CTB 6250 X
CTB 6250 B
CTB 6250 W
CTB 6250 XH

CTB 9250 X
CTB 9250 XH

RU



01M-8842103200-4522-19
01M-8842113200-4522-19
01M-8842123200-4522-19
01M-8844773200-4522-19

01M-8842043200-4522-19
01M-8844763200-4522-19

Ознакомьтесь с этим руководством перед началом эксплуатации!

Уважаемый покупатель!

Благодарим Вас за выбор этого изделия компании Веко. Мы надеемся, что продукция, изготовленная на современном оборудовании и имеющая высокий уровень качества, будет служить вам наилучшим образом. Для этого, перед началом эксплуатации, внимательно прочтите данное руководство и все прочие сопроводительные документы, и используйте их в дальнейшем в справочных целях. При передаче устройства другому лицу необходимо также передать это руководство. Соблюдайте указания, которые даны в этом руководстве пользователя, и обращайтесь особое внимание на справочные пометки и предупреждения.

Имейте в виду, что данное руководство пользователя может также относиться к другим моделям. Различия между моделями четко описаны в руководстве.

Условные обозначения

В разных разделах данного руководстве пользователя используются следующие символы:



Важная информация и полезные советы относительно эксплуатации.



ВНИМАНИЕ: Предупреждения об опасности травмирования или повреждения имущества.



Предупреждение об опасности возникновения пожара.



Предупреждение об опасности поражения электрическим током.



Класс защиты от поражения электрическим током.



1.1. Общие правила техники безопасности

Важные инструкции по технике безопасности: **в н и м а т е л ь н о** ознакомьтесь и сохраните для дальнейшего использования. В этом разделе содержатся правила техники безопасности, соблюдение которых позволит исключить риск возникновения пожара, поражения электрическим током, воздействия утечек микроволнового излучения, получения иных травм или причинения материального ущерба. При несоблюдении этих правил все гарантийные обязательства аннулируются.

• Изделия торговой марки Веко соответствуют действующим стандартам безопасности. В случае повреж-

дения электроприбора или шнура питания, во избежание опасных ситуаций, ремонт или замена должны производиться дилером, сервисным центром, специалистом или авторизованной службой. Неправильно или непрофессионально выполненные ремонтные работы могут привести к опасным для пользователя ситуациям.

- Этот прибор предназначен только для бытового и сходного с ним применения, а именно:
 - в кухонных зонах для персонала в магазинах, офисах и других рабочих помещениях;
 - на фермах;
 - в номерах гостиниц, мотелей и т. п.;
 - в помещениях, предоставляемых для проживания на условиях

1 Важные инструкции по технике безопасности и защите окружающей среды

полупансиона.

- Используйте данный электроприбор только по его прямому назначению, как описано в данном руководстве.
- Производитель не несет ответственности за любые повреждения, возникшие в результате неправильного использования или неправильной установки изделия.
- Дети старше 8 лет, а также лица с ограниченными физическими, сенсорными и умственными способностями или без соответствующих навыков и опыта могут использовать данный прибор только под присмотром или после получения инструкций по поводу безопасного использования прибора и осознания связанных с этим опасностей.
- Не позволяйте детям играть с прибором. Не позволяйте детям самостоятельно выполнять очистку и обслуживание прибора.
- Минимальное расстояние между опорной поверхностью емкостей для приготовления пищи на варочной панели и самой нижней частью изделия должно быть не менее 65 см.
- Если в инструкции по установке газовой плиты указано большее расстояние, это следует принять во внимание.
- Напряжение сети питания должно соответствовать номинальным характеристикам, указанным на паспортной табличке электроприбора.
- Ни в коем случае не пользуйтесь электроприбором, если шнур питания или электро-

1 Важные инструкции по технике безопасности и защите окружающей среды

прибор повреждены.

- Во избежание повреждения шнура питания не допускайте его сдавливания, перегиба или контакта с острыми кромками. Не допускайте соприкосновения шнура питания с горячими поверхностями или открытым пламенем.

- Включайте прибор только в розетку с заземляющим контактом.

ВНИМАНИЕ: Не подключайте прибор к электросети до полного завершения работ по установке.

- Электроприбор следует располагать таким образом, чтобы штепсельная вилка была легкодоступна.
- Не прикасайтесь к лампам, если они работали в течение длительного времени. Это может вызвать ожог рук, по-

скольку лампы очень горячие.

- Следуйте инструкциям, установленным компетентными органами относительно выпуска отработанного воздуха (данное предупреждение касается вентиляционных труб).
- Включите прибор после того, как поставите кастрюлю, сковороду и т. д. на варочную панель. В противном случае высокая температура может привести к деформации некоторых частей изделия.
- Отключайте варочную панель перед тем, как убрать с нее кастрюлю, сковороду и т.д.
- Не оставляйте горячее масло на варочной панели. Сковорода с горячим маслом может стать причиной самовозгорания.

- Следите за шторами и занавесками, поскольку при приготовлении таких блюд, как картофель фри масло может загореться.
- Замену жируоулавливателя следует осуществлять, как минимум, раз в месяц. Замену угольного фильтра осуществлять, как минимум, раз в 3 месяца.
- Чистку изделия необходимо выполнять в соответствии с инструкциями руководства пользователя. Если чистка изделия не осуществляется в соответствии с указаниями руководства пользователя, существует риск возникновения пожара.
- Не используйте неогнеупорные фильтрующие материалы вместо текущего фильтра.
- Используйте только оригинальные детали или же рекомендованные производителем детали.
- Не эксплуатируйте изделие без фильтра и не снимайте фильтры во время работы изделия.
- В случае возникновения пожара, отключите питание изделия и кухонной плиты.
- В случае возникновения пожара, накройте источник огня. Применение воды для тушения не допускается.
- Отключайте прибор от электросети перед чисткой, а также когда он не используется.
- Отрицательное давление окружающей среды не должно превышать 4 Па (4 x 10 бар) во время одновременной работы вытяжки для электрической варочной панели и приборов, работающих от другого источника энергии.

1 Важные инструкции по технике безопасности и защите окружающей среды

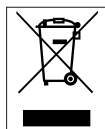
- В среде, где используется прибор, выхлопные газы устройств, работающих на жидком топливе или газе, таких как комнатный обогреватель, должны быть полностью изолированы, или должны быть герметичными.
 - При подсоединении к вытяжной трубе, используйте трубы диаметром 120 или 150 мм. Соединения труб должны быть как можно более короткими и иметь минимальное количество колен.
 - Существует опасность удушья! Храните упаковочные материалы в недоступном для детей месте.
- О С Т О Р О Ж Н О :** Доступные детали прибора могут нагреваться во время использования кухонных плит.
- Выход вытяжки нельзя подключать в воздухо-
- водам, которые заняты отводом других отработанных воздушных масс.
- Вентиляция в помещении может быть недостаточной в случае, если вытяжка для электрической варочной панели используется одновременно с устройствами, работающими на газе или других видах топлива (это не относится к приборам, которые только выпускают воздух обратно в помещение).
 - Находящиеся на изделии предметы могут упасть. Не следует класть посторонние предметы на вытяжку.
 - Фламбирование блюд под изделием не допускается.
- ВНИМАНИЕ:** Перед началом работ по установке вытяжки удалите защитную пленку.

1 Важные инструкции по технике безопасности и защите окружающей среды

- Никогда не оставляйте открытым высокое пламя под работающей вытяжкой.
- Во время использования фритюрниц их необходимо держать под постоянным присмотром: сильно нагретое масло может загореться.

1.2 Соответствие Директиве по утилизации отходов электрического и электронного оборудования и утилизация продукта:

Данное изделие соответствует требованиям Директивы по утилизации отходов электрического и электронного оборудования (2012/19/ЕС). На изделие нанесено условное обозначение для отходов электрического и электронного оборудования (WEEE).



Этот символ означает, что по истечении срока службы данного прибора, он не должен утилизироваться вместе с другими бытовыми отходами. Бывшее в употреблении устройство необходимо сдать в официальный пункт сбора для утилизации электрического и электронного оборудования. Для получения информации о таких пунктах сбора, пожалуйста, свяжитесь с местными органами власти или розничной торговли, по месту покупки настоящего прибора. В во-

просах восстановления и утилизации бывших в употреблении приборов каждый конкретный владелец играет важную роль. Надлежащая утилизация использованного бывшего в употреблении прибора помогает предотвратить потенциальные негативные последствия для окружающей среды и здоровья человека.

1.3 Соответствие Директиве ЕС об ограничении содержания вредных веществ (RoHS):

Приобретенное вами изделие соответствует Директиве ЕС о правилах ограничения содержания вредных веществ (2011/65/EU). Оно не содержит вредных и запрещенных материалов, указанных в Директиве.

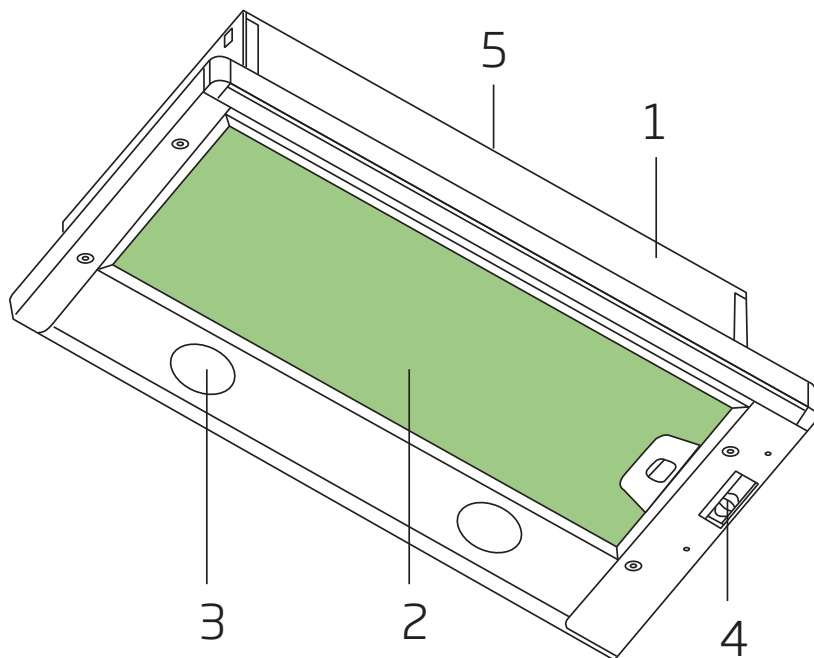
1.4 Информация об упаковке



Упаковка прибора изготовлена из вторичного сырья, в соответствии с нашими государственными законами об охране окружающей среды. Не выбрасывайте упаковочные материалы вместе с бытовыми или другими отходами. Отнесите их в пункты приема упаковочных материалов, утвержденные местными органами власти.

2 Общие сведения Внешний вид

2.1 Обзор



1. Основной корпус
2. Алюминиевый жироулавливающий фильтр
3. Освещение
4. Панель управления
5. Дымоход

2.2 Технические данные

Модель	СТВ 6250 X СТВ 6250 В СТВ 6250 W СТВ 6250 ХН	СТВ 9250 X СТВ 9250 ХН
Напряжение электропитания	220-240В 50 Гц	
Мощность лампы	2x4 Вт	
Мощность двигателя	1 x 140 Вт	
Расход воздуха – 3. Уровень	420 м³/ч	
Класс изоляции	КЛАСС II	

3 Эксплуатация прибора

3.1 Панель управления

	
L: Освещение	Включает и выключает осветительное оборудование
M: Мотор	Включает и выключает мотор всасывания.
V: Скорость	Регулирует рабочую скорость: 1. Минимальная скорость - пригодна для непрерывной смены воздуха при наличии малого количества пара от готовки; отличается бесшумностью работы. 2. Средняя скорость - пригодна для наибольшей части условий эксплуатации благодаря отличному соотношению двух показателей: пропускная способность обработанного воздуха и уровень шума. 3. Максимальная скорость - пригодна для обработки наибольших испарений от готовки даже в течение длительного времени.

- Вытяжка была разработана исключительно для домашнего использования, чтобы устранить запах из кухни.
- Никогда не используйте вытяжку в целях, для которых она не предназначена.
- Когда вытяжка работает, не используйте под ней высокий открытый огонь.
- Отрегулируйте интенсивность пламени, чтобы направить его только на дно сковороды, следя за тем, чтобы он не охватывал стороны.
- Во время использования фритюрницы следует постоянно проверять: перегретое масло может загореться.

3.2 Энергоэффективное использование

- При использовании вытяжки для экономии электроэнергии устанавливайте скорость в соответствии с интенсивностью образования пара или запаха.
- В обычных условиях используйте низкие скорости (1-2), а при интенсивном образовании пара и запаха – высокую (3).
- Лампы на вытяжке предназначены для освещения места готовки.
- Их использование для освещения помещения приведет к чрезмерному потреблению электроэнергии и будет недостаточным.
- Чтобы устройство потребляло меньше энергии, запустите его на низкой скорости.
- Ваше устройство снизит энергопотребление, так как оно будет работать более эффективно, когда вы обеспечите достаточный забор воздуха.
- Установите устройство на интенсивный уровень мощности всасывания перед образованием пара в тех случаях, когда вы знаете, что будет плотный пар. Таким образом, вы уменьшаете энергопотребление, используя свое устройство в течение более короткого времени, поскольку оно будет иметь

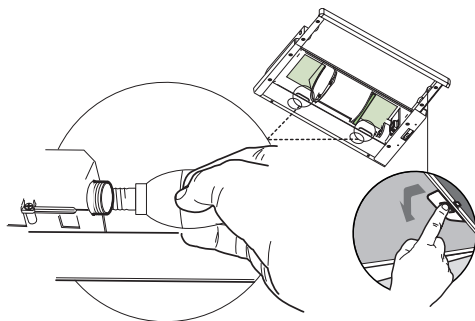
3 Эксплуатация прибора

достаточно эффективный воздухо-заборник.

- Держите крышки посуды закрытыми, чтобы уменьшить выделение пара.

3.3 Эксплуатация вытяжки

- В вытяжке имеется мотор, работающий на разных скоростях.
- Для лучшей производительности мы рекомендуем использовать низкие скорости в нормальных условиях и высокие скорости в случае сильного запаха и интенсивного пара.
- Вы можете запустить прибор, нажав кнопку желаемой скорости. (V1, V1, V3)
- Вы можете осветить зону приготовления, нажав на лампу (L).



3.5 Замена ламп



- Перед заменой лампочек отсоедините вытяжку от электросети.
- Не прикасайтесь к лампам, когда они горячие.
- Будьте осторожны, чтобы не дотронуться до лампочки руками.

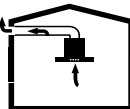


Вы можете приобрести лампы у авторизованных сервисных дилеров.

Лампочка	
Мощность лампочки	4 W
Держатель / Гнездо	E14
Напряжение лампочки	220 - 240 V
Код ILCOS	DRBB/F-4-220-240-E14-35/100
Размер	35x100 mm
Световой поток	400 lm
Коррелированная цветовая температура	3000 K

Этот продукт содержит источник света класса энергоэффективности «F».

3.6 Работа с подключением к дымоходу

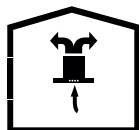
-  Пар выводится через дымоход, который крепится к соединительной головке вытяжки.
- Диаметр дымохода должен быть таким же, как у соединительного кольца. В горизонтальном положе-

3 Эксплуатация прибора

нии труба должна иметь небольшой наклон вверх (около 10°), чтобы воздух мог легко выходить из комнаты.

3.7 Работа без подключения к дымоходу

•



Воздух фильтруется через угольный фильтр и рециркулирует в помещении. Угольный фильтр применяется,

когда в доме нельзя использовать дымоход.

• При использовании без дымохода снимите заслонки внутри переходника дымохода.

• Снимите алюминиевый жировой фильтр. Чтобы установить угольный фильтр, прикрепите фильтр к выступам, центрируя его на пластиковом элементе с обеих сторон корпуса вентилятора. Затяните, повернув вправо или влево.

• Заменить алюминиевый жировой фильтр.

4 Чистка и уход

Устройство следует регулярно чистить и обслуживать. Неподдержание устройства в чистоте отрицательно повлияет на срок службы устройства. Для очистки и технического обслуживания следуйте инструкциям, изложенным в руководстве.



Отключите устройство от сети или выключите соединения перед чисткой и техническим обслуживанием.



Несоблюдение положений, связанных с очисткой устройства и заменой фильтров, может привести к риску возгорания. Поэтому рекомендуется следовать приведенным здесь рекомендациям. Производитель не несет ответственности за повреждения двигателя или возгорания, возникшие в результате неправильного использования.

Протрите только ткань, смоченной нейтральным жидким моющим средством. Не чистите с помощью инструментов. Не используйте абразивные чистящие средства. Не используйте спирт.

4.1 Чистка алюминиевого жирособирающего фильтра

Этот фильтр улавливает частицы масла в воздухе. Рекомендуется чистить фильтр каждый месяц при нормальных условиях использования. Для этого, сначала удалите жирособирающие фильтры. Вымойте фильтры с жидким моющим средством и промойте их водой и установите их после того, как они высохнут. Алюминиевые жирособирающие фильтры могут обесцвечиваться при чистке; это нормальное явление, и вам не нужно менять фильтр.

4 Чистка и уход



Вы также можете мыть алюминиевый жировой фильтр в посудомоечной машине.

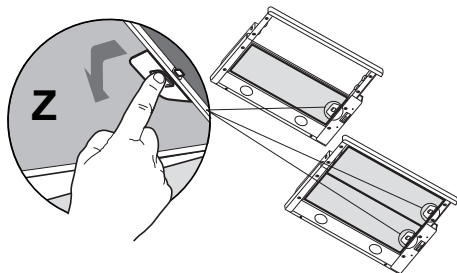


ВНИМАНИЕ: В случае нормальной эксплуатации очищайте алюминиевый жировой фильтр один раз в месяц.



ВНИМАНИЕ

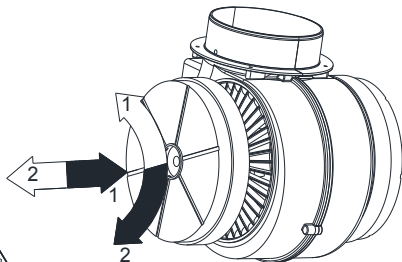
- Запрещено мыть угольные фильтры.
- Заменяйте угольные фильтры каждые 3 месяца.
- Вы можете приобрести угольный фильтр в авторизованных сервисах.



4.2 Замена угольного фильтра (Режим циркуляции воздуха)

Вытяжка может быть оснащена фильтром с активированным углем. Угольный фильтр применяется только в том случае, если вытяжка не подключена к вентиляционному каналу.

When replacing the carbon filter pay attention to the type of used turbine.



Symbol  Filter installation
Symbol  Filter dismantling

5 Установка прибора



ПРЕДУПРЕЖДЕНИЕ:

Перед началом установки прочтите информацию по безопасности в Руководстве пользователя.



ПРЕДУПРЕЖДЕНИЕ:

Несоблюдение инструкций по установке с помощью винтов и стабилизаторов может привести к поражению электрическим током.

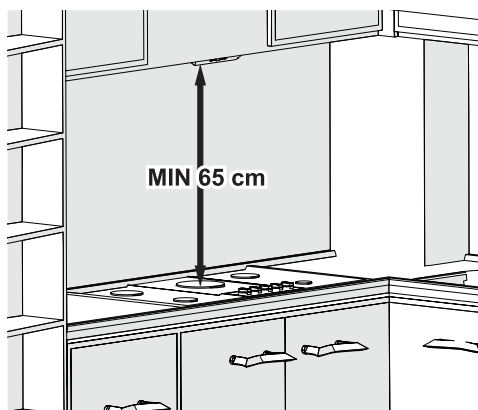


Обратитесь к странице 266 для руководства по установке

По вопросам установки вытяжки обращайтесь в ближайший авторизованный сервисный центр.

Заказчик несет ответственность за подготовку места и электрического монтажа вытяжки.

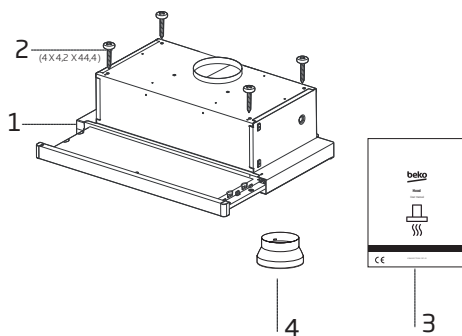
5.1 Положение изделия



- Перед сборкой необходимо учитывать расстояние между плитой и вытяжкой. Это расстояние должно составлять 65 см.

- Расстояние необходимо измерять от поверхности решетки для газовых плит,
- от поверхности стекла для электрических плит.

5.2 Принадлежности для установки



1. Вытяжка
2. 4 X 4,2 X 44,4 винты
3. Руководство по эксплуатации
4. Пластиковый переходник дымохода Ø120 / 150 мм - 1 шт.

5.3 Хранение

- Если вы не планируете использовать электроприбор в течение длительного времени, то его следует хранить надлежащим образом.
- Убедитесь, что электроприбор отключен от электросети, остыл, а его поверхности полностью сухие.
- Хранить прибор следует в сухом прохладном месте.
- Храните устройство в недоступном для детей месте.

5 Установка прибора

5.4 Обращение и транспортировка

- Во время обработки и транспортировки переносите прибор в оригинальной упаковке.
- Упаковка устройства защищает его от физических повреждений.
- Не кладите тяжелые грузы на прибор или упаковку. Возможно повреждение прибора.

6 Устранение неисправностей

Устранение неисправностей	Причина	Решение
Изделие не работает.	Проверить предохранитель.	Предохранитель может быть отключен, включите его.
Изделие не работает.	Проверьте электрическое соединение.	Напряжение в сети должно составлять 220-240 В.
Изделие не работает.	Проверьте электрическое соединение.	Проверьте, работает ли другое оборудование на кухне.
Не горит лампа освещения.	Проверьте электрическое соединение.	Напряжение в сети должно составлять 220-240 В.
Не горит лампа освещения.	Проверьте выключатель лампы.	Выключатель лампы должен находиться в положении «вкл.».
Не горит лампа освещения.	Проверьте лампы.	Лампы изделия должны быть исправны.
Изделие не обеспечивает эффективный забор воздуха.	Проверьте алюминиевый фильтр.	При обычных условиях эксплуатации алюминиевый фильтр необходимо чистить не реже раза в месяц.
Изделие не обеспечивает эффективный забор воздуха.	Проверьте воздушную заслонку вентиляционной трубы.	Заслонка вентиляционной трубы должна находиться в положении «вкл.».
Изделие не обеспечивает эффективный забор воздуха.	Проверьте угольный фильтр.	При обычных условиях эксплуатации в изделиях, оборудованных угольным фильтром, его замену следует производить каждые 3 месяца.

- если изделие, предназначенное для личных (бытовых, семейных) нужд, использовалось для осуществления предпринимательской деятельности, а также в иных целях, не соответствующих его прямому назначению;
 - в случае нарушения правил и условий эксплуатации, установки изделия, изложенных в инструкции по эксплуатации и инструкции по установке;
 - если изделие имеет следы попытки неквалифицированного ремонта;
 - если дефект вызван изменением конструкции или схемы изделия, не предусмотренные изготовителем;
 - если дефект вызван действием непреодолимых сил, несчастными случаями, умышленными или неосторожными действиями потребителя или третьих лиц;
 - если обнаружены повреждения, вызванные попаданием внутрь изделия посторонних предметов, веществ, жидкостей, насекомых;
 - использование неоригинальных расходных материалов автоматически лишает Вас гарантии изготовителя.
5. Гарантийные обязательства и бесплатное сервисное обслуживание не распространяются на следующие недостатки изделия:
- механические повреждения, возникшие после передачи товара потребителю;
 - повреждения, вызванные несоответствием стандартам параметров питающих, телекоммуникационных, кабельных сетей и других подобных внешних факторов;
 - повреждения, вызванные использованием нестандартных и (или) некачественных расходных материалов, принадлежностей, запасных частей.
6. В случае несовершеного (стусия больше чем один месяц) извещения о выявленных недостатках изделия, изготовитель оставляет за собой право отказать полностью или частично от удовлетворения предъявляемых требований (ст. 436 ГК РК).

НАЗАР АУДАРЫҢЫЗДАР!

Үш контактілі желілік айыры бар бұйым, міндетті түрде, жерге тұйықталуы тиіс. **ВНИМАНИЕ!** Изделие, имеющее трехконтактную сетевую вилку, обязательно должно быть заземлено.

Қазақстан Республикасы аумағында өрекет етеді. Действует на территории Республики Казахстан.

Покупатель _____ Фамилия, Имя, Отчество	Покупатель _____ Фамилия, Имя, Отчество	Покупатель _____ Фамилия, Имя, Отчество
Адрес _____	Адрес _____	Адрес _____
Тел. _____	Тел. _____	Тел. _____
Дата ремонта _____	Дата ремонта _____	Дата ремонта _____
Серв. центр _____	Серв. центр _____	Серв. центр _____
Мастер _____	Мастер _____	Мастер _____
Фамилия, Имя, Отчество	Фамилия, Имя, Отчество	Фамилия, Имя, Отчество

Дата	Характер неисправности	Принятые меры

М.П. _____ Подпись ответственного лица _____



Қазақстан Республикасы аумағында өрекет етеді
Действует на территории Республики Казахстан

<http://www.beiko.ru>

Адрес: 109004, Россия, Москва, ул. Станиславского д.21, стр.1
Телефоны горячей линии **8-800-200-23-56**
(Звонок бесплатен на всей территории Республики Казахстан)

Гарантийный талон № _____

Модель _____	Серийный номер _____
Дата продажи _____	Дата установки _____
Компания _____	Компания _____
Подпись продавца _____	Подпись мастера _____
ПЕЧАТЬ	ПЕЧАТЬ

Покупатель _____ **Телефон** _____
Фамилия, Имя, Отчество

Изделие проверилось в присутствии покупателя, покупатель с условиями гарантии ознакомлен. Претензий к внешнему виду и комплектации не имею _____
Подпись Покупателя

! **Отрывные купоны гарантийного талона являются средством отчетности о выполнении сервисным центром гарантийных работ. Купон изымается из гарантийного талона после удовлетворения Ваших претензий.**

beiko	beiko	beiko
серия № _____	серия № _____	серия № _____
Дата продажи _____	Дата продажи _____	Дата продажи _____
ПЕЧАТЬ МАГАЗИНА	ПЕЧАТЬ МАГАЗИНА	ПЕЧАТЬ МАГАЗИНА

Құрметті Сатып алушы!

БЕКО сауда маркасының бұйымның тағдағаныңыз үшін алғыс білдіреміз.

БЕКО тіршілік техникаға тұтынушы тасыған күннен бастап 10 (он) жыл ресми қызмет көрсету мерзімін бөлігеді. Өзге тұрмыстық техникаға, теледидарларға, аудио-видео және радио аппаратураларға, тұрмыста қолдануға арналған кондиционерлерге пайдалану жөніндегі нұсқау-аппараттардан жағдайда, 5 (бес) жыл ресми қызмет көрсету мерзімін бөлігеді. БЕКО өнімдерінің жағары сапасын, беріктігі мен құрапсіздік дәрежесін ескерсек, өнімнің қызмет мерзімі ресми пайдалану мерзімінен әбден уағрады. Белгілі бір мемлекетке сатуға арналған БЕКО өнім сол мемлекеттің пайдалану жөніндегі талаптарына негізделіп отырып жасалған. Соның қаз жетісу үшін бұйым мен бұйымның орнандығы ресми белгілердің сәйкестігін тексеруіңізді сұраймыз. Егер қандай да бір сұрақтар туындайтын болса, Олдан міндетті түрде БЕКО қызмет көрсету орталығына хабарлауыңызды сұраймыз. Қызмет көрсету орталығының мекенжайы мен телефон нөмірлерін келіптіңіз талғонына берілген қошымдадан көре аласыз (Қазақстан Республикасы аумағында телефон соғу тегін). Соы келіптіңіз талғонымен БЕКО өзге де бұйымға кемшіліктер анықталған жағдайда, тұтынушының құқығын қорғау бойынша заңмен өрекет етілетін тұтынушы талаптарын қанағаттандыру бойынша өзін міндеттемелерді қабылдауын растайды. Алайда, БЕКО компаниясы тұтынушы төменде аталған талаптарды орындамаған жағдайда келіптіңізден, соңдай-ақ бұйымға тегін қызмет көрсетумен де тарту құқығын өзіне қалдырады. Келіптіңіз міндеттемелер мен тегін қызмет көрсету талаптары Тұтынушылардың құқықтарын қорғау жөніндегі заңнама аясында өрекет етеді.

Келіптіңіз міндеттемелер мен тегін қызмет көрсету талаптары:

1. Өндірушінің, келіптіңіз талаптары мен уәкілі етілген қызмет көрсету орталықтары ұсынатын тегін қызмет көрсету тек қана БЕКО моделдеріне сәйкел алу және жүзеге асыру үшін КР елінің аумағына және КР мемлекетінің Мемлекеттік Стандартына сәйкес сертифицициялаудан өткен мамлекеттерге таратылады.
2. Өндіруші БЕКО өнімдеріне төмендеп келтілдік мерзімін бөлігеді: тіршілік техника: тұтынушыға тасыған күннен бастап - 2 (екі) жыл, Өзге тұрмыстық техникаға, теледидарларға, аудио-видео және радио аппаратураларға, тұрмыста қолдануға арналған кондиционерлерге тұтынушыға тасыған күннен бастап - 1 (бір) жыл.
3. Егер бұйымның құрал-жабдықтары оның құрылысынан алынуы және бұйымды бөлшектеуге байланысты болмаса, төмендегі құрал-жабдықтарға келіптіңіз міндеттемелер таратылмайды.

Бұйымның барлық түрлері үшін:

- а) қышқан басқару пульттеріне, аккумуляторлы батареяларға, қоректендіу элементтеріне (батареяларға), қоректендіу блоктарының сыртқы бөлшектеріне және қуат бергіш құрылымына;
- б) жалғыз кабельдерге, антенналарға және оларға арналған еткізгіштерге, құлаққаптарға, микрофондарға;
- в) бұйыммен бірге берілетін қалпақтар, бөлімдерге, тасымалдауға арналған ширүлдер, монтажды құрылыстарға, аспаптарға, құжаттарға;

Төмендегілерді қоса алғанда:

- а) Төңкерішкішарға: иіс сорғыштарға, ауа тазартқыштарға (биодеозораторларға), сүзгілерге;
- б) Қысқа тоқпанды пештерге, табықшаларға, омақ ет қықпайтын ісіктерге, торларға, табықшаларға;
- в) Шаш сорғыштарға, түпкістерге, шлангтерге, шөкшаларға, қондырғыларға, шаң жинағыштарға, сүзгілерге;
4. Кондиционерлерге, ауа тазартқыштарға, сүзгілерге;
4. Өндіруші мынадай жағдайларда бұйымға келіптіңіз бермейді, және тегін қызмет көрсетпейді: і) еке мұқтаждық үшін қажет болған бұйым (тұрмыстық отбасылық), өндірістік қызметтеді іске асыру үшін және оның негізгі апаратынан қызметіне сәйкес келмейтін басқа да мақсаттарда қолданған жағдайда;
- б) пайдалану өрежелері мен талаптарын, пайдалану жөніндегі нұсқаулықта және бұйымды орнату жөніндегі нұсқаулықта жазылған талаптарды бұзған жағдайда;
- в) Егер бұйымға рұқсат етілмеген жөндеу жұмыстарының ізі анықталса;
- г) бұйымның құрылысы мен сымсанында рұқсат етілмеген өзгерістер орын алса;
- д) Егер ақау өсеріліміс қиышті іс-өрекет, және жағдайлармен, тұтынушының немесе үшінші тұлғаның қасақана немесе абабасы іс-өрекетінің арқасында орын алса;
- е) Бұйымның ішіне басқа бір заттардың, сұйықтықтардың, шыбын-шіркейлердің түсіп кетуінен пайда болған зақымданулар табылса;
- ж) Тұтынушы болып саналмайтын шығын материалдарын қолдану Олдан автоматты түрде Өндіруші келіптіңізнен алырады.

5. Төмендегі жағдайларда бұйымға келіптіңіз міндеттемелер таратылмайды және тегін сервістік қызмет көрсетілмейді:

- а) Бұйымды тұтынушы тасығаннан кейін пайда болған механикалық зақымдар;
- б) Қуат және телекоммуникациялық, кабельдік желілер параметрлерінің дұрыс жұмыс істеуі үшін (немесе) стандарттарға сәйкес келмейді) және осы сияқты өзге де сыртқы факторлардың салдарынан пайда болған бұзылулар;
- в) Стандарттарға сай келмейтін және (немесе) сапасыз шығыс материалдары, жабдықтар, қосалқы бөлшектер, қуат көзі элементтері, ақпаратты тасымалдаушылар қолданудан пайда болған бұзылулар;
6. Тұтынушы орын алған кемшіліктер жөнінде уақытлы (бір айда) нестам уақыт өткен жағдайда) хабарламаған жағдайда. Өндіруші Тұтынушының талаптарын толық немесе ішінара қанағаттандырмауға құқылы (ҚР АҚ 436-баббы).

Уважаемый Покупатель!

БЕКО ұстанадыларға ресми БЕКО маркасының сауда маркасы.

БЕКО ұстанадыларға ресми БЕКО маркасының сауда маркасы, 10 (десет) лет со дня передачи потребителю. На продукцию бытовой техники, телевизоров, аудио-видео и радио аппаратуры, кондиционеров, предназначенные для использования в быту, устанавливается срок службы 5 (пять) лет, при условии соблюдения правил эксплуатации. Учитывая высокие качество, надежность и степень безопасности продукции БЕКО фактически срок эксплуатации может значительно превышать официальный. Вся продукция, предназначенная БЕКО для поставок в определенную страну, изготовлена с учетом условий эксплуатации этой страны. Чтобы убедиться в этом, просим Вас проверить наличие на изделии и упаковке официальных знаков соответствия. Если Вы обнаружили какие-либо проблемы, настоятельно рекомендуем Вам обратиться в уполномоченные сервисные центры БЕКО, адреса и телефоны которых Вы можете узнать из приложения к гарантийному талону. Данный гарантийный талон (взнос подтверждает принятие на себя обязательств по удовлетворению требований потребителя, в случае обнаружения недостатков изделия. Однако БЕКО оставляет за собой право отказать как в гарантийном, так и бесплатном сервисном обслуживании изделия в случае несоблюдения изложенных ниже условий. Все условия гарантийных обязательств и бесплатного сервисного обслуживания действуют в рамках законодательства о защите прав потребителей.

Условия гарантийных обязательств и бесплатного сервисного обслуживания:

1. Гарантийные обязательства. Изготовитель и бесплатный сервисный обслуживающие, предоставляют также уполномоченными сервисными центрами, Исполнителя, распространяются только на модели, предназначенные БЕКО для поставок и реализации на территории РК, приобретенные на территории РК и прошедшие сертификацию на соответствие ГОСТам РК.
2. Изготовитель устанавливает следующие гарантийные сроки на изделия БЕКО: Крупная бытовая техника: 2 (два) года со дня передачи потребителю. Прочая бытовая техника, телевизоры, аудио-видео радио аппаратура, кондиционеры, преднаданные для использования в быту – 1 (один) год со дня передачи потребителю.
3. Гарантийные обязательства не распространяются на перечисленные ниже принадлежности изделия, если их замена предусмотрена конструкцией и не связана с разборкой изделия.

Для нас виды обслуживания:

- а) на тулытыңыз диспетчерского управления, аккумуляторные батареи, элементы питания (батарея), внешние блоки питания и зарядные устройства;
- б) сервисные работы, аннелены и сервисные для них, наушники, микрофоны;
- в) чехлы, ремни, шнурки для переноски, монтажные приспособления, инструмент, документация, цено, прилагаемую к изделию.

Дополнительно для:

- а) холодильники, на поглотители запахов, очистители воздуха (биодеозораторы), фильтры;
- б) микроволновых печей: на тарелки, вертела, решетки, блюда;
- г) стиральных машин: на шланги, трубки, щетки, насадки, пылесборники, фильтры;
- д) кондиционеров, воздухоочистителей, фильтров;
4. Изготовитель не несет гарантийные обязательства и не производит бесплатное сервисное обслуживание изделия в случаях:

Производитель: "Arçelik A.S."

Karaağaç Caddesi No: 2-6 Söğütözü, 34445, Турция

Сделано в Китае

Импортер на территории РФ: ООО «БЕКО»

Юридический адрес: 601021 Россия, Владимирская обл., Киржачский р-н, дер. Федоровское, ул. Сельская, д. 49

Дата производства включена в серийный номер продукта, указанный на этикетке, расположенной на продукте, а именно:

первые две цифры серийного номера обозначают год производства, а последние две – месяц.

Например, «10-100001-05» обозначает, что продукт произведен в мае 2010 года.

Pirmiausia perskaitykite šią naudojimo instrukciją!

Brangus kliente,

Dėkojame, kad pasirinkote šį “Beko” prietaisą. Tikimės, kad šiuo prietaisu, kuris buvo pagamintas naudojant aukščiausios kokybės moderniausią technologiją, liksite patenkinti. Dėl to, prieš pradėdami naudoti šį prietaisą, perskaitykite visą šią naudojimo instrukciją bei prie jos pridėdamus dokumentus ir juos pasilikite, jei prireiktų ateityje. Jeigu atiduotumėte šį prietaisą kam nors kitam, kartu atiduokite ir šią naudojimo instrukciją. Laikykitės naudojimo instrukcijoje pateiktų nurodymų, atkreipkite dėmesį į visą informaciją ir įspėjimus.

Atkreipkite dėmesį, kad ši naudojimo instrukcija gali būti taikoma ir kitiems modeliams. Modelių skirtumai yra aiškiai aprašyti šioje instrukcijoje.

Ženklių reikšmės

Įvairiuose šios naudojimo instrukcijos skyriuose naudojami šie simboliai:



Svarbi informacija ir naudingi patarimai, kaip naudoti prietaisą.



ĮSPĖJIMAS: Įspėjimai apie pavojingas situacijas, keliančias pavojų gyvybei ir turtui.



Įspėjimas dėl gaisro pavojaus.



Įspėjimas dėl elektros smūgio.



Elektros smūgio saugos klasė.



1 Svarbios saugos ir aplinkos apsaugos taisyklės

1.1 Bendrieji saugos reikalavimai

Svarbios saugos instrukcijos Atidžiai perskaitykite ir pasilikite ateičiai Šiame skyriuje pateikiama saugos informacija, kuri padės išvengti gaisro, elektros smūgio, mikrobangų krosnelės spinduliuojamos energijos poveikio pavojaus, susižeidimų ar materialinės žalos. Jei nesilaikysite šių instrukcijų, nebebus taikoma garantija.

- „Beko“ gaminiai atitinka galiojančius saugos standartus, todėl, jeigu prietaisas arba jo maitinimo laidas būtų pažeistas, jį privalo paleisti platintojas, aptarnavimo centras ar specialistas arba bet kuris kitas įgaliotasis atstovas, kad būtų išvengta bet kokių pavojų. Klaidingi arba netinkami remonto darbai gali kelti pavojų ir riziką vartotojui.
- Šis įrenginys yra skirtas naudoti buitiniams ir panašiams tikslams, pvz.:
 - darbuotojų valgomuosiuose, pavyzdžiui, parduotuvėse, biuruose ir kitoje darbo ap-

linkoje;

- ūkininkų gyvenamuosiuose namuose;
- klientams viešbučiuose ir kitoje gyvenamojo aplinkoje;
- viešbučiuose, kuriose siūloma nakvynė su pusryčiais.
- Prietaisą naudokite tik pagal paskirtį, aprašytą šiose naudojimo instrukcijose.
- Gamintojas neatsako už žalą, patirtą dėl netinkamo gaminio įrengimo ar naudojimo.
- Šį prietaisą leidžiama naudoti vaikams nuo 8 metų amžiaus ir asmenims, turintiems fizinį, jutimo ar psichinį negalią, arba neturintiems patirties ir žinių, kaip naudoti šį prietaisą, su sąlyga, kad jie bus prižiūrimi arba išmokyti, kaip saugiai naudoti šį prietaisą, ir supras atitinkamus pavojus.
- Neleiskite vaikams žaisti su šiuo prietaisu. Neprižiūrimi vaikai negali atlikti valymo ir naudotojo atliekamų techninės priežiūros darbų.
- Mažiausias atstumas tarp kait-

1 Svarbios saugos ir aplinkos apsaugos taisyklės

lentės virimo indų atraminio paviršiaus ir žemiausios gaminio dalies turi būti bent 65 cm.

- Jei dujinės kaitlentės montavimo instrukcijose nurodytas didesnis atstumas, reikia į jį atsižvelgti.
- Pasirūpinkite, kad jūsų elektros tinklo duomenys atitiktų prietaiso kategorijos plokštelėje nurodytus duomenis.
- Niekada nenaudokite prietaiso, jeigu šis yra sugadintas arba pažeistas jo maitinimo laidas.
- Saugokite maitinimo laidą, kad jis nebūtų suspaustas, užlenktas arba trinamas į aštrius kraštus. Saugokite maitinimo kabelį nuo įkaitusių paviršių ir atviros ugnies.
- Prietaisąjunkite tik prie įžeminto elektros lizdo.

ĮSPĖJIMAS: Nejunkite prietaiso prie elektros tinklo, kol jis nėra visiškai sumontuotas.

- Prietaisą pastatykite taip, kad elektros kištukas visada būtų pasiekiamas.
- Nelieskite lempučių, jeigu jos ilgai švietė. Jos bus karštos, dėl

to galite nusideginti rankas.

- Laikykitės kompetentingų valdžios institucijų nustatytų taisyklių dėl ištraukiamojo oro išleidimo (šis įspėjimas netaikomas, jeigu prietaisas naudojamas be dūmtraukio).
- Įjunkite prietaisą po to, kai pastatysite ant kaitvietės puodą, keptuvę ir t.t. Priešingu atveju dėl didelio karščio kai kurios jūsų gaminio dalys gali deformuotis.
- Išjunkite kaitvietę prieš nuimdami nuo jos puodą, keptuvę ir t.t.
- Nepalikite ant kaitvietės karšto aliejaus. Keptuvės su karštu aliejumi gali tapti užsidegimo priežastimi.
- Atkreipkite dėmesį į užuolaidas ir uždangalus, nes kepant, pvz., bulvių šiaudelius, aliejus gali užsiliepsnoti.
- Riebalų filtrą reikia keisti bent kartą per mėnesį. Anglies filtrą reikia keisti bent kartą per 3 mėnesius.
- Gaminys turi būti valomas pagal naudojimo instrukciją. Jei valy-

1 Svarbios saugos ir aplinkos apsaugos taisyklės

mas atliktas ne pagal naudojimo instrukciją, gali kilti gaisro pavojus.

- Vietoje dabartinio filtro nenaudokite ugniai neatsparių filtravimo medžiagų.
- Naudokite tik originalias arba gamintojo rekomenduojamas dalis.
- Nenaudokite prietaiso be filtro ir neišimkite filtrų iš veikiančio prietaiso.
- Atsiradus liepsnai, išjunkite gaminį ir maisto gaminimo prietaisus.
- Atsiradus liepsnai, ją uždenkite ir jokiū būdu negesinkite vandeniū.
- Jeigu prietaiso nenaudojate arba prieš jį valydami, atjunkite jį nuo elektros tinklo.
- Patalpoje, kurioje vienu metu veikia virš elektrinės kaitlentės montuojamas garų rinktuvas ir kiti, ne elektra maitinami prietaisai, neigiamas slėgis neturi viršyti 4 Pa (4 x 10 bar).
- Patalpoje, kurioje naudojamas prietaisas, mazutu arba dujomis kūrenamų prietaisų, pvz., šildytuvo, išmetamos dujos privalo

būti visiškai izoliuotos arba tokie prietaisai privalo būti hermetiški.

- Dūmtraukiui prijungti naudokite 120 mm arba 150 mm skersmens vamzdžius. Vamzdžio jungtis turi būti kuo trumpesnė, o alkūnių skaičius – minimalus.

Pavojus uždusti! Visas pakotės dalis laikykite vaikams nepasiekiamoje vietoje.

ATSARGIAI: Naudojant su maisto gaminimo prietaisais, liečiamos prietaiso dalys gali įkaisti.

- Gaminio išleidimo vamzdžio negalima jungti prie ortakių, kuriuose yra kitų dūmų.
- Vienu metu patalpoje naudojant virš elektrinės kaitlentės montuojamą garų rinktuvą ir dujomis arba kitu kuru kūrenamus prietaisus ventiliacija gali būti nepakankama (ši nuostata gali būti netaikoma prietaisams, kurie orą išleidžia tik atgal į patalpą).
- Ant gaminio sudėti daiktai gali nukristi. Nedėkite jokių daiktų ant gaminio.
- Neuždeginėkite po gaminiu.
- **ĮSPĖJIMAS:** Prieš montuodami

1 Svarbios saugos ir aplinkos apsaugos taisyklės

garų rinktuvą, nuimkite apsauginės plėvelės.

- Niekada nepalikite atviros liepsnos po veikiančiu garų rinktuvu.
- Naudojant gruzdintuves, jas reikia nuolat prižiūrėti: per daug įkaitęs aliejus gali užsiliepsnoti.

1.2 Atitiktis EEJA direktyvai ir atitarnavusio gaminio sutvarkymas:

Šis gaminys atitinka ES EEJA direktyvą (2012/19/ES). Šis gaminys žymimas elektros ir elektroninės įrangos atliekų (EEJA) simboliu.



Šis simbolis reiškia, kad, kai produktas tampa nebenaudojamas, jo negalima šalinti kartu su kitomis buitinėmis atliekomis. Panaudotą prietaisą būtina pristatyti į elektros ir elektroninių prietaisų surinkimo ir perdirbimo punktą. Norėdami sužinoti, apie surinkimo ir perdirbimo punktus - susisiekite su vietos institucijomis arba pardavėju. Kiekvienas atliekame svarbų vaidmenį saugodami gamtą ir perdirbdami senus buitinius prietaisus. Atitinkamas panaudotų buitinių prietaisų šalinimas padeda išvengti neigiamos žalos gamtai ir žmogaus sveikatai.

1.3 Atitiktis RoHS direktyvai

Jūsų įsigytas gaminys atitinka ES RoHS direktyvą (2011/65/ES). Jame nėra direktyvoje nurodytų kenksmingų ar draudžiamų medžiagų.

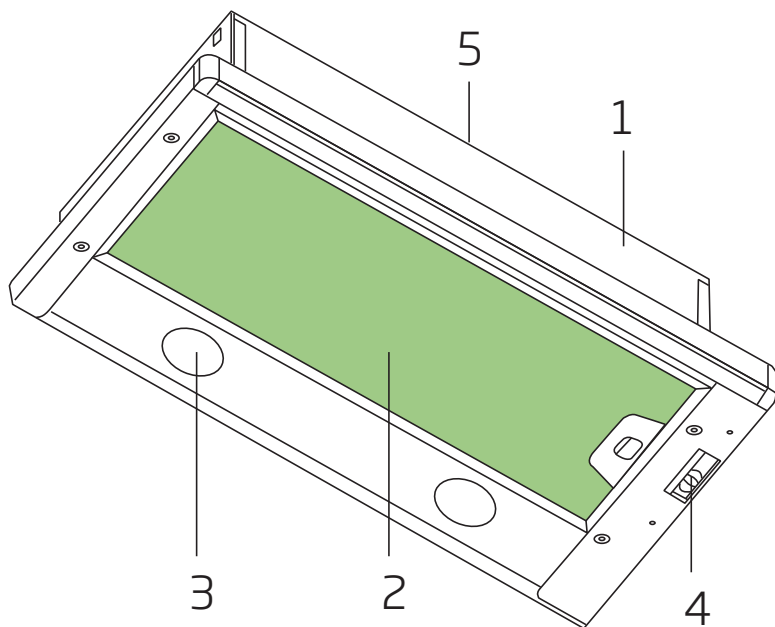
1.4 Informacija apie pakuotę



Šio gaminio pakavimo medžiagos pagamintos iš pakartotinai panaudojamų medžiagų, atsižvelgiant į mūsų nacionalinius aplinkosaugos reglamentus. Neišmeskite pakavimo medžiagų kartu su buitinėmis atliekomis arba kitomis šiukšlėmis. Jas atiduokite į vietinių valdžios institucijų nurodytus pakavimo medžiagų surinkimo punktus.

2 Bendroji išvaizda

2.1 Apžvalga



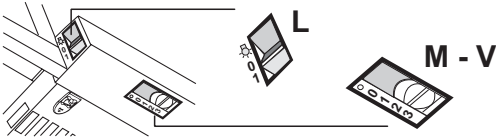
1. Korpusas
2. Aliumininis riebalų filtras
3. Apšvietimas
4. Valdymo skydelis
5. Kaminas

2.2 Techniniai duomenys

Modelis	CTB 6250 X CTB 6250 B CTB 6250 W CTB 6250 XH	CTB 9250 X CTB 9250 XH
Tiekimo įtampa	220-240V ~ 50 Hz	
Lemputės galingumas	2x4 W	
Variklio galingumas	1 x 140 W	
Oro srautas – 3. lygis	420 m ³ /val.	
Izoliacijos klasė	II klasė	

3 Prietaiso naudojimas

3.1 Valdymo skydelis

	
L : Apšvietimas	Ijungia ir išjungia apšvietimą
M : Variklis	Ijungia ir išjungia gartraukio variklį
V : Greitis	Nustato gartraukio darbinį greitį: 1. Mažas greitis, naudojamas nuolatiniams ir tyliam oro pakeitimui esant nedideliams garų kiekiui. 2. Vidutinis greitis, tinkamas daugumai darbo sąlygų, užtikrina tinkamą ventiliuojamo oro srauto / triukšmo santykį. 3. Maksimalus greitis, naudojamas garams, susikaupusiems per ilgesnį laiko tarpą, šalinti.

- Ištraukiantis gartraukis skirtas naudoti tikslai namuose pašalinti kvapus iš virtuvės.
- Niekada nenaudokite jo jokiems kitiems tikslams negu jis yra skirtas.
- Nepalikite aukštos atviros liepsnos po veikiančiu gartraukiu.
- Reguluokite liepsnos aukštį taip, kad būtų kaitinama tik puodo apačia ir liepsna nekiltų puodo šonais.
- Gruzdintuvę ant liepsnos reikia visą laiką stebėti, nes perkaitęs aliejus gali užsiliepsnoti.

3.2 Energijos efektyvumas

- kai gartraukis veikia, reguliuokite greičio lygį pagal garų ir kvapo intensyvumą, kad gartraukis be reikalo nenaudotų energijos.
- Įprastomis sąlygomis rinkitės mažą greitį (1-2), o jei garai ir kvapai yra intensyvūs, nustatykite didesnį greitį (3).
- Lemputės gartraukyje yra skirtos apšviesti gaminimo zoną.
- Naudojant šias lemputes kaip virtuvės apšvietimą, bus be reikalo švaistoma energija ir apšvietimas bus netinkamas.
- Įrenginys suvartos mažiau elektros, jei veiks mažiausiu greičiu.
- Jūsų įrenginys sumažins energijos sąnaudas, nes veiks efektyviau, jei į jį pateks pakankamai oro.
- Nustatykite intensyviausią įrenginio siurbimo galios lygį dar prieš susiformuojant garams, jei žinote, kad garų bus daug. Taip sumažinsite energijos sąnaudas, kadangi naudosite įrenginį trumpiau, nes jame bus pakankamas oro įsiurbimas.
- Verdant puodo dangtį laikykite visiškai uždengtą, kad sumažintumėte garų susidarymą.

3.3 Gartraukio veikimas:

- Gartraukis turi keliais greičiais nustatomą ventiliatorių su varikliu.
- Kad gartraukis veiktų geriau, įprastomis sąlygomis rekomenduojame rinktis mažą greitį, o kai garų ir dūmų yra daug – didelį greitį.
- Gartraukį galima įjungti spaudžiant norimo greičio mygtuką (V1, V2, V3).
- Gaminimo zoną galima apšviesti spaudžiant ap (L)

3 Prietaiso naudojimas

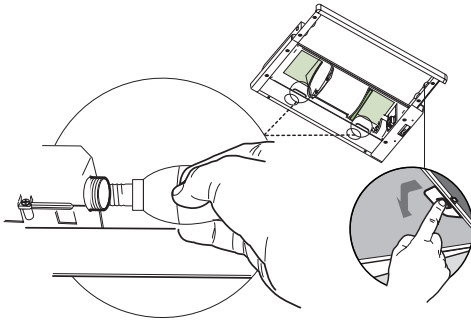
3.4 Lemputės pakeitimas




- Prieš pakeisdami lempuotę atjunkite gartraukį nuo maitinimo šaltinio.
- Nelieskite įkaitusių lempučių.
- Nelieskite tiesiai rankomis pakeistos lempuotės.



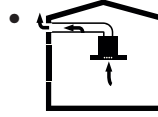
Lempučių galite įsigyti iš įgaliotųjų aptarnavimo atstovų.



Elektros lempuotė	
Lempuotės galingumas	4 W
Laikiklis / lizdas	E14
Lempuotės įtampa	220 - 240 V
ILCOS kodas	D R B B / F - 4 - 2 2 0 - 240-E14-35/100
Dydis	35x100 mm
Šviesos srautas	400 lm
Susietoji spalvinė temperatūra	3000 K

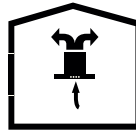
Šiame gaminyje yra "F" efektyvumo klasės energijos suvartojimo šviesos šaltinis.

3.5 Naudojimas su dūmtraukiu



- Garai yra pašalinami per dūmtraukio vamzdį, pritvirtintą prie gartraukio jungiamosios galvutės.
- Dūmtraukio skersmuo turi atitikti jungiamojo žiedo skersmenį. Kad oras būtų lengvai ištraukiamas iš patalpos per horizontaliai tvirtinamą vamzdį, vamzdį reikia sumontuoti šiek tiek pakreiptą į viršų (10° kampu).

3.6 Naudojimas be dūmtraukio



- Oras yra filtruojamas per anglies filtrą ir išmetamas atgal į patalpą. Jei namuose nėra dūmtraukio, naudojamas anglies filtras.
- Jei gartraukis bus naudojamas be dūmtraukio jungties, išimkite iš dūmtraukio adapterio nukreipiklius.
- Išimkite aliuminio filtrą. Norėdami sumontuoti anglies filtrą, į jį įstatykite centre tarp abiejų ventiliatoriaus korpuso dalių ir užfiksuokite spaus-tukus. Pritvirtinkite filtrą sukdami spaus-tukus į kairę arba į dešinę.
- Įstatykite aliuminio filtrą.

4 Valymas ir priežiūra

Įrenginį reikia reguliariai valyti ir prižiūrėti. Jei įrenginys nebus švarus, tai neigiamai paveiks įrenginio tarnavimo laiką. Valydami ir prižiūrėdami vadovaukitės instrukcijomis, pateiktomis vadove.



Prieš atlikdami valymo ir priežiūros darbus atjunkite prietaisą arba išjunkite pagrindinį maitinimo jungiklį, arba atsukite saugiklį, esantį gartraukyje.



Nesilaikant nuostatų, susijusių su įrenginio valymu ir filtrų pakeitimu, gali kilti gaisro pavojus. Todėl rekomenduojama laikytis čia pateiktų nurodymų. Gamintojas neatsako už variklio pažeidimus ar gaisrus, kilusius dėl netinkamo naudojimo.

Valykite tik neutraliu valymo skysčiu sudrėkinta šluoste. Nevalykite su kitais įrankiais ar instrumentais. Nenaudokite braižančių produktų. Nenaudokite alkoholio.

4.1 Aliuminio riebalų filtro valymas

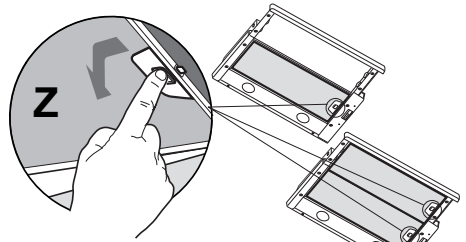
Šis filtras surenka riebalų daleles iš oro. Rekomenduojama filtrą valyti kiekvieną mėnesį, kai jis naudojamas įprastu dažnumu. Iš pradžių išimkite riebalų filtras. Nuplaukite filtras su indų plovikliu ir išskalaukite vandeniu, kai išdžiūsta, įstatykite atgal. Aliumininiai riebalų filtras gali pakeisti spalvą plaunant, tai normalu, filtro dėl to keisti nereikia.



Aliumininį filtrą galite plauti indaplovėje



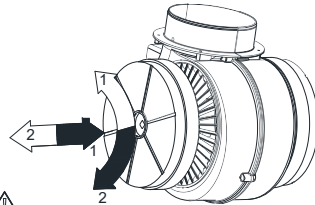
DĖMESIO: Rekomenduojama filtrą valyti kiekvieną mėnesį, kai jis naudojamas įprastu dažnumu.



4.2 Anglies filtro keitimas (oro cirkuliacijos režimu)

Ant gartraukio galima įrengti aktyvios anglies filtrą. Anglies filtras įrengiamas tik tuo atveju, jei gartraukis nėra prijungtas prie ištraukimo angos.

Keisdami anglies filtrą atkreipkite dėmesį į naudojamos turbino tipą.



Filtras
Filtro

→ įstatymo simbolis
⇨ išmontavimo simbolis

ĮSPĖJIMAS:

- Anglies filtro plauti negalima.
- Anglies filtrą reikia keisti kas tris mėnesius.
- Anglies filtrą galima įsigyti iš įgaliotos tarnybos.

5 Prietaiso nustatymas



ĮSPĖJIMAS: Prieš pradėdami perskaitykite saugos instrukcijas.



ĮSPĖJIMAS: Neįstačius varžtų ar nepritvirtinus prietaiso pagal šias instrukcijas gali kilti elektros pavojus.

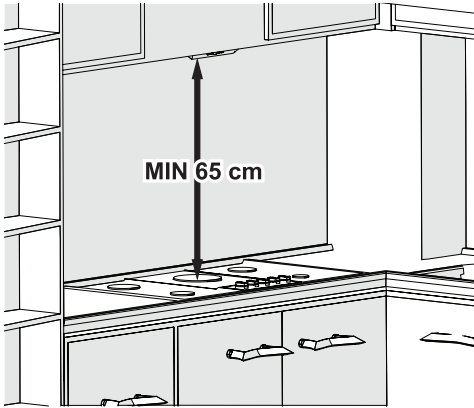


Žr. montavimo vadovo 266 psl.

Dėl gartraukio sumontavimo kreipkitės į artimiausią įgaliotąjį techninio aptarnavimo centro atstovą.

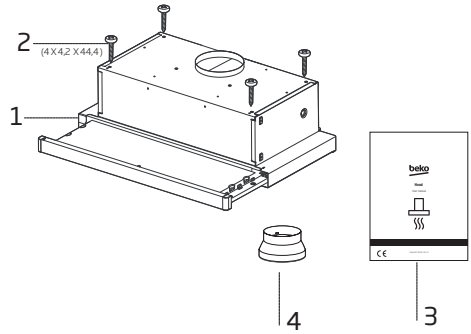
Vartotojas yra atsakingas už vietos, elektros ir dujų instaliacijos paruošimą šiam gaminiui.

5.1 Padėties nustatymas



- Atstumas tarp viryklės ir gartraukio turi būti įvertintas prieš pradėdant montavimo darbus. Jis turi sudaryti 65 cm.
- Atstumą reikia matuoti nuo gartraukio grotelių dujinėms viryklėms, nuo stiklinio paviršiaus elektrinėms viryklėms.

5.2 Montavimo priedai



1. Gartraukis
2. 4 X 4,2 X 44,4 varžtai
3. Naudotojo Vadovas
4. 1 x 120 / 150 mm skersmens plastikinis ortakio adapteris

5.3 Saugojimas

- Jeigu prietaiso ilgai nenaudosite, padėkite jį į saugią vietą.
- Patikrinkite, ar prietaisas yra atjungtas nuo elektros tinklo, atvėsęs ir visiškai sausas.
- Prietaisą laikykite vėsioje, sausoje vietoje.
- Saugokite prietaisą nuo vaikų.

5.4 Tvarkymas ir transportavimas

- Tvarkydami ir transportuodami prietaisą neškite originalioje pakuotėje. Prietaiso pakuotė apsaugo jį nuo fizinių pažeidimų.
- Nedėkite didelių apkrovų ant prietaiso ar pakuotės. Prietaisas gali būti sugadintas.
- Numetus prietaisą jis neveiks arba sugadins jį visam laikui.

6 Trikčių šalinimas

Trikčių šalinimas	Priežastis	Pagalba
Gaminys neveikia.	Patikrinkite saugiklį.	Saugiklis gali būti uždarytas, atidarykite jį.
Gaminys neveikia.	Patikrinkite elektros jungtį.	Tinklo įtampa turėtų būti 220 – 240 V.
Gaminys neveikia.	Patikrinkite elektros jungtį.	Patikrinkite, ar kiti jūsų virtuvės gaminiai veikia.
Apšvietimo lemputė neveikia.	Patikrinkite elektros jungtį.	Tinklo įtampa turėtų būti 220 – 240 V.
Apšvietimo lemputė neveikia.	Patikrinkite lemputės jungiklį.	Lemputės jungiklis turėtų būti įjungtas.
Apšvietimo lemputė neveikia.	Patikrinkite lemputes.	Gaminio lemputės neturėtų būti sugedusios.
Gaminio oro įsiurbimas prastas.	Patikrinkite aliuminio filtrą.	Aliuminio alyvos filtrą normaliomis sąlygomis reikia valyti bent kartą per mėnesį.
Gaminio oro įsiurbimas prastas.	Patikrinkite oro išleidimo angą.	Oro išleidimo dūmtakis turėtų būti „įjungtas“ padėtyje.
Gaminio oro įsiurbimas prastas.	Patikrinkite anglies filtrą.	Gaminiams su anglies filtrais paprastai filtrus reikia keisti kas 3 mėnesius.

Vă rugăm să citiți mai întâi acest manual de utilizare!

Stimate client,

Vă mulțumim pentru că ați ales acest produs Beko. Sperăm să obțineți cele mai bune rezultate de la aparatul dumneavoastră, care a fost fabricat la o calitate înaltă și cu tehnologie performantă. Din acest motiv, vă rugăm să citiți cu atenție și în întregime acest manual de utilizare și toate celelalte documente însoțitoare înainte de a utiliza aparatul și să le păstrați pentru consultări ulterioare. Dacă transmiteți produsul altei persoane, oferiți-i și manualul de utilizare. Urmați instrucțiunile și acordați atenție tuturor informațiilor și avertismentelor din manualul de utilizare.

Nu uitați că acest manual de utilizare poate fi aplicat și altor modele. Diferențele dintre modele sunt descrise în manual în mod explicit.

Semnificația simbolurilor

Următoarele simboluri sunt utilizate în diverse părți ale acestui manual de utilizare:



Informații importante și sugestii utile cu privire la utilizare.



AVERTISMENT: Avertismente pentru situații periculoase referitoare la siguranța vieții și bunurilor.



AVERTISMENT: Avertisment pentru pericol de incendiu.



AVERTISMENT: Avertisment privind electrocutarea.



Clasă de protecție împotriva electrocutării.



1 Instrucțiuni importante cu privire la siguranță și mediu

1.1 Siguranță generală

Instrucțiuni importante cu privire la siguranță Citiți cu atenție și păstrați-le pentru consultare ulterioară Această secțiune conține instrucțiuni privind siguranța, care vă vor proteja împotriva riscului de incendiu, electrocutare, expunere la scurgeri de microunde, vătămare corporală și pagube materiale. Nerespectarea acestor instrucțiuni atrage anularea garanțiilor acordate.

- Produsele de la Beko sunt conforme standardelor de siguranță aplicabile; din acest motiv, în caz de defecțiune a produsului sau a cablului de alimentare, acestea trebuie reparate sau înlocuite de distribuitor, un centru de service sau un service similar specializat și autorizat, pentru evitarea oricărui pericol. Lucrările de reparații greșite sau efectuate de persoane necalificate pot cauza pericole sau riscuri utilizatorului.
- Acest aparat este destinat pentru a fi utilizat în scop casnic și aplicații similare cum ar fi:

- Bucătării pentru personalul din magazine, birouri sau alte medii de lucru;
- Ferme
- De către clienți în hoteluri, moteluri sau alte medii de tip rezidențial;
- Medii de tip pensiune.
- Utilizați acest produs doar pentru uzul desemnat, așa cum este descris în acest manual.
- Producătorul nu își asumă răspunderea pentru daunele provocate de instalarea incorectă sau utilizarea greșită a produsului.
- Acest aparat poate fi utilizat de către copii cu vârsta minimă de 8 ani și de către persoanele cu capacități fizice, senzoriale sau mentale reduse sau lipsite de experiență și de cunoștințe, dacă aceștia au fost supravegheați sau instruiți cu privire la utilizarea produsului într-un mod sigur și dacă înțeleg pericolele implicate.
- Copiii nu trebuie să se joace cu aparatul. Operațiunile de curățare și întreținere nu trebuie să

1 Instrucțiuni importante cu privire la siguranță și mediu

fie efectuate de către copii fără supraveghere.

- Distanța minimă dintre suprafețele de susținere pentru vasele de gătit de pe plită și partea cea mai joasă a hotei trebuie să fie de 65 cm.
- Dacă instrucțiunile de instalare a plitei cu gaz specifică distanțe mai mari decât cele de mai sus, se vor respecta instrucțiunile respective.
- Asigurați-vă că tensiunea de alimentare corespunde cu informațiile furnizate pe plăcuța cu date tehnice a produsului.
- Nu utilizați aparatul atunci când cablul de alimentare sau aparatul în sine este avariat.
- Nu strângeți, nu îndoiți și nu frecăți cablul de alimentare de margini tăioase, pentru a preveni avarierea acestuia. Feriți cablul de alimentare de suprafețele fierbinți și focul deschis.
- Utilizați produsul doar cu o priză cu împământare.

AVERTISMENT: Nu conectați produsul la priza de alimentare

înainte de finalizarea instalării.

- Amplasați aparatul astfel încât ștecherul să fie întotdeauna accesibil.
- Nu atingeți lămpile dacă au funcționat mult timp. Vă pot arde mâinile, deoarece vor fi fierbinți.
- Respectați reglementările stabilite de autoritățile competente privind evacuarea aerului rezidual (acest avertisment nu este valabil la utilizarea fără coșul de fum).
- Folosiți produsul după ce ați pus o oală, o tigaie etc. pe plită. În caz contrar, căldura ridicată poate cauza deformări în unele părți ale produsului.
- Opriti plita înainte de a lua oala, tigaia etc. de pe aceasta.
- Nu lăsați ulei fierbinte pe plită. Tigăile cu ulei fierbinte pot provoca auto-combustia.
- Fiți atenți la perdele și huse, deoarece uleiul poate lua foc în timp ce gătiți alimente cum ar fi cartofi prăjiți.
- Filtrul de grăsime trebuie înlocuit cel puțin lunar. Filtrul de carbon

1 Instrucțiuni importante cu privire la siguranță și mediu

trebuie înlocuit cel puțin o dată la 3 luni.

- Produsul trebuie curățat conform manualului de utilizare. În cazul în care curățarea nu a fost efectuată conform manualului de utilizare, există risc de incendiu.
- Nu folosiți materiale de filtrare care nu sunt rezistente la foc, în locul filtrului actual.
- Utilizați doar componentele originale sau componentele recomandate de către producător.
- Nu folosiți produsul fără filtru și nu scoateți filtrele în timp ce produsul funcționează.
- În cazul în care se produce o flacără, opriți alimentarea produsului și aparatele de gătit.
- În cazul în care se produce o flacără, acoperiți flacăra și nu utilizați apă pentru stingere.
- Înainte de fiecare curățare și atunci când produsul nu este folosit, scoateți-l din priză.
- Presiunea negativă în mediu nu trebuie să depășească 4 Pa (4

x 10 bari), în timp ce hota pentru plita electrică și aparatele care funcționează cu un alt tip de energie decât electricitatea funcționează simultan.

- În mediul în care este folosit produsul, evacuarea dispozitivelor care funcționează pe combustibil lichid sau motorină, cum ar fi radiatorul, trebuie să fie complet izolată sau dispozitivul trebuie să fie de tip ermetic.
- La conectarea coșului de evacuare, folosiți țevi cu diametrul de 120 sau 150 mm. Racordul țevelor trebuie să fie cât mai scurt posibil și să aibă cât mai puține coturi.
- Pericol de sufocare! Păstrați materialele de ambalare la loc inaccesibil copiilor.

ATENȚIE: În timpul utilizării cu aparate de gătit, piesele accesibile se pot încinge.

- Evacuarea hotei nu trebuie să fie conectată la canalele de aer care includ alte tipuri de fum.
- Ventilația în cameră poate fi insuficientă atunci când hota

1 Instrucțiuni importante cu privire la siguranță și mediu

pentru plita electrică este folosită simultan cu dispozitive care funcționează cu gaz sau alți combustibili (nu se aplică neapărat în cazul aparatelor care doar evacuează aerul înapoi în cameră).

- Obiectele plasate pe produs pot să cadă. Nu amplasați nici un obiect pe aparat.
- Nu flambați alimente sub produs.

AVERTISMENT: Îndepărtați foliile de protecție înainte de a instala hota.

- Nu lăsați niciodată focul deschis la intensitate mare sub hotă când aceasta funcționează.
- Friteuzele trebuie supravegheate permanent în timpul folosirii: uleiul supraîncălzit se poate aprinde.

1.2 Conformitate cu Directiva DEEE și eliminarea deșeurilor:

Acest produs este conform cu Directiva DEEE a UE (2012/19/EU). Acest produs poartă un simbol pentru deșeuri de echipamente electrice (DEEE).



Acest simbol indică faptul că acest produs nu trebuie eliminat împreună cu alte deșeuri menajere la sfârșitul duratei sale de utilizare. Dispozitivul uzat trebuie returnat către un punct

oficial de colectare pentru reciclarea dispozitivelor electrice și electronice. Pentru a găsi aceste siste-

me de colectare contactați autoritățile locale sau distribuitorul de la care a fost achiziționat produsul. Fiecare gospodărie are un rol important în recuperarea și reciclarea electrocasnicelor vechi. Eliminarea corespunzătoare a electrocasnicelor uzate ajută la prevenirea posibilelor consecințe negative pentru mediu și sănătatea umană.

1.3 Conformitatea cu Directiva RoHS

Produsul pe care l-ați achiziționat este conform cu Directiva RoHS UE (2011/65/UE). Produsul nu conține materiale dăunătoare sau interzise specificate în Directivă.

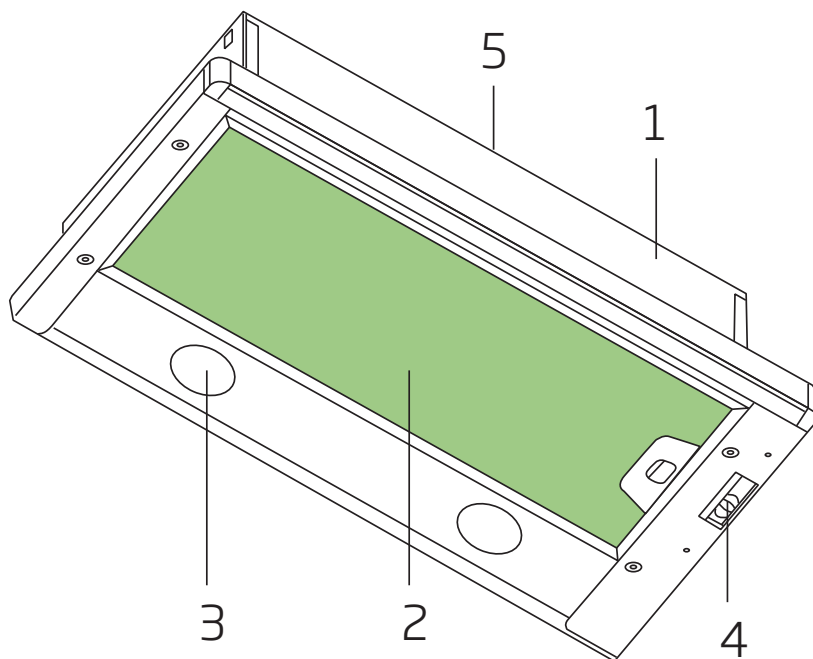
1.4 Informații despre ambalaj



Ambalajul produsului este fabricat din materiale reciclabile, în conformitate cu reglementările naționale de mediu. Nu eliminați ambalajul împreună cu deșeurile menajere sau de alt tip. Transportați-le la punctele de colectare a ambalajelor desemnate de către autoritățile locale.

2 Aspect general

2.1 Prezentare generală



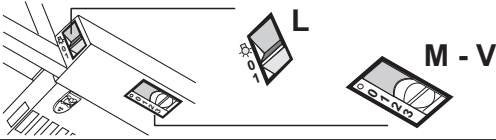
1. Corp principal
2. Filtru de grăsime din aluminiu
3. Sistem de iluminat
4. Panou de comandă
5. Coș de fum

2.2 Date tehnice

Model	CTB 6250 X CTB 6250 B CTB 6250 W CTB 6250 XH	CTB 9250 X CTB 9250 XH
Tensiune de alimentare	220-240V ~ 50 Hz	
Putere bec	2x4 W	
Putere motor	1 x 140 W	
Flux aer – 3. Nivel	420 m ³ /h	
Clasa de izolație	CLASA II	

3 Utilizarea produsului

3.1 Panou de comandă

	
L : Lumini	Aprinde și stinge instalația de iluminare.
M : Motor	Aprinde și stinge motorul de aspirație.
V : Viteza	Determină viteza de funcționare: 1. Viteza minimă, adecvată pentru schimbarea continuă a aerului deosebit de silențioasă, în cazul în care sunt puțini aburi de la gătit. 2. Viteza medie, adecvată majorității condițiilor de utilizare, având în vedere raportul optim dintre aerul tratat și nivelul sonor. 3. Viteza maximă, adecvată a face față emisiunilor maxime de vapori de la gătit, și pe perioade îndelungate.

- Hota extractoare a fost proiectată exclusiv pentru uz domestic, pentru a elimina mirosurile din bucătărie.
- Nu utilizați niciodată hota în alte scopuri decât cele pentru care a fost proiectată.
- Nu lăsați niciodată flăcări deschise înalte sub hotă atunci când aceasta este în funcțiune.
- Ajustați intensitatea flăcării pentru a o direcționa numai spre partea inferioară a tigăii, asigurându-vă că nu învaluiе marginile.
- Friteuzele cu grăsimi trebuie monitorizate în mod continuu în timpul utilizării: uleiul supraîncălzit poate izbucni în flăcări.

3.2 Utilizarea eficientă pentru economie de energie

- Când folosiți hota, ajustați setările de viteză conform vaporilor și intensității mirosului, pentru a economisi energie.
- Folosiți viteze mici (1-2) în condiții normale și viteze mari (3) pentru mirosuri intense și vapori.
- Lămpile de pe hotă sunt plasate pentru iluminarea zonei de gătit.
- Folosirea lor pentru lumina ambientală va produce consum de energie inutil și lumină insuficientă.
- Pentru ca aparatul să consume mai puțină energie, utilizați-l la o viteză redusă.
- Aparatul va consuma mai puțină energie, deoarece va funcționa mai eficient atunci când îi asigurați o admisie suficientă de aer.
- Setati aparatul la nivelul de aspirație puternică înainte de formarea aburului, în cazurile în care știți că se va forma mult abur. Așadar, reduceți consumul de energie folosind aparatul pentru o perioadă mai scurtă de timp, deoarece va avea o admisie suficientă de aer.
- Țineți capacele vaselor de gătit închise pentru a reduce degajarea aburului.

3.3 Funcționarea hotei

- Hota dvs. conține un motor care are viteze diferite.

3 Utilizarea produsului

- Pentru o performanță mai bună, vă recomandăm să utilizați viteze reduse în condiții normale și viteze mari în caz de mirosuri puternice și vapori intensi.
- Puteți porni aparatul apăsând butonul de setare a vitezei dorit. (V1, V2, V3)
- Puteți ilumina zona de gătit apăsând lampa. (L)

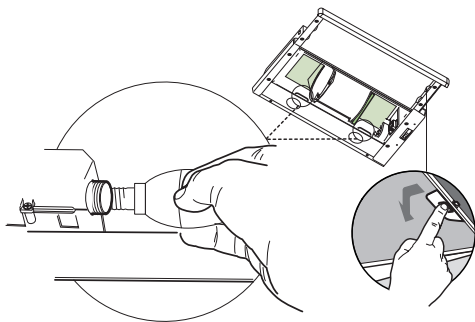
3.4 Înlocuirea becului




- Înainte de a înlocui becul, deconectați hota de la sursa de alimentare.
- Nu atingeți becurile atunci când sunt fierbinți.
- Aveți grijă să nu atingeți becul înlocuit direct cu mâinile.



Becuri de rezervă găsiți la agenții din service autorizate.

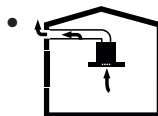


Bec	
Putere bec	4 W
Suport / Priză	E14
Tensiune bec	220 - 240 V

Cod ILCOS	D R B B / F - 4 - 2 2 0 - 240-E14-35/100
Dimensiune	35x100 mm
Flux de lumină	400 lm
Temperatură de culoare corespondentă	3000 K

Acest produs conține o sursă de lumină din clasa de eficiență energetică "F".

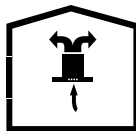
3.5 Funcționare cu racordare la burlan



Vaporii sunt extrași prin conducta de evacuare, care este fixată pe capul de conectare de pe hotă.

- Diametrul conductei de evacuare trebuie să fie același cu cel al inelului de conectare. În setări orizontale, țeava trebuie să aibă o ușoară pantă ascendentă (aproximativ 10°), astfel încât aerul să poată ieși cu ușurință din cameră.

3.6 Funcționare fără racordare la burlan



Aerul este filtrat prin filtrul de carbon și recirculat în cameră. Filtrul de carbon este utilizat atunci când este imposibil de utilizat un burlan în casă.

- În cazul utilizării fără burlan de evacuare, îndepărtați clapetele din interiorul adaptorului pentru conducta de evacuare.
- Scoateți filtrul de grăsimi din aluminiu. Pentru a instala filtrul de carbon, montați filtrul pe clapete centrându-l pe piesa din plastic de pe ambele părți ale corpului ventilatorului. Strângeți-l prin rotirea spre dreapta sau spre stânga.
- Înlocuiți filtrul de grăsimi din aluminiu.

4 Curățare și întreținere

Dispozitivul trebuie curățat și întreținut în mod regulat. Dacă aparatul nu este păstrat curat durata de viață a acestuia va fi afectată negativ. Pentru curățare și întreținere, urmați instrucțiunile specificate în manual.



Înainte de curățare și întreținere, deconectați aparatul, opriți întrerupătorul principal sau slăbiți siguranța care alimentează hota.



Nerespectarea prevederilor legate de curățarea aparatului și înlocuirea filtrelor poate duce la producerea de incendii. Prin urmare, se recomandă să urmați instrucțiunile specificate aici. Producătorul nu este responsabil pentru defecțiunile motorului sau incendiile cauzate de utilizarea necorespunzătoare.

Curățați folosind o cârpă înmuiată în detergent lichid cu pH neutru. Nu curățați folosind ustensile sau instrumente. Nu folosiți produse abrazive. Nu folosiți alcool.

4.1 Curățarea filtrului din aluminiu pentru grăsime

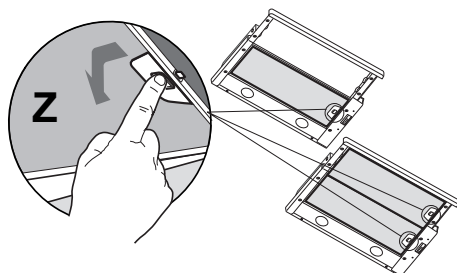
Acest filtru captează particulele de ulei din aer. Se recomandă curățarea filtrului în fiecare lună, în condiții normale de utilizare. În acest scop, mai întâi îndepărtați filtrele de grăsime. Spălați filtrele cu detergent lichid și apoi clățiți-le cu apă, iar după uscare montați-le la loc. Filtrele de aluminiu se pot decolora pe măsură ce sunt spălate; acest lucru este normal și nu necesită înlocuirea filtrului.



Puteți spăla filtrul din aluminiu în mașina de spălat vase



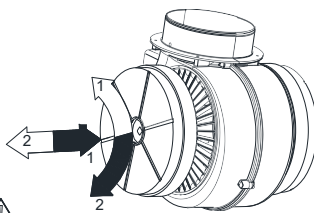
ATENȚIE: În caz de utilizare normală, curățați filtrul o dată pe lună.



4.2 Schimbarea filtrului de carbon (Mod de recirculare a aerului)

Hota poate fi echipată cu un filtru de carbon activ. Filtrul de carbon se folosește doar în cazul în care hota nu este conectată la conducta de aerisire.

În momentul înlocuirii filtrului de carbon, fiți atent la tipul de turbină utilizată.



Simbol → Montarea filtrului
Simbol ← Demontarea filtrului

AVERTISMENT:

- Filtrul de carbon nu trebuie spălat niciodată.
- În orice caz, schimbarea filtrului de carbon se face o dată la trei luni.
- Filtrul de carbon îl puteți găsi în service-urile autorizate.

5 Instalarea hotei



AVERTISMENT : Vă rugăm să citiți instrucțiunile de siguranță înainte de instalare.



AVERTISMENT : Neinstalarea șuruburilor sau a dispozitivului de fixare în conformitate cu aceste instrucțiuni poate cauza pericole electrice.

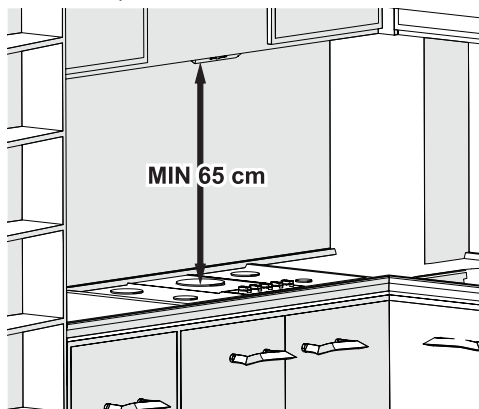


Vă rugăm să consultați pagina 266 pentru ghidul de instalare

Pentru instalarea hotei, vă rugăm să contactați cel mai apropiat serviciu autorizat.

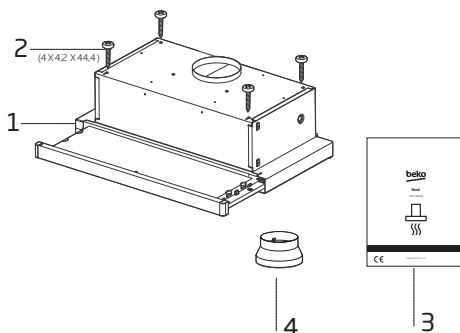
Este responsabilitatea clientului să pregătească locația și instalarea electrică a hotei.

5.1 Poziția aparatului



- Distanța dintre aragaz și hotă trebuie luată în considerare înainte de asamblare. Această distanță trebuie să fie de 65 cm.
- Distanța trebuie măsurată de la suprafața grătarului pentru aragazuri pe gaz, de la suprafața sticlei pentru aragazuri electrice.

5.2 Accesorii pentru montare



1. Hotă
2. Șuruburi 4 X 4,2 X 44,4
3. Manual de utilizare
4. 1 x adaptor evacuare din plastic Ø120/150 mm

5.3 Depozitarea

- Dacă nu doriți să utilizați aparatul pentru o perioadă lungă de timp, depozitați-l cu grijă.
- Asigurați-vă că aparatul este decuplat, că s-a răcit complet și că este perfect uscat.
- Depozitați aparatul într-un loc uscat și rece.
- Nu lăsați aparatul la îndemâna copiilor

5.4 Manevrarea și transportul

- În timpul manevrării și transportului, transportați produsul în ambalajul său original. Ambalajul aparatului îl protejează împotriva deteriorării fizice.
- Nu plasați obiecte grele pe aparat sau pe ambalaj. Aparatul poate fi deteriorat.
- Căderea aparatului îl poate face nefuncțional sau poate provoca daune permanente.

6 Depanarea

Problemă	Cauză	Soluție
Produsul nu funcționează.	Verificați siguranța dvs.	Dacă siguranța dvs. este închisă, deschideți-o.
Produsul nu funcționează.	Verificați conexiunea electrică.	Tensiunea rețelei trebuie să fie între 220 și 240 V.
Produsul nu funcționează.	Verificați conexiunea electrică.	Verificați dacă și celelalte aparate din bucătărie funcționează.
Lampa de iluminare nu funcționează.	Verificați conexiunea electrică.	Tensiunea rețelei trebuie să fie între 220 și 240 V.
Lampa de iluminare nu funcționează.	Verificați comutatorul lămpii.	Comutatorul pentru lampă trebuie să fie în poziția „on” (pornit).
Lampa de iluminare nu funcționează.	Verificați becurile.	Becurile produsului nu trebuie să fie defecte.
Admisia de aer a produsului este slabă.	Verificați filtrul de aluminiu.	În condiții normale de funcționare, filtrul de ulei din aluminiu trebuie curățat cel puțin o dată pe lună.
Admisia de aer a produsului este slabă.	Verificați tubul de evacuare a aerului.	Tubul de evacuare a aerului trebuie să fie în poziția „on” (pornit).
Admisia de aer a produsului este slabă.	Verificați filtrul de carbon.	Pentru produsele cu filtre de carbon, filtrul trebuie schimbat în mod normal la fiecare 3 luni.



CERTIFICAT DE GARANȚIE

Tensiune de alimentare/frecvență: 220-240V~, 50-60Hz

Importator: ARCTIC S.A., Găești, Dâmbovița, str. 13 Decembrie nr. 210, email: office@arctic.ro

TIP: Aragaz Cuptor încorporabil Plită încorporabilă Hotă

Model / Serie:.....

VÂNZĂTOR

Nr. factură:.....Data:

Vânzător (firma, localitatea):

CUMPĂRĂTOR

NumeLocalitatea

Str.Nr.BlocSc.Et.Ap.

Județ TelefonE-mail

S-a efectuat proba de funcționare a aparatului, s-a prezentat modul de folosire, s-au predat instrucțiunile de utilizare și toate accesoriile. Am primit aparatul în perfectă stare de funcționare.

Stimați clienți,

La cumpărare vă recomandăm să solicitați efectuarea probei de funcționare și să verificați existența instrucțiunilor de utilizare și a accesoriilor.

Pentru a putea beneficia de toate avantajele produselor și serviciilor noastre vă rugăm:

- să citiți cu atenție și să respectați recomandările prezentate în "Instrucțiunile de utilizare".

- să păstrați cu grijă acest certificat pentru a-l putea prezenta (împreună cu documentul fiscal de achiziție), personalului SERVICE ARCTIC, la orice sesizare efectuată în perioada de garanție.

Vă mulțumim că ați optat pentru cumpărarea unui produs Beko!

Garanția legală de conformitate

Durata medie de utilizare a produsului este de 10 ani!

Perioada de garanție legală de conformitate este de 2 ani de la livrarea produsului*,

*prin „produs” se înțelege „bun” conform OUG nr. 140/2021¹

Perioada de garanție legală de conformitate pentru conținutul digital sau serviciul digital în cazul bunurilor cu elemente digitale pentru care contractul de vânzare-cumpărare prevede furnizarea continuă de conținut digital sau a serviciului digital pe durată determinată este de:

a) 2 ani de la livrare, respectiv de la livrarea bunului - pentru produse cu durata medie de utilizare de 5 ani (art. 9 (3) din OUG nr. 140/2021);

b) 5 ani de la livrare, respectiv de la livrarea bunului - pentru produse cu durata medie de utilizare mai mare de 5 ani (art. 9 (3) din OUG nr. 140/2021);

c) Pe tot parcursul perioadei de furnizare a conținutului / serviciului digital - pentru furnizare continuă a conținutului / serviciului digital pe o perioadă mai mare de 5 ani (art. 9 (4) din OUG nr. 140/2021).

¹Ordonanță de urgență 140/2021 privind anumite aspecte referitoare la contractele de vânzare de bunuri



Service-ul acestui produs este asigurat de ARCTIC S.A. cu sediul în Găești, Dâmbovița, str. 13 Decembrie nr. 210. • 9010 • www.arctic.ro • www.beko.ro • e-mail: service@arctic.ro
Program Call Center: Luni - Vineri 08:30 - 20:00; Sâmbătă 08:30 - 17:00



Remedii incluse în garanția legală de conformitate conform OUG nr. 140/2021
(vă rugăm să aveți în vedere prevederile de mai jos)

ARCTIC garantează toate drepturile legale prevăzute de OUG nr. 140/2021 în beneficiul consumatorilor cu privire la garanția legală de conformitate. Dispozițiile prezentului certificat de garanție legală de conformitate se completează, în mod corespunzător, cu dispozițiile OUG nr. 140/2021.

În caz de neconformitate, consumatorul are dreptul de a beneficia de aducerea în conformitate a bunurilor, de a beneficia de o reducere proporțională a prețului sau de a obține încetarea contractului, în condițiile legii - art. 11 (1).

Consumatorii pot să opteze pentru o anumită măsură corectivă în cazul în care neconformitatea bunurilor este constatată la scurt timp după livrare, fără a depăși 30 de zile calendaristice - art. 11 (7).

Pentru ca bunurile să fie aduse în conformitate, consumatorul poate opta între reparație și înlocuire, cu excepția cazului în care măsura corectivă aleasă ar fi imposibilă sau, în comparație cu cealaltă măsură corectivă disponibilă, ar impune vânzătorului costuri care ar fi disproporționate, luând în considerare toate circumstanțele (ex. valoarea bunurilor în cazul în care nu ar fi existat neconformitatea, gravitatea neconformității sau dacă măsura corectivă alternativă ar putea fi executată fără vreun inconvenient semnificativ pentru consumator) - art. 11 (2).

Instalarea incorectă a bunurilor (art. 7).

Orice neconformitate cauzată de instalarea incorectă a bunurilor este considerată ca reprezentând o neconformitate a bunurilor, în oricare din următoarele situații:

- a) instalarea face parte din contractul de vânzare și a fost realizată de vânzător sau sub răspunderea vânzătorului;
- b) instalarea, destinată să fie realizată de consumator, a fost realizată de acesta și instalarea incorectă s-a datorat unor deficiențe în instrucțiunile de instalare furnizate de vânzător sau, în cazul bunurilor cu elemente digitale, de către vânzătorul sau furnizorul conținutului digital sau al serviciului digital.

Proba neconformității.

Orice neconformitate care este constatată în termen de un an de la data la care bunurile (inclusiv cele cu elemente digitale) au fost livrate este prezumată a fi existat deja în momentul livrării bunurilor până la proba contrarie sau cu excepția cazului în care această prezumție este incompatibilă cu natura bunurilor sau cu natura neconformității - art. 10 (1).

În cazul bunurilor cu elemente digitale pentru care contractul de vânzare prevede furnizarea continuă de conținut digital sau de servicii digitale pentru o anumită perioadă, sarcina probei cu privire la conformitatea conținutului digital sau a serviciului digital pe parcursul perioadelor de garanție legală îi revine vânzătorului în cazul unei neconformități care este constatată pe parcursul acestei perioade - art. 10 (3).

Remediere prin reparație.

În cazul în care neconformitatea este remediată prin reparație, termenele de garanție legală se prelungesc cu timpul de nefuncționare a bunului, din momentul la care a fost adusă la cunoștința vânzătorului lipsa de conformitate până la predarea efectivă a bunului în stare de utilizare normală către consumator - art. 12 (6).

Remediere prin înlocuire.

În cazul în care neconformitatea este remediată prin înlocuire, pentru bunurile care înlocuiesc bunurile neconforme, termenele legale de garanție pentru produsul înlocuit încep să curgă de la data înlocuirii cu noul produs - art. 12 (7).

Reducerea prețului și încetarea contractului.

Consumatorul are dreptul fie să obțină o reducere proporțională a prețului în conformitate cu legea, fie să obțină încetarea contractului de vânzare în condițiile legii, în oricare dintre următoarele cazuri - art. 11(4):

- a) vânzătorul nu a finalizat reparația sau înlocuirea sau, după caz, nu a finalizat reparația sau înlocuirea potrivit prevederilor legii sau vânzătorul a refuzat să aducă în conformitate bunurile potrivit prevederilor legii;
- b) se constată o neconformitate, în pofida eforturilor vânzătorului de a o remedia;
- c) neconformitatea este de o asemenea gravitate încât justifică o reducere de preț sau dreptul la încetarea imediată a contractului de vânzare;
- d) vânzătorul a declarat că nu va aduce bunurile în conformitate într-un termen rezonabil sau fără inconveniente semnificative pentru consumator ori acest lucru reiese clar din circumstanțele cazului.

Consumatorul are dreptul de a suspenda plata unei părți restante din prețul bunurilor sau a unei părți a acesteia până în momentul în care vânzătorul își va fi îndeplinit obligațiile care îi revin în temeiul legii - art. 11(6). Reducerea de preț este proporțională cu diminuarea valorii bunurilor primite de consumator în comparație cu valoarea pe care bunurile ar avea-o dacă ar fi în conformitate - art.13.

Încetarea contractului:

- a) nu poate fi solicitată dacă vânzătorul dovedește că neconformitatea este minoră;
- b) poate fi solicitată pentru totalitatea bunurilor achiziționate și livrate, deși motivul de încetare vizează doar anumite bunuri, în cazul în care consumatorul nu i se poate pretinde în mod rezonabil să accepte să păstreze numai bunurile conforme;
- c) determină obligația consumatorului de a returna vânzătorului bunurile, pe cheltuiala vânzătorului;
- d) determină obligația vânzătorului de a rambursa consumatorului prețul plătit pentru bunuri la primirea bunurilor sau a unei dovezii prezentate de consumator că bunurile au fost returnate; vânzătorul va folosi aceleași modalități de plată ca și cele folosite de consumator pentru tranzacția inițială, cu excepția cazului în care consumatorul a fost de acord cu o altă modalitate de plată și cu condiția de a nu cădea în sarcina consumatorului plata de comisioane în urma rambursării.

Garanția legală pentru viciu ascuns este aplicabilă în condițiile legii, conform OG nr. 21/1992 (revizia 2) privind protecția consumatorului, OUG nr. 140/2021 și Codului Civil. Viciul ascuns reprezintă deficiența calitativă a unui produs livrat sau a unui serviciu prestat care nu a fost cunoscută și nici nu putea fi cunoscută de către consumator prin mijloacele obișnuite de verificare.



Service-ul acestui produs este asigurat de ARCTIC S.A. cu sediul în Găești, Dâmbovița, str.13 Decembrie nr. 210. • *9010 • www.arctic.ro • www.beko.ro • e-mail: service@arctic.ro
Program Call Center: Luni - Vineri 08:30 - 20:00; Sâmbătă 08:30 - 17:00

UNITĂȚILE SERVICE ALE ARCTIC S.A. EXECUTĂ REPARAȚII ÎN TERMENUL DE GARANȚIE ȘI ÎN AFARA ACESTUIA

Nr. crt.	Data Reclamației	Data primirii în reparație	Reparat			Efectuarea verificării
			Programat	Data ridicării aparatului	Cauza întârzierii	
						Reparația curentă și/sau componenta înlocuită
						Prelungirea termenului de garanție
						SERVICE
						CLIENT

CONDIȚII SUPLEMENTARE DE GARANȚIE LEGALĂ DE CONFORMITATE:

Pentru orice defecțiune aparută în perioada de garanție legală, apelați la vânzător (respectiv, prin magazinul de unde a fost achiziționat produsul sau direct prin Call Center Arctic). Prelungirea termenului de garanție se va înscrive în certificatul de garanție de către unitatea SERVICE care a efectuat reparația. Garanția acoperă repararea și/sau înlocuirea pieselor constatate ca neconforme în sensul OUG nr. 140/2021. (necauzate de consumator) de către tehnicienii Service Arctic.

Termenul de realizare a operațiilor de reparare, înlocuire sau întreprinere este de 15 zile calendaristice de la data la care cumpărătorul a sesizat lipsa de conformitate către vânzător (respectiv, prin magazinul de unde a achiziționat produsul sau direct prin Call Center Arctic).

Reparațiile / înlocuirile se efectuează cu respectarea următoarelor condiții - art. 12(1)-(5) din OUG nr. 140/2021:

- fără costuri și fără vreun inconvenient semnificativ pentru consumator, înmând seama de natura bunurilor și de scopul pentru care consumatorul a solicitat bunurile în cauză;
- consumatorul pune bunurile la dispoziția vânzătorului, iar vânzătorul preia bunurile înlocuite pe propria cheltuială;
- obligăția de a rapara sau înlocui bunurile include, după caz, demontarea bunurilor neconforme și instalarea bunurilor de înlocuire sau a bunurilor reparate sau suportarea costurilor aferente demontării și instalării;
- consumatorul nu este obligat să plătească pentru utilizarea normală a bunurilor înlocuite în perioada care a precedat înlocuirea acestora.

Reclamațiile referitoare la aspectele prevăzute mai jos, se rezolvă numai contra cost:

- piesele și accesoriile care prezintă lovituri, zgârieturi, spărturi sau deformări din vina exclusivă a consumatorului.

PRODUSUL NU BENEFICIAZĂ DE GARANȚIE LEGALĂ DE CONFORMITATE ÎN URMĂTOARELE CAZURI:

- Nu au fost respectate instrucțiunile de transport, manipulare, instalare, utilizare și întreținere prescrite.
- Subansamblurile și accesoriile casabile care se deteriorează în timpul transportului vor fi înlocuite de vânzător (în cazul în care transportul e asigurat de vânzător sau sub responsabilitatea acestuia).
- Garanția nu se acordă subsansamblelor și accesoriilor casabile ale produselor care suferă deteriorări din vina exclusivă a consumatorului.
- Tensiunea de alimentare are valori care nu se încadrează în limitele prevăzute de standarde (SR EN 50160).
- Instalația electrică a utilizatorului prezintă improvizații sau neconformități.
- Produsul a fost folosit în alte scopuri decât cel pentru care a fost proiectat.
- Produsul a suportat intervenții (reparații, modificări) din partea unor persoane neautorizate de producător.

Drepturile consumatorului sunt cele prevăzute în OUG nr. 140/2021 și OG 21/1992 (republicată).

În cadrul acestui proces, Arctic vă prelucrează date cu caracter personal, cu respectarea legilor aplicabile privind confidențialitatea și protecția datelor. Pentru informații complete despre modul în care vă prelucreăm datele, precum și despre drepturile dumneavoastră, vă rugăm să consultați secțiunea "Protecția datelor personale"; accesând site-ul nostru la adresa <https://www.beko.ro/>.

Proszę najpierw przeczytać tę instrukcję obsługi!

Szanowny Kliencie,

dziękujemy za wybranie urządzenia marki Beko. Mamy nadzieję, że zakupione urządzenie, wyprodukowane z zapewnieniem wysokiej jakości przy użyciu najnowszych technologii, okaże się w pełni zadowalające. W tym celu przed użyciem urządzenia należy uważnie przeczytać całą instrukcję obsługi oraz dołączone dokumenty i zachować je do wglądu na przyszłość. Przekazując urządzenie innemu użytkownikowi, należy dołączyć również niniejszą instrukcję. Należy postępować zgodnie z instrukcjami, zwracając uwagę na wszystkie informacje i ostrzeżenia zamieszczone w niniejszym dokumencie.

Należy pamiętać, że niniejsza instrukcja może odnosić się także do innych modeli. Różnice pomiędzy modelami są wyraźnie opisane w instrukcji.

Znaczenie symboli

W różnych częściach niniejszej instrukcji obsługi stosowane są następujące symbole:



Ważne informacje i przydatne wskazówki dotyczące użytkowania.



OSTRZEŻENIE: Ostrzeżenia przed niebezpiecznymi sytuacjami zagrażającymi życiu i mieniu.



Niebezpieczeństwo pożaru.



Ostrzeżenie przed porażeniem prądem.



Klasa ochrony przeciwporażeniowej.



1 Ważne instrukcje dotyczące bezpieczeństwa i ochrony środowiska

1.1 Ogólne zasady dotyczące bezpieczeństwa

Ważne zasady dotyczące bezpieczeństwa. Przeczytaj je uważnie i zachowaj na przyszłość. Rozdział ten zawiera instrukcje zachowania bezpieczeństwa, które pomogą chronić się przed ryzykiem pożaru, porażenia prądem elektrycznym, wycieku mikrofal, obrażeniami ciała lub uszkodzeniami w mieniu. Nieprzestrzeganie tych instrukcji spowoduje unieważnienie gwarancji.

- Produkty firmy Beko spełniają wszystkie wymogi stosownych norm bezpieczeństwa. W przypadku jakiegokolwiek uszkodzenia urządzenia lub przewodu zasilającego, aby uniknąć wszelkich zagrożeń, należy oddać je do naprawy lub wymiany przez sprzedawcę, punkt serwisowy lub specjalistę albo autoryzowany serwis. Błędna lub niefachowa naprawa może być niebezpieczna i powodować zagrożenie dla użytkowników.
- To urządzenie jest przeznaczone

do użytku domowego i podobnych zastosowań, na przykład:

- na zapleczu kuchennym przez personel sklepów, biur i innych miejsc pracy;
 - w gospodarstwach rolnych;
 - do użytku przez klientów hoteli i innych obiektów noclegowych;
 - w pensjonatach.
- Urządzenie należy stosować tylko zgodnie z jego przeznaczeniem, w sposób opisany w niniejszej instrukcji.
 - Producent nie ponosi odpowiedzialności za szkody powstałe w wyniku nieprawidłowej instalacji lub niewłaściwego stosowania produktu.
 - Urządzenie może być obsługiwane przez dzieci w wieku 8 lat i starsze, osoby o ograniczonych możliwościach fizycznych, postrzegania lub umysłowych, a także osoby bez doświadczenia lub wiedzy w zakresie obsługi urządzenia, o ile będą one pod nadzorem lub zostaną szczegółowo poinstruowane o bezpiecz-

1 Ważne instrukcje dotyczące bezpieczeństwa i ochrony środowiska

nym korzystaniu z urządzenia i zrozumieją potencjalne zagrożenia.

- Nie należy pozwalać dzieciom bawić się urządzeniem. Dzieci nie mogą czyścić ani konserwować urządzenia bez nadzoru.
- Minimalna odległość pomiędzy powierzchniami podpór garnków znajdującymi się na szczycie kuchenki a najniższą częścią produktu musi wynosić co najmniej 65 cm.
- Jeżeli w instrukcji instalacji gazowej płyty kuchennej podano odległość większą, wówczas należy zastosować wskazaną wartość.
- Zasilanie z domowej sieci elektrycznej musi być zgodne z informacjami podanymi na tabliczce znamionowej urządzenia.
- Urządzenia nie wolno nigdy używać, jeśli przewód zasilający lub samo urządzenie są uszkodzone.
- Aby zapobiec uszkodzeniu przewodu zasilającego, nie wolno dopuścić do jego ściskania, zginania lub ocierania o ostre

krawędzie. Trzymaj przewód zasilający z dala od gorących powierzchni i otwartego ognia.

- Urządzenia można używać tylko wtedy, gdy jest podłączone do gniazda ściennego z uziemieniem.

OSTRZEŻENIE: Podłącz urządzenie do zasilania dopiero po całkowitym zakończeniu montażu.

- Urządzenie ustaw tak, aby zawsze był możliwy dostęp do wtyczki.
- Nie należy dotykać lamp, jeśli były włączone przez długi czas. Grozi to poparzeniem dłoni gorącą żarówką.
- Należy stosować się do wymagań dotyczących odprowadzania powietrza wywiewanego (to ostrzeżenie nie dotyczy sytuacji korzystania z okapu bez przewodu spalinowego).
- Okap należy uruchamiać po ustawieniu garnka, patelni itp. na płycie grzewczej. W przeciwnym wypadku wysoka temperatura może doprowadzić do

1 Ważne instrukcje dotyczące bezpieczeństwa i ochrony środowiska

zniekształcenia niektórych części produktu.

- Okap należy wyłączać przed zdjęciem garnka, patelni itp. z płyty grzewczej.
- Nie pozostawiać rozgrzanego oleju na płycie grzewczej. Garnki z gorącym olejem mogą się zapalić samoczynnie.
- Należy uważać na zasłony i inne elementy osłaniające okna, ponieważ olej może zapalić się samoczynnie podczas smażenia np. frytek.
- Filtr tłuszczu należy wymieniać co najmniej raz w miesiącu. Filtr węglowy należy wymieniać co najmniej raz na 3 miesiące.
- Produkt należy czyścić zgodnie z instrukcją obsługi. Czyszczenie w sposób niezgodny z instrukcją obsługi może prowadzić do ryzyka pożaru.
- Zabrania się stosowania materiałów filtracyjnych nieodpornych na ogień zamiast właściwych filtrów.
- Należy stosować wyłącznie oryginalne lub zalecane przez pro-

ducenta części zamienne.

- Nie uruchamiać produktu bez zamontowanego filtra ani nie wyjmować filtrów z pracującego okapu.
- W razie pojawienia się płomieni odłączyć produkt oraz urządzenia kuchenne od zasilania.
- W razie pojawienia się płomieni przykryć płomień i w żadnym wypadku nie gasić go wodą.
- Przed każdym czyszczeniem urządzenia i gdy nie jest ono używane należy wyjąć wtyczkę z gniazdka ściennego.
- Podciśnienie w otoczeniu nie może przekraczać 4 Pa (4×10 barów) przy równoczesnym działaniu okapu nad elektryczną płytą grzewczą i urządzeń AGD zasilanych elektrycznie prądem o innych parametrach.
- Jeśli w pomieszczeniu, w którym działa okap, są wykorzystywane urządzenia zasilane olejem opałowym lub gazem, jak np. ogrzewacze pomieszczeń, to wylot spalin z takich urządzeń musi być całkowicie odizolowany lub

1 Ważne instrukcje dotyczące bezpieczeństwa i ochrony środowiska

takie urządzenia muszą być hermetyczne.

- Jako przewody spalinowe należy stosować rury o średnicy 120 lub 150 mm. Rura łącząca musi być możliwie jak najkrótsza i mieć jak najmniej kolanek.
- **Niebezpieczeństwo zadławienia!** Wszystkie materiały opakowaniowe należy trzymać z dala od dzieci.

OSTRZEŻENIE: Jeśli jest to okap nad kuchnią, jego wystające części mogą się nagrzewać.

- Wylotu produktu nie wolno przyłączać do kanałów powietrznych, które odprowadzają inny dym.
- Wentylacja w pomieszczeniu może być niewystarczająca w przypadku równoczesnego korzystania z okapu nad elektryczną płytą grzewczą oraz urządzeń zasilanych gazem lub innymi paliwami (niniejsze ostrzeżenie może nie dotyczyć urządzeń, które odprowadzają powietrze z powrotem do pomieszczenia).
- Przedmioty znajdujące się na produkcie mogą spaść. Nie sta-

wiać żadnych przedmiotów na produkcie.

- Nie flambiować bezpośrednio nad urządzeniem.

OSTRZEŻENIE: Przed zamontowaniem okapu usunąć folię ochronną.

- Nie wolno pozostawiać otwartego ognia pod działającym okapem
- Frytkownice trzeba stale obserwować w trakcie użytkowania: przegrzany olej może zająć się płomieniem.

1.2 Zgodność z dyrektywą WEEE i usuwanie odpadów:

Wyrób ten jest zgodny z dyrektywą WEEE Unii Europejskiej (2012/19/UE). Wyrób ten jest oznaczony symbolem klasyfikacyjnym dla zużytego sprzętu elektrycznego i elektronicznego (WEEE).



Ten symbol oznacza, że sprzęt nie może być umieszczany łącznie z innymi odpadami gospodarstwa domowego po okresie jego użytkowania. Zużyte urządzenie należy oddać do specjalnego punktu zbiórki zużytego sprzętu elektrycznego i elektronicznego w celu utylizacji.

Aby uzyskać informacje o punktach zbiórki w swojej okolicy należy skontaktować się z lokalnymi władzami lub punktem sprzedaży tego produktu. Gospodarstwo domowe spełnia ważną rolę w przyczynianiu się do ponownego użycia i odzysku zużytego sprzętu. Odpowiednie postępowanie ze zużytym sprzętem zapobiega potencjalnym negatywnym konsekwencjom.

1 Ważne instrukcje dotyczące bezpieczeństwa i ochrony środowiska

cyjnym dla środowiska naturalnego i ludzkiego zdrowia.

1.3 Zgodność z dyrektywą RoHS

Zakupiony wyrób jest zgodny z dyrektywą RoHS Unii Europejskiej (2011/65/UE). Nie zawiera szkodliwych ani zakazanych materiałów wyszczególnionych w tej Dyrektywie.

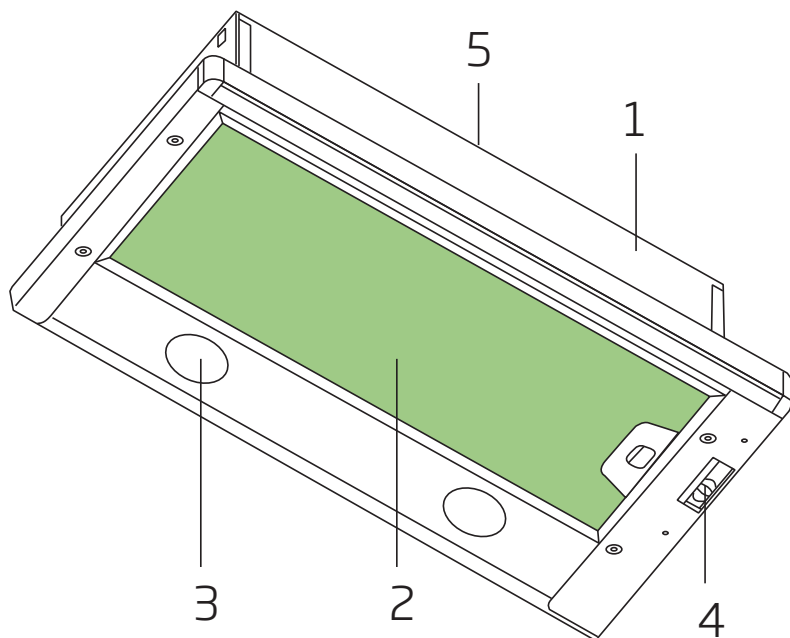
1.4 Informacje o opakowaniu



Materiały, w które opakowany jest produkt zostały wyprodukowane z surowców uzyskanych w procesie recyklingu zgodnie z krajowymi przepisami z zakresu ochrony środowiska. Nie należy utylizować materiałów opakowaniowych wraz z innymi odpadami domowymi. Należy oddać je w jednym z punktów zbiórki materiałów opakowaniowych wyznaczonych przez władze lokalne.

2 Ogólny wygląd

2.1 Przegląd



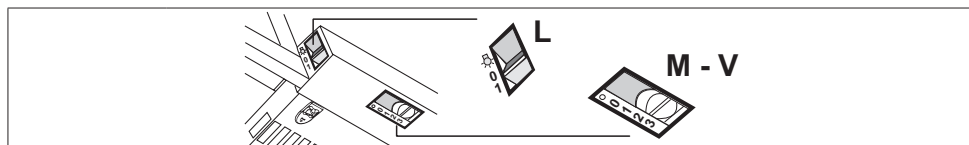
1. Korpus
2. Aluminiowy filtr przeciwłuszczowy
3. Oświetlenie
4. Panel sterowania
5. Komin

2.2 Dane techniczne

Model	CTB 6250 X CTB 6250 B CTB 6250 W CTB 6250 XH	CTB 9250 X CTB 9250 XH
Napięcie zasilające	220-240V ~ 50 Hz	
Moc lampy	2x4 W	
Moc silnika	1 x 140 W	
Przepływ powietrza – 3. Poziom	420 m ³ /h	
Klasa izolacji	Klasa II	

3 Korzystanie z urządzenia

3.1 Panel sterowania



L : Oświetlenie	Włącza i wyłącza oświetlenie.
M : Silnik	Włącza i wyłącza silnik okapu.
V : Prędkość	Pozwala na wybranie prędkości pracy wentylatora: 1. Prędkość niska, przewidziana do stałej i cichej wentylacji kuchni przy niewielkiej ilości oparów. 2. Prędkość średnia, właściwa dla większości panujących podczas gotowania warunków, zapewniająca optymalny stosunek poziomu wentylacji w stosunku do głośności pracy. 3. Prędkość maksymalna, zalecana do usuwania znacznych ilości oparów, również przez dłuższe okresy czasu.

- Okap został zaprojektowany wyłącznie do użytku domowego w celu wyeliminowania zapachów kuchennych.
- Nigdy nie używaj okapu do celów innych niż te, do których został stworzony.
- Nigdy nie zostawiaj dużego ognia bez naczynia pod włączonym okapem..
- Dostosuj intensywność płomienia, aby skierować go tylko na dno garnka, upewniając się, że nie opali boków.
- Podczas pracy frytownice z głębokim tłuszczem muszą być cały czas pilnowane: przegrzany olej może się zapalić.

3.2 Wydajność pracy pod względem energooszczędności Wykorzystanie

- Podczas korzystania z okapu dostosuj ustawienia prędkości do intensywności oparów i zapachu, aby oszczędzać energię.
- Używaj niskich prędkości (1-2) w normalnych warunkach i wysokich prędkości (3) przy silnym zapachu i intensywnych oparach.
- Lampy w okapie są umieszczone w celu oświetlenia kuchenki.
- Wykorzystanie ich do oświetlenia otoczenia powoduje niepotrzebne wydatki na energię i zapewnia niewystarczające oświetlenie.
- Aby urządzenie zużywało mniej energii, należy je eksploatować z niską prędkością.
- Urządzenie będzie zużywać mniej energii, ponieważ będzie pracować wydajniej, gdy zapewnimy mu wystarczający dopływ powietrza.
- W przypadkach, w których wiadomo, że pojawi się gęsta para, należy ustawić urządzenie na poziom intensywnej siły ssania przed utworzeniem się pary. W ten sposób można zmniejszyć zużycie energii, używając urządzenia przez krótszy czas, ponieważ będzie ono miało wystarczający dopływ powietrza.
- Pokrywy garnków powinny być zamknięte, aby ograniczyć powstawanie pary.

3 Korzystanie z urządzenia

3.3 Instrukcje użytkowania

- Twoje urządzenie posiada silnik, który pracuje z różnymi prędkościami.
- Aby uzyskać lepszą wydajność, zalecamy stosowanie niskich prędkości w normalnych warunkach i dużych prędkości w przypadkach silnego zapachu i intensywnych oparów.
- Możesz uruchomić urządzenie, naciskając przycisk żądanego ustawienia prędkości. (V1, V2, V3)
- Możesz podświetlić powierzchnię gotowania włączając lampę (L).

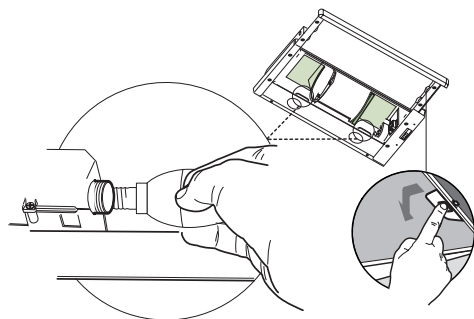
3.4 Wymiana lampy




- Przed wymianą żarówek odłącz okap od zasilania.
- Nie dotykaj gorących żarówek.
- Uważaj, aby nie dotknąć wymienianej żarówki bezpośrednio rękami.



Należy zamawiać lampy od autoryzowanych przedstawicieli serwisowych.

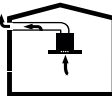


Żarówka	
Moc żarówki	4 W
Uchwyt/gniazdo	E14
Napięcie żarówki	220 - 240 V

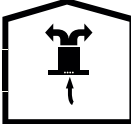
Kod ILCOS	D R B B / F - 4 - 2 2 0 - 240-E14-35/100
Wymiary	35x100 mm
Strumień świetlny	400 lm
Skorelowana temperatura barwowa	3000 K

Ten produkt zawiera źródło światła o klasie efektywności energetycznej "F".

3.5 Praca z odprowadzaniem spalin

-  Opary są odprowadzane przez kanał spalinowy, który jest przymocowany do głowicy przyłączeniowej na okapie.
- Średnica kanału spalinowego musi być taka sama jak pierścienia przyłączeniowego. W ustawieniach poziomych rura musi mieć niewielkie nachylenie do góry (około 10°), aby powietrze mogło łatwo opuścić pomieszczenie.

3.6 Praca bez odprowadzania spalin

-  Powietrze jest filtrowane przez filtr węglowy i recykulowane w pomieszczeniu. Filtr węglowy stosuje się, gdy nie można skorzystać z przewodu kominowego w domu.
- W przypadku zastosowania bez odprowadzania spalin, usuń kłapy wewnątrz adaptera do przewodu kominowego.
- Wyjmij filtr olejowy. Aby zainstalować filtr węglowy, dopasuj filtr do wypustek, wyśrodkowując go na plastikowym elemencie po obu stronach korpusu wentylatora. Dokręć, obracając w prawo lub w lewo.
- Wymień aluminiowy filtr oleju.

4 Czyszczenie i konserwacja

Urządzenie należy regularnie czyścić i konserwować. Nieutrzymywanie urządzenia w czystości będzie miało negatywny wpływ na jego żywotność. Podczas czyszczenia i konserwacji należy postępować zgodnie z instrukcjami podanymi w instrukcji.



Przed czyszczeniem i konserwacją należy odłączyć urządzenie od zasilania lub wyłączyć główny wyłącznik lub poluzować bezpiecznik zasilający okap.



Nieprzestrzeganie zaleceń związanych z czyszczeniem urządzenia i wymianą filtrów może spowodować ryzyko pożaru. Dlatego zaleca się przestrzeganie podanych tu wskazówek. Producent nie ponosi odpowiedzialności za uszkodzenia silnika lub pożary powstałe w wyniku niewłaściwego użytkowania.

Czyścić tylko szmatką zwilżoną neutralnym detergentem. Nie czyść za pomocą narzędzi lub instrumentów. Nie używaj produktów ściernych. Nie używaj alkoholu

4.1 Czyszczenie aluminiowego filtra przeciwłuszczowego

Filtr wychwytuje cząsteczki oleju w powietrzu. Zaleca się czyszczenie filtra co miesiąc przy normalnych warunkach użytkowania. Najpierw wyjmij filtry przeciwłuszczowe. Umyj filtry detergentem, opłucz je wodą i zamontuj ponownie po wyschnięciu. Aluminiowe filtry przeciwłuszczowe mogą się odbarwić podczas mycia; jest to normalne i nie musisz zmieniać filtra.



Filtr przeciwłuszczowy można myć w zmywarce

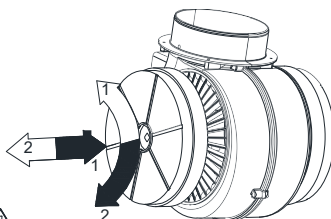


UWAGA: W przypadku normalnego użytkowania wyczyść filtr raz na miesiąc.

4.2 Wymiana filtra węglowego (tryb cyrkulacji powietrza)

Okap może być wyposażony w filtr z węglem aktywnym. Filtr węglowy jest stosowany tylko wtedy, gdy okap nie jest podłączony do kanału wentylacyjnego.

În momentul înlocuirii filtrului de carbon, fiți atent la tipul de turbină utilizată.



Symbol → Montarea filtrului
Symbol ← Demontarea filtrului

OSTRZEŻENIE



- Filtru węglowego się nie myje.
- W każdym razie konieczna jest wymiana filtra węglowego co najmniej co 3 miesiące.
- Filtr węglowy jest dostępny w autoryzowanych serwisach.

5 Ustawienie urządzenia



OSTRZEŻENIE: Przed ustawieniem przeczytaj instrukcje bezpieczeństwa.



OSTRZEŻENIE: Niezainstalowanie śrub lub elementu mocującego zgodnie z niniejszą instrukcją może spowodować zagrożenie elektryczne.

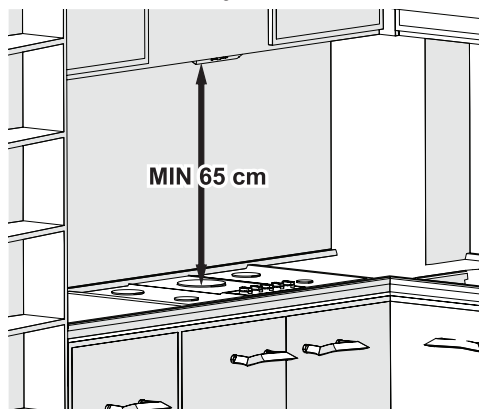


Instrukcja instalacji znajduje się na stronie 266.

Aby zainstalować okap, skontaktuj się z najbliższym autoryzowanym serwisem.

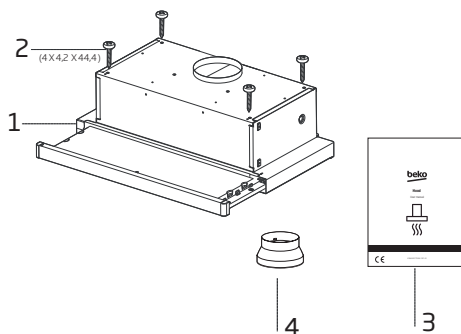
Obowiązkiem klienta jest przygotowanie lokalizacji i instalacji elektrycznej okapu.

5.1 Pozycja urządzenia



- Przed montażem należy wziąć pod uwagę odległość między kuchenką a okapem kuchennym. Odległość ta powinna wynosić 65cm.
- W przypadku kuchenek gazowych odległość należy zmierzyć od powierzchni rusztu, lub od szklanej powierzchni kuchenek elektrycznych.

5.2 Instalacja akcesoriów



1. Produkt
2. Śruburbi 4 X 4,2 X 44,4
3. Instrukcja obsługi
4. 1 x adaptor evacuate din plastic Ø120/150 mm

5.3 Przechowywanie

- Jeśli urządzenie nie będzie używane przez dłuższy czas, należy je starannie przechowywać.
- Przed podniesieniem urządzenia odłącz je od zasilania i pozwól całkowicie ostygnąć.
- Przechowuj urządzenie i jego akcesoria w ich oryginalnych opakowaniach.
- Urządzenie należy przechowywać w chłodnym, suchym miejscu.
- Urządzenie należy trzymać poza zasięgiem dzieci.

5.4 Przenoszenie i transport

- Urządzenie należy przenosić i transportować w oryginalnym opakowaniu. Zabezpiecza ono urządzenie przed fizycznymi uszkodzeniami.
- Nie wolno umieszczać ciężkich ładunków na urządzeniu lub opakowaniu. Może to spowodować uszkodzenie urządzenia.
- Upuszczenie urządzenia może spowodować jego awarię lub trwałe uszkodzenie.

6 Rozwiązywanie problemów

Rozwiązywanie problemów	Problem	Pomoc
Produkt nie działa.	Sprawdź bezpiecznik.	Bezpiecznik może być zablokowany, napraw to.
Produkt nie działa.	Sprawdź połączenie elektryczne.	Napięcie sieciowe powinno wynosić między 220-240 V.
Produkt nie działa.	Sprawdź połączenie elektryczne.	Sprawdź, czy inne przedmioty w Twojej kuchni działają, czy nie.
Oświetlenie nie działa.	Sprawdź połączenie elektryczne.	Napięcie sieciowe powinno wynosić między 220-240 V.
Oświetlenie nie działa.	Sprawdź włącznik oświetlenia.	Powinien się znajdować w pozycji „ON”
Oświetlenie nie działa.	Sprawdź lampy.	Lampy nie powinny być uszkodzone.
Pobór powietrza jest słaby.	Sprawdź filtr przeciwłuszczy. filtr	Aluminiowy filtr przeciwłuszczy należy czyścić co najmniej raz w miesiącu przy normalnym użytkowaniu.
Pobór powietrza jest słaby.	Sprawdź kanał wentylacyjny.	Powinien się znajdować w pozycji „ON”
Pobór powietrza jest słaby.	Sprawdź filtr węglowy.	W przypadku produktów z filtrami węglowymi filtr należy wymieniać co 3 miesiące.

Drodzy Klienci,

Dziękujemy za zakup naszych produktów. Jesteśmy przekonani, że nasze urządzenia będą służyć przez lata. Każdy produkt firmy Beko jest objęty 2-letnim okresem gwarancji.

Warunki gwarancji Beko S.A- (małe urządzenia AGD)

BEKO spółka akcyjna z siedzibą w Warszawie (02-819), przy ulicy Puławskiej 366, wpisana do rejestru przedsiębiorców prowadzonego przez Sąd Rejonowy dla m.st. Warszawy w Warszawie, XIII Wydział Gospodarczy Krajowego Rejestru Sądowego, pod numerem: 0000078147 (dalej: „BEKO”) udziela gwarancji jakości (dalej: „Gwarancja”) na wprowadzone przez BEKO do obrotu na terenie Polski produkty marki BEKO (dalej: „Urządzenia”) osobom, które nabyły te produkty („Użytkownik”) na następujących warunkach:

I. ZAKRES OCHRONY.

BEKO gwarantuje, że Urządzenie zakupione przez Użytkownika jest wolne od wad produkcyjnych lub materiałowych, powstałych z przyczyn tkwiących w tym Urządzeniu (dalej: „Wada”), które ujawnią się w ciągu terminu określonego w części II. niniejszych Warunków Gwarancji (dalej: „Okres Gwarancyjny”).

W razie ujawnienia się Wady Produktu w trakcie Okresu Gwarancyjnego, zostanie ona usunięta na koszt BEKO w sposób uzależniony od właściwości wady, na zasadach i w zakresie określonym w niniejszych Warunkach Gwarancji.

BEKO zobowiązuje się do usunięcia Wady poprzez dokonanie nieodpłatnej naprawy lub wymiany Urządzenia, bądź też reklamacja zgłoszona na podstawie niniejszych Warunków Gwarancji zostanie rozpoznana w inny sposób uzgodniony przez BEKO i Użytkownika.

Udzielona gwarancja jest ważna na terytorium Rzeczypospolitej Polskiej.

II. CZAS TRWANIA GWARANCJI.

Okres Gwarancyjny wynosi 24 miesiące licząc od daty zakupu Urządzenia przez pierwszego Użytkownika.

III. PROCEDURA ZGŁOSZENIA REKLAMACYJNEGO.

Wady Urządzenia ujawnione w Okresie Gwarancyjnym będą usuwane pod warunkiem przedstawienia przez Użytkownika dowodu zakupu tego Urządzenia zawierającego oznaczenia niezbędne do jego identyfikacji (model, datę zakupu).

Uprawnienia wynikające z niniejszych Warunków Gwarancji mogą być zrealizowane przez Użytkownika wyłącznie w Autoryzowanych Punktach Serwisowych BEKO (dalej: „Serwis”) po uprzednim dokonaniu zgłoszenia na Infolinii BEKO pod numerem telefonu: 222501414. Urządzenie powinno być odpowiednio zapakowane i zabezpieczone przez Użytkownika na czas transportu do punktu serwisowego Beko.

Wady Urządzenia będą usunięte w terminie 14 dni od daty zgłoszenia Wady na Infolinii BEKO.

Jeżeli część zamienna wymieniana w ramach uprawnień wynikających z niniejszych Warunków Gwarancji Urządzenia jest sprowadzana z zagranicy, termin naprawy, o którym

mowa w punkcie 5 powyżej, może ulec wydłużeniu jednak, nie więcej niż do 30 dni licząc odpowiednio od daty zgłoszenia Wady na Infolinii BEKO. Informacje o spodziewanych terminach napraw dostępne są na Infolinii BEKO pod numerem 222501414. Po usunięciu Wady, Urządzenie zostanie dostarczone Użytkownikowi na koszt BEKO.

IV. WYŁĄCZENIA.

Warunkiem skorzystania z niniejszych Warunków Gwarancji jest:

użytkowanie Urządzenia zgodnie z Instrukcją Obsługi dołączoną do tego Urządzenia i jego przeznaczeniem, jak również odpowiednie czyszczenie i konserwację Urządzenia;

użytkowanie w warunkach indywidualnego gospodarstwa domowego. Urządzenie nie jest używane do celów prowadzenia działalności gospodarczej lub w zastosowaniach eksploatacji masowej, w szczególności w gastronomicznej działalności hoteli, restauracji i innych obiektów turystyczno-rekreacyjnych lub zbiorowego żywienia. stosowanie osprzętu zalecanego przez producenta; brak ingerencji w Urządzenie przez osoby do tego nieupoważnione; brak ingerencji w tabliczkę znamionową z numerem seryjnym Urządzenia. Udzielona przez Beko Gwarancja nie obejmuje:

wad powstałych z przyczyn innych niż tkwiące w Urządzeniu;

normalnego zużycia elementów eksploatacyjnych tj. akumulatory, baterie, noże, filtry, żarówki, szczotki, itp.;

czynności przewidzianych w Instrukcji Obsługi, do wykonania których zobowiązany jest Użytkownik Urządzenia we własnym zakresie i na swój koszt, w tym: instruktażu dotyczącego obsługi Urządzenia, instalacji oraz regulacji urządzenia.

usterek powstałych w wyniku nieprawidłowego lub niewłaściwego użytkowania, niedbalstwa, przypadkowego uszkodzenia Urządzenia, nieodpowiedniego napięcia prądu lub dokonania jakichkolwiek zmian, które mają wpływ na niewłaściwe działanie Urządzenia, i które naprawiane były przez osoby nieupoważnione, używania instalacji niezgodnych z odpowiednimi Polskimi Normami i innych niż wymienione w Instrukcji Obsługi Urządzenia;

uszkodzeń mechanicznych, termicznych, chemicznych, korozji, innych uszkodzeń spowodowanych działaniem lub zaniedbaniem Użytkownika lub powstałych na skutek działania sił zewnętrznych (do których zalicza się w szczególności wyładowania atmosferyczne, skoki napięcia, wszystkiego rodzaju awarie domowej instalacji wodno-kanalizacyjnej, itp.), a także powstałych na skutek przedostania się zanieczyszczeń lub ciał obcych do Urządzenia, zakamienienia (proces odkamieniania musi być przeprowadzany zgodnie z instrukcją obsługi z użyciem odpowiednich środków czyszczących) elementów ze szkła, plastiku oraz porcelany; odbarwień Urządzenia lub poszczególnych jego części;

usterek powstałych na skutek przechowywania i użytkowania Urządzenia w warunkach, które są niezgodne z normalnymi warunkami domowymi określonymi wymaganiami powszechnie obowiązujących przepisów prawa i odpowiednich Polskich Norm;

V. POZOSTAŁE POSTANOWIENIA.

Niniejsze warunki gwarancji mają zastosowanie do Urządzeń zakupionych od dnia 01.03.2019 r. Gwarant oświadcza, że niniejsza Gwarancja jest udzielana Użytkownikowi dodatkowo i nie wyłącza, nie ogranicza ani nie zawiesza uprawnień Użytkownika wynikających z przepisów o rękojmi za wady rzeczy sprzedanej na podstawie Kodeksu cywilnego.

Παρακαλούμε διαβάστε πρώτα αυτές τις οδηγίες χρήσης!

Αξιότιμε πελάτη μας,

Ευχαριστούμε για την προτίμησή σας σε αυτή τη συσκευή Beko. Ελπίζουμε να έχετε τα καλύτερα αποτελέσματα από τη συσκευή της εταιρείας μας, η οποία έχει κατασκευαστεί με υψηλή ποιότητα και τεχνολογία αιχμής. Για το λόγο αυτόν, διαβάστε στην ολότητά τους και προσεκτικά αυτό το εγχειρίδιο χρήσης καθώς και όλα τα άλλα συνοδευτικά έγγραφα πριν χρησιμοποιήσετε αυτή τη συσκευή και φυλάξτε τη σαν αναφορά για μελλοντική χρήση. Αν παραδώσετε τη συσκευή σε κάποιον άλλον, παραδώστε και αυτό το εγχειρίδιο χρήσης. Ακολουθήστε τις οδηγίες προσέχοντας όλες τις πληροφορίες και τις προειδοποιήσεις που θα βρείτε στο εγχειρίδιο χρήσης.

Να έχετε υπόψη σας ότι αυτό το εγχειρίδιο χρήσης μπορεί να έχει εφαρμογή και σε άλλα μοντέλα. Οι διαφορές μεταξύ των μοντέλων περιγράφονται ρητά στο εγχειρίδιο.

Σημασία των Συμβόλων

Τα σύμβολα που ακολουθούν χρησιμοποιούνται σε διάφορες ενότητες αυτού του εγχειριδίου χρήσης:



Σημαντικές πληροφορίες και χρήσιμες συμβουλές σχετικά με τη χρήση.



ΠΡΟΕΙΔΟΠΟΙΗΣΗ: Προειδοποιήσεις σχετικά με επικίνδυνες καταστάσεις σχετικά με την ασφάλεια της ζωής και της περιουσίας.



Προειδοποίηση για κίνδυνο φωτιάς.



Προειδοποίηση για ηλεκτροπληξία.



Κλάση προστασίας από ηλεκτροπληξία.



1 Σημαντικές οδηγίες σχετικά με την ασφάλεια και το περιβάλλον

1.1 Γενικά για την ασφάλεια

Σημαντικές Οδηγίες Ασφαλείας Διαβάστε τις Προσεκτικά και Φυλάξτε τις για Μελλοντική Αναφορά. Η ενότητα αυτή περιέχει οδηγίες ασφαλείας που θα βοηθήσουν στην προστασία από κίνδυνο φωτιάς, ηλεκτροπληξίας, έκθεσης σε διαρροή ενέργειας μικροκυμάτων, τραυματικό ή υλικές ζημιές. Η μη τήρηση των οδηγιών αυτών θα καταστήσει άκυρη κάθε εγγύηση.

- Τα προϊόντα Beko συμμορφώνονται με τα εφαρμοστέα πρότυπα ασφαλείας. Επομένως, σε περίπτωση οποιασδήποτε ζημιάς στη συσκευή ή στο καλώδιο ρεύματος, η επισκευή τους θα πρέπει να γίνεται από την αντιπροσωπεία, ένα κέντρο σέρβις ή ένα εξειδικευμένο και εξουσιοδοτημένο σέρβις,

για την αποφυγή κάθε κινδύνου. Τυχόν λανθασμένα ή ακατάλληλα εργασία επισκευής μπορεί να είναι επικίνδυνη και να προκαλέσει κίνδυνο στον χρήστη.

- Αυτή η συσκευή προορίζεται να χρησιμοποιείται σε οικιακές και παρόμοιες εφαρμογές, όπως:
 - Περιοχές κουζίνας προσωπικού για καταστήματα, γραφεία και άλλα περιβάλλοντα εργασίας.
 - Αγροικίες.
 - Από πελάτες σε ξενοδοχεία, και άλλα περιβάλλοντα οικιακού τύπου.
 - Περιβάλλοντα τύπου ενοικιαζόμενου δωματίου με πρβινό.
- Χρησιμοποιείτε τη συσκευή μόνο για την προβλεπόμενη χρήση της όπως αυτή περιγράφεται στο παρόν εγχειρίδιο.

1 Σημαντικές οδηγίες σχετικά με την ασφάλεια και το περιβάλλον

- Ο κατασκευαστής δεν μπορεί να θεωρηθεί υπεύθυνος για οποιεσδήποτε ζημιές προκληθούν από ακατάλληλη εγκατάσταση ή κακή χρήση του προϊόντος.
- Αυτή η συσκευή μπορεί να χρησιμοποιηθεί από παιδιά από 8 ετών και άνω και από άτομα με μειωμένες σωματικές, αντιληπτικές ή διανοητικές ικανότητες ή με έλλειψη εμπειρίας και γνώσης, αν τους έχει δοθεί επιτήρηση ή εκπαίδευση σχετικά με την ασφαλή χρήση της συσκευής και κατανοούν τους ενεχόμενους κινδύνους.
- Τα παιδιά δεν πρέπει να επιτρέπεται να παίζουν με τη συσκευή. Ο καθαρισμός και η συντήρηση από το χρήστη δεν θα πρέπει να γίνεται από παιδιά χωρίς επίβλεψη.
- Η ελάχιστη απόσταση ανάμεσα στην επιφάνεια υποστήριξης για τα σκεύη μαγειρέματος στην εστία μαγειρέματος και στην κάτω πλευρά του προϊόντος πρέπει να είναι τουλάχιστον 65 cm.
- Αν οι οδηγίες εγκατάστασης της εστίας αερίου καθορίζουν μεγαλύτερη απόσταση, αυτό πρέπει να ληφθεί υπόψη.
- Βεβαιωθείτε ότι η παροχής σας ρεύματος δικτύου συμμορφώνεται με τις πληροφορίες που παρέχονται στην πινακίδα στοιχείων της συσκευής.
- Σε καμία περίπτωση μη χρησιμοποιήσετε τη συσκευή αν το καλώδιο ρεύματος ή η ίδια η συσκευή έχει υποστεί ζημιά.
- Προστατεύετε το καλώδιο ρεύματος από ζημιά, με το να μην το συμπιέζετε, λυγίζετε ή αφήνετε να τρίβεται πάνω σε αιχμηρές ακμές. Κρατάτε το καλώδιο ρεύματος μακριά από καυτές επιφάνειες και

1 Σημαντικές οδηγίες σχετικά με την ασφάλεια και το περιβάλλον

γυμνή φλόγα.

- Χρησιμοποιείτε τη συσκευή μόνο με γειωμένη πρίζα.

ΠΡΟΕΙΔΟΠΟΙΗΣΗ: Μη συνδέσετε τη συσκευή στο ρεύμα δικτύου μέχρι να ολοκληρωθεί πλήρως η εγκατάστασή της.

- Τοποθετήστε τη συσκευή με τρόπο ώστε το φως της να είναι πάντα προσβάσιμο.
- Μην αγγίζετε τους λαμπτήρες αν έχουν λειτουργήσει για πολλή ώρα. Μπορεί να κάψουν τα χέρια σας, γιατί θα βρίσκονται σε υψηλή θερμοκρασία.
- Τηρείτε τους κανονισμούς που εκδίδουν οι αρμόδιες αρχές σχετικά με την εξαγωγή του εξαγόμενου αέρα (αυτή η προειδοποίηση δεν ισχύει σε περίπτωση χρήσης χωρίς αγωγό εξαγωγής αέρα).
- Χρησιμοποιείτε τη συσκευή σας μόνο αφού

τοποθετήσετε πάνω στην εστία μια κατσαρόλα, ένα τηγάνι κλπ. Διαφορετικά, η υψηλή θερμότητα μπορεί να προκαλέσει την παραμόρφωση ορισμένων μερών του προϊόντος.

- Απενεργοποιείτε την εστία πριν αφαιρέσετε την κατσαρόλα, το τηγάνι κλπ. από την εστία.
- Μην αφήνετε καυτό λάδι πάνω στην εστία. Τα τηγάνια με καυτό λάδι μπορούν να προκαλέσουν αυτανάφλεξη.
- Προσέχετε τις κουρτίνες και τα καλύμματά σας επειδή το λάδι μπορεί να αναφλεγεί όταν μαγειρεύετε φαγητά όπως πατάτες.
- Το φίλτρο λίπους πρέπει να αντικαθίσταται τουλάχιστον κάθε μήνα. Το φίλτρο άνθρακα πρέπει να αντικαθίσταται τουλάχιστον κάθε 3 μήνες.
- Το προϊόν θα πρέπει να καθαρίζεται σύμφωνα με

1 Σημαντικές οδηγίες σχετικά με την ασφάλεια και το περιβάλλον

- τις οδηγίες στο εγχειρίδιο χρήσης. Αν ο καθαρισμός δεν πραγματοποιήθηκε σύμφωνα με το εγχειρίδιο χρήσης, ενδέχεται να υπάρξει κίνδυνος φωτιάς.
- Μη χρησιμοποιείτε υλικά filtraρίσματος που δεν είναι ανθεκτικά στη φωτιά, αντί για το τρέχον φίλτρο.
 - Χρησιμοποιείτε μόνο γνήσια ανταλλακτικά ή ανταλλακτικά που συνιστά ο κατασκευαστής.
 - Μη χρησιμοποιείτε το προϊόν χωρίς το φίλτρο και μην αφαιρείτε τα φίλτρα ενώ είναι σε λειτουργία το προϊόν.
 - Σε περίπτωση ανάφλεξης, απενεργοποιήστε το προϊόν και τις συσκευές μαγειρέματος.
 - Σε περίπτωση ανάφλεξης, καλύψτε τη φλόγα και ποτέ μη χρησιμοποιήσετε νερό για να τη σβήσετε.
 - Αποσυνδέετε τη συσκευή πριν από κάθε καθαρισμό και όταν δεν χρησιμοποιείται η συσκευή.
 - Η αρνητική πίεση στο χώρο της συσκευής δεν πρέπει να υπερβαίνει τα 4 Pa (4 x 10 bar) ενώ λειτουργούν ταυτόχρονα ο απορροφητήρας για την ηλεκτρική εστία και συσκευές που λειτουργούν με άλλο τύπο ενέργειας.
 - Στον χώρο όπου χρησιμοποιείται η συσκευή, η εξαγωγή αερίων από συσκευές που λειτουργούν με αέριο ή πετρέλαιο, όπως σόμπα δωματίου πρέπει να είναι πλήρως απομονωμένη ή η συσκευή πρέπει να είναι ερμητικού τύπου.
 - Όταν συνδέετε τον αγωγό εξαγωγής αέρα, χρησιμοποιείτε σωλήνες διαμέτρου 120 ή 150 mm. Η σωλήνωση πρέπει να είναι όσο το δυνατόν μικρότερου μήκους και να έχει όσο το δυνατόν μικρότερες γωνίες.

1 Σημαντικές οδηγίες σχετικά με την ασφάλεια και το περιβάλλον

- **Κίνδυνος ασφυξίας!** Κρατάτε όλα τα υλικά συσκευασίας μακριά από παιδιά.

ΠΡΟΣΟΧΗ: Προσπελάσιμα μέρη της συσκευής μπορεί να αποκτήσουν υψηλή θερμοκρασία κατά τη χρήση με συσκευές μαγειρέματος.

- Η έξοδος του προϊόντος δεν πρέπει να συνδέεται με αγωγούς αέρα στους οποίους υπάρχουν άλλα απαέρια.
- Όταν ο απορροφητήρας για ηλεκτρική κουζίνα χρησιμοποιείται ταυτόχρονα με άλλες συσκευές που χρησιμοποιούν αέριο ή άλλα καύσιμα, ενδέχεται να μην είναι επαρκής ο αερισμός στο δωμάτιο (ίσως να μην ισχύει για συσκευές που εξαγάγουν τον αέρα πάλι στο δωμάτιο).
- Αντικείμενα που τοποθετούνται πάνω στο προϊόν μπορεί να πέσουν. Μην τοποθετείτε κανένα αντι-

κείμενο πάνω στο προϊόν.

- Μην παρασκευάζετε φαγητά με συνταγές φλαμπέ κάτω από το προϊόν.

ΠΡΟΕΙΔΟΠΟΙΗΣΗ: Πριν εγκαταστήσετε τον απορροφητήρα, αφαιρέστε τις προστατευτικές μεμβράνες.

- Ποτέ μην αφήνετε ψηλές γυμνές φλόγες κάτω από τον απορροφητήρα, όταν αυτός βρίσκεται σε λειτουργία
- Τα σκεύη τηγανίσματος με πολύ λάδι ή λίπος πρέπει να επιτηρούνται συνεχώς κατά τη χρήση: αν το λάδι υπερθερμανθεί μπορεί να αναφλεγεί.

1.2 Συμμόρφωση με την Οδηγία περί αποβλήτων ηλεκτρικού και ηλεκτρονικού εξοπλισμού (ΑΗΗΕ) και τελική διάθεση του προϊόντος:

Το προϊόν αυτό συμμορφώνεται με την Οδηγία της Ευρωπαϊκής Ένωσης περί αποβλήτων ηλεκτρικού και ηλεκτρονικού εξοπλισμού (ΑΗΗΕ) (2012/19/ΕΕ). Το προϊόν φέρει σύμβολο ταξινόμησης για απόβλητα ηλεκτρικού και ηλεκτρονικού εξοπλισμού (ΑΗΗΕ).

1 Σημαντικές οδηγίες σχετικά με την ασφάλεια και το περιβάλλον



Αυτό το σύμβολο υποδεικνύει ότι το προϊόν αυτό δεν πρέπει να απορριφθεί μαζί με τα υπόλοιπα οικιακά απορρίμματα στο τέλος της ωφέλιμης ζωής του. Η χρησιμοποιημένη συσκευή πρέπει να επιστραφεί σε επίσημο σημείο συλλογής για ανακύκλωση ηλεκτρικών και ηλεκτρονικών συσκευών. Για να βρείτε αυτά τα σημεία συλλογής επικοινωνήστε με τις τοπικές σας αρχές ή με το κατάστημα όπου αγοράσατε το προϊόν. Κάθε νοικοκυριό παίζει σημαντικό ρόλο στην ανάκτηση και την ανακύκλωση παλιών συσκευών. Η σωστή απόρριψη της χρησιμοποιημένης συσκευής συμβάλλει στην αποτροπή ενδεχόμενων αρνητικών συνεπειών για το περιβάλλον και την ανθρώπινη υγεία.

συλλογής υλικών συσκευασίας που έχουν καθοριστεί από τις τοπικές αρχές.

1.3 Συμμόρφωση με την Οδηγία περί περιορισμού χρήσης ορισμένων επικίνδυνων ουσιών (RoHS):

Το προϊόν που έχετε προμηθευτεί συμμορφώνεται με την Οδηγία της Ευρωπαϊκής ένωσης περί περιορισμού χρήσης ορισμένων επικίνδυνων ουσιών (RoHS) (2011/65/ΕΕ). Δεν περιέχει επικίνδυνα και απαγορευμένα υλικά που ορίζονται στην Οδηγία.

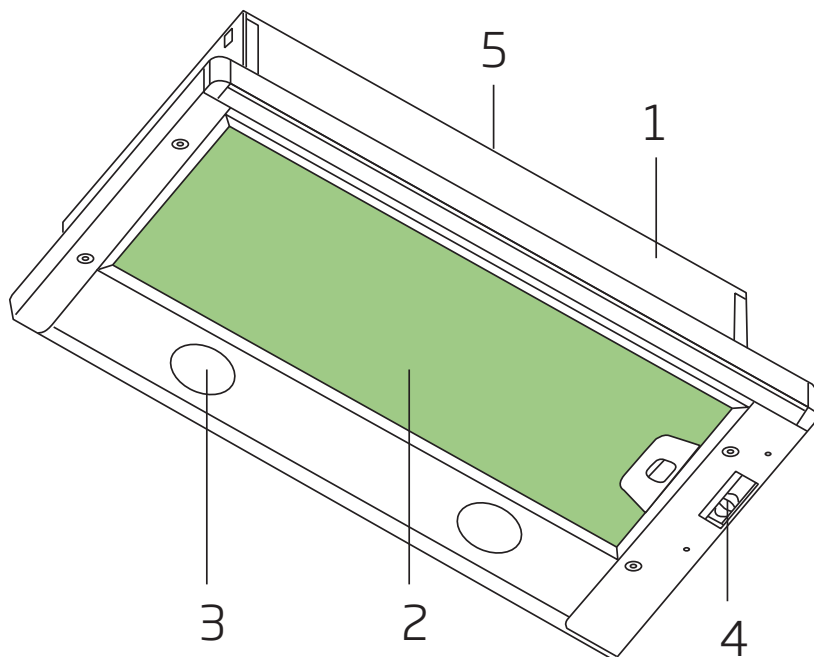
1.4 Πληροφορίες σχετικά με τη συσκευασία



Τα υλικά συσκευασίας του προϊόντος είναι κατασκευασμένα από ανακυκλώσιμα υλικά σύμφωνα με τους εθνικούς μας κανονισμούς προστασίας του περιβάλλοντος. Μην απορρίψετε τα υλικά συσκευασίας μαζί με τα οικιακά ή άλλα απορρίμματα. Παραδώστε τα στα σημεία

2 Γενική Εμφάνιση

2.1 Γενική άποψη



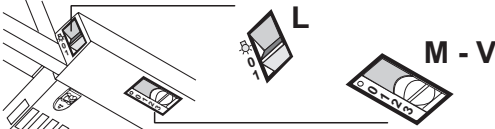
1. Κυρίως σώμα
2. Αλουμιένιο φίλτρο γράσου
3. Φωτισμός
4. Πίνακας ελέγχου
5. Αγωγός εξαγωγής αέρα

2.2 Τεχνικά δεδομένα

Μοντέλο	CTB 6250 X CTB 6250 B CTB 6250 W CTB 6250 XH	CTB 9250 X CTB 9250 XH
Τάση τροφοδοσίας	220-240V ~ 50 Hz	
Ισχύς λαμπτήρων	2x4 W	
Ισχύς κινητήρα	1 x 140 W	
Ροή αέρα – 3ο Επίπεδο	420 m ³ /h	
Κλάση μόνωσης	ΚΛΑΣΗ II	

3 Χρήση της συσκευής

3.1 Πίνακας ελέγχου

	
L : Φωτισμός	Ανάβει και σβήνει το φως.
M : Μοτέρ	Ανάβει και σβήνει το μοτέρ αναρρόφησης.
V : Ταχύτητα	Επιλέγει την ταχύτητα λειτουργίας: 1. Ελάχιστη ταχύτητα, κατάλληλη για ιδιαίτερα αθόρυβη και συνεχή εναλλαγή του αέρα, με λίγους ατμούς από το μαγείρεμα. 2. Μέση ταχύτητα, κατάλληλη για την πλειοψηφία των συνθηκών χρήσης, με άριστη σχέση παροχής επεξεργασμένου αέρα και στάθμης θορύβου. 3. Μέγιστη ταχύτητα, κατάλληλη για μεγάλη παραγωγή ατμών από το μαγείρεμα, ακόμη και για μεγάλο χρονικό διάστημα.

- Ο απορροφητήρας έχει σχεδιαστεί αποκλειστικά για οικιακή χρήση, για να απομακρύνει τις οσμές της κουζίνας.
- Ποτέ μη χρησιμοποιείτε τον απορροφητήρα για σκοπούς διαφορετικούς από αυτούς για τους οποίους σχεδιάστηκε.
- Ποτέ μην αφήνετε ψηλές γυμνές φλόγες κάτω από τον απορροφητήρα, όταν αυτός βρίσκεται σε λειτουργία.
- Ρυθμίζετε την ένταση της φλόγας ώστε αυτή να κατευθύνεται μόνο στην κάτω επιφάνεια του δοχείου, εξασφαλίζοντας ότι δεν επεκτείνεται στα πλάγια.
- Τα σκεύη τηγανίσματος με πολύ λάδι ή λίπος πρέπει να επιτηρούνται συνεχώς κατά τη χρήση: αν το λάδι υπερθερμανθεί μπορεί να αναφλεγεί.

3.2 Ενεργειακά αποδοτική χρήση

- Όταν χρησιμοποιείτε τον απορροφητήρα, ρυθμίστε το επίπεδο ταχύτητας ανάλογα με το βαθμό επιβάρυνσης με οσμές και ατμούς, ώστε να αποφεύγετε άσκοπη κατανάλωση ενέργειας.
- Χρησιμοποιείτε χαμηλές ταχύτητες (1-2) σε κανονικές συνθήκες, και υψηλή ταχύτητα (3) όταν υπάρχει έντονη παραγωγή οσμών και ατμών.
- Οι λαμπτήρες στον απορροφητήρα προορίζονται για φωτισμό της περιοχής μαγειρέματος.
- Η χρήση τους για περιβαλλοντικό φωτισμό ή φωτισμό της κουζίνας θα επιφέρει άσκοπη κατανάλωση ενέργειας και ανεπαρκή φωτισμό.
- Για να καταναλώνει η συσκευή σας λιγότερη ενέργεια, χρησιμοποιείτε την σε χαμηλό επίπεδο ταχύτητας.
- Η συσκευή σας θα έχει μειωμένη κατανάλωση ενέργειας όταν της παρέχετε επαρκή εισαγωγή αέρα, επειδή θα λειτουργεί πιο αποδοτικά.
- Σε περιπτώσεις που γνωρίζετε ότι θα παραχθεί πυκνός ατμός, ρυθμίζετε τη συσκευή σας σε επίπεδο ισχύος εντατικής αναρρόφησης πριν τον σχηματισμό του

3 Χρήση της συσκευής

ατμού. Με αυτόν τον τρόπο, μειώνετε την κατανάλωση ενέργειας χρησιμοποιώντας τη συσκευή σας για συντομότερο χρόνο, αφού θα έχετε επαρκή εισαγωγή αέρα.

- Διατηρείτε τα καπάκια των μαγειρικών σκευών κλειστά, για να μειώνετε τη δημιουργία ατμού.

3.3 Χειρισμός του απορροφητήρα

- Ο απορροφητήρας είναι εξοπλισμένος με κινητήρα ο οποίος διαθέτει έναν αριθμό ρυθμίσεων ταχύτητας.
- Για καλύτερες επιδόσεις σας συνιστούμε να χρησιμοποιείτε χαμηλές ταχύτητες σε κανονικές συνθήκες, και υψηλές ταχύτητας όταν υπάρχει έντονη παραγωγή οσμών και ατμών.
- Μπορείτε να θέσετε σε λειτουργία τον απορροφητήρα πατώντας το επιθυμητό πλήκτρο επιπέδου ταχύτητας (V1, V2, V3).
- Μπορείτε να φωτίσετε την περιοχή μαγειρέματος πατώντας το κουμπί φωτισμού. (L)

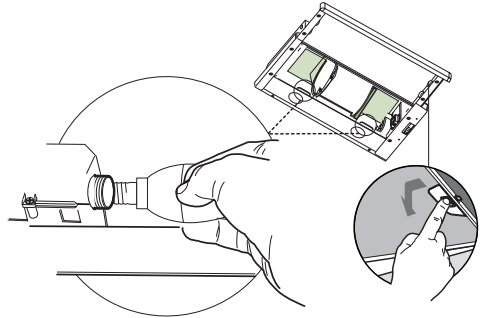
3.4 Αντικατάσταση λαμπτήρα



- Πριν αντικαταστήσετε τους λαμπτήρες, αποσυνδέστε την τροφοδοσία ρεύματος του απορροφητήρα.
- Μην αγγίζετε τους λαμπτήρες όταν βρίσκονται σε υψηλή θερμοκρασία.
- Προσέχετε να μην αγγίζετε απευθείας με τα χέρια τους λαμπτήρες που αντικαθιστάτε.



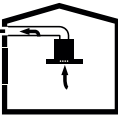
Μπορείτε να προμηθευτείτε λαμπτήρες από εξουσιοδοτημένους εκπροσώπους σέρβις.



Βολτός	
Ισχύς λαμπτήρα	4 W
Στήριγμα / Πρίζα	E14
Τάση λαμπτήρα	220 - 240 V
Κωδικός ILCOS	DRBB/F-4-220-240-E14-35/100
Μέγεθος	35x100 mm
Φωτεινή ροή	400 lm
Συσχετισμένη θερμοκρασία χρώματος	3000 K

Αυτό το προϊόν περιέχει μια φωτεινή πηγή κλάσης ενεργειακής απόδοσης "F".

3.5 Χρήση με σύνδεση αγωγού εξαγωγής

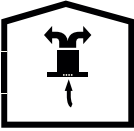
-  Οι ατμοί απομακρύνονται μέσω του σωλήνα αγωγού εξαγωγής ο οποίος στερεώνεται στην κεφαλή

3 Χρήση της συσκευής

σύνδεσης πάνω στον απορροφητήρα.

- Η διάμετρος του σωλήνα αγωγού εξαγωγής θα πρέπει να είναι ίση με τη διάμετρο του δακτυλίου σύνδεσης. Για να μπορεί να απομακρύνεται εύκολα ο αέρας από τον χώρο σε περιπτώσεις οριζόντιας διάταξης του αγωγού, ο σωλήνα πρέπει να έχει ελαφρά κλίση προς τα πάνω (περίπου 10°).

3.6 Χρήση χωρίς συνδεδεμένο αγωγό εξαγωγής

-  Ο αέρας φιλτράρεται από το φίλτρο άνθρακα και επιστρέφει στο δωμάτιο. Το φίλτρο άνθρακα χρησιμοποιείται όταν δεν

υπάρχει αγωγός εξαγωγής στο σπίτι.

- Αν ο απορροφητήρας πρόκειται να χρησιμοποιηθεί χωρίς σύνδεση αγωγού εξαγωγής, αφαιρέστε τους εκτροπείς από το εσωτερικό του προσαρμογέα αγωγού εξαγωγής.
- Αφαιρέστε το αλουμινένιο φίλτρο. Για να εγκαταστήσετε το φίλτρο άνθρακα, κεντράρετε το φίλτρο άνθρακα στο πλαστικό εξάρτημα και στις δύο πλευρές του κορμού ανεμιστήρα, και στερεώστε το πάνω στις ειδικές προεξοχές. Στερεώστε το φίλτρο περιστρέφοντας τις προεξοχές προς τα δεξιά ή αριστερά.
- Εγκαταστήστε το αλουμινένιο φίλτρο.

4 Καθαρισμός και συντήρηση

Η συσκευή θα πρέπει να καθαρίζεται και να συντηρείται τακτικά. Η μη τήρηση της καθαριότητας τη συσκευής θα επηρεάσει αρνητικά τη διάρκεια ζωής της συσκευής. Για τον καθαρισμό και τη συντήρηση, ακολουθείτε τις οδηγίες που αναφέρονται στο εγχειρίδιο.



Πριν τον καθαρισμό και τη συντήρηση, αποσυνδέστε τη συσκευή από την πρίζα ή απενεργοποιήστε τον γενικό διακόπτη ή λασκάρετε την ασφάλεια που τροφοδοτεί τον απορροφητήρα.



Η μη συμμόρφωση με τις οδηγίες σχετικά με τον καθαρισμό της συσκευής και την αντικατάσταση των φίλτρων μπορεί να επιφέρει κίνδυνο φωτιάς. Επομένως συνιστάται να ακολουθείτε τις οδηγίες που αναφέρονται εδώ. Ο κατασκευαστής δεν φέρει καμία ευθύνη για ζημιές κινητήρα ή φωτιές που προκύπτουν από ακατάλληλη χρήση.

Καθαρίζετε μόνο με ένα πανί που έχει υγρανθεί ελαφρά με ένα ουδέτερο υγρό απορρυπαντικό. Μην καθαρίζετε με εργαλεία ή όργανα. Μην χρησιμοποιείτε προϊόντα που χαράζουν. Μην χρησιμοποιείτε οινόπνευμα

4 Καθαρισμός και συντήρηση

4.1 Καθαρισμός του αλουμινένιου φίλτρου λίπους

Αυτό το φίλτρο κατακρατεί τα σωματίδια λαδιού από τον αέρα. Συνιστάται να καθαρίζετε το φίλτρο κάθε μήνα, υπό κανονικές συνθήκες χρήσης. Για τη διαδικασία αυτή, πρώτα αφαιρέστε τα φίλτρα λίπους. Πλύνετε τα φίλτρα με υγρό απορρυπαντικό, ξεβγάλετέ τα με νερό και εγκαταστήστε τα πάλι αφού στεγνώσουν. Μπορεί το χρώμα των αλουμινένιων φίλτρων λίπους να αλλοιωθεί καθώς πλένονται - αυτό είναι φυσιολογικό και δεν χρειάζεται να αντικαταστήσετε το φίλτρο για το λόγο αυτό.

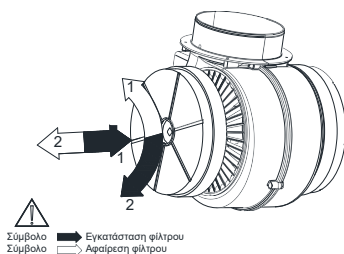


Μπορείτε να πλένετε το αλουμινένιο φίλτρο σε πλυντήριο πιάτων



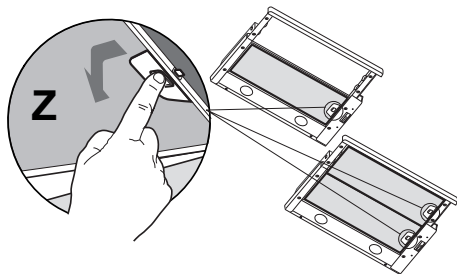
ΠΡΟΣΟΧΗ: Πρέπει να αντικαθίστανται σε περιόδους περίπου 1 μήνες.

Όταν αντικαθιστάτε το φίλτρο άνθρακα προσέξτε τον τύπο ανεμιστήρα που χρησιμοποιείται.



ΠΡΟΕΙΔΟΠΟΙΗΣΗ

- Το φίλτρο άνθρακα δεν επιτρέπεται ποτέ να πλυθεί.
- Σε κάθε περίπτωση, απαιτείται αντικατάσταση του φίλτρου άνθρακα το αργότερο κάθε τρεις μήνες.
- Το φίλτρο άνθρακα είναι διαθέσιμο από τα εξουσιοδοτημένα σέρβις.



4.2 Αλλαγή φίλτρου άνθρακα (λειτουργία ανακυκλοφορίας του αέρα)

Ο απορροφητήρας μπορεί να είναι εξοπλισμένος με φίλτρο ενεργού άνθρακα. Το φίλτρο άνθρακα έχει εφαρμογή μόνο αν ο απορροφητήρας δεν έχει συνδεθεί σε αγωγό εξόδου αέρα.

5 Εγκατάσταση της συσκευής



ΠΡΟΕΙΔΟΠΟΙΗΣΗ:
Παρακαλούμε να διαβάσετε τις οδηγίες ασφαλείας πριν την εγκατάσταση.



ΠΡΟΕΙΔΟΠΟΙΗΣΗ: Η μη εγκατάσταση βιδών ή διατάξεων στερέωσης σύμφωνα με τις παρούσες οδηγίες, μπορεί να επιφέρει ηλεκτρικούς κινδύνους.

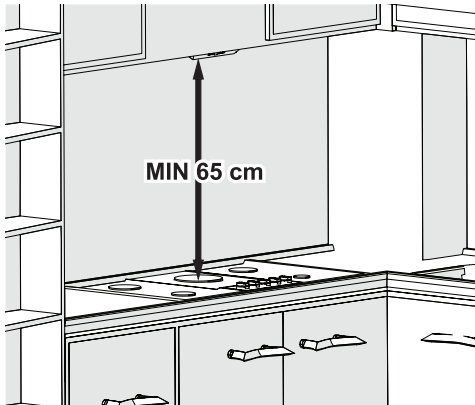


Παρακαλούμε ανατρέξτε στη σελίδα 266 για τις οδηγίες εγκατάστασης

Παρακαλούμε συμβουλευτείτε τον πλησιέστερό σας εξουσιοδοτημένο εκπρόσωπο σέρβις για την εγκατάσταση του απορροφητήρα σας.

Η προετοιμασία της θέσης και της ηλεκτρικής εγκατάστασης για το προϊόν αποτελούν ευθύνη του πελάτη.

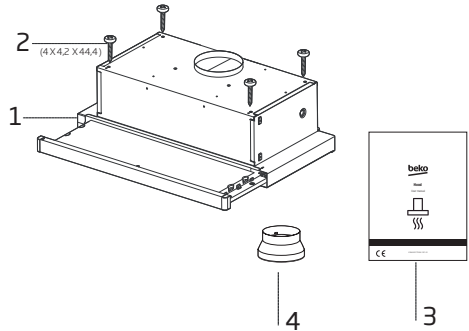
5.1 Θέση της συσκευής



- Η απόσταση ανάμεσα στην κάτω επιφάνεια του απορροφητήρα και την πάνω επιφάνεια της πλάκας εστιών θα πρέπει να είναι τουλάχιστον 65 cm.

- Η απόσταση πρέπει να μετράται από την επιφάνεια της σχάρας για κουζίνες υγραερίου, από επιφάνεια γυαλιού για ηλεκτρικές κουζίνες.

5.2 Εξαρτήματα εγκατάστασης



1. Απορροφητήρας
2. 4 X 4,2 X 44,4 βίδες
3. Εγχειρίδιο χρήσης
- 4.1 τεμ. πλαστικός προσαρμογέας αγωγού εξαγωγής Ø120/150 mm

5.3 Αποθήκευση

- Αν δεν σκοπεύετε να χρησιμοποιήσετε τη συσκευή για μεγάλο χρονικό διάστημα, αποθηκεύστε την προσεκτικά.
- Αποσυνδέστε τη συσκευή από την πρίζα και περιμένετε να κρυώσει τελείως πριν την αποθηκεύσετε.
- Αποθηκεύστε τη συσκευή σε δροσερό και στεγνό μέρος.
- Κρατάτε τη συσκευή μακριά από παιδιά.

5.4 Μετακίνηση και μεταφορά

- Μεταφέρετε τη συσκευή στην αρχική της συσκευασία κατά τη μετακίνηση και μεταφορά της. Η συσκευασία της συσκευής την προστατεύει από φυσι-

5 Εγκατάσταση της συσκευής

κές ζημιές.

- Μην τοποθετείτε βαριά αντικείμενα πάνω στη συσκευή ή στη συσκευασία. Η συσκευή μπορεί να υποστεί ζημιά.
- Τυχόν πτώση της συσκευής μπορεί να την καταστήσει μη λειτουργική ή να της προκαλέσει μόνιμη ζημιά.

6 Αντιμετώπιση προβλημάτων

Αντιμετώπιση προβλημάτων	Αιτία	Διορθωτική ενέργεια
Το προϊόν δεν λειτουργεί.	Ελέγξτε την ασφάλειά σας.	Η ασφάλειά σας μπορεί να έπεσε, ενεργοποιήστε την.
Το προϊόν δεν λειτουργεί.	Ελέγξτε την ηλεκτρική σύνδεση.	Η τάση ρεύματος δικτύου θα πρέπει να είναι 220-240 V.
Το προϊόν δεν λειτουργεί.	Ελέγξτε την ηλεκτρική σύνδεση.	Ελέγξτε αν οι άλλες συσκευές στην κουζίνα σας λειτουργούν ή όχι.
Η λάμπα φωτισμού δεν λειτουργεί.	Ελέγξτε την ηλεκτρική σύνδεση.	Η τάση ρεύματος δικτύου θα πρέπει να είναι 220-240 V.
Η λάμπα φωτισμού δεν λειτουργεί.	Ελέγξτε τον διακόπτη της λάμπας.	Ο διακόπτης της λάμπας πρέπει να είναι στη θέση "ενεργοποίησης".
Η λάμπα φωτισμού δεν λειτουργεί.	Ελέγξτε τις λάμπες.	Οι λάμπες του προϊόντος δεν πρέπει να έχουν βλάβη.
Η αναρρόφηση αέρα στο προϊόν είναι ανεπαρκής.	Ελέγξτε το αλουμινένιο φίλτρο.	Το αλουμινένιο φίλτρο λαδιού θα πρέπει να καθαρίζεται τουλάχιστον μία φορά το μήνα υπό κανονικές συνθήκες.
Η αναρρόφηση αέρα στο προϊόν είναι ανεπαρκής.	Ελέγξτε τον αγωγό εξαγωγής αέρα.	Ο αγωγός εξαγωγής αέρα θα πρέπει να είναι ρυθμισμένος στην "ενεργοποιημένη" θέση.
Η αναρρόφηση αέρα στο προϊόν είναι ανεπαρκής.	Ελέγξτε το φίλτρο άνθρακα.	Για προϊόντα με φίλτρα άνθρακα, το φίλτρο θα πρέπει κανονικά να αλλάζεται κάθε 3 μήνες.

Моля, първо прочетете ръководството за употреба!

Уважаеми клиенти,

Благодарим Ви, че избрахте този уред на Веко. Надяваме се да получите отлични резултати от нашия уред, произведен от висококачествени материали по най-модерна технология. Затова, преди да преминете към употребата на уреда, Ви молим първо да прочетете цялото ръководство за употреба, както и другата придружителна документация и да ги запазите за справка в бъдеще. Ако уредът смени собственика си в бъдеще, то предайте и ръководството за употреба заедно с уреда. Следвайте указанията, като обръщате внимание на цялата информация и предупреждения в инструкцията за употреба.

Не забравяйте, че това ръководство за употреба може да се отнася за няколко различни модела. Разликите между моделите са описани подробно в ръководството.

Значение на символите

В различните раздели на ръководството са използвани следните символи:



Важна информация и полезни съвети при употреба.



ПРЕДУПРЕЖДЕНИЕ: Предупреждения срещу опасни ситуации относно здравето и собствеността.



ПРЕДУПРЕЖДЕНИЕ: Предупреждение за опасност от пожар.



ПРЕДУПРЕЖДЕНИЕ: Предупреждение за опасност от токов удар.



ПРЕДУПРЕЖДЕНИЕ: Защитен клас за токов удар.



1 Важни инструкции за безопасност и опазване на околната среда

1.1 Обща безопасност

Важни инструкции за безопасност Прочетете внимателно и ги запазете за бъдеща справка

Този раздел съдържа инструкции за безопасност, които ще ви помогнат да се защитите от риск от пожар, електрически удар, излагане на утечка от микровълнова енергия; нараняване или повреди на собствеността. Неспазването на инструкциите прави всяка гаранция невалидна.

- Продуктите Веко съответстват на приложимите стандарти за безопасност; ето защо, в случай на повреда по уреда или хранващия кабел, той трябва да бъде ремонтиран или сменен от дилър, сервизен център или специалист и оторизиран

сервиз с цел избягване на всякакви опасности. Погрешен или неквалифициран ремонт може да доведе до опасност и риск за потребителя.

- Уредът е предназначен за битова употреба и подобни приложения като:
 - Кухненски зони за персонала в магазини, офиси и други работни среди;
 - Фермерски къщи
 - От клиенти в хотели и други видове жилищни среди,
 - Места за нощувка със закуска.
- Използвайте уреда само по предназначение, както е описано в това ръководство.
- Производителят не носи отговорност за повреди в резултат на неправилен монтаж или неправилна употреба на продукта.

1 Важни инструкции за безопасност и опазване на околната среда

- Този уред може да бъде използван от деца над 8 години и лица с ограничени физически, сензорни или умствени способности или такива, без необходимия опит и познания, ако същите са надзиравани или инструктирани относно употребата на уреда по безопасен начин и са наясно със свързаните рискове.
 - На децата не трябва да се позволява да играят с уреда. Почистването и поддръжката на уреда не трябва да се извършват от деца без надзора на възрастен.
 - Минималното разстояние между носещата повърхност за готварските съдове на котлоните и долната част на Вашия продукт трябва да бъде най-малко 65 см.
 - Ако инструкциите за монтаж на газовия котлон посочват по-голямо разстояние, това трябва да бъде взето под внимание.
 - Проверете дали данните за вашето местно електрозахранване отговарят на информацията върху табелката с данни.
 - Никога не използвайте уреда, ако захранващият кабел или самия уред е повреден.
 - За да избегнете риска от повреда на захранващия кабел, внимавайте да не го притискате, огъвате или търкате в остри ръбове. Дръжте захранващия кабел далеч от нагорещени повърхности и открит пламък.
 - Използвайте уреда само със заземени контакти.
- ПРЕДУПРЕЖДЕНИЕ:** Не свързвайте уреда към електрическата мрежа

1 Важни инструкции за безопасност и опазване на околната среда

докато монтажът не е напълно приключил.

- Разположете уреда по такъв начин, че щепселът винаги да е достъпен.
- Не пипайте лампите ако са работили дълго време. Тъй като са горещи, могат да Ви изгорят ръцете.
- Следвайте наредбите, определени от компетентните органи относно освобождаването на отработения въздух (това предупреждение не се прилага при употреба без вентилационна тръба).
- Работете с Вашия уред след като поставите тенджерата, тиган и т.н. на котлона. В противен случай, топлината може да предизвика деформиране на някои части на Вашия продукт.
- Изключете котлона преди да отстраните тенджерата, тигана и т.н. от него.
- Не оставяйте гореща мазнина на котлона. Тигани с гореща мазнина могат да предизвикат самозапалване.
- Внимавайте с Вашите пердета и покривки, тъй като мазнината може да се възпламени докато приготвяте храна като пържени картофи.
- Филтърът за мазнини трябва да бъде подменян поне веднъж месечно. Филтърът с активен въглен трябва да бъде подменян поне един път на 3 месеца.
- Продуктът трябва да се почиства според инструкциите в ръководството за употреба. Ако почистването не е извършено според инструкциите в ръководството за употреба,

1 Важни инструкции за безопасност и опазване на околната среда

- може да съществува риск от пожар.
- Не използвайте неогнеупорни филтърни материали вместо настоящия филтър.
- Използвайте само оригинални части или такива, препоръчани от производителя.
- Не работете с продукта без филтъра и не отстранявайте филтрите, докато продуктът работи.
- В случай на поява на някакъв пламък, прекъснете захранването на Вашия продукт и на другите готварски уреди.
- В случай на поява на някакъв пламък, покрийте пламъка и никога не използвайте вода, за да го загасите.
- Изключвайте уреда преди всяко почистване и когато не го използвате.
- Отрицателното налягане в околната среда не трябва да превишава 4 Па (4 x 10 бара) докато абсорбаторът за електрически котлон и други уреди работят заедно, захранвани от друг вид енергия, освен електричество.
- В околната среда, където се използва абсорбатора, отработеният въздух от устройствата, захранвани с газ или течно гориво, като например стайна печка, трябва да бъде напълно изолиран или устройството да бъде от херметически изолиран вид.
- Когато свързвате към вентилацията, използвайте тръби с диаметър 120 или 150 мм. Тръбната връзка трябва да бъде възможно най-къса и да има възможно най-малък брой чупки.

1 Важни инструкции за безопасност и опазване на околната среда

Има опасност от задушаване! Дръжте опаковъчните материали далеч от достъпа на деца.

ВНИМАНИЕ: Достъпните части могат да се нагорещат ако се използват заедно с уред за готвене.

- Изходът на продукта не трябва да е свързан с въздухопроводи, в които се извежда друг дим.
- Вентилацията в стаята трябва да бъде оскъдна, когато абсорбаторът за електрически котлон се използва едновременно с устройства, работещи на газ или други горива (това би могло да не се прилага за уреди, които само освобождават въздуха обратно в стаята).
- Поставените върху продукта предмети може да паднат. Не поставяйте никакви предмети върху уреда.
- не фламбирайте под

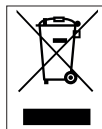
Вашия уред.

ПРЕДУПРЕЖДЕНИЕ: Преди да монтирате абсорбатора отстранете защитното фолио.

- Не оставяйте висок пламък да гори под абсорбатора когато е включен
- Съдовете в които се пържи с много мазнина трябва да бъдат постоянно следени при употреба: прегрялото олио може да се възпламени.

1.2 Съответствие с директивата WEEE и Изхвърляне на отпадъчните продукти:

Уредът съответства на европейската директива WEEE. (2012/19/EU). Този продукт притежава класификационен символ за отпадъчно електрическо и електронно оборудване (WEEE).



Този символ указва, че продуктът не бива да се изхвърля с други битови отпадъци в края на експлоатационния си живот. Използваното устройство трябва да бъде върнато в официален пункт за събиране и рециклиране на електрически и електронни устройства. За да откриете тези пунктове за събиране, моля обърнете се към местния орган или търговецът, от

1 Важни инструкции за безопасност и опазване на околната среда

който е закупен продуктът. Всяко домакинство играе важна роля във възстановяването и рециклирането на стар уред. Правилното изхвърляне на използвани уреди спомага за предотвратяването на потенциални негативни последици върху околната среда и човешкото здраве.

1.3 Съответствие с Директива RoHS

Закупеният от вас продукт съответства на европейската директива RoHS (2011/65/EU). Не съдържа вредни и забранени материали. Директива.

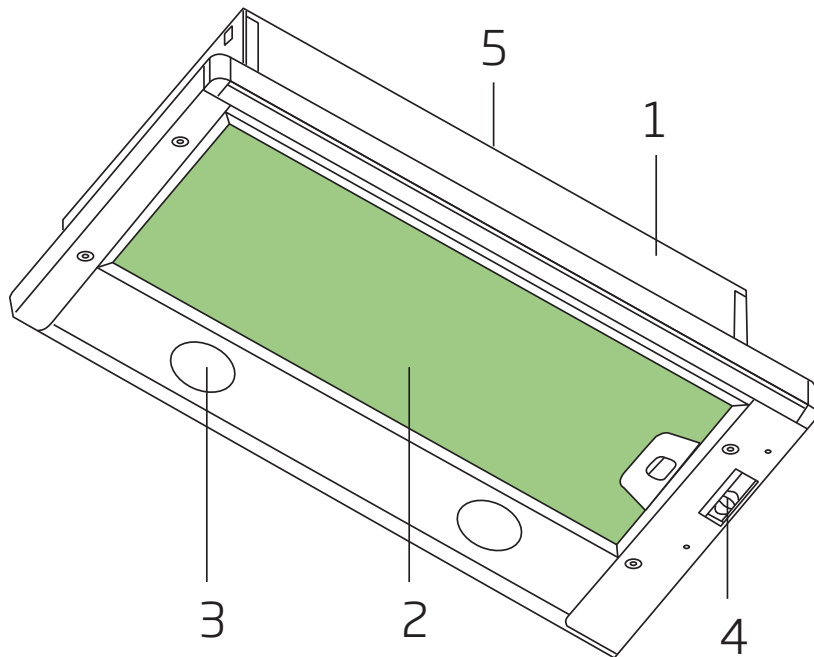
1.4 Информация за опаковката



Опаковъчните материали на продукта са произведени от рециклируеми материали в съответствие с нашите Национални наредби за околната среда. Не изхвърляйте опаковъчните материали заедно с битовите и други отпадъци. Отнесете ги в пунктове за събиране на опаковъчни материали, посочени от местните власти.

2 Общ Външен Вид

2.1 Преглед



1. Основно тяло
2. Алюминиев мазен филтър
3. Осветление
4. Контролен панел
5. Комин

2.2 Технически данни

Модел	СТВ 6250 X СТВ 6250 B СТВ 6250 W СТВ 6250 XH	СТВ 9250 X СТВ 9250 XH
Захранващо напрежение	220-240V ~ 50 Hz	
Мощност на лампата	2x4 W	
Мощност на двигателя	1 x 140 W	
Въздушен поток - 3. Нив	420 m ³ / h	
Клас на изолация	КЛАС II	

3 Използване на Уреда

3.1 Контролен панел

	
L : Осветление	Включва и изключва осветлението.
M : Мотор	Включва и изключва мотора на екстрактора.
V : Скорост	Задава работната скорост на екстрактора: 1. Ниска скорост, използва се за непрекъснат и безшумен обмен на въздух в присъствието на леки изпарения при готвене. 2. Средна скорост, подходяща за повечето режими на работа, като се има предвид оптималното съотношение отработен въздушен поток /ниво на шума. 3. Максимална скорост, използва се за елиминирание на най-високите емисии изпарения при готвене, включително за дълги периоди.

- Аспираторът е предназначен изключително за домашна употреба за премахане на миризмите в кухнята.
- Никога не използвайте аспираторът за цели, различни от тези за които е проектиран.
- Никога не оставяйте висок открит пламък под аспиратора, когато работи.
- Регулирайте интензитета на пламъка, за да го насочите само към дъното на тигана, като внимавате да не погълне страните.
- Фритюрниците с дълбока мазнина трябва да се наблюдават непрекъснато по време на употреба: прегрятото масло може да избухне в пламъци.

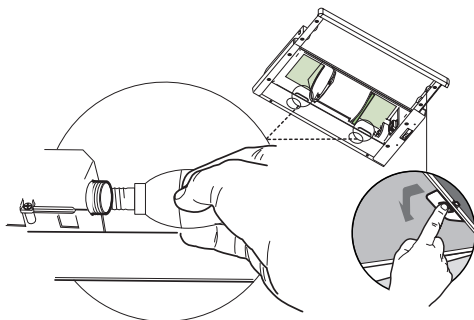
3.2 Енергоефективна Работа в Условието на Икономия Употреба

- Когато използвате вашия уред, регулирайте настройките на скоростта според силата на изпарения и миризма, за да спестите енергия.
- Използвайте ниски скорости (1-2) при нормални условия и високи скорости (3) за интензивна миризма и пара.
- Лампите на аспиратора са поставени за осветяване на зоната за готвене.
- Използването им за осветление на околната среда ще доведе до ненужни разходи на енергия и недостатъчно осветление.
- За да може устройството Ви да консумира по-малко енергия, работете на ниска скорост.
- Вашето устройство ще намали консумацията на енергия, тъй като ще работи по-ефективно, когато му осигурите достатъчен приток на въздух.
- Настройте устройството на ниво на интензивно всмукване преди форми-

3 Използване на Уреда

рането на пара, в случаите, когато знаете, че ще се появи интензивна пара. По този начин намалявате потреблението на енергия, като използвате устройството за по-кратко време, тъй като то ще има достатъчен приток на въздух.

- Дръжте капациите на готварските съдове затворени, за да намалите отделянето на пара.



3.3 Инструкции за експлоатация

- Вашият уред съдържа мотор с различни скорости.
- За по-добри показатели препоръчваме да използвате ниски скорости при нормални условия и високи скорости в случаи на силни миризми и интензивни пари.
- Можете да стартирате вашия уред, като натиснете бутона за настройка на желаната скорост. (V1,V2,V3)
- Можете да осветите зоната за готвене, като натиснете лампата (L)

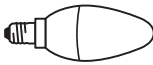
3.4 Подмяна на лампата



- Преди да смените електрическите крушки, изключете захранването на аспиратора.
- Не докосвайте крушките, когато са горещи.
- Внимавайте да не докосвате подменената крушка директно с ръце.



Можете да закупите лампи от Оторизирани Сервизни Агенти.

Крушка	
Мощност на Крушката	4 W
Държач / Фасунга	E14
Напрежение на Крушката	220 - 240 V
ILCOS Код	DRBB/F-4-220-240-E14-35/100
Размер	35x100 mm
Светлинен поток	400 lm
Корелирана цветна температура	3000 K

Този продукт съдържа източник на светлина с клас на енергийна ефективност "F".

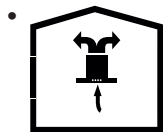
3.5 Управление чрез Димоотводна Връзка

-  Парата се извлича през димоотвода, който се закрепва към свързващата глава на аспиратора.
- Диаметърът на димоотвода трябва да е същият като свързващото ядро. При хоризонтални

3 Използване на Уреда

настройки тръбата трябва да има лек наклон нагоре (около 10 °), така че въздухът да излиза лесно от помещението.

3.6 Управление без Димоотводна Връзка



Въздухът се филтрира през въглеродния филтър и се рециркулира в помещението. Въглеродният филтър се използва, когато е невъзможно да се

използва димоотвод в къщата.

- При употреба без димоотвод извадете капаците от димоотводния адаптер.
- Извадете масления филтър. За да инсталирате въглеродния филтър, поставете филтъра върху разделите, като го центрирате върху пластмасовото парче от двете страни на тялото на вентилатора, затегнете го, като завъртите наляво.
- Сменете алуминиевия маслен фил

4 Почистване и поддръжка

Устройството трябва да бъде почиствано и поддържано редовно. Ако не поддържате устройството чисто, това ще се отрази неблагоприятно на експлоатационния му живот. За почистване и поддръжка следвайте инструкциите, посочени в ръководството.



Преди почистване и поддръжка изключете уреда или изключете главния изключвател или разхлабете предпазителя, който захранва аспиратора.



Неспазването на правилата, свързани с почистването на устройството и смяната на филтрите, може да доведе до риск от пожар. Следователно е препоръчително да следвате посочените в този документ указания. Производителят не носи отговорност за повреди на мотора или пожари, възникнали в резултат на неправилна употреба.

Почиствайте само с кърпа, навлажнена с неутрален течен препарат. Не почиствайте с инструменти. Не използвайте абразивни продукти. Не употребявайте алкохол

4.1 Почистване на алуминий Филтър за мазнини

Този филтър улавя маслени частици във въздуха. Препоръчва се да почиствате филтъра си всеки месец при нормални условия на употреба.

4 Почистване и поддръжка

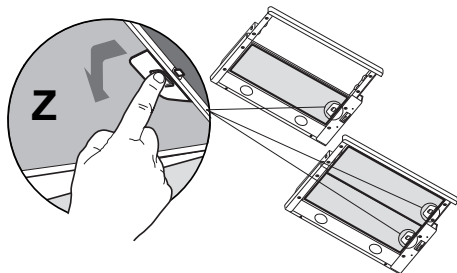
Първо премахнете филтрите за мазнини за този процес. Измийте филтрите с течен препарат, изплакнете ги с вода и ги поставете обратно, след като изсъхнат. Алуминиевите филтри за мазнини могат да бъдат обезцветени при измиването им; това е нормално и няма нужда да сменяте филтъра си.



Можете също да измивате алуминиевите маслени филтри в пералнята.



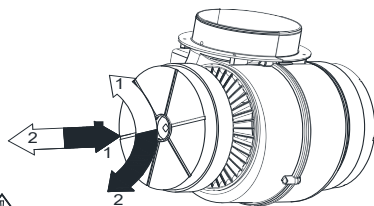
ВНИМАНИЕ: В случай на нормална употреба, почиствайте алуминиевите маслени филтри веднъж месечно.



4.2 Смяна на въглероден филтър (режим на циркулация на въздуха)

Аспираторът може да бъде снабден с въглероден филтър. Въглеродният филтър се прилага само в случай, че аспираторът не е свързан към вентилационния канал.

При подмяна на въглеродния филтър обърнете внимание на вида на използваната турбина.



Символ → Инсталиране на филтър
Символ ← Разглобяване на филтъра

ВНИМАНИЕ



- Карбоновият филтър никога не трябва да се мие.
- Сменяйте въглеродните филтри веднъж на всеки 3 месеца.
- Можете да закупите въглеродния филтър от оторизирани търговци.

5 Настройка на устройството



ВНИМАНИЕ: Преди да започнете монтажа, прочетете информацията за безопасност в Ръководството за потребителя.



ВНИМАНИЕ: Ако не инсталирате винтовете или фиксиращото устройство в съответствие с тези инструкции, това може да доведе до опасност свързана с електричеството.

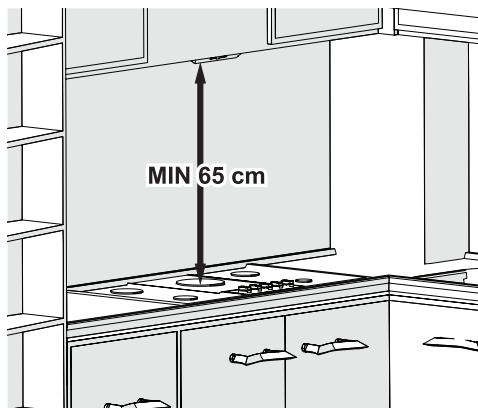


Моля, вижте страница 266 от ръководството за инсталиране

За монтажа на аспиратора се свържете с най-близкия оторизиран сервиз.

Отговорност на клиента е да подготви местоположението и електрическата инсталация на аспиратора.

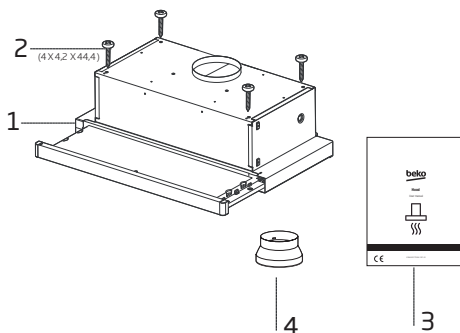
5.1 Положение на Уреда



• Преди монтажа трябва да се вземе предвид разстоянието между печката и аспиратора. Това разстояние трябва да бъде 65 см.

• При газови печки, разстоянието трябва да бъде измерено от повърхността на решетката, И от повърхността на стъклото за електрически печки.

5.2 Аксесоари за инсталиране



1. Абсорбатор
2. 4 X 4,2 X 44,4 Винтове
3. Ръководство за употреба
4. 1 x Ø120 / 150 мм пластмасов адаптер за димоотвод

5.3 Съхранение

- Ако не възнамерявате да използвате уреда за продължителен период от време, моля съхранете го внимателно.
- Моля, уверете се, че уредът е изключен от контакта, охладен и напълно сух.
- Съхранявайте уреда на хладно и сухо място.
- Дръжте уреда далеч от деца.

5 Настройка на устройството

5.4 Манипулиране и транспортиране

- По време на работа и транспортиране носете уреда в оригиналната му опаковка. Опаковката на уреда го предпазва от физически повреди.
- Не поставяйте тежки товари върху уреда или опаковката. Уредът може да се повреди.
- Изпускането на уреда ще го направи неработещо или ще причини трайни повреди.

6 Отстраняване на неизправности

Отстраняване на неизправности	Причина	Помощ
Продуктът не работи.	Проверете предпазителя.	Възможно е предпазителят ви да е затворен, направете така че да работи.
Продуктът не работи.	Проверете електрическата връзка.	Главното напрежение трябва да бъде между 220-240 V.
Продуктът не работи.	Проверете електрическата връзка.	Проверете дали другите продукти във Вашата кухня работят или не.
Лампата за осветление не работи.	Проверете електрическата връзка.	Главното напрежение трябва да бъде между 220-240 V.
Лампата за осветление не работи.	Проверете превключвателя на лампата.	Превключвателят на лампата трябва да е в положение "включено".
Лампата за осветление не работи.	Проверете лампите.	Лампите на продукта не трябва да бъдат повредени.
Всмукването на въздух на продукта е лошо.	Проверете алуминиевия филтър.	Масленият филтър от алуминий трябва да се почиства поне веднъж месечно при нормални условия.
Всмукването на въздух на продукта е лошо.	Проверете димоотвода.	Димоотводът трябва да бъде във "включено" положение.
Всмукването на въздух на продукта е лошо.	Проверете въглеродния филтър.	При продукти с въглеродни филтри филтърът обикновено трябва да се сменя на всеки 3 месеца.

Vui lòng đọc hướng dẫn sử dụng này trước!

Kính gửi Quý khách hàng,

Cảm ơn quý khách hàng đã chọn thiết bị này của Beko. Chúng tôi hy vọng quý khách hàng sẽ nhận được kết quả tốt nhất khi sử dụng thiết bị được sản xuất với chất lượng cao và công nghệ tiên tiến. Vì lý do đó, vui lòng đọc cẩn thận toàn bộ hướng dẫn sử dụng này và tất cả các tài liệu đi kèm khác trước khi sử dụng thiết bị và giữ lại để tham khảo về sau. Nếu quý khách hàng đưa thiết bị cho người khác sử dụng, vui lòng đưa cả hướng dẫn sử dụng. Làm theo hướng dẫn bằng cách chú ý tới tất cả thông tin và cảnh báo trong hướng dẫn sử dụng.

Vui lòng nhớ rằng hướng dẫn sử dụng này có thể cũng áp dụng với các mẫu thiết bị khác. Khác biệt giữa các mẫu được mô tả rõ ràng trong hướng dẫn này.

Ý nghĩa của các Biểu tượng

Các biểu tượng sau được sử dụng ở nhiều phần khác nhau trong hướng dẫn sử dụng này.



Thông tin quan trọng và các gợi ý sử dụng hữu ích.



CẢNH BÁO: Cảnh báo về các tình huống nguy hiểm liên quan tới an toàn tính mạng và tài sản.



Cảnh báo nguy cơ cháy.



Cảnh báo điện giật.



Cấp chống điện giật.



1 Hướng dẫn quan trọng về an toàn và môi trường

1.1 An toàn chung

Hướng dẫn an toàn quan trọng Đọc cẩn thận và giữ lại tham khảo về sau Phần này có các hướng dẫn an toàn sẽ giúp bảo vệ khỏi các rủi ro về cháy, điện giật, tiếp xúc với năng lượng vi sóng bị rò rỉ, chấn thương cá nhân hoặc hư hỏng tài sản. Sản phẩm sẽ không được bảo hành nếu được sử dụng không theo hướng dẫn.

- Sản phẩm của Beko tuân thủ các tiêu chuẩn an toàn hiện hành; do đó, trong trường hợp có hư hỏng đối với thiết bị hoặc dây điện, việc sửa chữa và thay thế nên do đơn vị bán hàng, trung tâm bảo hành hoặc chuyên viên và dịch vụ bảo trì được ủy quyền tương tự thực hiện để tránh nguy hiểm. Sửa chữa không đúng hoặc không đúng tiêu chuẩn có thể nguy hiểm và gây rủi ro cho người sử dụng.

- Thiết bị này được thiết kế cho sử dụng trong hộ gia đình và các ứng dụng tương tự như:

- Khu vực bếp cho nhân viên tại các cửa hàng, vắng phòng và các môi trường làm việc khác;
- Nhà trong trang tại
- Bởi khách ở tại khách sạn và các không gian lưu trú khác;
- Không gian lưu trú chỉ có chỗ ngủ và ăn sáng.

- Sử dụng thiết bị chỉ cho mục đích được mô tả trong hướng dẫn này.

- Nhà sản xuất sẽ không chịu trách nhiệm cho những hư hỏng là kết quả của việc lắp đặt không đúng cách hoặc sử dụng sản phẩm không đúng.

- Trẻ em từ 8 tuổi trở lên và người có năng lực thể chất, giác quan hoặc tinh thần suy giảm hoặc thiếu kinh nghiệm và kiến thức có thể sử dụng thiết bị này nếu được hướng dẫn

1 Hướng dẫn quan trọng về an toàn và môi trường

hoặc giám sát sử dụng thiết bị một cách an toàn và hiểu các nguy hiểm liên quan.

- Trẻ em không được chơi với thiết bị. Trẻ em không được thực hiện hoạt động vệ sinh và bảo trì của người dùng nếu không có sự giám sát.
- Khoảng cách tối thiểu giữa bề mặt đỡ nồi nấu trên bếp và phần thấp nhất của sản phẩm phải là tối thiểu 65 cm.
- Nếu hướng dẫn lắp đặt bếp ga chỉ định khoảng cách lớn hơn, chỉ định đó cần được xem xét.
- Hãy bảo đảm nguồn cấp điện chính phù hợp với thông tin có trong bảng thông số của thiết bị.
- Không bao giờ sử dụng thiết bị nếu dây điện hoặc chính thiết bị bị hư hỏng.
- Tránh dây điện bị hư hỏng bằng cách không đè ép, uốn cong hay chà lên cạnh sắc. Để dây điện xa

các bề mặt nóng và ngọn lửa trực tiếp.

- Chỉ sử dụng thiết bị đã nối đất.

CẢNH BÁO: Không kết nối thiết bị với lưới điện cho tới khi đã lắp đặt hoàn chỉnh.

- Đặt thiết bị sao cho phích cắm điện luôn tiếp cận được.
- Không chạm vào các đèn đã hoạt động trong thời gian dài. Các đèn này sẽ nóng và có thể gây bỏng tay.
- Làm theo hướng dẫn được các cơ quan có thẩm quyền đưa ra liên quan tới việc xả khí thải (cảnh báo này không áp dụng khi không sử dụng ống khói).
- Vận hành thiết bị sau khi đã đặt nồi, chảo,... lên bếp. Nếu không, nhiệt độ cao có thể gây biến dạng ở một số phần của sản phẩm.
- Tắt bếp trước khi lấy nồi, chảo,... ra.

1 Hướng dẫn quan trọng về an toàn và môi trường

- Không để dầu nóng trên bếp. Chảo có dầu nóng có thể tự bốc cháy.
- Chú ý tới các màn cửa và tấm phủ vì dầu có thể bắt lửa khi nấu các món như chiên rán.
- Bộ lọc dầu mỡ phải được thay thế ít nhất một lần mỗi tháng. Bộ lọc than hoạt tính phải được thay thế ít nhất một lần mỗi 3 tháng.
- Nên vệ sinh sản phẩm theo hướng dẫn sử dụng. Có thể có rủi ro xảy ra cháy nếu không thực hiện vệ sinh theo hướng dẫn sử dụng.
- Không sử dụng vật liệu lọc chống cháy thay vì bộ lọc hiện tại.
- Chỉ sử dụng các bộ phận chính hãng hoặc các bộ phận được nhà sản xuất khuyến dùng.
- Không vận hành sản phẩm khi không có bộ lọc và không tháo các bộ lọc khi sản phẩm đang chạy.
- Trong trường hợp bị bắt cháy, ngắt kết nối nguồn điện cho sản phẩm và các thiết bị nấu.
- Trong trường hợp bị bắt cháy, che ngọn lửa và không bao giờ dùng nước để dập lửa.
- Rút nguồn điện thiết bị trước mỗi lần vệ sinh và khi không sử dụng thiết bị.
- Áp lực âm trong môi trường không được vượt quá 4 Pa (4 x 10 baro) khi máy hút mùi cho bếp điện và các thiết bị chạy bằng một loại năng lượng khác không phải điện hoạt động đồng thời.
- Trong môi trường thiết bị đang được sử dụng, khí thải của các thiết bị chạy nhiên liệu dầu hoặc ga, như máy sưởi phòng phải được cô lập hoàn toàn hoặc thiết bị phải là loại kín.
- Khi kết nối ống khói, sử dụng ống có đường kính

1 Hướng dẫn quan trọng về an toàn và môi trường

120 hoặc 150 mm. Đường ống nối phải ngắn nhất có thể và ít khuỷu nối nhất có thể.

- Rủi ro ngạt thở! Để các bao bì đóng gói cách xa trẻ em.
- **THẬN TRỌNG:** Các bộ phận có thể tiếp cận có thể bị nóng khi sử dụng các thiết bị nấu ăn.
- Đầu thoát khí của sản phẩm không được kết nối với các đường dẫn khí có các loại khói khác.
- Hệ thống thông khí trong phòng có thể không đủ khi máy hút mùi cho bếp điện được sử dụng đồng thời với các thiết bị chạy bằng ga hoặc các nhiên liệu khác (điều này có thể không áp dụng cho các thiết bị chỉ xả khí trở lại phòng).
- Các đồ vật được đặt trên sản phẩm có thể rơi. Không đặt bất kỳ vật thể nào lên trên sản phẩm.
- Không tắm đốt đồ ăn bên

dưới sản phẩm.

CẢNH BÁO: Trước khi lắp đặt Máy hút mùi, tháo màng bảo vệ.

- Không bao giờ được để ngọn lửa cháy trực tiếp bên dưới máy hút mùi khi máy đang hoạt động
- Chảo rán dầu mỡ sâu phải được giám sát liên tục khi sử dụng: dầu quá nóng có thể cháy thành ngọn lửa.

1.2 Tuân thủ Chỉ thị WEEE và Quy định thải bỏ Sản phẩm thải:

Sản phẩm này tuân thủ Chỉ thị WEEE của Liên minh châu Âu (2012/19/EU). Sản phẩm này có mang ký hiệu phân loại sản phẩm điện và điện tử thải (WEEE).



Ký hiệu này cho biết rằng không được thải bỏ sản phẩm cùng với rác thải sinh hoạt khi hết thời hạn sử dụng. Thiết bị đã qua sử dụng phải được đưa tới điểm thu gom chính thức dành cho tái chế các thiết bị điện và điện tử. Để tìm các hệ thống thu gom, vui lòng liên hệ các cơ quan chính quyền hoặc nhà bán lẻ địa phương nơi mua sản phẩm. Mỗi hộ gia đình thực hiện vai trò quan trọng trong việc thu hồi và tái chế thiết bị cũ. Thải bỏ đúng cách thiết bị đã qua sử dụng giúp ngăn ngừa các hậu quả tiêu cực tiềm tàng đối với môi trường và sức khỏe con người.

1 Hướng dẫn quan trọng về an toàn và môi trường

1.3 Tuân thủ Chỉ thị RoHS

Sản phẩm quý khách hàng mua tuân thủ Chỉ thị RoHS của Liên minh châu Âu (2011/65/EU). Sản phẩm không chứa các vật liệu có hại và bị cấm được nêu trong Chỉ thị.

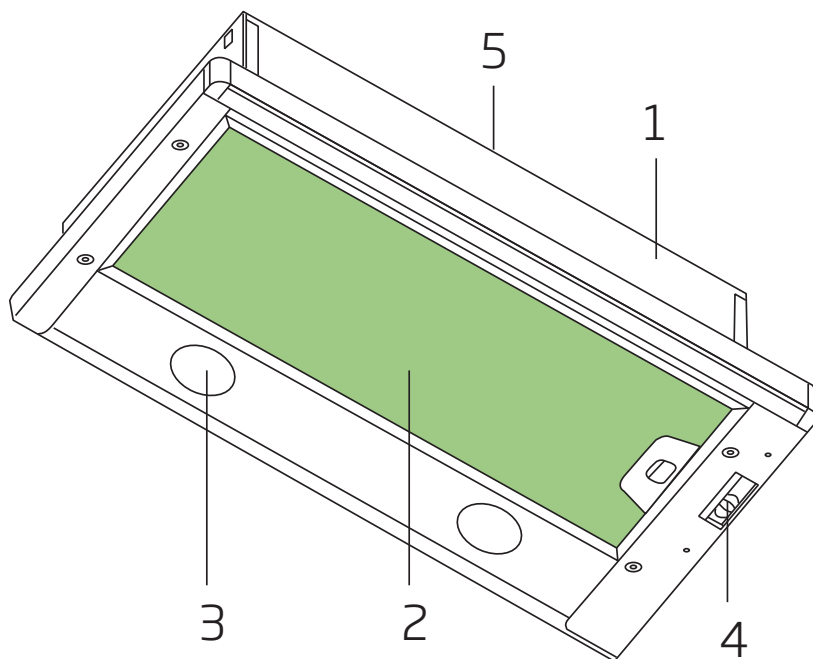
1.4 Thông tin đóng gói



Vật liệu đóng gói sản phẩm được sản xuất từ vật liệu tái chế theo các Quy định môi trường quốc gia của chúng tôi. Không thải bỏ vật liệu đóng gói cùng với rác thải sinh hoạt hoặc các loại rác thải khác. Hãy đem tới điểm thu gom vật liệu đóng gói được các cơ quan chính quyền địa phương chỉ định.

2 Ngoại hình chung

2.1 Tổng quan



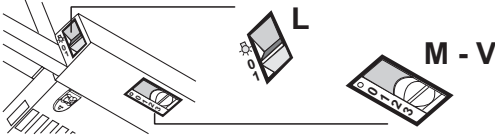
1. Thân chính
2. Bộ lọc lưới nhôm lọc dầu mỡ
3. Đèn chiếu sáng
4. Bảng điều khiển
5. Ống khói

2.2 Thông tin kỹ thuật

Kiểu	CTB 6250 X CTB 6250 B CTB 6250 W CTB 6250 XH	CTB 9250 X CTB 9250 XH
Điện áp nguồn	220-240V ~ 50 Hz	
Công suất đèn	2x4 W	
Công suất mô-tơ	1 x 140 W	
Lưu lượng không khí – Mức 3.	420 m ³ /h	
Cấp cách nhiệt	CẤP II	

3 Sử dụng thiết bị

3.1 Bảng điều khiển

	
L : Đèn	Bật và tắt hệ thống chiếu sáng
M : Mô tơ	Bật và tắt mô tơ máy hút mùi
V : Tốc độ	Đặt tốc độ hoạt động của máy hút mùi: 1. Tốc độ thấp, sử dụng khi cần thay đổi không khí liên tục và yên tĩnh với sự bốc hơi nhẹ khi nấu ăn. 2. Tốc độ trung bình, phù hợp cho hầu hết các điều kiện hoạt động với tỷ lệ lưu lượng khí/tiếng ồn được xử lý tối ưu. 3. Tốc độ tối đa, được sử dụng trong trường hợp cần xử lý sự bốc hơi mạnh khi nấu ăn, cả trong thời gian dài.

- Máy hút mùi được thiết kế dành riêng cho sử dụng trong nhà để loại bỏ mùi nhà bếp.
- Không bao giờ sử dụng máy hút mùi cho các mục đích không như mục đích thiết kế.
- Không bao giờ được để ngọn lửa cháy trực tiếp bên dưới máy hút mùi khi máy đang hoạt động.
- Điều chỉnh cường độ ngọn lửa để ngọn lửa chỉ hướng vào đáy nồi, bảo đảm rằng lửa không trùm ra các bên.
- Chảo rán dầu mỡ sâu phải được giám sát liên tục khi sử dụng: dầu quá nóng có thể cháy thành ngọn lửa.

3.2 Sử dụng năng lượng hiệu quả

- Khi sử dụng thiết bị, điều chỉnh cài đặt tốc độ theo mật độ hơi nước và mùi để tiết kiệm năng lượng.
- Sử dụng tốc độ thấp (1-2) ở điều kiện bình thường và tốc độ cao (3) và chế độ tăng cường khi mùi và hơi nước ở mật độ cao.
- Máy hút mùi này có trang bị các bóng đèn để chiếu sáng khu vực bếp nấu.
- Sử dụng các bóng đèn này để chiếu sáng môi trường xung quanh sẽ gây tổn chi phí năng lượng không cần thiết và chiếu sáng không hiệu quả.
- Để thiết bị tiêu thụ ít năng lượng hơn, hãy cho thiết bị chạy ở tốc độ thấp.
- Thiết bị sẽ giảm mức tiêu thụ năng lượng vì sẽ chạy hiệu quả hơn khi được cung cấp đủ khí đầu vào.
- Đặt mức tiêu thụ điện của máy ở cường độ lớn trước khi hơi hình thành trong trường hợp bạn biết sẽ xuất hiện hơi có mật độ cao. Vì vậy, bạn có thể giảm tiêu thụ năng lượng bằng cách sử dụng thiết bị trong thời gian ngắn hơn vì máy sẽ được cung cấp đủ khí đầu vào.

3 Sử dụng thiết bị

- Giữ nắp đậy của thiết bị gần để giảm lượng hơi thoát ra.

3.3 Vận hành máy hút mùi

- Máy hút mùi được trang bị mô tơ có nhiều mức tốc độ.
- Để thiết bị đạt hiệu suất cao hơn, chúng tôi khuyến nghị sử dụng tốc độ thấp ở điều kiện bình thường và tốc độ cao khi mùi và hơi nước có mật độ cao.
- Bạn có thể bật máy bằng cách ấn nút tốc độ mong muốn.(V1,V2,V3)
- Bạn có thể chiếu sáng khu vực nấu bằng cách ấn nút đèn (L)

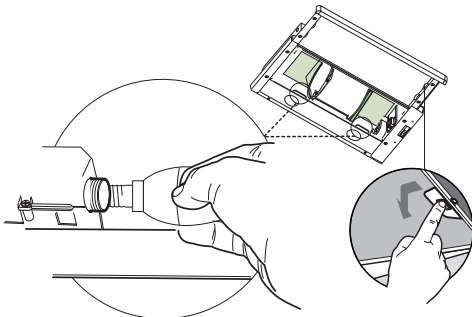
3.4 Thay đèn



- Trước khi thay thế bóng đèn, ngắt kết nối máy hút mùi với nguồn điện.
- Không chạm vào bóng đèn chiếu sáng khi chúng còn nóng.
- Cẩn thận không dùng tay trực tiếp chạm vào bóng đèn được thay thế.



Có thể mua đèn từ Đại lý Dịch vụ Ủy quyền.



Đèn	
Công suất	4 W
Ô cắm	E14
Điện áp	220 - 240 V
Mã ILCOS	DRBB/F-4-220-240-E14-35/100
Kích thước	35x100 mm
Quang thông	400 lm
Nhiệt độ màu	3000 K

Sản phẩm này chứa nguồn ánh sáng hiệu quả năng lượng cấp độ “F”.

3.5 Vận hành có ống thoát khí

- Hơi được dẫn ra ngoài thông qua ống thoát khí được lắp vào đầu nối của máy hút mùi.
- Đường kính của ống thoát khí phải bằng với vòng đầu nối. Khi lắp đặt máy nằm ngang, ống thoát sẽ hơi nghiêng lên (khoảng 10°) để không khí có thể thoát ra khỏi phòng dễ dàng.

3.6 Vận hành không có ống thoát khí

- Không khí được lọc thông qua bộ lọc than hoạt tính và quay trở lại phòng. Bộ lọc than hoạt tính được sử dụng khi không thể sử dụng ống dẫn khí ra ngoài.
- Khi không sử dụng ống thoát khí, hãy tháo các nắp bên trong đầu nối ống thoát.
- Tháo bộ lọc dầu. Để lắp đặt bộ lọc than hoạt tính, lắp bộ lọc vào các tai bằng cách chỉnh tâm bộ lọc vào miếng nhựa ở cả hai bên của thân quạt. Siết chặt bằng cách xoay qua phải hoặc trái.
- Thay thế bộ lọc dầu bằng nhôm.

4 Vệ sinh và bảo trì

Cần làm sạch và bảo trì thiết bị thường xuyên. Nếu thiết bị không sạch, vòng đời hoạt động của thiết bị sẽ bị ảnh hưởng. Khi vệ sinh và bảo trì thiết bị, hãy làm theo hướng dẫn trong sách hướng dẫn.



Trước khi vệ sinh và bảo trì, rút phích nguồn điện của thiết bị hoặc tắt công tắc chính hoặc tháo cầu chì của nguồn điện cấp cho máy hút mùi.



Có thể xảy ra cháy nếu không tuân thủ các hướng dẫn về vệ sinh thiết bị và thay thế bộ lọc. Do đó, chúng tôi khuyến nghị tuân thủ các hướng dẫn được cung cấp trong đây. Nhà sản xuất không chịu trách nhiệm cho trường hợp hư hỏng động cơ hoặc cháy bất nguồn từ việc sử dụng không đúng cách.

Vệ sinh bằng vải ẩm với dung dịch tẩy rửa trung tính. Không vệ sinh bằng công cụ hoặc dụng cụ. Không sử dụng các sản phẩm có tính mài mòn. Không sử dụng cồn

4.1 Vệ sinh lưới nhôm lọc dầu mỡ

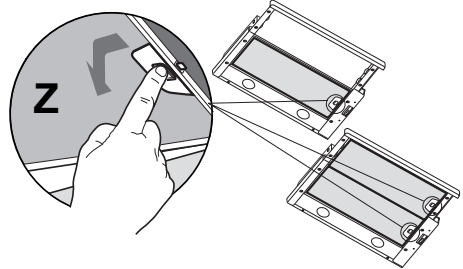
Lưới lọc giúp thu các hạt dầu mỡ trong không khí. Chúng tôi khuyến khích vệ sinh lưới lọc mỗi tháng nếu ở điều kiện sử dụng bình thường. Trước tiên, tháo lưới lọc dầu mỡ cho quy trình này. Rửa lưới lọc bằng dung dịch tẩy rửa và xả sạch bằng nước và lắp đặt trở lại sau khi đã khô. Lưới nhôm lọc dầu mỡ có thể phai màu khi được rửa; đây là hiện tượng bình thường và không cần thay đổi lưới lọc.



Có thể rửa Lưới lọc nhôm trong máy rửa bát



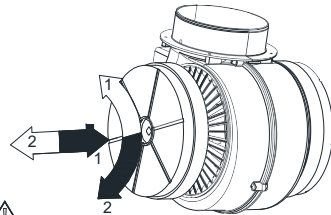
THẬN TRỌNG: Trong điều kiện sử dụng bình thường, vệ sinh bộ lọc một lần mỗi tháng.



4.2 Thay đổi bộ lọc than hoạt tính (Chế độ tuần hoàn khí)

Máy hút mùi có thể vừa với bộ lọc than hoạt tính. Bộ lọc than hoạt tính chỉ được sử dụng trong trường hợp máy hút mùi được kết nối với ống thông hơi.

Khi thay thế bộ lọc than hoạt tính, hãy chú ý tới loại tua-bin được sử dụng.



Biểu tượng → Lắp đặt bộ lọc
Biểu tượng ⇐ Tháo bộ lọc

CẢNH BÁO:

- Không bao giờ rửa bộ lọc than hoạt tính.
- Dù ở trường hợp nào cũng cần thay thế bộ lọc than hoạt tính ít nhất ba tháng một lần.
- Dịch vụ được ủy quyền có cung cấp bộ lọc than hoạt tính.



5 Cài đặt thiết bị



CẢNH BÁO: Vui lòng đọc hướng dẫn an toàn trước khi cài đặt.



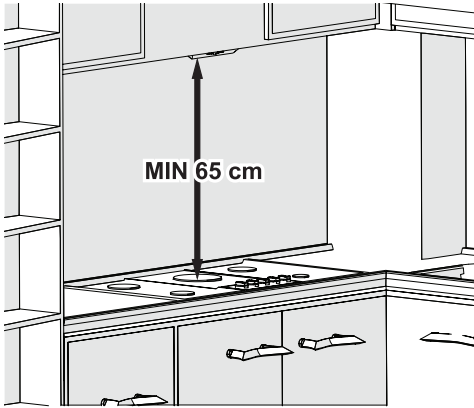
CẢNH BÁO: Lắp vít hoặc cố định thiết bị không theo các hướng dẫn này có thể dẫn đến nguy hiểm về điện.



Vui lòng xem trang 266 để biết hướng dẫn lắp đặt

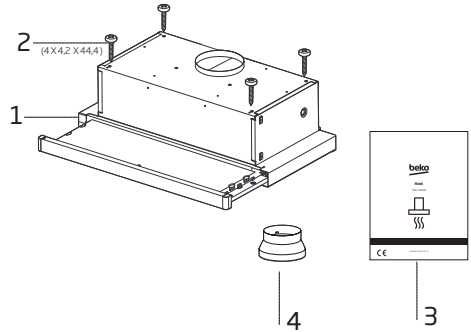
Để lắp đặt máy hút mùi, vui lòng liên hệ Trung tâm Bảo hành Ủy quyền gần nhất. Khách hàng chịu trách nhiệm chuẩn bị vị trí và lắp đặt điện cho máy hút mùi.

5.1 Vị trí thiết bị



- Khoảng cách giữa bếp nấu và máy hút mùi bếp nấu phải được cân nhắc trước khi lắp đặt. Khoảng cách nên ở mức 65 cm.
- Khoảng cách phải được đo từ bề mặt ghi lò đối với bếp ga, từ bề mặt của kính đối với bếp điện.

5.2 Phụ kiện lắp đặt



1. Máy hút mùi
2. Vít 4 X 4,2 X 44,4
3. Hướng dẫn sử dụng
4. Bộ chuyển đổi ống khói bằng nhựa 1 x Ø120 / 150 mm

5.3 Lưu kho

- Nếu bạn không có ý định sử dụng thiết bị trong thời gian dài, hãy lưu kho cẩn thận.
- Vui lòng bảo đảm rút điện cho thiết bị, làm nguội và khô hoàn toàn.
- Để thiết bị ở nơi mát và khô.
- Để thiết bị cách xa tầm với của trẻ em

5.4 Thao tác và vận chuyển

- Trong quá trình thao tác và vận chuyển, hãy vận chuyển bằng bao bì đóng gói gốc. Bao bì đóng gói gốc giúp bảo vệ thiết bị khỏi các hư hại vật lý.
- Không đặt vật nặng lên trên thiết bị hoặc bao bì. Thiết bị có thể bị hư hỏng.
- Làm rơi thiết bị có thể sẽ khiến thiết bị không hoạt động hoặc hư hỏng vĩnh viễn.

6 Xử lý sự cố

Xử lý sự cố	Lý do	Trợ giúp
Sản phẩm không hoạt động.	Kiểm tra cầu chì.	Cầu chì có thể đã đứt, hãy đưa cầu chì hoạt động trở lại.
Sản phẩm không hoạt động.	Kiểm tra kết nối điện.	Điện áp cần trong khoảng 220-240 V.
Sản phẩm không hoạt động.	Kiểm tra kết nối điện.	Kiểm tra xem các sản phẩm khác trong bếp có hoạt động không.
Đèn chiếu sáng không hoạt động.	Kiểm tra kết nối điện.	Điện áp cần trong khoảng 220-240 V.
Đèn chiếu sáng không hoạt động.	Kiểm tra công tắc đèn.	Công tắc đèn cần ở vị trí "on" (bật).
Đèn chiếu sáng không hoạt động.	Kiểm tra đèn.	Các đèn của sản phẩm phải không bị lỗi.
Đầu khí đi vào của sản phẩm không tốt.	Kiểm tra bộ lọc bằng nhôm.	Bộ lọc đầu bằng nhôm cần được vệ sinh ít nhất một lần mỗi tháng ở điều kiện bình thường.
Đầu khí đi vào của sản phẩm không tốt.	Kiểm tra ống thông hơi.	Ống thông hơi cần ở vị trí "on" (bật).
Đầu khí đi vào của sản phẩm không tốt.	Kiểm tra bộ lọc bằng than.	Với các sản phẩm có bộ lọc bằng than, thông thường nên thay thế bộ lọc mỗi 3 tháng.

Prvo pročitajte ovaj korisnički priručnik!

Poštovani cijenjeni kupci,

Zahvaljujemo vam što ste odabrali ovaj proizvod kompanije Beko. Nadamo se da ćete na najbolji mogući način iskoristiti svoj uređaj koji je napravljen s visokim kvalitetom i vrhunskom tehnologijom. Iz tog razloga, pročitajte ovaj kompletan korisnički priručnik i sve druge prateće dokumente pažljivo prije korišćenja proizvoda i sačuvajte ih za buduću upotrebu. Ako ovaj uređaj predate trećem licu, priložite i ovaj korisnički priručnik. Pratite upute obraćajući pažnju na sve informacije i upozorenja navedena u korisničkom priručniku.

Imajte na umu da je ovaj korisnički priručnik primjenljiv i za druge modele. Razlike između modela izričito su opisane u priručniku.

Značenje simbola

Sljedeći simboli se koriste u raznim odjeljcima ovog korisničkog priručnika:



Važne informacije i korisni savjeti u vezi s upotrebom.



UPOZORENJE: Upozorenja na opasne situacije koje se odnose na sigurnost života i imovine.



UPOZORENJE: Upozorenje na opasnost od požara.



UPOZORENJE: Upozorenje na strujni udar.



Klasa zaštite od strujnog udara.



1 Važne upute u vezi sa sigurnošću i zaštitom životne sredine

1.1 Opšta sigurnost

Važne upute u vezi sa sigurnošću pažljivo pročitajte i i sačuvajte ih za buduću upotrebu. Ovaj odjeljak sadrži upute u vezi sa sigurnošću koje će vam pomoći u zaštiti od opasnosti od požara, strujnog udara, izloženosti curenju mikro-talasne energije, ličnih povreda ili oštećenja imovine. Nepoštovanje ovih uputa poništava odobrenu garanciju.

- Beko proizvodi su u skladu s važećim sigurnosnim standardima; prema tome, u slučaju bilo kakvih oštećenja na uređaju ili kابلu za napajanje, iste treba da popravi ili zamijeni prodavač, servisni centar ili stručno lice i ovlašćeni servis kako bi se izbjegla bilo kakva opasnost. Neispravni ili nekvalifikovani radovi na popravci mogu biti opasni i mogu dovesti do opasnosti po korisnika.
- Ovaj uređaj je namijenjen za upotrebu u domaćinstvima i sličnim objektima kao što su:
 - prostori kuhinje za zaposle-

nike u trgovinama, uredima i drugim radnim okruženjima;

- kuće na farmama,
 - seoske kuće i za goste u hotelima, motelima i drugim objektima za smještaj;
 - objekti koji nude prenoćište i doručak,
- Upravlajte uređajem prema predviđenoj namjeni samo kako je opisano u ovom priručniku.
 - Proizvođač ne može biti odgovoran za štetu nastalu nepropisnom ugradnjom ili zloupotrebom proizvoda.
 - Ovaj uređaj mogu koristiti djeca od 8 godina i starija, i osobe sa ograničenim fizičkim, čulnim ili mentalnim sposobnostima, osobe koje nemaju dovoljno znanja ili iskustva ako su pod nadzorom ili su im date upute koje se tiču upotrebe uređaja na siguran način i opasnosti koje uređaj uključuje.
 - Djeca se ne smiju igrati s uređajem. Čišćenje i održavanje od strane korisnika ne smiju obavljati

1 Važne upute u vezi sa sigurnošću i zaštitom životne sredine

jati djeca ukoliko nisu pod nadzorom.

- Minimalna udaljenost između no-seće površine posuda za kuvanje na ploči za kuvanje i najnižeg dijela vašeg proizvoda mora biti najmanje 65 cm.
- Ako je uputama za ugradnju plinske ploče definisana veća udaljenost, to se mora uzeti u obzir.
- Vaše mrežno napajanje strujom mora biti u skladu sa informacijama na pločici na uređaju.
- Nikada ne koristite uređaj ako je kabl za napajanje ili sam uređaj oštećen.
- Spriječite oštećenje kabla za napajanje tako što ga nećete stiskati, savijati ili trljati po oštrim ivicama. Držite kabl za napajanje dalje od vrućih površina i izvora plamena.
- Uređaj koristite samo sa uzemljenom utičnicom.

UPOZORENJE: Ne priključujte uređaj na napajanje prije potpune ugradnje uređaja.

- Postavite uređaj na način da uti-

kač bude uvijek dostupan.

- Ne dirajte lampe ako su dugo radile. Mogu vam stvoriti opekotine na rukama jer će biti zagrijane.
- Pridržavajte se propisa koji su utvrdili nadležni organi o ispuštu izduvnog vazduha (ovo upozorenje nije primjenljivo na uporabu bez dimnih gasova).
- Uključite uređaj nakon što stavite lonac, tavu itd. na ploču za kuvanje. U suprotnom, velika toplota može prouzrokovati deformacije u nekim djelovima vašeg proizvoda.
- Isključite ploču prije nego što sa nje sklonite lonac, tavu itd.
- Ne ostavljajte vruće ulje na ploči za kuvanje. Posude sa vrućim uljem mogu izazvati samo-sagorijevanje.
- Obratite pažnju na zavjese i prekrivače, jer se ulje može zapaliti dok spremate hranu kao što je pomfrit.
- Filter za masnoće treba zamijeniti najmanje jednom mjesečno. Karbonski filter se mora zamijeni-

1 Važne upute u vezi sa sigurnošću i zaštitom životne sredine

niti najmanje jednom u svaka 3 mjeseca.

- Proizvod se čisti u skladu sa korisničkim priručnikom. Ako čišćenje nije izvršeno u skladu s korisničkim priručnikom, može doći do opasnosti od požara.
- Ne koristite materijale za filtriranje koji nisu otporni na vatru umjesto trenutnog filtera.
- Koristite samo originalne djelove ili djelove koje je preporučio proizvođač.
- Ne koristite proizvod bez filtera i ne uklanjajte filtere dok je proizvod u funkciji.
- U slučaju pojave plamena, isključite vaš proizvod i uređaje za kuvanje sa napajanja električnom energijom.
- U slučaju pojave plamena, prekriti plamen i nikada ne koristite vodu za gašenje.
- Isključite uređaj sa napajanja prije svakog čišćenja i kada uređaj ne koristite.
- Negativni pritisak u okolini ne bi trebalo da pređe 4 Pa (4×10

bara) dok istovremeno rade aspirator za električnu ploču i uređaji koji rade na drugoj vrsti energije osim struje.

- U okruženju u kojem se koristi uređaj, ispustni otvor uređaja koji rade na lož-gorivo ili plin, kao što su sobni grijači, mora biti apsolutno izolovan ili uređaj treba da bude hermetičnog tipa.
- Pri povezivanju odvodne cijevi koristite cijevi prečnika 120 ili 150 mm. Priključak cijevi mora biti što kraći i imati što je moguće manje prelamanja.

Opasnost od gušenja! Sve materijale za pakiranje držite dalje od djece.

OPREZ: Pristupačni djelovi se mogu zagrijati kada se koriste sa uređajima za kuvanje.

- Izlazni otvor proizvoda ne smije biti povezan sa vazдушnim kanalima koji sprovode drugu vrstu dima.
- Ventilacija u prostoriji može biti nedovoljna kada se aspirator za električnu ploču koristi istovremeno sa uređajima koji rade na

1 Važne upute u vezi sa sigurnošću i zaštitom životne sredine

plin ili druga goriva (ovo možda nije primjenljivo na uređaje koji samo dovode vazduh u prostoru).

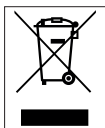
- Predmeti stavljeni na proizvod mogu pasti. Ne stavljajte nikakve predmete na proizvod.
- Ne flambirajte hranu ispod proizvoda.

UPOZORENJE: Prije ugradnje aspiratora uklonite zaštitne folije.

- Nikada ne ostavljajte visoko otvoren plamen ispod aspiratora dok je isti u funkciji.
- Friteze sa dubokim uljem moraju se neprestano nadgledati tokom upotrebe: pregrijano ulje može da plane.

1.2 Usklađenost s direktivom WEEE i Odlaganjem otpadnog proizvoda:

Ovaj proizvod je usklađen s Direktivom EU WEEE (2012/19/EU). Ovaj proizvod nosi simbol klasifikacije za odlaganje električne i elektronske opreme (WEEE).



Ovaj simbol označava da ovaj proizvod ne treba odlagati sa ostalim otpadom iz domaćinstva na kraju vijeka upotrebe. Korišćeni uređaj mora se vratiti u službeno zbirno mjesto za recikliranje električnih i elektronskih uređaja. Da biste pronašli

ove sisteme za prikupljanje, obratite se lokalnim nadležnim organima ili prodavcu kod kojeg je proizvod kupljen. Svako domaćinstvo ima važnu ulogu u obnovi i recikliranju starih uređaja. Odgovarajuće odlaganje korišćenog aparata pomaže u sprječavanju potencijalnih negativnih posljedica po životnu sredinu i zdravlje ljudi.

1.3 Usklađenost sa RoHS direktivom:

Proizvod koji ste kupili je usklađen s Direktivom EU RoHS (2011/65/EU). On ne sadrži štetne i zabranjene materijale navedene u Direktivi.

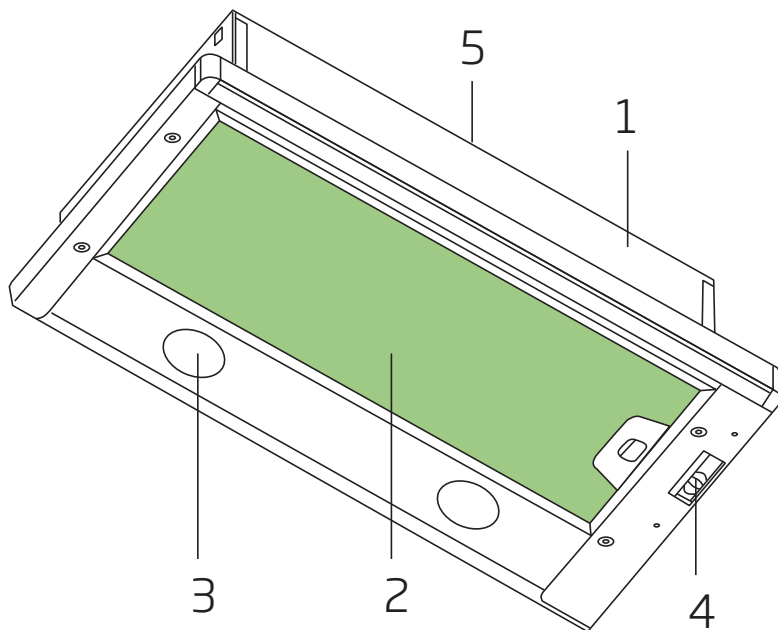
1.4 Informacija o ambalaži



Ambalaža proizvoda je proizvedena od sekundarnih sirovina u skladu s našim nacionalnim propisima za zaštitu okoliša. Ne bacajte ambalažu zajedno s otpadom iz domaćinstva ili drugim otpadom. Odnosite je do sabirnih centara za ambalažu koje su odredili lokalni nadležni organi.

2 Opšti izgled

2.1 Prikaz



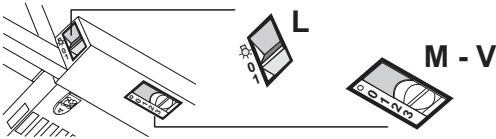
1. Glavni dio
2. Aluminijski filter za masnoće
3. Osvjetljenje
4. Kontrolna tabla
5. Dimnjak

2.2 Tehnički podaci

Model	CTB 6250 X CTB 6250 B CTB 6250 W CTB 6250 XH	CTB 9250 X CTB 9250 XH
Napon	220-240V ~ 50 Hz	
Snaga lampice	2x4 W	
Snaga motora	1 x 140 W	
Protok vazduha – 3. Nivo	420 m ³ /h	
Klasa izolacije	KLASA II	

3 Korišćenje uređaja

3.1 Kontrolna tabla

	
L : Svjetlo	Paljenje i gašenje sistema rasvjete
M : Motor	Paljenje i gašenje odsisnog motora
V : Brzina	Podešavanje radne brzine odsisača: 1. Niska brzina, koristi se za kontinuirane i tihe zračne promjene u prisustvu blagog kuhinjskog mirisa. 2. Srednja brzina, podesna za najčešće radne uvjete pruža optimalno tretiranje nivoa omjera protoka/ buke zraka. 3. Maksimalna brzina, koristi se za eliminiranje najviše emisije kuhinjskog isparenja, uključujući duže periode.

- Napa je dizajnirana isključivo za kućnu upotrebu kako bi se uklonili kuhinjski mirisi.
- Nikada ne koristite aspirator u druge svrhe osim za one za koje je dizajnirana.
- Nikada ne ostavljajte visoko otvoren plamen ispod aspiratora dok je isti u funkciji.
- Podesite intenzitet plamena da ga usmjerite samo na dno posude pazeći da ne zahvati bočne stranice.
- Friteze sa dubokim uljem moraju se neprestano nadgledati tokom upotrebe: pregrijano ulje može da plane.

3.2 Energetski efikasan rad sa uštedom energije

- Kad koristite uređaj prilagodite brzinu intenzitetu pare i mirisa da biste uštedjeli energiju.
- Koristite niske brzine (1-2) u normalnim uvjetima, a velike brzine (3) za intenzivan miris i isparavanje.
- Lampice na napi su postavljene za osvjetljavanje područja kuhanja.
- Njihova upotreba za osvjetljenje okoliša uzrokovat će nepotrebne troškove energije i nedovoljno osvjetljenje.
- Da bi vaš uređaj trošio manje energije, pokrenite ga pri maloj brzini.
- Vaš uređaj će smanjiti potrošnju energije jer će raditi efikasnije kada mu obezbedite dovoljan usis zraka.
- Podesite uređaj na nivo intenzivne usisne snage pre stvaranja pare, u slučajevima kada znate da će doći do guste pare. Dakle, smanjujete potrošnju energije tako što ćete svoj uređaj koristiti kraće vrijeme jer će imati dovoljan usis zraka.
- Držite poklopce posuda zatvorenim kako biste smanjili stvaranje pare.

3.3 Rad nape

- Vaš uređaj ima motor s različitim brzinama.
- Za bolje performanse preporučujemo upotrebu niskih brzina u normalnim uvjetima i velike brzine u slučaju jakih mirisa i intenzivne pare.
- Uređaj možete pokrenuti pritiskom na dugme za podešavanje željene brzine. (V1, V2, V3)

3 Korišćenje uređaja

- Područje za kuhanje možete osvijetliti pritiskom na lampicu. (L)

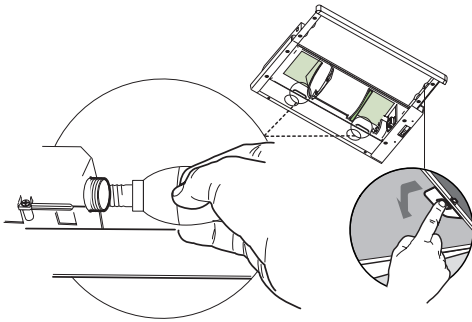
3.4 Zamjena lampice




- Prije zamjene sijalica, isključite napajanje aspiratora.
- Ne dirajte sijalice kada su vruće.
- Pazite da direktno ne dodirnete zamijenjenu sijalicu rukama.



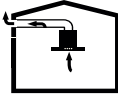
Lampice možete nabaviti od agenata ovlaštenih servisa.



Sijalica	
Snaga sijalice	4 W
Držač/utičnica	E14
Napon sijalice	220 - 240 V
ILCOS kod	D R B B / F - 4 - 2 2 0 - 240-E14-35/100
Veličina	35x100 mm
Svjetlosni tok	400 lm
Odgovarajuća temperatura boje	3000 K

Ovaj proizvod sadrži izvor svjetla klase energetske efikasnosti "F".

3.5 Rad s priključkom na dimnjak

-  Para se odvodi kroz kanal dimnjaka, koji je pričvršćen na priključnu glavu na napi.
- Promjer kanala dimnjaka mora biti isti kao i priključni prsten. U horizontalnim postavkama cijev mora imati blagi nagib prema gore (oko 10°) da bi zrak mogao lako izaći iz prostorije.

3.6 Rad bez priključka na dimnjak

-  Zrak se filtrira kroz karbonski filter i recirkuliše unutar prostorije. Karbonski filter koristi se kada nije moguće koristiti dimnjak u kući.
- U slučaju upotrebe bez dimnjaka, uklonite klapne iz adaptera za dimnjak.
- Uklonite Filter za masnoću. Da biste ugradili karbonski filter, filter namjestite na jezičke tako što ćete ga centrirati na plastični komad s obje strane kućišta ventilatora. Zategnite ga okretanjem udesno ili ulijevo.
- Zamijenite Filter za masnoću.

4 Čišćenje i održavanje

Uređaj treba redovno čistiti i održavati. Ako uređaj ne održavate čistim, to će negativno utjecati na vijek trajanja uređaja. Za čišćenje i održavanje slijedite upute navedene u priručniku.



Prije čišćenja i održavanja, isključite uređaj sa napajanja ili isključite glavni prekidač ili otpustite osigurač koji napaja aspirator.



Nepridržavanje odredbi vezanih za čišćenje uređaja i zamjenu filtera može dovesti do opasnosti od požara. Stoga se preporučuje da se pridržavate ovdje navedenih smjernica. Proizvođač nije odgovoran za oštećenja motora ili požare uzrokovane nepravilnim korištenjem.

Očistite samo krpom navlaženom neutralnim tečnim deterdžentom. Ne čistite alate niti instrumente. Ne koristite abrazivne proizvode. Ne koristite alkohol.

4.1 Čišćenje aluminijumskog filtera za masnoće

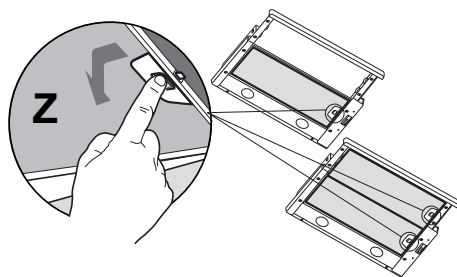
Ovaj filter sakuplja čestice ulja u vazduhu. Preporučuje se čišćenje vašeg filtera svakog mjeseca pri normalnim uvjetima upotrebe. Prije ovog postupka uklonite filtere za masnoće. Operite filtre tečnim deterdžentom i isperite ih vodom i vratite natrag nakon što se osuše. Aluminijumski filteri za masnoće mogu promijeniti boju tokom pranja; ovo je normalno i ne morate da mijenjate filter.



Filter za masnoću možete prati u mašini za pranje suđa.



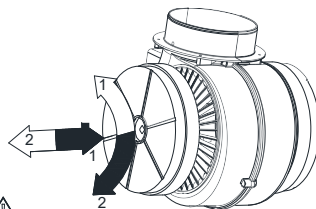
OPREZ: U slučaju normalne upotrebe, očistite filter jednom mjesečno.



4.2 Promjena karbonskog filtera (režim cirkulacije vazduha)

Aspirator može biti opremljen karbonskim filterom. Karbonski filter se primjenjuje samo u slučaju da aspirator nije spojen sa kanalom za odvod zraka.

Pri zamjeni karbonskog filtera obratite pažnju na vrstu korištene turbine.



Simbol → Ugradnja filtera
Simbol ← Demontaža filtera

OPREZ

- Karbonski filter nikada se ne pere.
- Zamijenite karbonske filtre jednom svaka 3 mjeseca.
- Karbonski filter možete nabaviti od ovlaštenih servisa.



5 Podešavanje uređaja



UPOZORENJE: Prije započinjanja ugradnje pročitajte sigurnosne informacije u korisničkom priručniku.



UPOZORENJE: Ako ugradnju ne izvršite s vijcima i uređajima za pričvršćivanje u skladu s ovim uputama, može doći do opasnosti od električnog udara.

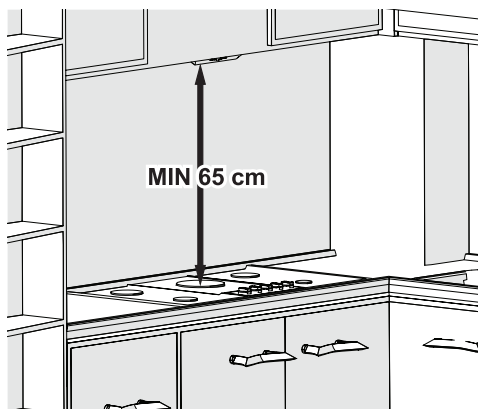


Pogledajte na stranici 266 instrukcije za ugradnju

Za ugradnju nape obratite se najbližem ovlaštenom servisu.

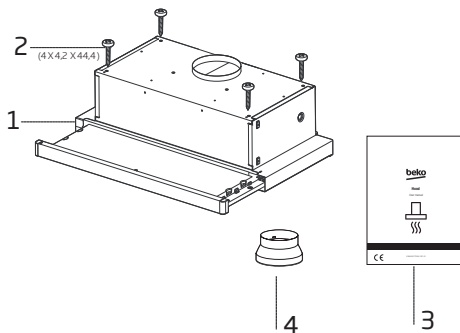
Korisnik je odgovoran da pripremi lokaciju i električnu instalaciju za napu.

5.1 Položaj uređaja



- Prije montiranja mora se uzeti u obzir udaljenost između šporeta i nape. Ta udaljenost treba biti 65 cm.
- Udaljenost se mora mjeriti od površine rešetke za plinske šporete, od površine stakla za električne šporete.

5.2 Pribor za ugradnju



1. Aspirator
2. 4 X 4,2 X 44,4 Šrafovi
3. Korisnički priručnik
4. 1 x Ø120 / 150 mm plastični adapter za dimovod

5.3 Čuvanje

- Ako ne planirate da koristite uređaj duže vrijeme, molimo Vas da ga pažljivo odložite.
- Molimo vas, provjerite da li je uređaj isključen, hladan i potpuno suv.
- Ostavite uređaj na suvo i hladno mjesto.
- Držite uređaj van domašaja djece.

5.4 Baratanje i transport

- Tokom premeštanja i transporta nosite uređaj spakovan u originalnu ambalažu. Ambalaža štiti uređaj od fizičkih oštećenja.
- Ne stavljajte teret na uređaj ili na ambalažu. Uređaj se može oštetiti.
- Pazite da Vam uređaj ne padne na pod, jer to može izazvati trajna oštećenja i kvar uređaja.

6 Rješavanje problema

Rješavanje problema	Razlog	Pomoć
Proizvod nije u funkciji.	Provjerite osigurač.	Možda je vaš osigurač isključen, potrebno je da ga osposobite.
Proizvod nije u funkciji.	Provjerite priključak na napajanje električnom energijom.	Mrežni napon treba biti između 220-240 V.
Proizvod nije u funkciji.	Provjerite priključak na napajanje električnom energijom.	Provjerite da li su u funkciji ostali proizvodi u vašoj kuhinji.
Lampica za rasvjetu ne radi.	Provjerite priključak na napajanje električnom energijom.	Mrežni napon treba biti između 220-240 V.
Lampica za rasvjetu ne radi.	Provjerite prekidač za lampicu.	Prekidač za lampicu trebao bi biti u položaju "uključeno".
Lampica za rasvjetu ne radi.	Provjerite lampice.	Lampice proizvoda ne bi trebalo da budu neispravne.
Ulaz zraka u proizvod je slab.	Provjerite aluminijski filter.	Aluminijski filter za masnoću treba očistiti najmanje jednom mjesečno u normalnim uvjetima.
Ulaz zraka u proizvod je slab.	Provjerite odvodnik zraka.	Prekidač za odvodnik zraka trebao bi biti u položaju "uključeno".
Ulaz zraka u proizvod je slab.	Provjerite karbonski filter.	Za proizvode s karbonskim filterima, filter se obično treba mijenjati svaka 3 mjeseca.

Nejprve si přečtěte tento návod k použití!


Vážený zákazníku,

Děkujeme, že jste si vybrali tento produkt značky Beko. Doufáme, že s tímto spotřebičem, který byl vyroben s využitím vysoce kvalitní a moderní technologie, dosáhnete těch nejlepších výsledků. Z tohoto důvodu si před použitím spotřebiče pečlivě přečtěte celý návod k použití a jakékoli doplňující dokumenty a uchovejte je pro budoucí použití. Pokud spotřebič předáte další osobě, rovněž jí předejte návod k použití. Dodržujte pokyny a věnujte pozornost všem informacím a varováním uvedeným v návodu k použití.


Nezapomeňte, že se tento návod může vztahovat i k několika jiným modelům. Rozdíly mezi modely jsou v návodu výslovně popsány.

Význam symbolů


V různých částech tohoto návodu k použití jsou použity následující symboly:

	Důležité informace a užitečné tipy k použití.
--	---

	VAROVÁNÍ: Upozornění na nebezpečné situace týkající se ohrožení života a majetku.
--	---

	Varování před nebezpečím požáru.
--	----------------------------------

	Varování před úrazem elektrickým proudem.
---	---

	Třída ochrany před zásahem elektrickým proudem.
---	---



1 Důležité pokyny z hlediska bezpečnosti a životního prostředí

1.1 Obecné bezpečnostní pokyny

Důležité bezpečnostní pokyny, přečtěte si je pozorně a uchovejte pro pozdější použití

Tento oddíl obsahuje bezpečnostní pokyny, které vám pomohou ochránit před vznikem požáru, zásahem elektrickým proudem, následky unikající mikrovlnné energie, zraněním osob nebo poškozením majetku. Nedodržení těchto pokynů zruší platnost záruky.

- Výrobky značky Beko splňují platné bezpečnostní normy; proto v případě jakéhokoli poškození spotřebiče nebo napájecího kabelu musí být provedena oprava nebo výměna prodejcem, servisním centrem nebo odborníkem z autorizovaného servisu, aby se předešlo nebezpečí. Chybná nebo neodborná oprava může být nebezpečná pro uživatele.
- Toto zařízení je určeno pouze pro domácí a podobné použití, například:

- v prostorách kuchyňského personálu v obchodech, kancelářích a dalších pracovních prostředích;
 - na farmách;
 - klienty v hotelech a dalších typech obytného prostředí;
 - v prostředí typu Bed and Breakfast.
- Spotřebič používejte pouze k určenému účelu, jak je popsáno v tomto návodu.
 - Výrobce nenes odpovědnost za žádné škody plynoucí z nesprávné instalace či nevhodného způsobu použití spotřebiče.
 - Tento spotřebič mohou používat děti starší 8 let a osoby s omezenými tělesnými, smyslovými nebo mentálními schopnostmi anebo osoby bez příslušných znalostí a zkušeností, pokud jsou pod dozorem nebo byly poučeny o bezpečném užívání tohoto přístroje a chápou související nebezpečí.
 - Děti si se spotřebičem nesmí hrát. Čištění a údržba nesmí být

1 Důležité pokyny z hlediska bezpečnosti a životního prostředí

prováděny dětmi bez dohledu dospělé osoby.

- Minimální vzdálenost mezi nosnými plochami varných nádob na varné desce a nejnižší stranou výrobku musí být nejméně 65 cm.
- Pokud v návodu k instalaci plynové desky najdete větší vzdálenost, je nutno postupovat podle toho.
- Zkontrolujte, zda vaše napájení odpovídá informacím uvedeným na štítku spotřebiče.
- Nikdy nepoužívejte spotřebič, pokud je poškozen napájecí kabel nebo spotřebič.
- Předejděte poškození napájecího kabelu zabráněním jeho zmáčknutí, ohnutí nebo odírání o ostré hrany. Napájecí kabel udržujte mimo horké povrchy a otevřený oheň.
- Spotřebič zapojte pouze do uzemněné zásuvky.

VAROVÁNÍ: Nezapojte spotřebič do sítě, dokud není instalace zcela dokončena.

- Spotřebič umístěte tak, aby byla zástrčka vždy přístupná.
- Nedotýkejte se žárovek, pokud jsou v provozu delší dobu. Mohou spálit ruce, protože budou horké.
- Dodržujte předpisy stanovené příslušnými úřady o vypouštění odpadního vzduchu (toto upozornění se nevztahuje na použití bez kouřovodu).
- Spustíte spotřebič po umístění hrnce, pánve apod. na varnou desku. V opačném případě může vysoká teplota způsobit deformaci některých částí výrobku.
- Před sejmutím hrnce, pánve apod. vypněte varnou desku.
- Nenechávejte na varné desce horký olej. Nádobky s horkým olejem mohou způsobit samovznícení.
- Dávejte pozor na záclony a závěsy, protože olej se může při smažení některých potravin, jako jsou hranolky, vznítit.
- Tukový filtr musí být vyměněn nejméně jednou měsíčně. Uhlíkový filtr musí být vyměněn nej-

1 Důležité pokyny z hlediska bezpečnosti a životního prostředí

méně každé 3 měsíce.

- Spotřebič musí být čištěn v souladu s návodem k použití. Pokud čištění nebylo provedeno v souladu s návodem k použití, může hrozit nebezpečí požáru.
- Namísto stávajícího filtru nepoužívejte filtrační materiály neodolné proti ohni.
- Používejte pouze originální části doporučené výrobcem.
- Neprovazujte spotřebič bez filtru a neodstraňujte filtry, když je spotřebič spuštěn.
- V případě, že dojde k zapálení plamene, vypněte napájení spotřebiče a vařičů.
- V případě, že dojde k zapálení plamene, plamen zakryjte a nikdy k jeho hašení nepoužívejte vodu.
- Spotřebič odpojte před každým čištěním a v případě, že jej nepoužíváte.
- Podtlak v místnosti nesmí překročit 4 Pa (4 x 10 bar), zatímco digestoř pro elektrickou varnou desku a spotřebiče pracující na

jiném typu energie, než je elektřina, pracují současně.

- V prostředí, kde je spotřebič používán, musí být odvětrávání zařízení běžících na topném oleji nebo plynu, jako je teplovzdušný ventilátor, naprosto izolováno nebo zařízení musí být hermetického typu.
- Při připojování kouřovodu použijte trubky o průměru 120 nebo 150 mm. Připojení trubek musí být co nejkratší a mít co nejméně záhybů.

Riziko zadušení! Všechny obaly uchovejte mimo dosah dětí.

UPOZORNĚNÍ: Přístupné součástky se mohou zahřát při použití s vařiči.

- Vývod spotřebiče nesmí být připojen ke vzduchovodům, do kterých je vyveden jiný kouř.
- Ventilace v místnosti může být nedostatečná, pokud je digestoř pro elektrickou varnou desku používána současně se zařízeními na plyn nebo jiná paliva (to neplatí pro spotřebiče, které vypouštějí vzduch zpět do místnosti).

1 Důležité pokyny z hlediska bezpečnosti a životního prostředí

- Předměty umístěné na spotřebiči mohou spadnout. Na spotřebič neumísťujte žádné předměty.
- Pod spotřebičem nikdy neřezávejte.

VAROVÁNÍ: Před instalací digestoře odstraňte ochranné fólie.

- Nikdy nenechávejte obnažený plamen pod digestoří, která je zapnutá.
- Pánve na smažení je nutno během používání stále sledovat: přehřátý olej může vzplanout.

1.2 Shoda se směrnicí OEEZ a likvidace výrobku:

Tento výrobek splňuje požadavky směrnice EU OEEZ (2012/19/EU). Tento výrobek je označen symbolem pro třídění elektrického a elektronického odpadu (OEEZ).



Tento symbol znamená, že příslušný výrobek na konci jeho životnosti nesmí být likvidován spolu s jiným domácím odpadem. Použité zařízení musíte odnést do oficiální sběrně pro recyklaci elektrických a elektronických zařízení. Obratě se na místní úřady nebo na prodejce, u kterého jste si zařízení zakoupili, a informujte se o umístění sběrných zařízení. Každá domácnost hraje důležitou roli ve sběru a recyklaci starých zařízení.

Správná likvidace starého zařízení pomáhá předejít možným negativním následkům pro životní prostředí a lidské zdraví.

1.3 Dodržování směrnice RoHS

Výrobek, který jste zakoupili, splňuje požadavky směrnice EU RoHS (2011/65/EU). Neobsahuje škodlivé ani zakázané materiály specifikované ve směrnici.

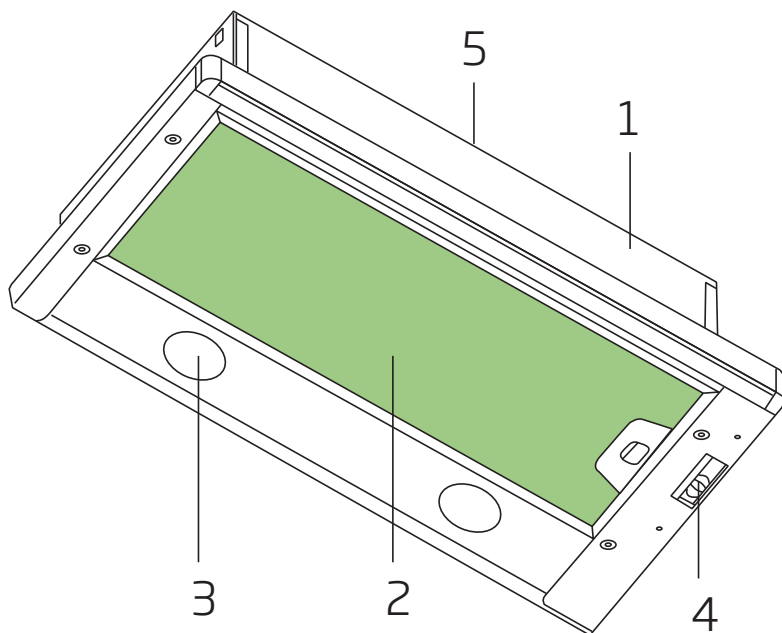
1.4 Informace o balení



Obalové materiály produktu jsou vyrobeny z recyklovatelných materiálů v souladu s naší národní legislativou na ochranu životního prostředí. Obalové materiály nelikvidujte společně s domácím nebo jiným druhem odpadu. Odveďte je na sběrné místo obalových materiálů určené místními úřady.

2 Celkový vzhled

2.1 Přehled



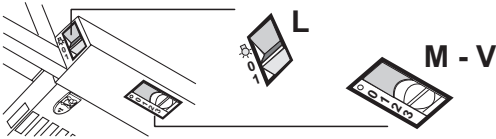
1. Vlastní těleso
2. Hliníkový tukový filtr
3. Osvětlení
4. Ovládací panel
5. Komín

2.2 Technické údaje

Model	CTB 6250 X CTB 6250 B CTB 6250 W CTB 6250 XH	CTB 9250 X CTB 9250 XH
Napájecí napětí	220-240V ~ 50 Hz	
Napájení světla	2x4 W	
výkon motoru	1 x 140 W	
Air Flow – 3. Úroveň	420 m ³ /h	
Izolační třída	TRÍDA II	

3 Používání spotřebiče

3.1 Ovládací panel

	
L : Osvětlení	Zapíná a vypíná osvětlení.
M : Motor	Zapíná a vypíná motor nasávání.
V : Rychlost	Určuje provozní rychlost: 1. Minimální rychlost, vhodná k obzvlášť tiché nepřetržité výměně vzduchu, v případě malého množství výparů. 2. Prostřední rychlost, určená pro většinu použití, ideální poměr mezi průtokem čištěného vzduchu a hlučností. 3. Maximální rychlost, určená pro zpracování maximálního množství výparů i během dlouhého časového úseku.

- Odsavač par byl navržen výlučně pro použití v domácnosti, pro eliminování zápachu v kuchyni.
- Nikdy nepoužívejte odsavač par pro jiné účely, než na který byl navržen.
- Když je digestoř v provozu, nikdy nenechávejte pod digestoři vysoké plameny.
- Intenzitu plamene nastavte tak, aby směřovala pouze na spodní část pánve a ujistěte se, že nesahá na boky.
- Fritézy s obsahem tuku se během používání nepřetržitě monitorovat: přehřátý olej může vzplanout.

3.2 Energeticky účinný provoz z hlediska úspory Použití

- Při používání spotřebiče upravte nastavení rychlosti podle intenzity páry a zápachu, abyste ušetřili energii.
- Za normálních podmínek používejte nízké rychlosti (1–2) a vysokou rychlost (3) používejte pro intenzivní zápach a páry.
- Žárovky jsou na digestoři umístěny za účelem osvětlení oblasti vaření.
- Jejich používání na osvětlení většího prostoru povede ke zbytečné spotřebě energie a k nedostatečnému osvětlení.
- Chcete-li, aby zařízení spotřebovalo méně energie, spouštějte jej při nízkých otáčkách.
- Vaše zařízení sníží spotřebu energie, protože bude pracovat efektivněji, když mu zabezpečíte dostatečný přívod vzduchu.
- V případech, kdy víte, že dojde k vytvoření husté páry, nastavte zařízení na úroveň intenzivního sacího výkonu před vznikem páry. Spotřebu energie tak snížíte tím, že zařízení budete používat kratší dobu, protože bude mít dostatečný přívod vzduchu.
- Poklice nádobí nechte zakryté, abyste snížili vývoj páry.

3.3 Pokyny k použití

- Váš spotřebič má motor, který pracuje různými rychlostmi.
- Pro dosažení lepší výkonnosti doporučujeme za normálních podmínek používat nízké rychlosti a vysoké

3 Používání spotřebiče

rychlosti používat v případě silných zápachů a intenzivních par.

- Spotřebič můžete zapnout stisknutím tlačítka požadované rychlosti. (V1, V2, V3)
- Oblast vaření osvětlíte stisknutím tlačítka osvětlení (L).

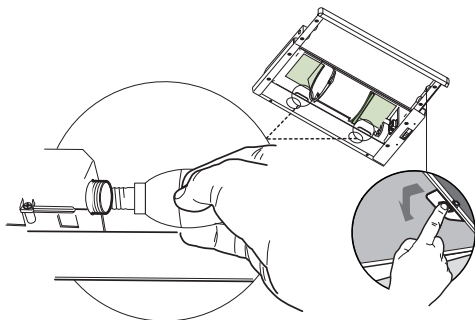
3.4 Výměna lampy




- Před výměnou žárovek odpojte napájení odsavače par.
- Nedotýkejte se žárovek, když jsou horké.
- Dávejte pozor, abyste nahrazené žárovky nedotýkaly přímo rukama.



Lampy si můžete pořídit u autorizovaných servisních zástupců.

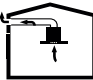


Žárovka	
Příkon žárovky	4 W
Držák/objímka	E14
Napětí žárovky	220 - 240 V
Kód ILCOS	D R B B / F - 4 - 2 2 0 - 240-E14-35/100
Velikost	35x100 mm


Světelný tok	400 lm
Související teplota barvy	3000 K

Tento výrobek obsahuje světelný zdroj třídy energetické účinnosti "F".

3.5 Používání s připojením ke kouřovodu

-  Pára je odsávána potrubím kouřovodu, které je upevněno k připojovací hlavě na digestoři.
- Průměr potrubí kouřovodu musí být stejný jako u připojovacího prstence. Při vodorovném nastavení musí mít potrubí mírný sklon směrem nahoru (kolem 10°), aby mohl vzduch snadněji odcházet z místnosti.

3.6 Používání bez připojení ke kouřovodu

-  Vzduch se filtruje přes uhlíkový filtr a recirkuluje v místnosti. Uhlíkový filtr se používá, když není v domě možné použít kouřovod.
- Při použití bez kouřovodu vyjměte klapky uvnitř adaptéru kouřovodu.
- Vyjměte olejový filtr. Chcete-li nainstalovat uhlíkový filtr, nasadte filtr na příchytky vystředěním na plastový díl na obou stranách tělesa ventilátoru. Utáhněte jej otáčením doprava nebo doleva.
- Vyměňte hliníkový olejový filtr.

4 Čištění a údržba

Zařízení by se mělo pravidelně čistit a udržovat. Pokud nebudete zařízení udržovat v čistotě, bude to mít negativní vliv na životnost zařízení. Při čištění a údržbě postupujte podle pokynů uvedených v příručce.



Před čištěním a údržbou odpojte spotřebič ze sítě nebo vypněte hlavní vypínač nebo uvolněte pojistku, která napájí odsavač par.



Nedodržení ustanovení týkajících se čištění zařízení a výměny filtrů může mít za následek riziko požáru. Proto se doporučuje dodržovat zde uvedené pokyny. Výrobce neodpovídá za poškození motoru nebo za požáry vzniklé v důsledku nesprávného používání.

Čistěte pouze pomocí hadříku navlhčeného v neutrálním tekutém čisticím prostředku. Nečistěte pomocí přístrojů nebo nástrojů. Nepoužívejte abrazivní produkty. Nepoužívejte alkohol

4.1 Čištění hliníkového tukového filtru

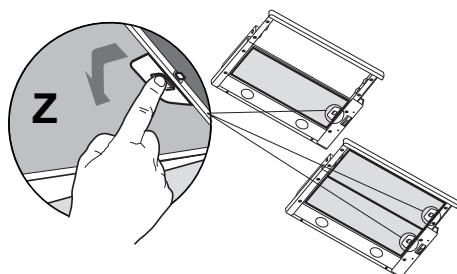
Tento filtr zachycuje ze vzduchu částice oleje. Za normálních podmínek použití doporučujeme vyčistit filtr každý měsíc. Nejdříve pro tento proces odstraňte tukový filtr. Filtry omyjte tekutým čisticím prostředkem, opláchněte je vodou a po uschnutí je znovu vložte. Hliníkové tukové filtry mohou při mytí vyblednout; je to normální a nemusíte měnit filtr.



Hliníkový filtr lze mýt v myčce nádobí



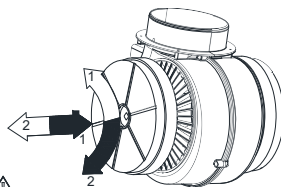
UPOZORNĚNÍ: V případě běžného používání hliníkový olejový filtr vyčistěte jednou za měsíc.



4.2 Výměna uhlíkového filtru (režim cirkulace vzduchu)

Digestoř může být vybaven filtrem s aktivním uhlím. Uhlíkový filtr se aplikuje pouze v případě, že není odsavač připojen k větracímu kanálu.

Při výměně uhlíkového filtru dávejte pozor na druh použité turbíny.



Symbol → Instalace filtru
Symbol ← Demontáž filtru

UPOZORNĚNÍ:

- Uhlíkový filtr se nikdy nemyje.
- V každém případě je nutné uhlíkový filtr vyměnit nejméně každé tři měsíce.
- Uhlíkový filtr je k dispozici v Autorizovaných servisech.

5 Nastavení zařízení



UPOZORNĚNÍ : Před nastavením si přečtěte bezpečnostní pokyny.



UPOZORNĚNÍ : Nezastavěných šroubů nebo upevňovacího zařízení v souladu s těmito pokyny může vést k úrazu elektrickým proudem.

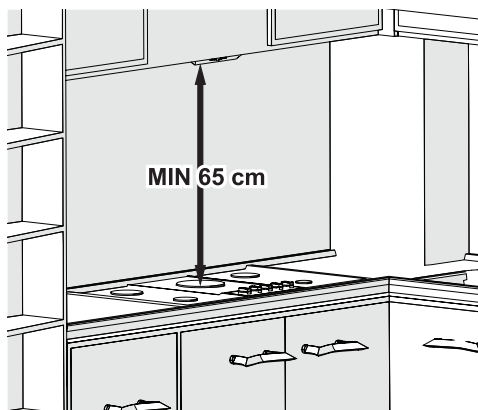


Instalační příručku najdete na straně 266.

Chcete-li si nechat digestoř nainstalovat, obraťte se na nejbližší autorizovaný servis.

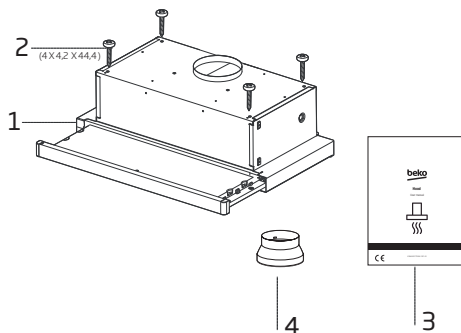
Za přípravu místa a elektrickou instalaci pro digestoř odpovídá zákazník.

5.1 Umístění spotřebiče



- Před instalací je nutno zvážit vzdálenost mezi sporákem a digestoří. Tato vzdálenost by měla být 65 cm.
- U plynových sporáků se vzdálenost musí měřit od povrchu roštu, u elektrických sporáků od povrchu skla.

5.2 Instalační příslušenství



1. Digestoř
2. 4 x 4,2 x 44,4 šrouby
3. Návod na použití
4. 1 x Ø120/150 mm adaptér na plastový odvod

5.3 Skladování

- Pokud nechcete přístroj používat delší dobu, patrně ho uložte.
- Ujistěte se, že je trouba odpojena od elektrické sítě, vychlazená a zcela suchá.
- Spotřebič skladujte na chladném a suchém místě.
- Držte přístroj mimo dosah dětí.

5.4 Zacházení a přeprava

- Během manipulace a přepravy uchovávejte přístroj v původním obalu. Balení chrání spotřebič před fyzickým poškozením.
- Na zařízení ani na obal nepokládejte těžká břemena. Může dojít k poškození spotřebiče.
- Pád přístroje může způsobit jeho nefunkčnost nebo trvalé poškození.

6 Řešení problémů

Řešení problémů	Důvod	Pomoc
Produkt nefunguje.	Zkontrolujte pojistky.	Vaše pojistka může být vybitá, zprovozněte ji.
Produkt nefunguje.	Zkontrolujte elektrické připojení.	Síťové napětí má být mezi 220-240 V.
Produkt nefunguje.	Zkontrolujte elektrické připojení.	Zkontrolujte, zda fungují ostatní výrobky v kuchyni.
Lampa osvětlení nefunguje.	Zkontrolujte elektrické připojení.	Síťové napětí má být mezi 220-240 V.
Lampa osvětlení nefunguje.	Zkontrolujte spínač lampy.	Spínač lampy musí být v poloze "zapnuto".
Lampa osvětlení nefunguje.	Zkontrolujte lampu.	Lampy produktu nesmí být vadné.
Přívod vzduchu do výrobku je slabý.	Zkontrolujte hliníkový filtr.	Hliníkový filtr na olej za obvyklého používání je třeba vyčistit alespoň jednou za měsíc.
Přívod vzduchu do výrobku je slabý.	Zkontrolujte kryt vzduchovodu.	Vzduchovod musí být v poloze "zapnuto".
Přívod vzduchu do výrobku je slabý.	Zkontrolujte uhlíkový filtr.	U výrobků s uhlíkovými filtry filtr obvykle vyměňujete každé 3 měsíce.

Најпре прочитајте овај приручник!

Поштовани купци,

Захваљујемо вам што сте одабрали производ компаније Веко. Желимо да постигнете оптималну ефикасност овог висококвалитетног производа који је произведен уз примену врхунске технологије. Обавезно прочитајте и схватите у потпуности овај приручник и додатну документацију пре употребе, и исти чувати за накнадне референце. Не одвајајте овај приручник од јединице ако желите да је предате неком другом лицу. Придржавајте се свих упозорења и информација датих овде и следите упутства.

Имајте на уму да се овај кориснички приручник може примењивати на неколико модела производа. Приручник јасно указује на све варијације код различитих модела.

Симболи и њихова значења

Симболи наведени у наставку су употребљени у овом приручнику:



Важне информације и препоруке у вези с коришћењем уређаја.



ОПРЕЗ: Упозорења на личне повреде или оштећење имовине.



ОПРЕЗ: Упозорење за електрични удар.



Опасност од пожара.



Класа заштите од струјног удара.



1 Важна упутства у вези са безбедношћу и заштитом животне средине

1.1 Општа безбедност

Важна упутства у вези са безбедношћу пажљиво прочитајте и сачувајте их за будућу употребу. Овај одељак садржи упутства у вези са безбедношћу која ће вам помоћи у заштити од опасности од пожара, струјног удара, изложености цурењу микроталасне енергије, личних повреда или оштећења имовине. Непоштовање ових упутстава поништава одобрену гаранцију.

- Веко производи су у складу са важећим безбедносним стандардима; према томе, у случају било каквих оштећења на уређају или каблу за напајање, исте треба да поправи или замени продавач, сервисни центар или стручно лице и овлашћени сервис како

би се избегла било каква опасност. Неисправни или неквалификовани радови на поправци могу бити опасни и могу довести до опасности за корисника.

- Овај апарат је намењен за употребу у домаћинствима и сличним објектима као што су:
 - кухиње за запослене у продавницама, канцеларијама и другим радним окружењима;
 - куће на фармама;
 - од стране клијената у хотелима и осталим стамбеним окружењима;
 - објекти који нуде ноћење и доручак.
- Управљајте уређајем према предвиђеној намени само како је описано у овом упутству.
- Произвођач не може

1 Важна упутства у вези са безбедношћу и заштитом животне средине

бити одговоран за штету насталу непрописном уградњом или злоупотребом производа.

- Овај уређај могу да користе деца која имају 8 и више година, особе са непотпуно развијеним телесним, чулним или менталним способностима, као и особе које немају довољно потребног искуства и знања све док су под надзором или им се дају упутства у погледу безбедне употребе уређаја и док схватају ризике који су обухваћени употребом производа.
- Деца не смеју да се играју уређајем. Чишћење и корисничко одржавање не смеју да обављају деца без надзора.
- Минимална удаљеност између носеће површине посуда за

кување на плочи за кување и најнижег дела вашег производа мора бити најмање 65 цм.

- Ако је упутствима за уградњу плинске плоче дефинисана већа удаљеност, то се мора узети у обзир.
- Ваше мрежно напајање струјом мора бити у складу са информацијама на плочици на уређају.
- Никада не користите уређај ако је кабл за напајање или сам уређај оштећен.
- Спречите оштећење кабла за напајање тако што га нећете стискати, савијати или трљати по оштрим ивицама. Држите кабл за напајање даље од врућих површина и извора пламена.
- Уређај користите само са уземљеном утичницом.

1 Важна упутства у вези са безбедношћу и заштитом животне средине

УПОЗОРЕЊЕ: Не прикључујте уређај на напајање пре потпуне уградње уређаја.

- Поставите уређај на начин да утикач буде увек доступан.
- Не дирајте лампице ако су дуго радиле. Могу вам створити опекотине на рукама јер ће бити загрејане.
- Придржавајте се прописа који су утврдили надлежни органи о испусту издувног ваздуха (ово упозорење није применљиво за употребу без димњака).
- Укључите уређај након што ставите лонац, таву итд. на плочу за кување. У супротном, велика топлота може проузроковати деформације у неким деловима вашег производа.
- Искључите плочу пре

него што са ње склоните лонац, таву итд.

- Не остављајте вруће уље на плочи за кување. Посуде са врућим уљем могу изазвати само-сагоревање.
- Обратите пажњу на завесе и прекриваче, јер се уље може запалити док спремате храну као што је помфрит.
- Филтер за масноће треба чистити најмање једном месечно. Карбонски филтер се мора заменити најмање једном у свака 3 месеца.
- Производ се чисти у складу са упутством за коришћење. Ако чишћење није извршено у складу с упутствима за коришћење, може доћи до опасности од пожара.
- Не користите материјале за филтрирање који нису отпорни на ватру уместо тренутног филтера.

1 Важна упутства у вези са безбедношћу и заштитом животне средине

- Користите само оригиналне делове или делове које је препоручио произвођач.
 - Не користите производ без филтера и не уклањајте филтере док је производ у функцији.
 - У случају појаве пламена, искључите ваш производ и уређаје за кување са напајања електричном енергијом.
 - У случају појаве пламена, прекријте пламен и никада не користите воду за гашење.
 - Искључите уређај са напајања пре сваког чишћења и када уређај не користите.
 - Негативни притисак у околини не би требало да пређе 4 Pa (4 x 10 бара) док истовремено раде аспиратор за електричну плочу и уређаји који раде на другој врсти енергије а не на струју.
 - У окружењу у којем се користи уређај, испусни отвор уређаја који раде на лож-гориво или плин, као што су собна грејна тела, мора бити апсолутно изолован или уређај треба да буде херметичног типа.
 - При повезивању одводне цеви користите цеви пречника 120 или 150 mm. Прикључак цеви мора бити што краћи и имати што је могуће мање преламања.
- Опасност од гушења!** Амбалажу држите ван дохвата деце.
- ОПРЕЗ:** Приступачни делови се могу загријати када се користе са уређајима за кување.
- Излазни отвор производа не сме бити повезан са ваздушним каналима који спроводе

1 Важна упутства у вези са безбедношћу и заштитом животне средине

другу врсту дима.

- Вентилација у просторији може бити недовољна када се аспиратор за електричну плочу користи истовремено са уређајима који раде на плин или друга горива (ово можда није применљиво на уређаје који само доводе ваздух у просторију).
- Предмети стављени на производ могу пасти. Не стављајте никакве предмете на производ.
- Не фламбирајте храну испод производа.

УПОЗОРЕЊЕ: Пре уградње аспиратора уклоните заштитне фолије.

- Никада не остављајте високо отворен пламен испод аспиратора док је исти у функцији
- Фритезе са дубоким уљем морају се непрестано надгледати

током употребе: прегрејано уље може да плане.

1.2 Усаглашеност са WEEE директивом и одлагање отпада:

Овај производ је усаглашен са WEEE директивом Европске уније (2012/19/EU). Овај уређај поседује симбол класификације за отпад електричне и електронске опреме (WEEE).

Овај симбол означава да се овај производ не сме одлагати заједно с осталим отпадом из домаћинства на крају његовог радног века. Коришћени уређај мора се вратити на службено сабирно место за рециклирање електричних и електронских уређаја. Да бисте пронашли ове сабирне системе, обратите се локалним надлежним телима или продавцу где је производ купљен. Свако домаћинство има важну улогу у опораци и рециклажи старих уређаја. Одговарајуће одлагање искоришћеног уређаја помаже у спречавању потенцијалних негативних последица по животну средину и здравље људи.

1.3 Усклађеност са директивом RoHS

Производ који сте купили у сагласности је са RoHS директивом Европске уније (2011/65/EU). Он не садржи штетне и забрањене материјале наведене у Директиви.

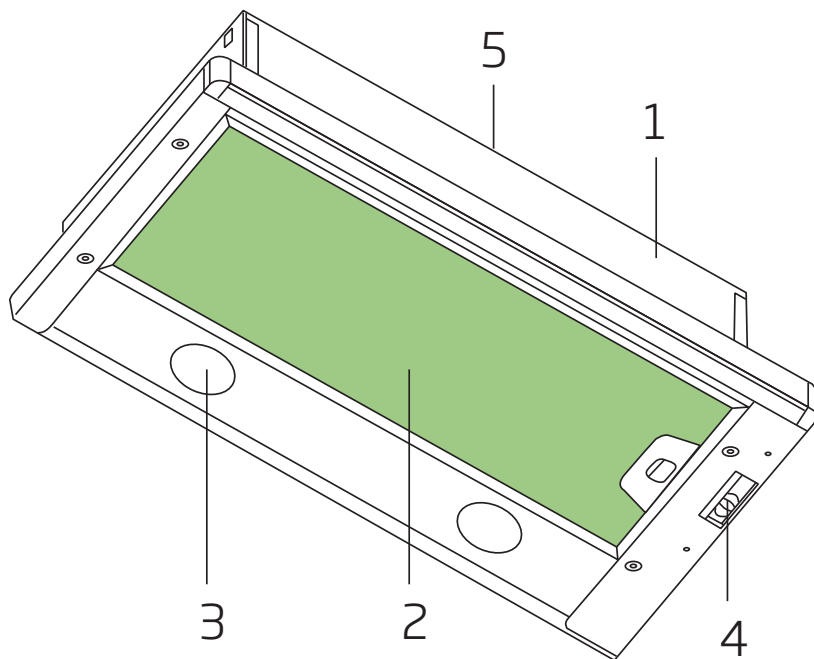
1.4 Информације о паковању



Амбалажни материјали овог производа су направљени од материјала који могу да се рециклирају у складу са националним прописима о заштити животне средине. Амбалажне материјале не одлагати заједно са отпадом из домаћинства или другим отпадом. Однесите их на места за прикупљање амбалажног материјала одређена од стране локалних надлежних тела.

2 Општи изглед

2.1 Приказ



1. Главни део
2. Алуминијумски филтер за масноће
3. Светло
4. Контролна табла
5. Димњак

2.2 Технички подаци

Модел	СТВ 6250 X СТВ 6250 В СТВ 6250 W СТВ 6250 ХН	СТВ 9250 X СТВ 9250 ХН
Напон	220-240V ~ 50 Hz	
Снага лампице	2x4 W	
Снага мотора	1 x 140 W	
Проток ваздуха – 3. Ниво	420 m ³ /h	
Класа изолације	КЛАСА II	

3 Коришћење уређаја

3.1 Контролна табла

	
L : Осветљење	Укључује и искључује сијалице.
M : Мотор	Укључује и искључује мотор аспиратора.
V : Брзина	Подешава брзину рада аспиратора: 1. Мала брзина, користи се за непрекидан и нечујан проток ваздуха у случају мале количине кухињских испарења. 2. Средња брзина, погодна за већину радних услова, пружа оптималан однос количине ваздуха и буке. 3. Највећа брзина, користи се за уклањање највећих количина кухињских испарења, чак и у дужем периоду.

- Аспиратор је дизајниран искључиво за кућну употребу како би се уклонили кухињски мириси.
- Никада не користите аспиратор у друге сврхе осим за оне за које је дизајниран.
- Никада не остављајте високо отворен пламен испод аспиратора док је исти у функцији.
- Подесите интензитет пламена да га усмерите само на дно посуде пазећи да не захвати бочне странице.
- Фритезе са дубоким уљем морају се непрестано надгледати током употребе: прегрејано уље може да плану.

3.2 Ефикасна употреба у сврху уштеде енергије

- Кад користите уређај, подесите поставке брзине према интензитету паре и мириса, да бисте уштедели енергију.
- Користите ниске брзине (1-2) у нормалним условима, а велике брзине (3) за интензиван мирис и испаравање.
- Лампице на аспиратору су постављене за осветљавање подручја кувања.
- Њихова употреба за осветљење околног простора узроковаће непотребне трошкове енергије и недовољно осветљење.
- Da bi vaš uređaj trošio manje energije, pokrenite ga pri maloj brzini.
- Vaš uređaj će smanjiti potrošnju energije jer će raditi efikasnije kada mu obezbedite dovoljan unos vazduha.
- Podesite uređaj na intenzivnu snagu usisavanja pre stvaranja pare, u slučajevima kada znate da će doći do guste pare. Dakle, smanjujete potrošnju energije tako što ćete svoj uređaj koristiti kraće vreme jer će imati dovoljan unos vazduha.

3 Коришћење уређаја

- Držite poklopce posuđa zatvorenim da biste smanjili stvaranje pare.

3.3 Рад аспиратора

- Ваш уређај има мотор с различитим брзинама.
- За бољи учинак препоручујемо употребу ниских брзина у нормалним условима и велике брзине у случају јаких мириса и интензивне паре.
- Уређај можете покренути притиском на типку за подешавање жељене брзине. (V1,V2,V3)
- Подручје за кување можете осветлити притиском на лампицу. (L)

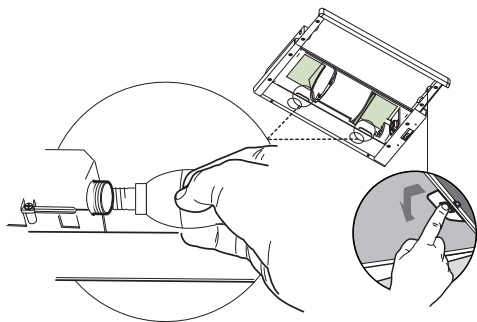
3.4 Замена лампице



- Пре замене сијалица, искључите напајање аспиратора.
- Не дирајте сијалице када су вруће.
- Пазите да директно не додирнете замењену сијалицу рукама.



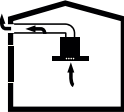
Лампице можете набавити од агената овлашћених сервиса.



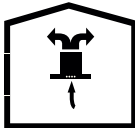
Сијалица	
Снага сијалице	4 W
Држач/утичница	E14
Напон сијалице	220 - 240 V
ILCOS код	DRBB/F-4-220-240-E14-35/100
Величина	35x100 mm
Svetlosni tok	400 lm
Odgovarajuća temperatura boje	3000 K

Ovaj proizvod sadrži izvor svetla klase energetske efikasnosti F.

3.5 Рад са прикључком на димњак

-  Пара се одводи кроз димоводни канал, који је причвршћен на прикључну главу на аспиратору.
- Промер димоводног канала мора бити исти као и прикључни прстен. У хоризонталним поставкама цев мора имати благи нагиб према горе (око 10°) да би ваздух могао лако изаћи из просторије.

3.6 Рад без прикључка на димњак

-  Ваздух се филтрира кроз карбонски филтер и рециркулира у просторији. Карбонски филтер се користи када није могуће користити димовод у кући.
- У случају употребе без димовода, уклоните заклопке унутар адаптера за димовод.

3 Коришћење уређаја

- Уклоните алуминијски филтер за масноће. Да бисте уградили карбонски филтер, филтер наместите на језичке тако што ћете га центрирати на пластични комад с обе стране кућишта вентилатора. Затегните га окретањем удесно или улево.
- Замените алуминијски филтер за масноћу.

4 Чишћење и одржавање

Уређај треба редовно čistiti i održavati. Ако уређај не одржавате čistим, то ће негативно uticati на радни век уређаја. Што се тиче чишћења и одржавања, пратите упутства наведена у приручнику.



Пре чишћења и одржавања, искључите уређај са напајања или искључите главни прекидач или отпустите осигурач који напаја аспиратор.



Непоштовање одреdbи veza-nih за чишћење уређаја и замену filtera може довести до опасности од пожара. Због тога се препоручује да се придржавате овде наведених smernica. Произвођач није одговоран за оштећења мотора или пожаре који настају услед неправилне употребе.

Очистите само крпом навлаженом неутралним течним детерџентом. Не чистите алатима нити инструментима. Не користите абразивне производе. Не користите алкохол.

4.1 Чишћење алуминијског филтера за масноће

Овај филтер сакупља честице уља у ваздуху. Препоручује се чишћење вашег филтера сваког месеца при

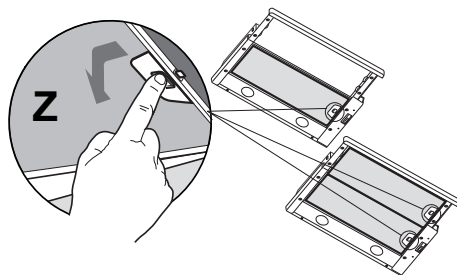
нормалним условима коришћења. Прије овог поступка уклоните филтере за масноће. Оперите филтере течним детерџентом и исперите их водом и вратите натраг након што се осуше. Алуминијумски филтери за масноће могу променити боју током прања; ово је нормално и не морате да мењате филтер.



Алуминијски филтери за масноћу можете опрати у машини за прање судова.



ОПРЕЗ: У случају нормалне употребе, очистите филтер једном месечно.



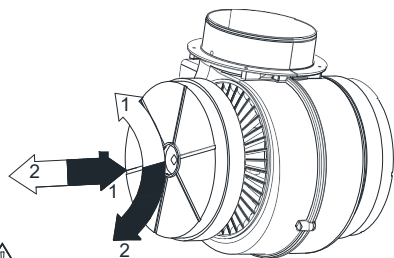
4.2 Промена карбонског филтера (режим циркулације ваздуха)

Аспиратор се може опремити карбонским филтером. Карбонски филтер се примењује само у случају

4 Чишћење и одржавање

када аспиратор није повезан са каналом за одвод ваздуха.

Приликом замене карбонског филтера обратите пажњу на врсту коришћене турбине.



Симбол → Уградња филтера
Симбол ⇐ Демонтажа филтера

ОПРЕЗ

- Карбонски филтер се никада не пере.
- Замените карбонске филтере једном свака 3 месеца.
- Карбонски филтер можете набавити код овлашћених сервиса.



5 Подешавање уређаја



УПОЗОРЕЊЕ: Пре започињања уградње прочитајте безбедносне информације у корисничком приручнику.



УПОЗОРЕЊЕ: Ако не поставите шrafoве или уређај за причвршћивање у складу с овим упутствима, може доћи до опасности од електричне енергије.

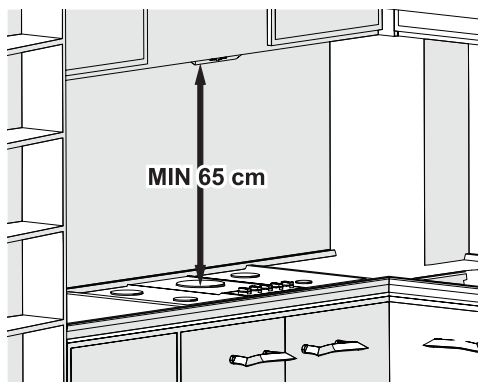


Погледајте на страници 266 инструкције за уградњу

За уградњу аспиратора обратите се најближем овлашћеном сервису.

Корисник је одговоран да припреми локацију и електричну инсталацију за аспиратор.

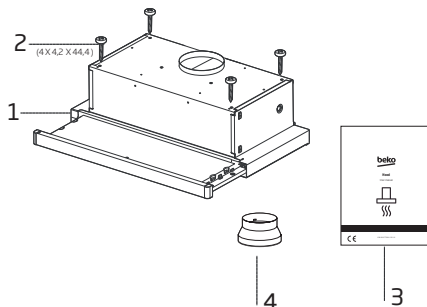
5.1 Положај уређаја



- Пре монтирања мора се узети у обзир удаљеност између штедњака и аспиратора. Та удаљеност треба да буде 65 cm.
- Удаљеност се мора мерити од површине решетке за плинске

штедњаке, од површине стакла за електричне штедњаке.

5.2 Прибор за уградњу



1. Аспиратор
2. 4 X 4,2 X 44,4 шrafoви
3. Упатство за употреба
4. 1 x Ø120/150 mm пластични адаптер за димовод

5.3 Чuvanje

- Ако не planirate да користите уређај дуђе време, molimo Вас да га пажљиво одложите.
- Molimo вас, proverite да ли је уређај искључен, хладан и потпуно сув.
- Oставите уређај на суво и хладно место.
- Држите уређај ван домађаја деце.

5.4 Baratanje i transport

- Tokom premeštanja i transporta nosite уређај спакован у originalну амбалажу. Амбалажа штити уређај од физичких оштећења.
- Ne стављajte терет на уређај или на амбалажу. Уређај се може оштетити.
- Pazите да Вам уређај не падне на под, jer то може изазвати трајна оштећења и квар уређаја.

6 Решавање проблема

Решавање проблема	Изворни разлог	Помоћ
Уређај не ради.	Проверите осигураче.	Можда је осигурач прегорио, проверите и вратите га.
Уређај не ради.	Проверите прикључак на напајање електричном енергијом.	Напон мреже мора бити између 220 и 240 V.
Уређај не ради.	Проверите прикључак на напајање електричном енергијом.	Проверите раде ли други уређаји у вашој кухињи.
Расветна лампица не ради.	Проверите прикључак на напајање електричном енергијом.	Напон мреже мора бити између 220 и 240 V.
Расветна лампица не ради.	Проверите прекидач за лампицу.	Прекидач за лампицу мора бити у положају „Укључено“.
Расветна лампица не ради.	Проверите лампице.	Лампице уређаја морају светлити.
Довод ваздуха у уређају није довољан.	Проверите алуминијски филтер.	У нормалним радним условима, алуминијски филтер за масноћу се чисти најмање једном месечно.
Довод ваздуха у уређају није довољан.	Проверите одвод ваздуха (димовод).	Прекидач за одвод ваздуха (димњак) треба да буде у положају „Укључено“.
Довод ваздуха у уређају није довољан.	Проверите карбонски филтер.	Филтере уређаја с карбонским филтерима треба заменити једном у 3 месеца у нормалним условима.

Najskôr si prečítajte túto používateľskú príručku!

Vážený zákazník,

Ďakujeme vám, že ste si vybrali tento spotrebič značky Beko. Dúfame, že s týmto spotrebičom, ktorý bol vyrobený vo vysokej kvalite a s najmodernejšími technológiami, dosiahnete tie najlepšie výsledky. Z tohto dôvodu si pred použitím spotrebiča pozorne prečítajte celú túto používateľskú príručku a všetky ostatné sprievodné dokumenty a uschovajte ich pre prípad potreby do budúcnosti. Ak dáte spotrebič niekomu inému, dajte mu tiež používateľskú príručku. Postupujte podľa pokynov a venujte pozornosť všetkým informáciám a varovaniam v používateľskej príručke.

Pamätajte, že sa táto používateľská príručka môže vzťahovať aj na iné modely. Rozdiely medzi modelmi budú v príručke výslovne popísané.

Význam symbolov

V rôznych častiach tejto používateľskej príručky sú použité nasledujúce symboly:



Dôležité informácie a užitočné tipy na použitie.



VAROVANIE: Upozornenia na nebezpečné situácie týkajúce sa ohrozenia života a majetku.



VAROVANIE: Upozornenia na nebezpečenstvo požiaru.



VAROVANIE: Varovanie pred zásahom elektrickým prúdom.



Trieda ochrany pred zásahom elektrickým prúdom.



1 Dôležité pokyny týkajúce sa bezpečnosti a životného prostredia

1.1 Všeobecná bezpečnosť

Dôležité bezpečnostné pokyny: Dôkladne si ich prečítajte a uschovajte pre nahliadnutie v budúcnosti

Táto časť obsahuje bezpečnostné pokyny, ktoré pomôžu ochrániť pred zranením osôb, poškodením majetku, vznikom požiaru alebo pred zásahom elektrickým prúdom. Nedodržanie týchto pokynov zruší platnosť akejkoľvek záruky.

- Produkty Beko spĺňajú platné bezpečnostné štandardy. V prípade akéhokoľvek poškodenia spotrebiča alebo napájacieho kábla musí byť oprava alebo výmena vykonaná predajcom, servisným centrom alebo odborníkom z autorizovaného servisu, aby sa predišlo akémukoľvek nebezpečenstvu. Chybná alebo neodborná oprava môže pre užívateľa predstavovať nebezpečenstvo a riziko.
- Tento spotrebič je určený len na použitie v domácnostiach a podobných prostrediach, ako sú napríklad:

- kuchynky pre zamestnancov v obchodoch, kanceláriách a iných pracovných prostrediach,
 - budovy na farmách,
 - priestory pre klientov v hoteloch, motelloch a ďalších obytných prostrediach,
 - prostredia ubytovania typu Bed and Breakfast.
- Spotrebič používajte iba na určený účel, ako je popísané v tomto návode.
 - Výrobca nenesie žiadnu zodpovednosť za žiadne škody spôsobené nesprávnou alebo nevhodnou inštaláciou alebo nevhodným používaním produktu.
 - Tento spotrebič môžu používať deti staršie ako 8 rokov a osoby so zníženými fyzickými, vnemovými alebo mentálnymi schopnosťami, prípadne nedostatkom skúseností a vedomostí, pokiaľ sú počas prevádzky spotrebiča pod náležitým dozorom alebo sú im dané inštrukcie o bezpečnom používaní spotrebiča a sú si ve-

1 Dôležité pokyny týkajúce sa bezpečnosti a životného prostredia

domí sprievodných rizík.

- Deťom nesmie byť dovolené hrať sa so spotrebičom. Deti bez dozoru nesmú vykonávať čistenie ani používateľskú údržbu.
- Minimálna vzdialenosť medzi varnými plochami sporáka a najnižšou časťou odsávača musí byť najmenej 65 cm.
- Ak sa v pokynoch pre plynový sporák uvádza väčšia vzdialenosť, musíte ju zohľadniť.
- Skontrolujte, či vaše napájanie zodpovedá informáciám uvedeným na štítku spotrebiča.
- Nikdy nepoužívajte spotrebič, ak je napájací kábel alebo samotný spotrebič poškodený.
- Zabráňte poškodeniu napájacieho kábla tým, že zabránite jeho pritlačeniu, ohýbaniu alebo odieraniu sa o ostré hrany. Napájací kábel udržiavajte mimo horúcich povrchov a otvoreného ohňa.
- Spotrebič zapájajte iba do uzemnenej zásuvky.

VAROVANIE: Spotrebič nepripájajte k elektrickej sieti, kým úplne nedokončíte inštaláciu.

- Spotrebič umiestnite tak, aby bola zástrčka vždy prístupná.
- Nedotýkajte sa lúčov, ak boli v prevádzke po dlhý čas. Keďže sú horúce, mohli by ste si popáliť ruky.
- Dodržiavajte predpisy vydané kompetentnými úradmi týkajúce sa vypúšťania odsávaného vzduchu (toto neplatí pre použitie bez dymovodu).
- Váš spotrebič spustíte len vtedy, ak je na varnej doske hrniec, panvica atď. V opačnom prípade môže teplo spôsobiť deformáciu niektorých častí vášho spotrebiča.
- Varnú dosku vypnite pred tým, ako z nej zložíte hrniec, panvicu a pod.
- Na varnej doske nenechávajte horúci olej. Panvice s horúcim olejom môžu zapríčiniť samovznietenie.
- Dávajte pozor na závesy a prikrývky, keďže by olej pri tepelnej

1 Dôležité pokyny týkajúce sa bezpečnosti a životného prostredia

úprave mohol vzbĺknuť, napr. pri smažení.

- Filter mastnoty sa musí vymieňať aspoň raz mesačne. Uhlíkový filter sa musí vymieňať aspoň každé 3 mesiace.
- Spotrebič musí byť čistený v súlade s používateľskou príručkou. Ak čistenie nebolo vykonané v súlade s používateľskou príručkou, môže hroziť nebezpečenstvo požiaru.
- Súčasné filtre nenahrádzajte materiálmi, ktoré nie sú ohňovzdorné.
- Používajte len originálne časti odporúčané výrobcom.
- Spotrebič nespúšťajte bez filtra a filtre nevyberajte počas prevádzky spotrebiča.
- V prípade, ak sa na spotrebiči objavia plamene, odpojte spotrebič aj zariadenia určené na varenie od elektrickej siete.
- V prípade vzniku ohňa zakryte plamene a nikdy nepoužívajte vodné hasiace prístroje.
- Spotrebič odpojte pred každým

čistením a v prípade, že ho nepoužívate.

- Negatívny tlak prostredia by nemal presiahnuť 4 Pa (4 x 10 bar), pokiaľ je digestor pre elektrickú varnú dosku v prevádzke súčasne so spotrebičmi fungujúcimi na inom type energie.
- V prostredí, kde je tento spotrebič používaný, musia byť výfuky zariadení fungujúcich na palivách, ako je olej alebo plyn, napr. izbové vykurovacie telesá, úplne oddelené alebo tieto zariadenia musia byť hermetického typu.
- Pri montáži dymovodu použite potrubie s priemerom 120 mm alebo 150 mm. Pripojenie cez potrubie musí byť čo najkratšie a mať čo najmenej kolien.

Nebezpečenstvo udusenía!

Všetky obaly uchovajte mimo dosahu detí.

VÝSTRAHA: Prístupné časti sa počas súčasného používania so spotrebičmi na varenie môžu zahriať.

- Výfuk spotrebiča nesmie byť napojený na vzduchové potrubia,

1 Dôležité pokyny týkajúce sa bezpečnosti a životného prostredia

ktoré obsahujú iný dym.

- Vetranie miestnosti môže byť nedostatočné, ak sa digestor pre elektrické varné dosky používa súčasne so zariadeniami využívajúcimi plyn alebo iné palivá (toto sa nevzťahuje na zariadenia, ktoré vypúšťajú vzduch späť do tej istej miestnosti).
- Predmety položené na spotrebič môžu spadnúť. Na spotrebič nekladte žiadne predmety.
- Pod spotrebičom neflambujte.

VAROVANIE: Pred inštaláciou digestora odstráňte ochranné fólie.

- Počas prevádzky pod digestorom nikdy nenechávajte vysoké priame plamene.
- Fritézy sa musia počas používania nepretržite monitorovať: prehriaty olej môže vzplanúť.

1.2 Súlad so smernicou o OEEZ a likvidácia vyradeného produktu:

Tento výrobok je v súlade so smernicou o OEEZ. (2012/19/EU). Tento výrobok je označený klasifikačným symbolom pre odpad z elektrických a elektronických zariadení (OEEZ).



Tento symbol znamená to, že tento výrobok sa na konci jeho životnosti nesmie likvidovať spolu s iným domácim odpadom.

Použitú spotrebiče sa musia odovzdať na oficiálnych zberných miestach na recykláciu elektrických a elektronických zariadení. Obráťte sa na miestne úrady alebo na predajcu, u ktorého ste si výrobok zakúpili, a informujte sa o umiestnení zberných zariadení. Každá domácnosť zohráva dôležitú úlohu v obnove a recyklácii starých spotrebičov. Správna likvidácia starého spotrebiča pomáha predísť možným negatívnym následkom pre životné prostredie a ľudské zdravie.

1.3 Súlad so smernicou RoHS

Výrobok, ktorý ste si zakúpili, vyhovuje smernici EÚ RoHS (2011/65/EÚ). Neobsahuje škodlivé ani zakázané materiály špecifikované v tejto smernici.

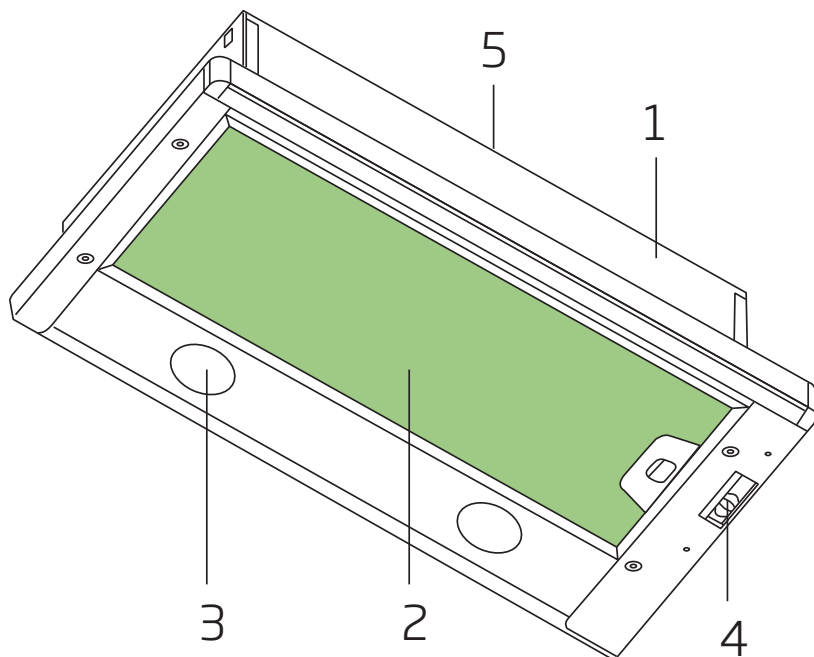
1.4 Informácie o balení



Obalové materiály tohto výrobku sú vyrobené z recyklovateľných materiálov v súlade s našimi Národnými environmentálnymi predpismi. Baliaci materiál nelikvidujte spolu s domovým odpadom alebo inými druhmi odpadu. Odneste ich na zberné miesto baliaceho materiálu, určené miestnymi úradmi.

2 Všeobecný vzhl'ad

2.1 Prehl'ad



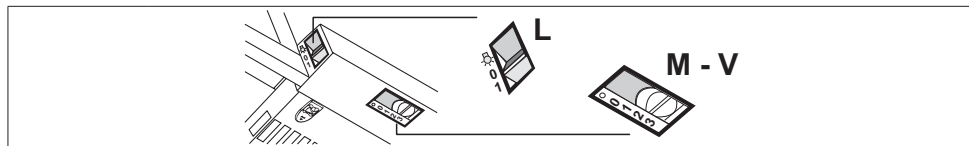
1. Hlavná jednotka
2. Hliníkový tukový filter
3. Osvetlenie
4. Ovládací panel
5. Komín

2.2 Technické údaje

Model	CTB 6250 X CTB 6250 B CTB 6250 W CTB 6250 XH	CTB 9250 X CTB 9250 XH
Napájacie napätie	220-240V ~ 50 Hz	
Napájanie svetla	2x4 W	
Výkon motora	1 x 140 W	
Prietok vzduchu – 3. Úroveň	420 m ³ /h	
Izolačná trieda	II TRIEDA	

3 Používanie spotrebiča

3.1 Ovládací panel



L : Osvetlenie	Zapína a vypína zariadenie osvetlenia.
M : Motor	Zapína a vypína motor nasávania.
V : Rýchlosť	Určuje pracovnú rýchlosť: 1. Minimálna rýchlosť, vhodná na nepretržitú výmenu vzduchu, chod je mimoriadne tichý, vhodná, ak sa pri varení tvorí málo pár. 2. Stredná rýchlosť, vhodná pre väčšinu pracovných podmienok vzhľadom na optimálny pomer prietoku ošetrovaného vzduchu a hladinu hlučnosti. 3. Maximálna rýchlosť, vhodná pri podmienkach maximálnej tvorby pár pri varení, aj dlhodobo.

- Odsávač pár bol navrhnutý výlučne na použitie v domácnosti, pre eliminovanie zápachu v kuchyni.
- Nikdy nepoužívajte odsávač pár na iné účely, ako na ktorý bol navrhnutý.
- Keď je digestor v prevádzke, nikdy nenechávajte pod digestorom vysoké plamene.
- Intenzitu plameňa nastavte tak, aby smerovala iba na spodnú časť panvice a uistite sa, že nesiahajú na boky.
- Fritézy s obsahom tuku sa musia počas používania nepretržite monitorovať: prehriaty olej môže vzplánuť.

3.2 Efektívne využitie z hľadiska Úspory energie

- Pri používaní spotrebiča, upravte nastavenie rýchlosti podľa intenzity pary a zápachov, z dôvodu šetrenia energie.
- Používajte nízku rýchlosť (1-2) za obvyklých podmienok a vysokú rýchlosť (3) pri intenzívnom zápachu a pary.
- Lampy na odsávači sú umiestnené pre osvetlenie priestoru na varenie.
- Ich používanie na osvetlenie priestoru bude viesť k zbytočným výdavkom energie a k nedostatočnému osvetleniu.
- Ak chcete, aby zariadenie spotrebovalo menej energie, spúšťajte ho pri nízkych otáčkach.
- Vaše zariadenie zníži spotrebu energie, pretože bude pracovať efektívnejšie, keď mu zabezpečíte dostatočný prívod vzduchu.
- V prípadoch, keď viete, že dôjde k vytvoreniu hustej pary, nastavte zariadenie na úroveň intenzívneho sacieho výkonu pred vznikom pary. Spotrebu energie tak znížite tým, že zariadenie budete používať kratší čas, pretože bude mať dostatočný prívod vzduchu.
- Pokrievky riadu nechajte zakryté, aby ste znížili vývin pary.

3.3 Ovládanie Odsávača pár

- Váš spotrebič obsahuje motor, ktorý má premenlivú rýchlosť.
- Pre lepšiu výkonnosť odporúčame používať nízke rýchlosti za normálnych podmienok a vysoké rých-

3 Používanie spotrebiča

losti v prípade silných zápachov a intenzívnych výparov.

- Spotrebič môžete spustiť stlačením tlačidla požadovaného nastavenia rýchlosti. (V1, V2, V3)
- Varnú zónu môžete osvetliť stlačením lampy. (L)

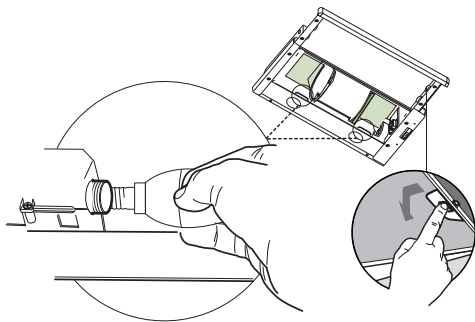
3.4 Výmena lampy




- Pred výmenou žiaroviek odpojte napájanie odsávača pár.
- Nedotýkajte sa žiaroviek, keď sú horúce.
- Dávajte pozor, aby ste sa vymenenej žiarovky nedotýkali priamo rukami.



Lampy si môžete zaobstarať u autorizovaných servisných zástupcov.

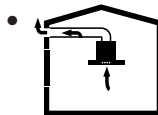


Žiarovka	
Výkon žiarovky	4 W
Držiak / zásuvka	E14
Napätie žiarovky	220 - 240 V
ILCOS kód	D R B B / F - 4 - 2 2 0 - 240-E14-35/100
Veľkosť	35x100 mm

Svetelný tok	400 lm
Súvisiaca teplota farby	3000 K

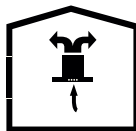
Tento výrobok obsahuje svetelný zdroj triedy energetickej účinnosti "F".

3.5 Prevádzka s komínom



- Para sa odvádza cez komínové potrubie, ktoré je pripojené k pripojovacej hlave na odsávači pár.
- Priemer komína musí byť rovnaký ako spojovací krúžok. V horizontálnych nastaveniach musí mať potrubie mierny sklon nahor (okolo 10 °), aby mohol vzduch ľahko unikať z miestnosti.

3.6 Prevádzka bez komína



- Vzduch sa filtruje cez uhlíkový filter a recirkuluje v miestnosti. Uhlíkový filter sa používa, keď nie je možné v dome použiť komín.
- Pri bezprúdovom používaní odstráňte klapky vo vnútri komínového adaptéra.
- Odstráňte hliníkové tukové kazety. Ak chcete nainštalovať uhlíkový filter, nasadte filter na úchytky centrovaním na plastový kus na oboch stranách tela ventilátora. Dotiahnite ho otočením doprava alebo doľava.
- Vymeňte hliníkový tukový filter.

4 Čistenie a údržba

Zariadenie by sa malo pravidelne čistiť a udržiavať. Ak nebudete zariadenie udržiavať v čistote, bude to mať negatívny vplyv na životnosť zariadenia. Pri čistení a údržbe postupujte podľa pokynov uvedených v príručke.



Pred čistením a údržbou odpojte spotrebič zo siete alebo vypnite hlavný vypínač alebo uvoľnite poistku, ktorá napája odsávač pár.



Nedodržanie ustanovení týkajúcich sa čistenia zariadenia a výmeny filtrov môže mať za následok riziko požiaru. Preto sa odporúča dodržiavať tu uvedené pokyny. Výrobca nezodpovedá za poškodenie motora alebo za požiare vzniknuté v dôsledku nesprávneho používania.

Čistite iba pomocou handričky navlhčenej v neutrálnom tekutom čistiacom prostriedku. Nečistite pomocou prístrojov alebo nástrojov. Nepoužívajte abrazívne prostriedky. Nepoužívajte alkohol.

4.1 Čistenie hliníkového tukového filtra

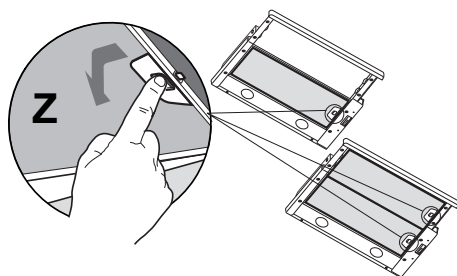
Tento filter zachytáva zo vzduchu častice oleja. Za normálnych podmienok používania vám odporúčame vyčistiť filter každý mesiac. Najskôr pre tento proces odstráňte tukový filter. Filtre umyte tekutým čistiacim prostriedkom, opláchnite ich vodou a po uschnutí ich znovu vložte. Hliníkové tukové filtre môžu pri umývaní vyblednúť; je to normálne a nemusíte meniť filter.



Hliníkový filter môžete umývať v umývačke riadu



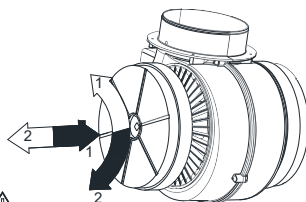
VÝSTRAHA: V prípade normálneho používania vyčistite filter raz za mesiac.



4.2 Výmena uhlíkového filtra (režim cirkulácie vzduchu)

Digestor môže byť vybavený filtrom s aktívnym uhlím. Uhlíkový filter sa aplikuje iba v prípade, ak nie je odsávač pár pripojený k vetraciemu kanálu.

Pri výmene uhlíkového filtra dávajte pozor na druh použitej turbíny.



Symbol Inštalácia filtra
Symbol Demontáž filtra

POZOR:

- Uhlíkový filter sa nikdy neumýva.
- V každom prípade je nutné uhlíkový filter vymeniť najmenej každé tri mesiace.
- Uhlíkový filter je k dispozícii v Autorizovaných servisoch.

5 Nastavenie zariadenia



UPOZORNENIE : Pred nastavením si prečítajte bezpečnostné pokyny.



UPOZORNENIE : Neinštalovanie skrutiek alebo upevňovacieho zariadenia v súlade s týmito pokynmi môže viesť k úrazu elektrickým prúdom.

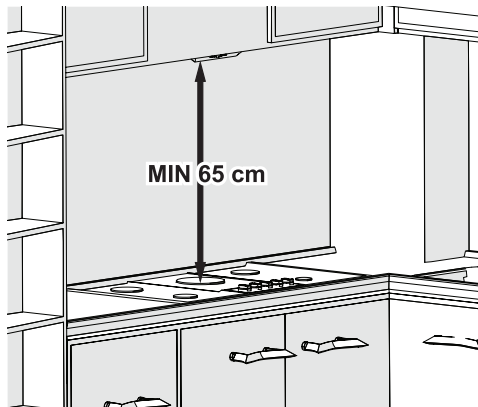


Inštaláciu príručku nájdete na strane 266.

Ak chcete nainštalovať odsávač pár, kontaktujte najbližšiu autorizovanú službu.

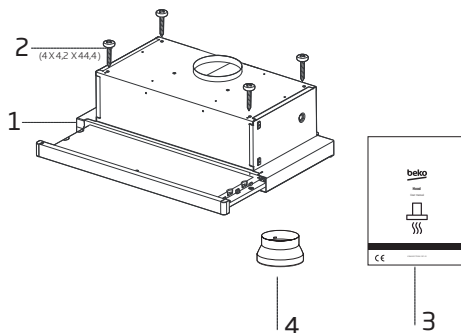
Zákazník je zodpovedný za prípravu umiestnenia a elektrickej inštalácie odsávača pár.

5.1 Pozícia spotrebiča



- Pred zmontovaním zväzte vzdialenosť medzi sporákom a odsávačom. Táto vzdialenosť musí byť aspoň 65 cm.
- U plynových sporákov sa musí merať vzdialenosť od povrchu mriežky, pre elektrické sporáky od povrchu skla

5.2 Inštalčné príslušenstvo



1. Digestor
2. 4 x 4,2 x 44,4 skrutky
3. Návod na použitie
4. 1 x Ø120/150 mm plastový adaptér pre vetrací kanál

5.3 Skladovanie

- Ak nechcete spotrebič dlhšiu dobu používať, dôkladne ho uskladnite.
- Skontrolujte, či je spotrebič odpojený, vychladnutý a úplne suchý.
- Spotrebič skladujte na suchom, chladnom mieste.
- Spotrebič skladujte mimo dosahu detí.

5.4 Zaobchádzanie a preprava

- Počas manipulácie a prepravy majte prístroj v pôvodnom obale. Balenie spotrebiča ho chráni pred fyzickým poškodením.
- Na zariadenie ani na obal nekladte ťažké bremená. Prístroj sa môže poškodiť.
- Pád prístroja môže spôsobiť jeho nefunkčnosť alebo trvalé poškodenie.

6 Odstraňovanie problémov

Odstraňovanie problémov	Príčina	Pomoc
Zariadenie nefunguje.	Skontrolujte svoje poistky.	Poistka môže byť vypálená, skontrolujte a obnovte ju.
Zariadenie nefunguje.	Skontrolujte elektrické pripojenie.	Sieťové napätie musí byť medzi 220 a 240 V.
Zariadenie nefunguje.	Skontrolujte elektrické pripojenie.	Skontrolujte, či vo vašej kuchyni funguje iný spotrebič.
Osvetľovacie svetlo nefunguje.	Skontrolujte elektrické pripojenie.	Sieťové napätie musí byť medzi 220 a 240 V.
Osvetľovacie svetlo nefunguje.	Skontrolujte spínač žiarovky.	Prepínač lampy musí byť v polohe "zapnuté".
Osvetľovacie svetlo nefunguje.	Skontrolujte žiarovky.	Svietidlá zariadenia sa musia rozsvietiť.
Prívod vzduchu do zariadenia nie je dostatočný.	Skontrolujte hliníkový filter.	Za normálnych prevádzkových podmienok sa musí hliníkový filter čistiť najmenej raz za mesiac.
Prívod vzduchu do zariadenia nie je dostatočný.	Skontrolujte vývod vzduchu z komína.	Komín pre odvod vzduchu musí byť v polohe „zapnutý“.
Prívod vzduchu do zariadenia nie je dostatočný.	Skontrolujte uhlíkový filter.	Filtre spotrebičov s uhlíkovými filtrami sa za normálnych podmienok vymieňajú raz za každé 3 mesiace.

Najprej preberite priročnik za uporabo!

Spoštovana stranka,

Zahvaljujemo se vam, da ste se odločili za nakup izdelka Beko. Upamo, da boste dosegli najboljše rezultate vašega aparata, ki je bil izdelan z visoko kakovostjo in najsodobnejšo tehnologijo. Zaradi tega pred uporabo naprave natančno preberite celoten uporabniški priročnik in vse druge priložene dokumente in jih shranite kot referenco za nadaljnjo uporabo. Če napravo predate komu drugemu, mu predajte še uporabniški priročnik. Upoštevajte navodila ter vse informacije in opozorila v uporabniškem priročniku.

Ne pozabite, da lahko ta uporabniški priročnik velja tudi za druge modele. Razlike med posameznimi modeli so natančno navedene v priročniku.

Pomen Simbolov

Naslednji simboli so uporabljeni v različnih razdelkih tega uporabniškega priročnika:



Pomembne informacije in koristni nasveti za uporabo.



OPOZORILO: Opozorila pred nevarnimi situacijami, ki zadevajo varnost življenja in premoženja.



OPOZORILO: Opozorilo za nevarnost požara



OPOZORILO: Opozorilo za električni udar.



Varnostni razred za zaščito pred električnim udarom.



1 Pomembna navodila za varnost in okolje

1.1 Splošna varnost

Pomembna varnostna navodila
Pozorno preberite in hranite za referenco v prihodnje. Ta razdelek vsebuje varnostna navodila, ki vam bodo pomagala zaščititi pred nevarnostjo požara, električnega udara, izpostavljenosti mikrovalovne energije, osebnih poškodb ali materialne škode. Neupoštevanje teh navodil lahko razveljavi kakršno koli garancijo.

- Beko izdelki ustrezajo veljavnim varnostnim standardom; v primeru kakršnih koli poškodb na napravi ali napajalnem kablu, jih mora popraviti ali zamenjati prodajalec, servisni center ali specialist in pooblaščen servis, da se izognete kakršni koli nevarnosti. Neustrezna ali nekvalificirana popravila so lahko nevarna in povzročijo tveganje za uporabnika.
- Ta aparat je namenjen za uporabo v gospodinjstvih in podobnih aplikacijah, kot so:
 - Kuhinjske površine osebja v trgovinah, pisarnah in drugih delovnih okoljih;
 - Kmečke hiše
 - Stranke v hotelih in drugih stanovanjskih okoljih;
 - Garni hoteli.
- Napravo uporabljajte samo za predvideni namen, kot je opisano v tem priročniku.
- Proizvajalec ne more biti odgovoren za škodo, nastalo zaradi nepravilne namestitve ali zlorabe izdelka.
- Otroci od 8. leta starosti ter osebe z zmanjšanimi telesnimi, zaznavnimi ali duševnimi sposobnostmi ali s pomanjkanjem izkušenj in znanja lahko napravo uporabljajo le, če so pod nadzorom ali pa so prejele ustrezna navodila glede varne uporabe naprave in razumejo nevarnosti, ki so povezane z njeno uporabo.
- Otroci se ne smejo igrati z napravo. Čiščenje in vzdrževanje uporabnikov ne smejo izvajati otroci brez nadzora.
- Najmanjša razdalja med podporno površino kuhalnih plošč na kuhalni plošči in najnižjim delom izdelka mora biti najmanj 65 cm.

1 Pomembna navodila za varnost in okolje

- Če navodila za vgradnjo plinske kuhalne plošče določajo večjo razdaljo, je to treba upoštevati.
 - Prepričajte se, da vaše napajalno omrežje ustreza podatkom, navedenim na tipski plošči naprave.
 - Naprave nikoli ne uporabljajte, če sta električni kabel ali naprava poškodovana.
 - Preprečite poškodbe napajalnega kabla, tako da ga ne stisnete, upognete ali drgnete po ostrih robovih. Električni kabel hranite stran od vročih površin in odprtega ognja.
 - Napravo uporabljajte samo z ozemljeno vtičnico.
- OPOZORILO:** Naprave ne priključujte na električno omrežje, dokler namestitvev ni popolnoma končana.
- Napravo namestite tako, da je vtič vedno dostopen.
 - Ne dotikajte se svetilk, če so že dolgo obratovala. Lahko vam opečejo roke, saj bodo vroče.
 - Upoštevajte predpise, ki jih določijo pristojni organi o odvajanju izpušnega zraka (to opozorilo ne velja za uporabo brez ventilacijske cevi).
 - Upravljajte z napravo, potem ko na kuhalno ploščo postavite lonec, ponev itd., V nasprotnem primeru lahko visoka toplota povzroči deformacijo v nekaterih delih izdelka.
 - Preden vzamete lonec, ponev itd., Izklopite kuhalno ploščo.
 - Na kuhalni plošči ne puščajte vročega olja. Ponev z vročim oljem lahko povzroči samo zgozrevanje.
 - Bodite pozorni na zavese in prevleke, saj se lahko olje med kuhanjem hrane, kot je krompirček, vname.
 - Mastni filter morate zamenjati vsaj mesečno. Ogljikov filter je treba zamenjati vsaj vsake 3 mesece.
 - Izdelek je treba očistiti v skladu z navodili za uporabo. Če čiščenje ni bilo izvedeno v skladu z navodili za uporabo, lahko pride do nevarnosti požara.
 - Namesto trenutnega filtra

1 Pomembna navodila za varnost in okolje

ne uporabljajte filtrov, ki niso odporni na ogenj.

- Uporabljajte samo originalne dele ali dele, ki jih priporoča proizvajalec.
- Izdelka ne uporabljajte brez filtra in ne odstranjujte filtrov med delovanjem izdelka.
- V primeru, da se začne plamen, izklopite napajanje izdelka in kuhalne naprave.
- Če se začne plamen, ga pokrijte in nikoli ne uporabljajte vode za gašenje.
- Napravo izklopite pred vsakim čiščenjem in ko je ne uporabljate.
- Negativni tlak v okolju ne sme presežati 4 Pa (4 x 10 barov), medtem ko napa za električno kuhalno ploščo in naprave deluje na drugi vrsti energije, vendar elektrika deluje hkrati.
- V okolju, kjer uporabljate aparat, mora biti izpuh naprav, ki delujejo na kurilno olje ali plin, na primer grelec za prostore, popolnoma izoliran ali naprava mora biti hermetičnega tipa.

- Pri priključitvi ventilacijske cevi uporabljajte cevi s premerom 120 ali 150 mm. Cevni priključek mora biti čim krajši in imeti čim manj kololcev.

Nevarnost zadržite!

Embalažni material hranite izven dosega otrok.

POZOR: Pri uporabi s kuharskimi napravami lahko dostopni deli postanejo vroči.

- Izhodna cev izdelka ne sme biti povezana z zračnimi kanali, ki vključujejo drug dim.
 - Prezračevanje v prostoru morda ni zadostno, če se napa za električno kuhalno ploščo uporablja hkrati z napravami, ki delujejo na plin ali druga goriva (to ne velja za naprave, ki v prostor odvajajo samo zrak).
 - Predmeti, postavljeni na izdelek, lahko padejo. Na izdelek ne postavljajte nobenih predmetov.
 - Ne vžigajte pod svojim izdelkom.
- OPOZORILO:** Pred namestitvijo Nape odstranite zaščitne folije.
- Nikoli ne puščajte visoko odprtega ognja pod napa, ko deluje

1 Pomembna navodila za varnost in okolje

- Friteze z globoko vsebnostjo maščobe je treba med uporabo nenehno nadzorovati: pregreto olje lahko vname plamen.

1.2 Skladnost z direktivo o OEE0 in odstranjevanje odpadkov:

Izdelek je v skladu z Direktivo EU OEE0 (2012/19/EU). Ta izdelek ima klasifikacijski simbol za odpadno električno in elektronsko opremo (OEE0).



Ta simbol pomeni, da tega izdelka ob koncu življenjske dobe ne smete odlagati skupaj z drugimi gospodinjskimi odpadki. Rabljeno napravo je treba vrniti v uradno zbirno mesto za recikliranje električnih in elektronskih naprav. Če želite najti te sisteme zbiranja, se obrnite na lokalne organe ali prodajalca, kjer je bil izdelek kupljen.

Vsako gospodinjstvo ima pomembno vlogo pri predelavi in recikliranju starega aparata. Ustrezno odlaganje uporabljene naprave pomaga pri varstvu pred morebitnimi negativnimi vplivi na okoljevarstvo in zdravje človeka.

1.3 Skladnost z direktivo RoHS

Izdelek, ki ste ga kupili, je skladen z direktivo EU RoHS (2011/65/EU). Ne vsebuje škodljivih in prepovedanih materialov, določenih v Direktivi.

1.4 Podatki o embalaži

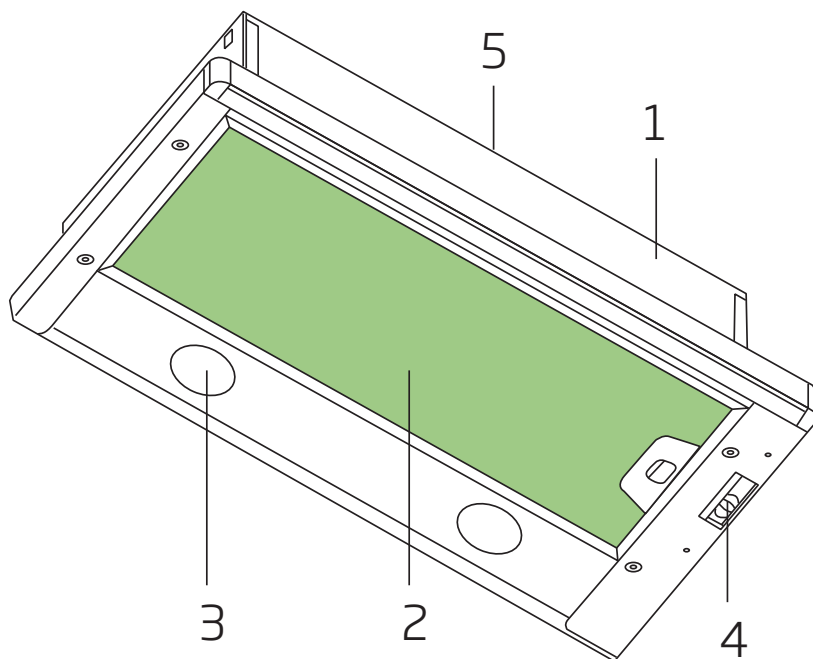


Embalažni materiali izdelka so izdelani iz materialov, ki jih je mogoče reciklirati, v skladu z našimi Nacionalnimi predpisi

o okolju. Embalažnega materiala ne odložite skupaj z gospodinjskimi ali drugimi odpadki. Odnosite ga na zbirna mesta za embalažni material, ki so jih določile lokalne oblasti.

2 Splošen videz

2.1 Pregled



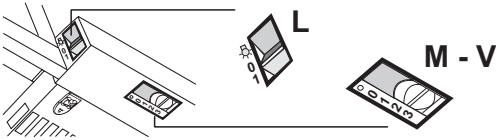
1. Glavno ohišje
2. Aluminijasti maščobni filter
3. Osvetlitev
4. Upravljalna plošča
5. Odvodni kanal

2.2 Tehnični podatki

Model	CTB 6250 X CTB 6250 B CTB 6250 W CTB 6250 XH	CTB 9250 X CTB 9250 XH
Napajalna napetost	220-240V ~ 50 Hz	
Moč žarnice	2x4 W	
Moč motorja	1 x 140 W	
Pretok zraka – 3. stopnja	420 m ³ /h	
Izolacijski razred	RAZRED II	

3 Uporaba aparata

3.1 Upravljalna plošča

	
L : Osvetlitev	Prižge in ugasne napravo za osvetlitev.
M : Motor	Prižge in ugasne motor za izsesavanje.
V : Hitrost	Določi hitrost delovanja: 1. Minimalna hitrost, ki je primerna za neprestano izmenjavanje zraka pri prisotnosti manjših količin kuhinjske pare; tiho delovanje. 2. Srednja hitrost, primerna za večino pogojev delovanja glede na optimalno razmerje med pretokom obdelanega zraka in ravno hrupa. 3. Maksimalna hitrost, ki je primerna za obvladovanje največjih emisij kuhinjske pare; primer-na tudi za daljše delovanje.

- Odsesovalna napa je zasnovana izključno za domačo uporabo za odstranjevanje kuhinjskih vonjav.
- Nape ne uporabljajte v namene, za katere ni zasnovana.
- Ko napa deluje, pod njo ne sme biti visokega odprtega plamena.
- Prilagodite moč plamena tako, da je usmerjen samo na spodnjo stran posode in da ne sega navzgor po bočnih straneh.
- Friteze je treba med delovanjem neprekinjeno nadzorovati: pregreto olje se lahko vname.

3.2 Energijsko učinkovita uporaba

- Med delovanjem aparata prilagodite nastavev hitrosti glede na količino pare in intenzivnost vonja, da zmanjšate porabo energije.
- V običajnih razmerah uporabljajte nizki hitrosti (1–2), pri veliki količini pare in močnem vonju pa uporabljajte visoko hitrost (3).
- Lučke na napi so namenjene osvetlitvi kupalnega mesta.
- Če jih uporabljate za osvetlitev prostora, lahko pride do nepotrebne porabe energije in nezadostne osvetlitve.
- Če želite, da naprava porabi manj energije, jo nastavite na nizko hitrost.
- Naprava bo porabila manj energije, saj bo delovala učinkoviteje, če ji zagotovite zadosten dovod zraka.
- Če veste, da bo nastala večja količina pare, predhodno nastavite napravo na veliko moč sesanja. Tako zmanjšate porabo energije s krajšo uporabo naprave, saj bo imela zadosten dovod zraka.
- Posoda naj bo pokrita s pokrovi, da zmanjšate nastajanje pare.

3.3 Delovanje nape

- Aparat je opremljen z motorjem, ki ima različne hitrosti.
- Za boljšo učinkovitost priporočamo, da v običajnih razmerah uporabljate nizke hitrosti, pri veliki količini pare in močnem vonju pa visoko hitrost.

3 Uporaba aparata

- Aparat lahko vklopite tako, da pritisnete gumb za nastavitve zelene hitrosti. (V1, V2, V3)
- Za osvetlitev kuhalnega mesta pritisnite lučko. (L)

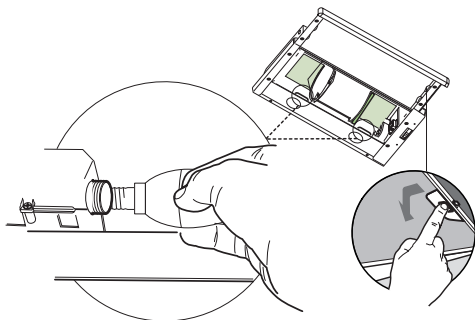
3.4 Zamenjava žarnice




- Pred zamenjavo žarnic odklopite napajanje nape.
- Ne dotikajte se žarnic, ko so vroče.
- Zamenjane žarnice se ne dotikajte neposredno z rokami.



Žarnice so na voljo pri pooblaščenih serviserjih.



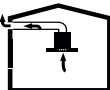
Žarnica	
Moč žarnice	4 W
Držalo/vtičnica	E14
Napetost žarnice	220 - 240 V
Koda ILCOS	D R B B / F - 4 - 2 2 0 - 240-E14-35/100
Velikost	35x100 mm
Svetlobni tok	400 lm

Korelirana barvna temperatura

3000 K

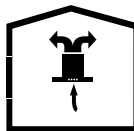
Ta izdelek vsebuje svetlobni vir razreda energijske učinkovitosti "F".

3.5 Delovanje s priklopom na dimni kanal



- Para se odvaja skozi dimni kanal, ki je pritrjen na priključno glavo nape.
- Premer dimnega kanala mora biti enak kot obroč priklopa. V vodoravni postavitvi mora imeti cev naklon nekoliko navzgor (okrog 10°), da zrak z lahkoto zapusti prostor.

3.6 Delovanje brez priklopa na dimni kanal



- Zrak se filtrira skozi ogljeni filter in ponovno kroži po prostoru. Ogljikov filter se uporabi, ko v hiši ni mogoče uporabiti dimnega kanala.
- Pri uporabi brez dimnega kanala odstranite lo-pute v adapterju dimnega kanala.
- Odstranite aluminijasti filter za maščobo. Da namestite ogljeni filter, ga namestite na oznake tako, da ga na vsaki strani ohišja nape postavite na plastičen del. Zategnite ga tako, da ga obrnete desno ali levo.
- Zamenjajte aluminijasti filter za maščobo

4 Čiščenje in vzdrževanje

Napravo je treba redno čistiti in vzdrževati. Če ne čistite naprave, bo to negativno vplivalo na njeno življenjsko dobo. Za čiščenje in vzdrževanje upoštevajte navodila, ki so navedena v priročniku.



Pred čiščenjem in vzdrževanjem odklopite aparat, izklopite glavno stikalo ali izklopite varovalko, ki napaja napo.



Če ne upoštevate navodil v zvezi s čiščenjem naprave in zamenjavo filtrov, lahko pride do nevarnosti požara. Zato priporočamo, da upoštevate smernice, ki so navedene tukaj. Proizvajalec ne odgovarja za poškodbe motorja ali požare, ki nastanejo zaradi nepravilne uporabe.

Za čiščenje uporabljajte samo krpo, navlaženo z nevtralnimi tekočimi detergenti. Za čiščenje ne uporabljajte orodja ali pripomočkov. Ne uporabljajte abrazivnih sredstev. Ne uporabljajte alkohola.

4.1 Čiščenje aluminijastega maščobnega filtra

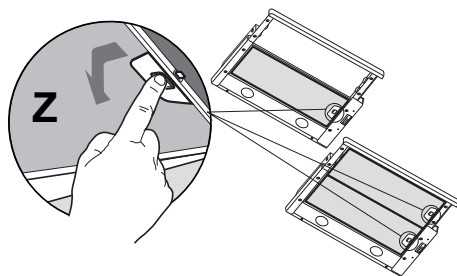
Ta filter prestreza maščobne delce v zraku. Priporočamo, da pri običajni uporabi očistite filter enkrat na mesec. Pri tem postopku najprej odstranite maščobne filtre. Operite filtre s tekočim detergentom in jih izperite z vodo. Ko se posušijo, jih namestite nazaj. Aluminijasti maščobni filtri se lahko pri pranju razbarvajo. To je običajen pojav in takšnega filtra ni treba zamenjati.



Aluminijasti filter lahko perete v pomivalnem stroju.



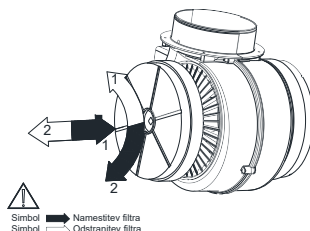
POZOR: V primeru običajne uporabe filter očistite enkrat na mesec.



4.2 Zamenjava ogljenega filtra (način kroženja zraka)

Napo je mogoče opremiti s filtrom z aktivnim ogljem. Ogljeni filter se namesti samo, če napa ni priključena na odvodni kanal.

Pri zamenjavi ogljenega filtra bodite pozorni na vrsto uporabljenih turbine.



OPOZORILO:



- Ogljenega filtra nikoli ne perite.
- V vsakem primeru je treba ogljeni filter zamenjati vsaj vsake tri mesece.
- Ogljeni filter je na voljo pri pooblaščenih serviserjih.

5 Namestitev aparata



OPOZORILO : Pred namestitvijo preberite varnostna navodila.

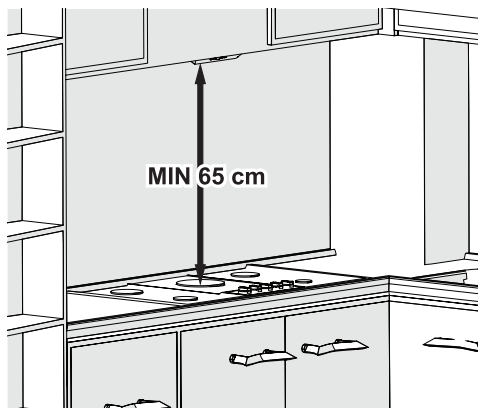


OPOZORILO : Če ne namestite vijakov ali pritrдите aparata v skladu s temi navodili, lahko pride do električnih nevarnosti.



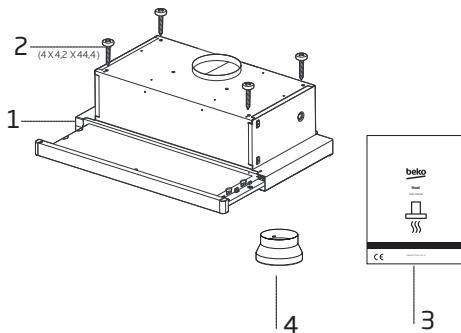
Navodila za namestitev so navedena na strani 266.

5.1 Položaj naprave



- Razdalja med kuhhalno ploščo in pokrovom mora biti upoštevana pred sestavljanjem. Meriti mora 65 cm.
- Razdaljo je treba izmeriti od površine rešetke plinskih gorilnikov, površine steklene električne kuhhalne plošče.

5.2 Dodatki za namestitev



1. Napa
2. Vijaki 4 x 4,2 x 44,4
3. Uporabniški priročnik
4. Plastični vmesnik za cev za dimni plin 1 x Ø120/150 mm

5.3 Shranjevanje

- Če naprave ne želite uporabljati dlje časa, jo skrbno shranite.
- Prepričajte se, da je naprava izključena iz omrežja, ohlajena in popolnoma suha.
- Napravo hranite na hladnem in suhem mestu.
- Napravo shranjujte izven dosega otrok.

5.4 Rokovanje in transport

- Med rokovanjem in prevozom prenašajte napravo v originalni embalaži. Embalaža napravo varuje pred fizičnimi poškodbami.
- Na napravo ali embalažo ne polagajte težkih bremen. Naprava se lahko poškoduje.
- Če vam naprava pade na tla, ne bo več delovala in je lahko trajno poškodovana.

6 Odpravljanje težav

Odpravljanje težav	Vzrok	Pomoč
Izdelek ne deluje.	Preverite varovalko.	Varovalka je morda pregorela, zamenjajte jo.
Izdelek ne deluje.	Preverite električno povezavo.	Omrežna napetost mora znašati od 220 do 240 V.
Izdelek ne deluje.	Preverite električno povezavo.	Preverite, ali delujejo drugi aparati v kuhinji.
Osvetlitev ne deluje.	Preverite električno povezavo.	Omrežna napetost mora znašati od 220 do 240 V.
Osvetlitev ne deluje.	Preverite stikalo lučke.	Stikalo lučke mora biti v položaju "vklop".
Osvetlitev ne deluje.	Preverite lučke.	Lučke aparata ne smejo biti okvarjene.
Aparat ne vsesava dovolj zraka.	Preverite aluminijasti filter.	V običajnih razmerah je treba aluminijasti maščobni filter očistiti vsaj enkrat na mesec.
Aparat ne vsesava dovolj zraka.	Preverite prezračevalni kanal.	Prezračevalni kanal mora biti v položaju "vklop".
Aparat ne vsesava dovolj zraka.	Preverite ogljeni filter.	Običajno je treba ogljeni filter v aparatih, ki so opremljeni z njim, zamenjati vsake 3 mesece.

Läs den här bruksanvisningen först!

Kära kund,

Tack för att du valt denna Beko-produkt. Vi hoppas att du får det bästa resultatet från din apparat som har tillverkats med hög kvalitet och den senaste tekniken i världsklass. Läs därför hela bruksanvisningen och alla andra medföljande dokument noga innan du använder apparaten och förvara dem som referens för framtida bruk. Om du överlämnar apparaten till någon annan, ge även instruktionsboken. Följ instruktionerna genom att uppmärksamma all information och varningar i bruksanvisningen.

Kom ihåg att denna bruksanvisning även kan gälla för flera andra modeller. Skillnader mellan modellerna är tydligt angivna i bruksanvisningen.

Symbolernas betydelse

Följande symboler används i de olika delarna av bruksanvisningen:



Viktig information och användbara tips om användning.



WARNING: Varningar för farliga situationer som rör säkerheten för liv och egendom.



WARNING: Varning för brandfara.



WARNING: Varning för elektrisk stöt.



Skyddsklass för elektriska stötar.



1 Viktig säkerhets- och miljöinformation

1.1 Allmän säkerhet

Viktiga säkerhetsinstruktioner Läs noggrant och spara för framtida bruk. Det här avsnittet innehåller säkerhetsinstruktioner som hjälper dig att undvika brand, elektriska stötar, exponering för läckande mikrovågsenergi, skador på person eller egendom. Om du inte följer dessa instruktioner gäller inte garantin.

- Beko-produkter efterlever tillämpliga säkerhetsstandarder och därför ska apparaten eller strömkabeln om den skadas, bytas eller lagas av en återförsäljare, ett servicecenter, en expert eller auktoriserad service, för att undvika skada. Felaktigt eller obehörigt reparationsarbete kan orsaka fara och risker för användaren.
- Denna apparat är avsedd att användas i hushåll och liknande miljöer som:
 - Personalutrymmen i butiker, kontor och andra arbetsmiljöer;
 - Bondgårdar;
 - Av kunder på hotell och andra bostadslika miljöer;
 - Miljöer som bed&breakfast.
- Använd denna apparat endast för dess avsedda syfte, enligt beskrivningen i den här bruksanvisningen.
- Tillverkaren kan inte hållas ansvarig för eventuella skador till följd av olämplig installation eller felaktig användning av produkten.
- Denna apparat får användas av barn från 8 år och uppåt, och av personer med nedsatt fysisk eller psykisk förmåga eller brist på erfarenhet och kunskap, om de under översyn har fått lära sig att använda apparaten på ett säkert sätt och är införstådda med riskerna.
- Barn får inte tillåtas leka med enheten. Rengöring och skötsel får inte utföras av barn utan övervakning.
- Minsta avståndet mellan bärytan för kokkärnen på spisen och den lägsta delen av din produkt måste vara minst 65 cm.

1 Viktig säkerhets- och miljöinformation

- Om installationsanvisningarna för gashäll anger ett större avstånd måste detta beaktas.
 - Kontrollera att nätspänningen överensstämmer med uppgifterna på apparatens märkplåt.
 - Använd aldrig apparaten om strömkabeln eller apparaten är skadad.
 - Förhindra skada på strömsladden, genom att inte klämma, böja eller skava den mot vassa kanter. Håll strömsladden borta från heta ytor och öppen eld.
 - Använd bara apparaten i ett jordat uttag.
- VARNING:** Anslut inte apparaten till elnätet innan installationen är fullbordad.
- Placera apparaten på så sätt att kontakten alltid är tillgänglig.
 - Vidrör inte vid lamporna om de har använts under lång tid. De kan bränna dina händer eftersom de kommer att vara heta.
 - Följ de föreskrifter som de behöriga myndigheterna har angett om utsläppsluft (denna varning är inte tillämplig för användning utan rökkanal).
 - Hantera apparaten när du har satt på en gryta, panna etc. på hällen. Annars kan hög värme orsaka deformation i vissa delar av din produkt.
 - Stäng av hällen innan du tar grytan, pannan etc. från den.
 - Lämna inte varm olja på hällen. Kockärl med varm olja kan orsaka självantändning.
 - Var uppmärksam på dina gardiner och överdrag eftersom olja kan fatta eld när du lagar mat som pommes frites.
 - Fettfilter måste bytas ut minst varje månad. Kolfilter måste bytas ut minst var tredje månad.
 - Produkten ska rengöras enligt bruksanvisningen. Om rengöring inte utförts i enlighet med bruksanvisningen kan det föreligga brandrisk.
 - Använd inte icke-brandbeständiga filtermaterial istället för det aktuella filtret.
 - Använd endast originaltillbehör eller de som rekommenderas av tillverkaren.

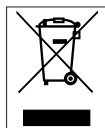
1 Viktig säkerhets- och miljöinformation

- Använd inte produkten utan filtret och ta inte bort filtren medan produkten körs.
 - I händelse av att lågor uppstår, slå av energiförsörjningen till din produkt och köksredskap.
 - I händelse av att lågor uppstår, täck lågan och använd aldrig vatten för att släcka.
 - Koppla ur apparaten innan varje rengöring och när apparaten inte används.
 - Undertrycket i miljön bör inte överstiga 4 Pa (4 x 10 bar) medan fläkten för elektrisk håll och apparater som körs på en annan typ av energi än el fungerar samtidigt.
 - I den miljö där apparaten används måste utsläppen från enheter som körs på eldningsolja eller gas, t. ex. rumsvärmare, vara helt isolerade eller så måste enheten vara hermetiskt tillsluten.
 - Vid anslutning av rökkanalen, använd rör med en diameter på 120 eller 150 mm. Röranslutningen ska vara så kort som möjligt och ha så få krökar som möjligt.
 - Risk för kvävning! Förvara allt förpackningsmaterial utom räckhåll för barn.
- FÖRSIKTIGHET:** Tillgängliga delar kan bli heta när de används med köksredskap.
- Produktuttaget får inte anslutas till luftkanaler som inkluderar annan rök.
 - Ventilationen i rummet kan vara otillräcklig när fläkten för den elektriska hållen används samtidigt med de enheter som arbetar med gas eller annat bränsle (detta är inte tillämpligt för apparater som endast släpper ut luften tillbaka i rummet).
 - Objekt placerade på produkten kan falla. Placera inga objekt på produkten.
 - Flambera ej under produkten.
- WARNING:** Innan fläkten installeras, ta bort all skyddsfilm.
- Lämna aldrig öppna lågor under fläkten när den används.
 - Fritöspannor måste övervakas under användning: överhettad olja kan antända.

1 Viktig säkerhets- och miljöinformation

1.2 Efterlevnad av WEEE-direktivet och kassering av den förbrukade produkten:

Den här produkten uppfyller kraven enligt EU:s WEEE-direktiv (2012/19/EU). Den här produkten har en klassificeringssymbol för elektriskt och elektroniskt avfall (WEEE).



Denna symbol indikerar att den här produkten inte ska kasseras med annat hushållsavfall vid slutet av dess livslängd. Använd enhet måste lämnas

till en officiell insamlingsplats för återvinning av elektriska och elektroniska enheter. För att lokalisera dessa insamlingssystem, kontakta lokala myndigheter eller den återförsäljare där produkten införskaffades. Varje hushåll spelar en viktig roll vid återställning och återvinning av gamla apparater. Lämpligt bortskaffande av använda apparater hjälper till att förhindra eventuella negativa konsekvenser för miljön och människors hälsa.

1.3 Efterlevnad av RoHS-direktivet

Produkten du har köpt uppfyller kraven för EU:s RoHS-direktiv (2011/65/EU). Den innehåller inte skadliga och förbjudna material som specificerats i direktivet.

1.4 Förpackningsinformation

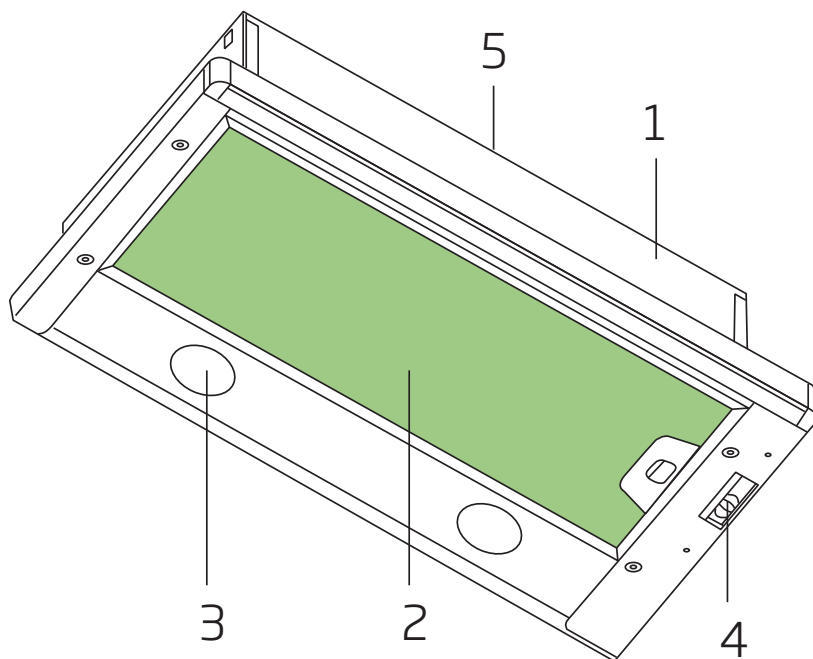


Produktens förpackningsmaterial är tillverkade av återvinningsbara material i enlighet med vår nationella miljölagstiftning. Kasta inte förpackningsmaterial i

hushållsavfall eller annat liknande avfall. Ta dem till ett insamlingsställe för förpackningsmaterial som anvisas av lokala myndigheter.

2 AllmäntUtseende

2.1 Översikt



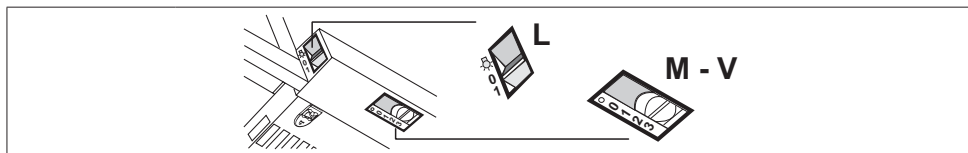
1. Huvuddel
2. Fettfilter av aluminium
3. Belysning
4. Kontrollpanel
5. Skorsten

2.2 Tekniska data

Modell	CTB 6250 X CTB 6250 B CTB 6250 W CTB 6250 XH	CTB 9250 X CTB 9250 XH
Matningsspänning	220-240V ~ 50 Hz	
Lamp Effekt	2x4 W	
Motor Effekt	1 x 140 W	
Luftflöde - 3. Nivå	420 m ³ /h	
Isoleringsklass	KLASS II	

3 Använda Apparaten

3.1 Kontrollpanel



L : Belysning	Tänder och släcker belysningen.
M : Motor	Kopplar på och stänger av fläktmotorn.
V : Hastighet	Bestämmer driftshastigheten: 1. Minimum hastighet, speciellt tystgående, lämplig för ett kontinuerligt luftbyte, vid mindre mängder matos. 2. Medelhastighet, lämplig för de flesta användningsvillkoren, beroende på det utmärkta förhållandet emellan den behandlade luftkapaciteten och ljudnivån. 3. Maximal hastighet, lämplig för stora mängder matos, även för längre tidsperioder.

- Avluftshuven är designad uteslutande för hushållsbruk för att eliminera köklukt.
- Använd aldrig huven för andra ändamål än för vilka den har utformats.
- Lämna aldrig höga nakna lågor under huven när den är i drift.
- Justera flam intensiteten så att den bara riktas mot botten av pannan, och se till att den inte täcker sidorna.
- Frityrkokare med djupfett måste övervakas kontinuerligt under användning: överhettad olja kan fatta eld.

3.2 Energieffektiv användning

- Justera hastigheten under användning av apparaten enligt ång- och luktmängden för att spara energi.
- Använd låga hastigheter (1-2) under normala förhållanden och hög hastighet (3) för hög ång- och luktnivå.
- Lyset i kåpan är ämnad för belysning av matlagningsområdet.
- Användning av dem till belysning av rummet förbrukar energi i onödan och är otillräcklig.
- Använd enheten på lägre hastighetsnivå, så att den förbrukar mindre energi.
- Enheten minskar energiförbrukningen och fungerar effektivare, när tillräcklig luftintag säkerställs.
- Ställ in enheten på intensiv sugeffektsläge innan ånga bildas, i lägen då du vet tät ånga kan produceras. På detta sätt kan du reducera energiförbrukningen under en kort tid, då den har tillräcklig luftintag.
- Håll kokkärlets lock stängd för att minska ångmängden.

3.3 Användning av spiskåpan

- Apparaten innehåller en motor med olika hastigheter.
- Vi rekommenderar att man använder låga hastigheter i normala förhållanden och hög hastighet, när lukten och ångnivån ökar.
- Starta apparaten genom att trycka på önskad hastighetsinställningsknapp. (V1, V2, V3).
- Matlagningsområdet kan belysas genom att trycka på lampan (L).

3 Använda Apparaten

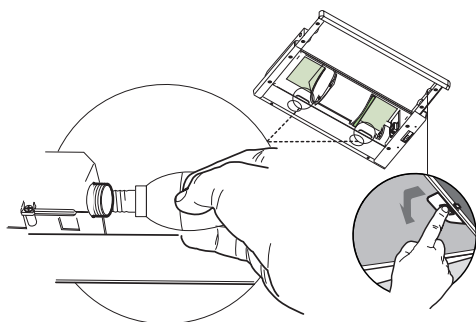
3.4 Byte av lampa



- Innan du byter glödlamporna ska du koppla bort strömtillförseln till huven.
- Rör inte vid glödlamporna när de är heta.
- Var försiktig så att du inte rör den ersatta lampan direkt med händerna.



Du kan skaffa lampor från auktoriserade serviceagenter.



Lampa	
Lampans effekt	4 W
Fäste/kontakt	E14
Lampans spänning	220 - 240 V
ILCOS-kod	D R B B / F - 4 - 2 2 0 - 240-E14-35/100
Mått	35x100 mm
Ljusflöde	400 lm
Korrigerad färgtemperatur	3000 K

Denna produkt innehåller ljuskälla med energieffektivitetsklass "F".

3.5 Användning med skorstensanslutning

-  Ångan förs bort via rökröret, som är fäst i anslutningshuvudet på kåpan.
- Rökkanalens diameter måste vara samma som anslutningsringens. I vågräta inställningar, ska röret vara riktad lätt uppåt (ca. 10°), så att luften kan lämna rummet lätt.

3.6 Användning utan skorstensanslutning

-  Luften filtreras genom kolfilter och returneras in i rummet. Kolfilter används, när det inte finns rökkanal i byggnaden.
- I användning utan rökkanal, ska klaffarna inuti rökkanalens adapter tas bort.
- Ta bort aluminiumfettfiltret. För att installera kolfiltret, centrera den på fläktstommens plastdelens båda sidor och fäst den med flikarna. Spänn den genom att vrida till höger eller vänster.
- Byte av aluminiumfettfilter

4 Rengöring och underhåll

Enheten ska rengöras och underhållas regelbundet. Om enheten inte hålls ren, påverkar det enhetens drifttid negativt. Följ rengörings- och underhållsinstruktionerna i bruksanvisningen.



Innan du rengör och utför underhåll, koppla ur apparaten eller stäng av huvudströmbrytaren eller lossa densäkringens som strömförsörjer huven.



Om instruktionerna angående rengöring av enheten och byte av filter inte åtföljs, kan det resultera i brandfara. Därför rekommenderar vi att instruktionerna här åtföljs. Tillverkaren är inte ansvarig för motorskador eller brand, som orsakas av felaktig användning.

Rengör endast med en trasa fuktad med neutralt flytande tvättmedel. Rengör inte med verktyg eller instrument. Använd inte slipande produkter. Använd inte alkohol.

4.1 Rengöring av fettfilter gjort av aluminium

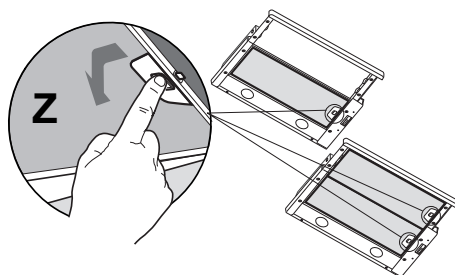
Detta filter fångar upp oljepartiklarna i luften. Du rekommenderas att rengöra ditt filter varje månad under normala användningsförhållanden. Ta först bort kolfiltret för denna process. Tvätta filtren med flytande tvättmedel och skölj dem med vatten och sätt tillbaka dem efter att de har torkat. Fettfilter av aluminium kan missfärgas när de tvättas; detta är normalt och du behöver inte byta filter.



Du kan tvätta aluminiumfiltret i diskmaskinen



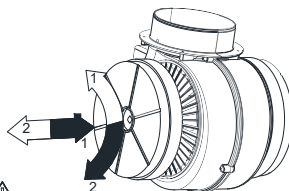
FARA: Under normal användning ska aluminiumfettfiltret tvättas en gång i månaden.



4.2 Byte av kolfilter (luftcirkulationsläge)

Huven kan utrustas med ett aktivt kolfilter. Kolfiltret appliceras endast om huven inte är ansluten till ventilationsledningen.

När du byter ut kolfiltret, var uppmärksam på typen av använd turbin.



Symbol Filter installation
Symbol Filter demontering

FARA

- Kolfiltret har aldrig blivit tvättat
- I vilket fall som helst är det nödvändigt att byta ut kolfiltret minst var tredje månad.
- Kolfilter är tillgängligt från auktoriserade tjänster.

5 Ställa in enheten



WARNING: Läs säkerhetsinstruktionerna innan du installerar den.

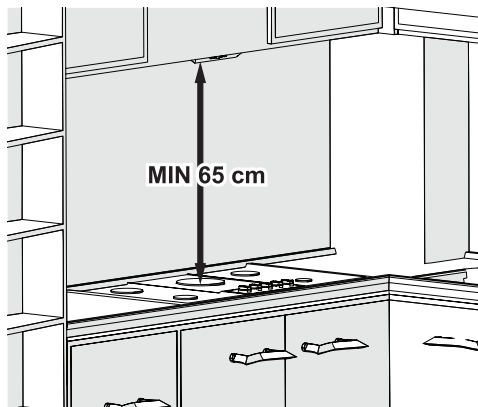


WARNING: Underlåtenhet att installera skruvarna eller fixeringsenheten i enlighet med dessa instruktioner kan leda till elektriska faror.



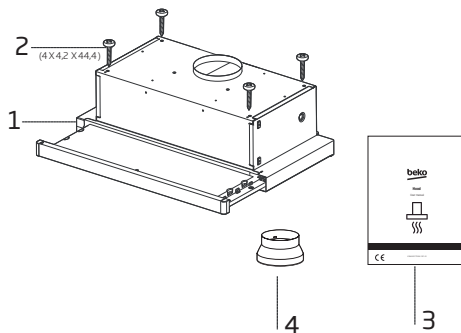
Se sida 266 för installationsguiden

5.1 Apparatsens position



- Avståndet mellan hällen och spiskåpan ska observeras innan installation. Denna avstånd ska vara 65 cm.
- Avståndet ska mätas från gallrets yta på gashällar, från glasytan på elhällar.

5.2 Installationstillbehör



1. Huva
2. 4 X 4,2 X 44,4 skruvar
3. Användarmanual
4. 1 x Ø120/150 mm rökkanalens plastadapter

5.3 Förvaring

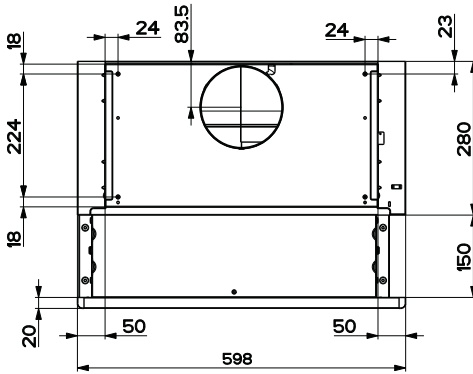
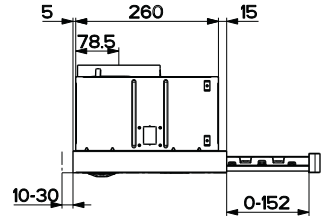
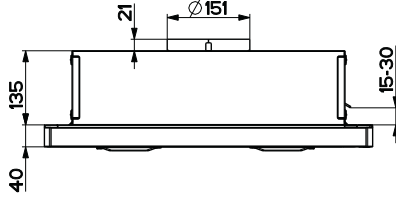
- Om apparaten inte används under en längre tid ska den förvaras korrekt och skyddat.
- Se till att apparaten är bortkopplad, nedkyld och helt torr.
- Förvara apparaten på en sval och torr plats.
- Förvara enheten utom räckhåll för barn

5.4 Hantering och transport

- Bär apparaten i originalförpackningen vid hantering eller transport. Apparatsens förpackning skyddar mot fysiska skador.
- Placera inga tunga laster på apparaten eller förpackningen. Apparaten kan skadas.
- Om man råkar tappa apparaten blir den icke-operativ och man orsakar permanenta skador.

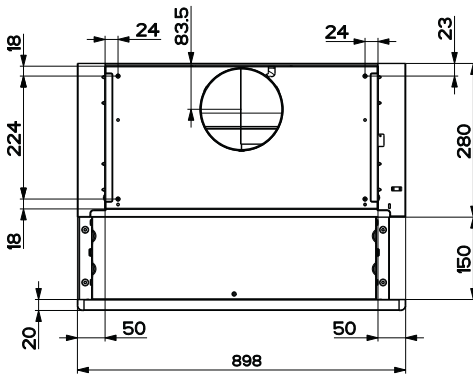
6 Felsökning

Felsökning	Orsak	Hjälp
Produkten fungerar inte.	Kontrollera säkringen.	Säkringen kan vara utlöst, returnera den.
Produkten fungerar inte.	Kontrollera elanslutningen.	Nätspänningen ska vara mellan 220-240 V.
Produkten fungerar inte.	Kontrollera elanslutningen.	Kontrollera om andra produkter i köket fungerar.
Lampan fungerar inte.	Kontrollera elanslutningen.	Nätspänningen ska vara mellan 220-240 V.
Lampan fungerar inte.	Kontrollera lampans brytare.	Lampans brytare ska vara i "on" position.
Lampan fungerar inte.	Kontrollera lamporna.	Produktens lampor ska inte vara felaktiga.
Produktens luftintag är lågt.	Kontrollera aluminiumfiltret.	Aluminiumoljefiltret ska rengöras minst en gång i månaden under normala förhållanden.
Produktens luftintag är lågt.	Kontrollera ventilationskanalen.	Ventilationskanalen ska vara i "on" position.
Produktens luftintag är lågt.	Kontrollera kolfiltret.	Produkter med kolfilter, ska filtren bytas ut normalt vart 3. månad.



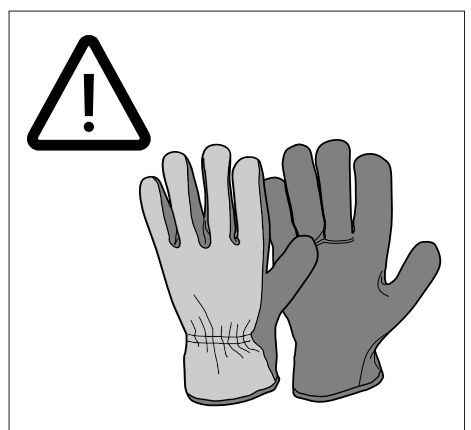
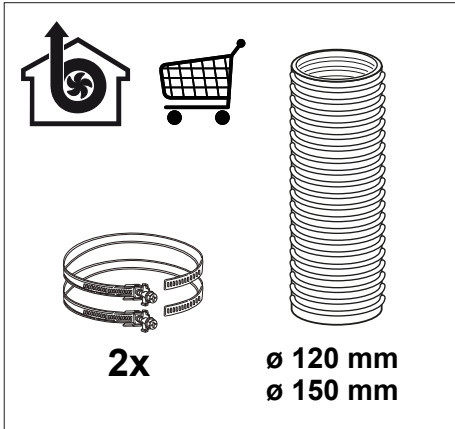
598 mm

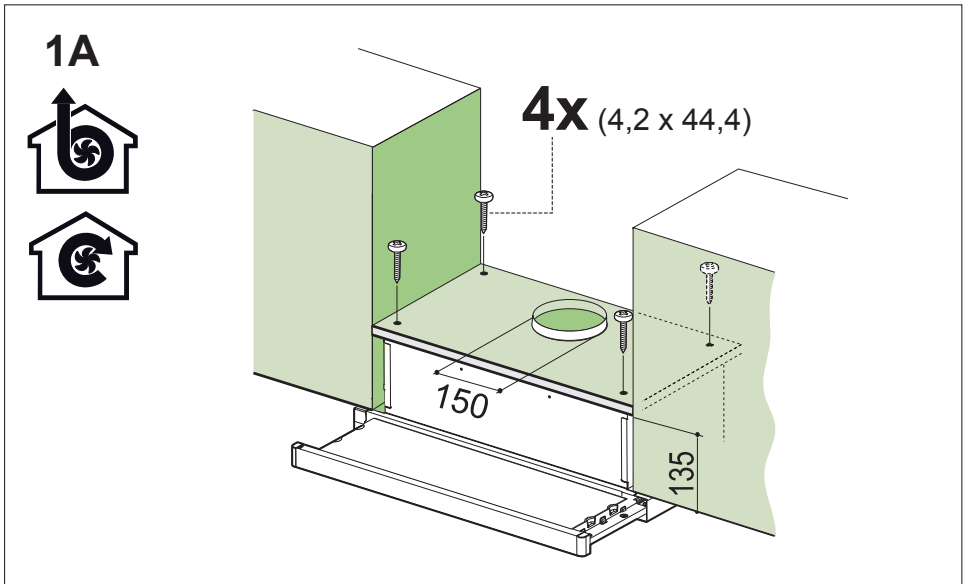
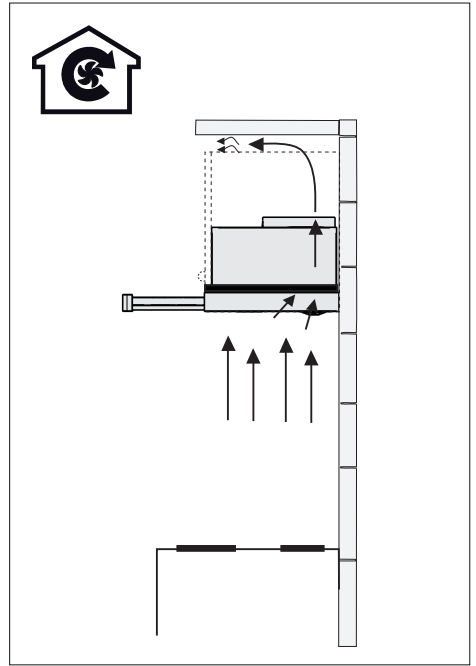
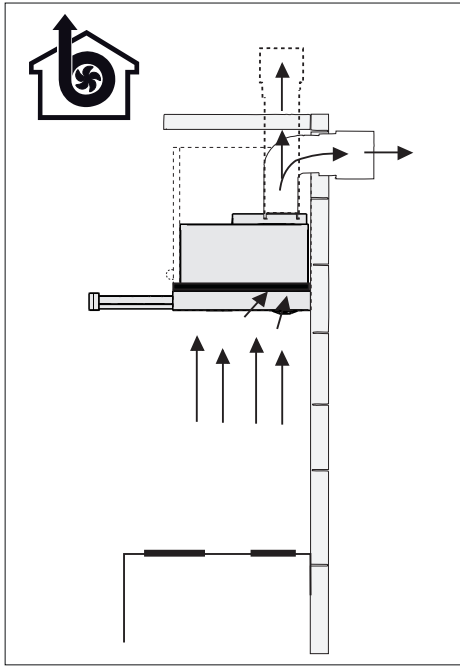
CTB 6250 W
CTB 6250 B
CTB 6250 X
CTB 6250 XH



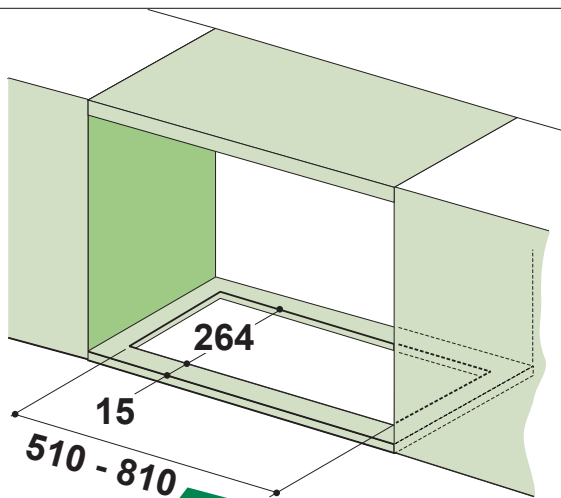
898 mm

CTB 9250 X
CTB 9250 XH

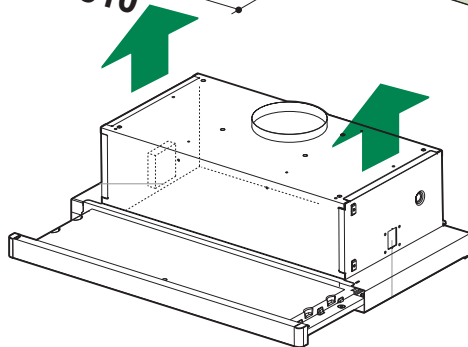




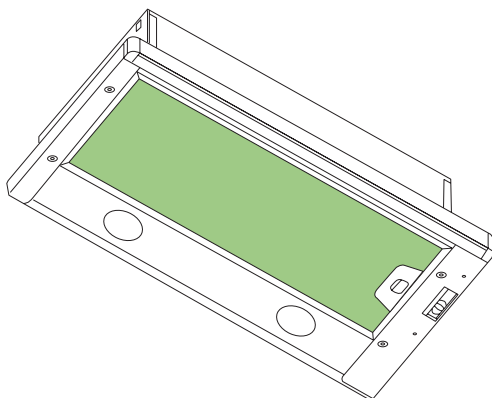
1B



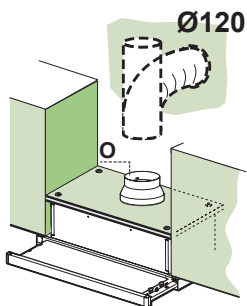
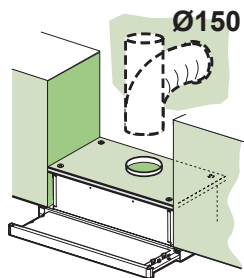
2x



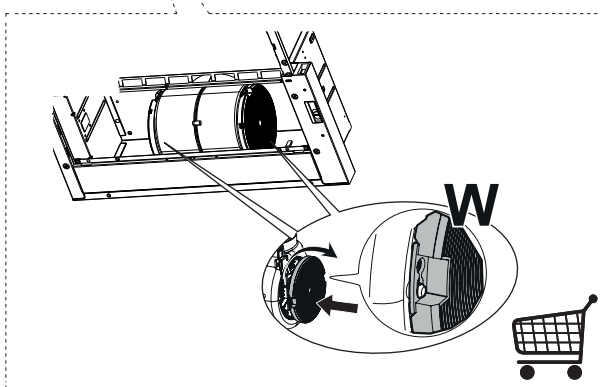
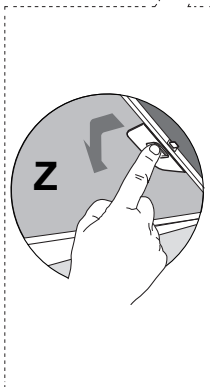
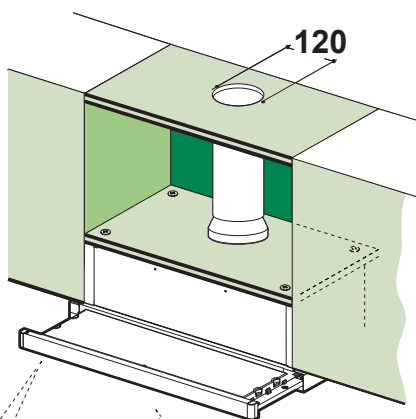
2



3



4



Arçelik A.Ş.
Karaağaç Caddesi No: 2-6, 34445,
Sütlüce, İstanbul, Türkiye

www.beko.com