

beko

Upright Freezer

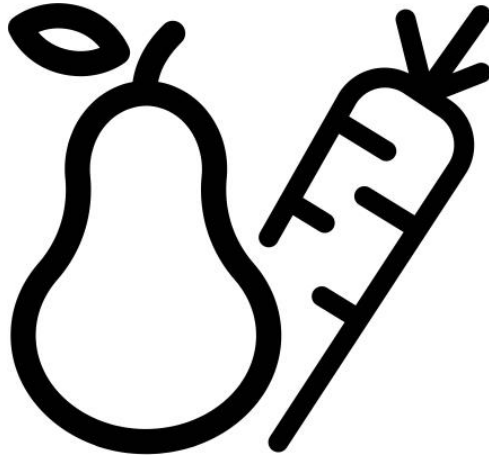
Instruction of use

Congélateur Vertical

Notice d'utilisation

الفريزر المنتصب

تعليمات الاستخدام



RFSA300S

EN-FR-AR



WARNING!

In order to ensure a normal operation of your refrigerating appliance, which uses a completely environmentally friendly refrigerant the R600a (flammable only under certain conditions) you must observe the following rules:

- Do not hinder the free circulation of the air around the appliance.
- Do not use mechanical devices in order to accelerate the defrosting, others than the ones recommended by the manufacturer.
- Do not destroy the refrigerating circuit.
- Do not use electric appliances inside the food keeping compartment, other than those that might have been recommended by the manufacturer.

AVERTISSEMENT !

Afin de s'assurer du fonctionnement normal de votre réfrigérateur, contenant le réfrigérant R600a qui contribue à la protection de l'environnement (inflammable dans certaines conditions seulement), il convient de respecter les règles suivantes :

- Ne pas empêcher la circulation d'air autour de l'appareil.
- Ne pas utiliser d'outils mécaniques ou autres dispositifs pour accélérer le processus de décongélation autres que ceux qui sont recommandés par le fabricant.
- Ne pas abîmer le circuit réfrigérant.
- Ne pas utiliser d'appareils électriques à l'intérieur des compartiments de conservation de denrées, à moins qu'ils soient conformes au type d'appareils recommandés par le fabricant.

تحذير !

لضمان التشغيل الطبيعي لجهاز التبريد لديك، والذي يستخدم سائل تبريد صديق للبيئة تمامًا (R600a قابل للاشتعال في ظروف معينة فقط)، يتعين عليك مراعاة القواعد التالية:

- ♦ لا تضع شيئًا معوقًا لحرية تدوير الهواء حول الجهاز.
- ♦ لا تستخدم أدوات ميكانيكية لتسريع عملية إزالة الثلج، بخلاف الأدوات التي توصي بها الجهة المصنعة.
- ♦ لا تعتمد إلى إتلاف دائرة التبريد.
- ♦ لا تستخدم أدوات كهربائية داخل صندوق حفظ الطعام بالجهاز، بخلاف تلك الموصى بها من قبل الجهة المصنعة.

EN Index

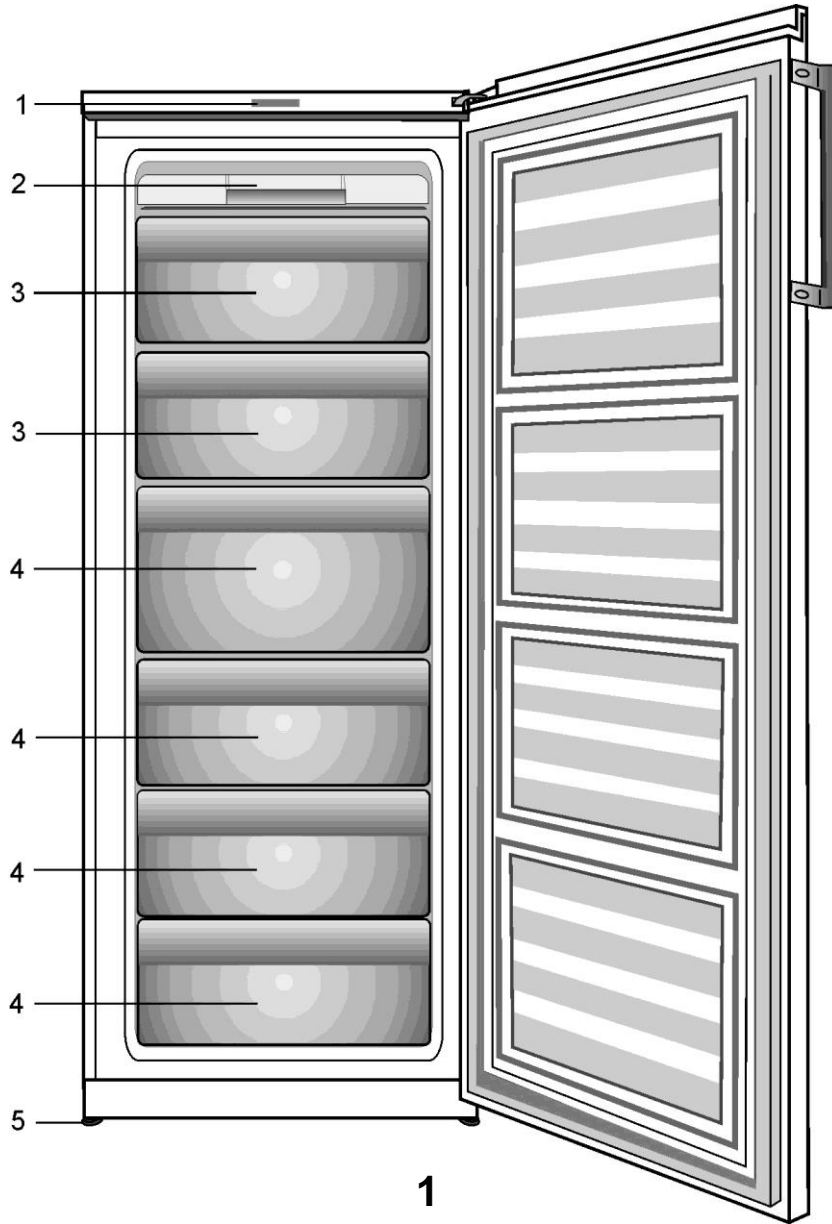
Safety first /1
Electrical requirements /2
Transportation instructions /2
Installation instructions /2
Temperature control and adjustment /3
Before operating /3
Freezer control panel /3
Fast freeze function /4
Storing frozen food /4
Freezing fresh food /4
Making ice cubes /4
Getting to know your appliance /4
Defrosting /4
Cleaning and care /5
Repositioning the door /5
Do's and don'ts /5
Troubleshooting /6
Information about operating noises /6

FR Sommaire

La sécurité d'abord /7
Conditions électriques /8
Instructions de transport /8
Instructions d'installation /8
Commande de température et réglage /9
Avant l'utilisation /9
Bandeau de commande du congélateur /10
Fonction de congélation rapide /10
Conservation des denrées surgelées /10
Congélation des produits frais /11
Fabrication de glaçons /11
Apprendre à connaître votre appareil /11
Dégivrage /11
Nettoyage et entretien /11
Repositionnement de la porte /12
À faire / À éviter /12
Diagnostic /13
Informations relatives aux bruits de fonctionnement /13

العربية الفهرس

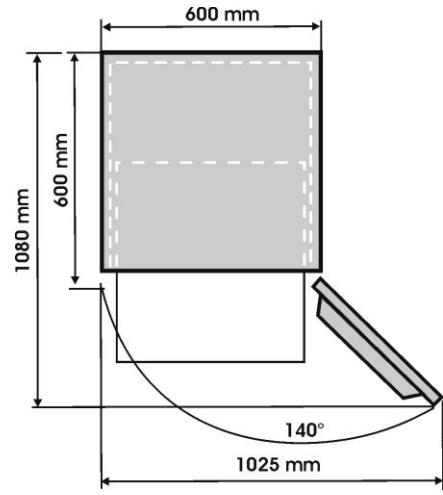
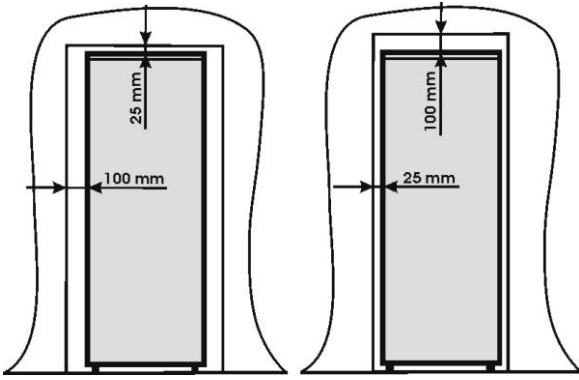
السلامة أولاً /14
المتطلبات الكهربائية /15
إرشادات النقل /15
إرشادات التركيب /15
ضبط والتحكم في درجة الحرارة /16
قبل التشغيل /16
لوحة التحكم في الفريزر /16
وظيفة التجميد السريع /17
تخزين الأطعمة المجمدة /17
تجميد الأطعمة الطازجة /17
إعداد مكعبات الثلج /17
التعرف على الجهاز الخاص بك /17
إذابة التجمد /17
التنظيف والعناية /18
إعادة ضبط موضع الباب /18
ما يجب عمله وما لا يجب عمله /18
استكشاف الأعطال وإصلاحها /19
معلومات حول ضوضاء التشغيل /19



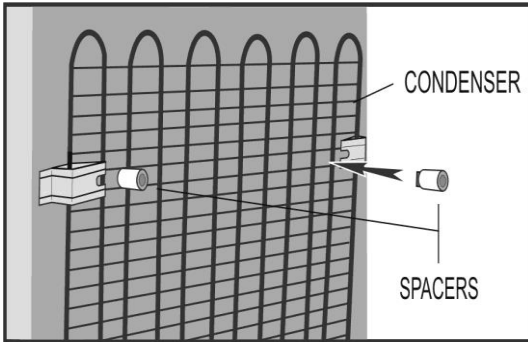
i Figures that take place in this instruction manual are schematic and may not correspond exactly with your product. If the subject parts are not included in the product you have purchased, then it is valid for other models.

i Les illustrations présentées dans cette notice d'utilisation sont schématiques et peuvent ne pas correspondre exactement à votre produit. Si des pièces présentées ne sont pas comprises dans le produit que vous avez acheté, elles sont valables pour d'autres modèles.

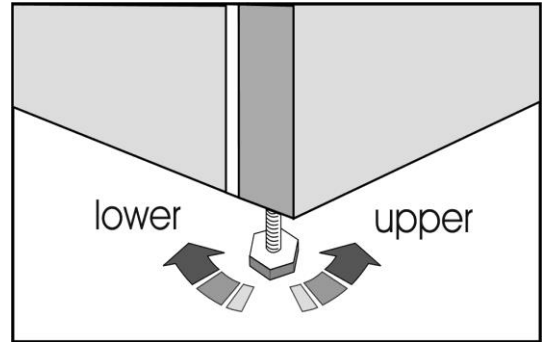
i القطع هذه تكن لم إذا. الجهاز مع تمامًا تتطابق لا وقد بيانية رسومات هي هذا التعليمات دليل في الواردة لأشكال أخرى لأنواع مناسبة فإنها، اشتريته الذي الجهاز هذا في واردة.



2



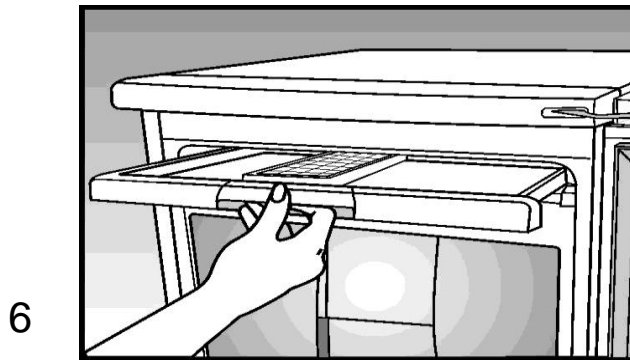
3



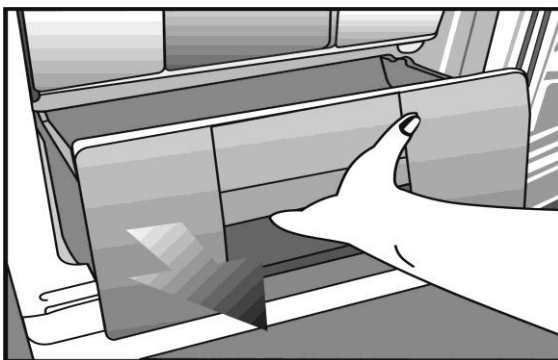
4



5



6

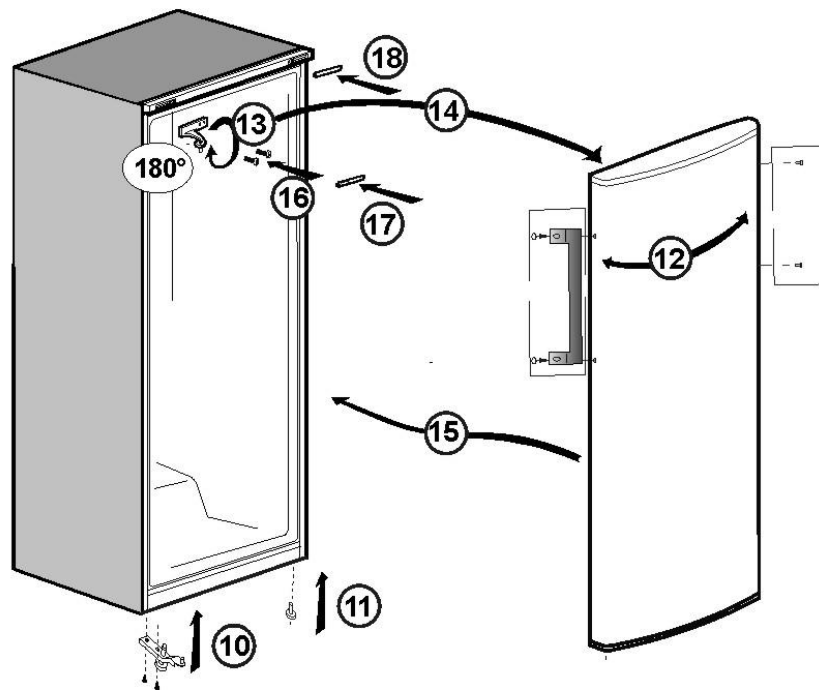
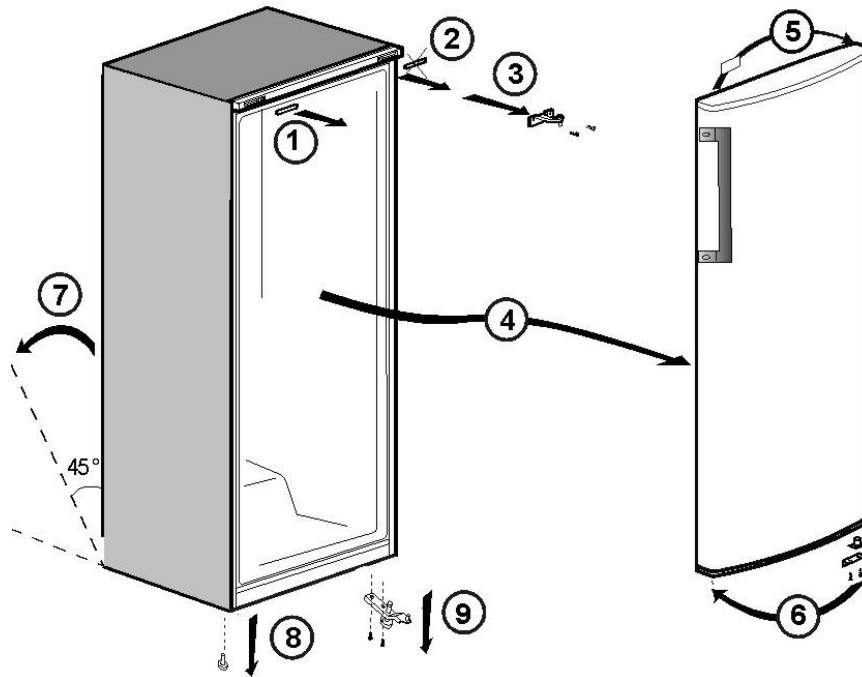
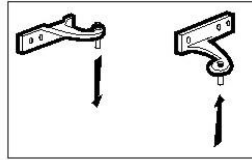


7



8

(13)



Congratulations on your choice of a BEKO Quality Appliance, designed to give you many years of service.

Safety first!

Do not connect your appliance to the electricity supply until all packing and transit protectors have been removed.

- Leave to stand for at least 4 hours before switching on, to allow compressor oil to settle, if transported horizontally.
- If you are discarding an old appliance with a lock or latch fitted to the door, ensure that it is left in a safe condition to prevent the entrapment of children.
- This appliance must only be used for its intended purpose.
- Do not dispose of the appliance on a fire. Your appliance contains non CFC substances in the insulation which are flammable. We suggest you contact your local authority for information on disposal and available facilities.
- We do not recommend use of this appliance in an unheated, cold room. (e.g. garage, conservatory, annex, shed, out-house etc.)

To obtain the best possible performance and trouble free operation from your appliance it is very important to read these instructions carefully. Failure to observe these instructions may invalidate your right to free service during the guarantee period.

Please keep these instructions in a safe place for easy reference.

Original Spare parts will be provided for 10 years, following the product purchasing date.

**This appliance is not intended for use by person with reduced physical, sensory or mental capabilities or lack of experience and knowledge unless they have been given supervision or instruction concerning use of the appliance by a person responsible for their safety.
Children should be supervised to ensure that they do not play with the appliance.**

Electrical requirements

Before inserting the plug into the wall socket make sure that the voltage and the frequency shown in the rating plate inside the appliance corresponds to your electricity supply.

We recommend that this appliance is connected to the mains supply via a suitably switched and fused socket in a readily accessible position.

The plug has to be accessible after installation in order to allow disconnection of the appliance from the supply after installation.

Warning! This appliance must be earthed.

Repairs to the electrical equipment may only be made by qualified experts. If the power cable is damaged, the manufacturer or customer service must replace it in order to avoid danger.

ATTENTION!

This appliance operates with R 600a which is an environmental friendly but flammable gas. During the transportation and fixing of the product, care must be taken not to damage the cooling system. If the cooling system is damaged and there is a gas leakage from the system, keep the product away from open flame sources and ventilate the room for a while.

WARNING - Do not use mechanical devices or other means to accelerate the defrosting process, others than those recommended by the manufacturer.

WARNING - Do not damage the refrigerant circuit.

WARNING - Do not use electrical appliances inside the food storage compartments of the appliance, unless they are of the type recommended by the manufacturer.

WARNING - If the supply cord is damaged, it must be replaced by the manufacturer, its service agent or similarly qualified persons in order to avoid a hazard.

Transportation instructions

1. The appliance should be transported only in an upright position. The packing as supplied must be intact during transportation.
2. If during the transport the appliance, has been positioned horizontally, it must not be

operated for at least 4 hours, to allow the system to settle.

3. Failure to comply with the above instructions could result in damage to the appliance, for which the manufacturer will not be held liable.

4. The appliance must be protected against rain, moisture and other atmospheric influences.

Important!

- Care must be taken while cleaning/carrying the appliance not to touch the bottom of the condenser metal wires at the back of the appliance, as this could cause injury to fingers and hands.
- Do not attempt to sit or stand on top of your appliance as it is not designed for such use. You could injure yourself or damage the appliance.
- Make sure that the mains cable is not caught under the appliance during and after moving, as this could damage the cable.
- Do not allow children to play with the appliance or tamper with the controls.

Installation instructions

1. Do not keep your appliance in a room where the temperature is likely to fall below -15 degrees C (5 degrees F) at night and/or especially in winter, as it is designed to operate in ambient temperatures between -15 and +43 degrees C (5 and 109 degrees F). At lower temperatures the appliance may not operate, resulting in a reduction in the storage life of the food.

2. Do not place the appliance near cookers or radiators or in direct sunlight, as this will cause extra strain on the appliance's functions. If installed next to a source of heat or freezer, maintain the following minimum side clearances:

From Cookers 30 mm

From Radiators 300 mm

From Freezers 25 mm

3. Make sure that sufficient room is provided around the appliance to ensure free air circulation (**Item 2**).

- Put the back airing lid to the back of your refrigerator to set the distance between the refrigerator and the wall (**Item 3**).

4. The appliance should be positioned on a smooth surface. The two front feet can be adjusted as required. To ensure that your appliance is standing upright adjust the two front feet by turning clockwise or anti-clockwise, until firm contact is secured with the floor. Correct adjustment of feet prevents excessive vibration and noise (**Item 4**).
5. Refer to "Cleaning and Care" section to prepare your appliance for use.

Temperature control and adjustment

The freezer temperature is influenced by the freezer temperature set button (**recommended are 2 or 3 position**).

Generally, this temperature is below -18°C . Lower temperatures can be obtained by adjusting the thermostat knob towards position MAX.

We recommend checking the temperature with a thermometer to ensure that the storage compartments are kept to the desired temperature. Remember to take the reading immediately since the thermometer temperature will rise very rapidly after you remove it from the freezer.

Please remember that each time the door is opened cold air escapes and the internal temperature rises. Therefore never leave the door open and ensure it is closed immediately after food is put in or removed.

Before operating

Final Check

Before you start using the freezer check that:

1. The feet have been adjusted for perfect levelling.
2. The interior is dry and air can circulate freely at the rear.
3. The interior is clean as recommended under "CLEANING AND CARE."
4. The plug is inserted into the wall socket and the electricity supply is switched on. Avoid accidental disconnection by taping over the switch.

And note that:

5. You will hear a noise as the compressor starts up. The liquid and gases sealed within the refrigeration system may also make some noise, whether the compressor is running or not. This is quite normal.

6. To freeze the fresh foods use the compartment marked with 4 stars (recommended second shelf).

7. Don't put in freezer a too big quantity of foods in the same time. The foods quality is well kept if they are deeply frozen in the shortest time possible. Therefore it is preferable do not exceed the freezing capacity of the appliance shown in "Appliance record". The thermostat knob shall be adjusted in order to obtain the lowest temperature inside the freezer, with the fast freeze function activated and the orange lamp lighting.

8. Do not load the appliance immediately it is switched on. Wait until the correct storage temperature has been reached. We recommend that you check the temperature with an accurate thermometer (see; Temperature Control and Adjustment).

Important Note:

If there is a power failure do not open the door. Frozen food should not be affected if the failure lasts for less than 16 hours. If the failure is longer, then the food should be checked and either eaten immediately or cooked and then re-frozen.

Freezer control panel

Item 5

The control panel adjusts the temperature in the freezer and has the following functions:

1 - Orange led - Fast freeze on

When you turn the freezer temperature set button (4) to the „FAST FREEZE“ position, the orange led (1) will lit and the appliance will run in lowest temperature conditions. The orange LED stops to lit after 50 hours of running in lowest temperature conditions.

2 - Green led - electricity on (Voltage)

Lights when the appliance is connected to the network and remains lit as long as it is available power supply. LED green does not provide information on temperature inside the freezer.

3 - Red Led - High Temperature Alarm

4 - Setting temperature button High temperature alarm

After the appliance is turned on for the first time the alarm is not active for 12 hours (red led is off).

After this period, red led can lights (red led is on) in the following cases:

- If the appliance is overloaded with fresh food
- If the door is left open by mistake.

In these cases the red led will remain lit until the appliance reached the preset temperature. If the red led is on wait for 24 hours before to announce the authorized service.

Important:

The temperatures obtained inside can vary according to the conditions of use of the appliance: location, ambient temperature, frequency of door opening, degree of loading with food. The temperature setting will be modified according to these conditions. If the red led is on wait for 24 hours before to announce the authorized service.

It could be the warm food placed inside the freezer and/or the door who was left open. In 24 hrs of functioning the allarm for hight temperature (red led) it should be off.

Fast freeze function

To activate FAST FREEZING function, please adjust the temperature setting knob to „FAST FREEZE” position. It is advised that you place the foodstuffs that you wish to freeze faster in the freezer compartment 24 hours after you activate fast freezing function. While fast freezing is activated, your refrigerator runs at lowest temperature setting for freezer. Fast freeze function lasts for 50 hours. After terminated, your refrigerator reverts to normal use conditions with a temperature setting of 3 even though the knob is still employed at „FAST FREEZE” position. This ecodesign feature provides energy saving when fast freezing function is not cancelled for any reason. Freezing capacity of your refrigerator is measured and declared while fast freezing function is active.

Storing frozen food

Your freezer is suitable for the long-term storage of commercially frozen foods and also can be used to freeze and store fresh food. If there is a power failure, do not open the door. Frozen food should not be affected if the failure lasts for less than 16 hrs. If the failure is longer, then the food should be checked and either eaten immediately or cooked and then re-frozen.

Freezing fresh food

Please observe the following instructions to obtain the best results.

Do not freeze too large a quantity at any one time. The quality of the food is best preserved when it is frozen right through to the core as quickly as possible.

If large amounts of fresh food are going to be frozen, adjust the control knob to „FAST FREEZE” position with 24 hours before putting the fresh food in the fast freeze compartment. It is strongly recommended to keep the knob at „FAST FREEZE” position at least 24 hours to freeze maximum amount of fresh food declared as freezing capacity. Take special care not to mix frozen food and fresh food.

Small quantities of food up to 1/2 kg. (1 lb) can be frozen without fast freezer function. Take special care not to mix already frozen food and fresh food.

Making ice cubes

(Item 6)

Fill the ice - cube tray 3/4 full with water and place it in the freezer. Loosen frozen trays with a spoon handle or a similar implement; never use sharp-edged objects such as knives or forks.

Getting to know your appliance

(Item 1)

- 1 - Control panel, display and adjustment
- 2 - Ice tray support and ice tray
- 3 - Compartment for quickly freezing
- 4 - Compartments for frozen froods keeping
- 5 - Adjustable front feet

Defrosting

Please defrost the freezer compartment at least twice a year or when the ice layer is too thick.

- Ice build-up is a normal phenomenon.
- The ice build-up, especially in the upper side of the compartment is a natural phenomenon and does not affect the good functioning of the appliance.
- It is recommended to defrost the appliance when the quantity of frozen food is not too big.

- Before the defrosting set the adjusting thermostat button on the maximum position in order to strongly freeze the foods. During this time, the temperature in the refrigerator must not be too low.

- Unplug the appliance
- Take out the frozen foods, pack them in several paper sheets and put them in a cool place.
- Let the door open for a quick defrosting and put inside vessels with warm water (max.80°C).

Do not use pointed or sharp-edged objects such as knives or forks to remove the frost. Never use hairdryers, electrical heaters or other such electrical appliances for defrosting. When defrosting has finished, close the defrosting part and dry the interior thoroughly (**Item 7 & 8**).

Cleaning and care

1. We recommend that you switch off the appliance at the socket outlet and pull out the mains plug before cleaning.

2. Never use any sharp instruments or abrasive substances, soap, household cleaner, detergent or wax polish for cleaning.

3. Use luke warm water to clean the cabinet of the appliance and wipe it dry.

4. Use a damp cloth wrung out in a solution of one teaspoon of bicarbonate of soda to one pint of water to clean the interior and wipe it dry.

5. If the appliance is not going to be used for a long period of time, switch it off, remove all food, clean it and leave the door ajar.

6. We recommend that you polish the metal parts of the product (i.e. door exterior, cabinet sides) with a silicone wax (car polish) to protect the high quality paint finish.

7. Any dust that gathers on the condenser, which is located at the back of the appliance, should be removed once a year with a vacuum cleaner.

8. Check door seals regularly to ensure they are clean and free from food particles.

9. Never:

- Clean the appliance with unsuitable material; eg petroleum based products.

- Subject it to high temperatures in any way,
- Scour, rub etc., with abrasive material.

10. Excess deposit of ice should be removed regularly. Large accumulation of ice will impair the performance of the freezer.

11. To remove a drawer, pull it as far as possible, tilt it upwards and then pull it out completely.

Repositioning the door

Proceed in numerical order (**Item 9**).

Do's and don'ts

- Do-** Check contents of the freezer at regular intervals.
- Do-** Clean and defrost your appliance regularly (See "Defrosting")
- Do-** Keep food for as short a time as possible and adhere to "Best Before" and "Use By" dates.
- Do-** Store commercially frozen food in accordance with the instructions given on the packets.
- Do-** Always choose high quality fresh food and be sure it is thoroughly clean before you freeze it.
- Do-** Prepare fresh food for freezing in small portions to ensure rapid freezing.
- Do-** Wrap frozen food immediately after purchasing and put it in to the freezer as soon as possible.
- Do-** Separate food in the compartments and complete the contents card. This will enable you to find food quickly and avoid excessive door opening, which will save electricity.
- Don't-** Leave the door open for long periods, as this will make the appliance more costly to run and cause excessive ice formation.
- Don't-** Use sharp edged objects such as knives or forks to remove the ice.
- Don't-** Put hot food into the appliance. Let it cool down first.

- Don't-** Put liquid-filled bottles or sealed cans containing carbonated liquids into the freezer, as they may burst.
- Don't-** Store poisonous or any dangerous substances in your appliance. It has been designed for the storage of edible foodstuffs only.
- Don't-** Exceed the maximum freezing loads when freezing fresh food.
- Don't-** Consume ice-cream and water ices direct from the freezer. The low temperature may cause 'freezer burns' on lips.
- Don't-** Freeze fizzy drinks.
- Don't-** Try to keep frozen food which has thawed; it should be eaten within 24 hours or cooked and refrozen.
- Don't-** Remove items from the freezer with wet hands.
- Don't-** Close the door before replacing the fast-freeze compartment cover.

Troubleshooting

If the appliance does not operate when switched on, check;

- That the plug is inserted properly in the socket and that the power supply is on. (To check the power supply to the socket, plug in another appliance)
- Whether the fuse has blown/circuit breaker has tripped/main distribution switch has been turned off.
- That the temperature control has been set correctly.
- That the new plug is wired correctly, if you have changed the fitted, moulded plug.

If the appliance is still not operating at all after above checks, contact the dealer from whom you purchased the unit.

Please ensure that above checks have been done, as a charge will be made if no fault is found.

Information about operating noises

To keep the selected temperature constant, your appliance occasionally switches ON the compressor.

The resulting noises are quite normal.

As soon as the appliance has reached the operating temperature, the noises automatically reduce in volume.

The humming noise is emitted by the motor (compressor). When the motor switches ON, the noise may briefly increase in volume.

The bubbling, gurgling or whirring noise is emitted by the refrigerant as it flows through the pipes.

The clicking noise can always be heard when the thermostat switches ON/OFF the motor.

A clicking noise may occur when

- the automatic defrosting system is active.
- the appliance is cooling down or warming up (material expansion).

If these noises are excessively loud, the causes are probably not serious and are usually very easy to eliminate.

The appliance is not level

Use the height-adjustable feet or place packing under the feet.

The appliance is not free-standing

Please move the appliance away from kitchen units or other appliances.


Shelves are loose or stick

Please check the detachable components and, if required, refit them.

Warning!

Do not attempt at any time to repair the appliance or its electric components yourself. Any repair done by an unskilled person is dangerous for the user and can lead to warranty loss.



The symbol  on the product or on packaging indicates that this product may not be treated as household waste. Instead it shall be handed over to the applicable collection point for the recycling of electrical and electronic equipment. By ensuring this product is disposed of correctly, you will help prevent potential negative consequences for the environment and human health, which could otherwise be otherwise be caused by inappropriate waste handling of this product. For more detailed information about recycling of this product, please contact your local city office, your household waste disposal service or the shop where you purchased the product.

Nous vous félicitons d'avoir choisi un Appareil de qualité BEKO conçu pour vous offrir de nombreuses années de service.

La sécurité d'abord !

Ne connectez pas votre appareil à l'alimentation électrique avant d'avoir enlevé tous les emballages et protections de transport.

- Attendez au moins 4 heures avant de le brancher pour que l'huile du compresseur se stabilise s'il a été transporté couché.
- Si vous vous débarrassez d'un vieil appareil à ressort ou loquet intégré à la porte, prenez soin de le rendre hors de danger pour éviter que les enfants ne s'enferment à l'intérieur.
- L'utilisation de cet appareil s'applique uniquement à l'usage prévu.
- Ne vous débarrassez pas de l'appareil dans un feu. L'isolation de votre appareil contient des substances non CFC qui sont inflammables. Veuillez contacter les autorités locales pour obtenir des renseignements concernant la mise au rebut et les endroits existants.
- L'utilisation de cet appareil dans une pièce froide, non chauffée n'est pas recommandée. (garage, jardin d'hiver, annexe, abri, remise, etc.)

Afin d'obtenir le meilleur résultat possible et un fonctionnement sans encombres de votre appareil, veuillez lire ces instructions attentivement. Le non-respect de ces instructions pourrait annuler votre droit à l'assistance sans frais pendant la période de garantie.

Veuillez conserver ces instructions soigneusement à titre de référence pratique.

Les pièces détachées d'origine sont disponibles pendant 10 ans, à compter de la date d'achat du produit.

Cet appareil ne sera pas utilisé par des personnes ayant capacités physiques, sensorielles ou mentales réduites, ou sans expérience concernant l'utilisation de l'appareil, si une personne responsable de leur sécurité ne les a pas instruites pour ce but.

Les enfants doivent être surveillés pour avoir la certitude qu'ils ne jouent pas avec l'appareil.

Conditions électriques

Avant de brancher l'appareil à la prise murale, vérifiez que la tension et la fréquence indiquées sur la plaque signalétique à l'intérieur de l'appareil correspondent à votre alimentation électrique.

Nous recommandons de connecter cet appareil au réseau électrique par le biais d'une prise dotée d'un commutateur et d'un fusible et placée de façon à être facile d'accès.

La prise doit être accessible après l'installation afin de permettre le débranchement de l'appareil du secteur.

Avertissement ! Cet appareil doit être branché à une borne de mise à la terre.

Les réparations de l'appareillage électrique doivent être réalisées par des techniciens qualifiés. Si le câble d'alimentation est endommagé, il doit être remplacé par le constructeur ou le service clientèle afin d'écartier tout danger.

ATTENTION !

Cet appareil fonctionne avec du R 600a, un gaz qui contribue à la protection de l'environnement mais qui est inflammable. Pendant le transport et l'installation du produit, veillez à ne pas endommager le système réfrigérant. Si le système réfrigérant est abîmé et qu'une fuite de gaz se produit, tenez l'appareil à l'écart des sources de flammes vives et aérer bien la pièce.

AVERTISSEMENT - N'utilisez pas d'outils mécaniques ou autres moyens pour accélérer le processus de décongélation autres que ceux qui sont recommandés par le fabricant.

AVERTISSEMENT- N'abîmez pas le circuit réfrigérant.

AVERTISSEMENT- Ne faites pas fonctionner d'appareils électriques à l'intérieur des compartiments de conservation de denrées, à moins qu'ils soient conformes au type d'appareils recommandés par le fabricant.

AVERTISSEMENT- Si le cordon d'alimentation est endommagé, celui-ci doit être remplacé par le fabricant, ses agents agréés ou tout autre agent qualifié afin d'être à l'abri de tout danger.

Instructions de transport

1. L'appareil doit être transporté en position

debout uniquement. L'emballage fourni doit rester intact pendant le transport.

2. Si l'appareil a été couché pendant le transport, il ne doit pas être mis en service pendant au moins 4 heures pour permettre au système de se stabiliser.

3. Le non-respect des instructions ci-dessus pourrait endommager l'appareil et ne saurait engager la responsabilité du fabricant.

4. L'appareil doit être protégé contre la pluie, l'humidité et autres conditions atmosphériques.

Important !

- Lors du nettoyage/déplacement de l'appareil, prenez soin de ne pas toucher les câbles métalliques du condenseur au dos de l'appareil, cela pouvant occasionner des blessures aux doigts et aux mains.
- N'essayez pas de vous asseoir ou de vous monter sur l'appareil, celui-ci n'étant pas prévu à cet effet. Vous pourriez vous blesser ou endommager l'appareil.
- Assurez-vous que le câble d'alimentation ne soit pas coincé sous l'appareil pendant et après son déplacement car cela pourrait endommager le câble.
- Veillez à ce que les enfants ne jouent pas avec l'appareil et ne touchent pas aux commandes.

Instructions d'installation

1. N'installez pas votre appareil dans une pièce dont la température peut descendre en dessous de -15 degrés Celsius (5 degrés Fahrenheit) la nuit et/ou particulièrement en hiver. En effet, il est conçu pour fonctionner à des températures ambiantes comprises entre -15 et +43 degrés Celsius (5 et 109 degrés Fahrenheit). En cas de températures inférieures, l'appareil peut ne pas fonctionner correctement et réduire ainsi la durée de conservation des denrées.

2. Ne placez pas l'appareil à proximité de cuisinières, radiateurs ou à la lumière directe du soleil, car cela entraînerait un effort supplémentaire des fonctions de l'appareil. S'il est installé à côté d'une source de chaleur ou d'un congélateur, respectez les dégagements latéraux minimum suivants :

- des Cuisinières 30 mm
- des Radiateurs 300 mm
- des Congélateurs 25 mm

3. Assurez-vous de laisser suffisamment d'espace autour de l'appareil pour que l'air puisse circuler librement (**figure 2**).

• Placez la grille d'aération au dos de votre réfrigérateur pour établir la distance nécessaire entre le réfrigérateur et le mur (**figure 3**).

4. L'appareil doit être posé sur une surface lisse. Les deux pieds avant peuvent se régler si nécessaire. Pour s'assurer que votre appareil est à niveau, ajustez les deux pieds avant en tournant dans le sens des aiguilles d'une montre ou dans le sens inverse jusqu'à ce que l'appareil soit bien calé au sol. Le réglage approprié des pieds évite les vibrations excessives et le bruit (**figure 4**).

5. Référez-vous à la section « Nettoyage et Entretien » pour préparer votre appareil à l'emploi.

Commande de température et réglage

La température du congélateur dépend de la position du bouton de réglage de la température du congélateur (**il est recommandé de le placer sur 2 ou 3**).

Généralement, cette température est inférieure à -18°C. Vous pouvez obtenir des températures plus basses en ajustant la commande du thermostat dans la direction de la Position MAX.

Nous vous conseillons de vérifier la température avec un thermomètre pour s'assurer que les compartiments de conservation soient maintenus à la température souhaitée. Pensez à lire la température sur le thermomètre immédiatement comme elle montera très rapidement après l'avoir sorti du congélateur. Veuillez vous rappeler que l'air froid s'échappe et la température interne monte à chaque ouverture de la porte. Ne laissez donc jamais la porte ouverte et assurez-vous de la fermer immédiatement après avoir introduit ou sorti des denrées.

Avant l'utilisation

Vérification finale

Avant de commencer à utiliser le congélateur, vérifiez que :

1. Les pieds ont été ajustés et sont parfaitement à niveau.
2. L'intérieur est sec et l'air peut circuler librement derrière l'appareil.

3. L'intérieur est propre comme l'indique la section « NETTOYAGE ET ENTRETIEN ».

4. La prise de l'appareil est branchée à la prise murale et le courant passe. Évitez une coupure accidentelle en collant du ruban adhésif sur la prise.

Et notez que :

5. Vous remarquerez un bruit lorsque le compresseur se met en marche. Le liquide et les gaz intégrés au système du réfrigérateur peuvent également faire du bruit, que le compresseur soit en marche ou non. Ceci est tout à fait normal.

6. Pour congeler les produits frais, utilisez le compartiment indiqué par 4 étoiles (il est recommandé de le placer sur le second tiroir).

7. N'introduisez pas une trop grande quantité de denrées dans le congélateur à la fois. La qualité des denrées est bien préservée si elles sont entièrement congelées aussi rapidement que possible. Il est donc conseillé de ne pas dépasser le pouvoir de congélation de l'appareil indiqué sur la plaque signalétique. Le thermostat doit être réglé de façon à obtenir la température la plus basse dans le congélateur, le bouton de congélation rapide doit être activé et le témoin jaune doit clignoter.

8. Ne remplissez pas l'appareil immédiatement après l'avoir branché. Attendez que la bonne température de conservation soit atteinte. Nous vous conseillons de vérifier la température à l'aide d'un thermomètre précis (voir Commande de Température et Réglage).

Remarque importante :

En cas de panne de courant, n'ouvrez pas la porte. Les denrées surgelées ne devraient pas s'abîmer si la coupure dure moins de 16 heures. Si la panne dure plus longtemps, inspectez les denrées et mangez-les immédiatement ou bien faites-les cuire puis congélez-les à nouveau.

Bandeau de commande du congélateur

Figure 5

Le bandeau de commande contrôle la température du congélateur et dispose des fonctions suivantes :

1 - LED orange - Congélation rapide active

Lorsque vous tournez la molette de réglage de la température du congélateur en position "CONGÉLATION RAPIDE" (bouton 4), le LED orange (1) s'éclairera et l'appareil fonctionnera avec la température la plus basse. Le LED s'éteindra après 50 heures de fonctionnement de l'appareil en mode basse température.

2 - LED verte - alimentation (tension)

S'allume lorsque l'appareil est connecté au secteur et reste allumé tant qu'il est alimenté en électricité. La LED verte ne fournit aucune information sur la température à l'intérieur du congélateur.

3 - LED rouge - Alarme de température élevée

4 - Bouton de réglage de fonctionnement

Alarme de température élevée

Lorsque l'appareil a été allumé pour la première fois, l'alarme n'est pas active pendant 12 heures (la LED rouge est éteinte). Après cette période, la LED rouge peut s'allumer dans les cas suivants :

- Si l'appareil est surchargé de produits frais.
- Si la porte a été laissée ouverte par mégarde.

Dans ces cas, la LED rouge restera allumée jusqu'à ce que l'appareil atteigne la température prédéfinie.

Si la LED rouge est allumée, attendez 24 heures avant de contacter le service après vente agréé.

Important :

Les températures obtenues peuvent varier selon les conditions d'utilisation de l'appareil : emplacement, température ambiante, fréquence d'ouverture de la porte, quantité de denrées introduites. Le réglage de la température sera modifié en fonction de ces conditions.

Si la LED rouge est allumée, attendez 24 heures avant de contacter le service après vente agréé.

Des aliments chauds ont pu être introduits dans le congélateur et/ou la porte a été laissée ouverte.

Au bout de 24 heures, le voyant d'alerte de haute température (LED rouge) devrait s'éteindre.

Fonction de congélation rapide

Pour activer la fonction CONGÉLATION RAPIDE, veuillez positionner la molette de réglage de la température sur le mode "CONGÉLATION RAPIDE". Il est conseillé de ranger les aliments dont vous souhaitez une congélation rapide dans le compartiment de votre congélateur, 24 heures après que la fonction congélation rapide ait été activée. Aussi longtemps que la fonction congélation rapide est activée, votre réfrigérateur fonctionnera en mode température minimum pour le congélateur. La fonction congélation rapide dure 50 heures maximum. Une fois le processus achevé, votre réfrigérateur fonctionnera à nouveau sur un mode normal, avec un réglage de la température sur 3, et ce, même si la molette est toujours positionnée sur "CONGÉLATION RAPIDE". Cette approche d'écoconception a l'avantage d'économiser de l'énergie, au cas où vous omettriez de désactiver la fonction de congélation rapide. La capacité de congélation de votre réfrigérateur est mesurée et déclarée lorsque la fonction de congélation rapide est active.

Conservation des denrées surgelées

Votre congélateur est destiné à la conservation à long terme d'aliments surgelés du commerce et peut servir également à congeler et conserver des produits frais.

En cas de panne de courant, n'ouvrez pas la porte. Les denrées surgelées ne devraient pas s'abîmer si la coupure dure moins de 16 heures. Si la coupure est plus longue, inspectez les denrées et mangez-les immédiatement ou bien faites-les cuire puis congélez-les à nouveau.

Congeler les produits frais

Veillez respecter les instructions suivantes afin d'obtenir les meilleurs résultats. Ne congélez pas une quantité trop importante à la fois. La qualité des aliments est préservée de façon optimale lorsqu'ils sont entièrement congelés aussi rapidement que possible.

Si vous vous apprêtez à congeler de grandes quantités de produits frais, positionnez le bouton de réglage sur le mode CONGÉLATION RAPIDE, 24 heures avant de ranger les produits frais dans le compartiment de congélation rapide.

Nous vous recommandons fortement de laisser la touche de congélation sur la position CONGÉLATION RAPIDE pendant au moins 24 heures pour congeler un volume maximal de produits frais correspondant au pouvoir de congélation stipulé. Faites très attention de ne pas mélanger les produits congelés avec les produits frais.

De petites quantités de nourriture ne dépassant pas 0,5 kg (1 lb) peuvent être congelées sans la fonction de congélation rapide.

Faites particulièrement attention à ne pas mélanger les produits déjà congelés et les produits frais.

Fabrication de glaçons

(Figure 6)

Remplissez les bacs à glaçons d'eau jusqu'aux $\frac{3}{4}$ et introduisez les dans le congélateur. Dégagez les bacs à glaçons à l'aide du manche d'une cuillère ou outil similaire, n'utilisez jamais d'objets tranchants tels que des couteaux ou fourchettes.

Apprendre à connaître votre appareil

(Figure 1)

- 1 - Bandeau de commande, affichage et réglage
- 2 - Bac à glaçons et support
- 3 - Compartiment de congélation rapide
- 4 - Compartiment de conservation des denrées surgelées
- 5 - Pieds avant réglables

Dégivrage

Veillez dégivrer le compartiment congélateur au moins deux fois par an ou lorsque la couche de glace est trop épaisse.

- La formation de glace est un phénomène normal.
- La formation de glace, notamment dans le compartiment supérieur, est normale et n'affecte pas le fonctionnement de l'appareil.
- Il est conseillé de dégivrer l'appareil lorsque la quantité de denrées surgelées n'est pas trop importante.
- Avant de procéder au dégivrage, réglez la commande du thermostat sur la position maximale de façon à bien congeler les denrées. Au cours de cette période, la température dans le réfrigérateur ne doit pas être trop basse.
 - Débranchez l'appareil
 - Sortez les denrées surgelées, enveloppez-les dans plusieurs feuilles de papier et mettez-les dans un endroit frais.
 - Laissez la porte ouverte pour accélérer le dégivrage et introduisez des récipients d'eau chaude (80°C maximum).

N'utilisez pas d'objets pointus ou tranchants tels que couteaux ou fourchettes pour enlever le givre.

N'utilisez jamais de sèche-cheveux, radiateurs électriques ou autres appareils électriques similaires pour dégivrer.

Une fois le dégivrage terminé, séchez soigneusement l'intérieur **(Figure 7 et 8)**.

Nettoyage et entretien

1. Avant de procéder au nettoyage, veuillez déconnecter le réfrigérateur et débrancher la prise d'alimentation.
2. N'utilisez jamais d'ustensiles tranchants ni de substances abrasives, savon, produit de nettoyage domestique, détergent ou cirage pour le nettoyer.
3. Utilisez de l'eau tiède pour nettoyer la carrosserie et séchez soigneusement à l'aide d'un chiffon.

4. Utilisez un chiffon humide imbibé d'une solution composée d'une cuillère à café de bicarbonate de soude pour un demi litre d'eau pour nettoyer l'intérieur et séchez soigneusement.

5. En cas de non utilisation de l'appareil pendant une période prolongée, débranchez-le, sortez toutes les denrées, nettoyez-le et laissez la porte entrouverte.

6. Il est recommandé de polir les parties métalliques de votre appareil (extérieur de la porte, parois latérales de la carrosserie) à l'aide d'une cire en silicone (cire pour voiture) pour protéger la surface peinte de qualité supérieure.

7. Dépoussiérez le condenseur situé à l'arrière de l'appareil une fois par an à l'aide d'un aspirateur.

8. Inspectez les joints de porte régulièrement pour vérifier qu'ils sont propres et qu'il n'y a pas de particules de nourriture.

9. Ne jamais :

- Nettoyer l'appareil au moyen d'un produit inadapté, à base de pétrole par exemple.
- L'exposer à de hautes températures en aucune façon.
- Récuser, frotter etc. avec un matériau abrasif.

10. Le dépôt excessif de glace doit être enlevé régulièrement. Une couche de glace trop épaisse diminuera les résultats du congélateur.

11. Pour sortir un tiroir, tirez-le vers vous autant que possible, soulevez-le et retirez-le ensuite complètement.

Repositionnement de la porte

Procédez dans l'ordre numérique (**figure 9**).

À faire / À éviter

À faire- Inspecter le contenu du congélateur à intervalles réguliers.

À faire- Nettoyer et dégivrer votre appareil régulièrement (voir « Dégivrage »).

À faire- Conserver les denrées pendant une durée aussi courte que possible et respecter les « dates limite de conservation » et « dates limite de consommation ».

À faire- Stocker les aliments surgelés dans le commerce selon les instructions indiquées sur les emballages.

À faire- Toujours Sélectionner des produits frais de bonne qualité et veiller à les nettoyer soigneusement avant de les congeler.

À faire- Préparer de petites portions de produits frais à congeler pour permettre une congélation rapide.

À faire- Emballer les produits surgelés juste après les avoir acheté et les mettre au congélateur dès que possible.

À faire- Répartir les denrées dans les compartiments et remplir la carte du contenu. Cela vous permettra de trouver les aliments rapidement et d'éviter d'ouvrir la porte trop longtemps, ce qui économisera de l'électricité.

À éviter- Laisser la porte ouverte pendant une durée prolongée car cela augmentera le coût de fonctionnement de l'appareil et entraînera un dépôt excessif de glace.

À éviter- Utiliser des objets tranchants tels que couteaux ou fourchettes pour enlever la glace.

À éviter- Introduire des aliments chauds dans l'appareil. Le laisser refroidir au préalable.

À éviter- Mettre des bouteilles remplies de liquide ou cannettes fermées hermétiquement contenant des liquides gazeux au congélateur car elles pourraient éclater.

À éviter- Conserver des substances toxiques ou dangereuses dans l'appareil. Ce dernier a été conçu pour la conservation de denrées alimentaires uniquement.

À éviter- Dépasser le pouvoir de congélation maximal lors de la congélation de produits frais.

À éviter- Consommer de la glace et des bâtonnets glacés dès leur sortie du congélateur. La basse température peut provoquer des brûlures aux lèvres.

À éviter- Congeler des boissons gazeuses.

- À éviter-** Conserver un produit congelé qui a été dégelé ; il doit être consommé sous 24 heures ou bien cuit puis recongelé.
- À éviter-** Sortir des produits du congélateur avec les mains mouillées.
- À éviter-** Fermer la porte avant de remettre le couvercle du compartiment congélation rapide en place.

Diagnostic

Si l'appareil ne fonctionne pas quand il est branché, vérifiez :

- Que la prise de l'appareil est branchée correctement à la prise murale et que le courant passe (pour vérifier l'alimentation à la prise murale, branchez un autre appareil)
- Si le fusible a sauté/le disjoncteur s'est déclenché/l'interrupteur du réseau d'alimentation est éteint.
- Que la commande de température soit réglée correctement.
- Que la nouvelle prise soit montée correctement si vous avez changé la prise moulée intégrée.

Si l'appareil ne fonctionne toujours pas après avoir effectué toutes les vérifications ci-dessus, contactez le fournisseur qui vous a vendu le produit.

Veuillez vous assurer d'avoir effectué toutes les vérifications ci-dessus car vous serez facturés si aucun défaut n'est détecté.

Informations relatives aux bruits de fonctionnement

Afin de maintenir la température sélectionnée, votre appareil met le compresseur en marche de temps en temps.

Les bruits correspondants sont tout à fait normaux.

Dès que l'appareil atteint la température de fonctionnement, les bruits sont automatiquement atténués.

Le vrombissement est émis par le moteur (compresseur). Lorsque le moteur se met en marche, le volume sonore peut augmenter brièvement.

Les bruits de bouillonnement, de **gargouillement** ou de **ronnement** sont émis par le réfrigérant lorsqu'il circule dans les tuyaux.

Un **bruit sec** se fait toujours entendre lorsque le thermostat enclenche/arrête le moteur.

Un bruit sec peut être émis lorsque

- le système de dégivrage automatique est activé.
- l'appareil se refroidit ou se réchauffe (expansion des matériaux).

Si ces bruits sont excessivement forts, leurs causes ne sont probablement pas graves et peuvent être supprimées très facilement.

L'appareil n'est pas à niveau

Utilisez les pieds ajustables ou insérez une cale sous le pied.

L'appareil n'est pas indépendant

Veuillez séparer l'appareil des meubles de cuisine ou autres appareils.

Les clayettes sont desserrées ou coincées

Veuillez vérifier les composants amovibles et les réinstaller, le cas échéant.

Avertissement !

N'essayez en aucun cas de réparer l'appareil ou l'un de ses composants électriques vous-même. Toute réparation effectuée par une personne non qualifiée est dangereuse pour l'utilisateur et peut entraîner l'annulation de la garantie.

Recyclage



Ce produit est marqué du symbole du tri sélectif, relatif aux déchets d'équipements électriques et électroniques. Cela signifie que ce produit doit être pris en charge par un système de collecte sélectif conformément à la directive européenne 2002/96/CE, afin de pouvoir être recyclé ou démantelé dans le but de réduire tout impact sur l'environnement. Attention les produits électroniques n'ayant pas fait l'objet d'un tri sélectif sont potentiellement dangereux pour l'environnement et la santé humaine en raison de la présence potentielle de substances dangereuses.

تهانينا لاختيارك جهاز BEKO الذي يتمتع بجودة عالية، المصمم لإعطائك سنوات عديدة من الخدمة.

السلامة أولاً!

- يجب عدم توصيل الجهاز بمصدر التيار قبل نزع كافة واقيات التعبئة والنقل.
- اترك الجهاز منتصباً لمدة 4 ساعات قبل تشغيله للسماح باستقرار زيت الضاغط، إذا تم نقله بطريقة أفقية.
- إذا قمت بنبذ جهازك القديم بمزلاج أو ممسكة موصلة بالباب، تأكد من تركه في جو آمن لمنع الأطفال من الوصول إليه.
- يجب استخدام هذا الجهاز للأغراض المصمم من أجلها فقط.
- يجب عدم التخلص من الجهاز بإلقائه في النار. يحتوي الجهاز على مواد لا تحتوي على كلوروفلوروكربون في المادة العازلة وهو مواد قابلة للاشتعال. يُرجى الاتصال بالجهات المحلية المختصة لمعرفة المعلومات الملائمة للتخلص من الأجهزة ومعرفة الأماكن المخصصة لذلك.
- يوصى بعدم استخدام هذا الجهاز في غرفة باردة أو غير دافئة، (على سبيل المثال المرآب أو الأماكن المغلقة أو البنايات الملحقة أو خارج المنزل وما إلى ذلك).
- من الضروري قراءة هذه الإرشادات بعناية للحصول على أفضل أداء ممكن وتجنب مشاكل تشغيل الجهاز. عدم الالتزام بالتعليمات يمكن أن يفقدك حقك في الخدمة المجانية أثناء مدة الضمان.
- يرجى حفظ هذه الإرشادات في مكان آمن حتى يسهل الرجوع إليها.
- قطع الغيار الأصلية سوف يتم توفيرها لمدة 10 سنوات، بدءاً من تاريخ شراء المنتج.

هذا الجهاز غير مخصص للاستخدام بواسطة أشخاص (بما في ذلك الأطفال) ذوي الحاجات الخاصة الجسدية أو الحسية أو الذهنية أو الذين يفتقرون إلى الخبرة والمعرفة ما لم يتم الإشراف عليهم أو إعطائهم تعليمات حول طريقة استخدام الجهاز بواسطة شخص مسنول عن سلامتهم. يجب الإشراف على الأطفال للتأكد من أنهم لا يعيثون بالجهاز.

المتطلبات الكهربائية

3. عدم الالتزام بالإرشادات السابقة قد ينتج عنه خسائر في الجهاز والتي لن تحاسب عليها جهة التصنيع.
4. يجب أن يتم حماية الجهاز من هطول الأمطار والرطوبة والظروف الجوية الأخرى.

مهم!

- يجب توخي الحذر عند تنظيف / حمل الجهاز بحيث لا يلمس أطراف الأسلاك المعدنية للمكثف الموجود في مؤخرة الجهاز، حيث قد يسبب ذلك إصابات بالأصابع واليدين.
- لا تحاول الجلوس على الجهاز أو الوقوف عليه حيث أنه لم يصمم لهذا الاستعمال. قد تتسبب في إصابة نفسك أو في تلف الجهاز.
- تأكد من عدم وجود الكابل الرئيسي تحت الجهاز أثناء وبعد تحريكه حيث قد يؤدي ذلك لتلفه.
- لا يسمح للأطفال باللعب بالجهاز أو العبث بمفاتيح التحكم.

إرشادات التركيب

1. لا يجب وضع الجهاز بالقرب من أوعية الطبخ أو أجهزة الإشعاع أو تعرضه المباشر لأشعة الشمس، حيث قد يتسبب ذلك في إجهاد إضافي لوظائف الجهاز. إذا تم تركيب الجهاز بجوار مصدر حرارة أو فريزر، يجب الحفاظ على الحد الأدنى للمسافات الفاصلة الآتية:
 - بعيداً عن أوعية الطبخ 30م
 - بعيداً عن أجهزة الإشعاع 300م
 - بعيداً عن الفريزر 25م
2. تأكد من وجود مساحة فارغة كافية حول الجهاز لضمان حرية دوران الهواء (الشكل 2)
 - ثبت غطاء التهوية الخلفي في مؤخرة الثلاجة لضبط المسافة بين الثلاجة والحائط (الشكل 3).
3. يجب وضع الجهاز فوق سطح أملس. يمكنك ضبط القدم الأمامية كما ترغب. للتأكد من أن الجهاز يقف منتصباً اضبط القدم الأمامية في اتجاه عقارب الساعة أو عكس عقارب الساعة، حتى يلمس المنتج الأرض بشكل محكم. التثبيت المحكم بالأرض يؤدي إلى تفادي الاهتزاز والضوضاء المفرطة (الشكل 4).

قبل إدخال القابس في مقبس الحائط تأكد أن درجة الجهد والتكرار الموضحة في ملصق التصنيف تتطابق مع مصدر التيار. يوصى بتوصيل هذا الجهاز بمصدر التيار الرئيسي بواسطة مقبس تيار ملائم يسهل الوصول إليه.

يجب أن يكون القابس سهل الوصول إليه بعد التثبيت للسماح بفصل الجهاز عن مصدر التيار بعد التثبيت.

تحذير! يجب وضع الجهاز على الأرض.

* يجب أن يقوم بأعمال إصلاح الجهاز الكهربائي أفراد مؤهلون. في حالة تلف كابل التوصيل، يجب أن تقوم الجهة المصنعة أو مركز خدمة العملاء باستبدال كابل التوصيل لتفادي حدوث مخاطر.

تنبيه!

يعمل هذا الجهاز بغاز R 600a وهو غاز صديق للبيئة ولكنه قابل للاشتعال. أثناء نقل وتثبيت المنتج، يجب توخي الحذر لعدم إتلاف نظام التبريد. في حالة تلف نظام التبريد، أو في حالة حدوث تسرب من النظام، احتفظ بالمنتج بعيداً عن مصادر ألسنة اللهب وقم بتهوية الغرفة لفترة.

تحذير - يجب عدم استخدام أدوات ميكانيكية أو أية وسائل أخرى لتسريع عملية إذابة التجمد، بخلاف ما توصي بها جهة التصنيع.

تحذير - يجب عدم إتلاف دائرة التبريد.

تحذير - يجب عدم استخدام أجهزة كهربائية دخل تجاوبف تخزين الطعام الموجودة بالجهاز، إلا إذا كانت من النوع الذي أوصت به جهة التصنيع.

تحذير - في حالة تلف سلك التيار الكهربائي، يجب أن تحل محلها من قبل الشركة المصنعة، وكيل خدماتها أو الأشخاص المؤهلين وكذلك من أجل تجنب المخاطر.

إرشادات النقل

1. يجب أن يتم نقل الجهاز وهو في وضع منتصب فقط. يجب أن تكون حزمة التعبئة محكمة الغلق خلال النقل.
2. إذا تم وضع الجهاز أثناء النقل في وضع أفقي يجب ترك الجهاز دون تشغيل لمدة لا تقل عن 4 ساعات، حتى يتم السماح للنظام بالاستقرار.

4. يمكنك الرجوع إلى قسم "التنظيف والعناية" لإعداد جهازك للاستخدام.

التحكم في درجة الحرارة والضبط

تتأثر درجة حرارة الفريزر بزر ضبط درجة حرارة الفريزر (الموصى به هو وضع 2 أو 3).

عمومًا، درجة الحرارة هذه أقل من -18 درجة مئوية. يمكن الحصول على درجات حرارة منخفضة عن طريق ضبط مقبض الترموستات باتجاه الوضع MAX (الحد الأقصى).

يوصى بفحص درجة الحرارة بترموتر للتأكد من ضبط تجويف التخزين على درجة الحرارة المرغوبة. تذكر ضرورة قراءة درجة الحرارة في الحال حيث سترتفع درجة حرارة الترمومتر بسرعة كبيرة بعد إزالته من الفريزر. يُرجى تذكر أن في كل مرة يتم فيها فتح الباب يخرج الهواء البارد وترتفع درجة الحرارة الداخلية. وعلى ذلك، لا تترك الباب مفتوحاً وتأكد من إغلاقه في الحال بعد وضع أو إزالة الطعام.

قبل التشغيل

الفحص النهائي

قبل بدء استخدام الفريزر تحقق من الآتي:

1. تثبيت القدم على سطح مستو.
2. جفاف الجزء الداخلي للجهاز وأن الهواء يدور بحرية في الجزء الخلفي.
3. نظافة الجهاز من الداخل كما هو موصى به تحت عنوان "التنظيف والعناية".
4. توصيل القابس في مقبس الحائط وعمل الكهرباء. تجنب انقطاع التيار العرضي عن طريق النقر على المفتاح.

ولاحظ أن:

5. سوف تسمع ضوضاء عند بدء عمل جهاز ضغط الهواء. قد تؤدي السوائل والغازات الموجودة داخل جهاز التلاجة إلى إحداث بعض الضوضاء سواء أكان الضاغط يعمل أو لا. هذا شيء طبيعي تمامًا.
6. لتجميد الأطعمة الطازجة، استخدم الحجرة التي عليها علامة 4 نجوم (يوصى بالرف الثاني).
7. لا تضع في الفريزر كمية كبيرة من الأطعمة في الوقت نفسه. يتم الحفاظ على جودة الأطعمة إذا تم تجميدها بعمق في أقصر وقت ممكن.

لذا، يُفضل عدم تجاوز سعة التجميد الخاصة بالجهاز الموضحة في "سجل الجهاز". يجب ضبط مقبض الترموستات للحصول على أقل درجة حرارة في الفريزر، وتفعيل وظيفة التجميد السريع وإضاءة المصباح البرتقالي.

8. لا تقم بتحميل الجهاز في الحال بمجرد تشغيله. انتظر حتى يصل الجهاز لدرجة حرارة التخزين الصحيحة. نوصي بفحص درجة الحرارة بواسطة ترمومتر دقيق (انظر؛ التحكم في درجة الحرارة والضبط).

ملاحظة مهمة:

إذا حدث تعطل للطاقة لا تفتح الباب. لن يتأثر الطعام المجمد إذا استمر الانقطاع لأقل من 16 ساعة. أما إذا استمر التعطل لأكثر من ذلك، فيجب فحص الأطعمة وأكلها في الحال أو طهيها وإعادة تجميدها بعد ذلك.

لوحة التحكم في الفريزر

الشكل 5

تقوم لوحة التحكم بضبط درجة الحرارة في الفريزر وبها الوظائف التالية:

1 - مصباح led برتقالي - التجميد السريع قيد التشغيل

عند تشغيل درجة حرارة الفريزر، اضبط الزر (4) على وضع «FAST FREEZE التجميد السريع»، سيضيء مصباح الـ led البرتقالي (1) وسيعمل الجهاز في أقل درجة حرارة. يتوقف مصباح LED البرتقالي عن الإضاءة بعد 50 ساعة من العمل في أقل درجة حرارة.

2 - مصباح led أخضر - الكهرباء قيد التشغيل (الجهود)

يضيء عندما يكون الجهاز متصل بالشبكة ويبقى مضاء طوال توفر مصدر الطاقة. مصباح الـ LED الأخضر لا يوفر معلومات عن درجة الحرارة داخل الفريزر.

3 - مصباح Led أحمر - إنذار بوجود درجة حرارة مرتفعة

4 - زر إعداد درجة الحرارة

إنذار بوجود درجة حرارة مرتفعة

بعد تشغيل جهازك للمرة الأولى لن يكون التنبيه فعالاً لمدة 12 ساعة (مصباح الـ led الأحمر قيد إيقاف التشغيل). بعد هذه المدة، يمكن أن يضيء مصباح الـ led الأحمر (مصباح الـ led الأحمر قيد التشغيل) في الحالات التالية:

أما إذا استمر التعطل لأكثر من ذلك، فيجب فحص الأطعمة وأكلها في الحال أو طهيها وإعادة تجميدها بعد ذلك.

تجميد الأطعمة الطازجة

يرجى إتباع التعليمات الآتية للحصول على أفضل النتائج. لا تقم بتجميد كمية كبيرة مرة واحدة في نفس الوقت. يتم الاحتفاظ بجودة الطعام بشكل أفضل عند تجميده بطريقة صحيحة بالكامل في أسرع وقت ممكن.

في حالة تجميد كميات كبيرة من الأطعمة الطازجة، اضبط مقبض التحكم على وضع «FAST FREEZE (التجميد السريع)» بفترة 24 ساعة قبل وضع الأطعمة الطازجة في حجرة التجميد السريع. يوصى بشدة أن يتم بالإبقاء على المقبض في وضع «FAST FREEZE (التجميد السريع)» لمدة 24 ساعة لتجميد أكبر كمية من الأطعمة الطازجة المسموح بها حسب سعة التجميد. توخ الحذر جيداً لعدم خلط الأطعمة المجمدة بالأطعمة الطازجة. يمكن تجميد الكميات الصغيرة من الطعام حتى وزن 2/1 كجم. يمكن تجميد (1 رطل) دون تفعيل وظيفة التجميد السريع، توخ الحذر جيداً من خلط الأطعمة المجمدة فعلياً بالأطعمة الطازجة.

إعداد مكعبات الثلج (الشكل 6)

أملأ 4/3 من ملء درج مكعبات الثلج بالماء وضعه في الفريزر. قم بفك الصواني المجمدة بالاستعانة بمقبض الملعقة أو أي أداة مشابهة، ولا تقم مطلقاً باستخدام الأغراض مستدقة الرأس مثل السكاكين والشوكات.

التعرف على الجهاز الخاص بك (الشكل 1)

- 1- لوحة التحكم والعرض والضببط
- 2 - دعامة درج الثلج ودرج الثلج
- 3 - مقصورة التجميد السريع
- 4 - مقصورات للحفاظ على الأطعمة المجمدة
- 5 - قدم أمامية قابلة للضببط

إذابة التجمد

يرجى إذابة التجمد من حجرة الفريزر مرتين في السنة على الأقل أو عندما تكون الطبقة الثلجية سميكة للغاية.

- إن تراكم الثلج ظاهرة عادية.
- تراكم الثلج، وخاصة في الجانب العلوي من الحجرة هو ظاهرة طبيعية ولا يؤثر على حسن أداء الجهاز.

- إذا تم التحميل الزائد للجهاز بأطعمة طازجة - إذا تم ترك الجهاز مفتوحاً عن طريق الخطأ. في هذه الحالات، سيبقى مصباح الـ led الأحمر مضاء حتى يصل الجهاز لدرجة الحرارة المحددة مسبقاً. إذا كان المصباح الأحمر في وضع الانتظار لمدة 24 ساعة قبل إخبار الخدمة المعتمدة.

مهم:

تم تصميم منتجك للتشغيل في درجة حرارة الغرفة بين 15- و43+ درجة مئوية.

يمكن أن تختلف درجات الحرارة التي يتم الحصول عليها في الداخل وفقاً لظروف استخدام الجهاز: الموقع، درجة الحرارة المحيطة، تكرار فتح الباب، درجة التحميل بالأطعمة. سيتم تعديل إعداد درجة الحرارة وفقاً لهذه الظروف. إذا كان المصباح الأحمر في وضع الانتظار لمدة 24 ساعة قبل إخبار الخدمة المعتمدة. قد يكون بسبب الأطعمة الدافئة التي تم وضعها في الثلجة و/أو الباب الذي ترك مفتوحاً.

خلال 24 ساعة من تشغيل إنذار درجة الحرارة المرتفعة (مصباح led أحمر) يجب أن يتم إيقاف تشغيله.

وظيفة التجميد السريع

لتفعيل وظيفة «FAST FREEZING (التجميد السريع)»، يُرجى ضبط مقبض إعداد درجة الحرارة على وضع «FAST FREEZE (التجميد السريع)». يُنصح بوضع المواد الغذائية التي ترغب في تجميدها بشكل أسرع في حجرة التجميد بعد 24 ساعة من تفعيل وظيفة التجميد السريع. أثناء تفعيل التجميد السريع، ستعمل الثلجة الخاصة بك على أقل درجة حرارة معدة للفريزر. تستمر وظيفة التجميد السريع لمدة 50 ساعة. بعد انتهائها، ستعود الثلجة الخاصة بك إلى ظروف الاستخدام العادي لدرجة الحرارة المعدة على 3 على الرغم من أن المقبض ما زال يعمل على وضع "التجميد السريع". توفر هذه الميزة ذات التصميم الاقتصادي الطاقة أثناء عدم إلغاء وظيفة التجميد السريع لأي سبب من الأسباب. تقاس قدرة التجميد الخاصة بثلجتك وتظهر أثناء تفعيل وظيفة التجميد السريع.

تخزين الأطعمة المجمدة

يتناسب الفريزر مع التخزين طويل المدى للأطعمة المخزنة بغرض التجارة كما يمكن استخدامه في تجميد وتخزين الأطعمة الطازجة. إذا حدث تعطل للطاقة لا تقم بفتح الباب. يجب ألا تتأثر الأغذية المجمدة إذا استمر العطل أقل من 16 ساعة.

- ننصح بإذابة التجمد عن الجهاز عندما تكون كمية الطعام المجمد غير كبيرة.
- قبل إذابة التجمد، اضبط زر ضبط الترموستات على الوضع الأقصى لتجميد الأطعمة تجميداً شديداً. خلال ذلك الوقت، لا يجب أن تكون درجة حرارة الثلاجة قليلة للغاية.

• افصل الجهاز

- استخرج الأطعمة المجمدة، وقم بتغليفها في عدة ورقات وضعها في مكان بارد.
- ابق الباب مفتوحاً لإذابة التجمد بسرعة وضعه داخل أو عية مملوءة بالماء الدافئ (بحد أقصى 80 درجة مئوية).
- لا يجب استخدام أدوات مدببة أو حادة مثل السكاكين أو الشوك لإزالة الثلج.

- يجب عدم استخدام مجفف الشعر أو السخانات الكهربائية أو أي أجهزة كهربائية أخرى لإذابة التجمد.
- عند الانتهاء من إذابة التجمد، أغلق الجزء المسؤول عن إذابة التجمد وجفف الداخل بالكامل.

(الشكل 7 و 8).

التنظيف والعناية

1. يوصى بإيقاف تشغيل الجهاز من مقبس منفذ الحائط وسحب مقبس التيار قبل التنظيف.
 2. لا تستخدم أبداً أي أدوات حادة أو مواد كاشطة، أو صابون أو منظفات منزلية أو منظفات حادة أو صمغ التلميع عند التنظيف.
 3. يستخدم الماء الفاتر لتنظيف تجويف الجهاز ثم يجفف.
 4. استخدم قطعة من القماش الملتوية والرطبة مع ملء ملعقة شاي من بيكربونات الصودا مضافة لجالون من الماء لتنظيف الداخل ثم يجفف.
 5. إذا كان الجهاز لن يستعمل لفترة طويلة من الزمن، أغلقه ثم أفرغ جميع الأطعمة ثم نظفه واترك الباب مفتوح جزئياً.
 6. يوصى بتلميع الأجزاء المعدنية من المنتج (مثل الباب الخارجي وجوانب التجويف) باستخدام صمغ السيلكون (ملمع السيارات) لحماية الطلاء ذو الجودة العالية.
 7. يجب إزالة أي أتربة متجمعة على المكثف الموجود في مؤخرة الجهاز مرة كل عام باستخدام المكنسة الكهربائية.
 8. قم بفحص موانع التسرب في الباب بانتظام للتأكد من سلامتهم وخلوهم من بقايا الطعام.
 9. لا تقم أبداً:
- بتنظيف الجهاز بمواد غير مناسبة، على سبيل المثال المنتجات البترولية.

- بتوصيله بدرجة حرارة عالية بأي حال من الأحوال.
- الجلي أو الحك وما إلى ذلك باستخدام مواد كاشطة.
- 10. يجب إزالة الرواسب الزائدة من الثلج بانتظام. سيضعف تراكم الثلج بكميات كبيرة من كفاءة أداء الفريزر.
- 11. لتنظيف درج الفريزر، اسحبه للخارج بعيداً بقدر الإمكان، وقم بإمالة لأعلى ثم اسحبه للخارج تماماً.

إعادة ضبط موضع الباب

اتبع الترتيب الرقمي (الشكل 9).

ما يجب عمله وما لا يجب عمله

- قم- بالتأكد من محتويات الفريزر على فترات منتظمة.
- قم- بتنظيف وإذابة التجمد من الجهاز بانتظام (انظر "إذابة التجمد").
- قم- بحفظ الطعام لأقصر وقت ممكن والتزم بتاريخ "يُفضل استهلاكه قبل" و"الاستخدام بحلول".
- قم- بتخزين الطعام المخزن بغرض التجارة وفقاً للإرشادات الموجودة على العبوة.
- قم- دوماً باختيار أطعمة طازجة والتأكد من نظافتها بالكامل قبل تجميدها.
- قم- بإعداد الطعام الطازج للتجميد في أجزاء صغيرة للتأكد من سرعة التجميد.
- قم- بلف الأطعمة المجمدة في الحال بعد شرائها ووضعها في الفريزر بأسرع وقت ممكن.
- قم- بفصل الأطعمة الموجودة في الحجرة وأكمل بطاقة المحتويات. سيمكنك ذلك من العثور على الطعام بسرعة وتجنب الإفراط في فتح الباب، مما يوفر الكهرباء.
- لا- تترك الباب مفتوح لفترات طويلة، حيث سيؤدي ذلك لجعل الجهاز أكثر بطأً في العمل ويؤدي لتكون المزيد من الثلج.
- لا- تستخدم أدوات حادة مثل السكاكين أو الشوك لإزالة الثلج.
- لا- تضع أطعمة ساخنة في الجهاز. اتركها لتبرد أولاً.
- لا- تضع زجاجات مملوءة بالسوائل أو العبوات محكمة الغلق التي تحتوي على سوائل مكرينة داخل الفريزر لاحتمال انفجارها.

- لا- تخزين أي مواد سامة أو خطيرة داخل الجهاز الخاص بك. فقد صمم هذا الجهاز لتخزين المواد القابلة للأكل فقط.
- لا- زيادة الحمولات المجمدة للحد الأقصى عند تجميد الأطعمة الطازجة.
- لا- استخدم الأيس كريم أو مكعبات ثلج مباشرة من الفريزر. قد تؤدي درجة الحرارة المنخفضة إلى "حروق" على الشفاه.
- لا- تجميد المشروبات الغازية.
- لا- محاولة الاحتفاظ بالأطعمة المجمدة التي سالت، حيث يجب تناولها في خلال 24 ساعة أو أن يتم طهيها وإعادة تجميدها.
- لا- إخراج أشياء من الفريزر بأيدي مبللة.
- لا- أغلق الباب قبل استبدال غطاء حجرة التجميد السريع.

استكشاف الأعطال وإصلاحها

- إذا لم يعمل الجهاز عند تشغيله قم بفحص؛
- أن القابس موصل بشكل صحيح في المقبس وأن مصدر الطاقة قيد التشغيل. (لفحص مصدر الطاقة الموصل بالمقبس، قم بتوصيله بجهاز آخر)
 - ما إذا كان المصهر قد تلف/ كان قاطع الدائرة الكهربائية يعوقه شيء / تم إيقاف تشغيل مفتاح التوزيع الرئيسي.
 - أنه قد تم وضع مفتاح درجة الحرارة بطريقة صحيحة.
 - في حالة تغيير القابس المنصهر المركب تأكد أن القابس الجديد تم توصيله بالسلك بطريقة صحيحة.
- إذا لم يعمل الجهاز بعد كل الفحوصات السابقة، يرجى الاتصال بالموارد الذي قمت بشراء الجهاز منه.
- يرجى التأكد من عمل جميع الفحوصات السابقة، حيث سيتم تحصيل المصاريف إذا لم نجد عيباً في الجهاز.

معلومات عن ضوضاء التشغيل

لتنشيط درجة الحرارة المختارة، يقوم جهازك أحياناً بتشغيل الضاغط.

تعتبر الضوضاء الناتجة عن هذا الأمر طبيعية تماماً. بمجرد أن يصل الجهاز إلى درجة حرارة التشغيل، يقل مستوى صوت الضوضاء تلقائياً. ينبعث ضجيج الطنين من المحرك (الضاغط).

- عند تشغيل المحرك، قد يزيد مستوى صوت الضوضاء لفترة قصيرة.
- يتم إصدار ضوضاء الفقاعات أو القرقرة أو الأزيز بواسطة المبرد أثناء تدفقه عبر الأنابيب.
- يمكن دائماً سماع صوت النقر عند تشغيل/إيقاف تشغيل الترموستات للمحرك.
- قد يحدث صوت نقر عندما**
- يتم تفعيل نظام إذابة التجمد التلقائي.
 - يبرد الجهاز أو يقوم بالتسخين (تمدد المادة).
- إذا كانت هذه الضوضاء عالية للغاية، فربما لا تكون الأسباب خطيرة وعادة ما يكون من السهل للغاية القضاء عليها.
- الجهاز غير مستو**
- استخدم قدم ضبط الارتفاع أو ضع العلية أسفل القدم.
- الجهاز غير قائم بذاته**
- يُرجى تحريك الجهاز بعيداً عن وحدات المطبخ أو الأجهزة الأخرى.
- الأرفف غير محكمة الربط أو ملتصقة**
- يُرجى التحقق من المكونات القابلة للانفصال وإعادة تهيئتها إذا تطلب الأمر.

تحذير!

لا تحاول في أي وقت إصلاح الجهاز أو مكوناته الكهربائية بنفسك. أي إصلاح يقوم به شخص غير ماهر يكون خطراً على المستخدم كما أنه يتسبب في انتهاء ضمان المنتج.



يشير الرمز الموجود على المنتج أو العبوة إلى أن هذا المنتج لا يمكن التعامل معه على أنه مخلفات منزلية. وبدلاً من ذلك يجب تسليمه إلى نقطة تجميع مخصصة لإعادة تدوير المعدات الكهربائية والإلكترونية. من خلال التحقق من أنه تم التخلص من هذا المنتج بشكل صحيح، سوف تساعد على منع الآثار السلبية المحتملة على البيئة وصحة الإنسان، والتي يمكن أن تسببها المعالجة غير الصحيحة لهذا المنتج. للحصول على مزيد من المعلومات حول إعادة تدوير هذا المنتج، يرجى الاتصال ببلدية المدينة المحلية، وخدمة التخلص من المخلفات المنزلية أو المحل الذي اشتريت منه هذا المنتج.

