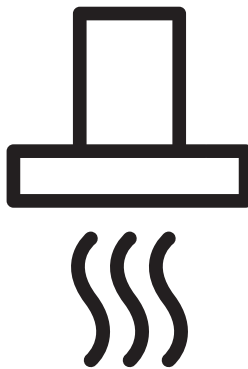




Cooker Hood

User Manual



CFB9433XF

EN - FR - AR



01M-8891723200-4922-16

CONTENTS

ENGLISH **3-13**

FRANÇAIS **14-26**

Please read this user manual first!






Dear Valued Customer,

Thank you for preferring this Beko appliance. We hope that you get the best results from your appliance which has been manufactured with high quality and state-of-the-art technology. For this reason, please read this entire user manual and all other accompanying documents carefully before using the appliance and keep it as a reference for future use. If you handover the appliance to someone else, give the user manual as well. Follow the instructions by paying attention to all the information and warnings in the user manual.

Remember that this user manual may also apply to other models. Differences between models are explicitly described in the manual.

Meanings of the Symbols

Following symbols are used in various sections of this user manual:

	Important information and useful hints about usage.
	WARNING: Warnings against dangerous situations concerning the security of life and property.
	WARNING: Warning for danger of fire.
	WARNING: Warning for electric shock.
	Protection class for electric shock.



1 Important safety and environmental instructions

1.1 General Safety

Important Safety Instructions Read Carefully And Keep For Future Reference This section contains safety instructions that will help protect from risk of fire, electric shock, exposure to leak microwave energy, personal injury or property damage. Failure to follow these instructions shall void any warranty.

- Beko products comply with the applicable safety standards; therefore, in case of any damage on the appliance or power cable, it should be repaired or replaced by the dealer, service center or a specialist and authorized service alike to avoid any danger. Faulty or unqualified repair work may be dangerous and cause risk to the user.
- This appliance is intended to be used in household and similar applications such as:
 - Staff kitchen areas in shops, offices and other working environments;
 - Farm houses
 - By clients in hotels, and other residential type environments;
 - Bed and Breakfast type environments.
- Operate the appliance for its intended purpose only as described in this manual.
- The manufacturer cannot be held liable for damages resulting from improper installation or misuse of the product.
- This appliance can be used by children aged from 8 years and above and persons with reduced physical, sensory or mental capabilities or lack of experience and knowledge if they have been given supervision or instruction concerning use of the appliance in a safe way and understand the hazards involved.
- Children shall not be allowed play with the appliance. Cleaning and user maintenance shall not be made by children without supervision.
- The minimum distance between the supporting surface for the

1 Important safety and environmental instructions

cooking vessels on the hob and the lowest part of your product must be at least 65 cm.

- If the instructions for installation for the gas hob specify a greater distance, this has to be taken into account.
- Make sure that your mains power supply complies with the information supplied on the rating plate of the appliance.
- Never use the appliance if the power cable or the appliance itself is damaged.
- Prevent damage to the power cable by not squeezing, bending, or rubbing it on sharp edges. Keep the power cable away from hot surfaces and naked flame.
- Use the appliance with a grounded outlet only.

WARNING: Do not connect the appliance to the mains until the installation is fully complete.

- Place the appliance in a way so that the plug is always accessible.
- Do not touch the lamps if they have operated for a long time.

They can burn your hands since they will be hot.

- Follow the regulations set out by competent authorities on discharge of the exhaust air (this warning is not applicable for use without flue).
- Operate your appliance after putting a pot, pan etc. on the hob. Otherwise, high heat may cause deformation in some parts of your product.
- Turn off the hob before taking the pot, pan etc. from it.
- Do not leave hot on the hob. Pans with hot may cause self combustion.
- Pay attention to your curtains and covers since may catch fire while cooking food such as fries.
- Grease filter must be cleaned at least monthly. Carbon filter must be replaced at least every 3 months.
- Product shall be cleaned accordance with user manual. If cleaning was not carried out in accordance with user manual, there may be fire risk.

1 Important safety and environmental instructions

- Do not use non-fire-resistant filtering materials instead of the current filter.
 - Only use the original parts or parts recommended by the manufacturer.
 - Do not operate the product without the filter and do not remove the filters while the product is running.
 - In the event of be started any flame, de-energize your product and cooking appliances.
 - In the event of be started any flame, cover the flame and never use water to extinguish.
 - Unplug the appliance before each cleaning and when the appliance is not in use.
 - The negative pressure in the environment should not exceed 4 Pa (4x10 bar) while the hood for electric hob and appliances running on another type of energy but electricity operate simultaneously.
 - In the environment where the appliance is being used, the exhaust of devices running on fuel or gas, such as room heater must be absolutely isolated or device must be hermetical type.
 - When connecting the flue, use pipes with a diameter of 120 or 150 mm. Pipe connection must be as short as possible and have as few elbows as possible.
 - Danger of choking! Keep all the packaging materials away from children.
- CAUTION:** Accessible parts may become hot when used with cooking appliances.
- The product outlet must not be connected to air channels that include other smoke.
 - The ventilation in the room may be insufficient when the hood for electric hob is used simultaneously with the devices operating on gas or other fuels (this may not apply to appliances that only discharge the air back into the room).
 - Objects placed on the product may fall. Do not place any objects on the product.
 - Do not flambe under the your product.

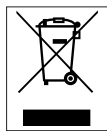
1 Important safety and environmental instructions

WARNING: Before installing the Hood, remove the protective films.

- Never leave high naked flames under the hood when it is in operation
- Deep fat fryers must be continuously monitored during use: overheated can burst into flames.

1.2 Compliance with the WEEE Directive and Disposing of the Waste Product:

This product complies with EU WEEE Directive (2012/19/EU). This product bears a classification symbol for waste electrical and electronic equipment (WEEE).



This symbol indicates that this product shall not be disposed with other household wastes at the end of its service life. Used device must be returned to official collection point for recycling of

electrical and electronic devices. To find these collection systems please contact to your local authorities or retailer where the product was purchased. Each household performs important role in recovering and recycling of old appliance. Appropriate disposal of used appliance helps prevent potential negative consequences for the environment and human health.

1.3 Compliance with RoHS Directive

The product you have purchased complies with EU RoHS Directive (2011/65/EU). It does not contain harmful and prohibited materials specified in the Directive.

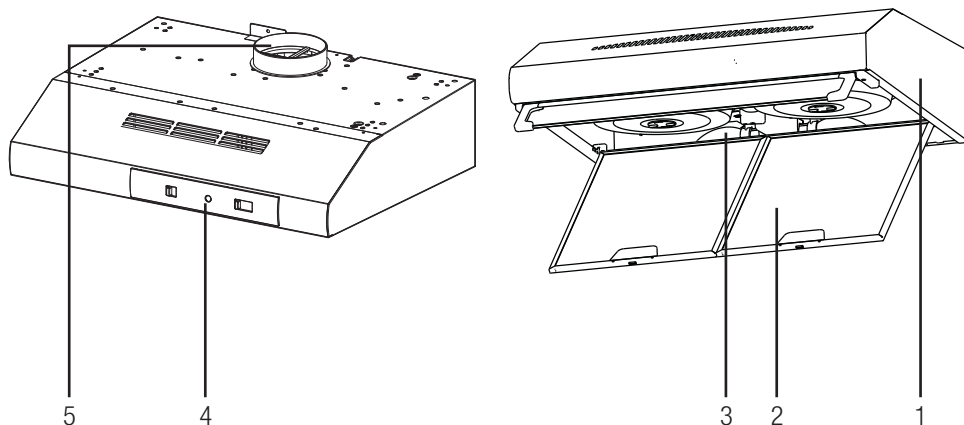
1.4 Package Information



Packaging materials of the product are manufactured from recyclable materials in accordance with our National Environment Regulations. Do not dispose of the packaging materials together with the domestic or other wastes. Take them to the packaging material collection points designated by the local authorities.

2 General appearance

2.1 Overview



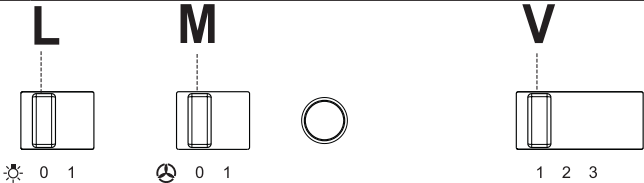
1. Body
2. Grease filter
3. Lighting
4. Control panel
5. Chimney

2.2 Technical data

Model	CFB 9433 XF
Supply voltage & frequency	220-240V ~ 50 Hz
Lamp power	2x28 W
Motor power	2x125 W
Air flow – 3. Level	365 m ³ /h
Insulation class	Class II

3 Using the appliance

3.1 Controls panel

	
L : Light on/off	Switches the lighting system on and off.
M : Motor on/off	Switches the extractor motor on and off
V : Speed button	Sets the operating speed of the extractor: 1. Low speed, used for a continuous and silent air change in the presence of light cooking vapour. 2. Medium speed, suitable for most operating conditions given the optimum treated air flow/ noise level ratio. 3. Maximum speed, used for eliminating the highest cooking vapour emission, including long periods.


- The extractor hood has been designed exclusively for domestic use to eliminate kitchen smells.
- Never use the hood for purposes other than for which it has been designed.
- Never leave high naked flames under the hood when it is in operation.
- Adjust the flame intensity to direct it onto the bottom of the pan only, making sure that it does not engulf the sides.
- Deep fat fryers must be continuously monitored during use: overheated can burst into flames.

3.2 Efficient use in terms of energy saving

- When using your appliance, adjust the speed settings according to vapour and odour intensity, in order to save energy.
- Use low speeds (1-2) under normal conditions, and high speed (3) and boost mode for intense odour and vapour.
- The hood is equipped with lamps in order to illuminate the cooking area.
- Using them for environmental lighting shall cause unnecessary energy expenditure and insufficient lighting.
- For your device to consume less energy, run it at a low speed level.
- Your device will reduce energy consumption as it will run more efficiently when you provide sufficient air intake to it.
- Set your device to the intense suction power level before the formation of steam, in cases where you know that the dense steam will occur. So, you reduce energy consumption by using your device for a shorter time as it will have a sufficient air intake.
- Keep the lids of the cookware closed to reduce the steam evolving.

3 Using the appliance

3.3 Operating the Hood

- Hood is equipped with a motor having various speed settings.
- For a better performance, we advise you to use low speeds in normal conditions, and high speeds when smell and vapors are intensified.
- You can start the hood by pressing the desired speed level key.(V1,V2,V3)
- You can illuminate the cooking area by pressing the light key L ()

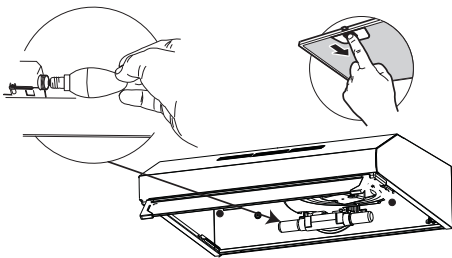
3.4 Lamp replacement




- Before replacing the light bulbs, disconnect the power supply of the hood.
- Do not touch the light bulbs when they are hot.
- Be careful not to touch the replaced light bulb directly with hands.



You may procure lamps from Authorised Service Agents.

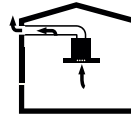


Lamp	
Power	28 W
Socket	E14
Voltage	220 – 240 V
Dimension	104x35 mm

ILCOS Code	HSGSB/C/UB-28-220/240-E14
Luminous flux	320 lm

This product contains a light source of energy efficiency class “F”.

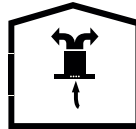
3.5 Operation with flue connection



Vapour is extracted through the flue duct, which is fastened to the connection head on the hood.

- The diameter of the flue duct must be the same as the connection ring. In horizontal settings, the pipe has to have a slight upward slope (around 10°) so that the air can exit the room easily.

3.6 Operation without flue connection



Air is filtered through the carbon filter and recirculated in the room. Carbon filter is used when it is impossible to use a flue in the house.

- In flueless use, remove the flaps inside the flue adapter.
- Remove the oil filter. To install the carbon filter, fit the filter to the tabs by centring it on the plastic piece on both sides of the fan body. Tighten it by turning right or left.
- Replace aluminium oil filter.

4 Cleaning and maintenance

The device should be cleaned and maintained regularly. Failure to keep the device clean will adversely affect the service life of the device. For cleaning and maintenance, follow the instructions stated in the manual.



Before cleaning and maintenance, unplug the product or turn off the switch.

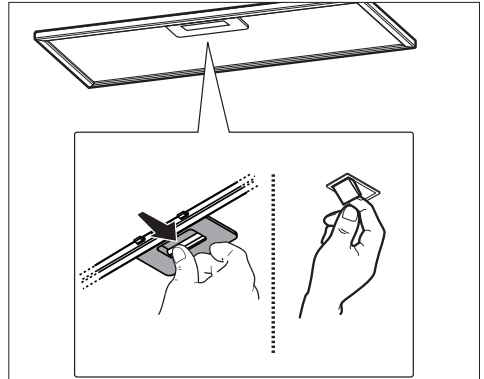


Non-compliance with the provisions associated with the cleaning of the device and replacement of the filters may result in a risk of fire. Therefore, it is recommended to follow the guidelines stated here. The manufacturer is not responsible for the engine damages or fires originating from the improper use.

Clean using only a cloth dampened with neutral liquid detergent. Do not clean with tools or instruments. Do not use abrasive products. Do not use alcohol

4.1 Cleaning of grease filter

This filter captures particles in the air. You are recommended to clean your filter every month under normal usage conditions. First remove the grease filters for this process. Wash the filters with liquid detergent and rinse them with water and install them back after they get dry. Grease filters may get discolored as they are washed; this is normal and you don't need to change your filter.

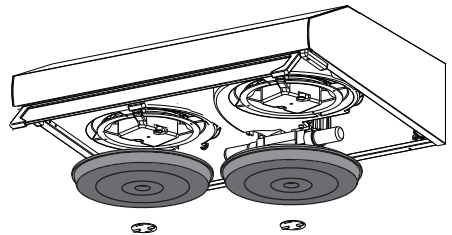


You can wash the grease filter in the dishwasher

4.2 Changing of carbon filter (Air circulation mode)

The hood can be fitted with an active carbon filter. The carbon filter is applied only in case the hood is not connected to the vent duct.

In any case it is necessary to replace the carbon filter at least every three months.



WARNING:

- The carbon filter is never washed.
- Carbon filter is available from Authorized Services.

5 Setting up the device



WARNING: Before starting the installation, read the safety information on user manual.



WARNING: Failure to install with screws and stabilizers in accordance with these instructions may result in electric shock.

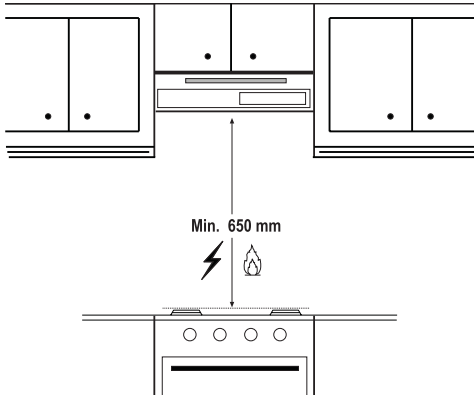


Please refer to page 27 for the installation guide.

For the installation of the hood, please contact the nearest Authorized Service.

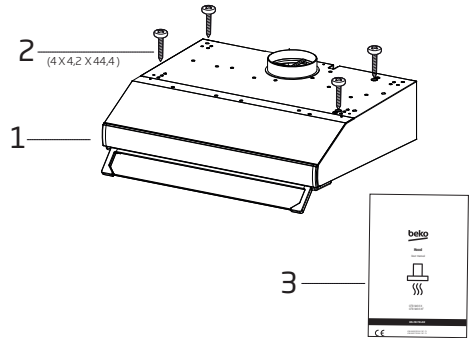
It is the customer's responsibility to prepare the location and electrical installation of the hood.

5.1 Position of the appliance



- Distance between the cooker and the cooker hood must be considered prior to assembly. This distance should be 65 cm.
- Distance must be measured from the surface of grate for gas cookers, from surface of glass for electric cookers.

5.2 Installation accessories



1. Hood
2. 4x4,2x44,4 Screws
3. User Manual



WARNING: Failure to install the screws or fixing device in accordance with these instructions may result in electrical hazards.

5.3 Storage

- If you do not intend to use the appliance for a long time, please store it carefully.
- Please make sure that the appliance is unplugged, cooled down and totally dry.
- Store the appliance in a cool and dry place.
- Keep the appliance out of the reach of children

5.4 Handling and transportation

- During handling and transportation, carry the appliance in its original packaging. The packaging of the appliance protects it against physical damages.
- Do not place heavy loads on the appliance or the packaging. The appliance may be damaged.
- Dropping the appliance will render it non-operational or cause permanent damage.

6 Troubleshooting

Troubleshooting	Reason	Help
The product does not work.	Check your fuse.	Your fuse might be closed, make it work.
The product does not work.	Check the electrical connection.	The mains voltage should be between 220-240 V.
The product does not work.	Check the electrical connection.	Check if the other products in your kitchen are working or not.
The lighting lamp does not work.	Check the electrical connection.	The mains voltage should be between 220-240 V.
The lighting lamp does not work.	Check the lamp switch.	The lamp switch should be in the "on" position.
The lighting lamp does not work.	Check the lamps.	The lamps of the product should not be faulty.
The air intake of the product is poor.	Check the aluminum filter.	The aluminum filter should be cleaned at least once a month under normal conditions.
The air intake of the product is poor.	Check the air vent flue.	The air vent flue should be in the "on" position.
The air intake of the product is poor.	Check the carbon filter.	For products with carbon filters, the filter should normally be changed every 3 months.

Avant toute chose, veuillez lire ce manuel d'utilisation !

Chère cliente, cher client,

Merci d'avoir choisi cet appareil Beko. Nous espérons que cet appareil, fabriqué dans des installations modernes et soumis à un processus de contrôle qualité rigoureux, vous offre les meilleures performances possible. C'est pourquoi nous vous recommandons, avant d'utiliser l'appareil, de lire attentivement et complètement ce manuel d'utilisation ainsi que tous les autres documents fournis et de les conserver soigneusement pour une utilisation future. Si vous cédez l'appareil à quelqu'un d'autre, remettez-lui également le manuel d'utilisation. Suivez les instructions en accordant une attention particulière à toutes les informations et les avertissements contenus dans le manuel d'utilisation.

Notez que ce manuel d'utilisation peut également s'appliquer à d'autres modèles. Les différences entre les modèles sont clairement décrites dans le manuel.

Signification des symboles

Les pictogrammes suivants sont repris tout au long de ce manuel :

	Informations importantes et conseils utiles concernant l'utilisation de l'appareil.
--	---

	AVERTISSEMENT: Avertissement sur les situations dangereuses concernant la sécurité des biens et des personnes.
--	---

	AVERTISSEMENT: Avertissement contre le risque d'incendie.
---	--

	AVERTISSEMENT: Avertissement contre le risque d'électrocution.
--	---

	Classe de protection contre les chocs électriques.
---	--



Points de collecte sur www.quefairedesdechets.fr
Privilégiez la réparation ou le don de votre appareil !



1 Instructions importantes en matière de sécurité et d'environnement

1.1 Consignes générales de sécurité

Consignes de sécurité importantes - Lire attentivement et conserver pour référence ultérieure. Cette section contient les consignes de sécurité qui aident à se prémunir contre les risques d'incendie, d'électrocution, d'exposition aux fuites d'énergie à micro-ondes, de dommages corporels ou de dégâts matériels. Le non-respect de ces instructions entraînera l'annulation de toute garantie.

- Les produits Beko sont conformes aux normes de sécurité applicables. Par conséquent, en cas de dommage sur l'appareil ou son câble d'alimentation, le faire réparer ou remplacer par le revendeur, le centre SAV, un spécialiste ou des services habilités afin de prévenir tout danger. Des réparations défectueuses et non professionnelles peuvent être sources de danger et de risque pour l'utilisateur.
- Cet appareil est conçu pour un usage domestique et des utilisations similaires comme :
 - dans les coins cuisine du personnel dans les magasins, bureaux, et autres environnements de travail ;
 - les fermes
 - Par les clients des hôtels et autres types d'environnements résidentiels ;
 - et dans les chambres d'hôte.
- Utiliser l'appareil uniquement aux fins pour lesquelles il a été conçu, comme décrit dans les présentes instructions.
- Le fabricant n'est pas responsable des dommages résultant d'une mauvaise installation ou d'une mauvaise utilisation du produit.
- Cet appareil peut être utilisé par des enfants de 8 ans minimum, des personnes à capacités physiques, sensorielles ou mentales réduites et des personnes manquant d'expérience ou de connaissances suffisantes en

1 Instructions importantes en matière de sécurité et d'environnement

la matière, à condition qu'elles aient été préparées à un maniement sécurisé de l'appareil et qu'elles aient pleinement conscience des risques encourus.

- Les enfants n'ont pas le droit de jouer avec l'appareil. Le nettoyage et l'entretien de l'appareil ne doivent pas être effectués par des enfants laissés sans surveillance.
- La distance minimale entre la surface d'appui des récipients de cuisson sur la plaque de cuisson et la partie la plus basse de votre produit doit être d'au moins 65 cm.
- Si des instructions relatives à l'installation de la plaque à gaz exigent plus de distance, prenez-les en compte.
- S'assurer que la source d'alimentation électrique est conforme aux informations spécifiées sur la plaque signalétique de l'appareil.
- Ne jamais utiliser l'appareil si le câble d'alimentation ou l'appareil lui-même est endommagé.

- Pour éviter d'endommager le câble d'alimentation, éviter de l'aplatir, de le plier ou même de le frotter contre des bords coupants. Éloigner le câble d'alimentation de toute surface brûlante et des flammes.
- Utilisez l'appareil uniquement avec une prise de terre.

AVERTISSEMENT: Ne branchez pas l'appareil sur le secteur avant la fin de l'installation.

- Placer l'appareil de sorte que la prise soit toujours accessible.
- Ne touchez pas les lampes si elles ont été utilisées pendant une longue période. Elles sont chaudes et risqueraient donc de provoquer des brûlures aux mains.
- Respectez la réglementation des autorités compétentes en matière d'évacuation de l'air évacué (cette mise en garde ne s'applique pas à l'utilisation sans conduit).
- Faites fonctionner votre appareil après avoir posé une casserole, une poêle, etc. sur la pla-

1 Instructions importantes en matière de sécurité et d'environnement

que de cuisson. Autrement, la température élevée peut provoquer la déformation de certaines pièces de votre produit.

- Éteignez la plaque de cuisson avant d'en retirer la casserole, la poêle, etc.
- Ne laissez pas d'huile chaude sur la plaque de cuisson. Les casseroles contenant de l'huile chaude peuvent s'enflammer.
- Faites attention à vos rideaux et à vos couvertures, car l'huile peut prendre feu pendant la cuisson de certains aliments, comme les frites.
- Le filtre à graisse doit être remplacé au moins une fois par mois. Le filtre à charbon doit être remplacé au moins tous les 3 mois.
- Le produit doit être nettoyé conformément au manuel d'utilisation. Si le nettoyage n'a pas été effectué conformément au manuel d'utilisation, il peut y avoir un risque d'incendie.
- N'utilisez pas de matériaux filtrants ignifuges à la place des filtres actuels.
- Utilisez uniquement des pièces d'origine ou pièces recommandées par le fabricant.
- N'utilisez jamais l'appareil sans le filtre et ne retirez pas les filtres lorsque l'appareil est en marche.
- En cas d'apparition d'une flamme, éteignez votre produit et vos appareils de cuisson.
- En cas d'apparition d'une flamme, couvrez la flamme et n'utilisez jamais d'eau pour l'éteindre.
- Débranchez l'appareil avant chaque nettoyage et lorsque l'appareil n'est pas en cours d'utilisation.
- La pression négative dans l'environnement ne doit pas dépasser 4 Pa (4 x 10 bars) lorsque la hotte de la table de cuisson électrique et les appareils fonctionnant avec un autre type d'énergie que l'électricité fonctionnent simultanément.
- Dans l'environnement dans lequel l'appareil est utilisé, les gaz résiduels des appareils

1 Instructions importantes en matière de sécurité et d'environnement

fonctionnant au fioul ou au gaz, tels que le chauffage de la pièce, doivent être totalement isolés ou l'appareil doit être de type étanche.

- Pour le raccordement du conduit, utilisez des tuyaux d'un diamètre de 120 ou 150 mm. Le raccordement du tuyau doit être aussi court que possible et avoir le minimum de coudes que possible.
- Risque d'étranglement ! Conservez tous les emballages hors de portée des enfants.

ATTENTION: Les pièces accessibles peuvent devenir chaudes lorsqu'elles sont utilisées avec des appareils de cuisson.

- Ne connectez pas la prise du produit aux canaux d'air qui contiennent d'autres fumées.
- La ventilation de la pièce peut être insuffisante lorsque la hotte de la table de cuisson électrique est utilisée en même temps que les appareils fonctionnant au gaz ou avec d'autres combustibles (ceci peut ne pas s'appliquer aux appareils qui rejettent unique-

ment l'air dans la pièce).

- Les objets placés sur le produit peuvent tomber. Ne posez aucun objet sur le produit.

- Ne brûlez rien sous votre produit.

AVERTISSEMENT: Retirez les films protecteurs avant d'installer la hotte.

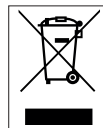
- Ne laissez jamais des grandes flammes nues sous la hotte lorsqu'elle est en fonctionnement.

- Gardez les friteuses en permanence sous surveillance pendant l'utilisation : de l'huile surchauffée peut prendre feu.

- Les pièces détachées d'origine sont disponibles pendant 12 ans, à compter de la date d'achat du produit.

1.2 Conformité avec la Directive DEEE et Mise au rebut des appareils usagés :

Cet appareil est conforme à la directive DEEE. (2012/19/UE). Cet appareil porte le symbole de classification pour les déchets des équipements électriques et électroniques (DEEE).



Ce symbole indique que ce produit ne doit pas être jeté avec les déchets ménagers à la fin de sa vie utile. Les appareils usagés doivent être retournés au point de collecte officiel

1 Instructions importantes en matière de sécurité et d'environnement

pour le recyclage des appareils électriques et électroniques. Pour trouver ces systèmes de collecte, veuillez contacter les autorités locales ou le détaillant auprès duquel vous avez acheté le produit. Chaque ménage joue un rôle important dans la récupération et le recyclage des appareils ménagers usagés. L'élimination appropriée des appareils usagés aide à prévenir les conséquences négatives potentielles pour l'environnement et la santé humaine.

1.3 Conformité avec la directive RoHS

L'appareil que vous avez acheté est conforme à la Directive RoHS de l'UE (2011/65/UE). Il ne contient pas de matières dangereuses et interdites spécifiées dans la directive.

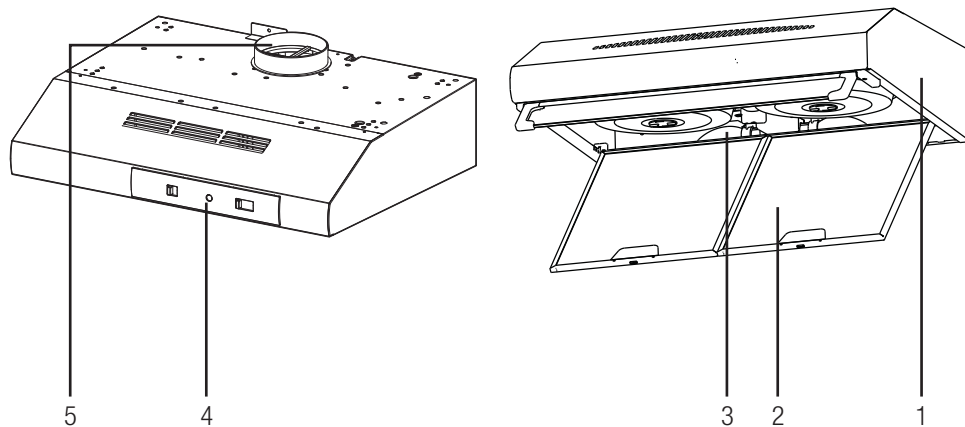
1.4 Informations concernant l'emballage



Les matériaux d'emballage du produit sont fabriqués à partir de matériaux recyclables conformément à notre réglementation nationale sur la protection de l'environnement. Ne jetez pas les matériaux d'emballage avec les déchets domestiques et autres déchets. Déposez-les dans l'un des points de collecte de matériaux d'emballage prévus par l'autorité locale.

2 Aspect général

2.1 Aperçu général



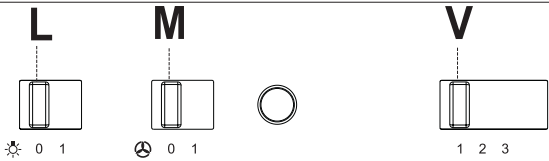
1. Corps principal
2. Filtre à graisse
3. Panneau de
4. Contrôle de l'éclairage
5. Cheminée

2.2 Données techniques

Modèle	CFB 9433 XF
Tension d'alimentation	220-240V ~ 50 Hz
Puissance des lampes	2x28 W
Puissance du moteur	2x125 W
Débit d'air - 3 Niveau	365 m³/h
Classe d'isolation	Classe II

3 Utilisation de l'appareil

3.1 Panneau de commande

	
L: Lumières	Allume et éteint l'éclairage.
M: Moteur	Allume et éteint le moteur aspiration
V: Vitesses	Détermine les vitesses d'exploitation ainsi subdivisées: 1. Vitesse minimale, pour un rechange d'air permanent particulièrement silencieux en cas de faibles vapeurs de cuisson. 2. Vitesse moyenne pour la plupart des conditions d'utilisation, étant donné le rapport optimal entre débit d'air traité et niveau sonore. 3. Vitesse maximum, pour faire face aux émissions maximum de vapeur de cuisson, même pendant des temps prolongés .

- La hotte aspirante a été conçue exclusivement pour un usage domestique afin d'éliminer les odeurs de cuisine.
- N'utilisez jamais la cagoule à d'autres fins que celles pour lesquelles elle a été conçue.
- Ne laissez jamais de grandes flammes nues sous le capot lorsqu'il est en fonctionnement.
- Réglez l'intensité de la flamme pour la diriger uniquement sur le fond de la casserole, en veillant à ce qu'elle n'engloutisse pas les parois.
- Les friteuses doivent être surveillées en permanence pendant leur utilisation : une huile surchauffée peut s'enflammer.


3.2 Fonctionnement efficace en termes d'économies d'énergie Utilisation

- Lorsque vous utilisez votre appareil, réglez la vitesse en fonction de l'intensité de la vapeur et de l'odeur afin d'économiser de l'énergie.
- Utilisez les vitesses basses (1-2) dans des conditions normales, et les vitesses élevées (3) pour les odeurs et vapeurs intenses.
- Les lampes situées sur la hotte sont destinées à l'éclairage de la zone de cuisson.
- L'utilisation de ces lampes pour l'éclairage de la pièce entraîne une consommation d'énergie inutile et un éclairage insuffisant.
- Pour que votre appareil consomme moins d'énergie, faites-le fonctionner à basse vitesse.
- Votre appareil réduit la consommation d'énergie et fonctionne plus efficacement lorsque vous l'alimentez suffisamment en air.
- Configurez votre appareil pour un niveau de puissance d'aspiration intense avant la formation de la vapeur, dans le cas où vous prévoyez la production d'une vapeur dense. Vous réduisez donc la consommation d'énergie de votre appareil en l'utilisant pendant une durée plus courte, puisqu'il est suffisamment alimenté en air.

3 Utilisation de l'appareil

- Configurez votre appareil pour un niveau de puissance d'aspiration intense avant la formation de la vapeur, dans le cas où vous prévoyez la production d'une vapeur dense. Vous réduisez donc la consommation d'énergie de votre appareil en l'utilisant pendant une durée plus courte, puisqu'il est suffisamment alimenté en air.

3.3 Instructions d'utilisation

- Votre appareil contient un moteur qui a des vitesses différentes.
- Pour de meilleures performances, nous recommandons d'utiliser des vitesses basses dans des conditions normales et des vitesses élevées en cas fortes odeurs et de vapeur intense.
- Vous pouvez démarrer votre appareil en appuyant sur le bouton de réglage de la vitesse souhaitée. (V1, V2, V3)
- Vous pouvez éclairer la zone de cuisson en appuyant sur la lampe L ().

3.2 Remplacement des lampes



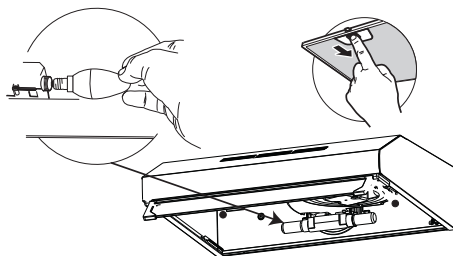
- Avant de remplacer les ampoules, débranchez l'alimentation électrique de la hotte.
- Ne touchez pas les ampoules lorsqu'elles sont chaudes.

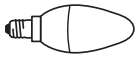


Faites attention à ne pas toucher l'ampoule remplacée directement avec les mains.



Vous pouvez vous procurer des lampes auprès d'agents de service agréés.



Ampoule	
Absorption	28 W
Culot	E14
Voltage	220 – 240 V
Dimensions	104x35 mm
Code ILCOS	H S G S B / C / U B - 2 8 - 220/240-E14
Flux lumineux	320 lm

Ce produit contient une source lumineuse de classe d'efficacité énergétique "F".

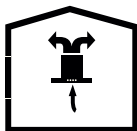
3.5 Opération avec raccordement au conduit de fumée

-  La vapeur est extraite par le conduit de fumée, qui est fixé à la tête de raccordement sur la hotte.
- Le diamètre du conduit de fumées doit être le même que celui de la bague de raccordement. En position horizontale, le tuyau doit avoir une légère pente ascendante (environ 10°) afin que l'air puisse sortir facilement de la pièce.

3 Utilisation de l'appareil

3.6 Fonctionnement sans raccordement au réseau d'évacuation des fumées

•



L'air est filtré par le filtre à charbon et recirculé dans la pièce. Le filtre à charbon est utilisé lorsqu'il est impossible d'utiliser un conduit de fumée dans la

maison.

- En cas d'utilisation sans conduit, retirez les rabats à l'intérieur de l'adaptateur de conduit.
- Retirez le filtre à huile. Pour installer le filtre à charbon, fixez le filtre sur les languettes en le centrant sur la pièce en plastique des deux côtés du corps du ventilateur. Resserrez-le en tournant à droite ou à gauche.
- Remplacez le filtre à huile en aluminium.

4 Nettoyage et entretien

Cet appareil doit être régulièrement nettoyé et entretenu. S'il n'est pas nettoyé, sa durée de vie utile peut être compromise. Pour le nettoyage et l'entretien, suivez les instructions contenues dans le manuel.



Avant de procéder au nettoyage et à l'entretien, débranchez le produit ou éteignez l'interrupteur.

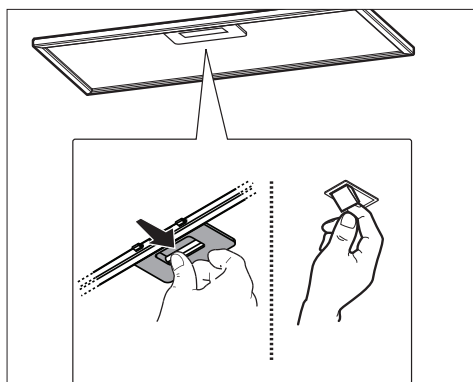


Le non-respect des consignes de nettoyage de cet appareil et de remplacement de ses filtres vous expose à un risque d'incendie. Il est donc recommandé de respecter les consignes de ce manuel. Le fabricant décline toute responsabilité en cas de dommages au moteur ou d'incendie résultant d'une utilisation inappropriée de l'appareil.

Nettoyer en utilisant uniquement un chiffon humidifié avec un détergent liquide neutre. Ne nettoyez pas avec des outils ou des instruments. N'utilisez pas de produits abrasifs. N'utilisez pas d'alcool

4.1 Nettoyage du filtre à graisse

Ce filtre capte les particules d'huile présentes dans l'air. Il vous est recommandé de nettoyer votre filtre tous les mois dans des conditions normales d'utilisation. Pour ce faire, il faut d'abord retirer les filtres à graisse. Lavez les filtres avec un détergent liquide et rincez-les à l'eau, puis remettez-les en place une fois qu'ils sont secs. Les filtres à graisse peuvent se décolorer au lavage ; c'est normal et vous n'avez pas besoin de changer votre filtre.

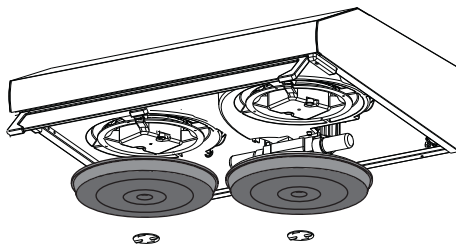


Vous pouvez laver le filtre dans le lave-vaisselle

4.2 Remplacement du filtre à carbone (mode de circulation de l'air)

La hotte peut être équipée d'un filtre à charbon actif. Le filtre à charbon est appliqué uniquement dans le cas où la hotte n'est pas reliée au conduit de ventilation.

Dans tous les cas, il est nécessaire de remplacer le filtre à charbon au moins tous les trois mois.



AVERTISSEMENT:

- Le filtre à charbon n'est jamais lavé.
- Le filtre à charbon est disponible auprès des services autorisés.

5 Mise en place de l'appareil



AVERTISSEMENT: Veuillez lire les instructions de sécurité avant de vous installer.

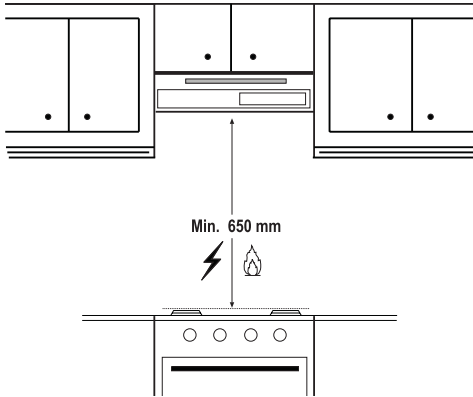


ATTENTION: Si l'installation n'est pas effectuée avec des vis et des stabilisateurs conformément à ces instructions, cela peut entraîner un choc électrique.



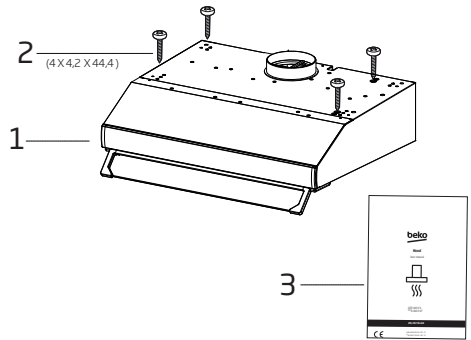
REMARQUE: Veuillez vous référer à la page 27 pour le guide d'installation

5.1 Position de l'appareil



- La distance entre le cuiseur et la hotte doit être prise en compte avant le montage. Cette distance doit être de 65 cm.
- La distance doit être mesurée à partir de la surface de la grille pour les cuisinières à gaz, à partir de la surface du verre pour les cuisinières électriques.

5.2 Installations des accessoires



1. Hotte
2. 4x4,2x44,4 vis
3. Manuel d'utilisation



AVERTISSEMENT: Le fait de ne pas installer les vis ou le dispositif de fixation conformément aux présentes instructions peut entraîner des risques électriques.

5.3 Stockage

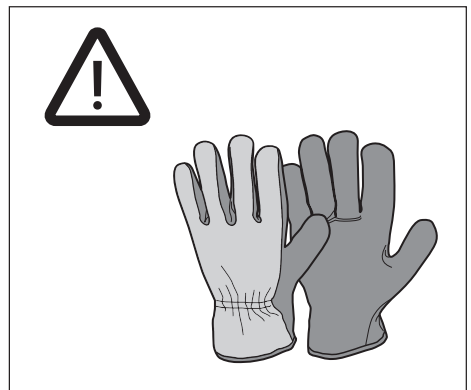
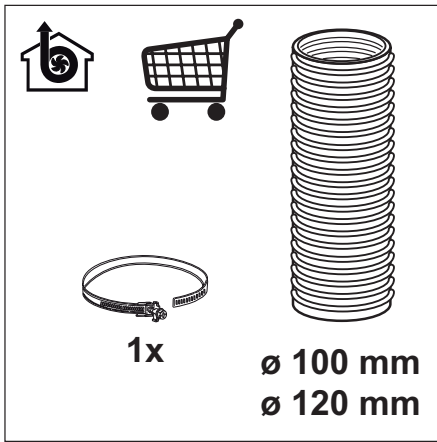
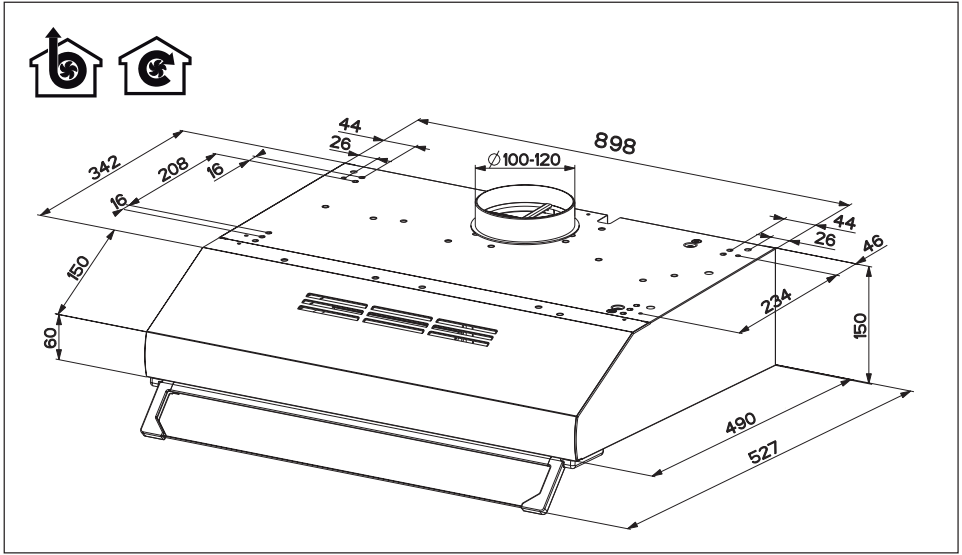
- Si vous n'avez pas l'intention d'utiliser l'appareil pendant une longue période, conservez-le soigneusement.
- Veuillez également à ce que l'appareil soit débranché, refroidi et entièrement sec.
- Conservez l'appareil dans un endroit frais et sec.
- Tenez l'appareil hors de portée des enfants.

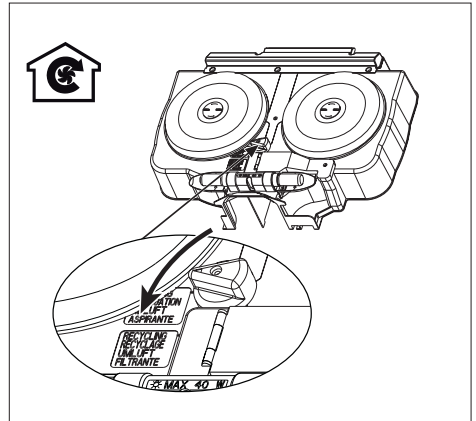
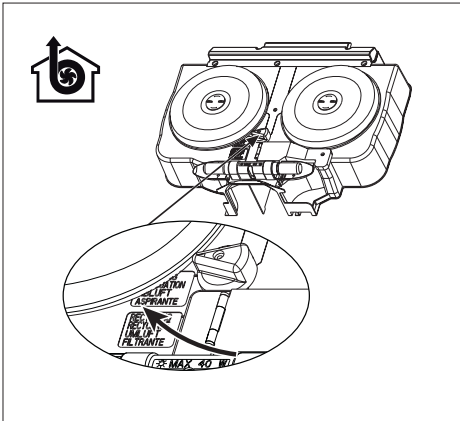
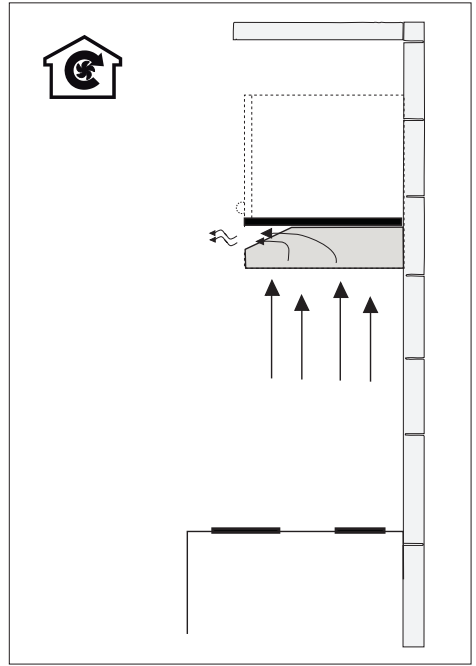
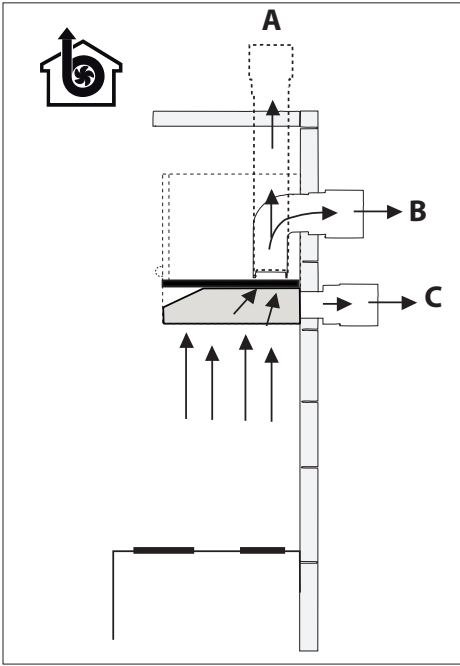
5.4 Manipulation et transport

- Lors de la manipulation et du transport, transportez l'appareil dans son emballage d'origine.
- L'emballage de l'appareil le protège des dommages physiques.
- Ne placez pas de charges lourdes sur l'appareil ou sur l'emballage. L'appareil peut être endommagé.

6 Dépannage

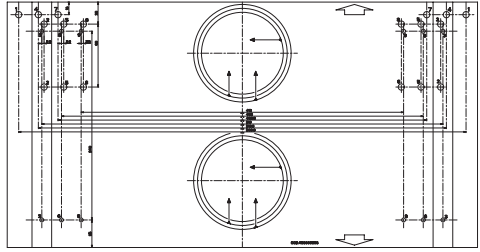
Dépannage	Problème	Solution
L'appareil ne fonctionne pas.	Vérifiez le fusible.	Il se peut que votre fusible soit coupé ; remettez-le en marche.
L'appareil ne fonctionne pas.	Vérifiez le branchement.	La tension du secteur doit être comprise entre 220 et 240 V.
L'appareil ne fonctionne pas.	Vérifiez le branchement.	Vérifiez si les autres appareils de votre cuisine fonctionnent ou pas.
L'ampoule ne fonctionne pas.	Vérifiez le branchement.	La tension du secteur doit être comprise entre 220 et 240 V.
L'ampoule ne fonctionne pas.	Vérifiez l'interrupteur de l'ampoule.	L'interrupteur de l'ampoule doit être en position « Allumé ».
L'ampoule ne fonctionne pas.	Vérifiez les ampoules.	Les ampoules de l'appareil ne doivent pas être défectueuses.
L'appareil n'aspire pas l'air correctement.	Vérifiez le filtre en aluminium.	L'aluminium du filtre doit être nettoyé au moins une fois par mois en conditions d'utilisation normales.
L'appareil n'aspire pas l'air correctement.	Vérifiez l'évent d'aération.	L'évent d'aération doit être en position « Marche ».
L'appareil n'aspire pas l'air correctement.	Vérifiez le filtre à charbon.	Pour les appareils dotés d'un filtre à charbon, celui-ci doit normalement être remplacé tous les 3 mois.



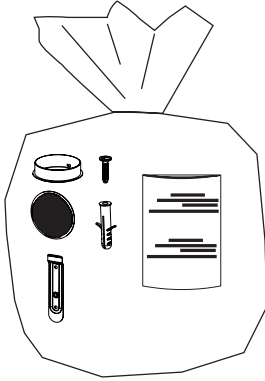




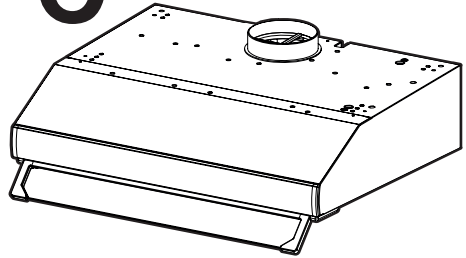
B



A



C



A1



4X



1X



1X

A2



4X



4X



1X



1X



2X

A3



2X



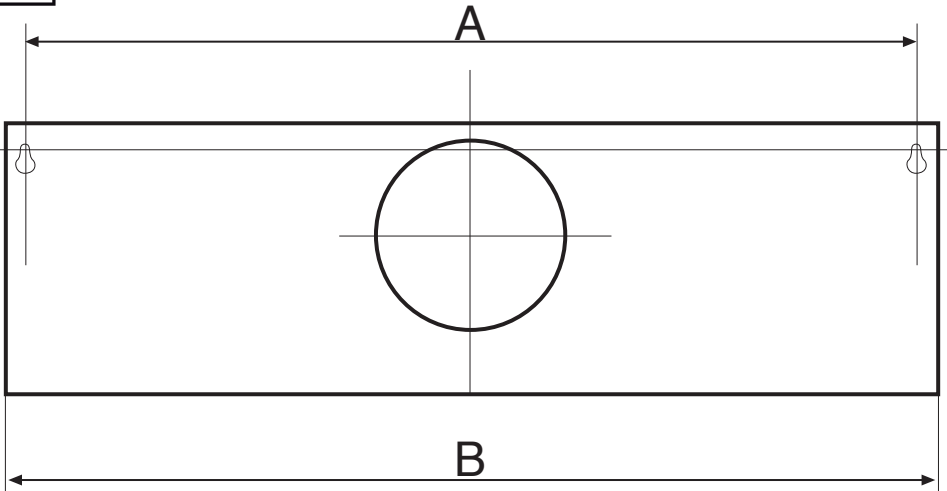
2X



1X



1X



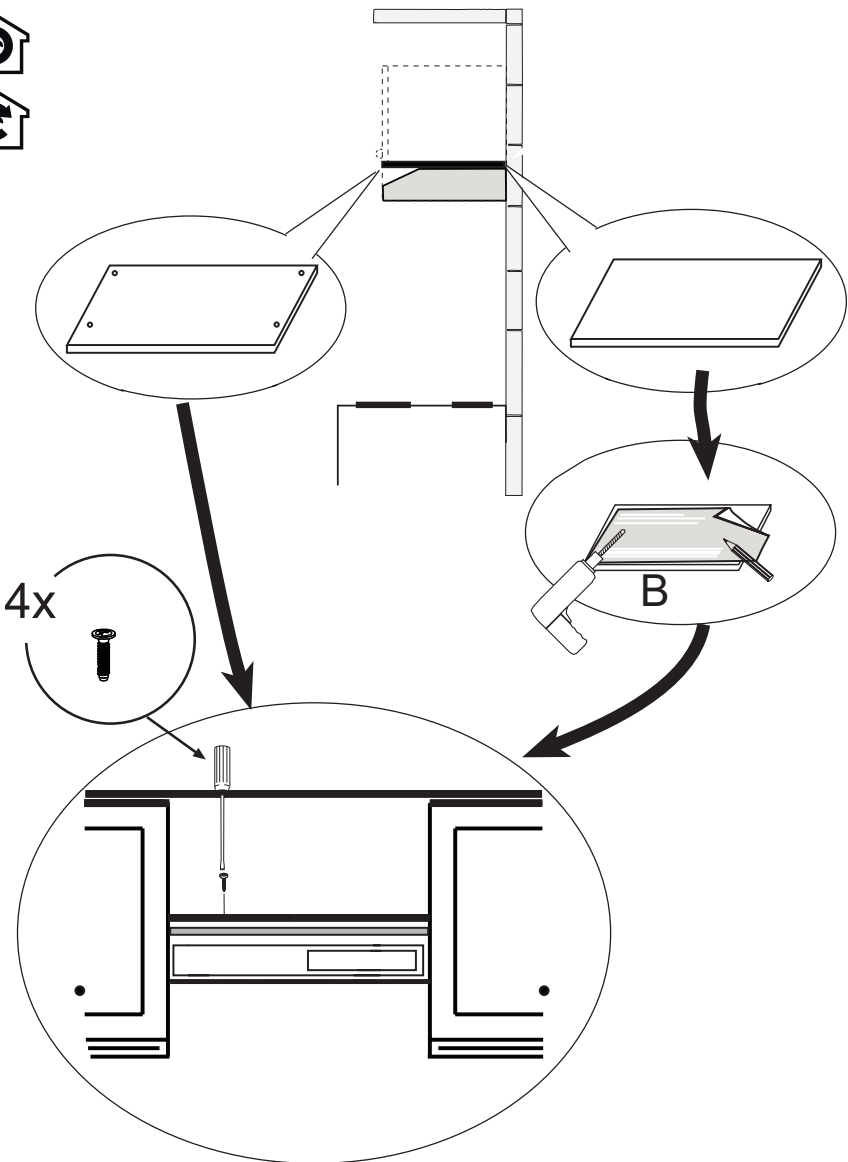
B mm	500	550	600	700	760	800	900	1000	1200
A mm	468	518	568	668	728	768	868	968	1168

A1

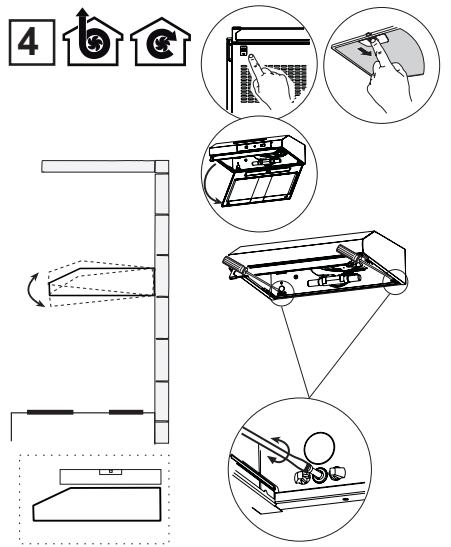
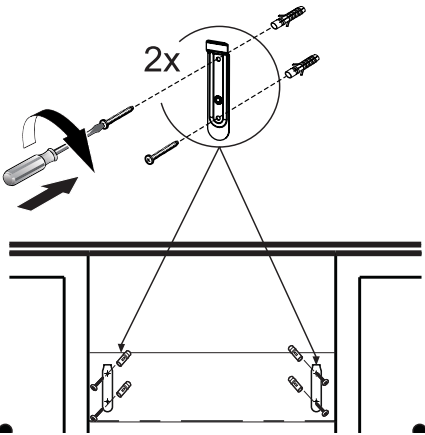
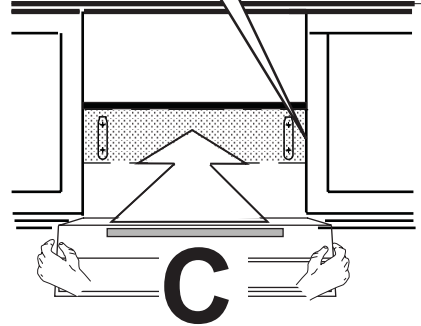
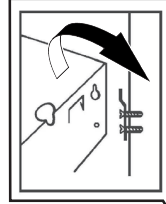
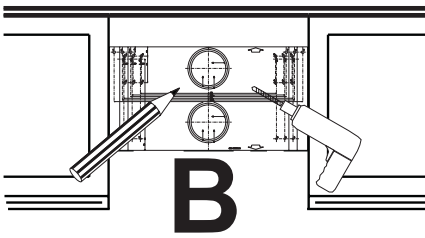
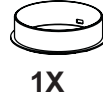
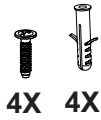
4X

1X

1X



A2



A3



2X



2X

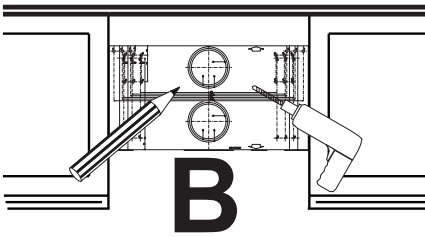


1X

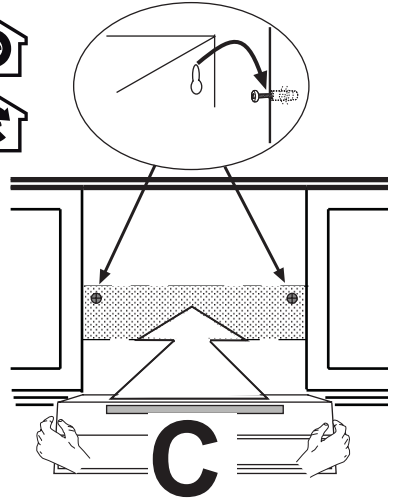


1X

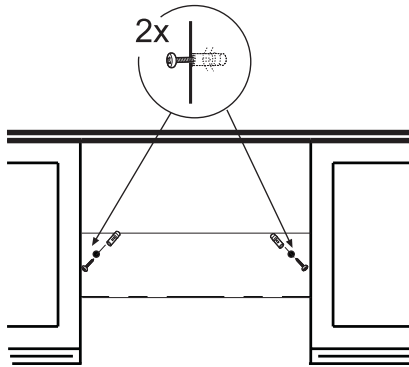
1



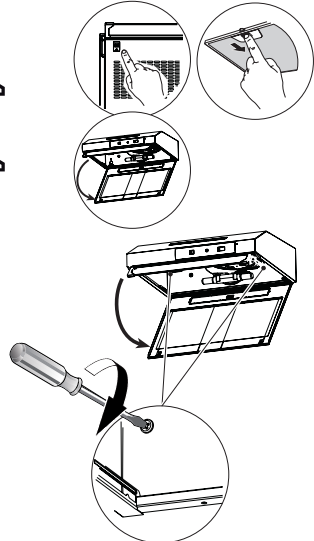
3

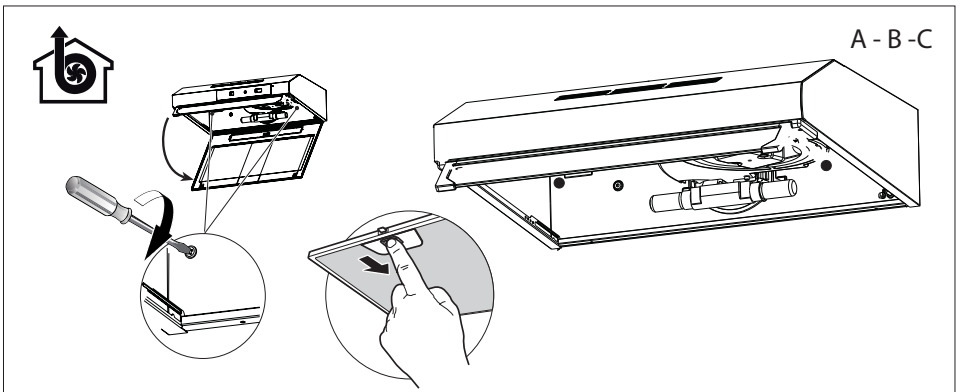
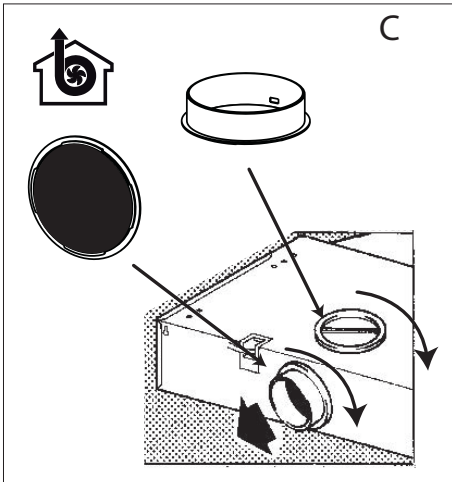
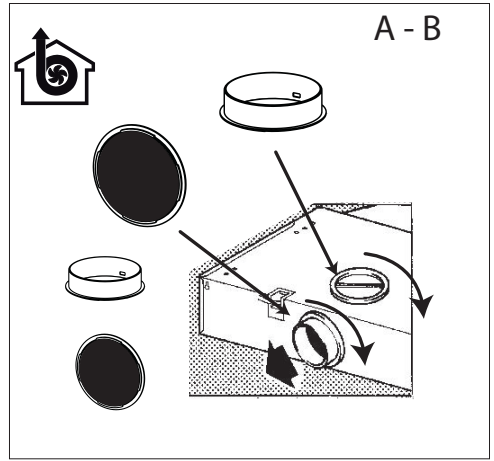
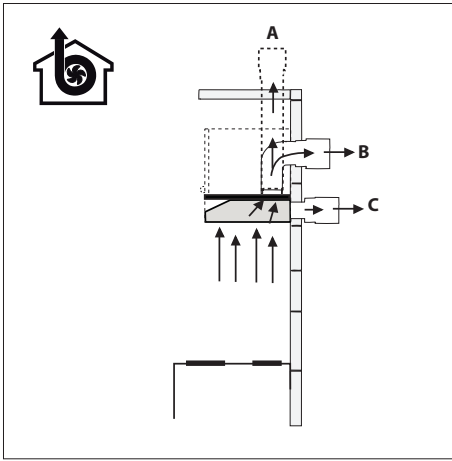


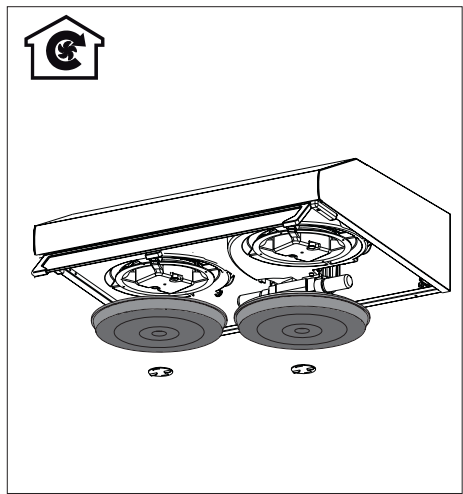
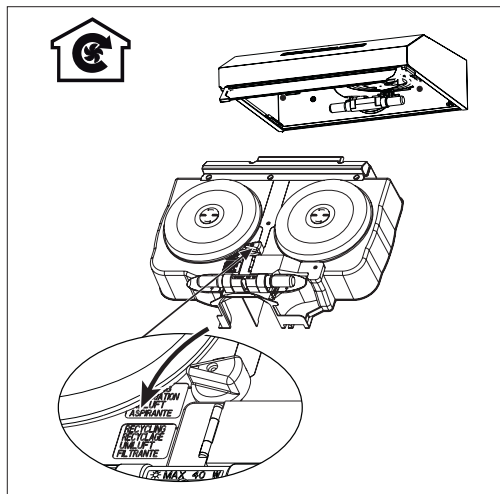
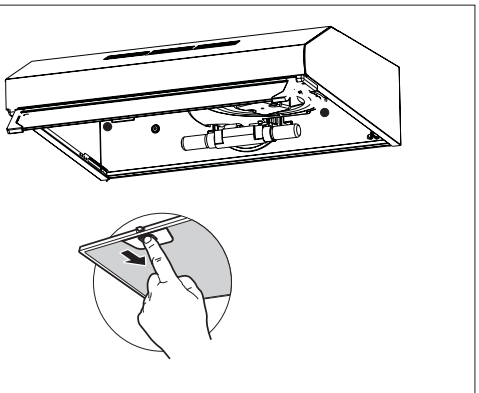
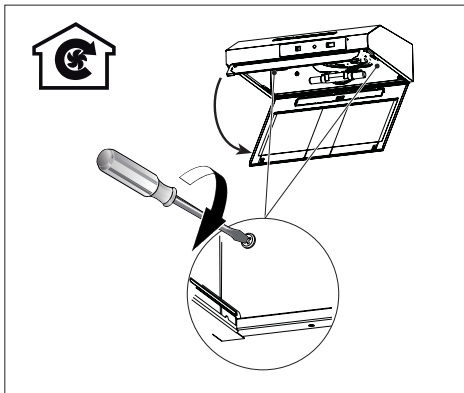
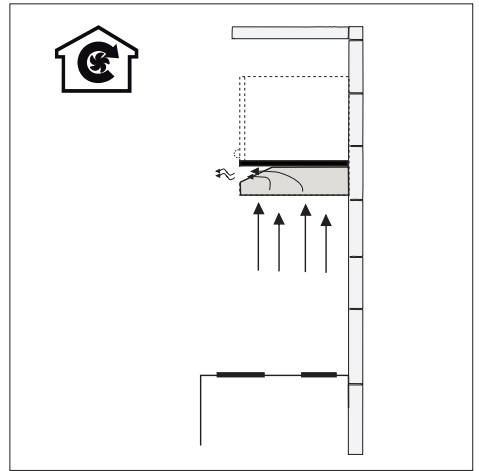
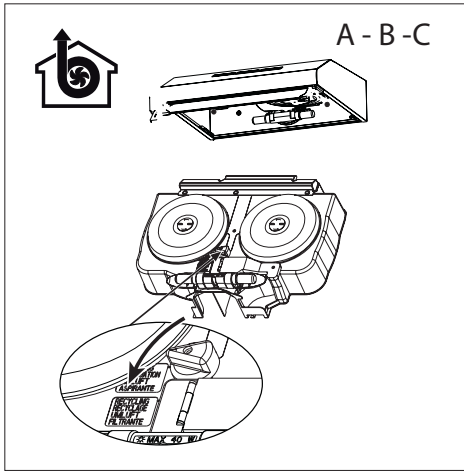
2



4







Arçelik A.Ş.
Karaağaç Caddesi No: 2-6, 34445,
Sütlüce, İstanbul, Türkiye

www.beko.com

Live like a Pro



**WARRANTY
CERTIFICATE**

مدة الضمان	نوع المنتج
٥ سنوات	الثلاجات & ديب فريرز راسي و أمقى & غسالة ملابس & غسالة أطباق & بوتجاز & فرن بليت إن & مسطح بليت إن & تكيف
٥ سنوات على الجهاز & ١٠ سنوات على الكباس الإنفريير	الثلاجات & ديب فريرز راسي و أمقى مزود بكباس إنفريير
٥ سنوات على الجهاز & ١٠ سنوات على الماتور إنفريير	غسالة ملابس & أطباق مزودة بماتور إنفريير
٥ سنوات على الجهاز & ١٠ سنوات على الكباس الإنفريير	التكيف مزود بكباس إنفريير
ضمان سنة	ماكينة قهوة
ضمان سنة	أجهزة منزلية صغيرة
ضمان سنة	شفاط منزلي

beko
Live like a Pro

إتصل بنا
16165

Dear Customer,
Thank you for purchasing BEKO product. We are confident that you will enjoy this product for many years. In case you need any further information,
Please contact us on short number 16165

عزيزي العميل،
نشكركم على شراء أجهزة بيهكو. نحن على ثقة بأنك سوف تستمتع بهذا المنتج لسنوات عديدة. في حال إن كنت بحاجة إلى مزيد من المعلومات،
يرجى الإتصال بنا على الرقم المختصر 16165

Product:	المنتج
Model Number :	رقم الموديل
Serial Number:	الرقم المسلسل
Production Date:	تاريخ الإنتاج
Warranty Serial Number:	رقم مسلسل الضمان
Dealer Name:	إسم الموزع
Purchase Date:	تاريخ الشراء
Customer Name:	إسم العميل
Address:	العنوان
Telephone:	التليفون

Terms and Conditions

- This Card and Sales Invoice must be presented upon any service.
- Warranty starts from date of purchase tax Invoice, if no proof for purchase date, the warranty starts with a maximum 6 months from production date.
- Warranty covers spare parts, Repair Fees, Inspection Fees, Examination Fees, service center representative transportation, and unit transportation fees - for repair purpose from customer to service center and back.
- Warranty valid for Product home use only, and does not cover commercial use.
- This warranty doesn't cover damages caused by misuse, accident or non-compliance with User Instruction Manual.
- This Warranty is void if Unit was opened or repaired at an any unauthorized service center.
- This warranty is void for the dish washers and washing machines if they were installed by an unauthorized service provider
- This warranty doesn't cover Cabinet - Lamps - Control Knobs - Glass parts - Rust resulting from misuse.
- This Warranty is void if this card is lost or fabricated by any means.
- This warranty card doesn't cover product installation visit. A separate fee to be paid by the customer. The company is committed to providing spare parts for a period of two years after the end of the main warranty period, and the full cost is at the customer's expense
- The device life span for spare parts availability is 2 years after the end of the original warranty registered in the warranty table, and the full expense would be paid by the customer after the end of the original warranty
- In case of exchanging a product with the same product, the warranty continues to follow the old device buying date
- The company has the right to proceed with any spare parts or product modifications that deems suitable as long as it does not affect the product efficiency without getting back to the customer

الشروط والأحكام

- يجب تقديم هذه البطاقة و فاتورة الشراء عند الخدمة.
- الضمان يبدأ من تاريخ الشراء بفاتورة الضريبة المعتمدة، إذا لم يكن هناك إثبات لتاريخ الشراء يبدأ الضمان بحد أقصى بعد ٦ أشهر من تاريخ الإنتاج.
- الضمان يشمل قطع الغيار و اجور الإصلاح، والكشف والفحص وإنتقال بين مركز الخدمة، وأعمال نقل المنتج بغرض الإصلاح من مقر العميل إلى مركز الخدمة وأعادة خلال فترة الضمان الأساسية.
- هذا الضمان يغطي الجهاز للاستخدام المنزلي فقط ولا يغطي الاستخدام التجاري.
- هذا الضمان لا يغطي الأضرار الناتجة عن الحوادث سوء الاستخدام أو عدم اتباع دليل تشغيل.
- يغطي الضمان الأذى في حالة فتح أو إصلاح الجهاز لأي مركز خدمة غير معتمد.
- يغطي الضمان الأذى بالنسبة لغسالة الملابس والأطباق في حالة التركيب في مركز خدمة غير معتمد.
- يغطي الضمان الأذى في حالة فقد شهادة الضمان أو أي نشطب أو كخط بها.
- يغطي الضمان الأذى في حالة فتح المنتج ويتم تحديد رسوم الزيارة عند التركيب.
- تتلزم الشركة بتوفير قطع الغيار لمدة عامين بعد انتهاء فترة الضمان الرئيسية وتحتوي كامل التكلفة على العمور الأتراضى للجهاز لتوفير قطع الغيار سنتان من بعد انتهاء فترة الضمان الفعلية المودنة في جدول الضمان وتحتوي كامل التكلفة على العمول بعد انتهاء فترة الضمان الأساسية.
- في حالة استبدال المنتج بنفسى المنتج يتم استكمال الضمان وفقاً لتاريخ شراء الجهاز القديم.
- والشركة الحق باجراء تعديلات على المنتج وقطع الغيار بما يؤثر على كفاءة الجهاز و حين الرجوع للعميل.

beko
Live like a Pro

Service and Sales on short number
16165

خدمة
الموزع

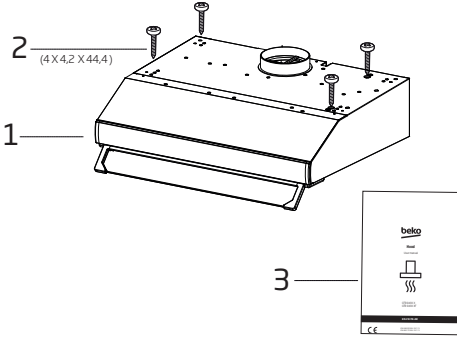
الخدمة والمبيعات على الرقم المختصر
16165
beko
Live like a Pro

Serial Number

مساعدة	السبب	استكشاف الأخطاء وإصلاحها
	افحص المصهر الخاص بك.	المنتج لا يعمل.
قد يكون المصهر مغلقًا، اجعله يعمل.		
يجب أن يتراوح جهد المأخذ الكهربائي ما بين 220-240 فولط.	افحص الوصلة الكهربائية.	المنتج لا يعمل.
تحقق مما إذا كانت الأجهزة الأخرى الموجودة في مطبخك تعمل أم لا.	افحص الوصلة الكهربائية.	المنتج لا يعمل.
يجب أن يتراوح جهد المأخذ الكهربائي ما بين 220-240 فولط.	افحص الوصلة الكهربائية.	لمبة الإنارة لا تعمل.
يجب أن يكون مفتاح اللمبة في وضع التشغيل "ON".	افحص مفتاح اللمبة.	لمبة الإنارة لا تعمل.
ينبغي ألا تكون لمبات الجهاز معيبة.	افحص اللمبات.	لمبة الإنارة لا تعمل.
يجب تنظيف فلتر الزيت الألومنيوم مرة واحدة على الأقل كل شهر في الظروف العادية.	افحص الفلتر الألومنيوم.	الهواء الداخل إلى الجهاز ضعيف.
يجب أن يكون مصرف فتحة التهوية في وضع التشغيل "ON".	افحص مصرف فتحة التهوية.	الهواء الداخل إلى الجهاز ضعيف.
بالنسبة للأجهزة التي تحتوي على فلتر كربون، يجب تغيير الفلتر عادة كل 3 أشهر.	افحص فلتر الكربون.	الهواء الداخل إلى الجهاز ضعيف.

العمر الافتراضي للجهاز لتوافر قطع الغيار سنتان من بعد انتهاء فترة الضمان الاصلية. لمزيد من المعلومات اتصل ب 16165

5.2 ملحقات التثبيت



1. الغطاء
2. 44،4x4x4،2 براغي
3. يل المُستخدم

تحذير: قد يؤدي عدم تثبيت البراغي أو جهاز التثبيت وفقاً لهذه التعليمات إلى التعرض لمخاطر كهربائية.



5.3 التخزين

- إذا لم تخطط لاستخدام الجهاز لفترة طويلة من الوقت، يرجى تخزينه بعناية.
- يرجى التأكد من نزع قابس الجهاز، وتركه ليبرد ويجف تماماً.
- عليك تخزين الجهاز في مكان بارد وجاف.
- حافظ على الجهاز بعيداً عن متناول أيدي الأطفال.

5.4 التعامل والنقل

- أثناء التعامل والنقل فقم بحمل الجهاز في عبوتها الأصلية. الهدف من عبوة تغليف الجهاز هو حمايته من أي أضرار مادية.
- لا تضع أحمالاً ثقيلة على الجهاز أو العبوة. يمكن أن يتعرض الجهاز للتلف.
- يؤدي إسقاط الجهاز إلى عدم صلاحيته للتشغيل أو يتسبب في إلحاق أضرار دائمة.

تحذير: يرجى قراءة تعليمات الأمان قبل إعداد الجهاز.



تحذير: قد يؤدي عدم تثبيت البراغي أو جهاز التثبيت وفقاً لهذه التعليمات إلى التعرض لمخاطر كهربائية.

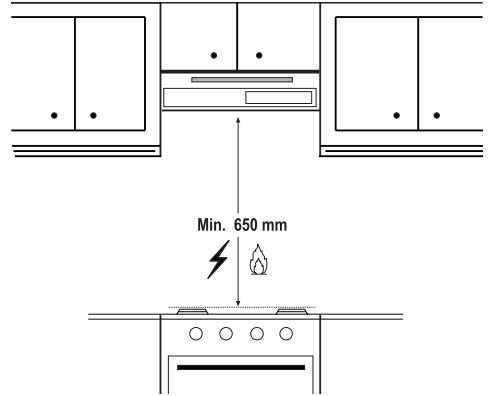


يرجى الرجوع إلى صفحة 27 للحصول على دليل التثبيت



لتركيب الشفاط، يرجى الاتصال بأقرب خدمة معتمدة.
يتحمل العميل مسؤولية إعداد الموقع والتركيب الكهربائي للشفاط.

5.1 موضع الجهاز



- يجب مراعاة المسافة بين البوتاجاز ومدخنة الموقد قبل التجميع. يجب أن تكون هذه المسافة 65 سم .
- يجب قياس المسافة من سطح الشبكة الخاصة بأفران الغاز، من سطح الزجاج للمواقد الكهربائية.

إجراء هذه العملية. اغسل المرشحات بمنظف سائل واشطفها بالماء وأعد تركيبها بعد أن تجف. قد يتشوه لون مرشحات الشحوم المصنوعة من الألومنيوم عند غسلها؛ وهذا أمر طبيعي ولا تحتاج إلى تغييرها.

يجب تنظيف الجهاز وصيانته بانتظام. فعدم الحفاظ على نظافة الجهاز سيؤثر سلبًا على مدة عمل الجهاز. للتنظيف والصيانة، اتبع التعليمات المذكورة في الدليل.

يمكنك غسل المرشح المصنوع من الألومنيوم في غسالة الأطباق



افصل الجهاز قبل تنظيفه وصيانته أو أوقف تشغيله من المفتح الرئيسي أو فَاك المصهر الذي يزود الغطاء بالطاقة.



4.2 تغيير المرشح الكربوني (وضع دوران الهواء)

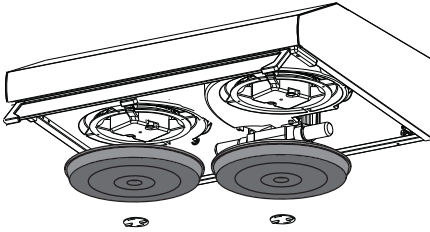
يمكن تجهيز الغطاء بمرشح كربوني نشط. لا يُستخدم المرشح الكربوني سوى في حالة عدم توصيل الغطاء بقناة التهوية.

وعلى أي حال، يلزم استبدال المرشح الكربوني كل ثلاثة أشهر على الأقل.

قد يؤدي عدم اتباع تعليمات تنظيف الجهاز واستبدال الفلاتر إلى خطر نشوب حريق. لذلك، يوصى باتباع الإرشادات المذكورة هنا. الشركة المُصنِّعة غير مسؤولة عن الأضرار التي تلحق بالمحرك أو الحرائق الناتجة عن الاستخدام غير السليم.

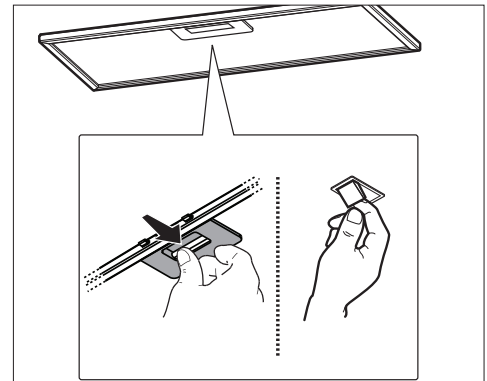


لا تنظف الجهاز سوى باستخدام قطعة قماش مبللة بمنظف سائل محايد. تجنب تنظيفه باستخدام أي أدوات أو معدات. تجنب استخدام أي منتجات كاشطة. تجنب تنظيفه باستخدام الكحول



4.1 تنظيف مرشح الشحوم المصنوع من الألومنيوم

- **تحذير:** ينبغي تجنب غسل المرشح الكربوني تمامًا.
- **تحذير:** يتوفر المرشح الكربوني من وكلاء الخدمة المعتمدين.



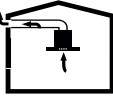
يلتقط هذا المرشح جسيمات الزيت المتطايرة في الهواء. يوصى بتنظيفه كل شهر في ظل ظروف الاستخدام العادية. أزل مرشحات الشحوم أولاً ليتسنى

الأبعاد	104x35 مم
رمز ال ILCOS	HSGSB/C/UB-28-220/240-E14
فيض ضوئي	lm 320

يحتوي هذا المنتج على مصدر ضوء من فئة كفاءة الطاقة "F".

3.5 التشغيل مع توصيل المداخن

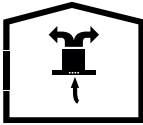
يتم استخراج البخار من خلال مجرى المداخن، والذي يتم تثبيته برأس التوصيل الموجود على الشفاط.



يجب أن يكون قطر مجرى المداخن هو نفس حلقة التوصيل. في الإعدادات الأفقية، يجب أن يكون للأنبوب ميل طفيف إلى الأعلى (حوالي 10 درجات) حتى يتمكن الهواء من الخروج من الغرفة بسهولة.

3.6 التشغيل بدون توصيل المداخن

يتم تنقية الهواء من خلال مرشح الكربون وإعادة تدويره في الغرفة. يتم استخدام مرشح الكربون عندما يكون من المستحيل استخدام مداخن في المنزل.




في حالة الاستخدام غير المائي، قم بإزالة اللوحات الموجودة داخل محول المداخن.

فك مرشح الشحوم. لتركيب مرشح الكربون، ثبت المرشح على الألسنة عن طريق توسيطه على قطعة بلاستيكية على جانبي جسم المروحة. شدها بالتحول إلى اليمين أو اليسار.

استبدل مرشح الشحم المصنوع من الألومنيوم.

3.3 تشغيل الشفاط

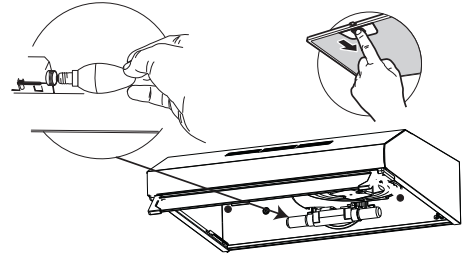
- يكون الشفاط مزودًا بمحرك به العديد من إعدادات السرعة.
- وللحصول على الأداء الأمثل، نوصيك باستخدام السرعات المنخفضة في الحالات العادية واستخدام السرعات العالية عندما تشتد الروائح والأبخرة.
- يمكنك تشغيل الشفاط بالضغط على مفتاح مستوى السرعة المرغوبة. (V1، V2، V3)
- يمكنك إنارة منطقة الطهي بالضغط على مفتاح المصباح L ()

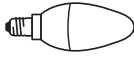
3.4 استبدال المصباح

- قبل استبدال بصيالات المصابيح، افصل مصدر إمداد الطاقة للغطاء.
- تجنب لمس بصيالات المصابيح عندما تكون ساخنة.
- احرص على عدم لمس بصيلة المصباح المستبدل مباشرة بيديك.

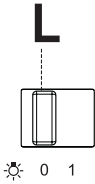
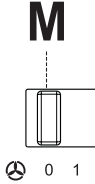



يمكنك شراء المصابيح من وكلاء الخدمة المعتمدين.



المصباح	
الإستهلاك	28 واط
التوصيله	E14
الفولتاج	220 - 240 واط

3.1 لوحة عناصر التحكم

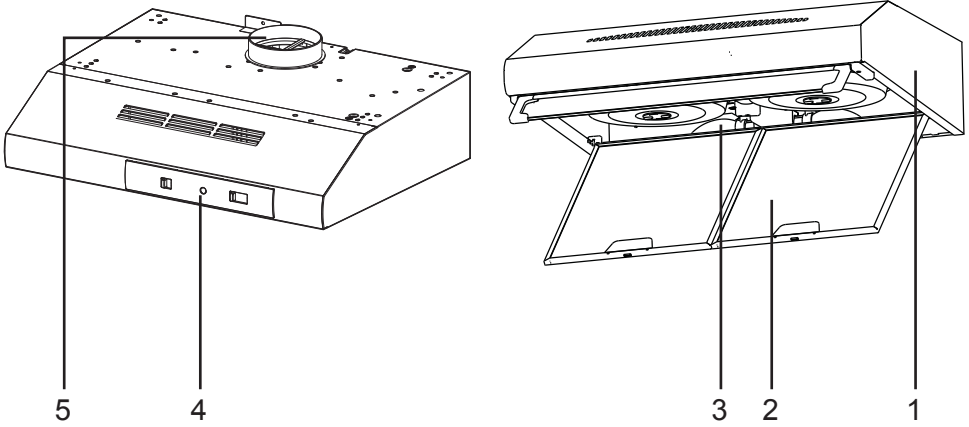
 L	 M	 V
يشعل ويطفئ جهاز الإنارة.		L: إنارة
يقوم بتشغيل وإيقاف محرك الشفاط		M: تشغيل / إيقاف تشغيل المحرك
يحدد سرعة التشغيل:		V: سرعه
<p>1. أقل سرعة، وهي مناسبة من حيث هوء. الضوضاء وتسمح بتدفق الهواء، في حال وجود القليل من أبخرة الطبخ.</p> <p>2. سرعة متوسطة، وهي تناسب معظم. ظروف الاستعمال، نظرا للعلاقة الجيدة بين تدفق الهواء ومستوى الضوضاء.</p> <p>3. أقصى سرعة، ملائمة لمواجهة انبعاث. بخار الطبخ القوي، حتى إذا أنت مدة الطبخ طويلة.</p>		

- صُمم غطاء الشفاط خصيصًا للاستخدام المنزلي للتخلص من الروائح التي تنبعث من المطبخ.
- تجنب تمامًا استخدام الغطاء لأي أغراض أخرى غير التي صُمم من أجلها.
- تجنب تمامًا ترك ألسنة اللهب المكشوفة العالية أسفل الغطاء أثناء تشغيله.
- اضبط شدة اللهب لتوجيهه إلى قاع المقلاة فقط، مع التأكد من عدم وصوله إلى الجوانب.
- ينبغي مراقبة قلايات الدهون العميقة باستمرار أثناء استخدامها: نظرًا لإمكانية اشتعال الزيت الساخن بشدة ونشوب ألسنة لهب.

3.2 الاستخدام الفعال من حيث توفير الطاقة

- عند استخدام الجهاز، اضبط إعدادات السرعة طبقًا لكثافة الدخان والرائحة لتوفير الطاقة.
- استخدم السرعتين المنخفضتين (1-2) في الظروف الطبيعية، والسرعة العالية (3) في حالة وجود رائحة قوية ودخان كثيف.
- تستخدم المصابيح على الشفاط لإنارة منطقي الطهي.
- إن استخدامها لإنارة المكان يتسبب بالاستهلاك غير اللازم للطاقة والإنارة غير الكافية.
- حتى يستهلك الجهاز طاقة أقل، شغله على مستوى سرعة منخفض.
- سيقلل الجهاز من استهلاك الطاقة لأنه سيعمل بكفاءة أكبر عندما توفر كمية هواء كافية له.
- اضبط الجهاز على مستوى قوة شفط مكثف قبل تكون البخار، وذلك في الحالات التي تعلم فيها أنه سيكون هناك بخار كثيف. وهكذا، فإنك تقلل من استهلاك الطاقة باستخدام الجهاز لفترة أقصر حيث ستوفر كمية هواء كافية له.
- أبقِ أغطية أواني الطهي مغلقة لتقليل البخار المتصاعد.

2.1 نظرة عامة



2.2 البيانات الفنية

CFB 9433 XF	الطراز
220-240 فولت 50 هرتز	جهد مصدر الإمداد
2x28 بالواط	طاقة المصباح
2x125 بالواط	طاقة الموتور
365 م ³ /س	تدفق الهواء - 3. المستوى
الفئة الثانية	فئة العزل

1. الجسم الرئيسي
2. مرشح شحوم من الألمنيوم
3. الإضاءة
4. لوحة التحكم
5. المدخنة

1.2 الامتثال لتوجيه WEEE (نفايات الأجهزة الكهربائية والإلكترونية) والتخلص من نفايات المنتج:

يتوافق هذا المنتج مع توجيه نفايات الأجهزة الكهربائية والإلكترونية (EU/2012/19) للاتحاد الأوروبي. يحظى هذا المنتج بتصنيف رمز لنفايات الأجهزة الكهربائية والإلكترونية (WEEE).

يُشير هذا الرمز إلى أنه ينبغي عدم التخلص من هذا المنتج مع النفايات المنزلية الأخرى في نهاية عمره التشغيلي. ينبغي إعادة الجهاز المُستخدَم إلى نقطة تجميع رسمية لإعادة تدوير الأجهزة الكهربائية والإلكترونية. للعثور على أنظمة التجميع هذه، يُرجى الاتصال بالهيئات المحلية المعنية لديك أو بائع التجزئة الذي اشتريته منه المنتج. تؤدي كل أسرة دورًا مهمًا في استعادة الأجهزة القديمة وإعادة تدويرها. ويساعد التخلص المناسب من الأجهزة المُستخدَمة في منع العواقب السلبية المحتملة على البيئة وصحة الإنسان.



1.3 الامتثال لتوجيه RoHS (الحد من المواد الخطرة)

يتوافق المنتج الذي اشتريته مع توجيه الحد من المواد الخطرة (EU/2011/65) للاتحاد الأوروبي. فهو لا يحتوي على مواد ضارة ومحظورة محددة في التوجيه.

1.4 معلومات التعبئة والتغليف

صُنعت مواد تعبئة المنتج وتغليفه من مواد قابلة لإعادة التدوير وفقًا للوائح التنظيمية البيئية الوطنية المعمول بها لدينا. تجنب التخلص من مواد التعبئة والتغليف مع النفايات المنزلية أو النفايات الأخرى. بل سلمهم إلى نقاط تجميع مواد التعبئة والتغليف المحددة من قبل الهيئات المحلية.



- تجنب تشغيل المنتج بدون المرشح وتجنب إزالة المرشحات أثناء تشغيل المنتج.
- أوقف تشغيل منتجك وأجهزة الطهي الأخرى في حالة اندلاع أي لهب.
- في حالة اندلاع أي لهب، يرجى تغطيته وتجنب استخدام الماء في عملية الإطفاء تماماً.
- افصل الجهاز قبل كل عملية تنظيف وعند عدم استخدامه.
- ينبغي ألا يتجاوز الضغط السلبي في البيئة 4 باسكال (4 × 10 بار) بينما يعمل الغطاء الخاص بالموقد الكهربائي والأجهزة على نوع آخر من الطاقة ولكن تعمل الكهرباء في الوقت نفسه.
- في البيئة التي يُستخدم فيها الجهاز، ينبغي أن يكون عادم الأجهزة التي تعمل بزيوت الوقود أو الغاز، مثل مدفأة الغرفة، معزولاً تماماً أو يجب أن يكون الجهاز من النوع محكم السد.
- عند توصيل المداخل، استخدم أنابيب يبلغ قطرها 120 أو 150 مم. وينبغي تقصير مسافة توصيل الأنابيب قدر الإمكان واستخدام أقل عدد ممكن من الأكواع.
- **خطر الاختناق!** احتفظ بجميع مواد التعبئة والتغليف بعيداً عن متناول الأطفال.
- **تنبيه:** قد تصبح الأجزاء التي يمكن الوصول إليها ساخنة عند استخدامها مع أجهزة الطهي.
- ينبغي عدم توصيل مخرج المنتج بقنوات الهواء التي ينبعث منها دخان آخر.
- قد تكون تهوية الغرفة غير كافية عند استخدام غطاء الموقد الكهربائي في آن واحد مع الأجهزة التي تعمل بالغاز أو أنواع الوقود الأخرى (قد لا ينطبق ذلك على الأجهزة التي لا تُفرغ سوى الهواء مرة أخرى إلى الغرفة).
- قد تسقط الأشياء التي تُوضع على المنتج. لذا تجنب وضع أي أشياء عليه.
- تجنب إشعال أي لهب أسفل المنتج.
- تحذير: أزل الأغشية الواقية قبل تثبيت الغطاء.
- تجنب تماماً ترك ألسنة اللهب المكشوفة العالية أسفل الغطاء أثناء تشغيله.
- ينبغي مراقبة قلايات الدهون العميقة باستمرار أثناء استخدامها: نظراً لإمكانية اشتعال الزيت الساخن بشدة ونشوب ألسنة لهب.

- تأكد من توافق مصدر إمداد الطاقة الرئيسي لديك مع المعلومات المقدمة على لوحة تصنيف الجهاز.
- تجنب استخدام الجهاز تمامًا في حالة تلف كابل الطاقة أو الجهاز نفسه.
- تجنب تلف كابل الطاقة من خلال عدم الضغط عليه أو ثنيه أو التسبب في احتكاكه بالحواف الحادة. حافظ على كابل الطاقة بعيدًا عن الأسطح الساخنة واللهب المكشوف.
- لا تستخدم الجهاز سوى مع مقبس كهربائي مؤرض.
- تحذير: تجنب توصيل الجهاز بمصدر إمداد الطاقة الرئيسي قبل أن يتم تثبيته تمامًا.
- ضع الجهاز بطريقة تتيح الوصول إلى القابس بسهولة دائمًا.
- تجنب لمس المصابيح في حالة إضاءتها لفترة طويلة. فقد تتسبب في إصابة يديك بحروق لأنها ستكون ساخنة.
- اتبع اللوائح التنظيمية التي حددتها الهيئات المختصة بخصوص تفرغ هواء العادم (لا ينطبق هذا التحذير على الاستخدام بدون مداخل).
- شغل جهازك بعد وضع المقلاة والوعاء وما إلى ذلك على الموقد. وإلا، قد تؤدي الحرارة المرتفعة إلى حدوث تشوه في بعض أجزاء منتجك.
- أوقف تشغيل الموقد قبل رفع المقلاة والوعاء وما إلى ذلك من فوقه.
- تجنب ترك الزيت الساخن على الموقد. فقد تؤدي المقالي التي تحتوي على زيت ساخن إلى حدوث اشتعال ذاتي.
- يرجى الانتباه إلى الستائر والأغطية لديك نظرًا لإمكانية اشتعال الزيت أثناء طهي الأطعمة مثل البطاطس المقلية.
- يلزم استبدال مرشح الشحوم شهريًا على الأقل. يلزم استبدال المرشح الكربوني كل 3 أشهر على الأقل.
- ينبغي تنظيف المنتج وفقًا لدليل المُستخدِم. لأنه في حالة عدم تنظيفه وفقًا لدليل المُستخدِم، قد يكون هناك ثمة خطر من نشوب حريق.
- تجنب استخدام مواد تصفية غير مقاومة للحريق بدلًا من المرشح الحالي.
- لا تستخدم سوى الأجزاء الأصلية أو الأجزاء التي أوصت بها الشركة المصنعة.

1.1 السلامة العامة

- بينات المبيت والإفطار.
- لا تشغل الجهاز سوى للغرض المخصص له كما هو موضح في هذا الدليل.
- لا يمكن تحميل الشركة المصنعة مسؤولية الأضرار الناجمة عن التثبيت غير الصحيح للمنتج أو سوء استخدامه.
- يمكن للأطفال الذين تتراوح أعمارهم بين 8 سنوات وما فوق والأشخاص ذوي القدرات الجسدية أو الحسية أو العقلية المحدودة أو الذين يعانون من نقص في الخبرة والمعرفة استخدام هذا الجهاز في حالة الإشراف عليهم أو منحهم التعليمات المتعلقة باستخدام الجهاز بطريقة آمنة وفهمهم للمخاطر المرتبطة به.
- ينبغي عدم السماح للأطفال بالعبث في الجهاز. ولا ينبغي لهم كذلك تنظيفه وصيانته دون الخضوع للإشراف.
- ينبغي ألا يقل الحد الأدنى للمسافة بين سطح الدعم لأوعية الطهي على الموقد والجزء السفلي من منتجك عن 65 سم.
- إذا كانت تعليمات تثبيت موقد الغاز تحدد مسافة أكبر، يلزم مراعاة ذلك.
- اقرأ تعليمات السلامة المهمة بعناية واحتفظ بها للرجوع إليها في المستقبل يحتوي هذا القسم على تعليمات السلامة التي ستساعد في الحماية من خطر نشوب حريق أو التعرض لصدمة كهربائية أو طاقة الميكروويف المتسربة أو الإصابة الشخصية أو تلف الممتلكات. يؤدي عدم اتباع هذه التعليمات إلى إبطال أي ضمان.
- تتوافق منتجات Beko مع معايير السلامة المعمول بها؛ لذلك، في حالة حدوث أي تلف بالجهاز أو كابل الطاقة، يجب إصلاحه أو استبداله لدى الوكيل أو مركز الخدمة أو فني خدمات متخصص ومعتمد على حد سواء لتجنب أي خطر. فقد تمثل أعمال الإصلاح الخاطئة أو غير المؤهلة خطورة وتشكل خطرًا على المستخدم.
- صُمم هذا الجهاز خصيصًا للاستخدام في الاستخدامات المنزلية وما شابهها مثل:
- مناطق مطبخ الموظفين في المتاجر والمكاتب وبيئات العمل الأخرى؛
- منازل المزارع
- من قبل العملاء في الفنادق والبيئات السكنية الأخرى؛

يرجى قراءة دليل المُستخدمِ هذا أولاً!

عملينا العزيز الغالي،

شكرًا لك على تفضيلك لجهاز Beko هذا. نأمل حصولك على أفضل النتائج من جهازك الذي صُنِعَ بجودة عالية وبأحدث التقنيات. ولهذا السبب، يرجى قراءة دليل المُستخدمِ هذا بالكامل وجميع المستندات الأخرى المرفقة معه بعناية قبل استخدام الجهاز والاحتفاظ بهم كمرجع للاستخدام المستقبلي. ويرجى، في حالة إعطاء الجهاز لشخص آخر، منحه دليل المُستخدمِ كذلك. اتبع التعليمات من خلال الانتباه إلى جميع المعلومات والتحذيرات الواردة في دليل المُستخدمِ. تذكر أن دليل المُستخدمِ هذا قد ينطبق أيضًا على الطرز الأخرى. وتوصف الاختلافات بين الطرز بوضوح في الدليل.

معاني الرموز

تُستخدم الرموز التالية في أقسام مختلفة من دليل المُستخدمِ هذا:

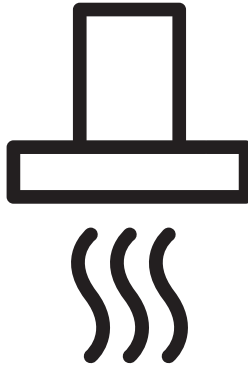
معلومات مهمة ونصائح مفيدة بخصوص الاستخدام.	
تحذير: تحذيرات من المواقع الخطرة المتعلقة بأمن الحياة والممتلكات.	
تحذير من خطر نشوب حريق.	
تحذير من خطر التعرض لصدمة كهربائية.	
فئة الحماية من الصدمة الكهربائية.	



beko

الغطاء

دليل المستخدم



CFB9433XF

AR

CE

01M-8891723200-4922-16