



Freezer

User manual

Congélateur

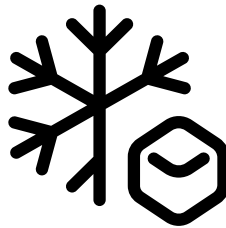
Manuel d'utilisation

Холодильник

Посібник користувача

Холодильник

Руководство пользователя



RFNE 270K21W - RFNE270K31WN



EN / FR / UK / RUS

57 5150 0000/AK
1/3

Please read this user manual first!

Dear Customer,

We hope that your product, which has been produced in modern plants and checked under the most meticulous quality control procedures, will provide you an effective service.

Therefore, read this entire user manual carefully before using the product and keep it as a reference. If you handover the product to someone else, give the user manual as well.

The user manual will help you use the product in a fast and safe way.

- Read the manual before installing and operating the product.
- Make sure you read the safety instructions.
- Keep the manual in an easily accessible place as you may need it later.
- Read the other documents given with the product.

Remember that this user manual is also applicable for several other models. Differences between models will be identified in the manual.

Explanation of symbols

Throughout this user manual the following symbols are used:

 Important information or useful tips.

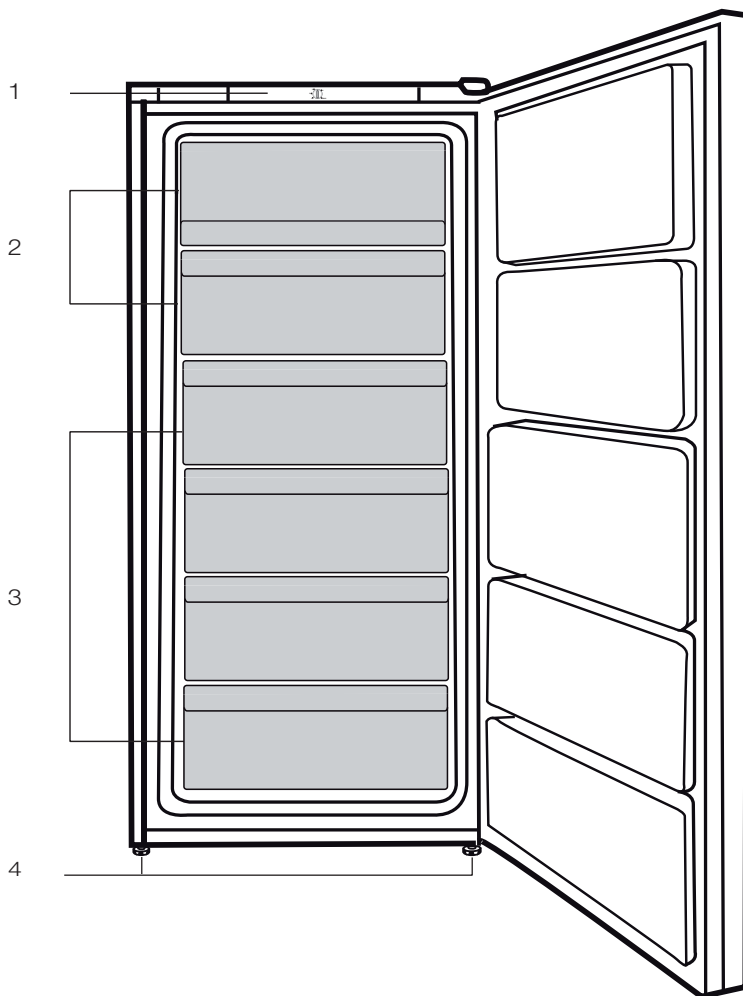
 Warning against dangerous conditions for life and property.

 Warning against electric voltage.

CONTENTS

| | | | |
|---|-----------|---|-----------|
| 1 Your Freezer | 3 | 4 Preparation | 13 |
| 2 Important Safety Warnings | 4 | 5 Using your refrigerator | 15 |
| Intended use | 4 | Setting the operating temperature..... | 15 |
| General safety | 4 | Freezing..... | 16 |
| For products with a | 8 | Door Open Warning | 17 |
| water dispenser;..... | 8 | Freezing fresh food | 18 |
| Child safety | 9 | Recommendations for preservation of frozen food..... | 18 |
| Compliance with WEEE Directive and Disposing of the Waste Product: | 9 | Placing the food..... | 18 |
| Package information | 10 | Deep-freeze information | 19 |
| HC warning..... | 10 | 6 Maintenance and cleaning | 20 |
| Things to be done for energy saving | 10 | Protection of plastic surfaces | 20 |
| 3 Installation | 11 | 7 Troubleshooting | 21 |
| Points to be paid attention to when the relocation of the refrigerator | 11 | | |
| Electrical connection | 11 | | |
| Adjusting the legs..... | 12 | | |
| Disposing of the packaging..... | 12 | | |
| Disposing of your old refrigerator | 12 | | |
| Placing and Installation..... | 12 | | |

1 Your Freezer



1. Control Panel
2. Flap
3. Drawers
4. Adjustable front feet

i Figures that take place in this instruction manual are schematic and may not correspond exactly with your product. If the subject parts are not included in the product you have purchased, then it is valid for other models.

2 Important Safety Warnings

Please review the following information. Failure to observe this information may cause injuries or material damage. Otherwise, all warranty and reliability commitments will become invalid.

The service life of your product is 10 years. During this period, original spare parts will be available to operate the product properly.

Intended use

This product is intended to be used

- indoors and in closed areas such as homes;
- in closed working environments such as stores and offices;
- in closed accommodation areas such as farm houses, hotels, pensions.
- It should not be used outdoors.

General safety

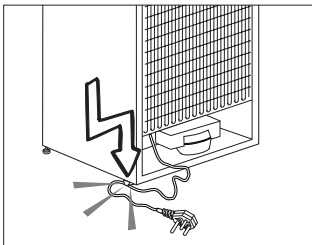
- When you want to dispose/scrap the product, we recommend you to consult the authorized service in order to learn the required information and authorized bodies.
- Consult your authorized service for all your questions and problems related to the refrigerator. Do not intervene or let someone intervene to the refrigerator without notifying the authorised services.
- For products with a freezer compartment; Do not eat cone ice cream and ice cubes immediately after you take them out of the freezer compartment! (This may cause frostbite in your mouth.)
- For products with a freezer compartment; Do not put bottled and canned liquid

beverages in the freezer compartment. Otherwise, these may burst.

- Do not touch frozen food by hand; they may stick to your hand.
- Unplug your refrigerator before cleaning or defrosting.
- Vapor and vaporized cleaning materials should never be used in cleaning and defrosting processes of your refrigerator. In such cases, the vapor may get in contact with the electrical parts and cause short circuit or electric shock.
- Never use the parts on your refrigerator such as the door as a means of support or step.
- Do not use electrical devices inside the refrigerator.
- Do not damage the parts, where the refrigerant is circulating, with drilling or cutting tools. The refrigerant that might blow out when the gas channels of the evaporator, pipe extensions or surface coatings are punctured causes skin irritations and eye injuries.
- Do not cover or block the ventilation holes on your refrigerator with any material.
- Electrical devices must be repaired by only authorised persons. Repairs performed by incompetent persons create a risk for the user.
- In case of any failure or during a maintenance or repair work, disconnect your refrigerator's mains supply by either turning off the relevant fuse or unplugging your appliance.
- Do not pull by the cable when pulling off the plug.
- Ensure highly alcoholic beverages are stored securely with the lid fastened and placed upright.

- Never store spray cans containing flammable and explosive substances in the refrigerator.
- Do not use mechanical devices or other means to accelerate the defrosting process, other than those recommended by the manufacturer.
- This product is not intended to be used by persons with physical, sensory or mental disorders or unlearned or inexperienced people (including children) unless they are attended by a person who will be responsible for their safety or who will instruct them accordingly for use of the product
- Do not operate a damaged refrigerator. Consult with the service agent if you have any concerns.
- Electrical safety of your refrigerator shall be guaranteed only if the earth system in your house complies with standards.
- Exposing the product to rain, snow, sun and wind is dangerous with respect to electrical safety.
- Contact authorized service when there is a power cable damage to avoid danger.
- Never plug the refrigerator into the wall outlet during installation. Otherwise, risk of death or serious injury may arise.
- This refrigerator is intended for only storing food items. It must not be used for any other purpose.
- Label of technical specifications is located on the left wall inside the refrigerator.
- Never connect your refrigerator to electricity-saving systems; they may damage the refrigerator.

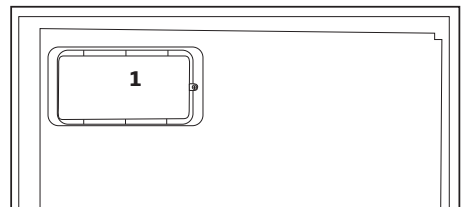
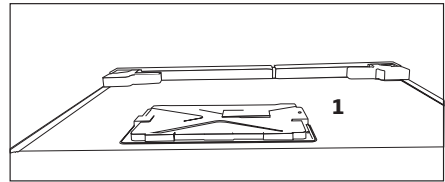
- If there is a blue light on the refrigerator, do not look at the blue light with optical tools.
- For manually controlled refrigerators, wait for at least 5 minutes to start the refrigerator after power failure.
- This operation manual should be handed in to the new owner of the product when it is given to others.
- Avoid causing damage on power cable when transporting the refrigerator. Bending cable may cause fire. Never place heavy objects on power cable. Do not touch the plug with wet hands when plugging the product
- Do not plug the refrigerator if the wall outlet is loose.
- Water should not be sprayed on inner or outer parts of the product for safety purposes.
- Do not spray substances containing inflammable gases such as propane gas near the refrigerator to avoid fire and explosion risk.
- Never place containers filled with water on top of the refrigerator; in the event of spillages, this may cause electric shock or fire.
- Do not overload the refrigerator with food. If overloaded, the food items may fall down and hurt you and damage refrigerator when you open the door.
- Never place objects on top of the refrigerator; otherwise, these objects may fall down when you open or close the refrigerator's door.



- As they require a precise temperature, vaccines, heat-sensitive medicine and scientific materials and etc. should not be kept in the refrigerator.
- If not to be used for a long time, refrigerator should be unplugged. A possible problem in power cable may cause fire.
- The plug's tip should be cleaned regularly with a dry cloth; otherwise, it may cause fire.
- Refrigerator may move if adjustable legs are not properly secured on the floor. Properly securing adjustable legs on the floor can prevent the refrigerator to move.
- When carrying the refrigerator, do not hold it from door handle. Otherwise, it may be snapped.
- When you have to place your product next to another refrigerator or freezer, the distance between devices should be at least 8cm.

Otherwise, adjacent side walls may be humidified.

- The product shall never be used while the compartment which is located at the top or back of your product and in which electronic boards are available (electronic board box cover) (1) is open.



For products with a water dispenser;

- Pressure for cold water inlet shall be maximum 90 psi (6.2 bar). If your water pressure exceeds

80 psi (5.5 bar), use a pressure limiting valve in your mains system. If you do not know how to check your water pressure, ask for the help of a professional plumber.

- If there is risk of water hammer effect in your installation, always use a water hammer prevention equipment in your installation. Consult Professional plumbers if you are not sure that there is no water hammer effect in your installation.
- Do not install on the hot water inlet. Take precautions against the risk of freezing of the hoses. Water temperature operating interval shall be 33°F (0.6°C) minimum and 100°F (38°C) maximum.
- Use only potable water.

Child safety

- If the door has a lock, the key should be kept away from reach of children.
- Children must be supervised to prevent them from tampering with the product.

Compliance with WEEE Directive and Disposing of the Waste Product:



This product complies with EU WEEE Directive (2012/19/EU). This product bears a classification symbol for waste electrical and electronic equipment

(WEEE).

This product has been manufactured with high quality parts and materials which can be reused and are suitable for recycling. Therefore, do not dispose the product with normal domestic waste at the end of its service life. Take it to a collection point for the recycling of electrical and electronic equipment. Please consult your local authorities to learn the nearest collection point. Help protect the environment and natural resources by recycling used products. For children's safety, cut the power cable and break the locking mechanism of the door, if any, so that it will be non-functional before disposing of the product.

Package information

Packaging materials of the product are manufactured from recyclable materials in accordance with our National Environment Regulations. Do not dispose of the packaging materials together with the domestic or other wastes. Take them to the packaging material collection points designated by the local authorities.

Do not forget...

Any recycled substance is an indispensable matter for nature and our national asset wealth.

If you want to contribute to the re-evaluation of the packaging materials, you can consult to your environmentalist organizations or the municipalities where you are located.

HC warning

If your product's cooling system contains R600a:

This gas is flammable. Therefore, pay attention to not damaging the cooling system and piping during usage and transportation. In the event of damage, keep your product away from potential fire sources that can cause the product catch a fire and ventilate the room in which the unit is placed.

Ignore this warning if your product's cooling system contains R134a.

Type of gas used in the product is stated in the type label which is on the left wall inside the refrigerator.

Never throw the product in fire for disposal.

Things to be done for energy saving

- Do not leave the doors of your refrigerator open for a long time.
- Do not put hot food or drinks in your refrigerator.
- Do not overload your refrigerator so that the air circulation inside of it is not prevented.
- Do not install your refrigerator under direct sunlight or near heat emitting appliances such as ovens, dishwashers or radiators. Keep your refrigerator at least 30cm away from heat emitting sources and at least 5cm from electrical ovens.
- Pay attention to keep your food in closed containers.
- For products with a freezer compartment; You can store maximum amount of food items in the freezer when you remove the shelf or drawer of the freezer. Energy consumption value stated for your refrigerator has been determined by removing freezer shelf or drawer and under maximum load. There is no harm to use a shelf or drawer according to the shapes and size of food to be frozen.
- Thawing frozen food in fridge compartment will both provide energy saving and preserve the food quality.

3 Installation

⚠ In case the information which are given in the user manual are not taken into account, manufacturer will not assume any liability for this.

Points to be paid attention to when the relocation of the refrigerator

1. Your refrigerator should be unplugged. Before transportation of your refrigerator, it should be emptied and cleaned.

2. Before it is re-packaged, shelves, accessories, crisper, etc. inside your refrigerator should be fixed with adhesive tape and secured against impacts. Package should be bound with a thick tape or sound ropes and the transportation rules on the package should be strictly observed.

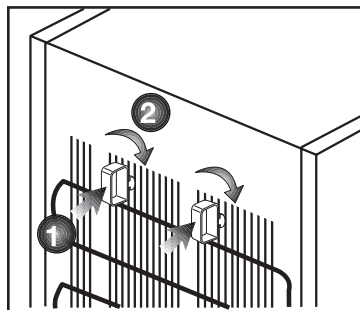
3. Original packaging and foam materials should be kept for future transportations or moving.

Before you start the refrigerator, **Check the following before you start to use your refrigerator:**

1. Attach 2 plastic wedges as illustrated below. Plastic wedges are intended to keep the distance which will ensure the air circulation between your refrigerator and the wall. (The picture is drawn up as a representation and it is not identical with your product.)

2. Clean the interior of the refrigerator as recommended in the "Maintenance and cleaning" section.

3. Connect the plug of the refrigerator to the wall socket. When



the fridge door is opened, fridge internal lamp will turn on.

4. When the compressor starts to operate, a sound will be heard. The liquid and gases sealed within the refrigeration system may also give rise to noise, even if the compressor is not running and this is quite normal.

5. Front edges of the refrigerator may feel warm. This is normal. These areas are designed to be warm to avoid condensation.

Electrical connection

Connect your product to a grounded socket which is being protected by a fuse with the appropriate capacity.

Important:

The connection must be in compliance with national regulations.

- The power plug must be easily accessible after installation.
- Electrical safety of your refrigerator shall be guaranteed only if the earth system in your house complies with standards.
- The voltage stated on the label located at left inner side of your product should be equal to your network voltage.

- Extension cables and multi plugs must not be used for connection.
- ⚠ A damaged power cable must be replaced by a qualified electrician.
- ⚠ Product must not be operated before it is repaired! There is the risk of electric shock!

Disposing of the packaging

The packing materials may be dangerous for children. Keep the packing materials out of the reach of children or dispose of them by classifying them in accordance with the waste instructions stated by your local authorities. Do not throw away with regular house waste, throw away on packaging pick up spots designated by the local authorities.

The packing of your refrigerator is produced from recyclable materials.

Disposing of your old refrigerator

Dispose of your old refrigerator without giving any harm to the environment.

- You may consult your authorized dealer or waste collection center of your municipality about the disposal of your refrigerator.

Before disposing of your refrigerator, cut out the electric plug and, if there are any locks on the door, make them inoperable in order to protect children against any danger.

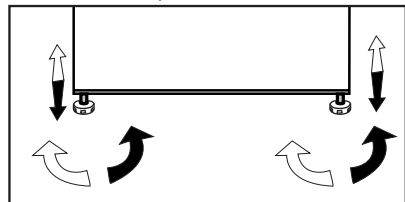
Placing and Installation

⚠ If the entrance door of the room where the refrigerator will be installed is not wide enough for the refrigerator to pass through, then call the authorized service to have them remove the doors of your refrigerator and pass it sideways through the door.

1. Install your refrigerator to a place that allows ease of use.
2. Keep your refrigerator away from heat sources, humid places and direct sunlight.
3. There must be appropriate air ventilation around your refrigerator in order to achieve an efficient operation. If the refrigerator is to be placed in a recess in the wall, there must be at least 5 cm distance with the ceiling and at least 5 cm with the wall. Do not place your product on the materials such as rug or carpet.
4. Place your refrigerator on an even floor surface to prevent jolts.

Adjusting the legs

If your refrigerator is unbalanced; You can balance your refrigerator by turning its front legs as illustrated in the figure. The corner where the leg exists is lowered when you turn in the direction of black arrow and raised when you turn in the opposite direction. Taking help from someone to slightly lift the refrigerator will facilitate this process.

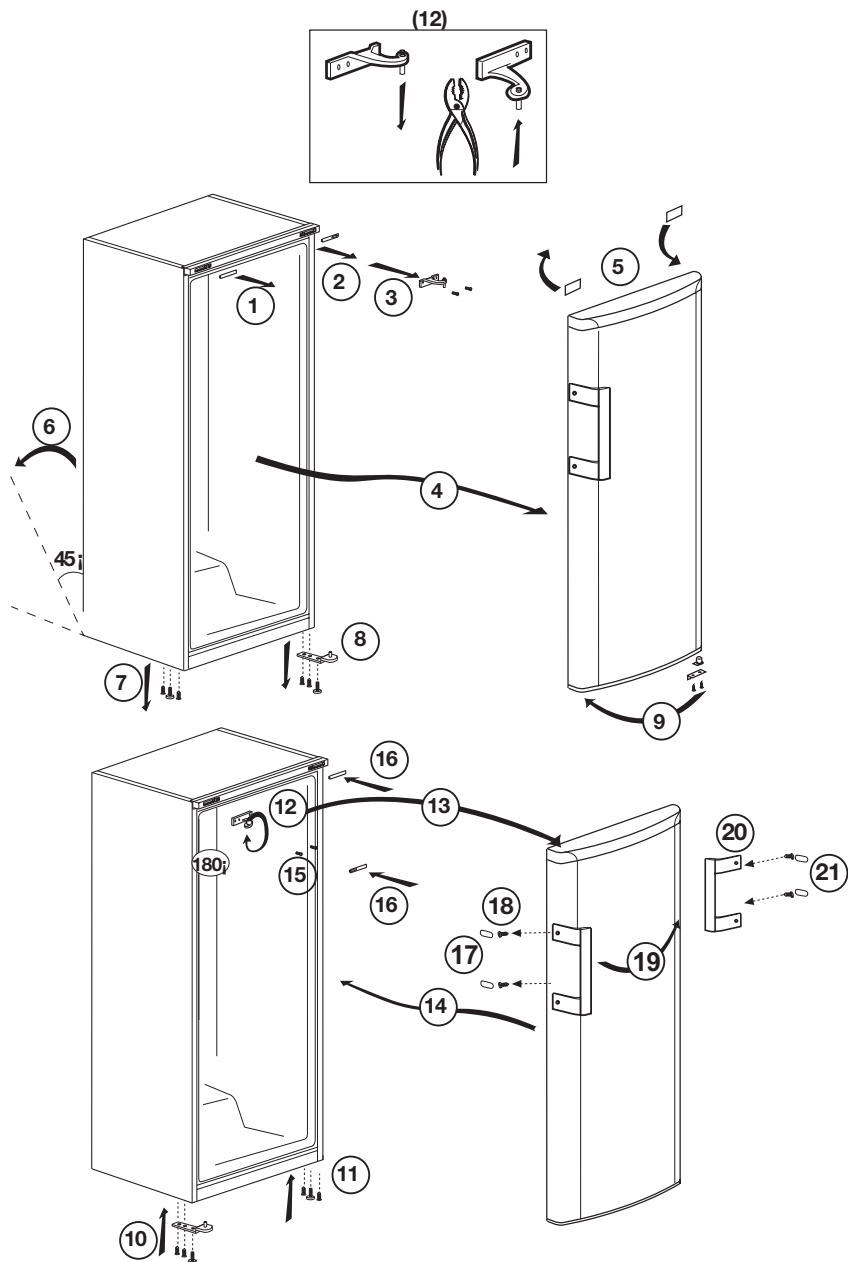


4 Preparation

- Your refrigerator should be installed at least 30 cm away from heat sources such as hobs, ovens, central heater and stoves and at least 5 cm away from electrical ovens and should not be located under direct sunlight.
- It's recommended to place ice-accumulator directly on the food at the top compartment for energy saving.
- Please make sure that the interior of your refrigerator is cleaned thoroughly.
- If two refrigerators are to be installed side by side, there should be at least 2 cm distance between them.
- When you operate your refrigerator for the first time, please observe the following instructions during the initial six hours.
- The door should not be opened frequently.
- It must be operated empty without any food in it.
- Do not unplug your refrigerator. If a power failure occurs out of your control, please see the warnings in the "Recommended solutions for the problems" section.
- Original packaging and foam materials should be kept for future transportations or moving.
- This appliance is designed to operate at temperatures specified in the table below is equipped with Advanced Electronic Temperature Control System [AETCS] which ensures that at the advised setting [4 - four on the knob] the frozen food in the freezer will not defrost even if the ambient temperature falls as low as -15 °C. When first installed the product MUST NOT be placed in low ambient temperatures because the freezer will not reduce to it's standard operating temperature. Once it has reached its steady operating state it can be re-located. So you may then install your appliance in a garage or an unheated room without having to worry about frozen food in the freezer being spoilt. However at low ambient temperatures mentioned above, fridge contents are likely to freeze, so check and consume food in the fridge accordingly. When the ambient temperature returns to normal, you may change the knob setting to suit your needs.
- If the ambient temperature is below 0°C, the food in the fridge compartment will freeze. So, we recommend you don't use the fridge compartment in such low ambient conditions. You can continue using the freezer compartment as usual.
- For energy efficiency, it is recommended to remove top shelf and load food on the shelf below. Net volume of your appliance is declared without top two flaps and the top shelf in place. Place two ice pack (if provided) directly on the top of frozen food to be stored on top shelf.

Reversing the doors

Proceed in numerical order .



5 Using your refrigerator

Setting the operating temperature



The operating temperature is regulated by the temperature control.

1 = Lowest cooling setting (Warmest setting)

MAX. = Highest cooling setting (Coldest setting)

* Additionally activities quick fridge function .

Please choose the setting according to the desired temperature.

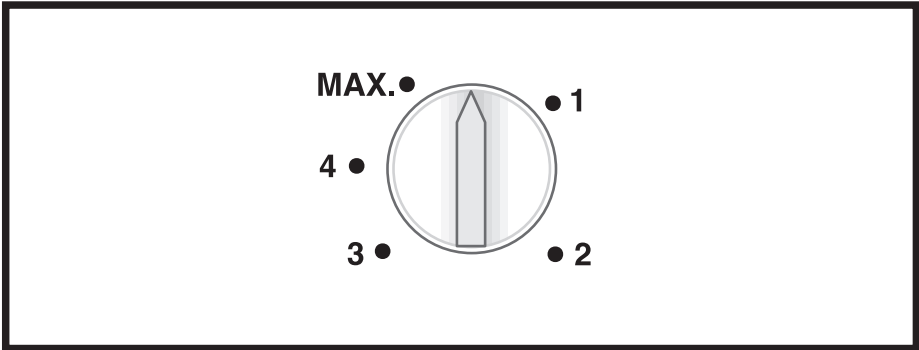
The interior temperature also depends on ambient temperature, the frequency with which the door is opened and the amount of foods kept inside.

Frequently opening the door causes the interior temperature to rise.

For this reason, it is recommended to close the door again as soon as possible after use.

The normal storage temperature of your appliance should be $-18\text{ }^{\circ}\text{C}$ ($0\text{ }^{\circ}\text{F}$). Lower temperatures can be obtained by adjusting the thermostat knob towards Position MAX.

We recommend checking the temperature with a thermometer to ensure that the storage compartments are kept to the desired temperature. Remember to take the reading immediately since the thermometer temperature will rise very rapidly after you remove it from the freezer.



Thermostat knob

The thermostat knob is located on the top trim.

Important:

When you press the fast-freeze switch or adjust the set temperature, there may be a short delay before the compressor starts to operate. This is normal and not a compressor fault.

Freezing

Freezing food

You can use the appliance for freezing fresh food as well as for storing pre-frozen food.

Please refer to the recommendations given on the packaging of your food.

- **Attention**

Do not freeze fizzy drinks, as the bottle may burst when the liquid in it is frozen.

Be careful with frozen products such as coloured ice-cubes.

Do not exceed the freezing capacity of your appliance in 24 hours. See the rating label.

In order to maintain the quality of the food, the freezing must be effected as rapidly as possible.

Thus, the freezing capacity will not be exceeded, and the temperature inside the freezer will not rise.

- **Attention**

Keep the already deep-frozen food always separated with freshly placed food.

When deep-freezing hot food, the cooling compressor will work until the food is completely frozen. This can temporarily cause excessive cooling of the refrigeration compartment.

If you find the freezer door difficult to open just after you have closed it, don't worry. This is due to the pressure difference which will equalize and allow the door to open normally after a few minutes.

You will hear a vacuum sound just after closing the door. This is quite normal.

Fast freeze

If large amounts of fresh food are going to be frozen, adjust the control knob to max. 24 hours before putting the fresh food in the fast freeze compartment.

It is strongly recommended to keep the knob at MAX. position at least 24 hours to freeze maximum amount of fresh food declared as freezing capacity. Take special care not to mix frozen food and fresh food.

Remember to turn the thermostat knob back to its previous position once food has frozen.

Door Open Warning

(This feature is optional)

An audio warning signal will be given when the door of your product is left open for at least 1 minute. This warning will be muted when the door is closed or any of the display buttons (if any) are pressed.

Freezing fresh food

- It must be preferred to wrap or cover the food before placing them in the refrigerator.
 - Hot food must cool down to the room temperature before putting them in the refrigerator.
 - The foodstuff that you want to freeze must be fresh and in good quality.
 - Foodstuff must be divided into portions according to the family's daily or meal based consumption needs.
 - The foodstuff must be packaged in an airtight manner to prevent them from drying even if they are going to be kept for a short time.
 - Materials to be used for packaging must be tear-proof and resistant to cold, humidity, odor, oils and acids and they must also be airtight. Moreover, they must be well closed and they must be made from easy-to-use materials that are suitable for deep freeze usage.
 - Frozen food must be used immediately after they are thawed and they should never be re-frozen.
 - Please observe the following instructions to obtain the best results.
1. Do not freeze too large quantities of food at one time. The quality of the food is best preserved when it is frozen right through to the core as quickly as possible.
 2. Placing warm food into the freezer compartment causes the cooling system to operate continuously until the food is frozen solid.

3. Take special care not to mix already frozen food and fresh food.

Recommendations for preservation of frozen food

- Prepacked commercially frozen food should be stored in accordance with the frozen food manufacturer's instructions for a **★ ★ ★ ★** (4 star) frozen food storage compartment.
- To ensure that the high quality achieved by the frozen food manufacturer and the food retailer is maintained, the following should be remembered:
 1. Put packages in the freezer as quickly as possible after purchase.
 2. Ensure that contents are labeled and dated.
 3. Do not exceed "Use By", "Best Before" dates on the packaging.

Defrosting

The freezer compartment defrosts automatically.

Placing the food

| | |
|-----------------------------|--|
| Freezer compartment shelves | Various frozen food such as meat, fish, ice cream, vegetables and etc. |
| Egg tray | Egg |
| Fridge compartment shelves | Food in pans, covered plates and closed containers |

| | |
|---------------------------------|--|
| Fridge compartment door shelves | Small and packaged food or drinks (such as milk, fruit juice and beer) |
| Crisper | Vegetables and fruits |
| Freshzone compartment | Delicatessen products (cheese, butter, salami and etc.) |

Materials to be used for packaging the foodstuff must be tear-proof and resistant to cold, humidity, odor, oils and acids.

Foodstuff to be frozen should not be allowed to come in contact with the previously frozen items to prevent their partial thawing.

Frozen food must be used immediately after they are thawed and they should never be re-frozen.

Deep-freeze information

Food must be frozen as rapidly as possible when they are put in a refrigerator in order to keep them in good quality.

It is possible to keep the food for a long time only at -18°C or lower temperatures.

You can keep the freshness of food for many months (at -18°C or lower temperatures in the deep freeze).

WARNING! ⚠

- Foodstuff must be divided into portions according to the family's daily or meal based consumption needs.
- Foodstuff must be packaged in an airtight manner to prevent them from drying even if they are going to be kept for a short time.
- Materials necessary for packaging:
- Cold resistant adhesive tape
- Self adhesive label
- Rubber rings
- Pen

- Active "quick freeze function" at least 24 hour before loading fresh food.

- Put 2 pcs ice packs (if available) inside the bottom drawer.

- Place fresh food on the shelves of 2nd & 3rd from the bottom. (maximum capacity can be achieved by removing the drawers)

6 Maintenance and cleaning

- ⚠ Never use gasoline, benzene or similar substances for cleaning purposes.
- ⚠ We recommend that you unplug the appliance before cleaning.
- ⚠ Never use any sharp abrasive instrument, soap, household cleaner, detergent and wax polish for cleaning.
- ℹ Use lukewarm water to clean the cabinet of your refrigerator and wipe it dry.
- ℹ Use a damp cloth wrung out in a solution of one teaspoon of bicarbonate of soda to one pint of water to clean the interior and wipe it dry.
- ⚠ Make sure that no water enters the lamp housing and other electrical items.
- ⚠ If your refrigerator is not going to be used for a long period of time, unplug the power cable, remove all food, clean it and leave the door ajar.
- ℹ Check door seals regularly to ensure they are clean and free from food particles.
- ⚠ To remove door racks, remove all the contents and then simply push the door rack upwards from the base.
- ⚠ Never use cleaning agents or water that contain chlorine to clean the outer surfaces and chromium coated parts of the product. Chlorine causes corrosion on such metal surfaces.

- ⚠ Do not use sharp, abrasive tools, soap, household cleaning agents, detergents, kerosene, fuel oil, varnish etc. to prevent removal and deformation of the prints on the plastic part. Use lukewarm water and a soft cloth for cleaning and then wipe it dry.

Protection of plastic surfaces

- ℹ Do not put the liquid oils or oil-cooked meals in your refrigerator in unsealed containers as they damage the plastic surfaces of your refrigerator. In case of spilling or smearing oil on the plastic surfaces, clean and rinse the relevant part of the surface at once with warm water.

7 Troubleshooting

Please review this list before calling the service. It will save your time and money. This list includes frequent complaints that are not arising from defective workmanship or material usage. Some of the features described here may not exist in your product.

The refrigerator does not operate.

- The plug is not inserted into the socket correctly. >>> Insert the plug into the socket securely.
- The fuse of the socket which your refrigerator is connected to or the main fuse have blown out. >>> Check the fuse.

Condensation on the side wall of the fridge compartment (MULTIZONE, COOL CONTROL and FLEXI ZONE).

- Door has been opened frequently. >>> Do not open and close the door of refrigerator frequently.
- Ambient is very humid. >>> Do not install your refrigerator into highly humid places.
- Food containing liquid is stored in open containers. >>> Do not store food with liquid content in open containers.
- Door of the refrigerator is left ajar. >>> Close the door of the refrigerator.
- Thermostat is set to a very cold level. >>> Set the thermostat to a suitable level.

Compressor is not running

- Protective thermic of the compressor will blow out during sudden power failures or plug-out plug-ins as the refrigerant pressure in the cooling system of the refrigerator has not been balanced yet. The refrigerator will start running approximately after 6 minutes. Please call the service if the refrigerator does not startup at the end of this period.
- The fridge is in defrost cycle. >>> This is normal for a full-automatically defrosting refrigerator. Defrosting cycle occurs periodically.
- The refrigerator is not plugged into the socket. >>> Make sure that the plug is fit into the socket.
- Temperature settings are not made correctly. >>> Select the suitable temperature value.
- There is a power outage. >>> Refrigerator returns to normal operation when the power restores.

| |
|--|
| The operation noise increases when the refrigerator is running. |
| <ul style="list-style-type: none"> The operating performance of the refrigerator may change due to the changes in the ambient temperature. It is normal and not a fault. |
| The refrigerator is running frequently or for a long time. |
| <ul style="list-style-type: none"> New product may be wider than the previous one. Larger refrigerators operate for a longer period of time. The room temperature may be high. >>> It is normal that the product operates for longer periods in hot ambient. The refrigerator might be plugged in recently or might be loaded with food. >>> When the refrigerator is plugged in or loaded with food recently, it will take longer for it to attain the set temperature. This is normal. Large amounts of hot food might be put in the refrigerator recently. >>> Do not put hot food into the refrigerator. Doors might be opened frequently or left ajar for a long time. >>> The warm air that has entered into the refrigerator causes the refrigerator to run for longer periods. Do not open the doors frequently. Freezer or fridge compartment door might be left ajar. >>> Check if the doors are closed completely. The refrigerator is adjusted to a very low temperature. >>> Adjust the refrigerator temperature to a warmer degree and wait until the temperature is achieved. Door seal of the fridge or freezer may be soiled, worn out, broken or not properly seated. >>> Clean or replace the seal. Damaged/broken seal causes the refrigerator to run for a longer period of time in order to maintain the current temperature. |
| Freezer temperature is very low while the fridge temperature is sufficient. |
| <ul style="list-style-type: none"> The freezer temperature is adjusted to a very low value. >>> Adjust the freezer temperature to a warmer degree and check. |
| Fridge temperature is very low while the freezer temperature is sufficient. |
| <ul style="list-style-type: none"> The fridge temperature is adjusted to a very low value. >>> Adjust the fridge temperature to a warmer degree and check. |
| Food kept in the fridge compartment drawers is frozen. |
| <ul style="list-style-type: none"> The fridge temperature is adjusted to a very high value. >>> Adjust the fridge temperature to a lower value and check. |

Temperature in the fridge or freezer is very high.

- The fridge temperature is adjusted to a very high value. >>>Fridge compartment temperature setting has an effect on the temperature of the freezer. Change the temperatures of the fridge or freezer and wait until the relevant compartments attain a sufficient temperature.
- Doors are opened frequently or left ajar for a long time. >>>Do not open the doors frequently.
- Door is ajar. >>>Close the door completely.
- The refrigerator is plugged in or loaded with food recently. >>>This is normal. When the refrigerator is plugged in or loaded with food recently, it will take longer for it to attain the set temperature.
- Large amounts of hot food might be put in the refrigerator recently. >>>Do not put hot food into the refrigerator.

Vibrations or noise.

- The floor is not level or stable. >>> If the refrigerator rocks when moved slowly, balance it by adjusting its feet. Also make sure that the floor is strong enough to carry the refrigerator, and level.
- The items put onto the refrigerator may cause noise. >>>Remove the items on top of the refrigerator.

There are noises coming from the refrigerator like liquid flowing, spraying, etc.

- Liquid and gas flows occur in accordance with the operating principles of your refrigerator. It is normal and not a fault.

Whistle comes from the refrigerator.

- Fans are used in order to cool the refrigerator. It is normal and not a fault.

Condensation on the inner walls of refrigerator.

- Hot and humid weather increases icing and condensation. It is normal and not a fault.
- Doors are opened frequently or left ajar for a long time. >>>Do not open the doors frequently. Close them if they are open.
- Door is ajar. >>>Close the door completely.

Humidity occurs on the outside of the refrigerator or between the doors.

- There might be humidity in the air; this is quite normal in humid weather. When the humidity is less, condensation will disappear.

Bad odour inside the refrigerator.

- No regular cleaning is performed. >>> Clean the inside of the refrigerator regularly with a sponge, lukewarm water or carbonate dissolved in water.
- Some containers or package materials may cause the smell. >>> Use a different container or different brand packaging material.
- Food is put into the refrigerator in uncovered containers. >>> Keep the food in closed containers. Microorganisms spreading out from uncovered containers can cause unpleasant odours.
- Remove the foods that have expired best before dates and spoiled from the refrigerator.

The door is not closing.

- Food packages are preventing the door from closing. >>> Replace the packages that are obstructing the door.
- The refrigerator is not completely even on the floor. >>> Adjust the feet to balance the refrigerator.
- The floor is not level or strong. >>> Make sure that the floor is level and capable to carry the refrigerator.

Crispers are stuck.

- The food is touching the ceiling of the drawer. >>> Rearrange food in the drawer.

Veillez commencer par lire ce manuel d'utilisation!

Cher client,

Nous espérons que votre produit, qui a été fabriqué dans des usines modernes et vérifié au terme des procédures de contrôle de qualité les plus méticuleuses, vous donnera entière satisfaction.

Veillez donc lire attentivement l'intégralité de ce manuel avant de commencer à utiliser le produit et conservez-le manuel comme référence. Si vous remettez cet appareil à quelqu'un d'autre, remettez-lui également le manuel d'utilisation.

Ce manuel vous aidera à utiliser votre produit en toute sécurité et efficacement.

- Lisez le manuel avant d'installer et de faire fonctionner votre produit.
- Veillez à lire les instructions de sécurité.
- Laissez ce manuel dans un endroit facile d'accès car vous pourriez en avoir besoin ultérieurement.
- Lisez également la documentation fournie avec le produit.

N'oubliez pas que le manuel d'utilisation est également valable pour plusieurs autres modèles. Les différences entre les différents modèles seront identifiées dans le manuel.

Explication des symboles

Les symboles ci-dessous sont utilisés dans le manuel d'utilisation:

 Informations importantes ou astuces.

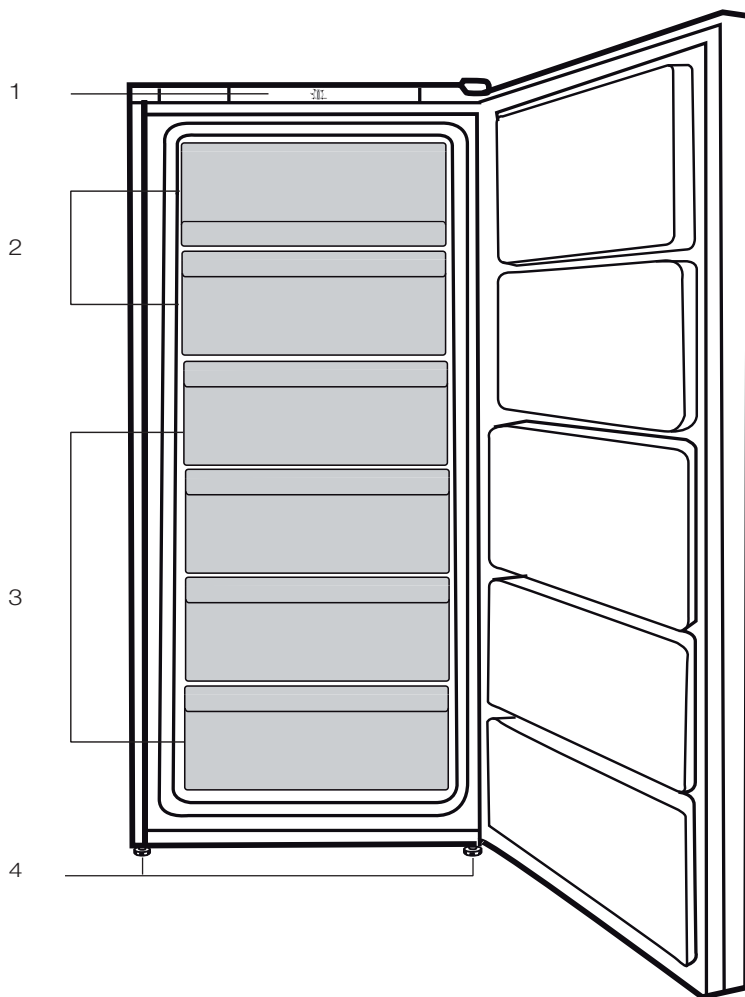
 Avertissement relatif aux situations dangereuses pour la vie et la propriété.

 Avertissement relatif à la tension électrique.

TABLE DES MATIÈRES

| | | | |
|---|-----------|--|-----------|
| 1 Votre congélateur | 4 | 4 Préparation | 17 |
| 2 Précautions de sécurité importantes | 5 | Réversibilité des portes | 19 |
| Utilisation préconisée | 5 | 5 Utilisation du congélateur | 20 |
| Sécurité générale..... | 5 | Réglage de la température de fonctionnement..... | 20 |
| Pour les appareils dotés d'une fontaine à eau..... | 11 | Congélation..... | 21 |
| Sécurité enfants..... | 11 | Alarme porte ouverte | 22 |
| Conformité avec la réglementation DEEE et mise au rebut des déchets. | 12 | Système de réfrigération NeoFrost :23 | |
| Informations relatives à l'emballage | 12 | Congélation des produits frais..... | 23 |
| Avertissement HC | 12 | Recommandations concernant la conservation des aliments congelés | 23 |
| Mesures d'économie d'énergie | 13 | Disposition des aliments..... | 24 |
| 3 Installation | 14 | Informations concernant la congélation..... | 24 |
| Éléments à prendre en considération lors du déplacement de votre congélateur..... | 14 | 6 Entretien et nettoyage | 26 |
| Avant de mettre votre congélateur en marche..... | 14 | Protection des surfaces en plastique. | 26 |
| Branchement électrique | 15 | 7 Dépannage | 27 |
| Mise au rebut de l'emballage | 15 | | |
| Mise au rebut de votre ancien congélateur..... | 15 | | |
| Disposition et Installation..... | 16 | | |
| Réglage des pieds | 16 | | |

1 Votre congélateur



1. Ventilateur
2. Déflecteur (compartiment Congélation Rapide)
3. Tiroirs
4. Pieds avant réglables

i Les illustrations présentées dans cette notice d'utilisation sont schématiques et peuvent ne pas correspondre exactement à votre produit. Si des pièces présentées ne sont pas comprises dans le produit que vous avez acheté, elles sont valables pour d'autres modèles.

2 Précautions de sécurité importantes

Veillez examiner les informations suivantes :

Cet appareil peut être utilisé par des enfants âgés d'au moins 8 ans et par des personnes ayant des capacités physiques, sensorielles ou mentales réduites ou dénuées d'expérience ou de connaissance, s'ils (si elles) sont correctement surveillé(e)s ou si des instructions relatives à l'utilisation de l'appareil en toute sécurité leur ont été données et si les risques encourus ont été appréhendés. Les enfants ne doivent pas jouer avec l'appareil. Le nettoyage et l'entretien par l'utilisateur ne doivent pas être effectués par des enfants sans surveillance.

Le non respect de ces consignes peut entraîner des blessures ou dommages matériels. Sinon, tout engagement lié à la garantie et à la fiabilité du produit devient invalide.

Les pièces détachées d'origine sont disponibles pendant 10 ans, à compter de la date d'achat du produit.

Utilisation préconisée

- Ce produit est prévu pour une utilisation
- en intérieur et dans des zones fermées telles que les maisons ;
 - dans les environnements de travail fermés, tels que les magasins et les bureaux ;
 - dans les lieux d'hébergement fermés, tels que les fermes, hôtels, pensions.
 - Il ne doit pas être utilisé en extérieur.

Sécurité générale

- Si le cordon d'alimentation est endommagé, celui-ci doit être remplacé par le fabricant, ses agents agréés ou tout autre agent qualifié afin d'être à l'abri de tout danger.

- Avant de vous débarrasser de votre appareil, veuillez consulter les autorités locales ou votre revendeur pour connaître le mode opératoire et les organismes de collecte agréés.
- Consultez le service après-vente agréé concernant toutes questions ou problèmes relatifs au congélateur. N'intervenez pas ou ne laissez personne intervenir sur le congélateur sans le communiquer au service après-vente agréé.
- Pour les produits équipés d'un compartiment congélateur : ne mangez pas de cônes de crème glacée ou des glaçons immédiatement après les avoir sortis du compartiment de congélation ! (Cela pourrait provoquer des engelures dans votre bouche).
- Pour les produits équipés d'un compartiment congélateur : ne placez pas de boissons en bouteille ou en cannette dans le compartiment de congélation. Cela peut entraîner leur éclatement.
- Ne touchez pas des produits congelés avec les mains, ils pourraient se coller à celles-ci.
- Débranchez votre congélateur avant de le nettoyer ou de le dégivrer.
- La vapeur et des matériaux de nettoyage pulvérisés ne doivent jamais être utilisés pour les processus de nettoyage ou de dégivrage de votre congélateur. La vapeur pourrait pénétrer dans les pièces électriques et provoquer des courts-circuits ou des électrocutions.
- Ne jamais utiliser les pièces de votre congélateur telles que la porte, comme un support ou une marche.

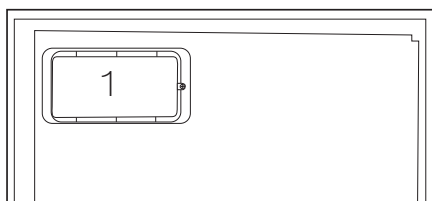
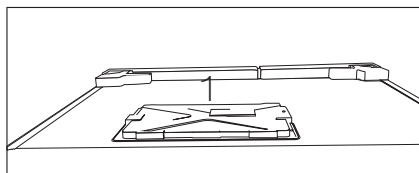
- N'utilisez pas d'appareils électriques à l'intérieur du congélateur.
- N'endommagez pas les pièces où circule le liquide réfrigérant avec des outils de forage ou coupants. Le liquide réfrigérant qui pourrait s'échapper si les canalisations de gaz de l'évaporateur, les rallonges de tuyau ou les revêtements de surface étaient percés, cela pourrait irriter la peau et provoquer des blessures aux yeux.
- Ne pas couvrir ou obstruer les orifices de ventilation du congélateur.
- Les appareils électriques peuvent être réparés seulement par des personnes autorisées. Les réparations réalisées par des personnes ne présentant pas les compétences requises peuvent présenter un risque pour l'utilisateur.
- En cas de dysfonctionnement ou lors d'opérations d'entretien ou de réparation, débranchez l'alimentation électrique du congélateur soit en désactivant le fusible correspondant, soit en débranchant l'appareil.
- Assurez-vous que les boissons comportant un taux d'alcool très élevé sont conservées en sécurité avec leur couvercle fixé et placées en position verticale.
- Placez les boissons alcoolisées verticalement, dans des récipients convenablement fermés.
- Ne conservez jamais des aérosols contenant des substances inflammables et explosives dans le congélateur.
- N'utilisez pas d'outils mécaniques ou autres dispositifs pour accélérer le processus de décongélation autres

- que ceux qui sont recommandés par le fabricant.
- Ce produit n'est pas conçu pour être utilisé par des personnes (enfants compris) souffrant de déficience physique, sensorielle, mentale, ou inexpérimentées, à moins d'avoir obtenu une autorisation auprès des personnes responsables de leur sécurité.
 - Ne faites pas fonctionner un congélateur endommagé. Consultez le service agréé en cas de problème.
 - La sécurité électrique du congélateur n'est assurée que si le système de mise à la terre de votre domicile est conforme aux normes en vigueur.
 - L'exposition du produit à la pluie, la neige, au soleil ou au vent présente des risques concernant la sécurité électrique.
 - Contactez le service agréé quand un câble d'alimentation est endommagé pour éviter tout danger.
 - Ne branchez jamais le congélateur à la prise murale au cours de l'installation. Vous vous exposeriez à un risque de mort ou à de blessures graves.
 - Ce congélateur est conçu seulement pour conserver des aliments. Par conséquent, il ne doit pas être utilisé à d'autres fins.
 - L'étiquette avec les caractéristiques techniques est située sur la paroi gauche à l'intérieur du congélateur.
 - Ne branchez jamais votre congélateur à des systèmes d'économie d'énergie, cela peut l'endommager.
 - S'il y a une lumière bleue sur le congélateur, ne la regardez ni avec vos yeux nus, ni avec des outils optiques pendant

longtemps.

- Pour les congélateurs contrôlés manuellement, attendez au moins 5 minutes pour allumer le congélateur après une coupure de courant.
- Si cet appareil venait à changer de propriétaire, n'oubliez pas de remettre la présente notice d'utilisation au nouveau bénéficiaire.
- Évitez d'endommager le câble d'alimentation quand vous transportez le congélateur. Tordre le câble peut entraîner un incendie. Ne placez jamais d'objets lourds sur le câble d'alimentation.
- Évitez de toucher à la prise avec des mains mouillées au moment de brancher l'appareil.
- Évitez de brancher le congélateur lorsque la prise de courant électrique a lâché.
- Pour des raisons de sécurité, évitez de pulvériser directement de l'eau sur les parties externes et internes du congélateur.
- Ne pulvérisez pas de substances contenant des gaz inflammables comme du propane près du congélateur pour éviter tout risque d'incendie et d'explosion.
- Ne placez jamais de récipients contenant de l'eau sur votre congélateur, ils pourraient causer des chocs électriques ou un incendie.
- Évitez de surcharger le congélateur avec une quantité excessive d'aliments. S'il est surchargé, les aliments peuvent tomber, vous blesser et endommager le congélateur quand vous ouvrez la porte.
- Ne placez jamais d'objets au-dessus du congélateur, ils pourraient tomber quand vous ouvrez ou fermez la porte du congélateur.

- Les produits qui nécessitent un contrôle de température précis (vaccin, médicament sensible à la chaleur, matériels scientifiques, etc.) ne doivent pas être conservés dans le congélateur.
- Si le congélateur n'est pas utilisé pendant longtemps, il doit être débranché. Un problème avec le câble d'alimentation pourrait causer un incendie.
- Le bout de la prise électrique doit être nettoyé régulièrement à l'aide d'un chiffon sec, sinon il peut provoquer un incendie.
- Le congélateur peut bouger si ses pieds réglables ne sont pas bien fixés sur le sol. Bien fixer les pieds réglables sur le sol peut empêcher le congélateur de bouger.
- Quand vous transportez le congélateur, ne le tenez pas par la poignée de la porte. Cela peut le casser.
- Quand vous devez placer votre produit près d'un autre congélateur ou congélateur, la distance entre les appareils doit être d'au moins 8 cm. Sinon, les murs adjacents peuvent être humidifiés.
- Ne jamais utiliser le produit si la section située dans sa partie supérieure ou inférieure avec cartes de circuits imprimés électroniques à l'intérieur est ouverte (couvercle de cartes de circuits imprimés électroniques) (1).



Pour les appareils dotés d'une fontaine à eau

- La pression de l'eau froide à l'entrée ne doit pas excéder 90 psi (6.2 bar). Si votre pression d'eau dépasse 80 psi (5,5 bar), utilisez une soupape de limitation de pression sur votre réseau de conduite. Si vous ne savez pas comment vérifiez la pression de l'eau, demandez l'assistance d'un plombier professionnel.
- S'il existe un risque d'effet coup de bélier sur votre installation, utilisez systématiquement un équipement de protection contre l'effet coup de bélier sur celle-ci. Consultez des plombiers professionnels si vous n'êtes pas sûr de la présence de cet effet sur votre installation.

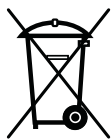
- Ne l'installez pas sur l'entrée d'eau chaude. Prenez des précautions contre le risque de congélation des tuyaux. L'intervalle de fonctionnement de la température des eaux doit être de 33 F (0,6°C) au moins et de 100 F (38 C) au plus.
- Utilisez uniquement de l'eau potable.

Sécurité enfants

- Si la porte a un verrouillage, la clé doit rester hors de portée des enfants.
- Les enfants doivent être surveillés et empêchés de s'amuser avec le produit.

Conformité avec la réglementation DEEE et mise au rebut des déchets

Ce produit ne contient pas de matériaux dangereux et interdits décrits dans la « Réglementation sur le contrôle des déchets d'équipements électriques et électroniques » publié par le Ministère de l'Environnement et de l'Urbanisme. Conforme avec la réglementation DEEE.



Le présent produit a été fabriqué avec des pièces et du matériel de qualité supérieure susceptibles d'être réutilisés et adaptés au recyclage. Par conséquent, nous vous conseillons de ne pas le mettre au rebut aux côtés des ordures ménagères à la fin de sa durée de vie. Au contraire, rendez-vous dans un point de collecte pour le recyclage de tout matériel électrique et électronique. Veuillez vous rapprocher des autorités de votre localité pour plus d'informations concernant le point de collecte le plus proche. Aidez-nous à protéger l'environnement et les ressources naturelles en recyclant les produits usagés. Pour la sécurité des enfants, coupez le câble d'alimentation et le mécanisme de verrouillage de la porte, le cas échéant. Ce faisant, vous rendez l'appareil inopérant avant sa mise au rebut.

Informations relatives à l'emballage

Les matériaux d'emballage de cet appareil sont fabriqués à partir de matériaux recyclables, conformément à nos Réglementations Nationales en Environnement. Ne mélangez pas les matériaux d'emballage avec les déchets domestiques ou d'autres déchets. Amenez-les aux points de collecte des matériaux d'emballage, désignés par les autorités locales.

N'oubliez pas...

Pour la préservation de la nature et de notre santé, il est indispensable de recycler les matières.

Si vous voulez contribuer au recyclage des matériaux d'emballage, vous pouvez vous renseigner auprès d'organisations environnementales ou de l'autorité locale proche de votre domicile.

Avertissement HC

Si le système de refroidissement de votre appareil contient R600a :

Ce gaz est inflammable. Par conséquent, veuillez prendre garde à ne pas endommager le système de refroidissement et les tuyauteries lors de son utilisation ou de son transport. En cas de dommages, éloignez votre produit de toute source potentielle de flammes susceptible de provoquer l'incendie de l'appareil. De même, placez le produit dans une pièce aérée.

Ne tenez pas compte de cet avertissement si le système de refroidissement de votre appareil contient R134a.

Le type de gaz utilisé dans l'appareil est mentionné sur la plaque signalétique située sur la paroi gauche de l'intérieur du congélateur.

Ne jetez jamais l'appareil au feu pour vous en débarrasser.

Mesures d'économie d'énergie

- Ne laissez pas les portes du congélateur ouvertes pendant une durée prolongée.
- N'introduisez pas de denrées ou de boissons chaudes dans le congélateur.
- Ne surchargez pas le congélateur pour ne pas obstruer pas la circulation d'air à l'intérieur.
- N'installez pas le congélateur à la lumière directe du soleil ou près d'appareil émettant de la chaleur tels qu'un four, un lave-vaisselle ou un radiateur. Maintenez une distance d'au moins 30 cm entre votre congélateur et toute source de chaleur, et à une distance de 5cm d'un four électrique.
- Veillez à conserver vos denrées dans des récipients fermés.
- Pour les produits équipés d'un compartiment congélateur : vous pouvez conserver une quantité maximale d'aliments dans le congélateur quand vous enlevez l'étagère ou le tiroir du congélateur. La consommation d'énergie précisée pour votre congélateur a été déterminée en enlevant l'étagère ou le tiroir du congélateur et avec la charge maximale. Il n'y aucun risque à utiliser une étagère ou un tiroir en fonction des formes et tailles des denrées à congeler.
- La décongélation des aliments dans le compartiment congélateur permet de faire des économies d'énergie et de préserver la qualité des aliments.

3 Installation

⚠ AVERTISSEMENT:

Dans l'hypothèse ou l'information contenue dans ce manuel n'a pas été prise en compte par l'utilisateur, le fabricant ne sera aucunement responsable en cas de problèmes.

Éléments à prendre en considération lors du déplacement de votre congélateur

1. Votre congélateur doit être débranché. Avant le transport de votre congélateur, vous devez le vider et le nettoyer. Avant d'emballer votre congélateur, vous devez fixer ses étagères, bac, accessoires, etc, avec du ruban adhésif afin de les protéger contre les chocs.
1. L'emballage doit être solidement attaché avec du ruban adhésif épais ou avec un cordage solide. La réglementation en matière de transport et de marquage de l'emballage doit être strictement respectée.
2. L'emballage et les matériaux de protection d'emballage doivent être conservés pour les éventuels transports ou déplacements à venir.

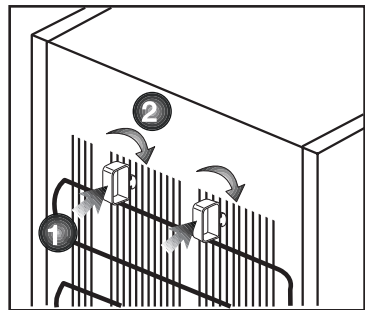
Avant de mettre votre congélateur en marche

Vérifiez les points suivants avant de commencer à utiliser votre congélateur

1. Fixez les câles en plastique tel qu'indiqué sur le schéma ci-dessous. Les câles en plastique servent à maintenir une distance permettant

la circulation de l'air entre le congélateur et le mur. (Cette image n'est donnée qu'à titre indicatif ; elle n'est pas identique à votre produit.)

2. Vous pouvez installer les 2 cales en plastique comme illustré dans le schéma. Les cales en plastique maintiendront la distance nécessaire entre votre Congélateur / congélateur et le mur pour



permettre une bonne circulation de l'air. (Le schéma présenté est fourni à titre indicatif et peut ne pas correspondre exactement avec votre produit.)

3. Nettoyez l'intérieur du congélateur tel qu'indiqué dans la section « Entretien et nettoyage ».
4. Insérez la prise du congélateur dans la prise murale. Lorsque la porte du congélateur est ouverte, la lampe interne du congélateur s'éclaire.
5. Lorsque le compresseur commence à fonctionner, il émettra un son. Le liquide et les gaz intégrés au système du congélateur peuvent également faire du bruit, que le compresseur soit en marche ou non. Ceci est tout à fait normal.

6. Les parties antérieures du congélateur peuvent chauffer. Ce phénomène est normal. Ces zones doivent en principe être chaudes pour éviter tout risque de condensation.

Branchement électrique

Branchez votre congélateur à une prise électrique protégée par un fusible ayant une capacité appropriée. Important :

- Le branchement doit être conforme aux normes en vigueur sur le territoire national.
- La fiche du câble d'alimentation doit être facilement accessible après installation.
- La sécurité électrique du congélateur n'est assurée que si le système de mise à la terre de votre domicile est conforme aux normes en vigueur.
- La tension indiquée sur l'étiquette située sur la paroi gauche interne de votre produit doit correspondre à celle fournie par votre réseau électrique.
- **Les rallonges et prises multivoies ne doivent pas être utilisés pour brancher l'appareil.**

AVERTISSEMENT:

Un câble d'alimentation endommagé doit être remplacé par un électricien qualifié.

AVERTISSEMENT:

L'appareil ne doit pas être mis en service avant d'être réparé! Cette précaution permet d'éviter tout risque de choc électrique!

Mise au rebut de l'emballage

Les matériaux d'emballage peuvent être dangereux pour les enfants. Tenez les matériaux d'emballage hors de portée des enfants ou jetez-les conformément aux consignes établies par les autorités locales en matière de déchets. Ne les jetez pas avec les déchets domestiques, déposez-les dans les centres de collecte désignés par les autorités locales.

L'emballage de votre appareil est produit à partir de matériaux recyclables.

Mise au rebut de votre ancien congélateur

Débarrassez-vous de votre ancien congélateur sans nuire à l'environnement.

- Vous pouvez consulter le service après-vente agréé ou le centre chargé de la mise au rebut dans votre municipalité pour en savoir plus sur la mise au rebut de votre produit.

Avant de procéder à la mise au rebut de votre machine, coupez la prise électrique et, le cas échéant, tout verrouillage susceptible de se trouver sur la porte. Rendez-les inopérants afin de ne pas exposer les enfants à d'éventuels dangers.

Disposition et Installation

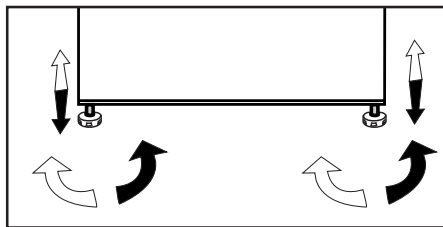
⚠ AVERTISSEMENT:

Si la porte d'entrée de la pièce où sera installé le congélateur n'est pas assez large pour laisser passer le congélateur, appelez le service après-vente qui retirera les portes du congélateur et le fera entrer latéralement dans la pièce.

1. Installez le congélateur dans un emplacement qui permette une utilisation pratique.
2. Maintenez le congélateur éloigné de toutes sources de chaleur, des endroits humides et de la lumière directe du soleil.
3. Une ventilation d'air autour du congélateur doit être aménagée pour obtenir un fonctionnement efficace. Si le congélateur est placé dans un enfoncement du mur, il doit y avoir un espace d'au moins 5 cm avec le plafond et d'au moins 5 cm avec le mur. Ne placez pas l'appareil sur des revêtements tels qu'un tapis ou de la moquette.
4. Placez le congélateur sur une surface plane afin d'éviter les à-coups.

Réglage des pieds

Si le réfrigérateur n'est pas stable. Vous pouvez équilibrer le réfrigérateur en tournant les pieds avant, tel qu'illustré sur le schéma. Le côté où se trouve le pied s'abaisse lorsque vous tournez dans le sens de la flèche noire, et s'élève lorsque vous tournez dans le sens opposé. Si vous vous faites aider par quelqu'un pour légèrement soulever le réfrigérateur, l'opération s'en trouvera simplifiée.



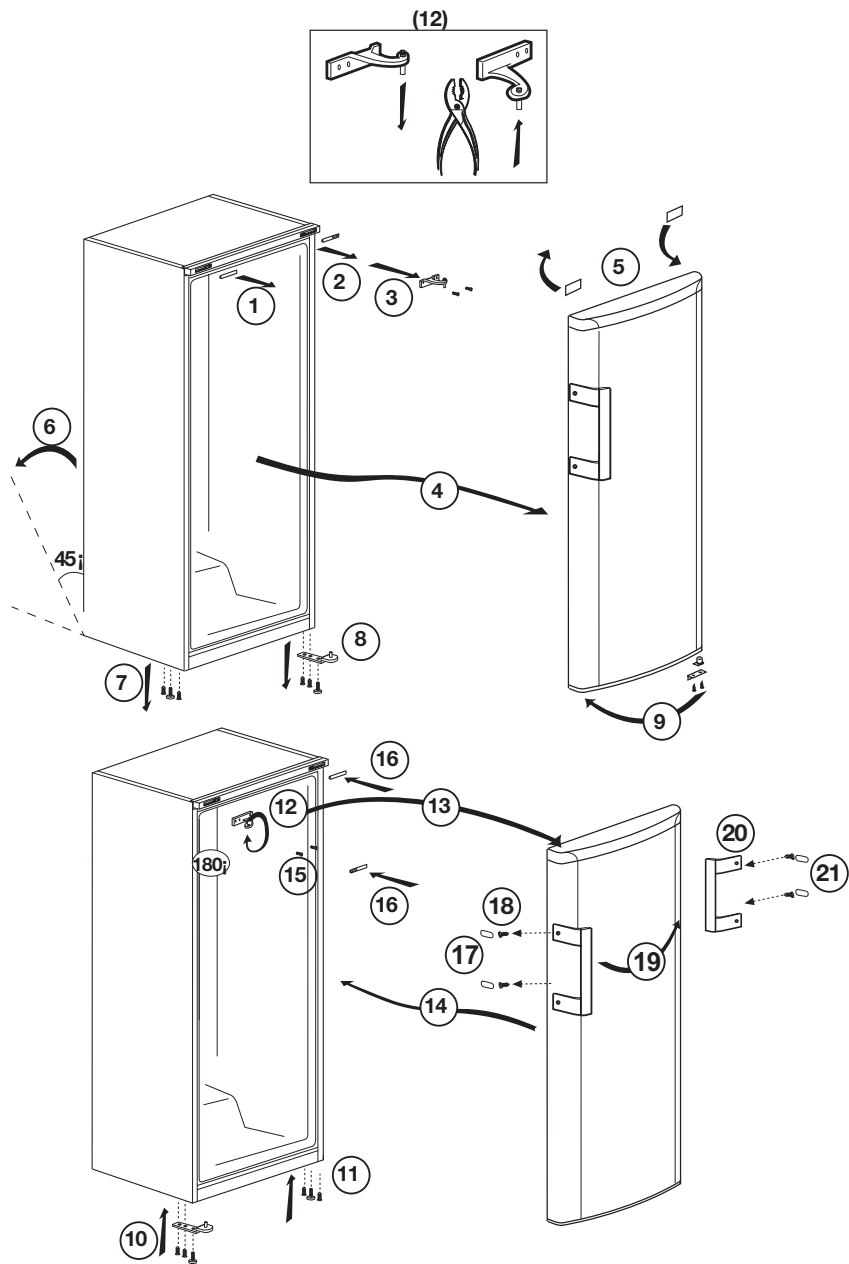
4 Préparation

- Votre congélateur doit être installé à au moins 30 cm des sources de chaleur telles que les plaques de cuisson, les fours, appareils de chauffage ou cuisinières, et à au moins 5 cm des fours électriques. De même, il ne doit pas être exposé à la lumière directe du soleil.
- Pour économiser de l'énergie, il est recommandé de poser l'accumulateur de glaces directement sur les aliments, au-dessus du compartiment supérieur.
- Veuillez vous assurer que l'intérieur de votre appareil est soigneusement nettoyé.
- Si deux congélateurs sont installés côte à côte, ils doivent être séparés par au moins 2 cm.
- Lorsque vous faites fonctionner le congélateur pour la première fois, assurez-vous de suivre les instructions suivantes pendant les six premières heures.
- La porte ne doit pas être ouverte fréquemment.
- Le congélateur doit fonctionner à vide, sans denrées à l'intérieur.
- Ne débranchez pas le congélateur. Si une panne de courant se produit, veuillez vous reporter aux avertissements dans la section « Solutions recommandées aux problèmes ».
- L'emballage et les matériaux de protection d'emballage doivent être conservés pour les éventuels transports ou déplacements à venir.
- Cet appareil a été conçu pour fonctionner à des températures spécifiées. Il est par ailleurs doté d'un système de commande de température électronique avancé [AETCS] qui veille à ce qu'au réglage conseillé [4 - quatre sur le bouton] l'aliment congelé dans le congélateur ne se dégivre pas même si la température ambiante chute jusqu'à -15 °C. Lorsqu'il est installé pour la première fois, veillez à ce que l'appareil NE soit PAS dans une température ambiante faible parce que le congélateur ne réduira pas sa température de fonctionnement standard. Vous pouvez lui changer d'emplacement une fois qu'il a atteint son état de fonctionnement régulier. Vous pouvez alors l'installer dans un garage ou dans une pièce non chauffée sans craindre que les denrées qui se trouvent dans le congélateur ne s'abîment. Cependant, lorsque le congélateur fonctionne avec les faibles températures ambiantes mentionnées ci-dessus, son contenu est susceptible de congeler. Il est donc conseillé de vérifier et de consommer les aliments contenus dans le congélateur. Lorsque la température ambiante revient à la normale, vous pouvez changer le réglage du bouton en fonction de vos besoins.

- Si la température ambiante est inférieure à 0°C, les denrées du compartiment congélateur vont se congeler. Nous vous recommandons donc de ne pas utiliser le compartiment congélateur dans de telles faibles conditions ambiantes. Vous pouvez continuer à utiliser le compartiment congélateur comme d'habitude.
- Pour une efficacité énergétique, il est conseillé de retirer l'étagère supérieure et de placer les aliments sur l'étagère inférieure. Les deux principaux rabats et l'étagère supérieure en place n'ont pas été pris en compte lors de l'indication du volume net de votre appareil. Placez deux blocs réfrigérants (si fournis) directement au-dessus des aliments congelés à stocker sur l'étagère supérieure.

Réversibilité des portes

Procédez dans l'ordre numérique



5 Utilisation du congélateur

Réglage de la température de fonctionnement



La température de fonctionnement est réglée à l'aide de la commande de température.

1 = Réglage de réfrigération le plus faible (Réglage le plus chaud)

MAX. = Réglage de réfrigération le plus fort (Réglage le plus froid)

Veillez choisir le réglage en fonction de la température désirée.

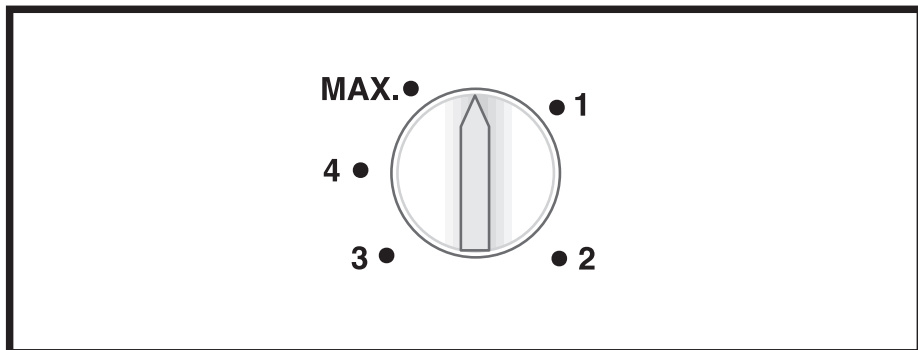
La température intérieure est également fonction de la température ambiante, la fréquence d'ouverture de la porte et la quantité de denrées stockées à l'intérieur.

Si la porte est ouverte fréquemment, la température intérieure monte.

Pour cette raison, il est recommandé de refermer la porte aussitôt que possible après utilisation.

La température normale de stockage de votre appareil doit être de -18°C (0°F). Lorsque l'on tourne le bouton de commande du thermostat dans le sens inverse des aiguilles d'une montre à partir de la position 1, l'appareil s'éteint avec un déclic. Vous pouvez obtenir des températures plus basses en ajustant la commande du thermostat dans la direction de la Position 4.

Nous vous conseillons de vérifier la température avec un thermomètre pour s'assurer que les compartiments de conservation sont maintenus à la température souhaitée. Pensez à lire la température sur le thermomètre immédiatement comme elle montera très rapidement après l'avoir sorti du congélateur.



Congélation

Congeler les denrées

La zone de congélation est indiquée par le symbole sur la contre-porte.

Vous pouvez utiliser cet appareil pour congeler des denrées fraîches ainsi que pour stocker des denrées surgelées.

Veillez vous référer aux recommandations indiquées sur l'emballage de votre aliment.

• Attention

Ne pas congeler de boissons gazeuses car le liquide congelé peut faire éclater la bouteille.

Soyez prudents avec les produits congelés tels que les glaçons colorés.

Ne dépassez pas le pouvoir de congélation de votre appareil par 24 heures. Se référer à la plaque signalétique.

Afin de préserver la qualité des aliments, la congélation doit être effectuée le plus rapidement possible.

Ainsi, le pouvoir de congélation ne sera pas dépassé et la température à l'intérieur du congélateur ne montera pas.

• Attention

Conservez toujours les aliments déjà surgelés séparément des denrées qui viennent d'y être placées.

Lorsque vous surgelez un aliment chaud, le compresseur de réfrigération fonctionnera tant que l'aliment n'est pas complètement congelé. Cela peut causer un refroidissement excessif temporaire du compartiment congélateur / congélateur.

Si vous trouvez que la porte du congélateur est difficile à ouvrir juste après l'avoir fermée, ne vous inquiétez pas. Cela est dû à la différence de pression qui va se régulariser et permettra d'ouvrir la porte normalement au bout de quelques minutes.

Vous entendrez un bruit d'aspiration juste après avoir fermé la porte. Ceci est tout à fait normal.

Fabrication de glaçons

Remplissez les bacs à glaçons d'eau jusqu'aux $\frac{3}{4}$ et introduisez les dans le congélateur.

Dès que l'eau est devenue glace, vous pouvez sortir les glaçons.

N'utilisez jamais d'objets tranchants tels que couteaux ou fourchettes pour démouler les glaçons. Il y a un risque de blessure !

Laisser plutôt les glaçons dégeler légèrement ou bien mettez le fond du bac dans l'eau chaude pendant un petit moment.

Congélation rapide

Si vous vous apprêtez à congeler de grandes quantités de produits frais, appuyez sur le bouton congélation rapide 24 heures avant d'introduire les produits frais dans le compartiment de congélation rapide.

Nous vous recommandons fortement de laisser la touche de congélation rapide enclenchée pendant au moins 24 heures pour congeler le volume maximal de produits frais correspondant au pouvoir de congélation stipulé. Prenez particulièrement soin de ne pas mélanger les produits congelés et les produits frais.

Dégivrage de l'appareil

L'appareil dégivre automatiquement.

Alarme porte ouverte

(Cette caractéristique est en option)

Un signal d'avertissement sonore retentit lorsque la porte du réfrigérateur reste ouverte pendant au moins 1 minute. Cet avertissement s'arrête en refermant la porte ou en appuyant sur n'importe quel bouton de l'affichage.

Systeme de réfrigération NeoFrost :

Votre réfrigérateur est équipé de deux systèmes de réfrigération séparés destinés à refroidir le compartiment des aliments frais et le compartiment de congélation du réfrigérateur. Ainsi, l'air du compartiment des produits frais et l'air du compartiment de congélation ne sont pas mélangés. Grâce à ce système de réfrigération séparée, les vitesses de réfrigération sont beaucoup plus élevées que pour des réfrigérateurs normaux. Par ailleurs, les odeurs des compartiments ne sont pas mélangées. Par ailleurs, une économie d'énergie supplémentaire est fournie car la décongélation se fait individuellement.

Congélation des produits frais

- Enveloppez ou couvrez vos aliments avant de les placer au réfrigérateur.
- Laissez refroidir les aliments à la température ambiante avant de les placer au congélateur.
- Les denrées que vous souhaitez surgeler doivent être fraîches et en bon état.
- Il est conseillé de séparer les denrées en portions en fonction des besoins quotidiens de votre famille ou par repas.
- Les denrées doivent être emballées hermétiquement afin d'éviter qu'elles ne s'assèchent, même si elles ne doivent être conservées qu'une courte période.

- Les matériaux utilisés pour l'emballage doivent résister aux déchirures, au froid, à l'humidité, et doivent être imperméables aux odeurs, aux graisses et aux acides et être hermétiques. Par ailleurs, ils doivent fermer correctement et être composés de matériaux simples d'utilisation et adaptés à un usage dans un congélateur.
- Les denrées congelées doivent être consommées immédiatement après leur décongélation et elles ne doivent jamais être recongelées.
- Veuillez respecter les instructions suivantes afin d'obtenir les meilleurs résultats.
 1. Ne congélez pas une quantité trop importante à la fois. La qualité des aliments est préservée de façon optimale lorsqu'ils sont entièrement congelés aussi rapidement que possible.
 2. Le fait d'introduire des aliments chauds dans le congélateur entraîne le fonctionnement du système de refroidissement en continu jusqu'à ce que les aliments soient entièrement congelés.
 3. Faites particulièrement attention à ne pas mélanger les produits déjà congelés et les produits frais.

Recommandations concernant la conservation des aliments congelés

- Pour un compartiment des denrées congelées  (4 étoiles), les aliments préemballés et surgelés, destinés à un usage commercial, doivent être conservés conformément aux instructions du fabricant de produits congelés.

- Afin de veiller à ce que la qualité supérieure recherchée par le fabricant et le détaillant des produits congelés soit atteinte, il convient de se rappeler les points suivants :

1. Mettre les emballages dans le congélateur aussi rapidement que possible après achat.
2. S'assurer que le contenu est étiqueté et daté.
3. Ne pas dépasser les dates « à consommer avant le » et « à consommer de préférence avant le » figurant sur l'emballage.

Dégivrage

Le compartiment congélateur se dégivre automatiquement.

Disposition des aliments

| | |
|---|---|
| Clayettes du compartiment congélation | la viande, du poisson, des crèmes glacées, des légumes, etc. |
| Casier à œufs | Œufs |
| Clayettes du compartiment de réfrigération | Nourriture dans des casseroles, assiettes couvertes et récipients fermés |
| Balconnets de la porte du compartiment de réfrigération | Produits ou boissons de petite taille et sous emballage (comme du lait, des jus de fruits ou de la bière) |
| Bac à légumes | Fruits et légumes |
| Compartiment Fraîcheur | Produits délicats (fromage, beurre, salami, etc.) |

Informations concernant la congélation

Les denrées doivent être congelées le plus rapidement possible lorsqu'elles sont placées dans un réfrigérateur, afin de préserver leur qualité.

Il n'est possible de conserver des denrées sur de longues périodes qu'avec des températures inférieures ou égales à -18°C.

Vous pouvez conserver vos aliments surgelés pendant plusieurs mois (à des températures inférieures ou égales à -18°C dans le surgélateur).

⚠ AVERTISSEMENT !

- Il est conseillé de séparer les denrées en portions en fonction des besoins quotidiens de votre famille ou par repas.
- Les denrées doivent être emballées hermétiquement afin d'éviter qu'elles ne s'assèchent, même si elles ne doivent être conservées qu'une courte période.
- Matériaux nécessaires à l'emballage :
- Bande adhésive résistant au froid
- Etiquette autocollante
- Elastiques en caoutchouc
- Stylo

Les matériaux utilisés pour l'emballage des denrées doivent résister aux déchirures, au froid, à l'humidité, et doivent être imperméables aux odeurs, aux graisses et aux acides.

Il faut éviter que les denrées à congeler n'entrent en contact avec des aliments déjà congelés afin d'empêcher le dégel partiel de ces aliments.

Les denrées congelées doivent être consommées immédiatement après leur décongélation et elles ne doivent jamais être recongelées.

- Activez la « fonction de congélation rapide » au moins 24 heures avant d'introduire les aliments frais.

- Mettez 2 sacs de glace (si disponible)

 - à l'intérieur du tiroir inférieur.

- Posez les produits frais sur les étagères du deuxième et du troisième niveau à partir du bas. (Pour obtenir une capacité maximale, retirez les tiroirs.)

6 Entretien et nettoyage

- ⚠ N'utilisez jamais d'essence, de benzène ou de matériaux similaires pour le nettoyage.
- ⚠ Nous vous recommandons de débrancher l'appareil avant de procéder au nettoyage.
- ℹ N'utilisez jamais d'ustensiles tranchants, savon, produit de nettoyage domestique, détergent et cirage pour le nettoyage.
- ℹ Utilisez de l'eau tiède pour nettoyer la carrosserie du congélateur et séchez-la soigneusement à l'aide d'un chiffon.
- ℹ Utilisez un chiffon humide imbibé d'une solution composée d'une cuillère à café de bicarbonate de soude pour un demi litre d'eau pour nettoyer l'intérieur et séchez soigneusement.
- ⚠ Prenez soin de ne pas faire couler d'eau dans le logement de la lampe et dans d'autres éléments électriques.
- ⚠ En cas de non utilisation de votre congélateur pendant une période prolongée, débranchez le câble d'alimentation, sortez toutes les denrées, nettoyez-le et laissez la porte entrouverte.
- ℹ Inspectez les joints de porte régulièrement pour vérifier qu'ils sont propres et qu'il n'y a pas de résidus de nourriture.
- ℹ Pour retirer les balconnets de portes, sortez tout son contenu puis poussez simplement le balconnet vers le haut à partir de la base.
- ℹ Ne jamais utiliser des produits nettoyants ou de l'eau contenant du chlore pour le nettoyage des surfaces externes et des pièces chromées du produit. Le chlore entraîne la corrosion de ces surfaces métalliques.
- ℹ Évitez d'utiliser des objets tranchants ou abrasifs, du savon, des produits ménagers de nettoyage, des détergents, de l'essence, du benzène, de la cire, ect. ; autrement, les marques sur les pièces en plastique pourraient s'effacer et les pièces elles-mêmes pourraient présenter des déformations. Utilisez de l'eau tiède et un torchon doux pour nettoyer et sécher.

Protection des surfaces en plastique.

- Ne placez pas d'huiles ou de plats huileux dans le congélateur dans des récipients non fermés, car les graisses peuvent endommager les surfaces en plastique du congélateur. Si vous versez ou éclaboussez de l'huile sur les surfaces en plastique, nettoyez et lavez les parties souillées avec de l'eau chaude immédiatement.

7 Dépannage

Veillez vérifier la liste suivante avant d'appeler le service après-vente. Cela peut vous faire économiser du temps et de l'argent. Cette liste regroupe les problèmes les plus fréquents ne provenant pas d'un défaut de fabrication ou d'utilisation du matériel. Il se peut que certaines des fonctions décrites ne soient pas présentes sur votre produit.

Le congélateur ne fonctionne pas.

- La fiche n'est pas insérée correctement dans la prise. >>> Insérez correctement la fiche dans la prise.
- Est-ce que le fusible ou le fusible principal a sauté? >>> Vérifiez le fusible.

Condensation sur la paroi intérieure du compartiment congélateur. (MULTIZONE, COOL CONTROL et FLEXI ZONE).

- La porte a été ouverte souvent. >>> Evitez d'ouvrir et de fermer trop fréquemment la porte du congélateur.
- L'environnement est très humide. >>> N'installez pas votre congélateur dans des endroits très humides.
- La nourriture contenant du liquide est conservée dans des récipients ouverts. >>> Ne conservez pas de la nourriture contenant du liquide dans des récipients ouverts.
- La porte du congélateur est laissée entrouverte. >>> Fermez la porte du congélateur.
- Le thermostat est réglé à un niveau très froid. >>> Réglez le thermostat à un niveau adapté.

Le compresseur ne fonctionne pas.

- Le dispositif de protection thermique du compresseur sautera en cas de coupures soudaines du courant ou de débranchement intempestif, en effet la pression du liquide réfrigérant du système de refroidissement ne sera pas équilibrée. Le congélateur recommencera à fonctionner normalement après 5 minutes environ. Veuillez contacter le service après-vente si le congélateur ne redémarre pas après cette période.
- Le congélateur est en mode dégivrage. >>> Cela est normal pour un congélateur à dégivrage semi-automatique. Le cycle de dégivrage se déclenche régulièrement.
- Le congélateur n'est pas branché à la prise. >>> Assurez-vous que la prise est branchée dans la prise murale.
- Les réglages de température ne sont pas effectués correctement. >>> Sélectionnez la température appropriée.
- Il y a une panne de courant. >>> Le congélateur recommence à fonctionner normalement après le retour du courant.

Le niveau sonore augmente lorsque le congélateur est en marche.

- Les caractéristiques de performance du congélateur peuvent changer en raison des variations de la température ambiante. Cela est normal et n'est pas un défaut.

Le congélateur fonctionne fréquemment ou pendant de longues périodes.

- Votre nouveau congélateur est peut être plus large que l'ancien. Les grands congélateurs fonctionnent plus longtemps.
- La température de la pièce est probablement élevée. >>> Il est normal que l'appareil fonctionne plus longtemps quand la température ambiante est élevée.
- Le congélateur pourrait y avoir été branché tout récemment ou pourrait avoir été chargé de denrées alimentaires. >>> Quand le congélateur a été branché ou récemment rempli avec de la nourriture, il met plus de temps à atteindre la température réglée. Ce phénomène est normal.
- D'importantes quantités de denrées chaudes ont peut être été introduites dans le congélateur récemment. >>> Ne mettez pas de nourriture chaude dans le congélateur.
- Les portes ont peut être été ouvertes fréquemment ou laissées entrouvertes pendant une durée prolongée. >>> L'air chaud qui entre dans l'appareil oblige le congélateur à travailler sur de plus longues périodes. N'ouvrez pas les portes fréquemment.
- La porte du congélateur est probablement entrouverte. >>> Vérifiez que les portes sont bien fermées.
- Le congélateur est réglé à une température très basse. >>> Réglez la température du congélateur à un degré supérieur et attendez que la température réglée soit atteinte.
- Le joint de la porte du congélateur ou du congélateur peut être sale, déchiré, rompu ou mal en place. >>> Nettoyez ou remplacez le joint. Tout joint endommagé/déchiré fait fonctionner le congélateur pendant une période de temps plus longue afin de conserver la température actuelle.

La température du congélateur est très basse alors que celle du congélateur est correcte.

- La température du congélateur est réglée à une température très basse. >>> Réglez la température du congélateur à un degré supérieur et vérifiez.

La température du congélateur est très basse alors que celle du congélateur est correcte.

- La température du congélateur est réglée à une température très basse. >>> Réglez la température du congélateur à un degré supérieur et vérifiez.

Les denrées conservées dans les tiroirs du compartiment de réfrigération sont congelées.

- La température du congélateur est réglée à une température très basse.
>>> Réglez la température du congélateur à un niveau inférieur et vérifiez.

La température dans le congélateur ou le congélateur est très élevée.

- La température du congélateur est réglée à une température très basse.
>>> Le réglage du compartiment réfrigérant a un effet sur la température du congélateur. Changez les températures du congélateur ou du congélateur et attendez que les compartiments atteignent une température suffisante.
- Les portes ont peut être été ouvertes fréquemment ou laissées entrouvertes pendant une durée prolongée. >>> N'ouvrez pas les portes fréquemment.
- La porte est entrouverte. >>> Refermez complètement la porte.
- Le congélateur a été récemment branché ou rempli avec de la nourriture.
>>> Ce phénomène est normal. Lorsque le congélateur vient d'être branché ou récemment rempli avec de la nourriture, il met plus de temps à atteindre la température réglée.
- D'importantes quantités de denrées chaudes ont peut être été introduites dans le congélateur récemment. >>> Ne mettez pas de nourriture chaude dans le congélateur.

• Vibrations ou bruits

- Le sol n'est pas plat ou stable. >>> Si le congélateur balance lorsqu'il est déplacé lentement, équilibrez-le en ajustant sa base. Assurez-vous que le sol est plat et suffisamment solide pour supporter le poids et le volume de l'appareil.
- Les éléments placés sur le congélateur peuvent faire du bruit. >>> Enlevez les éléments du haut du congélateur.

Le congélateur produit des bruits semblables à de l'eau qui coule, à la pulvérisation d'un liquide, etc.

- Des écoulements de gaz et de liquides surviennent dans le congélateur, de par ses principes de fonctionnement. Cela est normal et n'est pas un défaut.

Un sifflement sort du congélateur.

- Les ventilateurs sont utilisés pour refroidir le congélateur. Cela est normal et n'est pas un défaut.

Condensation sur les parois intérieures du congélateur.

- Un temps chaud et humide augmente la formation de givre et de condensation. Cela est normal et n'est pas un défaut.
- Les portes ont peut être été ouvertes fréquemment ou laissées entrouvertes pendant une durée prolongée. >>> N'ouvrez pas les portes fréquemment. Refermez-les si elles sont ouvertes.
- La porte est entrouverte. >>> Refermez complètement la porte.

De l'humidité est présente à l'extérieur ou entre les portes du congélateur.

- Il y a peut être de l'humidité dans l'air; ceci est tout à fait normal par un temps humide. Lorsque l'humidité est faible, la condensation disparaîtra.

Présence d'une mauvaise odeur dans le congélateur.

- Il n'y a pas de nettoyage régulier effectué. >>> Nettoyez régulièrement l'intérieur du congélateur avec une éponge, de l'eau tiède ou du carbonate dissout dans l'eau.
- Certains récipients ou matériaux d'emballage peuvent provoquer ces odeurs. >>> Utilisez un autre récipient ou changez de marque de matériau d'emballage.
- Les denrées sont mises au congélateur dans des récipients sans couvercle. >>> Conservez les aliments liquides dans des récipients fermés. Les micro-organismes issus de récipients non fermés peuvent dégager des odeurs désagréables.
- Enlevez les aliments périmés et pourris du congélateur.

La porte ne se ferme pas.

- Des récipients empêchent la fermeture de la porte. >>> Retirez les emballages qui obstruent la porte.
- Le congélateur n'est pas complètement vertical sur le sol. >>> Ajustez les pieds du congélateur pour l'équilibrer.
- Le sol n'est pas plat ou solide. >>> Assurez-vous que le sol est plat et qu'il peut supporter le poids du congélateur.

Les bacs à légumes sont coincés.

- Il se peut que les denrées touchent le plafond du tiroir. >>> Disposez à nouveau les denrées dans le tiroir.

Шановний покупцю!

Цей прилад був виготовлений за допомогою сучасного обладнання з ретельним контролем якості і ми хотіли б, щоб він працював для Вас найбільш ефективно.

Для цього повністю прочитайте інструкцію з експлуатації перед використанням приладу і збережіть цю інструкцію в якості довідкового джерела. Якщо ви передаєте цей прилад іншій особі, передайте цю інструкцію разом з приладом.

Інструкція з експлуатації забезпечує швидке і безпечне використання приладу.

- Прочитайте інструкцію перед встановленням та використанням приладу.
- Завжди дотримуйтесь діючих правил техніки безпеки.
- Зберігайте інструкцію з експлуатації в межах легкої досяжності для її використання у майбутньому.
- Прочитайте будь-які інші документи, що поставляються з даним приладом.

Майте на увазі, що ця інструкція з експлуатації може стосуватися кількох моделей прилада. Інструкція ясно описує будь-які варіації різних моделей.

Символи та примітки

У цій інструкції користувача використовуються такі символи:



| | |
|--|--|
|  | Важлива інформація та корисні поради. |
|  | Небезпека для життя та майна. |
|  | Небезпека ураження електричним струмом. |
|  | Упаковка цього виробу виготовлена з матеріалів, які підлягають повторній переробці згідно з національними нормами й правилами щодо охорони довкілля. |

| | | | |
|---|-----------|------------------------------------|-----------|
| 1 Інструкції з техніки безпеки й охорони довкілля | 4 | 4 Підготовка | 13 |
| Загальні правила техніки безпеки.. | 5 | 5 Використання холодильника | 15 |
| Застосування за призначенням | 7 | 6 Обслуговування та чищення | 21 |
| Безпека дітей | 8 | 7 Усунення несправностей | 22 |
| Відповідність Директиві щодо відпрацьованого електричного й електронного обладнання й утилізація відходів | 8 | | |
| Відповідність Директиві щодо обмеження використанням шкідливих речовин | 9 | | |
| Інформація про упаковку..... | 9 | | |
| 2 Холодильник | 10 | | |
| 3 Установка | 11 | | |
| Що слід враховувати при транспортуванні приладу | 11 | | |
| Перед увімкненням холодильника | 11 | | |
| Підключення до електромережі ... | 12 | | |
| Утилізація упаковки | 12 | | |
| Утилізація вашого старого холодильника | 12 | | |
| Розміщення та Установка | 12 | | |

1 Інструкції з техніки безпеки й охорони довкілля

У цьому розділі наведені інструкції з техніки безпеки, необхідні для запобігання ризику отримання травми та матеріальних збитків. Недотримання цих інструкцій може призвести до втрати всіх видів гарантії.

Призначення

| | |
|--|--|
|  | ПОПЕРЕДЖЕННЯ: Під час зберігання або встановлення приладу вентиляційні отвори повинні бути відкриті. |
|  | ПОПЕРЕДЖЕННЯ: Для того, щоб прискорити процес розморожування не використовуйте механічні та інші предмети, крім пристосувань, рекомендованих виробником. |
|  | ПОПЕРЕДЖЕННЯ: Контур холодоагенту не повинен бути пошкоджений. |
|  | ПОПЕРЕДЖЕННЯ Не кладіть всередину камери для зберігання продуктів електричні прилади, які не рекомендовані виробником. |
|  | ПОПЕРЕДЖЕННЯ Не зберігайте у холодильнику вибухові речовини, такі як балончики, що містять легкозаймисті гази під тиском. |

Прилад призначений лише для використання в домашніх або нижченаведених умовах:

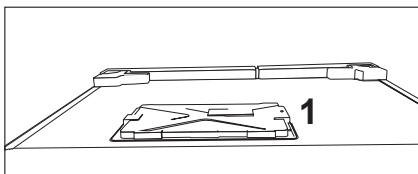
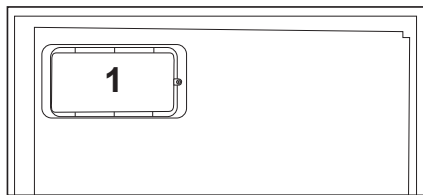
- на кухнях для персоналу в магазинах, офісах та інших установах;
- на фермах або готелях, в мотелях та інших гостьових будинках для використання клієнтами.
- готелі типу «ліжко та сніданок»;
- підприємства громадського харчування та інші види використання не в роздрібній торгівлі

Інструкції з техніки безпеки й охорони довкілля

1.1. Загальні правила техніки безпеки

Цей прилад не повинен використовуватися особами з фізичними, сенсорними та розумовими вадами, без достатнього досвіду і знань або дітьми. Ці особи можуть використовувати прилад тільки під наглядом і курируванням з боку особи, відповідальної за їх безпеку. Не можна дозволяти дітям гратися з приладом.

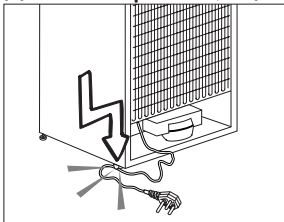
- У разі несправності від'єднайте прилад від електромережі.
- Після від'єднання від електромережі зачекайте не менше 5 хвилин, перш ніж приєднати прилад знову.
- Від'єднуйте прилад від електромережі, коли він не використовується.
- Не торкайтеся штепсельної вилки мокрими руками! Не тягніть за шнур живлення з метою від'єднання від електромережі. У цьому випадку завжди тримайтеся за вилку.
- Не підключайте холодильник до незакріпленої розетки електромережі.
- Від'єднуйте прилад від електромережі під час робіт зі встановлення, обслуговування, чищення та ремонту.
- Якщо прилад не буде використовуватися протягом деякого часу, від'єднайте прилад від електромережі та приберіть їжу, встановлену в середині.
- Не використовуйте прилад, якщо відділення з монтажними платами, розташоване ззаду згори (кришка блока електричних плат) (1), відчинене.



- Не використовуйте пар або чистячі засоби, які використовують пару, для очищення холодильника та розтоплення льоду всередині холодильника. Пар може потрапити до електрифікованих ділянок та викликати коротке замикання або ураження електричним струмом!
- Не мийте електроприлад, розбризкуючи або виливаючи на нього воду! Існує небезпека ураження електричним струмом!

Інструкції з техніки безпеки й охорони довкілля

- У разі несправності приладу не використовуйте його, так як це може призвести до ураження електричним струмом. Перш ніж робити що-небудь, зверніться до авторизованої сервісної служби.
- Підключайте прилад до заземленої розетки. Заземлення має робити кваліфікований електрик.
- Якщо у приладі використовується освітлення світлодіодного типу, зверніться до авторизованої сервісної служби для заміни світлодіодних ламп або у разі будь-яких проблем.
- Не торкайтеся заморожених продуктів мокрими руками. Вони можуть пристати до Ваших рук!
- Не ставте у морозильну камеру посудини з рідиною в пляшках і банках. Вони можуть лопнути!
- Розміщуйте посудини з рідиною у вертикальному положенні з щільно закритими кришками.
- Не розпиляйте горючі речовини поруч з приладом, це може призвести до пожежі або до вибуху.
- Не тримайте в холодильнику горючі матеріали і продукти з легкозаймистим газом (спреї і т.д.).
- Не ставте на холодильник контейнери, наповнені рідиною. Бризки води на електричні частини можуть спричинити ураження електричним струмом або ризик займання.
- Вплив на пристрій дощу, снігу, сонця та вітру небезпечний з точки зору електробезпеки. При переміщенні приладу не тягніть його, тримаючи за ручку дверей. Ручка може відірватися.
- Будьте уважні, щоб ваші руки або інші частини тіла не потрапили в рухомі компоненти приладу.
- Не наступайте та не спирайтеся на дверцята, ящики та аналогічні частини холодильника. Внаслідок цього прилад може впасти. Від падіння приладу можуть пошкодитися його компоненти.
- Будьте обережні, щоб не заплутатися у кабелі живлення.



1.1.1 Попередження щодо високонебезпечної речовини

Якщо прилад містить систему охолодження з використанням газу R600a, будьте обережні, щоб не пошкодити систему охолодження і її трубопровід при використанні і переміщенні приладу. Цей газ займистий. У випадку пошкодження системи охолодження тримайте прилад подалі від потенційних джерел займання, а також негайно провентилуйте приміщення.



Тип газу, який використовується у приладі, вказаний на паспортній табличці, розташованій зліва на внутрішній стінці холодильника.

1.1.2 Для моделей з розподільником охолодженої води

- Тиск в місці підведення холодної води не повинен перевищувати 90 фунтів на квадратний дюйм (620 kPa). Якщо тиск води перевищує 80 фунтів на квадратний дюйм (550 kPa), встановіть у своїй магістральній мережі клапан обмеження тиску. Якщо ви не знаєте, як перевірити тиск води, зверніться за допомогою професійного сантехніка.
- Якщо у вашій установці існує ризик виникнення гідравлічного удару, обов'язково встановіть захисне обладнання для запобігання ризику виникнення гідравлічного удару. У разі виникнення сумнівів стосовно можливості виникнення гідравлічного удару у вашій установці, зверніться за допомогою до професійних сантехніків.
- Забороняється виконувати встановлення у місці підведення гарячої води. Необхідно вжити запобіжних заходів для запобігання ризику замерзання шлангів. Температура робочої води повинна знаходитися в інтервалі від 33 °F (0,6 °C) до 100 °F (38 °C).
- Використовуйте тільки питну воду.

1.2. Застосування за призначенням

- Цей прилад розроблено для домашнього використання. Він не призначений для комерційного використання.
- Продукт повинен бути використаний лише для зберігання продуктів харчування і напоїв.
- Не тримайте в холодильнику чутливі продукти, що вимагають контрольованої температури (вакцини, теплочутливі ліки, медикаменти тощо).

Інструкції з техніки безпеки й охорони довкілля

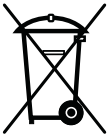
- Виробник не несе жодної відповідальності за будь-які збитки в результаті неправильного використання або неправильного поводження.
- Оригінальні запасні частини будуть постачатися протягом 10 років з моменту придбання виробу.

1.3. Безпека дітей

- Тримайте пакувальні матеріали у недоступному для дітей місці.
- Не дозволяйте дітям гратися з приладом.
- Якщо на дверцятах є замок, тримайте ключі у недосяжному для дітей місці.

1.4. Відповідність Директиві щодо відпрацьованого електричного й електронного обладнання й утилізація відходів

Цей прилад відповідає вимогам Директиви щодо відпрацьованого електричного й електронного обладнання (2012/19/ЄС). Цей прилад позначений символом приналежності до категорії відходів електричного й електронного обладнання.



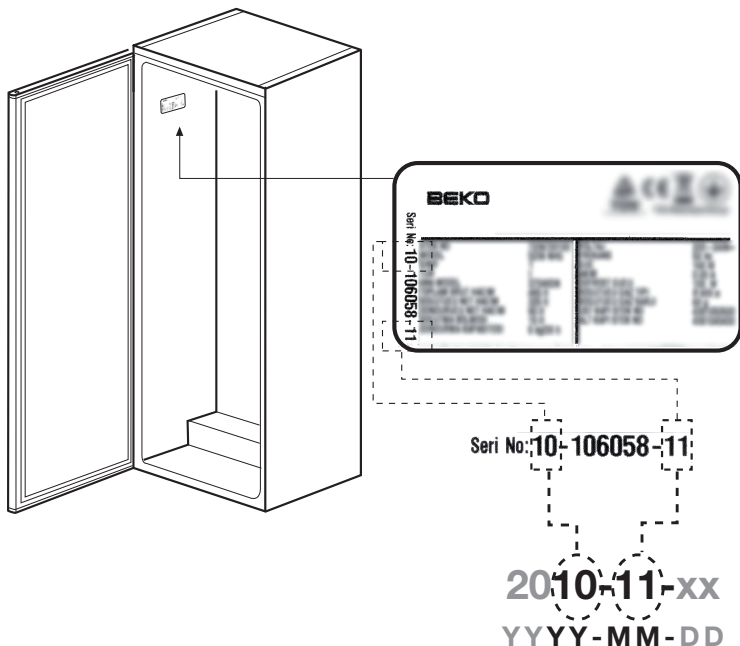
Цей прилад виготовлений з високоякісних деталей та матеріалів, які підлягають повторному використанню й переробці. Після закінчення терміну експлуатації не утилізуйте цього пристрою разом зі звичайними побутовими й іншими відходами. Його слід здати у відповідний пункт збору відходів електричного й електронного обладнання для повторного використання.

Інформацію про місцезнаходження пунктів збору відходів можна отримати в місцевих органах влади.

Інструкції з техніки безпеки й охорони довкілля

1.5. Відповідність Директиві щодо обмеження використанням шкідливих речовин

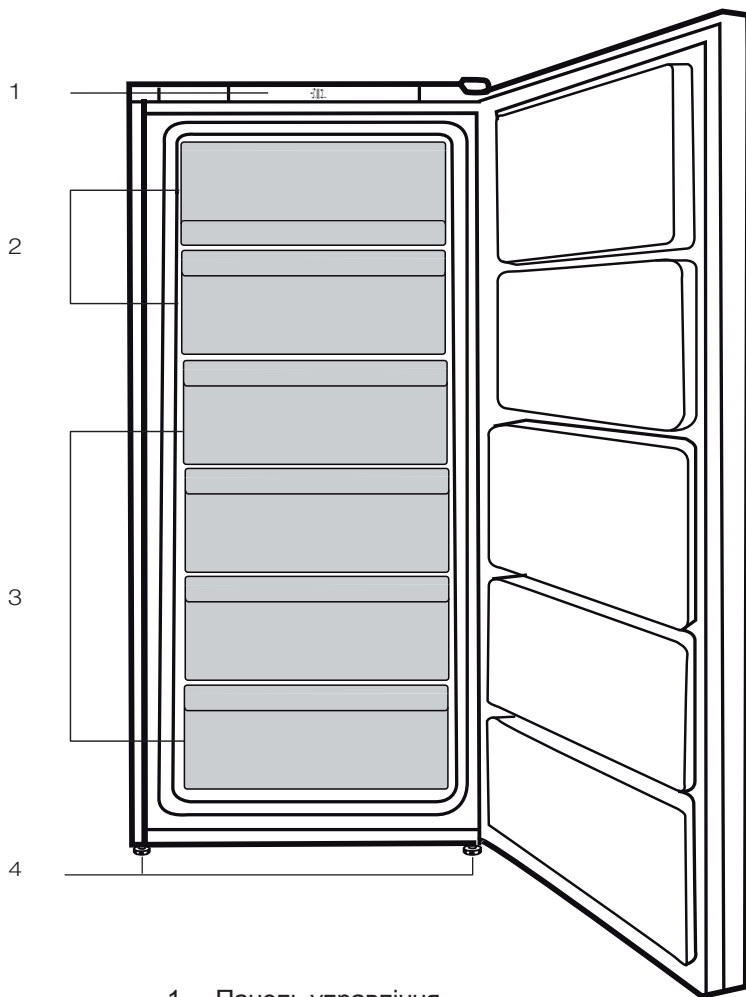
- Цей прилад відповідає вимогам Директиви щодо відпрацьованого електричного й електронного обладнання (2011/65/ЄС). Він не містить шкідливих і заборонених речовин, зазначених у цій Директиві.



1.6. Інформація про упаковку

- Упаковка цього приладу виготовлена з матеріалів, які підлягають повторній переробці згідно з національними нормами й правилами щодо охорони довкілля. Не утилізуйте пакувальні матеріали разом із побутовими та іншими відходами. Здайте їх на пункт збору пакувальних матеріалів, визначених місцевими органами влади.

2 Холодильник



1. Панель управління
2. відділення швидкого замороження
3. Висувні контейнери
4. Регульовані передні ніжки



Ілюстрації в даній інструкції є схематичними і можуть відрізнятися від вашої моделі. Якщо до комплектації моделі, яку ви придбали, не входять згадані деталі, вони призначені для інших моделей.



Будь ласка, пам'ятайте, що виробник не нестиме відповідальність, якщо не дотримано порад, наведених в інструкції з користування.

3.1. Що слід враховувати при транспортуванні приладу

1. Перед будь-яким транспортуванням холодильник має бути спорожнений і вимитий.
2. Перед упакуванням холодильника всі полиці, приналежності, контейнери для фруктів та овочів тощо у вашому холодильнику слід міцно закріпити скотчем для запобігання струсам.
3. Упаковувати холодильник слід за допомогою товстих стрічок і міцних мотузок, а також дотримуватися правил транспортування, надрукованих на упаковці.

Упевніться в тому, що всередині холодильника старанно вимитий.

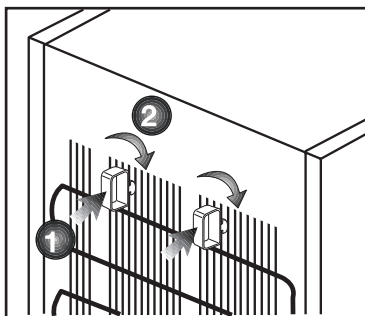
Повторне використання матеріалів надзвичайно важливе для природи та наших національних ресурсів.

Якщо ви бажаєте посприяти повторному використанню матеріалів упаковки, ви можете отримати більше інформації від органів охорони довкілля або від органів місцевої влади.

3.2. Перед увімкненням холодильника

Перш ніж розпочати експлуатацію холодильника, перевірте дотримання таких умов:

1. Усередині холодильника сухо, ніщо не заважає вільній циркуляції повітря позаду приладу.
2. Вставте 2 пластмасові розпірки для вентиляції на задню стінку, як показано на наступному малюнку. Пластмасові розпірки забезпечать потрібну відстань між холодильником і стіною для циркуляції повітря.



3. Вимийте внутрішню частину холодильника, як рекомендовано у розділі “Обслуговування й чищення”.
4. Під'єднайте холодильник до розетки електромережі. При відчиненні дверцят холодильника вмикається внутрішнє освітлення холодильного відділення.
5. Коли компресор почне працювати, ви почуєте шум. Рідина та гази всередині холодильної системи також можуть створювати шум, навіть якщо компресор не працює, що є цілком нормальним явищем.
6. Передні кромки холодильника можуть бути теплими на дотик. Це нормально. Ці області мають нагріватися, щоб уникнути конденсації.

3.3. Підключення до електромережі

Підключіть холодильник до заземленої розетки, захищеної плавким запобіжником відповідної потужності.

Важливо!

- Підключення має відповідати національним нормам і правилам.
- Після встановлення холодильника має бути забезпечений легкий доступ до штепселя шнура живлення.
- Указана напруга має відповідати напрузі вашої електромережі.
- Для підключення не слід використовувати подовжувачі та штепсельні колодки на декілька гнізд.



У разі пошкодження шнура живлення його заміну має здійснювати кваліфікований електрик.



Забороняється користуватися холодильником, доки його не буде відремонтовано! Існує небезпека ураження електричним струмом!

3.4. Утилізація упаковки

Пакувальні матеріали можуть становити небезпеку для дітей. Зберігайте пакувальні матеріали у недоступному для дітей місці, або утилізуйте їх, розсортувавши відповідно до інструкцій з утилізації відходів. Не утилізуйте їх разом із звичайними побутовими відходами.

Упаковка вашого холодильника вироблена з матеріалів, що можуть бути використані повторно.

3.5. Утилізація вашого старого холодильника

Утилізуйте старий холодильник, не завдаючи шкоди довкіллю.

- З питань щодо утилізації холодильника ви можете звернутися до пункту збору відходів вашого населеного пункту.

Перед утилізацією холодильника відріжте штепсель електрошнура, а також виведіть з ладу замки (якщо такі існують) дверцят, щоб захистити дітей від небезпеки зачинення всередині.

3.6. Розміщення та Установка



Якщо двері приміщення, в якому буде встановлено холодильник, недостатньо широкі, зверніться до сервісної служби; її співробітники допоможуть зняти двері з холодильника та пронести його боком.

1. Встановлюйте холодильник у місці, зручному для його використання.

2. Холодильник має знаходитися в місці, віддаленому від джерела тепла, підвищеної вологості та прямих сонячних променів.

3. Для ефективнішої роботи необхідно забезпечити гарну вентиляцію навколо холодильника. Якщо холодильник встановлюється в ніші стіни, мінімальна відстань має бути 5 см до стелі та 5 см до стіни. Якщо на підлозі лежить килим, треба підняти холодильник на 2,5 см над рівнем підлоги.

4. Холодильник має стояти на рівній поверхні, щоб не виникало трясіння.

4 Підготовка

- Холодильник слід встановити на відстані щонайменше 30 см від джерел тепла, таких як варильні панелі, плити, батареї центрального опалення й печі, а також не ближче 5 см від електричних духових шаф, у місцях, куди не потрапляє пряме сонячне світло.
- Температура повітря в приміщенні, де встановлюється холодильник, має бути не менше 10°C. Використовувати холодильник в умовах нижчої температури не рекомендується з міркувань його низької ефективності.
- Упевніться в тому, що всередині холодильник старанно вимитий.
- Якщо два холодильники встановлюються поряд, між ними має бути відстань не менше 2 см.
- При першому увімкненні холодильника, протягом перших шести годин роботи дотримуйтеся наступних інструкцій.
 - - Не відчиняйте часто дверцята.
 - - Холодильник мусить працювати порожнім, без продуктів у середині.
 - Не відключайте холодильник від електромережі. Якщо сталося порушення електропостачання, див. застереження у розділі "Рекомендації з вирішення проблем".
- Оригінальну упаковку та плівку слід зберегти для транспортування або переміщення холодильника в майбутньому.
- Цей прилад розроблено для експлуатації при температурах, зазначених у наведеній нижче таблиці, й обладнано вдосконаленою електронною системою контролю температури [Advanced Electronic Temperature Control System (AETCS)], яка забезпечує те, що за рекомендованого налаштування [4 – чотири на регуляторі] заморожені продукти в морозильному відділенні не розморозяться, навіть якщо температура навколишнього середовища впаде до -15 °C. При першому встановленні виріб НЕ ПОВИНЕН використовуватися за низької температури навколишнього середовища, оскільки температура в морозильному відділенні не знизиться до стандартної робочої температури. За умови досягнення стабільного робочого стану виріб можна перемістити. Ви можете встановити пристрій у гаражі чи неопалюваному приміщенні й не перейматися тим, що заморожені продукти в морозильному відділенні зіпсуються. Утім, за низьких зазначених вище температур навколишнього середовища вміст холодильного відділення може заморозитися, тож перевіряйте та споживайте продукти в ньому, не зволікаючи. Коли температура навколишнього середовища повернеться до норми, налаштуйте регулятор відповідно до потреб.
- Якщо температура навколишнього середовища нижча за 0 °C, продукти в холодильному відділенні заморозяться. Тож рекомендуємо не використовувати холодильне відділення за таких низьких температур. Продовжуйте користуватися морозильним відділенням за звичайних умов.

- В деяких моделях приладова панель автоматично вимикається через 5 хвилин після закривання дверей. Вона повторно активізується після відчинення дверей або натискання будь-якої клавіші.
- Конденсація вологи на полицях дверцят/корпусу та скляних контейнерах є нормальним явищем і виникає завдяки зміні температури внаслідок відкриття/закриття дверцят під час функціонування виробу.

5 Використання холодильника

Встановлення температури



Робоча температура регулюється регулятором температури

1 = Режим найменшого охолодження (найтепліший)

МАКС. = Режим найбільшого охолодження (найхолодніший)

* Додатково активує режим швидкого заморожування.

Виберіть потрібний режим охолодження.

Температура всередині залежить також від зовнішньої температури, від того, як часто відкриваються дверцята, а також від кількості продуктів у холодильнику.

Часте відчинення дверцят призводить до підвищення температури всередині приладу.

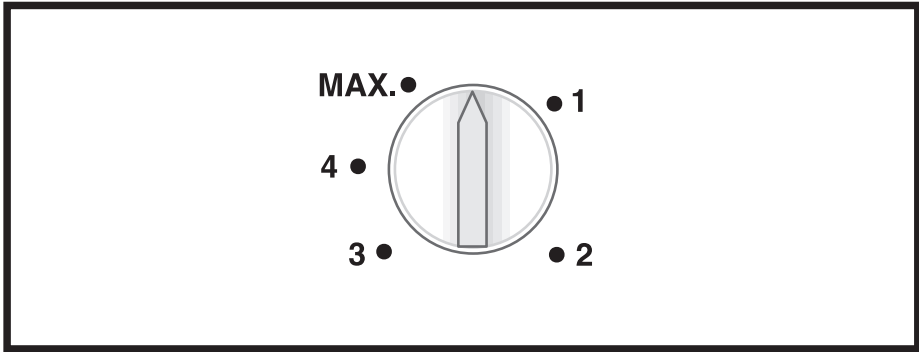
Тому рекомендується зачиняти дверцята якомога швидше.

Для нормальних умов зберігання продуктів у морозильному відділенні має бути температура -18°C . Для одержання нижчих температур поверніть ручку термостата в бік позначки МАКС.

Для точного регулювання температури у відділеннях холодильника рекомендується контролювати її за допомогою термометра. Не забувайте про необхідність зчитувати температуру одразу, оскільки поза холодильником термометр швидко нагрівається.



Ілюстрації в даній інструкції є схематичними і можуть відрізнятися від вашої моделі. Якщо до комплектації моделі, яку ви придбали, не входять згадані деталі, вони призначені для інших моделей.



Ручка термостата

Ручка термостата розташована зверху.

Важливе зауваження.

Якщо натиснути перемикач швидкого замороження або наново відрегулювати температуру, компресор може запрацювати після короткої затримки. Це цілком нормально і не свідчить про несправність компресора.

Заморожування

Заморожування продуктів

Прилад можна використовувати для заморожування свіжих продуктів, а також для зберігання попередньо заморожених.

Див. рекомендації на упаковках продуктів.

• Увага

Не слід заморожувати газовані напої, оскільки при замерзанні рідини пляшка може вибухнути.

Будьте обережні із замороженими продуктами, такими як кольорові кубики льоду.

Не перевищуйте добову продуктивність холодильника по заморожуванню. Див. паспортну таблицю.

Для збереження якості продуктів процес заморожування має відбуватися якомога швидше.

Таким чином можна уникнути перевищення морозильної здатності та підвищення температури всередині морозильного відділення.

• Увага

Готові продукти глибокого заморожування слід зберігати окремо від свіжих продуктів, щойно покладених до камери.

При глибокому заморожуванні гарячих продуктів компресор приладу працюватиме до повного замороження цих продуктів. Це може призвести до тимчасового переохолодження холодильної камери.

Якщо для відкривання щойно закритих дверцят морозильної камери потрібне певне зусилля, це не є приводом до занепокоєння. Причиною є різниця тиску — через декілька хвилин тиск зрівняється, і дверцята легко відкриваються.

Відразу після закривання дверцят чути звук всмоктування. Це цілком нормально.

Швидке заморожування

Якщо потрібно заморозити велику кількість свіжих продуктів, поставте ручку регулювання на 24 години, перш ніж закладати продукти у відділення швидкого замороження.

Настійно радимо для замороження максимально можливого об'єму свіжих продуктів, що буде відповідати морозильній здатності, залишати ручку термостата у максимальному положенні щонайменше на 24 години. Майте на увазі, що не можна змішувати заморожені та свіжі продукти.

Як тільки продукти заморозяться, не забудьте повернути ручку термостата у попереднє положення.

Попередження про відкриті дверцята

*опція

Якщо дверцята холодильного чи морозильного відділення залишити відкритими на певний час, прозвучить застережний сигнал. Застережний звуковий сигнал припиниться після натискання будь-якої кнопки на

Подвійна система охолодження

Холодильник оснащено двома окремими системами охолодження: відділення для свіжих продуктів і морозильного відділення. Через це повітря відділення для свіжих не змішується з повітрям у морозильному відділенні. Завдяки використанню двох окремих систем охолодження, швидкість охолодження набагато вища, ніж у звичайних холодильниках. Запахи у відділеннях не змішуються. Крім того, це забезпечує економію електроенергії, оскільки розморожування відбувається окремо.

Замороження свіжих продуктів

- Краще загорнути або накрити продукти, перш ніж завантажувати їх у холодильник.
- Перш ніж класти гарячі продукти до морозильного відділення, слід охолодити їх до кімнатної температури.
- Замороженні продукти мають бути свіжими та якісними.

Використання приладу

- Продукти слід розділити на порції відповідно до щоденних потреб родини, або до використання для приготування страв.
- Продукти мають бути герметично упаковані для запобігання висиханню, навіть якщо вони призначені для нетривалого зберігання.
- Матеріали для упаковки мають бути міцними та стійкими до холоду, вологості, запаху, олій та кислот, а також герметичними. Крім того, вони мають добре закриватися і бути виготовлені з легких у використанні матеріалів, які можуть бути використані для глибокого заморожування.
- Для початкового заморожування рекомендується класти продукти на верхню полицю морозильного відділення.
- Наведені дані про морозильну здатність холодильника можуть бути досягнені, якщо покласти продукти на верхню полицю, а функцію швидкого заморожування активувати за 4 години до завантаження продуктів.
- Продукти, які необхідно заморозити, слід покласти до морозильного відділення. (Вони не мають торкатися вже заморожених продуктів, щоб запобігти їх частковому таненню. Морозильну здатність приладу наведено в технічних характеристиках холодильника).
- Періоди, вказані в інформації про глибоке заморожування, мають відповідати часу зберігання.
- Заморожені продукти слід використати одразу після відтанення і ніколи не заморожувати їх знову.
- Для досягнення найкращих результатів дотримуйтеся наступних інструкцій.
 1. Не заморожуйте одночасно занадто велику кількість продуктів. Якість продуктів підтримується найкращим чином, якщо вони якнайшвидше промерзають.
 2. Розміщення теплих продуктів у морозильному відділенні примушує компресор холодильника працювати безперервно, до повного заморожування продуктів.
 3. Зверніть особливу увагу на те, що не можна змішувати вже заморожені та свіжі продукти.

Рекомендації щодо зберігання заморожених продуктів

- Упаковані продукти, заморожені в промислових умовах, слід зберігати відповідно до інструкцій їхнього виробника для відділення **✘ ***** (4 зірки) зберігання заморожених продуктів.
- Не розміщуйте продукти перед вентилятором морозильного відділення, щоб не перешкоджати циркуляції повітря. Завантаження продуктів таким чином призведе до підвищеного споживання електроенергії та погіршення ефективності зберігання продуктів у морозильному відділенні холодильника.

Використання приладу

- Для забезпечення якісного та корисного для здоров'я зберігання продуктів, слід пам'ятати наступне:
 1. Розміщуйте упаковки з продуктами в морозильному відділенні якомога швидше після придбання.
 2. Перевірте, щоб вміст було марковано й датовано.
 3. Не перевищуйте терміни зберігання та вживання продуктів.У випадку порушення електропостачання не відчиняйте дверцята морозильного відділення. Навіть якщо тривалість відсутності електроенергії перевищує «Час підвищення температури», вказаний у розділі «Технічні характеристики вашого холодильника», це не вплине на заморожені продукти. Якщо електроенергія відсутня довше, продукти слід перевірити і, в разі необхідності, негайно вжити або заморозити після приготування.
- Під час придбання продуктів зважайте на кінцеву дату придатності до вживання, максимальний дозволений період зберігання, а також на рекомендовану температуру зберігання продуктів. Якщо дату придатності до вживання перевищено, не споживайте продукти.
- Якщо заморожені продукти відтанули, не заморожуйте їх знову. Продукти, що відтали, слід вжити в їжу або негайно приготувати. Рекомендується приготувати страви з таких продуктів, перш ніж заморозити їх знову, в разі необхідності.

- Час підвищення температури в морозильному відділенні покращиться, якщо акумулятори холоду розмістити в місцях, указаних на малюнку нижче. Наведений час підвищення температури досягається, якщо розміщувати акумулятори холоду у відповідних місцях, як показано нижче.

розмороження

Морозильне відділення розморожується автоматично.

Інформація про глибоке замороження

Продукти, покладені в холодильник, мають бути заморожені якомога швидше, щоб зберегти їх у гарній якості.

Ви можете зберігати продукти свіжими протягом багатьох місяців (при температурі -18°C або нижче в умовах глибокого заморожування), відповідно до інструкцій, наведених на упаковці виробника продуктів.



ПОПЕРЕДЖЕННЯ!

• Продукти слід розділити на порції відповідно до щоденних потреб родини, або до використання для приготування страв.

• Продукти мають бути герметично упаковані для запобігання висиханню, навіть якщо вони призначені для нетривалого зберігання.

Матеріали, необхідні для пакування:

- Холодостійка клейка стрічка
- Наклейки
- Гумові кільця
- Авторучка

Матеріали для упаковки мають бути міцними та стійкими до холоду, вологості, запаху, олій та кислот.

Продукти, призначені для заморожування, не повинні торкатися вже заморожених продуктів, щоб запобігти їх частковому таненню.

Дотримуйтеся значень, вказаних у таблицях періодів зберігання.

Заморожені продукти слід використати одразу після відтанення, і ніколи не заморожувати їх знову.

• Не кладіть у морозильну камеру гарячі продукти.

– Активуйте функцію «Швидке заморожування» не менш ніж за 24 години до того, як збирається покласти свіжі продукти в холодильник.

– Покладіть два акумулятори холоду (якщо є)

в нижній ящик.

– Розташуйте продукти на 2-й та 3-й полицях, починаючи знизу (максимальний об'єм досягається шляхом видалення висувних ящиків).

Розміщення продуктів

| | |
|---------------------------------------|---|
| Полиці морозильного відділення | Різні заморожені продукти, наприклад, м'ясо, риба, морозиво, овочі тощо |
| Відділення для яєць | Яйця |
| Полиці холодильного відділення | Продукти в каструлях, на накритих тарілках і в закритих контейнерах |
| Дверні полиці холодильного відділення | Невеликі й упаковані продукти та (напої (молоко, фруктовий сік, пиво |
| Контейнер для овочів і фруктів | Овочі та фрукти |
| Відділення зони свіжості | Делікатесні продукти (сир, масло, (салами тощо |

Рекомендації щодо відділення для свіжих продуктів

• Не допускайте контакту будь-яких продуктів із датчиком температури у відділенні для свіжих продуктів. Для підтримання ідеальної температури зберігання у відділенні для свіжих продуктів датчик не повинен закриватись продуктами, що там зберігаються.

• Не кладіть у морозильну камеру гарячі продукти.

Регулярне чищення продукту продовжить термін його служби.



ПОПЕРЕДЖЕННЯ:

Перед чисткою холодильника необхідно від'єднати його від електромережі.

- Не користуйтеся для чищення гострими та абразивними інструментами, милом, побутовими засобами для чищення, засобами для миття, газоліном, бензином, лаком та подібними речовинами.
- Розчиніть чайну ложку питної соди у воді. Змочіть тканину у воді та відіжміть. Протріть прилад цією тканиною та ретельно висушіть.
- Подбайте, щоб вода не попала на плафон лампи та на інші електричні частини.
- Очистіть двері, використовуючи вологу тканину. Видаліть всі елементи, що знаходяться всередині, для відокремлення дверей та полиць на шасі. Піднімайте кришки полиць до їх від'єднання. Очистіть і висушіть полиці, потім прикладіть їх на місце, протягнувши їх зверху.
- Не використовуйте воду з хлором або чистячі засоби для миття зовнішньої поверхні приладу та частин приладу з хромованим покриттям. Хлор може призвести до корозії цих металевих поверхонь.

6.1. Запобігання неприємного запаху

Прилад виготовлений без використання будь-яких пахучих речовин. Однак зберігання їжі у відділеннях, які не призначені для цієї їжі, або неправильне чищення внутрішніх поверхонь приладу може призвести до неприємного запаху.

Тому раз на 15 днів холодильник слід витирати тканиною, змоченою в розчині питної соди в воді.

- Зберігайте продукти в закритих упаковках. Мікроорганізми можуть поширюватися в продуктах харчування з негерметичними упаковками та викликати неприємний запах.
- Не тримайте в холодильнику прострочені та зіпсовані продукти.
- Не використовуйте гострі та абразивні засоби або мило, засоби для догляду за оселею, синтетичні миючі засоби, бензин, бензол, віск і т.д., в іншому випадку на пластикових частинах з'являться сліди і відбудеться їх деформація. Використовуйте для чищення теплу воду і м'яку тканину, а потім витріть насухо.

6.2. Захист пластмасових поверхонь

Олія, пролита на пластикові поверхні, може пошкодити ці поверхні і повинна бути негайно змита теплою водою.

Перш ніж звертатися до сервісної служби, ознайомтеся з цим списком. Це допоможе вам заощадити гроші й час. Цей перелік містить найчастіші несправності, не викликані неякісним виробництвом і матеріалами. Деякі функції, згадані тут, можуть не стосуватися вашого приладу.

Холодильник не працює.

- Штепсель не вставлений повністю.
>>> Повністю вставте штепсель до розетки.
- Перегорів плавкий запобіжник розетки, до якої підключено холодильник, або запобіжник електромережі. >>> Перевірте запобіжники.

Конденсація на боковій стінці холодильного відділення (MULTI ZONE, COOL, CONTROL та FLEXI ZONE).

- Дуже часто відчиняються дверцята.
>>> Не відчиняйте дверцята дуже часто.
- Дуже вологе навколишнє середовище. >>> Не встановлюйте прилад у вологій атмосфері.
- Продукти, які містять рідину, були поміщені в незапечатані упаковки. >>> Зберігайте продукти, які містять рідину, в закритих упаковках.
- Дверцята помилково залишені відчиненими. >>> Не тримайте дверцята холодильнику відкритими протягом тривалого часу.
- Термостат встановлений на занадто низьку температуру. >>> Встановіть термостат на відповідну температуру.

Компресор не працює

- В результаті несподіваного збою енергопостачання або в результаті вимкнення-увімкнення, тиск холодоагенту в системі охолодження приладу не встиг збалансуватися, і це може увімкнути термозахист компресора. Прилад буде перезапущений через приблизно 6 хвилин. Якщо прилад не перезапущився по закінченні цього періоду, зверніться в сервісну службу.
- Відбувається розморожування.
>>> Для холодильника, який розморожується повністю автоматично, це цілком нормально. Розморожування здійснюється періодично.
- Прилад не під'єднаний до електромережі. >>> Переконайтеся, що шнур живлення під'єднаний до електромережі.
- Неправильно налаштовано температуру. >>> Задайте відповідні налаштування температури.
- Електроживлення відсутнє.
>>> Прилад почне працювати в нормальному режимі після відновлення електроживлення.

Рівень шуму холодильника збільшується під час використання.

- Робочі характеристики приладу можуть змінюватися залежно від коливань навколишньої температури. Це цілком нормально і не є несправністю.

Холодильник працює дуже часто або дуже довго.

Усунення несправностей

- Ваш новий прилад може бути більшим за попередній. Більші прилади можуть працювати протягом більш тривалих періодів часу.
- Зависока температура в приміщенні. >>> Прилад, як правило, може працювати протягом тривалого часу при більш високій кімнатній температурі.
- Прилад щойно увімкнений або завантажений новими продуктами. >>> Прилад потребує більш часу для досягнення потрібної температури у випадку, коли він щойно увімкнений або завантажений новими продуктами. Це нормально.
- Велика кількість гарячих продуктів була недавно розміщена в приладі. >>> Не кладіть у прилад гарячі продукти.
- Дверцята відкривалися часто або залишалися відкритими протягом тривалого часу. >>> Тепле повітря, яке проникає всередину прилада, призводить до більш тривалій роботи приладу. Не відчиняйте дверцята часто.
- Дверцята можуть бути прочинені. >>> Переконайтеся, що дверцята повністю закриті.
- Встановлена дуже низька температура приладу. >>> Встановіть вище значення температури і дочекайтеся, поки прилад не досягне заданої температури.
- Ущільнювач дверцят холодильника або морозильника може бути забруднений, зношений, пошкоджений або не належним чином врегульований. >>> Очистіть або замініть ущільнювач. Пошкоджений/розірваний ущільнювач дверцят призводить до того, що прилад працює більш тривалий час, щоб зберегти поточну температуру.

Температура морозильного відділення надто низька, тоді як температура холодильного відділення достатня.

- Встановлена дуже низька температура морозильного відділення. >>> Встановіть температуру морозильного відділення на вище значення та знову перевірте роботу приладу.

Температура холодильного відділення є дуже низькою, але температура морозильного відділення є адекватною.

- Встановлена дуже низька температура холодильного відділення. >>> Встановіть температуру холодильного відділення на вище значення та знову перевірте роботу приладу.

Харчові продукти, які зберігаються в ящиках холодильного відділення, замерзають.

- Встановлена дуже низька температура холодильного відділення. >>> Встановіть температуру морозильного відділення на вище значення та знову перевірте роботу приладу.

Температура в холодильному або в морозильному відділенні занадто висока.

Усунення несправностей

- Встановлена дуже висока температура холодильного відділення. >>> Налаштування температури холодильного відділення впливають на температуру морозильного відділення. Змініть температуру холодильного відділення та температуру морозильного відділення і дочекайтеся, поки у відділеннях не буде досягнуто заданих температур.
- Дверцята відкривалися часто або залишалися відкритими протягом тривалого часу. >>> Не відчиняйте дверцята занадто часто.
- Дверцята можуть бути прочинені. >>> Повністю закрийте дверцята.
- Прилад щойно увімкнений або завантажений новими продуктами. >>> Це нормально. Прилад потребує більш часу для досягнення потрібної температури у випадку, коли він щойно увімкнений або завантажений новими продуктами.
- Велика кількість гарячих продуктів була нещодавно розміщена в приладі. >>> Не кладіть у прилад гарячі продукти.

Тряска або шум.

- Підлога нерівна або не міцна. >>> Якщо прилад тремтить при повільному переміщенні, відрегулюйте ніжки для балансування приладу. Також переконайтеся, що підлога достатньо міцна і здатна витримати прилад.
- Будь-які предмети, розташовані в приладі, можуть викликати шум. >>> Видаліть всі предмети, розташовані в приладі.

Прилад шумить внаслідок течії та розпорошення рідини, тощо.

- Принцип роботи приладу включає в себе протікання рідини та газу. >>> Це цілком нормально і не є несправністю.

Зсередини приладу виходить звук вітру.

- Прилад використовує вентилятор для охолодження. Це цілком нормально і не є несправністю.

Утворення конденсату на внутрішніх стінках продукту.

- Спекотна або волога погода сприяє утворенню льоду та конденсації. Це цілком нормально і не є несправністю.
- Дверцята відкривалися часто або залишалися відкритими протягом тривалого часу. >>> Не відчиняйте дверцята занадто часто; якщо дверцята відкриті, закрийте їх.
- Дверцята можуть бути прочинені. >>> Повністю закрийте дверцята.

Утворення конденсату на зовнішній поверхні або між дверима.

- Навколишня середа може бути вологою; при вологій погоді це цілком нормально. >>> Коли волога зменшиться, конденсація зникне.

Внутрішня поверхня погано пахне.

Усунення несправностей

- Очищення приладу не проводиться регулярно. >>> Вимийте внутрішню частину приладу, використовуючи губку, теплу воду та розчин питної соди в воді.
- Деякі тримачі та пакувальні матеріали можуть викликати появу неприємного запаху. >>> Використовуйте тримачі та пакувальні матеріали, які не викликають запаху.
- Продукти були поміщені в незапечатані упаковки. >>> Зберігайте продукти в закритих упаковках. Мікроорганізми можуть поширюватися в продуктах харчування з негерметичними упаковками та викликати неприємний запах.
- Видаліть з приладу всі прострочені або зіпсовані продукти.

Дверцята не зачиняються.

- Продукти можуть заважати зачиненню дверцят. >>> Змініть розташування продуктів так, щоб вони не заважали зачиненню дверцят.
- Прилад не стоїть на підлозі вертикально. >>> Відрегулюйте ніжки для балансування приладу.
- Підлога нерівна або не міцна. >>> Переконайтеся, що підлога є достатньо міцною і здатна витримати прилад.

Ящик для овочів застряг.

- Харчові продукти можуть контактувати з верхньою частиною висувного ящика. >>> Змініть розташування продуктів в ящику.

Якщо поверхня пристрою є гарячою

- Під час роботи пристрою простір між двома дверима, бічні панелі й задня решітка можуть нагріватися до високої температури. Це цілком нормально і не потребує технічного обслуговування.



ПОПЕРЕДЖЕННЯ:

Якщо проблема не усувається після виконання вказівок, які надаються у цьому розділі, треба зв'язатися з постачальником або з представником авторизованої сервісної служби. Не намагайтеся самостійно ремонтувати прилад.

Офіційний представник на території України: ТОВ «Беко Україна»,
адреса: 03150, м. Київ, вул. Антоновича, буд. 72 тел/факс.: 0-800-500-4-3-2”

Інформацію про сертифікацію продукту Ви можете уточнити
зателефонувавши на гарячу лінію 0-800-500-4-3-2.

Термін служби десять років

Уважаемый покупатель,

Мы хотим, чтобы Вы извлекли максимальную пользу из нашей продукции, изготовленной с помощью современного оборудования в условиях тщательного контроля качества.

Для этого перед использованием полностью прочитайте руководство по эксплуатации устройства и сохраните руководство в качестве источника для справок. Если вы передадите устройство другому лицу, передайте вместе с ним и данное руководство.

Соблюдайте руководство по эксплуатации для быстрого и безопасного использования устройства.

- Прочтите руководство по эксплуатации перед установкой и использованием устройства.
- Всегда соблюдайте соответствующие правила техники безопасности.
- Храните Руководство по эксплуатации под рукой для использования в будущем.
- Прочтите все другие документы, поставляемые с данным устройством.

Имейте в виду, что настоящее руководство по эксплуатации может применяться к нескольким моделям устройства. В руководстве ясно указаны все различия между разными моделями.

Символы и примечания

В руководстве по эксплуатации используются следующие символы:

| | |
|--|---|
|  | Важная информация и полезные советы. |
|  | Опасности для жизни и имущества. |
|  | Опасность поражения электрическим током. |
|  | Упаковка устройства изготовлена из вторсырья в соответствии с национальным законодательством об окружающей среде. |

1 Указания по технике безопасности и защите окружающей среды 4

| | |
|---|----|
| Общие правила техники безопасности..... | 4 |
| Использование по назначению..... | 8 |
| Безопасность детей..... | 9 |
| Соответствие Директиве по утилизации отходов электрического и электронного оборудования (WEEE) и утилизация холодильника..... | 10 |
| Соответствие Директиве ЕС по ограничению использования вредных веществ (RoHS) | 10 |
| Информация об упаковке..... | 10 |

2 Описание холодильника 11

3 Установка 12

| | |
|--|----|
| Правила транспортировки холодильника | 12 |
| Подготовка к эксплуатации | 12 |
| Утилизация упаковки..... | 13 |
| Утилизация старого холодильника | 13 |
| Размещение и установка..... | 13 |

4 Подготовка 15

5 Использование холодильника 17

| | |
|--|----|
| Установка температуры..... | 17 |
| Замораживание свежих продуктов | 19 |
| Рекомендации по хранению замороженных продуктов..... | 20 |
| Информация о глубоком замораживании | 20 |

6 Обслуживание и очистка 22

7 Поиск и устранение неисправностей 23

окружающей среды

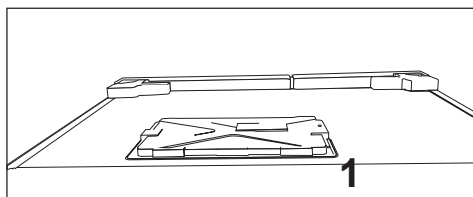
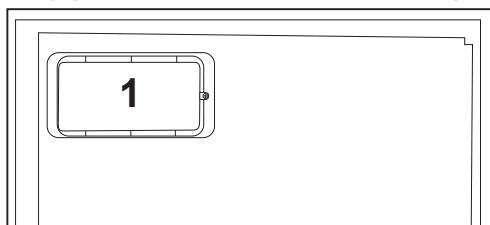
В этом разделе приведены указания по технике безопасности, соблюдение которых необходимо для предотвращения получения травм и материального ущерба. Несоблюдение этих указаний приведет к полному аннулированию гарантийных обязательств в отношении данного изделия.

1.1. Общие правила техники безопасности

- К эксплуатации холодильника не должны допускаться люди с физическими, сенсорными и психическими отклонениями без наличия навыков и опыта обращения с подобными приборами, а также дети. Эксплуатация холодильника такими людьми должна проводиться только под наблюдением лица, ответственного за их безопасность, после проведения соответствующего инструктажа. Не разрешайте детям играть с холодильником.
- В случае ненормальной работы холодильника отключите его от электрической сети (вытащите штепсельную вилку шнура питания из розетки).
- После извлечения вилки питания из розетки подождите не менее 5 минут, прежде чем вставлять ее снова.
- Отключайте холодильник от сети электропитания, когда он не используется.
- Не прикасайтесь к штепсельной вилке шнура питания влажными руками! Не дергайте за кабель, чтобы вытащить штепсельную вилку. Всегда беритесь за корпус штепсельной вилки.
- Перед вставкой вилки в розетку протрите контакты вилки питания чистой сухой тканью.
- Не вставляйте вилку питания холодильника в разболтанную розетку (в которой вилка держится плохо).

Указания по безопасности и охране окружающей среды

- Необходимо отключать холодильник от электросети во время установки, технического обслуживания, очистки и ремонта.
- Если холодильник не будет эксплуатироваться некоторое время, отсоедините его вилку питания от розетки и уберите из него все продукты.
- Запрещается эксплуатация холодильника при открытом отсеке с печатными платами, расположенном вверху в задней части холодильника (крышка отсека с электрическими платами) (1).



Не используйте парогенераторы и парообразные очищающие материалы для очистки холодильника и плавления образовавшегося внутри льда. Пар может попасть в зоны с электрооборудованием и привести к короткому замыканию электрических цепей или к поражению электрическим током.

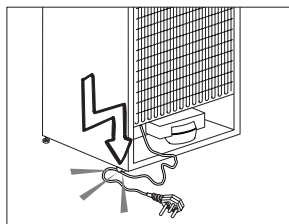
- Не выполняйте очистку холодильника распыляя или выливая на него воду! Опасность поражения электрическим током!
- В случае возникновения неисправности прекратите эксплуатацию электроприбора, так как это может

привести к поражению электрическим током. Прежде чем выполнить какие-либо действия, обратитесь в авторизованный сервисный центр.

- Подключайте холодильник к розетке с заземлением. Заземление цепи питания должно быть выполнено квалифицированным электриком.
- Если в холодильнике используется светодиодное освещение, в случае возникновения каких-либо проблем или для замены освещения обращайтесь в авторизованный сервисный центр.
- Не прикасайтесь к замороженным продуктам влажными руками! Руки могут примерзнуть!
- Не помещайте жидкости в бутылках и банках в морозильную камеру. Их может разорвать!
- Помещайте жидкости в вертикальном положении с плотно закрытой крышкой.
- Не распыляйте воспламеняемые вещества рядом с холодильником, так как они могут воспламениться или взорваться.
- Запрещается хранить воспламеняемые вещества и предметы с воспламеняемым газом (аэрозоли и т.п.) в холодильнике.
- Не ставьте сосуды с жидкостью на холодильник. Пролив воды на детали под напряжением может привести к поражению электрическим током или к опасности возгорания.
- Воздействие дождя, снега, солнечных лучей или ветра может привести к поражению электрическим током. При перестановке холодильника не переносите его за дверную ручку. Ручка может оторваться.
- Соблюдайте осторожность, чтобы не защемить руки или части тела в движущихся частях внутри холодильника.

Указания по безопасности и охране окружающей среды

- Не поднимайтесь и не облокачивайтесь на дверь, ящики и другие части холодильника. Это может привести к опрокидыванию холодильника и повреждению деталей.
- Соблюдайте осторожность, чтобы не запутаться в шнуре питания.



1.1.1 Предупреждение об опасности для жизни

Если в холодильнике используется охлаждающая система, работающая на газе-хладагенте R600a, не допускайте повреждения системы охлаждения и ее трубок в процессе эксплуатации и перемещения холодильника. Этот хладагент огнеопасен. В случае повреждения системы охлаждения отодвиньте холодильник от источника огня и немедленно проветрите помещение.



На этикетке на боковой внутренней поверхности холодильника слева указан тип используемого в холодильнике газа-хладагента.

1.1.2 Для моделей с фонтанчиком для питья

- Давление холодной воды на входе должно составлять максимум 90 фунтов на квадратный дюйм (6,2 бар). Если давление воды будет превышать 80 фунтов на квадратный дюйм (5,5 бар), следует использовать для в водопроводной системы клапан ограничения давления. Если Вы не

знаете, как проверить давление воды, обратитесь за помощью к профессиональному сантехнику. Если во время установки существует риск гидравлического удара, всегда используйте оборудование для предотвращения гидроудара. Если Вы не уверены в отсутствии риска гидроудара, обратитесь к профессиональным сантехникам.

- Не устанавливайте на входе горячей воды. Следует предпринять необходимые меры предосторожности для предотвращения риска замерзания шлангов. Рабочий интервал температур воды будет составлять не менее 33°F (0,6°C) и не более 100°F (38°C).
- Используйте только питьевую воду.

1.2. Использование по назначению

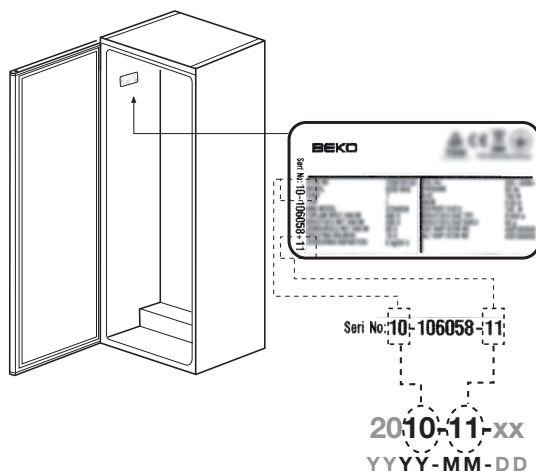
- Холодильник предназначен для бытового использования. Холодильник не предназначен для использования в коммерческих целях.
- Холодильник предназначен только для хранения еды и напитков.
- Не храните в холодильнике вещества, которые должны храниться строго при определенной температуре (вакцины, чувствительные к условиям хранения, медикаменты, медицинские препараты и т.п.).
- Изготовитель холодильника не несет ответственности за ущерб, связанный с неправильной эксплуатацией холодильника или его использованием по назначению.

Указания по безопасности и охране окружающей среды

- Гарантированный срок службы холодильника составляет 10 лет. В течение этого периода будут выпускаться запасные части, которые могут потребоваться для обеспечения работоспособности изделия.
- Безопасность детей
- Упаковочные материалы храните в недоступном для детей месте.
- Не разрешайте детям играть с холодильником.
- Если дверь холодильника оснащена замком, держите ключ вне зоны доступа детей.

1.3. Безопасность детей

- Если на дверце есть замок, ключ следует хранить в недоступном для детей месте.
- Следует присматривать за детьми и не разрешать им портить холодильник.



Технические характеристики

| | |
|------------------------------------|----|
| Класс энергетической эффективности | A+ |
| Класс защиты | 1 |

- Степень защиты IP 42

1.4. Соответствие Директиве по утилизации отходов электрического и электронного оборудования (WEEE) и утилизация холодильника

Изделие соответствует требованиям Директивы по утилизации отходов электрического и электронного оборудования Европейского Союза (2012/19/ЕС). Данное изделие имеет маркировку, указывающую на утилизацию его как электрического и электронного оборудования (WEEE).



Это изделие произведено из высококачественных деталей и материалов, которые подлежат повторному использованию и переработке. Поэтому не выбрасывайте изделие с обычными бытовыми отходами после завершения его эксплуатации. Его следует сдать в соответствующий центр по утилизации электрического и электронного оборудования. О местонахождении таких центров вы можете узнать в местных органах власти.

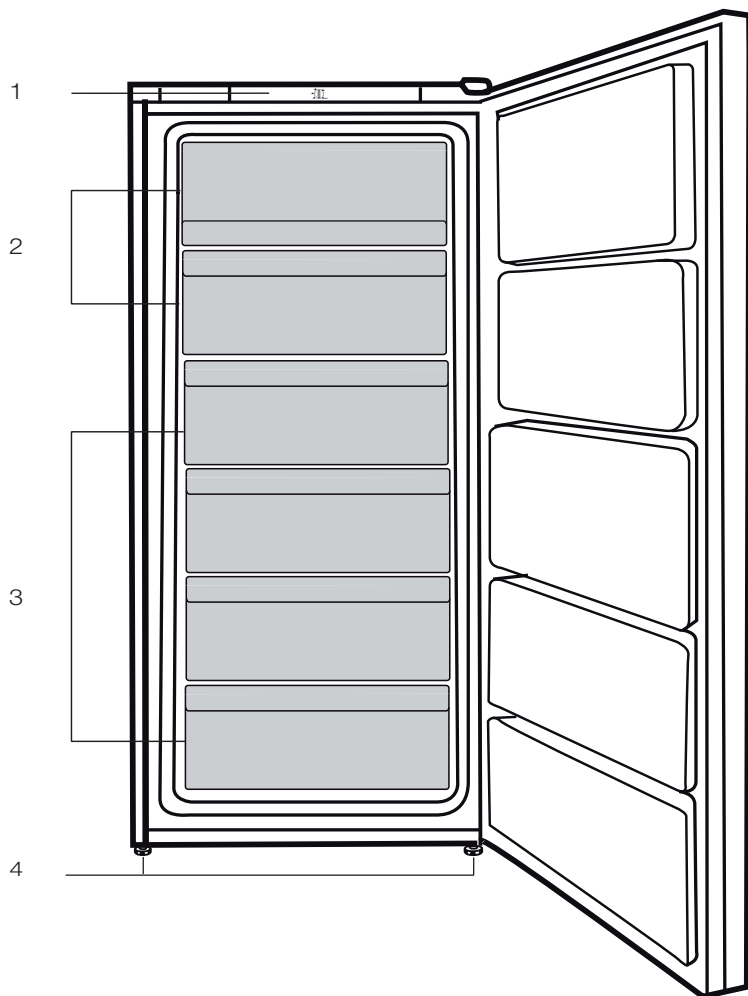
1.5. Соответствие Директиве ЕС по ограничению использования вредных веществ (RoHS)

- Изделие соответствует требованиям Директивы по утилизации отходов электрического и электронного оборудования Европейского Союза (2011/65/EU). Оно не содержит вредных и запрещенных материалов, указанных в Директиве.

1.6. Информация об упаковке

- Упаковка изделия изготовлена из материалов, подлежащих вторичной переработке, в соответствии с местными нормативами и правилами касательно защиты окружающей среды. Не утилизируйте упаковочные материалы вместе с бытовыми или другими отходами. Отнесите их в один из пунктов приема упаковочных материалов, назначенных местными органами власти.

2 Описание холодильника



1. Панель управления
2. Клапан (камера быстрого замораживания)
3. Выдвижные ящики
4. Регулируемые передние ножки



Иллюстрации в данной инструкции являются схематичными и могут не соответствовать вашей модели. Некоторые компоненты, которые не входят в состав приобретенного вами изделия, используются в других моделях.



Учтите, что производитель не несет ответственности в случае несоблюдения указаний, приведенных в данном руководстве.

3.1. Правила транспортировки холодильника

1. Перед транспортировкой следует вынуть из холодильника все продукты и вымыть его.
2. Перед упаковкой следует надежно закрепить все полки, оборудование, контейнеры для овощей и фруктов и т.п. при помощи клейкой ленты, чтобы предохранить их от тряски.
3. Холодильник следует обвязать лентами из плотного материала и прочными веревками. При транспортировке следует придерживаться правил, напечатанных на упаковке.

Не забывайте о том, что...

Вторичное использование материалов очень важно для сохранения природы и наших национальных богатств.

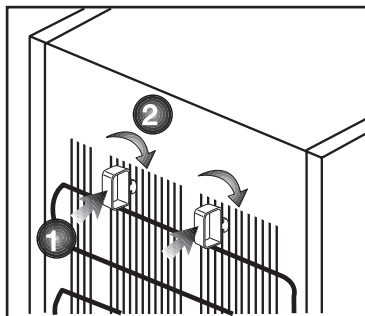
Если вы решите сдать упаковочные материалы на переработку, обратитесь за подробной информацией в организации по охране окружающей среды или в местные органы власти.

3.2. Подготовка к эксплуатации

Перед началом эксплуатации холодильника выполните следующие действия.

1. Убедитесь, что внутри холодильника сухо, и воздух может свободно циркулировать позади холодильника.

2. Можно установить два пластиковых упора, как показано на рисунке. Пластиковые упоры обеспечат необходимое расстояние между холодильником и стеной для надлежащей циркуляции воздуха. (Изображение на рисунке предназначено только для иллюстрации и не совпадает полностью с вашим изделием.)



3. Выполните чистку холодильника в соответствии с рекомендациями, приведенными в разделе "Обслуживание и чистка".
4. Подключите холодильник к электрической сети. При открытии двери холодильника включается лампочка внутреннего освещения.
5. При запуске компрессора будет слышен шум. Жидкость и газы, находящиеся внутри герметичной системы охлаждения, также могут создавать шум, независимо от того, работает компрессор или нет, что является вполне нормальным явлением.

6. Передние кромки холодильника могут казаться теплыми на ощупь. Это нормально. Эти области подогреваются, чтобы предупредить конденсацию.

Подключение к электросети

Подсоедините холодильник к заземленной розетке с предохранителем соответствующего номинала.

- Важное замечание
- Подключение следует выполнять в соответствии с местными нормами и правилами.
- Место подключения шнура питания к розетке должно быть легкодоступным.
- Напряжение в сети должно соответствовать данным, указанным в характеристиках холодильника.
- Запрещается использовать при установке удлинители и многоместные розетки.



ПРЕДУПРЕЖДЕНИЕ: Замену поврежденного шнура питания должен выполнять квалифицированный электрик.



ПРЕДУПРЕЖДЕНИЕ: Запрещается пользоваться неисправным электроприбором! Это может привести к поражению электрическим током.

3.3. Утилизация упаковки

Упаковочные материалы могут быть опасны для детей. Храните упаковочные материалы в недоступном для детей месте или выбросьте их, рассортировав в соответствии с правилами утилизации отходов. Не выбрасывайте их вместе с обычными бытовыми отходами.

Упаковка холодильника изготовлена из материалов, подлежащих вторичной переработке.

3.4. Утилизация старого холодильника

Утилизация старого прибора должна выполняться экологически безопасным способом.

- Сведения об утилизации прибора можно получить у официального дилера или в пункте сбора отходов по месту жительства.

Перед утилизацией холодильника следует отрезать шнур питания и сломать замки на дверцах (при наличии), чтобы предотвратить опасные ситуации для детей.

3.5. Размещение и установка



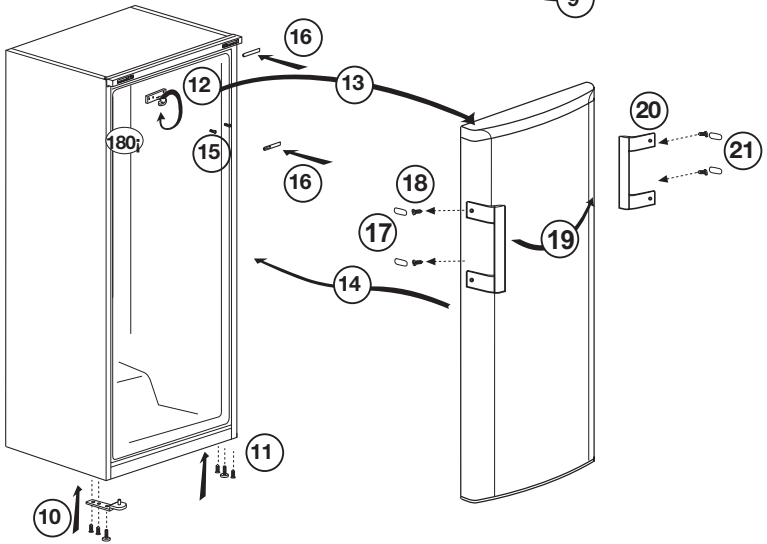
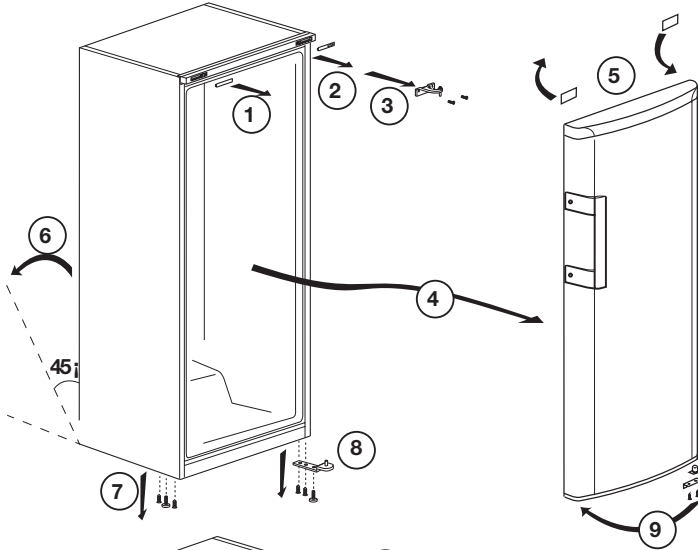
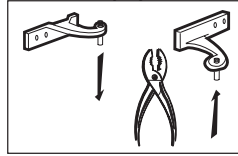
Если дверь помещения, в котором будет установлен холодильник, недостаточно широка, можно снять дверцы холодильника и внести его в дверь боком. Для того чтобы снять дверцы, обратитесь в фирменный сервисный центр

1. Устанавливайте холодильник в удобном для использования месте.
2. Холодильник следует устанавливать в местах, защищенных от прямых солнечных лучей, вдали от источников тепла и повышенной влажности.
3. Для более эффективной работы необходимо обеспечить хорошую вентиляцию вокруг холодильника.
4. Если холодильник устанавливается в нише, минимальное расстояние до потолка и стен должно быть не менее 5 см. При установке на ковровое покрытие следует приподнять холодильник на 2.5 см от пола.
5. Холодильник следует устанавливать на ровную поверхность, иначе может возникать вибрация.

4 Подготовка

- Ваш холодильник следует установить, по крайней мере, в 30 см от источников тепла, таких как газовые конфорки, плиты, батареи центрального отопления и печи, и, по крайней мере, в 5 см от электрических плит, в месте, куда не попадает прямой солнечный свет.
- Содержите внутреннее пространство холодильника в чистоте.
- Если два холодильника устанавливаются рядом, то между ними должно быть расстояние не менее 2 см.
- При первом включении холодильника просим соблюдать следующие инструкции во время первых шести часов работы.
- Не открывайте дверцу слишком часто.
- Не загружайте в холодильник продукты.
- Не отключайте холодильник от электрической сети. Если произошло отключение электроэнергии не по вашей вине, см. указания в разделе «Рекомендации по устранению неполадок».
- Оригинальную упаковку и пленку следует сохранить для последующей транспортировки или перевозки изделия.
- Этот прибор, в котором предусмотрены описанные в таблице температурные режимы, оснащен электронной системой регулирования температуры [Advanced Electronic Temperature Control System, AETCS], благодаря которой при установке рекомендованного режима [положение регулятора термостата 4] в морозильном отделении поддерживается постоянная температура, и замороженные продукты не растают, даже если температура в помещении упадет до -15°C . После достижения устойчивого рабочего режима прибор можно перенести в другое место, например, в гараж или другое неотапливаемое помещение, не опасаясь, что продукты могут растаять. Однако учтите, что при очень низкой температуре в помещении продукты в морозильном отделении могут смерзнуться. Поэтому следует регулярно проверять морозильное отделение и использовать хранящиеся там продукты. Когда температура в помещении снова станет нормальной, можно при необходимости установить регулятор термостата в другое положение.
- Если температура помещения ниже 0°C , продукты в холодильном отделении заморозятся, поэтому не рекомендуем использовать холодильное отделение при таких низких температурах. При этом морозильное отделение холодильника будет работать как обычно.
- В некоторых моделях панель управления автоматически отключается через 5 минут после закрывания дверцы. Она включается снова при открывании дверцы или нажатии любой кнопки.
- Конденсация влаги на полках дверцы/корпуса и стеклянных контейнерах является нормальным явлением и возникает благодаря изменению температуры при открытии/закрытии дверцы во время работы изделия.

(12)



5 Использование холодильника

5.1. Установка температуры



Рабочая температура регулируется соответствующим регулятором.

1 = Наименьшее значение охлаждения (самая высокая температура)

MAX. = Самое высокое значение охлаждения (самая низкая температура)

* Дополнительно активирует функцию быстрой заморозки.

Установите значение, соответствующее нужной температуре.

Температура внутри холодильника также зависит от температуры окружающей среды, частоты открывания дверцы и количества хранимых продуктов.

Частое открывание дверцы ведет к повышению температуры внутри холодильника.

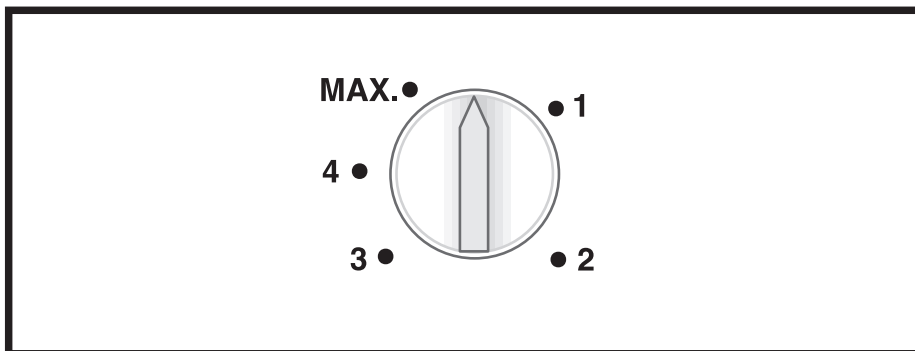
По этой причине рекомендуется как можно скорее закрывать дверцу по минувании надобности.

Нормальная температура хранения продуктов должна составлять -18°C . Для установки более низкой температуры ручку термостата необходимо поворачивать в направлении положения MAX.

Мы рекомендуем проверять температуру с помощью термометра, чтобы обеспечить поддержание нужной температуры в отделениях для хранения продуктов. Помните, что снимать показания термометра необходимо очень быстро, так как его температура после извлечения из морозильного отделения будет стремительно повышаться.



Иллюстрации в данной инструкции являются схематичными и могут не соответствовать вашей модели. Некоторые компоненты, которые не входят в состав приобретенного вами изделия, используются в других моделях.



Ручка термостата

Ручка термостата расположена сверху.

Важное замечание

При нажатии выключателя быстрого замораживания или регулировке температуры возможна кратковременная задержка начала работы компрессора. Это нормально и не является дефектом компрессора.

Замораживание

Замораживание продуктов

Прибор можно использовать для замораживания свежих продуктов, а также для хранения предварительно замороженных продуктов.

Следуйте рекомендациям, приведенным на упаковке продуктов.

• **Внимание**

Не замораживайте газированные напитки, потому что бутылка может взорваться при замерзании в ней жидкости.

Будьте осторожны с замороженными продуктами, например, с цветными кубиками льда.

Не превышайте суточной производительности холодильника по замораживанию. См. паспортную табличку.

Для сохранения качества продуктов замораживание следует проводить как можно быстрее.

При этом мощность по замораживанию не должна превышать, и температура внутри морозильного отделения не будет повышаться.

• **Внимание**

Продукты глубокой заморозки всегда храните отдельно от только что помещенных в морозильное отделение продуктов.

При глубокой заморозке горячих продуктов компрессор охлаждения будет работать до тех пор, пока они не будут полностью заморожены. Это может привести к временному чрезмерному охлаждению морозильного отделения.

Не беспокойтесь, если дверцу морозильника тяжело открыть сразу же после того, как вы ее закрыли. Это связано с перепадом давления, которое через несколько минут уравнивается, и дверцу можно будет нормально открыть.

Сразу после закрытия дверцы вы услышите звук вакуума. Это вполне нормально.

Быстрая заморозка

Если предстоит заморозить большое количество свежих продуктов, установите ручку термостата в положение «max.» (макс.) за 24 часа до того, как поместить свежие продукты в морозильное отделение.

Настоятельно рекомендуется устанавливать ручку термостата в положение MAX (макс.) как минимум на 24 часа, чтобы замораживать максимальное количество свежих продуктов, указанное в технических характеристиках как Производительность по замораживанию. Обратите особое внимание на то, чтобы не смешивать замороженные и свежие продукты.

Как только продукты заморозятся, не забудьте повернуть ручку термостата в предыдущее положение.

5.2. Замораживание свежих продуктов

- Рекомендуется завернуть или накрыть продукты перед тем, как помещать их в холодильник.
 - Горячие продукты нужно сначала остудить до комнатной температуры, и только затем помещать в холодильник.
 - Замораживаемые продукты должны быть качественными и свежими.
 - Продукты должны быть разделены на порции, соответствующие ежедневному потреблению семьи либо используемые при приготовлении блюд для одного приема пищи.
 - Продукты, даже если они будут храниться недолго, нужно помещать в герметичную упаковку, чтобы предотвратить их высыхание.
 - Материалы, используемые для упаковки, должны быть прочными и устойчивыми к холоду, влажности, запахам, маслам и кислотам, а также воздухонепроницаемыми. Материалы, из которых изготовлена упаковка, должны быть пригодны для глубокой заморозки. Кроме того, упаковка должна плотно закрываться.
 - Замороженные продукты необходимо использовать сразу после размораживания. Их нельзя замораживать снова.
 - Для достижения наилучших результатов придерживайтесь приведенных ниже указаний.
1. Не замораживайте большое количество продуктов одновременно. Качество продуктов

сохраняется лучше всего, если они полностью промерзают за как можно более короткое время.

- Если поместить в морозильное отделение теплые продукты, системе охлаждения придется работать непрерывно, пока они не замерзнут полностью.
- Ни в коем случае не храните вместе замороженные и свежие продукты.

5.3. Рекомендации по хранению замороженных продуктов

- Упакованные продукты, замороженные промышленным способом, следует хранить в соответствии с инструкциями их изготовителей для камер хранения замороженных продуктов класса ******* (4 звезды).
- Чтобы сохранить качество продуктов, замороженных промышленным способом, следуйте таким правилам:
 - Сразу же помещайте купленные продукты в морозильник.
 - Проверьте, есть ли на упаковке этикетка и дата изготовления/срок годности.
 - Не превышайте сроки употребления и хранения, указанные на упаковке.

Размораживание

Морозильное отделение размораживается автоматически.

Размещение продуктов

| | |
|--|--|
| Полки морозильного отделения | Различные замороженные продукты, такие как мясо, рыба, мороженое, овощи и т.п. |
| Лоток для яиц | Яйца |
| Полки холодильного отделения | Продукты в кастрюлях, на накрытых тарелках, в закрытых контейнерах |
| Полки на дверце холодильного отделения | Мелкие продукты и упаковки, напитки (например, молоко, фруктовый сок и пиво) |
| Контейнер для овощей и фруктов | Овощи и фрукты |
| Отделение для свежих продуктов | Деликатесы (сыры, сливочное масло, колбаса и т. п.) |

5.4. Информация о глубоком замораживании

Чтобы сохранить качество продуктов, помещенных в холодильник, их нужно замораживать как можно быстрее.

По нормам Турецкого института стандартов (определенными для соответствующих условий измерения) требуется, чтобы за 24 часа при температуре окружающего воздуха 32°C на каждые 100 литров объема морозильной камеры холодильника можно было заморозить 4,5 кг продуктов до температуры не менее -18°C.

Продукты можно хранить длительное время только при температуре не выше -18°C.

Продукты могут сохранять свежесть в течение многих месяцев (в условиях глубокой заморозки при температуре не выше -18°C).



ВНИМАНИЕ!

- Продукты нужно делить на порции, которые требуются для приготовления блюд или которые можно употребить за день.

- Продукты, даже если они будут храниться недолго, нужно помещать в герметичную упаковку, чтобы предотвратить их высыхание.

Материалы, необходимые для упаковки:

- Морозостойкая клейкая лента
- Самоклеящаяся этикетка
- Резиновые кольца
- Ручка

Материалы, используемые для упаковки, должны быть прочными и устойчивыми к холоду, влажности, запахам, маслам и кислотам.

Еже не замороженные продукты не должны соприкасаться с замороженными, чтобы предотвратить их частичное оттаивание.

Замороженные продукты необходимо использовать сразу после размораживания. Их нельзя замораживать снова.

- Активируйте функцию «Быстрая заморозка» не менее чем за 24 часа до помещения продуктов в холодильник.

- Положите два хладоэлемента (если есть)

- в нижний ящик.

- Разместите свежие продукты на вторую и третью снизу полки. (можно максимум увеличить вместимость, удалив выдвижные ящики).

Периодическая очистка устройства продлевает срок его службы.



ПРЕДУПРЕЖДЕНИЕ: Перед началом очистки отключите холодильник от электросети.

- Не используйте при очистке острые, абразивные средства, мыло, материалы для уборки в доме, чистящие средства, газ, бензин, лаковые и подобные вещества.
- Растворите в воде чайную ложку карбоната. Смочите в воде и отожмите тряпку. Вытрите устройство этой тряпкой, а затем тщательно высушите.
- Будьте осторожны, не заденьте крышку лампы и другие электрические части.
- Дверцу очищайте влажной тканью. Чтобы снять полки на дверце и передвижные полки, извлеките все продукты. Чтобы снять полки на дверце, приподнимите их. Очистите и высушите полки, затем прикрепите их обратно, задвинув сверху.
- Не используйте хлорированную воду или чистящие средства на внешней поверхности и хромированных частях устройства. Хлор вызовет ржавчину на таких металлических поверхностях.

6.1. Предотвращение неприятных запахов

Устройство не содержит материалов с запахом. ем не менее, хранение пищевых продуктов в не предназначенных для них отделениях, а также ненадлежащая очистка поверхностей могут вызвать неприятные запахи.

Чтобы этого не случилось, очищайте внутреннюю поверхность сатурированной водой каждые 15 дней.

- Храните пищу в закрытых упаковках. Из незакрытых пищевых продуктов могут выделяться микроорганизмы, вызывающие неприятные запахи.
- Не храните в холодильнике испорченные или продукты с истекшим сроком хранения.
- Не используйте острые и абразивные инструменты или мыло, бытовые чистящие средства, синтетические моющие средства, бензин, бензол, воск и т.д., иначе маркировка на пластиковых деталях исчезнет, и будет иметь место деформация. Используйте для очистки и вытирания насухо теплую воду и мягкую ткань.

6.2. Защита пластиковых поверхностей

Попадание масел на пластиковую поверхность может повредить ее, поэтому следует незамедлительно очистить поверхность теплой водой.

Прежде чем обращаться в сервисный центр, ознакомьтесь с данным разделом. Это поможет вам сэкономить ваше время и деньги. В этом списке описаны наиболее частые жалобы, не относящиеся к браку производства или материалов. Некоторые упомянутые ниже функции могут быть не применимы к вашей модели.

Холодильник не работает.

- Вилка недостаточно прочно зафиксирована. >>> *Воткните ее так, чтобы он полностью вошел в розетку.*
- Перегорел предохранитель, соединяющийся с питающей продукт розеткой или основной предохранитель. >>> *Проверьте предохранители.*

Образование конденсата на боковой стенке холодильной камеры (MULTI ZONE, COOL, CONTROL и FLEXI ZONE).

- Дверца открывается слишком часто >>> *Старайтесь не открывать дверцу устройства слишком часто.*
- Слишком влажно. >>> *Не устанавливайте устройство в среде с высокой влажностью.*
- Пищевые продукты, содержащие жидкости, хранятся в незакрытых упаковках. >>> *Храните содержащие жидкости продукты в закрытых упаковках.*
- Дверца устройства оставлена открытой. >>> *Не оставляйте дверцу устройства открытой надолго.*
- Термостат установлен на слишком низкую температуру. >>> *Установите термостат на надлежащую температуру.*

Не работает компрессор.

- В случае внезапного отключения электропитания или вытаскивания, а затем включения вилки обратно в розетку давление газа в холодильной системе устройства разбалансируется, это вызывает включение теплового предохранителя компрессора. Устройство перезапустится примерно через 6 минут. Если устройство не перезапустилось по истечении этого времени, обратитесь в сервисную службу.
- Включена разморозка. >>> *Это стандартная установка для полностью автоматического размораживающего устройства. Разморозка проводится периодически.*
- Вилка устройства не включена в розетку. >>> *Убедитесь, что шнур электропитания включен в розетку.*
- Неверная установка температуры. >>> *Выберите подходящие настройки температуры.*
- Отключено электропитание. >>> *Устройство работает в стандартном режиме, как только будет возобновлено электропитание.*

Звук работающего холодильника в ходе работы становится громче.

- Рабочие характеристики устройства могут меняться в зависимости от изменений температуры окружающей среды. Это нормально и не является поломкой.

Поиск и устранение неисправностей

Холодильник течет слишком часто или слишком долго.

- Новый холодильник может быть больше предыдущего. Большие холодильники текут дольше.
- Комнатная температура может быть высокой. >>> *При более высокой температуре холодильник обычно течет более длительные периоды времени.*
- Холодильник недавно подключен или внутрь помещен новый пищевой продукт. >>> *Когда холодильник недавно подключен или внутрь помещен новый продукт, для достижения установленной температуры требуется больше времени. Это нормально.*
- Возможно, в холодильник недавно поместили большое количество горячей пищи. >>> *Не помещайте в холодильник горячую пищу.*
- Дверцы открывались часто или оставались открытыми длительные периоды времени. >>> *Попадание внутрь теплого воздуха приведет к тому, что холодильник течет дольше. Не открывайте дверцы слишком часто.*
- Дверца морозильной или холодильной камеры может быть неплотно закрыта. >>> *Убедитесь, что дверцы плотно закрыты.*
- Устройство может быть установлено на слишком низкую температуру. >>> *Установите холодильник на более высокий показатель и дождитесь когда он достигнет исправленной температуры.*
- Шайба дверцы холодильной или морозильной камеры может быть загрязнена, изношена, сломана или не установлена должным образом. >>> *Очистите или замените шайба. Поврежденная/порванная шайба может привести к тому, что устройство будет течь дольше, чтобы сохранить текущую температуру.*

Температура морозильной камеры очень низкая, но температура холодильной камеры правильная.

- Температура морозильной камеры установлена на очень низкий уровень. >>> *Установите температуру морозильной камеры на более высокий уровень и проверьте заново.*

Температура холодильной камеры очень низкая, но температура морозильной камеры правильная.

- Температура холодильной камеры установлена на очень низкий уровень. >>> *Установите температуру холодильной камеры на более высокий уровень и проверьте заново.*

Пищевые продукты, содержащиеся на полках холодильной камеры, заморожены.

- Температура холодильной камеры установлена на очень низкий уровень. >>> *Установите температуру морозильной камеры на более высокий уровень и проверьте заново.*

Поиск и устранение неисправностей

Слишком высокая температура в холодильной или морозильной камере.

- Температура холодильной камеры установлена на очень высокий уровень. >>> *Настройки температуры холодильной камеры влияют на температуру в морозильной камере. Измените температуру в холодильной или морозильной камере и дождитесь, когда в соответствующей камере будет достигнута новая температура.*
- Дверцы открывались часто или оставались открытыми длительные периоды времени. >>> *Не открывайте дверцы слишком часто.*
- Дверца закрыта неплотно. >>> *Закройте дверцу плотно.*
- Холодильник недавно подключен или внутрь помещен новый пищевой продукт. >>> *Это нормально. Когда устройство недавно подключено или внутрь помещен новый продукт, для достижения установленной температуры требуется больше времени.*
- Возможно, в холодильник недавно поместили большое количество горячей пищи. >>> *Не помещайте в устройство горячую пищу.*

Тряска или шум.

- Поверхность пола неровная или неустойчивая. >>> *Если устройство трясется при медленном перемещении, отрегулируйте стойки для выравнивания устройства. Также проверьте, достаточно ли устойчива поверхность для размещения на ней устройства.*
- Размещение любых предметов на холодильнике может вызвать шум. >>> *Уберите любые предметы с устройства.*

Холодильник издает звуки текущей воды, распыления и т.п.

- Принципы работы устройства включают в себя потоки воды и газа. >>> *Это нормально и не является поломкой.*

Из холодильника слышен звук, похожий на порывы ветра.

- Устройство использует для процесса охлаждения вентилятор. Это нормально и не является поломкой.

На внутренних стенках холодильника образовывается конденсат.

- Жаркая или влажная погода провоцирует обледенение и конденсацию. Это нормально и не является поломкой.
- Дверцы открывались часто или оставались открытыми длительные периоды времени. >>> *Не открывайте дверцы слишком часто; если открыли, закройте.*
- Дверца закрыта неплотно. >>> *Закройте дверцу плотно.*

На внешней стороне устройства или между дверцами образовывается конденсат.

- Погода окружающей среды может быть влажной, это вполне нормально при влажной погоде. >>> *Конденсат исчезнет, когда снизится влажность.*

Внутри плохо пахнет.

- Устройство не очищается регулярно. >>> *Регулярно очищайте внутри устройства губкой, теплой и сатурированной водой.*
- Некоторые виды материалов, из которых состоят контейнеры и упаковки, могут давать запах. >>> *Используйте контейнеры и упаковки из не пахнущих материалов.*
- Продукты были помещены в незакрывающиеся контейнеры. >>> *Храните продукты в закрытых контейнерах. Из незакрытых пищевых продуктов могут выделяться микроорганизмы, вызывающие неприятные запахи.*
- Убирайте испорченные или продукты с истекшим сроком хранения из холодильника.

Поиск и устранение неисправностей

Дверца не закрывается.

- Упаковки с продуктами могут мешать закрытию дверцы. >>> *Переместите предметы, блокирующие дверцу.*
- Устройство не стоит на поверхности строго вертикально. Отрегулируйте стойки для балансировки холодильника.
- Поверхность пола неровная или неустойчивая. >>> *Проверьте, достаточно ли ровна и устойчива поверхность для размещения на ней холодильника.*

Емкость для овощей застрял.

- Пищевые продукты могут задевать верхнюю часть ящика. >>> *Переложите пищевые продукты в ящике.*



ПРЕДУПРЕЖДЕНИЕ: Если после следования инструкциям этого раздела проблема не решена, свяжитесь с вашим поставщиком или авторизованной сервисной службой. Не пытайтесь починить устройство самостоятельно.

Изготовитель: «Arcelik A.S.» Юридический адрес: Караач Джаддеси № 2-6 34445 Сютлюдже Стамбул, Турция (Karaağaç Caddesi No:2-6 Sütlüce, 34445, Turkey)

Произведено в Турции

Импортер на территории РФ: ООО «БЕКО» Юридический адрес: 601021 Россия, Владимирская обл., Киржачский р-н, МОСП Першинское, дер. Федоровское, ул. Сельская, д. 49.

Информацию о сертификации продукта Вы можете уточнить, позвонив на горячую линию 8-800-200-23-56.

Официальный представитель на территории Украины: ООО "Беко Украина", адрес: 01021, г. Киев, ул. Кловский спуск, д. 5.

Информацию о сертификации можно получить в информационно-справочной службе по телефону 0-800-500-4-3-2

Дата производства включена в серийный номер продукта, указанный на этикетке, расположенной на продукте, а именно: первые две цифры серийного номера обозначают год производства, а последние две – месяц. Например, "10-100001-05" обозначает, что продукт произведен в мае 2010 года.

Изготовитель оставляет за собой право на внесение изменений в конструкцию, дизайн и комплектацию электроприбора.

изготовитель оставляет за собой право вносить изменения в конструкцию, дизайн и комплектацию электроприбора.



