



Refrigerator-Freezer type I

Холодильник-Морозильник типа I

Холодильник-Морозильник типу I

RCSU8330K20W

WARNING!

In order to ensure a normal operation of your refrigerating appliance, which uses a completely environmentally friendly refrigerant the R600a (flammable only under certain conditions) you must observe the following rules:

- ◆ Do not hinder the free circulation of the air around the appliance.
- ◆ Do not use mechanical devices in order to accelerate the defrosting, others than the ones recommended by the manufacturer.
- ◆ Do not destroy the refrigerating circuit.
- ◆ Do not use electric appliances inside the food keeping compartment, other than those that might have been recommended by the manufacturer.

ВНИМАНИЕ

Для того, чтобы обеспечить нормальную работу Вашего холодильника в котором используется охлаждающий реагент R600a, совершенно безвредный для окружающей среды (воспламеняющийся только в определенных условиях), Вам следует соблюдать следующие правила.

- ◆ Не создавайте препятствий для свободной циркуляции воздуха вокруг холодильника.
- ◆ Не пользуйтесь никакими механическими приспособлениями и инструментами для удаления льда при размораживании холодильника, кроме тех, которые рекомендованы изготовителем.
- ◆ Не допускайте повреждения охлаждающего контура.
- ◆ Не устанавливайте внутрь холодильного отделения, где хранятся продукты, никакие электрические устройства, кроме тех, которые рекомендованы изготовителем.

УВАГА!

Для того, щоб забезпечити нормальну роботу Вашого холодильника, в якому використовується охолоджуючий реагент R600a, абсолютно нешкідливий для навколишнього середовища (займається лише за певних умов), Вам

Необхідно дотримуватися наступних правил..

- ◆ Не створюйте перепон для вільної циркуляції повітря навколо холодильника.
- ◆ Не користуйтеся жодними механічними пристроями та інструментами для видалення льоду під час розморожування холодильника, окрім тих, що рекомендовані виробником.
- ◆ Не допускайте пошкодження охолоджуючого контура.
- ◆ Не встановлюйте всередину холодильного відділення, де зберігаються продукти, жодних електричних пристроїв, окрім тих, що рекомендовані виробником.

EN Index

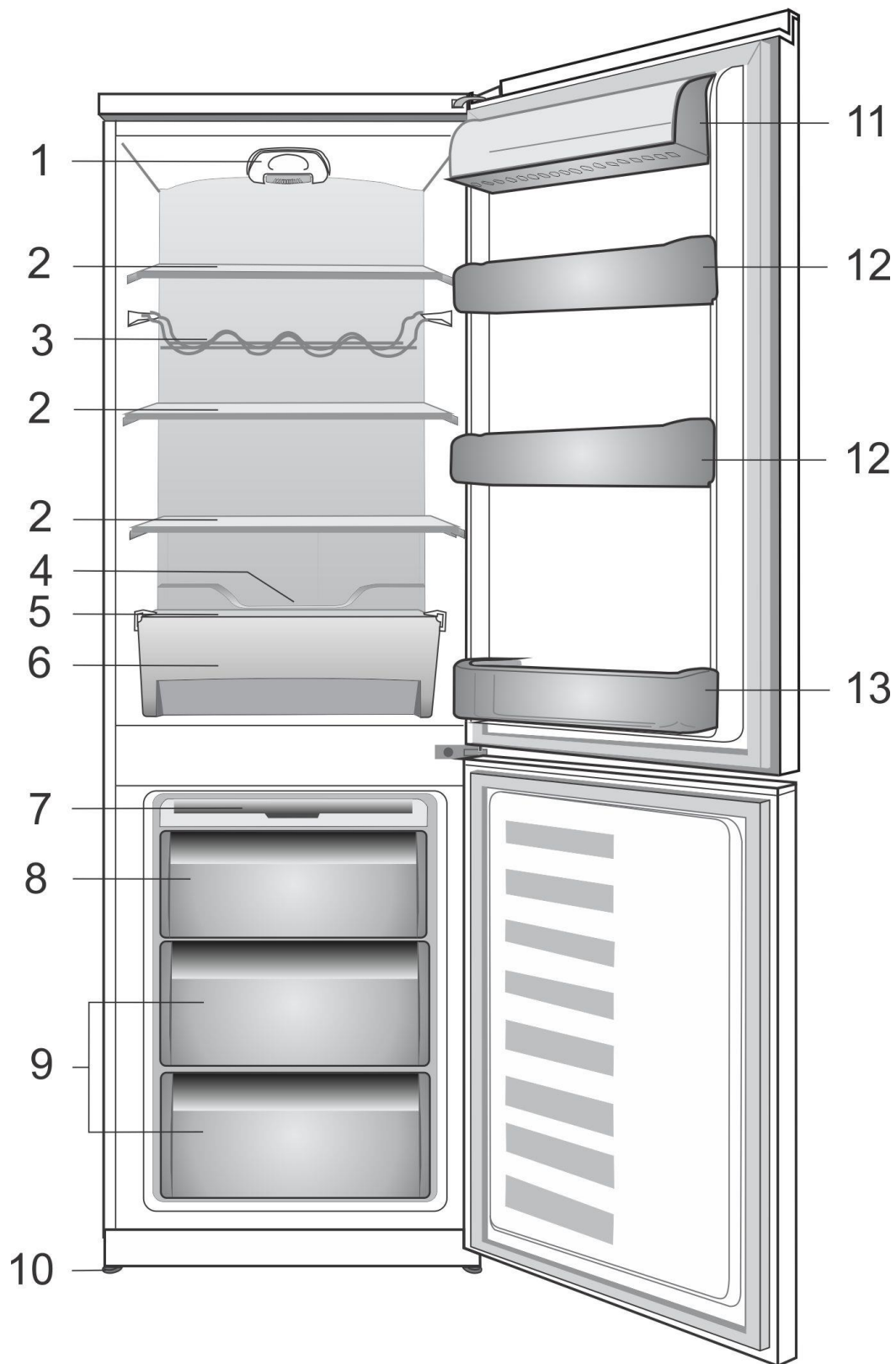
Safety first /1
Electrical requirements /2
Transportation instructions /2
Installation instructions /2
Getting to know your appliance /3
Suggested arrangement of food in the appliance /3
Temperature control and adjustment /4
Before operating /4
Storing frozen food /4
Freezing fresh food /4
Making ice cubes /4
Defrosting /5
Replacing the interior light bulb /5
Cleaning and care /5
Repositioning the door /6
Do's and don'ts /6
Energy Consumption /7
Information about operating noises /8
Troubleshooting /8

РУС Содержание

Безопасность прежде всего /9
Требования к электропитанию /10
Инструкция по транспортировке /10
Инструкция по установке /10
Общие сведения о холодильнике /11
Рекомендуемый способ размещения продуктов /11
Регулировка температуры /12
Перед началом работы /12
Хранение замороженных продуктов /12
Замораживание свежих продуктов /13
Замораживание льда /13
Размораживание /13
Замена лампочки внутри холодильника /14
Чистка холодильника и уход за ним /14
Перенавешивание дверей /15
Что следует и чего нельзя делать /15
Энергопотребление /16
Почему холодильник шумит? /17
Устранение неисправностей /17

УА Зміст

Безпека перш за все! /18
Вимоги до електропостачання /19
Інструкція з транспортування /19
Інструкція зі встановлення /19
Загальні відомості про холодильник /20
Рекомендований спосіб розміщення продуктів у
холодильнику /20
Регулювання температури /21
Перед початком роботи /21
Зберігання заморожених продуктів /21
Заморожування свіжих продуктів /21
Заморожування льоду /22
Розморозування /22
Заміна лампочки всередині холодильника /22
Чищення холодильника і догляд за ним /23
Перенавішування дверцят /23
Що слід і чого не можна робити /23
Енергоспоживання /24
Чому холодильник шумить? /25
Усунення несправностей /25

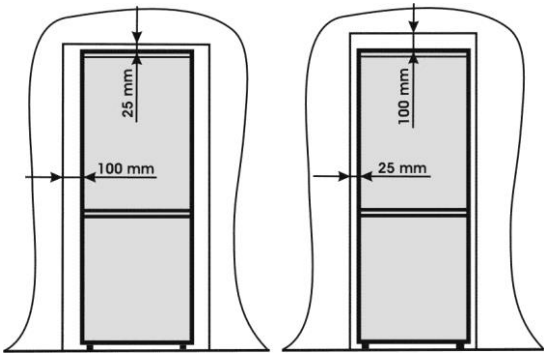


1

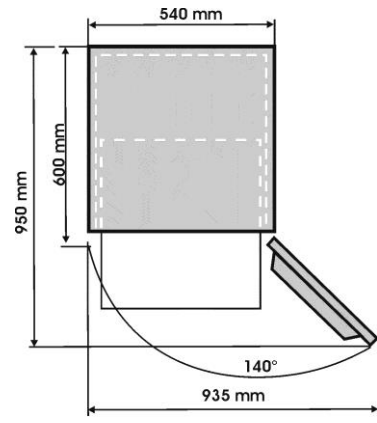
i Figures that take place in this instruction manual are schematic and may not correspond exactly with your product. If the subject parts are not included in the product you have purchased, then it is valid for other models.

Ілюстрації в даній інструкції є схематичними і можуть відрізнятися від вашої моделі. Якщо в придбаному вами виробі немає яких-небудь з показаних компонентів, значить, вони використовуються в інших моделях.

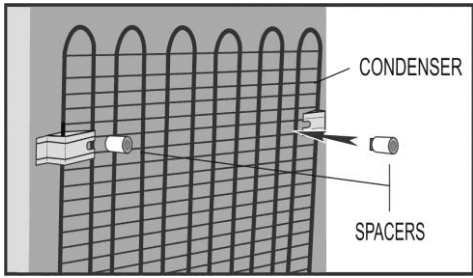
Ілюстрації в даній інструкції є схематичними і можуть відрізнятися від вашої моделі. Якщо до комплектації моделі, яку ви придбали, не входять згадані деталі, вони призначені для інших моделей.



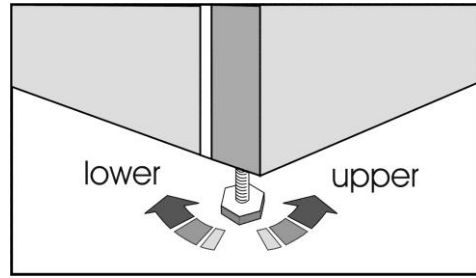
2



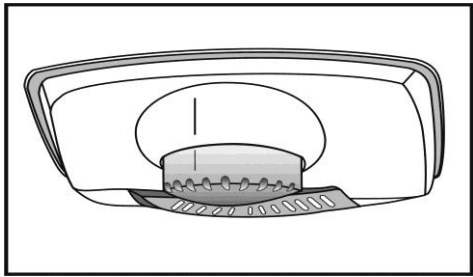
3



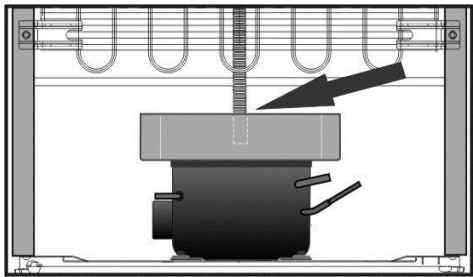
4



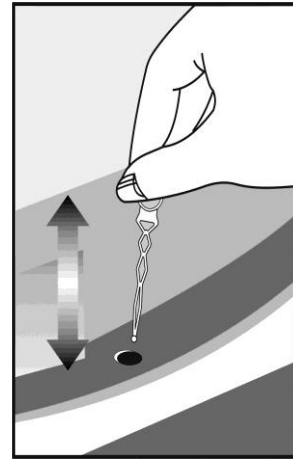
5



7



6

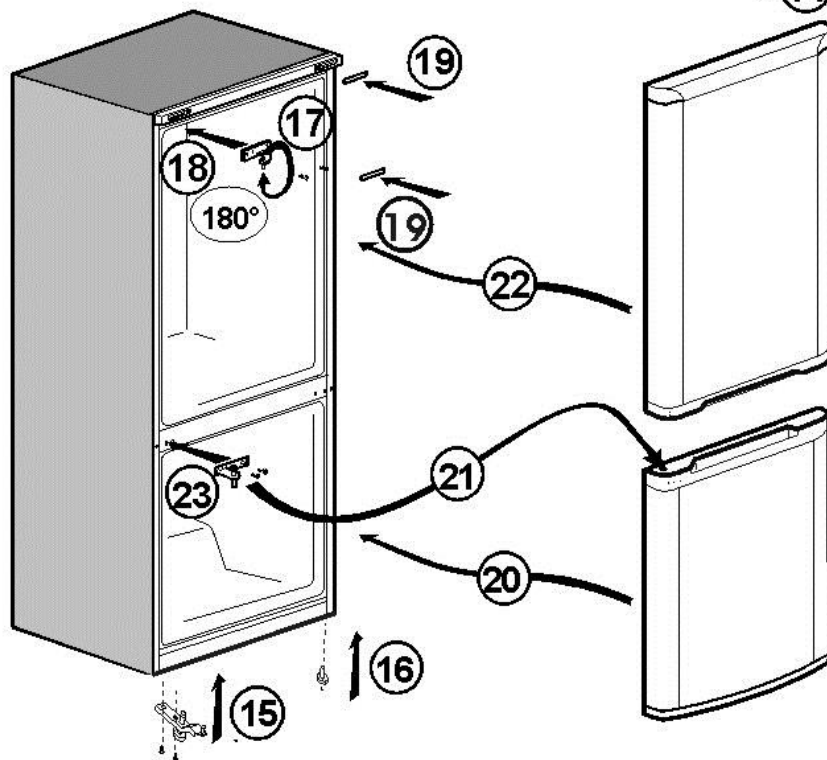
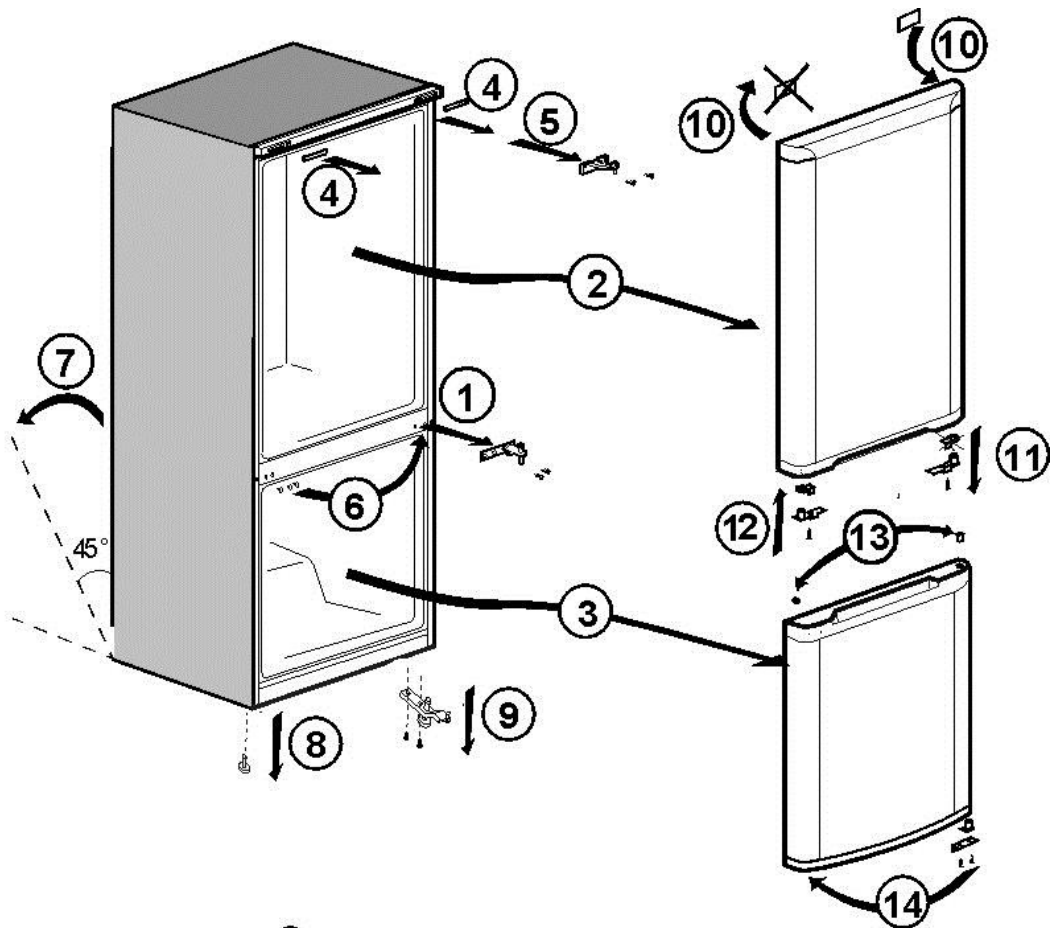


8



9





Congratulations on your choice of a **BEKO** Quality Appliance, designed to give you many years of service.

Safety first!

Do not connect your appliance to the electricity supply until all packing and transit protectors have been removed.

- Leave to stand for at least 4 hours before switching on, to allow compressor oil to settle, if transported horizontally.
- If you are discarding an old appliance with a lock or latch fitted to the door, ensure that it is left in a safe condition to prevent the entrapment of children.
- This appliance must only be used for its intended purpose.
- Do not dispose of the appliance on a fire. Your appliance contains non CFC substances in the insulation which are flammable. We suggest you contact your local authority for information on disposal and available facilities.
- We do not recommend use of this appliance in an unheated, cold room. (e.g. garage, conservatory, annex, shed, out-house etc.)

To obtain the best possible performance and trouble free operation from your appliance it is very important to read these instructions carefully. Failure to observe these instructions may invalidate your right to free service during the guarantee period.

Please keep these instructions in a safe place for easy reference.

Original Spare parts will be provided for 10 years, following the product purchasing date.

**This appliance is not intended for use by person with reduced physical, sensory or mental capabilities or lack of experience and knowledge unless they have been given supervision or instruction concerning use of the appliance by a person responsible for their safety.
Children should be supervised to ensure that they do not play with the appliance.**

Electrical requirements

Before inserting the plug into the wall socket make sure that the voltage and the frequency shown in the rating plate inside the appliance corresponds to your electricity supply. We recommend that this appliance is connected to the mains supply via a suitably switched and fused socket in a readily accessible position.

Warning! This appliance must be earthed.

Repairs to electrical equipment should only be performed by a qualified technician. Incorrect repairs carried out by an unqualified person are carry risks that may have critical consequences for the user of the appliance.

ATTENTION!

This appliance operates with R600a which is an environmental friendly but flammable gas. During the transportation and fixing of the product, care must be taken not to damage the cooling system. If the cooling system is damaged and there is a gas leakage from the system, keep the product away from open flame sources and ventilate the room for a while.

WARNING - Do not use mechanical devices or other means to accelerate the defrosting process, others than those recommended by the manufacturer.

WARNING - Do not damage the refrigerant circuit.

WARNING - Do not use electrical appliances inside the food storage compartments of the appliance, unless they are of the type recommended by the manufacturer.

WARNING - If the supply cord is damaged, it must be replaced by the manufacturer, its service agent or similarly qualified persons in order to avoid a hazard.

Transportation instructions

1. The appliance should be transported only in an upright position. The packing as supplied must be intact during transportation.
2. If during the transport the appliance, has been positioned horizontally, it must not be operated for at least 4 hours, to allow the system to settle.

3. Failure to comply with the above instructions could result in damage to the appliance, for which the manufacturer will not be held liable.
4. The appliance must be protected against rain, moisture and other atmospheric influences.

Important!

- Care must be taken while cleaning/carrying the appliance not to touch the bottom of the condenser metal wires at the back of the appliance, as this could cause injury to fingers and hands.
- Do not attempt to sit or stand on top of your appliance as it is not designed for such use. You could injure yourself or damage the appliance.
- Make sure that the mains cable is not caught under the appliance during and after moving, as this could damage the cable.
- Do not allow children to play with the appliance or tamper with the controls.

Installation instructions

1. Do not keep your appliance in a room where the temperature is likely to fall below 10 degrees C (50 degrees F) at night and/or especially in winter, as it is designed to operate in ambient temperatures between +10 and +32 degrees C (50 and 90 degrees F). At lower temperatures the appliance may not operate, resulting in a reduction in the storage life of the food.
2. Do not place the appliance near cookers or radiators or in direct sunlight, as this will cause extra strain on the appliance's functions. If installed next to a source of heat or freezer, maintain the following minimum side clearances:
 - From Cookers 30 mm
 - From Radiators 300 mm
 - From Freezers 25 mm
3. Make sure that sufficient room is provided around the appliance to ensure free air circulation (**Item 2**).
 - Put the back airing lid to the back of your refrigerator to set the distance between the refrigerator and the wall (**Item 3**).

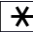

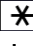

4. The appliance should be positioned on a smooth surface. The two front feet can be adjusted as required. To ensure that your appliance is standing upright adjust the two front feet by turning clockwise or anti-clockwise, until firm contact is secured with the floor. Correct adjustment of feet prevents excessive vibration and noise (**Item 4**).
5. Refer to "Cleaning and Care" section to prepare your appliance for use.

Getting to know your appliance (Item 1)

- 1 - Thermostat and lamp housing
- 2 - Adjustable Cabinet shelves
- 3 - Wine bottles support
- 4 - Water collector
- 5 - Crisper cover
- 6 - Crisper
- 7 - Ice tray support & ice tray
- 8 - Compartment for quickly freezing
- 9 - Compartments for frozen foods keeping
- 10 - Adjustable foot
- 11 - Dairy Compartment
- 12 - Shelf for jars
- 13 - Shelf for bottles

Suggested arrangement of food in the appliance

Guidelines for obtaining optimum storage and hygiene:

1. The fridge compartment is for the short-term storage of fresh food and drinks.
2. The freezer compartment is   rated and suitable for the freezing and storage of pre-frozen food. The recommendation for   storage as stated on the food packaging should be observed at all times.
3. Dairy products should be stored in the special compartment provided in the door liner.

4. Cooked dishes should be stored in airtight containers.
5. Fresh wrapped produce can be kept on the shelf. Fresh fruit and vegetables should be cleaned and stored in the crispers.
6. Bottles can be kept in the door section.
7. To store raw meat, wrap in polythene bags and place on the lowest shelf. Do not allow to come into contact with cooked food, to avoid contamination. For safety, only store raw meat for two to three days.
8. For maximum efficiency, the removable shelves should not be covered with paper or other materials to allow free circulation of cool air.
9. Do not keep vegetable oil on door shelves. Keep the food packed, wrapped or covered. Allow hot food and beverages to cool before refrigerating. Leftover canned food should not be stored in the can.
10. Fizzy drinks should not be frozen and products such as flavoured water ices should not be consumed too cold.
11. Some fruit and vegetables suffer damage if kept at temperatures near 0°C. Therefore wrap pineapples, melons, cucumbers, tomatoes and similar produce in polythene bags.
12. High-proof alcohol must be stored upright in tightly closed containers. Never store products that contain an inflammable propellant gas (e.g. cream dispensers, spray cans, etc.) or explosive substances. These are an explosion hazard.
13. To take out the baskets from the freezer compartment please proceed as in **Item 9**.

Temperature control and adjustment

Operating temperatures are controlled by the thermostat knob (Item 5) and may be set at any position between MIN and MAX (the coldest position).

The average temperature inside the fridge should be around +5°C (+41°F).

Therefore adjust the thermostat to obtain the desired temperature. Some sections of the fridge may be cooler or warmer (such as salad crisper and top part of the cabinet) which is quite normal. We recommend that you check the temperature periodically with a thermometer to ensure that the cabinet is kept to this temperature. Frequent door openings cause internal temperatures to rise, so it is advisable to close the door as soon as possible after use.

Before operating

Final Check

Before you start using the appliance check that:

1. The feet have been adjusted for perfect levelling.
2. The interior is dry and air can circulate freely at the rear.
3. The interior is clean as recommended under "Cleaning and care."
4. The plug has been inserted into the wall socket and the electricity is switched on. When the door is open the interior light will come on.

And note that:

5. You will hear a noise as the compressor starts up. The liquid and gases sealed within the refrigeration system may also make some (noise), whether the compressor is running or not. This is quite normal.
6. Slight undulation of the top of the cabinet is quite normal due to the manufacturing process used; it is not a defect.
7. We recommend setting the thermostat knob midway and monitor the temperature to ensure the appliance maintains desired storage temperatures (See section Temperature Control and Adjustment).

8. Do not load the appliance immediately it is switched on. Wait until the correct storage temperature has been reached. We recommend checking the temperature with an accurate thermometer (see; Temperature Control and Adjustment).

Storing frozen food

Your freezer is suitable for the long-term storage of commercially frozen foods and also can be used to freeze and store fresh food. If there is a power failure, do not open the door. Frozen food should not be affected if the failure lasts for less than 18 hrs. If the failure is longer, then the food should be checked and either eaten immediately or cooked and then re-frozen.

Freezing fresh food

Please observe the following instructions to obtain the best results.

Do not freeze too large a quantity at any one time. The quality of the food is best preserved when it is frozen right through to the core as quickly as possible.

Do not exceed the freezing capacity of your appliance in 24 h.

Placing warm food into the freezer compartment causes the refrigeration machine to operate continuously until the food is frozen solid. This can temporarily lead to excessive cooling of the refrigeration compartment.

When freezing fresh food, keep the thermostat knob at medium position. Small quantities of food up to 1/2 kg. (1 lb) can be frozen without adjusting the temperature control knob.

Take special care not to mix already frozen food and fresh food.

Making ice cubes

Fill the ice - cube tray 3/4 full with water and place it in the freezer. Loosen frozen trays with a spoon handle or a similar implement; never use sharp-edged objects such as knives or forks.

Defrosting

A) Fridge compartment

The fridge compartment defrosts automatically. The defrost water runs to the drain tube via a collection container at the back of the appliance **(Item 6)**.

During defrosting, water droplets may form at the back of the fridge compartment where a concealed evaporator is located. Some droplets may remain on the liner and refreeze when defrosting is completed. Do not use pointed or sharp-edged objects such as knives or forks to remove the droplets which have refrozen.

If, at any time, the defrost water does not drain from the collection channel, check that no food particles have blocked the drain tube. The drain tube can be cleared with a pipe-cleaner or similar implement.

Check that the tube is permanently placed with its end in the collecting tray on the compressor to prevent the water spilling on the electric installation or on the floor **(Item 7)**.

B) Freezer compartment

Defrosting is very straightforward and without mess, thanks to a special defrost collection basin.

Defrost twice a year or when a frost layer of around 7 (1/4") mm has formed. To start the defrosting procedure, switch off the appliance at the socket outlet and pull out the mains plug.

All food should be wrapped in several layers of newspaper and stored in a cool place (e.g. fridge or larder).

Containers of warm water may be placed carefully in the freezer to speed up the defrosting.

Do not use pointed or sharp-edged objects, such as knives or forks to remove the frost.

Never use hairdryers, electrical heaters or other such electrical appliances for defrosting. Sponge out the defrost water collected in the bottom of the freezer compartment. After defrosting, dry the interior thoroughly **(Item 8)**. Insert the plug into the wall socket and switch on the electricity supply.

Replacing the interior light bulb

To change the Bulb/LED used for illumination of your refrigerator, call your Authorised Service.

The lamp(s) used in this appliance is not suitable for household room illumination. The intended purpose of this lamp is to assist the user to place foodstuffs in the refrigerator/freezer in a safe and comfortable way.

The lamps used in this appliance have to withstand extreme physical conditions such as temperatures below -20°C.

Cleaning and care

1. We recommend that you switch off the appliance at the socket outlet and pull out the mains plug before cleaning.
2. Never use any sharp instruments or abrasive substances, soap, household cleaner, detergent or wax polish for cleaning.
3. Use luke warm water to clean the cabinet of the appliance and wipe it dry.
4. Use a damp cloth wrung out in a solution of one teaspoon of bicarbonate of soda to one pint of water to clean the interior and wipe it dry.
5. Make sure that no water enters the temperature control box.
6. If the appliance is not going to be used for a long period of time, switch it off, remove all food, clean it and leave the door ajar.
7. We recommend that you polish the metal parts of the product (i.e. door exterior, cabinet sides) with a silicone wax (car polish) to protect the high quality paint finish.
8. Any dust that gathers on the condenser, which is located at the back of the appliance, should be removed once a year with a vacuum cleaner.
9. Check door seals regularly to ensure they are clean and free from food particles.

10. Never:

- Clean the appliance with unsuitable material; eg petroleum based products.
- Subject it to high temperatures in any way,
- Scour, rub etc., with abrasive material.

11. Removal of dairy cover and door tray :

- To remove the dairy cover, first lift the cover up by about an inch and pull it off from the side where there is an opening on the cover.
- To remove a door tray, remove all the contents and then simply push the door tray upwards from the base.

12. Make sure that the special plastic container at the back of the appliance which collects defrost water is clean at all times. If you want to remove the tray to clean it, follow the instructions below:

- Switch off at the socket outlet and pull out the mains plug
- Gently uncrimp the stud on the compressor, using a pair of pliers, so that the tray can be removed
- Lift it up.
- Clean and wipe it dry
- Reassemble, reversing the sequence and operations

13. To remove a drawer, pull it as far as possible, tilt it upwards and then pull it out completely.

Repositioning the door

Proceed in numerical order (**Item 10**).

Do's and don'ts

- Do-** Clean and defrost your appliance regularly (See "Defrosting")
- Do-** Keep raw meat and poultry below cooked food and dairy products.
- Do-** Take off any unusable leaves on vegetables and wipe off any soil.
- Do-** Leave lettuce, cabbage, parsley and cauliflower on the stem.
- Do-** Wrap cheese firstly in greaseproof paper and then in a polythene bag, excluding as much air as possible. For best results, take out of the fridge compartment an hour before eating.
- Do-** Wrap raw meat and poultry loosely in polythene or aluminium foil. This prevents drying.
- Do-** Wrap fish and offal in polythene bags.
- Do-** Wrap food with a strong odour or which may dry out, in polythene bags, or aluminium foil or place in airtight container.
- Do-** Wrap bread well to keep it fresh.
- Do-** Chill white wines, beer, lager and mineral water before serving.
- Do-** Check contents of the freezer every so often.
- Do-** Keep food for as short a time as possible and adhere to "Best Before" and "Use by" etc. dates.
- Do-** Store commercially frozen food in accordance with the instructions given on the packets.
- Do-** Always choose high quality fresh food and be sure it is thoroughly clean before you freeze it.
- Do-** Prepare fresh food for freezing in small portions to ensure rapid freezing.
- Do-** Wrap all food in aluminium foil or freezer quality polythene bags and make sure any air is excluded.
- Do-** Wrap frozen food immediately after purchasing and put it in to the freezer as soon as possible.
- Do-** Defrost food in the fridge compartment.

- Don't-** Store bananas in your fridge compartment.
- Don't-** Store melon in your fridge. It can be chilled for short periods as long as it is wrapped to prevent it flavouring other food.
- Don't-** Cover the shelves with any protective materials which may obstruct air circulation.
- Don't-** Store poisonous or any dangerous substances in your appliance. It has been designed for the storage of edible foodstuffs only.
- Don't-** Consume food which has been refrigerated for an excessive length of time.
- Don't-** Store cooked and fresh food together in the same container. They should be packaged and stored separately.
- Don't-** Let defrosting food or food juices drip onto food.
- Don't-** Leave the door open for long periods, as this will make the appliance more costly to run and cause excessive ice formation.
- Don't-** Use sharp edged objects such as knives or forks to remove the ice.
- Don't-** Put hot food into the appliance. Let it cool down first.
- Don't-** Put liquid-filled bottles or sealed cans containing carbonated liquids into the freezer, as they may burst.
- Don't-** Exceed the maximum freezing loads when freezing fresh food.
- Don't-** Give children ice-cream and water ices direct from the freezer. The low temperature may cause 'freezer burns' on lips.
- Don't-** Freeze fizzy drinks.
- Don't-** Try to keep frozen food which has thawed; it should be eaten within 24 hours or cooked and refrozen.
- Don't-** Remove items from the freezer with wet hands.

Energy Consumption

Maximum frozen food storage volume is achieved without using the middle and upper drawer provided in the freezer compartment. Energy consumption of your appliance is declared while the freezer compartment is fully loaded without using the middle and upper drawer.

Practical advice concerning the reduction of the electricity consumption

1. Make sure that the appliance is located in well-ventilated areas, far from any source of heat (cooker, radiator etc.). At the same time, the location of the appliance must be done in such a way that it prevents it to be under the direct incidence of the sunbeams.
2. Make sure that the food purchased in refrigerated/frozen condition is placed into the appliance as soon as possible, especially during summertime. It is recommended to use thermal insulated bags to transport the food home.
3. We recommend the thawing of the packets taken out from the freezer compartment be done in the refrigerator compartment. For this purpose, the packet which is going to be thawed will be placed in a vessel so that the water resulting from the thawing does not leak in the refrigerator compartment. We recommend you to start the thawing at least 24 hours before the use of the frozen food.
4. We recommend reducing the number of door openings to the minimum.
5. Do not keep the door of the appliance open more than necessary and make sure that after each opening the door is well closed.

Information concerning the noise and the vibrations which might appear during the operation of the appliance

1. The operation noise can increase during the operation.

- In order to keep the temperatures at the adjusted temperatures, the compressor of the appliance starts periodically. The noise produced by the compressor becomes stronger when it starts and a click can be heard when it stops.

- The performance and operation features of the appliance can change according to the modifications of the temperature of the ambient environment. They must be considered as normal.

2. Noises like liquids flowing or as being sprayed

- These noises are caused by the flow of the refrigerant in the circuit of the appliance and comply with the operation principle of the appliance.

3. Other vibrations and noises.

- The level of noise and vibrations can be caused by the type and the aspect of the floor on which the appliance is placed. Make sure that the floor does not have significant level distortions or if it can yield to the weight of the appliance (it is flexible).

- Another source of noise and vibrations is represented by the objects placed on the appliance. These objects must be removed from the appliance

- The bottles and the vessels placed in the refrigerator touching each other. In such cases move the bottles and the vessels so that there is a small distance between them.

Troubleshooting


If the appliance does not operate when switched on, check;

- That the plug is inserted properly in the socket and that the power supply is on. (To check the power supply to the socket, plug in another appliance)
- Whether the fuse has blown/circuit breaker has tripped/main distribution switch has been turned off.
- That the temperature control has been set correctly.
- That the new plug is wired correctly, if you have changed the fitted, moulded plug.

If the appliance is still not operating at all after above checks, contact the dealer from whom you purchased the unit.

Please ensure that above checks have been done, as a charge will be made if no fault is found.



The symbol  on the product or on packaging indicates that this product may not be treated as household waste. Instead it shall be handed over to the applicable collection point for the recycling of electrical and electronic equipment. By ensuring this product is disposed of correctly, you will help prevent potential negative consequences for the environment and human health, which could otherwise be caused by inappropriate waste handling of this product. For more detailed information about recycling of this product, please contact your local city office, your household waste disposal service or the shop where you purchased the product.

Поздравляем Вас с покупкой высококачественного холодильника **ВЕКО**, который будет служить Вам долгое время.

Безопасность прежде всего!

Не включайте холодильник в электросеть до тех пор, пока не удалите всю упаковку и транспортировочные крепления.

- Если Вы перевозили холодильник в горизонтальном положении, не включайте его после распаковки по крайней мере 4 часа для того, чтобы все системы пришли в норму.
- Если Вы выбрасываете старый холодильник, и у него на двери есть замок или задвижка, убедитесь, что они в исправном состоянии, чтобы дети, играя, случайно не оказались в нем запертыми.
- Холодильник должен использоваться только по назначению.
- Избавляясь от старого холодильника, не пытайтесь его сжечь. В теплоизоляции холодильника используются горючие материалы. Мы советуем Вам связаться с местными органами власти для получения информации относительно того, куда можно выбросить старый холодильник.
- Мы не рекомендуем пользоваться холодильником в неотапливаемом, холодном месте (например, в гараже, на складе, в пристройке, под навесом, в надворной постройке и т.п.).

Чтобы обеспечить максимально эффективную и бесперебойную работу холодильника, очень важно внимательно прочитать эту инструкцию. Поломка холодильника в результате несоблюдения наших рекомендаций может лишить Вас права на бесплатное обслуживание в течение гарантийного периода.

Пожалуйста, храните эту инструкцию в надежном месте, чтобы ее легко можно было найти в случае необходимости.

Ремонт холодильника должен осуществлять только квалифицированный специалист из Авторизованного Сервисного Центра ВЕКО.

При повреждении электрического провода, его необходимо заменить, во избежание поражения током. Для замена провода вызовите специалиста из Авторизованного Сервисного Центра ВЕКО.

Оригинальные запасные части будут предоставляться в течение 10 лет с момента покупки изделия.

Устройство не предназначено для использования людьми со сниженными физическими или умственными способностями, а также нарушениями чувствительности. Люди, не имеющие опыта обращения с данным устройством, могут использовать его только под наблюдением опытных лиц, ответственных за безопасность. Использование устройства детьми также должно происходить под контролем взрослых.

Требования к электропитанию

Перед тем, как вставить штепсель в электрическую розетку убедитесь, что напряжение и частота тока, указанные на заводской марке внутри холодильника, соответствуют напряжению и частоте тока в электросети вашего дома.

Мы рекомендуем подключать холодильник к электросети через розетку, должным образом установленную в легко доступном месте.

Внимание! Холодильник должен быть заземлен

Ремонт электрического оборудования должен выполняться только квалифицированным специалистом. Неправильный ремонт, выполненный неквалифицированным человеком, сопряжен с риском, и холодильник может стать опасным в эксплуатации.

ВНИМАНИЕ!

В системе охлаждения холодильника циркулирует газ R600a, который не оказывает вредного воздействия на окружающую среду, но легко воспламеняется. Во время транспортировки и установки холодильника старайтесь не повредить систему охлаждения. Если все же повреждение произошло и имеет место утечка газа из системы охлаждения, следите за тем, чтобы рядом с холодильником не было источника открытого огня, и хорошо проветрите помещение.

ВНИМАНИЕ – Не пользуйтесь никакими механическими приспособлениями, кроме тех, что рекомендуются в настоящей инструкции, для ускорения размораживания холодильника и очистки морозильной камеры от льда.

ВНИМАНИЕ – Не допускайте повреждения системы охлаждения.

ВНИМАНИЕ – Не устанавливайте внутри холодильника электрические приспособления кроме тех, которые рекомендованы изготовителем холодильника.

ВНИМАНИЕ – Во избежание несчастных случаев при повреждении шнура питания замену должен осуществлять производитель, его представитель по сервису или лицо, имеющее аналогичную квалификацию.

Инструкция по транспортировке

1. Холодильник должен транспортироваться только в вертикальном положении. Заводская упаковка при транспортировке не должна быть повреждена.

2. Если во время транспортировки холодильник был помещен горизонтально, им не следует пользоваться по крайней мере 4 часа для того, чтобы все его системы пришли в норму.

3. Изготовитель не несет ответственности за повреждение холодильника, если нарушаются вышеупомянутые рекомендации.

4. Холодильник должен быть защищен от дождя, влажности и других атмосферных воздействий.

Важное замечание!

- Следует соблюдать осторожность при чистке или перемещении холодильника и не касаться металлических частей конденсатора в задней части холодильника, поскольку в результате можно повредить пальцы и руки.
- Не садитесь и не вставляйте на холодильник. Он для этого не предназначен. Вы можете получить травму или повредить холодильник.
- Убедитесь, что электрический провод не попал под холодильник во время и после перемещения холодильника, иначе его можно повредить.
- Не позволяйте детям играть с холодильником или баловаться с ручками и кнопками управления.

Инструкция по установке

1. Не ставьте холодильник в помещение, в котором температура может опускаться ниже 10 °С ночью или, в особенности, зимой, поскольку холодильник рассчитан на работу при температуре окружающей среды в пределах от +10 до +32 °С. При более низкой температуре холодильник может не работать, и срок хранения продуктов в нем должен быть сокращен.
2. Не устанавливайте холодильник вблизи кухонных плит или радиаторов отопления или в прямом солнечном свете, поскольку это вызовет дополнительную нагрузку на агрегаты

холодильника. Если Вы вынуждены устанавливать холодильник рядом с источником тепла или морозильником, обеспечьте следующее минимальное расстояние:

от кухонных плит 30 мм

от радиаторов отопления 300 мм

3. Постарайтесь, чтобы вокруг холодильника было достаточно свободного места, и воздух циркулировал свободно (см. рис. 2).

• Установите вентиляционную крышку на задней стороне холодильника для того, чтобы обеспечить необходимое расстояние между холодильником и стеной (см. рис. 3).

4. Холодильник должен стоять на гладкой поверхности. Две передние ножки должны быть соответствующим образом отрегулированы. Чтобы добиться строго вертикального положения холодильника, отрегулируйте ножки, вращая их по часовой или против часовой стрелки, пока они не будут устойчиво стоять на полу.

Правильная регулировка ножек холодильника предотвращает чрезмерную вибрацию и шум (см. рис. 4).

5. Обратитесь к разделу “Чистка холодильника и уход за ним”, чтобы подготовить холодильник к эксплуатации.

Общие сведения о холодильнике

(Рис. 1)

- 1 - Коробка лампы и термостата
- 2 - Съёмные полки
- 3 - Полки для бутылок (горизонтальные)
- 4 - Желоб для стока конденсата
- 5 - Крышка ящика для овощей
- 6 - Ящики для овощей
- 7 - Отделение для лотков приготовления льда
- 8 - Отделение быстрой заморозки
- 9 - Отделение хранения замороженных продуктов
- 10 - Регулируемые ножки
- 11 - Отделение для молочных продуктов
- 12 - Полка для банок
- 13 - Полка для бутылок

Рекомендуемый способ размещения продуктов в холодильнике

Рекомендации по оптимальному хранению и соблюдению санитарных норм:

1. Холодильное отделение предназначено для непродолжительного хранения свежих продуктов и напитков.

2. Морозильная камера имеет замораживающую способность в три звездочки и предназначена для хранения замороженных продуктов. Рекомендации по хранению замороженных продуктов указаны на их упаковке и их следует соблюдать во всех случаях.

3. Молочные продукты должны храниться в специальном отделении на внутренней стороне двери.

4. Приготовленные блюда должны храниться в плотно закрытой посуде.

5. Свежие продукты в упаковке можно хранить на полке. Свежие фрукты и овощи должны быть чистыми и храниться в ящике для овощей.

6. Бутылки можно хранить в специальном отделении на двери.

7. Сырое мясо храните в полиэтиленовых пакетах и на самой низкой полке. Не допускайте контакта сырого мяса с готовыми блюдами, чтобы избежать заражения. В целях безопасности храните сырое мясо только два-три дня.

8. Для максимально эффективной работы холодильника, съёмные полки не должны быть накрыты бумагой или другими материалами, препятствующими свободной циркуляции холодного воздуха.

9. Не держите растительное масло на полках с внутренней стороны двери.

Храните продукты, упакованными, завернутыми или под крышкой. Охладите горячие продукты и напитки прежде, чем ставить их в холодильник. Открытые консервы не должны храниться в консервных банках.

10. Нельзя замораживать газированные напитки, а лед из ароматизированной воды не следует употреблять слишком холодным.

11. Некоторые фрукты и овощи портятся от температуры, близкой к 0° С. Поэтому держите ананасы, дыню, огурцы, помидоры и другие подобные продукты в полиэтиленовых пакетах.

12. Никогда не храните в холодильнике продукты, содержащие легко воспламеняющийся газ (например, сливки с распылителем, консервы в аэрозольной упаковке и т.п.) или взрывчатые вещества. Это может быть опасно.

13. Чтобы вынуть корзины из морозильного отделения, выполните действия, описанные в **рис. 9**.

Регулировка температуры

Температура внутри холодильника регулируется ручкой термостата, которая может быть установлена в любое положение между MIN и MAX (максимально низкая температура).

Средняя температура внутри холодильного отделения должна быть +5 °С.

Поэтому, установите термостат в положение, которое обеспечит нужную температуру. В разных местах внутри холодильного отделения (например, ящика для овощей или в верхней части отделения) температура может быть выше или ниже, что вполне нормально.

Мы советуем периодически проверять точным термометром, сохраняется ли внутри холодильника нужная температура. При частом открывании двери холодный воздух выходит из холодильника и температура внутри него повышается, поэтому не оставляйте дверь холодильника открытой и старайтесь закрывать ее как можно быстрее.

Перед началом работы

Последняя проверка

Перед началом эксплуатации холодильника проверьте следующее:

1. Передние ножки должны быть отрегулированы так, чтобы обеспечивать устойчивое положение холодильника.
2. Внутри холодильника должно быть сухо, и воздух за ним должен циркулировать свободно.

3. Холодильник внутри должен быть чисто вымыт, как рекомендуется в разделе “Чистка холодильника и уход за ним”.

4. Штепсель должен быть вставлен в розетку и электричество включено. Когда открывается дверца холодильного отделения, должна загораться лампочка внутреннего освещения.

И обратите внимание на то, что:

5. Вы будете слышать шум при включении компрессора. Жидкость и газ внутри системы охлаждения также могут создавать некоторый шум, независимо от того, работает компрессор или нет. Это вполне нормально.

6. Верхняя часть будет слегка вибрировать. Это нормально и не является дефектом.

7. Мы советуем установить термостат в среднее положение и некоторое время следить за температурой, чтобы убедиться, что холодильник поддерживает нужную температуру хранения (см. раздел “Регулировка температуры”).

8. Не загружайте холодильник сразу же после включения. Подождите пока внутри не установится нужная температура. Мы советуем проверять температуру точным термометром.

Хранение замороженных продуктов

Холодильник рассчитан на длительное хранение пищевых продуктов, замороженных промышленным способом, а также может быть использован для замораживания и хранения свежих продуктов.

В случае перебоев с электропитанием, не открывайте дверь холодильника.

Замороженные продукты не пострадают, если электропитание прервано менее чем на 18 часов. Если электричества нет более длительное время, то следует проверить хранимые продукты и немедленно использовать их или проварить и заморозить заново.

Замораживание свежих продуктов

Не замораживайте продукты сразу в слишком большом количестве за один раз. Продукты лучше сохраняются, если они заморожены насквозь максимально быстро.

Не перегружайте морозильную камеру более, чем на сутки.

Если поместить в морозильную камеру теплые продукты, то агрегаты холодильника должны будут работать непрерывно, пока продукты не заморозятся. На какое-то время это приведет к чрезмерному понижению температуры в холодильном отделении. Замораживая свежие продукты, устанавливайте термостат в среднее положение. Небольшие порции продуктов (до 0,5 кг) можно замораживать без изменения положения термостата. Особенно тщательно следите за тем, чтобы не хранить вместе замороженные и свежие продукты.

Замораживание льда

Заполните лоток для льда водой на 3/4 и поместите его в морозильное отделение. Вытаскивайте кубики льда ручкой ложки или другим подобным инструментом; никогда не пользуйтесь острыми или режущими предметами вроде ножей или вилок.

Размораживание

А) Холодильное отделение

Холодильное отделение размораживается автоматически. Талая вода стекает к дренажной трубке через накопительный контейнер в задней части холодильника (см. рис. 6).

При размораживании капли воды могут скапливаться в задней части холодильного отделения, где размещен скрытый испаритель. Они могут остаться на стенке испарителя и повторно замерзнуть, когда закончится размораживание. Не удаляйте замерзшие капли острыми или режущими предметами типа ножей или вилок. Если в какой-то момент Вы обнаружите, что талая вода не вытекает из накопительного

контейнера, проверьте, не засорилась ли дренажная трубка в результате попадания частиц продуктов.

Дренажную трубку можно продуть каким-либо приспособлением для прочистки. Убедитесь, что конечная часть дренажной трубки помещена в лоток для сбора воды на компрессоре, во избежание попадания воды на электрические части или на пол (рис 7)

В) Морозильная камера

Морозильная камера размораживается крайне просто и без всяких хлопот, благодаря наличию специального поддона для сбора талой воды. Размораживайте камеру два раза в год или тогда, когда накопится слой инея толщиной до 7 мм. Чтобы начать размораживание, выключите холодильник из сети, вытащив штепсель из электрической розетки. Все продукты следует завернуть в несколько слоев бумаги и сложить в прохладном месте (например в холодильнике или кладовке). Для того, чтобы ускорить размораживание, Вы можете осторожно поставить в морозильную камеру емкость с теплой водой.

Не пользуйтесь острыми или режущими предметами вроде ножей или вилок для того, чтобы удалить иней.

Никогда не пользуйтесь феном, электрическим нагревателем или каким-либо другим аналогичным электрическим прибором для размораживания. Удалите губкой талую воду, собравшуюся на дне морозильной камеры. После размораживания насухо вытрите внутреннюю поверхность камеры. (Рис 8) Вставьте штепсель в розетку и включите холодильник.

Замена лампочки внутри холодильника

Для замены лампочки освещения холодильника обратитесь в авторизированный сервисный центр.

Лампа (-ы), используемая (-ые) в данном изделии, не подходит (-ят) для бытового освещения помещений. Данная лампа предназначена для освещения при размещении пользователем продуктов питания в холодильной/морозильной камере, обеспечивая безопасность и удобство.

Лампы, используемые в этом приборе, должны выдерживать экстремальные физические условия, например, температуру ниже -20°C .

Чистка холодильника и уход за ним

1. Мы советуем Вам выключать холодильник выключателем и вытаскивать штепсель из электрической розетки перед чисткой.

2. Никогда не пользуйтесь для чистки холодильника острыми инструментами или абразивными материалами, мылом, бытовыми чистящими средствами, моющими или полирующими средствами.

3. Для чистки корпуса холодильника пользуйтесь теплой водой и вытирайте его насухо.

4. Смочите тряпку в растворе пищевой соды (одна чайная ложка на пол-литра воды) для того, чтобы вымыть холодильник внутри, и протрите все поверхности насухо.

5. Следите за тем, чтобы вода не попадала в коробку термостата.

6. Если Вы не собираетесь пользоваться холодильником в течение длительного времени, выключите его, уберите из него все продукты, вымойте внутри и оставьте дверцу приоткрытой.

7. Мы советуем Вам полировать металлические части корпуса (т.е. внешнюю поверхность двери, боковые стенки) силиконовой мастикой (автомобильная полироль) для того, чтобы сохранить высокое качество окраски.

8. Пыль, которая собирается на конденсаторе, расположенном в задней части холодильника, следует раз в год удалять пылесосом.

9. Регулярно проверяйте уплотнение двери, чтобы убедиться, что оно чистое, и на нем нет остатков продуктов.

10. Никогда:

- не чистите холодильник не предназначенными для этого средствами такими как, например, веществами, содержащими бензин;
- не подвергайте холодильник воздействию высокой температуры;
- не мойте, не протирайте и т.д. холодильник, используя абразивные материалы.

11. Как снять крышку отделения для молочных продуктов и лоток на двери?

- Для того, чтобы снять крышку отделения для молочных продуктов, сначала поднимите ее на пару сантиметров и вытащите ее с той стороны, где на крышке имеется отверстие.
- Для того, чтобы снять лоток, расположенный на двери, удалите все, что на нем лежит, и затем просто поднимите его и снимите с основания.

12. Следите за тем, чтобы специальный пластмассовый лоток, расположенный в задней части холодильника и служащий для сбора талой воды, был всегда чистый. Если Вам надо вытащить его для того, чтобы вымыть, следуйте приведенным ниже рекомендациям:

- выключите выключатель около лампочки и вытащите штепсель из розетки;
- осторожно разогните плоскогубцами защелку на компрессоре, чтобы

13. Для того, чтобы вытащить выдвижной ящик, потяните его на себя до упора, приподнимите и вытащите совсем.

Перенавешивание двери

Выполните действия в порядке, указанном на схеме (Рис. 10).

Что следует и чего нельзя делать

Следует - регулярно чистить и размораживать холодильник (см. раздел "Размораживание").

Следует - хранить сырое мясо и птицу на нижних полках, под полками, на которых стоят готовые блюда и молочные продукты.

Следует - очищать овощи от земли и удалять неиспользуемые листья.

Следует - не отрезать листья салата и петрушки от корней, а обычную и цветную капусту от кочерыжки.

Следует - сыр сначала заворачивать в пергаментную бумагу, а затем класть в полиэтиленовый пакет, удаляя из пакета весь воздух. Для улучшения вкусовых качеств сыра, рекомендуется доставать его из холодильника за час до употребления.

Следует - класть сырое мясо и птицу в полиэтиленовый пакет или алюминиевую фольгу, не заворачивая туго. Это препятствует высушиванию.

Следует - класть рыбу и трюху в полиэтиленовые пакеты.

Следует - заворачивать сильно пахнущие продукты или продукты, который могут высохнуть, в полиэтиленовые пакеты или алюминиевую фольгу, или хранить их в плотно закрытой посуде.

Следует - тщательно упаковывать хлеб, чтобы сохранить его свежим.

Следует - охлаждать белые вина, пиво и минеральную воду перед употреблением.

Следует - почаще проверять продукты, хранящиеся в морозильной камере.

Следует - хранить продукты в течение как можно меньшего времени и строго соблюдать сроки хранения.

Следует - хранить готовые замороженные продукты в соответствии с инструкциями, указанными на упаковке.

Следует - всегда выбирать свежие продукты высокого качества и тщательно мыть их перед замораживанием.

Следует - делить свежие продукты на маленькие порции, чтобы они быстрее замораживались.

Следует - заворачивать все продукты в алюминиевую фольгу или специальные полиэтиленовые пакеты для морозильника и удалять из упаковки весь воздух.

Следует - как можно скорее заворачивать только что купленные замороженные продукты и класть в морозильную камеру.

Следует - размораживать замороженные продукты в холодильном отделении.

Не следует - хранить в холодильнике бананы.

Не следует - хранить в холодильнике дыню. Ее можно охладить в течение короткого времени, если она завернута так, чтобы ее запахом не пропахли другие продукты.

Не следует - закрывать полки любыми защитными материалами, которые могут препятствовать циркуляции воздуха.

Не следует - хранить в холодильнике ядовитые или опасные вещества. Холодильник предназначен для хранения только пищевых продуктов.

Не следует - употреблять в пищу продукты, которые хранились в холодильнике сверх допустимого времени.

Не следует - хранить вместе в одной и той же посуде готовые блюда и свежие продукты. Они должны быть уложены в разные контейнеры и храниться отдельно.

Не следует - допускать, чтобы жидкость из размораживаемых продуктов капала на другие продукты, хранящиеся в холодильнике.

Не следует - оставлять дверь холодильника открытой в течение длительного времени, поскольку это приведет к дополнительным расходам по его эксплуатации.

Не следует - использовать острые предметы, типа ножей или вилок, для удаления инея.

Не следует - ставить в холодильник горячие продукты. Надо дать им сначала остыть.

Не следует - помещать в морозильную камеру наполненные жидкостью бутылки или нераспечатанные банки с газированными напитками, так как они могут разорваться.

Не следует - переполнять сверх всякой меры морозильную камеру при замораживании свежих продуктов.

Не следует - давать детям мороженое или замороженную фруктовую воду прямо из морозильной камеры. Они могут обморозить губы.

Не следует - замораживать газированные напитки.

Не следует - долгое время хранить размороженные продукты; их необходимо использовать в течение суток, либо проварить и заморозить снова.

Не следует - доставать продукты из холодильника мокрыми руками.

Энергопотребление

Чтобы в максимальной мере использовать пространство морозильной камеры для хранения продуктов, следует вынуть из нее центральный и верхний выдвижные контейнеры. Данные об энергопотреблении холодильника приведены для условий, когда центральный и верхний выдвижные контейнеры вынуты, и морозильная камера полностью загружена.

Практические рекомендации по снижению потребления электроэнергии

1. Бытовые электроприборы следует устанавливать в хорошо проветриваемых местах вдали от источников тепла, таких как кухонные плиты, радиаторы отопления и т.п. Кроме того, следует избегать мест, куда попадают прямые солнечные лучи.
2. Купленные охлажденные или замороженные продукты следует сразу же помещать соответственно в холодильное или морозильное отделение, в особенности, в летнее время. Для доставки продуктов из магазина домой рекомендуется использовать термосумки.
3. Продукты, вынутые из морозильной камеры, рекомендуется помещать для размораживания в холодильное отделение. Чтобы не допустить загрязнения холодильного отделения, замороженные продукты следует класть в емкости, куда при оттаивании будет стекать вода. Рекомендуется начинать размораживание продуктов, по крайней мере, за сутки до их употребления.
4. Рекомендуется открывать дверцы как можно реже.
5. Не оставляйте дверцы прибора открытыми без надобности и следите за тем, чтобы они были всегда плотно закрыты.

Вибрация и шум, которые могут возникать во время работы прибора


1. В процессе работы холодильника уровень шума может повышаться.
 - Для поддержания температуры в отделениях на заданном уровне периодически включается компрессор прибора. Шум усиливается при запуске компрессора, а при выключении компрессора слышен щелчок.
 - Рабочие характеристики прибора могут изменяться в зависимости от изменений температуры окружающей среды. Это нормальное явление.
2. Шум льющейся или разбрызгивающейся жидкости.
 - Причиной таких шумов является циркуляция хладагента в системе охлаждения, что соответствует принципам работы прибора.
3. Другие вибрации или шумы
 - Уровень шума и вибрации зависит от типа и качества пола, на котором установлен прибор. Пол должен быть достаточно ровным и выдерживать вес прибора.
 - Источником шума могут быть предметы, лежащие на приборе. Такие предметы следует убрать с прибора.
 - Шум может возникать при соприкосновении расположенных рядом бутылок или других емкостей. В таких случаях следует слегка отодвинуть бутылки или емкости друг от друга.

Устранение неисправностей

Если холодильник не работает, когда он включен, убедитесь:

- что штепсель вставлен в электрическую розетку правильно и что электричество не отключено. (Для проверки наличия тока в розетке, включите в нее другой электроприбор);
 - что не сгорел плавкий предохранитель, не отключился выключатель или не отключен главный выключатель на распределительном щите;
 - что регулятор температуры установлен правильно;
 - что новый штепсель, используемый вместо заводского, поставлен правильно.
- Если холодильник все еще не работает после того, как Вы выполнили описанные выше проверочные действия, обратитесь за помощью к специалисту Авторизованного Сервисного Центра **ВЕКО**.



Символ  на изделии или на упаковке указывает, что изделие не должно утилизироваться с бытовыми отходами. Вместо этого его следует сдать на соответствующий пункт сбора отходов по утилизации электрического и электронного оборудования. Обеспечивая надлежащую утилизацию данного изделия, вы способствуете предотвращению потенциальных негативных последствий для окружающей среды и здоровья людей, которые в противном случае могут наступить вследствие неправильного обращения с его отходами. За более подробной информацией по утилизации данного изделия обратитесь в местную городскую администрацию, службу утилизации бытовых отходов или в магазин, в котором вы приобрели изделие.

Вітаємо вас з придбанням високоякісного холодильника **ВЕКО** що буде Вам служити тривалий час.

Безпека перш за все!

Не вмикайте холодильник до електромережі, доки не приберете всю упаковку і транспортувальні кріплення.

- Якщо ви перевозили холодильник у горизонтальному положенні,

Не вмикайте його після розпакування принаймні 4 години, для того, щоб всі системи прийшли до норми.

- Якщо ви викидаєте старий холодильник, и в нього на дверях є замок чи засув, впевніться, що вони в робочому стані, щоб діти граючись, випадково не опинилися в ньому зачиненими.

- Холодильник має використовуватись лише за призначенням.

- Позбуваючись старого холодильника, не намагайтеся його спалити. В теплоізоляції холодильника використовуються займисті матеріали. Ми радимо вам зв'язатися з місцевими органами влади для отримання інформації стосовно того, куди можна викинути старий холодильник.

- Ми не рекомендуємо користуватися холодильником в неопалюваному, холодному місці (наприклад, гаражі, на складі, в прибудові, під навісом, у надвірній прибудові і т.н.)

Щоб забезпечити максимально ефективну і безперебійну роботу холодильника, дуже важливо уважно прочитати цю інструкцію.

Поламка холодильника в результаті недотримання наших рекомендацій може позбавити Вас права на безкоштовне обслуговування впродовж гарантійного періоду.

Будь ласка, зберігайте цю інструкцію в надійному місці, щоб її можна було легко знайти в разі необхідності.

Ремонт холодильника повинен здійснювати лише кваліфікований спеціаліст з Авторизованого Сервісного Центру.

В разі пошкодження електричного проводу, його необхідно замінити, щоб запобігти ураженню електричним струмом. Для заміни проводу викличте спеціаліста з Авторизованого Сервісного Центру.

Оригінальні запасні частини будуть постачатися протягом 10 років з моменту придбання виробу.

Пристрій не призначений для використання людьми зі зниженими фізичними або розумовими здібностями, а також порушеннями чутливості. Люди, що не мають досвіду поводження з даними пристроєм, можуть використовувати його лише під наглядом досвідчених осіб, відповідальних за безпеку. Використання пристрою дітьми також має відбуватися під контролем дорослих.

Вимоги до електропостачання

Перед тим, як вставити штепсель до електричної розетки, впевніться, що напруга і частота струму, вказані на заводській марці всередині холодильника, відповідають напрузі та частоті струму у Вашому будинку. Ми рекомендуємо підключати холодильник до електромережі через розетку, належним чином встановлену у легкодоступному місці.

УВАГА! Холодильник має бути заземлений.

Ремонт електричного обладнання має виконуватися лише кваліфікованим спеціалістом. Неправильний ремонт, виконаний некваліфікованою людиною, пов'язаний з ризиком і холодильник може стати небезпечним в експлуатації.

УВАГА! В системі охолодження холодильника циркулює газ R600a, що не має шкідливого впливу на навколишнє середовище, але легко займається. Під час транспортування та встановлення холодильника намагайтесь не пошкодити систему охолодження. Якщо пошкодження таки сталось і має місце витік газу з системи охолодження, слідкуйте за тим, щоб поряд із холодильником не було джерел відкритого вогню, добре провітрить приміщення.

УВАГА! Для запобігання нещасним випадкам, якщо шнур живлення пошкоджений, його має замінити виробник, його спеціаліст з сервісу чи інша особа, котра має аналогічну кваліфікацію.

УВАГА - Не користуйтесь жодними механічними пристосуваннями окрім тих, що рекомендуються в цій інструкції для прискорення розморожування холодильника та очищення морозильної камери від льоду.

УВАГА - Не допускайте пошкоджень системи охолодження.

УВАГА - Не встановлюйте всередині холодильника електричних пристосувань, окрім тих, що рекомендовані виробником холодильника.

Інструкція з транспортування

1. Холодильник має транспортуватися лише у вертикальному стані. Заводська упаковка під час транспортування має залишитись непошкодженою.

2. Якщо холодильник під час транспортування був розміщений горизонтально, ним не слід користуватися принаймні 4 години, щоб всі його системи прийшли до норми.

3. Виробник не несе відповідальності за пошкодження холодильника, якщо порушуються вищезгадані рекомендації.

4. Холодильник має бути захищений від дощу, вологи та інших атмосферних впливів.

Важливе зауваження!

- Слід бути обережними під час чистки або переміщення холодильника і не торкатися металічних частин конденсатора в задній частині холодильника, бо в результаті можна пошкодити пальці та руки.
- Не сідайте і не ставайте на холодильник. Він для цього не призначений. Ви можете отримати травму чи пошкодити холодильник.
- Впевніться, що електричний провід не потрапив під холодильник під час і після переміщення холодильника, інакше його можна пошкодити.
- Не дозволяйте дітям гратися з холодильником або гратися з ручками чи кнопками керування.

Інструкція зі встановлення

1. Не ставте холодильник в приміщенні, де температура може опускатися нижче 10°C вночі або, особливо, взимку, оскільки холодильник розрахований на роботу за температури навколишнього середовища в межах від +10 до +32°C. За більш низької температури холодильник може не працювати і термін зберігання продуктів в ньому має бути скорочений.

2. Не встановлюйте холодильник поблизу від кухонних плит або радіаторів опалення чи на прямому сонячному світлі, оскільки це викличе додаткове навантаження на агрегати холодильника. Якщо ви змушені встановлювати холодильник поряд із джерелом тепла або морозильником, забезпечте наступну мінімальну відстань:

від кухонних плит 30 мм

від радіаторів опалення 300 мм

3. Намагайтесь, щоб навколо холодильника було достатньо вільного місця і повітря вільно циркулювало (**див. мал. 2**).

• Встановіть вентиляційну кришку на задньому боці холодильника для того, щоб забезпечити необхідну відстань між холодильником і стіною (**див. мал. 3**).

4. Холодильник має стояти на рівній поверхні. Дві передні ніжки мають бути відповідним чином відрегульовані. Щоб досягти суворо вертикального положення холодильника, відрегулюйте ніжки, обертаючи їх за або проти годинникової стрілки, доки вони не будуть стійко стояти на підлозі.

Правильне регулювання ніжок холодильника попереджує надмірну вібрацію та шум (**див. мал. 4**).

5. Зверніться до розділу "Чищення холодильника і догляд за ним", щоб підготувати холодильник до експлуатації.

Загальні відомості про холодильник: (Мал. 1)

- 1 - Коробка лампи і термостату
- 2 - Знімні полицки
- 3 - Полиця для вин
- 4 - Жолоб для стікання конденсату
- 5 - Кришка ящика для овочів
- 6 - Ящики для овочів
- 7 - Відділення лотків для приготування льоду
- 8 - Відділення швидкої заморозки
- 9 - Відділення зберігання заморожених продуктів
- 10 - Регульовані ніжки
- 11 - Відділення для молочних продуктів
- 12 - Поличка для банок
- 13 - Поличка для пляшок

Рекомендований спосіб розміщення продуктів у холодильнику

Рекомендації з оптимального зберігання та дотримання санітарних норм:

1. Холодильне відділення призначене для нетривалого зберігання свіжих продуктів та напоїв.

2. Морозильна камера має заморожувальну здатність в три зірочки і призначена для зберігання заморожених продуктів. Рекомендації зі зберігання заморожених продуктів вказані на їх упаковці і їх слід дотримуватися в усіх випадках.

3. Приготовані страви мають зберігатися в щільно закритому посуді.

4. Свіжі продукти в упаковці можна зберігати на полиці. Свіжі фрукти та овочі мають бути чистими та зберігатися в ящику для овочів.

5. Пляшки можна зберігати у спеціальному відділенні на дверях.

6. Сире м'ясо зберігайте у поліетиленових пакетах на найнижчій полиці. Не допускайте контакту сирого м'яса з готовими стравами, щоб уникнути зараження з метою безпеки зберігайте сире м'ясо лише два-три дні.

7. Для максимально ефективної роботи холодильника, знімні полицки не повинні бути накриті папером або іншим матеріалом, що перешкоджає вільній циркуляції холодного повітря.

8. Не тримайте рослинну олію на полицях з внутрішньої сторони дверцят. Зберігайте продукти загорнутими, упакованими або під кришкою. Охолодіть гарячі продукти або напої перш ніж ставити їх в холодильник. Відкриті консерви не повинні зберігатися у консервних банках.

9. Не можна заморожувати газовані напої, а лід з ароматизованої води не варто вживати надто холодним.

10. Деякі овочі та фрукти псуються від температури, близької до 0° С. Тому тримайте ананаси, диню, огірки, томати та інші подібні продукти у поліетиленових пакетах.

11. Ніколи не зберігайте у холодильнику продукти, що містять легкозаймистий газ (наприклад, вершки з розпилювачем, консерви в аерозольному упакованні і т.п.) або вибухові речовини. Це може бути небезпечно.

Регулювання температури.

Температура всередині холодильника регулюється ручкою термостату, що може бути встановлена в будь-яке положення між 1 і 5 (максимально низька температура).

Середня температура всередині холодильного відділення має бути +5 °С. Тому встановіть термостат в положення, що забезпечить потрібну температуру. В різних місцях всередині холодильного відділення (наприклад, ящика для овочів або у верхній частині відділення) температура може бути вище або нижче, що цілком нормально.

Ми радимо періодично перевіряти точним термометром чи зберігається всередині холодильника потрібна температура. В разі частого відчинення дверцят холодне повітря виходить з холодильника і температура всередині підвищується, тому не залишайте дверцята відчиненими і намагайтеся зачиняти їх якомога швидше.

Перед початком роботи

Остання перевірка

Перед початком експлуатації холодильника перевірте наступне:

1. Передні ніжки мають бути відрегульовані так, щоб забезпечувати стійке положення холодильника.

2. Всередині холодильника має бути сухо, повітря за ним повинно циркулювати вільно.

3. Холодильник всередині має бути чисто вимитим, як рекомендується у розділі, "Чищення холодильника і догляд за ним".

4. Штепсель повинен бути вставлений у розетку та електричний струм ввімкнутий. Коли відчиняються дверцята холодильного відділення, має загорятись лампочка внутрішнього освітлення.

Зверніть увагу на те, що:

5. Ви будете чути шум при ввімкненні компресора. Рідина та газ всередині системи охолодження також можуть створювати деякий шум, незалежно від того, працює компресор чи ні. Це цілком нормально.

6. Верхня частина буде трохи вібрувати. Це нормально і не є дефектом.

7. Ми радимо встановити термостат в середнє положення і деякий час спостерігати за температурою, щоб пересвідчитись, що холодильник підтримує потрібну температуру зберігання (див. розділ «Регулювання температури»).

8. Не завантажуйте холодильник одразу після ввімкнення. Зачекайте, доки всередині не встановиться потрібна температура. Ми радимо перевіряти температуру точним термометром.

Зберігання заморожених продуктів

Холодильник розрахований на тривале збереження харчових продуктів, заморожених промисловим способом, а також може бути використаний для замороження і зберігання свіжих продуктів. В разі перебоїв із електропостачанням не відкривайте дверцята холодильника. Заморожені продукти не постраждають, якщо електропостачання перервано менше, ніж на 18 годин. Якщо струму немає більш тривалий час, то слід перевірити продукти, що зберігаються і негайно використати їх або проварити і заморозити знову.

Заморожування свіжих продуктів

Не заморожуйте продукти одразу в надто великій кількості за один раз.

Продукти краще зберігаються, якщо вони проморожені наскрізь максимально швидко.

Не перевантажуйте морозильну камеру більше, ніж на добу.

Якщо покласти до морозильної камери теплі продукти, то агрегати холодильника повинні будуть працювати безперервно, поки продукти не заморозяться. На якийсь час це призведе до надмірного зниження температури в холодильному відділенні. Заморожуючи свіжі продукти, встановлюйте термостат в середнє положення. Невеликі порції продуктів (до 0,5 кг) можна заморожувати без зміни положення термостату.

Особливо ретельно слідкуйте за тим, щоб не зберігати разом заморожені та свіжі продукти.

Заморожування льоду

Заповніть лоток для льоду водою на 3/4 і помістіть його у морозильне відділення. Діставайте кубики льоду ручкою ложки або іншим подібним інструментом; ніколи не користуйтеся гострими або ріжучими предметами.

Розморозування:

А) Холодильне відділення

Холодильне відділення розморозжується автоматично. Тала вода стікає до дренажної трубки через накопичувальний контейнер в задній частині холодильника. (див. мал. 6).

Під час розморозування краплі води можуть накопичуватися у задній частині холодильного відділення, де розміщений прихований випаровувач. Вони можуть залишитися на стінці випаровувача, де повторно замерзнуть, коли закінчиться розморозування. Не видаляйте замерзлі краплі гострими або ріжучими предметами кшталт ножів або виделок. Якщо в якусь мить ви побачите, що тала вода не витікає з накопичувального контейнера, перевірте, чи не забила дренажна трубка в результаті потрапляння частинок продуктів. Дренажну трубку можна продути будь-яким пристроєм для прочистки. Пересвідчіться, що кінцева частина дренажної трубки знаходиться в лотку для збирання води на компресорі, для запобігання потрапляння води на електричні частини або на підлогу. (рис 7).

В) Морозильна камера

Морозильна камера розморозжується дуже просто і без зайвого клопоту завдяки наявності спеціального піддону для збирання талої води.

Розморозуйте камеру двічі на рік або коли накопичиться шар наморозі товщиною до 7 мм. Щоб розпочати розморозування, вимкніть холодильник з мережі, витягнувши штепсель з електричної розетки.

Всі продукти слід загорнути в кілька шарів паперу і скласти в прохолодному місці (наприклад, холодильнику або коморі).

Для того, щоб прискорити розморозування, можна поставити до морозильної камери ємність з теплою водою.

Не користуйтеся гострими або ріжучими предметами, на зразок ножів або виделок для того, щоб видалити наморозь.

Ніколи не користуйтеся феном, електричним обігрівачем або будь-яким іншим електричним приладом для розморозження.

Видаліть губкою талу воду, що зібралась на дні морозильної камери. Після розморозування витріть насухо внутрішню поверхню камери (Мал. 8 и 9).

Вставте штепсель в розетку і ввімкніть холодильник.

Заміна лампочки всередині холодильника

Для заміни лампи освітлення холодильника зверніться до авторизованого сервісного центру.

Ламп(и) з цього пристрою не призначена(и) для освітлення кімнати. Призначення цієї лампи - полегшити розташування продуктів у холодильнику / морозильнику безпечним та зручним чином.

Лампи, що використовуються у цьому пристрої, повинні витримувати важкі умови експлуатації, такі як температура нижче -20°C.

Чищення холодильника і догляд за ним

1. Ми радимо вам вимикати холодильник вимикачем і витягувати штепсель з електричної розетки перед чищенням.
2. Ніколи не користуйтеся для чищення холодильника гострими інструментами або абразивними матеріалами, милом, побутовими засобами для чищення, миючими або поліруючими засобами.
3. Для чищення корпусу холодильника користуйтеся теплою водою і витирайте його насухо.
4. Змочіть ганчірку у розчині харчової соди (одна чайна ложка на півлітра води) для того, щоб вимити холодильник всередині, і протріть всі поверхні насухо.
5. Слідкуйте за тим, щоб вода не потрапляла до коробки термостату.
6. Якщо ви не збираєтесь користуватися холодильником тривалий час, вимкніть його, заберіть з нього всі продукти, вимийте зсередини та залишіть дверцята не причиненими.
7. Ми радимо Вам полірувати металеві частини корпусу (тобто, зовнішню поверхню дверей, бокові стінки) силіконовою мастикою (автомобільний поліроль) для того, щоб зберегти високу якість пофарбування.
8. Пил, що збирається на конденсаторі, розташованому в задній частині холодильника, слід раз на рік видаляти пилососом.
9. Регулярно перевіряйте ущільнення дверцят, щоб пересвідчитися, що воно чисте і на ньому немає залишків продуктів.
10. Ніколи:
 - не чистіть холодильник не призначеними для цього засобами, такими, як наприклад, речовини, що містять бензин;
 - не піддавайте холодильник впливу високої температури;
 - не мийте, не протирайте і т.п. холодильник, використовуючи абразивні матеріали;
11. Слідкуйте за тим, щоб пластмасовий лоток, розташований у задній частині холодильника для збирання талої води, був завжди чистим.

Якщо вам треба витягнути його, щоб помити, дотримуйтеся наведених нижче рекомендацій:

- вимкніть вимикач біля лампочки і витягніть штепсель з розетки;
 - обережно розігніть плоскогубцями защіпку на компресорі, щоб
12. Для того, щоб витягнути висувний ящик, потягніть його на себе до кінця, при підніміть і витягніть зовсім.

Перенавішування дверцят

Виконайте дії в послідовності, вказаній на схемі (Мал. 10).

Що слід і чого не можна робити

- Слід** - регулярно чистити і розморожувати холодильник (див. розділ «Розморожування»)
- Слід** - зберігати сире м'ясо і птицю на нижніх полицях, під полицями, на яких стоять готові страви та молочні продукти.
- Слід** - очищати овочі від землі та видаляти не використовуване листя.
- Слід** - не відрізати листя салату та петрушки від коренів, а звичайну та кольорову капусту від качана.
- Слід** - сир спершу загортати у пергаментний папір, а потім класти до поліетиленового пакету, видаляючи з пакету все повітря. Для поліпшення смакових якостей сиру, рекомендується діставати його з холодильника за годину до вживання.
- Слід** - класти сире м'ясо та птицю до поліетиленового пакету або алюмінієвої фольги, не загортаючи сильно. Це запобігає висушуванню.
- Слід** - класти рибу та тельбухи до поліетиленових пакетів.
- Слід** - загортати продукти, що мають сильний запах, чи продукти, що можуть висохнути, у поліетиленовий пакет або алюмінієву фольгу чи зберігати їх в щільно закритому посуді.
- Слід** - ретельно запаковувати хліб, щоб зберегти його свіжим.
- Слід** - охолоджувати білі вина, пиво та мінеральну воду перед вживанням.
- Слід** - частіше перевіряти продукти, що зберігаються у морозильній камері.
- Слід** - зберігати продукти впродовж якомога меншого часу і суворо дотримуватися термінів зберігання.

Слід - зберігати готові заморожені продукти відповідно до інструкцій, вказаних на упаковці.

Слід - завжди вибирати свіжі продукти високої якості і ретельно мити їх перед замороженням.

Слід - ділити свіжі продукти на маленькі порції, щоб вони швидше заморожувались.

Слід - загортати всі продукти в алюмінієву фольгу або спеціальні поліетиленові пакети для морозильника і видаляти з упаковки все повітря.

Слід - якомога скоріше загортати щойно куплені заморожені продукти і класти їх до морозильної камери.

Слід - розморожувати заморожені продукти у холодильному відділенні.

Не слід - зберігати у холодильнику банани.

Не слід - зберігати в холодильнику диню. Її можна охолодити впродовж короткого часу, якщо вона загорнута так, щоб її запахом не пропахли інші продукти.

Не слід - закривати полиці будь-якими захисними матеріалами, що можуть перешкоджати циркуляції повітря.

Не слід - зберігати в холодильнику отруйні або небезпечні речовини.

Холодильник призначений лише для зберігання харчових продуктів.

Не слід - вживати продукти, що зберігалися в холодильнику понад припустимий час.

Не слід - зберігати разом в одному посуді готові страви та свіжі продукти. Вони мають бути покладені до різних контейнерів і зберігатися окремо.

Не слід - допускати, щоб рідина з продуктів, що розморожуються, крапала на інші продукти, які зберігаються в холодильнику.

Не слід - залишати дверцята холодильника відчиненими впродовж тривалого часу, бо це призведе до додаткових витрат в його експлуатації.

Не слід - використовувати гострі або різучі предмети, на кшталт ножів або виделок для видалення наморозі.

Не слід - ставити до холодильника гарячі продукти. Треба спершу дати їм прохолонути.

Не слід - класти до морозильної камери пляшки, наповнені водою, або не відкриті банки газованої води, бо вони можуть розірватися.

Не слід - переповнювати надміру морозильну камеру під час замороження свіжих продуктів.

Не слід - давати дітям морозиво або фруктову воду прямо з морозильної камери. Вони можуть обморозити губи.

Не слід - заморожувати газовані напої.

Не слід - тривалий час зберігати розморожені продукти, їх треба використати впродовж доби або проварити і заморозити знов.

Не слід - діставати продукти з холодильника мокрими руками

Енергоспоживання

Щоб у максимальній мірі використовувати простір морозильної камери для зберігання продуктів, слід вийняти з неї центральний і верхній висувні контейнери. Дані про енергоспоживання холодильника наведені для умов, коли центральний і верхній висувні контейнери вийняті, й морозильна камера повністю завантажена.

Практичні рекомендації щодо зниження споживання електроенергії

1. Побутові електроприлади слід встановлювати у добре провітрюваних місцях подалі від джерел тепла, таких як кухонні плити, радіатори опалення й т.п. Крім того, слід уникати місць, куди потрапляє пряме сонячне проміння.
2. Придбані охолоджені чи заморожені продукти слід одразу класти відповідно у холодильне або морозильне відділення, особливо, у літню пору. Для доставки продуктів з магазину додому рекомендується використовувати термосумки.
3. Продукти, вийняті з морозильної камери, рекомендується поміщати для розморожування у холодильне відділення. Щоб не допустити забруднення холодильного відділення, заморожені продукти слід вклати у посуд, куди під час відтавання буде стікати вода. Розморожування продуктів рекомендується починати, принаймні, за добу до вживання.
4. Рекомендується відкривати дверцята якомога рідше.
5. Не залишайте дверцята приладу відкритими без потреби й стежте за тим, щоб вони завжди були щільно закриті.

Вібрація й шум, які можуть виникати під час роботи приладу

1. У процесі роботи холодильника рівень шуму може підвищуватися.

- Для підтримання температури у відділеннях на заданому рівні періодично вмикається компресор приладу. У момент запуску компресора шум підсилюється, а при вимиканні компресора чутно клацання.

- Робочі характеристики приладу можуть змінюватися залежно від змін температури навколишнього середовища. Це нормальне явище.

2. Шум, схожий на звук рідини, що ллється чи розбризкується.

- Причиною таких шумів є циркуляція холодоагенту в системі охолодження, що відповідає принципам роботи приладу.

3. Інші вібрації й шуми.

- Рівень шуму й вібрації залежить від типу й якості підлоги, на якій встановлено прилад. Підлога має бути досить рівною і витримувати вагу приладу.

- Джерелом шуму можуть бути предмети, які лежать на приладі. Такі предмети слід прибрати з приладу.


- Шум може виникати тоді, коли стикаються розташовані поруч пляшки або інший посуд. У таких випадках слід трохи розсунути пляшки або посуд.

Усунення несправностей

Якщо холодильник не працює, коли його ввімкнено, пересвідчіться:

- що штепсель вставлений до електричної розетки правильно і що електричний струм не вимкнений. (Для перевірки наявності струму ввімкніть до цієї розетки інший прилад);
 - що не згорів запобіжник, не вимкнувся вимикач, чи не вимкнений головний вимикач на розподільчому щитку;
 - що регулятор температури встановлений вірно;
 - що новий штепсель, що використовується замість заводського, поставлений вірно.
- Якщо холодильник все ще не працює після того, як Ви виконали перераховані вище перевірочні дії, зверніться по допомогу до спеціаліста Авторизованого Сервісного Центру.



Символ  на виробі чи упаковці вказує, що цей прилад не слід утилізувати з побутовими відходами. Натомість його треба здати у відповідний пункт збору для утилізації електричного та електронного обладнання. Забезпечуючи належну утилізацію цього приладу, ви сприятимете запобіганню потенційним негативним наслідкам для довкілля та здоров'я людини, які можуть бути спричинені неправильним ставленням до утилізації цього виробу. За докладнішою інформацією щодо утилізації цього виробу зверніться до місцевої адміністрації, служби утилізації побутових відходів або до магазину, в якому ви придбали прилад.

**Виробник: 'S.C. Arctic S.A.',
Gaesti, str.13 Desembrer №210,
Romania (Румунія)**

**Офіційний представник на території
України: ТОВ «Беко Україна»,
адреса: 01021, м. Київ,
вул. Кловський узвіз,
буд. 5 тел/факс.: 0-800-500-4-3-2**

Термін служби 10 років

Дата виробництва міститься в серійному номері продукту, що вказаний на етикетці, розташованій на продукті, а саме, перші дві цифри серійного номера позначають рік виробництва, а останні дві - місяць. Наприклад, «10-100001-05» означає, що продукт виготовлений в травні 2010 року.
Інформацію про сертифікацію продукту Ви можете уточнити, зателефонувавши на гарячу лінію 0-800-500-4-3-2.

4578333127/AB
EN,PYC,YA

4578333127/AB
EN,PYC,YA