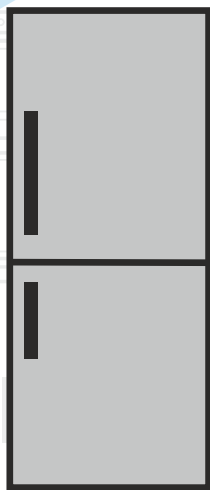


Refrigerator Chladnička Chladnica Chłodziarka Холодильники Külmik

Instruction of use
Pokyny pro používání
Návod na použitie
Instrukcja obsługi
Інструкція з експлуатації
Kasutusjuhend



BCNA275E3S

EN | CZ | SK | PL | UKR | ET

beko

Please read this user manual first!

Dear Customer,

We hope that your product, which has been produced in modern plants and checked under the most meticulous quality control procedures, will provide you an effective service.

Therefore, read this entire user manual carefully before using the product and keep it as a reference. If you handover the product to someone else, give the user manual as well.

The user manual will help you use the product in a fast and safe way.


- Read the manual before installing and operating the product.
- Make sure you read the safety instructions.
- Keep the manual in an easily accessible place as you may need it later.
- Read the other documents given with the product.

Remember that this user manual is also applicable for several other models. Differences between models will be identified in the manual.

Explanation of symbols

Throughout this user manual the following symbols are used:

 Important information or useful tips.

 Warning against dangerous conditions for life and property.

 Warning against electric voltage.



WARNING!

In order to ensure a normal operation of your refrigerating appliance, which uses a completely environmentally friendly refrigerant the R600a (flammable only under certain conditions) you must observe the following rules:

- Do not hinder the free circulation of the air around the appliance.
- Do not use mechanical devices in order to accelerate the defrosting, others than the ones recommended by the manufacturer.
- Do not destroy the refrigerating circuit.
- Do not use electric appliances inside the food keeping compartment, other than those that might have been recommended by the manufacturer.

Recycling



This product is supplied with the selective sorting symbol for waste electrical and electronic equipment (WEEE).

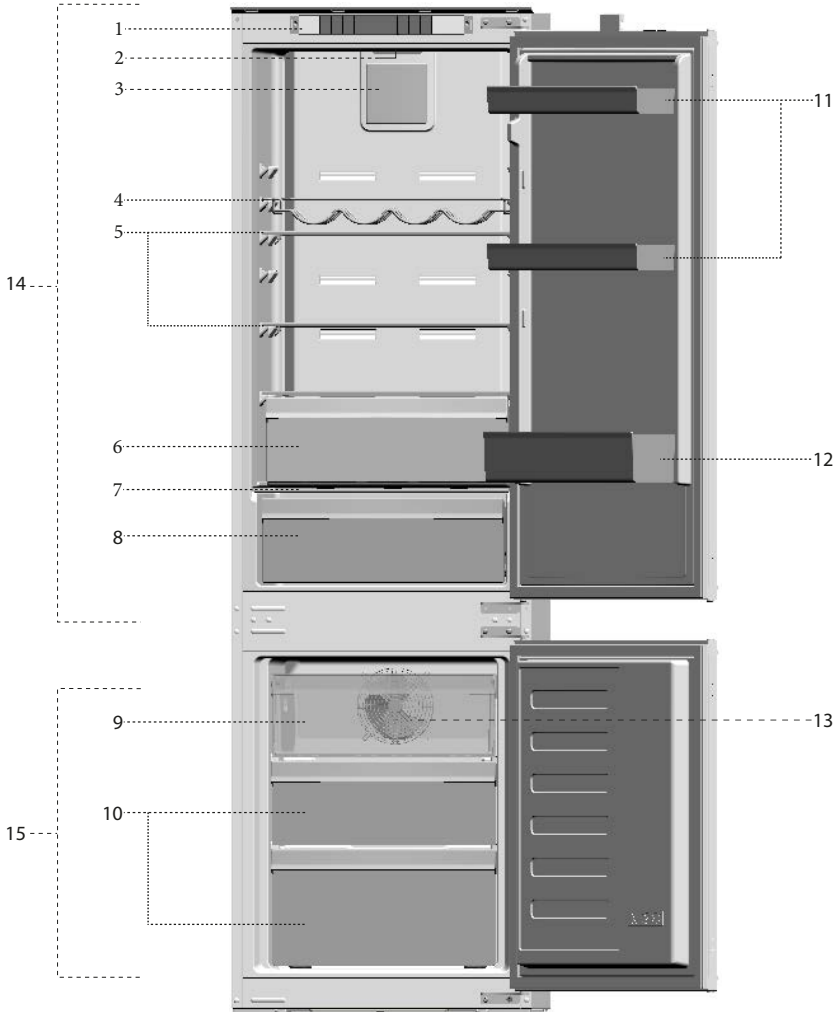
This means that this product must be handled pursuant to European Directive 2002/96/EC in order to be recycled or dismantled to minimise its impact on the environment. For further information, please contact your local or regional authorities.

Electronic products not included in the selective sorting process are potentially dangerous for the environment and human health due to the presence of hazardous substances.

CONTENTS

1 Your refrigerator	3	4 Preparation	10
2 Important Safety Warnings	4	5 Using your refrigerator	11
Intended use	4	Control panel	11
General safety	4	Dual cooling system	12
For products with a water dispenser...	6	Defrost	12
Child safety.....	6	Zero temperature compartment.....	12
HCA warning	6	6 Maintenance and cleaning	13
Things to be done for energy saving ..	6	Protection of plastic surfaces.....	13
3 Installation	7	7 Troubleshooting	14
Points to be paid attention to when the relocation of the refrigerator	7		
Before you start the refrigerator,.....	7		
Electrical connection.....	7		
Disposing of the packaging	8		
Disposing of your old refrigerator	8		
Placing and Installation	8		
Replacing the interior lamp	8		
Reversing the doors	9		

1 Your refrigerator



- | | |
|-----------------------|-------------------------------------|
| 1. Control panel | 9. Compartment for quickly freezing |
| 2. Interior light | 10. Freezer compartment drawers |
| 3. Fresh food fan | 11. Adjustable door shelves |
| 4. Wine rack | 12. Bottle shelf |
| 5. Adjustable shelves | 13. Freezer fan |
| 6. 0 °C Compartment | 14. Fridge compartment |
| 7. Crisper cover | 15. Freezer compartment |
| 8. Crisper | |

i Figures that take place in this instruction manual are schematic and may not correspond exactly with your product. If the subject parts are not included in the product you have purchased, then it is valid for other models.

2 Important Safety Warnings

Please review the following information. Failure to observe this information may cause injuries or material damage. Otherwise, all warranty and reliability commitments will become invalid.

Original Spare parts will be provided for 10 years, following the product purchasing date.

Intended use

This product is intended to be used

- indoors and in closed areas such as homes;
- in closed working environments such as stores and offices;
- in closed accommodation areas such as farm houses, hotels, pensions.
- It should not be used outdoors.

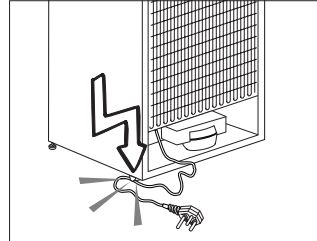
General safety

- When you want to dispose/scrap the product, we recommend you to consult the authorized service in order to learn the required information and authorized bodies.
- Consult your authorized service for all your questions and problems related to the refrigerator. Do not intervene or let someone intervene to the refrigerator without notifying the authorised services.
- For products with a freezer compartment; Do not eat cone ice cream and ice cubes immediately after you take them out of the freezer compartment! (This may cause frostbite in your mouth.)
- For products with a freezer compartment; Do not put bottled and canned liquid beverages in the freezer compartment. Otherwise, these may burst.

- Do not touch frozen food by hand; they may stick to your hand.
- Unplug your refrigerator before cleaning or defrosting.
- Vapor and vaporized cleaning materials should never be used in cleaning and defrosting processes of your refrigerator. In such cases, the vapor may get in contact with the electrical parts and cause short circuit or electric shock.
- Never use the parts on your refrigerator such as the door as a means of support or step.
- Do not use electrical devices inside the refrigerator.
- Do not damage the parts, where the refrigerant is circulating, with drilling or cutting tools. The refrigerant that might blow out when the gas channels of the evaporator, pipe extensions or surface coatings are punctured causes skin irritations and eye injuries.
- Do not cover or block the ventilation holes on your refrigerator with any material.
- Electrical devices must be repaired by only authorised persons. Repairs performed by incompetent persons create a risk for the user.
- In case of any failure or during a maintenance or repair work, disconnect your refrigerator's mains supply by either turning off the relevant fuse or unplugging your appliance.
- Do not pull by the cable when pulling off the plug.
- Place the beverage with higher proofs tightly closed and vertically.

- Never store spray cans containing flammable and explosive substances in the refrigerator.
- Do not use mechanical devices or other means to accelerate the defrosting process, other than those recommended by the manufacturer.
- This product is not intended to be used by persons with physical, sensory or mental disorders or unlearned or inexperienced people (including children) unless they are attended by a person who will be responsible for their safety or who will instruct them accordingly for use of the product.
- Do not operate a damaged refrigerator. Consult with the service agent if you have any concerns.
- Electrical safety of your refrigerator shall be guaranteed only if the earth system in your house complies with standards.
- Exposing the product to rain, snow, sun and wind is dangerous with respect to electrical safety.
- Contact authorized service when there is a power cable damage to avoid danger.
- Never plug the refrigerator into the wall outlet during installation. Otherwise, risk of death or serious injury may arise.
- This refrigerator is intended for only storing food items. It must not be used for any other purpose.
- Label of technical specifications is located on the left wall inside the refrigerator.
- Never connect your refrigerator to electricity-saving systems; they may damage the refrigerator.
- **If there is a blue light on the refrigerator, do not look at the blue light with optical tools.**
- For manually controlled refrigerators, wait for at least 5 minutes to start the refrigerator after power failure.

- This operation manual should be handed in to the new owner of the product when it is given to others.
- Avoid causing damage on power cable when transporting the refrigerator. Bending cable may cause fire. Never place heavy objects on power cable.
- Do not touch the plug with wet hands when plugging the product.



- Do not plug the refrigerator if the wall outlet is loose.
- Water should not be sprayed on inner or outer parts of the product for safety purposes.
- Do not spray substances containing inflammable gases such as propane gas near the refrigerator to avoid fire and explosion risk.
- Never place containers filled with water on top of the refrigerator; in the event of spillages, this may cause electric shock or fire.
- Do not overload the refrigerator with food. If overloaded, the food items may fall down and hurt you and damage refrigerator when you open the door.
- Never place objects on top of the refrigerator; otherwise, these objects may fall down when you open or close the refrigerator's door.
- As they require a precise temperature, vaccines, heat-sensitive medicine and scientific materials and etc. should not be kept in the refrigerator.

- If not to be used for a long time, refrigerator should be unplugged. A possible problem in power cable may cause fire.
- The plug's tip should be cleaned regularly with a dry cloth; otherwise, it may cause fire.
- Refrigerator may move if adjustable legs are not properly secured on the floor. Properly securing adjustable legs on the floor can prevent the refrigerator to move.
- When carrying the refrigerator, do not hold it from door handle. Otherwise, it may be snapped.
- When you have to place your product next to another refrigerator or freezer, the distance between devices should be at least 8 cm. Otherwise, adjacent side walls may be humidified.

For products with a water dispenser

Pressure of water mains should be minimum 1 bar. Pressure of water mains should be maximum 8 bars.

- Use only potable water.

Child safety

- If the door has a lock, the key should be kept away from reach of children.
- Children must be supervised to prevent them from tampering with the product.

HCA warning

If your product's cooling system contains R600a:

This gas is flammable. Therefore, pay attention to not damaging the cooling system and piping during usage and transportation. In the event of damage, keep your product away from potential fire sources that can cause the product catch a fire and ventilate the room in which the unit is placed.

Ignore this warning if your product's cooling system contains R134a.

Type of gas used in the product is stated in the type label which is on the left wall inside the refrigerator.

Never throw the product in fire for disposal.

Things to be done for energy saving

- Do not leave the doors of your refrigerator open for a long time.
- Do not put hot food or drinks in your refrigerator.
- Do not overload your refrigerator so that the air circulation inside of it is not prevented.
- Do not install your refrigerator under direct sunlight or near heat emitting appliances such as ovens, dishwashers or radiators. Keep your refrigerator at least 30 cm away from heat emitting sources and at least 5 cm from electrical ovens.
- Pay attention to keep your food in closed containers.
- For products with a freezer compartment; You can store maximum amount of food items in the freezer when you remove the shelf or drawer of the freezer. Energy consumption value stated for your refrigerator has been determined by removing freezer shelf or drawer and under maximum load. There is no harm to use a shelf or drawer according to the shapes and size of food to be frozen.
- Thawing frozen food in fridge compartment will both provide energy saving and preserve the food quality.

3 Installation

⚠ In case the information which are given in the user manual are not taken into account, manufacturer will not assume any liability for this.

Points to be paid attention to when the relocation of the refrigerator

1. Your refrigerator should be unplugged. Before transportation of your refrigerator, it should be emptied and cleaned.
2. Before it is re-packaged, shelves, accessories, crisper, etc. inside your refrigerator should be fixed with adhesive tape and secured against impacts. Package should be bound with a thick tape or sound ropes and the transportation rules on the package should be strictly observed.
3. Original packaging and foam materials should be kept for future transportations or moving.

Before you start the refrigerator

Check the following before you start to use your refrigerator:

1. Is the interior of the refrigerator dry and can the air circulate freely in the rear of it?
2. Clean the interior of the refrigerator as recommended in the “Maintenance and cleaning” section.
3. Connect the plug of the refrigerator to the wall socket. When the fridge door is opened, fridge internal lamp will turn on.

4. When the compressor starts to operate, a sound will be heard. The liquid and gases sealed within the refrigeration system may also give rise to noise, even if the compressor is not running and this is quite normal.
5. Front edges of the refrigerator may feel warm. This is normal. These areas are designed to be warm to avoid condensation.

Electrical connection

Connect your product to a grounded socket which is being protected by a fuse with the appropriate capacity.

Important:

The connection must be in compliance with national regulations.

- The power plug must be easily accessible after installation.
 - Electrical safety of your refrigerator shall be guaranteed only if the earth system in your house complies with standards.
 - The voltage stated on the label located at left inner side of your product should be equal to your network voltage.
 - **Extension cables and multi plugs must not be used for connection.**
- ⚠ A damaged power cable must be replaced by a qualified electrician.
- ⚠ Product must not be operated before it is repaired! There is the risk of electric shock!

Disposing of the packaging

The packing materials may be dangerous for children. Keep the packing materials out of the reach of children or dispose of them by classifying them in accordance with the waste instructions stated by your local authorities. Do not throw away with regular house waste, throw away on packaging pick up spots designated by the local authorities. The packing of your refrigerator is produced from recyclable materials.

Disposing of your old refrigerator

Dispose of your old refrigerator without giving any harm to the environment.

- You may consult your authorized dealer or waste collection center of your municipality about the disposal of your refrigerator.

Before disposing of your refrigerator, cut out the electric plug and, if there are any locks on the door, make them inoperable in order to protect children against any danger.

Placing and Installation

⚠ If the entrance door of the room where the refrigerator will be installed is not wide enough for the refrigerator to pass through, then call the authorized service to have them remove the doors of your refrigerator and pass it sideways through the door.

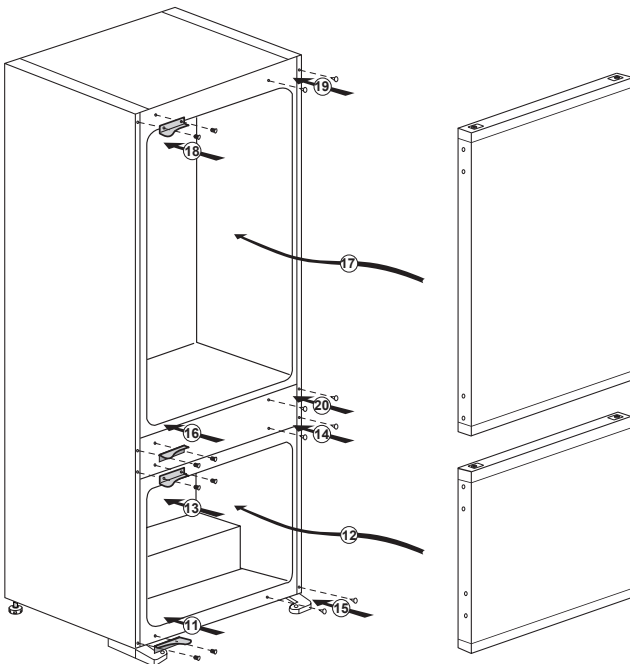
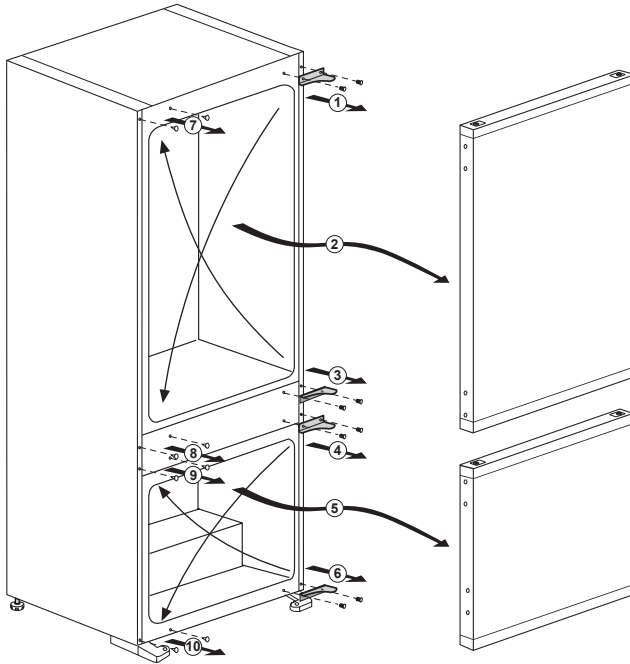
1. Install your refrigerator to a place that allows ease of use.
2. Keep your refrigerator away from heat sources, humid places and direct sunlight.
3. There must be appropriate air ventilation around your refrigerator in order to achieve an efficient operation. If the refrigerator is to be placed in a recess in the wall, there must be at least 5 cm distance with the ceiling and at least 5 cm with the wall. Do not place your product on the materials such as rug or carpet.
4. Place your refrigerator on an even floor surface to prevent jolts.
5. Do not keep your refrigerator in ambient temperatures under 10°C.

Replacing the interior lamp

To change the Bulb/LED used for illumination of your refrigerator, call your Authorised Service. The lamp(s) used in this appliance is not suitable for household room illumination. The intended purpose of this lamp is to assist the user to place foodstuffs in the refrigerator/freezer in a safe and comfortable way. The lamps used in this appliance have to withstand extreme physical conditions such as temperatures below -20°C.

Reversing the doors

Proceed in numerical order.

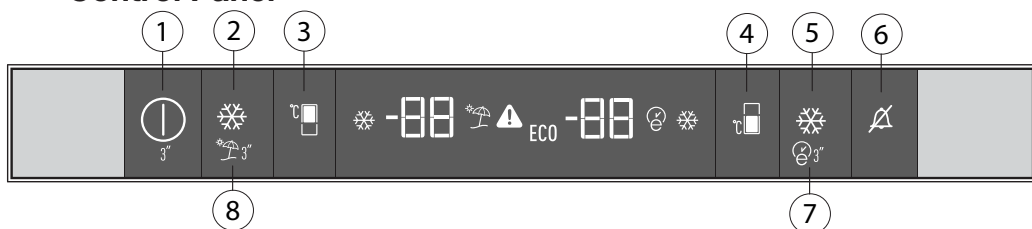


4 Preparation

- Your refrigerator should be installed at least 30 cm away from heat sources such as hobs, ovens, central heater and stoves and at least 5 cm away from electrical ovens and should not be located under direct sunlight.
- The ambient temperature of the room where you install your refrigerator should at least be 10°C. Operating your refrigerator under cooler conditions is not recommended with regard to its efficiency.
- Please make sure that the interior of your refrigerator is cleaned thoroughly.
- If two refrigerators are to be installed side by side, there should be at least 2 cm distance between them.
- When you operate your refrigerator for the first time, please observe the following instructions during the initial six hours.
- The door should not be opened frequently.
- It must be operated empty without any food in it.
- Do not unplug your refrigerator. If a power failure occurs out of your control, please see the warnings in the “Recommended solutions for the problems” section.
- Original packaging and foam materials should be kept for future transportations or moving.

5 Using your refrigerator

Control Panel



1. On / Off Indicator

When the fridge is off, (Ⓛ) symbol is lit. All the other symbols are turned off.

2. Quick fridge function

The button has two functions. To activate or deactivate the quick cool function, press it briefly. Quick Cool indicator will turn off and the product return to its normal settings. (❄️)

Use the quick cooling function when you want to quickly cool the food placed in the fridge compartment. If you want to cool large amounts of fresh food, activate this function before putting the food into the product.

If you do not cancel it, quick cooling will cancel itself automatically after 1 hours at the most or when the fridge compartment reaches to the required temperature.

3. Fridge compartment temperature setting button

Press this button to set the temperature of the fridge compartment to 8, 7, 6, 5, 4, 3, 2, 8... respectively. Press this button to set the fridge compartment temperature to the desired value. (🌡️)

4. Freezer compartment temperature setting button

Press this button to set the temperature of the freezer compartment to -18, -19, -20, -21, -22, -23, -24, -18... respectively. Press this button to set the freezer compartment temperature to the desired value. (🌡️)

5. Quick freeze function button

Press this button to activate or deactivate the quick freeze function. When you activate the function, the freezer compartment will be cooled to a temperature lower than the set value. (❄️)

Use the quick freeze function when you want to quickly freeze the food placed in freezer compartment. If you want to freeze large amounts of fresh food, activate this function before putting the food into the product.

If you do not cancel it, Quick Freeze will cancel itself automatically after 25 hours at the most or when the fridge compartment reaches to the required temperature.

6. Alarm off warning

In case of power failure/high temperature alarm, after checking the food located in the freezer compartment press the alarm off button (🔔) to clear the warning.

7. Eco fuzzy

Press and hold the eco fuzzy button for 1 seconds to activate the eco fuzzy function. The freezer will start to operate in the most economic mode at least 6 hours later and the economic usage indicator will be on (🌡️). Press and hold the eco fuzzy function button for 3 seconds to disable the eco fuzzy function.

This indicator will be on after 6 hours when eco fuzzy is activated, provided the doors are not opened.

8. Vacation Function

In order to activate vacation function, press this button (❄️🌡️) for 3 seconds, and the vacation mode indicator (❄️🌡️) will be activated. When the vacation function is activated, "V" is displayed on the fridge compartment temperature indicator and no active cooling is performed in the fridge compartment. It is not suitable to keep the food in the fridge compartment in this function. Other compartments will continue to be cooled according to their set temperatures.

To cancel this function press **Vacation** function button again.

Dual cooling system

Your refrigerator is equipped with two separate cooling systems to cool the fresh food compartment and freezer compartment. Thus, air in the fresh food compartment and freezer compartment do not get mixed. Thanks to these two separate cooling systems, cooling speed is much higher than other refrigerators. Odors in the compartments do not get mixed. Also additional power saving is provided since the defrosting is performed individually.

Defrost

A) Fridge compartment

Fridge compartment performs full-automatic defrosting.

The defrost water runs to the drain tube via a collection container at the back of the appliance. Check that the tube is permanently placed with its end in the collecting tray on the compressor to prevent the water spilling on the electric installation or on the floor.

B) Freezer compartment

The NO FROST type defrost is completely automatic. No intervention from your side is required. The water is collected on the compressor tray. Due to the heat of the compressor the water is evaporated.

Warnings!

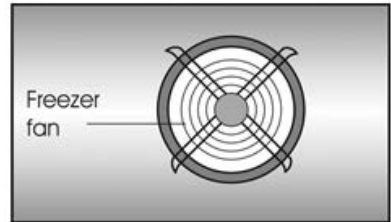
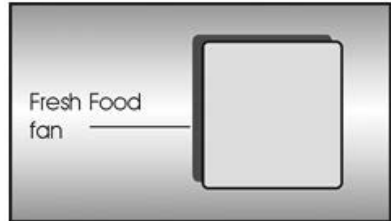
The fans inside the freezer and fresh food compartments circulates cold air. Never insert any object through the guard. Do not allow children to play with the fresh food and freezer fan.

Never store products that contain inflammable propellant gas (e.g. dispensers, spray cans etc.) or explosive substances.

Don't cover the shelves with any protective materials, which may obstruct air circulation.

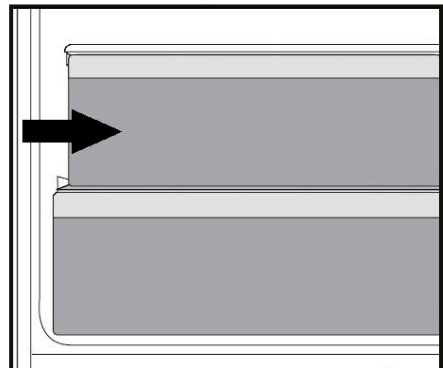
Do not allow children to play with the appliance or tamper with the controls. Do not obstruct the fan guards to ensure that you obtain the best possible performance from your appliance.

Please ensure the fans are not blocked (stopped) or impaired by food or packaging. Blocking (stopping) or impairing the fan can result in an increase of the internal freezer temperature (Thawing).



Zero temperature compartment

This compartment has been designed to store frozen food which would be thawed slowly (meat, fish, chicken, etc.) as required. Zero temperature compartment is the coldest place of your refrigerator in which dairy products (cheese, butter), meat, fish or chicken may be kept at ideal storage conditions. Vegetables and/or fruits must not be placed in this compartment.



6 Maintenance and cleaning

- ⚠ Never use gasoline, benzene or similar substances for cleaning purposes.
- ⚠ We recommend that you unplug the appliance before cleaning.
- ⚠ Never use any sharp abrasive instrument, soap, household cleaner, detergent and wax polish for cleaning.
- ℹ Use lukewarm water to clean the cabinet of your refrigerator and wipe it dry.
- ℹ Use a damp cloth wrung out in a solution of one teaspoon of bicarbonate of soda to one pint of water to clean the interior and wipe it dry.
- ⚠ Make sure that no water enters the lamp housing and other electrical items.
- ⚠ If your refrigerator is not going to be used for a long period of time, unplug the power cable, remove all food, clean it and leave the door ajar.
- ℹ Check door seals regularly to ensure they are clean and free from food particles.
- ⚠ To remove door racks, remove all the contents and then simply push the door rack upwards from the base.
- ⚠ Never use cleaning agents or water that contain chlorine to clean the outer surfaces and chromium coated parts of the product. Chlorine causes corrosion on such metal surfaces.

Protection of plastic surfaces

- ℹ Do not put the liquid oils or oil-cooked meals in your refrigerator in unsealed containers as they damage the plastic surfaces of your refrigerator. In case of spilling or smearing oil on the plastic surfaces, clean and rinse the relevant part of the surface at once with warm water.

7 Troubleshooting

Please review this list before calling the service. It will save your time and money. This list includes frequent complaints that are not arising from defective workmanship or material usage. Some of the features described here may not exist in your product.

The refrigerator does not operate.

- The plug is not inserted into the socket correctly. >>>Insert the plug into the socket securely.
- The fuse of the socket which your refrigerator is connected to or the main fuse have blown out. >>>Check the fuse.

Condensation on the side wall of the fridge compartment (MULTIZONE, COOL CONTROL and FLEXI ZONE).

- Ambient is very cold. >>>Do not install the refrigerator in places where the temperature falls below 10 °C.
- Door has been opened frequently. >>>Do not open and close the door of refrigerator frequently.
- Ambient is very humid. >>>Do not install your refrigerator into highly humid places.
- Food containing liquid is stored in open containers. >>>Do not store food with liquid content in open containers.
- Door of the refrigerator is left ajar. >>>Close the door of the refrigerator.
- Thermostat is set to a very cold level. >>>Set the thermostat to a suitable level.

Compressor is not running.

- Protective thermic of the compressor will blow out during sudden power failures or plug-out plug-ins as the refrigerant pressure in the cooling system of the refrigerator has not been balanced yet. The refrigerator will start running approximately after 6 minutes. Please call the service if the refrigerator does not startup at the end of this period.
- The fridge is in defrost cycle. >>>This is normal for a full-automatically defrosting refrigerator. Defrosting cycle occurs periodically.
- The refrigerator is not plugged into the socket. >>>Make sure that the plug is fit into the socket.
- Temperature settings are not made correctly. >>>Select the suitable temperature value.
- There is a power outage. >>>Refrigerator returns to normal operation when the power restores.

The operation noise increases when the refrigerator is running.

- The operating performance of the refrigerator may change due to the changes in the ambient temperature. It is normal and not a fault.

The refrigerator is running frequently or for a long time.

- New product may be wider than the previous one. Larger refrigerators operate for a longer period of time.
- The room temperature may be high. >>>It is normal that the product operates for longer periods in hot ambient.
- The refrigerator might be plugged in recently or might be loaded with food. >>>When the refrigerator is plugged in or loaded with food recently, it will take longer for it to attain the set temperature. This is normal.
- Large amounts of hot food might be put in the refrigerator recently. >>>Do not put hot food into the refrigerator.
- Doors might be opened frequently or left ajar for a long time. >>>The warm air that has entered into the refrigerator causes the refrigerator to run for longer periods. Do not open the doors frequently.
- Freezer or fridge compartment door might be left ajar. >>>Check if the doors are closed completely.
- The refrigerator is adjusted to a very low temperature. >>>Adjust the refrigerator temperature to a warmer degree and wait until the temperature is achieved.
- Door seal of the fridge or freezer may be soiled, worn out, broken or not properly seated. >>>Clean or replace the seal. Damaged/broken seal causes the refrigerator to run for a longer period of time in order to maintain the current temperature.

Freezer temperature is very low while the fridge temperature is sufficient.

- The freezer temperature is adjusted to a very low value. >>>Adjust the freezer temperature to a warmer degree and check.

Fridge temperature is very low while the freezer temperature is sufficient.

- The fridge temperature is adjusted to a very low value. >>>Adjust the fridge temperature to a warmer degree and check.

Food kept in the fridge compartment drawers is frozen.

- The fridge temperature is adjusted to a very high value. >>>Adjust the fridge temperature to a lower value and check.

Temperature in the fridge or freezer is very high.
<ul style="list-style-type: none"> • The fridge temperature is adjusted to a very high value. >>>Fridge compartment temperature setting has an effect on the temperature of the freezer. Change the temperatures of the fridge or freezer and wait until the relevant compartments attain a sufficient temperature. • Doors are opened frequently or left ajar for a long time. >>>Do not open the doors frequently. • Door is ajar. >>>Close the door completely. • The refrigerator is plugged in or loaded with food recently. >>>This is normal. When the refrigerator is plugged in or loaded with food recently, it will take longer for it to attain the set temperature. • Large amounts of hot food might be put in the refrigerator recently. >>>Do not put hot food into the refrigerator.
Vibrations or noise.
<ul style="list-style-type: none"> • The floor is not level or stable. >>> If the refrigerator rocks when moved slowly, balance it by adjusting its feet. Also make sure that the floor is strong enough to carry the refrigerator, and level. • The items put onto the refrigerator may cause noise. >>>Remove the items on top of the refrigerator.
There are noises coming from the refrigerator like liquid flowing, spraying, etc.
<ul style="list-style-type: none"> • Liquid and gas flows occur in accordance with the operating principles of your refrigerator. It is normal and not a fault.
Whistle comes from the refrigerator.
<ul style="list-style-type: none"> • Fans are used in order to cool the refrigerator. It is normal and not a fault.
Condensation on the inner walls of refrigerator.
<ul style="list-style-type: none"> • Hot and humid weather increases icing and condensation. It is normal and not a fault. • Doors are opened frequently or left ajar for a long time. >>>Do not open the doors frequently. Close them if they are open. • Door is ajar. >>>Close the door completely.
Humidity occurs on the outside of the refrigerator or between the doors.
<ul style="list-style-type: none"> • There might be humidity in the air; this is quite normal in humid weather. When the humidity is less, condensation will disappear.
Bad odour inside the refrigerator.
<ul style="list-style-type: none"> • No regular cleaning is performed. >>>Clean the inside of the refrigerator regularly with a sponge, lukewarm water or carbonate dissolved in water. • Some containers or package materials may cause the smell. >>>Use a different container or different brand packaging material. • Food is put into the refrigerator in uncovered containers. >>>Keep the food in closed containers. Microorganisms spreading out from uncovered containers can cause unpleasant odours. • Remove the foods that have expired best before dates and spoiled from the refrigerator.
The door is not closing.
<ul style="list-style-type: none"> • Food packages are preventing the door from closing. >>>Replace the packages that are obstructing the door. • The refrigerator is not completely even on the floor. >>>Adjust the feet to balance the refrigerator. • The floor is not level or strong. >>>Make sure that the floor is level and capable to carry the refrigerator.
Crispers are stuck.
<ul style="list-style-type: none"> • The food is touching the ceiling of the drawer. >>>Rearrange food in the drawer.

Nejprve si přečtěte tento návod!

Vážený zákazníku,

Doufáme, že výrobek, který byl vyroben v moderních závodech a kontrolován v souladu s nejpřísnějšími postupy kontroly kvality, vám zajistí účinný provoz.

Z tohoto důvodu vám doporučujeme pozorně si přečíst celý návod k výrobku, než jej použijete, a uskladněte je v dosahu pro budoucí použití.

Tento návod

- Pomůže vám s použitím spotřebiče rychle a bezpečně.
 - Návod si přečtěte dříve, než produkt nainstalujete a zapnete.
 - Dodržujte pokyny, zejména ty, které se týkají bezpečnosti.
 - Návod uschovejte na snadno přístupném místě, možná jej budete později potřebovat.
 - Kromě toho si přečtěte i další dokumenty dodané s výrobkem.
- Nezapomeňte, že tento návod může platit i pro jiné modely.

Symbyoly a jejich popis

Tento návod obsahuje následující symboly:

 Důležité informace nebo užitečné tipy k použití.

 Varování před nebezpečnými situacemi pro život a majetek.

 Varování na elektrické napětí.



UPOZORNĚNÍ!

Aby byl zajištěn normální provoz vaší chladničky, která používá pro životní prostředí zcela neškodné chladicí médium R600a (vznětlivé pouze za určitých podmínek), musíte dodržet následující pravidla:

- Nebraňte ve volné cirkulaci vzduchu kolem přístroje.
- Nepoužívejte mechanická zařízení pro zrychlení odmrazení kromě těch, která jsou doporučena výrobcem.
- Nelikvidujte chladicí okruh.
- Nepoužívejte elektrické spotřebiče uvnitř prostoru pro potraviny kromě těch, která by mohl doporučit výrobce.

Recyklace



Dodržování směrnice WEEE a o likvidaci odpadů:

Tento produkt splňuje směrnici EU WEEE (2012/19/EU). Tento výrobek nese symbol pro třídění, platný pro elektrický a elektronický odpad (WEEE).

Tento produkt byl vyroben z vysoce kvalitních součástí a materiálů, které lze znovu použít a které jsou vhodné pro recyklaci. Produkt na konci životnosti nevyhazujte do běžného domácího odpadu.

Informace o těchto sběrných místech získáte na místních úřadech.

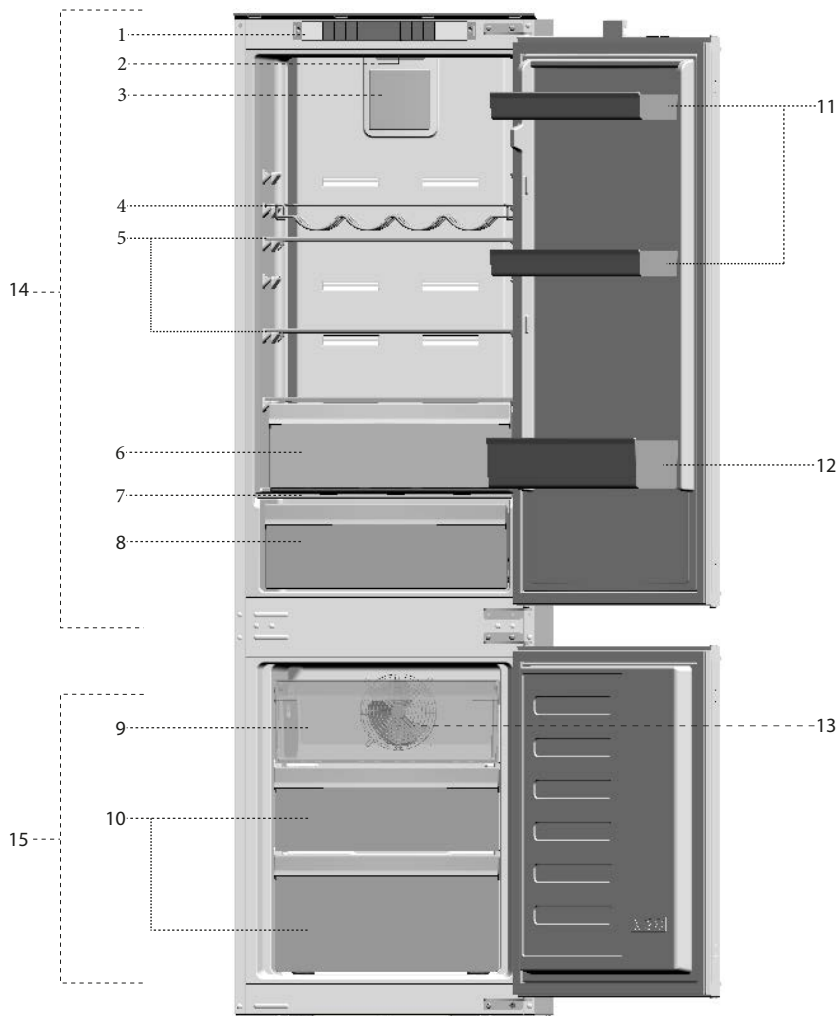
Dodržování směrnice RoHS:

Produkt, který jste zakoupili splňuje směrnicích EU RoHS (2011/65/EU). Neobsahuje žádné škodlivé ani zakázané materiály, které jsou směrnici zakázané.

OBSAH

1 Vaše chladnička	3	4 Příprava	10
2 Důležitá bezpečnostní upozornění	4	5 Použití chladničky	11
Určené použití	4	Ovládací panel	11
Obecná bezpečnost	4	Systém dvojího chlazení.....	12
U výrobků s dávkovačem vody;	6	Odmrazení.....	12
Bezpečnost dětí	6	Prostor pro skladování rychle se kazících potravin.....	12
Upozornění HCA	6	6 Údržba a čištění	13
Postup pro úsporu energie	6	Ochrana plastových ploch	13
3 Instalace	7	7 Doporučená řešení problémů	14
Body ke zvážení při přepravě chladničky	7		
Než chladničku zapnete.....	7		
Zapojení do sítě	7		
Likvidace obalu.....	7		
Likvidace vaší staré chladničky	8		
Umístění a instalace.....	8		
Výměna vnitřní žárovky	8		
Změna dvířek	9		

1 Vaše chladnička



- | | |
|-------------------------------------|--|
| 1) Ovládací panel | 9) Příhrádka na rychlé zmrazení |
| 2) Umístění osvětlení | 10) Příhrádky na uchovávání mrazených potravin |
| 3) Ventilátor pro čerstvé potraviny | 11) Nastavitelné police ve dveřích |
| 4) Podpěra na láhve vína | 12) Police na lahve |
| 5) Posuvné police | 13) Ventilátor mrazničky |
| 6) Zero Stupeň příhrádka | 14) Prostor chladničky |
| 7) Krycí sklo | 15) Prostor mrazničky |
| 8) Příhrádka na salát | |

i Obrázky uvedené v tomto návodu k použití jsou schematické a nemusí přesně korespondovat s vaším výrobkem. Pokud zobrazené části nejsou obsaženy v produktu, který jste zakoupili, jde o součásti jiných modelů.

2 Důležitá bezpečnostní upozornění

Prostudujte si následující informace. Nedodržení těchto informací může vést ke zraněním nebo škodám na majetku. Jinak neplatí záruka ani jiné závazky.

Určené použití

Tento výrobek je určen pro použití

- uvnitř a v uzavřených oblastech, jako jsou domy;
- v uzavřených pracovních prostředích, jako jsou obchody a kanceláře;
- v uzavřených obytných oblastech, jako jsou farmy, hotely, penziony.

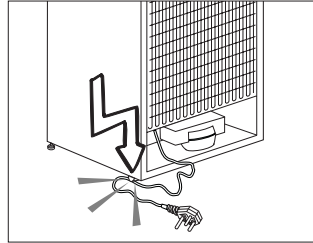
Nepoužívejte přístroj venku.

Obecná bezpečnost

- Když chcete výrobek zlikvidovat/ sešrotovat, doporučujeme kontaktovat autorizovaný servis, kde zjistíte nezbytné informace a autorizované orgány.
- Veškeré otázky a problémy související s chladničkou vám pomůže vyřešit autorizovaný servis. Nezasahujte do chladničky a nikomu toto nedovolte bez upozornění autorizovaného servisu.
- U výrobků s prostorem mrazničky: Nejezte zmrzlinu a kostky ledu bezprostředně poté, co je vyjmete z prostoru mrazničky! (Může dojít k omrznutí úst.)
- U výrobků s prostorem mrazničky: Nevkládejte do prostoru mrazničky nápoje v lahvích a plechovkách. Jinak by mohlo dojít k jejich explozi.
- Nedotýkejte se mražených potravin rukou; mohou se vám přilepit k ruce.

- Odpojte chladničku, než ji vyčistíte nebo odmrazíte.
- Výpary a parní čisticí materiály nikdy nepoužívejte při čištění a odmrazování chladničky. V těchto případech by se totiž výpary mohly dostat do styku s elektrickými součástmi a způsobit zkrat či zásah elektrickým proudem.
- Nikdy nepoužívejte součásti na chladniče, jako je ochranná deska, jako dvířka nebo podpěru nebo schůdek.
- Nepoužívejte elektrická zařízení uvnitř chladničky.
- Nepoškozujte součásti, kde obíhá chladicí médium, vrtáním nebo řezáním. Chladicí médium by mohlo vytéct v místech porušení plynových kanálů výparníku, prodlouženích trubek nebo povrchových vrstev a způsobit podráždění kůže a zranění očí.
- Nezakrývejte a neblokujte větrací otvory na chladniče žádným materiálem.
- Elektrické spotřebiče musejí opravovat jen autorizované osoby. Opravy provedené nekompetentními osobami mohou vést k ohrožení uživatele.
- V případě poruchy nebo při údržbě či opravách odpojte napájení chladničky buď vypnutím příslušné pojistky nebo odpojením spotřebiče.
- Netahejte za kabel – tahejte za zástrčku.
- Nápoje umísťujte zavřené a ve svislé poloze.
- Nikdy neskladujte nádoby s hořlavými spreji a výbušnými látkami v chladniče.

- Nepoužívejte mechanické nástroje nebo jiné prostředky k urychlení procesu odmrazení s výjimkou těch, které doporučuje výrobce.
- Tento výrobek by neměly používat osoby s tělesnými, smyslovými nebo duševními poruchami či nezkušené nebo nepoučené osoby (včetně dětí), pokud jsou bez dohledu osoby, která bude odpovídat za jejich bezpečnost nebo která jim poskytne náležitě školení k používání výrobku.
- Nepoužívejte poškozenou chladničku. V případě jakýchkoli pochybností kontaktujte servisního zástupce.
- Elektrická bezpečnost chladničky je zaručena pouze tehdy, pokud systém uzemnění ve vašem domě splňuje patřičné normy.
- Vystavení výrobku dešti, sněhu, slunci a větru je nebezpečné z hlediska elektrické bezpečnosti.
- Pokud dojde k poškození napájecího kabelu, kontaktujte autorizovaný servis.
- Během instalace nikdy nezapojujte chladničku k zásuvce. Jinak může dojít k ohrožení zdraví s následkem smrti.
- Tato chladnička je určena jen k uchování potravin. Neměla by být používána k žádnému jinému účelu.
- Štítek s technickými parametry se nachází na levé stěně uvnitř chladničky.
- Nikdy nepřipojujte chladničku k systémům pro úsporu elektřiny; mohly by chladničku poškodit.
- **Pokud na chladničce svítí modré světlo, nedívejte se do něj optickými nástroji.**
- U manuálně ovládaných chladniček počkejte nejméně 5 minut, než chladničku po výpadku energie znovu spustíte.
- Tento návod k použití předejte novému majiteli v případě prodeje výrobku.
- Při přepravě chladničky nepoškozujte napájecí kabel. Ohnutím kabelu může dojít k požáru. Na napájecí kabel nikdy nestavte těžké předměty. Nedotýkejte se zástrčky mokřými rukama při zapojování výrobku.



- Nezapojujte chladničku, pokud je zásuvka uvolněna.
- Nestříkejte vodu přímo na vnitřní či vnější části výrobku z bezpečnostních důvodů.
- Do blízkosti chladničky nestříkejte látky s hořlavými plyny, jako je propan, aby nedošlo k požáru a výbuchu.
- Na horní stranu chladničky nikdy nestavte nádoby naplněné vodou, jinak by mohlo dojít k zásahu elektrickým proudem nebo k požáru.
- Do chladničky nevkládejte přílišná množství potravin. Při přeplnění mohou potraviny spadnout dolů a poranit vás a poškodit chladničku při otevření dveří. Na horní stranu chladničky nic nestavte; tyto předměty by jinak mohly spadnout, až otevřete nebo zavřete dvířka chladničky.
- Jelikož vakcíny, léky citlivé na teplo a vědecké materiály atd. vyžadují přesnou teplotu, neskladujte je tedy v této chladničce.

- Pokud chladničku delší dobu nebudete používat, odpojte ji. Možný problém napájecího kabelu by mohl způsobit požár.
- Konec zástrčky pravidelně čistěte; jinak by mohl způsobit požár.
- Konec zástrčky pravidelně čistěte suchým hadříkem; jinak by mohl způsobit požár.
- Chladničku se může pohybovat, pokud její nožky nejsou řádně upevněny na podlaze. Správným nastavením nožek na podlaze předejdete pohybu chladničky.
- Při přenášení chladničky ji nedržte za kliku dvířek. Jinak by se mohla odlomit.
- Když musíte postavit tento výrobek vedle jiné chladničky nebo mrazničky, vzdálenost mezi zařízeními by měla být nejméně 8 cm. Jinak by mohlo dojít k provlhnutí sousedních stěn.

U výrobků s dávkovačem vody;

Tlak vody by měl být minimálně 1 bar. Tlak vody by měl být maximálně 8 barů.

- Používejte jen pitnou vodu.

Bezpečnost dětí

- Pokud mají dvířka zámek, měli byste skladovat klíč mimo dosah dětí.
- Děti je nutno kontrolovat, aby nezasahovaly do součástí výrobku.

Upozornění HCA

Pokud chladicí systém vašeho výrobku obsahuje R600a:

Tento plyn je hořlavina. Dávejte tedy pozor, abyste nepoškodili systém chlazení a potrubí během použití a přepravy. V případě poškození udržujte

výrobek mimo potenciální zdroje hoření, které mohou způsobit vznícení výrobku, a vyvětrejte místnost, v níž je přístroj umístěn.

Ignorujte toto upozornění, pokud chladicí systém vašeho výrobku obsahuje R134a.

Typ plynu použitý ve výrobku je uveden na typovém štítku na levé stěně uvnitř chladničky.

Výrobek nikdy nevhazujte do ohně.

Postup pro úsporu energie

- Nenechávejte dvířka chladničky otevřená delší dobu.
- Nevkládejte do chladničky horké potraviny nebo nápoje.
- Nepřepřlžujte chladničku, abyste nebránili oběhu vzduchu uvnitř.
- Neinstalujte chladničku na přímé sluneční světlo nebo do blízkosti tepelných spotřebičů, jako je trouba, myčka nebo radiátor.
- Dávejte pozor, abyste nechávali potraviny v uzavřených nádobách.
- U výrobků s prostorem mrazničky; Maximální množství potravin v mrazničce můžete uskladnit, pokud vyjmete polici nebo zásuvku mrazničky. Hodnota spotřeby energie udaná pro vaši chladničku byla stanovena při vyjmuté polici nebo zásuvce mrazničky a při maximální náplni. Nehrozí riziko při používání police nebo zásuvky podle tvarů a rozměrů potravin, které chcete mrazit.
- Rozmrazování zmražených potravin v prostoru chladničky zajistí úsporu energie a zachová kvalitu potravin.

3 Instalace

⚠ Nezapomeňte, že výrobce neodpovídá za nedodržení informací uvedených v návodu k použití.

Body ke zvážení při přepravě chladničky

1. Chladničku je nutno vyprázdnit a vyčistit před jakoukoli přepravou.
2. Police, příslušenství, prostor pro čerstvé potraviny atd. v chladničku je nutno řádně upoutat lepicí páskou, aby nedocházelo k vibracím.
3. Obaly je nutno upevnit silnými páskami a lany a je nutno dodržovat pravidla pro přepravu vytištěná na obalu.

Nezapomeňte...

Každý recyklovaný materiál je nezbytný zdroj pro přírodu a naše národní zdroje.

Pokud chcete přispět k recyklaci obalových materiálů, další informace získáte od orgánů ochrany životního prostředí nebo místních úřadů.

Než chladničku zapnete

Než začnete používat chladničku, zkontrolujte následující:

1. Je vnitřek chladničky suchý a může za ní volně obíhat vzduch?
2. Vyčistěte vnitřek chladničky podle kapitoly „Údržba a čištění“.
3. Zapojte chladničku do sítě. Po otevření dvířek se rozsvítí vnitřní osvětlení prostoru chladničky.
4. Uslyšíte hluk při startování kompresoru. Kapalina a plyn v chladicí soustavě mohou také vydávat zvuky, i když kompresor neběží, což je poměrně normální.

5. Přední kraje chladničky mohou být teplé. Je to zcela normální. Tyto oblasti mají být teplé, aby nedocházelo ke kondenzaci.

Zapojení do sítě

Připojte výrobek k uzemněné zásuvce, která je chráněna pojistkou vhodné kapacity.

Důležité:

- Spojení musí být v souladu s národními předpisy.
 - Napájecí kabel musí být po instalaci snadno dostupný.
 - Specifikované napětí musí být rovné napětí v síti.
 - K připojení nepoužívejte prodlužovací kabely a vícecestné zásuvky.
- ⚠** Poškozený napájecí kabel musí vyměnit kvalifikovaný elektrikář.
- ⚠** Výrobek nesmíte používat, dokud není opraven! Hrozí riziko zásahu elektrickým proudem!

Likvidace obalu

Obalové materiály mohou být pro děti nebezpečné. Udržujte materiály mimo dosah dětí nebo je zlikvidujte v souladu s pokyny zpracování odpadů. Nelikvidujte je s běžným domovním odpadem. Balení chladničky je z recyklovatelných materiálů.

Likvidace vaší staré chladničky

Starou chladničku zlikvidujte tak, abyste neohrozili životní prostředí

- Informace o likvidaci chladničky získáte u autorizovaného prodejce nebo odpadového odboru vašeho města.

Před likvidací vaší chladničky odřízněte zástrčku a v případě, že jsou na dveřích zámky, zneškodněte je, aby nedošlo k ohrožení dětí.

Umístění a instalace

⚠ Pokud nejsou vstupní dveře do místnosti, v níž chladničku nainstalujete, dostatečně široké, aby chladnička prošla, kontaktujte autorizovaný servis a nechte sejmut dveře chladničky a protáhněte je bokem.

1. Chladničku umístěte na místo, které umožňuje snadnou obsluhu.
2. Chladničku umístěte mimo zdroje tepla, vlhka a přímé světlo.
3. Kolem chladničky musí být dostatečný prostor pro ventilaci, aby se zajistila účinnost provozu. Pokud máte chladničku umístit do výklenku, musí být nejméně 5 cm od stropu a 5 cm od stěn. Pokud je na podlaze koberec, musíte zvednout produkt o 2,5 cm nad zem.
4. Umístěte chladničku na rovnou podlahu, aby nedocházelo ke kymácení.
5. Neskladujte chladničku při teplotách pod 10°C.

Výměna vnitřní žárovky

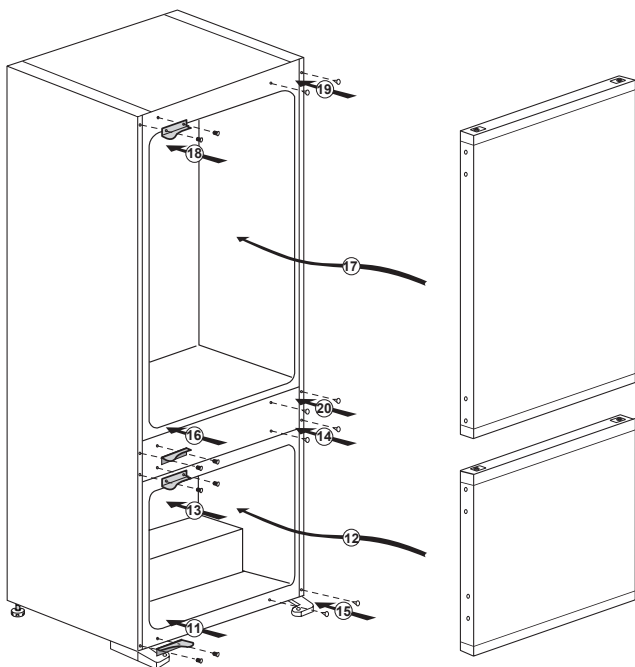
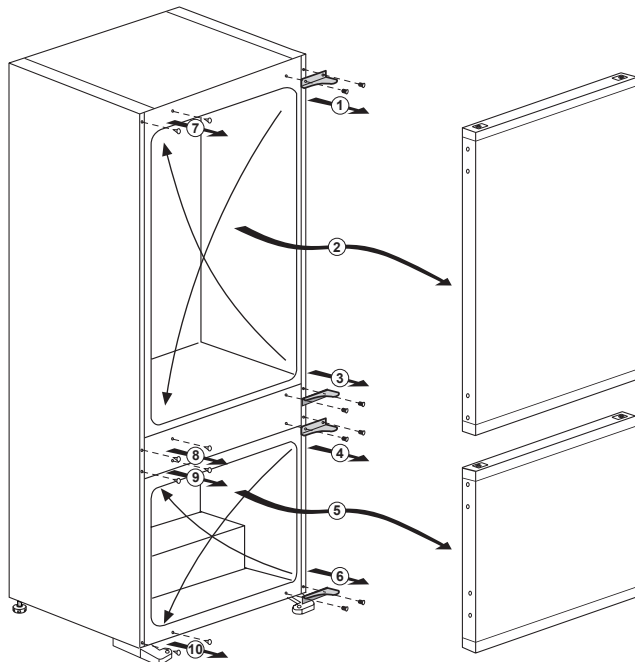
Za účelem výměny žárovky osvětlení v chladničce prosím kontaktujte Autorizovaný servis.

Lampa (y) použité v tomto přístroji nejsou vhodné pro osvětlení místnosti domácnosti. Zamýšlený účel tohoto svítidla je pomoci uživateli umístit potraviny do chladničky / mrazničky bezpečně a pohodlně.

Žárovky použité v tomto spotřebiči musí vydržet extrémní fyzické podmínky, např. teploty pod -20°C.

Změna dvířek

Postupujte podle pořadí.

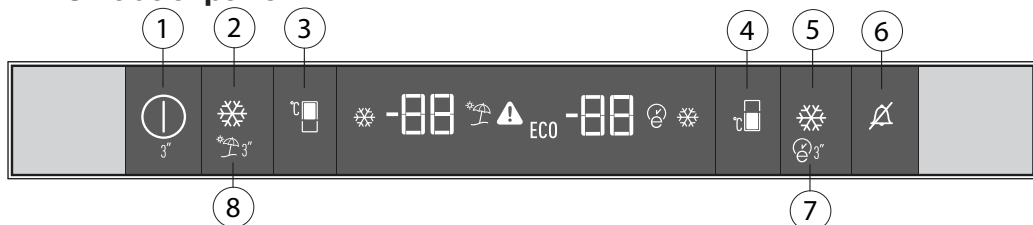


4 Příprava

- i** Chladničku instalujte nejméně 30 cm od zdrojů tepla, jako jsou varné desky, trouby, ústřední topení a sporáky a nejméně 5 cm od elektrických trub, neumísťte ji na přímé sluneční světlo.
- i** Teplota prostředí v místnosti, kde instalujete chladničku, by měla být nejméně 10°C. Používání chladničky za chladnějších podmínek se nedoporučuje vzhledem k její účinnosti.
- i** Zajistěte, aby byl vnitřek vaší chladničky důkladně vyčištěn.
- i** Pokud vedle sebe instalujete dvě chladničky, měl by mezi nimi být rozestup nejméně 2 cm.
- i** Když spustíte chladničku poprvé, dodržujte následující pokyny během prvních šesti hodin.
 - Dveře neotevírejte často.
 - Musí běžet prázdná bez vkládání potravin.
 - Neodpojujte chladničku. Pokud dojde k výpadku energie, prostudujte si varování v kapitole “Doporučená řešení problémů”.
- i** Původní obaly a pěnové materiály uschovejte pro budoucí přepravu či přesun.

5 Použití chladničky

Ovládací panel



1. Kontrolka Zap./Vyp.

Symbol (Ⓚ) se rozsvítí, je-li chladnička vypnutá. Všechny ostatní symboly zhasnou.

2. Funkce rychlého chlazení

Tlačítko má dvě funkce. Krátce ho stiskněte, chcete-li funkci rychlého chlazení aktivovat nebo deaktivovat. Kontrolka Rychlé chlazení zhasne a produkt se vrací do normálního nastavení. (⚡)

Funkci rychlého chlazení použijte, kdykoli chcete rychle zchladit potraviny vložené do chladničky. Pokud chcete zchladit velké množství čerstvých potravin, doporučujeme aktivovat tuto funkci, než vložíte potraviny do chladničky.

Pokud funkci rychlého chlazení nezrušíte, vypne se sama automaticky nejdříve po 1 hodině nebo jakmile prostor chladničky dosáhne požadované teploty.

3. Tlačítko nastavení teploty v chladničce

Stiskem tohoto tlačítka nastavíte teplotu prostoru chladničky na 8, 7, 6, 5, 4, 3, 2, 8 atd. Stiskněte toto tlačítko a nastavte teplotu v chladničce na požadovanou hodnotu. (°C)

4. Tlačítko nastavení teploty v mrazničce

Stiskem tohoto tlačítka nastavíte teplotu prostoru mrazničky na -18, -19, -20, -21, -22, -23, -24, -18 atd. Stiskněte toto tlačítko a nastavte teplotu v mrazničce na požadovanou hodnotu. (°C)

5. Tlačítko funkce rychlého mrazení

Stisknutím tohoto tlačítka aktivujete nebo deaktivujete funkci rychlého mrazení. Při aktivaci této funkce teplota v prostoru mrazničky bude snížena pod nastavenou hodnotu. (⚡)

Funkci rychlého mrazení použijte, kdykoli chcete rychle zchladit potraviny vložené do mrazničky. Pokud chcete zmrazit velké množství čerstvých potravin, doporučujeme aktivovat tuto funkci, než vložíte potraviny do mrazničky.

Pokud funkci rychlého mrazení nezrušíte, vypne se sama automaticky nejdříve po 25 hodinách nebo jakmile prostor mrazničky dosáhne požadované teploty.

6. Varování vypnutí alarmu

V případě upozornění na výpadek napájení, vysokou teplotu, po kontrole potravin v mrazničce stiskněte tlačítko vypnutí alarmu (⚡) a varování vymažte.

7. Eco fuzzy

Tlačítko Eco fuzzy stiskněte a přidržte na 1 sekundu a aktivujte tímto funkci Eco fuzzy. Chladnička se spustí v nejušpornějším režimu nejméně o 6 hodin později a ukazatel úsporného provozu se rozsvítí (Ⓚ). Pro vypnutí funkce Eco fuzzy stiskněte a přidržte tlačítko Eco fuzzy na 3 sekundy.

Tato kontrolka se rozsvítí po 6 hodinách od aktivace funkce Eco fuzzy za podmínky, že dvířka spotřebiče nejsou otevřena.

8. Funkce Dovolená

Abyste aktivovali funkci dovolené, na 3 sekundy stiskněte toto tlačítko (⚡), aktivuje se kontrolka režimu dovolené (⚡). Když se kontrolka funkce dovolené aktivuje, na panelu kontrolky chladničky se zobrazí "- -" a v chladničce nedochází k žádnému aktivnímu chlazení. Když je tato funkce aktivována, není vhodné uchovávat potraviny v prostoru chladničky. Ostatní prostory se budou chladit v souladu s nastavenou teplotou.

Chcete-li tuto funkci zrušit, znovu stiskněte tlačítko funkce **Dovolená**.

System dvojího chlazení

Vaše chladnička je vybavena dvěma samostatnými chladicími systémy k chlazení prostoru pro čerstvé potraviny a mrazicího prostoru. Vzduch v prostoru pro čerstvé potraviny a v mrazicím prostoru se tedy nemísí. Díky těmto dvěma chladicími systémům je rychlost chlazení mnohem vyšší než u jiných chladniček. Pachy v obou prostorech se nemísí. Při jednotlivém odmrazování dochází k další úspoře energie.

Odmrazení

A) Prostor chladničky

Prostor chladničky se odmrazuje automaticky.

Odmražená voda stéká do odčerpávací trubice přes sběrnou nádobu na zadní straně spotřebiče. Zkontrolujte, zda je hadice neustále umístěná koncem v sběrném tácu na kompresoru, aby nedošlo k rozlití vody na elektrickou instalaci nebo zem.

B) Prostor mrazničky

„NO FROST“ odmrazování je zcela automatické.

Není nutný žádný zásah z vaší strany. Voda se shromáždí na plátu kompresoru. Voda se vypařuje vlivem tepla od kompresoru.

Upozornění !

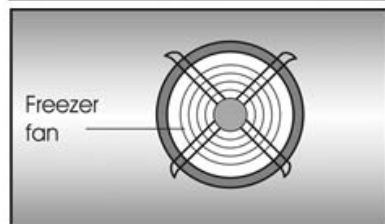
Větráky rozhánějí chladný vzduch v prostoru mrazničky a prostoru pro čerstvé potraviny. Nikdy nevkládejte žádné předměty skrz mřížku. Nedovolte dětem hrát si s ventilátorem mrazničky a prostoru pro čerstvé potraviny.

Nikdy neskladujte výrobky s obsahem vznětlivého pohonného plynu (např. dávkače, plechovky spreje atd.) nebo výbušné látky.

Nezakrývejte police ochrannými materiály, které by mohly bránit v cirkulaci vzduchu.

Nedovolte dětem hrát si se spotřebičem nebo manipulovat s ovladači. Neblokujte mřížku ventilátoru, abyste dosáhli co nejlepší výkonnosti vašeho spotřebiče.

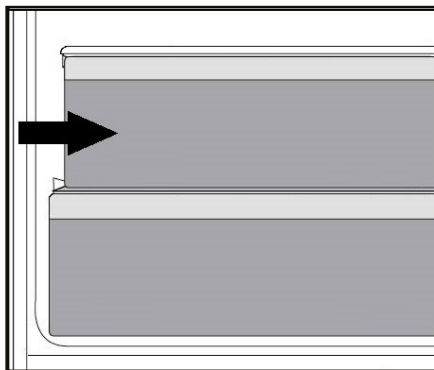
Ověřte, zda ventilátory nejsou zablockované (zastavené) nebo blokováné potravinami či balením. Blokování (zastavení) či zablockování ventilátoru může vést k vyšší teplotě vnitřního mrazničky (roztavení).



Prostor pro skladování rychle se kazících potravin

Tento prostor byl navržen ke skladování mražených potravin, které lze pomalu rozmrazit (maso, ryby, kuře, atd.). Prostor s nízkou teplotou je nestudenější místo v chladničce, kde lze v ideálních podmínkách skladovat mléčné produkty (sýr, máslo), maso nebo kuře.

Do tohoto prostoru nepatří zelenina ani ovoce.



6 Údržba a čištění

- ⚠ Nikdy na čištění nepoužívejte benzin, technický benzin a podobné materiály.
- ⚠ Doporučujeme odpojit přístroj od sítě, než jej začnete čistit.
- ⚠ Nikdy nepoužívejte brusné nástroje, mýdlo, domovní čistič, odmašťovač či voskové čisticí prostředky.
- ℹ Použijte vlažnou vodu pro vyčištění skříně a otřete ji pak dosucha.
- ℹ Použijte vlhký hadřík namočený do roztoku jedné čajové lžičky sody bikarbony na půl litru vody na vyčištění vnitřku, pak jej dosucha otřete.
- ⚠ Zajistěte, aby do krytu světla a jiných elektrických prvků nepronikla voda.
- ⚠ Pokud chladničku delší dobu nebudete používat, odpojte napájecí kabel, vyjměte všechny potraviny, vyčistěte jej a nechte dveře otevřené.
- ℹ Pravidelně kontrolujte těsnění dvířek, abyste zajistili jejich čistotu a nezanesení částicemi potravin.
- ⚠ Pro odstranění polic ve dveřích odstraňte všechnu obsah a pak jen zvedněte dveřní polici vzhůru ze základny.
- ⚠ K čištění vnějších povrchů a chrómem potažených součástí produktu nikdy nepoužívejte čisticí prostředky nebo vodu, která obsahuje chlór. Chlór způsobuje korozi takových kovoých povrchů.

Ochrana plastových ploch

- ℹ Nevkládejte tekuté oleje nebo pokrmy s obsahem oleje do chladničky v neuzavřených nádobách, jelikož poškodí plastovou plochu vaší chladničky. V případě rozlití nebo rozetření oleje na plastové ploše vyčistěte a opláchněte příslušnou část plochy teplou vodou.

7 Doporučená řešení problémů

Než zavoláte do servisu, projděte si tento seznam. Možná vám ušetří čas a peníze. Tento seznam obsahuje časté stížnosti, které nejsou způsobeny vadným zpracováním či použitými materiály. Některé zde uvedené funkce nemusejí být přítomny na vašem výrobku.

Chladnička nefunguje.

- Je chladnička řádně zapojena? Zasuňte zástrčku do sítě.
- Není vypálena pojistka zástrčky, do níž je chladnička zapojena, nebo hlavní pojistka? Zkontrolujte pojistku.

Kondenzace na boční stěně prostoru chladničky (MULTIZONE, COOL CONTROL a FLEXI ZONE).

- Velmi nízká teplota prostředí. Časté otevírání a zavírání dveří. Vysoká vlhkost v prostředí. Skladování potravin s obsahem kapalin v otevřených nádobách. Nechání otevřených dveří. Přepnutí termostatu na nižší teplotu.
- Snížení času otevřených dveří nebo méně časté použití.
- Zakrytí potravin v otevřených nádobách vhodným materiálem.
- Otřete kondenzaci suchým hadrem a ověřte, zda je stále přítomna.

Kompresor neběží.

- Tepelná pojistka kompresoru se zapne během náhlého výpadku energie nebo odpojení a zapojení, jelikož tlak chladicího média v chladicí soustavě chladničky není dosud vyvážen. Vaše chladnička začne fungovat asi po 6 minutách. Kontaktujte servis, pokud se chladnička nespustí na konci této doby.
- Chladnička je v režimu odmrazování. Toto je normální pro chladničku s plně automatickým odmrazováním. Cyklus odmražení probíhá pravidelně.
- Chladnička není zapojena do zásuvky. Ověřte, zda je zástrčka řádně zasunuta do zásuvky.
- Je správně nastavena teplota?
- Možná je odpojeno napájení.

Chladnička často běží nebo běží dlouhodobě.

- Nový výrobek může být širší než předchozí. Je to zcela normální. Četší chladničky fungují delší dobu.
- Okolní teplota v místnosti je možná vysoká. Je to zcela normální.
- Chladnička možná byla nedávno zapojena nebo byla naplněna potravinami. Ochlazování chladničky může trvat o pár hodin déle.
- V nedávné době jste do chladničky vložili velké množství teplých pokrmů. Horké pokrmy způsobují delší fungování chladničky až do dosažení bezpečné teploty pro uchování.
- Dveře se mohly otevřít častěji nebo byly ponechány dlouhou dobu otevřené. Teplý vzduch, který pronikl do chladničky, způsobil dlouhodobější chod chladničky. Otevírejte dveře méně často.
- Mraznička nebo dveře chladničky zůstaly dokořán. Zkontrolujte, zda jsou dveře pevně zavřeny.
- Chladnička je nastavena na velmi nízkou teplotu. Upravte teplotu chladničky na vyšší hodnotu a počkejte na dosažení této teploty.
- Těsnění dveří chladničky nebo mrazničky může být ušpiněno, opotřebené, prasklé nebo nesprávně usazené. Vyčistěte nebo vyměňte těsnění. Poškození/prasklé těsnění způsobuje dlouhodobý chod chladničky pro udržení správné teploty.

Teplota mrazničky je velmi nízká, zatímco teplota v chladničce je dostatečná.

- Teplota mrazničky je nastavena na velmi nízkou teplotu. Upravte teplotu mrazničky na vyšší hodnotu a zkontrolujte ji.

Teplota chladničky je velmi nízká, zatímco teplota v mrazničce je dostatečná.

- Teplota chladničky může být nastavena na velmi nízkou teplotu. Upravte teplotu chladničky na vyšší hodnotu a zkontrolujte ji.

Jídlo v chladničce začíná mrznout.

- Teplota chladničky může být nastavena na velmi nízkou teplotu. Upravte teplotu chladničky na vyšší hodnotu a zkontrolujte ji.

Teplota v mrazničce nebo chladničce je velmi vysoká.

- Teplota chladničky může být nastavena na velmi vysokou teplotu. Nastavení chladničky má vliv na teplotu v mrazničce. Změňte teplotu chladničky nebo mrazničky, dokud teplota v chladničce nebo mrazničce nedosáhne dostatečnou hodnotu.
- Dveře se mohly otevřít častěji nebo byly ponechány dlouhou dobu otevřené; otevírejte je méně často.
- Možná jste nechali nedovřená dvířka; zavírejte je úplně.
- V nedávné době jste do chladničky vložili velké množství teplých pokrmů. Počkejte, až chladnička nebo mraznička dosáhne požadované teploty.
- Chladnička byla nedávno zapojena. Úplné ochlazení chladničky trvá nějakou dobu.

<p>Provozní hluk se zvyšuje, když je chladnička zapnutá.</p> <ul style="list-style-type: none"> • Provozní vlastnosti chladničky se mohou změnit podle výkyvů okolní teploty. Je to normální, nejde o poruchu.
<p>Vibrace nebo hluk.</p> <ul style="list-style-type: none"> • Podlaha není rovná nebo je slabá. Chladnička se při pohybu kymácí. Ověřte, zda je podlaha dostatečně pevná pro chladničku a zda je rovná. • Hluk mohou způsobovat předměty vkládané na chladničku. Předměty na horní straně chladničky sejměte.
<p>Ozývá se zvuk z chladničky jako rozlévání kapaliny nebo stříkání.</p> <ul style="list-style-type: none"> • Proudění kapalin a plynu se může objevit v souladu s provozními zásadami vaší chladničky. Je to normální, nejde o poruchu.
<p>Ozývá se hluk jako kvílení větru.</p> <ul style="list-style-type: none"> • Jsou v provozu ventilátory pro ochlazení chladničky. Je to normální, nejde o poruchu.
<p>Kondenzace na vnitřních stěnách chladničky.</p> <ul style="list-style-type: none"> • Horké a vlhké počasí zvyšuje tvorbu ledu a kondenzace. Je to normální, nejde o poruchu. • Možná zůstala nedovřená dvířka; zajistěte úplné uzavření dveří. • Dveře se mohly otevřít častěji nebo byly ponechány dlouhou dobu otevřené; otevírejte je méně často.
<p>Vlhkost na vnější straně chladničky nebo mezi dveřmi.</p> <ul style="list-style-type: none"> • Ve vzduchu může být vlhkost; toto je ve vlhkém počasí poměrně normální. Po poklesu vlhkosti kondenzace zmizí.
<p>Nepříjemný zápach v chladničce.</p> <ul style="list-style-type: none"> • Chladničku je nutno vyčistit uvnitř. Vyčistěte vnitřek chladničky houbičkou, vlažnou vodou nebo karbonovou vodou. • Některé nádoby či obalové materiály mohou způsobit zápach. Použijte odlišnou nádobu nebo obalový materiál jiné značky.
<p>Dvířka se nezavírají.</p> <ul style="list-style-type: none"> • Zabalené potraviny mohou bránit v zavírání dveří. Vyměňte obaly, které brání v chodu dveří. • Chladnička nestojí zcela svise na podlaze a při pohybu se mírně pohupuje. Upravte seřizovací šrouby. • Podlaha není rovná či silná. Ověřte, zda je podlaha rovná a unese chladničku.
<p>Příhrádky na čerstvé potraviny jsou zaseklé.</p> <ul style="list-style-type: none"> • Potraviny se možná dotýkají horní strany zásuvek. Upravte rozložení potravin v zásuvce.

Prosím, prečítajte si najskôr túto príručku!

Vážený zákazník,

Dúfame, že váš produkt, ktorý bol vyrobený v moderných továrňach a skontrolovaný v rámci prepracovaných postupov riadenia kvality, vám bude úspešne a efektívne slúžiť.




Preto vám odporúčame, aby ste si pozorne prečítali celú túto príručku k vášmu produktu predtým, ako ho začnete používať, a ponechajte si ju poruke, aby ste si ju v prípade potreby mohli prezerat'.

Tento manuál

- Vám pomôže používať váš prístroj rýchle a bezpečne.
 - Manuál si prečítajte pred inštaláciou a prevádzkou vášho produktu.
 - Dodržiavajte pokyny, obzvlášť tie, ktoré sa týkajú bezpečnosti.
 - Manuál si uschovajte na ľahko prístupnom mieste, pretože ho môžete neskôr potrebovať.
 - Okrem toho si prečítajte aj ostatné dokumenty dodané s vaším produktom.
- Majte na pamäti, že tento manuál platí aj pre iné modely.

Symbols a ich popis

Tento návod na obsluhu obsahuje nasledovné symboly:

-  Dôležité informácie alebo užitočné tipy.
-  Výstraha pred ohrozením života a majetku.
-  Výstraha pred elektrickým napätím.



VAROVANIE!

Aby sa zabezpečila normálna prevádzka vašej chladničky, ktorá používa úplne ekologicky nezávadné chladivo R 600a (horľavé len pri určitých podmienkach), musíte dodržiavať nasledujúce pravidlá:

- Nebráňte voľnej cirkulácii vzduchu okolo spotrebiča.
- Nepoužívajte mechanické prístroje na urýchľovanie rozmrazovacieho procesu, iné ako odporúča výrobca.
- Neporušujte chladiaci okruh.
- Nepoužívajte elektrické spotrebiče vo vnútri pípacieho priestoru potravín, iné ako tie, ktoré odporúča výrobca.

Recyklácia



Tento produkt obsahuje symbol samostatného roztriedenia pre odpadové elektrické a elektronické vybavenie (WEEE).

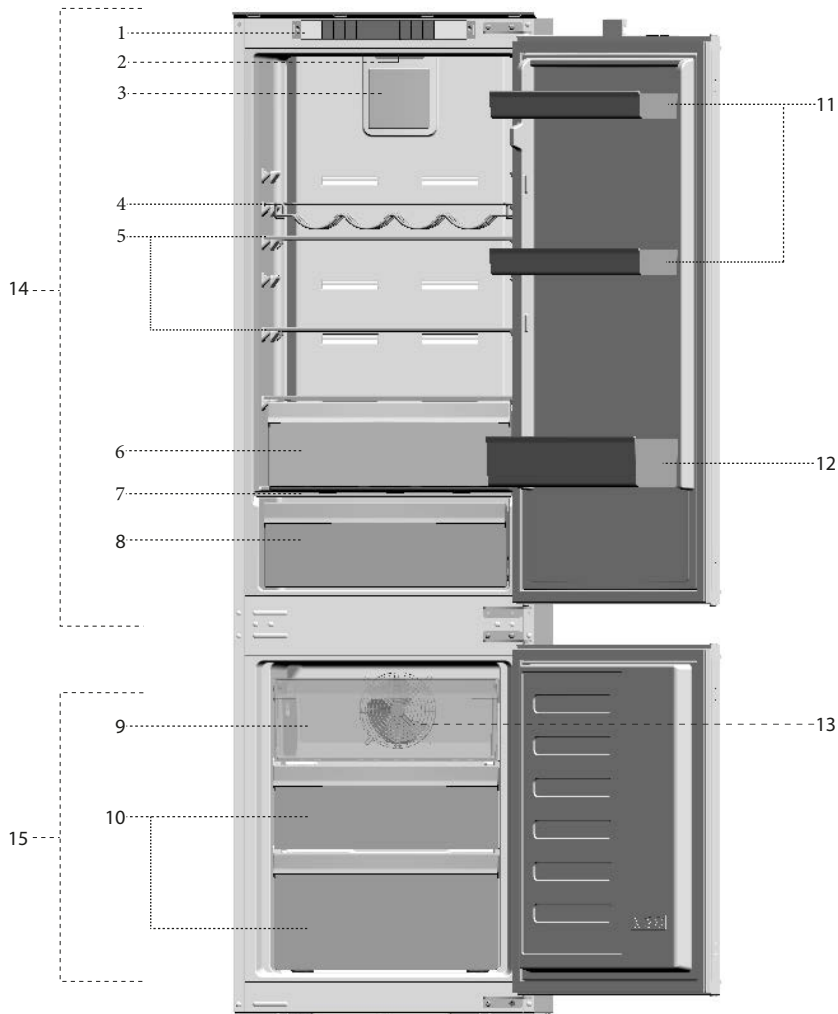
To znamená, že s týmto produktom sa musí narábať v súlade s európskou normou 2002/96/ES, aby sa mohol recyklovať alebo rozobrať, čím sa minimalizuje jeho dopad na životné prostredie. Ohľadom ďalších informácií kontaktujte vaše miestne alebo okresné úrady.

Elektronické produkty, ktoré nie sú súčasťou roztriedovacieho procesu, sú potenciálne nebezpečné pre životné prostredie a ľudské zdravie, kvôli prítomnosti nebezpečných látok.

OBSAH

1 Vaša chladnička	3	4 Príprava	10
2 Dôležité bezpečnostné výstrahy	4	5 Použitie chladničky	11
Určené použitie.....	4	Ovládací panel.....	11
Všeobecná bezpečnosť	4	Duálny systém chladenia	12
Pri výrobkoch s dávkovačom vody	6	Rozmrazenie	12
Bezpečnosť detí	6	Priestor pre skladovanie rýchlo sa kaziacich potravín	12
Upozornenie HCA.....	6	6 Údržba a čistenie	13
Veci, ktoré treba urobiť pre úsporu energie	6	Ochrana plastových povrchov	13
3 Inštalácia	7	7 Odporúčané riešenia problémov	14
Body, ktoré je potrebné zvažovať pri opakovanej preprave chladničky	7		
Pred uvedením chladničky do prevádzky	7		
Elektrické pripojenie.....	7		
Likvidácia obalu	8		
Likvidácia vašej starej chladničky	8		
Umiestnenie a inštalácia	8		
Výmena žiarovky vnútorného osvetlenia	8		
Obrátenie dverí	9		

1 Vaša chladnička



- | | |
|----------------------------------|--|
| 1) Ovládací panel | 9) Priečnik pre rýchle mrazenie |
| 2) Puzdro osvetlenia | 10) Priestory pre uchovávanie mrazených potravín |
| 3) Ventilátor | 11) Nastaviteľné poličky na dverách |
| 4) Priehradka na víno | 12) Polica na fľašky |
| 5) Pohyblivé police | 13) Ventilátor mrazničky |
| 6) Zero stupeň priehradka | 14) Priečnik chladničky |
| 7) Sklenený kryt | 15) Priečnik mrazničky |
| 8) Priečnik na zeleninu a ovocie | |

i Obrázky v tejto príručke k obsluhu sú schematické a nemusia sa presne zhodovať s vaším produktom. Ak produkt, ktorý ste si zakúpili, nedisponuje uvádzanými časťami, potom sa to týka iných modelov.

2 Dôležité bezpečnostné výstrahy

Prečítajte si nasledujúce informácie. Nedodrievanie týchto informácií môže mať za následok zranenia alebo vecné škody. Všetky záručné záväzky tým strácajú platnosť.

Originálne náhradné súčiastky budú dodávané po dobu 10 rokov od kúpy výrobku.

Určené použitie

Tento výrobok je určený na použitie

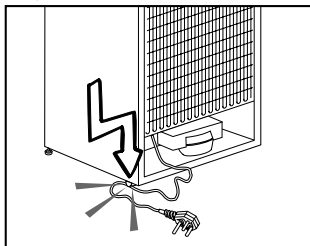
- v interiéroch a v uzatvorených oblastiach, ako napríklad v domoch,
- v uzatvorených pracovných prostrediach, ako napríklad obchody a kancelárie,
- v uzatvorených ubytovacích oblastiach, ako napríklad chalupy, hotely, penzióny.
- Tento výrobok sa nesmie používať v exteriéroch.

Všeobecná bezpečnosť

- Ak chcete vyradiť/zlikvidovať tento produkt, odporúčame vám poradiť sa s autorizovaným servisom, aby ste získali potrebné informácie o autorizovaných orgánoch zriadených na tento účel.
- Obráťte sa na autorizovaný servis so všetkými otázkami a problémami s vašou chladničkou. Nezasahujte ani nenechajte iných zasahovať do chladničky bez upozornenia autorizovaného servisu.
- Pri výrobkoch s mraziacim priečinkom nejedzte zmrzlinu v kornútoch a kocky ľadu ihneď po ich vybratí z mraziaceho priečinka! (Môžete si tým spôsobiť nepríjemný mrazivý pocit v ústach.)
- Pri výrobkoch s mraziacim priečinkom nedávajte do mraziaceho priečinka tekuté nápoje vo fľašiach a plechovkách. V opačnom prípade by mohli prasknúť.

- Mrazeného jedla sa nedotýkajte rukami; mohlo by sa k ruke prilepiť.
- Pred čistením alebo rozmrazovaním chladničku odpojte.
- Para a parové čistiace prostriedky by sa nikdy nemali používať pri čistení a odmrazovaní vašej chladničky. V takýchto prípadoch by sa para mohla dostať do kontaktu s elektrickými dielmi a spôsobiť skrat alebo zásah elektrickým prúdom.
- Nikdy nepoužívajte rôzne časti, ako napr. dvere, ako podpery alebo schodíky.
- Vo vnútri vašej chladničky nepoužívajte elektrické zariadenia.
- Časti, v ktorých cirkuluje chladivo, nepoškodujte nástrojmi na víťanie alebo rezanie. V prípade perforácie plynových kanálov výparníka, trubkových rozšírení alebo povrchových úprav, spôsobuje rozliaty chladiaci prostriedok podráždenie pokožky a zranenia očí.
- Neprekrývajte ani neblokujte ventilačné otvory na chladničke žiadnymi materiálmi.
- Elektrické spotrebiče musia opravovať len oprávnené osoby. Opravy vykonávané nekompetentnými osobami predstavujú riziko pre používateľa.
- V prípade zlyhania alebo počas údržby alebo opráv odpojte chladničku od elektrického rozvodu buď vypnutím príslušnej poistky alebo odpojením spotrebiča od siete.
- Pri odpájaní zásuvky neťahajte za kábel, ale potiahnite zásuvku.
- Nápoje s vysokým obsahom alkoholu umiestnite tesne vedľa seba a vertikálne.
- V chladničke neskladujte spreje s rozprašovačom, ktoré obsahujú horľavé alebo výbušné látky.

- Nepoužívajte mechanické prístroje alebo iné prostriedky na urýchľovanie rozmrazovacieho procesu iné ako tie, ktoré odporúča výrobca.
- Tento produkt nie je určený na používanie osobami s fyzickými, zmyslovými alebo duševnými poruchami alebo nepoučenými alebo neskúsenými osobami (vrátane detí), pokiaľ pri nich nie je osoba, ktorá je zodpovedná za ich bezpečnosť, alebo ktorá ich riadne poučí o používaní produktu.
- Neuvádzajte do prevádzky poškodenú chladničku. Ak máte akékoľvek pochybnosti, obráťte sa na servisného zástupcu.
- Elektrická bezpečnosť vašej chladničky je zaručená len vtedy, keď je váš uzemňovací systém v zhode s týmito štandardmi.



- Vystavenie produktu pôsobeniu dažďa, snehu, slnka a vetra je nebezpečné z pohľadu elektrickej bezpečnosti.
- Pri poškodení elektrického kábla kontaktujte autorizovaný servis, aby ste zabránili ohrozeniu.
- Počas inštalácie nikdy chladničku nepripájajte do elektrickej zásuvky. V opačnom prípade vznikne riziko usmrtenia alebo vážneho zranenia.
- Táto chladnička je určená len na skladovanie potravín. Nepoužívajte ju na žiadne iné účely.
- Štítok s technickými údajmi sa nachádza na ľavej stene vo vnútri chladničky.
- Chladničku nezapájajte do elektronických systémov na úsporu energie, pretože ju môžu poškodiť.
- **Ak je v chladničke modré svetlo, nepozerajte sa naň cez optické zariadenia.**
- Manuálne riadené chladničky zapínajte po výpadku prúdu s odstupom najmenej 5 minút.
- Pri odovzdaní produktu inej osobe odovzdajte túto príručku k obsluhu novému vlastníkovi.
- Zabráňte poškodeniu elektrického kábla pri preprave chladničky. Prehýbanie kábla môže spôsobiť požiar. Na napájací kábel nedávajte ťažké predmety. Pri zapájaní produktu sa zástrčky nedotýkajte mokrymi rukami.
- Chladničku nezapájajte, ak je zásuvka na stene uvoľnená.
- Z bezpečnostných dôvodov nestriekajte vodu priamo na vnútorné alebo vonkajšie časti produktu.
- Z dôvodu rizika požiaru a výbuchu nerozstrekujte v blízkosti chladničky horľavé materiály, ako napríklad propánový plyn a pod.
- Na chladničku neumiestňujte nádoby naplnené vodou, pretože môžu spôsobiť zásah elektrickým prúdom alebo požiar.
- Nepreťažujte chladničku nadmernými množstvami potravín. Ak je preťažená, potraviny môžu spadnúť a spôsobiť vám zranenie a poškodiť chladničku, keď otvoríte dvere. Na chladničku nikdy nedávajte predmety, pretože môžu spadnúť, keď otvoríte alebo zatvoríte dvere chladničky.
- V chladničke neuchovávajte vakcíny, lieky citlivé na teplo, vedecké materiály a pod., ktoré si vyžadujú presnú teplotu.

- Ak sa chladnička nebude dlhší čas používať, treba ju odpojiť zo siete. Možný problém s napájacím káblom môže spôsobiť požiar.
- Výbežky zástrčky by sa mali pravidelne čistiť, pretože v opačnom prípade môže dôjsť k požiaru.
- Výbežky zástrčky by sa mali pravidelne čistiť suchou handričkou, pretože v opačnom prípade môže dôjsť k požiaru.
- Keď nastaviteľné nožičky nie sú umiestnené pevne na podlahe, môže dôjsť k posunu chladničky. Správnym upevnením nastaviteľných nožičiek na podlahe možno zabrániť posúvaniu chladničky.
- Pri prenášaní chladničky ju nedržte za rukoväť na dverách. V opačnom prípade môže prasknúť.
- Ak musíte umiestniť produkt vedľa inej chladničky alebo mrazničky, vzdialenosť medzi nimi musí byť najmenej 8 cm. Inak môžu príľahlé steny strán navlhnúť.

Pri výrobkoch s dávkovačom vody

- musí byť tlak prívodu vody najmenej 1 bar. Tlak prívodu vody musí byť najviac 8 barov.
- Používajte len pitnú vodu.

Bezpečnosť detí

- Ak dvere obsahujú zámku, kľúč uchovávajte mimo dosah detí.
- Deti musia byť pod dohľadom, aby sa zabránilo ich zasahovaniu do produktu.

Upozornenie HCA

Chladiaci systém vášho výrobku obsahuje R600a:

Tento plyn je horľavý. Preto dajte pozor na to, aby ste nepoškodili chladiaci systém a potrubné vedenia pri používaní a preprave. V prípade poškodenia udržiavajte produkt mimo potenciálnych zdrojov plameňa, ktoré by mohli spôsobiť vznietenie produktu, a miestnosť, kde je zariadenie umiestnené, dostatočne vetrajte.

Ignorujte toto upozornenie, ak chladiaci systém vášho výrobku obsahuje R134a.

Typ plynu použitý vo výrobku je uvedený na typovom štítku, ktorý sa nachádza na ľavej stene vnútri chladničky.

Produkt nelikvidujte hodením do ohňa.

Veci, ktoré treba urobiť pre úsporu energie

- Dvere vašej chladničky nenechávajte otvorené dlhý čas.
- Do chladničky nevkladajte horúce jedlá alebo nápoje.
- Chladničku nepreplňajte, aby ste neblokovali prúdenie vzduchu v interiéri.
- Vašu chladničku neumiestňujte na priame slnečné svetlo alebo do blízkosti spotrebičov, ktoré produkujú teplo, ako napr. rúry na pečenie, umývačky riadu alebo radiátory.
- Dbajte na to, aby ste jedlo uchovávali v uzavretých nádobách.
- Pri výrobkoch s mraziacim priečinkom môžete v mrazničke skladovať maximálny objem potravín vtedy, keď odstránite poličku alebo priečinok mrazničky. Hodnota spotreby energie stanovená pre vašu chladničku bola stanovená tak, že sa odstráni polička alebo priečinok mrazničky a pri maximálnom vyťažení. So zreteľom na tvary a veľkosť potravín určených na zamrazenie neexistuje pri používaní police alebo zásuvky žiadne riziko.
- Rozmrazovanie mrazených potravín v priečinku chladničky zabezpečuje úsporu energie a taktiež zachováva kvalitu potravín.

3 Inštalácia

⚠ Zapamätajte si, že výrobca nie je zodpovedný za škody v prípade, ak nedodržíte pokyny v návode na použitie.

Body, ktoré je potrebné zvažovať pri opakovanej preprave chladničky

1. Vaša chladnička musí byť pred presunom prázdna a očistená.
2. Police, príslušenstvo, priehradky atď. vo vašej chladničke musia byť pred opätovným zabalením chladničky zalepené a zaistené voči otrasom.
3. Balenie musíte zaistiť hrubými páskami alebo silnými lanami a musíte dodržiavať bezpečnostné pokyny na balení.

Nezabudnite...

Každý recyklovaný materiál je nepostrádateľným zdrojom pre prírodu a národné zdroje.

Ak by ste chceli prispieť k recyklácii obalových materiálov, informácie môžete získať u ekologických organizácií alebo na miestnych úradoch.

Pred uvedením chladničky do prevádzky

Pred začatím používania vašej chladničky skontrolujte nasledovné:

1. Je interiér chladničky suchý a môže vzduch ľahko cirkulovať v zadnej časti?
2. Vyčistíte interiér chladničky podľa odporúčania v časti „Údržba a čistenie“.

3. Chladničku pripojte do elektrickej zásuvky. Keď sa otvoria dvere chladničky, zapne sa vnútorné svetlo.
4. Budete počuť zvuk pri zapnutí kompresora. Kvapalina a plyny utesnené v chladiacom systéme môžu vydávať nejaký zvuk, bez ohľadu na to, či kompresor je alebo nie je v prevádzke. Toto je celkom normálne.
5. Predné hrany chladničky môžu byť zohriate. To je normálne. Tieto časti sú vytvorené tak, aby boli zohriate, aby sa predišlo kondenzácii.

Elektrické pripojenie

Pripojte výrobok k uzemnenej zástrčke, ktorá je chránená poistkou príslušnej kapacity.

Dôležité:

- Pripojenie musí byť v zhode s národnými predpismi.
 - Elektrická zásuvka musí byť po inštalácii ľahko prístupná.
 - Určené napätie musí byť rovnaké ako napätie vo vašej elektrickej sieti.
 - Predlžovacie káble a rozbočky sa nesmú používať na pripojenie zariadenia.
- ⚠ Poškodený elektrický kábel musí vymeniť kvalifikovaný elektrikár.
- ⚠ Zariadenie sa nesmie prevádzkovať dovtedy, pokiaľ nebude opravené! Hrozí nebezpečenstvo zásahu elektrickým prúdom!

Likvidácia obalu

Obalový materiál môže byť nebezpečný pre deti. Obalový materiál držte mimo dosahu detí alebo ho vyhodte podľa pokynov pre likvidáciu odpadu. Neodhadzujte ho spolu s normálnym domovým odpadom. Balenie chladničky je vyrobené z recyklovateľných materiálov.

Likvidácia vašej starej chladničky

Vašu starú chladničku zlikvidujte ekologicky.

- O likvidácii vašej starej chladničky sa môžete poradiť s vašim autorizovaným predajcom alebo zberným miestom.

Pred likvidáciou vašej chladničky odrežte elektrickú zásuvku a ak sa na dverách nachádzajú nejaké zámky, znefunkčnite ich, aby ste nevystavili deti žiadnemu nebezpečenstvu.

Umiestnenie a inštalácia

⚠ Ak vstupné dvere v miestnosti, kde bude chladnička nainštalovaná, nie sú dostatočne široké na to, aby cez ne chladnička prešla, zavolajte do autorizovaného servisu, aby odmontovali dvere vašej chladničky a bokom ju preniesli cez dvere.

1. Chladničku nainštalujte na miesto, ktoré umožňuje ľahké použitie.
2. Chladničku udržiavajte mimo dosah zdrojov tepla, vlhkých miest a priameho slnečného svetla.
3. Kvôli dosiahnutiu účinnej prevádzky musí byť v okolí chladničky dostatočné vetranie. Ak bude chladnička umiestnená vo výklenku v stene, minimálna vzdialenosť od stropu musí byť 5 cm a od steny 5 cm.

Ak je podlaha pokrytá kobercom, výrobok musí byť zdvihnutý do výšky 2,5 cm od podlahy.

4. Kvôli zabráneniu hádzaniu dajte chladničku na rovnú podlahu.

5. Chladničku neuchovávajte pri teplote okolia pod 10 °C.

Výmena žiarovky vnútorného osvetlenia

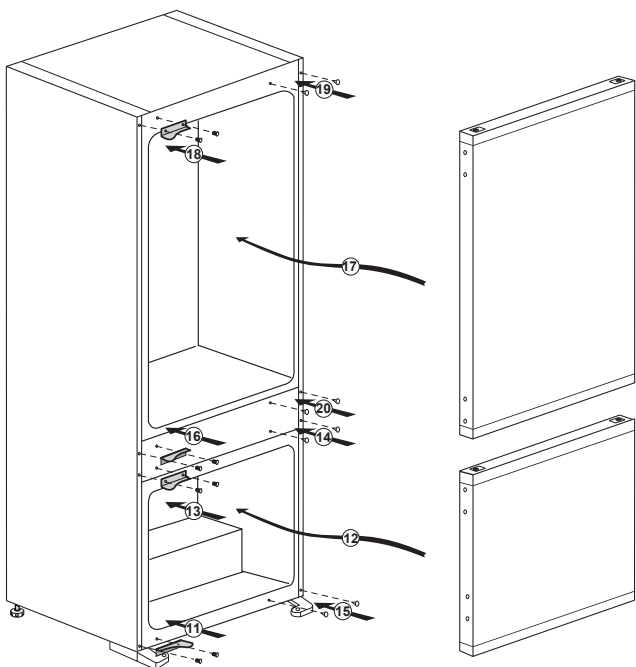
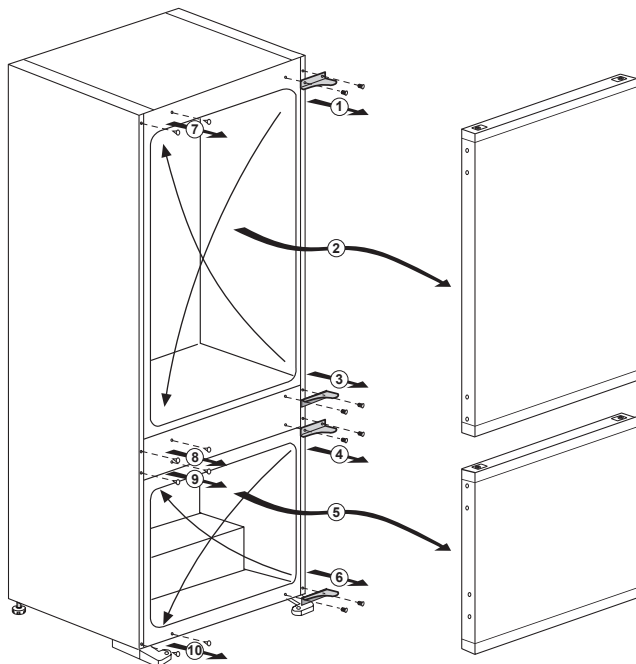
Ak chcete vymeniť lampu použitú na osvetlenie vašej chladničky, zavolajte do autorizovaného servisu.

Lampa(y) použité v tomto prístroji nie sú vhodné pre osvetlenie miestnosti domácnosti. Zamýšľaný účel tohto svietidla je pomôcť užívateľovi umiestniť potraviny do chladničky/mrazničky bezpečne a pohodlne.

Žiarovky použité v tomto spotrebiči musí vydržať extrémne fyzické podmienky, napr. teploty pod -20°C.

Obrátenie dverí

Postupujte podľa číselného poradia.

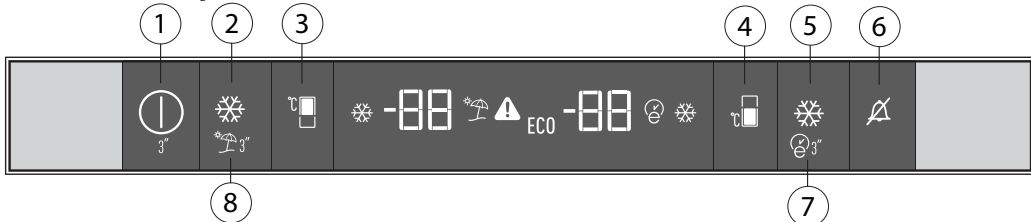


4 Príprava

- i** Vaša chladnička by mala byť umiestnená v najmenej 30 cm vzdialenosti od zdrojov tepla, ako sú horáky, rúry na pečenie, radiátory a kachle a najmenej v 5 cm vzdialenosti od elektrických rúr na pečenie a nemala by byť umiestnená na priamom slnku.
- i** Teplota prostredia v miestnosti, kde chladničku inštalujete, by mala byť aspoň 10 °C. Prevádzka chladničky v chladnejšom prostredí sa neodporúča s ohľadom na jej účinnosť.
- i** Uistite sa, že je interiér vašej chladničky dôkladne vyčistený.
- i** Ak sa budú vedľa seba inštalovať dve chladničky, mala by byť medzi nimi vzdialenosť minimálne 2 cm.
- i** Pri prvom spustení vašej chladničky počas šiestich hodín dodržujte nasledujúce pokyny.
 - Dvere by ste nemali otvárať príliš často.
 - Chladnička musí byť počas tohto času prázdna.
 - Chladničku neodpájajte od siete. Ak dôjde k výpadku napájania, ktoré nemôžete ovplyvniť, pozrite si upozornenia v časti „Odporúčané riešenia problémov“.
- i** Originálny obal a penové materiály by ste si mali odložiť za účelom budúceho transportu a prenášania.

5 Použitie chladničky

Ovládací panel



1. Kontrolka Zap./Vyp.

Keď je chladnička vypnutá, rozsvieti sa symbol (⏻). Všetky ostatné symboly sa vypnú.

2. Funkcia rýchleho chladenia

Tlačidlo má dve funkcie. Krátko ho stlačíte, ak chcete funkciu rýchleho chladenia aktivovať alebo deaktivovať. Indikátor rýchleho chladenia sa vypne a výrobok sa prepne späť na svoje normálne nastavenie. (❄️)

Funkciu rýchleho chladenia použite, kedykoľvek chcete rýchlo schladiť potraviny vložené do chladničky. Ak chcete schladiť veľké množstvo čerstvých potravín, odporúčame aktivovať túto funkciu, než vložíte potraviny do spotrebiča.

Ak funkciu rýchleho chladenia nezrušíte, vypne sa sama automaticky najneskôr po 1 hodine alebo akonáhle priestor chladničky dosiahne požadovanú teplotu.

3. Tlačidlo na nastavenie teploty v priestore chladničky

Stlačením tohto tlačidla nastavíte teplotu priečinku chladničky jednotlivu na 8, 7, 6, 5, 4, 3, 2, 8 atď. Stlačením tohto tlačidla nastavíte želanú teplotu pre priečink chladničky na požadovanú hodnotu. (📏)

4. Tlačidlo nastavenia teploty priečinka mrazničky

Stlačením tohto tlačidla nastavíte teplotu priečinku mrazničky na úroveň -18, -19, -20, -21, -22, -23, -24, -18 atď. Stlačením tohto tlačidla nastavíte želanú teplotu pre priečink mrazničky na požadovanú hodnotu. (📏)

5. Tlačidlo funkcie rýchleho mrazenia

Stlačte toto tlačidlo pre aktiváciu alebo deaktiváciu funkcie rýchleho mrazenia. Pri aktivácii tejto funkcie teplota v priestore mrazničky bude znížená pod nastavenú hodnotu. (❄️)

Funkciu rýchleho mrazenia použite, kedykoľvek chcete rýchlo schladiť potraviny vložené do mrazničky. Ak chcete zmraziť veľké množstvo čerstvých potravín, odporúčame aktivovať túto funkciu, než vložíte potraviny do produktu.

Ak funkciu rýchleho mrazenia nezrušíte, vypne sa sama automaticky najneskôr po 25 hodinách alebo akonáhle priestor chladničky dosiahne požadovanú teplotu.

6. Výstraha vypnutia alarmu

V prípade upozornenia na výpadok napájania, vysokú teplotu, po kontrole potravín v mrazničke stlačte tlačidlo vypnutia alarmu (⚡) a varovanie vymažte.

7. Eco fuzzy

Tlačidlo Eco fuzzy stlačte a pridržte na 1 sekundu a aktivujte funkciu Eco fuzzy. Mraznička sa spustí v najúspornejšom režime najmenej o 6 hodín neskôr a rozsvieti sa ukazovateľ úspornej prevádzky (🌿). Tlačidlo Eco fuzzy stlačte a pridržte na 3 sekundy a funkciu Eco fuzzy vypnete. Táto kontrolka sa rozsvieti po 6 hodinách od aktivácie funkcie Eco fuzzy, ak dvierka spotrebiča nie sú otvorená.

8. Funkcia dovolenky

Aby ste aktivovali funkciu Dovolenka, na 3 sekundy stlačte toto tlačidlo (🏖️), aktivuje sa kontrolka režimu dovolenky (🏖️). Keď je aktivovaná funkcia dovolenky, na indikátore teploty priečinka chladničky sa zobrazí “-” a priečink chladničky sa nebude aktívne chladíť. Keď je táto funkcia aktivovaná, nehodí sa uchovávať potraviny v chladničke. Ostatné priečinky sa budú chladíť v súlade s nastavenou teplotou. Ak chcete túto funkciu zrušiť, znova stlačte tlačidlo funkcie **Dovolenka**.

Duálny systém chladenia

Vaša chladnička je vybavená dvomi samostatnými chladiacimi systémami určenými na chladenie priečinka čerstvých potravín a priečinka mrazničky. To znamená, že vzduch z priečinka čerstvých potravín sa nemieša so vzduchom z priečinka mrazničky. Vďaka týmto dvom oddeleným chladiacim systémom je rýchlosť chladenia oveľa vyššia, ako pri iných chladničkách. Pachy v priečinkoch sa nezmiešavajú. Vďaka samostatnému rozmrazovaniu dochádza k ďalšej úspore energie.

Rozmrazenie

A) Priestor chladničky

Priestor chladničky rozmrazuje automaticky.

Rozmrazená voda steká do výtokového potrubia cez zbernú nádrž na zadnej strane spotrebiča. Skontrolujte, či je potrubie nepretržite umiestnené koncom v zbernom podnose na kompresore, aby sa zabránilo rozliatiu vody na elektroinštaláciu alebo na podlahu.

B) Priestor mrazničky

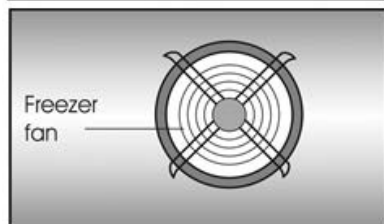
Rozmrazovanie typu NO FROST je úplne automatické. Nevyžaduje sa žiadny zásah z vašej strany. Voda sa zbiera na zásobníku kompresora. Z dôvodu teploty kompresora sa voda odparuje.

Upozornenia!

Ventilátory v priestore mrazničky a čerstvých potravín rozháňajú chladný vzduch. Cez ochranný prvok nikdy nezasúvajte žiadny objekt. Nedovoľte deťom, aby sa hrali s ventilátorom priestoru čerstvých potravín a mrazničky. Nikdy neskladujte produkty, ktoré obsahujú horľavý stlačený plyn (napr. dávkovače, postrekovacie konzervy atď.) alebo výbušné látky. Neprikrývajte poličky akýmikoľvek ochrannými materiálmi, ktoré môžu zabrániť cirkulácii vzduchu.

Nedovoľte deťom hrať sa so zariadením alebo s ovládačmi. Neblokujte ochranné prvky ventilátora, aby sa zaistilo, že zariadenie zaistí najlepší možný výkon.

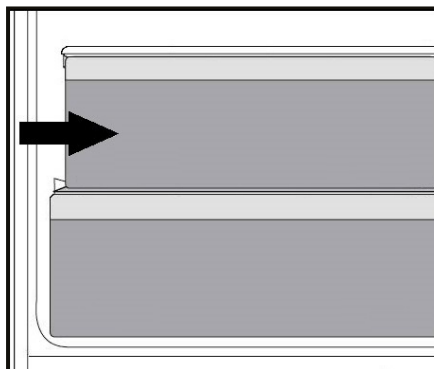
Zaistite, aby neboli ventilátory blokované (zastavené), prípadne aby neboli narušené jedlom alebo balením. Blokovanie (zastavenie) alebo narušenie ventilátora môže spôsobiť nárast vnútornej teploty mrazničky (roztápanie).



Priestor pre skladovanie rýchlo sa kaziacich potravín

Tento priestor bol navrhnutý na skladovanie mrazených potravín, ktoré možno pomaly rozmraziť (mäso, ryby, kura, atď.). Priestor s nízkou teplotou je najchladnejšie miesto v chladničke, kde možno v ideálnych podmienkach skladovať mliečne produkty (syr, maslo), mäso alebo kura.

Do tohto priestoru nepatria zelenina ani ovocie.



6 Údržba a čistenie

- ⚠ Na čistenie nikdy nepoužívajte benzín, benzén alebo obdobné prostriedky.
- ⚠ Odporúčame vám, aby ste zariadenie pred čistením odpojili od siete.
- ⚠ Na čistenie nikdy nepoužívajte žiadne ostré a drsné predmety, mydlo, domáce čistiadlá, saponáty a voskové leštidlá.
- ℹ Na čistenie skrine chladničky použite vlažnú vodu a vytrite ju do sucha.
- ℹ Pomocou vlhkej handry namočenej do roztoku jednej lyžičky sódy bikarbóny v pol litri vody očistite vnútrajšok a vytrite ho do sucha.
- ⚠ Uistite sa, že do puzdra lampy, prípadne iných elektrických súčiastok, neprenikne voda.
- ⚠ Ak sa chladničku nechystáte používať dlhšie obdobie, odpojte napájací kábel, vyberte všetky potraviny, vyčistite ju a dvere nechajte pootvorené.
- ℹ Pravidelne kontrolujte, či je tesnenie dverí čisté a zbavené odrobiniek z potravín.
- ⚠ Ak chcete odstrániť prיעínky vo dverách, vyberte celý ich obsah a potom jednoducho potlačte prיעínok nahor zo základne.

⚠ Na čistenie vonkajších povrchov a chrómových dielov produktu nikdy nepoužívajte čistiace prostriedky ani vodu s obsahom chlóru. Chlór spôsobuje koróziu takýchto kovových povrchov.

Ochrana plastových povrchov

ℹ KvapalnÉ oleje a vyprážené jedlá nedávajte do chladničky v otvorených nádobách, pretože poškodzujú plastové povrchy vašej chladničky. V prípade rozliatia alebo roztritia oleja na plastové povrchy okamžite vyčistite a opláchnite príslušnú časť povrchu teplou vodou.

7 Odporúčané riešenia problémov

Pred zavolaním servisu si pozrite tento zoznam. Môže vám to ušetriť čas aj peniaze. Tento zoznam obsahuje bežné sťažnosti, ktoré sa nevzťahujú na chybné spracovanie alebo využitie materiálu. Niektoré z tu popísaných funkcií nemusí váš produkt obsahovať.

Chladnička nefunguje.

- Je chladnička správne pripojená do siete? Zasuňte zásuvku do stenovej zástrčky.
- Nie je prepálená poistka, ku ktorej je pripojená chladnička, alebo hlavná poistka? Skontrolujte poistku.

Kondenzácia na bočnej stene priestoru chladničky (MULTIZÓNA, OVLÁDANIE CHLADU a FLEXI ZÓNA).

- Veľmi studené podmienky prostredia. Časté otváranie a zatváranie dverí. Veľmi vlhké podmienky prostredia. V chladničke sa nachádzajú potraviny obsahujúce kvapaliny v otvorených nádobách. Ponechanie pootvorených dverí. Prepnutie termostatu do chladnejšej polohy.
- Skrátenie doby otvorenia dverí alebo ich zriedkavejšie používanie.
- Prikrytie jedla v otvorených nádobách vhodným materiálom.
- Vlhkosť poutierajte suchou handrou a skontrolujte, či stále pretrváva.

Kompresor nie je v prevádzke.

- Ochranná teplotná poistka kompresora sa vypáli počas náhleho výpadku napájania alebo pri vytiahnutí a opätovnom zastrčení zásuvky, pretože tlak chladiva v chladničke ešte nie je vyvážený. Vaša chladnička začne pracovať po približne šiestich minútach. Ak po tomto čase chladnička nezačne fungovať, zavolajte servis.
- Chladnička je v rozmrazovacom cykle. Pre plne automatickú rozmrazovaciu chladničku je to normálne. Cyklus odmrázovania sa vykonáva pravidelne.
- Chladnička nie je pripojená do siete. Ubezpečte sa, že ste zástrčku správne vložili do zásuvky.
- Sú správne vykonané nastavenia teploty?
- Napájanie je možno prerušené.

<p>Chladnička pracuje príliš často alebo príliš dlhý čas.</p> <ul style="list-style-type: none"> • Váš nový produkt môže byť širší ako predchádzajúci. To je úplne normálne. Veľké chladničky pracujú dlhší čas. • Okolité teplota môže byť vysoká. To je úplne normálne. • Chladnička mohla byť zapnutá len nedávno alebo mohlo byť do nej vložené jedlo. Kompletné vychladenie chladničky môže trvať o niekoľko hodín dlhšie. • Do chladničky mohlo byť len nedávno vložené väčšie množstvo teplého jedla. Teplé jedlo spôsobuje dlhší chod chladničky, kým sa nedosiahne bezpečná teplota skladovania. • Dvere mohli byť často otvárané alebo ponechané po dlhý čas v pootvorenom stave. Teplý vzduch, ktorý prenikol do chladničky, spôsobuje, že chladnička pracuje dlhší čas. Dvere otvárajte menej často. • Oddelenie mrazničky alebo chladničky mohlo byť ponechané pootvorené. Skontrolujte, či sú dvere tesne zatvorené. • Teplota v chladničke je nastavená na veľmi nízku hodnotu. Nastavte teplotu v chladničke na vyššiu a vyčkajte, kým je táto teplota dosiahnutá. • Tesnenie dverí chladničky alebo mrazničky môže byť zanesené špinou, opotrebované, poškodené alebo nesprávne nasadené. Vyčistite alebo vymeňte tesnenie. Poškodené tesnenie spôsobuje, že chladnička pracuje dlhšiu dobu, aby udržala požadovanú teplotu.
<p>Teplota mrazničky je veľmi nízka, zatiaľ čo teplota chladničky je dostatočná.</p> <ul style="list-style-type: none"> • Teplota v mrazničke je nastavená na veľmi nízku hodnotu. Nastavte teplotu v mrazničke na vyššiu a skontrolujte.
<p>Teplota chladničky je veľmi nízka, zatiaľ čo teplota mrazničky je dostatočná.</p> <ul style="list-style-type: none"> • Teplota v chladničke je možno nastavená na veľmi nízku teplotu. Nastavte teplotu v chladničke na vyššiu a skontrolujte.
<p>Jedlo uložené v spodných zásuvkách chladničky je zmrazené.</p> <ul style="list-style-type: none"> • Teplota v chladničke je možno nastavená na veľmi nízku teplotu. Nastavte teplotu v chladničke na vyššiu a skontrolujte.
<p>Teplota v chladničke alebo mrazničke je príliš vysoká.</p> <ul style="list-style-type: none"> • Teplota v chladničke je možno nastavená na veľmi vysokú hodnotu. Nastavenia chladničky vplyvajú na teplotu v mrazničke. Zmeňte teplotu chladničky alebo mrazničky, pokým sa tieto teploty nedostanú na adekvátnu úroveň. • Dvere mohli byť často otvárané alebo ponechané po dlhý čas v pootvorenom stave - otvárajte ich menej často. • Dvere ste možno nechali pootvorené - dvere úplne zatvorte. • Do chladničky ste možno nedávno vložili väčšie množstvo teplého jedla. Počkajte, kým mraznička alebo chladnička dosiahnu požadovanú teplotu. • Chladnička mohla byť pripojená do siete len nedávno. Úplné ochladenie chladničky nejaký čas trvá.

Prevádzkový hluk sa zvyšuje, keď chladnička pracuje.
<ul style="list-style-type: none"> • Prevádzkový výkon chladničky sa môže meniť podľa zmeny teploty okolia. Je to úplne normálne a neznamená to poruchu.
Otrasy alebo hluk.
<ul style="list-style-type: none"> • Podlaha nie je rovná alebo nie je pevná. Chladnička sa trasie pri pomalom pohybe. Skontrolujte, či podlaha dokáže uniesť hmotnosť chladničky a či je rovná. • Hluk môže byť spôsobený predmetmi položenými na chladničke. Odstráňte predmety na vrchu chladničky.
Z chladničky vychádzajú zvuky ako rozliatie alebo rozstrekovanie kvapaliny.
<ul style="list-style-type: none"> • Tok kvapaliny a plynu sa uskutočňuje podľa prevádzkových princípov. Je to úplne normálne a neznamená to poruchu.
Chladnička vydáva zvuky ako fúkanie vetra.
<ul style="list-style-type: none"> • Na ochladenie chladničky sa používajú ventilátory. Je to úplne normálne a neznamená to poruchu.
Kondenzácia na vnútorných stenách chladničky.
<ul style="list-style-type: none"> • Horúce a vlhké počasie zvyšuje namrazovanie a kondenzáciu. Je to úplne normálne a neznamená to poruchu. • Dvere ste možno nechali pootvorené - zabezpečte sa, že ste dvere úplne zatvorili. • Dvere mohli byť často otvárané alebo ponechané po dlhý čas v pootvorenom stave - otvárajte ich menej často.
Na vonkajšej strane chladničky alebo medzi dverami sa tvorí vlhkosť.
<ul style="list-style-type: none"> • Vo vzduchu sa môže nachádzať vlhkosť - je to celkom bežné pri vlhkom počasí. Pri nižšej vlhkosti sa kondenzácia stratí.
Vo vnútri chladničky je nepríjemný zápach.
<ul style="list-style-type: none"> • Musíte vyčistiť interiér chladničky. Interiér chladničky vyčistíte špongiou, vlažnou vodou alebo perlivou vodou. • Zápach môžu spôsobovať niektoré nádoby alebo obalové materiály. Použite odlišnú nádobu alebo odlišnú značku baliaceho materiálu.
Dvere sa nezatvárajú.
<ul style="list-style-type: none"> • Obaly potravín môžu brániť zatvoreniu dverí. Odstráňte obaly, ktoré bránia v ceste dverám. • Chladnička nie je na podlahe v úplne zvislej polohe a pri miernom pohybe sa kolíše. Nastavte elevačné skrutky. • Podlaha nie je rovná alebo dostatočne pevná. Skontrolujte, či je podlaha rovná a či dokáže uniesť hmotnosť chladničky.
Špeciálne priehradky sú zaseknuté.
<ul style="list-style-type: none"> • Jedlo sa môže dotýkať vrchnej strany zásuvky. Znovu usporiadajte jedlo v zásuvke.

Prosimy najpierw przeczytać tę instrukcję obsługi!

Drodzy Klienci,

Mamy nadzieję, że nasz wyrób, wyprodukowany w nowoczesnym zakładzie i sprawdzony według najbardziej drobiazgowych procedur kontroli jakości, będzie Wam dobrze służył.

Dlatego zalecamy, aby uważnie przeczytać całą instrukcję obsługi tego wyrobu przed jego uruchomieniem i zachować ją do wglądu w przyszłości.

Instrukcja niniejsza

- Pomoże używać tego urządzenia sprawnie i bezpiecznie.
- Przeczytajcie tę instrukcję przed zainstalowaniem i uruchomieniem lodówki.
- Postępujcie zgodnie z tymi wskazówkami, zwłaszcza dotyczącymi bezpieczeństwa.
- Przechowujcie tę instrukcję w łatwo dostępnym miejscu, bo może się przydać później.
- Prosimy przeczytać także inne dokumenty dostarczone wraz z lodówką.

Instrukcja ta może odnosić się także do innych modeli.

Symbole i ich znaczenie

Niniejsza instrukcja obsługi zawiera następujące symbole:

 Ważne informacje lub przydatne wskazówki użytkownika.

 Ostrzeżenie przed zagrożeniem życia i mienia.

 Ostrzeżenie przed porażeniem elektrycznym.



UWAGA!

Aby zapewnić normalną pracę tej, wykorzystującej całkowicie przyjazny środowisku (łatwopalny tylko w pewnych warunkach) środek chłodniczy R600a, chłodziarko-zamrażarki, należy przestrzegać następujących zasad:

- Nie należy blokować swobodnego przepływu powietrza wokół chłodziarko-zamrażarki.
- W celu przyspieszenia rozmrażania nie należy używać żadnych innych urządzeń mechanicznych niż zalecane przez producenta.
- Nie wolno uszkodzić obwodu chłodniczego.
- Wewnątrz komory przechowywania żywności nie należy używać żadnych innych urządzeń elektrycznych niż ewentualnie zalecanych przez producenta.

Utylizacja



Wyrób ten nosi symbol selektywnego sortowania odpadów urządzeń elektrycznych i elektronicznych (WEEE).

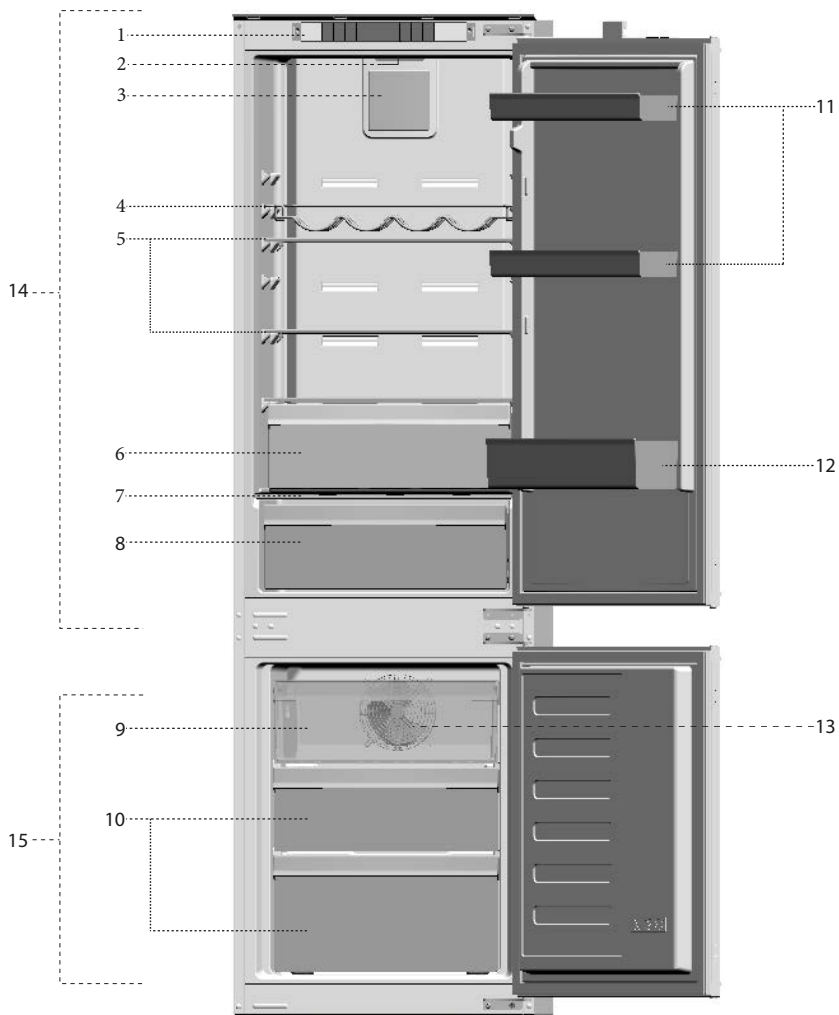
Znaczy to, że w celu zminimalizowania oddziaływania na środowisko naturalne wyrób ten należy poddać utylizacji lub rozebrać zgodnie z Dyrektywą Europejską 2002/96/WE. Blizsze informacje uzyskać można od władz lokalnych lub regionalnych.

Ze względu na zawartość substancji szkodliwych wyroby elektroniczne nie poddane procesowi selektywnego sortowania mogą być niebezpieczne dla środowiska naturalnego i zdrowia ludzi.

SPIS TREŚCI

1 Oto Wasza chłodziarka	3	4 Przygotowanie	10
2 Ważne ostrzeżenia dot. bezpieczeństwa	4	5 Korzystanie z lodówki	11
Zamierzone przeznaczenie	4	Panel sterowania	11
Ogólne zasady bezpieczeństwa.....	4	Podwójny system chłodzący.....	12
Bezpieczeństwo dzieci	6	Rozmrażanie	12
Ostrzeżenie HCA	6	Komora temperatury zero	12
Co zrobić, aby oszczędzać energię.....	6	6 Konserwacja i czyszczenie	13
3 Instalacja	7	Zabezpieczenia powierzchni plastycznych	13
W razie potrzeby ponownego transportu chłodziarki należy przestrzegać następujących wskazówek:	7	7 Zalecane rozwiązania problemów	14
Przed uruchomieniem chłodziarki	7		
Połączenia elektryczne	7		
Usuwanie opakowania.....	8		
Utylizacja starej chłodziarki	8		
Ustawienie i instalacja.....	8		
Wymiana żarówki oświetlenia wewnętrznego	8		
Przekładanie drzwi.....	9		

1 Oto Wasza chłodziarka



- | | |
|---------------------------------|--|
| 1) Panel sterowania | 9) Komora szybkiego zamrażania |
| 2) Oświetlenie wewnętrzne | 10) Komory do przechowywania żywności mrożonej |
| 3) Wentylator komory chłodzenia | 11) Ustawiane półki w drzwiach |
| 4) Półka na wino | 12) Półka na butelki |
| 5) Ruchome półki | 13) Wentylator komory zamrażania |
| 6) Komora 0°C | 14) Komora chłodziarki |
| 7) Szyba pokrywy | 15) Komora zamrażalnika |
| 8) Pojemnik na świeże warzywa | |

i Rysunki w niniejszej instrukcji to tylko schematy i nie muszą ściśle odpowiadać. Waszemu modelowi lodówki. Jeśli pewnych części nie ma w Waszej lodówce, to znaczy, że odnoszą się do innych modeli.

2 Ważne ostrzeżenia dot. bezpieczeństwa

Prosimy przeczytać następujące ostrzeżenia. Ich nieprzestrzeganie grozi obrażeniami lub uszkodzeniem mienia. W takim przypadku tracą ważność wszelkie gwarancje i zapewnienia niezawodności.

Oryginalne części zamienne będą dostępne przez 10 lat od daty zakupu produktu.

Zamierzone przeznaczenie

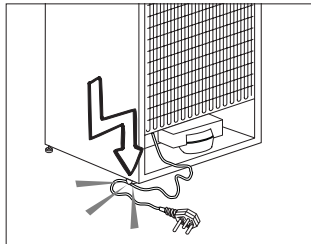
- Urządzenie można używać wyłącznie w gospodarstwie domowym oraz:
 - na zapleczu kuchennych personelu w sklepach, biurach i w innych miejscach pracy;
 - w kuchniach wiejskich i przez gości hotelowych, w motelach i innych tego rodzaju miejscach;
 - w pensjonatach serwujących nocleg ze śniadaniem;
 - cateringu i w innych tego rodzaju zastosowaniach niedetalicznych.
- Nie należy używać jej na dworze. Nie nadaje się do użytkowania na dworze, nawet w miejscach zadaszonych.

Ogólne zasady bezpieczeństwa

- Gdy zechcecie pozbyć się tego urządzenia/ złomować je, zalecamy skonsultowanie się z autoryzowanym serwisem, aby uzyskać potrzebne informacje i poznać kompetentne organa.
- Konsultujcie się z Waszym autoryzowanym serwisem w sprawach wszelkich pytań i problemów związanych z tą lodówką. Bez powiadomienia autoryzowanego serwisu nie wolno samemu ani innym osobom naprawiać chłodziarki.

- Nie jedzcie lodów ani lodu bezpośrednio po wyjęciu ich z zamrażalnika! (Może to spowodować odmrożenia w ustach).
- Nie wkładajcie do zamrażalnika napojów w puszkach ani w butelkach. Mogą wybuchnąć.
- Nie dotykajcie palcami mrożonej żywności, bo może do nich przylgnąć.
- Do czyszczenia i rozmrażania lodówki nie wolno stosować pary ani środków czyszczących w tej postaci. W takich przypadkach para może zetknąć się z częściami urządzeń elektrycznych i spowodować zwarcie albo porażenie elektryczne.
- Nie wolno używać żadnych części lodówki, takich jak drzwiczki, jako podpory ani stopnia.
- Wewnątrz lodówki nie wolno używać urządzeń elektrycznych.
- Nie wolno uszkadzać obwodu chłodzącego, w którym krąży środek chłodzący, narzędziami do wiercenia i cięcia. Środek chłodzący, który może wybuchnąć skutkiem przedziurawienia przewodów gazowych parownika, przedłużeń rur lub powłok powierzchni, może spowodować podrażnienia skóry lub obrażenia oczu.
- Nie przykrywajcie żadnym materiałem ani nie blokujcie otworów wentylacyjnych w lodówce.
- Urządzenia elektryczne naprawiać mogą tylko wykwalifikowani fachowcy. Naprawy wykonywane przez osoby niekompetentne mogą powodować zagrożenie dla użytkowników.
- W razie jakiegokolwiek awarii, a także w trakcie prac konserwacyjnych lub napraw, odłączcie lodówkę od zasilania z sieci albo wyłączając odnośny bezpiecznik, albo wyjmując wtyczkę z gniazdka.

- Wyjmując przewód zasilający z gniazdka należy ciągnąć za wtyczkę, nie za przewód.
- Napoje o wyższej zawartości alkoholu wkładajcie do lodówki w ściśle zamkniętych naczyniach i w pozycji pionowej.
- W urządzeniu nie należy przechowywać substancji wybuchowych ani pojemników z łatwopalnymi gazami płynnymi.
- W celu przyspieszenia procesu rozmrażania lodówki nie należy używać żadnych urządzeń mechanicznych ani innych środków poza zalecanymi przez jej producenta.
- Urządzenie to nie jest przeznaczone do obsługi przez osoby (w tym dzieci) z ograniczoną sprawnością fizyczną, zmysłową lub umysłową, czy bez odpowiedniego doświadczenia i umiejętności, i nie zapewni się im nadzoru lub instrukcji jego użytkowania ze strony osoby odpowiedzialnej za ich bezpieczeństwo.
- Nie uruchamiajcie lodówki, jeśli jest uszkodzona. W razie wątpliwości należy się skonsultować z serwisem.
- Bezpieczeństwo elektryczne tej lodówki gwarantuje się tylko jeśli system uziemienia Waszej instalacji domowej spełnia wymogi norm.
- Wystawianie tego urządzenia na działanie deszczu, śniegu, słońca i wiatru zagraża jego bezpieczeństwu elektrycznemu.
- W razie uszkodzenia przewodu zasilającego itp. skontaktujcie się z autoryzowanym serwisem, aby nie narażać się na zagrożenie.
- W trakcie instalowania chłodziarki nigdy nie wolno włączać wtyczki w gniazdko w ścianie. Może to zagrażać śmiercią lub poważnym urazem.
- Chłodziarka ta służy wyłącznie do przechowywania żywności. Nie należy jej używać w żadnym innym celu.
- Etykieta z danymi technicznymi chłodziarki umieszczona jest po lewej stronie w jej wnętrzu.
- Nie przyłączaj tej chłodziarki do systemu oszczędzania energii, ponieważ może to ją uszkodzić.
- **Jeśli chłodziarka wyposażona jest w niebieskie światło, nie patrz na nie poprzez przyrządy optyczne.**
- Jeśli od ręcznie nastawianej chłodziarki odłączy się zasilanie, prosimy odczekać co najmniej 5 minut, zanim ponownie się je załączy.
- Jeżeli zmieni się właściciel tej chłodziarki, niniejszą instrukcję obsługi należy przekazać wraz z nią nowemu właścicielowi.
- Przy przesuwaniu chłodziarki uważaj, żeby nie uszkodzić przewodu zasilającego. Aby zapobiec pożarowi nie wolno skręcać tego przewodu. Nie ustawiać na przewodzie żadnych ciężkich przedmiotów.
- Gdy wtyczka chłodziarki jest wsadzona do gniazdka nie wolno jej dotykać wilgotnymi dłońmi.



- Nie wsadzaj wtyczki chłodziarki do obłożonego gniazdka.
- Ze względów bezpieczeństwa nie przyskaj wodą bezpośrednio na zewnętrzne ani na wewnętrzne części chłodziarki.
- Ze względu na zagrożenie pożarem i wybuchem nie rozpylaj łatwopalnych materiałów, takich jak gaz propan itp., w pobliżu chłodziarki.
- Nie stawiaj na chłodziarce przedmiotów wypełnionych wodą, ponieważ grozi to porażeniem elektrycznym lub pożarem.

- Nie przeciążaj chłodziarki nadmierną ilością żywności. Nadmiar żywności może wypaść, gdy otwiera się drzwiczki, narażając użytkownika na obrażenia ciała lub uszkodzenie chłodziarki. Nie wolno stawiać żadnych przedmiotów na chłodziarce, ponieważ mogą spaść przy otwieraniu lub zamykaniu drzwiczek.
- W chłodziarce nie należy przechowywać żadnych materiałów, które wymagają utrzymania w pewnej temperaturze, takich jak szczepionki, lekarstwa wrażliwe na temperaturę, materiały do badań naukowych itp.
- Jeśli chłodziarka ma być nieużywana przez dłuższy czas, należy wyjąć jej wtyczkę z gniazdka. Uszkodzenie izolacji elektrycznej przewodu zasilającego może spowodować pożar.
- Czubek wtyczki elektrycznej należy regularnie czyścić, w przeciwnym razie może spowodować pożar.
- Czubki wtyczki należy regularnie czyścić suchą ściereczką, w przeciwnym razie mogą spowodować pożar.
- Jeśli nastawialne nóżki nie stoją pewnie na podłodze, chłodziarka może się przesuwać. Prawidłowa regulacja nóżek chłodziarki zapewnia jej stabilność na podłodze.
- Jeśli chłodziarka ma klamkę w drzwiach nie należy ciągnąć za nią, gdy przesuwa się chłodziarkę, ponieważ można w ten sposób odłączyć ją od chłodziarki.
- Jeśli musisz ustawić chłodziarkę obok innej chłodziarki lub zamrażarki, odległość między tymi urządzeniami musi wynosić co najmniej 8 mm. W przeciwnym razie na ich ustawionych naprzeciw siebie bocznych ścianach może skraplać się wilgoć.
- Ciśnienie wody w instalacji wodociągowej musi wynosić co najmniej 1 bar. Ciśnienie wody w instalacji wodociągowej nie może przekraczać 8 bar.
- Używaj wyłącznie wody pitnej.

Bezpieczeństwo dzieci

- Jeśli drzwiczki zamykane są na klucz, należy go chronić przez dostępem dzieci.
- Należy zapewnić opiekę dzieciom, aby nie bawiły się lodówką.

Ostrzeżenie HCA

Jeśli chłodziarka ta wyposażona jest w system chłodniczy zawierający R600a:

Gaz ten jest łatwopalny. Należy zatem uważać, aby w trakcie jego użytkowania i transportu nie uszkodzić systemu i przewodów chłodzenia. W razie uszkodzenia, należy trzymać chłodziarkę z dala od potencjalnych źródeł ognia, które mogą spowodować jej pożar i należy wietrzyć pomieszczenie, w którym jest umieszczona.

Prosimy zignorować to ostrzeżenie, jeśli chłodziarka ta wyposażona jest w system chłodniczy zawierający R134a.

Oznaczenie gazu zastosowanego w danej chłodziarce można odczytać z tabliczki znamionowej umieszczonej z lewej strony w jej wnętrzu.

Nie należy złomować chłodziarki przez jej spalanie.

Co robić, aby oszczędzać energię.

- Nie zostawiajcie drzwiczek lodówki otwartych na dłużej.
- Nie wkładajcie do lodówki gorących potraw ani napojów.
- Nie przeładujecie lodówki tak, aby przeszkadzało to w krążeniu powietrza w jej wnętrzu.
- Nie instalujcie lodówki tam, gdzie narażona będzie na bezpośrednie działanie słońca ani w pobliżu urządzeń wydzielających ciepło takich jak piecyki, zmywarki do naczyń lub grzejniki.
- Pamiętajcie, aby żywność przechowywać w zamkniętych pojemnikach.
- Po wyjęciu półki lub szuflady z komory zamrażalnika można do niego włożyć maksymalną ilość żywności. Deklarowane zużycie energii przez chłodziarkę określono przy półce lub szufladzie wyjętej z komory zamrażania i przy maksymalnym wypełnieniu żywnością. Używanie półki lub szuflady odpowiednio do kształtów i rozmiarów zamrażanej żywności jest bezpieczne.

3 Instalacja

- i** Należy pamiętać, że producent nie ponosi odpowiedzialności, jeśli są ignorowane informacje podane w niniejszej instrukcji.

W razie potrzeby ponownego transportu chłodziarki należy przestrzegać następujących wskazówek:

1. Przed transportem należy chłodziarkę opróżnić i oczyścić.
2. Przed ponownym zapakowaniem chłodziarki, półki, akcesoria, pojemnik na warzywa itp. należy przymocować taśmą klejącą zabezpieczając je przed wstrząsami.
3. Opakowanie należy obwiązać grubą taśmą i silnymi sznurkami i przestrzegać reguł transportu wydrukowanych na opakowaniu.

Prosimy pamiętać...

Wszystkie surowce wtórne stanowią niezbywalne źródło oszczędności zasobów naturalnych i krajowych. Osoby pragnące przyczynić się do wtórnego wykorzystania materiałów opakunkowych, mogą uzyskać dodatkowe informacje od instytucji ochrony środowiska lub władz lokalnych.

Przed uruchomieniem chłodziarki

Przed rozpoczęciem użytkowania chłodziarki, należy sprawdzić:

1. Czy wnętrze chłodziarki jest suche i czy powietrze może swobodnie krążyć za chłodziarką?
2. Oczyścić wnętrze chłodziarki, zgodnie z zaleceniami podanymi w rozdziale „Konserwacja i czyszczenie”.

3. Włączyć wtyczkę chłodziarki w gniazdko w ścianie. Po otwarciu drzwiczek chłodziarki zapali się światło we wnętrzu jej komory chłodzenia.
4. Po uruchomieniu sprężarki usłyszycie jej szum. Płyny i gazy zawarte w systemie chłodzenia także mogą powodować szumy, nawet jeśli nie działa sprężarka i jest to zupełnie normalne.
5. Przednie krawędzie lodówki mogą się nieco nagrzewać. Jest to całkiem normalne. Te obszary powinny się nagrzewać, co zapobiega skraplaniu się pary.

Połączenia elektryczne

Lodówkę przyłącza się do gniazdka z uziemieniem zabezpieczonego bezpiecznikiem o odpowiedniej wydajności.

Ważne:

- Przyłączenie lodówki musi być zgodne z przepisami krajowymi.
 - Po instalacji wtyczka zasilania musi być łatwo dostępna.
 - Podane tam napięcie musi być równe napięciu w Waszej sieci zasilającej.
 - Do przyłączenia nie można używać przedłużaczy, ani przewodów z wieloma wtyczkami.
- ⚠ Uszkodzony przewód zasilający musi wymienić upoważniony i wykwalifikowany elektryk.
- ⚠ Nie można ponownie uruchomić produktu przed jego naprawieniem! Grozi to porażeniem elektrycznym!

Usuwanie opakowania

Materiały opakunkowe mogą być niebezpieczne dla dzieci. Należy chronić materiały opakunkowe przed dostępem dzieci, albo usunąć je zgodnie z instrukcją odpowiednią dla odpadków ich kategorii. Nie można pozbywać się ich w taki sam sposób, jak innych odpadków domowych. Opakowanie tej chłodziarki wyprodukowano z surowców wtórnych.

Utylizacja starej chłodziarki

Starej chłodziarki należy pozbyć się tak, aby nie zaszkodzić środowisku naturalnemu.

- W sprawie złomowania lodówki możecie skonsultować się z autoryzowanym sprzedawcą lub punktem zbiorki surowców wtórnych w swojej miejscowości.

Przed złomowaniem lodówki należy odciąć wtyczkę zasilania elektrycznego, a jeśli w drzwiczkach są jakieś zamki, należy je trwale uszkodzić, aby zapobiec zagrożeniu dzieci.

Ustawienie i instalacja

⚠ Jeśli drzwiczki wejściowe do pomieszczenia, w którym ma być zainstalowana chłodziarka, są zbyt wąskie, aby chłodziarka mogła przez nie przejść, należy wezwać autoryzowany serwis, który zdejmie z niej drzwiczki i przeniesie ją bokiem przez drzwi.

1. Chłodziarkę należy zainstalować w miejscu, w którym łatwo będzie ją używać.

2. Chłodziarka musi stać z dala od źródeł ciepła, miejsc wilgotnych i bezpośrednio nasłonecznionych.

3. Aby uzyskać wydajną pracę chłodziarki, należy zapewnić odpowiednią wentylację wokół niej. Jeśli chłodziarka ma stanąć we wnęce w ścianie, należy zachować co najmniej 5 cm odstęp od sufitu i ściany. Jeśli podłoga pokryta jest wykładziną dywanową, chłodziarka musi stać 2,5 cm ponad powierzchnią podłogi.

4. Aby uniknąć wstrząsów, chłodziarkę należy ustawić na równej powierzchni podłogi.

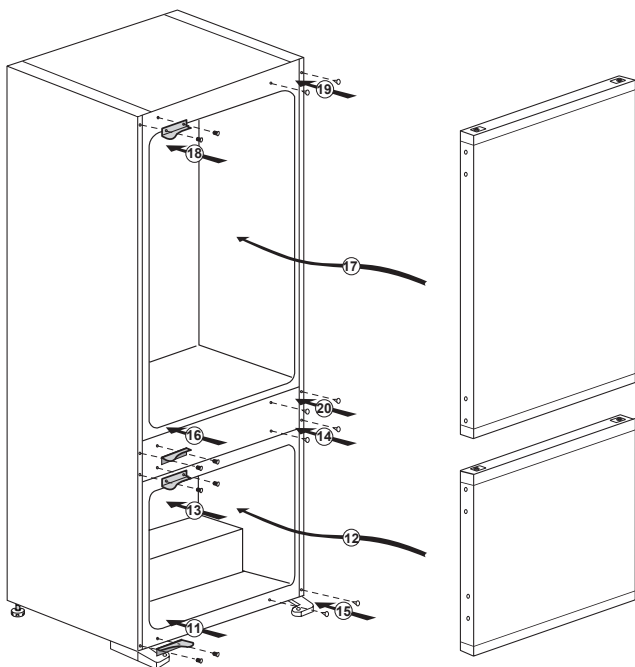
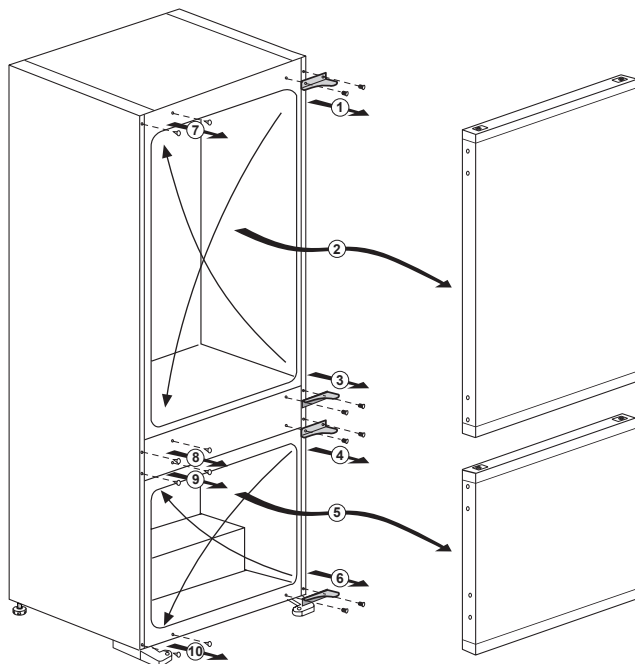
5. Temperatura w otoczeniu chłodziarki nie może spadać poniżej 10°C.

Wymiana żarówki oświetlenia wewnętrznego

Aby wymienić lampkę używaną do oświetlenia chłodziarki, prosimy wezwać autoryzowany serwis. Lampa (lampy) wykorzystywane w tym urządzeniu nie są przeznaczone do oświetlania pomieszczeń. Lampa ta ma pomagać użytkownikowi wygodnie i bezpiecznie umieszczać pożywienie w lodówce/zamrażarce. Żarówki używane w urządzeniu muszą wytrzymać ekstremalne warunki fizyczne, jak np. temperatury poniżej -20°C.

Przekładanie drzwi

Postępuj w kolejności zgodnej z numeracją.

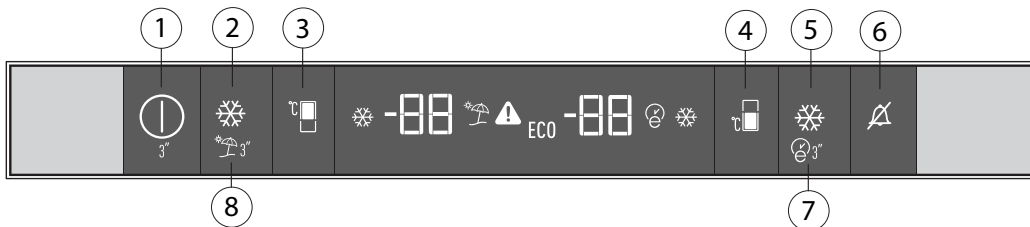


4 Przygotowanie

- i** Chłodziarkę tę należy zainstalować przynajmniej 30 cm od źródeł ciepła takich jak kuchenka, kaloryfer lub piec, i przynajmniej 5 cm od piecyka elektrycznego, a także że należy chronić ją przez bezpośrednim działaniem słońca.
- i** Temperatura otoczenia w pomieszczeniu, gdzie instaluje się chłodziarkę, powinna wynosić co najmniej 10°C. Ze względu na wydajność chłodziarki nie zaleca się użytkowania jej niższych temperaturach.
- i** Prosimy upewnić się, że wewnątrz chłodziarki zostało dokładnie oczyszczone.
- i** Jeśli zainstalowane mają być dwie chłodziarki obok siebie, należy zachować co najmniej 2 cm odstęp między nimi.
- i** Przy pierwszym uruchomieniu chłodziarki prosimy przez pierwsze sześć godzin przestrzegać następujących instrukcji.
 - Nie należy zbyt często otwierać drzwiczek.
 - Należy uruchomić ją pustą, bez żadnej żywności we wnętrzu.
 - Nie należy wyłączać wtyczki chłodziarki z gniazdka. W przypadku awarii zasilania, której nie można samemu naprawić, prosimy zastosować się do ostrzeżenia z rozdziału „Zalecane rozwiązania problemów”.
- i** Oryginalne opakowanie i elementy z pianki należy zachować do przyszłego transportu lub przeprowadzek.

5 Korzystanie z lodówki

Panel sterowania



1. Wskaźnik On/Off

Gdy chłodziarka nie pracuje, symbol (Ⓜ) świeci się. Wszystkie pozostałe symbole są wyłączone.

2. Funkcja szybkiego chłodzenia

Przycisk ma dwie funkcje. Krótkie naciśnięcie włącza lub wyłącza funkcję szybkiego chłodzenia. Wskaźnik „Quick Cool” zgaśnie i ustawienia powrócą do normalnych wartości (❄️).

Korzystaj z funkcji szybkiego chłodzenia, kiedy chcesz szybko schłodzić żywność umieszczoną w komorze chłodzenia. Jeśli schłodzona ma być znaczna ilość świeżej żywności, zaleca się uruchomienie tej funkcji przed włożeniem żywności do chłodziarki.

Jeśli nie zostanie wyłączone szybkie chłodzenie, funkcja ta wyłączy się automatycznie maksymalnie po godzinie lub gdy temperatura w komorze chłodziarki osiągnie żądaną wartość.

3. Przycisk nastawienia temperatury w komorze chłodzenia

Naciskając ten przycisk, można nastawić temperaturę w komorze chłodzenia odpowiednio na 8, 7, 6, 5, 4, 3, 2, 8 itd. stopni. Naciśnij ten przycisk, aby nastawić żądaną temperaturę w komorze chłodzenia. (🌡️)

4. Przycisk nastawienia temperatury w komorze zamrażania

Ten przycisk należy nacisnąć, aby nastawić temperaturę zamrażalnika odpowiednio na -18, -19, -20, -21, -22, -23, -24, -18... stopni. Aby nastawić żądaną temperaturę w komorze zamrażalnika, należy nacisnąć ten przycisk. (🌡️)

5. Funkcja szybkiego zamrażania

Aby włączyć lub wyłączyć funkcję szybkiego zamrażania, należy nacisnąć ten przycisk. Po włączeniu tej funkcji komora zamrażarki zostanie schłodzona do temperatury niższej niż ustawiona (❄️) wartość.

Korzystaj z funkcji szybkiego zamrażania, aby szybko zamrozić żywność umieszczoną w komorze zamrażalnika. Jeśli zamrażana ma być znaczna ilość świeżej żywności, zaleca się uruchomienie tej funkcji przed włożeniem żywności do zamrażalnika.

Jeśli nie zostanie wyłączone szybkie zamrażanie, funkcja wyłączy się automatycznie po 25 godzinach lub gdy temperatura w komorze zamrażalnika osiągnie żądaną wartość.

6. Ostrzeżenie o wyłączeniu alarmu

W przypadku alarmu awarii zasilania/ wysokiej temperatury po sprawdzeniu produktów w komorze zamrażalnika należy nacisnąć przycisk wyłączenia alarmu (🔔), aby usunąć to ostrzeżenie.

7. Eco fuzzy

Aby uruchomić funkcję Eco fuzzy, naciśnij i przez sekundę przytrzymaj przycisk Eco fuzzy. Zamrażarka zostanie uruchomiona w najbardziej oszczędnym trybie co najmniej 6 godzin później, co zostanie potwierdzone zapaleniem się wskaźnika oszczędnego użytkownika (🌱). Aby wyłączyć funkcję Eco fuzzy, naciśnij i przez 3 sekundy przytrzymaj przycisk Eco fuzzy. Ten wskaźnik zapali się po 6 godzinach, gdy włączona będzie funkcja Eco fuzzy, pod warunkiem, że drzwiczki nie są otwarte.

8. Tryb wakacyjny

Aby aktywować tryb wakacyjny, należy nacisnąć i przytrzymać ten przycisk (🏖️ 3') przez 3 sekundy, a wskaźnik trybu wakacyjnego (🏖️) zostanie aktywowany. Gdy funkcja trybu wakacyjnego jest aktywna, na wskaźniku temperatury w komorze chłodziarki wyświetla się „-” i komora ta nie jest aktywnie chłodzona. Gdy ta funkcja jest włączona, nie należy trzymać żywności w komorze chłodziarki. Inne komory będą nadal chłodzone zgodnie z odpowiednimi nastawami temperatur. Aby anulować tę funkcję, należy ponownie nacisnąć przycisk trybu wakacyjnego (Vacation).

Podwójny system chłodzący

Chłodziarka ta wyposażona jest w dwa odrębne systemy chłodzące do chłodzenia komory na żywność świeżą oraz komory zamrażalnika. A więc powietrze w komorze na żywność świeżą nie miesza się z powietrzem w zamrażalniku. Dzięki tym dwóm odrębnym systemom chłodzącym chłodzenie zachodzi szybciej niż w innych chłodziarkach. Nie mieszają się zapachy w tych komorach. Ponadto dodatkowo oszczędza się energię, ponieważ odszranianie wykonywane jest indywidualnie.

Rozmrażanie

A) Chłodziarka

Komora chłodziarki rozmraża się automatycznie. Rozmrażana woda spływa kanałem ściekowym do pojemnika zbiorczego z tyłu chłodziarki. Sprawdź, czy rura ta jest trwale umieszczona z końcem w tacy zbiorczej na sprężarce aby zapobiec rozlewaniu się wody na instalacje elektryczne i podłogę.

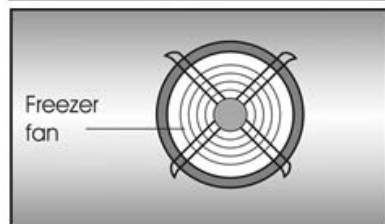
B) Zamrażarka

Rozmrażanie typu NO FROST jest całkowicie automatyczne. Nie potrzebna jest żadna interwencja z Waszej strony. Woda zbiera się w misce sprężarki. Woda ta paruje pod wpływem ciepła sprężarki.

Ostrzeżenie!

Wentylator w komorach zamrażarki i żywności świeżej obraca zimne powietrze. Nie wolno wsadzać żadnych przedmiotów przez osłonę zabezpieczającą. Nie można pozwolić, aby wentylatorem w komorach zamrażarki i żywności świeżej bawiły się dzieci. Nie wolno przechowywać produktów zawierających łatwopalny gaz aerozolowy (np. dozowników, puszek z materiałami do rozpylania, itp.) ani substancji wybuchowych. Nie wolno przykrywać półek żadnym materiałem ochronnym, który może utrudniać obieg powietrza. Nie można pozwolić, aby chłodziarką bawiły się dzieci, ani manipulowały jej pokrętłami i przyciskami. Aby uzyskać najlepsze osiągi chłodziarki, nie należy zasłaniać osłon zabezpieczających wentylator.

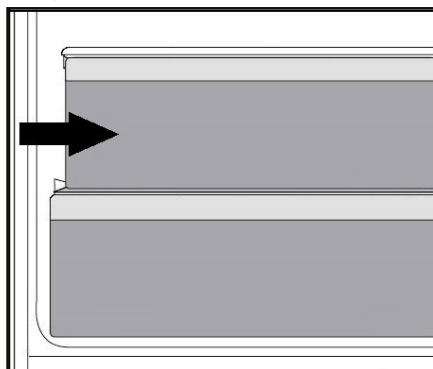
Prosimy pamiętać, aby nie blokować (zatrzymywać) ani nie hamować wentylatorów żywnością, czy opakowaniami. Blokowanie (zatrzymanie) lub hamowanie wentylatora powoduje wzrost temperatury wewnątrz zamrażalnika (rozmrzanie).



Komora temperatury zero

Komora ta służy do przechowywania mrozonek, które w razie potrzeby można rozmrażać powoli (mięso, ryby, drób, itp.), Komora niskotemperaturowa to najzimniejsze miejsce w chłodziarce, gdzie w idealnych warunkach można przechowywać nabiał (ser, masło), mięso, ryby lub drób.

W tej komorze nie należy przechowywać warzyw ani owoców.



6 Konserwacja i czyszczenie

- ⚠ Do czyszczenia chłodziarki nie wolno używać benzyny, benzenu, ani podobnych substancji.
- ⚠ Zaleca się wyłączenie wtyczki chłodziarki z gniazdka przed jej czyszczeniem.
- ⚠ Do czyszczenia nie wolno stosować żadnych szorstkich narzędzi ani mydła, domowych środków czystości, detergentów, ani wosku do polerowania.
- ℹ Umyj obudowę chłodziarki letnią wodą i wytrzyj ją do sucha.
- ℹ Wnętrze należy czyścić ściereczką zamoczoną i wyżętą w roztworze jednej łyżeczki do herbaty sody oczyszczonej w 0,5 litra wody, a następnie wytrzeć do sucha.
- ⚠ Zadbaj, aby do obudowy lampki i innych urządzeń elektrycznych nie dostała się woda.
- ⚠ Jeśli chłodziarka ma być nieużywana przez dłuższy okres czasu, należy ją wyłączyć i całkowicie opróżnić z żywności, oczyścić i pozostawić z uchylonymi drzwiczkami.
- ℹ Regularnie sprawdzać, czy uszczelki w drzwiczkach są czyste i nie osadzają się na nich cząstki żywności.
- ⚠ Aby wyjąć półki z drzwiczek, opróżnić je z zawartości, a potem po prostu nacisnąć od podstawy ku górze.
- ⚠ Do czyszczenia powierzchni zewnętrznych i chromowanych części produktu nie należy używać

ani środków czyszczących, ani wody z zawartością chloru. Chlor powoduje korozję takich powierzchni metalowych.

Zabezpieczenia powierzchni plastikowych

- ℹ Nie wkładać do chłodziarki oleju ani potraw smażonych na oleju w nieszczelnych pojemnikach, ponieważ może to uszkodzić jej plastikowe powierzchnie. W razie rozlania się lub rozsmarowania oleju na plastikowej powierzchni, od razu oczyścić i opłukać ciepłą wodą jej zabrudzoną część.

7 Zalecane rozwiązania problemów

Prosimy zapoznać się z tym wykazem przed wezwaniem serwisu. Może to oszczędzić Wasz czas i pieniądze. Wykaz ten zawiera częste kłopoty, które nie wynikają z wadliwego wykonania ani zastosowania wadliwych materiałów. Niektóre z opisanych tu funkcji mogą nie występować w tym modelu urządzenia.

Chłodziarka nie działa.

- Czy jest prawidłowo przyłączona do zasilania? Włożyć wtyczkę do gniazdka.
- Czy nie zadziałał bezpiecznik gniazdka, do którego jest przyłączona albo bezpiecznik główny? Sprawdzić bezpiecznik.

Skropliny na bocznej ścianie komory chłodzenia (MULTIZONE, COOL CONTROL oraz FLEXI ZONE).

- Bardzo niska temperatura otoczenia. Częste otwieranie i zamykanie drzwiczek. Znaczna wilgoć w otoczeniu. Przechowywanie żywności zawierającej płyny w otwartych pojemnikach. Pozostawienie uchylonych drzwiczek. Przelączyć termostat na niższą temperaturę.
- Otwierać drzwiczki na krócej albo rzadziej.
- Nakrywać żywność przechowywaną w otwartych pojemnikach odpowiednim materiałem.
- Wycierać skropliny suchą ściereczką i sprawdzać, czy nadal się utrzymują.

Sprężarka nie działa.

- Zabezpieczenie termiczne sprężarki zadziała w trakcie nagłego zaniku zasilania lub załącza się i wyłącza, ponieważ nie wyrównało się jeszcze ciśnienie w systemie chłodzącym chłodziarki. Chłodziarka zacznie działać po ok. 6 minutach. Jeśli po upływie tego czasu chłodziarka nie zacznie działać, prosimy wezwać serwis.
- Chłodziarka jest w cyklu rozmrażania. Ton normalne dla chłodziarki z całkowicie automatycznym rozmrażaniem. Cykl rozmrażania następuje okresowo.
- Chłodziarka nie jest włączona do gniazdka. Upewnij się, że wtyczka jest prawidłowo włożona do gniazdka.
- Czy temperatura jest właściwie nastawiona?
- Być może w sieci nie ma prądu.

Chłodziarka pracuje często lub przez zbyt długi czas.
<ul style="list-style-type: none"> • Nowa chłodziarka jest szersza od poprzedniej. Jest to całkiem normalne. Duże chłodziarki działają przez dłuższy czas. • Zbyt wysoka temperatura otoczenia. Jest to całkiem normalne. • Chłodziarka została niedawno załączona lub jest przeladowana żywnością. Całkowite ochłodzenie chłodziarki może potrwać o parę godzin dłużej. • Ostatnio włożono do chłodziarki znaczne ilości gorącej żywności. Gorące potrawy powodują dłuższą pracę chłodziarki zanim osiągnie temperaturę przechowywania. • Zbyt często otwierano drzwiczki lub na dłużej pozostawiano je uchylone. Ciepłe powietrze, które weszło do chłodziarki, powoduje, że działa ona dłużej. Rzadziej otwierać drzwiczki. • Pozostawiono uchylone drzwiczki komory chłodzenia lub zamrażania. Sprawdzić, czy drzwiczki są szczelnie zamknięte. • Chłodziarka jest nastawiona na bardzo niską temperaturę. Nastawić chłodziarkę na wyższą temperaturę i odczekać, aż zostanie ona osiągnięta. • Uszczelka w drzwiczkach chłodziarki lub zamrażalnika jest zabrudzona, uszkodzona, pęknięta lub nieprawidłowo włożona. Oczyszczyć lub wymienić uszczelkę. Uszkodzona/pęknięta uszczelka powoduje, że chłodziarka pracuje przez dłuższy czas, aby utrzymać bieżącą temperaturę.
Temperatura zamrażalnika jest bardzo niska, a temperatura chłodzenia jest wystarczająca.
<ul style="list-style-type: none"> • Chłodziarka jest nastawiona na bardzo niską temperaturę zamrażania. Nastawić chłodziarkę na wyższą temperaturę zamrażania i sprawdzić.
Temperatura chłodzenia jest bardzo niska, a temperatura zamrażania jest wystarczająca.
<ul style="list-style-type: none"> • Chłodziarka nastawiona jest na bardzo niską temperaturę chłodzenia. Nastawić chłodziarkę na wyższą temperaturę chłodzenia i sprawdzić.
Żywność przechowywana w szufladach komory zamraża.
<ul style="list-style-type: none"> • Chłodziarka nastawiona jest na bardzo niską temperaturę chłodzenia. Nastawić chłodziarkę na wyższą temperaturę chłodzenia i sprawdzić.
Bardzo wysoka temperatura w chłodziarce lub zamrażalniku.
<ul style="list-style-type: none"> • Chłodziarka nastawiona jest na bardzo wysoką temperaturę chłodzenia. Nastawienia chłodziarki wpływają na temperaturę w zamrażalniku. Zmienić temperaturę w chłodziarce lub zamrażalniku aż osiągnie odpowiedni poziom. • Zbyt często otwierano drzwiczki lub na dłużej pozostawiano je uchylone, należy je rzadziej otwierać. • Drzwiczki pozostawiono uchylone, należy je dokładnie zamknąć. • Ostatnio włożono do chłodziarki znaczne ilości gorącej żywności. Odczekać, aż temperatura w chłodziarce lub zamrażalniku osiągnie właściwy poziom. • Chłodziarkę załączono niedawno. Całkowite chłodzenie chłodziarki trochę potrwa.

Gdy chłodziarka pracuje, poziom hałasu wrasta.
<ul style="list-style-type: none"> • Z powodu zmian temperatury otoczenia zmieniły się charakterystyki eksploatacyjne chłodziarki. Jest to stan normalny, nie zaś awaria.
Drgania lub hałas.
<ul style="list-style-type: none"> • Nierówna lub słaba podłoga. Chłodziarka podskakuje, gdy porusza się ją powoli. Sprawdź, czy podłoga jest równa i wytrzymuje ciężar chłodziarki. • Hałas powodują rzeczy położone na chłodziarce. Należy usunąć przedmioty ustawione na chłodziarce.
Z chłodziarki dochodzą odgłosy przelewania się i syczenia płynu.
<ul style="list-style-type: none"> • Zgodnie z zasadą funkcjonowania chłodziarki następują przepływy płynu lub gazu. Jest to stan normalny, nie zaś awaria.
Odgłos jakby szumu wiatru.
<ul style="list-style-type: none"> • Do ochłodzenia chłodziarki użyto wentylatorów. Jest to stan normalny, nie zaś awaria.
Skropliny na wewnętrznych ściankach chłodziarki.
<ul style="list-style-type: none"> • Ciepła i wilgotna pogoda sprzyja oblodzeniu i skraplaniu. Jest to stan normalny, nie zaś awaria. • Drzwiczki mogą być uchylone, upewnij się, że są całkowicie zamknięte. • Zbyt często otwierano drzwiczki lub na dłużej pozostawiano je uchylone, należy je rzadziej otwierać.
Na zewnątrz chłodziarki, lub pomiędzy drzwiczkami pojawia się wilgoć.
<ul style="list-style-type: none"> • Być może w powietrzu jest wilgoć; to całkiem normalne przy wilgotnej pogodzie. Gdy wilgoć w powietrzu ustąpi, skropliny znikną.
Nieprzyjemna woń wewnątrz chłodziarki.
<ul style="list-style-type: none"> • Trzeba oczyścić wnętrze chłodziarki. Oczyść wnętrze chłodziarki gąbką namoczoną w ciepłej lub gazowanej wodzie. • Woń powodują jakieś pojemniki lub materiały opakowaniowe. Używać innych pojemników lub materiałów opakowaniowych innej marki.
Drzwiczki są niezamknięte.
<ul style="list-style-type: none"> • W zamknięciu drzwiczek przeszkadzają paczki z żywnością. Przełożyć paczki przeszkadzające zamknięciu drzwiczek. • Chłodziarka nie stoi całkiem pionowo na podłodze i kiwa się przy lekkim poruszeniu. Wyregulować wysokość nóżek. • Podłoga nie jest równa lub dość wytrzymała. Sprawdzić, czy podłoga jest równa i wytrzymuje ciężar chłodziarki.
Szuflady do przechowywania świeżych warzyw się zatarły.
<ul style="list-style-type: none"> • Żywność dotyka sufitu szuflady. Zmienić ułożenie żywności w szufladzie.

Importer:

Beko S.A.

ul. Puławska 366

02-819 Warszawa

www.beko.pl

Wyprodukowano w Rumunii

Будь ласка, спочатку прочитайте цю інструкцію!

Шановний покупець!

Сподіваємося, що цей товар, виготовлений на сучасних підприємствах і перевірений за допомогою найприскіпливіших процедур контролю, ефективно слугуватиме вам у побуті.

Для цього рекомендуємо вам прочитати всю інструкцію до кінця, перш ніж користуватися холодильником, і зберегти її для майбутнього використання у довідкових цілях.

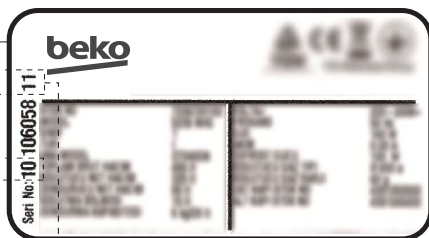
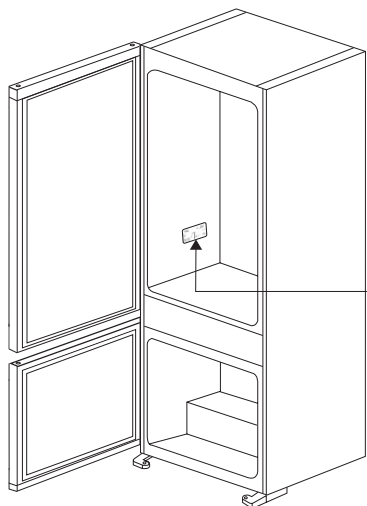
Ця інструкція

- допоможе вам користуватися приладом у швидкий і безпечний спосіб;
 - прочитайте інструкцію, перш ніж встановлювати холодильник і користуватися ним;
 - дотримуйтесь інструкцій, особливо з питань техніки безпеки;
 - зберігайте інструкцію в легкодоступному місці, оскільки вона може знадобитися вам пізніше;
 - крім того, прочитайте також інші документи, що надаються разом із холодильником.
- Зверніть увагу, що ця інструкція може бути дійсною для інших моделей.

Символи та їхній опис

Ця інструкція містить наступні символи:

- ⓘ Важлива інформація або корисні поради з користування.
- ⚠ Попередження про небезпечні ситуації для життя та майна.
- ⚡ Попередження про електричну напругу.



Seri No: 10-106058-11

2010-11-XX

YYYY-MM-DD

Виробник: 'S.C. Arctic S.A.',
Gaesti, str.13 Desembrer №210,
Romania (Румунія)

Офіційний представник на території
України: ТОВ «Беко Україна», адреса:
01021, м. Київ, вул. Кловський узвіз,
буд. 5 тел/факс.: 0-800-500-4-3-2

Термін служби 10 років

Дата виробництва міститься в серійному номері продукту, що вказаний на етикетці, розташованій на продукті, а саме, перші дві цифри серійного номера позначають рік виробництва, а останні дві - місяць. Наприклад, «10-100001-05» означає, що продукт виготовлений в травні 2010 року. Інформацію про сертифікацію продукту Ви можете уточнити, зателефонувавши на гарячу лінію 0-800-500-4-3-2.

1 Холодильник	3	4 Підготовка	10
2 Важливі вказівки з техніки безпеки	4	5 Використання холодильника	11
Призначення	4	Панель управління.....	11
Загальні правила техніки безпеки.....	4	Подвійна система охолодження.....	12
Для пристроїв із розподільником води:	6	Розморожування.....	12
Безпека дітей	6	Відділення нульової температури...	12
Попередження НСА	6	6 Догляд та очищення	13
Як заощадити електроенергію	6	Захист пластикових поверхонь.....	13
3 Установка	7	7 Рекомендації з усунення несправностей	14
Що слід враховувати при транспортуванні приладу	7		
Перед увімкненням холодильника...	7		
Підключення до електромережі.....	7		
Утилізація упаковки	8		
Утилізація вашого старого холодильника	8		
Розміщення та Установка	8		
Заміна лампи внутрішнього освітлення	8		
Перенавішування дверцят	9		

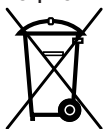


УВАГА!

Для того, щоб забезпечити нормальну роботу Вашого холодильника, в якому використовується охолоджуючий реагент R600a, абсолютно нешкідливий для навколишнього середовища (займається лише за певних умов), Вам Необхідно дотримуватися наступних правил.

- Не створюйте перепон для вільної циркуляції повітря навколо холодильника.
- Не користуйтеся жодними механічними пристроями та інструментами для видалення льоду під час розморожування холодильника, окрім тих, що рекомендовані виробником.
- Не допускайте пошкодження охолоджуючого контура.
- Не встановлюйте всередину холодильного відділення, де зберігаються продукти, жодних електричних пристроїв, окрім тих, що рекомендовані виробником.

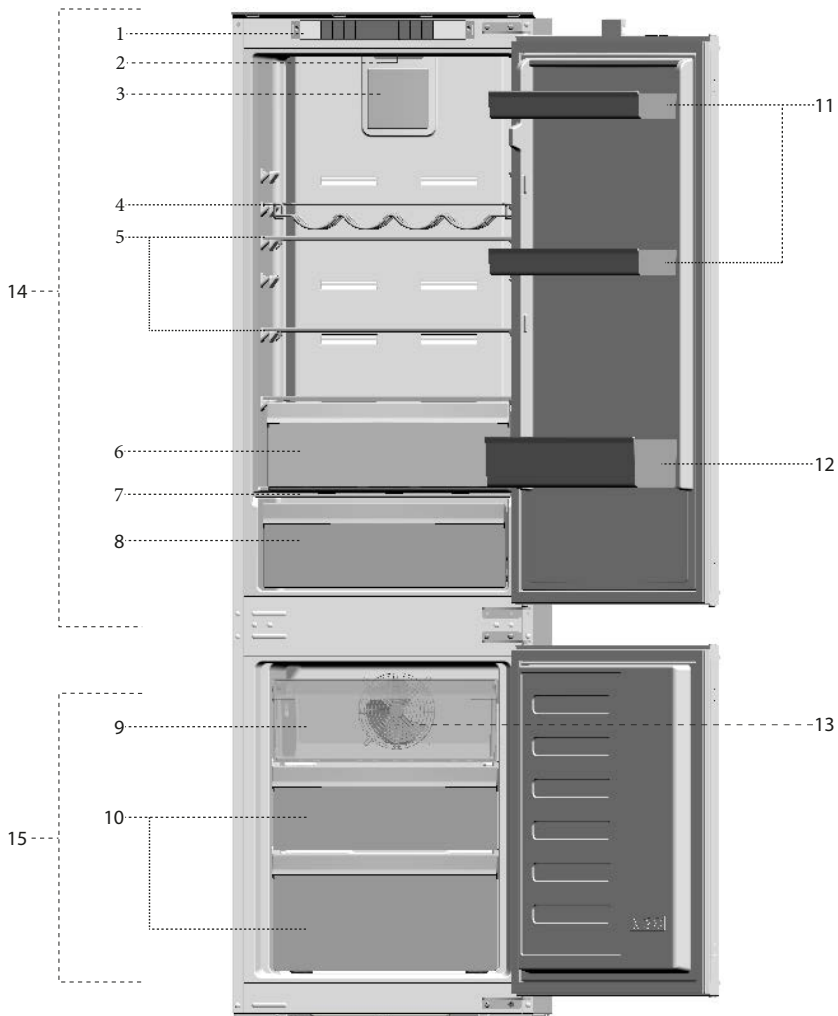
Рециклінг



Цей виріб позначений символом роздільного сортування для електричного та електронного обладнання (WEEE). Це означає, що з даним виробом слід чинити відповідно до Директиви Європейського Союзу 2002/96/ЕС, щоб знизити негативний вплив на навколишнє середовище при його переробці чи розбиранні. Для отримання докладнішої інформації зверніться до місцевих чи регіональних органів влади.

Електронні вироби, які не включено у цей процес роздільного сортування, через вміст шкідливих компонентів є потенційною загрозою для довкілля та здоров'я людей.

1 Холодильник



- | | |
|----------------------------|---|
| 1. Панель управління | 9. Відділення для швидкого заморожування |
| 2. Внутрішнє освітлення | 10. Відділення для зберігання заморожених продуктів |
| 3. Свіжий вентилятор їжі | 11. Регульовані полиці дверей |
| 4. Винна стійка | 12. Полиця для пляшок |
| 5. Рухливі полиці | 13. Вентилятор морозильного |
| 6. 0 ° C відсік | 14. Холодильне відділення |
| 7. Кришка ящика для овочів | 15. Морозильника |
| 8. Ящика для овочів | |

i Ілюстрації в даній інструкції є схематичними і можуть відрізнятися від вашої моделі. Якщо до комплектації моделі, яку ви придбали, не входять згадані деталі, вони призначені для інших моделей.

2 Важливі вказівки з техніки безпеки

Ознайомтеся з наведеною нижче інформацією. Ігнорування цієї інформації може призвести до травмування чи пошкодження пристрою. В такому разі гарантія і будь-які зобов'язання виробника стосовно надійної роботи пристрою будуть анульовані.

Оригінальні запасні частини будуть постачатися протягом 10 років з моменту придбання виробу.

Призначення

Цей пристрій призначено для використання:

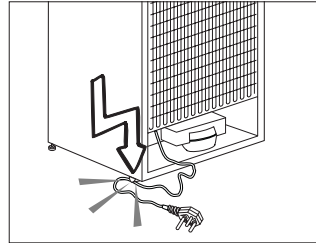
- у закритих приміщеннях, таких як житлові будинки;
- у закритих робочих приміщеннях, наприклад, у магазинах чи офісах;
- у закритих жилих приміщеннях, наприклад, у заміських будинках, готелях, пансіонатах.
- Його не можна використовувати поза приміщенням.

Загальні правила техніки безпеки

- Якщо ви бажаєте утилізувати/ ліквідувати пристрій, рекомендуємо звернутися до авторизованої сервісної служби та компетентних органів для отримання необхідної інформації.
- З усіма питаннями та проблемами стосовно холодильника звертайтеся до уповноваженої сервісної служби. Без повідомлення уповноваженої сервісної служби не втручайтеся в роботу холодильника й не дозволяйте робити це іншим.
- Для пристроїв з морозильним відділенням: не їжте морозиво та кубики льоду одразу після виймання їх з морозильного відділення! (Це може викликати отмороження ротової порожнини.)

- Для приладів з морозильним відділенням: не ставте рідкі напої у пляшках чи банках до морозильного відділення. Вони можуть лопнути.
- Не торкайтеся руками заморожених продуктів; вони можуть примерзнути до шкіри.
- Перед чисткою чи розморожуванням від'єднуйте холодильник від електромережі.
- Не використовуйте пару та засоби для чищення, які можуть випаруватися, для чищення та розморожування вашого холодильника. У такому випадку пара може скотактувати з електричними частинами та викликати коротке замикання чи удар електричним струмом "to" Не використовуйте пару та засоби для чищення, які можуть випаруватися, для чищення та розморожування вашого холодильника. У такому випадку пара може скотактувати з електричними частинами та викликати коротке замикання чи удар електричним струмом.
- Не використовуйте такі частини холодильника, як дверцята, як підставку чи опору.
- Не використовуйте електричні прилади всередині холодильника.
- Не допускайте пошкодження частин, у яких циркулює хладагент, ріжучими чи свердловальними інструментами. Хладагент може з'явитися із випаровувача, на трубопроводі чи на покриттях і викликати подразнення шкіри чи ураження очей.
- Не закривайте вентиляційні отвори вашого холодильника.
- Ремонт електроприладів мають виконувати тільки кваліфіковані фахівці. Ремонт, виконаний недосвідченими особами, може спричинити ризик для користувача.
- У випадку несправностей під час експлуатації чи ремонту вимкніть холодильник, вимкнувши запобіжник чи вийнявши з розетки шнур живлення.

- При від'єднанні від мережі не тягніть за кабелів – тільки за штепсель.
- Міцні напої треба зберігати щільно закритими у вертикальному положенні.
- Суворо заборонено зберігати в холодильнику пляшки з горючими чи вибухонебезпечними речовинами.
- Не застосовуйте механічні пристрої або інші засоби для прискорення розмороження, крім рекомендованих виробником.
- Цей електроприлад не призначений для використання особами (включаючи дітей) зі знизеними фізичними, чутливими або розумовими можливостями або з браком досвіду і знань, якщо вони не перебувають під наглядом або не пройшли інструктаж щодо користування пристроєм від відповідальної за їхню безпеку особи.
- Не використовуйте несправний холодильник. При виникненні запитань звертайтеся до кваліфікованого фахівця.
- Електрична безпека може гарантуватися лише в тому випадку, якщо система заземлення у вашому будинку відповідає стандартам.
- Вплив на пристрій дощу, снігу, сонця чи вітру небезпечний з точки зору електробезпеки.
- Зверніться до сервісної служби, якщо пошкоджено шнур живлення, щоб це не створило небезпеку для вас.
- Не вмикайте холодильник в розетку під час його встановлення. Ризик смертельного випадку чи серйозних ушкоджень дуже високий.
- Цей холодильник призначений лише для зберігання харчових продуктів. Його не слід використовувати з будь-якою іншою метою.
- Таблиця з описом технічних специфікацій виробу розташована зліва на внутрішній стінці холодильника.
- Не підключайте холодильник до електронних систем енергозбереження, оскільки це може призвести до несправності виробу.
- **Якщо у холодильнику є блакитне освітлення, не дивіться на нього крізь оптичні прилади.**
- У разі відключення холодильників із ручним управлінням від мережі електроживлення зачекайте щонайменше 5 хвилин, перш ніж підключати живлення.
- У випадку продажу виробу цю інструкцію з експлуатації слід передати новому господарю.
- Під'єднуючи холодильник до електромережі, не торкайтеся до штепсельної вилки мокрими руками" to "Під'єднавши холодильник до електромережі, не торкайтеся до штепсельної вилки вологими руками.



- Не підключайте холодильник до погано закріпленої стінної розетки мережі електропостачання.
- Із міркувань безпеки не допускайте потрапляння води безпосередньо на зовнішні або внутрішні частини холодильника.
- Не розбризкуйте поряд із холодильником займисті матеріали, такі як газ пропан, через ризик пожежі та вибуху.
- Не ставте посудини з водою на холодильник, оскільки це може призвести до ураження електричним струмом або пожежі.
- Не перевантажуйте холодильник надмірною кількістю продуктів. Якщо холодильник перевантажено, продукти можуть випасти при відчиненні дверцят і травмувати вас чи пошкодити холодильник. Не кладіть предмети на холодильник, оскільки вони можуть впасти під час відчинення чи зачинення дверцят.
- У холодильнику не можна зберігати речовини, що вимагають певних температурних умов (вакцини, термочутливі медикаменти, наукові матеріали тощо).

- Холодильник слід від'єднати від електромережі, якщо він не буде використовуватися протягом тривалого часу. Можливі несправності шнура живлення можуть призвести до пожежі.
- Необхідно регулярно очищати кінці вилки шнура живлення; недотримання цієї вимоги може стати причиною пожежі.
- Необхідно регулярно очищати кінці вилки шнура живлення сухою тканиною; недотримання цієї вимоги може стати причиною пожежі.
- Холодильник може переміщатися, якщо регульовані ніжки не зафіксовано на підлозі. Фіксація регульованих ніжок на підлозі може запобігти його переміщенню.
- При переміщенні холодильника не тримайте його за ручку, бо вона може зламатися.
- При встановленні холодильника відстань між ним й іншим холодильником чи морозильником має становити щонайменше 8 см. В іншому разі бічні стінки, що прилягають, зволожуватимуться.

Для пристроїв із розподільником води:

Тиск у водогінній лінії не має бути нижчим за 1 бар. Тиск у водогінній лінії не повинен перевищувати 8 бар.

- Використовуйте лише питну воду.

Безпека дітей

- Якщо на дверцятах є замок, тримайте ключ у місці, недосяжному для дітей.
- Слід наглядати за дітьми та не дозволяти їм псувати пристрій.

Попередження НСА
Якщо система охолодження вашого пристрою містить R600a:
 Цей газ горючий. Тому будьте уважні, не допускайте пошкодження системи охолодження та труб під час використання і транспортування.

У випадку пошкодження пристрою зберігайте його подалі від потенційного джерела займання та провітрюйте приміщення, в якому знаходиться прилад.

Не звертайте уваги на попередження, якщо система охолодження вашого пристрою містить R134a.

Тип газу, що використовується у приладі, наведений у паспортній таблиці, розташованій зліва на внутрішній стінці холодильника.

Як заощадити електроенергію

- Не тримайте двері холодильника відчиненими тривалий час.
- Не закладайте до холодильника гарячі продукти чи напої.
- Не зберігайте у холодильнику гарячі напої чи продукти.
- Не встановлюйте холодильник під прямим сонячним промінням чи поблизу джерела тепла, наприклад, плити, посудомийної машини чи радіатора опалення.
- Слідкуйте за тим, щоб продукти зберігалися у закритих контейнерах.
- Для холодильників із морозильним відділенням: у морозильному відділенні холодильника можна зберігати максимальну кількість продуктів, якщо дістати з нього полиці чи скрині. Наведене в технічних характеристиках енергоспоживання холодильника визначено за умови, що полиці чи скрині морозильного відділення вийняті, й у нього завантажена максимально можлива кількість продуктів. Полицю чи скриню можна використовувати відповідно до форми й розміру продуктів для заморожування.
- Розморожування заморожених продуктів у холодильному відділенні забезпечить економію електроенергії та збереження якості продуктів.

3 Установка

⚠ Будь ласка, пам'ятайте, що виробник не нестиме відповідальність, якщо не дотримано порад, наведених в інструкції з користування.

Що слід враховувати при транспортуванні приладу

1. Перед будь-яким транспортуванням холодильник має бути спорожнений і вимитий.
2. Перед упакуванням холодильника всі полиці, приналежності, контейнери для фруктів та овочів тощо у вашому холодильнику слід міцно закріпити скотчем для запобігання струсам.
3. Упаковувати холодильник слід за допомогою товстих стрічок і міцних мотузок, а також дотримуватися правил транспортування, надрукованих на упаковці.

Упевніться в тому, що всередині холодильника старанно вимитий. Повторне використання матеріалів надзвичайно важливе для природи та наших національних ресурсів. Якщо ви бажаєте посприяти повторному використанню матеріалів упаковки, ви можете отримати більше інформації від органів охорони довкілля або від органів місцевої влади.

Перед увімкненням холодильника

Перш ніж розпочати експлуатацію холодильника, перевірте дотримання таких умов:

1. Усередині холодильника сухо, ніщо не заважає вільній циркуляції повітря позаду приладу.
2. Вимийте внутрішню частину холодильника, як рекомендовано у розділі "Обслуговування й чищення".
3. Під'єднайте холодильник до розетки електромережі. При відчиненні дверцят холодильника вмикається внутрішнє освітлення холодильного відділення.
4. Ви почуєте шум, оскільки компресор почне працювати. Рідина та газу всередині холодильної системи також можуть створювати шум, навіть якщо компресор не працює, що є цілком нормальним явищем.
5. Передні кромки холодильника можуть бути теплими на дотик. Це нормально. Ці області мають нагріватися, щоб уникнути конденсації.

Підключення до електромережі

Підключіть холодильник до заземленої розетки, захищеної плавким запобіжником відповідної потужності.

Важливо!

- Підключення має відповідати національним нормам і правилам.
- Після встановлення холодильника має бути забезпечений легкий доступ до штепселя шнура живлення.
- Указана напруга має відповідати напрузі вашої електромережі.
- Для підключення не слід використовувати подовжувачі та штепсельні колодки на декілька гнізд.

⚠ У разі пошкодження шнура живлення його заміну має здійснювати кваліфікований електрик.

⚠ Забороняється користуватися холодильником, доки його не буде відремонтовано! Існує небезпека ураження електричним струмом!

Утилізація упаковки

Пакувальні матеріали можуть становити небезпеку для дітей. Зберігайте пакувальні матеріали у недоступному для дітей місці, або утилізуйте їх, розсортувавши відповідно до інструкцій з утилізації відходів. Не утилізуйте їх разом із звичайними побутовими відходами. Упаковка вашого холодильника вироблена з матеріалів, що можуть бути використані повторно.

Утилізація вашого старого холодильника

Утилізуйте старий холодильник, не завдаючи шкоди довкіллю.

- З питань щодо утилізації холодильника ви можете звернутися до пункту збору відходів вашого населеного пункту.

Перед утилізацією холодильника відріжте штепсель електрошнура, а також виведіть з ладу замки (якщо такі існують) дверцят, щоб захистити дітей від небезпеки зачинення всередині.

Розміщення та Установка

⚠ Якщо двері приміщення, в якому буде встановлено холодильник, недостатньо широкі, зверніться до сервісної служби; її співробітники допоможуть зняти двері з холодильника та пронести його боком.

1. Встановлюйте холодильник у місці, зручному для його використання.

2. Холодильник має знаходитися в місці, віддаленому від джерела тепла, підвищеної вологості та прямих сонячних променів.

3. Для ефективнішої роботи необхідно забезпечити гарну вентиляцію навколо холодильника. Якщо холодильник встановлюється в ніші стіни, мінімальна відстань має бути 5 см до стелі та 5 см до стіни. Якщо на підлозі лежить килим, треба підняти холодильник на 2,5 см над рівнем підлоги.

4. Холодильник має стояти на рівній поверхні, щоб не виникало трясіння.

5. Температура приміщення, в якому знаходиться холодильник, не має бути менше за 10°C.

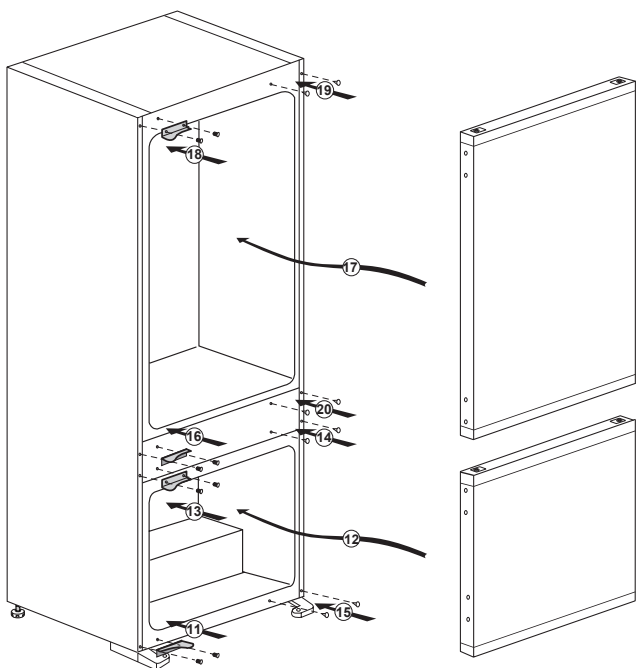
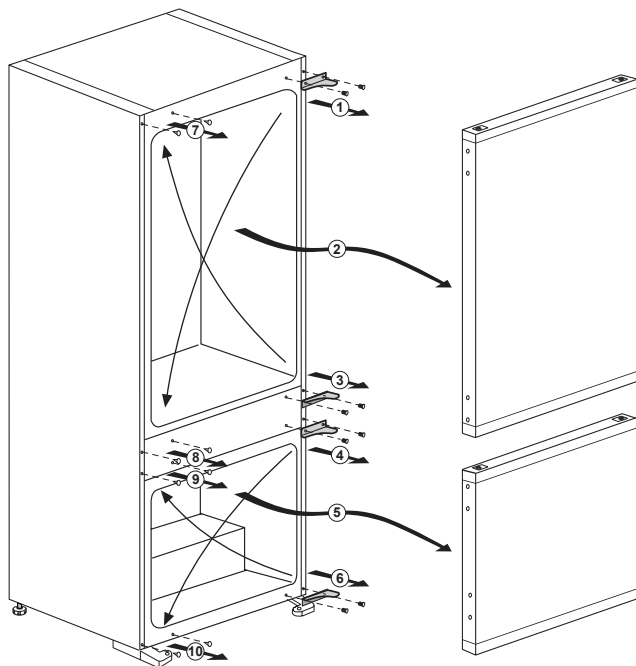
Заміна лампи внутрішнього освітлення

Для заміни лампи освітлення холодильника зверніться до авторизованого сервісного центру.

Ламп(и) з цього пристрою не призначена(і) для освітлення кімнати. Призначення цієї лампи - полегшити розташування продуктів у холодильнику / морозильнику безпечним та зручним чином. Лампи, що використовуються у цьому пристрої, повинні витримувати важкі умови експлуатації, такі як температура нижче -20°C.

Перенавішування дверцят

Виконуйте у числовому порядку.

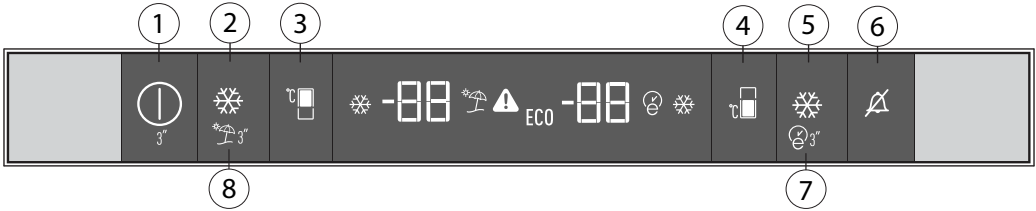


4 Підготовка

- Холодильник слід встановити на відстані щонайменше 30 см від джерел тепла, таких як жарівниці, плити, батареї центрального опалення й печі, а також не ближче 5 см від електричних духових шаф, у місцях, куди не духових шаф пічопряме сонячне світло.
- Температура повітря в приміщенні, де встановлюється холодильник, має бути не менше 10°C. Використовувати холодильник в умовах нижчої температури не рекомендується з міркувань його низької ефективності.
- Упевніться в тому, що всередині холодильник старанно вимитий.
- Якщо два холодильники встановлюються поряд, між ними має бути відстань не менше 2 см.
- При першому увімкненні холодильника, протягом перших шести годин роботи дотримуйтеся наступних інструкцій.
- Не відчиняйте часто дверцята.
- Холодильник мусить працювати порожнім, без продуктів усередині.
- Не відключайте холодильник від електромережі. Якщо сталося порушення електропостачання, див. застереження у розділі "Рекомендації з вирішення проблем".
- Оригінальну упаковку та плівку слід зберегти для транспортування або переміщення холодильника в майбутньому.

5 Використання холодильника

Панель управління



1. Кнопка режиму включення / вимкнення льоду

Якщо холодильник вимкнено, (1) світиться символ. Усі інші символи вимкнено.

2. Режим швидкого охолодження

Ця кнопка має дві функції. При короткочасному натисканні цієї кнопки вмикається або вимикається режим швидкого охолодження. Індикатор швидкого охолодження згасне, а прилад повернеться до звичайних налаштувань. (❄️)

Функція швидкого охолодження використовується для того, щоб швидко охолодити продукти, покладені в холодильне відділення. Якщо потрібно охолодити велику кількість свіжих продуктів, увімкніть цей режим, перш ніж покласти продукти в прилад. Якщо не скасувати функцію швидкого охолодження вручну, вона вимкнеться автоматично не більше ніж через 1 годину, або коли в холодильному відділенні буде досягнуто потрібної температури.

3. Кнопка регулювання температури холодильного відділення

Натисніть цю кнопку, щоб встановити у холодильному відділенні температуру: 8, 7, 6, 5, 4, 3, 2, 8... відповідно. Для встановлення потрібної температури в холодильному відділенні послідовно натискайте цю кнопку. (°C)

4. Кнопка налаштування температури морозильного відділення

Натисніть цю кнопку, щоб встановити в морозильному відділенні температуру -18, -19, -20, -21, -22, -23, -24, -18... відповідно. Для встановлення потрібної температури в морозильному відділенні послідовно натискайте цю кнопку. (❄️)

5. Кнопка функції швидкої заморозки

При короткочасному натисканні цієї кнопки вмикається й вимикається режим швидкого заморожування. Після вмикання цього режиму морозильне відділення буде охолоджено до температури, нижчої за встановлене значення. (❄️)

Функція швидкого заморожування використовується для того, щоб швидко заморозити продукти, покладені в морозильне відділення. Якщо потрібно заморозити велику кількість свіжих продуктів, увімкніть цей режим, перш ніж покласти продукти в прилад.

Якщо не скасувати функцію швидкого заморожування вручну, вона вимкнеться автоматично не більше ніж через 25 години, або коли в холодильному відділенні буде досягнуто потрібної температури.

6. Попередження про вимкнення сигналу

У разі збою живлення/сигналу високої температури, після перевірки їжі, розташованої в морозильній камері, натисніть тривожну кнопку виключення, (⚠️) щоб стерти попередження.

7. Функція Eco fuzzy

Після натискання й утримання кнопки Eco fuzzy протягом 1 секунди активується функція Eco fuzzy. Щонайменше через 6 годин після увімкнення цієї функції морозильне відділення перейде в найбільш заощадливий режим. Про це свідчатиме індикатор економічного використання оп (🌱). Натисніть й утримуйте кнопку Eco fuzzy протягом 3 секунд, щоб вимкнути функцію Eco fuzzy. Цей індикатор засвітиться через 6 годин після активації функції «Eco Fuzzy», якщо двері не зачинені.

8. Режим тимчасового вимкнення

Для того, щоб активувати режим тимчасового вимкнення, натисніть і утримуйте кнопку (🌱) протягом 3 секунд, після чого буде активований індикатор відповідного режиму (🌱). Під час дії цієї функції на індикаторі температури холодильного відділення відображаються символи «-», й активне охолодження в холодильному відділенні не відбувається. Під час дії цієї функції не слід зберігати продукти в холодильному відділенні. В інших відділеннях підтримується охолодження згідно встановлених температур. Для скасування цієї функції натисніть кнопку функції тимчасового вимкнення ще раз.

Подвійна система охолодження

Холодильник оснащений двома окремими системами охолодження - для відділення свіжих продуктів і морозильного відділення. Таким чином повітря з відділення для свіжих продуктів не змішується з повітрям у морозильному відділенні. Завдяки використанню двох окремих систем охолодження швидкість охолодження в цьому холодильнику набагато вища, ніж в інших холодильниках. Запахи у відділеннях не змішуються. Крім того, забезпечується економія електроенергії, оскільки розморожування відбувається окремо.

Розморожування

А) Холодильне відділення

Холодильне відділення розморожується автоматично. Тала вода проходить через дренажну трубку до збірного контейнера на задній стінці приладу. Забезпечте, щоб кінець трубки завжди був спрямований до збірного лотка на компресорі, аби запобігти проливанню води на електричне обладнання або підлогу.

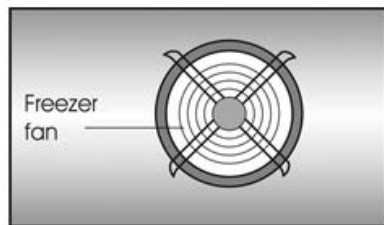
Б) Морозильне відділення

Розморожування типу NO FROST є повністю автоматичним. Воно не потребує жодного втручання з вашого боку. Вода збирається у лоток на компресорі. Завдяки теплу від компресора вода випаровується.

Попередження!

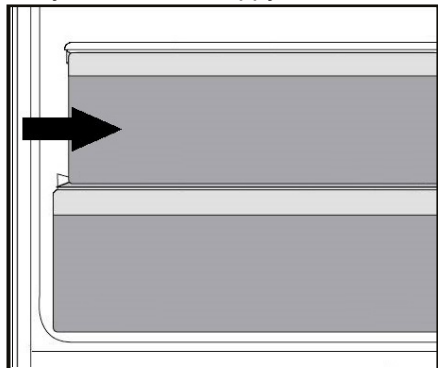
Вентилятори в морозильному відділенні та у відділенні для зберігання свіжих продуктів забезпечують циркуляцію холодного повітря. Ні в якому разі не вставляйте в решітку сторонні предмети. Не дозволяйте дітям гратися з вентиляторами в морозильному відділенні та у відділенні для зберігання свіжих продуктів. Ніколи не зберігайте в холодильнику контейнери, які вміщують легкозаймистий стиснений газ (наприклад, вершки в аерозольній упаковці, аерозольні балончики тощо), чи вибухові речовини. Не слід накривати полиці будь-якими захисними матеріалами, які можуть перешкоджати циркуляції повітря. Не дозволяйте дітям гратися з приладом або псувати елементи управління.

Не затуляйте решітку вентилятора, щоб забезпечити якнайкращу продуктивність роботи холодильника. Забезпечте, щоб вентилятори не було заблоковано (зупинено) чи закрито продуктами або упаковкою. Блокування (зупинка) чи перешкоджання роботі вентилятора може призвести до підвищення температури морозильного відділення (до замерзання).



Відділення нульової температури

Це відділення призначене для повільного відтанення заморожених продуктів (м'яса, риби, курятини та ін.) у разі необхідності. Відділення нульової температури – це найхолодніше місце з ідеальними умовами для зберігання молочних продуктів (сиру, масла), м'яса, риби або курятини; не розміщуйте в ньому овочі та/або фрукти.



6 Догляд та очищення

- ⚠ Не використовуйте бензин чи подібні матеріали для чищення.
- ⚠ Перед виконанням чищення рекомендуємо від'єднати холодильник від електромережі.
- ⓘ Заборонено використовувати для чистки гострі абразивні засоби, мило, засоби для видалення плям, м'які засоби та поліролі на основі воску.
- ⓘ Промийте шафу холодильника ледь теплою водою та витріть насухо.
- ⓘ Для мийки відділень усередині холодильника користуйтеся ганчіркою, змоченою у розчині, який складається з чайної ложки питної соди на півлітра води, потім витріть їх насухо.
- ⚠ Слідкуйте, щоб вода не потрапила до корпусу лампочки та в інші електричні прилади.
- ⚠ Якщо прилад не буде використовуватися протягом тривалого часу, вимкніть його з електромережі, звільніть від усіх продуктів, протріть і залишіть дверцята відчиненими.
- ⓘ Регулярно перевіряйте, чи не забруднений шматочками їжі ущільнювач на дверях.
- ⓘ Для знімання лотка у дверях розвантажте його, а потім просто підштовхніть угору.

- ⓘ У жодному разі не використовуйте засоби для чищення чи воду, що містять хлор, для чищення зовнішніх поверхонь або хромованих деталей виробу. Хлор викликає корозію таких металевих поверхонь.

Захист пластикових поверхонь

- ⓘ Не зберігайте рідкі олії чи продукти з додаванням олії в холодильник у відкритому вигляді чи негерметичній упаковці, вони можуть зіпсувати пластикові поверхні холодильника. У разі потрапляння олії на пластикову поверхню очистіть цю частину поверхні теплою водою.

7 Рекомендації з усунення несправностей

Перед тим як звертатися до авторизованої сервісної служби, ознайомтеся з наведеною інформацією. Це допоможе вам заощадити гроші й час. Наведений нижче перелік містить найчастіші несправності, не викликані зіпсованим обладнанням чи матеріалом. Деякі з функцій, що наведені тут, можуть бути відсутні у вашому виробі.

Холодильник не працює.

- Чи під'єднаний холодильник до мережі правильним чином? Вставте штепсель до настінної розетки.
- Чи справна запобіжна пробка, до якої підключено холодильник, чи не перегорів запобіжник? Перевірте запобіжник.

Конденсація на бічній стінці холодильного відділення (MULTI ZONE, COOL CONTROL і FLEXI ZONE).

- Дуже низька температура навколишнього середовища. Дверцята холодильника часто відчиняють і зачиняють. Висока вологість навколишнього середовища. Зберігання продуктів, які містять рідину, у відкритих контейнерах. Нещільно зачинені дверцята. Перемикніть термостат на нижчу температуру.
- Не тримайте дверцята відчиненими або відчиняйте їх рідше.
- Накривайте продукти, які зберігаються у відкритих контейнерах, відповідним матеріалом.
- Витріть конденсат сухою тканиною та перевірте, чи з'являється він знову.

Компресор не працює.

- Термозахист компресора може бути пошкоджений в результаті несподіваного збою енергопостачання чи увімкнення-вимкнення, оскільки тиск хладагенту в системі охолодження не встиг збалансуватися. Холодильник почне працювати орієнтовно через 6 хвилин. Якщо після закінчення цього періоду холодильник не запрацює, зверніться до сервісної служби.
- Холодильник перебуває у стані розморожування. Для холодильника, що розморожується автоматично, це цілком нормально. Розморожування відбувається періодично.
- Холодильник не під'єднано до мережі. Переконайтеся, що вилка належним чином вставлена в розетку.
- Чи правильно відрегульовано температуру?
- Можливо, відключена подача електроенергії.

<p>Холодильник вмикається занадто часто або працює занадто довго.</p> <ul style="list-style-type: none"> • Ваш новий холодильник може бути ширшим за попередній. Це цілком нормально. Великі холодильники працюють протягом тривалішого часу. • Температура навколишнього середовища може бути зависокою. Це цілком нормально. • Холодильник міг бути нещодавно увімкнений чи завантажений продуктами. Повне охолодження холодильника може тривати на кілька годин довше. • Можливо, у холодильник нещодавно завантажили велику кількість гарячих продуктів. Гарячі продукти спричиняють довшу роботу холодильника з метою досягнення потрібної температури зберігання. • Можливо, двері часто відчиняють, або вони тривалий час були нещільно зачинені. Тепле повітря, що потрапляє до холодильника, спричиняє його довшу роботу. Відчиняйте дверцята рідше. • Нещільно зачинені двері холодильного чи морозильного відділень. Перевірте, чи щільно зачинені дверцята. • Холодильник відрегульовано на дуже низьку температуру. Відрегулюйте температуру холодильного відділення до вищого значення, поки не буде досягнута потрібна температура. • Ущільнювач дверцята холодильного чи морозильного відділень, можливо, забруднений, зношений, зіпсутий або неправильно встановлений. Ущільнювач дверей треба почистити чи замінити. Пошкоджений ущільнювач примушує холодильник працювати довше для того, щоб підтримувати температуру.
<p>Температура морозильного відділення занижка, тоді як температура холодильника достатня.</p>
<ul style="list-style-type: none"> • Морозильне відділення відрегульовано на дуже низьку температуру. Відрегулюйте температуру морозильного відділення до вищого значення та перевірте.
<p>Температура холодильника занижка, тоді як температура морозильного відділення достатня.</p>
<ul style="list-style-type: none"> • Холодильник налаштовано на дуже низьку температуру. Відрегулюйте температуру холодильника до вищого значення та перевірте.
<p>Продукти, що зберігаються у холодильному відділенні, заморожуються.</p> <ul style="list-style-type: none"> • Холодильник налаштовано на дуже низьку температуру. Відрегулюйте температуру холодильника до вищого значення та перевірте.

Температура у холодильному чи морозильному відділеннях зависока.
<ul style="list-style-type: none"> • Холодильник налаштовано на дуже високу температуру. Температура холодильного відділення впливає на температуру морозильного. Змініть температуру холодильника чи морозильника, поки не буде досягнуто потрібне значення. • Можливо, дверцята часто відчиняють, або вони тривалий час були нещільно зачинені; відчиняйте дверцята рідше. • Можливо, дверцята холодильника прочинені; зачиніть їх повністю. • Можливо, у холодильник нещодавно завантажили велику кількість гарячих продуктів. Заждіть, поки холодильник чи морозильник досягне потрібної температури. • Можливо, холодильник нещодавно увімкнули. На повне охолодження холодильника буде потрібен час.
Рівень робочого шуму підвищується під час роботи холодильника.
<ul style="list-style-type: none"> • Робочі характеристики холодильника можуть змінюватися у залежності від температури навколишнього середовища. Це цілком нормально і не свідчить про несправність.
Вібрації або шум.
<ul style="list-style-type: none"> • Нерівна чи нестійка підлога. При повільному переміщенні холодильник дрижить. Переконайтеся, що підлога рівна і може витримати вагу холодильника. • Шум може бути спричинений предметами, що покладені зверху на холодильник. Сторонні предмети слід прибрати з холодильника.
З холодильника лунає шум, наче плетється чи розбризкується рідина.
<ul style="list-style-type: none"> • Рідини і гази протікають у системі охолодження холодильника відповідно до принципу його роботи. Це цілком нормально і не свідчить про несправність.
Чується шум, наче дме вітер.
<ul style="list-style-type: none"> • Для охолодження холодильника використовуються вентилятори. Це цілком нормально і не свідчить про несправність.
Конденсат на внутрішніх стінках холодильника.
<ul style="list-style-type: none"> • Спекотна й волога погода сприяє утворенню льоду та появі конденсату. Це цілком нормально і не свідчить про несправність. • Можливо, дверцята холодильника прочинені; зачиніть їх повністю. • Можливо, дверцята часто відчиняють, або вони тривалий час були нещільно зачинені; відчиняйте дверцята рідше.
Поява вологи зовні холодильника чи між стулками дверей.
<ul style="list-style-type: none"> • Повітря вологе; при вологій погоді це цілком нормально. Коли волога зменшиться, конденсація зникне.
Поганий запах всередині холодильника.
<ul style="list-style-type: none"> • Слідкуйте за тим, щоб холодильник усередині був чистим. Протріть внутрішню частину холодильника губкою, змоченою в теплій чи газованій воді. • Деякі види упаковки чи контейнерів для зберігання також можуть бути джерелом запаху. Використовуйте інший контейнер чи матеріал для упакування.
Дверцята не зачиняються.
<ul style="list-style-type: none"> • Продукти можуть заважати зачиненню дверцят. Перекладіть продукти, які заважають зачиненню дверцят. • Можливо, холодильник стоїть не зовсім вертикально. Це може викликати дрижання при найменшому русі. Відрегулюйте гвинт регулювання висоти. • Нерівна чи неміцна підлога. Переконайтеся, що підлога рівна і може витримати вагу холодильника.
Контейнери злиплися.
<ul style="list-style-type: none"> • Можливо, продукти торкаються верхньої частини контейнера. Перекладіть продукти в контейнері.

Palun lugege esmalt juhendit!

Kallis klient,

Me loodame, et teie toode, mis on toodetud moodsates tehastes ja kontrollitud kõige põhjalikumate kvaliteedikontrolli protseduuridega, teenib teid hästi.

Selleks soovitame teil põhjalikult kogu tootejuhendi läbi lugeda enne toote kasutamist ja hoida see ka tulevikuks käepärast.

See juhend

- Aitab teil oma seadet kasutada kiirelt ja ohutult.
- Lugege juhendit enne seadme paigaldamist ja kasutamist.
- Järgige juhiseid, eriti ohutusteamalisi.
- Hoidke juhendit kättesaadavas kohas, kuna te võite seda ka hiljem vajada.
- Lisaks lugege ka teisi tootega kaasas olevaid dokumente.

Palun pange tähele, et see juhend võib kehtida ka teiste mudelite kohta.

Sümbolid ja nende kirjeldused

See kasutusjuhend sisaldab järgnevat sümboleid:

 Oluline teave või kasulikud näpunäited.

 Hoiatus elule ja varale ohtlike tingimuste eest.

 Hoiatus elektripinge eest.



HOIATUS!

Et külmutusseade, mis kasutab igati keskkonnasõbralikku külmutusagensit R600a (tuleohtlik ainult teataval tingimustel), töötaks normaalselt, peate järgima järgmisi eeskirju:

- Ärge blokeeri õhu vaba ringlust seadme ümbruses.
- Ärge püüdke sulamist kiirendada mehaaniliste abivahenditega, mida tootja ei ole soovitanud.
- Ärge kahjustage külmutusagensikontuuri.
- Ärge kasutage toiduainete hoiukambrites elektriseadmeid, mida tootja ei ole soovitanud.

Ümbertöötlemine



Seadmel on elektri- ja elektroonikaseadmete jäätmete (WEEE) selektiivse sorteerimise sümbol.

See tähendab, et toodet tuleb käidelda vastavalt Euroopa Liidu direktiivile 2002/96/EÜ, et see keskkonnamõjude vähendamiseks ümber töödeldaks või lammutataks. Lisateabe saamiseks võtke ühendust kohalike või regionaalsete ametivõimudega.

Selektiivse sorteerimise alla mitte käivad elektroonikaseadmed kujutavad potentsiaalset ohtu keskkonnale ja inimeste tervisele, kuna sisaldavad ohtlikke aineid.

SISUKORD

1 Teie külmik **3**

2 Olulised hoiatused ohutuse tagamiseks **4**

Kasutusotstarve.....	4
Üldohutus	4
Veedosaatoriga toodete puhul	6
Laste ohutuse tagamine	6
Ohuhoiatus.....	6
Mida saab teha energia säästmiseks..	6

3 Paigaldamine **7**

Mida pidada meeles külmiku hilisemal transportimisel.....	7
Enne külmiku kasutamist	7
Elektriühendus.....	7
Pakendi utiliseerimine	7
Vana külmiku utiliseerimine	7
Asukoha valik ja paigaldamine	8
Sisemise lambipirni vahetamine.....	8
Ustepööramine.....	9

4 Ettevalmistus **10**

5 Külmiku kasutamine **11**

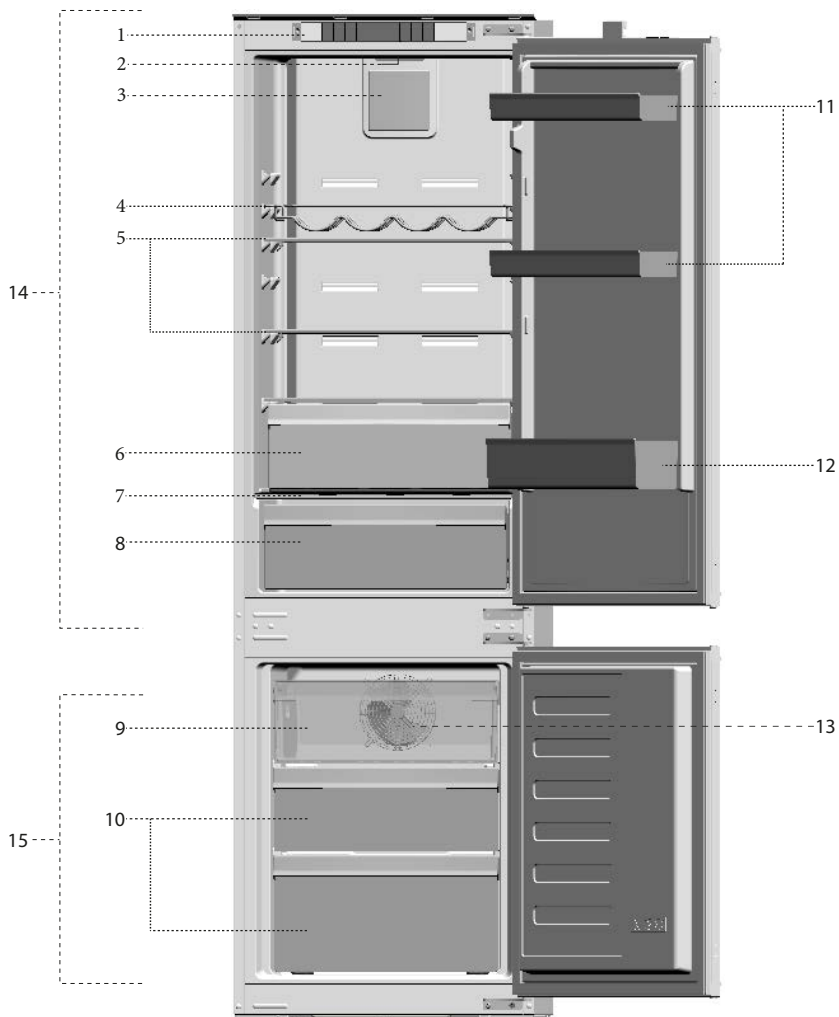
Juhtpaneel	11
Kaheosaline jahutussüsteem	12
Sulatamine	12
Nulltemperatuuriga kamber	12

6 Hooldus ja puhastamine **13**

Plastpindade kaitse	13
---------------------------	----

7 Soovituslikud lahendused probleemidele **14**

1 Teie külmik



- | | |
|-------------------------------|---|
| 1. Juhtpaneel | 9. Kiirkülmutus kamber |
| 2. Valgustuslamp | 10. Sügavkülmutatud toiduainete kambrid |
| 3. Jahutus Kambri ventilaator | 11. Reguleeritavad siseriulid |
| 4. Vein pudelites toetust | 12. Pudeliriul |
| 5. Jahutuskambri riulid | 13. Sügavkülmiku ventilaator |
| 6. Null Temperatuuriga kamber | 14. Jahekambri |
| 7. Juurvilja Kasti kate | 15. Sügavkülmkambr |
| 8. Juurviljasahtel | |

i Kasutusjuhendis esinevad joonised on skemaatilised ja ei pruugi täpselt vastata teie tootele. Kui kõnealused osad ei ole teie soetatud tootega kaasas, kehtib see teiste mudelite kohta.

2 Olulised hoiatused ohutuse tagamiseks

Palun tutvuge alljärgneva teabega.

Selle teabe eiramine võib põhjustada vigastusi või materiaalset kahju.

Vastasel korral muutuvad kõik garantiid ja töökindluse tagatised kehtetuks.

Originaalvaruosad on saadaval 10 aasta jooksul seadme valmistamisest.

Kasutusotstarve

Toode on mõeldud kasutamiseks:

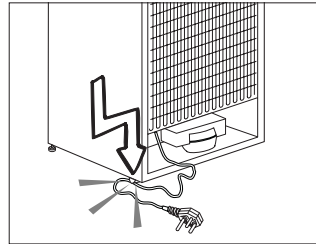
- tubades ja siseruumides: nt kodudes;
- suletud töökeskkonnas: nt kauplustes ja kontorites;
- kinnistes majutuspiirkondades: nt talumajad, hotellid, pansionaadid.
- Toodet ei tohiks kasutada välitingimustes.

Üldohutus

- Kui soovite toote utiliseerida või vanametalli saata, soovitame teil vajaliku teabe ja volitatud asutuste leidmiseks konsulteerida volitatud teenindusega.
- Kõigi külmikuga seotud küsimuste ja probleemide osas konsulteerige volitatud teenindusega. Ärge tegutsege külmiku kallal ega laske kellelgi teisel seda teha ilma volitatud teenindust teavitamata.
- Külmutuskambriga toodete puhul: ärge sööge jäätist ja jääkuubikuid kohe pärast sügavkülmikust väljavõtmist! (See võib tekitada suus külma- või põletustunnet).
- Külmutuskambriga toodete puhul: ärge pange pudelisse ja purki villitud jooke sügavkülmikusse. Vastasel juhul võivad nad lõhkeda.
- Ärge puudutage külmutatud toiduaineid palja käega; need võivad käe külge kinni jääda.
- Enne puhastamist või sulatamist eemaldage külmik vooluvõrgust.
- Külmiku puhastamiseks ja sulatamiseks ei tohi kunagi kasutada auru ning pihustatavaid puhastusvahendeid. Sellistel juhtudel võib aur sattuda kontakti elektriosadega ja põhjustada lühise või elektrilöögi.
- Ärge kunagi kasutage külmiku osasid (nt uks) toetus- või astumispinnana.
- Ärge kasutage külmiku sees elektriseadmeid.
- Ärge vigastage puurimis- või lõikeriistadega külmiku osi, kus ringleb külmutusaine. Aurustaja, torupikenduste või pinnakattevahendite augustamisel välja lenduda võib külmutusaine põhjustab nahaärritust ja silmakahjustusi.
- Ärge katke ega blokeerige külmiku ventilatsiooniavasid.
- Elektriseadmeid võivad parandada ainult volitatud isikud. Ebakompetentsete isikute tehtud parandused võivad olla kasutajale ohtlikud.
- Rikke, hooldus- või parandustöö korral ühendage külmik vooluvõrgust lahti kas vastava kaitsme väljalülitamise või pistiku lahtiühendamise teel.
- Pistiku lahtiühendamisel ärge tõmmake juhtmest.
- Hoidke kõrgema alkoholisisaldusega pudeleid kindlalt suletuna vertikaalses asendis.

- Ärge hoidke külmikus aerosoolpakendeid tule- ja plahvatusohtlike ainetega.
- Ärge kasutage sulatusprotsessi kiirendamiseks mehaanilisi seadmeid ega muid vahendeid peale tootja soovitatute.
- Toode ei ole mõeldud kasutamiseks piiratud füüsiliste, sensorsete või vaimsete võimetega, samuti puudulike kogemuste ja teadmistega isikute (sealhulgas laste) poolt, välja arvatud nende turvalisuse eest vastutava isiku juuresolekul ja juhendamisel.
- Ärge kasutage vigastatud külmikut. Probleemide korral pidage nõu volitatud teenindusega.
- Teie külmiku elektriline ohutus on tagatud ainult siis, kui teie maja maandussüsteem vastab standarditele.
- Toote kokkupuutumine vihma, lume, päikese ja tuulega on elektriohutuse seisukohast ohtlik.
- Et vältida ohtliku olukorra teket, pöörduge toitejuhtme vigastuse korral volitatud teenindusse.
- Paigalduse ajal ärge ühendage külmikut seinakontakti. Vastasel korral võib tekkida surma või raske vigastuse oht.
- See külmik on mõeldud ainult toidu hoiustamiseks. Seda ei tohi kasutada teistel eesmärkidel.
- Tehniliste andmete silt paikneb külmiku sees vasakpoolsel seinal.
- Ärge kunagi ühendage külmikut energiasäästusüsteemiga – see võib külmikut kahjustada.
- **Kui külmikul on sinine valgustus, ärge vaadage seda valgust läbi optiliste seadmete.**

- Käsitsi juhitavate külmikute puhul oodake pärast voolukatkestust vähemalt 5 minutit, enne kui külmiku sisse lülitate.
- Omanikuvahetuse puhul tuleks kasutusjuhend edasi anda külmiku järgmisele omanikule.
- Külmiku transportimisel vältige toitejuhtme kahjustamist. Toitejuhtme painutamise tagajärjel võib tekkida tulekahju. Toitejuhtme peale ei tohi kunagi asetada raskeid esemeid. Ärge ühendage pistikut seinakontakti märgade kätega.



- Ärge ühendage külmikut logiseva seinakontaktiga.
- Ohutuse huvides ei tohi pritsida vett otse külmiku sisemistele või välimistele osadele.
- Tulekahju ja plahvatuse ohu vältimiseks ärge pihustage külmiku lähedal kergestisüttivaid aineid (nt propaangaas).
- Ärge asetage külmiku peale veega täidetud esemeid, kuna see võib põhjustada elektrilöögi või tulekahju.
- Ärge pange külmikusse liiga suurt kogust toitu. Liiga täis pandud külmikust võivad toidud ukse avamisel välja kukkuda ning teid ennast või külmikut kahjustada. Ärge asetage külmiku peale esemeid, kuna need võivad külmiku ukse avamisel või sulgemisel alla kukkuda.

- Külmikülmikus ei tohi hoida vaktsiine, temperatuuritundlikke ravimeid, teaduslikke aineid jne, mis nõuavad kindlaid temperatuuritingimusi.
- Kui külmkappi pole kavas pikemat aega kasutada, tõmmake pistik kontaktist välja. Toitejuhtme võimalik defekt võib põhjustada tulekahju.
- Elektripistiku otsa tuleks regulaarselt puhastada, vastasel juhul võib see põhjustada tulekahju.
- Elektripistiku otsa tuleks kuiva lapiga regulaarselt puhastada, vastasel juhul võib see põhjustada tulekahju.
- Kui reguleeritavad jalad ei ole kindlalt vastu põrandat, võib külmik paigast nihkuda. Et vältida külmiku nihkumist, tuleks reguleeritavad jalad põrandal korralikult fikseerida.
- Külmikülmikut teisel ajal ära hoidke kinni uksekäepidemest. Vastasel korral võib see puruneda.
- Kui peate toote paigaldama teise külmiku või sügavkülmiku kõrvale, peab seadmete vahele jääma vähemalt 8 cm vaba ruumi. Vastasel juhul võivad külgeinad niiskeks muutuda.

Veedosaatoriga toodete puhul

- Veeseadme torustikus ei tohi olla madalam kui 1 bar. Veeseadme torustikus ei tohi olla kõrgem kui 8 bar.
- Kasutage ainult joogikõlblikku vett.

Laste ohutuse tagamine

- Kui uksele on lukk, tuleks võtit hoida väljaspool laste käeulatus.
- Hoidke lastel silma peal, et nad ei saaks seadmega mängida.

Ohuhoiatus

Kui teie toote jahutussüsteem sisaldab ainet R600a:

See gaas on tuleohtlik. Seega olge ettevaatlik, et mitte kasutuse ja transpordi ajal jahutussüsteemi ning torustikku vigastada. Vigastuse korral hoidke toodet eemal potentsiaalsetest tuleallikatest, mis selle süüdata võiksid, ja ventileerige ruumi, milles seade asub.

See hoiatus ei puuduta teid, kui teie toote jahutussüsteem sisaldab ainet R134a.

Tootes kasutatava gaasi tüüp on kirjas andmesildil, mis paikneb külmiku sees vasakpoolsel seinal.

Ärge kunagi seadet põletage.

Mida saab teha energia säästmiseks

- Ärge hoidke oma külmiku ukse pikalt lahti.
- Ärge pange külmikülmikusse kuuma toitu-juooke.
- Ärge laadige külmikülmikut liiga täis, et õhk saaks vabalt ringelda.
- Ärge paigaldage oma külmikülmikut otsese päikesevalguse kätte või kuumust kiirgavate seadmete lähedale (nt ahjud, nõudepesumasina või radiaatorid).
- Hoidke toitu suletud nõudes.
- Külmutuskambriga toodete puhul: et külmutuskamber mahutaks võimalikult palju, võite eemaldada riili või sahtli. Külmiku energiakulu ametlik väärtus on saadud maksimaalse täituvuse juures, kui külmutuskambri riilil või sahtel on eemaldatud. Riilil või sahtlil võib vabalt kasutada vastavalt külmutatavate toiduainete kujule ja suurusel.
- Külmutatud toidu sulatamine jahutuskambris võimaldab säästa energiat ning ühtlasi säilitada toidu kvaliteeti.

3 Paigaldamine

- ⚠️ Palun jätke meelde, et tootja vabaneb vastutusest, kui selles kasutusjuhendis antud teavet arvesse ei võeta.

Mida pidada meeles külmiku hilisemal transportimisel

1. Külmik tuleb enne igasugust liigutamist tühjendada ja puhastada.
2. Riivlid, lisaseadmed, köögiviljasahtel jms tuleb teibi abil enne uuesti pakendamist raputuste kaitseks kindlalt kinnitada.
3. Pakend tuleb siduda paksu teibi ja tugevate köite abil ning tuleb järgida pakendile trükitud transpordireegleid.

Palun ärge unustage...

Iga ümbertöödeldud ese on hädavajalik abi loodusele ja meie loodusressurssidele. Kui soovite panustada pakkematerjalide ümbertöötlemisse, saate lisateavet keskkonnakaitseasutustest või kohalike võimuorganite käest.

Enne külmiku kasutamist

Enne külmiku kasutama hakkamist kontrollige järgmist:

1. Kas külmiku sisemus on kuiv ja kas õhk saab selle tagaosas vabalt liikuda?
2. Puhastage külmiku sisemus, nagu soovitatud peatükis "**Hooldus ja puhastamine**".
3. Ühendage külmik seinakontakti. Kui külmiku uks on avatud, läheb jahutuskambri tuli põlema.
4. Kompressori käivitumisega kaasneb müra. Jahutussüsteemis olev vedelik ja gaasid võivad samuti müra tekitada, seda isegi juhul kui kompressor ei tööta – see on täiesti normaalne.

5. Külmiku esiservad võivad tunduda soojad. See on täiesti normaalne nähtus. Need alad peavad olema soojad, et vältida kondensaadi teket.

Elektriühendus

Ühendage seade maandatud pistikupessa, mida kaitseb sobiva nimivoolutugevusega kaitse. NB!

- Ühendus peab vastama riiklikele nõuetele.
- Toitejuhe peab olema pärast paigaldust kergesti ligipääsetav.
- Ettenähtud pinge peab vastama teie vooluvõrgu pingele.
- Ühendamiseks ei tohi kasutada pikendusjuhtmeid ja harupistikuid.

- ⚠️ Kahjustatud toitejuhe tuleb lasta välja vahetada kvalifitseeritud elektrikul.

- ⚠️ Toodet ei tohi enne selle parandamist kasutada! Elektrilöögi oht!

Pakendi utiliseerimine

Pakkematerjalid võivad olla lastele ohtlikud. Hoidke pakkematerjale lastele kättesaamatus kohas või utiliseerige need, sorteerides need vastavalt jäätmekäitlusjuhistele. Ärge visake neid ära koos majapidamisjätmetega. Teie külmiku pakend on toodetud ümbertöödeldavatest materjalidest.

Vana külmiku utiliseerimine

Utiliseerige oma vana seade keskkonda kahjustamata.

- Külmiku utiliseerimise osas võite nõu pidada volitatud edasimüüjaga või oma haldusüksuse jäätmekäitluskeskusega.
- Enne külmiku utiliseerimist ühendage lahti elektripistik ja kui uksele on lukke, muutke need kasutuskõlbmatuks, et kaitsta lapsi ohtude eest.

Asukoha valik ja paigaldamine

⚠ Kui külmik ei mahu läbi ukse ruumi, kuhu soovite seda paigaldada, pöörduge volitatud teenindusse. Tehnik saab külmiku ukсед eemaldada, nii et see mahub külili läbi ukseava.

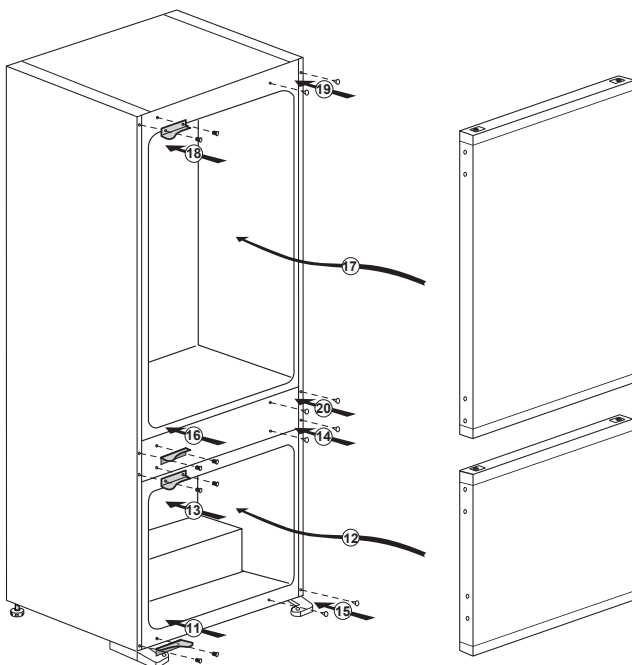
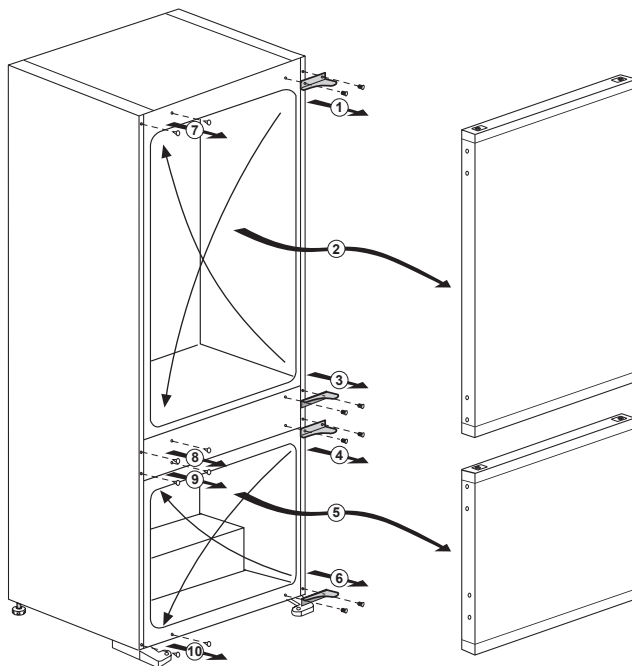
1. Paigaldage külmik kohta, kus seda on kerge kasutada.
2. Hoidke külmikut eemal soojusallikatest, niisketest kohtadest ja otsesest päikesevalgusest.
3. Külmiku tõhusa töö tagamiseks peab selle ümbruses toimuma piisav õhuringlus. Kui kavatsete paigutada külmiku seinarva, peab see jääma laest ja seintest vähemalt 5 cm kaugusele. Kui põrand on kaetud vaibaga, tuleb toode tõsta põrandast 2,5 cm kõrgusele.
4. Põrutuste vältimiseks asetage külmik ühetasasele põrandapinnale.
5. Ärge hoidke külmikut ruumis, mille temperatuur on alla 10°C.

Sisemise lambipirni vahetamine

Külmiku sisevalgusti pirni vahetamiseks pöörduge volitatud teenindusse. Lamp/lambid, mida selles seades kasutatakse, ei sobi kodumajapidamise siseruumide valgustamiseks. Selle lambi sihtotstarbeks, on aidata kasutajal paigutada toiduaineid külmikusse/ sügavkülmikusse ohutult ja mugavalt. Las lámparas utilízadas en este electrodoméstico deben soportar unas condiciones físicas extremas como temperaturas inferiores a -20°C.

Uste pööramine

Jätkake numbrilises järjestuses.

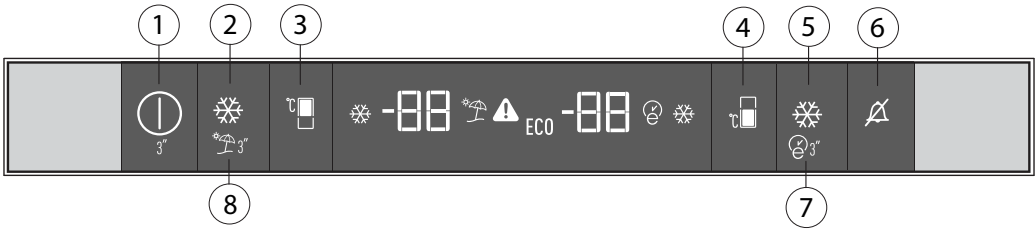


4 Ettevalmistus

- Teie külmik tuleks paigaldada vähemalt 30 cm kaugusele kuumusallikatest nagu pliidirauad, ahjud, keskküttesüsteem ja pliidad, ning vähemalt 5 cm kaugusele elektrialhjust. Samuti ei tohiks see asuda otsese päikesevalguse käes.
- Külmiku paigaldamiseks kasutatava ruumi temperatuur peaks olema vähemalt 10°C. Jahedamates tingimustes külmiku kasutamine ei ole tõhususe vähenemise tõttu soovitatav.
- Palun veenduge, et külmiku sisemus on korralikult puhastatud.
- Kui kaks külmikut paigaldatakse kõrvuti, peaks nende vahele jääma vähemalt 2 cm ruumi.
- Kui kasutate külmikut esimest korda, järgige palun esimese kuue tunni jooksul järgnevaid juhiseid.
- Ust ei tohiks sagedasti avada.
- See peab töötama tühjalt, ilma et toitu sees oleks.
- Ärge ühendage külmikut vooluvõrgust lahti. Kui tekib teist sõltumatu voolukatkestus, vaadake palun hoiatusi "**Soovituslikud lahendused probleemidele**" peatükis.
- Originaalpakend ja vahtmaterjal tuleks alles jätta juhuks, kui tulevikus on vaja külmikut liigutada või kolida.

5 Külmiku kasutamine

Juhtpaneel



1. Sisse-/väljalülitusnäidik

Kui külmik on välja lülitatud, süttib sümbol (Ⓛ) Kõik muud sümbolid on välja lülitatud.

2. Kiirjahutusfunktsioon

Nupul on kaks funktsiooni.

Kiirjahutusfunktsiooni sisse- või väljalülitamiseks vajutage seda lühidalt. Kiirjahutuse näidik kustub ja seade lülitub tavarežiimile (❄️).

Kiirjahutusfunktsiooni saate kasutada jahutuskambrisse asetatud toiduainete kiireks jahutamiseks. Kui soovite jahutada suure koguse värsked toiduaineid, lülitage see funktsioon sisse enne toidu asetamist seadmesse.

Kui te funktsiooni ei tühistate, lülitub kiirjahutus automaatselt välja kõige rohkem ühe tunni möödumisel või pärast seda, kui jahutuskamber saavutab vajaliku temperatuuri.

3. Jahutuskambri temperatuuri seadistamise nupp

Selle nupu vajutamisel lülitub jahutuskambri temperatuur 8, 7, 6, 5, 4, 3, 2, 8... kraadile. Seda nupu vajutades saate seada jahutuskambri soovitud temperatuurile (🌡️).

4. Külmutuskambri temperatuuri seadistamise nupp

Selle nupu vajutamisel lülitub külmutuskambri temperatuur -18, -19, -20, -21, -22, -23, -24, -18... kraadile. Seda nupu vajutades saate seada külmutuskambri soovitud temperatuurile (🌡️).

5. Kiirkülmutusfunktsiooni nupp

Vajutage seda nupu kiirkülmutuse funktsiooni sisse- või väljalülitamiseks. Funktsiooni aktiveerimisel jahutatakse külmutuskamber määratud väärtusest madalama temperatuurini (❄️).

Kiirkülmutusfunktsiooni saate kasutada jahutuskambrisse asetatud toiduainete kiireks külmutamiseks. Kui soovite külmutada suure koguse värsked toiduaineid, lülitage see funktsioon sisse enne toidu asetamist seadmesse.

Kui te funktsiooni ei tühistate, lülitub kiirjahutus automaatselt välja kõige rohkem 25 tunni möödumisel või pärast seda, kui jahutuskamber saavutab vajaliku temperatuuri.

6. Alarmi väljalülitamise hoiatus

Voolukatkestuse või kõrge temperatuuri alarmi korral kontrollige esmalt külmutuskambris olevat toitu ning vajutage hoiatuse eemaldamiseks alarmi väljalülitamise nuppu (🔕).

7. Eco fuzzy

Eco fuzzy funktsiooni sisselülitamiseks vajutage eco fuzzy nuppu ja hoidke seda üks sekund all. Selle funktsiooni aktiveerimisel lülitub külmik vähemalt kuue tunni pärast kõige ökonoomsemale režiimile, mille kinnituseks süttib ökonoomse režiimi näidik (🌿). Eco fuzzy funktsiooni väljalülitamiseks vajutage kolm sekundit eco fuzzy funktsiooni nuppu. See näidik põleb kuus tundi pärast eco fuzzy funktsiooni sisselülitamist, kui vahepeal uksti ei avata.

8. Puhkusefunktsioon

Puhkusefunktsiooni sisselülitamiseks vajutage seda nuppu (🌿) 3 sekundi vältel, seejärel süttib puhkuse režiimi näidik (🌿). Puhkusefunktsiooni sisselülitamisel kuvatakse jahutuskambri temperatuurinäidikul "-." ja jahutuskambrist enam ei jahutata. Kui see funktsioon on sisse lülitatud, ei tasu toitu jahutuskambris hoida. Teisi kambreid jahutatakse vastavalt seadistatud temperatuurile. Funktsiooni tühistamiseks vajutage uuesti Puhkuse funktsiooni nuppu.

Kaheosaline jahutussüsteem

Teie külmikul on jahutuskambriga ja külmutuskambri külmana hoidmiseks kaks eraldi jahutussüsteemi. Nii püsib jahutuskambris ja külmutuskambris olev õhk lahus ega segune omavahel.

Tänu kahele eraldiseisvale jahutussüsteemile toimub jahutamine tunduvalt kiiremini kui teist tüüpi külmikutes. Eri sektiioonide lõhnad ei segune. Kuna sulatamine toimub eraldi, saab ka elektrit kokku hoida.

Sulatamine

A) Jahutuskamber

Jahutuskambrist sulatatakse automaatselt. Sulamisvesi voolab läbi äravoolutoru kogumisanumasse, mis asub seadme tagaosas. Veenduge, et äravoolutoru ots asetseb kindlalt kogumiskünnas kompressori peal, et vesi ei voolaks elektrisüsteemi või põrandale.

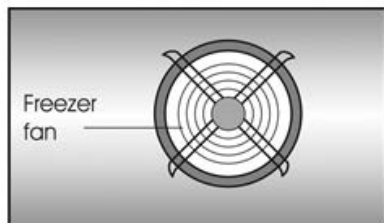
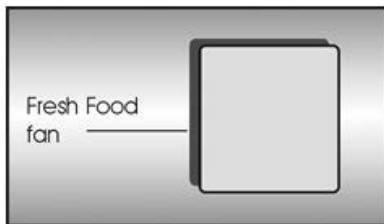
B) Külmutuskamber

NO FROST sulatus on täisautomaatne. Kasutaja sekkumine pole vajalik. Vesi koguneb kompressori alusele ja aurustub kompressorist vabaneva soojuste toimele.

Hoiatused!

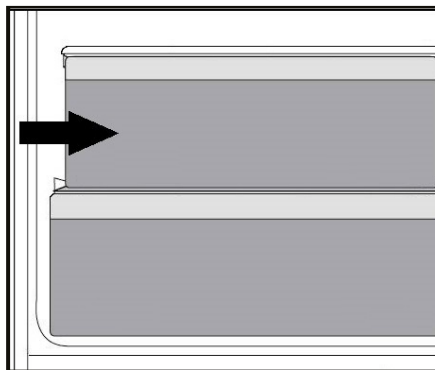
Külmutus- ja jahutuskambris olevad ventilaatorid tagavad külma õhu ringluse. Ärge kunagi torgake esemeid läbi ventilaatorikatte. Ärge laske lastel jahutus- ja külmutuskambri ventilaatoritega mängida. Ärge hoidke külmkapis kunagi tooteid, mis sisaldavad kergsüttivaid ohtlikke gaase (nt sifoonpudelid, pulversisaatorid jne) või plahvatusohtlikke aineid. Ärge katke riuleid materjalidega, mis võivad takistada õhuringlust. Ärge laske lastel seadme ja selle nuppudega mängida. Et seade töötaks optimaalselt, ärge blokeeri ventilaatorikatteid. Hoolitsege, et toiduained või pakendid ei blokeeriks (seisaks) ventilaatoreid ega takistaks nende tööd.

Ventilaatori blokeerimine (seiskamine) või selle töö takistamine põhjustab külmutuskambri sisetemperatuuri tõusu (sulamise).



Nulltemperatuuriga kamber

See kamber on välja töötatud külmutatud toiduainete jaoks, mida on vaja aeglaselt sulatada (liha, kala, kana jms). Nulltemperatuuriga kamber on külmkapi kõige külmem koht, kus on tagatud ideaalsed säilitustingimused piimatoodetele (juust, või), lihale, kalale, kanalihale. Selles pole soovitatav hoida puu- ja köögivilju.



6 Hooldus ja puhastamine

- ⚠ Ärge kunagi kasutage puhastamiseks bensiini, benseeni või sarnaseid aineid.
- ⚠ Me soovime seadme enne puhastamist vooluvõrgust lahti ühendada.
- ⓘ Ärge kunagi kasutage puhastamiseks teravat abrasiivset riista, seepi, majapidamise puhastusvahendit, lahust või vaha.
- ⓘ Kasutage külmkambri puhastamiseks leiget vett ning pärast kuivatage see.
- ⓘ Kasutage sisemuse puhastamiseks lappi, mida on niisutatud lahuses teelusikatäis söögisoodat poole liitri vee kohta, seejärel pühkige kuivaks.
- ⚠ Veenduge, et vett ei satuks lambikorpusesse ja teistesse elektriosadesse.
- ⚠ Kui te ei plaani külmikut pikka aega kasutada, ühendage lahti toitejuhe, eemaldage toit, puhastage kamber ja jätke uks praokile.
- ⓘ Kontrollige uksetihendeid regulaarselt, veendumaks et need on puhtad ja toiduosakestest vabad.
- ⓘ Ukseraamide eemaldamiseks eemaldage nende sisu ja seejärel lihtsalt lükake raam ülespoole pesast välja.
- ⓘ Ärge kasutage seadme välispindade ja kroomitud osade puhastamiseks kloori sisaldavat vett ega puhastusaineid. Kloor põhjustab metallpindade korrodeerumist.

Plastpindade kaitse

- Ärge pange õlisid või õlis küpsetatud toitu külmikusse lahtistes nõudes, kuna need kahjustavad külmiku plastpindasid. Kui plastpindadele satub õli, puhastage ja loputage vastavat osa koheselt sooja veega.

7 Soovituslikud lahendused probleemidele

Palun vaadake see nimekiri enne läbi, kui teenindusse helistate. See võib aidata säästa aega ja raha. See nimekiri sisaldab sagedasemaid kaebusi, mis ei ole põhjustatud vigase töö või materjalikasutuse tõttu. Mõned siinkirjeldatud funktsioonid võivad teie tootel puududa.

Külmik ei tööta.
<ul style="list-style-type: none">• Kas külmik on korralikult pistikupessa ühendatud? Sisestage pistik seinakontakti.• Kas külmiku ühendamiseks kasutatava pesa kaitse või peakaitse on läbi põlenud? Kontrollige kaitset.
Kondensvesi külmiku külmkambri külgeinal. (MULTI ZONE, COOL CONTROL ja FLEXI ZONE).
<ul style="list-style-type: none">• Ümbritsev keskkond on väga külm. Sagedane ukse avamine ja sulgemine. Ümbritsev keskkond on väga niiske. Hoiustatava toidu hulgas on avatud mahutites vedelikke. Ukse praokile jätmine.• Termostaadi külmemale temperatuurile lülitamine.• Ukse lahtiolekuaaja vähendamine või selle harvem kasutamine.• Avatud nõudes hoitava toidu katmine sobiva esemega.• Pühkige kondensvesi kuiva lapiga ära ja vaadake, kas see tekib uuesti.
Kompressor ei tööta.
<ul style="list-style-type: none">• Kompressori kaitsetermostaat lülitub välja ootamatute voolukatkestuste või kiirete sisse-välja lülituste puhul, kuna külmutusaine surve külmiku jahutusüsteemis ei ole veel tasakaalustunud.• Külmik hakkab tööle umbes kuue minuti pärast. Kui külmik pärast seda tööle ei hakka, helistage palun teenindusse.• Külmik on sulatustsüklis. See on täisautomaatse sulatusega külmiku puhul tavaline. Sulatustsüklil toimub perioodiliselt.• Külmik ei ole pistikupessa ühendatud. Veenduge, et pistik on kindlalt seinakontakti sisestatud.• Kas temperatuuriseadistused on tehtud õigesti? Voolu ei ole. Helistage oma elektritarnijale.
Külmik töötab sagedasti või pikka aega.
<ul style="list-style-type: none">• Teie uus külmik võib olla laiem kui eelmine. See on täiesti normaalne nähtus. Suured külmikud töötavad pikemat aega järjest.• Ümbritseva ruumi temperatuur võib olla kõrge. See on täiesti normaalne nähtus.• Külmik võib olla hiljuti sisse ühendatud või toitu täis laaditud. Külmiku täielik mahajahtumine võib võtta mõne tunni kauem.• Külmikusse võib olla hiljuti pandud suur kogus kuuma toitu. Kuum toit põhjustab külmiku pikema tööperioodi, et saavutada ohutu hoiustamistemperatuur.• Uksi võib olla hiljuti avatud või on need pikaks ajaks praokile jäetud. Külmikusse sisenenud soe õhk põhjustab külmiku pikema tööperioodi. Avage uksi harvemini.• Sügavkülma või külmkambri uks võib olla praokile jäetud. Kontrollige, kas ukсед on korralikult kinni.• Külmik on seadistatud väga madalale temperatuurile. Seadistage külmik kõrgemale temperatuurile ja oodake, kuni see saavutatakse.• Külmiku või sügavkülmiku uksetihend võib olla määrdunud, kulunud, katki või lahti. Puhastage või asendage tihend. Kahjustatud/katki tihend sunnib külmikut töötama kauem aega järjest, et hoida ettenähtud temperatuuri.
Sügavkülmiku temperatuur on väga madal, samas kui külmiku temperatuur on piisav.
<ul style="list-style-type: none">• Sügavkülmiku temperatuur on seadistatud väga madalale. Seadke sügavkülmiku temperatuur soojemale tasemele ja kontrollige uuesti.
Külmiku temperatuur on väga madal, samas kui sügavkülmiku temperatuur on piisav.
<ul style="list-style-type: none">• Külmiku temperatuur on seadistatud väga madalale. Seadke külmiku temperatuur soojemale tasemele ja kontrollige uuesti.

Külmiku sahtlites hoitav toit kipub jäätuma.

- Külmiku temperatuur on seadistatud väga madalale. Seadke külmiku temperatuur soojemale tasemele ja kontrollige uuesti.

Temperatuur külmikus või sügavkülmikus on väga kõrge.

- Külmiku temperatuur on seadistatud väga kõrgele. Külmiku seadistus mõjutab ka sügavkülmiku temperatuuri. Muutke külmiku või sügavkülma temperatuuri, kuni see jõuab piisava tasemeni.
- Uks võib olla praokile jäetud. Sulgege uks täielikult.
- Külmikusse võib olla hiljuti pandud suur kogus kuuma toitu. Oodake, kuni külmik või sügavkülmik jõuab soovitud temperatuurini.
- Külmik võib olla alles hiljuti vooluvõrku ühendatud. Külmiku täielik jahtumine võtab suuruse tõttu aega.

Külmikust kostab kella tiksumisega sarnanevat heli.

- Seda heli tekitab külmiku solenoidklapp. Solenoidklapi ülesanne on tagada jahutamine ja jahutusaine liikumine läbi jahutuskambri, mida saab reguleerida jahutus- või külmutusrežiimile. See on normaalne ning tegu ei ole rikkega.

Töömüra suureneb, kui külmik töötab.

- Külmiku tööjõudlusomadused võivad muutuda sõltuvalt ümbritsevast temperatuurist. See on normaalne ning tegu ei ole rikkega.

Vibratsioon või müra.

- Põrand ei ole tasane või on nõrk. Külmik kõigub, kui seda aeglaselt lükata. Veenduge, et põrand on tasane, tugev ja sobib külmiku toetamiseks.
- Müra võivad põhjustada külmikule asetatud esemed. Sellised esemed tuleks külmiku pealt eemaldada.

On kuulda vedeliku voolamise või pihustamise hääli.

- Vedeliku ja gaasi liikumine toimuvad vastavalt teie külmiku tööpõhimõttele. See on normaalne ning tegu ei ole rikkega.

On kuulda tuule puhumise sarnast häält.

- Külmiku tõhusamaks jahutamiseks kasutatakse õhuliigutajaid (ventilaatoreid). See on normaalne ning tegu ei ole rikkega.

Kondensvesi külmiku siseseintel.

- Kuum ja niiske ilm suurendab jäätumist ja kondensatsiooni. See on normaalne ning tegu ei ole rikkega.
- Uksed on praakil. Veenduge, et uksed on täielikult suletud.
- Uksi võib olla väga tihti avatud või on nad pikaks ajaks lahti jäetud. Avage ust harvemini.

Külmiku välisküljele või uste vahele tekib niiskus.

- Ilm võib olla niiske. See on niiske ilmaga täiesti normaalne. Kui niiskust on vähem, kaob ka kondensatsioon.

Halb lõhn külmiku sees.

- Külmiku sisemust peab puhastama. Puhastage külmiku sisemust käsna, sooja vee või gaseeritud veega.
- Lõhna võivad põhjustada mõned nõud või pakkematerjalid. Kasutage teist nõu või erinevat marki pakkematerjali.

Uks(ed) ei sulgu.

- Toidupakendid võivad takistada ukse sulgumist. Asendage pakendid, mis ust takistavad.
- Külmik ei paikne ilmselt põrandal täiesti vertikaalselt ja võib kergel liigutamisel kõikuda. Seadistage tasakaalustuskruvisid.
- Põrand ei ole tasane või tugev. Veenduge, et põrand on tasane ja sobib külmiku toetamiseks.

Sahtlid on kinni kiilunud.

- Toit võib puutuda vastu sahtli lage. Seadke toit sahtlis ümber.



www.beko.com

4578337715/AD
EN,CZ,SK,PL,UKR,ET