

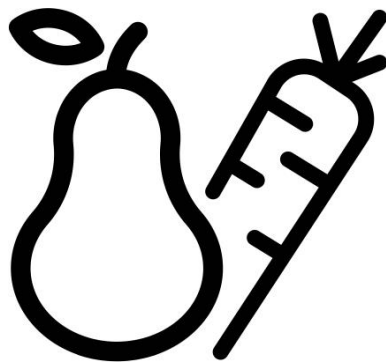


Refrigerator - Freezer

Instruction of use

Холодильник - Морозильна

Інструкція з експлуатації



RCSA406K31W

EN-UA

Please read this user manual first!

Dear Customer,

We hope that your product, which has been produced in modern plants and checked under the most meticulous quality control procedures, will provide you an effective service.

Therefore, read this entire user manual carefully before using the product and keep it as a reference. If you handover the product to someone else, give the user manual as well.




The user manual will help you use the product in a fast and safe way.

- Read the manual before installing and operating the product.
- Make sure you read the safety instructions.
- Keep the manual in an easily accessible place as you may need it later.
- Read the other documents given with the product.

Remember that this user manual is also applicable for several other models. Differences between models will be identified in the manual.

Explanation of symbols

Throughout this user manual the following symbols are used:

-  Important information or useful tips.
-  Warning against dangerous conditions for life and property.
-  Warning against electric voltage.



WARNING!

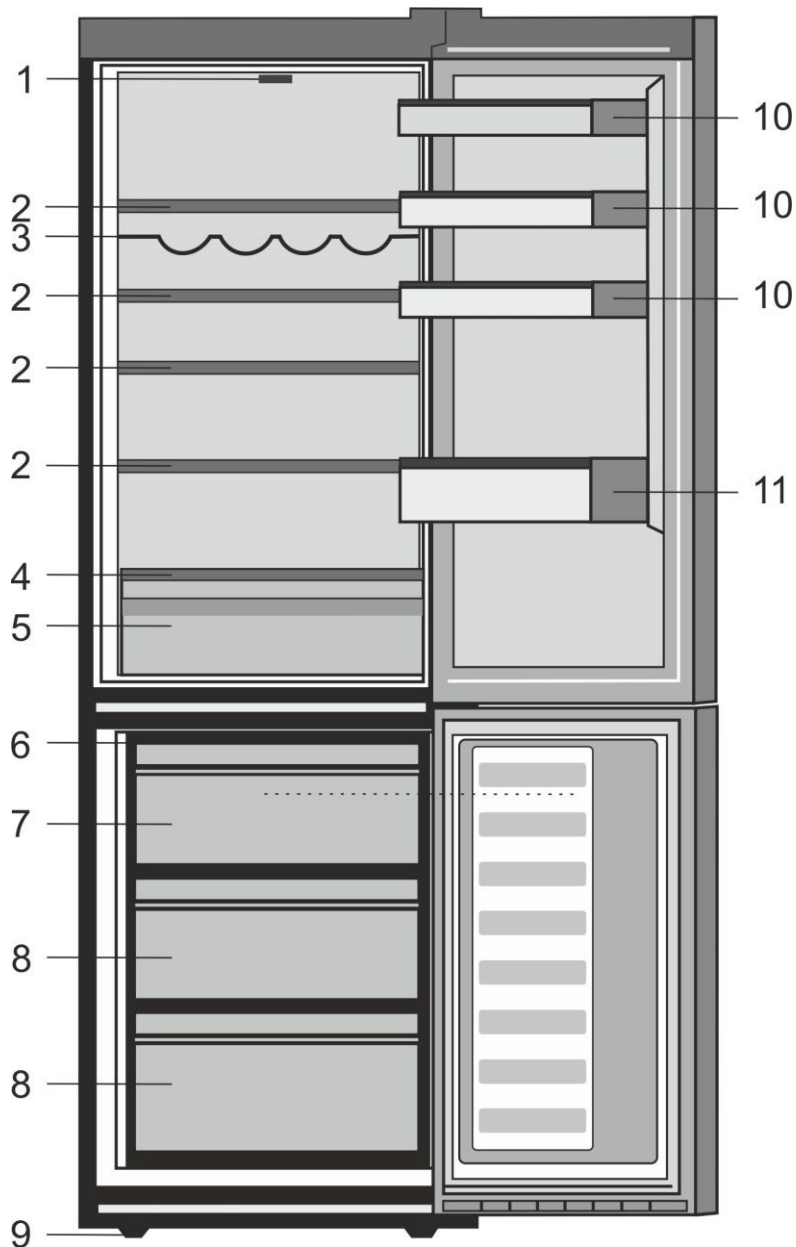
In order to ensure a normal operation of your refrigerating appliance, which uses a completely environmentally friendly refrigerant the R600a (flammable only under certain conditions) you must observe the following rules:

- Do not hinder the free circulation of the air around the appliance.
- Do not use mechanical devices in order to accelerate the defrosting, others than the ones recommended by the manufacturer.
- Do not destroy the refrigerating circuit.
- Do not use electric appliances inside the food keeping compartment, other than those that might have been recommended by the manufacturer.

CONTENTS

1 Your refrigerator	3	4 Preparation	10
2 Important Safety Warnings	4	5 Using your refrigerator	11
Intended use.....	4	Thermostat setting button.....	11
General safety.....	4	Defrost	11
For products with a water dispenser.....	6	Freezing fresh food.....	12
Child safety.....	6	Reversing the doors	13
Compliance with the WEEE Regulation and Disposing of the Waste Product.....	6	Recommendations for preservation of frozen food.....	14
Package information.....	7	Recommendations for the fresh food compartment	14
HCA warning.....	7		
Things to be done for energy saving.....	7	6 Maintenance and cleaning	15
3 Installation	8	Protection of plastic surfaces	15
Points to be paid attention to when the relocation of the refrigerator.....	8	7 Troubleshooting	16
Before you start the refrigerator,.....	8		
Electrical connection.....	8		
Disposing of the packaging.....	8		
Disposing of your old refrigerator.....	9		
Placing and Installation.....	9		
Changing the illumination lamp	9		
Adjusting the legs.....	9		

1 Your refrigerator



1. Setting knob and interior light
2. Adjustable Cabinet shelves
3. Wine bottles support
4. Cover glass
5. Salad crispers
6. Ice tray
7. Compartment for quickly freezing
8. Compartments for frozen foods keeping
9. Adjustable front feet
10. Shelf for jars
11. Shelf for bottles

i Figures that take place in this instruction manual are schematic and may not correspond exactly with your product. If the subject parts are not included in the product you have purchased, then it is valid for other models.

2 Important Safety Warnings

Please review the following information. Failure to observe this information may cause injuries or material damage. Otherwise, all warranty and reliability commitments will become invalid.

Original Spare parts will be provided for 10 years, following the product purchasing date.

Intended use

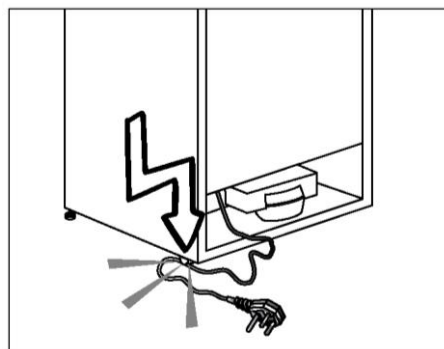
This product is intended to be used

- indoors and in closed areas such as homes;
- in closed working environments such as stores and offices;
- in closed accommodation areas such as farm houses, hotels, pensions.
- It should not be used outdoors.

General safety

- When you want to dispose/scrap the product, we recommend you to consult the authorized service in order to learn the required information and authorized bodies.
- Consult your authorized service for all your questions and problems related to the refrigerator. Do not intervene or let someone intervene to the refrigerator without notifying the authorised services.
- For products with a freezer compartment; Do not eat cone ice cream and ice cubes immediately after you take them out of the freezer compartment! (This may cause frostbite in your mouth.)
- For products with a freezer compartment; Do not put bottled and canned liquid beverages in the freezer compartment. Otherwise, these may burst.
- Do not touch frozen food by hand; they may stick to your hand.
- Unplug your refrigerator before cleaning or defrosting.
- Vapor and vaporized cleaning materials should never be used in cleaning and defrosting processes of your refrigerator. In such cases, the vapor may get in contact with the electrical parts and cause short circuit or electric shock.
- Never use the parts on your refrigerator such as the door as a means of support or step.
- Do not use electrical devices inside the refrigerator.
- Do not damage the parts, where the refrigerant is circulating, with drilling or cutting tools. The refrigerant that might blow out when the gas channels of the evaporator, pipe extensions or surface coatings are punctured causes skin irritations and eye injuries.
- Do not cover or block the ventilation holes on your refrigerator with any material.
- Electrical devices must be repaired by only authorised persons. Repairs performed by incompetent persons create a risk for the user.

- In case of any failure or during a maintenance or repair work, disconnect your refrigerator's mains supply by either turning off the relevant fuse or unplugging your appliance.
- Do not pull by the cable when pulling off the plug.
- Place the beverage with higher proofs tightly closed and vertically.
- Never store spray cans containing flammable and explosive substances in the refrigerator.
- Do not use mechanical devices or other means to accelerate the defrosting process, other than those recommended by the manufacturer.
- This product is not intended to be used by persons with physical, sensory or mental disorders or unlearned or inexperienced people (including children) unless they are attended by a person who will be responsible for their safety or who will instruct them accordingly for use of the product.
- Do not operate a damaged refrigerator. Consult with the service agent if you have any concerns.
- Electrical safety of your refrigerator shall be guaranteed only if the earth system in your house complies with standards.
- Exposing the product to rain, snow, sun and wind is dangerous with respect to electrical safety.
- Contact authorized service when there is a power cable damage to avoid danger.
- Never plug the refrigerator into the wall outlet during installation. Otherwise, risk of death or serious injury may arise.
- This refrigerator is intended for only storing food items. It must not be used for any other purpose.
- Label of technical specifications is located on the left wall inside the refrigerator.
- Never connect your refrigerator to electricity-saving systems; they may damage the refrigerator.
- If there is a blue light on the refrigerator, do not look at the blue light with optical tools.
- For manually controlled refrigerators, wait for at least 5 minutes to start the refrigerator after power failure.
- This operation manual should be handed in to the new owner of the product when it is given to others.
- Avoid causing damage on power cable when transporting the refrigerator. Bending cable may cause fire. Never place heavy objects on power cable.
- Do not touch the plug with wet hands when plugging the product.



- Do not plug the refrigerator if the wall outlet is loose.
- Water should not be sprayed on inner or outer parts of the product for safety purposes.

- Do not spray substances containing inflammable gases such as propane gas near the refrigerator to avoid fire and explosion risk.
- Never place containers filled with water on top of the refrigerator; in the event of spillages, this may cause electric shock or fire.
- Do not overload the refrigerator with food. If overloaded, the food items may fall down and hurt you and damage refrigerator when you open the door.
- Never place objects on top of the refrigerator; otherwise, these objects may fall down when you open or close the refrigerator's door.
- As they require a precise temperature, vaccines, heat-sensitive medicine and scientific materials and etc. should not be kept in the refrigerator.
- If not to be used for a long time, refrigerator should be unplugged. A possible problem in power cable may cause fire.
- The plug's tip should be cleaned regularly with a dry cloth; otherwise, it may cause fire.
- Refrigerator may move if adjustable legs are not properly secured on the floor. Properly securing adjustable legs on the floor can prevent the refrigerator to move.
- When carrying the refrigerator, do not hold it from door handle. Otherwise, it may be snapped.
- When you have to place your product next to another refrigerator or freezer, the distance between devices should be at least 8cm. Otherwise, adjacent side walls may be humidified.

For products with a water dispenser;

Pressure of water mains should be minimum 1 bar. Pressure of water mains should be maximum 8 bars.


- Use only potable water.

Child safety

- If the door has a lock, the key should be kept away from reach of children.
- Children must be supervised to prevent them from tampering with the product.

Compliance with the WEEE Regulation and Disposing of the Waste Product



The symbol  on the product or on packaging indicates that this product may not be treated as household waste. Instead it shall be handed over to the applicable collection point for the recycling of electrical and electronic equipment. By ensuring this product is disposed of correctly, you will help prevent potential negative consequences for the environment and human health, which could otherwise be caused by inappropriate waste handling of this product. For more detailed information about recycling of this product, please contact your local city office, your household waste disposal service or the shop where you purchased the product.

Package information

Packaging materials of the product are manufactured from recyclable materials in accordance with our National Environment Regulations. Do not dispose of the packaging materials together with the domestic or other wastes. Take them to the packaging material collection points designated by the local authorities.

Do not forget...

Any recycled substance is an indispensable matter for nature and our national asset wealth.

If you want to contribute to the reevaluation of the packaging materials, you can consult to your environmentalist organizations or the municipalities where you are located.

HCA warning

If your product's cooling system contains R600a:

This gas is flammable. Therefore, pay attention to not damaging the cooling system and piping during usage and transportation. In the event of damage, keep your product away from potential fire sources that can cause the product catch a fire and ventilate the room in which the unit is placed.

Type of gas used in the product is stated in the type label which is on the left wall inside the refrigerator.

Never throw the product in fire for disposal.

Things to be done for energy Saving

- Do not leave the doors of your refrigerator open for a long time.
 - Do not put hot food or drinks in your refrigerator.
 - Do not overload your refrigerator so that the air circulation inside of it is not prevented.
 - Do not install your refrigerator under direct sunlight or near heat emitting appliances such as ovens, dishwashers or radiators. Keep your refrigerator at least 30 cm away from heat emitting sources and at least 5 cm from electrical ovens.
 - Pay attention to keep your food in closed containers.
 - For products with a freezer compartment; You can store maximum amount of food items in the freezer when you remove the shelf or drawer of the freezer. Energy consumption value stated for your refrigerator has been determined by removing freezer shelf or drawer and under maximum load. There is no harm to use a shelf or drawer according to the shapes and size of food to be frozen.
 - Thawing frozen food in fridge compartment will both provide energy saving and preserve the food quality.
- ⚠ In case the information which are given in the user manual are not taken into account, manufacturer will not assume any liability for this.

3 Installation

Points to be paid attention to when the relocation of the refrigerator

1. Your refrigerator should be unplugged. Before transportation of your refrigerator, it should be emptied and cleaned.
2. Before it is re-packaged, shelves, accessories, crisper, etc. inside your refrigerator should be fixed with adhesive tape and secured against impacts. Package should be bound with a thick tape or sound ropes and the transportation rules on the package should be strictly observed.
3. Original packaging and foam materials should be kept for future transportations or moving.

Before you start the refrigerator,

Check the following before you start to use your refrigerator:

1. Clean the interior of the refrigerator as recommended in the "Maintenance and cleaning" section.
2. Connect the plug of the refrigerator to the wall socket. When the fridge door is opened, fridge internal lamp will turn on.
3. When the compressor starts to operate, a sound will be heard. The liquid and gases sealed within the refrigeration system may also give rise to noise, even if the compressor is not running and this is quite normal.
4. Front edges of the refrigerator may feel warm. This is normal. These areas are designed to be warm to avoid condensation.


Electrical connection


Connect your product to a grounded socket which is being protected by a fuse with the appropriate capacity.

Important:

The connection must be in compliance with national regulations.

- The power plug must be easily accessible after installation.
- Electrical safety of your refrigerator shall be guaranteed only if the earth system in your house complies with standards.
- The voltage stated on the label located at left inner side of your product should be equal to your network voltage.
- **Extension cables and multi plugs must not be used for connection.**

 A damaged power cable must be replaced by a qualified electrician.

 Product must not be operated before it is repaired! There is the risk of electric shock!

Disposing of the packaging

The packing materials may be dangerous for children. Keep the packing materials out of the reach of children or dispose of them by classifying them in accordance with the waste instructions stated by your local authorities. Do not throw away with regular house waste, throw away on packaging pick up spots designated by the local authorities.

The packing of your refrigerator is produced from recyclable materials.

Disposing of your old Refrigerator

Dispose of your old refrigerator without giving any harm to the environment.

- You may consult your authorized dealer or waste collection center of your municipality about the disposal of your refrigerator.

Before disposing of your refrigerator, cut out the electric plug and, if there are any locks on the door, make them inoperable in order to protect children against any danger.

Placing and Installation

⚠ If the entrance door of the room where the refrigerator will be installed is not wide enough for the refrigerator to pass through, then call the authorized service to have them remove the doors of your refrigerator and pass it sideways through the door.

1. Install your refrigerator to a place that allows ease of use.
2. Keep your refrigerator away from heat sources, humid places and direct sunlight.
3. There must be appropriate air ventilation around your refrigerator in order to achieve an efficient operation. If the refrigerator is to be placed in a recess in the wall, there must be at least 5 cm distance with the ceiling and at least 5 cm with the wall. Do not place your product on the materials such as rug or carpet.
4. Place your refrigerator on an even floor surface to prevent jolts.

Changing the illumination Lamp

To change the Bulb/LED used for illumination of your refrigerator, call your Authorized Service.

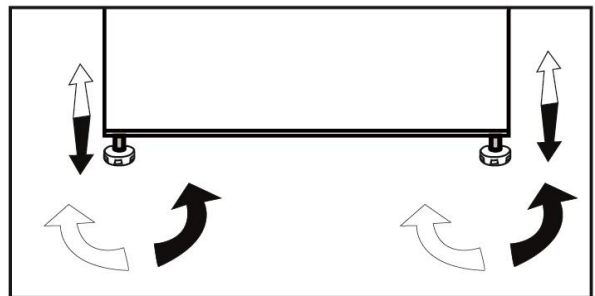
The lamp(s) used in this appliance is not suitable for household room illumination. The intended purpose of this lamp is to assist the user to place foodstuffs in the refrigerator/freezer in a safe and comfortable way.

The lamps used in this appliance have to withstand extreme physical conditions such as temperatures below -20°C .

Adjusting the legs

If your refrigerator is unbalanced;

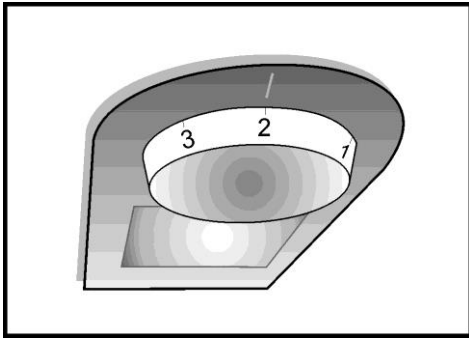
You can balance your refrigerator by turning its front legs as illustrated in the figure. The corner where the leg exists is lowered when you turn in the direction of black arrow and raised when you turn in the opposite direction. Taking help from someone to slightly lift the refrigerator will facilitate this process.



4 Preparation

- Your refrigerator should be installed at least 30 cm away from heat sources such as hobs, ovens, central heater and stoves and at least 5 cm away from electrical ovens and should not be located under direct sunlight.
- The ambient temperature of the room where you install your refrigerator should at least be 10°C. Operating your refrigerator under cooler conditions is not recommended with regard to its efficiency.
- Please make sure that the interior of your refrigerator is cleaned thoroughly.
- If two refrigerators are to be installed side by side, there should be at least 2 cm distance between them.
- When you operate your refrigerator for the first time, please observe the following instructions during the initial six hours.
- The door should not be opened frequently.
- It must be operated empty without any food in it.
- Do not unplug your refrigerator. If a power failure occurs out of your control, please see the warnings in the “Recommended solutions for the problems” section.
- Original packaging and foam materials should be kept for future transportations or moving.

5 Using your refrigerator



Thermostat setting button

The interior temperature of your refrigerator changes for the following reasons;

- Seasonal temperatures,
- Frequent opening of the door and leaving the door open for long periods,
- Food put into the refrigerator without cooling down to the room temperature,
- The location of the refrigerator in the room (e.g. exposing to sunlight).
- You may adjust the varying interior temperature due to such reasons by using the thermostat.

Operating temperatures are controlled by the thermostat knob and may be set at any position between 0 and 5 (the coldest position).

The average temperature inside the fridge should be around +5°C (+41°F). Therefore adjust the thermostat to obtain the desired temperature. Some sections of the fridge may be cooler or warmer (such as salad crisper and top part of the cabinet) which is quite normal. We recommend that you check the temperature periodically with a thermometer to ensure that the cabinet is kept to this temperature. Frequent door openings cause internal temperatures to rise, so it is advisable to close the door as soon as possible after use.

Defrost

A) Fridge compartment

Fridge compartment performs full-automatic defrosting. Water drops and a frosting up to 7-8 mm can occur on the inner rear wall of the fridge compartment while your refrigerator cools down. Such formation is normal as a result of the cooling system. The frost formation is defrosted by performing automatic defrosting with certain intervals thanks to the automatic defrosting system of the rear wall. User is not required to scrape the frost or remove the water drops. Water resulting from the defrosting passes from the water collection groove and flows into the evaporator through the drain pipe and evaporates here by itself. Check regularly to see if the drain pipe is clogged or not and clear it with the stick in the hole when necessary.

Deep freezer compartment does not perform automatic defrosting in order to prevent decaying of the frozen food.

B) Freezer compartment

Defrosting is very straightforward and without mess, thanks to a special defrost collection basin.

Defrost twice a year or when a frost layer of around 7 (1/4") mm has formed. To start the defrosting procedure, switch off the appliance at the socket outlet and pull out the mains plug.

All food should be wrapped in several layers of newspaper and stored in a cool place (e.g.) fridge or larder.

Containers of warm water may be placed carefully in the freezer to speed up the defrosting.

Do not use pointed or sharp-edged objects, such as knives or forks to remove the frost.

Never use hair dryers, electrical heaters or other such electrical appliances for defrosting.

Sponge out the defrost water collected in the bottom of the freezer compartment. After defrosting, dry the interior thoroughly. Insert the plug into the wall socket and switch on the electricity supply.

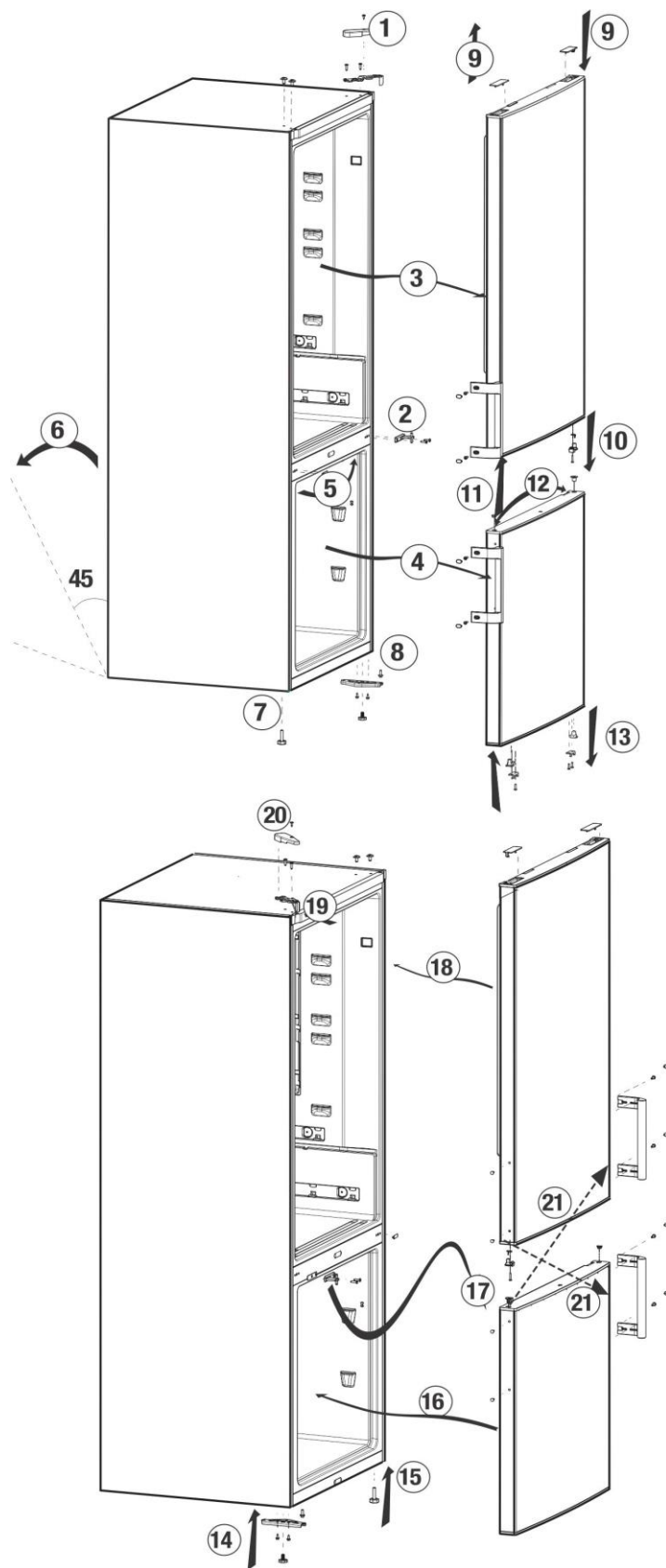
Freezing fresh food

- Wrap or cover the food before placing them in the refrigerator.
- Hot food must cool down to the room temperature before putting them in the refrigerator.
- The foodstuff that you want to freeze must be fresh and in good quality.
- Foodstuff must be divided into portions according to the family's daily or meal based consumption needs.
- Foodstuff must be packaged in an airtight manner to prevent them from drying even if they are going to be kept for a short time.
- Materials to be used for packagings must be resistant to cold and humidity and they must be airtight. The packaging material of the food must be at a sufficient thickness and durability. Otherwise the food hardened due to freezing may puncture the packaging. It is important for the packaging to be closed securely for safe storage of the food.
- Frozen food must be used immediately after they are thawed and they should never be re-frozen.
- Placing warm food into the freezer compartment causes the cooling system to operate continuously until the food is frozen solid.


- Please observe the following instructions to obtain the best results.
 1. Do not freeze too large quantities of food at one time. The quality of the food is best preserved when it is frozen right through to the core as quickly as possible.
 2. Take special care not to mix already frozen food and fresh food.
 3. Make sure raw foods are not in contact with cooked foods in the fridge.
 4. Maximum frozen food storage volume is achieved without using the drawers provided in the freezer compartment. Energy consumption of your appliance is declared while the freezer compartment is fully loaded on shelves without the use of the drawers.
 5. It is recommended that you place foodstuffs on top shelf of freezer for initial freezing.

Reversing the doors

Proceed in numerical order



Recommendations for preservation of frozen food

Prepacked commercially frozen food should be stored in accordance with the frozen food manufacturer's instructions for a  (4 star) frozen food storage compartment.

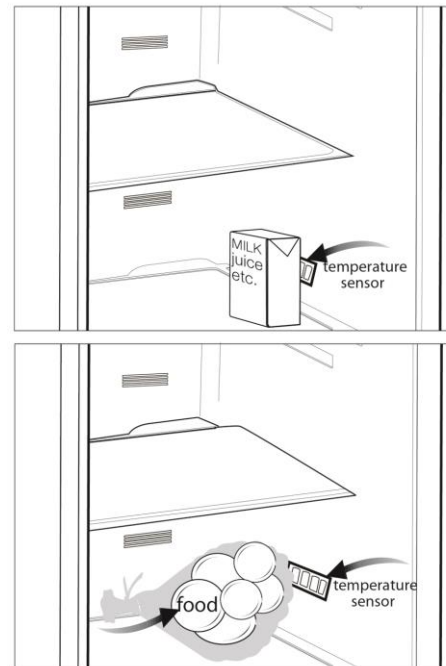
• To ensure that the high quality achieved by the frozen food manufacturer and the food retailer is maintained, the following should be remembered:

1. Put packages in the freezer as quickly as possible after purchase.
2. Ensure that contents are labeled and dated.
3. Do not exceed "Use By", "Best Before" dates on the packaging.

Recommendations for the fresh food compartment

*optional

- Do not allow the food to touch the temperature sensor in fresh food compartment. To allow the fresh food compartment keep its ideal storage temperature, sensor must not be hindered by food.
- Do not place hot foods in the product.



6 Maintenance and cleaning

- ⚠ Never use gasoline, benzene or similar substances for cleaning purposes.
- ⚠ We recommend that you unplug the appliance before cleaning.
- ⚠ Never use any sharp abrasive instrument, soap, household cleaner, detergent and wax polish for cleaning.
- ℹ Use lukewarm water to clean the cabinet of your refrigerator and wipe it dry.
- ℹ Use a damp cloth wrung out in a solution of one teaspoon of bicarbonate of soda to one pint of water to clean the interior and wipe it dry.
- ⚠ Make sure that no water enters the lamp housing and other electrical items.
- ⚠ If your refrigerator is not going to be used for a long period of time, unplug the power cable, remove all food, clean it and leave the door ajar.
- ℹ Check door seals regularly to ensure they are clean and free from food particles.
- ⚠ To remove door racks, remove all the contents and then simply push the door rack upwards from the base.
- ⚠ Never use cleaning agents or water that contain chlorine to clean the outer surfaces and chromium coated parts of the product. Chlorine causes corrosion on such metal surfaces.

Protection of plastic surfaces

- ℹ Do not put the liquid oils or oil-cooked meals in your refrigerator in unsealed containers as they damage the plastic surfaces of your refrigerator. In case of spilling or smearing oil on the plastic surfaces, clean and rinse the relevant part of the surface at once with warm water.

7 Troubleshooting

Please review this list before calling the service. It will save your time and money. This list includes frequent complaints that are not arising from defective workmanship or material usage. Some of the features described here may not exist in your product.

The refrigerator does not operate.

- The plug is not inserted into the socket correctly. >>>Insert the plug into the socket securely.
- The fuse of the socket which your refrigerator is connected to or the main fuse have blown out. >>>Check the fuse.

Condensation on the side wall of the fridge compartment (MULTIZONE, COOL CONTROL and FLEXI ZONE).

- Ambient is very cold. >>>Do not install the refrigerator in places where the temperature falls below 10°C.
- Door has been opened frequently. >>>Do not open and close the door of refrigerator frequently.
- Ambient is very humid. >>>Do not install your refrigerator into highly humid places.
- Food containing liquid is stored in open containers. >>>Do not store food with liquid content in open containers.
- Door of the refrigerator is left ajar. >>>Close the door of the refrigerator.
- Thermostat is set to a very cold level. >>>Set the thermostat to a suitable level.

Compressor is not running

- Protective thermic of the compressor will blow out during sudden power failures or plug-out plug-ins as the refrigerant pressure in the cooling system of the refrigerator has not been balanced yet. The refrigerator will start running approximately after 6 minutes. Please call the service if the refrigerator does not startup at the end of this period.
- The fridge is in defrost cycle. >>>This is normal for a full-automatically defrosting refrigerator. Defrosting cycle occurs periodically.
- The refrigerator is not plugged into the socket. >>>Make sure that the plug is fit into the socket.
- Temperature settings are not made correctly. >>>Select the suitable temperature value.
- There is a power outage. >>>Refrigerator returns to normal operation when the power restores.

The operation noise increases when the refrigerator is running.

- The operating performance of the refrigerator may change due to the changes in the ambient temperature. It is normal and not a fault.

The refrigerator is running frequently or for a long time.

- New product may be wider than the previous one. Larger refrigerators operate for a longer period of time.
- The room temperature may be high. >>>It is normal that the product operates for longer periods in hot ambient.
- The refrigerator might be plugged in recently or might be loaded with food. >>>When the refrigerator is plugged in or loaded with food recently, it will take longer for it to attain the set temperature. This is normal.
- Large amounts of hot food might be put in the refrigerator recently. >>>Do not put hot food into the refrigerator.
- Doors might be opened frequently or left ajar for a long time. >>>The warm air that has entered into the refrigerator causes the refrigerator to run for longer periods. Do not open the doors frequently.
- Freezer or fridge compartment door might be left ajar. >>>Check if the doors are closed completely.
- The refrigerator is adjusted to a very low temperature. >>>Adjust the refrigerator temperature to a warmer degree and wait until the temperature is achieved.
- Door seal of the fridge or freezer may be soiled, worn out, broken or not properly seated. >>>Clean or replace the seal. Damaged/broken seal causes the refrigerator to run for a longer period of time in order to maintain the current temperature.

Freezer temperature is very low while the fridge temperature is sufficient.

- The freezer temperature is adjusted to a very low value. >>>Adjust the freezer temperature to a warmer degree and check.

Fridge temperature is very low while the freezer temperature is sufficient.

- The fridge temperature is adjusted to a very low value. >>>Adjust the fridge temperature to a warmer degree and check.

Food kept in the fridge compartment drawers is frozen.

- The fridge temperature is adjusted to a very high value. >>>Adjust the fridge temperature to a lower value and check.

Temperature in the fridge or freezer is very high.

- The fridge temperature is adjusted to a very high value. >>>Fridge compartment temperature setting has an effect on the temperature of the freezer. Change the temperatures of the fridge or freezer and wait until the relevant compartments attain a sufficient temperature.
- Doors are opened frequently or left ajar for a long time. >>>Do not open the doors frequently.
- Door is ajar. >>>Close the door completely.
- The refrigerator is plugged in or loaded with food recently. >>>This is normal. When the refrigerator is plugged in or loaded with food recently, it will take longer for it to attain the set temperature.
- Large amounts of hot food might be put in the refrigerator recently. >>>Do not put hot food into the refrigerator.

Vibrations or noise.
<ul style="list-style-type: none"> • The floor is not level or stable. >>> If the refrigerator rocks when moved slowly, balance it by adjusting its feet. Also make sure that the floor is strong enough to carry the refrigerator, and level. • The items put onto the refrigerator may cause noise. >>>Remove the items on top of the refrigerator.
There are noises coming from the refrigerator like liquid flowing, spraying, etc.
<ul style="list-style-type: none"> • Liquid and gas flows occur in accordance with the operating principles of your refrigerator. It is normal and not a fault.
Whistle comes from the refrigerator.
<ul style="list-style-type: none"> • Fans are used in order to cool the refrigerator. It is normal and not a fault.
Condensation on the inner walls of refrigerator.
<ul style="list-style-type: none"> • Hot and humid weather increases icing and condensation. It is normal and not a fault. • Doors are opened frequently or left ajar for a long time. >>>Do not open the doors frequently. Close them if they are open. • Door is ajar. >>>Close the door completely.
Humidity occurs on the outside of the refrigerator or between the doors.
<ul style="list-style-type: none"> • There might be humidity in the air; this is quite normal in humid weather. When the humidity is less, condensation will disappear.
Bad odour inside the refrigerator.
<ul style="list-style-type: none"> • No regular cleaning is performed. >>>Clean the inside of the refrigerator regularly with a sponge, lukewarm water or carbonate dissolved in water. • Some containers or package materials may cause the smell. >>>Use a different container or different brand packaging material. • Food is put into the refrigerator in uncovered containers. >>>Keep the food in closed containers. Microorganisms spreading out from uncovered containers can cause unpleasant odours. • Remove the foods that have expired best before dates and spoiled from the refrigerator.
The door is not closing.
<ul style="list-style-type: none"> • Food packages are preventing the door from closing. >>>Replace the packages that are obstructing the door. • The refrigerator is not completely even on the floor. >>>Adjust the feet to balance the refrigerator. • The floor is not level or strong. >>>Make sure that the floor is level and capable to carry the refrigerator.
Crispers are stuck.
<ul style="list-style-type: none"> • The food is touching the ceiling of the drawer. >>>Rearrange food in the drawer.

Official representative on the territory of Ukraine: Beko Ukraine LLC address:
Business Park "EUROPASAGE" Sim'i Prakhovykh Street, 58/10, 1-th floor, Kyiv,01033,
tel / fax: 0-800-500-4-3-2.
Production Location:"S.C. Arctic S.A.", Gaesti, str.13 Decembrie №210, Romania.

Спочатку прочитайте цю інструкцію!

Шановний покупцю!

Сподіваємося, що цей пристрій, виготовлений на сучасних підприємствах і перевірений за допомогою найприскіпливіших процедур контролю якості, ефективно слугуватиме вам у побуті.

Для цього просимо уважно прочитати цю інструкцію до кінця, перш ніж користуватися холодильником, і зберегти її в довідкових цілях. Якщо ви передаєте холодильник іншому користувачеві, передайте йому також інструкцію користувача.




Інструкція користувача допоможе вам користуватися пристроєм у швидкий і безпечний спосіб.

- Прочитайте інструкцію, перш ніж встановлювати холодильник і користуватися ним.
- Обов'язково прочитайте правила техніки безпеки.
- Зберігайте інструкцію в легкодоступному місці, оскільки вона може знадобитися вам пізніше.
- Прочитайте також інші документи, що постачаються разом із холодильником.

Пам'ятайте, що цю інструкцію також можна застосовувати до деяких інших моделей. Відмінності між моделями будуть визначені в інструкції.

Пояснення символів

У цій інструкції користувача використовуються наступні символи:

-  Важлива інформація або корисні поради.
-  Попередження про небезпечні ситуації для життя та майна.
-  Попередження про електричну напругу.



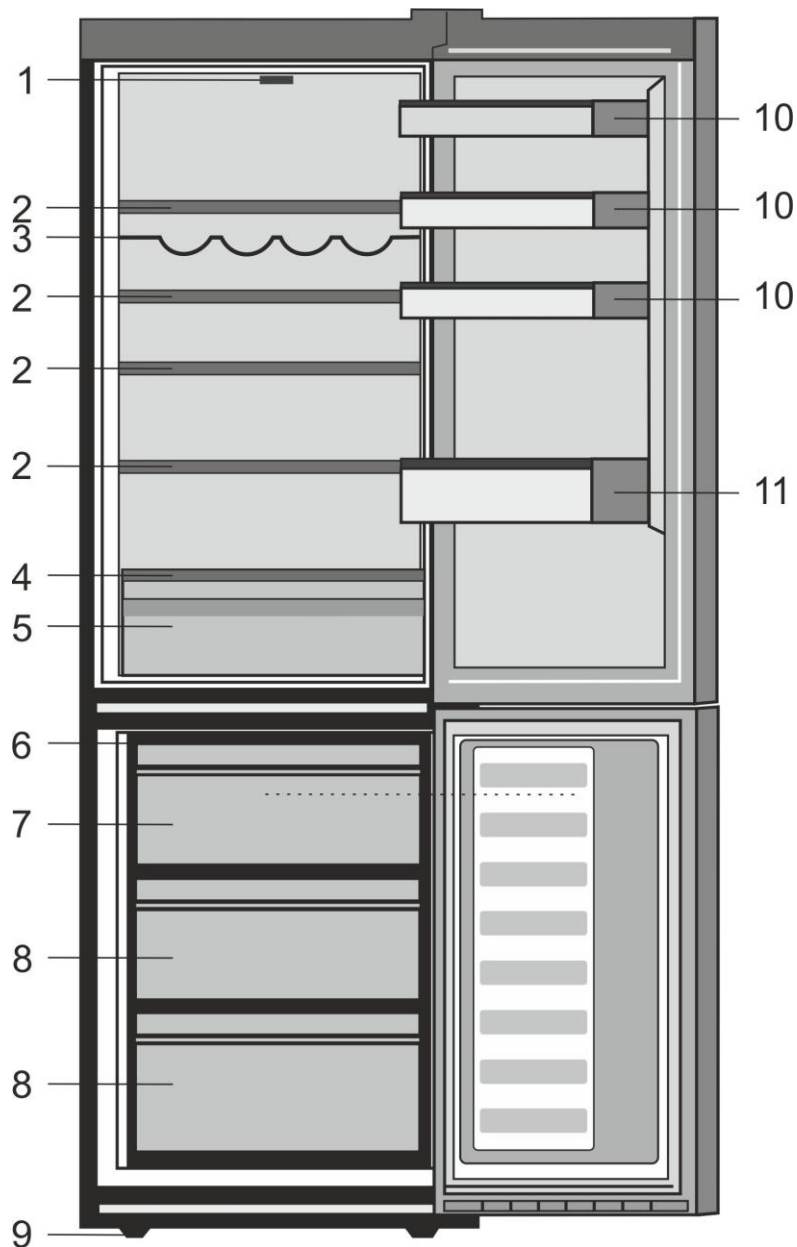
УВАГА!

Для того, щоб забезпечити нормальну роботу Вашого холодильника, в якому використовується охолоджуючий реагент R600a, абсолютно нешкідливий для навколишнього середовища (займається лише за певних умов), Вам необхідно дотримуватися наступних правил..

- Не створюйте перепон для вільної циркуляції повітря навколо холодильника.
- Не користуйтеся жодними механічними пристроями та інструментами для видалення льоду під час розморожування холодильника, окрім тих, що рекомендовані виробником.
- Не допускайте пошкодження охолоджуючого контура.
- Не встановлюйте всередину холодильного відділення, де зберігаються продукти, жодних електричних пристроїв, окрім тих, що рекомендовані виробником.

1	Опис холодильника	3	4	Підготовка	10
2	Важливі вказівки з техніки безпеки	4	5	Використання холодильника	11
	Застосування за призначенням	4		Кнопка регулювання термостата...	11
	Загальні правила техніки безпеки	4		Розморожування.....	11
	Для пристроїв із дозатором води	6		Заморожування свіжих продуктів ...	12
	Безпека дітей	6		Перенавішування дверцят	13
	Відповідність нормам і правилам щодо відпрацьованого електричного й електронного обладнання (норма WEEE) та утилізація відходів	6		Рекомендації для збереження	14
	Інформація про упаковку	7		Рекомендації щодо відділення	14
	Попередження НСА	7	6	Обслуговування та чищення	15
	Як заощадити електроенергію	7		Захист пластикових поверхонь	15
3	Встановлення	8	7	Усунення несправностей	16
	Що слід врахувати під час пересування холодильника	8			
	Перед увімкненням холодильника.....	8			
	Підключення до електромережі	8			
	Утилізація упаковки	8			
	Утилізація вашого старого Холодильника	9			
	Розміщення та встановлення	9			
	Заміна лампочки освітлення	9			
	Регулювання ніжок	9			

1 Опис холодильника



- | | |
|--|--|
| 1. Ручка налаштування і внутрішнє освітлення | 8. Відділення швидкого заморожування |
| 2. Знімні полиці відділення | 9. Відділення для зберігання заморожених продуктів |
| 3. Підтримуються пляшки вина | 10. Полиці для банок |
| 4. Захисне скло | 11. Полиця для пляшок |
| 5. Салатні чіпси | |
| 6. Лоток для льоду | |
| 7. Відділення для швидкого заморожування | |

i Ілюстрації в цьому посібнику є схематичними і можуть відрізнятися від певної моделі виробу. Якщо до комплектації моделі, яку ви придбали, не входять вказані деталі, вони призначені для інших моделей.

Ознайомтеся з наведеною нижче інформацією.

Ігнорування цієї інформації може призвести до травмування чи матеріальних збитків.

В такому разі гарантія і будь-які зобов'язання виробника стосовно надійної роботи пристрою будуть анульовані.

Оригінальні запасні частини будуть постачатися протягом 10 років з моменту придбання виробу.

Застосування за призначенням

- Цей пристрій призначено для використання в закритих приміщеннях, таких як житлові будинки;
- у закритих робочих приміщеннях, наприклад, у магазинах чи офісах;
- у закритих жилих приміщеннях, наприклад, у замських будинках, готелях, пансіонатах.
- Його не можна використовувати поза приміщенням.

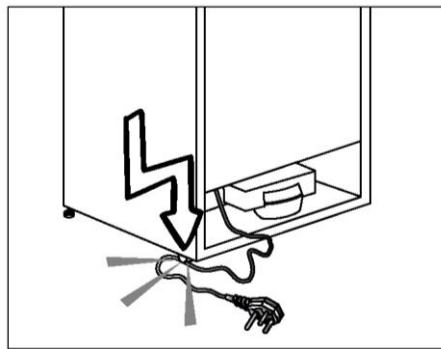
Загальні правила техніки безпеки

- Якщо ви хочете утилізувати/ліквідувати виріб, рекомендуємо звернутися до уповноваженої сервісної служби для отримання необхідної інформації та компетентних органів.
- З усіма питаннями та проблемами стосовно холодильника звертайтеся до уповноваженої сервісної служби. Без повідомлення уповноваженої сервісної служби не втручайтеся в роботу холодильника й не дозволяйте робити це іншим.
- Для пристроїв з морозильним відділенням: не їжте морозиво та кубики льоду одразу після виймання їх з морозильного відділення! (Це може викликати обмороження ротової порожнини.)

- Для пристроїв з морозильним відділенням: не ставте рідкі напої в пляшках чи банках до морозильного відділення. Вони можуть лопнути.
- Не торкайтеся руками заморожених продуктів, оскільки вони можуть примерзнути до шкіри.
- Перед чисткою чи розморожуванням від'єднуйте холодильник від електромережі.
- Не використовуйте пару та засоби для чищення, які можуть випаруватися, для чищення та розморожування вашого холодильника. У такому випадку пара може потрапити на електричні частини та викликати коротке замикання чи удар електричним струмом.
- Не використовуйте дверцята й подібні частини холодильника як підставку чи опору.
- Не використовуйте електричні прилади всередині холодильника.
- Не допускайте пошкодження частин, у яких циркулює холодоагент, ріжучими чи свердловальними інструментами. Холодоагент може з'явитися із випаровувача, на трубопроводі чи на покриттях і викликати подразнення шкіри чи ураження очей.
- Не накривайте й не закупорюйте нічим вентиляційні отвори вашого холодильника.
- Ремонт електроприладів мають виконувати тільки кваліфіковані фахівці. Ремонт, виконаний недосвідченими особами, може спричинити ризик для користувача.
- У випадку несправностей, під час обслуговування чи ремонту вимкніть холодильник, вимкнувши відповідний запобіжник чи вийнявши з розетки шнур живлення.
- Для від'єднання від мережі не тягніть за кабель.

- Міцні напої слід зберігати щільно закритими й у вертикальному положенні.
- Суворо заборонено зберігати в холодильнику аерозолі з горючими чи вибухонебезпечними речовинами.
- Не застосовуйте механічні пристрої або інші засоби, крім рекомендованих виробником, для прискорення розмороження.
- Цей електроприлад не призначений для використання особами (у тому числі дітьми) з обмеженими фізичними, сенсорними або розумовими можливостями чи з браком досвіду і знань, якщо вони не перебувають під наглядом або не пройшли інструктаж щодо користування пристроєм від відповідальної за їхню безпеку особи.
- Не використовуйте несправний холодильник. У разі виникнення запитань звертайтеся до кваліфікованого фахівця.
- Електрична безпека може гарантуватися лише в тому випадку, якщо система заземлення у вашому будинку відповідає чинним стандартам.
- Вплив на пристрій дощу, снігу, сонця та вітру небезпечний з точки зору електробезпеки.
- Зверніться до сервісної служби, якщо пошкоджено шнур живлення, щоб уникнути небезпеки.
- Не вмикайте холодильник в розетку під час його встановлення. Існує ризик смертельного випадку або серйозних ушкоджень.
- Цей холодильник призначений лише для зберігання харчових продуктів. Його не слід використовувати з будь-якою іншою метою.
- Табличка з описом технічних характеристик виробу розташована ліворуч на внутрішній стінці холодильника.

- Не підключайте холодильник до електронних систем енергозбереження, оскільки це може призвести до несправності виробу.
- Якщо в холодильнику є синє підсвічування, не дивіться на нього через оптичні пристрої.
- У разі відключення холодильників із ручним управлінням від мережі електроживлення зачекайте щонайменше 5 хвилин, перш ніж підключати живлення.
- У разі продажу виробу цю інструкцію з експлуатації слід передати новому власнику.
- Під час транспортування холодильника не пошкоджуйте шнур живлення. Згинання шнура живлення може спричинити пожежу. Не ставте на шнур живлення важкі речі.
- Під'єднуючи холодильник до електромережі, не торкайтеся штепсельної вилки вологими руками.



- Не підключайте холодильник до незакріпленої стінної розетки електромережі.
- Із міркувань безпеки не допускайте потрапляння води на зовнішні або внутрішні частини холодильника.

- Не розбризкуйте поряд із холодильником вогнебезпечні матеріали, такі як газ пропан, через ризик пожежі та вибуху.
- Не ставте посуд з водою на холодильник, оскільки проливання може призвести до ураження електричним струмом або пожежі.
- Не завантажуйте у пристрій забагато їжі. Якщо холодильник перевантажено, продукти можуть випасти під час відчинення дверцят і травмувати вас чи пошкодити холодильник.
- Не кладіть предмети на холодильник, оскільки вони можуть впасти під час відчинення або зачинення дверцят.
- У холодильнику не можна зберігати речовини, що вимагають певних температурних умов (вакцини, термочутливі медикаменти, наукові матеріали тощо).
- Холодильник слід від'єднати від електромережі, якщо він не буде використовуватися протягом тривалого часу. Можливі несправності шнура живлення можуть призвести до пожежі.
- Необхідно регулярно очищати кінці вилки шнура живлення сухою тканиною; недотримання цієї вимоги може стати причиною пожежі.
- Холодильник може переміщатися, якщо регульовані ніжки не зафіксовано на підлозі. Фіксація регульованих ніжок на підлозі може запобігти його переміщенню.
- Під час переміщення холодильника не тримайте його за ручку, бо вона може зламатися.
- У разі встановлення холодильника відстань між ним й іншим холодильником чи морозильником має становити щонайменше 8 см. В іншому разі бічні стінки, що прилягають, зволожуватимуться.

Для пристроїв із дозатором води:

Тиск у водогінній лінії не має бути нижчим за 1 бар. Тиск у водогінній лінії не повинен перевищувати 8 бар.


- Використовуйте лише питну воду.

Безпека дітей

- Якщо на дверцятах є замок, тримайте ключ у місці, недосяжному для дітей.
- Слід наглядати за дітьми та не дозволяти їм псувати пристрій.

Відповідність нормам і правилам щодо відпрацьованого електричного та електронного обладнання (норма WEEE) і утилізація відходів



Символ  на виробі чи упаковці вказує, що цей прилад не слід утилізувати з побутовими відходами. Натомість його слід здати на відповідний пункт збору для утилізації електричного та електронного обладнання. Правильна утилізація виробу допоможе попередити можливі негативні наслідки для екології та здоров'я людей, які можуть виникнути внаслідок неналежного перероблення пристрою. За більш докладною інформацією щодо утилізації цього виробу зверніться до місцевої адміністрації, служби утилізації побутових відходів або до магазину, в якому був придбаний прилад.

Інформація про упаковку

Упаковка цього приладу виготовлена з матеріалів, які підлягають повторній переробці згідно з національними нормами й правилами щодо охорони довкілля. Не утилізуйте пакувальні матеріали разом із побутовими та іншими відходами. Їх слід здати в один з пунктів збору пакувальних матеріалів, визначених місцевими органами влади.

Пам'ятайте...

Повторне використання матеріалів надзвичайно важливе для природи та наших національних ресурсів.

Якщо ви бажаєте посприяти повторному використанню матеріалів упаковки, ви можете отримати більше інформації від органів охорони довкілля або від органів місцевої влади.

Попередження НСА

Якщо система охолодження вашого пристрою містить R600a:


цей газ займистий. Тому будьте уважні, не допускайте пошкодження системи охолодження та труб під час використання і транспортування. У випадку пошкодження пристрою зберігайте його подалі від потенційного джерела займання та провітрюйте приміщення, в якому знаходиться пристрій.

Тип газу, що використовується пристроєм, вказаний на паспортній табличці, розташованій ліворуч на внутрішній стінці холодильника.

Не спалюйте пристрій з метою утилізації.

Як заощадити електроенергію

- Не залишайте дверцята холодильника відчиненими протягом тривалого часу.
- Не завантажуйте у холодильник гарячі продукти та напої.
- Не перевантажуйте холодильник, щоб не заважати циркуляції повітря всередині.
- Не встановлюйте холодильник під прямим сонячним промінням чи поблизу джерела тепла, наприклад, плити, посудомийної машини чи радіатора опалення. Холодильник слід встановити на відстані щонайменше 30 см від джерел тепла та не менше 5 см від електричних плит.
- Слідкуйте за тим, щоб продукти зберігалися у закритих контейнерах.
- Для пристроїв із морозильним відділенням: у морозильне відділення холодильника можна завантажити максимальну кількість продуктів, якщо дістати з нього полицю чи висувний контейнер. Указане в технічних характеристиках енергоспоживання холодильника визначено за умови, що полиця чи ящик морозильного відділення вийняті, й у нього завантажено максимально можливу кількість продуктів. Полицю чи висувний контейнер можна використовувати відповідно до форми й розміру продуктів для заморожування.
- Розморожування заморожених продуктів у холодильному відділенні забезпечить економію електроенергії та збереження якості продуктів.

 У випадку, якщо інформація є Дані в посібнику користувача не є Враховуючи, виробник буде не бере на себе ніякої відповідальності за це.

Що слід врахувати під час пересування холодильника

1. Холодильник слід від'єднати від електромережі. Перед транспортуванням холодильника його необхідно спорожнити й очистити.
2. Перед пакуванням полиці, контейнер для овочів і фруктів та інші приналежності всередині холодильника необхідно зафіксувати клейкою стрічкою та захистити від струсів. Упаковка повинна бути перев'язана товстою стрічкою або міцними мотузками; також необхідно дотримуватися правил транспортування, надрукованих на упаковці.
3. Оригінальну упаковку та плівку слід зберегти для транспортування чи переміщення холодильника в майбутньому.

Перед увімкненням холодильника

Перед початком експлуатації холодильника переконайтеся, що:

1. Вимийте внутрішню частину холодильника, як рекомендовано в розділі «Обслуговування й чищення».
2. Вставте штепсельну вилку холодильника до настінної розетки. Якщо дверцята холодильника відкриті, вмикається внутрішня лампа.
3. Під час запуску компресора буде чути шум. Рідина та газу всередині холодної системи також можуть створювати шум, навіть якщо компресор не працює, що є цілком нормальним явищем.
4. Передні кромки холодильника можуть бути теплими на дотик. Це нормально. Ці області мають нагріватися, щоб уникнути конденсації.

Підключення до електромережі

Підключіть холодильник до заземленої розетки, захищеної плавким запобіжником відповідної потужності. Важливе зауваження:

Підключення має відповідати національним нормам і правилам.

- Після встановлення холодильника має бути забезпечений легкий доступ до штепселя шнура живлення.
- Електрична безпека може гарантуватися лише в тому випадку, якщо система заземлення у вашому будинку відповідає чинним стандартам.
- Напруга, вказана на табличці, що розташована всередині приладу з лівого боку, має відповідати напрузі вашої електромережі.
- **Для підключення не слід використовувати подовжувачі та мережеві фільтри.**

⚠ У разі пошкодження шнура живлення його заміну має здійснювати кваліфікований електрик.

⚠ Забороняється користуватися холодильником, доки його не буде відремонтовано! Існує небезпека ураження електричним струмом!

Утилізація упаковки

Пакувальні матеріали можуть становити небезпеку для дітей. Зберігайте пакувальні матеріали у недоступному для дітей місці, або утилізуйте їх, розсортувавши відповідно до інструкцій з утилізації відходів, наданих місцевими органами влади. Не викидайте їх разом із побутовими відходами, здайте їх на пункт збору пакувальних матеріалів, визначений місцевими органами влади.

Упаковка вашого холодильника вироблена з матеріалів, що можуть бути використані повторно.

Утилізація вашого старого холодильника

Утилізуйте старий холодильник, не завдаючи шкоди довкіллю.

- З питань щодо утилізації холодильника ви можете звернутися до пункту збору відходів вашого населеного пункту.

Перед утилізацією холодильника відріжте штепсель шнура, а також виведіть з ладу замки (якщо такі існують) дверцят, щоб захистити дітей від небезпеки зачинення всередині.

Розміщення та встановлення

⚠ Якщо двері приміщення, в якому буде встановлено холодильник, недостатньо широкі, зверніться до сервісної служби; її співробітники допоможуть зняти двері з холодильника та пронести його боком.

1. Встановлюйте холодильник у місці, зручному для його використання.
2. Холодильник має знаходитися в місці, віддаленому від джерела тепла, впливу підвищеної вологості та прямих сонячних променів.
3. Для ефективнішої роботи необхідно забезпечити належну вентиляцію навколо холодильника. Якщо холодильник встановлюється в ніші стіни, мінімальна відстань має бути 5 см до стелі та 5 см до стіни. Не встановлюйте виріб на килими, килимові покриття та інші подібні поверхні.
4. Холодильник має стояти на рівній поверхні, щоб не виникало трясіння.

Заміна лампочки освітлення

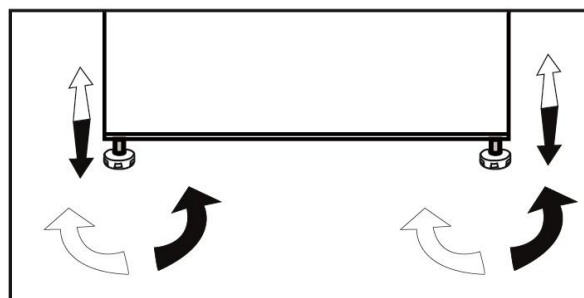
Для заміни лампи/світлодіодного індикатора освітлення холодильника зверніться до авторизованого сервісного центру.

Лампа (лампи), використувувана в цьому пристрої, непридатна для домашнього освітлення. Вона призначена для того, щоб полегшити користувачеві безпечно й зручне розміщення харчових продуктів у холодильному/морозильному відділенні.

Лампи, що використовуються у цьому пристрої, повинні витримувати важкі умови експлуатації, такі як температура нижче -20°C .

Регулювання ніжок

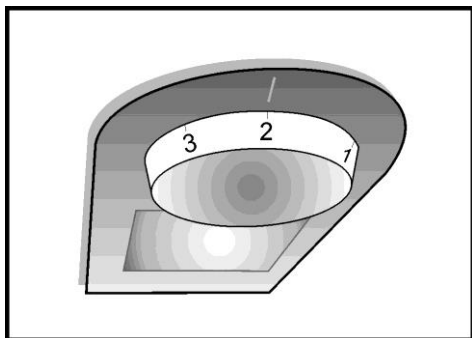
Якщо холодильник не збалансовано; Ви можете збалансувати холодильник, обертаючи його передні ніжки, як показано на малюнку. Кут холодильника, в якому знаходиться ніжка, опускатиметься, якщо повертати в напрямку чорної стрілки, і підійматиметься, якщо повертати у зворотному напрямку. Якщо хтось допоможе трохи підняти холодильник, це полегшить процес.



4 Підготовка

- Ваш холодильник слід встановити щонайменше на відстані 30 см від джерел тепла, таких як газові конфорки, плити, батареї центрального опалення й печі, та щонайменше 5 см від електричних плит, у місці, куди не потрапляє пряме сонячне світло.
- Температура повітря в приміщенні, де ви встановлюєте холодильник, має бути не менше 10°C. Використовувати холодильник при нижчій температурі не рекомендується у зв'язку з його незначною ефективністю в таких умовах.
- Переконайтеся в тому, що всередині холодильник ретельно вимитий.
- Якщо два холодильники встановлюються поряд, між ними має бути відстань не менше 2 см.
- Під час першого увімкнення холодильника дотримуйтеся вказаних інструкцій протягом перших шести годин роботи.
- Не відчиняйте часто дверцята.
- Холодильник мусить працювати порожнім, без продуктів усередині.
- Не відключайте холодильник від електромережі. Якщо сталося порушення електропостачання, див. застереження у розділі "Рекомендації з вирішення проблем".
- Оригінальну упаковку та плівку слід зберегти для транспортування чи переміщення холодильника в майбутньому.

5 Використання холодильника



Кнопка регулювання термостата

Температура всередині холодильника змінюється з наступних причин:

- сезонні коливання температури;
- часте відчинення дверцят або залишення їх відчиненими впродовж тривалого часу;
- розміщення в холодильнику продуктів, без попереднього охолодження до кімнатної температури;
- розміщення холодильника в приміщенні (наприклад, під променями світла).
- Ви можете регулювати зміни внутрішньої температури, внаслідок таких причин, за допомогою термостата.

Робочі температури регулюються за допомогою ручки термостата та можуть встановлюватися в будь-яке положення від 0 до 5 (положення найбільшого холоду).

Середня температура всередині холодильного відділення повинна становити приблизно $+5\text{ }^{\circ}\text{C}$ ($+41\text{ }^{\circ}\text{F}$). З огляду на це, відрегулюйте термостат для отримання необхідної температури. Деякі сектори холодильного відділення можуть бути холоднішими або теплішими (наприклад, відділення для зелені та верхня частина відділення), що є цілком нормальним явищем. Ми рекомендуємо періодично перевіряти температуру за допомогою термометра, щоб переконатись, що у відділенні зберігається необхідна температура.

Часте відчинення дверцят може спричинити підвищення внутрішньої температури, тому рекомендується, після використання холодильника, якомога швидше зачиняти їх.

Розморожування

А) Холодильне відділення

Розморожування холодильного відділення виконується автоматично. Під час охолодження вашого холодильника на задній стінці холодильного відділення можуть утворюватися краплі води, а також шар інею завтовшки до 7–8 мм. Це нормальна ситуація, яка є наслідком роботи системи охолодження. Утворення інею періодично розморожується за допомогою автоматичної системи розморожування, вбудованої в задню стінку холодильної камери. Користувачу не потрібно зчищати іній чи витирати краплі води самотійно. Вода, що утворюється під час розморожування, стікає в жолобок для води й через зливну трубку потрапляє до випарника, де поступово випаровується.

Регулярно перевіряйте чи не засмітилась зливна трубка, та у разі необхідності прочищайте її прутком через отвір. Автоматичне розморожування не застосовується для морозильного відділення, щоб запобігти псуванню заморожених продуктів.

Б) Морозильне відділення

Процедура розморожування дуже проста й не завдає жодного клопоту завдяки наявності спеціального контейнера для збирання талої води. Розморожування слід виконувати двічі на рік або у випадку утворення шару інею завтовшки близько 7 мм (1/4 дюйма).

Щоб розпочати процедуру розморожування, вимкніть електроприлад і витягніть вилку кабелю живлення з розетки електромережі.

Усі продукти слід загорнути в декілька шарів газети та зберігати у прохолодному місці (наприклад, у холодильнику або в коморі).

Для прискорення розморожування в морозильне відділення можна обережно поставити посудини з теплою водою.

Не слід застосовувати для видалення інею колючі чи гострі предмети, такі як ножі або виделки.

Ніколи не використовуйте для розморожування фени, електричні обігрівачі та інші подібні електроприлади.

Талу воду, яка накопичується внизу морозильного відділення, можна зібрати губкою. Після розморожування витріть насухо внутрішню поверхню відділення. Вставте штепсель у стінну розетку, підключивши таким чином прилад до джерела живлення.

Заморожування свіжих продуктів

- Загорніть або накрийте продукти, перш ніж завантажувати їх у холодильник.
- Перш ніж класти гарячі продукти у холодильник, дайте їм охолонути до кімнатної температури.
- Заморожувані продукти мають бути свіжими та якісними.
- Продукти слід розділити на порції відповідно до щоденних потреб родини або до використання для приготування страв.
- Продукти мають бути герметично упаковані для запобігання висиханню, навіть якщо зберігати їх заплановано недовго.

- Матеріали для упаковки мають бути стійкими до холоду і вологості, а також герметичними. Матеріали для упаковки їжі мають бути достатньо товстими та міцними. В протилежному випадку їжа, що стала твердою через замерзання, може проколоти упаковку. Для безпечного зберігання їжі важливо, щоб упаковку було щільно закрито.

- Заморожені продукти слід використати одразу після відтанення, і не слід заморожувати їх знову.

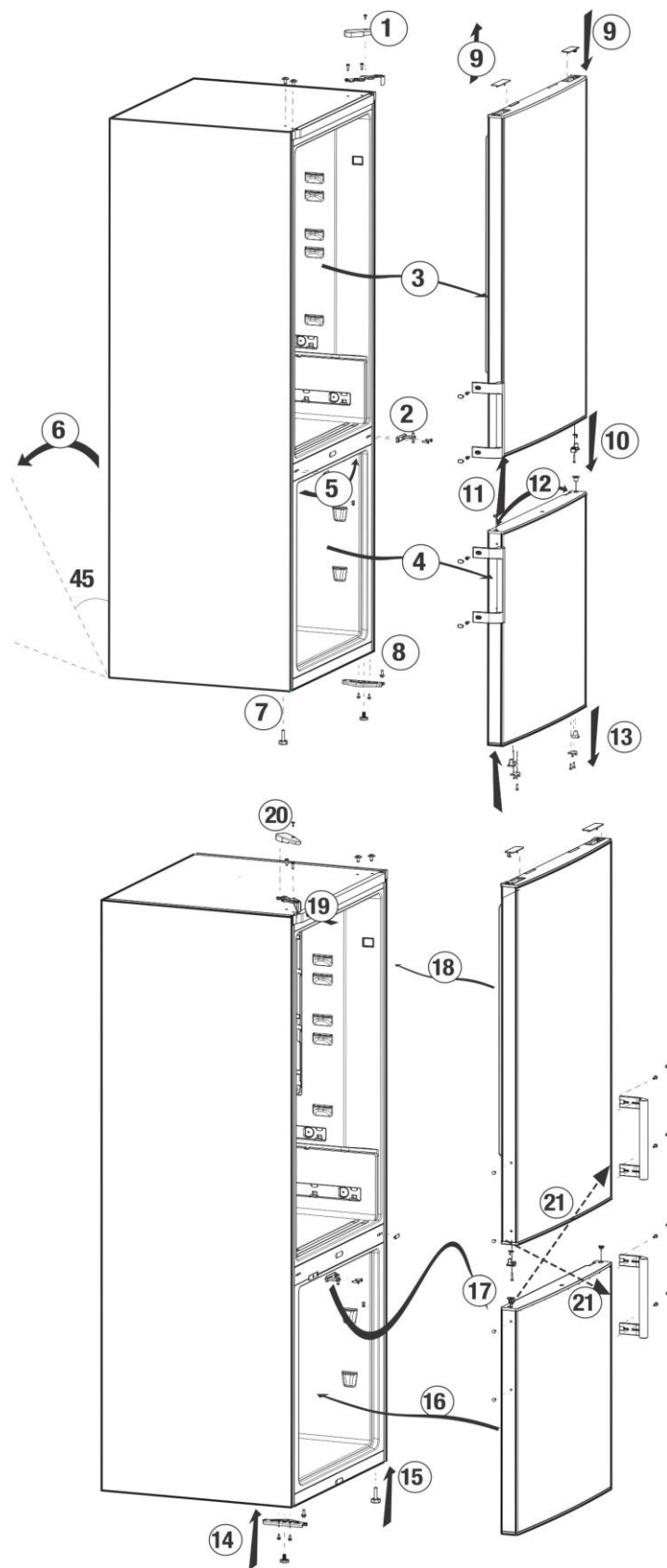
- Розміщення теплих продуктів у морозильному відділенні примушує компресор холодильника працювати безперервно, до повного заморожування продуктів.

- Для досягнення найкращих результатів дотримуйтеся наведених нижче вказівок.

1. Не заморожуйте одночасно надто велику кількість продуктів. Якість продуктів підтримується найкращим чином, якщо вони глибоко та якнайшвидше промерзають.
2. Зверніть особливу увагу на те, що не можна змішувати вже заморожені та свіжі продукти.
3. Переконайтеся, що сирі продукти не контактують із приготовленою їжею в холодильнику.
4. Щоб у максимальній мірі використовувати простір морозильної камери для зберігання продуктів, слід вийняти з неї висувні контейнери. Дані про енергоспоживання холодильника наведені для умов, коли полиці морозильної камери повністю завантажені без використання ящиків. Дротова полиця внизу морозильної камери необхідна для досягнення найкращої енергоефективності.
5. Для початкового заморожування рекомендується класти продукти на верхню полицю морозильного відділення.

Перенавішування дверцят

Виконайте дії в послідовності, вказаній на схемі.



Інформація про глибоке заморожування

Продукти, розміщені в холодильнику, мають бути заморожені якомога швидше, щоб зберегти їх у гарній якості.

Норми TSE вимагають (відповідно до деяких умов), щоб холодильник міг заморозити не менш ніж 4,5 кг продуктів за умов температури повітря 32°C до температури -18 °C і нижче за 24 години на кожні 100 літрів об'єму холодильника.

Продукти можна зберігати тривалий час тільки при температурі -18°C і нижче.

Ви можете зберігати продукти свіжими протягом багатьох місяців (за температури -18 °C і нижче в умовах глибокого заморожування).

ПОПЕРЕДЖЕННЯ! ⚠

- Продукти слід розділити на порції відповідно до щоденних потреб родини або до використання для приготування страв.
- Продукти мають бути герметично упаковані для запобігання висиханню, навіть якщо зберігати їх заплановано недовго.

Матеріали, необхідні для пакування:

- Холодостійка клейка стрічка
- Етикетка з клейкою поверхнею
- Гумові кільця
- Авторучка

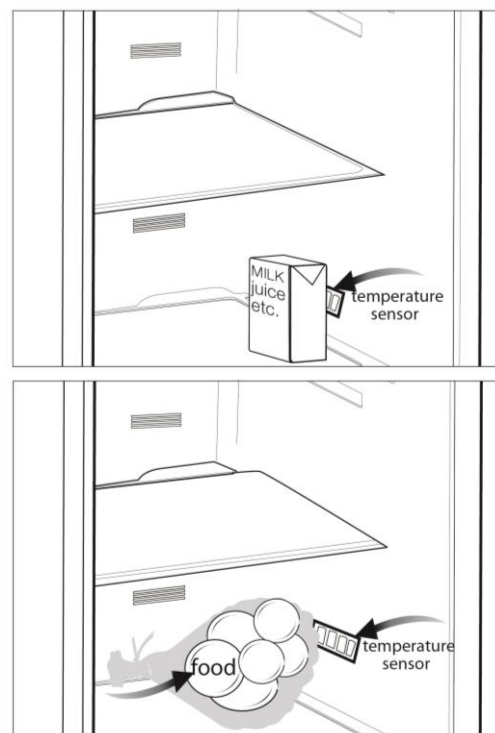
Матеріали для упаковки продуктів мають бути міцними та стійкими до холоду, вологості, запаху, олій і кислот.

Продукти, призначені для заморожування, не повинні торкатися вже заморожених продуктів, щоб запобігти їх частковому таненню. Розморожені продукти необхідно вжити в їжу, їх не можна заморожувати повторно.

Рекомендації щодо відділення свіжих продуктів

*опція

- Не допускайте, щоб продукти торкалися датчика температури у відділенні свіжих продуктів. Щоб підтримувати у відділенні свіжих продуктів ідеальну температуру для зберігання, продукти не повинні заважати датчику.
- Не кладіть у холодильник гарячі продукти.



- ⚠ Не використовуйте бензин чи подібні матеріали для чищення.
- ⚠ Перед виконанням чищення рекомендуємо від'єднати холодильник від електромережі.
- ⚠ Заборонено використовувати для чистки гострі абразивні інструменти, мило, засоби для видалення плям, миючі засоби та поліролі на основі воску.
- ℹ Промийте шафу холодильника ледь теплою водою та витріть насухо.
- ℹ Для мийки відділень усередині холодильника користуйтеся ганчіркою, змоченою у розчині, який складається з чайної ложки питної соди на півлітра води, потім витріть їх насухо.
- ⚠ Слідкуйте, щоб вода не потрапила до корпусу лампочки та в інші електричні прилади.
- ⚠ Якщо прилад не буде використовуватися протягом тривалого часу, вимкніть його з електромережі, звільніть від усіх продуктів, протріть і залиште дверцята відчиненими.
- ℹ Регулярно перевіряйте, чи не забруднений шматочками їжі ущільнювач на дверях.
- ⚠ Для зняття лотка у дверях розвантажте його, а потім просто підштовхніть угору.
- ⚠ У жодному разі не використовуйте засобів для чищення чи води, які містять хлор, для чищення зовнішніх поверхонь або хромованих деталей виробу. Хлор викликає корозію таких металевих поверхонь.

Захист пластикових поверхонь

- ℹ Не зберігайте рідкі олії чи продукти з додаванням олії в холодильнику у відкритому вигляді чи негерметичній упаковці, оскільки вони можуть зіпсувати пластикові поверхні холодильника. У разі потрапляння олії на пластикову поверхню витріть і очистіть цю частину поверхні теплою водою.

7 Усунення несправностей

Перш ніж звертатися до сервісної служби, ознайомтеся з цим списком. Це допоможе вам заощадити час і гроші. Цей перелік містить найчастіші несправності, які не викликані неякісним виробництвом і матеріалами. Деякі з наведених функцій можуть бути відсутні у вашому виробі.

Холодильник не працює.

- Штепсель не вставлено до розетки, як слід. >>> Надійно вставте штепсель до розетки.
- Перегорів плавкий запобіжник розетки, до якої підключено холодильник, або запобіжник електромережі. >>> Перевірте запобіжник.

Конденсація на боковій стінці холодильного відділення (MULTI ZONE, COOL CONTROL і FLEXI ZONE).

- Надто низька навколишня температура. >>> Не встановлюйте холодильник у місцях, де температура падає нижче 10°C.
- Часто відчинялися дверцята. >>> Не відчиняйте і не зачиняйте дверцята холодильника надто часто.
- Дуже вологе навколишнє середовище. >>> Не встановлюйте холодильник у місцях з підвищеною вологістю.
- Продукти, які містять рідину, зберігаються у відкритих контейнерах. >>> Не зберігайте продукти, які містять рідину, у відкритих контейнерах.
- Дверцята холодильника залишені відчиненими. >>> Зачиняйте дверцята холодильника.
- Термостат встановлено на дуже низьку температуру. >>> Налаштуйте термостат на відповідну температуру.

Компресор не працює

- Термозахист компресора може вийти з ладу в результаті несподіваного збою енергопостачання чи вимкнення-увімкнення, оскільки тиск холодоагенту в системі охолодження не встиг збалансуватися. Холодильник почне працювати приблизно через 6 хвилин. Якщо після закінчення цього періоду холодильник не запрацює, зверніться до сервісної служби.
- Холодильник перебуває у стані розморожування. >>> Для холодильника, що розморожується автоматично, це цілком нормально. Цикл розморожування відбувається періодично.
- Холодильник не під'єднано до розетки електромережі. >>> Переконайтеся, що штепсель вставлено до розетки.
- Неправильно налаштовано температуру. >>> Виберіть відповідний температурний режим.
- Відсутність електроживлення. >>> Холодильник відновить нормальну роботу після відновлення енергопостачання.

Рівень робочого шуму зростає під час роботи холодильника.

- Робочі характеристики холодильника можуть змінюватися залежно від змін температури навколишнього середовища. Це цілком нормально і не свідчить про несправність.

Холодильник вмикається надто часто або працює надто довго.

- Ваш новий холодильник може бути ширшим за попередній. Великі холодильники працюють протягом тривалішого часу.
- Зависока температура в приміщенні. >>> Це нормально, якщо холодильник працює довше в умовах підвищеної навколишньої температури.
- Холодильник міг бути щойно увімкнений або завантажений продуктами. >>> Якщо холодильник був щойно увімкнений або завантажений продуктами, знадобиться більше часу, щоб він досяг встановленої температури. Це нормально.
- Можливо, холодильник був щойно завантажений великою кількістю гарячих продуктів. >>> Не завантажуйте до холодильника гарячі продукти.
- Можливо, дверцята часто відчинялися або були залишені відчиненими протягом тривалого часу. >>> Тепле повітря, яке потрапило до холодильника, спричиняє його роботу більш тривалими періодами. Не відчиняйте дверцята занадто часто.
- Можливо, були залишені відчиненими дверцята холодильного або морозильного відділення. >>> Перевірте, щоб дверцята були щільно зачинені.
- Холодильник відрегульовано на дуже низьку температуру. >>> Відрегулюйте температуру холодильного відділення на вище значення і зачекайте, поки не буде досягнута потрібна температура.
- Ущільнювач дверцят холодильного або морозильного відділення може бути забруднений, зношений, розірваний або неправильно встановлений. >>> Ущільнювач треба почистити чи замінити. Пошкоджене/розірване ущільнення змушує холодильник працювати довше для того, щоб підтримувати поточну температуру.

Температура морозильного відділення надто низька, тоді як температура холодильного відділення достатня.

- Морозильне відділення відрегульовано на дуже низьку температуру. >>> Відрегулюйте температуру морозильного відділення на вище значення та перевірте роботу.

Температура холодильного відділення надто низька, тоді як температура морозильного відділення достатня.

- Холодильне відділення відрегульоване на дуже низьку температуру. >>> Відрегулюйте температуру холодильного відділення на вище значення та перевірте роботу.

Продукти, які зберігаються в холодильному відділенні, заморожуються.

- Холодильне відділення відрегульоване на дуже високу температуру. >>> Відрегулюйте температуру холодильного відділення на нижче значення та перевірте роботу.

Температура в холодильному або морозильному відділенні занадто висока.

- Холодильник відрегульовано на дуже високу температуру. >>> Налаштування температури холодильного відділення впливає на температуру морозильного відділення. Змініть температурні налаштування холодильного або морозильного відділення і почекайте, доки у відповідних відділеннях не буде досягнуто потрібної температури.
- Дверцята часто відчинялися або були залишені відчиненими протягом тривалого часу. >>> Не відчиняйте дверцята надто часто.
- Дверцята відчинені. >>> Повністю закрийте дверцята.

<ul style="list-style-type: none"> • Холодильник щойно увімкнений або завантажений продуктами. >>> Це нормально. <p>Якщо холодильник був щойно увімкнений або завантажений продуктами, знадобиться більше часу, щоб він досяг встановленої температури.</p> <ul style="list-style-type: none"> • Можливо, холодильник був щойно завантажений великою кількістю гарячих продуктів. >>> Не завантажуйте до холодильника гарячі продукти.
<p>Вібрації або шум.</p> <ul style="list-style-type: none"> • Підлога нерівна або нестійка. >>> Якщо холодильник трясеться і повільно зсувається, його необхідно врівноважити, регулюючи ніжки. Переконайтеся також, що підлога достатньо рівна і міцна, щоб витримати вагу холодильника. • Шум може бути спричинений предметами, поставленими на холодильник. >>> Зніміть предмети з холодильника.
<p>З холодильника лунає шум, наче ллється чи розбризкується рідина.</p> <ul style="list-style-type: none"> • Рідини й гази циркулюють у системі холодильника відповідно до принципу його роботи. Це цілком нормально і не свідчить про несправність.
<p>Із холодильника лунає свист.</p> <ul style="list-style-type: none"> • Для охолодження холодильника використовуються вентилятори. Це цілком нормально і не свідчить про несправність.
<p>Конденсат на внутрішніх стінках холодильника.</p> <ul style="list-style-type: none"> • Спекотна й волога погода сприяє утворенню льоду та конденсату. Це цілком нормально і не свідчить про несправність. • Дверцята часто відчинялися або були залишені відчиненими протягом тривалого часу. >>> Не відчиняйте дверцята надто часто. Зачиніть їх, якщо вони відчинені. • Дверцята відчинені. >>> Повністю закрийте дверцята.
<p>Поява вологи на зовнішній поверхні холодильника або між дверцятами.</p> <ul style="list-style-type: none"> • У повітрі може міститися волога; за вологої погоди це цілком нормально. Коли волога зменшиться, конденсація зникне.
<p>Неприємний запах всередині холодильника.</p> <ul style="list-style-type: none"> • Не виконується регулярне чищення. >>> Регулярно витирайте холодильник всередині губкою, змоченою у ледь теплій воді або в розчині питної соди. • Окремі матеріали контейнерів або упаковок можуть бути джерелом запаху. >>> Використовуйте контейнери й упаковку з інших матеріалів. • До холодильника завантажені продукти у відкритих контейнерах. >>> Зберігайте продукти в закритих контейнерах. Мікроорганізми, які потрапляють у повітря з відкритих контейнерів, можуть викликати неприємні запахи. • Видаліть з холодильника зіпсовані продукти, термін зберігання яких закінчився.
<p>Дверцята не зачиняються.</p> <ul style="list-style-type: none"> • Упаковки продуктів можуть заважати зачиненню дверцят. >>> Пересуньте упаковки, які заважають зачиненню дверцят. • Холодильник стоїть недостатньо рівно на підлозі. >>> Відрегулюйте ніжки, щоб урівноважити холодильник. • Нерівна чи неміцна підлога. >>> Переконайтеся, що підлога рівна і може витримати вагу холодильника.
<p>Контейнери застрягли.</p> <ul style="list-style-type: none"> • Продукти торкаються верхньої частини контейнера. >>> Перекладіть продукти в контейнері.

**Офіційний представник на території України: ТОВ «Беко Україна», адреса:
Бізнес Парк «Європасаж» 01033, м. Київ, вул. Сім'ї Прахових, 58/10, 1-й поверх,
тел/факс.: 0-800-500-4-3-2.
Виробник: "S.C. Arctic S.A.", Gaesti, str.13 Decembrie №210, Romania (Румунія).**

