

24 INCH FRONT LOAD WASHER

WMY10148C2



Main Features

- Compact front load washer
- ProSmart inverter motor
- ENERGY STAR certified
- Maximum water efficiency
- 1400 rpm maximum spin speed
- 16 Washing programs
- Special washing programs
 - Pet Hair Removal Plus
 - Super quick 20 min.
 - Bedding program
 - Fitness Wear
 - Jeans cycle
- Special washing functions
 - Heavy Soil
 - Extra rinse
 - Soak
- Electronic Controls
- Liquid detergent compartment
- 2.5 cu. ft. washer capacity
- Rinse sensor
- Internal water heater
- Child Lock
- Chrome door rim
- Lifetime stainless steel drum

Dimensions

H x W x D: 33 1/8" x 23 5/8" x 25 3/8"

GENERAL	WMY10148C2
Capacity cu. ft.	2.5
Washing load capacity kg	10.1
Washing load capacity lbs.	22.3
Style	Front-loading
Maximum spin speed rpm	1400
Variable spin speed	Yes
Automatic temperature control	Yes
Control	Digital Display
Delay time	0-24h
Remaining time indicator	Yes
Silence level (washing) dBA	52
Silence level (spinning) dBA	76
Drum material	Stainless steel
Dispenser	Yes
Detergent (liquid/powder)	Yes
Bleach Dispenser	Yes
Fabric softener	Yes
CYCLES	
Number of Wash Cycles	16
Heavy Duty	Yes
Normal / Regular cotton	Yes
Sanitary	No
Baby Protect	No
Permanent Press	No
Wrinkle Free	Yes
Wool	Yes
Hand wash	Yes
Pet Hair Removal Plus	Yes
Spin + Drain	Yes
Rinse	Yes
Whites	Yes
Cold Wash 35	Yes
Quick Wash 35	No
Delicates	No
Super Quick 20 min	Yes
Fitness Wear	Yes
Jeans	Yes
Bedding	Yes
Tub Clean	Yes
FUNCTIONS	
Heavy Soil	Yes
Pre Soak	Yes
Rinse Plus (Extra rinse)	Yes
Super wash	No
Anti-wrinkle	No
Child lock	Yes
Automatic water adjustment system	Yes
Automatic detergent dispensing system	Yes
Unbalance detection system	Yes
Euro wash system with internal water heater	Yes
Program follower	Yes
Adjustable leveling legs	4
MATERIALS AND FINISHES	
Cabinet	White
Door rim	Chrome
Cycle selector knob	Chrome
DIMENSIONS	
Product Dimensions (HxWxD) in	33 1/8" x 23 5/8" x 25 3/8"
Product Dimensions (HxWxD) cm	84 x 60 x 64.5
Product Weight kg	76
Product Weight lbs.	167.5
TECHNICAL FEATURES	
Voltage/ Frequency	208-240V / 60Hz
Rated Current Amps	10
Power Plug	Plugs into matching dryer
ENVIRONMENTAL STANDARDS	
Energy star qualified	Yes
Energy consumption, kWh/year	86
UL listed	Yes
RoHS compliant (Lead free)	Yes

24 INCH FRONT LOAD WASHER

WMY10148C2

Outstanding Features



Compact Washer & Dryer

Small but mighty, the Beko Compact Washer & Dryer turns any two-foot nook into a laundry room. Even with its space-saving compact size, this stackable dynamic duo boasts a surprisingly roomy 2.5 cu. ft. washing capacity, 4.1 cu. ft. drying capacity, and superior cleaning and drying performance.



ProSmart Inverter Motor Technology

There's no reason to sacrifice the serenity of your home for the speed and performance of a Beko washer. Our technologically advanced ProSmart Inverter Motor revs at up to 1400 RPM for fast washing, superior water extraction and noise reduction. Plus, it's durable and energy efficient, so you can have some peace with your quiet.



Pet Hair Removal Plus

As much as you love your pet, no one loves the endless pet hair that finds its way onto every item of clothing. To make life with our furry friends significantly less hairy, Beko created the Pet Hair Removal function. These special prewash and rinse cycles mean you can go ahead and snuggle up with Fido and Fifi – Beko's got you covered.



Jeans Cycle

Specially designed to launder thicker fabrics gently but thoroughly, this special program automatically adjusts to a higher water level and adds an extra rinse cycle. Garments come out spotless with no remaining traces of detergent.



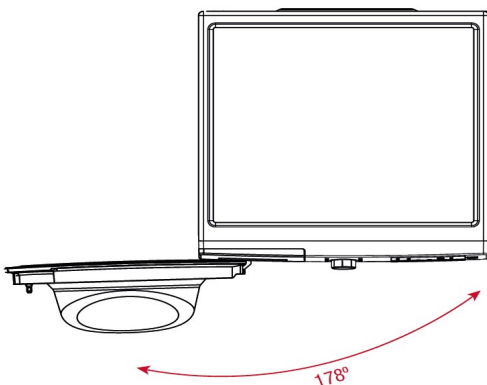
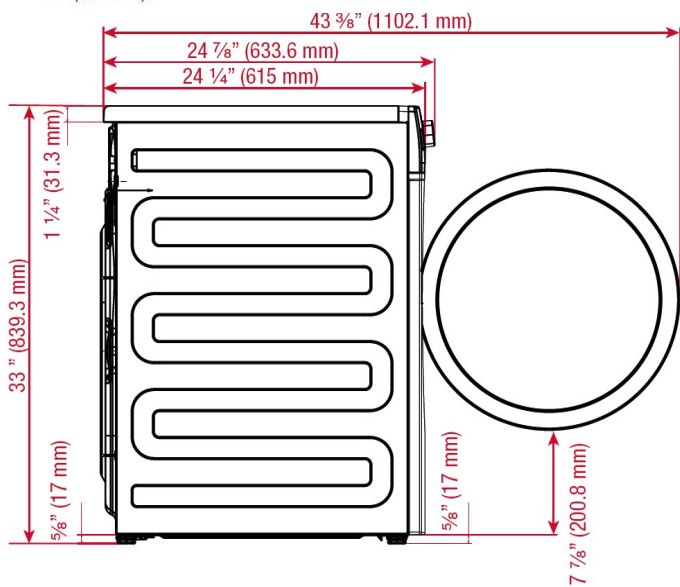
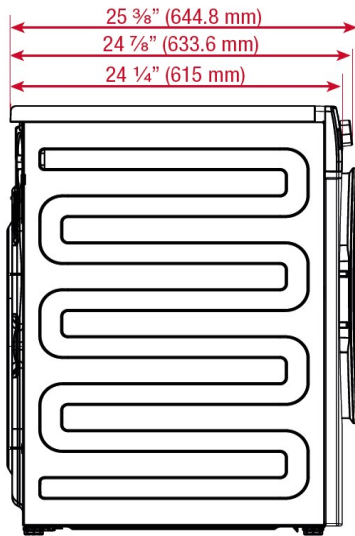
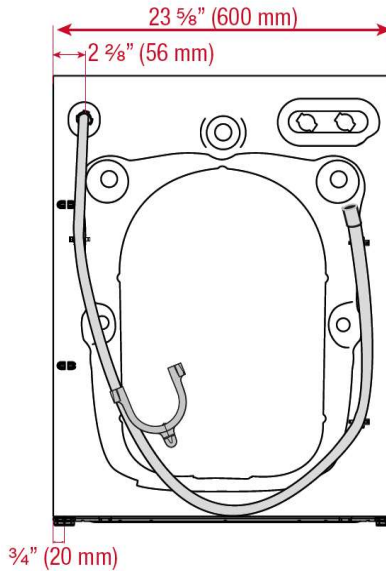
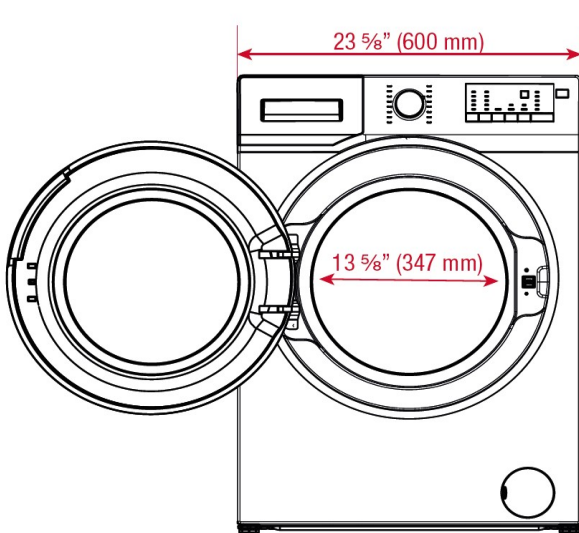
Bedding Cycle

For large families with lots of bed linens to change and towels to wash, Beko's 22-pound capacity washers perform beautifully and efficiently. Just set the special program and wash up to five sets of double sheets or 14 plush towels in a single load.

24 INCH FRONT LOAD WASHER

WMY10148C2

Dimensions and Installation



Required minimum air gap clearances:

1/2" top, 1/2" sides, 1/2" back

NOTE TO THE INSTALLER: All height, width and depth dimensions are shown in inches (as well as metric). Beko US Inc. reserves the absolute and unrestricted right to change product materials and specifications, at any time, without notice. Please visit our website www.blombergappliances.us or call 888 352 2356 to verify the latest specifications with final dimensional data and other details prior to installation and making a cutout. Applicable product limited warranty information may be found in accompanying product materials or you may contact your account manager for further details. Proper installation is the responsibility of the installer. Product failure due to improper installation is not covered under the Limited Warranty.