

BWM7200X

24" Front-Load Washer



CEE Tier 1

GENERAL PROPERTIES

Style	Front Load
Capacity	1.94 cu. ft.
Control Type	Digital Display (White LED)
Connectivity	–
Matching Dryer	BDV7200X

FEATURES

Maximum Spin Speed	1200 RPM
Variable Spin Speed	Yes
Unbalance Detection System	Yes
Automatic Temperature Control	Yes
Interior Light	–
Internal Water Heater	Yes
Delay Start Time (Ending In)	0-19 Hours
Remaining Time Indicator	Yes
Dispenser Drawer	Detergent, Fabric Softener, Bleach
Door Lock Indicator	Yes

PREMIUM TECHNOLOGY



ANTICREASING

If ironing is not your favorite chore (is it anyone's?) meet the AntiCrease function powered by IonGuard technology. It tumbles the drum periodically at the end of the cycle to keep clothes fresh and wrinkle-free. That's less ironing for you so you can do more of what you love instead.



STAINLESS STEEL DRUM

Our stainless steel drum not only resists hard water stains, spots, and corrosion, it's more durable and offers more noise cancellation for a lifetime of clean laundry.

BWM7200X



24" Front-Load Washer

FEATURES CONTINUED

Child Lock	Yes
Overflow Safety w/ Automatic Draining	Yes
Program Follower	Yes
Automatic Water Adjustment System	Yes
ProSmart Inverter Motor	Yes
Silence Level - Washing	50 dBA
Silence Level - Spinning	76 dBA
Adjustable Leveling Legs	4
Stackable	Yes

EFFICIENCY

Energy Efficiency Class	CEE Tier 1
ENERGY STAR® Certified	Yes
Total Annual Energy Consumption (kWh)	192 kWh/year

CYCLES

Number of Cycles	15
Cottons / Normal	Yes
Perm Press	Yes
Heavy Duty	Yes
Mixed Fabric	Yes
Allergen	Yes
Hand Wash	Yes
Down Wear	Yes
Cool Clean	Yes
Delicates & Dark	Yes
Sports Wear	Yes
Organic Wash	Yes
Quick Wash	Yes
Rinse	Yes
Steam Therapy	-

CYCLES CONTINUED

AquaQuick Wash 20	Yes
AquaIntense Wash	-
Tub Sanitize	Yes
Spin & Drain	Yes

OPTIONS

Heavy Soil	Yes
Soak	Yes
Extra Rinse	Yes
Remote Control	-
Temperature Selection	Yes
Spin Speed Selection	Yes

MATERIALS AND FINISHES

Drum Material	Stainless Steel
Cabinet	White
Door Rim	Gray
Cycle Selector Knob	Silver

TECHNICAL INFORMATION

Total Power (W)	1,100 W
Volts / Frequency	120 V / 60Hz
Rated Amps (A) / Min. Circuit Breaker	10 A / 15 A
Circuit Required for Laundry Pair	30A Dedicated (washer can plug into matching dryer)
Power Cord	Included, 3-Wire (NEMA 6-15R)
Power Cord Length	4.99 ft.
Drain Hose Length	62 1/2 in.
Inlet Hose Length	57 in.
Door Hinge	Left Side (Not Reversible)

BWM7200X



24" Front-Load Washer

DIMENSIONS & WEIGHT

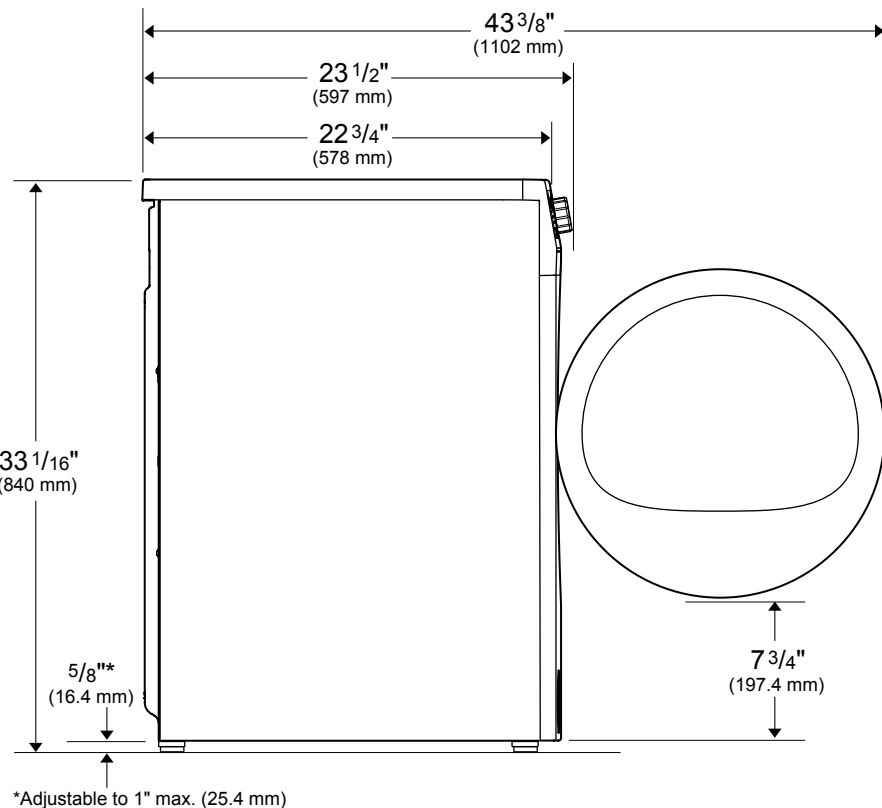
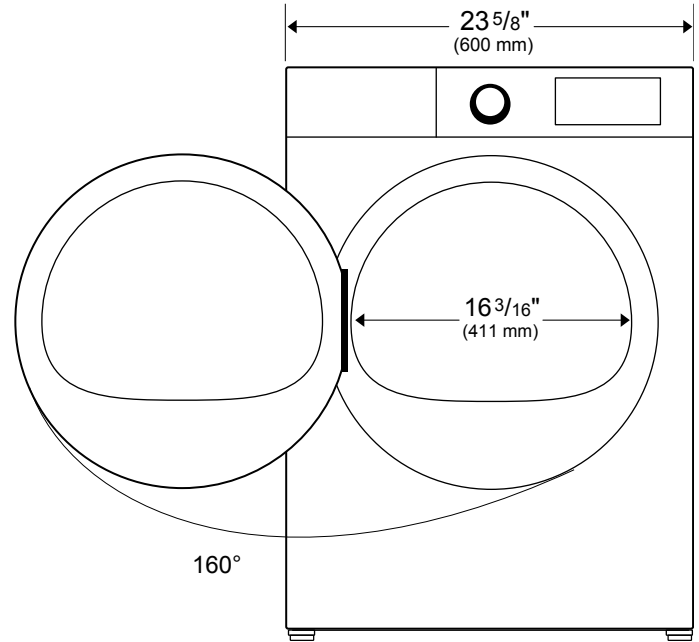
Product Dimensions (HxWxD) (in)	33 1/16 x 23 5/8 x 23 1/2
Product Depth with Door Open (in)	43 3/8
Required Cutout Size (HxWxD) (in)	34 x 25 x 23 1/2
Carton (H x W x D) (in)	35 x 26 1/5 x 28
Product Weight (lbs)	154.32
Shipping Weight (lbs)	160.94

ACCESSORIES (INCLUDED)

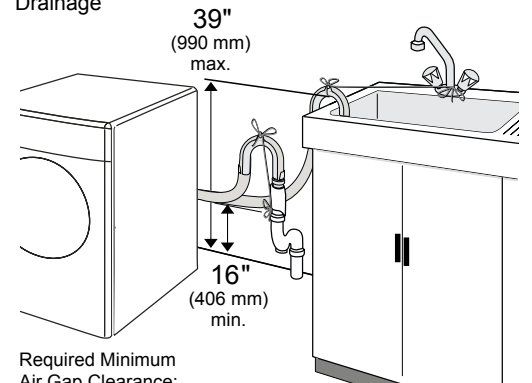
Hot and Cold Water Supply Hoses	Yes
---------------------------------	-----

WARRANTY

Entire Appliance	2-year Limited Warranty (Parts & Labor)
Circuit Board and Washer Drum	5-year Limited Warranty (Parts Only Years 3-5)
Stainless Steel Drum	Lifetime (Parts Only After 2 Years)

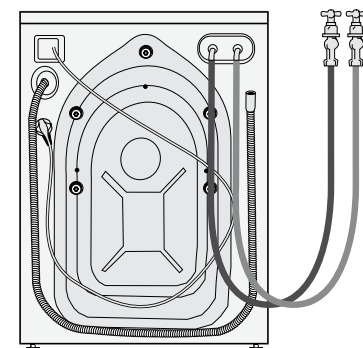


Drainage



Required Minimum Air Gap Clearance:
 1/2" (13 mm) Top
 1/2" (13 mm) Sides
 1/2" (13 mm) Back

Water Supply Connection



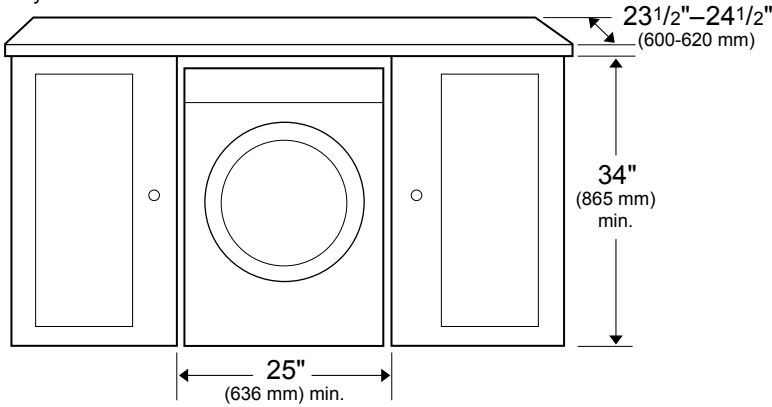
BWM7200X

24" Front-Load Washer



Clearances for Undercounter Installation

Only Washer

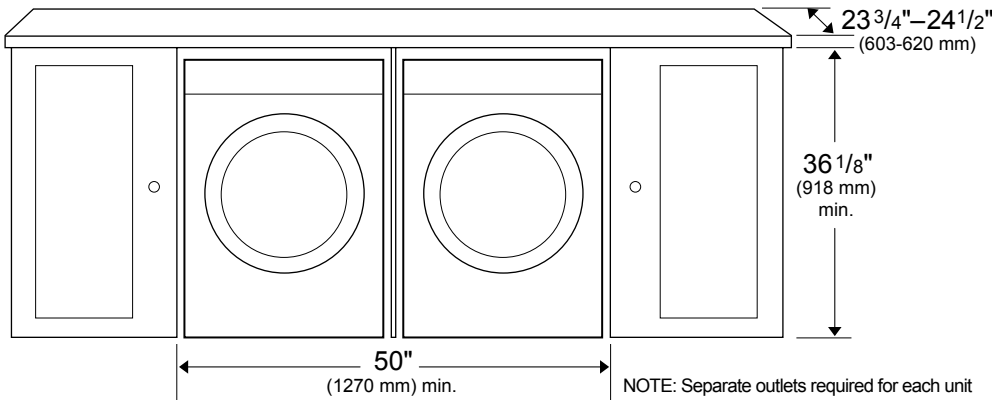


Required Minimum Clearances:
(Stand Alone, Side by Side, or Stacked)

Washer	Vented Dryer	Heat Pump Dryer
Top: 1" (25 mm)	Top: 1" (25 mm)	Top: 1" (25 mm)
Sides: 1/2" (13 mm)	Sides: 3/16" (4 mm)	Sides: 1/2" (13 mm)
Rear: 1/2" (13 mm)	Rear: 4" (101.6 mm)	Rear: 1/2" (13 mm)
Front: xxxxx	Front: 3/16" (5 mm)	Front: 3/16" (5 mm)

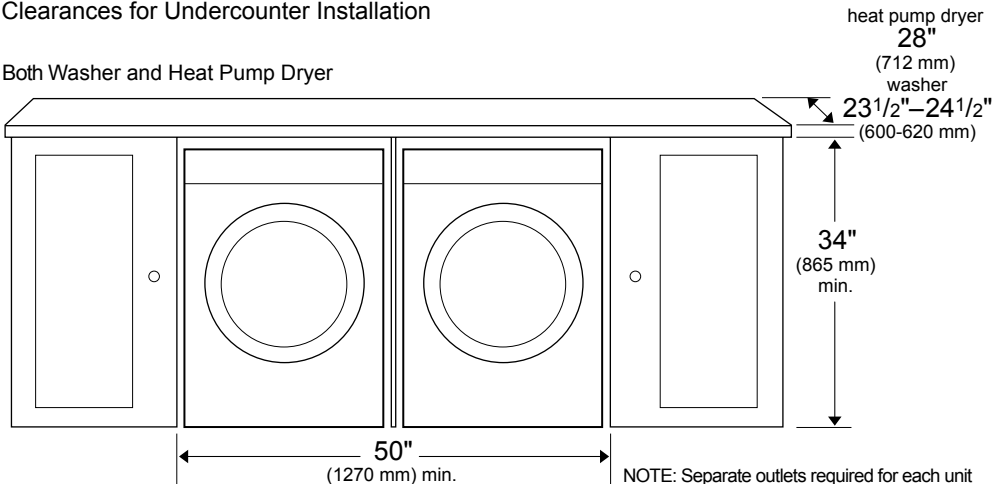
Clearances for Undercounter Installation

Both Washer and Vented Dryer



Clearances for Undercounter Installation

Both Washer and Heat Pump Dryer



Closet Door Ventilation Requirement

Washer:
A louver having minimum 23 in2 (148 cm2) air opening located at 3 in (7.62 cm) distance from the bottom of closet door.

Vented Dryer:
A louver having minimum 46 in2 (297 cm2) air opening located at 3 in (7.62 cm) distance from the top of closet door.

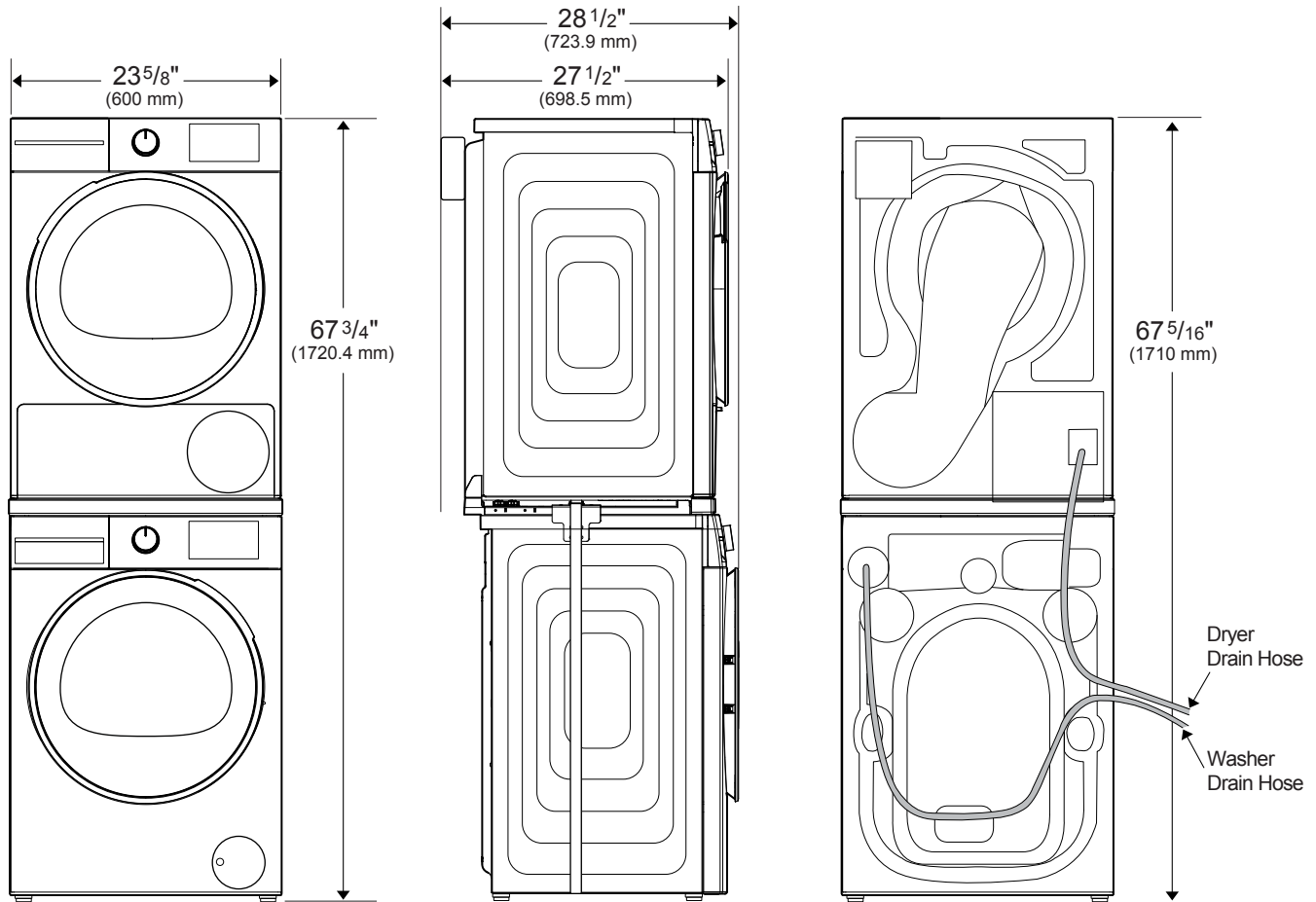
Heat Pump Dryer:
Closet door must have 2 openings, one located 3.2 inches (8 cm) from bottom of door having a minimum area of 16 in2 (103 cm2) and the other one located 3 inches (7.5 cm) from top of door having a minimum area of 46 in2 (294 cm2).

BWM7200X



24" Front-Load Washer

Stacked Installation – Washer and Ventless Heat Pump Dryer



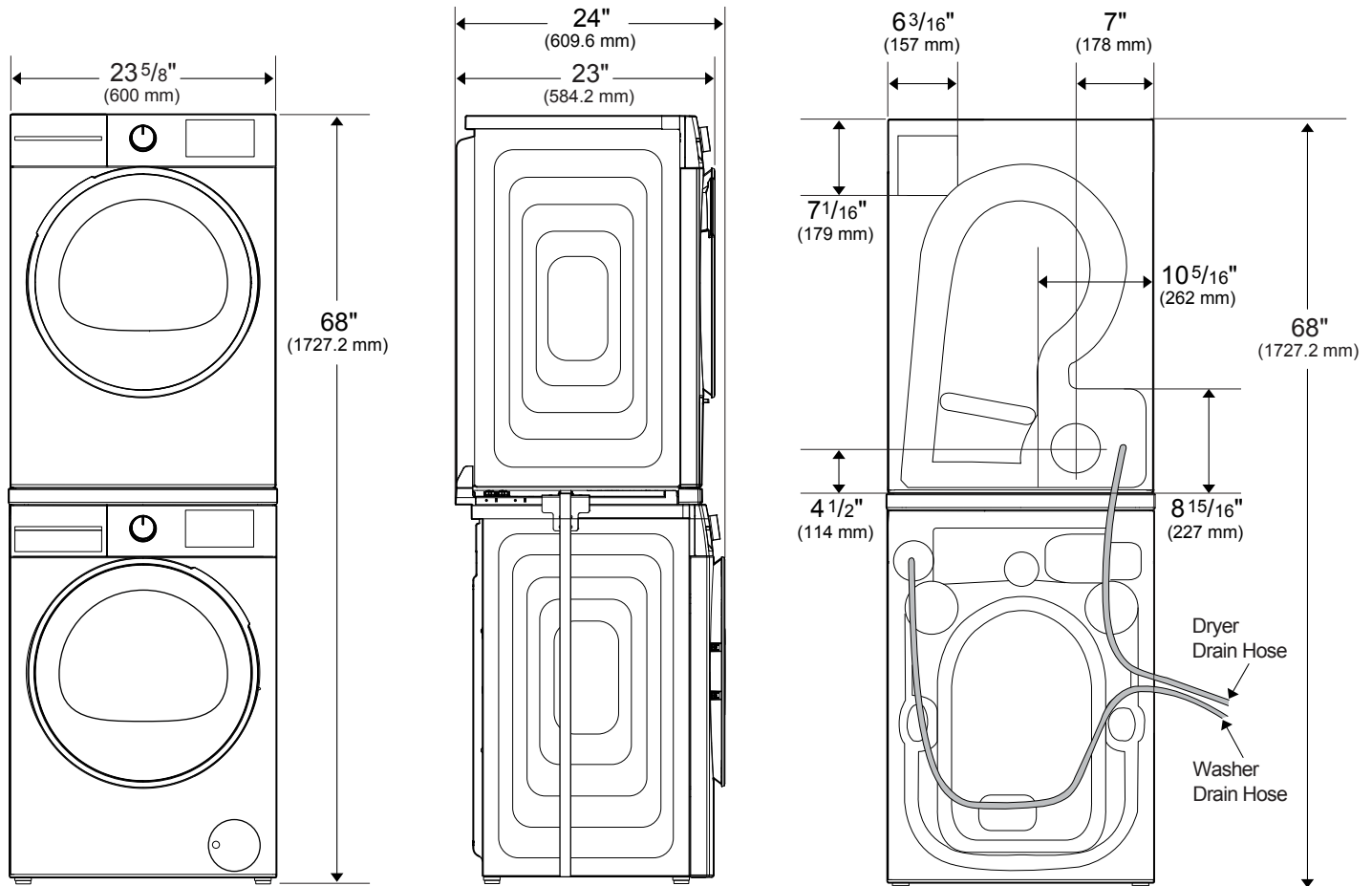
NOTE: Separate outlets required for each unit

BWM7200X



24" Front-Load Washer

Stacked Installation – Washer and Vented Dryer



NOTE: Separate outlets required for each unit

NOTE TO THE INSTALLER: All height, width, and depth dimensions are shown in inches (as well as metric). Beko U.S., Inc. reserves the absolute and unrestricted right to change product materials and specifications, at any time, without notice. Please visit our website, www.BekoAppliances.com, or call 888.352.2356 to verify the latest specifications with final dimensional data and other details prior to installation and making a cutout. Applicable product limited warranty information may be found in accompanying product materials, or you may contact your account manager for further details. Proper installation is the responsibility of the installer. Product failure due to improper installation is not covered under the Limited Warranty.