

24 INCH VENTLESS HEAT PUMP DRYER

HPD24412W



Main Features

- Compact dryer
- Ventless heat pump dryer technology
- Humidity free
- ProSmart Inverter Motor
- Most Energy Efficient 2107 - 50% less energy
- 16 drying programs
- Electronic Controls
- 4.1 cu. ft. dryer capacity
- Child Lock
- Stack kit included
- Direct draining
- Anti-wrinkle
- Quick drying
- Jeans cycle
- Gentle care
- Special drum paddles
- Easy access to lint filter
- Bi-directional drum action
- Reversible door
- Chrome door rim
- Lifetime stainless steel drum

Dimensions

H x W X D: 33 5/16" x 23 5/8" x 26 9/16"

GENERAL	HPD24412W
Dryer Type	Heat pump ventless
Capacity cu. ft.	4.1
Dry load capacity kg	8.0
Dry load capacity lbs.	17.7
Drum material	Stainless steel / Aquawave structured
Control	Digital Display
Silence level dBA	65
Automatic water drain	Yes
Reduce static cling	Yes
Delay Time	0-24 h
CYCLES	
Number of Cycles	16
Normal / Regular cotton	Yes
Permanent press	Yes
Mixed fabric	No
Delicates	Yes
Bulky	Yes
Air Fluff / no heat	Yes
Woolens	Yes
Jeans	Yes
Baby sanitize	Yes
Silent Program	Yes
Jogging Wear	Yes
Quick Dry 30	Yes
Timed Dry	10-20-30-40-50-60-70-80-100-120-140-160 min
FUNCTIONS	
End of cycle buzzer	Yes
Child lock	Yes
Auto anti-creasing	Yes
Interior drum led lighting	Yes
Glass door with heat protection	Yes
Reversible glass door	Yes
Program follower	Yes
Levelling legs	4
Clean filter indicator	Yes
Number of vent options	No
Bi-directional drum action	Yes
Low heat	No
Auto cool-down phase	Yes
MATERIALS AND FINISHES	
Cabinet	White
Door rim	Chrome
Cycle selector knob	Chrome
DIMENSIONS	
Product Dimensions (HxWxD) in	33 5/16" x 23 5/8" x 26 9/16"
Product Dimensions (HxWxD) cm	84.7 x 60 x 67.5
Product Weight kg	52.5
Product Weight lbs.	116
TECHNICAL FEATURES	
Rated Current Amps (A), Dryer	4
Circuit required for laundry pair (A)	1-30A dedicated
Voltage/ Frequency	208 - 240V / 60Hz
Watts (W)	900
ENVIRONMENTAL STANDARDS	
Energy star qualified	Yes
Energy consumption kWh/year	190
UL listed	Yes
RoHS compliant	Yes
Stacking Kit	
Can be mounted with matching WM models (WMY1014B)	2985400200

24 INCH VENTLESS HEAT PUMP DRYER

HPD24412W

Outstanding Features



Compact Washer & Dryer

Small but mighty, the Beko Compact Washer & Dryer turns any two-foot nook into a laundry room. Even with its space-saving compact size, this stackable dynamic duo boasts a surprisingly roomy 2.5 cu. ft. washing capacity, 4.1 cu. ft. drying capacity, and superior cleaning and drying performance.

Stack Kit Included

Maximize space with the flexibility of our Stack Kit, allowing for optional stacking of your Beko washer and dryer.



**50%
Less Energy**
**100%
Humidity Free**

Heat pump

Ventless Heat Pump Dryer

If you're concerned about the logistics or expense of venting a new dryer, Beko's Ventless Heat Pump Dryer is an innovative solution. Our award-winning [2017 ENERGY STAR Most Efficient](#) Heat Pump Dryer uses an ingenious closed loop heat exchange system to reuse hot air and eliminate humidity build-up during drying cycles. And because it dries at a significantly lower temperature, this compact dryer pampers your clothing while saving you money on energy bills.



ProSmart Inverter Motor Technology

There's no reason to sacrifice the serenity of your home for the performance of a Beko dryer. Our technologically advanced ProSmart™ Inverter Motor provides both noise reduction and superior cleaning ability. Plus, it's durable and energy efficient, so you can have some peace with your quiet.



Anti-wrinkle

Gentle drum action separates clothing throughout the drying cycle to ensure ready-to-wear, wrinkle-free results. In case the laundry is not removed after the program is completed, the wrinkle prevention program that lasts 2 hours start to prevent wrinkling of the laundry that remains inside the dryer.

Jeans

Use Beko's Jeans Cycle to thoroughly and uniformly dry even your toughest drying challenges.



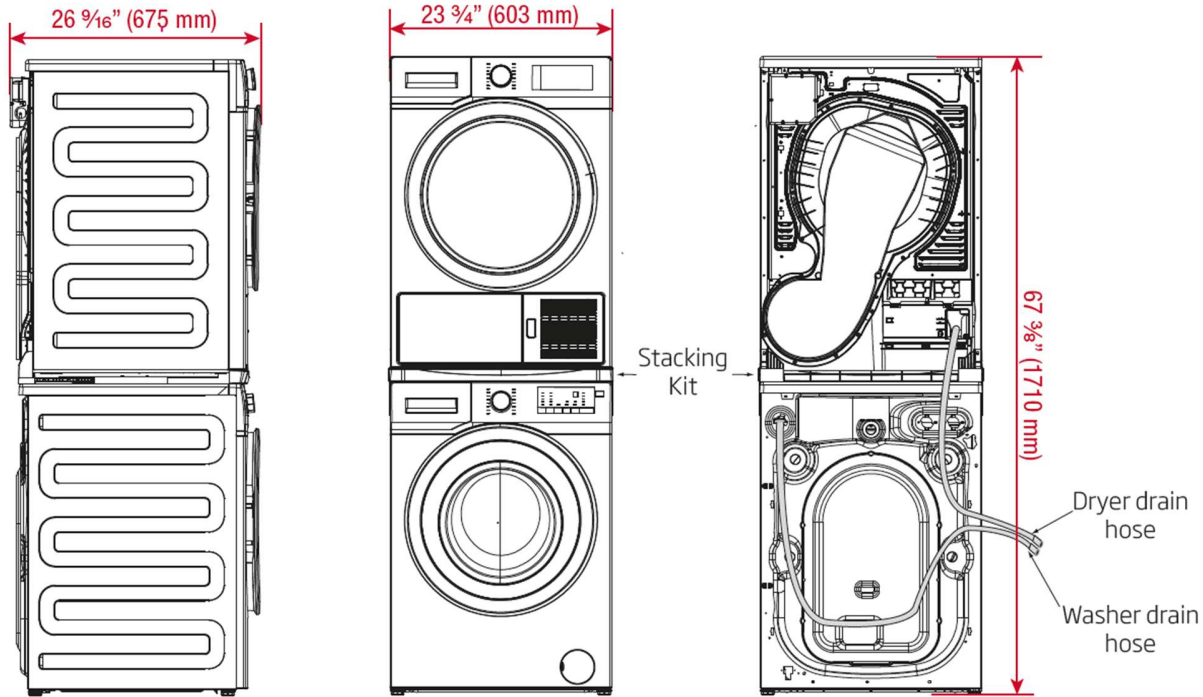
Quick Dry 30

Beko's Quick Dry cycle dries shirts more delicately and causes less wrinkles. Your shirts will be just ready for easy ironing.

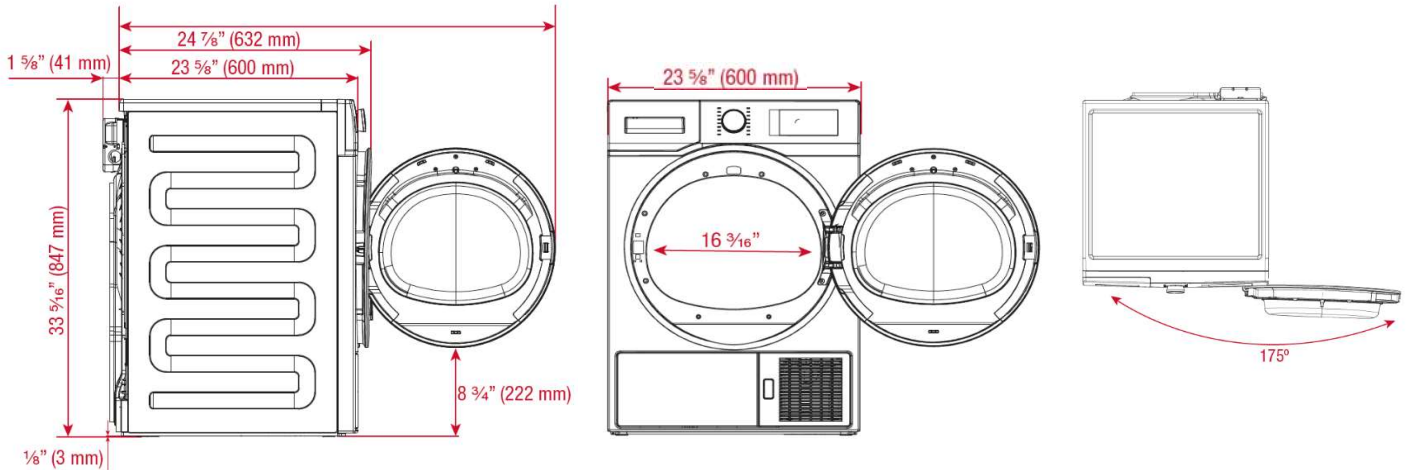
24 INCH VENTLESS HEAT PUMP DRYER

HPD24412W

Dimensions and Installation



Stacked installation minimum air gap clearances: 6 1/4" top, 1/2" sides, 1/2" back, front 1/2"



Electrical Connection	4-wire receptacle (14 -30R)		Dryer shipped with cord to fit this type 4 -wire receptacle
	3-wire receptacle (10 -30R)		If you have 3-wire receptacle, like this, a 3-wire dryer cord must be purchased locally.

NOTE TO THE INSTALLER: All height, width and depth dimensions are shown in inches (as well as metric). Beko US Inc. reserves the absolute and unrestricted right to change product materials and specifications, at any time, without notice. Please visit our website www.blombergappliances.us or call 888 352 2356 to verify the latest specifications with final dimensional data and other details prior to installation and making a cutout. Applicable product limited warranty information may be found in accompanying product materials or you may contact your account manager for further details. Proper installation is the responsibility of the installer. Product failure due to improper installation is not covered under the Limited Warranty.