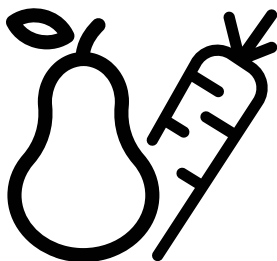




Refrigerator
User Manual
Réfrigérateur
Manuel d'utilisation
Refrigerador
Manual del usuari



BFBF3018SS-BFBF3018SSIM-BFBF3018SSL
BFBF3018SSIML



EN/FR/ES

57 6615 0000/AT- EN-FR-ES

Please read this manual first!

Dear Customer,

We hope that your product, which has been produced in modern plants and checked under the most meticulous quality control procedures, will provide you an effective service.

For this, we recommend you to carefully read the entire manual of your product before using it and keep it at hand for future references.




This manual

- Will help you use your appliance in a fast and safe way.
- Read the manual before installing and operating your product.
- Follow the instructions, especially those for safety.
- Keep the manual in an easily accessible place as you may need it later.
- Besides, read also the other documents provided with your product.

Please note that this manual may be valid for other models as well.

Symbols and their descriptions

This instruction manual contains the following symbols:

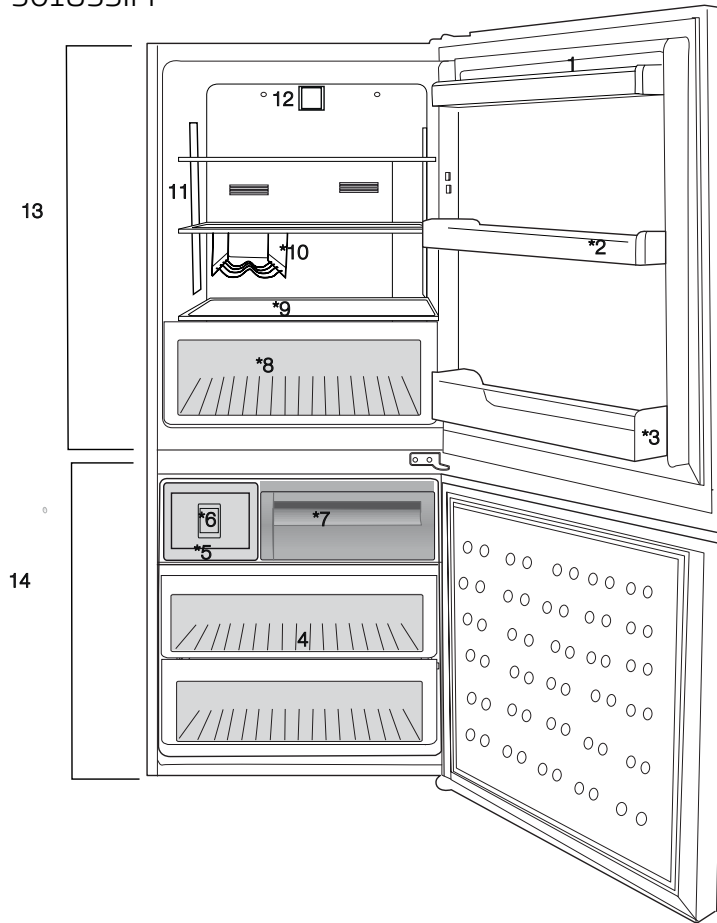
-  Important information or useful tips.
-  Warning against dangerous conditions for life and property.
-  Warning against electric voltage.

CONTENTS

1 Refrigerator	3	4 Preparation	13
1 Refrigerator	4	5 Using your refrigerator	16
2 Important Safety Warnings	5	Indicator panel.....	16
Intended use	5	Door Open Warning.....	19
For products with a water dispenser; ..	7	Freezing fresh food.....	20
Child safety.....	7	Recommendations for preservation of frozen food	21
Compliance with WEEE Directive and Disposing of the Waste Product:	7	Placing the food	21
Compliance with RoHS Directive:	8	Blue light	22
Package information.....	8	Egg section	22
HCA Warning	8	Ice Machine	22
Things to be done for energy saving ..	9	Description and cleaning of odor filter	23
Recommendations for the fresh food compartment.....	9	Humidity Controlled Crisper..... (EverFresh+)	23
3 Installation	10	6 Maintenance and cleaning	24
Points to be considered when re-transporting your refrigerator	10	Protection of plastic surfaces	24
Before operating your refrigerator	10	7. Troubleshooting	25
Electric connection	10		
Disposing of the packaging	11		
Disposing of your old refrigerator	11		
Placing and Installation	11		
Connecting the water hose to the refrigerator.....	12		
Connecting the water line to the water supply	12		
Adjusting the legs	12		
Changing the illumination lamp	12		
Changing the door opening direction	12		

1 Refrigerator

BFBF3018SS
BFBF3018SSIM



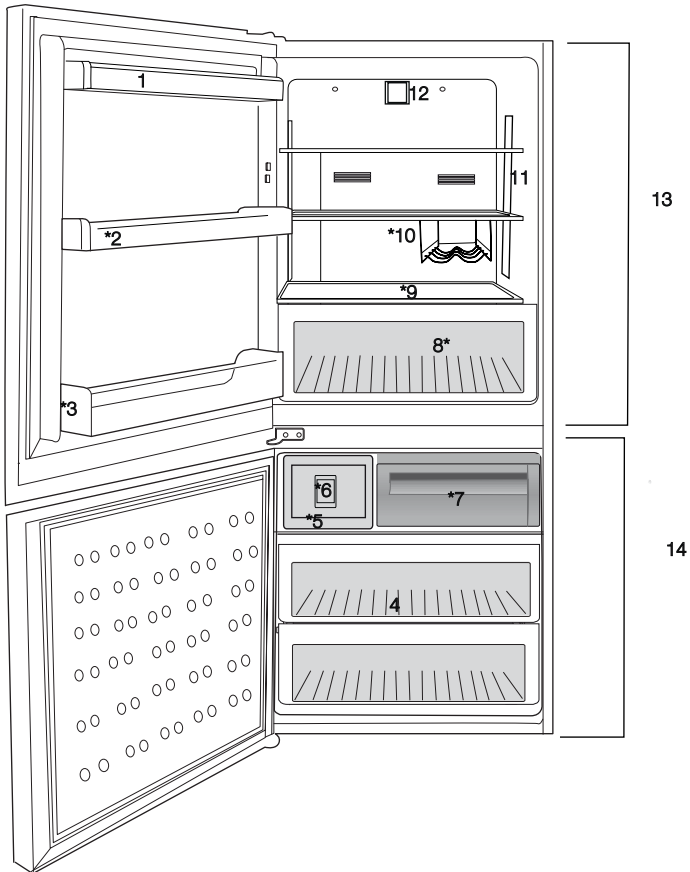
- | | |
|--------------------------------|-----------------------------|
| 1. Egg holder | 8. Crisper |
| 2. Fridge compartment shelf | 9. Adjustable glass shelves |
| 3. Bottle shelf | 10. Bottle holder |
| 4. Freezer compartment drawers | 11. Illumination lens |
| 5. Ice container | 12. Fan |
| 6. Ice machine | 13. Fridge compartment |
| 7. Drawer | 14. Freezer compartment |
- *OPTIONAL**

i Figures that take place in this instruction manual are schematic and may not correspond exactly with your product. If the subject parts are not included in the product you have purchased, then it is valid for other models.

1 Refrigerator

BFBF3018SSL

BFBF3018SSIML



1. Egg holder
2. Fridge compartment shelf
3. Bottle shelf
4. Freezer compartment drawers
5. Ice container
6. Ice machine
7. Drawer

8. Crisper
 9. Adjustable glass shelves
 10. Bottle holder
 11. Illumination lens
 12. Fan
 13. Fridge compartment
 14. Freezer compartment
- *OPTIONAL**

ⓘ Figures that take place in this instruction manual are schematic and may not correspond exactly with your product. If the subject parts are not included in the product you have purchased, then it is valid for other models.

2 Important Safety Warnings

Please review the following information. Failure to observe this information may cause injuries or material damage. Otherwise, all warranty and reliability commitments will become invalid.

The usage life of the unit you purchased is 10 years. This is the period for keeping the spare parts required for the unit to operate as described.

Intended use

– WARNING: Keep ventilation openings, in the appliance enclosure or in the built-in structure, clear of obstruction.

– WARNING: Do not use mechanical devices or other means to accelerate the defrosting process, other than those recommended by the manufacturer.

– WARNING: Do not damage the refrigerant circuit.

NOTE : This warning is only applicable to appliances with refrigerating circuits which are accessible to the user.

– WARNING: Do not use electrical appliances inside the food storage compartments of the appliance, unless they are of the type recommended by the manufacturer.

This appliance is intended to be used in household and similar applications such as

– staff kitchen areas in shops, offices and other working environments;

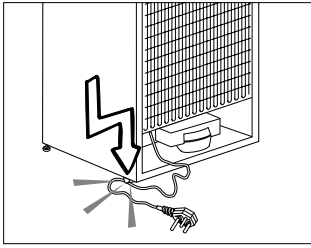
– farm houses and by clients in hotels, motels and other residential type environments;

- bed and breakfast type environments;
- catering and similar non-retail applications.

General safety

- When you want to dispose/scrap the product, we recommend you to consult the authorized service in order to learn the required information and authorized bodies.
- Consult your authorized service for all your questions and problems related to the refrigerator. Do not intervene or let someone intervene to the refrigerator without notifying the authorised services.
- For products with a freezer compartment; Do not eat cone ice cream and ice cubes immediately after you take them out of the freezer compartment! (This may cause frostbite in your mouth.)
- For products with a freezer compartment; Do not put bottled and canned liquid beverages in the freezer compartment. Otherwise, these may burst.
- Do not touch frozen food by hand; they may stick to your hand.
- Unplug your refrigerator before cleaning or defrosting.
- Vapor and vaporized cleaning materials should never be used in cleaning and defrosting processes of your refrigerator. In such cases, the vapor may get in contact with the electrical parts and cause short circuit or electric shock.
- Never use the parts on your refrigerator such as the door as a means of support or step.

- Do not use electrical devices inside the refrigerator.
- Do not damage the parts, where the refrigerant is circulating, with drilling or cutting tools. The refrigerant that might blow out when the gas channels of the evaporator, pipe extensions or surface coatings are punctured causes skin irritations and eye injuries.
- Do not cover or block the ventilation holes on your refrigerator with any material.
- Electrical devices must be repaired by only authorised persons. Repairs performed by incompetent persons create a risk for the user.
- In case of any failure or during a maintenance or repair work, disconnect your refrigerator's mains supply by either turning off the relevant fuse or unplugging your appliance.
- Do not pull by the cable when pulling off the plug.
- Place the beverage with higher proofs tightly closed and vertically.
- Never store spray cans containing flammable and explosive substances in the refrigerator.
- Do not use mechanical devices or other means to accelerate the defrosting process, other than those recommended by the manufacturer.
- This product is not intended to be used by persons with physical, sensory or mental disorders or unlearned or inexperienced people (including children) unless they are attended by a person who will be responsible for their safety or who will instruct them accordingly for use of the product
- Do not operate a damaged refrigerator. Consult with the service agent if you have any concerns.
- Electrical safety of your refrigerator shall be guaranteed only if the earth system in your house complies with standards.
- Exposing the product to rain, snow, sun and wind is dangerous with respect to electrical safety.
- Contact authorized service when there is a power cable damage to avoid danger.
- Never plug the refrigerator into the wall outlet during installation. Otherwise, risk of death or serious injury may arise.
- This refrigerator is intended for only storing food items. It must not be used for any other purpose.
- Label of technical specifications is located on the left wall inside the refrigerator.
- Never connect your refrigerator to electricity-saving systems; they may damage the refrigerator.
- If there is a blue light on the refrigerator, do not look at the blue light with optical tools.
- For manually controlled refrigerators, wait for at least 5 minutes to start the refrigerator after power failure.
- This operation manual should be handed in to the new owner of the product when it is given to others.
- Avoid causing damage on power cable when transporting the refrigerator. Bending cable may cause fire. Never place heavy objects on power cable. Do not touch the plug with wet hands when plugging the product.



- Do not plug the refrigerator if the wall outlet is loose.
- Water should not be sprayed directly on inner or outer parts of the product for safety purposes.
- Do not spray substances containing inflammable gases such as propane gas near the refrigerator to avoid fire and explosion risk.
- Never place containers filled with water on top of the refrigerator, otherwise this may cause electric shock or fire.
- Do not overload your refrigerator with excessive amounts of food. If overloaded, the food items may fall down and hurt you and damage refrigerator when you open the door. Never place objects on top of the refrigerator; otherwise, these objects may fall down when you open or close the refrigerator's door.
- As they require a precise temperature, vaccines, heat-sensitive medicine and scientific materials and etc. should not be kept in the refrigerator.
- If not to be used for a long time, refrigerator should be unplugged. A possible problem in power cable may cause fire.
- Refrigerator may move if adjustable legs are not properly secured on the floor. Properly securing adjustable legs on the floor can prevent the refrigerator to move.

- When carrying the refrigerator, do not hold it from door handle. Otherwise, it may be snapped.
- When you have to place your product next to another refrigerator or freezer, the distance between devices should be at least 8cm. Otherwise, adjacent side walls may be humidified.

For products with a water dispenser;

- Pressure for cold water inlet shall be maximum 90 psi (620 kPa). If your water pressure exceeds 80 psi (550 kPa), use a pressure limiting valve in your mains system. If you do not know how to check your water pressure, ask for the help of a professional plumber.
- Use only potable water.

Child safety

- If the door has a lock, the key should be kept away from reach of children.
- Children must be supervised to prevent them from tampering with the product.

Compliance with WEEE Directive and Disposing of the Waste Product:

This product complies with EU WEEE



Directive (2012/19/EU). This product bears a classification symbol for waste electrical and electronic equipment

(WEEE). This product has been manufactured with high quality parts and materials which can be reused and are suitable for recycling. Do not dispose of the waste product with normal domestic and other wastes at the end of its service life. Take it to the collection center for the recycling of electrical and electronic

equipment. Please consult your local authorities to learn about these collection centers.

Compliance with RoHS Directive:

The product you have purchased complies with EU RoHS Directive (2011/65/EU). It does not contain harmful and prohibited materials specified in the Directive.

Package information

Packaging materials of the product are manufactured from recyclable materials in accordance with our National Environment Regulations. Do not dispose of the packaging materials together with the domestic or other wastes. Take them to the packaging material collection points designated by the local authorities.

- « Contact qualified personnel for disposal. »
- « Contact qualified personnel for servicing. »

⚠DANGER: Risk of child entrapment. Before you throw away your old refrigerator or freezer:

- Take off the doors.
- Leave the shelves in place so that children may not easily climb inside.

HCA Warning If your product's cooling system contains R600a:

This gas is flammable. Therefore, pay attention to not damaging the cooling system and piping during usage and transportation. In the event of damage, keep your product away from potential fire sources that can cause the product catch a fire and ventilate the room in which the unit is placed.

⚠DANGER – Risk Of Fire or Explosion. Flammable Refrigerant Used. Do Not Use Mechanical Devices To Defrost Refrigerator. Do Not Puncture Refrigerant Tubing”.

⚠DANGER – Risk Of Fire Or Explosion. Flammable Refrigerant Used. To Be Repaired Only By Trained Service Personnel. Do Not Puncture Refrigerant Tubing”.

⚠CAUTION – Risk Of Fire Or Explosion. Flammable Refrigerant Used. Consult Repair Manual/Owner’s Guide Before Attempting To Service This Product. All Safety Precautions Must be Followed.

⚠CAUTION – Risk Of Fire Or Explosion. Dispose Of Properly In Accordance With Federal Or Local Regulations. Flammable Refrigerant Used.

⚠CAUTION– Risk Of Fire Or Explosion Due To Puncture Of Refrigerant Tubing; Follow Handling Instructions Carefully. Flammable Refrigerant Used”.

Ignore this warning if your product's cooling system contains R134a.

Type of gas used in the product is stated in the type plate which is on the left wall inside the refrigerator.

Never throw the product in fire for disposal.

Things to be done for energy saving

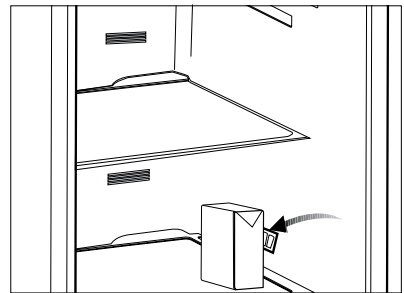
- Do not leave the doors of your refrigerator open for a long time.
- Do not put hot food or drinks in your refrigerator.
- Do not overload your refrigerator so that the air circulation inside of it is not prevented.
- Do not install your refrigerator under direct sunlight or near heat emitting appliances such as ovens, dishwashers or radiators.
- Pay attention to keep your food in closed containers.
- For products with a freezer compartment; You can store maximum amount of food items in the freezer when you remove the shelf or drawer of the freezer. Energy consumption value stated for your refrigerator has been determined by removing freezer shelf or drawer and under maximum load. There is no harm to use a shelf or drawer according to the shapes and size of food to be frozen.
- Thawing frozen food in fridge compartment will both provide energy saving and preserve the food quality.

Recommendations for the fresh food compartment

***May not be available in all models**

Do not allow the food to touch the temperature sensor in fresh food compartment. To allow the fresh food compartment keep its ideal storage temperature, sensor must not be hindered by food.

Do not place hot foods in the product.



3 Installation

⚠ Please remember that the manufacturer shall not be held liable if the information given in the instruction manual is not observed.

Points to be considered when re-transporting your refrigerator

1. Your refrigerator must be emptied and cleaned prior to any transportation.
2. Shelves, accessories, crisper and etc. in your refrigerator must be fastened securely by adhesive tape against any jolt before repackaging.
3. Packaging must be tied with thick tapes and strong ropes and the rules of transportation printed on the package must be followed.

Please do not forget...

Every recycled material is an indispensable source for the nature and for our national resources.

If you wish to contribute to recycling the packaging materials, you can get further information from the environmental bodies or local authorities.

Before operating your refrigerator

Before starting to use your refrigerator check the following:

1. Is the interior of the refrigerator dry and can the air circulate freely in the rear of it?
2. Please keep 50 mm distance between the backside of the refrigerator and the wall”
3. Clean the interior of the refrigerator as recommended in the “Maintenance and cleaning” section.

4. Plug the refrigerator into the wall outlet. When the fridge door is open, the fridge compartment interior light will come on.
5. You will hear a noise as the compressor starts up. The liquid and gases sealed within the refrigeration system may also give rise to noise, even if the compressor is not running and this is quite normal.
6. Front edges of the refrigerator may feel warm. This is normal. These areas are designed to be warm to avoid condensation.

Electric connection

Connect your product to a grounded socket which is being protected by a fuse with the appropriate capacity.

Important:

- The connection must be in compliance with national regulations.
- The power cable plug must be easily accessible after installation.
- The specified voltage must be equal to your mains voltage.
- Extension cables and multiway plugs must not be used for connection.

⚠ A damaged power cable must be replaced by a qualified electrician.

⚠ Product must not be operated before it is repaired! There is danger of electric shock!

Disposing of the packaging

The packing materials may be dangerous for children. Keep the packing materials out of the reach of children or dispose of them by classifying them in accordance with the waste instructions stated by your local authorities. Do not dispose of them along with the normal household waste.

The packing of your refrigerator is produced from recyclable materials.

Disposing of your old refrigerator

Dispose of your old refrigerator without giving any harm to the environment.

- You may consult your authorized dealer or waste collection center of your municipality about the disposal of your refrigerator.

Before disposing of your refrigerator, cut out the electric plug and, if there are any locks on the door, make them inoperable in order to protect children against any danger.

Placing and Installation

⚠ If the entrance door of the room where the refrigerator will be installed is not wide enough for the refrigerator to pass through, then call the authorized service to have them remove the doors of your refrigerator and pass it sideways through the door.

1. Install your refrigerator to a place that allows ease of use.
2. Keep your refrigerator away from heat sources, humid places and direct sunlight.
3. Place your refrigerator on an even floor surface to prevent jolts.
4. Your product requires adequate air circulation to function efficiently. If the product will be placed in an alcove, remember to leave at least 5 cm clearance between the product and the ceiling, rear wall and the side walls.
5. If the product will be placed in an alcove, remember to leave at least 5 cm clearance between the product and the ceiling, rear wall and the side walls. Check if the rear wall clearance protection component is present at its location (if provided with the product). If the component is not available, or if it is lost or fallen, position the product so that at least 5 cm clearance shall be left between the rear surface of the product and the wall of the room. The clearance at the rear is important for efficient operation of the product.
6. If the floor is covered with a carpet, your product must be elevated 25 mm from the floor.

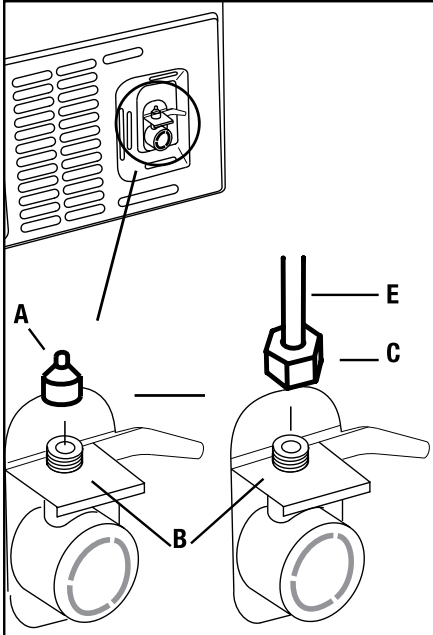
Connecting the water hose to the refrigerator

1. Slip the union (b) onto the water hose (a).
2. Push the water hose downwards firmly to slip it onto the water inlet valve (c).
3. Tighten the union (c) by hand to secure it onto the water inlet valve.

ⓘ Normally, you are not required to tighten the union with a tool. However, you can use a spanner or pliers to tighten the union if there is a leakage

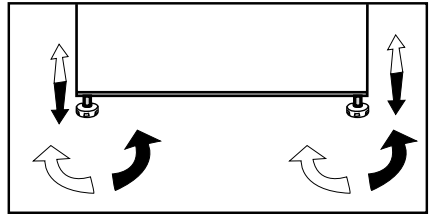
Connecting the water line to the water supply

Connect the water line to a water supply valve. If a valve is not present or you are not sure, consult a qualified plumber.



Adjusting the legs

If your refrigerator is unbalanced; You can balance your refrigerator by turning its front legs as illustrated in the figure. The corner where the leg exists is lowered when you turn in the direction of black arrow and raised when you turn in the opposite direction. Taking help from someone to slightly lift the refrigerator will facilitate this process.



Changing the illumination lamp

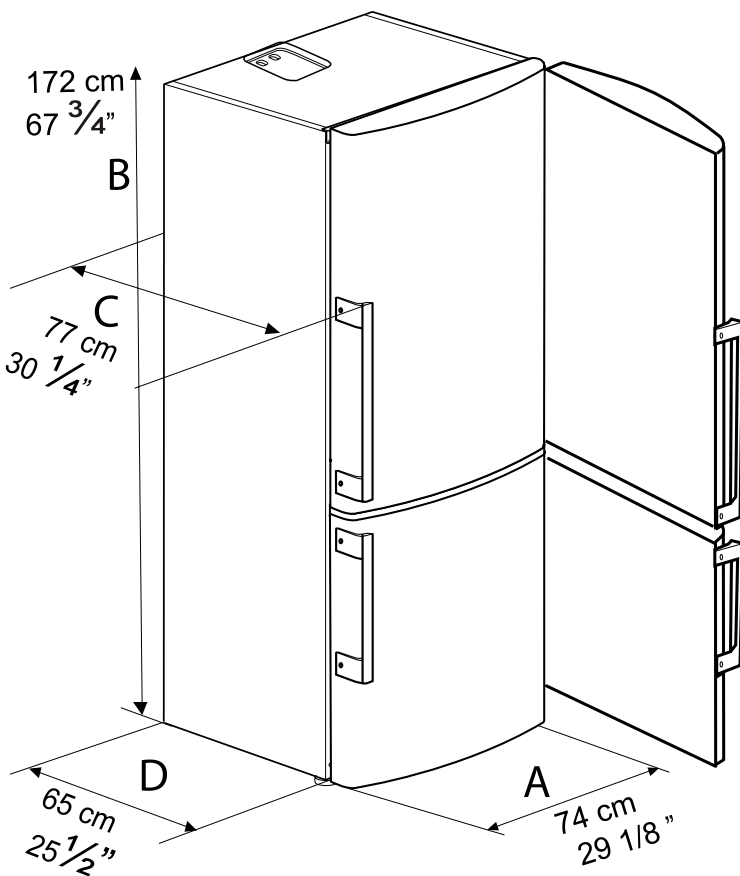
To change the Bulb/LED used for illumination of your refrigerator, call your Authorized Service.

Changing the door opening direction

⚠ This product's doors could not be reversible.

4 Preparation

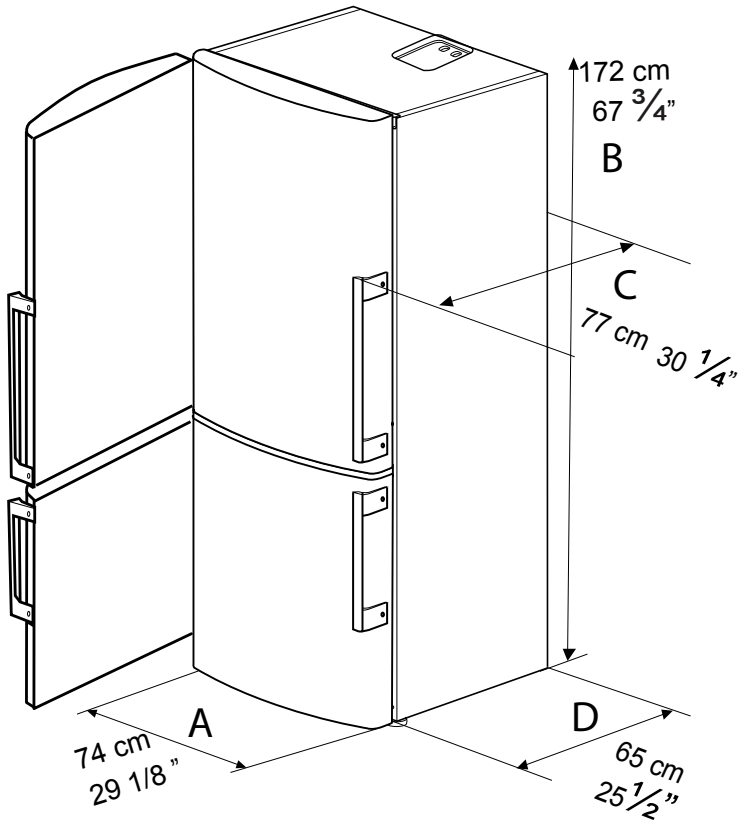
- i** Your refrigerator should be installed at least 300 mm away from heat sources such as hobs, ovens, central heater and stoves and at least 50 mm away from electrical ovens and should not be located under direct sunlight.
- i** The ambient temperature of the room where you install your refrigerator should at least be 10°C. Operating your refrigerator under cooler conditions is not recommended with regard to its efficiency.
- i** Please make sure that the interior of your refrigerator is cleaned thoroughly.
- i** If two refrigerators are to be installed side by side, there should be at least 20 mm distance between them.
- i** When you operate your refrigerator for the first time, please observe the following instructions during the initial six hours.
 - The door should not be opened frequently.
 - It must be operated empty without any food in it.
 - Do not unplug your refrigerator. If a power failure occurs out of your control, please see the warnings in the “Recommended solutions for the problems” section.
- i** Original packaging and foam materials should be kept for future transportations or moving.
- i** Since hot and humid air will not directly penetrate into your product when the doors are not opened, your product will optimize itself in conditions sufficient to protect your food. Functions and components such as compressor, fan, heater, defrost, lighting, display and so on will operate according to the needs to consume minimum energy under these circumstances.



(B) Height (cm/inch) unpacked	172 - 67 3/4"
(A) Width (cm/inch) unpacked	74 - 29 1/8"
(C) Depth (cm/inch) unpacked (with door handle)	77 - 30 1/4"

(B) Height (cm/inch) packed	182.6 - 28 3/8 "
(A) Width (cm/inch) packed	81.3 - 32 "
(C) Depth (cm/inch) packed	77.6 - 30 1/2"

Gross Weight (Kg) /lbs	101.5 - 223.3
Net Weight (Kg) /lbs	94.6 - 208.1



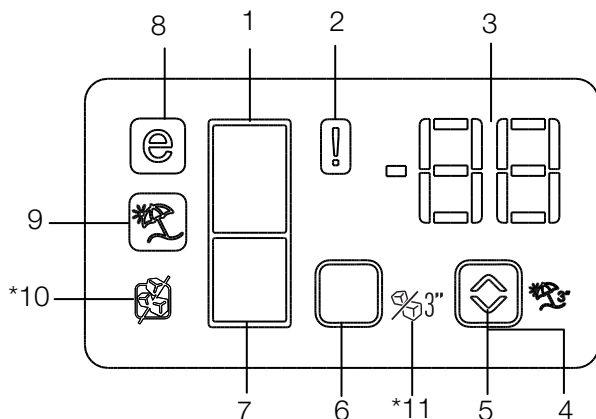
(B) Height (cm/inch) unpacked	172 - 67 ³ / ₄ "
(A) Width (cm/inch) unpacked	74 - 29 ¹ / ₈ "
(C) Depth (cm/inch) unpacked <small>(with door handle)</small>	77 - 30 ¹ / ₄ "
(B) Height (cm/inch) packed	182.6 - 28 ³ / ₈ "
(A) Width (cm/inch) packed	81.3 - 32 "
(C) Depth (cm/inch) packed	77.6 - 30 ¹ / ₂ "
Gross Weight (Kg) /lbs	101.5 - 223.3
Net Weight (Kg) /lbs	94.6 - 208.1

5 Using your refrigerator

Indicator panel

Indicator panels may vary according to the product model.

Audio – visual functions on the indicator panel helps you in using your product.



1. Fridge Compartment Indicator
2. Error status indicator
3. Temperature indicator
4. Vacation function button
5. Temperature setting button
6. Compartment selection button
7. Freezer compartment indicator
8. Economy mode indicator
9. Vacation function indicator
10. *Automatic Ice Machine Off/On indicator
11. *Automatic Ice Machine Off/On indicator

***optional**

i Figures that take place in this instruction manual are schematic and may not correspond exactly with your product. If the subject parts are not included in the product you have purchased, then it is valid for other models.

1. Fridge compartment indicator

Fridge compartment light is illuminated while the fridge compartment temperature is set.

2. Error status indicator

If your refrigerator does not perform enough cooling or in case of a sensor fault, this indicator is activated. When this indicator is activated, "E" is displayed on the freezer compartment temperature indicator, and numbers such as "1,2,3..." are displayed on the fridge compartment temperature indicator. These numbers on the indicator inform service personnel about the error.

3. Temperature indicator

Indicates freezer, fridge compartment temperature.

4. Vacation function button

Press on Vacation Button for 3 seconds to activate this function. When the vacation function is activated, "- -" is displayed on the fridge compartment temperature indicator and no active cooling is performed on the fridge compartment. It is not suitable to keep the food in the fridge compartment when this function is activated. Other compartments shall be continued to be cooled as per their set temperature.

To cancel this function press

Vacation button again.

5. Temperature setting button

Changes the temperature of the relevant compartment between -8 °F... 5 °F(-22°C... -15°C) and 46 °F... 33 °F (8°C...1°C)

6. Compartment selection button

Selection button: Press compartment selection button to switch between fridge and freezer compartments.

7. Freezer compartment indicator

Fridge compartment light is illuminated while the freezer compartment temperature is set.

8. Economy mode indicator

Indicates that the refrigerator operates in energy saving mode. This display shall be activated if the freezer compartment temperature is set to -18°C / 0°F.

9. Vacation function indicator

Indicates that vacation is activated.

10. *Automatic Ice Machine Off/On indicator

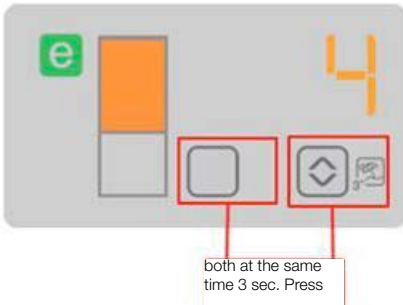
This symbol appears on the display when Ice Off function is activated.

11. *Automatic Ice Machine Off/On indicator

Press button 6 for 3 seconds to activate / deactivate ice.

Sabbath Mode:

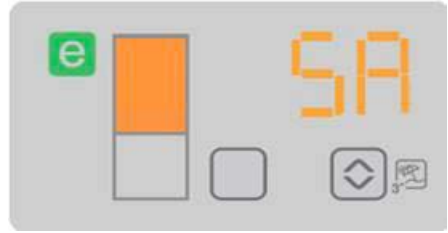
Press Select and Set buttons simultaneously for 3 seconds.



PS and 0 alternates on the display.



Press the “Set” button nine times to select “9” and Press “Select” to confirm “9”. Then, the display shows SA. Sabbath mode is activated.



The display does not work in Sabbath mode, no door open alarm is given, lightings will not work. The cooling algorithm specific to the Sabbath is activated. In sabbath mode, User must press the select and set keys simultaneously for 3 sec to deactivate the Sabbath mode. After 72 hours, the Sabbath Mode ends automatically unless the user deactivate itself.!

Door Open Warning

*May not be available in all models

An audio warning signal will be given when the door of your product is left open for at least 1 minute. This warning will be muted when the door is closed or any of the display buttons (if any) are pressed.

Freezer Compartment Adjustment	Fridge Compartment Adjustment	Explanations
-18°C/0°F	4°C/39°F.	This is the normal recommended setting.
-20°C/-4°F	3°C/37°F.	These settings are recommended when the ambient temperature exceeds 86°F/30°C.
Quick Freeze	4°C/39°F.	Use when you wish to freeze your food in a short time. Your refrigerator will return to its previous mode when the process is over.
-18°C/0°F or colder	3°C/37°F.	If you think that your fridge compartment is not cold enough because of the hot conditions or frequent opening and closing of the door.
-18°C/0°F or colder	Quick Fridge	You can use it when your fridge compartment is overloaded or if you wish to cool down your food rapidly. It is recommended that you activate quick fridge function 4-8 hours before placing the food.
-15°C/5°F	4°C/39°F	Use this freezer setting if you are using freezer compartment mainly ice-cream storage.


Recommended Using Temperature: FF: 4°C /40 °F Frz : -18°C/0 °F

Freezing fresh food

- It must be preferred to wrap or cover the food before placing them in the refrigerator.
 - Hot food must cool down to the room temperature before putting them in the refrigerator.
 - The foodstuff that you want to freeze must be fresh and in good quality.
 - Foodstuff must be divided into portions according to the family's daily or meal based consumption needs.
 - The foodstuff must be packaged in an airtight manner to prevent them from drying even if they are going to be kept for a short time.
 - Materials to be used for packaging must be tear-proof and resistant to cold, humidity, odor, oils and acids and they must also be airtight. Moreover, they must be well closed and they must be made from easy-to-use materials that are suitable for deep freeze usage.
 - Frozen food must be used immediately after they are thawed and they should never be re-frozen.
 - Please observe the following instructions to obtain the best results.
1. Do not freeze too large quantities of food at one time. The quality of the food is best preserved when it is frozen right through to the core as quickly as possible.
 2. Placing warm food into the freezer compartment causes the cooling system to operate continuously until the food is frozen solid.

1. Take special care not to mix already frozen food and fresh food.

Recommendations for preservation of frozen food

- Prepacked commercially frozen food should be stored in accordance with the frozen food manufacturer's instructions for a  (4 star) frozen food storage compartment.
- To ensure that the high quality achieved by the frozen food manufacturer and the food retailer is maintained, the following should be remembered:
 1. Put packages in the freezer as quickly as possible after purchase.
 2. Ensure that contents are labeled and dated.
 3. Do not exceed "Use By", "Best Before" dates on the packaging.

Defrosting

The freezer compartment defrosts automatically.

Placing the food

Freezer compartment shelves	Various frozen food such as meat, fish, ice cream, vegetables and etc.
-----------------------------	--

Egg tray	Egg
Fridge compartment shelves	Food in pans, covered plates and closed containers
Fridge compartment door shelves	Small and packaged food or drinks (such as milk, fruit juice and beer)
Crisper	Vegetables and fruits
Freshzone compartment	Delicatessen products (cheese, butter, salami and etc.)

WARNING!

- Foodstuff must be divided into portions according to the family's daily or meal based consumption needs.
- Foodstuff must be packaged in an airtight manner to prevent them from drying even if they are going to be kept for a short time.
- Materials necessary for packaging:
- Cold resistant adhesive tape
- Self adhesive label
- Rubber rings
- Pen

Materials to be used for packaging the foodstuff must be tear-proof and resistant to cold, humidity, odor, oils and acids.

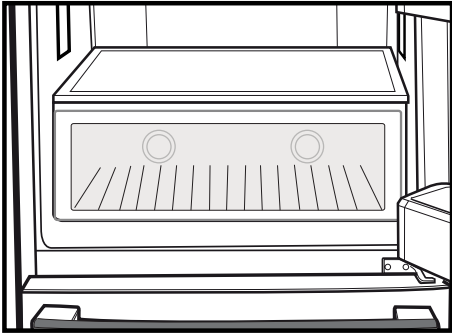
Foodstuff to be frozen should not be allowed to come in contact with the previously frozen items to prevent their partial thawing.

Frozen food must be used immediately after they are thawed and they should never be re-frozen.

Blue light

***May not be available in all models**

Foodstuff stored in the crispers that are enlightened with a blue light continue their photosynthesis by means of the wavelength effect of blue light and thus, preserve their freshness and increase their vitamin content.

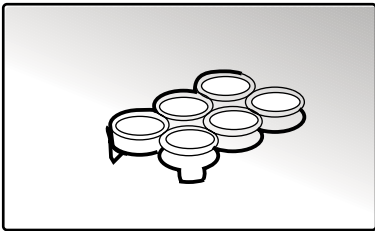


Egg section

You can place the egg section in any of the door shelves. If it is going to be placed in the body, the lower shelves are recommended due them being cooler.

Never store eggs in the freezer compartment.

Avoid direct contact between eggs and other foods.

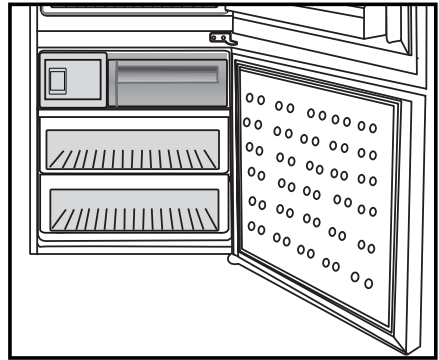


Ice Machine

(in some models)

Auto Ice machine system allows you to obtain ice from the refrigerator easily. After the water system pipe connection will be done, the ice can be taken from the ice drawer. First ice cubes will be ready in approximately 2 hours in the Ice machine drawer located in the freezer compartment.

Do not put water in it to make ice as it may break. The ice container is not used for storing foods.



Description and cleaning of odor filter

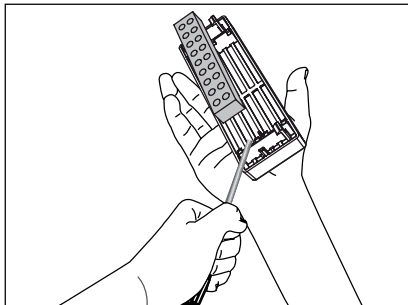
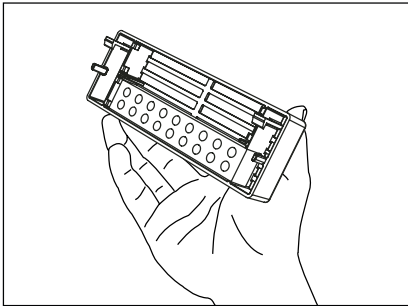
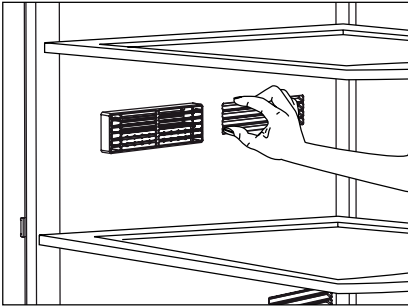
***May not be available in all models**

Odor filter prevents unpleasant odor build-up in your refrigerator.

Pull the cover into which the odor filter is installed downwards from the front section and remove as illustrated.

Leave the filter under sunlight for one day. Filter will be cleaned during this time. Install the filter back to its place.

Odor filter must be cleaned once in a year.



Humidity Controlled Crisper (EverFresh+)

***optional**

Humidity controlled crisper feature keeps the humidity of vegetables and fruits under control and allows keeping the food fresh for a much longer time.

We recommend you to place vegetables with leaves such as lettuce, spinach and vegetables vulnerable to humidity loss not vertical on their roots but horizontal in the crispers.

While placing the vegetables consider their weight and place the heavy and solid vegetable to the bottom, light and soft vegetables to the top.

Do not leave vegetables within plastic bags in the crispers. Leaving vegetables in plastic bags will make them spoil in a very short time. If it is required to separate vegetables for hygienic purposes, then use porous paper packing materials instead of plastic bags.

Do not place fruits, mainly apple and also pear, apricot, peach etc. which produce ethylene gas together with other vegetables-fruits in the same crisper. The ethylene produced by these fruits will cause other vegetables-fruits to mature rapidly and then cause them to spoil in a shorter time.

6 Maintenance and cleaning

- ⚠ Never use gasoline, benzene or similar substances for cleaning purposes.
- ⚠ We recommend that you unplug the appliance before cleaning.
- ⚠ Never use any sharp abrasive instrument, soap, household cleaner, detergent and wax polish for cleaning.
- ℹ Use lukewarm water to clean the cabinet of your refrigerator and wipe it dry.
- ℹ Use a damp cloth wrung out in a solution of one teaspoon of bicarbonate of soda to one pint of water to clean the interior and wipe it dry.
- ⚠ Make sure that no water enters the lamp housing and other electrical items.
- ⚠ If your refrigerator is not going to be used for a long period of time, unplug the power cable, remove all food, clean it and leave the door ajar.
- ℹ Check door seals regularly to ensure they are clean and free from food particles.
- ⚠ To remove door racks, remove all the contents and then simply push the door rack upwards from the base.
- ⚠ Never use cleaning agents or water that contain chlorine to clean the outer surfaces and chromium coated parts of the product. Chlorine causes corrosion on such metal surfaces.
- ⚠ Do not use sharp, abrasive tools, soap, household cleaning agents, detergents, kerosene, fuel oil, varnish etc. to prevent removal and deformation of the prints on the plastic part. Use lukewarm water and a soft cloth for cleaning and then wipe it dry.

Protection of plastic surfaces

- ℹ Do not put the liquid oils or oil-cooked meals in your refrigerator in unsealed containers as they damage the plastic surfaces of your refrigerator. In case of spilling or smearing oil on the plastic surfaces, clean and rinse the relevant part of the surface at once with warm water.

Check this list before contacting the service. Doing so will save you time and money. This list includes frequent complaints that are not related to faulty workmanship or materials. Certain features mentioned herein may not apply to your product.

The refrigerator is not working.

- The power plug is not fully settled. >>> Plug it in to settle completely into the socket.
- The fuse connected to the socket powering the product or the main fuse is blown. >>> Check the fuses.

Condensation on the side wall of the cooler compartment (MULTI ZONE, COOL, CONTROL and FLEXI ZONE).

- The door is opened too frequently >>> Take care not to open the product's door too frequently.
- The environment is too humid. >>> Do not install the product in humid environments.
- Foods containing liquids are kept in unsealed holders. >>> Keep the foods containing liquids in sealed holders.
- The product's door is left open. >>> Do not keep the product's door open for long periods.
- The thermostat is set to too low temperature. >>> Set the thermostat to appropriate temperature.

Compressor is not working.

- In case of sudden power failure or pulling the power plug off and putting back on, the gas pressure in the product's cooling system is not balanced, which triggers the compressor thermic safeguard. The product will restart after approximately 6 minutes. If the product does not restart after this period, contact the service.
- Defrosting is active. >>> This is normal for a fully-automatic defrosting product. The defrosting is carried out periodically.

- The product is not plugged in. >>> Make sure the power cord is plugged in.
- The temperature setting is incorrect. >>> Select the appropriate temperature setting.
- The power is out. >>> The product will continue to operate normally once the power is restored.

The refrigerator's operating noise is increasing while in use.

- The product's operating performance may vary depending on the ambient temperature variations. This is normal and not a malfunction.

The refrigerator runs too often or for too long.

- The new product may be larger than the previous one. Larger products will run for longer periods.
- The room temperature may be high. >>> The product will normally run for long periods in higher room temperature.
- The product may have been recently plugged in or a new food item is placed inside. >>> The product will take longer to reach the set temperature when recently plugged in or a new food item is placed inside. This is normal.
- Large quantities of hot food may have been recently placed into the product. >>> Do not place hot food into the product.
- The doors were opened frequently or kept open for long periods. >>> The warm air moving inside will cause the product to run longer. Do not open the doors too frequently.
- The freezer or cooler door may be ajar. >>> Check that the doors are fully closed.

- The product may be set to temperature too low. >>> Set the temperature to a higher degree and wait for the product to reach the adjusted temperature.
- The cooler or freezer door washer may be dirty, worn out, broken or not properly settled. >>> Clean or replace the washer. Damaged / torn door washer will cause the product to run for longer periods to preserve the current temperature.

The freezer temperature is very low, but the cooler temperature is adequate.

- The freezer compartment temperature is set to a very low degree. >>> Set the freezer compartment temperature to a higher degree and check again.

The cooler temperature is very low, but the freezer temperature is adequate.

- The cooler compartment temperature is set to a very low degree. >>> Set the freezer compartment temperature to a higher degree and check again.

The food items kept in cooler compartment drawers are frozen.

- The cooler compartment temperature is set to a very low degree. >>> Set the freezer compartment temperature to a higher degree and check again.

The temperature in the cooler or the freezer is too high.

- The cooler compartment temperature is set to a very high degree. >>> Temperature setting of the cooler compartment has an effect on the temperature in the freezer compartment. Wait until the temperature of relevant parts reach the sufficient level by changing the temperature of cooler or freezer compartments.

- The doors were opened frequently or kept open for long periods. >>> Do not open the doors too frequently.
- The door may be ajar. >>> Fully close the door.
- The product may have been recently plugged in or a new food item is placed inside. >>> This is normal. The product will take longer to reach the set temperature when recently plugged in or a new food item is placed inside.
- Large quantities of hot food may have been recently placed into the product. >>> Do not place hot food into the product.

Shaking or noise.

- The ground is not level or durable. >>> If the product is shaking when moved slowly, adjust the stands to balance the product. Also make sure the ground is sufficiently durable to bear the product.
- Any items placed on the product may cause noise. >>> Remove any items placed on the product.

The product is making noise of liquid flowing, spraying etc.

- The product's operating principles involve liquid and gas flows. >>> This is normal and not a malfunction.

There is sound of wind blowing coming from the product.

- The product uses a fan for the cooling process. This is normal and not a malfunction.

There is condensation on the product's internal walls.

- Hot or humid weather will increase icing and condensation. This is normal and not a malfunction.
- The doors were opened frequently or kept open for long periods. >>> Do not open the doors too frequently; if open, close the door.

- The door may be ajar. >>> Fully close the door.

There is condensation on the product's exterior or between the doors.

- The ambient weather may be humid, this is quite normal in humid weather. >>> The condensation will dissipate when the humidity is reduced.

The interior smells bad.

- The product is not cleaned regularly. >>> Clean the interior regularly using sponge, warm water and carbonated water.
- Certain holders and packaging materials may cause odour. >>> Use holders and packaging materials without free of odour.
- The foods were placed in unsealed holders. >>> Keep the foods in sealed holders. Micro-organisms may spread out of unsealed food items and cause malodour. Remove any expired or spoilt foods from the product.

The door is not closing.

- Food packages may be blocking the door. >>> Relocate any items blocking the doors.
- The product is not standing in full upright position on the ground. >>> Adjust the stands to balance the product.
- The ground is not level or durable. >>> Make sure the ground is level and sufficiently durable to bear the product.

The vegetable bin is jammed.

- The food items may be in contact with the upper section of the drawer. >>> Reorganize the food items in the drawer.

If The Surface Of The Product Is Hot.

- High temperatures may be observed between the two doors, on the side panels and at the rear grill while the product is operating. This is normal and does not require service maintenance! Be careful when touching these areas.



WARNING:

If the problem persists after following the instructions in this section, contact your vendor or an Authorised Service. Do not try to repair the product.



WARNING:

- This product can expose you to chemicals including Nickel (Metallic) which is known to the State of California to cause cancer.
- For more information go to www.P65Warnings.ca.gov
- Note : Nickel is a component in all stainless steel and some other metal components.

BEKO US RESIDENTIAL PRODUCT WARRANTY

The warranties provided by Beko in these statements only apply to Beko appliance sold to the original purchaser or homeowner in the US (Including Alaska, Hawaii, Puerto Rico and the US Virgin Islands) and The Cayman Islands

The factory warranty applies only to products purchased through an authorized dealer or authorized reseller. Go to www.bekoappliances.com/where-to-buy for a list of authorized dealers. Products purchased through non-authorized dealers and wholesalers will not be covered under the manufactures warranty

The warranty is not transferable. To obtain warranty service, please contact your dealer or contact us at <https://www.bekoappliances.com/support/beforecallcenter/> You will need your product model number, serial number, retailer name and address, where purchased and purchase date / installation date. This warranty gives you specific legal rights, and you may also have other rights which vary from state to state. Also, please make sure you register your product for warranty at: <https://www.bekoappliances.com/product-registration/>

2 year (*) full warranty from date of first installation (All Beko Products)

Beko will repair or replace at no cost to the consumer any defective parts if used under normal household conditions

(Warranty is void if the product is used commercially e.g., bed + breakfast, nursing home etc.). Service must also be performed by an authorized Beko service agency. (Cosmetic defects must be reported within 10 business days from installation). 1 year warranty on the accessories is for the parts only and does not include labor.

3rd thru 5th year (*, **) Sealed System Warranty on refrigerators - Parts Only

Beko will provide (No Charge) any compressor, evaporator, condenser and filter Dryer to the consumer if material defects or workmanship have caused the damage or failure of these components. (Trip and Labor charges are the responsibility of the consumer)

3rd thru 10th year (*, **) ProSmart™ Inverter Motor on Dishwashers - Part Only

Beko will provide (No Charge) a ProSmart Inverter Main Wash Motor if material defects or workmanship have caused the damage or failure of this component. (Trip and Labor charges are the responsibility of the consumer)

Disclaimers of warranties and exclusions:

Warranty does not cover service costs by an authorized service agent to correct installation, electrical problems or educational instruction on the use of the electric and gas ranges. The warranty also does not cover defects or damage caused by an act of God (such as storms, floods, fires, mudslides, etc.), damage cause by use of the electric and gas ranges for purposes other than those for which it was designed, misuse, abuse, accident, alteration, improper installation, maintenance, travel fees, service calls outside normal service hours, pick up and delivery, any food loss due to product failure, unauthorized service work or work.

This product is fully tested and went through official quality assurance inspections before leaving the original manufacturing site. Warranty terms for this Beko household appliance is not valid if the product is altered, tampered, modified, additional parts assembled, fixed and re-packed by an authorized distributor, servicer, a third party retailer, reseller or by any other unauthorized person(s).

TO THE EXTENT PERMITTED BY LAW, THIS WARRANTY IS IN LIEU OF ALL OTHER EXPRESSED AND IMPLIED WARRANTIES, INCLUDING THE IMPLIED WARRANTIES OF MERCHANTABILITY AND FITNESS FOR A PARTICULAR PURPOSE. BEKO UNDERTAKES NO RESPONSIBILITY FOR THE QUALITY OF THIS PRODUCT EXCEPT AS OTHERWISE PROVIDED IN THIS WARRANTY STATEMENT. BEKO ASSUMES NO RESPONSIBILITY THAT THE PRODUCT WILL BE FIT FOR ANY PARTICULAR PURPOSE FOR WHICH YOU MAY BE BUYING THIS PRODUCT, EXCEPT AS OTHERWISE PROVIDED IN THIS WARRANTY STATEMENT.

Beko does not assume any responsibility for incidental or consequential damages. Such damages include, but are not limited to, loss of profits, loss of savings or revenue, loss of use of the electric and gas ranges or any associated equipment, cost of capital, cost of any substitute equipment, facilities or services, downtime, the claims of third parties, and injury to property. Some states do not allow the exclusion or limitation of incidental or consequential damages, so the above limitations or exclusion may not apply to you.

(*) Installation date shall refer to either purchase date or 5 business days after delivery of the product to the home, whichever is later. (**) Parts replaced will assume the identity of the original parts + their original warranty.

No Other Warranties. This Warranty Statement is the complete and exclusive warranty from the manufacturer. No employee of Beko or any other party is authorized to make any warranty statements in addition to those made in this Warranty Statement.

Please keep this warranty card, user manual and your sales slip for future reference.

HOW TO CONTACT BEKO

Please contact Beko US at 1 (888) 352-2356 and select option 2 for customer service

HOW TO GET SERVICE

Please contact you authorized Beko dealer or visit www.bekoappliances.com to locate and get information for the closest authorized Beko service center.

Veillez commencer par lire ce manuel:

Cher client,

Nous espérons que vous serez satisfait de ce produit fabriqué dans une usine de pointe.

Cet appareil a subi des contrôles de qualité très méticuleux.

Veillez donc lire l'ensemble de la notice avant d'utiliser votre appareil.

N'oubliez pas de donner ce manuel si vous cédez le produit à quelqu'un.

Ce manuel:

- vous aidera à utiliser votre produit avec rapidité et sécurité.
- Lisez le manuel avant d'installer et de faire fonctionner votre produit.
- Respectez les instructions, notamment celles relatives à la sécurité.
- Conservez ce manuel dans un endroit facile d'accès car vous pouvez en avoir besoin ultérieurement.
- En plus, lisez également les autres documents fournis avec votre produit.
- Veillez noter que ce manuel peut également être valide pour d'autres modèles.

Symboles et descriptions

Vous retrouverez les symboles suivants dans le présent manuel :




-  Informations importantes ou astuces.
-  Avertissement relatif aux situations dangereuses en matière de sécurité des personnes et des biens.
-  Avertissement en cas de risque de décharge électrique.

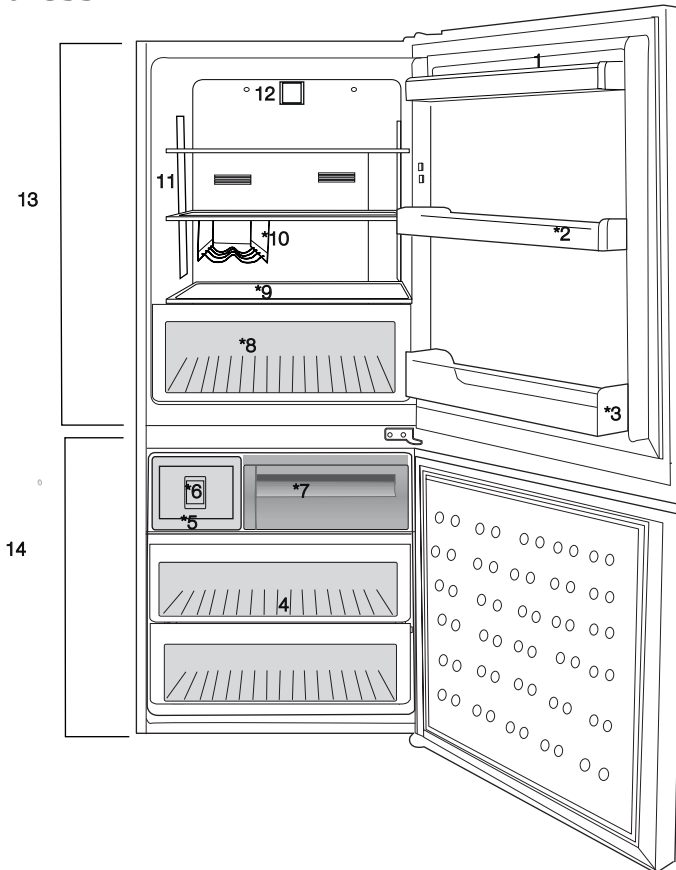
Table des matières

1 Réfrigérateur	3	4 Préparation	14
1 Réfrigérateur	4	5 Utilisation de votre appareil	17
2 Précautions de sécurité importantes	5	Bandeau indicateur.....	17
Pour les appareils dotés d'une fontaine à eau ;	8	Avertissement - Porte ouverte.....	20
Sécurité enfants.....	8	Système de réfrigération Dual :	20
Conformité avec la directive DEEE et mise au rebut des déchets :	8	Congélation des produits frais	20
Conformité avec la directive LdSD : .	8	Recommandations concernant la conservation des aliments congelés	21
Informations relatives à l'emballage....	8	Disposition des denrées	22
Avertissement HC.....	9	Bac à Oeufs	22
Mesures d'économie d'énergie.....	9	Bluelight	22
Recommandations relatives au compartiment des produits frais	10	Machine à glace	23
3 Installation	11	Description et nettoyage du filtre à odeurs :	23
Points à prendre en compte lorsque vous transportez à nouveau votre produit.....	11	Bac à légumes à humidité régulée (EverFresh+)	24
Avant de faire fonctionner votre réfrigérateur /congelateur.....	11	6 Entretien et nettoyage	25
Mise au rebut de l'emballage	12	Protection des surfaces en plastique.	25
Mise au rebut de votre ancien réfrigérateur /congelateur.....	12	7 Dépannage	26
Disposition et Installation	12		
Connexion du tuyau d'eau au Congélateur / réfrigérateur	13		
Filtre à eau.....	13		
Réglage des pieds.....	13		
Remplacement de l'ampoule	13		

1 Réfrigérateur

BFBF3018SS

BFBF3018SSIM



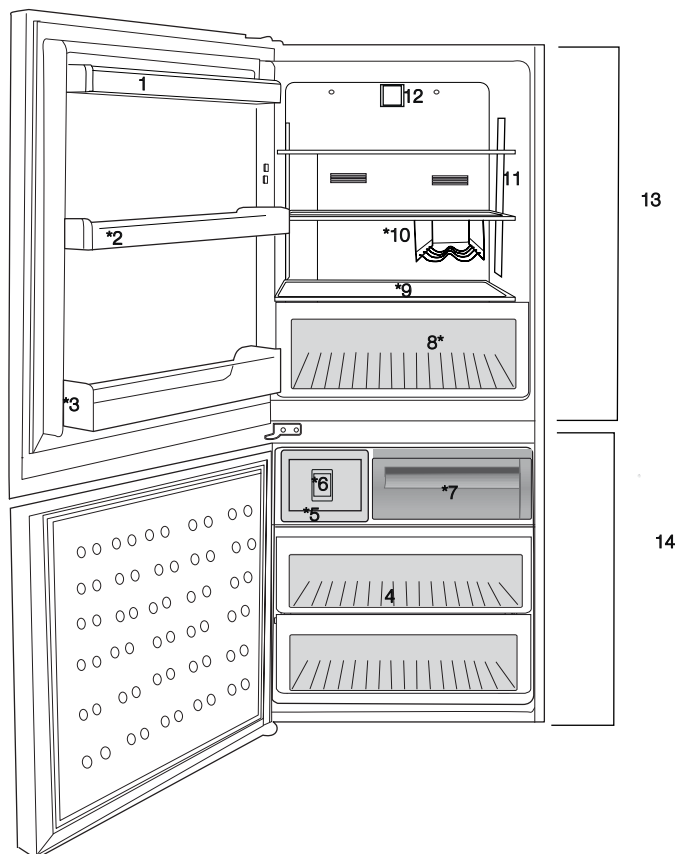
1. Support à œufs
 2. Clayette du compartiment congélateur/ réfrigérateur
 3. Clayette range-bouteilles
 4. Tiroirs du compartiment congélateur
 5. Appareil à glaçons
 6. Machine à glace
 7. Tiroir du compartiment de refroidissement rapide
 8. Bac à légumes
 9. Clayettes en verre réglables
 10. Range-bouteilles
 11. Lentilles d'illumination
 12. Ventilateur
 13. Compartiment congélateur/réfrigérateur
 14. Compartiment congélateur
- * **EN OPTION**

i Les illustrations présentées dans cette notice d'utilisation sont schématiques et peuvent ne pas correspondre exactement à votre produit. Si des pièces présentées ne sont pas comprises dans le produit que vous avez acheté, elles sont valables pour d'autres modèles.

1 Réfrigérateur

BFBF3018SSL

BFBF3018SSIML



1. Support à œufs
 2. Clayette du compartiment congélateur/réfrigérateur
 3. Clayette range-bouteilles
 4. Tiroirs du compartiment congélateur
 5. Appareil à glaçons
 6. Machine à glace
 7. Tiroir du compartiment de refroidissement rapide
 8. Bac à légumes
 9. Clayettes en verre réglables
 10. Range-bouteilles
 11. Lentilles d'illumination
 12. Ventilateur
 13. Compartiment congélateur/réfrigérateur
 14. Compartiment congélateur
- * **EN OPTION**

i Les illustrations présentées dans cette notice d'utilisation sont schématiques et peuvent ne pas correspondre exactement à votre produit. Si des pièces présentées ne sont pas comprises dans le produit que vous avez acheté, elles sont valables pour d'autres modèles.

2 Précautions de sécurité importantes

Veillez examiner les informations suivantes : Le non respect de ces consignes peut entraîner des blessures ou dommages matériels. Sinon, tout engagement lié à la garantie et à la fiabilité du produit devient invalide.

La durée de vie du produit que vous avez acheté est de 10 ans. Il s'agit ici de la période au cours de laquelle vous devez conserver les pièces de rechange nécessaires à son fonctionnement.

Utilisation Préconisée

AVERTISSEMENT:

Assurez-vous que les trous d'aération ne sont pas fermés quand le dispositif est dans son boîtier ou est installé à sa place.

AVERTISSEMENT:

Ne pas utiliser tout dispositif mécanique ou un autre dispositif hors des recommandations du fabricant pour accélérer le processus de décongeler.

AVERTISSEMENT:

Ne pas endommager le circuit de fluide du réfrigérateur.

AVERTISSEMENT:

Ne pas utiliser des appareils électriques non prévus par le fabricant dans les compartiments de conservation des aliments.

AVERTISSEMENT:

Ne conservez pas de substances explosives comme des aérosols avec un liquide inflammable dans cet appareil.

Ce dispositif est conçu pour l'usage domestique ou les applications similaires suivantes :

- Pour être utilisé dans la cuisine de personnel dans les magasins, bureaux et autres environnements de travail ;

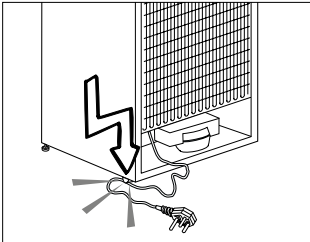
- Pour être utilisé par les clients dans les maisons de campagne et hôtels et les autres environnements d'hébergement ;
- Dans des environnements de type de pension de famille
- Dans des applications similaires n'ayant pas de service alimentaire et non détaillants

Sécurité générale

- Avant de vous débarrasser de votre appareil, veuillez consulter les autorités locales ou votre revendeur pour connaître le mode opératoire et les organismes de collecte agréés.
- Consultez le service après-vente agréé concernant toutes questions ou problèmes relatifs au réfrigérateur. N'intervenez pas ou ne laissez personne intervenir sur le réfrigérateur sans le communiquer au service après-vente agréé.
- Pour les produits équipés d'un compartiment congélateur : ne mangez pas de cônes de crème glacée ou des glaçons immédiatement après les avoir sortis du compartiment de congélation ! (Cela pourrait provoquer des engelures dans votre bouche).
- Pour les produits équipés d'un compartiment congélateur : ne placez pas de boissons en bouteille ou en cannette dans le compartiment de congélation. Cela peut entraîner leur éclatement.
- Ne touchez pas des produits congelés avec les mains, ils pourraient se coller à celles-ci.
- Débranchez votre réfrigérateur avant de le nettoyer ou de le dégivrer.

- La vapeur et des matériaux de nettoyage pulvérisés ne doivent jamais être utilisés pour les processus de nettoyage ou de dégivrage de votre réfrigérateur. La vapeur pourrait pénétrer dans les pièces électriques et provoquer des courts-circuits ou des électrocutions.
- Ne jamais utiliser les pièces de votre réfrigérateur telles que la porte, comme un support ou une marche.
- N'utilisez pas d'appareils électriques à l'intérieur du réfrigérateur.
- N'endommagez pas les pièces où circule le liquide réfrigérant avec des outils de forage ou coupants. Le liquide réfrigérant qui pourrait s'échapper si les canalisations de gaz de l'évaporateur, les rallonges de tuyau ou les revêtements de surface étaient percés, peut irriter la peau et provoquer des blessures aux yeux.
- Ne pas couvrir ou obstruer les orifices de ventilation du réfrigérateur.
- Les appareils électriques peuvent être réparés seulement par des personnes autorisées. Les réparations réalisées par des personnes ne présentant pas les compétences requises peuvent présenter un risque pour l'utilisateur.
- En cas de dysfonctionnement ou lors d'opérations d'entretien ou de réparation, débranchez l'alimentation électrique du réfrigérateur soit en désactivant le fusible correspondant, soit en débranchant l'appareil.
- Ne tirez pas sur le câble lorsque vous débranchez la prise.
- Placez les boissons alcoolisées verticalement, dans des récipients convenablement fermés.
- Ne conservez jamais des aérosols contenant des substances inflammables et explosives dans le réfrigérateur.
- N'utilisez pas d'outils mécaniques ou autres dispositifs pour accélérer le processus de décongélation autres que ceux qui sont recommandés par le fabricant.
- Ce produit n'est pas conçu pour être utilisé par des personnes (enfants compris) souffrant de déficience physique, sensorielle, mentale, ou inexpérimentées, à moins d'avoir obtenu une autorisation auprès des personnes responsables de leur sécurité.
- Ne faites pas fonctionner un réfrigérateur endommagé. Consultez le service agréé en cas de problème.
- La sécurité électrique du réfrigérateur n'est assurée que si le système de mise à la terre de votre domicile est conforme aux normes en vigueur.
- L'exposition du produit à la pluie, la neige, au soleil ou au vent présente des risques concernant la sécurité électrique.
- Contactez le service agréé quand un câble d'alimentation est endommagé pour éviter tout danger.
- Ne branchez jamais le réfrigérateur à la prise murale au cours de l'installation. Vous vous exposeriez à un risque de mort ou à de blessures graves.
- Ce réfrigérateur est conçu seulement pour conserver des aliments. Par conséquent, il ne doit pas être utilisé à d'autres fins.
- L'étiquette avec les caractéristiques techniques est située sur le mur gauche à l'intérieur du réfrigérateur.

- Ne branchez jamais votre réfrigérateur à des systèmes d'économie d'énergie, cela peut l'endommager.
- S'il y a une lumière bleue sur le réfrigérateur, ne la regardez pas avec des outils optiques.
- Pour les réfrigérateurs contrôlés manuellement, attendez au moins 5 minutes pour allumer le réfrigérateur après une coupure de courant.
- Si cet appareil venait à changer de propriétaire, n'oubliez pas de remettre la présente notice d'utilisation au nouveau bénéficiaire.
- Évitez d'endommager le câble d'alimentation quand vous transportez le réfrigérateur. Tordre le câble peut entraîner un incendie. Ne placez jamais d'objets lourds sur le câble d'alimentation. Évitez de toucher à la prise avec des mains mouillées au moment de brancher l'appareil.



- Évitez de brancher le réfrigérateur lorsque la prise de courant électrique a lâché.
- Pour des raisons d'ordre sécuritaire, évitez de vaporiser directement de l'eau sur les parties externes et internes du réfrigérateur.
- Ne pulvérisez pas de substances contenant des gaz inflammables comme du propane près du réfrigérateur pour éviter tout risque d'incendie et d'explosion.
- Ne placez jamais de récipients pleins d'eau en haut du réfrigérateur, ils pourraient causer des chocs électriques ou incendie.
- Ne surchargez pas votre réfrigérateur avec des quantités de nourriture excessives. S'il est surchargé, les aliments peuvent tomber, vous blesser et endommager le réfrigérateur quand vous ouvrez la porte. Ne placez jamais d'objets au-dessus du réfrigérateur, ils pourraient tomber quand vous ouvrez ou fermez la porte du réfrigérateur.
- Les produits qui nécessitent un contrôle de température précis (vaccin, médicament sensible à la chaleur, matériels scientifiques, etc.) ne doivent pas être conservés dans le réfrigérateur.
- Si le réfrigérateur n'est pas utilisé pendant longtemps, il doit être débranché. Un problème avec le câble d'alimentation pourrait causer un incendie.
- Le réfrigérateur peut bouger si ses pieds réglables ne sont pas bien fixés sur le sol. Bien fixer les pieds réglables sur le sol peut empêcher le réfrigérateur de bouger.
- Quand vous transportez le réfrigérateur, ne le tenez pas par la poignée de la porte. Cela peut le casser.
- Quand vous devez placer votre produit près d'un autre réfrigérateur ou congélateur, la distance entre les appareils doit être d'au moins 8 cm. Sinon, les murs adjacents peuvent être humidifiés.

Pour les appareils dotés d'une fontaine à eau ;

La pression de l'eau froide à l'entrée ne doit pas excéder 90 psi (620 kPa). Si votre pression d'eau dépasse 80 psi (550 kPa), utilisez une soupape de limitation de pression sur votre réseau de conduite. Si vous ne savez pas comment vérifiez la pression de l'eau, demandez l'assistance d'un plombier professionnel.

- S'il existe un risque d'effet coup de bélier sur votre installation, utilisez systématiquement un équipement de protection contre l'effet coup de bélier sur celle-ci. Consultez des plombiers professionnels si vous n'êtes pas sûr de la présence de cet effet sur votre installation.
- Ne l'installez pas sur l'entrée d'eau chaude. Prenez des précautions contre le risque de congélation des tuyaux. L'intervalle de fonctionnement de la température des eaux doit être de 33 F (0,6°C) au moins et de 100 F (38 C) au plus.
- Utilisez uniquement de l'eau potable.

Sécurité enfants

- Si la porte a un verrouillage, la clé doit rester hors de portée des enfants.
- Les enfants doivent être surveillés et empêchés de s'amuser avec le produit.

⚠ DANGER : Risque pour les enfants de se retrouver piégés. Avant de mettre au rebut votre réfrigérateur ou congélateur, retirez-en les portes.

- Ne retirez pas les clayettes, pour que les enfants ne puissent pas facilement grimper à l'intérieur.

Conformité avec la directive DEEE et mise au rebut des déchets :



Ce produit est conforme à la directive DEEE (2012/19/UE) de l'Union européenne). Ce produit porte un symbole de classification pour la mise au rebut des équipements électriques et

électroniques (DEEE). Le présent produit a été fabriqué avec des pièces et du matériel de qualité supérieure susceptibles d'être réutilisés et adaptés au recyclage. Par conséquent, nous vous conseillons de ne pas le mettre au rebut avec les ordures ménagères et d'autres déchets à la fin de sa durée de vie. Au contraire, rendez-vous dans un point de collecte pour le recyclage de tout matériel électrique et électronique. Veuillez vous rapprocher des autorités de votre localité pour plus d'informations concernant le point de collecte le plus proche.

Conformité avec la directive LdSD :

L'appareil que vous avez acheté est conforme à la directive LdSD (2011/65/UE) de l'Union européenne. Il ne comporte pas les matériels dangereux et interdits mentionnés dans la directive.

Informations relatives à l'emballage

Les matériaux d'emballage de cet appareil sont fabriqués à partir de matériaux recyclables, conformément à nos réglementations nationales en matière d'environnement. Ne mélangez pas les matériaux d'emballage avec les déchets domestiques ou d'autres

déchets. Amenez-les plutôt aux points de collecte des matériaux d'emballage, désignés par les autorités locales.

- « Veuillez contacter le personnel qualifié pour la mise au rebut. »
- « Veuillez contacter le personnel qualifié pour l'entretien. »

⚠ DANGER : Risque d'enfermement pour les enfants. Avant de jeter votre ancien réfrigérateur ou congélateur :

- Retirez les portes.
- Laissez les étagères en place de manière à ce que les enfants ne puissent pas pénétrer facilement à l'intérieur.

Avertissement HC

Si le système de refroidissement de votre appareil contient R600a :

Ce gaz est inflammable. Par conséquent, veuillez prendre garde à ne pas endommager le système de refroidissement et les tuyauteries lors de son utilisation ou de son transport. En cas de dommages, éloignez votre produit de toute source potentielle de flammes susceptible de provoquer l'incendie de l'appareil. De même, placez le produit dans une pièce aérée.

⚠ DANGER – Risque d'incendie ou d'explosion. Réfrigérant inflammable utilisé. N'utilisez pas d'objets mécaniques pour dégivrer le réfrigérateur. Ne percez pas les tuyaux du réfrigérant"

⚠ DANGER – Risque d'incendie ou d'explosion. Réfrigérant inflammable utilisé. Ne doit être réparé que par le personnel de service qualifié. Pas de perforation Tuyau du réfrigérant".

⚠ ATTENTION – Risque d'incendie ou d'explosion. Réfrigérant inflammable utilisé. Reportez-vous au manuel de réparation / guide de l'utilisateur avant toute tentative de dépannage de cet appareil. Toutes les précautions de sécurité doivent être respectées.

⚠ ATTENTION – Risque d'incendie ou d'explosion. La mise au rebut doit se faire conformément aux réglementations fédérales ou locales. Réfrigérant inflammable utilisé.

⚠ ATTENTION – Risque d'incendie ou d'explosion causée par la perforation du tuyau du réfrigérant ; respectez attentivement les consignes de manutention. Réfrigérant inflammable utilisé".

Ne tenez pas compte de cet avertissement si le système de refroidissement de votre appareil contient R134a.

Le type de gaz utilisé dans l'appareil est mentionné sur la plaque signalétique située sur le mur gauche à l'intérieur du réfrigérateur.

Ne jetez jamais l'appareil au feu pour vous en débarrasser.

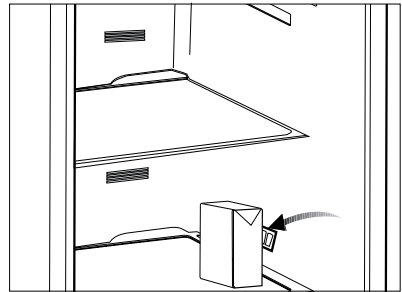
Mesures d'économie d'énergie

- Ne laissez pas les portes du réfrigérateur ouvertes pendant une durée prolongée.
- N'introduisez pas de denrées ou de boissons chaudes dans le réfrigérateur.
- Ne surchargez pas le réfrigérateur pour ne pas obstruer pas la circulation d'air à l'intérieur.

- N'installez pas le réfrigérateur à la lumière directe du soleil ou près d'appareil émettant de la chaleur tels qu'un four, un lave-vaisselle ou un radiateur.
- Veillez à conserver vos denrées dans des récipients fermés.
- Pour les produits équipés d'un compartiment congélateur : vous pouvez conserver une quantité maximale d'aliments dans le congélateur quand vous enlevez l'étagère ou le tiroir du congélateur. La consommation d'énergie précisée pour votre réfrigérateur a été déterminée en enlevant l'étagère ou le tiroir du congélateur et avec la charge maximale. Il n'y a aucun risque à utiliser une étagère ou un tiroir en fonction des formes et tailles des denrées à congeler.
- La décongélation des aliments dans le compartiment réfrigérateur permet de faire des économies d'énergie et de préserver la qualité des aliments.

Recommandations relatives au compartiment des produits frais *en option

- Ne laissez pas les aliments toucher le capteur de température situé dans le compartiment des produits frais. Pour que le compartiment des produits frais conserve sa température idéale, le capteur ne doit pas être encombré par des aliments.
- Ne placez pas de denrées chaudes dans votre appareil.



3 Installation

⚠ Veuillez noter que le fabricant ne pourra être tenu responsable si les informations fournies dans cette notice d'utilisation ne sont pas respectées.

Points à prendre en compte lorsque vous transportez à nouveau votre produit.

1. Le congélateur/réfrigérateur doit être vidé et nettoyé avant tout transport.
2. Les clayettes, accessoires, bac à légumes, etc. de votre congélateur/réfrigérateur doivent être fixés solidement avec de la bande adhésive avant de remballer l'appareil, pour le protéger en cas de chocs.
3. L'emballage doit être fixé avec une bande adhésive forte et des cordes solides, et les normes de transport indiquées sur l'emballage doivent être appliquées.

Gardez à l'esprit les points suivants...

Chaque matériau recyclé est une participation indispensable à la préservation de la nature et conservation de nos ressources nationales.

Si vous souhaitez contribuer à recycler les matériaux d'emballage, vous pouvez obtenir des informations supplémentaires auprès des organismes environnementaux ou des autorités locales.

Avant de faire fonctionner votre réfrigérateur / congélateur

Avant de commencer à faire fonctionner votre réfrigérateur / congélateur, vérifiez les points suivants :

1. Insérez les 2 cales en plastique entre les câbles du condenseur, tel qu'illustré dans la figure suivante. Les cales en plastique maintiendront la distance nécessaire entre votre congélateur/réfrigérateur et le mur pour permettre une bonne circulation de l'air. (Le schéma présenté est fourni à titre indicatif et peut ne pas correspondre exactement avec votre produit).
2. Nettoyez l'intérieur du congélateur/réfrigérateur tel qu'indiqué dans la section « Entretien et nettoyage ».
3. Vous remarquerez un bruit lorsque le compresseur se met en marche. Le liquide et les gaz intégrés au système du congélateur/réfrigérateur peuvent également faire du bruit, que le compresseur soit en marche ou non. Ceci est tout à fait normal.
4. Les parties antérieures du congélateur/réfrigérateur peuvent chauffer. Ce phénomène est normal. Ces zones doivent en principe être chaudes pour éviter tout risque de condensation.

Branchement électrique

Branchez votre congélateur/réfrigérateur à une prise de mise à la terre protégée par un fusible ayant une capacité appropriée.

Important :

- Le branchement doit être conforme aux normes en vigueur sur le territoire national.
- La fiche de câble d'alimentation doit être facilement accessible après installation.
- La tension spécifiée doit être égale à votre tension de secteur.

- Les rallonges et prises multivoies ne doivent pas être utilisés pour brancher l'appareil.

⚠ Un câble d'alimentation endommagé doit être remplacé par un électricien qualifié.

⚠ L'appareil ne doit pas être mis en service avant d'être réparé ! Un risque de choc électrique existe !

Mise au rebut de l'emballage

Les matériaux d'emballage peuvent être dangereux pour les enfants. Tenez les matériaux d'emballage hors de portée des enfants ou débarrassez-vous-en conformément aux consignes sur les déchets. Ne les jetez pas aux côtés des ordures ménagères ordinaires.

L'emballage de votre appareil est produit à partir des matériaux recyclables.

Mise au rebut de votre ancien réfrigérateur / congélateur

Débarrassez-vous de votre ancien congélateur/réfrigérateur sans nuire à l'environnement.

- Vous pouvez consulter le service après-vente agréé ou le centre chargé de la mise au rebut dans votre municipalité pour en savoir plus sur la mise au rebut de votre produit.

Avant de procéder à la mise au rebut de votre machine, coupez la prise électrique et, le cas échéant, tout verrouillage susceptible de se trouver sur la porte. Rendez-les inopérants afin de ne pas exposer les enfants à d'éventuels dangers.

Disposition et Installation

⚠ Si la porte d'entrée de la pièce où sera installé le congélateur/

réfrigérateur n'est pas assez large pour laisser passer le réfrigérateur / congélateur, appelez alors le service après-vente pour faire retirer les portes du congélateur/réfrigérateur et le faire passer latéralement.

1. Installez le congélateur/ réfrigérateur dans un emplacement qui permette une utilisation pratique.
2. Maintenez le congélateur/ réfrigérateur éloigné de toutes sources de chaleur, des endroits humides et de la lumière directe du soleil.
3. Si le sol est couvert de moquette, votre produit doit être surélevé à 2,5 cm du sol.
4. Placez le congélateur/réfrigérateur sur un a de surface plane afin d'éviter les à-coups.
5. Votre produit nécessite une circulation d'air adéquate pour pouvoir fonctionner efficacement. S'il est placé dans une alcôve, n'oubliez pas de laisser un espace d'au moins 5 cm entre l'appareil, le plafond, la paroi arrière et les parois latérales.
6. S'il est placé dans une alcôve, n'oubliez pas de laisser un espace d'au moins 5 cm entre l'appareil, le plafond, la paroi arrière et les parois latérales. Vérifiez que l'élément de protection d'espace de la façade arrière est présent à son emplacement (au cas où il est fourni avec l'appareil). Si l'élément n'est pas disponible, perdu ou tombé, positionnez l'appareil de manière à laisser un espace d'au moins 5 cm entre la surface arrière de l'appareil et les murs de la pièce. L'espace prévu à l'arrière est important pour le fonctionnement efficace de l'appareil.

Connexion du tuyau d'eau au Congélateur / réfrigérateur

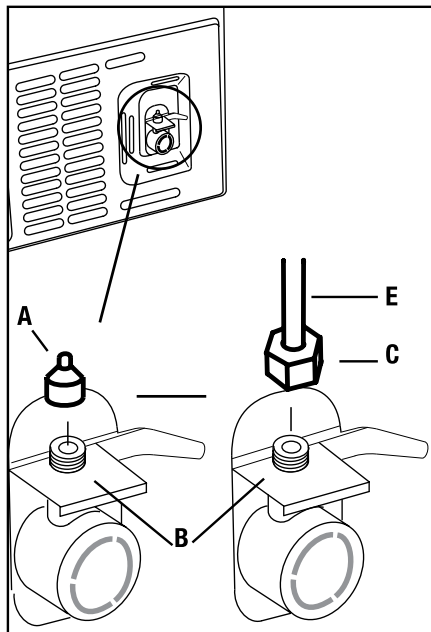
1. Faites glisser le raccord (b) sur le tuyau d'eau (a).
2. Poussez fermement le tuyau d'eau vers le bas afin de le glisser sur le robinet d'arrivée d'eau (c).
3. Serrez manuellement le raccord (c) afin de le sécuriser sur le robinet d'arrivée d'eau.

i En principe, vous ne devez pas serrer le raccord avec un outil. Cependant, vous pouvez utiliser une clé ou des pinces pour le serrer en cas de fuite.

Filtre à eau

(sur certains modèles)

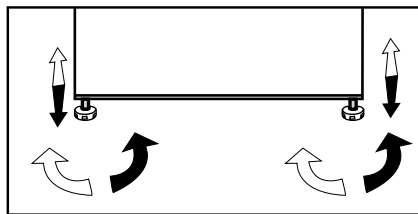
Votre Congélateur / réfrigérateur peut être équipé d'un filtre externe ou interne, selon le modèle. Pour installer le filtre à eau, suivez les instructions ci-dessous, renvoyant aux schémas fournis :



Réglage des pieds

Si le réfrigérateur n'est pas stable.

Vous pouvez équilibrer le réfrigérateur en tournant les pieds avant, tel qu'illustré sur le schéma. Le côté où se trouve le pied s'abaisse lorsque vous tournez dans le sens de la flèche noire, et s'élève lorsque vous tournez dans le sens opposé. Si vous vous faites aider par quelqu'un pour légèrement soulever le réfrigérateur, l'opération s'en trouvera simplifiée.



Remplacement de l'ampoule

Pour remplacer la lampe LED du réfrigérateur, veuillez contacter le service après-vente agréé.

Les ampoules de cet appareil d'électroménager ne sont pas adaptées à une utilisation d'éclairage. L'utilisation recherchée de cette lampe est de permettre à l'utilisateur de placer confortablement et en sécurité les aliments dans le réfrigérateur / coffre.

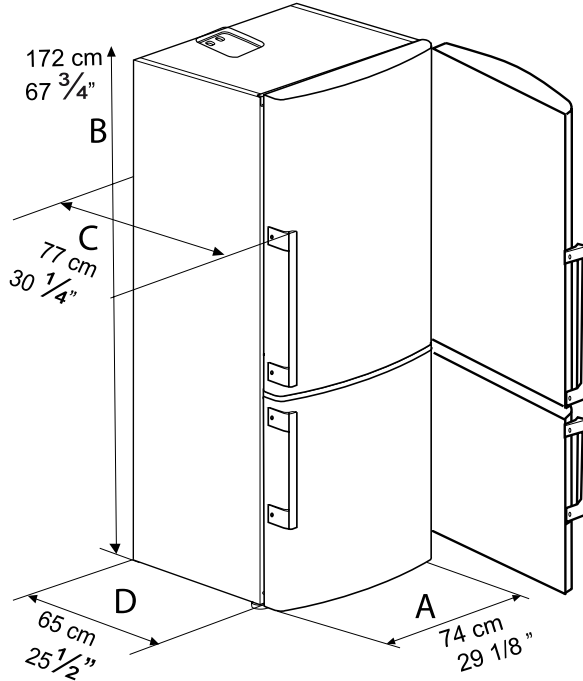
Les voyants utilisés dans cet appareil doivent résister aux conditions physiques extrêmes telles que des températures inférieures à -20°C .

Inversion de la direction de l'ouverture de la porte

Les portes de ce produit ne sont pas réversibles.

4 Préparation

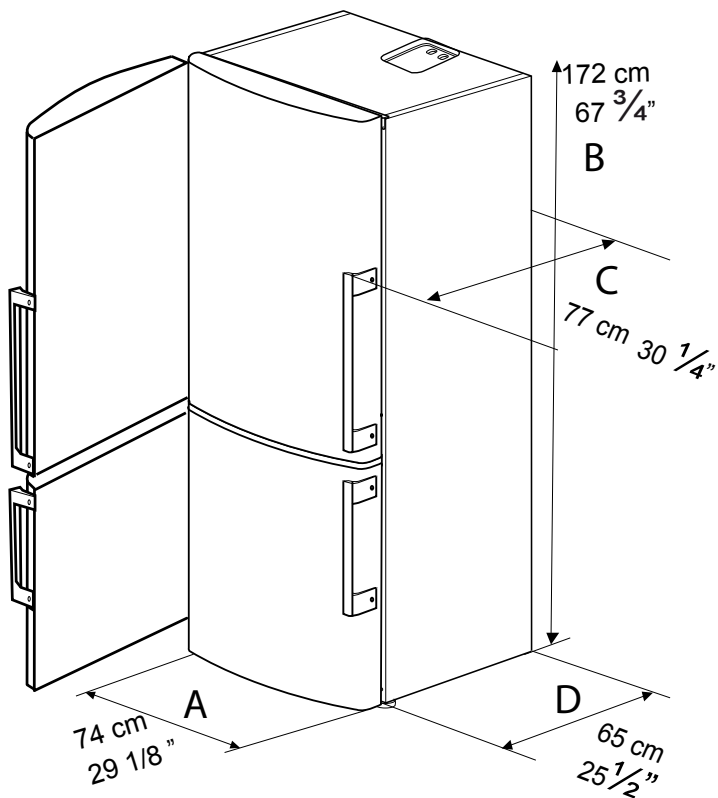
- Votre congélateur / réfrigérateur doit être installé à au moins 30 cm des sources de chaleur telles que les plaques de cuisson, les fours, appareils de chauffage ou cuisinières, et à au moins 5 cm des fours électriques. De même, il ne doit pas être exposé à la lumière directe du soleil.
- Veuillez vous assurer que l'intérieur de votre appareil est soigneusement nettoyé.
- La température ambiante de la pièce où vous installez le congélateur / réfrigérateur doit être d'au moins 50°F/ 10°C. Faire fonctionner l'appareil sous des températures inférieures n'est pas recommandé et pourrait nuire à son efficacité.
- Si deux congélateur / réfrigérateurs sont installés côte à côte, ils doivent être séparés par au moins 2 cm.
- Lorsque vous faites fonctionner le congélateur / réfrigérateur pour la première fois, assurez-vous de suivre les instructions suivantes pendant les six premières heures.
 - La porte ne doit pas être ouverte fréquemment.
 - Le congélateur / réfrigérateur doit fonctionner à vide, sans denrées à l'intérieur.
 - Ne débranchez pas le congélateur / réfrigérateur. Si une panne de courant se produit, veuillez vous reporter aux avertissements dans la section « Solutions recommandées aux problèmes ».
 - L'emballage et les matériaux de protection d'emballage doivent être conservés pour les éventuels transports ou déplacements à venir.
 - Comme l'air chaud et humide ne pénètre pas directement dans votre produit lorsque les portes ne sont pas ouvertes, votre produit optimisera son fonctionnement en fonction des conditions pour protéger vos aliments. Les fonctions et les composants tels que le compresseur, le ventilateur, le chauffage, le dégivrage, l'éclairage, l'affichage, etc. fonctionneront en fonction des besoins pour consommer un minimum d'énergie dans de telles circonstances.



(B) Hauteur (cm/inch)non arpenté	172 - 67 3/4"
(A) largeur (cm/inch)non arpenté	74 -29 1/8"
(C) profondeur (cm/inch)non arpenté	77- 30 1/4"

(B) Hauteur (cm/inch)rythme	182.6-28 3/8 "
(A) largeur (cm/inch)rythme	81.3 -32 "
(C) profondeur (cm/inch)rythme	77.6-30 1/2"

Poids brut (Kg) / lbs	101.5 /223.3
Poids mort (Kg) / lbs	94.6 /208.1



(B) Hauteur (cm/inch)non arpenté	172 - 67 ¾"
(A) largeur (cm/inch)non arpenté	74 -29 1/8"
(C) profondeur (cm/inch)non arpenté	77- 30 ¼"

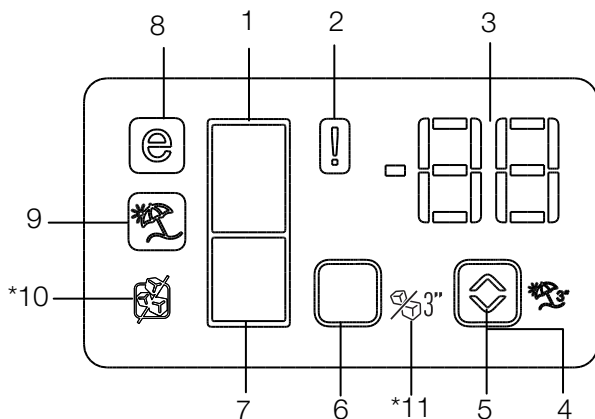
(B) Hauteur (cm/inch)rythme	182.6-28 3/8 "
(A) largeur (cm/inch)rythme	81.3 -32 "
(C) profondeur (cm/inch)rythme	77.6-30 1/2"

Poids brut (Kg) / lbs	101.5 /223.3
Poids mort (Kg) / lbs	94.6 /208.1

5 Utilisation de votre appareil

Bandeau indicateur

Les bandeaux indicateur peuvent varier en fonction du modèle de l'appareil. Les fonctions sonores et visuelles sur le panneau indicateur vous aident dans l'utilisation de votre réfrigérateur.



1. Indicateur du compartiment réfrigérateur
 2. Indicateur d'état de dysfonctionnement
 3. Indicateur de température
 4. Bouton de la fonction Vacances
 5. Bouton de réglage de la température
 6. Bouton de sélection du compartiment
 7. Indicateur du compartiment congélateur
 8. Indicateur mode Économie
 9. Indicateur de Fonction Vacances
 10. *Indicateur de marche/arrêt de la machine à glace
 11. *Indicateur de marche/arrêt de la machine à glace
- *en option**

ⓘ Les illustrations présentées dans cette notice d'utilisation sont schématiques et peuvent ne pas correspondre exactement à votre produit. Si des pièces présentées ne sont pas comprises dans le produit que vous avez acheté, elles sont valables pour d'autres modèles.

1. Indicateur du compartiment réfrigérateur

La lampe du compartiment réfrigérateur s'allume lorsque la température de ce compartiment est réglée.

2. Indicateur d'état de dysfonctionnement

Si la capacité de votre réfrigérateur à refroidir est insuffisante ou en cas de dysfonctionnement du capteur, cet indicateur est activé. Lorsque cet indicateur est activé, "E" s'affiche sur l'indicateur de température du compartiment congélateur, et les nombres tels que "1,2,3..." s'affichent sur l'indicateur de température du compartiment réfrigérateur. Ces numéros sur l'indicateur renseignent le personnel d'entretien sur le dysfonctionnement.

3. Indicateur de température

Indique la température du compartiment congélateur, réfrigérateur.

4. Bouton de la fonction Vacances

Appuyez sur le bouton Vacances pendant 3 secondes pour activer cette fonction. Si la fonction Vacances est activée, "- -" s'affiche sur l'indicateur de température du compartiment réfrigérateur et aucun refroidissement actif n'est sélectionné sur le compartiment réfrigérateur. Il n'est pas adapté de conserver les denrées dans le compartiment réfrigérateur lorsque cette fonction est activée. D'autres compartiments continuent à se refroidir conformément à leur température réglée.

Pour annuler cette fonction, appuyez à nouveau sur le bouton **Vacances**.

5. Bouton de réglage de la température

Modifie la température du compartiment concerné entre -24°C / -11 °F... -18°C / 0°F et 8°C / 46°F ...1°C / 33°F.

6. Bouton de sélection du compartiment

Bouton de sélection : Appuyez sur le bouton de sélection du compartiment pour basculer entre les compartiments réfrigérateur et congélateur.

7. Indicateur du compartiment congélateur

La lampe du compartiment congélateur s'allume lorsque la température du compartiment congélateur est réglée.

8. Indicateur mode Économie

Indique que le réfrigérateur fonctionne en mode d'économie d'énergie. Cet écran sera actif si la température du compartiment congélateur est réglée sur -18°C / 0°F.

9. Indicateur de Fonction Vacances

Indique que la fonction Vacances est activée.

10. *Indicateur de marche/arrêt de la machine à glace

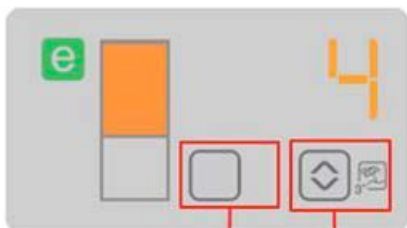
Ce symbole s'affiche à l'écran quand la fonction Ice Off fonction est activée.

11.*Indicateur de marche/arrêt de la machine à glace

Appuyez sur le bouton 6 pendant 3 secondes pour activer / désactiver la glace.

Mode Sabbat :

Appuyez simultanément sur les boutons Sélection et Réglage pendant 3 secondes.



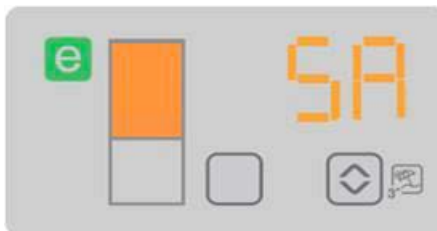
Appuyer sur les deux simultanément pendant 3 sec.

İkisine aynı anda 3 sn. basın

PS et 0 apparaissent alternativement à l'écran.



Appuyez neuf fois sur la touche « Réglage » pour sélectionner « 9 » et appuyez sur « Sélection » pour confirmer « 9 ». Ensuite, l'écran affiche SA. Le mode sabbat est activé.



L'écran ne fonctionne pas en mode Sabbat, l'alarme d'ouverture de porte est désactivée et l'éclairage ne fonctionne pas. L'algorithme de refroidissement spécifique au sabbat est activé. En mode sabbat, l'utilisateur doit appuyer simultanément sur les touches de sélection et de réglage pendant 3 secondes pour désactiver le mode sabbat. Après 72 heures, le mode sabbat se termine automatiquement à moins que l'utilisateur ne le désactive lui-même.

Avertissement - Porte ouverte

(Cette fonction peut varier suivant le type de porte installé sur le produit et peut ne pas exister sur certains modèles.)

Un signal d'avertissement sonore sera donné lorsque la porte du congélateur/ réfrigérateur de votre produit restera ouverte pendant au moins 1 minute. Cet avertissement s'arrête en refermant la porte est fermée ou en appuyant sur n'importe quel bouton de l'affichage.

Système de réfrigération Dual :

Votre congélateur / réfrigérateur est équipé de deux systèmes de réfrigération séparés destinés à refroidir le compartiment des aliments frais et le compartiment congélateur. Ainsi, l'air du compartiment des produits frais et l'air du compartiment congélateur ne sont pas mélangés. Grâce à ce système de réfrigération séparée, les vitesses de réfrigération sont beaucoup plus élevées que pour des congélateur / réfrigérateurs normaux. Les odeurs des compartiments ne sont pas mélangées et, une économie d'énergie supplémentaire est réalisée car la décongélation se fait individuellement.


Congélation des produits frais

- Enveloppez ou couvrez vos aliments avant de les placer au congélateur / réfrigérateur.
 - Laissez refroidir les aliments à la température ambiante avant de les placer au congélateur / réfrigérateur.
 - Les denrées que vous souhaitez congeler doivent être fraîches et en bon état.
- Il est conseillé de séparer les denrées en portions en fonction des besoins quotidiens de votre famille ou par repas.
 - Les denrées doivent être emballées hermétiquement afin d'éviter qu'elles ne s'assèchent, même si elles ne doivent être conservées qu'une courte période.
 - Les matériaux utilisés pour l'emballage doivent résister aux déchirures, au froid, à l'humidité, et doivent être imperméables aux odeurs, aux graisses et aux acides et être hermétiques. Par ailleurs, ils doivent fermer correctement et être composés de matériaux simples d'utilisation et adaptés à un usage dans un congélateur.
 - Les denrées congelées doivent être consommées immédiatement après leur décongélation et elles ne doivent jamais être recongelées.
 - Veuillez respecter les instructions suivantes afin d'obtenir les meilleurs résultats.
1. Ne congelez pas une quantité trop importante à la fois. La qualité des aliments est préservée de façon optimale lorsqu'ils sont entièrement congelés aussi rapidement que possible.
 2. Le fait d'introduire des aliments chauds dans le congélateur entraîne le fonctionnement du système de refroidissement en continu jusqu'à ce que les aliments soient entièrement congelés.
 3. Faites particulièrement attention à ne pas mélanger les produits déjà congelés et les produits frais.

Réglage du compartiment de congélation	Réglage du compartiment de réfrigération	Explications
-18 °C/0 °F	4 °C/39 °F.	Voici le réglage normal recommandé.
-20 °C/-4 °F	3 °C/37 °F.	Ces réglages sont recommandés lorsque la température ambiante dépasse 86 °F/30 °C.
Congélation rapide	4 °C/39 °F.	Cet indicateur est utilisé lorsque vous voulez congeler vos denrées pendant une courte période. Le réfrigérateur retourne au mode de fonctionnement précédent lorsque ce processus est terminé.
Inférieure ou égale à -18 °C/0 °F	3 °C/37 °F.	Si vous pensez que le compartiment de réfrigération n'est pas assez froid à cause de la chaleur ou des ouvertures / fermetures fréquentes de la porte.
Inférieure ou égale à -18 °C/0 °F	Quick Fridge (Réfrigération rapide)	Vous pouvez utiliser ce réglage lorsque le compartiment de réfrigération est surchargé ou lorsque vous souhaitez refroidir rapidement vos denrées. Il est conseillé d'activer la fonction de réfrigération rapide pendant 4 à 8 heures de temps avant d'introduire les denrées.

-15 °C/5 °F	4 °C/39 °F	Utilisez ce réglage du congélateur si vous utilisez le compartiment du congélateur principalement pour l'entreposage de crème glacée.
-------------	------------	---

Utilisation recommandée température: FF: 4°C /40 °F Frz : -18°C/0 °F
Recommandations
concernant la conservation
des aliments congelés

- Pour un compartiment destiné aux denrées congelées  (4 étoiles), les aliments préemballés et surgelés, destinés à un usage commercial, doivent être conservés conformément aux instructions du fabricant de produits congelés.
- Afin de veiller à ce que la qualité supérieure recherchée par le fabricant et le détaillant des produits congelés

soit atteinte, il convient de se rappeler les points suivants :

1. Mettre les emballages dans le congélateur aussi rapidement que possible après achat.
2. S'assurer que le contenu est étiqueté et daté.
3. Ne pas dépasser les dates « à consommer avant le » et « à consommer de préférence avant le » figurant sur l'emballage.

Dégivrage

Le compartiment congélateur se dégivre automatiquement.

Disposition des denrées

Clayettes du compartiment congélation	Différentes denrées congelées comme de la viande, du poisson, des crèmes glacées, des légumes, etc.
Bac à oeufs	Œufs
Clayettes du compartiment de réfrigération	Nourriture dans des casseroles, assiettes couvertes et récipients fermés
Balconnets de la porte du compartiment de réfrigération	Produits ou boissons de petite taille et sous emballage (comme du lait, des jus de fruits ou de la bière)
Bac à légumes	Fruits et légumes
Compartiment Fraîcheur	Produits délicats (fromage, beurre, salami, etc.)

⚠ AVERTISSEMENT !

- Il est conseillé de séparer les denrées en portions en fonction des besoins quotidiens de votre famille ou par repas.
- Les denrées doivent être emballées hermétiquement afin d'éviter qu'elles ne s'assèchent, même si elles ne doivent être conservées qu'une courte période.

Matériaux nécessaires à l'emballage :

- Bande adhésive résistant au froid
- Etiquette autocollante
- Élastiques en caoutchouc
- Stylo

Les matériaux utilisés pour l'emballage des denrées doivent résister aux déchirures, au froid, à l'humidité, et doivent être imperméables aux odeurs, aux graisses et aux acides.

Il faut éviter que les denrées à congeler n'entrent en contact avec des aliments déjà congelés afin d'empêcher le dégel partiel de ces aliments.

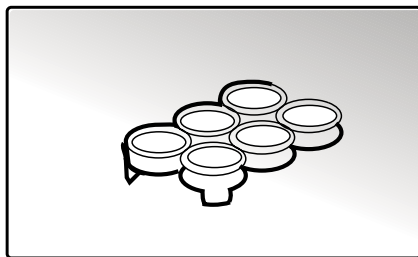
Les denrées congelées doivent être consommées immédiatement après leur décongélation et elles ne doivent jamais être recongelées.

Bac à Oeufs

Vous pouvez placer la section oeufs sur n'importe quelle étagère de la porte. Si vous comptez les ranger dans le corps du réfrigérateur, il est recommandé de choisir les étagères inférieures, car offrent plus de fraîcheur aux produits.

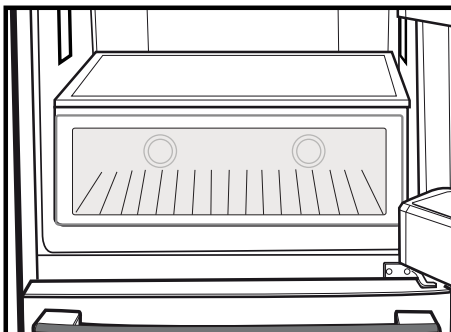
Ne rangez pas d'oeufs dans le compartiment congélateur.

Évitez de mettre les oeufs en contact avec d'autres aliments.



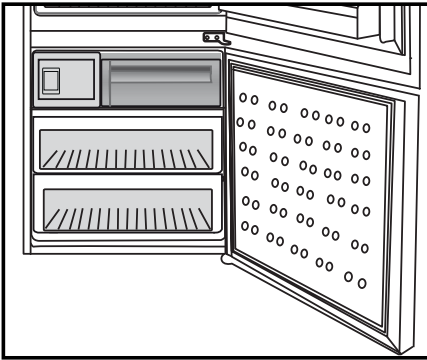
Bluelight *en option

Les denrées conservées dans les bacs à légumes sont éclairées par une lumière bleue qui, grâce aux effets de sa longueur d'onde, permet aux fruits et légumes de continuer la photosynthèse et ainsi de conserver leur fraîcheur et leur teneur en vitamines.



Machine à glace (sur certains modèles)

Le système de Machine à glace automatique permet d'obtenir facilement des glaçons. Après avoir raccordé le tuyau d'alimentation en eau, vous pourrez retirer la glace du tiroir à glace. Les premiers glaçons seront prêts en 4 heures dans le tiroir à glace du Machine à glace situé dans le compartiment congélateur. Ne versez pas d'eau dedans pour faire de la glace car cela pourrait l'endommager. Le bac à glace n'est pas prévu pour y entreposer des aliments.

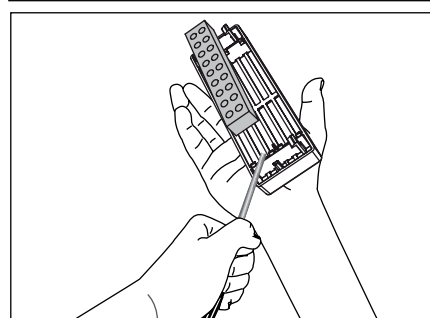
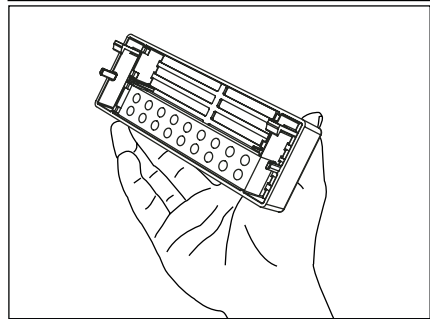
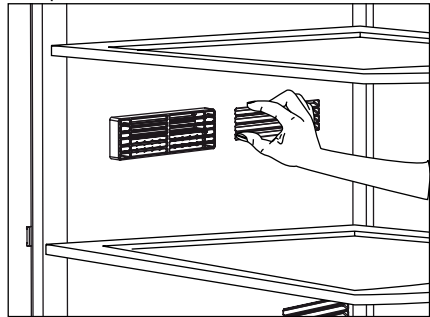


Description et nettoyage du filtre à odeurs :

Le filtre à odeurs empêche la formation d'odeurs désagréables dans votre réfrigérateur.

Tirez sur le couvercle dans lequel le filtre à odeurs est installé et enlevez-le tel qu'illustré. Exposez le filtre à la lumière directe du soleil pendant un jour. Cela contribuera à nettoyer le filtre. Remettez le filtre en place.

Le filtre à odeurs doit être nettoyé une fois par an.



Bac à légumes à humidité régulée (EverFresh+)

***en option**

La fonction de bac à légumes à humidité régulée maintient l'humidité des fruits et légumes sous contrôle et permet de conserver les aliments frais pendant une période beaucoup plus longue.

Nous vous conseillons de placer les légumes à feuilles, comme la laitue, les épinards et les légumes vulnérables à la perte d'humidité, horizontalement dans les bacs à légumes et non verticalement sur leurs racines.

Placez les légumes selon leur poids, les légumes lourds et durs doivent être posés au fond du bac tandis que les légumes légers et tendres seront au-dessus.

Ne laissez pas les légumes dans leurs sachets lorsque vous les placez dans les bacs à légumes. Si vous le faites, les légumes s'abîmeront pendant une très courte période. S'il est nécessaire de séparer les légumes pour des raisons d'hygiène, alors utilisez des matériaux d'emballage en papier poreux plutôt que les sacs en plastique.

Ne placez pas de fruits, principalement la pomme, la poire, l'abricot, la pêche, etc., qui produisent de l'éthylène, aux côtés d'autres légumes-fruits dans le même bac. L'éthylène produit par ces fruits fera mûrir rapidement les autres légumes-fruits qui s'abîmeront ensuite pendant une très courte période.

6 Entretien et nettoyage

- ⚠ N'utilisez jamais d'essence, de benzène ou de matériaux similaires pour le nettoyage.
- ⚠ Nous vous recommandons de débrancher l'appareil avant de procéder au nettoyage.
- ℹ N'utilisez jamais d'ustensiles tranchants, savon, produit de nettoyage domestique, détergent et cirage pour le nettoyage.
- ℹ Pour des appareils qui ne sont pas de la marque No Frost, des gouttes d'eau et une couche de givre pouvant atteindre la largeur d'un doigt se forment sur la paroi arrière du compartiment réfrigérateur. Ne les nettoyez pas et évitez d'y utiliser de l'huile ou des produits similaires.
- ℹ Utilisez uniquement des tissus en microfibrilles légèrement mouillés pour nettoyer la surface externe de l'appareil. Les éponges et autres tissus de nettoyage sont susceptibles de rayer la surface.
- ℹ Utilisez de l'eau tiède pour nettoyer la carrosserie du congélateur / réfrigérateur et séchez-la soigneusement à l'aide d'un chiffon.
- ℹ Utilisez un chiffon humide imbibé d'une solution composée d'une cuillère à café de bicarbonate de soude pour un demi litre d'eau pour nettoyer l'intérieur et séchez soigneusement.
- ⚠ Prenez soin de ne pas faire couler d'eau dans le logement de la lampe et dans d'autres éléments électriques.
- ⚠ En cas de non utilisation de votre congélateur / réfrigérateur pendant une période prolongée, débranchez

le câble d'alimentation, sortez toutes les denrées, nettoyez-le et laissez la porte entrouverte.

- ℹ Inspectez les joints de porte régulièrement pour vérifier qu'ils sont propres et qu'il n'y a pas de résidus de nourriture.
- ℹ Pour retirer les balconnets de portes, sortez tout son contenu puis poussez simplement le balconnet vers le haut à partir de la base.
- ℹ Ne jamais utiliser des produits nettoyants ou de l'eau contenant du chlore pour le nettoyage des surfaces externes et des pièces chromées du produit. Le chlore entraîne la corrosion de ces surfaces métalliques.
- ℹ Évitez d'utiliser des objets tranchants ou abrasifs, du savon, des produits ménagers de nettoyage, des détergents, de l'essence, du benzène, de la cire, ect. ; autrement, les marques sur les pièces en plastique pourraient s'effacer et les pièces elles-mêmes pourraient présenter des déformations. Utilisez de l'eau tiède et un torchon doux pour nettoyer et sécher.

Protection des surfaces en plastique.

- Ne placez pas d'huiles ou de plats huileux dans le congélateur / réfrigérateur dans des récipients non fermés, car les graisses peuvent endommager les surfaces en plastique du congélateur / réfrigérateur. Si vous versez ou éclaboussez de l'huile sur les surfaces en plastique, nettoyez et lavez les parties souillées avec de l'eau chaude immédiatement.

7 Dépannage

Veuillez vérifier la liste suivante avant d'appeler le service après-vente. Cela peut vous faire économiser du temps et de l'argent. Cette liste regroupe les problèmes les plus fréquents ne provenant pas d'un défaut de fabrication ou d'utilisation du matériel. Il se peut que certaines des fonctions décrites ne soient pas présentes sur votre produit.

L'appareil ne fonctionne pas.

- La fiche n'est pas insérée correctement dans la prise. >>> **Insérez correctement la fiche dans la prise.**
- Est-ce que le fusible ou la douille de raccord du réfrigérateur sont connectés ou est-ce que le fusible principal a sauté >>> **Vérifiez le fusible.**

Condensation sur la paroi intérieure du compartiment réfrigérateur. (MULTIZONE, COOL CONTROL et FLEXI ZONE).

- La température ambiante est très froide. >>> **N'installez pas le réfrigérateur dans des endroits où la température peut être inférieure à 10 °C.**
- La porte a été ouverte souvent. >>> **Évitez d'ouvrir et de fermer trop fréquemment la porte du réfrigérateur.**
- L'environnement est très humide. >>> **N'installez pas votre réfrigérateur dans des endroits très humides.**
- La nourriture contenant du liquide est conservée dans des récipients ouverts. >>> **Conservez les aliments comportant des liquides dans des récipients fermés.**
- La porte est entrouverte. >>> **Ne laissez pas les portes du réfrigérateur ouvertes pendant une durée prolongée.**
- Le thermostat est réglé à un niveau très froid. >>> **Réglez le thermostat à un niveau adapté.**

Le compresseur ne fonctionne pas.

- Le dispositif de protection thermique du compresseur sautera en cas de coupures soudaines du courant ou de débranchement intempestif, en effet la pression du liquide réfrigérant du système de refroidissement ne sera pas équilibrée. L'appareil recommencera à fonctionner normalement après 6 minutes environ. Veuillez contacter le Prestataire de Services Agréé si l'appareil ne redémarre pas après cette période.
- Le réfrigérateur est en mode de dégivrage. >>> **Cela est normal pour un réfrigérateur à dégivrage semi-automatique. Le cycle de dégivrage se déclenche régulièrement.**
- L'appareil n'est pas branché. >>> **Assurez-vous que la prise est branchée à la prise.**
- Les réglages de température ne sont pas effectués correctement. >>> **Sélectionnez la température appropriée.**
- Il y a une panne de courant. >>> **Le réfrigérateur recommence à fonctionner normalement après le retour du courant.**

Le niveau sonore augmente lorsque l'appareil est en marche.

- Les caractéristiques de performance de l'appareil peuvent changer en raison des variations de la température ambiante. Cela est normal et n'est pas un défaut.

L'appareil fonctionne fréquemment ou pendant de longue période.

- Votre nouveau réfrigérateur est peut être plus large que l'ancien. Les grands appareils durent plus longtemps.
- La température de la pièce est probablement élevée. >>>Il est normal que l'appareil fonctionne plus longtemps quand la température ambiante est élevée.
- L'appareil a été récemment branché ou rempli avec de la nourriture >>> Quand le réfrigérateur a été branché ou récemment rempli avec de la nourriture, il met plus de temps à atteindre la température réglée. Ce phénomène est normal.
- D'importantes quantités de denrées chaudes ont peut être été introduites dans le réfrigérateur récemment. >>> **Ne mettez pas de nourriture chaude dans le réfrigérateur.**
- Les portes ont peut être été ouvertes fréquemment ou laissées entrouvertes pendant une durée prolongée. >>>L'air chaud qui entre dans le réfrigérateur le fait fonctionner pendant de plus longues périodes. N'ouvrez pas les portes fréquemment.
- La porte du réfrigérateur ou du congélateur ont peut être été laissées entrouvertes. >>>**Vérifiez que les portes sont bien fermées.**
- L'appareil est réglé à une température très basse. >>>**Réglez la température du réfrigérateur à un degré supérieur et attendez que la température réglée soit atteinte.**
- Le joint de la porte du réfrigérateur ou du congélateur peut être sale, déchiré, rompu ou mal en place. >>> **Nettoyez ou remplacez le joint. Tout joint de porte endommagé/déchiré fait fonctionner l'appareil pendant une période de temps plus longue afin de conserver la température actuelle.**

La température du congélateur est très basse alors que celle du réfrigérateur est correcte.

- La température du congélateur est réglée à une température très basse. >>> **Réglez la température du congélateur à un degré supérieur et vérifiez.**

La température du réfrigérateur est très basse alors que celle du congélateur est

- La température du réfrigérateur est réglée à une température très basse. >>> **Réglez la température du réfrigérateur à un degré supérieur et vérifiez.**

Les denrées conservées dans les tiroirs du compartiment de réfrigération sont congelées.

- La température du réfrigérateur est réglée à une température très basse. >>> **Réglez la température du réfrigérateur à un degré inférieur et vérifiez.**

La température dans le réfrigérateur ou le congélateur est très élevée.

- La température du réfrigérateur est réglée à une température très basse. >>> **Le réglage de la température du compartiment réfrigérateur a un effet sur la température du congélateur. Changez les températures du réfrigérateur ou du congélateur et attendez que les compartiments atteignent une température suffisante.**
- Les portes sont ouvertes fréquemment ou laissées entrouvertes pendant une durée prolongée.>>>**N'ouvrez pas les portes fréquemment.**
- La porte est entrouverte. >>>**Refermez complètement la porte.**
- L'appareil a été récemment branché ou rempli avec de la nourriture. >>> **Ce phénomène est normal. Lorsque l'appareil vient d'être branché ou récemment rempli avec de la nourriture, il met plus de temps à atteindre la température réglée.**
- D'importantes quantités de denrées chaudes ont peut être été introduites dans le réfrigérateur récemment. >>> **Ne mettez pas de nourriture chaude dans le réfrigérateur.**

Vibrations ou bruits

- Le sol n'est pas plat ou stable. >>> Si le réfrigérateur balance lorsqu'il est déplacé lentement, équilibrez-le en ajustant sa base. Assurez-vous que le sol est plat et suffisamment solide pour supporter le poids et le volume de l'appareil.
- Les éléments placés sur le réfrigérateur peuvent faire du bruit. >>> Retirez les objets se trouvant dessus.

L'appareil produit des bruits semblables à de l'eau qui coule, à la pulvérisation d'un liquide, etc.

- Des écoulements de gaz et de liquides surviennent dans le réfrigérateur, de par ses principes de fonctionnement >>> C'est un phénomène normal et non un défaut.

Un sifflement sort de l'appareil.

- Les ventilateurs sont utilisés pour refroidir l'appareil. Cela est normal et n'est pas un défaut.

Condensation sur les parois intérieures de l'appareil.

- Un temps chaud et humide augmente la formation de givre et de condensation. C'est un phénomène normal et non un défaut.
- Les portes sont ouvertes fréquemment ou laissées entrouvertes pendant une durée prolongée.>>>N'ouvrez pas les portes fréquemment, fermez-les si elles sont ouvertes.
- La porte est entrouverte. >>>Refermez complètement la porte.

De l'humidité est présente à l'extérieur ou entre les portes de l'appareil.

- Il y a peut être de l'humidité dans l'air ; ceci est tout à fait normal par un temps humide. >>>Lorsque l'humidité est faible, la condensation disparaîtra.

Présence d'une mauvaise odeur dans l'appareil.

- Il n'y a pas de nettoyage régulier effectué. >>> Nettoyez régulièrement l'intérieur de l'appareil avec une éponge, de l'eau tiède ou du carbonate dissout dans l'eau.
- Certains récipients ou matériaux d'emballage peuvent provoquer ces odeurs. >>>Utilisez un autre récipient ou changez de marque de matériau d'emballage.
- Les denrées sont placées dans l'appareil dans des récipients ouverts. >>>Conservez les aliments liquides dans des récipients fermés. Les micro-organismes issus de récipients non fermés peuvent dégager des odeurs désagréables.
- Enlevez les aliments périmés et pourris de l'appareil.

La porte ne se ferme pas.

- Des récipients empêchent la fermeture de la porte. >>> Retirez les emballages qui obstruent la porte.
- Le réfrigérateur n'est pas complètement vertical sur le sol. >>> Ajustez les pieds pour équilibrer l'appareil.
- Le sol n'est pas plat ou solide. >>>Assurez-vous que le sol est plat et suffisamment solide pour supporter le réfrigérateur.

Les bacs à légumes sont coincés.

- Il se peut que les denrées touchent le plafond du tiroir. >>>Disposez à nouveau les denrées dans le tiroir.



AVERTISSEMENT : Si vous ne parvenez pas à résoudre le problème même après avoir suivi les instructions données dans cette section, consultez votre revendeur ou un Prestataire de Services Agréé. N'essayez pas de réparer un produit non fonctionnel vous-même.

⚠ AVERTISSEMENT:

- Ce produit peut vous exposer à des produits chimiques, y compris le nickel (métallique) qui est connu dans l'État de Californie pour provoquer des cancers.
- Pour plus d'informations, rendez-vous sur www.p65warnings.co.gov
- Remarque : Le nickel est un composant de l'acier inoxydable et de certains autres composants métalliques.

DÉCLARATION DE GARANTIE POUR LES RÉFRIGÉRATEURS BEKO

Les garanties offertes par Beko dans ces déclarations s'appliquent uniquement aux réfrigérateurs Beko vendus à l'acheteur ou propriétaire original aux États-Unis et au Canada. La garantie n'est pas transférable. Pour obtenir un service de garantie, veuillez contacter votre distributeur le plus près tel que listé par province. Vous aurez besoin du numéro de modèle du réfrigérateur, du numéro de série, du nom et de l'adresse du détaillant où vous l'avez acheté ainsi que de la date d'achat et de la date d'installation. Cette garantie vous confère des droits légaux spécifiques, et vous pouvez également bénéficier d'autres droits qui peuvent varier d'une province à l'autre. De plus, assurez-vous d'enregistrer votre produit pour la garantie au www.beko.us.

2 ans (*) de garantie complète à partir de la date de la première installation

Beko réparera ou remplacera sans frais pour le consommateur toutes pièces défectueuses du réfrigérateur si utilisé sous des conditions domestiques normales (la garantie est annulée si le produit est utilisé à des fins commerciales par ex. gîtes touristiques, centre de soins, etc.). Le service doit aussi être effectué par une agence de service autorisée par Beko. (Les défauts de fabrication apparents doivent être signalés en dedans de 10 jours ouvrables de l'installation), 2 ans de garantie sur les accessoires, pour les pièces seulement et n'inclut pas la main d'oeuvre.

3-5 ans (*, **) de garantie limitée à partir de la date de la première installation

(pièces seulement 3-5 ans). Beko réparera ou remplacera tous les compresseurs, évaporateurs, condensateurs et déshydrateurs sans frais pour le consommateur si des vices de matériaux ou de main d'oeuvre ont causés des dommages ou des défaillances de ces composants. Le réfrigérateur devra avoir été utilisé sous des conditions domestiques normales et non commercialement (Les frais de main d'oeuvre sont la responsabilité du consommateur).

Exonérations de garantie et exclusions :

La garantie ne couvre pas les frais de service d'un agent de service autorisé pour corriger des problèmes d'installation, électriques ou l'instruction éducationnelle sur l'utilisation du réfrigérateur. La garantie ne couvre pas non plus les défauts ou les dommages causés par une catastrophe naturelle (comme des tempêtes, des inondations, des incendies, des coulées de boue, etc.), des dommages causés par l'utilisation du réfrigérateur dans des buts autres que ceux pour lesquels il a été conçu, mauvaise utilisation, abus, accident, altération, mauvaise installation, entretien, frais de déplacements, appels de service en dehors des heures de service normales, ramassage et livraison, toute perte d'aliments à cause d'une défectuosité du produit, service non autorisé ou personne de service non autorisée.

Ce produit a subi des tests complets et a eu des inspections d'assurance de qualité officiels avant de quitter le site de fabrication original. Les conditions de garantie pour cet électroménager Beko n'est pas valide si le produit a été altéré, tripoté, modifié, si des pièces supplémentaires ont été assemblées, fixées et réemballées par un distributeur autorisé, une personne d'entretien, un détaillant de tierce partie, un revendeur ou par toute(s) autre(s) personne(s) non autorisée(s).

DANS LA LIMITE DE CE QUI EST AUTORISÉ PAR LA LOI, CETTE GARANTIE TIEN T LIEU DE TOUTES LES AUTRES GARANTIES, EXPRESSES OU IMPLICITES, Y COMPRIS LES GARANTIES IMPLICITES DE QUALITÉ MARCHANDE ET D'ADAPTATION À UN USAGE PARTICULIER. BEKO DÉCLINE TOUTE RESPONSABILITÉ EN CE QUI A TRAIT À LA QUALITÉ DE CE PRODUIT SAUF MENTION CONTRAIRE DANS CETTE DÉCLARATION DE GARANTIE. BEKO N'ASSUME AUCUNE RESPONSABILITÉ QUAND À L'ADAPTATION DU PRODUIT POUR TOUT BUT PARTICULIER POUR LEQUEL VOUS POURRIEZ ACHETER CE PRODUIT, SAUF MENTION CONTRAIRE DANS CETTE DÉCLARATION DE GARANTIE.

Beko n'assume aucune responsabilité pour les dommages indirects ou consécutifs. De tels dommages incluent, mais sans s'y limiter, la perte de profits, la perte d'épargnes ou de revenus, la perte de l'utilisation du réfrigérateur ou de tout équipement associé, le coût du capital, le coût de tout équipement substitué, installations ou services, pannes, les réclamations de tiers, et des dommages à la propriété. Certaines provinces n'autorisent pas l'exclusion ou la limitation des dommages accessoires ou indirects, de sorte que les limitations ou exclusions ci-dessus peuvent ne pas s'appliquer à vous.

(*) La date d'installation réfère à la date d'achat ou à 5 jours ouvrables après la livraison du produit à la maison, la plus tardive de ces deux dates prévalant.

(**) Les pièces remplacées assumeront l'identité des pièces originales + leur garantie originale.

Aucune autre garantie. Cette déclaration de garantie est la garantie complète et exclusive du fabricant. Aucun employé de Beko ou autre tiers n'est autorisé à faire des déclarations de garantie en plus de celles énoncées dans cette Déclaration de garantie.

Veuillez conserver cette carte de garantie, manuel d'utilisation et votre reçu de caisse pour référence future.

COMMENT CONTACTER LE SERVICE

Veuillez contacter votre distributeur local agréé Beko, ou appelez gratuitement notre service téléphonique d'assistance à la clientèle au numéro 1-888-352 BEKO (2356) pour parler à un Agent de service autorisé Beko ou allez sur notre site à l'adresse <http://www.beko.us>. Vous pouvez également consulter la liste des distributeurs agréés dans la section « Où acheter » de notre site web pour des détails supplémentaires.

Lea este manual antes de utilizar el frigorífico.

Estimado cliente:

Esperamos que este producto, que ha sido fabricado en plantas dotadas de la más avanzada tecnología y sometido a los más estrictos procedimientos de control de calidad, le preste un servicio eficaz.




Para ello, le recomendamos que lea atentamente el presente manual antes de utilizar el producto, y que lo tenga a mano para futuras consultas.

Este manual

- Le ayudará a usar el electrodoméstico de manera rápida y segura.
- Lea el manual antes de instalar y poner en funcionamiento el producto.
- Siga las instrucciones, en particular las relacionadas con la seguridad.
- Conserve el manual en un sitio de fácil acceso, ya que podría necesitarlo en el futuro.
- Además, lea también otros documentos suministrados junto con el producto.
- Tenga en cuenta que este manual también podría ser válido para otros modelos.

Símbolos y sus descripciones

El presente manual de instrucciones emplea los siguientes símbolos:

-  Información importante o consejos útiles sobre el funcionamiento.
-  Advertencia sobre situaciones peligrosas para la vida y la propiedad.
-  Advertencia acerca de la tensión eléctrica.

ÍNDICE

1 Frigorífico 3

1 Frigorífico 4

2 Información importante sobre seguridad 5

Productos equipados con dispensador de agua:	8
Seguridad infantil	8
Conformidad con la normativa WEEE y eliminación del aparato al final de su vida útil:	8
Cumplimiento de la directiva RoHS: ...	9
Información sobre el embalaje	9
Advertencia sobre la seguridad de la salud	9
Consejos para el ahorro de energía .	10
Recomendaciones para el compartimento de alimentos frescos	11

3 Instalación 12

Cuestiones a considerar a la hora de transportar el frigorífico	12
Antes de usar el frigorífico.....	12
Conexiones eléctricas.....	12
Eliminación del embalaje.....	13
Eliminación de su viejo frigorífico.....	13
Colocación e instalación	13
Conexión de la manguera de agua al frigorífico.....	14
Ajuste de los pies	14
Cambio de la bombilla de iluminación	14

4 Preparación 15

5 Uso del frigorífico 18

Panel indicador.....	18
Aviso de puerta abierta.....	21
Doble sistema de enfriamiento:.....	21
Congelación de alimentos frescos ...	21
Recomendaciones para la conservación de alimentos congelados.....	22
Colocación de los alimentos	23
Bandeja para huevos.....	24
Luz azul	24
Máquina de hielo	24
Descripción y limpieza del filtro antiolores:.....	25
Compartimento para verduras con control de humedad	25
(EverFresh+)	25

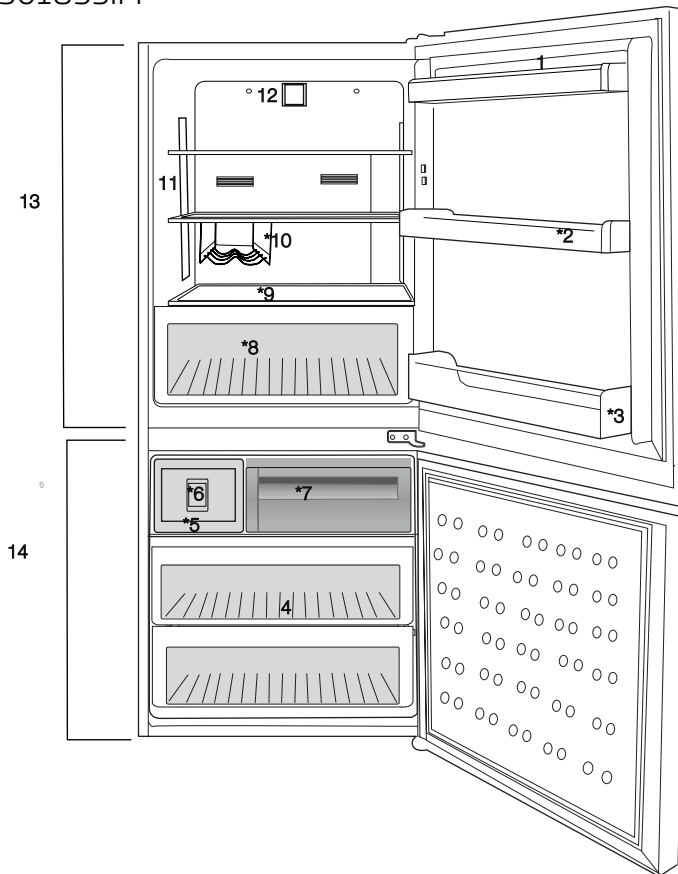
6 Mantenimiento y limpieza 26

Protección de las superficies de plástico.....	26
--	----

7 Sugerencias para la solución de problemas 27

1 Frigorífico

BFBF3018SS
BFBF3018SSIM



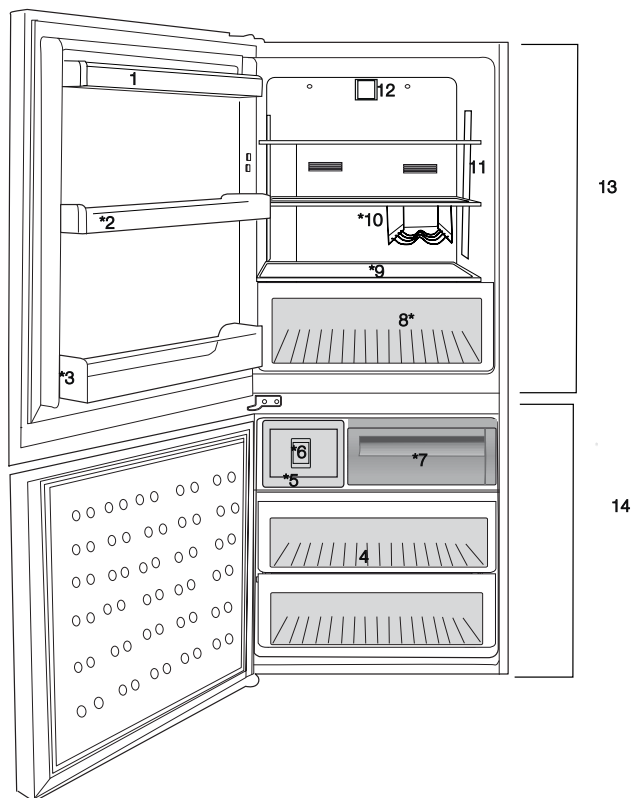
1. Huevera
 2. Estante del compartimento refrigerador
 3. Estante para botellas
 4. Cajones del compartimento congelador
 5. Contenedor de hielo
 6. máquina de hielo
 7. Cajón del compartimento de enfriamiento rápido
 8. Cajón de frutas y verduras
 9. Estantes de vidrio ajustables
 10. Botellero
 11. Lente de iluminación
 12. Ventilador
 13. Compartimento frigorífico
 14. Compartimento congelador
- * OPCIONAL**

i Las ilustraciones incluidas en el presente manual de instrucciones son esquemáticas y puede que no se adecúen a su aparato con exactitud. Si alguno de los elementos reflejados no se corresponde con el aparato que usted ha adquirido, entonces será válido para otros modelos.

1 Frigorífico

BFBF3018SSL

BFBF3018SSIML



- | | |
|---|----------------------------------|
| 1. Huevera | 8. Cajón de frutas y verduras |
| 2. Estante del compartimento refrigerador | 9. Estantes de vidrio ajustables |
| 3. Estante para botellas | 10. Botellero |
| 4. Cajones del compartimento congelador | 11. Lente de iluminación |
| 5. Contenedor de hielo | 12. Ventilador |
| 6. máquina de hielo | 13. Compartimento frigorífico |
| 7. Cajón del compartimento de enfriamiento rápido | 14. Compartimento congelador |
- * OPCIONAL**

☐ Las ilustraciones incluidas en el presente manual de instrucciones son esquemáticas y puede que no se adecúen a su aparato con exactitud. Si alguno de los elementos reflejados no se corresponde con el aparato que usted ha adquirido, entonces será válido para otros modelos.

2 Información importante sobre seguridad

Lea con atención la siguiente información. No tener en cuenta dicha información podría acarrear lesiones o daños materiales. En tal caso, las garantías y los compromisos de fiabilidad quedarían anulados.

La vida útil de la unidad adquirida es de 10 años. Éste es el período durante el cual se garantiza la disponibilidad de las piezas de repuesto para la unidad.

Finalidad prevista

ADVERTENCIA:

Asegúrese de que cuando el dispositivo está en su custodia o durante su montaje en el alojamiento, los orificios de ventilación no están cerrados.

ADVERTENCIA:

Con el fin de acelerar la operación de derretimiento del hielo, no utilice cualquier dispositivo o aparato mecánico que no es recomendado por el fabricante.

ADVERTENCIA:

No dañe el circuito de fluido refrigerante.

ADVERTENCIA:

No utilice dispositivos eléctricos que no estén recomendados por el fabricante en los compartimentos del dispositivo para la conservación de alimentos.

Este dispositivo está diseñado para ser utilizado en el hogar o en las siguientes aplicaciones similares:

- Con el fin de ser utilizado en las cocinas para el personal de las tiendas, oficinas y otros lugares de trabajo;
- Con el fin de ser utilizado por los clientes en casas de campo y hoteles, moteles y otros lugares de alojamiento:
 - en entornos tales pensiones;
 - en lugares similares que no ofrecen servicios de restauración y no es al por menor.

Seguridad general

- Cuando desee deshacerse del aparato, le recomendamos que solicite a su servicio técnico autorizado la información necesaria a este respecto, así como la relación de entidades locales a las que puede dirigirse.
- En caso de dudas o problemas, diríjase a su servicio técnico autorizado. No intente reparar el frigorífico sin consultar con el servicio técnico, ni deje que nadie lo haga.
- Para aparatos equipados con un compartimento congelador: no consuma los helados o cubitos de hielo inmediatamente después de sacarlos del compartimento congelador, ya que podría sufrir daños en su boca a causa del frío.
- Para aparatos equipados con un compartimento congelador: no deposite bebidas embotelladas o

enlatadas en el compartimento congelador, ya que podrían estallar.

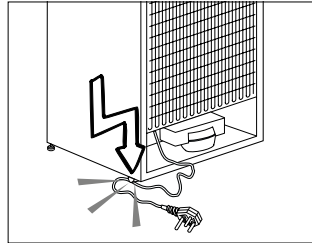
- No toque con la mano los alimentos congelados, ya que podrían adherirse a ella.
- Desenchufe su frigorífico antes de proceder a su limpieza o deshielo.
- No utilice nunca materiales de limpieza que usen vapor para limpiar o descongelar el frigorífico. El vapor podría entrar en contacto con los elementos eléctricos y causar cortocircuitos o descargas eléctricas.
- No utilice nunca elementos del frigorífico tales como la puerta como medio de sujeción o como escalón.
- No utilice aparatos eléctricos en el interior del frigorífico.
- Evite dañar el circuito del refrigerante con herramientas cortantes o de perforación. El refrigerante que puede liberarse si se perforan los canales de gas del evaporador, los conductos o los recubrimientos de las superficies causa irritaciones en la piel y lesiones en los ojos.
- No cubra ni bloquee los orificios de ventilación de su frigorífico con ningún material.
- Deje la reparación de los aparatos eléctricos únicamente en manos de personal autorizado. Las reparaciones realizadas por personas incompetentes generan riesgos para el usuario.
- En caso de fallo o cuando

vaya a realizar cualquier operación de reparación o mantenimiento, desconecte el frigorífico de la corriente apagando el fusible correspondiente o bien desenchufando el aparato.

- No desenchufe el aparato de la toma de corriente tirando del cable.
- Coloque las bebidas de mayor graduación alcohólica juntas y en posición vertical.
- No almacene en el frigorífico aerosoles que contengan sustancias inflamables o explosivas.
- No utilice dispositivos mecánicos u otros medios para acelerar el proceso de deshielo distintos de los recomendados por el fabricante.
- Este aparato no debe ser utilizado por niños o por personas con sus facultades físicas, sensoriales o mentales reducidas o bien que carezcan de la experiencia y los conocimientos necesarios, a menos que lo hagan bajo la supervisión de personas responsables de su seguridad o bien tras haber recibido instrucciones de uso por parte de dichas personas.
- No utilice un frigorífico que haya sufrido daños. Consulte con el servicio de atención al cliente en caso de duda.
- La seguridad eléctrica de su frigorífico sólo estará garantizada si el sistema de toma de tierra de su domicilio se ajusta a los estándares.

- Desde el punto de vista de la seguridad eléctrica, es peligroso exponer el aparato a la lluvia, la nieve o el viento.
- Póngase en contacto con el servicio técnico autorizado en caso de que el cable de alimentación principal se dañe, para evitar cualquier peligro.
- Nunca enchufe el frigorífico en la toma de corriente durante su instalación. Existe peligro de lesiones graves e incluso de muerte.
- Este frigorífico está únicamente diseñado para almacenar alimentos. No debe utilizarse para ningún otro propósito.
- La etiqueta que contiene los datos técnicos del frigorífico se encuentra en la parte interior izquierda del mismo.
- Jamás conecte el frigorífico a sistemas de ahorro de electricidad, ya que podría dañarlo.
- Si el frigorífico está equipado con una luz azul, no la mire a través de dispositivos ópticos.
- En los frigoríficos de control manual, si se produce un corte del fluido eléctrico espere al menos 5 minutos antes de volver a ponerlo en marcha.
- Cuando entregue este aparato a un nuevo propietario, asegúrese de entregar también este manual de instrucciones.
- Tenga cuidado de no dañar el cable de alimentación al transportar el frigorífico. Doblar el cable podría causar un incendio. Nunca deposite

objetos pesados encima del cable de alimentación. No toque el enchufe con las manos mojadas para conectar el aparato.



- No enchufe el frigorífico si el enchufe no encaja con firmeza en la toma de corriente de la pared.
- Por razones de seguridad, no pulverice agua directamente en la partes interiores o exteriores de este aparato.
- No rocíe cerca del frigorífico sustancias que contengan gases inflamables tales como gas propano para evitar riesgos de incendio y explosiones.
- Nunca coloque recipientes con agua sobre el frigorífico, ya que podría provocar una descarga eléctrica o un incendio.
- No deposite cantidades excesivas de alimentos en el frigorífico. Si lo hace, al abrir la puerta del frigorífico los alimentos podrían caerse y provocar lesiones personales o dañar el frigorífico. Nunca coloque objetos sobre el frigorífico, ya que podrían caer al abrir o cerrar la puerta.
- No guarde en el frigorífico productos que necesiten un control preciso de la

temperatura tales como vacunas, medicamentos sensibles al calor, materiales científicos, etc.

- Desenchufe el frigorífico si no lo va a utilizar durante un periodo prolongado de tiempo. Un problema en el cable de alimentación podría causar un incendio.
- El frigorífico podría moverse si los pies no están adecuadamente asentados en el suelo. Fijar adecuadamente los pies del frigorífico en el suelo puede ayudar a evitar que se mueva.
- Cuando transporte el frigorífico, no lo aferre del asa de la puerta. De lo contrario, podría romperla.
- Cuando tenga que colocar el frigorífico cerca de otro frigorífico o congelador, deberá dejar un espacio entre ambos aparatos de 8 cm como mínimo. De lo contrario, podría formarse humedad en las paredes adyacentes.

Productos equipados con dispensador de agua:

- La presión en la entrada de agua fría sera a un máximo de 90 psi (620 kPa). Si la presión del agua es superior a 80 psi (550 kPa), utilice una válvula limitadora de presión en el sistema de red. Si usted no sabe cómo controlar la presión del agua, pida la ayuda de un plomero profesional.
- Si hay riesgo de golpe de ariete en la instalación, siempre utilice un equipo de

prevención contra golpes de ariete en la instalación. Consulte a un fontanero profesional si no está seguro de que no hay un efecto del golpe de ariete en la instalación.

- No instale en la entrada de agua caliente. Tome precauciones contra el riesgo de congelación en las mangueras. El intervalo de funcionamiento de la temperatura del agua debe ser un mínimo de 33°F (0.6°C) y un máximo de 100°F (38°C).
- Use agua potable únicamente.

Seguridad infantil

- Si la puerta tiene cerradura, mantenga la llave fuera del alcance de los niños.
 - Vigile a los niños para evitar que manipulen el aparato.
- ⚠ **PELIGRO:** Riesgo de atrapamiento para los niños. Antes de tirar su nevera o congelador viejo: Retire las puertas y coloque los estantes de manera que los niños no puedan trepar con facilidad al interior.

Conformidad con la normativa WEEE y eliminación del aparato al final de su vida útil:



Este producto es conforme con la directiva de la UE sobre residuos de aparatos eléctricos y electrónicos (WEEE) (2012/19/UE). Este

producto incorpora el símbolo de la clasificación selectiva para los residuos de aparatos eléctricos y electrónicos (WEEE). Este aparato se ha fabricado con piezas y materiales de primera calidad, que pueden ser reutilizados y son aptos para el reciclado. No se deshaga del producto junto con sus los residuos domésticos normales y de otros tipos al final de su vida útil. Llévelo a un centro de reciclaje de dispositivos eléctricos y electrónicos. Solicite a las autoridades locales información acerca de dichos centros de recogida.

Cumplimiento de la directiva RoHS:

El producto que ha adquirido es conforme con la directiva de la UE sobre la restricción de sustancias peligrosas (RoHS) (2011/65/UE). No contiene ninguno de los materiales nocivos o prohibidos especificados en la directiva.

Información sobre el embalaje

El embalaje del aparato se fabrica con materiales reciclables, de acuerdo con nuestro Reglamento Nacional sobre Medio Ambiente. No elimine los materiales de embalaje junto con los residuos domésticos o de otro tipo. Llévelos a un punto de recogida de materiales de embalaje designado por las autoridades locales.

- “Póngase en contacto con personal cualificado para su eliminación.”
- “Póngase en contacto con personal cualificado para el mantenimiento.”

⚠ **PELIGRO:** Riesgo de que los niños queden atrapados. Antes de deshacerse de su viejo frigorífico o congelador:

- Retire las puertas.
- Deje los estantes en su sitio para evitar que los niños puedan meterse en el frigorífico con facilidad.

Advertencia sobre la seguridad de la salud Si el sistema de refrigeración de su aparato contiene R600a:

Este gas es inflamable. Por lo tanto, procure no dañar el sistema de enfriamiento ni sus conductos durante el uso o el transporte del aparato. En caso de daños, mantenga el aparato alejado de fuentes potenciales de ignición que puedan provocar que éste sufra un incendio, y ventile la estancia en la que se encuentre el aparato.

⚠ **PELIGRO** – Riesgo de incendio o explosión. Se usa refrigerante inflamable. No use aparatos mecánicos para descongelar el frigorífico. Evite perforar los tubos de refrigerante.

⚠PELIGRO – Riesgo de incendio o explosión. Se usa refrigerante inflamable. Las reparaciones deben correr a cargo únicamente de personal de asistencia adiestrado. Evite perforar los tubos de refrigerante.

⚠PELIGRO – Riesgo de incendio o explosión. Se usa refrigerante inflamable. Consulte el manual de reparaciones o la guía del propietario antes de intentar reparar este producto. Es preciso observar todas las precauciones de seguridad.

⚠PELIGRO – Riesgo de incendio o explosión. Deshágase del aparato adecuadamente, según lo dispuesto por las normativas nacionales o locales. Se usa refrigerante inflamable.

⚠PRECAUCIÓN– Riesgo de incendio o explosión debido a la perforación de los tubos de refrigerante; siga las instrucciones cuidadosamente. Se usa refrigerante inflamable.

Ignore esta advertencia si el sistema de refrigeración de su aparato contiene R134a.

El tipo de gas utilizado en el aparato se indica en la placa de datos ubicada en la pared interior izquierda del frigorífico. Jamás arroje el aparato al fuego.

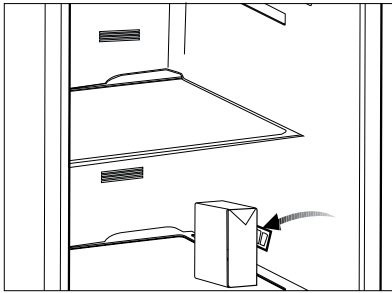
Consejos para el ahorro de energía

- No deje las puertas del frigorífico abiertas durante periodos largos de tiempo.
- No introduzca alimentos o bebidas calientes en el frigorífico.
- No sobrecargue el frigorífico, ya que entorpecería la circulación del aire en su interior.
- No instale el frigorífico de forma que quede expuesto a la luz solar directa o cerca de aparatos que irradian calor tales como hornos, lavavajillas o radiadores.
- Procure depositar los alimentos en recipientes cerrados.
- Productos equipados con compartimento congelador: puede disponer del máximo volumen para el depósito de alimentos retirando el estante o el cajón del congelador. El consumo energético que se indica para su frigorífico se ha calculado retirando el estante o el cajón del congelador y en condiciones de máxima carga. No existe ningún riesgo en la utilización de un estante o cajón según las formas o tamaños de los alimentos que se van a congelar.
- Descongele los alimentos congelados en el compartimento frigorífico; ahorrará energía y preservará la calidad de los alimentos.

Recomendaciones para el compartimento de alimentos frescos

* OPCIONAL

- No deje que los alimentos entren en contacto con el sensor de temperatura del compartimento de alimentos frescos. Para mantener el compartimento de alimentos frescos a una temperatura ideal para el almacenamiento, es necesario que el sensor no quede obstruido por los alimentos.
- No deposite comida caliente en el frigorífico.



3 Instalación

⚠ Recuerde que el fabricante declina toda responsabilidad en caso de incumplimiento de las instrucciones de este manual.

Cuestiones a considerar a la hora de transportar el frigorífico

1. El frigorífico debe estar vacío y limpio antes de proceder a su transporte.
2. Los estantes, accesorios, el cajón de frutas y verduras, etc., deben sujetarse con cinta adhesiva antes de embalar el frigorífico para evitar que se muevan.
3. Encinte el frigorífico una vez embalado con cinta gruesa y fijelo con cuerdas resistentes. Siga las reglas de transporte que encontrará impresas en el propio embalaje.

No olvide que:

El reciclaje de materiales es un asunto de vital importancia para la naturaleza y para los recursos del país.

Si desea contribuir al reciclaje de los materiales de embalaje, solicite más información a los responsables medioambientales de su zona o a las autoridades locales.

Antes de usar el frigorífico

Antes de empezar a usar el frigorífico, verifique lo siguiente:

1. El interior del frigorífico está seco y el aire puede circular con libertad por su parte posterior.
2. Introduzca 2 cuñas plásticas en la ventilación trasera, como se muestra en la figura siguiente. Las cuñas de plástico proporcionarán la distancia requerida entre su frigorífico y la pared para una correcta circulación del aire.

3. Limpie el interior del frigorífico de la forma recomendada en la sección “Mantenimiento y Limpieza”.
4. Enchufe el frigorífico a la toma de corriente. Al abrir la puerta del frigorífico, la luz interior del compartimento frigorífico se enciende.
5. Se oye un sonido cuando arranca el compresor. El líquido y los gases contenidos en el sistema de refrigeración pueden también generar ruidos, incluso aunque el compresor no esté funcionando, lo cual es normal.
6. Es posible que las aristas delanteras del aparato se noten calientes al tacto. cosa que es perfectamente normal. Estas zonas deben permanecer calientes para evitar la condensación.

Conexiones eléctricas

Conecte el frigorífico a una toma de corriente provista de toma de tierra y protegida por un fusible de la capacidad adecuada.

Importante:

- La conexión debe cumplir con las normativas nacionales.
- El enchufe de alimentación debe ser fácilmente accesible tras la instalación.
- La tensión especificada debe corresponder a la tensión de la red eléctrica.
- No use cables de extensión ni enchufes múltiples para conectar la unidad.

⚠ Todo cable de alimentación dañado debe ser reemplazado por un electricista cualificado.

⚠ No ponga en funcionamiento el aparato hasta que esté reparado, ya que existe peligro de cortocircuito.

Eliminación del embalaje

Los materiales de empaque pueden ser peligrosos para los niños.

Manténgalos fuera de su alcance o deshágase de ellos clasificándolos según las instrucciones para la eliminación de residuos. No los tire junto con los residuos domésticos normales.

El embalaje del frigorífico se ha fabricado con materiales reciclables.

Eliminación de su viejo frigorífico

Deshágase de su viejo frigorífico de manera respetuosa con el medio ambiente.

- Consulte las posibles alternativas a un distribuidor autorizado o al centro de recogida de residuos de su municipio.

Antes de proceder a la eliminación del frigorífico, corte el enchufe y, si las puertas tuvieran cierres, destrúyalos para evitar que los niños corran riesgos.

Colocación e instalación

⚠ Si la puerta de entrada a la estancia donde va a instalar el frigorífico no es lo suficientemente ancha como para permitir su paso, solicite al servicio técnico que retire las puertas del frigorífico y lo pase de lado a través de la puerta.

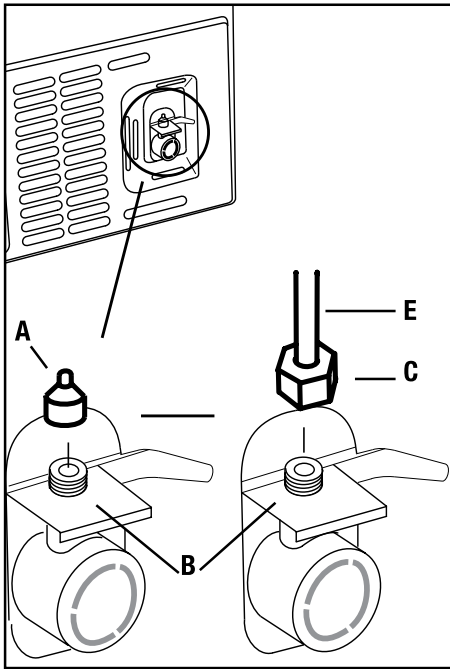
1. 1. Instale el frigorífico en un lugar en el que pueda utilizarse con comodidad.
2. 2. Mantenga el frigorífico alejado de fuentes de calor y lugares húmedos y evite su exposición directa a la luz solar.

3. 3. Si el suelo está cubierto con una alfombra, deberá elevar el frigorífico 2,5 cm del suelo.
4. 4. Coloque el frigorífico sobre una superficie lisa para evitar sacudidas.
5. 5. Su producto requiere una circulación de aire adecuada para funcionar eficientemente. Si el producto va a ser colocado en un hueco, recuerde dejar al menos 5 cm de espacio entre el producto y el techo, la pared trasera y las paredes laterales.
6. 6. Si el producto va a ser colocado en un hueco, recuerde dejar al menos 5 cm de espacio entre el producto y el techo, la pared trasera y las paredes laterales. Compruebe si el componente de protección de la parte trasera se encuentra colocado en su lugar (en caso de ser suministrado con el producto). Si el componente no está disponible, o si se pierde o se cae, coloque el producto de manera que quede un espacio libre, de al menos 5 cm, entre la superficie trasera del producto y la pared de la habitación. El espacio libre en la parte trasera es importante para el funcionamiento eficiente del producto.

Conexión de la manguera de agua al frigorífico

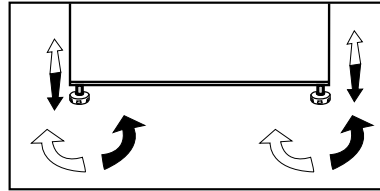
1. Inserte la manguera de agua (a) en el racor (b).
2. Empuje la manguera del agua hacia abajo con fuerza para que se introduzca en la válvula de entrada de agua (c).
3. Apriete el racor (c) manualmente para fijarlo en la manguera de entrada de agua.

i Normalmente, no se necesita una herramienta para apretar el racor. Sin embargo, puede utilizar una llave o alicate para apretar el racor si hay una fuga



Ajuste de los pies

Si su frigorífico no está equilibrado: Puede equilibrar el frigorífico girando los pies delanteros tal como se muestra en la ilustración. La esquina correspondiente al pie que está manipulando descenderá al girar el pie en la dirección de la flecha negra y se elevará al girarlo en la dirección opuesta. Le será más fácil realizar esta operación si le pide a alguien que levante ligeramente el frigorífico.



Cambio de la bombilla de iluminación

Para cambiar la bombilla utilizada para iluminar el frigorífico, póngase en contacto con el servicio técnico autorizado.

Las bombillas de este electrodoméstico no sirven para la iluminación en el hogar. Su propósito es el de ayudar al usuario a colocar los alimentos en el frigorífico o congelador de forma cómoda y segura.

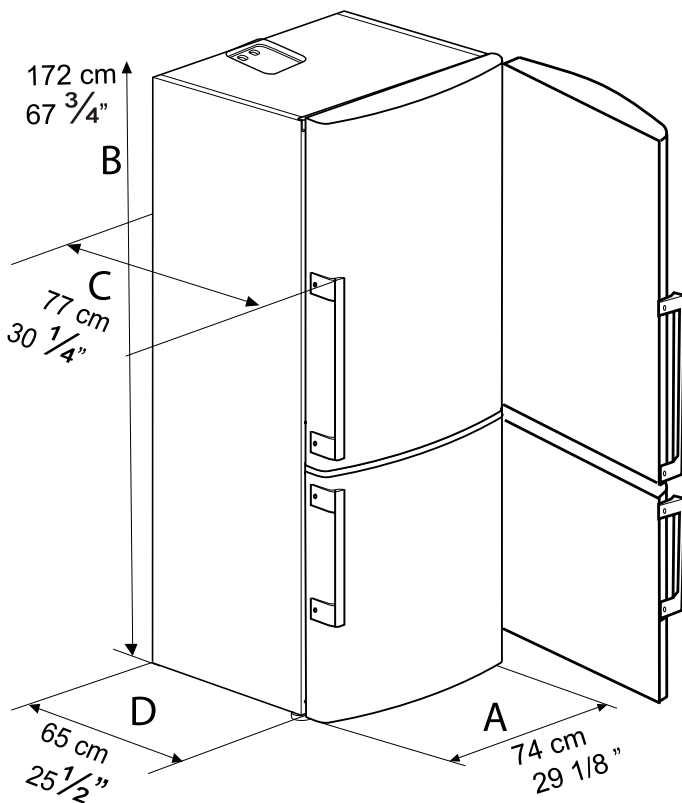
Las lámparas utilizadas en este electrodoméstico soportan unas condiciones físicas extremas como temperaturas inferiores a -20°C .

Cambio de la dirección de apertura de la puerta

Las puertas de este producto no pueden cambiarse de dirección.

4 Preparación

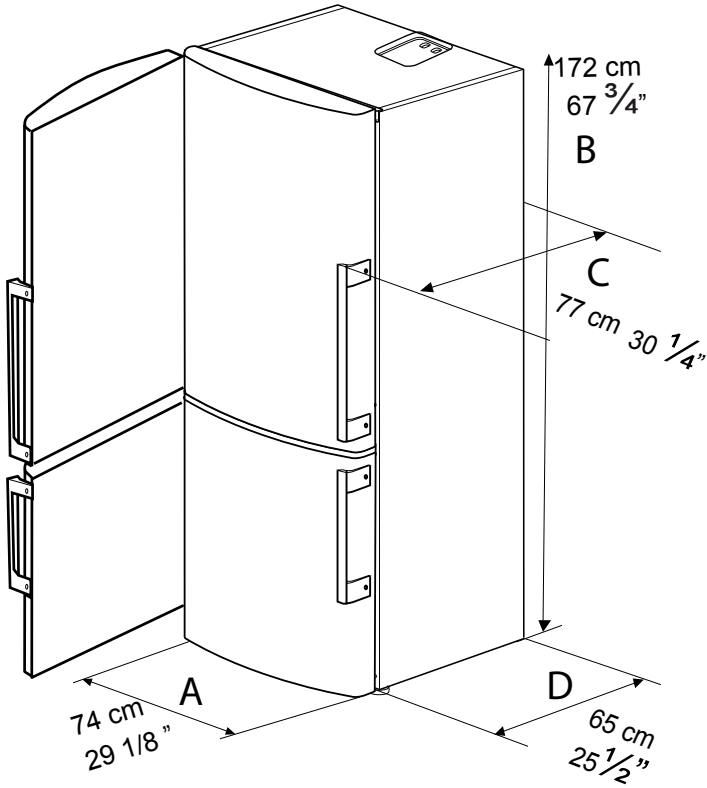
- i** El frigorífico debe instalarse dejando una separación no inferior a 30 cm respecto a fuentes de calor tales como quemadores, hornos, calefacciones o estufas y no inferior a 5 cm con respecto a hornos eléctricos, evitando asimismo su exposición directa a la luz solar.
- i** La temperatura ambiente de la estancia donde instale el frigorífico no debe ser inferior a 50°F/ 10°C. A temperaturas inferiores, el frigorífico puede ver reducida su eficacia.
- i** Asegúrese de limpiar meticulosamente el interior del frigorífico.
- i** En caso de que vaya a instalar dos frigoríficos uno al lado del otro, debe dejar una separación no inferior a 2 cm entre ellos.
- i** Al utilizar el frigorífico por primera vez, siga las siguientes instrucciones referentes a las primeras seis horas.
 - No abra la puerta con frecuencia.
 - No deposite alimentos en el interior.
 - No desenchufe el frigorífico. En caso de corte del suministro eléctrico ajeno a su voluntad, consulte las advertencias de la sección "Sugerencias para la solución de problemas".
- i** Guarde el embalaje original para futuros traslados.
- i** Puesto que el aire caliente y húmedo no penetra directamente en su producto cuando las puertas no están abiertas, su producto se optimiza en condiciones suficientes para proteger sus alimentos. Las funciones y componentes como el compresor, ventilador, calentador, descongelador, iluminación, pantalla, etc. funcionarán de acuerdo con las necesidades de consumo mínimo de energía en estas circunstancias.



(B) Altura (cm/inch) sin paseó	172 - 67 3/4"
(A) Ancho (cm/inch) sin paseó	74 - 29 1/8"
(C) Profundidad (cm/inch) sin paseó (con	77- 30 1/4"

(B) Altura (cm/inch) paseó	182.6-28 3/8 "
(A) Ancho (cm/inch) paseó	81.3 -32 "
(C) Profundidad (cm/inch) paseó	77.6-30 1/2"

Peso bruto (Kg) / lbs	101.5 /223.3"
Peso muerto (Kg) / lbs	94.6 /208.1"



(B) Altura (cm/inch) sin paseó	172 - 67 3/4"
(A) Ancho (cm/inch) sin paseó	74 - 29 1/8"
(C) Profundidad (cm/inch) sin paseó (con	77 - 30 1/4"

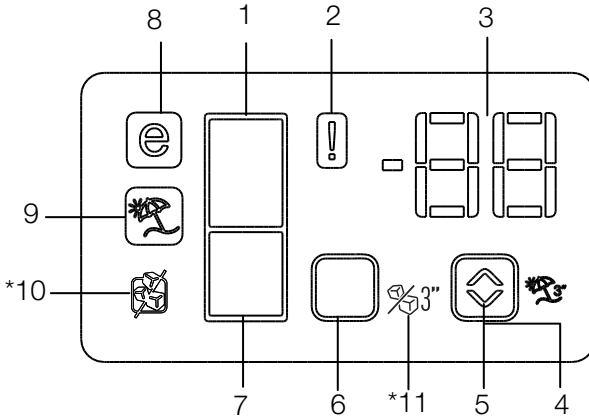
(B) Altura (cm/inch) paseó	182.6-28 3/8 "
(A) Ancho (cm/inch) paseó	81.3 -32 "
(C) Profundidad (cm/inch) paseó	77.6-30 1/2"

Peso bruto (Kg) / lbs	101.5 /223.3"
Peso muerto (Kg) / lbs	94.6 /208.1"

5 Uso del frigorífico

Panel indicador

Los paneles indicadores pueden variar dependiendo del modelo de aparato. Las funciones audiovisuales del panel indicador le ayudan a utilizar el aparato.



1. Indicador del compartimento frigorífico
2. Indicador de error
3. Indicador de temperatura
4. Botón del modo vacaciones
5. Botón de ajuste de la temperatura
6. Botón de selección de compartimento
7. Indicador del compartimento congelador
8. Indicador del modo ahorro
9. Indicador de la función de vacaciones
10. *Indicador de funcionamiento automático de la máquina de hielo automática
11. *Indicador de funcionamiento automático de la máquina de hielo automática

***opcional**

ⓘ Las ilustraciones incluidas en el presente manual de instrucciones son esquemáticas y puede que no se adecúen a su aparato con exactitud. Si alguno de los elementos reflejados no se corresponde con el aparato que usted ha adquirido, entonces será válido para otros modelos.

1. Indicador del compartimento frigorífico

La luz del compartimento frigorífico se enciende al ajustar la temperatura del compartimento frigorífico.

2. Indicador de error

Este indicador se activa si su frigorífico no enfría o suficiente o en caso de fallo de un sensor. Cuando este indicador se active, el indicador de la temperatura del compartimento congelador mostrará "E" y el indicador de temperatura del compartimento frigorífico mostrará números, por ejemplo "1,2,3...". Estos números proporcionan al personal de mantenimiento información acerca del error.

3. Indicador de temperatura

Indicador de temperatura del compartimento frigorífico y congelador.

4. Botón del modo vacaciones

Pulse el botón de vacaciones durante 3 segundos para activar esta función. Cuando la función de vacaciones está activa, aparece "- -" en el indicador de temperatura del compartimento frigorífico y este compartimento no enfría. Cuando esta función está activa no es adecuado conservar alimentos en el compartimento frigorífico. El resto de compartimentos seguirán refrigerados a la temperatura ajustada para ellos.

Para cancelar esta función, pulse de nuevo el botón **Vacaciones**.

5. Botón de ajuste de la temperatura

Cambia la temperatura del compartimento correspondiente en un rango de entre -24°C / -11 °F... -18°C / 0°F

6. Botón de selección de compartimento

Botón de selección: Pulse el botón de selección de compartimento para alternar entre el compartimento frigorífico y el compartimento congelador.

7. Indicador del compartimento congelador

La luz del compartimento frigorífico se enciende al ajustar la temperatura del compartimento congelador.

8. Indicador del modo ahorro

Indica que el frigorífico opera en el modo de ahorro de energía. Este indicador estará activo si la temperatura del compartimento congelador se fija en -18°C / 0°F.

9. Indicador de la función de vacaciones

Indica que la función de vacaciones está activa.

10.* Indicador de funcionamiento automático de la máquina de hielo automática

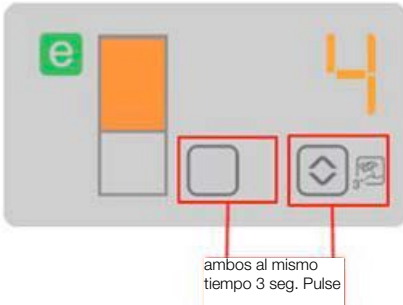
Este símbolo aparece en la pantalla al activar la función de cancelación de la formación de hielo

11.* Indicador de funcionamiento automático de la máquina de hielo automática

Presione el botón 6 durante 3 segundos para activar / desactivar el hielo.

Modo Sabbath:

Pulse los botones Seleccionar y Ajuste simultáneamente durante 3 segundos.

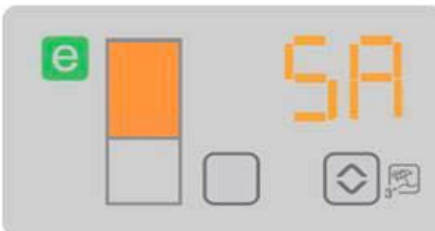


La pantalla no funciona en el modo Sabbath, no se activa la alarma de puerta abierta, y las luces no funcionan. El algoritmo de refrigeración específico del modo Sabbath está activado. En el modo Sabbath, el usuario debe presionar las teclas Seleccionar y Ajustar simultáneamente durante 3 segundos para desactivar el modo Sabbath. Una vez transcurridas 72 horas, el modo Sabbath finaliza automáticamente a menos que el usuario se desactive a sí mismo.

PS y 0 se alternan en la pantalla.



Pulse el botón "Ajuste" nueve veces para seleccionar "9" y pulse "Seleccionar" para confirmar "9". A continuación, la pantalla mostrará SA. El modo Sabbath está activado.



Aviso de puerta abierta

El frigorífico emitirá una señal acústica de aviso cuando la puerta del compartimento del frigorífico permanezca abierta más de un 1 minuto. Esta señal acústica cesará cuando se pulse cualquier botón del indicador o se cierre la puerta.

Doble sistema de enfriamiento:

Este frigorífico está equipado con dos sistemas de enfriamiento separados para enfriar el compartimento de alimentos frescos y el compartimento del congelador. De este modo, no se mezclan el aire del compartimento de alimentos frescos y el aire del compartimento del congelador. Gracias a estos dos sistemas de enfriamiento independientes, la velocidad de enfriamiento es muy superior a la de otros frigoríficos. No se mezclan los olores de los compartimentos. Además, se obtiene un ahorro de energía adicional porque el desescarche se realiza individualmente.

Congelación de alimentos frescos


- Los alimentos deben dividirse en porciones basadas en las necesidades de consumo de la familia.
- * Los alimentos deben empaquetarse herméticamente para evitar que se sequen, incluso aunque vayan a guardarse durante poco tiempo.
- Los materiales utilizados para empaquetar alimentos deben ser a prueba de desgarrones y resistentes al frío, a la humedad, los olores, los aceites y los ácidos, y además deben ser herméticos. También deben estar bien cerrados y estar hechos de materiales fáciles de utilizar y aptos para su uso en congeladores.
- Los alimentos que vayan a ser congelados deben depositarse en el compartimento congelador. (No deje que entren en contacto con los alimentos previamente congelados para evitar que éstos puedan descongelarse parcialmente. La capacidad de congelación del aparato se menciona en las especificaciones técnicas del mismo).
- Respete estrictamente los tiempos de conservación de alimentos congelados que encontrará en el apartado de información sobre la congelación.
- Consuma inmediatamente los alimentos recién descongelados, y en ningún caso los vuelva a congelar.
- Para obtener los mejores resultados, se deben tener en cuenta las siguientes instrucciones.
 1. No congele cantidades demasiado grandes de una sola vez. La calidad de los alimentos se conserva mejor si la congelación alcanza su interior lo antes posible.

Ajuste del compartimento congelador	Ajuste del compartimento frigorífico	Explicaciones
-18°C/0°F	4°C/39°F.	Estos son los valores de uso recomendados.
-20°C/-4°F	3°C/37°F.	Se recomiendan estos valores cuando la temperatura ambiente rebasa los 86°F/30°C.
Congelación rápida	4°C/39°F.	Se utiliza para congelar los alimentos rápidamente. El frigorífico volverá a su modo de funcionamiento previo una vez finalizado el proceso.
-18°C/0°F omás frío	3°C/37°F.	Si cree que el compartimento frigorífico no está suficientemente frío debido a las altas temperaturas ambientales o por la frecuente apertura y cierre de la puerta.
-18°C/0°F omás frío	Refrigeración rápida	Puede utilizarlo cuando haya un exceso de carga en el compartimento o bien si desea enfriar sus alimentos rápidamente. Se recomienda activar la función de enfriamiento rápido 4-8 horas antes de colocar los alimentos.
-15°C/5°F	4°C/39°F	Utilice este ajuste del congelador si utiliza el congelador principalmente para almacenar helados.

Recomendó el uso de Temperature: FF: 4°C /40 °F Frz : -18°C/0 °F

- Si se introducen alimentos calientes en el compartimento congelador, se obliga al sistema de enfriamiento a funcionar de forma continua hasta congelarlos totalmente.
- Ponga especial cuidado en no mezclar alimentos ya congelados con alimentos frescos.

Recomendaciones para la conservación de alimentos congelados

- Los alimentos congelados ya envasados disponibles en los comercios deben almacenarse de acuerdo con las instrucciones de su fabricante respecto de la conservación en un compartimento congelador de  (4 estrellas).

- Si desea garantizar el mantenimiento de la calidad de los alimentos congelados proporcionada por el fabricante y por el comercio, tenga en cuenta lo siguiente:
 - Coloque los paquetes de alimentos congelados en el congelador lo antes posible tras su compra.
 - Asegúrese de que todos los contenidos tengan etiqueta y fecha.
 - Respete las fechas de "Usar antes de" o "Consumir antes de" indicadas en los envases.

Si se produce un corte de corriente, no abra la puerta del congelador. Incluso si el corte de corriente tiene una duración superior al "Tiempo de aumento de temperatura" indicado en la sección de las "Especificaciones técnicas de su frigorífico", los

alimentos congelados se verán afectados. En caso de que la avería dure más, deberá comprobar el estado de los alimentos y en los casos necesarios consumirlos inmediatamente o bien cocinarlos y posteriormente volverlos a congelar.

Deshielo

El compartimento del congelador se deshiela de manera automática.

Colocación de los alimentos

Estantes del compartimento congelador	Alimentos congelados diversos tales como carnes, pescados, helados, verduras, etc.
Huevera	Huevos
Estantes del compartimento refrigerador	Alimentos en cazuelas, platos cubiertos y recipientes cerrados
Estantes de la puerta del compartimento refrigerador	Alimentos o bebida en envases pequeños (leche, zumos de frutas, cerveza, etc.)
Cajón de frutas y verduras	Verduras y frutas
Compartimento de alimentos frescos	Productos delicados (queso, mantequilla, embutidos, etc.)

Materiales necesarios para el empaquetado:

- Cinta adhesiva resistente al frío
- Etiquetas autoadhesivas
- Gomas elásticas
- Bolígrafo
- Los materiales utilizados para empaquetar alimentos deben ser a prueba de desgarrones y resistentes al frío, la humedad, los olores, los aceites y los ácidos.

No deje que los alimentos entren en contacto con alimentos previamente congelados, con el fin de evitar que éstos puedan descongelarse parcialmente.

Respete siempre los valores especificados en las tablas para los periodos de conservación.

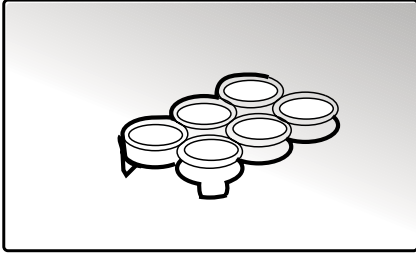
Consuma inmediatamente los alimentos recién descongelados, y en ningún caso los vuelva a congelar.

ADVERTENCIA

- Los alimentos deben dividirse en porciones basadas en las necesidades de consumo de la familia.
- Los alimentos deben empaquetarse herméticamente para evitar que se sequen, incluso si van a guardarse durante poco tiempo.

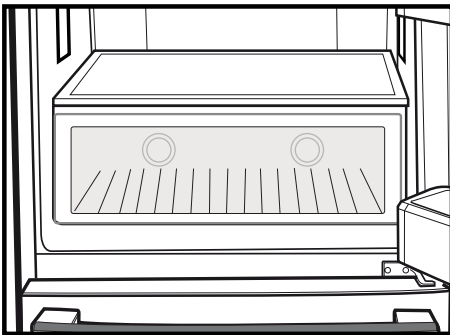
Bandeja para huevos

- Puede instalar la huevera en la puerta o en el estante que desee.
- Nunca deposite la huevera en el compartimento congelador.



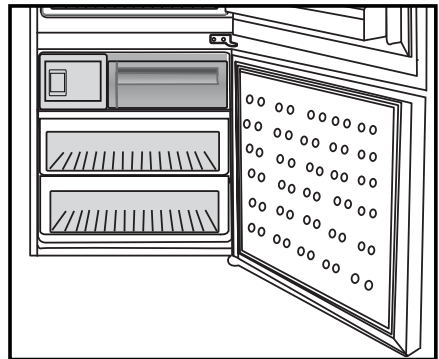
Luz azul

El efecto de la longitud de onda de la luz azul hace que los alimentos almacenados en el cajón de frutas y verduras prolonguen su proceso de fotosíntesis, conservando de esta manera su frescura e incrementando su contenido vitamínico.



Máquina de hielo (en algunos modelos)

El sistema máquina de hielo le permite obtener hielo de su frigorífico con facilidad. Una vez realizada la conexión al sistema de suministro de agua, podrá retirar cubitos de hielo de la cubitera. Los primeros cubitos estarán disponibles al cabo de unas dos horas en la cubitera del sistema máquina de hielo ubicada en el compartimento congelador. No vierta agua en ella, ya que podría romperse. La cubitera no debe usarse para almacenar alimentos.

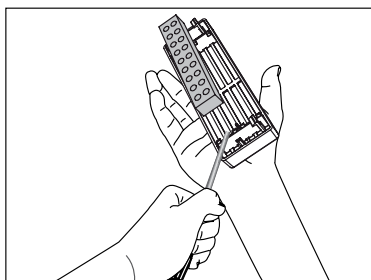
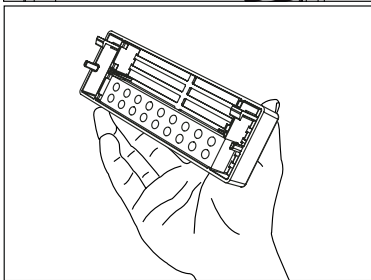
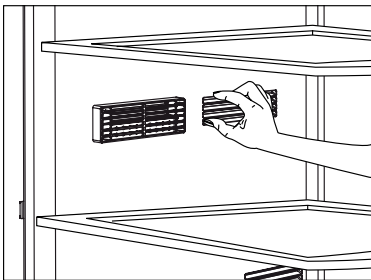


Descripción y limpieza del filtro antiolores:

El filtro antiolores evita la proliferación de olores desagradables en el interior del frigorífico.

Tire hacia abajo de la cubierta del filtro y retírela, tal como se muestra en la ilustración. Deje el filtro expuesto a la luz solar durante un día. El filtro se limpiará en este período de tiempo. Vuelva a colocar el filtro en su lugar.

El filtro antiolores debe limpiarse una vez al año.



Compartimento para verduras con control de humedad (EverFresh+)

***opcional**

La función del compartimento para verduras con control de humedad mantiene la humedad de frutas y verduras bajo control y permite que los alimentos frescos se mantengan frescos durante más tiempo.

Le recomendamos que coloque verduras tales como lechuga, espinacas y las que sean vulnerables a la pérdida de humedad de manera no vertical en sus raíces sino de manera horizontal de los compartimentos.

Cuando coloque las verduras tenga en cuenta su peso y coloque las pesadas y las sólidas en la parte inferior y las ligeras y blandas en la parte superior.

No deje las verduras dentro de bolsas de plástico en los compartimentos.

Si deja las verduras en bolsas de plástico, se estropearán en muy poco tiempo. Si es necesario separar las verduras debido a fines higiénicos, entonces use materiales de embalaje de papel poroso en vez de bolsas de plástico.

No coloque frutas -principalmente manzanas y también peras, albaricoque, melocotones, etc. que produzcan gas etileno con otras frutas-verduras en el mismo compartimento. El etileno producido por estas frutas hará que otras frutas y verduras maduren rápidamente y se estropeen en poco tiempo.

6 Mantenimiento y limpieza

- ⚠ No utilice nunca gasolina, benceno o sustancias similares para la limpieza.
- ⚠ Le recomendamos desenchufar el aparato antes de proceder a su limpieza.
- ❗ No utilice nunca para la limpieza instrumentos afilados o sustancias abrasivas, jabones, limpiadores domésticos, detergentes ni ceras abrillantadoras.
- ❗ En el caso de productos con sistema de enfriamiento cíclico o estático, se pueden producir gotas de agua y una capa de hielo en la pared trasera del compartimento del frigorífico. No lo limpie, nunca aplique aceite o agentes similares en el mismo.
- ❗ Utilice solo paños de microfibra ligeramente humedecidos para limpiar la superficie exterior del producto. Las esponjas u otro tipo de paños de limpieza pueden rayar la superficie.
- ❗ Limpie el armario del frigorífico con agua tibia y séquelo con un paño.
- ❗ Para limpiar el interior, utilice un paño humedecido en un vaso grande de agua con una cucharadita de bicarbonato sódico disuelta y séquelo con un trapo.
- ⚠ Asegúrese de que no penetre agua en el alojamiento de la lámpara ni en otros elementos eléctricos.
- ⚠ Si no va a utilizar el frigorífico durante un periodo prolongado, desenchúfelo, retire todos los alimentos, límpielo y deje la puerta entreabierta.
- ❗ Compruebe regularmente los cierres herméticos de la puerta para asegurarse de que estén limpios y sin restos de alimentos.
- ❗ Para extraer las bandejas de la puerta, retire todo su contenido y, a continuación, simplemente empuje la bandeja hacia arriba desde su base.
- ❗ Nunca use agentes de limpieza o agua que contengan cloro para limpiar las superficies exteriores y los cromados del producto, ya que el cloro corroe dichas superficies metálicas.
- ❗ No utilice herramientas afiladas y abrasivas ni jabón, productos de limpieza domésticos, detergentes, gasolina, benceno, cera, etc., de lo contrario los sellos en las piezas de plástico se caerán y deformarán. Use agua tibia y un paño suave para limpiar y secar.

Protección de las superficies de plástico

- ❗ No deposite aceites líquidos o alimentos aceitosos en recipientes no cerrados ya que dañarán las superficies de plástico de su frigorífico. En caso de derrame de aceite sobre las superficies de plástico, limpie y enjuague con agua caliente la parte afectada de inmediato.

7 Sugerencias para la solución de problemas

Le rogamos compruebe la siguiente lista antes de llamar al servicio técnico. Ello puede ayudarle a ahorrar tiempo y dinero. Esta lista incluye problemas frecuentes no achacables a defectos en materiales o manufactura. Es posible que algunas de las características mencionadas no estén presentes en su producto.

El refrigerador no funciona

- ¿Está el frigorífico correctamente enchufado? Inserte el enchufe en la toma de corriente.
- ¿Están fundidos el fusible principal o el fusible del enchufe al cual ha conectado el frigorífico? Revise los fusibles.

Condensación en la pared lateral del compartimento refrigerador. (MULTI ZONE, COOL CONTROL y FLEXI ZONE)

- Condiciones ambientales muy frías. Frecuente apertura y cierre de la puerta. Nivel alto de humedad ambiental. Almacenamiento de alimentos que contienen líquidos en recipientes abiertos. Dejar la puerta entreabierta.
- Ponga el termostato a una temperatura más baja.
- Deje la puerta abierta durante menos tiempo o ábrala con menor frecuencia.
- Cubra los alimentos almacenados en recipientes abiertos con un material adecuado.
- Enjuague el agua condensada con un paño seco y compruebe si la condensación persiste.

El compresor no funciona

- El dispositivo térmico protector del compresor saltará en caso de un corte súbito de energía o de idas y venidas de la corriente, ya que la presión del refrigerante en el sistema de enfriamiento aún no se ha estabilizado.
- Su frigorífico se pondrá en marcha transcurridos unos 6 minutos. Llame al servicio técnico si su frigorífico no se pone en marcha transcurrido ese periodo.
- El frigorífico se encuentra en el ciclo de descongelación. Esto es normal en un frigorífico con descongelación automática. El ciclo de descongelación se produce de forma periódica.
- El frigorífico no está enchufado. Compruebe que el enchufe esté firmemente insertado en la toma de corriente.
- ¿Está la temperatura correctamente fijada? Hay un corte del fluido eléctrico. Llame a su electricista.

El frigorífico está en funcionamiento con frecuencia o durante periodos prolongados.

<ul style="list-style-type: none"> • Puede que su nuevo frigorífico sea más grande que el que tenía anteriormente. Esto es perfectamente normal. Los frigoríficos de mayor tamaño funcionan durante más tiempo. • Es posible que la temperatura ambiente de la estancia sea más alta. Esto es perfectamente normal. • Es posible que haya enchufado el frigorífico o bien lo haya cargado de alimentos recientemente. Puede que el frigorífico tarde unas dos horas en enfriarse por completo. • Es posible que recientemente haya depositado grandes cantidades de alimentos en el frigorífico. Los alimentos calientes pueden ocasionar que el frigorífico trabaje durante más tiempo hasta alcanzar la temperatura de almacenamiento seguro. • Es posible que las puertas se hayan abierto con frecuencia o que se hayan dejado entreabiertas por un tiempo prolongado. El aire caliente que ha penetrado en el frigorífico hace que éste funcione durante más tiempo. Abra las puertas con menos frecuencia. • Es posible que la puerta del compartimento frigorífico o congelador se haya dejado entreabierta. Compruebe que las puertas estén bien cerradas. • El frigorífico está ajustado a una temperatura muy baja. Ajuste la temperatura del frigorífico a un valor más alto y espere a que se alcance dicha temperatura. • La junta de la puerta del compartimento frigorífico o congelador puede estar sucia, desgastada, rota o no asentada correctamente. Limpie o sustituya la junta. Una junta rota o dañada hace que el frigorífico funcione durante más tiempo con el fin de mantener la temperatura actual.
<p>La temperatura del congelador es muy baja, mientras que la del frigorífico es correcta.</p>
<ul style="list-style-type: none"> • La temperatura del congelador está ajustada a un valor muy bajo. Ajuste la temperatura del congelador a un valor más elevado y compruebe.

<p>La temperatura del frigorífico es muy baja, mientras que la del congelador es correcta.</p>
<ul style="list-style-type: none"> • La temperatura del compartimento frigorífico está ajustada a un valor muy bajo. Ajuste la temperatura del frigorífico a un valor más elevado y compruebe.
<p>Los alimentos depositados en los cajones del compartimento frigorífico se están congelando.</p>
<ul style="list-style-type: none"> • La temperatura del compartimento frigorífico está ajustada a un valor muy bajo. Ajuste la temperatura del frigorífico a un valor más elevado y compruebe.
<p>La temperatura del congelador o el frigorífico es muy alta.</p>
<ul style="list-style-type: none"> • La temperatura del frigorífico está ajustada a un valor muy alto. El ajuste de la temperatura del frigorífico afecta a la temperatura del congelador. Cambie la temperatura del frigorífico o del congelador hasta que alcance un nivel suficiente. • Es posible que la puerta se haya quedado entreabierta. Cierre la puerta del todo. • Es posible que recientemente haya depositado grandes cantidades de alimentos en el frigorífico. Espere hasta que el frigorífico o el congelador alcance la temperatura deseada. • Es posible que el frigorífico haya sido enchufado recientemente. El enfriamiento completo del frigorífico lleva un tiempo debido a su tamaño.
<p>Puede escucharse un sonido parecido al tic tac de un reloj saliendo del frigorífico.</p>

• Este ruido procede de la electroválvula del frigorífico. La electroválvula garantiza el flujo de líquido refrigerante a través del compartimento, que puede ajustarse a temperaturas de enfriamiento o congelación así como llevar a cabo funciones de refrigeración. Esto es perfectamente normal y no es ninguna anomalía.

El nivel de ruidos propios del funcionamiento se incrementa cuando el frigorífico está en marcha.

• Las características de rendimiento del frigorífico pueden cambiar en función de las variaciones en la temperatura ambiente. Esto es perfectamente normal, no es ninguna avería.

Vibraciones o ruidos.

• El suelo no está nivelado ni es firme. El frigorífico oscila al moverlo lentamente. Compruebe que el suelo esté nivelado y sea firme y capaz de soportar el peso del frigorífico.
• El ruido puede deberse a los elementos guardados en el frigorífico. Tales objetos deben retirarse de la parte superior del frigorífico.

Pueden oírse ruidos como si un líquido se derramara o se pulverizara.

• Los líquidos y gases fluyen de acuerdo con los principios de funcionamiento del frigorífico. Esto es perfectamente normal, no es ninguna avería.

Puede oírse un ruido parecido al viento.

• Se utilizan ventiladores con el fin de hacer que el frigorífico se enfríe con eficiencia. Esto es perfectamente normal, no es ninguna avería.

Condensación en las paredes interiores del frigorífico.

• El tiempo cálido y húmedo favorece la formación de hielo y la condensación. Esto es perfectamente normal, no es ninguna avería.

• Las puertas están entreabiertas. Asegúrese de que las puertas estén completamente cerradas.

• Es posible que las puertas se hayan estado abriendo con frecuencia o que se hayan dejado abiertas durante un periodo prolongado. Abra las puertas con menor frecuencia.

Hay humedad en el exterior del frigorífico o entre las puertas.

• Puede que haya humedad ambiental. Esto es perfectamente normal en climas húmedos. Cuando el grado de humedad descienda, la condensación desaparecerá.

Mal olor en el interior del frigorífico.

• El interior del frigorífico debe limpiarse. Limpie el interior del frigorífico con una esponja empapada en agua caliente o agua con gas.

• Es posible que el olor provenga de algún recipiente o envoltorio. Utilice otro recipiente o materiales para envolver de una marca diferente.

La puerta (o puertas) no se cierra.

• Puede que los paquetes de alimentos depositados no dejen que las puertas se cierren. Recoloque los paquetes que estén obstruyendo la puerta.

• Es probable que el frigorífico no esté en posición completamente vertical sobre el suelo y que oscile si se lo mueve ligeramente. Ajuste los tornillos de elevación.

• El suelo no está nivelado o no es firme. Compruebe que el suelo esté nivelado y que sea capaz de soportar el peso del frigorífico.

Los cajones están atascados.

• Es posible que algún alimento toque el techo del cajón. Cambie la distribución de los alimentos en el cajón.

Si la superficie del producto está caliente

• Pueden observarse altas temperaturas entre las dos puertas, en los paneles laterales y en la parrilla trasera mientras el producto esté en funcionamiento. Se trata de algo normal y no requiere mantenimiento del servicio.

 **ADVERTENCIA:**

- Este producto puede exponerlo a productos químicos incluido el níquel (metálico) que se conoce en el Estado de California como causante de cáncer.
- Para más información, visite www.p65warnings.co.gov
- Nota: El níquel es un componente en todo acero sin satinar y algunos otros componentes metálicos.

DECLARACIÓN DE LA GARANTÍA PARA LOS REFRIGERADORES BEKO

Las garantías proporcionadas por Beko en estas declaraciones se aplican solamente a los refrigeradores Beko vendidos al comprador o propietario original en Estados Unidos y Canadá. La garantía no es transferible. Para obtener el servicio de la garantía, comuníquese con nuestro distribuidor más cercano, según se indican por estado y provincia. Necesitará el número de modelo, el número de serie, y el nombre y dirección del vendedor de su refrigerador, donde lo compró y la fecha de compra /fecha de instalación. Esta garantía le otorga derechos legales específicos y también puede tener otros derechos, que varían según el estado. También, asegúrese de registrar su producto para la garantía en www.beko.us

2 años (*) de garantía total a partir de la fecha de la primera instalación

Beko reparará o reemplazará sin ningún costo para el consumidor las piezas defectuosas del refrigerador si se utilizó bajo condiciones de electrodoméstico normal (la **garantía se anula si este producto se usa de forma comercial, por ejemplo en un hotel, hogar de ancianos, etc.**) A la reparación la debe realizar una agencia de servicio autorizada de Beko. (Los defectos cosméticos se deben informar en un plazo de 10 días hábiles a partir de la instalación). La garantía de 2 años de los accesorios es para las piezas solamente y no incluye la mano de obra.

3 a 5 años (*, **) de garantía limitada a partir de la fecha de la primera instalación

(para las piezas solamente de 3 a 5 años) Beko reparará o reemplazará cualquier compresor, evaporador, condensador o secadora sin costo para el consumidor si los defectos en el material o la mano de obra causaron daños o fallas en estos componentes.

El refrigerador se debe haber usado bajo condiciones normales de electrodoméstico y no de manera comercial (los cargos por mano de obra son responsabilidad del consumidor).

Exención de las garantías y exclusiones:

La garantía no cubre los costos de reparación por parte de un agente de servicio autorizado para corregir la instalación, los problemas eléctricos o la instrucción educativa sobre el uso del refrigerador. La garantía tampoco cubre los defectos o daños causados por casos fortuitos (como tormentas, inundaciones, incendios, aludes, etc.), los daños causados por el uso del refrigerador para fines que no son para los que se diseñó, tampoco el mal uso, abuso, accidente, alteración, instalación incorrecta, mantenimiento, cargos de traslado, llamadas al servicio fuera de las horas de trabajo normales, recolección y entrega, cualquier pérdida de comida debido a la falla del producto, trabajo de reparación no autorizado o reparadores.

Este producto está completamente probado y pasó las inspecciones de control de calidad oficiales antes de dejar el sitio de fabricación original. Los términos de la garantía para este electrodoméstico Beko no son válidos si un distribuidor autorizado, reparador, vendedor de terceros, revendedor u otra persona autorizada altera, modifica o coloca piezas adicionales en el producto y vuelve a empaclarlo.

EN LA MEDIDA PERMITIDA POR LA LEY, ESTA GARANTÍA SUSTITUYE TODAS LAS OTRAS GARANTÍAS EXPRESAS E IMPLÍCITAS INCLUIDAS LAS GARANTÍAS IMPLÍCITAS DE COMERCIABILIDAD Y APTITUD PARA UN FIN PARTICULAR. BEKO NO ASUME NINGUNA RESPONSABILIDAD POR LA CALIDAD DE ESTE PRODUCTO EXCEPTO LO INDICADO EN ESTA DECLARACIÓN DE GARANTÍA. BEKO NO SE HACE RESPONSABLE DE QUE EL PRODUCTO SE ADAPTE A ALGÚN FIN PARTICULAR PARA EL QUE USTED PUEDA COMPRAR ESTE PRODUCTO, EXCEPTO PARA LO INDICADO EN ESTA DECLARACIÓN DE GARANTÍA.

Beko no asume ninguna responsabilidad por los daños incidentales o resultantes. Esos daños incluyen, entre otros, pérdidas de ganancias, pérdidas de ahorros o ingresos, pérdidas del uso del refrigerador o cualquier otro equipo asociado, costos de capital, costos de cualquier equipo sustituto, instalaciones o servicios, tiempo de inactividad, reclamos de terceros y daños en la propiedad. Algunos estados no permiten la exclusión o limitación de los daños incidentales o resultantes, por lo tanto las anteriores limitaciones o exclusiones pueden no aplicarse en su caso.

(*)La fecha de instalación debe ser la fecha de compra o 5 días hábiles después de la entrega del producto al hogar, lo que ocurra después.

(**) Las piezas reemplazadas asumirán la identidad de las piezas originales + su garantía original.

Ninguna otra garantía. Esta Declaración de la garantía es la garantía completa y exclusiva del fabricante. Ningún empleado de Beko o cualquier otra parte está autorizado a realizar declaraciones de la garantía además de las que aparecen en esta Declaración de la garantía.

Guarde esta tarjeta de la garantía, el manual del usuario y el recibo de la venta para referencia futura.

CÓMO OBTENER SERVICIO

Contacte con su distribuidor autorizado Beko local, o llame a nuestro número gratuito de atención al cliente en el 1-888-352 BEKO (2356) para obtener la dirección de un agente de servicio técnico autorizado por Beko o contacte mediante la web <http://www.beko.us>. También puede buscar una lista de distribuidores autorizados en la sección "Dónde comprar" en el sitio web para obtener más referencias.