

## 24 INCH PRO-STYLE TOP CONTROL DISHWASHER

DDT29430XP



### Main Features

- 14 place settings
- 9 programs
- 40 dBA silent operation
- ENERGY STAR®
- Aqualtense
- IonGuard
- ProSmart Inverter Motor
- Ultimate Glass Care
  - SteamGloss
  - Auto Glass Shield
  - Glass Care (110F program)
- AquaFlex
- Auto tablet function
- Flow through heater
- Turbo fan drying
- 5 level wash
- 3way euro filtering system
- Inner illumination
- Built-in water softener
- NSF Certified Function
- Built-in high loop with air gap
- Stainless steel tank
- Fingerprint-free stainless steel

### Flexible Baskets

- Flexible upper rack
- Height adjustable upper rack
- Sliding cutlery basket
- Removable 3rd rack
- Lower rack full folding tines
- 13" plate dimension

### Dimensions

H x W x D: 33 7/8" x 23 9/16" x 22 1/2"

CONTROLS	DDT29430XP
Control Type	Electronic
Position	Top
MAIN FEATURES	
Loading Capacity (place settings)	14
Tub material	Stainless Steel
Inner door material	Stainless Steel
Interior illumination	Yes
Water Softener	Yes
DMSF overflow protection	Yes
5 level wash with 3rd spray arm	Yes
Delay timer up to 1-24 hour	Yes
3-way euro filter	Yes
Drying	Turbo Fan
ProSmart Inverter motor	Yes
Turbidity sensor	Yes
Silence level, dBA	40dBA
InnerClean	Yes
Autotablet function	Yes
1/2 load function	Yes
Sanitize function	Yes
Super rinse function	No
SteamGloss function	Yes
Fast function	No
Aqualtense function	Yes
IonGuard	Yes
Interior high loop with airgap	Yes
Power plug	Yes
PROGRAMS	
Number of programs	9
Scrub with Aqualtense	Yes
Heavy Plus (167F rinse temp.)	No
Heavy (158F rinse temp.)	Yes
Auto program (131F-149F rinse temp.)	Yes
AquaFlex	Yes
Normal (142F-145F rinse temp.)	Yes
Clean & Shine	No
Delicate (149F rinse temp.)	Yes
Glass Care	Yes
Express (131F rinse temp.)	Yes
Rinse & Hold	Yes
DISPLAY	
Program sequence	Yes/Digital Display
Rinse aid indicator	Electronic
Rinse aid indicator display	Yes
Salt indicator display	Yes
Light indicator on Floor	Yes
RACK SYSTEM	
Easy fold lower rack folding tines	Yes
Lower rack embossed stainless handle	Yes
Cutlery basket	Sliding
Upper rack (inset shelves)	4
Easy fold upper rack folding tines	Yes
Acrobat system adjustable upper rack	Loaded
Multipurpose removable 3rd rack	Yes
Lower basket wine glass holder	No
Nylon coated racks	Yes
DIMENSIONS	
HxWxD, in.	33 7/8" x 23 9/16" x 22 1/2"
Product weight, lbs. <	99
HxWxD, cm	86.1 x 59.8 x 57
Product weight, kg	45
ENVIRONMENTAL STANDARDS	
ENERGY STAR® qualified	Yes
Energy consumption, kWh/year	256
Water consumption, gal/cycle	2.4 - 4.7
RoHS compliant (Lead free)	Yes

# 24 INCH PRO-STYLE TOP CONTROL DISHWASHER

DDT29430XP

## Outstanding Features



### SilentTech (40 dBA)

Quiet talks over after-dinner coffee, book reports written at the kitchen table, movie night in the adjoining room, all made possible by Beko's SilentTech insulation technology. SilentTech suppresses dishwasher noise while extra insulation keeps heat in, for a high energy efficiency combination that really cleans up.



### AqualIntense

Why is it that your best kitchen creations also tend to be the messiest? Whether it's your cheesiest lasagna, darkest coffee, or other baked-on, dried-on, even burned-on foods, Beko has developed AqualIntense technology to power your dishes clean. Thanks to its power zone of intense water pressure and innovative 180° rotating spray arm with a 360° rotating head, AqualIntense provides up to five times better cleaning performance. So, forget washing your toughest dishes by hand, and start planning your next culinary delight instead.



### IonGuard

Adding dirty dishes to the dishwasher shouldn't mean revisiting last night's tuna surprise. That's why we developed IonGuard technology. IonGuard neutralizes and removes bad odors inside your dishwasher—without the use of harmful gases or chemicals. It's breakthrough technology that's a breath of fresh air.



### ProSmart Inverter Motor

There's no reason to sacrifice the serenity of your kitchen for a dishwasher cycle. Our advanced ProSmart Inverter Motor that helps power Beko's cleaning is twice as quiet as standard motors. Plus, it saves water and energy, so you can have some peace with your quiet.

# 24 INCH PRO-STYLE TOP CONTROL DISHWASHER

DDT29430XP

## Flexible Baskets

Flexible design allows you to alter your basket configuration and capacity for the most efficient dish loading, according to your daily needs.



### Flexible Upper Rack

Easy-fold glass supports and height-adjustable mug shelves accommodate different glass heights, mugs and espresso cups, all in one cycle.



### Removable 3<sup>rd</sup> Rack

This removable rack gives you extra capacity for cutlery and espresso cups while still allowing for tall glassware along the edges of the upper basket



### Height Adjustable Upper Rack

Raise the height of the upper basket to wash large plates below or lower it to accommodate tall glasses.

### 13" Plate Dimension

Generous interior space allows for plates as tall as 13".



### Sliding Cutlery Basket

For added flexibility, the sliding cutlery basket can be placed in any position along the front row of the lower rack.



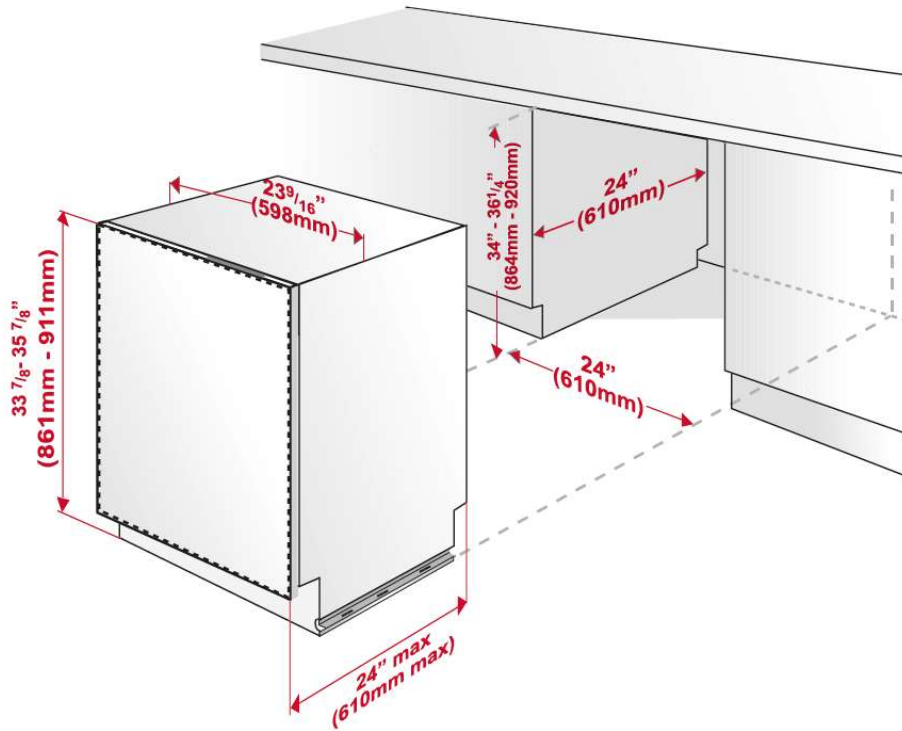
### Lower Rack Full Folding Tines

Full folding tines at lower basket provides you the required flat space to load your large pots & pans. You wash all your large pots and pans and they are cleaned thoroughly.

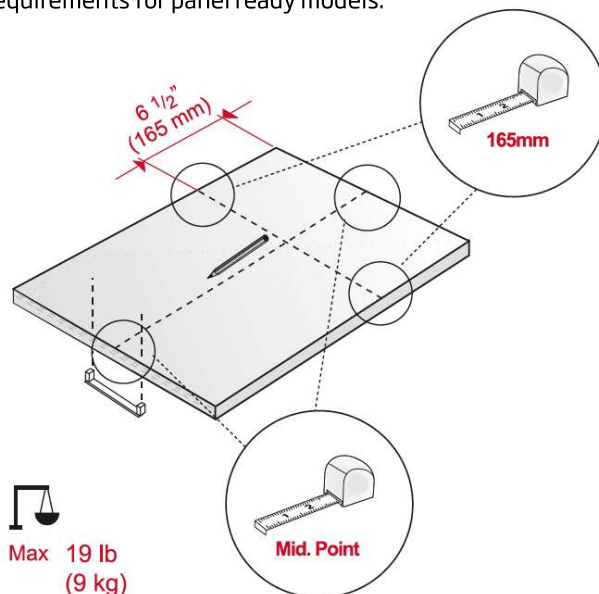
# 24 INCH PRO-STYLE TOP CONTROL DISHWASHER


DDT29430XP

## Dimensions and Installation



Panel requirements for panel ready models:




  
**Max 19 lb**  
**(9 kg)**

**NOTE TO THE INSTALLER:** All height, width and depth dimensions are shown in inches (as well as metric). Beko US Inc. reserves the absolute and unrestricted right to change product materials and specifications, at any time, without notice. Please visit our website [www.blombergappliances.us](http://www.blombergappliances.us) or call 888 352 2356 to verify the latest specifications with final dimensional data and other details prior to installation and making a cutout. Applicable product limited warranty information may be found in accompanying product materials or you may contact your account manager for further details. Proper installation is the responsibility of the installer. Product failure due to improper installation is not covered under the Limited Warranty.