

24 INCH FREESTANDING ELECTRIC RANGE

SLER24410SS / SLER24410B



Cooktop

4 electric cooking zones
Residual heat indicator

Range

True European Convection
Large oven capacity 2.51 cu. ft.
Programmable electronic timer
Pull out storage drawer
2 Wire Oven Racks
Easy to remove side racks
Easy to clean gray enamel
Interior lighting
Adjustable feet

Accessories

Side trim kit optional
Island trim included
Splash back optional

Dimensions

H x W x D: 36" x 23 9/16" x 25 3/4"
Height is without island trim
Depth includes knobs & handle

| GENERAL | SLER24410SS |
|--------------------------------------|------------------------------------|
| Type | Freestanding |
| Size | 24" |
| Color | Stainless Steel |
| Side Walls | Black |
| Control type | Electronic touch control timer |
| FUNCTIONS | |
| Multi-dimensional Cooking | No |
| Convection Cooking | Yes |
| Bottom Heater | Yes |
| Convection | Yes |
| Broiler | No |
| Broil | Electric |
| Convection broiler | No |
| Convection roast | Yes |
| True European convection | Yes |
| SPECIAL FEATURES | |
| 12/24-hour clock format | No |
| Splash Back | Optional |
| Island Trim | Standard |
| Simmering | No |
| Cooling Fan | Yes |
| Cavity Enameling Color | Black |
| Oven Lights | 1 x Round light (Rear) |
| Adjustable Feet | Yes |
| Anti-tip (tilting) bracket | Yes |
| Bottom Compartment | Storage drawer |
| Fuel Type | Electric |
| OVEN DOOR(S) | |
| Oven Glass Window | Full Glass |
| Door Cooling System | 3 Pane Heat Resistant Glass(fixed) |
| Net Capacity cu. ft. | 2.51 cu. ft. |
| Bottom Heating Element Wattage | 1200W |
| Upper Heating Element Wattage | 2200W |
| Convection Element Wattage | 1800W |
| Low Grill (Broil) | 1100W |
| Grill (Broil) | 2200W |
| ACCESSORIES / OVEN CAVITY | |
| Rack Positions | 5 levels |
| Telescopic Pull-out Shelf System | No |
| Pyrolytic Self Cleaning | No |
| Sabbath Mode | No |
| Broiler Pan | No |
| Chromed racks | 2 |
| COOKTOP | |
| Zone Configuration | 4 Vitroceramic |
| Front Left | 5"/8" - 750/2,200W Dual |
| Rear Left | 6" - 1,500W |
| Front Right | 6" - 1,200W |
| Rear Right | 7" - 1,800W |
| DIMENSIONS/WEIGHT | |
| Required cutout dim (H x W x D) (in) | 36" X 24" x 24" |
| Overall dim - height | 36" |
| Overall dim - width | 23 9/16" |
| Overall dim - depth | 25 3/4" |
| Net weight (lb./kg) | 149.5 lbs. /67.8 kilograms |
| POWER / RATINGS | |
| KW/Amps rating at 240V, 60Hz | 120-240V 60Hz |
| Supply Cord & Plug | No |
| Cable | No |
| COLOR OPTIONS | |
| Stainless Steel | SLER24410SS |
| Black | SLER24410B |

24 INCH FREESTANDING ELECTRIC RANGE

SLER24410SS / SLER24410B

Outstanding Features

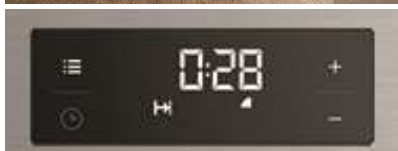


True European Convection

For faster baking and broiling, True European Convection utilizes an innovative heated fan system to distribute heat evenly throughout the oven.

Large Oven Capacity

Beko's oven interiors are among the most spacious in their class. Beko 24 inch ranges offers a generous 2.51 cu. ft. interior volume and you'll have more than enough room to cook your family meals.



Programmable Electronic Timer

Beko ranges feature electronic timers that show the time of day and allow you to preset the start time, duration, or end of cooking. When the set cooking time ends, the oven switches itself off automatically.



Easy to Clean Gray Enamel

Beko 24-inch oven cavities are coated with a long-lasting, nonporous, gray enamel finish that is not only attractive but also extremely easy to clean. Just a simple wipe with a damp cloth is all it takes to remove fresh spills and keep your oven looking like new.



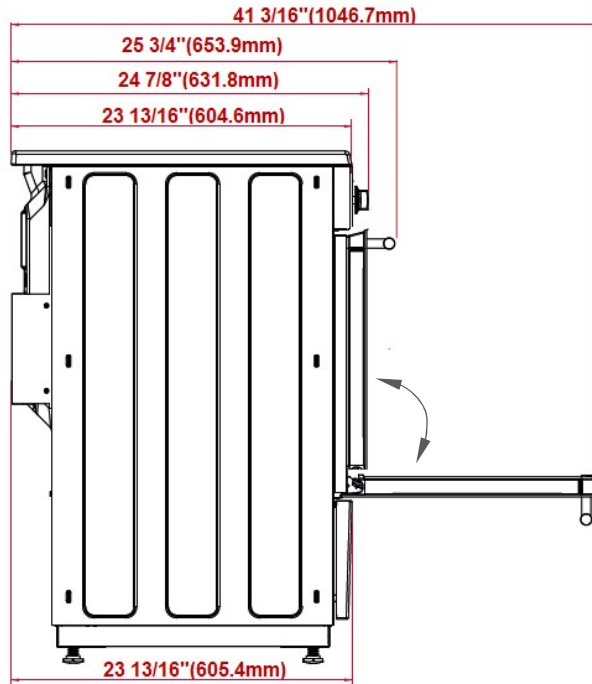
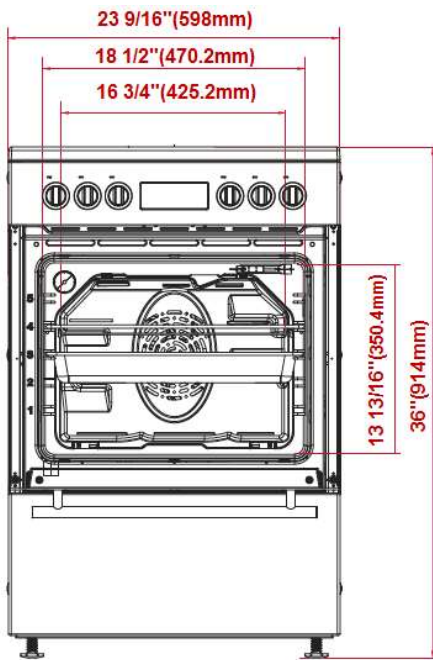
Interior Lighting

For full visibility while baking, braising, and roasting, Beko ovens feature bright interior lighting, including cylindrical lamps placed on the rear wall, and a non-reflective enamel surface that reduces glare on the glass oven door.

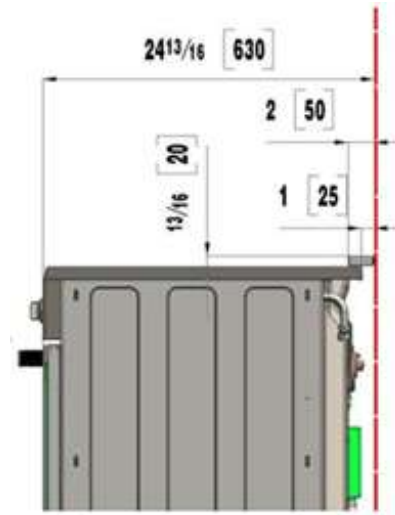
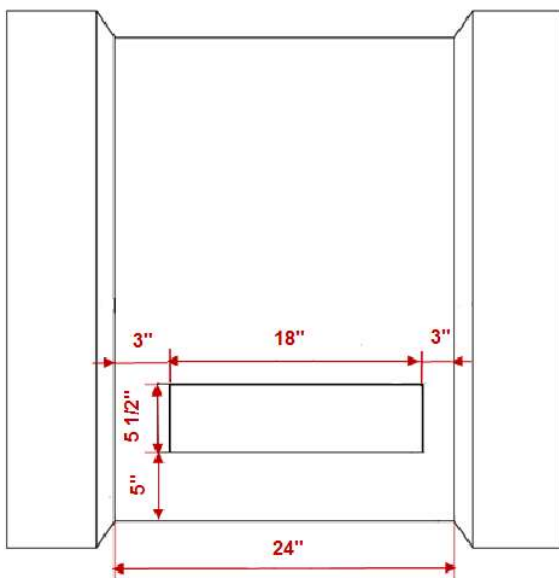
24 INCH FREESTANDING ELECTRIC RANGE

SLER24410SS / SLER24410B

Dimensions and Installation



Cabinet



Island trim: standard comes with the range un-attached.
4" High Stainless Splash Back (optional)

Required minimum air gap clearances: 1/4" sides

NOTE TO THE INSTALLER: All height, width and depth dimensions are shown in inches (as well as metric). Beko US Inc. reserves the absolute and unrestricted right to change product materials and specifications, at any time, without notice. Please visit our website www.blombergappliances.us or call 888 352 2356 to verify the latest specifications with final dimensional data and other details prior to installation and making a cutout. Applicable product limited warranty information may be found in accompanying product materials or you may contact your account manager for further details. Proper installation is the responsibility of the installer. Product failure due to improper installation is not covered under the Limited Warranty.