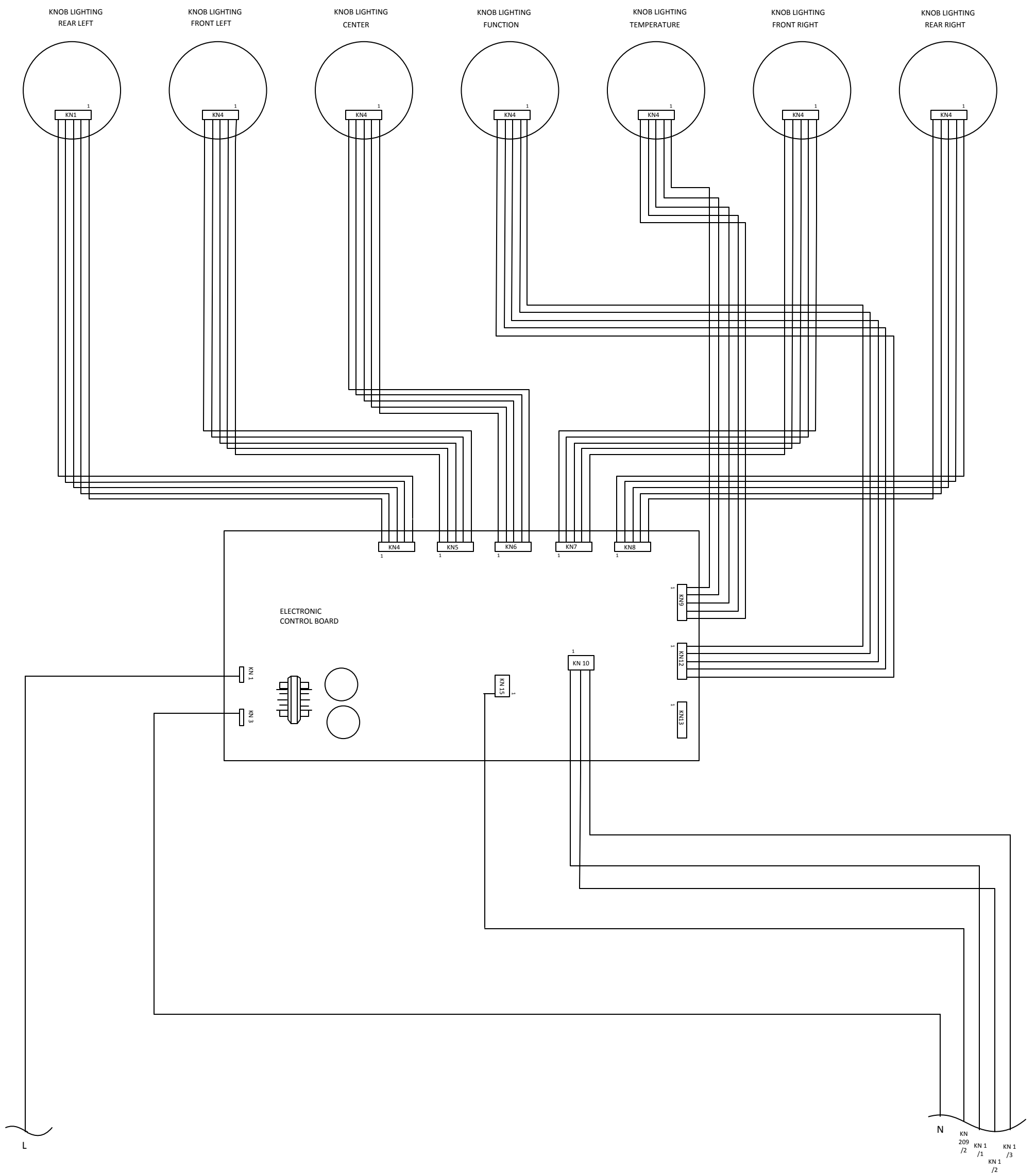


# SCHEMATIC DIAGRAM

## LED INDICATOR LIGHTING

**WARNING** Caution: Label all wires prior to disconnection when servicing controls. Wiring errors can cause improper and dangerous operation. Verify proper operation after servicing.



**SCHEMATIC DIAGRAM**

**WARNING** POWER MUST BE DISCONNECTED BEFORE SERVICING THE APPLIANCE

