

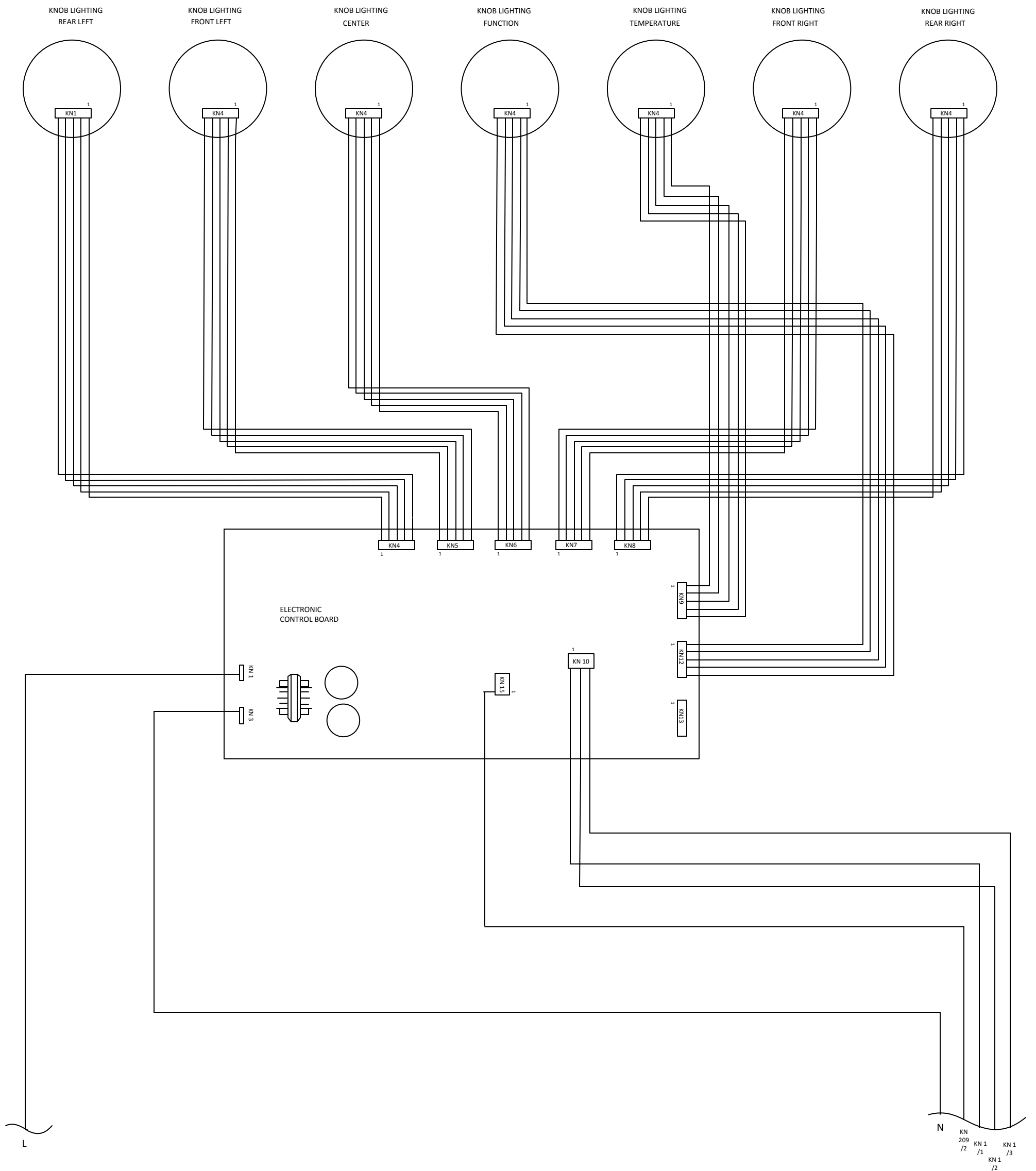
SCHEMATIC DIAGRAM

LED INDICATOR LIGHTING



WARNING

Caution: Label all wires prior to disconnection when servicing controls. Wiring errors can cause improper and dangerous operation. Verify proper operation after servicing.



SCHEMATIC DIAGRAM

WARNING Caution: Label all wires prior to disconnection when servicing controls. Wiring errors can cause improper and dangerous operation. Verify proper operation after servicing.

